

G 系列减速电机

G Series Geared Motor

产品样本 CATALOGUE NO.001
版本 VERSION V3.1-2020

产品总览

NO.001 G 系列减速电机



NO.002 摆线针轮减速机



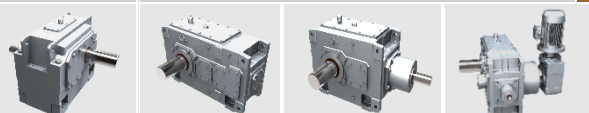
NO.003 ZY 系列圆柱齿轮减速机



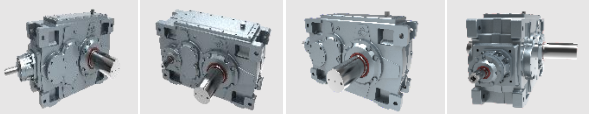
NO.003.B DBY/DCY 系列圆锥圆柱齿轮减速机



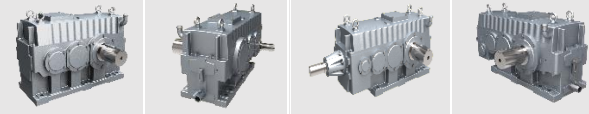
NO.004 PV 系列齿轮减速机



NO.004.B GPV 系列齿轮减速机



NO.005 GM 系列齿轮减速机



NO.005.B GMC 系列齿轮减速机



NO.006 橡塑专用减速机



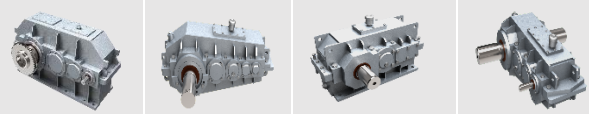
NO.007 GX 系列行星齿轮减速机



NO.010 重载齿轮箱

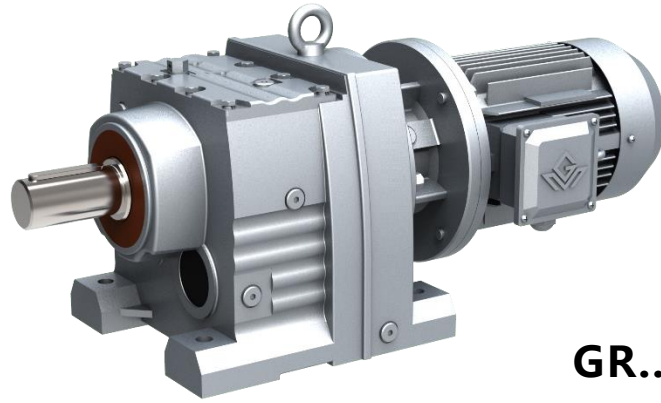


NO.012 起重专用减速机

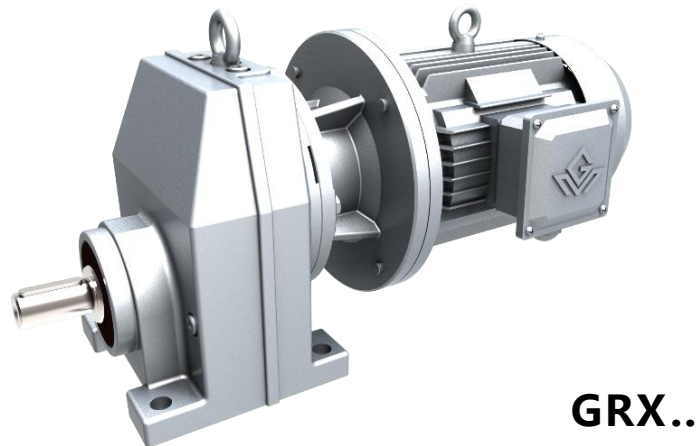
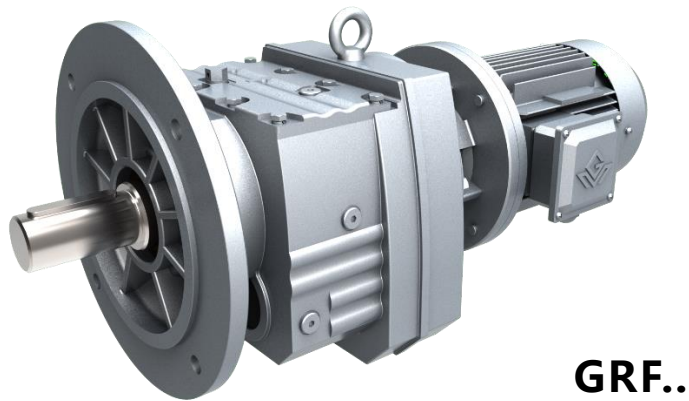


GR Series Helical Geared Motors

GR
系列



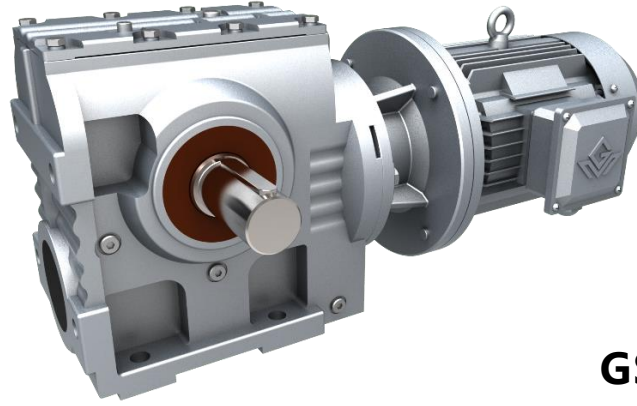
斜
齿
轮
减
速
电
机



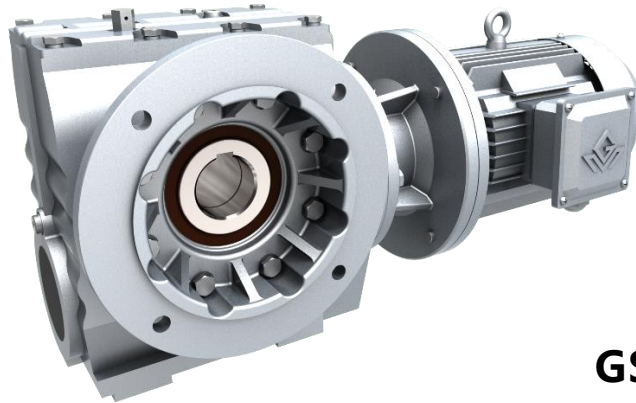
GS Series Helical-Worm Geared Motors

GS
系列

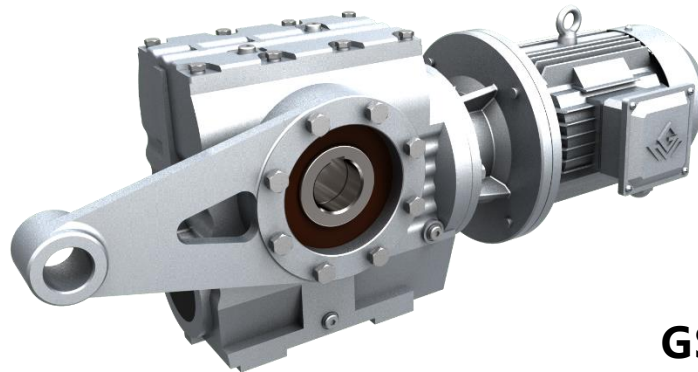
斜
齿
轮
—
蜗
轮
蜗
杆
减
速
电
机



GS..



GSAF..

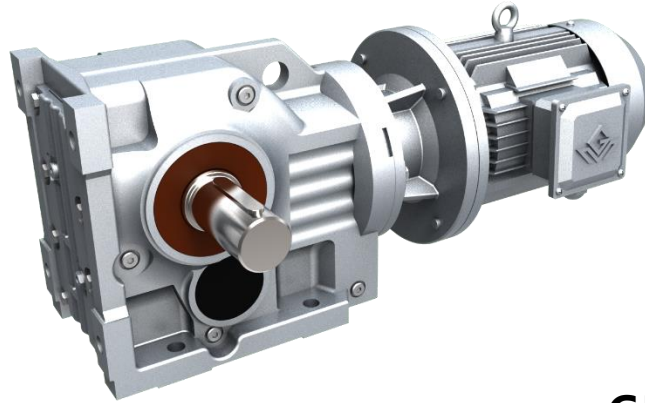


GSA/T..

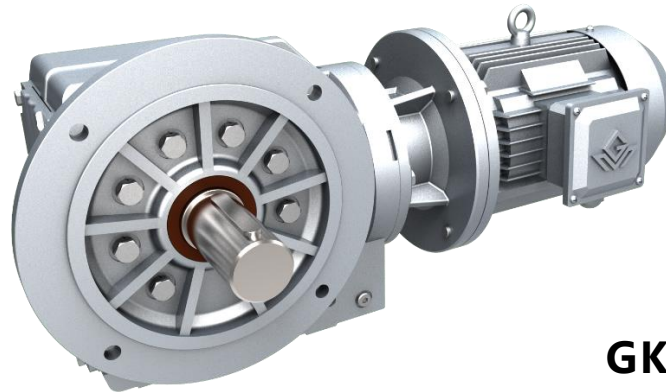
GK Series Helical-Bevel Geared Motors

GK
系列

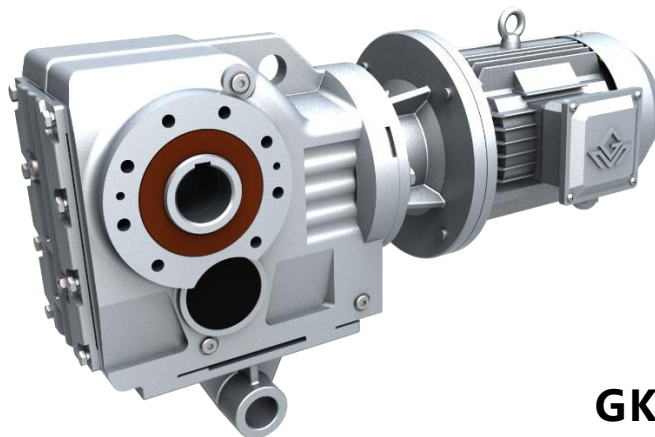
斜
齿
轮
—
弧
齿
锥
齿
轮
减
速
电
机



GK..



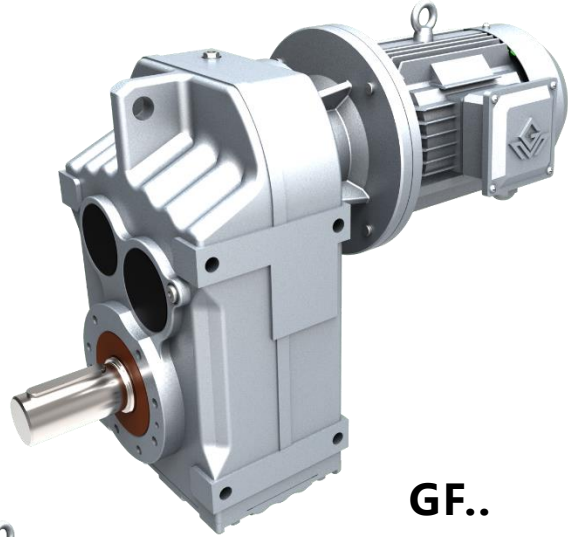
GKF..



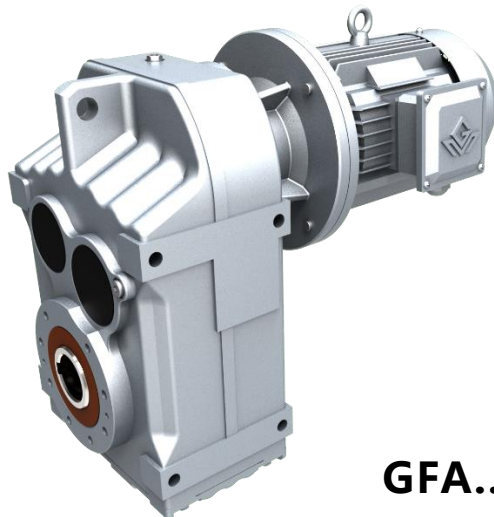
GKA/T..

GF Series Parallel-Shaft Helical Geared Motors

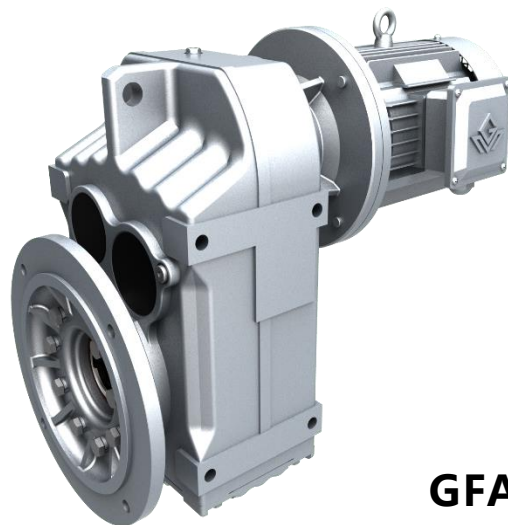
**GF
系列
平行轴
—斜齿
轮减
速电
机**



GF..



GFA..



GFAF..

目 录

产品特性 Features of Products	1
场所条件 Site Conditions	1
选型参数表释义 Description of Selection Tables	2
选型步骤 Selection Steps	3
轴向载荷 Axial Loads	9
输入轴载荷 Input Shaft Loads	9
偏离输出轴轴伸中心点的径向载荷校核 Overhung Load Conversion for Off-center Force Application	9
GRM..选型 Selection Procedure of GRM..	11
GR 系列 (图片) Type of GR Series (Pictures)	
GR 系列结构形式说明 Dimensional Description	R1
GR 系列机型号表示方法 Type Expression of GR Series	R2
GR 系列安装形式图例 Mounting Arrangements Description	R3
GR 系列选型参数表 Selection Table	R4
GR 系列安装结构尺寸 Mounting Dimensional Description	R43
GS 系列 (图片) Type of GR Series (Pictures)	
GS 系列结构形式说明 Dimensional Description	S1
GS 系列机型号表示方法 Type Expression of GR Series	S2
GS 系列安装形式图例 Mounting Arrangements Description	S3
GS 系列选型参数表 Selection Table	S4
GS 系列安装结构尺寸 Mounting Dimensional Description	S19
GK 系列 (图片) Type of GR Series (Pictures)	
GK 系列结构形式说明 Dimensional Description	K1
GK 系列机型号表示方法 Type Expression of GR Series	K2
GK 系列安装形式图例 Mounting Arrangements Description	K3
GK 系列选型参数表 Selection Table	K4
GK 系列安装结构尺寸 Mounting Dimensional Description	K32
GF 系列 (图片) Type of GR Series (Pictures)	
GF 系列结构形式说明 Dimensional Description	F1
GF 系列机型号表示方法 Type Expression of GR Series	F2
GF 系列安装形式图例 Mounting Arrangements Description	F3
GF 系列选型参数表 Selection Table	F4
GF 系列安装结构尺寸 Mounting Dimensional Description	F27
300 -600 吨叶轮给煤机专用减速机 300-600 Ton Impeller Coal Feeder Reducer	GYJS1
1000 -1500 吨叶轮给煤机专用减速机 1000-1500 Ton Impeller Coal Feeder Reducer	GYJS2
附录 A Appendix A	
附录 B Appendix B	
附录 C Appendix C	
附录 D Appendix D	

产 品 概 述

产品特性

- 1、高度模块化设计：**可以方便地配用各种型式的电动机或采用其它动力输入。同种机型可配用多种功率的电动机。容易实现各机型间组合联接。
- 2、传动比：**划分细，范围广。组合机型可以形成很大的传动比，即输出极低的转速。
- 3、安装形式：**安装位置不受限制。
- 4、强度高、体积小：**箱体采用高强度铸铁。齿轮及齿轮轴采用气体渗碳淬火精磨工艺，因而单位体积承载能力高。
- 5、使用寿命长：**在正确选型（包括选用适当的使用系数）和正常使用维护的条件下，减速机（除易损件外）的主要零部件寿命一般不低于 25000 小时。易损件包括润滑油、油封以及轴承。
- 6、噪声低：**减速机主要零部件都经过精密加工，并通过精心组装和测试，因而减速机噪声较低。
- 7、效率高：**单机型齿轮效率不低于 95%，蜗轮蜗杆效率能达到 89%。
- 8、可承受较大的径向载荷。**

场所条件

本减速电机适合在环境温度-10℃到+40℃条件下运行，海拔高度可达 1000 米。

可用于正反转。

无行业限制。

在其它条件下使用时请与技术部联系。

Features of Products

- 1, Highly Standard Modular Designed:** The products are connected with and driven by different types of motors or other kinds of input power .The same type geared motor can be adapted to optioned powers of motors. It is therefore easy to realize different solutions for varied requirements.
- 2, Ratio:** Featured many closely divided ratios and wide ranges of them. Very big final ratios can be obtained through combined unites to reach extremely low output speeds.
- 3, Mounting Arrangement:** No strict limitation to the mounting arrangement.
- 4, High Strength, Compact Dimension:** Housings are made of high strength cast iron. Gears and shaft gears are finished with gas carburising process and precise grinding to sequentially get high loading capacity of per certain volume.
- 5, Long Service Life:** Under the conditions of accurately selecting type size and the normal maintenance and use, main components (except those easily-disabled parts) can last as long as up to more than 25,000 hours. Easily-disabled parts include lubricating oil, oil seals, and bearings.
- 6, Low Noise:** All key components are finished by precisely machining, accurate assembly, and finally tested, and therefore, fairly low noise is reached.
- 7, Highly Efficiency:** The efficiency of gear unit is more than 95%, The efficiency of worm gear unit can reach 89%.
- 8, Large Radial Loading Ability.**

Site Conditions

The geared motors are suitable for the operation sites in the ambient temperatures from -10℃ to 40℃ and altitudes up to 1000m above sea lever.

They can be used both for clockwise running and anticlockwise running.

There is no limitation to specific application field.

While applied in other aggressive operating atmosphere or environment conditions, please contact our technology department.

选型参数表释义

1、选型参数表 (恒功率):

电机功率 P [kW]: 表中列出的功率是按 GB/T 4772.1

旋转电机输出功率等级。

输出转速 n_a [r/min]: 即输出轴的转速。参考电机满载时的转速和减速机的传动比计算得出, 单位为转/分钟。

输出转矩 M_a [N.m]: 电机满载时, 减速机输出轴上可以产生的转矩。此输出转矩已考虑了减速机内部各种效率。

传动比 i : 减速机从输入到输出间总的实际 (精确) 传动比。

许用径向载荷 F_{Ra} [kN]: 标准实心输出轴轴头长度中点处, 或标准空心轴端部的许用径向载荷。

使用系数 f_B : 减速机额定功率与所配用的电机额定功率的比值。它是选择减速机规格的重要参数。

机型号: 即减速机的机型和规格号。有单机型和组合型两种。组合一般为恒功率条件下的组合。每种机型 (包括某些未列入此表中的同规格变型品种) 都可配备当前栏中所有传动比。其尺寸可查阅对应的安装结构尺寸图表。

电机极数: GB/T 4772.1 旋转电机极数。

2、选型参数表 (恒转矩):

恒转矩条件下较为合理的组合。按表中最大输出转矩计算时, 许用使用系数为 1。其它含义同恒功率。

Description of Selection Tables

1、 Selection Table (Constant Power):

Motor Power P [kW]: Power is indicated on the basis of GB/T 4772.1 motor.

Output Speed n_a [r/min]: Output speed is calculated on the basis of motor's fully loading speed and geared motor's ratio. Unit: revolutions per minute.

Output Torque M_a [N.m]: Torque available at output shaft while motor being fully loaded. All internal efficiency factors have already considered.

Ratio i : Exact final total transmission ratio input to output.

Permissible Radial Load F_{Ra} [kN]: Allowable radial load at the midpoint of the shaft head length of a standard solid output shaft, or at the end of a standard hollow shaft.

Service Factor f_B : The ratio of rated power of gear unit to rated power of motor power. It is an important parameter to select the reducer model.

Type Size of Unit: Including type and size. Individual unit and combined units are available. Combination is considered commonly under the constant power condition. Each type (and even some other types not mentioned in the tables) can be assembled or combined to any ratio mentioned in the tables.

For the detailed construction dimension, see the relevant dimensional tables.

Pole Number of Motor: The pole number of GB/T 4772.1 motor.

2、 Selection Table(Constant Torque):

Constant torque selection table is suitable for the conditions where the constant torque system is applied appropriately.

If the Max. torque listed in this table is used when calculating, service factor is 1.0 . The meanings of other terms are similar to ones described in Selection Table(Constant Power).

选型步骤

1. 机型的选用

G 系列减速电机由四种不同结构型式及其多种派生型组成。GR、GF 系列及其派生型，用于输入轴与输出轴平行的场合；GS、GK 系列及其派生型，用于输入轴与输出轴垂直的场合。

选型时一般先根据安装要求选择合适的机型系列。如，要求输入轴与输出轴垂直，可选择 GK 或 GS 系列。

2. 总工况系数 f_A 的确定

总工况系数：

$$f_A = f_{Ah} \times f_{Ac} \times f_{At} \times f_{An}$$

总工况系数由工作机的多项因素构成，可根据工作机情况进行取舍或增加项目。

1)、 f_{Ah}

f_{Ah} 由工作机载荷特性和工作时间两个因素决定的工况系数，是最基本、最主要的系数。常用工作机的 f_{Ah} 可参考后述“工况系数 f_{Ah} ”表选定。其它工作机的工况系数，可用类比法确定。

2)、 f_{Ac}

f_{Ac} 由启、停次数决定。可参考后述“工况系数 f_{Ac} ”表确定。注意启、停要各计一次。

3)、 f_{At}

f_{At} 由工作环境温度决定的系数。可参考后述“工况系数 f_{At} ”表确定。

4)、 f_{An}

f_{An} 由转速决定的系数，同时考虑了热功率问题。通常情况下，本系列减速电机不配置循环润滑及冷却装置。若减速电机输出转速较高，特别是立式安装时 (M2/M4)，或对减速电机温升有严格要求时，为避免热功率的问题，需增加转速工况系数 f_{An} 。可参考后述“工况系数 f_{An} ”表确定。

各项数值不能确定时，请与公司技术部联系。

Selection Steps

1、Type Selection

G series geared motor is composed of four different structural types and various derived types. GR, GF series and their derivations, used in situations where the input shaft is parallel to the output shaft; GS, GK series and their derivations, used for input shaft and output shaft vertical situations.

During the selection process, the appropriate model series is generally selected according to the installation requirements. For example, if the input shaft is perpendicular to the output shaft, you can choose GK or GS series.

2、Selection of Total Service Factor f_A

Total Service Factor:

$$f_A = f_{Ah} \times f_{Ac} \times f_{At} \times f_{An}$$

The total service factor is composed of several factors of the working unit, can choose or add projects according to the working conditions.

1)、 f_{Ah}

f_{Ah} is determined by two factors of working unit load feature and working time, it is the most basic and important factor. f_{Ah} of frequently-used work unit can see the 'service factor f_{Ah} ' below to select.

2)、 f_{Ac}

f_{Ac} -the factor determined by number of starts and stop per hour of working unit. You can see the 'service factor f_{Ac} ' below. Attention: the number should be counted even start or stop.

3)、 f_{At}

f_{At} is a factor determined by the temperature of the working environment. Refer to the "service factor f_{At} " table below for determination.

4)、 f_{An}

f_{An} is a factor determined by the rotation speed, and the thermal power problem is taken into account. In general, this series of geared motors are not equipped with circulating lubrication and cooling devices. If the output speed of the geared motor is relatively high, especially under vertical installation (M2/M4), or when the temperature rise of the geared motor is strictly required, in order to avoid the problem of thermal power, the speed service factor f_{An} should be increased. Refer to the "service factor f_{An} " table below for determination.

When you can't select the value of service factor, please contact with us.

3. 型号 (规格) 的确定

须满足条件 $f_B \geq f_A$ (或 $f_B \geq f_{Ah} \times f_{Ac} \times f_{At} \times f_{An}$)

1)、恒功率选型

(1)电机与减速机直联或通过联轴器联接

a、在选型参数表(恒功率)中找到相应的电机功率、极数。

b、在此功率和极数下,初步选用一个具有相近传动比的机型,并记录下其使用系数 f_B 。

c、比较,若满足条件 $f_B \geq f_A$,则是可用机型。否则,加大机型,直到满足条件。

(2)电机与减速器之间具有前置减速联接

若电机与减速机之间通过齿轮、皮带、链轮等减速装置联接,由于输入转矩的增加,须把电机功率折算到减速机输入轴上,即把电机的功率乘以前置减速装置的传动比。用折算的功率(当量功率),按前述章节(1)中的方法选取。此时,电机极数不变。

注意,采用当量功率仅是为了选型方便,并无其它物理含义。

2)、恒转矩选型

按电机功率、极数和传动比查选型参数表(恒转矩)。此时,工作转矩须限制在所选减速机的最大输出转矩范围内。

4、径向载荷检验

须满足条件: $F_{Ra} \geq f_A \times F_r$; (N)

其中:

F_{Ra} ——标准实心输出轴轴头长度中点处,或标准空心轴端部的许用径向载荷。

若载荷作用点不在规定处,其许用径向载荷,须按后述章节“偏离输出轴轴伸中心点的径向载荷校核”进行修订和校核。

f_A ——工作机总工况系数。按前述章节计算得出。

F_r ——减速电机输出轴上工作元件产生的径向载荷。

轴上工作元件为联轴器,且严格按联轴器对标准安装,确认无径向载荷时,可取 $F_r=0$;轴上工作元件为

3.Selection of Type (Size)

It is essential to meet following: $f_B \geq f_A$ (Or $f_B \geq f_{Ah} \times f_{Ac} \times f_{At} \times f_{An}$)

1)、For constant power

(1)The motor is mounted directly into gear unit or with coupling

a、Reach to a relevant power and pole number of motor from selection table (constant power)

b、Select rudely a size with close radio, and recode it's f_B .

c、Compare, if meet this formula: $f_B \geq f_A$, then this size of gear unit is available. Otherwise select a bigger size of gear unit until meet it.

(2)、The gear unit with perfixion deceleration unit

When connecting the motor and gear unit using gears, belts, or chains, etc. Because the torque of input has been increased, so it is essential to convert motor power into input power of gear unit, the input power is to multiply motor power by radio. Select the size according to the power converted from the seletion table. This moment, the number of motor pole is same.

Attention, the equivalent power is used only for selection convenience and has no other physical meaning.

2)、For constant torque

Select the size of gear unit according to the power and pole of motor and radio from selection table (constant torque). It is essential to restrict the working torque under maximal output torque of gear unit selected.

4、Radial Load Checking

It is essential to meet following: $F_{Ra} \geq f_A \times F_r$; (N)
Where:

F_{Ra} ——Allowable radial load at the midpoint of the shaft head length of a standard solid output shaft, or at the end of a standard hollow shaft.

If the loading point is not specified, it allowable radial load shall be revised and checked according to the following chapter "Radial load check deviating from the center point of output shaft extension".

f_A ——total service factor of work units. Calculated according to the preceding section.

F_r ——radial load generated by working elements on output shaft of geared motor.

The working element on the shaft is the coupling, and it is installed strictly in accordance with the coupling standard. When no radial load is confirmed,

齿轮，链轮，皮带轮时，Fr 值由下式求出：

$$Fr = 2 * Mr * fr / d \quad (N)$$

其中：**Mr**—工作元件的工作转矩 (N.m)

d—工作元件节圆直径 (m)

fr—径向载荷系数。可参考如下取值。

单排链轮 $fr = 1$ ；

一个齿轮或双排链轮 $fr = 1.25$ ；

V 型带 $fr = 1.5$ ；平型带 $fr = 2.5$

对于 GK 和 GS 系列减速机，M1 安装时，侧面与安装固定面连接时，许用径向载荷只有选型表中 F_{Ra} 数值的 50%。

对于 GK169 和 GK189 减速电机在安装位置 M1-M4 时，若安装面与其安装形式图例有所区别，许用径向载荷只有选型表中 F_{Ra} 数值的 50%。

5、安装条件检验

有安装尺寸条件限制时应作此检验。即把所选机型号的结构尺寸和可利用的空间尺寸作比较。

若以上都能满足，则按机型号表示方法书写即可。有特殊要求时，可加文字说明。

普通供货约定：

- 1、无特别说明时电机供货按 IP55 防护等级，F 级绝缘。
- 2、不注明电机接线盒位置时，通常按安装形式图例中的 0° 位置供货。
- 3、不特别提出输出轴与输入轴旋向关系时，不在减速机上做出标识。
- 4、减速机出厂已加好润滑油。
- 5、安装结构尺寸图表中已注明不在标准供货范围内的附件不提供。

本样本中如有改进之处，不另作通知，请谅解。

$Fr = 0$ is desirable; When the working elements on the shaft are gears, sprockets and belt wheels, the Fr value can be calculated from the following formula:

$$Fr = 2 * Mr * fr / d \quad (N)$$

Where, **Mr**-working torque of the working unit(N.m)

d-pitch circle radius of the working unit(m)

fr-radial load factor, which can be got refer to the following:

$fr = 1$, for single chain sprocket wheel

$fr = 1.25$, for single gear or for double chain sprocket wheel

$fr = 1.5$, for V-section belt ; $fr = 2.5$, for falt belt

Only 50% of the F_{Ra} value specified in the selection table is permitted in mounting position M1 with wall attachment on the side face for GK and GS gear units.

Helical-bevel geared motors GK169 and GK189 in mounting positiongs M1 to M4: If the mounting position is different form the position we offered (M1-M4) , The overhung load F_{Ra} lasted in the selection tables.

5、Mounting Dimension Checking

Check the mounting dimension when there is a limitation to site mounting condition.

If the selected type by the above method is appropriate to site mounting condition, this final type is standard and should be written in formal type description.

If any special requirement is requested, please describe it while placing order.

Normal Delivery Condition:

- 1、Motor: motor of protection class IP55 and of insulation class F, while no special request.
- 2、Terminal box: Terminal box is at 0° position if no special request(see description of motor terminal box position)
- 3、Rotation direction: There will be no mark of rotation direction for input shaft or output shaft, if the relationship between input shaft and output shaft is not requested.
- 4、Lubricants: Units are supplied with lubricant oil before delivery.
- 5、Accessories: Generally, accessories excluded in mounting dimension table do not belong to our standard supply.

Design and specifications are subject to change without notice, Please forgive.

工况系数 f_{Ah}

应用	8h/天	16h/天	24h/天
食品工业			
粉碎机	1.75	2	2.25
甜菜切片机 揉面机	1.25	1.5	1.75
碾肉机	1.25	1.5	1.5
填充机	0.8~1*	1	1.25
和面机	1	1.25	1.5
挤压机	1.25	1.5	1.75
甘蔗切碎机	1.75	1.75	1.75
榨糖机	1.75	1.75	1.75
烤面包机	1.25	1.25	1.25
辅助动力、伺服系统			
微动装置, 无载荷	0.8~1*	*	*
普通载荷	1.25	1.25	1.25
压缩机			
离心式	1	1.25	1.5
轴流式	1	1.25	1.5
过滤机	1	1.25	1.5
建筑业			
水泥搅拌机	1.25	1.5	1.75
水泥厂	1.5	1.75	2
灰泥喷射机	0.8~1*	1	1.25
发电机	0.8~1*	1	1.25
水处理、环保			
曝气机	1.75	2	2
普通通风装置	1.5	1.5	1.5
旋转木马式通风装置	1.75	1.75	1.75
条栅式筛子 搜集器	0.8~1*	1	1.25
螺旋泵	1	1.25	1.5
筛子			
旋转式 (石头, 砂)	1	1.25	1.5
行进式吸水机	0.8~1*	1	1.25
农用机械			
施肥平土机	0.8~1*	1	*
收割机	0.8~1*	1	*
起重机械			
行进运动	1.5	1.75	2
回转机构	1.25	1.5	2
起升机构	1.25	1.5	1.75
转臂式起重机	1.25	1.5	1.75
混合机			
均匀密度	1.25	1.5	1.5
不均匀密度	1.5	1.75	1.75

Service Factor f_{Ah}

Application	8h/d	16h/d	24h/d
Food industry			
Crushers	1.75	2	2.25
Beet slicers, kneaders	1.25	1.5	1.75
Meat grinders	1.25	1.5	1.5
Filling machine	0.8~1*	1	1.25
Dough mixers	1	1.25	1.5
Extruders	1.25	1.5	1.75
Sugar cane knives	1.75	1.75	1.75
Sugar roller mills	1.75	1.75	1.75
Toaster	1.25	1.25	1.25
Auxiliary drives, servicing			
Inching, no load	0.8~1*	*	*
Normal duty	1.25	1.25	1.25
Compressors			
Centrifugal	1	1.25	1.5
Lobe	1	1.25	1.5
Filters	1	1.25	1.5
Construction industry			
Cement mixer	1.25	1.5	1.75
Cement mills	1.5	1.75	2
Mortar spraying machine	0.8~1*	1	1.25
Generators	0.8~1*	1	1.25
Water treatment, environment tools			
Aerators	1.75	2	2
Common aerators	1.5	1.5	1.5
Carrousel aerators	1.75	1.75	1.75
Bar screens, collectors	0.8~1*	1	1.25
Screw pumps	1	1.25	1.5
Screens			
Rotary (for stone, for gravel)	1	1.25	1.5
Traveling water intake	0.8~1*	1	1.25
Agricultural machinery			
Manure scrapers	0.8~1*	1	*
Harvesting machines	0.8~1*	1	*
Cranes and hoists			
Travel motion	1.5	1.75	2
Slewing gears	1.25	1.5	2
Hoisting gears	1.25	1.5	1.75
Derricking jib cranes	1.25	1.5	1.75
Mixer			
Constant density	1.25	1.5	1.5
Variable density	1.5	1.75	1.75

工况系数 f_{Ah}

木材和塑料工业			
电锯的主动力	1.5	1.75	2
电锯的进给动力	1	1.25	1.5
砍木机	1.5	1.75	2
胶合板胶合机	0.8~1*	1	1.25
钻孔机	0.8~1*	1	1.25
挤压机	1.25	1.5	1.75
搅拌机			
纯液体 (均匀密度)	1.5	1.75	1.75
非均匀密度的液体	1.75	2	2.25
液体和固体	1.75	2	2.25
磨 机			
球磨机, 棒磨机	1.75	1.75	1.75
锤磨机, 粉碎机	1.5	1.75	2
印刷和制纸技术			
切割机	1	1.25	1.5
卷筒	0.8~1*	1	1.25
打包进料机	1	1.25	1.25
电梯			
提升机	1.25	1.5	1.75
货运电梯	1.25	1.5	1.75
自动扶梯	1.25	1.25	1.5
纺织工业			
织机	1.25	1.5	1.75
纺纱机	0.8~1*	1	1.25
洗涤机	1	1.25	1.5
输送机			
斗式输送机	1.5	1.75	1.75
平衡加荷或喂料	0.8~1*	1	1.25
重载链和螺旋输送	1.25	1.5	1.5
振动输送机	1.5	1.75	2
卷扬机	1.5	1.75	1.75
皮带输送机	1.25	1.5	1.5
绞车	1.5	1.75	1.75
刮板式输送机	1.25	1.25	1.5
风扇			
离心式风扇	0.8~1*	1	1.25
工业风扇	1	1.25	1.5
冷却塔动力	1.75	1.75	1.75
冷却塔风扇	1.75	2	2

Service Factor f_{Ah}

Lumber and plastic industry			
Main drive for saws	1.5	1.75	2
Feed drives for saws	1	1.25	1.5
Chopping machines	1.5	1.75	2
Veneer gluing machine	0.8~1*	1	1.25
Drilling machine	0.8~1*	1	1.25
Extruders	1.25	1.5	1.75
Agitators			
Pure liquids (constant density)	1.5	1.75	1.75
Liquids with variable density	1.75	2	2.25
Liquids and solids	1.75	2	2.25
Mills			
Ball, rod	1.75	1.75	1.75
Hammer, disintegrator	1.5	1.75	2
Printing and paper techniques			
Cutters	1	1.25	1.5
Reels	0.8~1*	1	1.25
Bale feeders	1	1.25	1.25
Elevators			
Bucket elevators	1.25	1.5	1.75
Freight elevators	1.25	1.5	1.75
Escalators	1.25	1.25	1.5
Textile industry			
Looms	1.25	1.5	1.75
Spinners	0.8~1*	1	1.25
Washers	1	1.25	1.5
Conveyors			
Bucket conveyors	1.5	1.75	1.75
Uniformly loaded or fed	0.8~1*	1	1.25
Heavy duty, chain and screw conveyors	1.25	1.5	1.5
Shaker conveyors	1.5	1.75	2
Hoists	1.5	1.75	1.75
Belt conveyors	1.25	1.5	1.5
Hauling winches	1.5	1.75	1.75
Apron conveyors	1.25	1.25	1.5
Fans			
Centrifugal	0.8~1*	1	1.25
Industrial fans	1	1.25	1.5
Cooling tower drives	1.75	1.75	1.75
Cooling tower fans	1.75	2	2

工况系数 f_{Ah}

包装机械			
纸板堆叠机械	1.25	1.5	1.75
打包机	0.8~1*	1	1.25
机床设备			
平面刨床, 龙门刨床	1.25	1.5	1.75
弯轧机			
主动力, 进给动力	1	1.25	1.5
进给和辅助动力	0.8~1*	1	1.25
压力机	1.75	2	2
折弯机	1.5	1.75	2
剪板机	1.75	2	2
钢铁工业			
拉线机	1.25	1.5	1.75
绕线机	1.25	1.75	1.75
轧辊辊道: 无回转			
—组合动力	1.25	1.5	1.75
—独立动力	1.5	1.75	2
泵			
离心式	1	1.25	1.5
旋转式, 齿轮型, 叶轮型, 叶片型	0.8~1*	1	1.25
活塞泵: 单缸	1.5	1.75	2
多缸	1.25	1.5	1.75
螺旋泵	1	1.25	1.5

工况系数 f_{Ac}

启动次数/每小时	
< 10	1
< 100	1.15
< 500	1.25

工况系数 f_{At}

环境温度	+20°C...	+20°C... +30°C	+30°C... +40°C	+40°C... +50°C	+50°C... +60°C
f_{At}	1	1.1	1.25	1.5	1.75

工况系数 f_{An}

输出转速 (r/min)	≤2	2~10	10~50	50~100	100~150	150~200	> 200
f_{An}	0.9	0.95	1.0	1.05	1.15	1.25	1.35

*=0.8 假如运行时间少于 3 小时/天, 并且无径向载荷作用。

这些工况系数是基于我们多年的经验所得。特别适用于电动机作为主要动力的场合。对于特殊应用设计, 例如大的惯性系数, 请与我公司技术部联系。

Service Factor f_{Ah}

Packing machine			
Cardboard stacking machine	1.25	1.5	1.75
Wrapping machine	0.8~1*	1	1.25
Machine tools			
Plate surfacers, plate planers, bending rolls	1.25	1.5	1.75
Main drives, feed drives	1	1.25	1.5
Feed and auxiliary drives	0.8~1*	1	1.25
Presses	1.75	2	2
Folding machines	1.5	1.75	2
Plate shears	1.75	2	2
Iron and steel industry			
Wire drew benches	1.25	1.5	1.75
Winding machine	1.25	1.75	1.75
Rolling mill: non reversing			
—group drives	1.25	1.5	1.75
—individual drives	1.5	1.75	2
Pumps			
Centrifugal	1	1.25	1.5
Rotary, gear type, lobe, vane	0.8~1*	1	1.25
Piston pumps: single cylinder	1.5	1.75	2
multi-cylinder	1.25	1.5	1.75
Screw pumps	1	1.25	1.5

Service Factor f_{Ac}

Number of starts and stop/hour	
< 10	1
< 100	1.15
< 500	1.25

Service Factor f_{At}

Ambient temperature	+20°C...	+20°C... +30°C	+30°C... +40°C	+40°C... +50°C	+50°C... +60°C
f_{At}	1	1.1	1.25	1.5	1.75

Service Factor f_{An}

Output speed (r/min)	≤2	2~10	10~50	50~100	100~150	150~200	> 200
f_{An}	0.9	0.95	1.0	1.05	1.15	1.25	1.35

*=0.8, if hours of operation < 3 hours/24 and no radial overhung load is applied.

These service factors are recommended on the basis of AGMA and ISO specifications and our experiences. They apply for electric motors as prime movers preferably. For specially designed applications, e.g. large inertia factor, please contact our technology department.

轴向载荷

如果没有径向载荷，那么轴向载荷 F_A (+表示拉力, -表示压紧力) 依据表中径向负荷的 5% 给定是允许的。

过大的轴向载荷或轴向及径向的合成力，请咨询技术部。

输入轴载荷

输入轴的轴向载荷和径向载荷应用，请咨询技术部

偏离输出轴轴伸中心点的径向载荷校核

对于受力点不在输出轴轴伸中点处的许用径向载荷根据下列公式计算。

F_{XL} 和 F_{XW} 中的较小值, 就是在 X 位置的许用径向载荷。

根据轴承寿命计算 F_{XL} (单位 N)

$$F_{XL} = F_{Ra} \times a / (b + X)$$

根据输出轴强度计算 F_{XW} (单位 N)

$$F_{XW} = c / (f + X)$$

F_{Ra} -- 底脚安装的减速机输出轴轴伸中点处的许用径向载荷, 单位 [N]

X -- 从轴肩到受力点的距离, 单位 [mm]

a, b, f -- 对径向载荷转化的减速机常数, 单位 [mm]

c -- 对径向载荷转化的减速机常数, 单位 [N·mm]

Axial Loads

If there is no overhung long, then an axial load F_A (tension or compression) amount to 5% of the overhung load given in the selection tables is approved.

if significantly greater axial loads or combinations of overhung load and axial load. Please contact our technology department .

Input Shaft Loads

Please contact technical department for axial and radial loads on input shaft

Overhung Load Conversion for Off-center Force Application

The approved overhung loads given in the selection tables must be calculated by using the following formulae in the event of force application not in the center of the shaft end.

The smaller of the two values F_{XL} and F_{XW} is the approved value for the overhung load at point X .

F_{XL} acc.to bearing service life

$$F_{XL} = F_{Ra} \times a / (b + X)$$

F_{XW} from the shaft strength

$$F_{XW} = c / (f + X)$$

F_{Ra} -- Approved overhung load ($X=L/2$) for foot-mounted gear units according to the selection tables in [N]

X -- Distance from the shaft shoulder to the force application point in [mm]

a, b, f -- Gear unit constants for overhung load conversion [mm]

c -- Gear unit constants for overhung load conversion [N·mm]

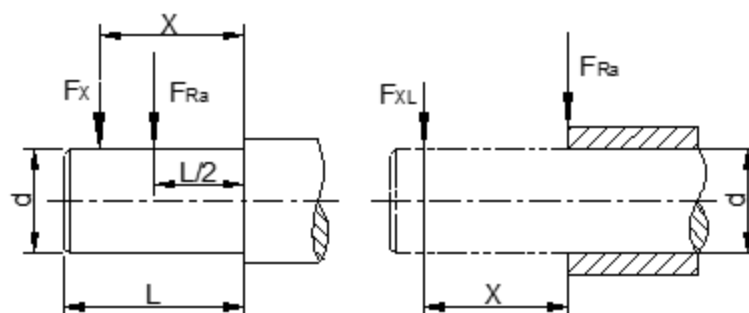


图: 偏离中心点的径向力 F_x

Fig: Overhung load F_x for off-center force application

对径向载荷转化的减速机常数
Gear unit constants for overhung load conversion

机型号 Type size	减速机常数 Reducer constant					
	a(mm)	b(mm)	c(N.mm)	f(mm)	d(mm)	l(mm)
GR19	88.5	68.5	6.527x10 ⁴	17	20	40
GR29	106.5	81.5	1.56 x10 ⁵	11.8	25	50
GR39	118	93	1.24 x10 ⁵	0	25	50
GR49	137	107	2.44 x10 ⁵	15	20	60
GR59	147.5	112.5	3.77 x10 ⁵	18	35	70
GR69	168.5	133.5	2.51 x10 ⁵	0	35	70
GR79	173.7	133.7	3.97 x10 ⁵	0	40	80
GR89	216.7	166.7	8.47 x10 ⁵	0	50	100
GR99	255.5	195.5	1.19 x10 ⁶	0	60	120
GR109	285.5	215.5	2.06 x10 ⁶	0	70	140
GR139	343.5	258.5	6.14 x10 ⁶	30	90	170
GR149	402	297	8.65 x10 ⁶	33	110	210
GR169	450	345	1.26 x10 ⁷	0	120	210
GR179	420	295	1.6 x10 ⁷	0	160	250
GRX59	43.5	23.5	1.51 x10 ⁵	34.2	20	40
GRX69	52.5	27.5	2.42 x10 ⁵	39.7	25	50
GRX79	60.5	30.5	1.95 x10 ⁵	0	30	60
GRX89	73.5	33.5	7.69 x10 ⁵	48.9	40	80
GRX99	86.5	36.5	1.43 x10 ⁶	53.9	50	100
GRX109	102.5	42.5	2.47 x10 ⁶	62.3	60	120
GRX139	133	63	3.55 x10 ⁶	70.1	70	140
GF39	123.5	98.5	1.07 x10 ⁵	0	25	50
GF49	153.5	123.5	1.78 x10 ⁵	0	30	60
GF59	170.7	135.7	5.49 x10 ⁵	32	35	70
GF69	181.3	141.3	4.12 x10 ⁵	0	40	80
GF79	215.8	165.8	7.78 x10 ⁵	0	50	100
GF89	263	203	1.19 x10 ⁶	0	60	120
GF99	350	280	2.09 x10 ⁶	0	70	140
GF109	373.5	288.5	4.23 x10 ⁶	0	90	170
GF129	442.5	337.5	9.49 x10 ⁶	0	110	210
GF159	512	407	1.05 x10 ⁷	0	120	210
GK39	123.5	98.5	1.41 x10 ⁵	0	25	50
GK49	153.5	123.5	1.78 x10 ⁵	0	30	60
GK59	169.7	134.7	6.8 x10 ⁵	31	35	70
GK69	181.3	141.3	4.12 x10 ⁵	0	40	80
GK79	215.8	165.8	7.69 x10 ⁵	0	50	100
GK89	252	192	1.64 x10 ⁶	0	60	120
GK99	319	249	2.8 x10 ⁶	0	70	140
GK109	373.5	288.5	5.53 x10 ⁶	0	90	170
GK129	443.5	338.5	8.31 x10 ⁶	0	110	210
GK159	509	404	1.18 x10 ⁷	0	120	210
GK169	621.5	496.5	1.88 x10 ⁷	0	160	250
GK189	720.5	560.5	3.04 x10 ⁷	0	190	320
GS39	118.5	98.5	6.0 x10 ⁴	0	20	40
GS49	130	105	1.33 x10 ⁵	0	25	50
GS59	150	120	2.14 x10 ⁵	0	30	60
GS69	184	149	3.04 x10 ⁵	0	35	70
GS79	224	179	5.26 x10 ⁵	0	45	90
GS89	281.5	221.5	1.68 x10 ⁶	0	60	120
GS99	326.3	256.3	2.54 x10 ⁶	0	70	140
GS109	453.5	283.5	2.85 x10 ⁶	0	90	170

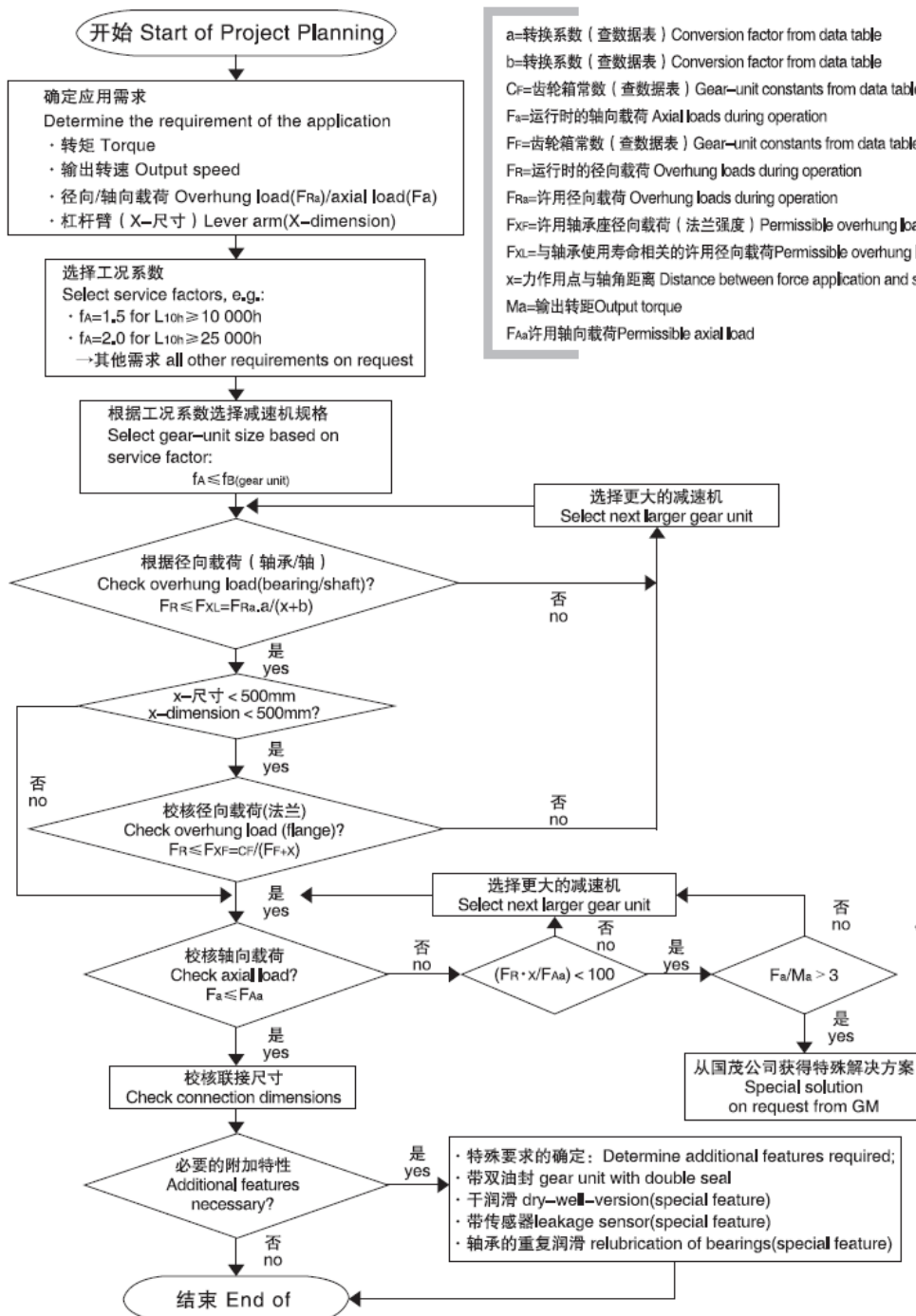
对于没有列出的型号的减速机常数需要另给定。

Values for types not listed are available on request.

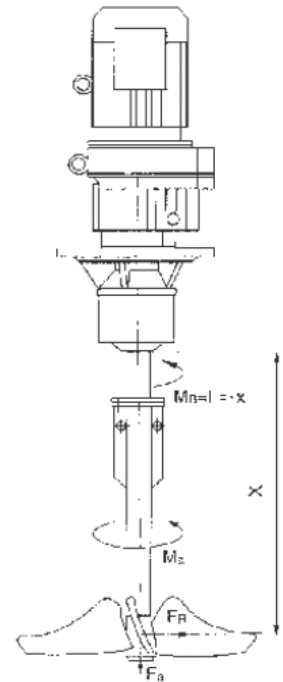
GRM 系列 齿轮减速电机

GRM...选型 Selection procedure of GRM...

GRM 齿轮减速电机是一种带有扩展输出轴承座的特种齿轮减速电机，可用于大悬挂载荷、大轴向载荷和大变化载荷的场合。其主要性能参数同 GR 系列标准齿轮减速电机，外形及安装尺寸可参考“GRM 齿轮减速电机”部分图。GRM geared motors are a special type of helical geared motor with an extended output bearing housing. They are specially designed for agitator applications and can be used in applications subject to high overhung and axial loads as well as flexural torque. The remaining data correspond to the standard helical geared motors. You can find special project planning notes for GRM geared motors in “GRM gear units” in the “Project Planning for Gear Units” section.



- a=转换系数 (查数据表) Conversion factor from data table
- b=转换系数 (查数据表) Conversion factor from data table
- C_F =齿轮箱常数 (查数据表) Gear-unit constants from data table
- F_a =运行时的轴向载荷 Axial loads during operation
- F_F =齿轮箱常数 (查数据表) Gear-unit constants from data table
- F_R =运行时的径向载荷 Overhung loads during operation
- F_{Ra} =许用径向载荷 Overhung loads during operation
- F_{XF} =许用轴承座径向载荷 (法兰强度) Permissible overhung load on the housing (flange tensile strength)
- F_{XL} =与轴承使用寿命相关的许用径向载荷 Permissible overhung load according to bearing service life
- x=力作用点与轴角距离 Distance between force application and shaft shoulder
- M_a =输出转矩 Output torque
- F_{Aa} 许用轴向载荷 Permissible axial load



许用径向和轴向载荷 Permitted overhung and axial loads

根据不同的服务系数 f_B 和不同的标称轴承使用寿命 L_{10h} 提供下述的许用径向载荷 F_{Ra} 和轴向载荷 F_{Aa} 。

The permitted overhung loads F_{Ra} and axial loads F_{Aa} are specified for various service factors f_B and nominal bearing service life L_{10h} .

$$f_{Bmin} = 1.5 / L_{10h} = 10000h$$

		输出转速 Output speed n_a [rpm]							
		< 16	16-25	26-40	41-60	61-100	101-160	161-250	251-400
GRM59	F_{Ra} [N]	400	400	400	400	400	405	410	415
	F_{Aa} [N]	18800	15000	11500	9700	7100	5650	4450	3800
GRM69	F_{Ra} [N]	575	575	575	580	575	585	590	600
	F_{Aa} [N]	19000	18900	15300	11900	9210	7470	5870	5050
GRM79	F_{Ra} [N]	1200	1200	1200	1200	1200	1210	1210	1220
	F_{Aa} [N]	22000	22000	19400	15100	11400	9220	7200	6710
GRM89	F_{Ra} [N]	1970	1970	1970	1970	1980	1990	2000	2010
	F_{Aa} [N]	30000	30000	23600	18000	14300	11000	8940	8030
GRM99	F_{Ra} [N]	2980	2980	2990	3010	3050	3060	3060	3080
	F_{Aa} [N]	40000	36100	27300	20300	15900	12600	9640	7810
GRM109	F_{Ra} [N]	4230	4230	4230	4230	4230	4230	3580	3830
	F_{Aa} [N]	48000	41000	30300	23000	18000	13100	9550	9030
GRM139	F_{Ra} [N]	8710	8710	8710	8710	7220	5060	3980	6750
	F_{Aa} [N]	70000	70000	70000	57600	46900	44000	35600	32400
GRM149	F_{Ra} [N]	11100	11100	11100	11100	10600	10600	8640	10800
	F_{Aa} [N]	70000	70000	69700	58400	45600	38000	32800	30800
GRM169	F_{Ra} [N]	14600	14600	14600	14600	14600	14700		
	F_{Aa} [N]	70000	70000	70000	60300	45300	36900		

$$f_{Bmin} = 2.0 / L_{10h} = 25000h$$

		输出转速 Output speed n_a [rpm]							
		< 16	16-25	26-40	41-60	61-100	101-160	161-250	251-400
GRM59	F_{Ra} [N]	410	410	410	410	410	415	415	420
	F_{Aa} [N]	12100	9600	7350	6050	4300	3350	2600	2200
GRM69	F_{Ra} [N]	590	590	590	595	590	595	600	605
	F_{Aa} [N]	15800	12000	9580	7330	5580	4460	3460	2930
GRM79	F_{Ra} [N]	1210	1210	1210	1210	1210	1220	1220	1220
	F_{Aa} [N]	20000	15400	11900	9070	6670	5280	4010	3700
GRM89	F_{Ra} [N]	2000	2000	2000	2000	2000	1720	1690	1710
	F_{Aa} [N]	24600	19200	14300	10600	8190	6100	5490	4860
GRM99	F_{Ra} [N]	3040	3040	3040	3050	3070	3080	2540	2430
	F_{Aa} [N]	28400	22000	16200	11600	8850	6840	5830	4760
GRM109	F_{Ra} [N]	4330	4330	4330	4330	4330	3350	2810	2990
	F_{Aa} [N]	32300	24800	17800	13000	9780	8170	5950	5620
GRM139	F_{Ra} [N]	8850	8850	8850	8830	5660	4020	3200	5240
	F_{Aa} [N]	70000	59900	48000	37900	33800	31700	25600	23300
GRM149	F_{Ra} [N]	11400	11400	11400	11400	11400	8320	6850	8440
	F_{Aa} [N]	70000	60600	45900	39900	33500	27900	24100	22600
GRM169	F_{Ra} [N]	15100	15100	15100	15100	15100	13100		
	F_{Aa} [N]	70000	63500	51600	37800	26800	23600		

转换系数和减速机常数

Conversion factors and gear unit constants

计算 GRM 齿轮减速机额定径向载荷 F_{xL} ($x \neq 1000\text{mm}$) 的转换系数:

The following conversion factors and gear unit constants apply to calculating the approved overhung load F_{xL} at point $x \neq 1000\text{mm}$ for GRM geared motors:

机型号 Type size	a	b	$c_F(f_B=1.5)$	$c_F(f_B=2.0)$	F_F
GRM59	1047	47	1220600	1260400	277
GRM69	1047	47	2047600	2100000	297.5
GRM79	1050	50	2512800	2574700	340.5
GRM89	1056.5	56.5	4917800	5029000	414
GRM99	1061	61	10911600	11124100	481
GRM109	1069	69	15367000	15652000	554.5
GRM139	1088	88	25291700	25993600	650
GRM149	1091	91	30038700	31173900	756
GRM169	1089.5	89.5	42096100	43654300	869

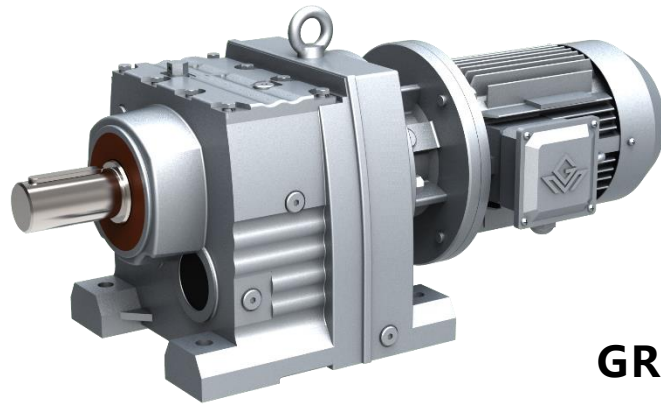
GRM 减速机的增加重量

Additional weights of GRM gear units

型号 Type	用 GRF 系列最小的法兰所增加的重量表	$\Delta m[\text{kg}]$
	Additional weight in addition to GRF, related to the smallest GRF flange	
GRM59	12	
GRM69	15.8	
GRM79	25	
GRM89	29.7	
GRM99	51.3	
GRM109	88	
GRM139	111.1	
GRM149	167.4	
GRM169	195.4	

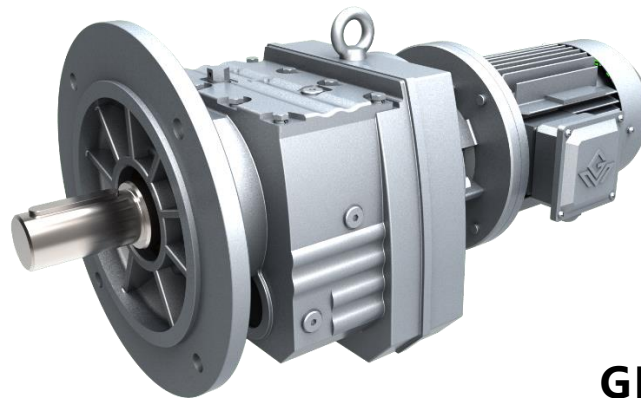
GR Series Helical Geared Motors

GR
系
列

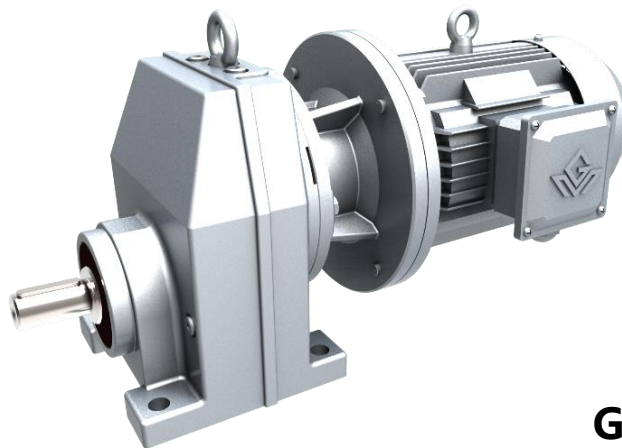


GR..

斜
齿
轮
减
速
电
机



GRF..



GRX..

GR 系列 斜齿轮减速电机

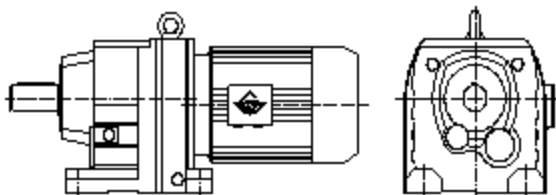
结构形式说明 Dimensional Description

GR 系列输入轴和输出轴有小偏心，由单级、二级或三级斜齿轮构成。

The input shafts and output shafts of GR series have small eccentricity. Units of GR series consist of single-stage, two-stage or three-stage helical gears.

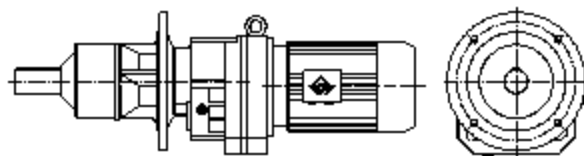
1.GR 型：底脚安装。

Type GR: Foot mounted.



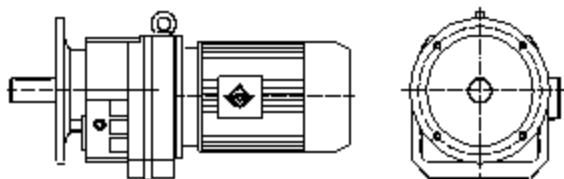
5.GRM 型：法兰安装，带有加长轴承箱。

Type GRM: Flange mounted. Extended bearing housing.



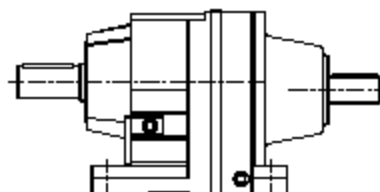
2.GRF 型：B5 法兰安装。

Type GRF: B5 flange mounted.



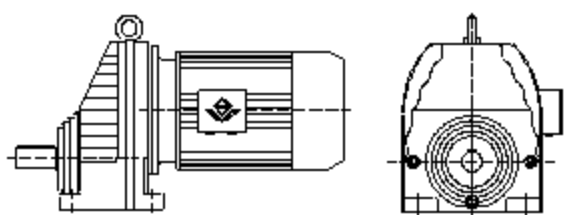
6.GR..AD..型：输入轴型。

Type GR..AD..: Input shaft types.



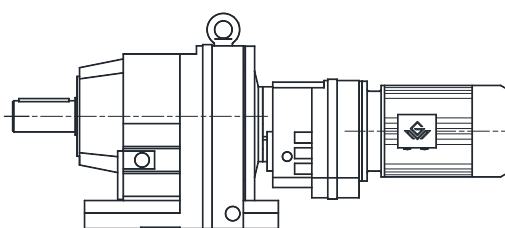
3.GRX 型：底脚安装，单级传动。

Type GRX: Foot mounted. Single stage.



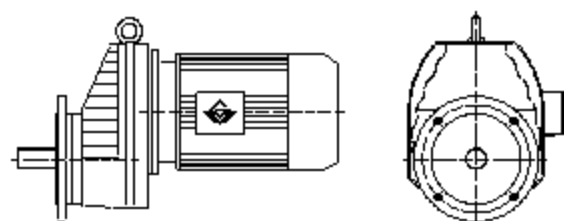
7.GR..R 型：两个 GR 系列的组合。

Type GR..R: Combined types of two type GR.

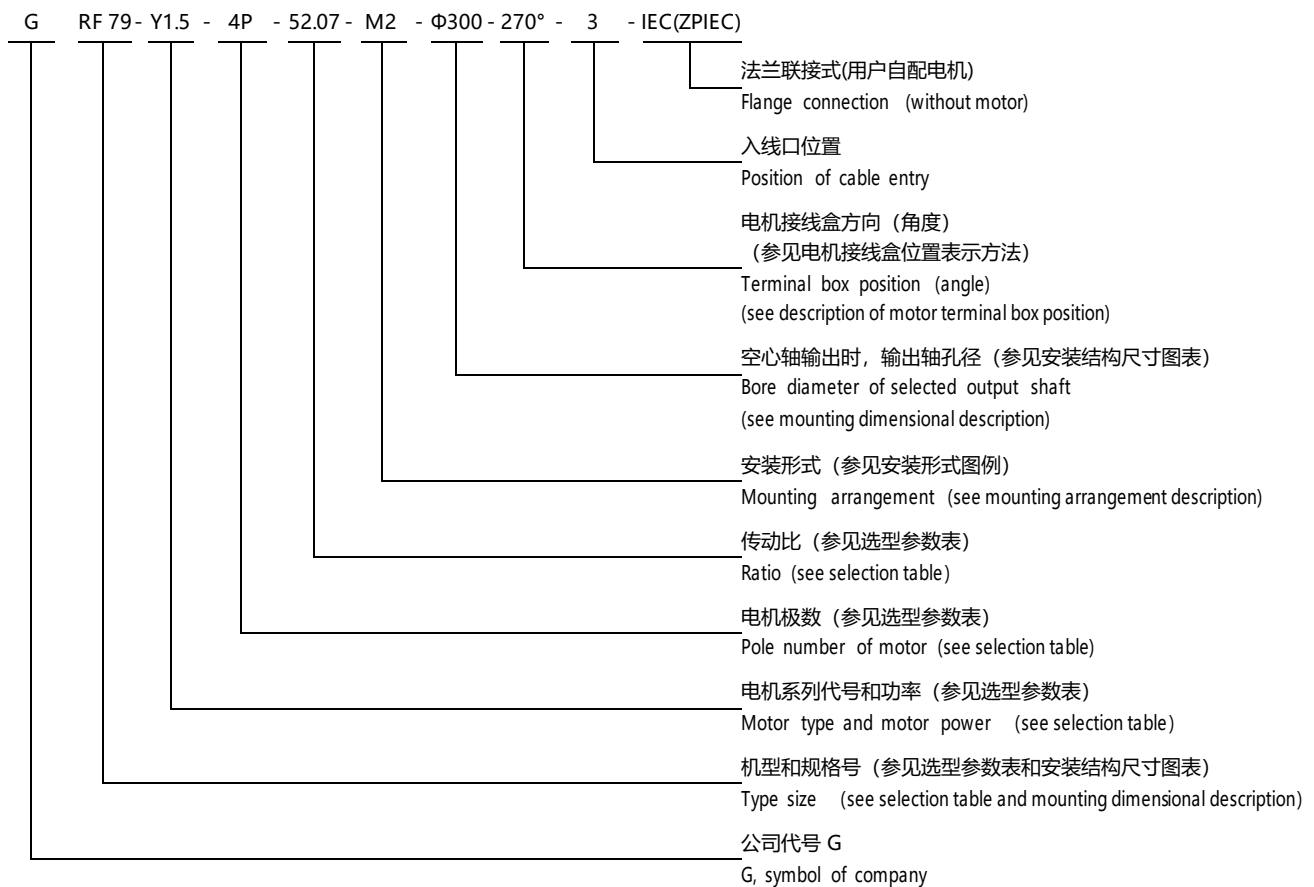


4. GRXF 型：B5 法兰安装，单级传动。

Type GRXF: B5 flange mounted. Single stage.



GR 系列机型号表示方法 Type Expression of GR Series

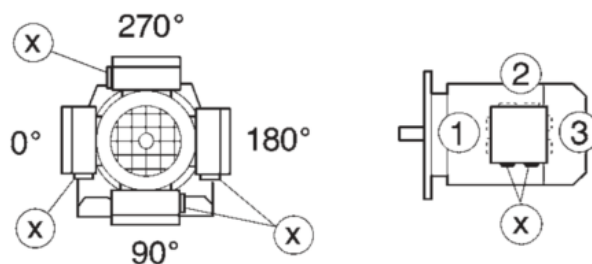


- 注: 1、需带联接法兰时请注明 IEC。
2、输入轴型没有电机各项内容。
3、不注明减速机的安装形式时, 则默认为安装形式中的 M1 位置。不注明接线盒方向时, 则默认为安装形式中的 0 度位置。不注明入线口位置时, 则默认为 X 位置。
4、对输出轴旋转方向和输入轴旋转方向有特别要求的用户, 请与技术部联系, 并在订货时用简图或文字说明。

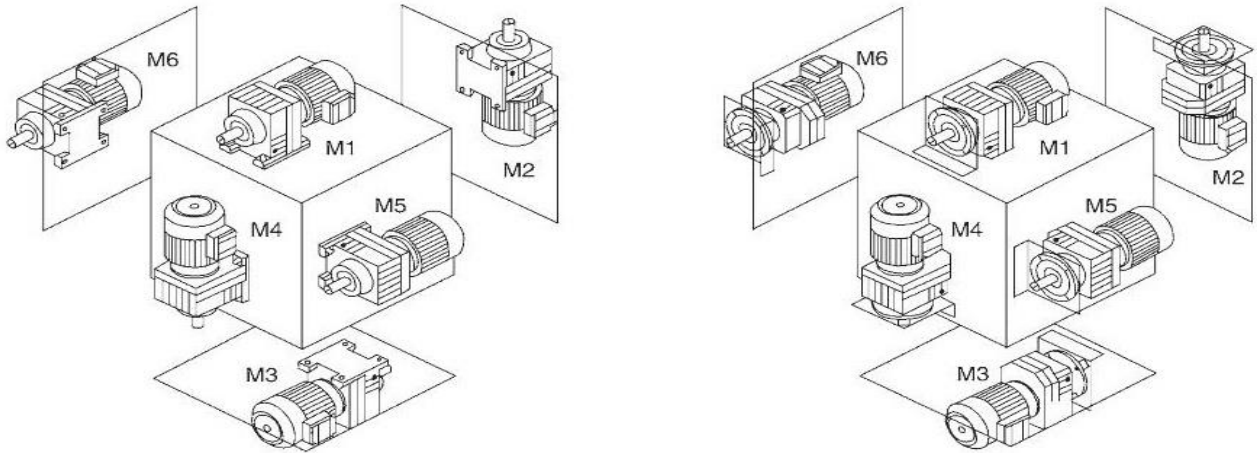
- Note: 1、Please make a note, if it needs connecting flange.
2、Contents of motors for input shaft types are not listed.
3、It is M1, When the mounting arrangement of the reducer is not mentioned. Degree=0°, if terminal box position is not mentioned. It is X, if cable entry position is not mentioned.
4、If specific rotation directions of output shaft or/and input shaft are specially requested, please contact our technology department, and make detailed description while placing order.

电机接线盒位置及入线口位置表示方法

Description of Motor Terminal Box Position and Cable Entry Position



安装形式图例 Mounting Arrangements Description



安装形式定义:

M1-电机水平放置; 减速机底脚(GR、GRX 型)或底部(GRF、GRXF 型)朝下。

M2-电机居下。

M3-电机水平放置; 减速机底脚(GR、GRX 型)或底部(GRF、GRXF 型)朝上。

M4-电机居上。

M5-电机水平放置; 当减速机在 M1 安装位置时, 从电机方向看, 减速机的左面旋转到下方位置。

M6-电机水平放置; 当减速机在 M1 安装位置时, 从电机方向看, 减速机的左面旋转到上方位置。

Mounting arrangements are defined as following:

M1-horizontally mounted motor,unit foot (for GR,GRX) or unit base (for GRF,GRXF) is at bottom.

M2-motor is vertically mounted downwards.

M3-horizontally mounted motor,unit foot (for GR,GRX) or unit base (for GRF,GRXF) is top.

M4-motor is vertically mounted upwards.

M5-horizontally mounted motor,if placed on M1 position,left side of unit turns to bottom(view point:towards from motor side).

M6-horizontally mounted motor,if placed on M1 position,left side of unit turns to top(view point:towards from motor side).

减速机重量 Gear Unit Weight

机型号 Type size	GR19	GR29	GR39	GR49	GR59	GR69	GR79	GR89	GR99	GR109	GR139	GR149	GR169	GR179
重量(kg) Weight	5	6	7.5	13	21	25	35	67	100	187	280	450	735	1250
机型号 Type size	GRX59	GRX69	GRX79	GRX89	GRX99	GRX109	GRX139							
重量(kg) Weight	11	15	25	47	80	115	130							

注:重量为平均值, 不包括电机、联接法兰, 仅供参考。

(Note: The weights mean values without the motor and IEC flange, only for reference.)

选型参数表注释 Description of Selection Table

恒功率 Constant power

n_a [r/min]	M_a [N.m]	i	F_{Ra} [kN]	f_B	机型号 Type size	极数 Pole
↓	↓	↓	↓	↓	↓	↓
输出转速 Output speed	输出转矩 Output torque	减速比 Ratio	许用径向载荷 Permissible radial load	使用系数 Service factor		

恒转矩 Constant torque

M_{max} [N.m]	n_a [r/min]	i	F_{Ra} [kN]	机型号 Type size	P [kW]/4P
↓	↓	↓	↓	↓	↓
最大输出转矩 Max.output torque	输出转速 Output speed	减速比 Ratio	许用径向载荷 Permissible radial load		电机功率 Motor power

选型参数表
(恒功率)
Selection Table
(Constant Power)

n_a [r/min]	M_a [N.m]	i	F_{Ra} [kN]	f_B	机型号 Type size	极数 Pole	n_a [r/min]	M_a [N.m]	i	F_{Ra} [kN]	f_B	机型号 Type size	极数 Pole																																																																																																																																																																																																																																																																																																																																																																																																																																																																																																													
0.12kW							0.12kW																																																																																																																																																																																																																																																																																																																																																																																																																																																																																																																			
0.06	16850	21342	56	0.80	GR149R79 GRF149R79	4P	0.92	1129	1430	7.8	0.80	GR79R39 GRF79R39	4P																																																																																																																																																																																																																																																																																																																																																																																																																																																																																																													
0.07	14370	18201	61	0.95			0.08	12571	15923	64	1.10			0.09	11112	14075	65	1.25	0.11	9746	12344	67	1.40	GR149R79 GRF149R79	4P	0.94	1101	1394	8.2	0.80	GR79R39 GRF79R39	4P	0.12	8798	11143	68	1.60	0.13	7692	9743	69	1.80	0.16	6666	8443	69	2.10	0.18	5769	7307	70	2.40	0.20	5090	6447	70	2.70	0.24	4396	5568	70	3.20	0.10	10201	12921	50	0.85	GR139R79 GRF139R79	4P	2.0	510	646	12	1.70	GR79R39 GRF79R39	4P	0.11	9247	11712	52	0.90	0.12	8348	10573	54	1.00	0.15	6935	8784	55	1.20	0.18	5905	7479	56	1.45	0.20	5178	6559	57	1.65	0.22	4606	5834	57	1.85	0.26	4039	5116	57	2.10	0.17	5987	7583	27	0.80	GR109R79 GRF109R79	4P	2.5	411	520	12	2.10	GR79R39 GRF79R39	4P	0.19	5324	6743	30	0.85	0.22	4669	5914	31	1.00	0.25	4080	5168	33	1.10	0.30	3502	4435	34	1.30	0.34	3076	3896	35	1.50	0.43	2399	3039	35	1.90	0.33	3093	3918	34	1.45	GR109R79 GRF109R79	4P	0.39	2639	3343	35	1.70	0.43	2395	3034	35	1.90	0.49	2095	2653	35	2.15	0.57	1800	2280	35	2.50	0.63	1632	2067	36	2.80	0.29	3599	4559	20	0.90	GR99R59 GRF99R59	4P	0.33	3161	4004	23	1.00	0.38	2748	3481	24	1.15	0.28	3693	4678	3.8	0.85	GR99R59 GRF99R59	4P	0.30	3402	4309	20	0.95	0.35	2923	3702	23	1.10	0.43	2384	3019	25	1.30	0.49	2106	2668	26	1.50	0.58	1772	2245	26	1.80	0.65	1592	2016	27	2.00	0.76	1368	1733	27	2.30	0.43	2420	3065	25	1.30	GR99R59 GRF99R59	4P	0.48	2149	2722	26	1.50	0.57	1825	2311	26	1.75	0.63	1641	2078	26	1.95	0.72	1439	1823	27	2.20	0.83	1250	1583	27	2.55	0.94	1102	1396	27	2.90	1.1	970	1228	27	3.30	0.45	2278	2885	15	0.80	GR89R59 GRF89R59	4P	0.67	1555	1969	18	1.05	0.47	2196	2781	10	0.80	GR89R59 GRF89R59	4P	0.50	2057	2606	15	0.80	0.61	1688	2138	17	0.95	0.68	1530	1938	18	1.05	0.75	1374	1740	18	1.20	0.75	1377	1744	19	1.20	0.86	1208	1530	19	1.35	1.0	1033	1308	19	1.60	1.1	906	1148	19	1.80	GR89R59 GRF89R59	4P	1.5	702	889	19	2.35	1.7	616	780	19	2.65	1.9	543	688	19	3.00	2.2	474	601	19	3.50	4.0	259	328	4.3	0.80	GR39R19 GRF39R19	4P	4.5	228	289	4.7	0.90	4.9	209	265	4.9	1.00	5.8	178	226	5.2	1.20	6.5	159	202	5.3	1.30	7.3	141	179	5.4	1.50	3.9	267	338	4.5	0.80	4.4	234	296	4.7	0.90	5.1	204	259	5.0	1.00	5.7	180	228	5.1	1.15	6.6	157	199	5.3	1.35	7.6	136	172	5.4	1.55																																																																											
0.08	12571	15923	64	1.10			0.09	11112	14075	65	1.25			0.11	9746	12344	67	1.40	GR149R79 GRF149R79	4P	0.94	1101	1394			8.2	0.80	GR79R39 GRF79R39	4P	0.12			8798	11143	68	1.60	0.13	7692	9743	69	1.80	0.16	6666	8443	69	2.10	0.18	5769	7307	70	2.40	0.20	5090	6447	70	2.70	0.24	4396	5568	70	3.20	0.10	10201	12921	50	0.85	GR139R79 GRF139R79			4P	2.0	510	646	12			1.70	GR79R39 GRF79R39	4P	0.11	9247	11712	52	0.90	0.12	8348	10573	54	1.00	0.15	6935	8784	55	1.20	0.18	5905	7479	56	1.45	0.20	5178	6559	57	1.65	0.22	4606	5834	57	1.85	0.26	4039	5116	57	2.10	0.17	5987			7583	27	0.80	GR109R79 GRF109R79	4P			2.5	411	520	12	2.10	GR79R39 GRF79R39	4P	0.19	5324	6743	30	0.85	0.22	4669	5914	31	1.00	0.25	4080	5168	33	1.10	0.30	3502	4435	34	1.30	0.34	3076	3896	35	1.50	0.43	2399	3039			35	1.90	0.33	3093	3918	34	1.45	GR109R79 GRF109R79	4P	0.39	2639	3343	35	1.70	0.43	2395	3034	35	1.90	0.49	2095	2653	35	2.15	0.57	1800	2280	35	2.50	0.63			1632	2067	36	2.80	0.29	3599	4559	20	0.90	GR99R59 GRF99R59	4P	0.33	3161	4004	23			1.00	0.38	2748	3481	24	1.15	0.28	3693	4678	3.8	0.85	GR99R59 GRF99R59	4P	0.30	3402	4309	20	0.95	0.35	2923	3702	23	1.10	0.43	2384	3019	25	1.30	0.49	2106	2668	26	1.50	0.58	1772	2245	26	1.80	0.65	1592			2016	27	2.00	0.76	1368	1733	27	2.30	0.43	2420	3065	25	1.30	GR99R59 GRF99R59	4P	0.48	2149	2722	26	1.50	0.57	1825	2311	26	1.75	0.63	1641	2078	26	1.95	0.72	1439	1823	27	2.20	0.83	1250	1583	27	2.55			0.94	1102	1396	27	2.90	1.1	970	1228	27	3.30			0.45	2278	2885	15	0.80	GR89R59 GRF89R59	4P	0.67	1555	1969	18	1.05	0.47	2196	2781	10	0.80	GR89R59 GRF89R59	4P	0.50	2057	2606	15	0.80	0.61	1688	2138	17	0.95	0.68	1530	1938	18	1.05	0.75	1374	1740	18	1.20	0.75			1377	1744	19	1.20	0.86	1208	1530	19	1.35	1.0	1033	1308	19	1.60	1.1	906	1148	19	1.80	GR89R59 GRF89R59	4P	1.5	702	889	19			2.35	1.7	616	780	19	2.65	1.9	543	688	19	3.00	2.2	474	601	19	3.50	4.0	259	328	4.3	0.80	GR39R19 GRF39R19	4P	4.5	228	289	4.7	0.90	4.9	209	265	4.9	1.00	5.8	178	226	5.2	1.20	6.5	159	202	5.3	1.30	7.3	141	179	5.4	1.50	3.9	267	338	4.5	0.80	4.4	234	296	4.7	0.90	5.1	204	259	5.0	1.00	5.7	180	228	5.1	1.15	6.6	157	199	5.3	1.35	7.6	136	172	5.4	1.55																																																				
0.09	11112	14075	65	1.25			0.11	9746	12344	67	1.40			GR149R79 GRF149R79	4P	0.94	1101	1394			8.2	0.80	GR79R39 GRF79R39			4P	0.12			8798			11143	68	1.60	0.13	7692	9743	69	1.80	0.16	6666	8443	69	2.10	0.18	5769	7307	70	2.40	0.20	5090	6447	70	2.70	0.24	4396	5568	70	3.20	0.10	10201	12921	50	0.85	GR139R79 GRF139R79					4P	2.0	510	646			12			1.70	GR79R39 GRF79R39	4P	0.11	9247	11712	52	0.90	0.12	8348	10573	54	1.00	0.15	6935	8784	55	1.20	0.18	5905	7479	56	1.45	0.20	5178	6559	57	1.65	0.22	4606	5834	57	1.85	0.26	4039	5116	57			2.10	0.17	5987					7583	27	0.80	GR109R79 GRF109R79	4P			2.5	411	520	12	2.10	GR79R39 GRF79R39	4P	0.19	5324	6743	30	0.85	0.22	4669	5914	31	1.00	0.25	4080	5168	33	1.10	0.30	3502	4435	34	1.30	0.34			3076	3896	35	1.50	0.43	2399	3039			35	1.90	0.33	3093	3918	34	1.45	GR109R79 GRF109R79	4P	0.39	2639	3343	35	1.70	0.43	2395	3034	35	1.90	0.49	2095			2653	35	2.15	0.57	1800	2280	35	2.50	0.63			1632	2067	36	2.80			0.29	3599	4559	20	0.90	GR99R59 GRF99R59	4P	0.33	3161	4004	23			1.00	0.38	2748	3481	24	1.15	0.28	3693	4678	3.8	0.85	GR99R59 GRF99R59	4P	0.30	3402	4309	20	0.95	0.35	2923	3702	23	1.10	0.43	2384	3019	25			1.30	0.49	2106	2668	26	1.50	0.58	1772	2245	26	1.80	0.65	1592			2016	27	2.00	0.76	1368	1733	27	2.30	0.43	2420	3065	25	1.30	GR99R59 GRF99R59	4P	0.48	2149	2722	26	1.50	0.57	1825	2311	26	1.75	0.63	1641	2078	26	1.95	0.72	1439	1823	27	2.20	0.83	1250			1583	27	2.55	0.94	1102			1396	27	2.90	1.1	970	1228	27	3.30	0.45	2278			2885	15	0.80	GR89R59 GRF89R59	4P	0.67	1555	1969	18	1.05	0.47	2196	2781	10	0.80	GR89R59 GRF89R59	4P	0.50	2057	2606	15			0.80	0.61	1688	2138	17	0.95	0.68	1530	1938	18	1.05	0.75	1374	1740	18	1.20	0.75	1377	1744			19	1.20	0.86	1208			1530	19	1.35	1.0	1033	1308	19	1.60	1.1	906	1148	19	1.80	GR89R59 GRF89R59	4P	1.5	702	889	19	2.35	1.7			616	780	19	2.65	1.9	543	688	19	3.00	2.2	474	601	19	3.50	4.0	259	328	4.3	0.80	GR39R19 GRF39R19	4P	4.5	228	289	4.7	0.90	4.9	209	265	4.9	1.00	5.8	178	226	5.2	1.20	6.5	159	202	5.3	1.30	7.3	141	179	5.4	1.50	3.9	267	338	4.5	0.80	4.4	234	296	4.7	0.90	5.1	204	259	5.0	1.00	5.7	180	228	5.1	1.15	6.6	157	199	5.3	1.35	7.6	136	172	5.4	1.55																															
0.11	9746	12344	67	1.40	GR149R79 GRF149R79	4P	0.94	1101	1394	8.2	0.80	GR79R39 GRF79R39	4P																																																																																																																																																																																																																																																																																																																																																																																																																																																																																																													
0.12	8798	11143	68	1.60			0.13	7692	9743	69	1.80					0.16	6666	8443			69	2.10					0.18			5769			7307	70	2.40	0.20	5090	6447	70	2.70	0.24	4396	5568	70	3.20	0.10	10201	12921	50	0.85	GR139R79 GRF139R79	4P	2.0	510	646	12	1.70	GR79R39 GRF79R39	4P	0.11	9247	11712	52	0.90	0.12							8348	10573	54			1.00			0.15			6935	8784	55	1.20	0.18	5905	7479	56	1.45	0.20	5178	6559	57	1.65	0.22	4606	5834	57	1.85	0.26	4039	5116	57	2.10	0.17	5987	7583	27	0.80	GR109R79 GRF109R79	4P	2.5	411	520			12	2.10	GR79R39 GRF79R39					4P	0.19	5324					6743	30	0.85	0.22	4669			5914	31	1.00	0.25	4080	5168	33	1.10	0.30	3502	4435	34	1.30	0.34	3076	3896	35	1.50	0.43	2399	3039			35	1.90	0.33	3093	3918	34	1.45			GR109R79 GRF109R79	4P	0.39	2639	3343	35	1.70			0.43	2395	3034	35	1.90	0.49	2095	2653	35	2.15	0.57	1800			2280	35	2.50	0.63	1632	2067	36	2.80	0.29			3599	4559	20	0.90			GR99R59 GRF99R59	4P	0.33	3161	4004			23	1.00	0.38	2748			3481	24	1.15	0.28	3693	4678	3.8	0.85	GR99R59 GRF99R59	4P	0.30			3402	4309	20	0.95	0.35	2923	3702	23	1.10	0.43	2384	3019	25	1.30			0.49	2106	2668	26	1.50	0.58	1772	2245	26	1.80	0.65	1592	2016			27	2.00	0.76	1368	1733	27	2.30	0.43	2420	3065	25	1.30	GR99R59 GRF99R59			4P	0.48	2149	2722	26	1.50	0.57	1825	2311	26	1.75	0.63	1641	2078	26	1.95	0.72	1439	1823	27	2.20	0.83			1250	1583	27	2.55	0.94	1102	1396	27	2.90	1.1	970	1228	27	3.30	0.45	2278	2885			15	0.80	GR89R59 GRF89R59	4P	0.67	1555	1969	18	1.05	0.47	2196	2781	10	0.80	GR89R59 GRF89R59			4P	0.50	2057	2606			15	0.80	0.61	1688	2138	17	0.95	0.68	1530	1938	18	1.05	0.75	1374	1740	18	1.20	0.75	1377			1744	19	1.20	0.86			1208	1530	19	1.35	1.0	1033	1308	19	1.60	1.1	906	1148	19			1.80	GR89R59 GRF89R59	4P	1.5	702	889			19	2.35	1.7	616	780	19	2.65	1.9	543	688	19	3.00	2.2	474	601	19	3.50	4.0	259			328	4.3	0.80	GR39R19 GRF39R19	4P	4.5	228	289	4.7	0.90	4.9	209	265	4.9	1.00	5.8	178	226	5.2	1.20	6.5	159	202	5.3	1.30	7.3	141	179	5.4	1.50	3.9	267	338	4.5	0.80	4.4	234	296	4.7	0.90	5.1	204	259	5.0	1.00	5.7	180	228	5.1	1.15	6.6	157	199	5.3	1.35	7.6	136	172	5.4	1.55																										
0.13	7692	9743	69	1.80			0.16	6666	8443	69	2.10					0.18	5769	7307			70	2.40					0.20			5090			6447	70	2.70	0.24	4396	5568	70	3.20	0.10	10201	12921	50	0.85	GR139R79 GRF139R79	4P	2.0	510	646			12	1.70	GR79R39 GRF79R39	4P	0.11			9247	11712	52	0.90	0.12	8348							10573	54	1.00			0.15			6935			8784	55	1.20	0.18	5905	7479	56	1.45	0.20	5178	6559	57	1.65	0.22	4606	5834	57	1.85	0.26	4039	5116	57	2.10	0.17	5987	7583	27	0.80	GR109R79 GRF109R79			4P	2.5	411			520	12							2.10	GR79R39 GRF79R39					4P	0.19	5324	6743	30			0.85	0.22	4669	5914	31	1.00	0.25	4080	5168	33	1.10	0.30	3502	4435	34	1.30	0.34	3076	3896	35	1.50			0.43	2399	3039	35	1.90	0.33	3093					3918	34	1.45	GR109R79 GRF109R79	4P			0.39	2639	3343	35	1.70	0.43	2395	3034	35	1.90	0.49	2095			2653	35	2.15	0.57	1800	2280	35	2.50	0.63			1632	2067	36	2.80					0.29	3599	4559			20	0.90	GR99R59 GRF99R59	4P			0.33	3161	4004	23	1.00	0.38	2748	3481			24			1.15	0.28	3693	4678	3.8	0.85	GR99R59 GRF99R59	4P	0.30	3402	4309	20	0.95	0.35			2923	3702	23	1.10	0.43	2384	3019	25	1.30	0.49	2106	2668	26			1.50	0.58	1772	2245	26	1.80	0.65	1592	2016	27	2.00	0.76					1368	1733	27	2.30	0.43	2420	3065	25	1.30	GR99R59 GRF99R59	4P	0.48	2149	2722	26	1.50	0.57	1825	2311	26	1.75			0.63	1641	2078	26	1.95	0.72	1439	1823	27	2.20	0.83	1250	1583	27	2.55	0.94	1102			1396	27			2.90	1.1	970	1228	27	3.30	0.45	2278	2885	15					0.80	GR89R59 GRF89R59	4P			0.67	1555	1969	18	1.05	0.47	2196	2781	10	0.80	GR89R59 GRF89R59	4P	0.50	2057	2606	15	0.80	0.61	1688			2138	17	0.95	0.68			1530	1938	18	1.05	0.75	1374	1740	18	1.20	0.75	1377	1744	19			1.20			0.86	1208	1530			19	1.35	1.0	1033	1308	19	1.60	1.1	906	1148	19	1.80	GR89R59 GRF89R59	4P	1.5	702	889	19	2.35			1.7	616	780			19	2.65	1.9	543	688	19	3.00	2.2	474	601	19	3.50	4.0	259	328	4.3	0.80	GR39R19 GRF39R19	4P	4.5	228	289	4.7	0.90	4.9	209	265	4.9	1.00	5.8	178	226	5.2	1.20	6.5	159	202	5.3	1.30	7.3	141	179	5.4	1.50	3.9	267	338	4.5	0.80	4.4	234	296	4.7	0.90	5.1	204	259	5.0	1.00	5.7	180	228	5.1	1.15	6.6	157	199	5.3	1.35	7.6	136	172	5.4	1.55							
0.16	6666	8443	69	2.10			0.18	5769	7307	70	2.40					0.20	5090	6447			70	2.70		0.24	4396		5568			70	3.20	0.10	10201	12921	50	0.85	GR139R79 GRF139R79	4P	2.0	510	646	12	1.70	GR79R39 GRF79R39	4P			0.11	9247	11712			52	0.90			0.12			8348	10573	54	1.00	0.15	6935							8784	55	1.20			0.18			5905			7479	56	1.45	0.20	5178	6559	57	1.65	0.22	4606	5834	57	1.85	0.26	4039	5116	57	2.10	0.17	5987	7583	27	0.80	GR109R79 GRF109R79	4P	2.5	411	520					12	2.10			GR79R39 GRF79R39	4P							0.19							5324	6743	30	0.85			0.22	4669	5914	31	1.00	0.25	4080	5168	33	1.10	0.30	3502	4435	34	1.30	0.34	3076	3896	35	1.50	0.43			2399	3039	35	1.90	0.33	3093	3918					34	1.45	GR109R79 GRF109R79					4P	0.39	2639	3343	35	1.70	0.43	2395	3034	35	1.90	0.49			2095	2653	35	2.15	0.57	1800	2280	35	2.50			0.63	1632	2067	36					2.80	0.29	3599			4559	20					0.90	GR99R59 GRF99R59	4P	0.33	3161	4004	23	1.00			0.38			2748	3481	24	1.15	0.28	3693			4678	3.8	0.85	GR99R59 GRF99R59	4P	0.30			3402	4309	20	0.95	0.35	2923	3702	23	1.10	0.43	2384	3019	25			1.30	0.49	2106	2668	26	1.50	0.58	1772	2245	26	1.80	0.65					1592	2016	27	2.00	0.76	1368	1733	27	2.30			0.43	2420	3065	25	1.30	GR99R59 GRF99R59	4P	0.48	2149	2722			26	1.50	0.57	1825	2311	26	1.75	0.63	1641	2078	26	1.95	0.72	1439	1823	27	2.20			0.83	1250	1583	27	2.55	0.94	1102	1396	27	2.90	1.1	970	1228	27					3.30					0.45	2278	2885	15	0.80	GR89R59 GRF89R59	4P	0.67	1555	1969			18	1.05	0.47	2196	2781	10	0.80			GR89R59 GRF89R59	4P	0.50	2057			2606	15	0.80	0.61	1688	2138	17	0.95	0.68	1530	1938	18	1.05			0.75			1374	1740	18			1.20	0.75	1377	1744	19	1.20	0.86	1208	1530	19	1.35	1.0			1033	1308	19	1.60	1.1			906	1148	19			1.80	GR89R59 GRF89R59	4P	1.5	702	889	19	2.35	1.7	616	780	19	2.65	1.9	543	688	19			3.00	2.2	474	601	19	3.50	4.0	259	328	4.3	0.80	GR39R19 GRF39R19	4P	4.5	228	289	4.7	0.90	4.9	209	265	4.9	1.00	5.8	178	226	5.2	1.20	6.5	159	202	5.3	1.30	7.3	141	179	5.4	1.50	3.9	267	338	4.5	0.80	4.4	234	296	4.7	0.90	5.1	204	259	5.0	1.00	5.7	180	228	5.1	1.15	6.6	157	199	5.3
0.18	5769	7307	70	2.40			0.20	5090	6447	70	2.70					0.24	4396	5568	70	3.20	0.10	10201		12921	50		0.85	GR139R79 GRF139R79	4P	2.0	510	646	12	1.70	GR79R39 GRF79R39	4P			0.11	9247	11712	52	0.90					0.12	8348	10573			54	1.00			0.15			6935	8784	55	1.20	0.18	5905							7479	56	1.45			0.20			5178			6559	57	1.65	0.22	4606	5834	57	1.85	0.26	4039	5116	57	2.10	0.17	5987	7583	27	0.80	GR109R79 GRF109R79	4P	2.5	411	520			12	2.10	GR79R39 GRF79R39					4P	0.19											5324							6743	30	0.85	0.22			4669	5914	31	1.00	0.25	4080	5168	33	1.10	0.30	3502	4435	34	1.30	0.34	3076	3896	35	1.50	0.43	2399			3039	35	1.90	0.33	3093	3918	34					1.45	GR109R79 GRF109R79							4P	0.39	2639	3343	35	1.70	0.43	2395	3034	35	1.90			0.49	2095	2653	35	2.15	0.57	1800	2280	35			2.50	0.63	1632	2067					36	2.80	0.29			3599	4559					20			0.90	GR99R59 GRF99R59	4P	0.33	3161			4004			23	1.00	0.38	2748	3481	24			1.15	0.28	3693			4678			3.8	0.85	GR99R59 GRF99R59	4P	0.30	3402	4309	20	0.95	0.35	2923	3702	23			1.10	0.43	2384	3019	25	1.30	0.49	2106	2668	26	1.50	0.58					1772	2245	26	1.80	0.65	1592	2016	27	2.00			0.76	1368	1733	27	2.30			0.43	2420	3065			25	1.30	GR99R59 GRF99R59	4P	0.48	2149	2722	26	1.50	0.57	1825	2311	26	1.75	0.63	1641	2078			26	1.95	0.72	1439	1823	27	2.20	0.83	1250	1583	27	2.55	0.94	1102					1396	27	2.90			1.1	970	1228	27	3.30			0.45	2278	2885			15	0.80	GR89R59 GRF89R59	4P	0.67	1555	1969					18	1.05			0.47	2196	2781	10	0.80	GR89R59 GRF89R59	4P	0.50	2057	2606	15	0.80	0.61			1688			2138	17	0.95			0.68	1530	1938	18	1.05	0.75	1374	1740	18	1.20	0.75	1377			1744	19	1.20	0.86	1208			1530	19	1.35			1.0			1033	1308	19	1.60	1.1	906	1148	19	1.80	GR89R59 GRF89R59	4P	1.5	702	889			19	2.35	1.7	616	780	19	2.65	1.9	543	688	19			3.00	2.2	474	601	19	3.50	4.0	259	328	4.3	0.80	GR39R19 GRF39R19	4P	4.5	228	289	4.7	0.90	4.9	209	265	4.9	1.00	5.8	178	226	5.2	1.20	6.5	159	202	5.3	1.30	7.3	141	179	5.4	1.50	3.9	267	338	4.5	0.80	4.4	234	296	4.7	0.90	5.1
0.20	5090	6447	70	2.70			0.24	4396	5568	70	3.20			0.10	10201	12921	50	0.85	GR139R79 GRF139R79	4P	2.0	510	646	12	1.70	GR79R39 GRF79R39	4P			0.11	9247	11712	52	0.90					0.12	8348	10573	54	1.00					0.15	6935	8784			55	1.20			0.18			5905	7479	56	1.45	0.20	5178			6559	57			1.65	0.22	4606	5834	57	1.85			0.26			4039	5116	57	2.10	0.17	5987	7583	27	0.80	GR109R79 GRF109R79	4P	2.5	411	520	12	2.10	GR79R39 GRF79R39	4P			0.19	5324	6743			30	0.85							0.22	4669	5914						31	1.00		0.25							4080	5168	33	1.10			0.30	3502	4435	34	1.30	0.34	3076	3896	35	1.50	0.43	2399	3039	35	1.90	0.33	3093	3918	34	1.45	GR109R79 GRF109R79	4P	0.39	2639	3343	35	1.70	0.43	2395	3034					35									1.90	0.49	2095	2653	35	2.15	0.57	1800	2280	35	2.50	0.63	1632	2067	36	2.80	0.29	3599	4559	20	0.90			GR99R59 GRF99R59	4P	0.33	3161	4004	23			1.00	0.38	2748			3481	24					1.15			0.28			3693	4678			3.8			0.85	GR99R59 GRF99R59	4P	0.30	3402	4309			20	0.95	0.35			2923	3702	23	1.10	0.43			2384	3019	25	1.30	0.49	2106	2668	26	1.50			0.58	1772	2245	26	1.80	0.65	1592	2016	27	2.00	0.76	1368					1733	27	2.30	0.43	2420	3065	25	1.30	GR99R59 GRF99R59			4P	0.48	2149	2722	26			1.50	0.57	1825	2311	26	1.75	0.63			1641	2078	26	1.95	0.72	1439	1823	27	2.20	0.83	1250	1583	27			2.55	0.94	1102	1396	27	2.90	1.1	970	1228	27	3.30	0.45	2278	2885					15	0.80	GR89R59 GRF89R59	4P	0.67	1555	1969	18	1.05	0.47	2196	2781	10	0.80	GR89R59 GRF89R59			4P	0.50			2057	2606	15					0.80	0.61	1688	2138	17	0.95	0.68	1530	1938			18	1.05	0.75	1374	1740	18			1.20			0.75	1377	1744			19	1.20	0.86	1208	1530	19	1.35	1.0	1033	1308	19	1.60			1.1	906	1148	19	1.80			GR89R59 GRF89R59	4P	1.5			702			889	19	2.35	1.7	616	780	19	2.65	1.9			543	688	19			3.00	2.2	474	601	19	3.50	4.0	259	328	4.3	0.80			GR39R19 GRF39R19	4P	4.5	228	289	4.7	0.90	4.9	209	265	4.9			1.00	5.8	178	226	5.2	1.20	6.5	159	202	5.3	1.30	7.3	141	179	5.4	1.50	3.9	267	338	4.5	0.80	4.4	234	296	4.7	0.90	5.1	204	259	5.0	1.00	5.7	180	228	5.1	1.15
0.24	4396	5568	70	3.20	0.10	10201	12921	50	0.85	GR139R79 GRF139R79	4P	2.0	510	646	12	1.70	GR79R39 GRF79R39	4P			0.11	9247	11712	52	0.90					0.12	8348	10573	54	1.00					0.15	6935	8784	55	1.20					0.18	5905	7479			56	1.45			0.20			5178	6559	57	1.65	0.22	4606		5834	57	1.85	0.26		4039	5116	57	2.10	0.17	5987	7583	27	0.80			GR109R79 GRF109R79	4P	2.5	411	520	12	2.10	GR79R39 GRF79R39	4P			0.19	5324	6743	30	0.85					0.22	4669	5914			31	1.00							0.25	4080	5168				33	1.10	0.30	3502		4435				34	1.30		0.34	3076	3896	35			1.50	0.43	2399	3039	35	1.90	0.33	3093	3918	34	1.45	GR109R79 GRF109R79	4P	0.39	2639	3343	35	1.70	0.43	2395			3034	35	1.90	0.49	2095	2653	35	2.15	0.57	1800			2280									35	2.50	0.63	1632	2067	36	2.80	0.29	3599	4559	20	0.90	GR99R59 GRF99R59	4P	0.33	3161	4004	23	1.00	0.38	2748	3481	24			1.15	0.28	3693	4678			3.8	0.85	GR99R59 GRF99R59			4P	0.30			3402	4309	20			0.95			0.35	2923			3702			23			1.10	0.43	2384			3019	25	1.30			0.49	2106	2668	26	1.50			0.58	1772	2245	26	1.80	0.65	1592	2016	27	2.00	0.76	1368	1733	27	2.30	0.43	2420	3065	25	1.30	GR99R59 GRF99R59	4P	0.48					2149	2722	26	1.50	0.57	1825	2311	26					1.75	0.63	1641	2078			26	1.95	0.72	1439	1823	27	2.20			0.83	1250	1583	27	2.55	0.94	1102	1396	27	2.90	1.1	970	1228	27	3.30	0.45	2278	2885	15	0.80	GR89R59 GRF89R59	4P	0.67	1555	1969	18	1.05	0.47	2196					2781	10			0.80	GR89R59 GRF89R59	4P	0.50	2057	2606	15	0.80	0.61	1688					2138	17	0.95	0.68	1530	1938	18	1.05			0.75	1374	1740	18	1.20	0.75	1377	1744	19			1.20	0.86	1208	1530	19	1.35			1.0			1033	1308	19	1.60	1.1	906	1148	19	1.80	GR89R59 GRF89R59	4P	1.5	702	889	19	2.35	1.7			616	780	19	2.65	1.9					543			688			19	3.00	2.2	474	601	19	3.50	4.0	259			328	4.3	0.80			GR39R19 GRF39R19	4P	4.5	228	289	4.7	0.90	4.9	209	265	4.9					1.00	5.8	178	226	5.2	1.20	6.5	159	202			5.3	1.30	7.3	141	179	5.4	1.50	3.9	267	338	4.5	0.80	4.4	234	296	4.7	0.90	5.1	204	259	5.0	1.00	5.7	180	228	5.1	1.15	6.6	157	199	5.3	1.35	7.6	136	172	5.4
0.10	10201	12921	50	0.85	GR139R79 GRF139R79	4P	2.0	510	646			12	1.70	GR79R39 GRF79R39	4P																																																																																																																																																																																																																																																																																																																																																																																																																																																																																																											
0.11	9247	11712	52	0.90			0.12	8348	10573			54	1.00			0.15					6935	8784	55	1.20	0.18					5905	7479	56	1.45	0.20					5178	6559	57	1.65	0.22					4606	5834	57			1.85	0.26			4039			5116	57	2.10	0.17	5987	7583	27	0.80	GR109R79 GRF109R79	4P	2.5	411	520	12	2.10	GR79R39 GRF79R39	4P	0.19	5324	6743	30	0.85	0.22			4669	5914	31	1.00	0.25					4080	5168	33	1.10	0.30					3502	4435	34			1.30	0.34							3076	3896	35				1.50	0.43	2399	3039		35		1.90	0.33	3093	3918		34	1.45	GR109R79 GRF109R79	4P	0.39	2639	3343	35	1.70	0.43	2395	3034	35	1.90	0.49	2095	2653			35	2.15	0.57	1800	2280	35	2.50			0.63	1632	2067	36	2.80	0.29	3599	4559	20	0.90			GR99R59 GRF99R59					4P	0.33			3161	4004	23	1.00	0.38	2748	3481	24	1.15	0.28	3693	4678			3.8	0.85	GR99R59 GRF99R59	4P	0.30	3402	4309	20	0.95			0.35	2923	3702	23			1.10	0.43		2384	3019		25			1.30	0.49	2106			2668			26	1.50			0.58	1772	2245	26			1.80	0.65	1592			2016	27	2.00			0.76	1368	1733	27	2.30			0.43	2420	3065	25	1.30	GR99R59 GRF99R59	4P	0.48	2149	2722	26	1.50	0.57	1825	2311	26	1.75	0.63	1641	2078			26		1.95	0.72		1439	1823	27	2.20	0.83	1250	1583	27					2.55	0.94	1102	1396			27	2.90	1.1	970	1228	27	3.30			0.45	2278	2885	15	0.80	GR89R59 GRF89R59	4P	0.67	1555	1969	18	1.05	0.47	2196	2781	10	0.80	GR89R59 GRF89R59	4P	0.50	2057	2606	15	0.80	0.61	1688	2138	17	0.95		0.68	1530		1938	18	1.05	0.75	1374			1740	18	1.20	0.75	1377	1744	19					1.20	0.86	1208	1530	19	1.35	1.0	1033			1308	19	1.60	1.1	906	1148	19	1.80	GR89R59 GRF89R59			4P	1.5	702	889	19	2.35	1.7	616	780			19	2.65	1.9	543	688	19	3.00	2.2	474			601	19	3.50	4.0	259	328			4.3	0.80	GR39R19 GRF39R19	4P	4.5	228	289			4.7			0.90			4.9	209	265	4.9	1.00	5.8	178	226	5.2			1.20	6.5	159					202	5.3	1.30	7.3	141	179	5.4	1.50	3.9					267	338	4.5	0.80	4.4	234	296	4.7	0.90			5.1	204	259	5.0	1.00	5.7	180	228	5.1	1.15	6.6	157	199	5.3	1.35	7.6	136	172	5.4	1.55																
0.12	8348	10573	54	1.00			0.15	6935	8784			55	1.20			0.18					5905	7479	56	1.45	0.20					5178	6559	57	1.65	0.22					4606	5834	57	1.85	0.26					4039	5116	57	2.10	0.17	5987	7583			27	0.80	GR109R79 GRF109R79	4P	2.5	411	520	12	2.10	GR79R39 GRF79R39	4P			0.19	5324	6743	30	0.85			0.22	4669	5914	31	1.00	0.25			4080	5168	33	1.10	0.30					3502	4435	34	1.30	0.34					3076	3896	35			1.50	0.43			2399	3039			35	1.90	0.33			3093	3918	34	1.45	GR109R79 GRF109R79	4P	0.39		2639	3343	35	1.70		0.43	2395			3034	35	1.90	0.49	2095	2653	35	2.15	0.57	1800	2280	35	2.50			0.63	1632	2067	36	2.80	0.29	3599			4559	20	0.90	GR99R59 GRF99R59	4P	0.33	3161	4004	23	1.00	0.38	2748							3481			24	1.15	0.28	3693	4678	3.8	0.85	GR99R59 GRF99R59	4P	0.30	3402	4309			20	0.95			0.35	2923	3702	23	1.10			0.43	2384	3019	25	1.30	0.49	2106	2668		26	1.50		0.58			1772	2245	26			1.80			0.65	1592	2016	27	2.00	0.76	1368	1733			27	2.30	0.43			2420	3065	25			1.30	GR99R59 GRF99R59	4P	0.48	2149			2722	26	1.50	0.57	1825			2311	26	1.75	0.63	1641	2078	26	1.95	0.72	1439	1823	27	2.20			0.83	1250	1583	27	2.55	0.94	1102	1396	27	2.90	1.1	970	1228					27	3.30	0.45	2278			2885	15	0.80	GR89R59 GRF89R59	4P	0.67	1555			1969	18	1.05	0.47	2196			2781	10	0.80	GR89R59 GRF89R59	4P	0.50	2057	2606	15	0.80			0.61	1688	2138	17	0.95	0.68	1530	1938	18	1.05	0.75	1374	1740	18	1.20	0.75	1377	1744	19			1.20	0.86	1208	1530	19	1.35	1.0					1033	1308	19	1.60	1.1	906	1148	19			1.80	GR89R59 GRF89R59	4P	1.5	702	889	19	2.35					1.7	616	780	19	2.65	1.9	543	688	19	3.00	2.2	474	601	19	3.50	4.0	259	328	4.3			0.80	GR39R19 GRF39R19	4P	4.5	228	289			4.7	0.90			4.9	209	265			4.9	1.00	5.8	178			226	5.2	1.20	6.5	159	202	5.3	1.30	7.3			141	179	5.4					1.50	3.9	267	338	4.5	0.80	4.4	234	296					4.7	0.90	5.1	204	259	5.0	1.00	5.7	180			228	5.1	1.15	6.6	157	199	5.3	1.35	7.6	136	172	5.4	1.55																							
0.15	6935	8784	55	1.20			0.18	5905	7479			56	1.45			0.20					5178	6559	57	1.65	0.22					4606	5834	57	1.85	0.26					4039	5116	57	2.10	0.17			5987	7583	27	0.80	GR109R79 GRF109R79	4P	2.5	411	520	12	2.10	GR79R39 GRF79R39	4P			0.19	5324	6743	30	0.85					0.22	4669	5914	31	1.00			0.25	4080	5168	33	1.10	0.30			3502	4435	34	1.30	0.34					3076	3896	35	1.50	0.43					2399	3039	35			1.90	0.33		3093	3918	34	1.45		GR109R79 GRF109R79	4P	0.39			2639	3343	35	1.70			0.43	2395	3034	35	1.90	0.49	2095	2653	35			2.15	0.57	1800	2280	35	2.50	0.63	1632	2067	36	2.80	0.29	3599			4559	20	0.90	GR99R59 GRF99R59	4P	0.33	3161			4004	23	1.00			0.38	2748	3481	24	1.15	0.28	3693				4678	3.8		0.85			GR99R59 GRF99R59	4P	0.30	3402	4309	20	0.95			0.35	2923	3702			23	1.10			0.43	2384	3019	25	1.30			0.49	2106	2668	26	1.50	0.58	1772	2245		26	1.80		0.65	1592	2016	27	2.00	0.76			1368			1733	27	2.30	0.43	2420	3065	25	1.30			GR99R59 GRF99R59	4P	0.48	2149	2722	26	1.50	0.57			1825			2311	26			1.75	0.63	1641	2078	26			1.95	0.72	1439	1823	27	2.20	0.83	1250	1583	27	2.55	0.94	1102			1396	27	2.90	1.1	970	1228	27	3.30	0.45	2278	2885	15	0.80		GR89R59 GRF89R59	4P		0.67	1555	1969	18			1.05	0.47	2196			2781	10			0.80	GR89R59 GRF89R59	4P	0.50	2057	2606	15	0.80	0.61	1688			2138	17	0.95	0.68	1530			1938	18	1.05	0.75	1374	1740	18	1.20	0.75	1377	1744	19	1.20	0.86	1208	1530	19	1.35	1.0			1033	1308	19	1.60	1.1	906	1148		19	1.80		GR89R59 GRF89R59	4P	1.5	702	889	19	2.35	1.7			616			780	19	2.65	1.9	543					688	19	3.00	2.2	474	601	19	3.50	4.0	259	328	4.3	0.80	GR39R19 GRF39R19	4P	4.5	228	289	4.7			0.90			4.9	209	265	4.9	1.00	5.8	178			226	5.2	1.20			6.5	159	202	5.3			1.30	7.3	141	179	5.4	1.50	3.9	267	338			4.5	0.80	4.4	234	296			4.7	0.90	5.1	204	259	5.0	1.00	5.7	180					228	5.1	1.15	6.6	157	199	5.3	1.35	7.6			136	172	5.4	1.55																																
0.18	5905	7479	56	1.45			0.20	5178	6559			57	1.65			0.22					4606	5834	57	1.85	0.26					4039	5116	57	2.10	0.17			5987	7583	27	0.80	GR109R79 GRF109R79	4P	2.5	411	520	12	2.10	GR79R39 GRF79R39	4P			0.19	5324	6743	30	0.85					0.22	4669	5914	31	1.00					0.25	4080	5168	33	1.10			0.30	3502	4435	34	1.30	0.34			3076	3896	35	1.50	0.43					2399	3039	35	1.90	0.33					3093	3918	34	1.45	GR109R79 GRF109R79	4P	0.39		2639	3343	35	1.70				0.43	2395	3034	35	1.90	0.49	2095			2653	35	2.15	0.57	1800	2280	35	2.50	0.63			1632	2067	36	2.80	0.29	3599	4559	20	0.90	GR99R59 GRF99R59	4P	0.33	3161			4004	23	1.00			0.38	2748			3481	24	1.15			0.28	3693	4678	3.8	0.85	GR99R59 GRF99R59	4P			0.30	3402	4309		20	0.95				0.35	2923	3702	23	1.10			0.43	2384	3019			25	1.30			0.49	2106	2668	26	1.50			0.58	1772	2245	26	1.80	0.65	1592	2016		27	2.00		0.76	1368	1733	27	2.30	0.43	2420	3065	25			1.30	GR99R59 GRF99R59	4P	0.48	2149	2722	26	1.50					0.57	1825	2311	26	1.75	0.63	1641	2078	26			1.95	0.72			1439	1823	27	2.20	0.83			1250	1583	27	2.55	0.94	1102	1396	27	2.90	1.1	970	1228	27			3.30	0.45	2278	2885	15	0.80	GR89R59 GRF89R59	4P	0.67	1555	1969	18	1.05					0.47	2196	2781	10	0.80	GR89R59 GRF89R59	4P	0.50	2057	2606	15	0.80	0.61			1688			2138	17	0.95	0.68	1530	1938	18			1.05	0.75	1374	1740	18			1.20	0.75	1377	1744	19	1.20	0.86	1208	1530	19	1.35	1.0	1033	1308	19	1.60	1.1	906	1148			19	1.80	GR89R59 GRF89R59	4P	1.5	702	889		19	2.35				1.7	616	780	19	2.65	1.9	543	688	19			3.00	2.2	474	601	19					3.50	4.0	259	328	4.3	0.80	GR39R19 GRF39R19	4P	4.5	228	289	4.7	0.90			4.9	209	265	4.9			1.00			5.8	178	226	5.2	1.20	6.5	159			202	5.3	1.30			7.3	141	179	5.4	1.50	3.9	267	338	4.5	0.80	4.4	234	296	4.7	0.90			5.1	204	259	5.0	1.00			5.7	180	228	5.1	1.15	6.6	157	199	5.3	1.35	7.6			136	172	5.4	1.55																																											
0.20	5178	6559	57	1.65			0.22	4606	5834			57	1.85			0.26					4039	5116	57	2.10	0.17			5987	7583	27	0.80	GR109R79 GRF109R79	4P	2.5	411	520	12	2.10	GR79R39 GRF79R39	4P			0.19	5324	6743	30	0.85					0.22	4669	5914	31	1.00					0.25	4080	5168	33	1.10					0.30	3502	4435	34	1.30			0.34	3076	3896	35	1.50	0.43			2399	3039	35	1.90	0.33					3093	3918	34	1.45	GR109R79 GRF109R79			4P	0.39	2639	3343	35	1.70			0.43	2395	3034	35	1.90	0.49	2095			2653	35	2.15	0.57	1800	2280	35			2.50	0.63	1632	2067	36	2.80	0.29	3599	4559			20	0.90	GR99R59 GRF99R59	4P	0.33	3161	4004	23	1.00			0.38	2748			3481	24	1.15			0.28	3693			4678	3.8	0.85			GR99R59 GRF99R59	4P	0.30	3402	4309				20	0.95	0.35	2923		3702	23	1.10			0.43	2384	3019	25	1.30			0.49	2106	2668			26	1.50			0.58	1772	2245	26	1.80			0.65	1592	2016	27	2.00	0.76	1368	1733		27	2.30		0.43	2420	3065	25	1.30	GR99R59 GRF99R59	4P	0.48	2149	2722	26	1.50			0.57	1825	2311	26	1.75					0.63	1641	2078	26	1.95	0.72	1439	1823	27			2.20	0.83	1250	1583	27	2.55	0.94	1102	1396			27	2.90	1.1	970	1228	27	3.30	0.45	2278	2885	15	0.80	GR89R59 GRF89R59			4P	0.67	1555	1969	18	1.05			0.47	2196	2781	10	0.80		GR89R59 GRF89R59	4P		0.50	2057	2606	15	0.80			0.61	1688	2138	17	0.95	0.68	1530	1938	18			1.05	0.75	1374	1740	18	1.20	0.75			1377	1744	19	1.20	0.86			1208	1530	19	1.35	1.0	1033	1308	19	1.60	1.1	906	1148	19	1.80	GR89R59 GRF89R59	4P	1.5	702	889			19	2.35			1.7	616	780		19	2.65				1.9	543	688	19	3.00	2.2	474	601	19			3.50	4.0	259	328	4.3		0.80	GR39R19 GRF39R19		4P	4.5	228	289	4.7	0.90			4.9	209	265	4.9	1.00			5.8	178	226	5.2			1.20			6.5	159	202	5.3	1.30	7.3	141			179	5.4	1.50			3.9	267	338	4.5	0.80	4.4	234	296	4.7	0.90	5.1	204	259	5.0	1.00	5.7	180	228	5.1	1.15	6.6	157			199	5.3	1.35	7.6	136	172	5.4	1.55																																																				
0.22	4606	5834	57	1.85			0.26	4039	5116			57	2.10			0.17			5987	7583	27	0.80	GR109R79 GRF109R79	4P	2.5	411	520	12	2.10	GR79R39 GRF79R39	4P			0.19	5324	6743	30	0.85					0.22	4669	5914	31	1.00					0.25	4080	5168	33	1.10					0.30	3502	4435	34	1.30					0.34	3076	3896	35	1.50			0.43	2399	3039	35	1.90	0.33			3093	3918	34	1.45	GR109R79 GRF109R79			4P	0.39	2639	3343	35	1.70		0.43	2395		3034	35	1.90	0.49	2095			2653	35	2.15	0.57	1800	2280	35			2.50	0.63	1632	2067	36	2.80	0.29			3599	4559	20	0.90	GR99R59 GRF99R59	4P	0.33	3161	4004			23	1.00			0.38	2748	3481	24	1.15			0.28	3693			4678	3.8	0.85			GR99R59 GRF99R59	4P	0.30	3402	4309	20	0.95					0.35	2923	3702				23	1.10	0.43	2384		3019	25	1.30			0.49	2106	2668	26	1.50			0.58	1772	2245			26	1.80			0.65	1592	2016	27	2.00	0.76	1368	1733	27	2.30	0.43	2420	3065	25	1.30		GR99R59 GRF99R59	4P		0.48	2149	2722	26	1.50			0.57	1825	2311	26	1.75			0.63	1641	2078	26	1.95	0.72	1439			1823	27	2.20	0.83	1250	1583	27	2.55	0.94			1102	1396	27	2.90	1.1	970	1228	27	3.30			0.45	2278	2885	15	0.80	GR89R59 GRF89R59	4P	0.67	1555	1969	18	1.05					0.47	2196	2781	10	0.80	GR89R59 GRF89R59	4P	0.50	2057	2606	15	0.80	0.61			1688	2138	17	0.95	0.68	1530			1938	18	1.05	0.75	1374	1740	18	1.20	0.75			1377	1744	19	1.20	0.86	1208	1530			19	1.35	1.0	1033	1308			19	1.60	1.1	906	1148	19	1.80	GR89R59 GRF89R59	4P	1.5	702	889	19	2.35			1.7	616	780			19	2.65			1.9	543	688	19	3.00	2.2	474			601	19	3.50	4.0	259	328	4.3	0.80	GR39R19 GRF39R19			4P	4.5	228	289	4.7		0.90				4.9	209	265	4.9	1.00			5.8	178	226	5.2	1.20			6.5	159	202	5.3			1.30			7.3	141	179	5.4	1.50	3.9	267			338	4.5	0.80	4.4	234	296	4.7	0.90	5.1	204	259	5.0	1.00	5.7	180	228	5.1	1.15	6.6	157	199	5.3	1.35	7.6	136	172	5.4			1.55																																																											
0.26	4039	5116	57	2.10			0.17	5987	7583	27	0.80	GR109R79 GRF109R79	4P			2.5	411	520	12	2.10	GR79R39 GRF79R39	4P			0.19	5324	6743	30	0.85					0.22	4669	5914	31	1.00					0.25	4080	5168	33	1.10					0.30	3502	4435	34	1.30					0.34	3076	3896	35	1.50					0.43	2399	3039	35	1.90			0.33	3093	3918	34	1.45	GR109R79 GRF109R79	4P	0.39	2639	3343	35	1.70		0.43	2395		3034	35	1.90	0.49	2095		2653	35		2.15	0.57	1800	2280	35			2.50	0.63	1632	2067	36	2.80	0.29			3599	4559	20	0.90	GR99R59 GRF99R59	4P	0.33			3161	4004	23	1.00			0.38	2748	3481			24	1.15			0.28	3693	4678	3.8	0.85			GR99R59 GRF99R59	4P	0.30	3402	4309	20	0.95					0.35	2923	3702	23	1.10					0.43	2384	3019				25	1.30	0.49	2106		2668	26	1.50			0.58	1772	2245	26	1.80			0.65	1592	2016	27	2.00	0.76	1368			1733	27	2.30	0.43	2420	3065	25	1.30	GR99R59 GRF99R59	4P	0.48	2149	2722	26	1.50	0.57			1825	2311	26	1.75	0.63	1641			2078	26	1.95	0.72	1439			1823	27	2.20	0.83	1250	1583	27			2.55	0.94	1102	1396	27	2.90	1.1	970	1228			27	3.30	0.45	2278	2885	15	0.80	GR89R59 GRF89R59	4P			0.67	1555	1969	18	1.05			0.47	2196	2781	10	0.80	GR89R59 GRF89R59	4P	0.50	2057	2606	15	0.80	0.61	1688			2138	17	0.95	0.68	1530	1938			18	1.05	0.75	1374	1740	18			1.20	0.75	1377	1744	19	1.20	0.86	1208	1530			19	1.35	1.0	1033	1308	19	1.60			1.1	906	1148	19	1.80			GR89R59 GRF89R59	4P	1.5	702	889	19	2.35			1.7	616	780	19	2.65			1.9	543	688	19	3.00	2.2	474			601	19	3.50	4.0	259	328	4.3			0.80	GR39R19 GRF39R19	4P	4.5	228	289	4.7	0.90					4.9	209	265	4.9		1.00				5.8	178	226	5.2	1.20			6.5	159	202	5.3	1.30			7.3	141	179	5.4	1.50	3.9	267			338	4.5	0.80	4.4	234	296	4.7			0.90	5.1	204	259	5.0	1.00	5.7	180	228	5.1	1.15	6.6	157	199	5.3	1.35	7.6	136	172	5.4	1.55																																																																				
0.17	5987	7583	27	0.80	GR109R79 GRF109R79	4P	2.5	411	520	12	2.10			GR79R39 GRF79R39	4P																																																																																																																																																																																																																																																																																																																																																																																																																																																																																																											
0.19	5324	6743	30	0.85			0.22	4669	5914	31	1.00					0.25	4080	5168	33	1.10					0.30	3502	4435	34	1.30					0.34	3076	3896	35	1.50					0.43	2399	3039	35	1.90					0.33	3093	3918	34	1.45					GR109R79 GRF109R79	4P	0.39	2639	3343			35	1.70	0.43	2395	3034	35	1.90	0.49	2095	2653	35	2.15	0.57	1800			2280	35	2.50	0.63	1632		2067	36		2.80	0.29	3599	4559	20		0.90	GR99R59 GRF99R59		4P	0.33	3161	4004	23			1.00	0.38	2748	3481	24	1.15	0.28			3693	4678	3.8	0.85			GR99R59 GRF99R59			4P	0.30	3402	4309			20	0.95	0.35	2923	3702	23	1.10			0.43	2384	3019	25	1.30					0.49	2106	2668	26	1.50					0.58	1772	2245	26	1.80					0.65	1592	2016			27	2.00	0.76	1368	1733	27	2.30	0.43	2420			3065	25	1.30	GR99R59 GRF99R59	4P			0.48	2149	2722	26	1.50	0.57	1825	2311	26	1.75	0.63	1641	2078	26	1.95	0.72	1439			1823	27	2.20	0.83	1250	1583			27	2.55	0.94	1102	1396	27			2.90	1.1	970	1228	27			3.30	0.45	2278	2885	15	0.80	GR89R59 GRF89R59			4P	0.67	1555	1969	18	1.05	0.47	2196	2781			10	0.80	GR89R59 GRF89R59	4P	0.50	2057	2606	15	0.80	0.61	1688	2138	17	0.95	0.68	1530	1938	18	1.05	0.75	1374	1740	18			1.20	0.75	1377	1744	19	1.20	0.86			1208	1530	19	1.35	1.0	1033			1308	19	1.60	1.1	906	1148			19	1.80	GR89R59 GRF89R59	4P	1.5	702	889	19	2.35			1.7	616	780	19	2.65	1.9	543			688	19	3.00	2.2	474	601	19			3.50	4.0	259	328	4.3			0.80	GR39R19 GRF39R19	4P	4.5	228			289	4.7	0.90	4.9	209	265	4.9			1.00	5.8	178	226	5.2	1.20	6.5			159			202	5.3	1.30	7.3	141					179	5.4	1.50	3.9	267	338		4.5		0.80	4.4	234	296	4.7			0.90	5.1	204	259	5.0			1.00	5.7	180	228	5.1	1.15	6.6			157	199	5.3	1.35	7.6	136	172	5.4	1.55																																																																																									
0.22	4669	5914	31	1.00			0.25	4080	5168	33	1.10					0.30	3502	4435	34	1.30					0.34	3076	3896	35	1.50					0.43	2399	3039	35	1.90					0.33	3093	3918	34	1.45					GR109R79 GRF109R79	4P	0.39	2639	3343			35	1.70			0.43	2395	3034	35	1.90	0.49	2095	2653	35	2.15	0.57	1800	2280	35	2.50	0.63	1632	2067	36			2.80	0.29	3599	4559	20		0.90	GR99R59 GRF99R59		4P	0.33	3161	4004	23		1.00				0.38	2748	3481	24			1.15	0.28	3693	4678	3.8	0.85	GR99R59 GRF99R59			4P	0.30	3402	4309				20	0.95		0.35	2923	3702			23	1.10	0.43	2384	3019	25	1.30			0.49	2106	2668	26	1.50					0.58	1772	2245	26	1.80					0.65	1592	2016	27	2.00	0.76	1368			1733	27	2.30			0.43	2420	3065	25	1.30	GR99R59 GRF99R59	4P	0.48	2149			2722	26	1.50			0.57	1825	2311	26	1.75	0.63	1641	2078	26	1.95	0.72	1439	1823	27	2.20	0.83	1250	1583	27			2.55	0.94	1102	1396	27	2.90			1.1	970	1228	27	3.30	0.45			2278	2885	15	0.80	GR89R59 GRF89R59			4P	0.67	1555	1969	18	1.05					0.47	2196	2781	10	0.80	GR89R59 GRF89R59	4P	0.50	2057	2606	15	0.80			0.61	1688	2138	17	0.95	0.68	1530	1938	18	1.05	0.75	1374	1740	18	1.20	0.75	1377	1744	19			1.20	0.86	1208	1530	19	1.35	1.0			1033	1308	19	1.60	1.1	906			1148	19	1.80	GR89R59 GRF89R59	4P	1.5			702	889			19	2.35	1.7	616	780			19	2.65	1.9	543	688	19	3.00	2.2	474	601	19	3.50	4.0	259	328	4.3			0.80	GR39R19 GRF39R19	4P	4.5	228			289			4.7	0.90			4.9	209	265	4.9	1.00	5.8	178			226	5.2	1.20	6.5	159	202	5.3			1.30			7.3	141	179	5.4	1.50		3.9	267		338	4.5	0.80	4.4	234	296		4.7		0.90	5.1	204	259	5.0			1.00	5.7	180	228	5.1			1.15	6.6	157	199	5.3	1.35	7.6	136	172	5.4	1.55																																																																																																
0.25	4080	5168	33	1.10			0.30	3502	4435	34	1.30					0.34	3076	3896	35	1.50					0.43	2399	3039	35	1.90					0.33	3093	3918	34	1.45					GR109R79 GRF109R79	4P	0.39	2639	3343			35	1.70			0.43	2395	3034	35	1.90	0.49	2095			2653	35	2.15	0.57	1800	2280	35	2.50	0.63	1632	2067	36	2.80	0.29	3599	4559	20	0.90	GR99R59 GRF99R59			4P	0.33	3161	4004	23		1.00				0.38	2748	3481	24		1.15				0.28	3693	4678	3.8			0.85	GR99R59 GRF99R59	4P	0.30	3402	4309		20	0.95		0.35	2923	3702				23	1.10		0.43	2384	3019			25	1.30	0.49	2106	2668	26	1.50			0.58	1772	2245	26	1.80					0.65	1592	2016	27	2.00	0.76	1368			1733	27	2.30	0.43	2420	3065	25			1.30	GR99R59 GRF99R59	4P			0.48	2149	2722	26	1.50			0.57	1825	2311	26	1.75	0.63	1641			2078	26	1.95	0.72	1439	1823	27	2.20	0.83	1250	1583	27	2.55	0.94	1102	1396	27	2.90	1.1			970	1228	27	3.30	0.45	2278			2885	15	0.80	GR89R59 GRF89R59	4P	0.67			1555	1969	18	1.05					0.47	2196	2781	10	0.80	GR89R59 GRF89R59	4P	0.50	2057	2606	15	0.80	0.61	1688			2138	17	0.95	0.68	1530			1938	18	1.05	0.75	1374	1740	18	1.20	0.75	1377	1744	19	1.20	0.86	1208	1530	19	1.35	1.0			1033	1308	19	1.60	1.1	906	1148			19	1.80	GR89R59 GRF89R59	4P	1.5	702			889	19	2.35			1.7			616	780			19	2.65	1.9	543	688	19	3.00	2.2	474	601	19	3.50	4.0	259	328	4.3	0.80	GR39R19 GRF39R19	4P	4.5	228	289	4.7			0.90			4.9	209			265			4.9	1.00			5.8	178	226	5.2	1.20	6.5	159			202	5.3	1.30	7.3	141	179	5.4	1.50	3.9	267			338	4.5	0.80	4.4	234		296	4.7		0.90	5.1	204	259	5.0	1.00		5.7		180	228	5.1	1.15	6.6			157	199	5.3	1.35	7.6	136	172	5.4	1.55																																																																																																									
0.30	3502	4435	34	1.30			0.34	3076	3896	35	1.50					0.43	2399	3039	35	1.90					0.33	3093	3918	34	1.45					GR109R79 GRF109R79	4P	0.39	2639	3343			35	1.70			0.43	2395	3034	35	1.90	0.49	2095			2653	35	2.15	0.57	1800	2280	35			2.50	0.63	1632	2067	36	2.80	0.29	3599	4559	20	0.90	GR99R59 GRF99R59	4P	0.33	3161	4004	23	1.00					0.38	2748	3481	24		1.15				0.28	3693	4678	3.8		0.85				GR99R59 GRF99R59	4P	0.30	3402	4309	20	0.95			0.35	2923	3702		23	1.10		0.43	2384	3019				25	1.30		0.49	2106	2668			26	1.50	0.58	1772	2245	26	1.80			0.65	1592	2016	27	2.00	0.76	1368			1733	27	2.30	0.43	2420	3065	25			1.30	GR99R59 GRF99R59	4P	0.48	2149	2722	26			1.50			0.57	1825	2311	26	1.75	0.63	1641			2078	26	1.95	0.72	1439	1823	27			2.20	0.83	1250	1583	27	2.55	0.94	1102	1396	27	2.90	1.1	970	1228	27	3.30	0.45	2278	2885			15	0.80	GR89R59 GRF89R59	4P	0.67	1555			1969	18	1.05			0.47			2196	2781	10	0.80	GR89R59 GRF89R59	4P	0.50	2057	2606	15	0.80	0.61	1688			2138	17	0.95	0.68	1530	1938	18			1.05	0.75	1374	1740	18			1.20	0.75	1377	1744	19	1.20	0.86	1208	1530	19	1.35	1.0	1033	1308	19	1.60	1.1	906	1148			19	1.80	GR89R59 GRF89R59	4P	1.5	702	889			19	2.35			1.7	616			780	19	2.65			1.9	543	688	19	3.00			2.2	474	601	19	3.50	4.0	259	328	4.3	0.80	GR39R19 GRF39R19	4P	4.5	228	289	4.7	0.90			4.9	209	265	4.9			1.00			5.8	178			226			5.2	1.20			6.5	159	202	5.3	1.30	7.3	141	179	5.4	1.50	3.9	267	338	4.5	0.80	4.4	234	296	4.7			0.90	5.1	204	259	5.0		1.00	5.7		180	228	5.1	1.15	6.6	157		199		5.3	1.35	7.6	136	172	5.4	1.55																																																																																																																		
0.34	3076	3896	35	1.50			0.43	2399	3039	35	1.90					0.33	3093	3918	34	1.45					GR109R79 GRF109R79	4P	0.39	2639	3343			35	1.70			0.43	2395	3034	35	1.90	0.49	2095			2653	35	2.15	0.57	1800	2280	35			2.50	0.63	1632	2067	36	2.80	0.29			3599	4559	20	0.90	GR99R59 GRF99R59	4P	0.33	3161	4004	23	1.00			0.38	2748	3481	24	1.15					0.28	3693	4678	3.8		0.85				GR99R59 GRF99R59	4P	0.30	3402	4309	20		0.95				0.35	2923	3702	23	1.10			0.43	2384	3019		25	1.30		0.49	2106	2668				26	1.50		0.58	1772	2245			26	1.80	0.65	1592	2016	27	2.00	0.76	1368	1733	27	2.30	0.43	2420	3065	25			1.30	GR99R59 GRF99R59	4P	0.48	2149	2722	26			1.50			0.57	1825	2311	26	1.75	0.63	1641			2078	26	1.95	0.72	1439	1823	27			2.20	0.83	1250	1583	27	2.55	0.94			1102	1396	27	2.90	1.1	970	1228	27	3.30	0.45	2278	2885	15	0.80	GR89R59 GRF89R59	4P	0.67	1555	1969			18	1.05			0.47	2196			2781	10	0.80	GR89R59 GRF89R59	4P	0.50	2057	2606	15	0.80	0.61	1688			2138	17	0.95	0.68	1530	1938	18			1.05	0.75	1374	1740	18	1.20	0.75			1377	1744	19	1.20	0.86			1208	1530	19	1.35	1.0	1033	1308	19	1.60	1.1	906	1148	19	1.80	GR89R59 GRF89R59	4P	1.5	702	889			19	2.35			1.7	616	780			19	2.65			1.9	543	688	19	3.00	2.2	474			601	19	3.50	4.0	259			328	4.3	0.80	GR39R19 GRF39R19	4P	4.5	228	289	4.7	0.90			4.9	209	265	4.9	1.00			5.8	178	226	5.2			1.20			6.5	159			202			5.3	1.30	7.3	141	179	5.4	1.50	3.9	267	338	4.5	0.80	4.4	234	296	4.7	0.90	5.1	204	259	5.0	1.00	5.7			180	228	5.1	1.15	6.6		157	199		5.3	1.35	7.6	136	172	5.4	1.55																																																																																																																											
0.43	2399	3039	35	1.90			0.33	3093	3918	34	1.45					GR109R79 GRF109R79	4P	0.39	2639	3343			35	1.70			0.43	2395	3034	35	1.90	0.49	2095			2653	35	2.15	0.57	1800	2280	35			2.50	0.63	1632	2067	36	2.80	0.29			3599	4559	20	0.90	GR99R59 GRF99R59	4P	0.33			3161	4004	23	1.00			0.38	2748	3481	24	1.15			0.28	3693	4678	3.8	0.85					GR99R59 GRF99R59	4P	0.30	3402	4309	20		0.95				0.35	2923	3702	23		1.10				0.43	2384	3019	25	1.30			0.49	2106	2668		26	1.50		0.58	1772	2245				26	1.80		0.65	1592	2016	27	2.00	0.76	1368	1733	27	2.30	0.43	2420	3065	25	1.30	GR99R59 GRF99R59	4P	0.48	2149	2722	26			1.50			0.57	1825	2311	26	1.75	0.63	1641			2078	26	1.95	0.72	1439	1823	27			2.20	0.83	1250	1583	27	2.55	0.94			1102	1396	27	2.90	1.1	970	1228			27	3.30	0.45	2278	2885	15	0.80	GR89R59 GRF89R59	4P	0.67	1555	1969	18	1.05			0.47	2196	2781			10	0.80	GR89R59 GRF89R59	4P	0.50	2057	2606	15	0.80	0.61	1688			2138	17	0.95	0.68	1530	1938	18			1.05	0.75	1374	1740	18	1.20	0.75			1377	1744	19	1.20	0.86	1208	1530			19	1.35	1.0	1033	1308			19	1.60	1.1	906	1148	19	1.80	GR89R59 GRF89R59	4P	1.5	702	889	19	2.35			1.7	616	780			19	2.65			1.9	543	688	19	3.00	2.2	474			601	19	3.50	4.0	259	328	4.3			0.80	GR39R19 GRF39R19	4P	4.5	228			289	4.7	0.90			4.9	209	265	4.9	1.00			5.8	178	226	5.2	1.20			6.5	159	202	5.3			1.30			7.3	141	179	5.4	1.50			3.9	267	338	4.5	0.80	4.4	234	296	4.7	0.90	5.1	204	259	5.0	1.00	5.7	180	228	5.1	1.15	6.6	157	199			5.3	1.35	7.6	136	172	5.4	1.55																																																																																																																																				
0.33	3093	3918	34	1.45			GR109R79 GRF109R79	4P	0.39	2639	3343	35	1.70					0.43	2395	3034	35	1.90	0.49	2095			2653	35	2.15	0.57	1800	2280	35			2.50	0.63	1632	2067	36	2.80	0.29			3599	4559	20	0.90	GR99R59 GRF99R59	4P	0.33			3161	4004	23	1.00			0.38			2748	3481	24	1.15			0.28	3693	4678	3.8	0.85			GR99R59 GRF99R59	4P	0.30	3402	4309		20	0.95				0.35	2923	3702	23		1.10				0.43	2384	3019	25		1.30				0.49	2106	2668	26	1.50			0.58	1772	2245		26	1.80		0.65	1592	2016	27	2.00		0.76	1368		1733	27	2.30	0.43	2420	3065	25	1.30	GR99R59 GRF99R59	4P	0.48	2149	2722	26	1.50			0.57	1825	2311	26	1.75	0.63	1641			2078	26	1.95	0.72	1439	1823	27			2.20	0.83	1250	1583	27	2.55	0.94			1102	1396	27	2.90	1.1	970	1228			27	3.30	0.45	2278	2885	15	0.80			GR89R59 GRF89R59	4P	0.67	1555	1969	18	1.05			0.47	2196	2781	10	0.80	GR89R59 GRF89R59	4P	0.50	2057	2606	15	0.80	0.61	1688			2138	17	0.95	0.68	1530	1938	18			1.05	0.75	1374	1740	18	1.20	0.75			1377	1744	19	1.20	0.86	1208	1530			19	1.35	1.0	1033	1308	19	1.60			1.1	906	1148	19	1.80			GR89R59 GRF89R59	4P	1.5	702	889	19	2.35			1.7	616	780	19	2.65			1.9	543	688	19	3.00	2.2	474			601	19	3.50	4.0	259	328	4.3			0.80	GR39R19 GRF39R19	4P	4.5	228	289	4.7			0.90			4.9	209			265	4.9	1.00			5.8	178	226	5.2	1.20			6.5	159	202	5.3	1.30			7.3	141	179	5.4	1.50	3.9	267			338	4.5	0.80	4.4	234			296	4.7	0.90	5.1	204	259	5.0	1.00	5.7	180	228	5.1	1.15	6.6	157	199	5.3	1.35	7.6	136	172	5.4	1.55																																																																																																																																													
0.39	2639	3343	35	1.70	0.43	2395			3034	35	1.90	0.49	2095	2653	35			2.15	0.57	1800	2280	35	2.50	0.63			1632	2067	36	2.80	0.29	3599	4559			20	0.90	GR99R59 GRF99R59	4P	0.33	3161	4004			23	1.00	0.38	2748			3481			24	1.15	0.28	3693			4678			3.8	0.85	GR99R59 GRF99R59	4P			0.30	3402	4309	20	0.95					0.35	2923	3702		23	1.10				0.43	2384	3019	25		1.30				0.49	2106	2668	26		1.50				0.58	1772	2245	26	1.80			0.65	1592	2016		27	2.00		0.76	1368	1733	27	2.30		0.43	2420		3065	25	1.30	GR99R59 GRF99R59	4P	0.48	2149	2722			26	1.50	0.57	1825	2311			26	1.75	0.63	1641	2078	26	1.95			0.72	1439	1823	27	2.20	0.83	1250			1583	27	2.55	0.94	1102	1396	27			2.90	1.1	970	1228	27	3.30	0.45			2278	2885	15	0.80	GR89R59 GRF89R59	4P	0.67					1555	1969	18	1.05	0.47	2196	2781	10	0.80	GR89R59 GRF89R59	4P	0.50			2057	2606	15	0.80	0.61	1688	2138			17	0.95	0.68	1530	1938	18	1.05			0.75	1374	1740	18	1.20	0.75	1377			1744	19	1.20	0.86	1208	1530	19			1.35	1.0	1033	1308	19	1.60	1.1			906	1148	19	1.80	GR89R59 GRF89R59					4P	1.5	702	889	19			2.35	1.7	616	780	19			2.65	1.9	543	688	19	3.00	2.2			474	601	19	3.50	4.0	259	328			4.3			0.80	GR39R19 GRF39R19	4P	4.5			228			289	4.7			0.90	4.9	209			265	4.9	1.00	5.8	178			226	5.2	1.20	6.5	159			202	5.3	1.30	7.3	141	179	5.4			1.50	3.9	267	338	4.5			0.80	4.4	234	296	4.7	0.90	5.1	204	259	5.0	1.00	5.7	180	228	5.1	1.15	6.6	157	199	5.3	1.35	7.6	136	172	5.4	1.55																																																																																																																																										
0.43	2395	3034	35	1.90	0.49	2095			2653	35	2.15	0.57	1800	2280	35			2.50	0.63	1632	2067	36	2.80	0.29			3599	4559	20	0.90	GR99R59 GRF99R59	4P	0.33			3161	4004			23	1.00	0.38			2748	3481	24	1.15			0.28			3693	4678	3.8	0.85			GR99R59 GRF99R59	4P	0.30	3402	4309					20	0.95	0.35	2923	3702					23	1.10	0.43		2384	3019				25	1.30	0.49	2106		2668				26	1.50	0.58	1772	2245	26	1.80			0.65	1592	2016	27	2.00			0.76	1368	1733		27	2.30		0.43	2420	3065	25	1.30	GR99R59 GRF99R59	4P	0.48	2149	2722	26	1.50			0.57	1825	2311			26	1.75	0.63	1641	2078			26	1.95	0.72	1439	1823	27	2.20			0.83	1250	1583	27	2.55	0.94	1102			1396	27	2.90	1.1	970	1228	27			3.30	0.45	2278	2885	15	0.80	GR89R59 GRF89R59			4P	0.67	1555	1969			18	1.05	0.47	2196	2781	10	0.80	GR89R59 GRF89R59	4P	0.50	2057	2606	15	0.80			0.61			1688	2138	17	0.95	0.68	1530	1938			18	1.05	0.75	1374	1740	18	1.20			0.75	1377	1744	19	1.20	0.86	1208			1530	19	1.35	1.0	1033	1308	19			1.60	1.1	906	1148	19	1.80	GR89R59 GRF89R59			4P	1.5	702	889		19	2.35				1.7	616	780	19			2.65	1.9	543	688	19			3.00	2.2	474	601	19	3.50	4.0			259	328	4.3	0.80	GR39R19 GRF39R19	4P	4.5			228			289			4.7			0.90			4.9	209	265	4.9	1.00	5.8	178			226	5.2	1.20	6.5	159			202	5.3	1.30	7.3	141			179	5.4	1.50	3.9	267	338	4.5			0.80	4.4	234	296	4.7	0.90	5.1	204	259	5.0	1.00	5.7	180	228	5.1	1.15	6.6	157	199	5.3	1.35	7.6	136	172	5.4	1.55																																																																																																																																																	
0.49	2095	2653	35	2.15	0.57	1800			2280	35	2.50	0.63	1632	2067	36			2.80	0.29	3599	4559	20	0.90	GR99R59 GRF99R59			4P	0.33	3161	4004			23			1.00	0.38			2748	3481	24			1.15	0.28	3693	4678			3.8	0.85	GR99R59 GRF99R59	4P	0.30	3402	4309					20	0.95	0.35					2923	3702	23	1.10	0.43					2384	3019	25		1.30	0.49				2106	2668	26	1.50	0.58	1772	2245			26	1.80	0.65	1592	2016	27	2.00			0.76	1368	1733	27	2.30			0.43	2420	3065	25	1.30	GR99R59 GRF99R59	4P	0.48	2149	2722	26	1.50			0.57	1825	2311	26	1.75			0.63	1641	2078			26	1.95	0.72	1439	1823			27	2.20	0.83	1250	1583	27	2.55			0.94	1102	1396	27	2.90	1.1	970			1228	27	3.30	0.45	2278	2885	15			0.80	GR89R59 GRF89R59	4P	0.67	1555	1969		18	1.05		0.47	2196	2781	10	0.80	GR89R59 GRF89R59	4P	0.50	2057	2606	15	0.80			0.61	1688	2138	17	0.95			0.68			1530	1938	18	1.05	0.75	1374	1740			18	1.20	0.75	1377	1744	19	1.20			0.86	1208	1530	19	1.35	1.0	1033			1308	19	1.60	1.1	906	1148	19			1.80	GR89R59 GRF89R59	4P	1.5	702	889		19	2.35		1.7	616	780		19	2.65				1.9	543	688	19			3.00	2.2	474	601	19			3.50	4.0	259	328	4.3	0.80	GR39R19 GRF39R19			4P	4.5	228	289			4.7			0.90			4.9			209	265	4.9	1.00			5.8	178	226	5.2	1.20	6.5	159			202	5.3	1.30	7.3	141			179	5.4	1.50	3.9	267			338	4.5	0.80	4.4	234	296	4.7	0.90	5.1	204	259	5.0	1.00	5.7	180	228	5.1	1.15	6.6	157	199	5.3	1.35	7.6	136	172	5.4	1.55																																																																																																																																																								
0.57	1800	2280	35	2.50	0.63	1632			2067	36	2.80	0.29	3599	4559	20			0.90	GR99R59 GRF99R59	4P	0.33	3161	4004					23	1.00	0.38			2748			3481	24			1.15	0.28	3693	4678	3.8	0.85	GR99R59 GRF99R59	4P	0.30			3402	4309			20	0.95	0.35					2923	3702	23					1.10	0.43	2384	3019	25					1.30	0.49	2106	2668	26	1.50	0.58			1772	2245	26	1.80	0.65	1592	2016			27	2.00	0.76	1368	1733	27	2.30			0.43	2420	3065	25	1.30	GR99R59 GRF99R59	4P	0.48	2149	2722	26	1.50			0.57	1825	2311	26	1.75			0.63	1641	2078	26	1.95			0.72	1439	1823			27	2.20	0.83	1250	1583			27	2.55	0.94	1102	1396	27	2.90			1.1	970	1228	27	3.30	0.45	2278			2885	15	0.80	GR89R59 GRF89R59	4P	0.67	1555	1969	18	1.05			0.47	2196	2781	10	0.80	GR89R59 GRF89R59	4P	0.50	2057	2606	15	0.80			0.61	1688	2138	17	0.95			0.68	1530	1938	18	1.05			0.75			1374	1740	18	1.20	0.75	1377	1744			19	1.20	0.86	1208	1530	19	1.35			1.0	1033	1308	19	1.60	1.1	906			1148	19	1.80	GR89R59 GRF89R59	4P	1.5	702	889	19	2.35			1.7	616	780		19	2.65		1.9	543	688		19	3.00				2.2	474	601	19			3.50	4.0	259	328	4.3			0.80	GR39R19 GRF39R19	4P	4.5	228	289					4.7	0.90	4.9			209	265	4.9	1.00			5.8			178	226	5.2	1.20			6.5	159	202	5.3	1.30	7.3	141			179	5.4	1.50	3.9	267			338	4.5	0.80	4.4	234	296	4.7	0.90	5.1	204	259	5.0	1.00	5.7	180	228	5.1	1.15	6.6	157	199	5.3	1.35	7.6	136	172	5.4	1.55																																																																																																																																																															
0.63	1632	2067	36	2.80	0.29	3599			4559	20	0.90	GR99R59 GRF99R59	4P	0.33	3161			4004			23	1.00	0.38					2748	3481	24			1.15	0.28	3693	4678	3.8			0.85	GR99R59 GRF99R59	4P	0.30	3402	4309			20			0.95	0.35			2923	3702	23					1.10	0.43	2384					3019	25	1.30	0.49	2106	2668	26			1.50	0.58	1772	2245	26	1.80	0.65			1592	2016	27	2.00	0.76	1368	1733			27	2.30	0.43	2420	3065	25	1.30	GR99R59 GRF99R59	4P	0.48	2149	2722	26	1.50			0.57	1825	2311	26	1.75			0.63	1641	2078	26	1.95			0.72	1439	1823	27	2.20			0.83	1250	1583			27	2.55	0.94	1102	1396			27	2.90	1.1	970	1228	27	3.30			0.45	2278	2885	15	0.80	GR89R59 GRF89R59	4P	0.67	1555	1969	18	1.05			0.47	2196	2781	10	0.80	GR89R59 GRF89R59	4P	0.50	2057	2606	15	0.80			0.61	1688	2138	17	0.95			0.68	1530	1938	18	1.05			0.75	1374	1740	18	1.20			0.75			1377	1744	19	1.20	0.86	1208	1530			19	1.35	1.0	1033	1308	19	1.60			1.1	906	1148	19	1.80	GR89R59 GRF89R59	4P	1.5	702	889	19	2.35			1.7	616	780	19	2.65			1.9	543	688		19	3.00		2.2	474	601		19	3.50				4.0	259	328	4.3			0.80	GR39R19 GRF39R19	4P	4.5	228			289			4.7	0.90	4.9		209	265		4.9	1.00	5.8			178	226	5.2	1.20			6.5			159	202	5.3	1.30			7.3	141	179	5.4	1.50	3.9	267			338	4.5	0.80	4.4	234	296	4.7	0.90	5.1	204	259	5.0	1.00	5.7	180	228	5.1	1.15	6.6	157	199	5.3	1.35	7.6	136	172	5.4	1.55																																																																																																																																																																						
0.29	3599	4559	20	0.90	GR99R59 GRF99R59	4P			0.33	3161	4004			23	1.00			0.38			2748	3481	24		1.15	0.28		3693	4678	3.8			0.85	GR99R59 GRF99R59	4P	0.30	3402			4309			20	0.95	0.35			2923			3702	23			1.10	0.43	2384					3019	25	1.30			0.49	2106	2668	26	1.50	0.58	1772	2245	26			1.80	0.65	1592	2016	27	2.00	0.76			1368	1733	27	2.30	0.43	2420	3065	25	1.30	GR99R59 GRF99R59	4P	0.48	2149	2722	26	1.50			0.57	1825	2311	26	1.75			0.63	1641	2078	26	1.95			0.72	1439	1823	27	2.20			0.83	1250	1583	27	2.55			0.94	1102	1396			27	2.90	1.1	970	1228			27	3.30	0.45	2278	2885	15	0.80	GR89R59 GRF89R59	4P	0.67	1555	1969	18	1.05			0.47	2196	2781	10	0.80	GR89R59 GRF89R59	4P	0.50	2057	2606	15	0.80			0.61	1688	2138	17	0.95			0.68	1530	1938	18	1.05			0.75	1374	1740	18	1.20			0.75	1377	1744	19	1.20			0.86			1208	1530	19	1.35	1.0	1033	1308			19	1.60	1.1	906	1148	19	1.80	GR89R59 GRF89R59	4P	1.5	702	889	19	2.35			1.7	616	780	19	2.65			1.9	543	688	19	3.00			2.2	474	601		19	3.50		4.0	259	328		4.3	0.80				GR39R19 GRF39R19	4P	4.5	228			289			4.7	0.90	4.9	209	265			4.9	1.00	5.8		178	226		5.2	1.20	6.5			159	202	5.3	1.30			7.3			141	179	5.4	1.50			3.9	267	338	4.5	0.80	4.4	234	296	4.7	0.90	5.1	204	259	5.0	1.00	5.7	180	228	5.1	1.15	6.6	157	199	5.3	1.35	7.6	136	172	5.4	1.55																																																																																																																																																																													
0.33	3161	4004	23	1.00					0.38	2748	3481			24	1.15	0.28	3693	4678			3.8	0.85	GR99R59 GRF99R59		4P	0.30		3402	4309	20			0.95			0.35	2923			3702			23	1.10	0.43			2384			3019	25			1.30	0.49	2106	2668	26			1.50	0.58	1772			2245	26	1.80	0.65	1592	2016	27	2.00	0.76			1368	1733	27	2.30	0.43	2420	3065	25	1.30	GR99R59 GRF99R59	4P	0.48	2149	2722	26	1.50	0.57	1825			2311	26	1.75	0.63	1641			2078	26	1.95	0.72	1439			1823	27	2.20	0.83	1250			1583	27	2.55	0.94	1102			1396	27	2.90	1.1	970			1228	27	3.30			0.45	2278	2885	15	0.80	GR89R59 GRF89R59	4P	0.67	1555	1969	18	1.05	0.47	2196			2781	10	0.80	GR89R59 GRF89R59	4P	0.50	2057	2606	15	0.80	0.61	1688			2138	17	0.95	0.68	1530			1938	18	1.05	0.75	1374			1740	18	1.20	0.75	1377			1744	19	1.20	0.86	1208			1530	19	1.35	1.0	1033			1308			19	1.60	1.1	906	1148	19	1.80	GR89R59 GRF89R59	4P	1.5	702	889	19	2.35	1.7	616			780	19	2.65	1.9	543			688	19	3.00	2.2	474			601	19	3.50	4.0	259			328	4.3	0.80		GR39R19 GRF39R19	4P		4.5	228	289		4.7	0.90						4.9	209	265	4.9	1.00			5.8	178	226	5.2	1.20			6.5	159	202		5.3	1.30		7.3	141	179			5.4	1.50	3.9	267			338			4.5	0.80	4.4	234	296	4.7	0.90	5.1	204	259	5.0	1.00	5.7	180	228	5.1	1.15	6.6	157	199	5.3	1.35	7.6	136	172	5.4	1.55																																																																																																																																																																																						
0.38	2748	3481	24	1.15			0.28	3693	4678	3.8	0.85			GR99R59 GRF99R59	4P	0.30	3402	4309			20	0.95				0.35		2923	3702	23			1.10			0.43	2384			3019			25	1.30	0.49			2106	2668	26	1.50	0.58			1772	2245	26	1.80	0.65			1592	2016	27			2.00	0.76	1368	1733	27	2.30	0.43	2420	3065	25	1.30	GR99R59 GRF99R59	4P	0.48	2149	2722	26	1.50	0.57	1825			2311	26	1.75	0.63	1641	2078	26			1.95	0.72	1439	1823	27			2.20	0.83	1250	1583	27			2.55	0.94	1102	1396	27			2.90	1.1	970	1228	27			3.30	0.45	2278	2885	15			0.80	GR89R59 GRF89R59	4P	0.67	1555	1969	18	1.05	0.47	2196			2781	10	0.80	GR89R59 GRF89R59	4P	0.50	2057	2606	15	0.80	0.61	1688			2138	17	0.95	0.68	1530	1938	18			1.05	0.75	1374	1740	18			1.20	0.75	1377	1744	19			1.20	0.86	1208	1530	19			1.35	1.0	1033	1308	19			1.60	1.1	906	1148	19			1.80	GR89R59 GRF89R59	4P	1.5	702	889	19	2.35	1.7	616			780	19	2.65	1.9	543	688	19			3.00	2.2	474	601	19			3.50	4.0	259	328	4.3			0.80	GR39R19 GRF39R19	4P	4.5	228			289	4.7	0.90					4.9	209	265		4.9	1.00	5.8	178				226	5.2	1.20	6.5	159			202	5.3	1.30	7.3	141			179	5.4	1.50		3.9	267		338	4.5	0.80			4.4	234	296	4.7	0.90	5.1	204			259	5.0	1.00	5.7	180	228	5.1	1.15	6.6	157	199	5.3	1.35	7.6	136	172	5.4	1.55																																																																																																																																																																																															
0.28	3693	4678	3.8	0.85			GR99R59 GRF99R59	4P	0.30	3402	4309					20	0.95	0.35			2923	3702				23		1.10	0.43	2384			3019			25	1.30	0.49	2106	2668			26	1.50	0.58			1772	2245	26	1.80	0.65			1592	2016	27	2.00	0.76			1368	1733	27	2.30	0.43	2420	3065	25	1.30	GR99R59 GRF99R59	4P	0.48	2149	2722	26	1.50			0.57	1825	2311	26	1.75	0.63	1641			2078	26	1.95	0.72	1439	1823	27			2.20	0.83	1250	1583	27			2.55	0.94	1102	1396	27			2.90	1.1	970	1228	27			3.30	0.45	2278	2885	15			0.80	GR89R59 GRF89R59	4P	0.67	1555	1969	18	1.05			0.47	2196	2781	10	0.80	GR89R59 GRF89R59	4P	0.50	2057	2606	15	0.80			0.61	1688	2138	17	0.95	0.68	1530			1938	18	1.05	0.75	1374	1740	18			1.20	0.75	1377	1744	19			1.20	0.86	1208	1530	19			1.35	1.0	1033	1308	19			1.60	1.1	906	1148	19			1.80	GR89R59 GRF89R59	4P	1.5	702	889	19	2.35			1.7	616	780	19	2.65	1.9	543			688	19	3.00	2.2	474	601	19			3.50	4.0	259	328	4.3			0.80	GR39R19 GRF39R19	4P	4.5	228			289			4.7	0.90			4.9	209	265					4.9	1.00	5.8	178	226	5.2	1.20	6.5	159			202	5.3	1.30	7.3	141			179	5.4	1.50	3.9	267			338	4.5	0.80		4.4	234		296	4.7	0.90			5.1	204	259	5.0	1.00	5.7	180	228	5.1	1.15	6.6	157	199	5.3	1.35	7.6	136	172	5.4	1.55																																																																																																																																																																																																						
0.30	3402	4309	20	0.95					0.35	2923	3702					23	1.10	0.43			2384	3019				25		1.30	0.49	2106	2668	26	1.50			0.58	1772	2245	26	1.80			0.65	1592	2016			27	2.00	0.76	1368	1733			27	2.30	0.43	2420	3065	25	1.30	GR99R59 GRF99R59	4P	0.48	2149	2722	26	1.50	0.57	1825			2311	26	1.75	0.63	1641			2078	26	1.95	0.72	1439	1823	27			2.20	0.83	1250	1583	27	2.55	0.94			1102	1396	27	2.90	1.1			970	1228	27	3.30	0.45			2278	2885	15	0.80	GR89R59 GRF89R59			4P	0.67	1555	1969	18	1.05	0.47	2196			2781	10	0.80	GR89R59 GRF89R59	4P	0.50	2057	2606	15	0.80	0.61	1688			2138	17	0.95	0.68	1530			1938	18	1.05	0.75	1374	1740	18			1.20	0.75	1377	1744	19	1.20	0.86			1208	1530	19	1.35	1.0			1033	1308	19	1.60	1.1			906	1148	19	1.80	GR89R59 GRF89R59			4P	1.5	702	889	19	2.35	1.7	616			780	19	2.65	1.9	543			688	19	3.00	2.2	474	601	19			3.50	4.0	259	328	4.3	0.80	GR39R19 GRF39R19			4P	4.5	228	289	4.7			0.90			4.9	209			265			4.9	1.00			5.8	178	226	5.2			1.20	6.5	159	202	5.3	1.30	7.3	141	179	5.4			1.50	3.9	267	338	4.5			0.80	4.4	234	296	4.7			0.90	5.1	204		259	5.0		1.00	5.7	180	228	5.1	1.15	6.6	157	199	5.3	1.35	7.6	136	172	5.4	1.55																																																																																																																																																																																																															
0.35	2923	3702	23	1.10					0.43	2384	3019					25	1.30	0.49			2106	2668		26		1.50	0.58	1772	2245	26	1.80	0.65	1592			2016	27	2.00	0.76	1368			1733	27	2.30			0.43	2420	3065	25	1.30	GR99R59 GRF99R59	4P	0.48	2149	2722	26	1.50	0.57	1825			2311	26	1.75	0.63	1641	2078	26			1.95	0.72	1439	1823	27			2.20	0.83	1250	1583	27	2.55	0.94			1102	1396	27	2.90	1.1	970	1228			27	3.30	0.45	2278	2885			15	0.80	GR89R59 GRF89R59	4P	0.67			1555	1969	18	1.05		0.47	2196		2781	10	0.80	GR89R59 GRF89R59	4P	0.50	2057	2606	15	0.80	0.61	1688			2138	17	0.95	0.68	1530	1938	18			1.05	0.75	1374	1740	18			1.20	0.75	1377	1744	19	1.20	0.86			1208	1530	19	1.35	1.0	1033	1308			19	1.60	1.1	906	1148			19	1.80	GR89R59 GRF89R59	4P	1.5			702	889	19	2.35		1.7	616		780	19	2.65	1.9	543	688	19			3.00	2.2	474	601	19			3.50	4.0	259	328	4.3	0.80	GR39R19 GRF39R19			4P	4.5	228	289	4.7	0.90					4.9	209	265	4.9			1.00			5.8	178			226			5.2	1.20	6.5	159	202	5.3	1.30	7.3			141	179	5.4	1.50	3.9	267	338	4.5	0.80	4.4			234	296	4.7	0.90	5.1			204	259	5.0	1.00	5.7			180	228	5.1	1.15	6.6	157	199	5.3	1.35	7.6	136	172	5.4	1.55																																																																																																																																																																																																																								
0.43	2384	3019	25	1.30					0.49	2106	2668					26	1.50	0.58	1772	2245	26	1.80		0.65		1592	2016	27	2.00	0.76	1368	1733	27			2.30	0.43	2420	3065	25			1.30	GR99R59 GRF99R59	4P	0.48	2149	2722	26	1.50	0.57	1825			2311	26	1.75	0.63	1641	2078	26			1.95	0.72	1439	1823	27	2.20	0.83			1250	1583	27	2.55	0.94			1102	1396	27	2.90	1.1	970	1228			27	3.30	0.45	2278	2885	15	0.80			GR89R59 GRF89R59	4P	0.67	1555	1969			18	1.05			0.47	2196	2781	10	0.80	GR89R59 GRF89R59	4P	0.50	2057	2606	15	0.80	0.61	1688			2138	17	0.95	0.68	1530	1938	18			1.05	0.75	1374	1740	18	1.20	0.75			1377	1744	19	1.20	0.86			1208	1530	19	1.35	1.0	1033	1308			19	1.60	1.1	906	1148	19	1.80			GR89R59 GRF89R59	4P	1.5	702	889			19	2.35			1.7	616	780	19	2.65	1.9	543		688	19		3.00	2.2	474	601	19	3.50	4.0			259	328	4.3	0.80	GR39R19 GRF39R19			4P	4.5	228	289	4.7	0.90					4.9	209	265	4.9	1.00					5.8	178	226	5.2			1.20			6.5	159	202	5.3	1.30			7.3	141	179	5.4	1.50	3.9	267	338			4.5	0.80	4.4	234	296	4.7	0.90	5.1	204	259			5.0	1.00	5.7	180	228			5.1	1.15	6.6	157	199	5.3	1.35	7.6	136	172	5.4	1.55																																																																																																																																																																																																																																	
0.49	2106	2668	26	1.50					0.58	1772	2245	26	1.80			0.65	1592	2016	27	2.00	0.76	1368		1733		27	2.30	0.43	2420	3065	25	1.30	GR99R59 GRF99R59			4P	0.48	2149	2722	26	1.50	0.57	1825			2311	26	1.75	0.63	1641	2078	26			1.95	0.72	1439	1823	27	2.20	0.83			1250	1583	27	2.55	0.94	1102	1396			27	2.90	1.1	970	1228			27	3.30	0.45	2278	2885	15	0.80			GR89R59 GRF89R59	4P	0.67	1555	1969	18	1.05					0.47	2196	2781	10	0.80	GR89R59 GRF89R59	4P	0.50	2057	2606	15	0.80	0.61	1688			2138	17	0.95	0.68	1530	1938	18			1.05	0.75	1374	1740	18	1.20	0.75			1377	1744	19	1.20	0.86	1208	1530			19	1.35	1.0	1033	1308			19	1.60	1.1	906	1148	19	1.80			GR89R59 GRF89R59	4P	1.5	702	889	19	2.35					1.7	616	780	19	2.65	1.9	543			688	19	3.00	2.2	474	601	19		3.50	4.0		259	328	4.3	0.80	GR39R19 GRF39R19	4P	4.5			228	289	4.7	0.90					4.9	209	265	4.9	1.00					5.8	178	226	5.2	1.20					6.5	159	202	5.3	1.30	7.3	141			179	5.4	1.50	3.9	267			338	4.5	0.80	4.4	234	296	4.7	0.90			5.1	204	259	5.0	1.00	5.7	180	228	5.1	1.15			6.6	157	199	5.3	1.35	7.6	136	172	5.4	1.55																																																																																																																																																																																																																																										
0.58	1772	2245	26	1.80	0.65	1592			2016	27	2.00	0.76	1368			1733	27	2.30	0.43	2420	3065	25		1.30		GR99R59 GRF99R59	4P	0.48	2149	2722	26	1.50		0.57	1825		2311	26	1.75	0.63	1641	2078	26			1.95	0.72	1439	1823	27	2.20	0.83			1250	1583	27	2.55	0.94	1102	1396			27	2.90	1.1	970	1228	27	3.30			0.45	2278	2885	15	0.80			GR89R59 GRF89R59	4P	0.67	1555	1969	18	1.05					0.47	2196	2781	10	0.80	GR89R59 GRF89R59	4P	0.50	2057	2606	15	0.80	0.61	1688			2138	17	0.95	0.68	1530	1938	18			1.05	0.75	1374	1740	18	1.20	0.75			1377	1744	19	1.20	0.86	1208	1530			19	1.35	1.0	1033	1308	19	1.60			1.1	906	1148	19	1.80			GR89R59 GRF89R59	4P	1.5	702	889	19	2.35					1.7	616	780	19	2.65	1.9	543			688	19	3.00	2.2	474	601	19			3.50	4.0	259	328	4.3	0.80	GR39R19 GRF39R19		4P	4.5		228	289	4.7	0.90			4.9			209	265	4.9	1.00					5.8	178	226	5.2	1.20					6.5	159	202	5.3	1.30		7.3	141		179	5.4	1.50	3.9	267	338	4.5			0.80	4.4	234	296	4.7			0.90	5.1	204	259	5.0	1.00	5.7	180			228	5.1	1.15	6.6	157	199	5.3	1.35	7.6	136	172	5.4	1.55																																																																																																																																																																																																																																																			
0.65	1592	2016	27	2.00	0.76	1368			1733	27	2.30	0.43	2420			3065	25	1.30	GR99R59 GRF99R59	4P	0.48	2149	2722	26	1.50			0.57	1825	2311	26	1.75		0.63	1641		2078	26	1.95	0.72	1439	1823	27			2.20	0.83	1250	1583	27	2.55	0.94			1102	1396	27	2.90	1.1	970	1228			27	3.30	0.45	2278	2885	15	0.80			GR89R59 GRF89R59	4P	0.67	1555	1969					18	1.05	0.47	2196	2781	10	0.80	GR89R59 GRF89R59	4P	0.50	2057	2606	15	0.80			0.61	1688	2138	17	0.95	0.68	1530			1938	18	1.05	0.75	1374	1740	18			1.20	0.75	1377	1744	19	1.20	0.86			1208	1530	19	1.35	1.0	1033	1308			19	1.60	1.1	906	1148	19	1.80			GR89R59 GRF89R59	4P	1.5	702	889					19	2.35	1.7	616	780	19	2.65			1.9	543	688	19	3.00	2.2	474			601	19	3.50	4.0	259	328	4.3			0.80	GR39R19 GRF39R19	4P	4.5	228	289				4.7		0.90	4.9	209	265			4.9			1.00	5.8	178	226					5.2	1.20	6.5	159	202		5.3	1.30		7.3	141	179	5.4	1.50		3.9	267		338	4.5	0.80	4.4	234	296	4.7			0.90	5.1	204	259	5.0			1.00	5.7	180	228	5.1	1.15	6.6	157	199	5.3	1.35	7.6	136	172	5.4	1.55																																																																																																																																																																																																																																																										
0.76	1368	1733	27	2.30	0.43	2420			3065	25	1.30	GR99R59 GRF99R59	4P	0.48	2149	2722	26	1.50			0.57	1825	2311	26	1.75			0.63	1641	2078	26	1.95		0.72	1439		1823	27	2.20	0.83	1250	1583	27			2.55	0.94	1102	1396	27	2.90	1.1			970	1228	27	3.30	0.45	2278	2885			15	0.80	GR89R59 GRF89R59	4P	0.67	1555	1969					18	1.05	0.47	2196	2781	10	0.80	GR89R59 GRF89R59	4P	0.50	2057	2606	15	0.80			0.61	1688	2138	17	0.95			0.68	1530	1938	18	1.05	0.75	1374			1740	18	1.20	0.75	1377	1744	19			1.20	0.86	1208	1530	19	1.35	1.0			1033	1308	19	1.60	1.1	906	1148			19	1.80	GR89R59 GRF89R59	4P	1.5	702	889					19	2.35	1.7	616	780			19	2.65	1.9	543	688	19	3.00			2.2	474	601	19	3.50	4.0	259			328	4.3	0.80	GR39R19 GRF39R19	4P	4.5	228			289			4.7	0.90	4.9				209		265	4.9	1.00	5.8			178			226	5.2	1.20	6.5		159	202		5.3	1.30	7.3	141	179		5.4	1.50		3.9	267	338	4.5	0.80		4.4	234		296	4.7	0.90	5.1	204	259	5.0			1.00	5.7	180	228	5.1	1.15	6.6	157	199	5.3	1.35	7.6	136	172	5.4	1.55																																																																																																																																																																																																																																																																	
0.43	2420	3065	25	1.30	GR99R59 GRF99R59	4P	0.48	2149	2722	26	1.50			0.57	1825	2311	26	1.75			0.63	1641	2078	26	1.95			0.72	1439	1823	27	2.20		0.83	1250		1583	27	2.55	0.94	1102	1396	27			2.90	1.1	970	1228	27	3.30	0.45			2278	2885	15	0.80	GR89R59 GRF89R59	4P	0.67			1555	1969			18	1.05	0.47	2196	2781	10	0.80	GR89R59 GRF89R59	4P	0.50	2057	2606	15	0.80			0.61	1688	2138	17	0.95			0.68	1530	1938	18	1.05			0.75	1374	1740	18	1.20	0.75	1377			1744	19	1.20	0.86	1208	1530	19			1.35	1.0	1033	1308	19	1.60	1.1			906	1148	19	1.80	GR89R59 GRF89R59	4P	1.5			702	889			19	2.35	1.7	616	780			19	2.65	1.9	543	688			19	3.00	2.2	474	601	19	3.50			4.0	259	328	4.3	0.80	GR39R19 GRF39R19	4P			4.5	228	289			4.7	0.90			4.9			209	265	4.9				1.00		5.8	178	226	5.2			1.20	6.5	159	202	5.3	1.30	7.3		141	179		5.4	1.50	3.9	267	338		4.5	0.80		4.4	234	296	4.7	0.90		5.1	204		259	5.0	1.00	5.7	180	228	5.1	1.15	6.6	157	199	5.3	1.35	7.6	136	172	5.4	1.55																																																																																																																																																																																																																																																																								
0.48	2149	2722	26	1.50			0.57	1825	2311	26	1.75			0.63	1641	2078	26	1.95			0.72	1439	1823	27	2.20			0.83	1250	1583	27	2.55		0.94	1102		1396	27	2.90	1.1	970	1228	27			3.30	0.45	2278	2885	15	0.80	GR89R59 GRF89R59			4P	0.67	1555	1969			18	1.05	0.47	2196	2781	10	0.80	GR89R59 GRF89R59	4P	0.50	2057	2606	15	0.80			0.61	1688	2138	17	0.95			0.68	1530	1938	18	1.05			0.75	1374	1740	18	1.20			0.75	1377	1744	19	1.20	0.86	1208			1530	19	1.35	1.0	1033	1308	19			1.60	1.1	906	1148	19	1.80	GR89R59 GRF89R59			4P	1.5	702	889			19	2.35	1.7	616	780			19	2.65	1.9	543	688			19	3.00	2.2	474	601			19	3.50	4.0	259	328	4.3	0.80			GR39R19 GRF39R19	4P	4.5	228	289					4.7	0.90	4.9			209	265			4.9			1.00	5.8	178		226		5.2	1.20	6.5	159	202	5.3			1.30	7.3	141	179	5.4	1.50	3.9		267	338		4.5	0.80	4.4	234	296		4.7	0.90		5.1	204	259	5.0	1.00	5.7	180	228	5.1	1.15	6.6	157	199	5.3	1.35	7.6	136	172	5.4	1.55																																																																																																																																																																																																																																																																															
0.57	1825	2311	26	1.75			0.63	1641	2078	26	1.95			0.72	1439	1823	27	2.20			0.83	1250	1583	27	2.55			0.94	1102	1396	27	2.90		1.1	970		1228	27	3.30	0.45	2278	2885	15			0.80	GR89R59 GRF89R59	4P	0.67	1555	1969		18	1.05		0.47	2196	2781	10	0.80	GR89R59 GRF89R59	4P	0.50	2057	2606	15	0.80			0.61	1688	2138	17	0.95			0.68	1530	1938	18	1.05			0.75	1374	1740	18	1.20			0.75	1377	1744	19	1.20			0.86	1208	1530	19	1.35	1.0	1033			1308	19	1.60	1.1	906	1148	19			1.80	GR89R59 GRF89R59	4P	1.5	702	889		19	2.35		1.7	616	780			19	2.65	1.9	543	688			19	3.00	2.2	474	601			19	3.50	4.0	259	328			4.3	0.80	GR39R19 GRF39R19	4P	4.5	228	289					4.7	0.90	4.9					209	265	4.9			1.00	5.8	178	226	5.2			1.20	6.5	159		202		5.3	1.30	7.3	141	179	5.4			1.50	3.9	267	338	4.5	0.80	4.4		234	296		4.7	0.90	5.1	204	259	5.0	1.00	5.7	180	228	5.1	1.15	6.6	157	199	5.3	1.35	7.6	136	172	5.4	1.55																																																																																																																																																																																																																																																																																						
0.63	1641	2078	26	1.95			0.72	1439	1823	27	2.20			0.83	1250	1583	27	2.55			0.94	1102	1396	27	2.90			1.1	970	1228	27	3.30		0.45	2278		2885	15	0.80	GR89R59 GRF89R59	4P	0.67	1555	1969	18	1.05			0.47	2196	2781	10	0.80	GR89R59 GRF89R59	4P	0.50	2057	2606	15	0.80			0.61	1688	2138	17	0.95			0.68	1530	1938	18	1.05			0.75	1374	1740	18	1.20			0.75	1377	1744	19	1.20			0.86	1208	1530	19	1.35			1.0	1033	1308	19	1.60	1.1	906			1148	19	1.80	GR89R59 GRF89R59	4P	1.5	702	889	19	2.35			1.7	616	780		19	2.65		1.9	543	688			19	3.00	2.2	474	601			19	3.50	4.0	259	328			4.3	0.80	GR39R19 GRF39R19	4P	4.5			228	289			4.7	0.90	4.9					209	265	4.9			1.00	5.8	178	226	5.2			1.20	6.5	159	202	5.3			1.30	7.3	141		179		5.4	1.50	3.9	267	338	4.5			0.80	4.4	234	296	4.7	0.90	5.1	204	259	5.0	1.00	5.7	180	228	5.1	1.15	6.6	157	199	5.3	1.35	7.6	136	172	5.4	1.55																																																																																																																																																																																																																																																																																													
0.72	1439	1823	27	2.20			0.83	1250	1583	27	2.55			0.94	1102	1396	27	2.90			1.1	970	1228	27	3.30			0.45	2278	2885	15	0.80	GR89R59 GRF89R59	4P	0.67	1555	1969	18	1.05			0.47	2196	2781	10	0.80	GR89R59 GRF89R59	4P	0.50	2057	2606	15	0.80			0.61	1688	2138	17	0.95			0.68	1530	1938	18	1.05			0.75	1374	1740	18	1.20			0.75	1377	1744	19	1.20			0.86	1208	1530	19	1.35			1.0	1033	1308	19	1.60			1.1	906	1148	19	1.80	GR89R59 GRF89R59	4P	1.5	702	889	19	2.35			1.7	616	780	19	2.65			1.9	543	688		19	3.00		2.2	474	601			19	3.50	4.0	259	328			4.3	0.80	GR39R19 GRF39R19	4P	4.5			228	289			4.7			0.90	4.9			209	265	4.9	1.00	5.8			178	226	5.2			1.20	6.5	159	202	5.3			1.30	7.3	141	179	5.4			1.50	3.9	267		338		4.5	0.80	4.4	234	296	4.7	0.90	5.1	204	259	5.0	1.00	5.7	180	228	5.1	1.15	6.6	157	199	5.3	1.35	7.6	136	172	5.4	1.55																																																																																																																																																																																																																																																																																																				
0.83	1250	1583	27	2.55			0.94	1102	1396	27	2.90			1.1	970	1228	27	3.30			0.45	2278	2885	15	0.80	GR89R59 GRF89R59	4P	0.67	1555	1969	18	1.05			0.47	2196	2781	10	0.80	GR89R59 GRF89R59	4P	0.50	2057	2606	15	0.80			0.61	1688	2138	17	0.95			0.68	1530	1938	18	1.05			0.75	1374	1740	18	1.20			0.75	1377	1744	19	1.20			0.86	1208	1530	19	1.35			1.0	1033	1308	19	1.60			1.1	906	1148	19	1.80	GR89R59 GRF89R59	4P	1.5	702	889	19	2.35			1.7	616	780	19	2.65			1.9	543	688	19	3.00			2.2	474	601		19	3.50		4.0	259	328			4.3	0.80	GR39R19 GRF39R19	4P	4.5			228	289			4.7			0.90	4.9			209	265	4.9	1.00	5.8			178	226	5.2	1.20	6.5			159	202	5.3			1.30	7.3	141	179	5.4			1.50	3.9	267	338	4.5			0.80	4.4	234	296	4.7	0.90	5.1	204	259	5.0	1.00	5.7	180	228	5.1	1.15	6.6	157	199	5.3	1.35	7.6	136	172	5.4	1.55																																																																																																																																																																																																																																																																																																											
0.94	1102	1396	27	2.90			1.1	970	1228	27	3.30			0.45	2278	2885	15	0.80	GR89R59 GRF89R59	4P	0.67	1555	1969	18	1.05			0.47	2196	2781	10	0.80	GR89R59 GRF89R59	4P	0.50	2057	2606	15	0.80			0.61	1688	2138	17	0.95			0.68	1530	1938	18	1.05			0.75	1374	1740	18	1.20			0.75	1377	1744	19	1.20			0.86	1208	1530	19	1.35			1.0	1033	1308	19	1.60			1.1	906	1148	19	1.80	GR89R59 GRF89R59	4P	1.5	702	889	19	2.35			1.7	616	780	19	2.65			1.9	543	688	19	3.00			2.2	474	601	19	3.50			4.0	259	328		4.3	0.80		GR39R19 GRF39R19	4P	4.5			228	289			4.7			0.90	4.9			209	265	4.9	1.00	5.8			178	226	5.2	1.20	6.5			159	202	5.3	1.30	7.3			141	179	5.4			1.50	3.9	267	338	4.5			0.80	4.4	234	296	4.7	0.90	5.1	204	259	5.0	1.00	5.7	180	228	5.1	1.15	6.6	157	199	5.3	1.35	7.6	136	172	5.4	1.55																																																																																																																																																																																																																																																																																																																		
1.1	970	1228	27	3.30			0.45	2278	2885	15	0.80	GR89R59 GRF89R59	4P	0.67	1555	1969	18	1.05			0.47	2196	2781	10	0.80	GR89R59 GRF89R59	4P	0.50	2057	2606	15	0.80			0.61	1688	2138	17	0.95			0.68	1530	1938	18	1.05			0.75	1374	1740	18	1.20			0.75	1377	1744	19	1.20			0.86	1208	1530	19	1.35			1.0	1033	1308	19	1.60			1.1	906	1148	19	1.80	GR89R59 GRF89R59	4P	1.5	702	889	19	2.35			1.7	616	780	19	2.65			1.9	543	688	19	3.00			2.2	474	601	19	3.50			4.0	259	328	4.3	0.80			GR39R19 GRF39R19	4P	4.5		228	289				4.7			0.90	4.9			209	265	4.9	1.00	5.8			178	226	5.2	1.20	6.5			159	202	5.3	1.30	7.3			141	179	5.4	1.50	3.9			267	338	4.5			0.80	4.4	234	296	4.7	0.90	5.1	204	259	5.0	1.00	5.7	180	228	5.1	1.15	6.6	157	199	5.3	1.35	7.6	136	172	5.4	1.55																																																																																																																																																																																																																																																																																																																									
0.45	2278	2885	15	0.80	GR89R59 GRF89R59	4P	0.67	1555	1969	18	1.05			0.47	2196	2781	10	0.80	GR89R59 GRF89R59	4P	0.50	2057	2606	15	0.80			0.61	1688	2138	17	0.95			0.68	1530	1938	18	1.05			0.75	1374	1740	18	1.20			0.75	1377	1744	19	1.20			0.86	1208	1530	19	1.35			1.0	1033	1308	19	1.60			1.1	906	1148	19	1.80	GR89R59 GRF89R59	4P	1.5	702	889	19	2.35			1.7	616	780	19	2.65			1.9	543	688	19	3.00			2.2	474	601	19	3.50			4.0	259	328	4.3	0.80			GR39R19 GRF39R19	4P	4.5	228	289					4.7		0.90	4.9				209	265	4.9	1.00	5.8			178	226	5.2	1.20	6.5			159	202	5.3	1.30	7.3			141	179	5.4	1.50	3.9			267	338	4.5	0.80	4.4			234	296	4.7	0.90	5.1	204	259	5.0	1.00	5.7	180	228	5.1	1.15	6.6	157	199	5.3	1.35	7.6	136	172	5.4	1.55																																																																																																																																																																																																																																																																																																																																
0.67	1555	1969	18	1.05			0.47	2196	2781	10	0.80	GR89R59 GRF89R59	4P	0.50	2057	2606	15	0.80			0.61	1688	2138	17	0.95			0.68	1530	1938	18	1.05			0.75	1374	1740	18	1.20			0.75	1377	1744	19	1.20			0.86	1208	1530	19	1.35			1.0	1033	1308	19	1.60			1.1	906	1148	19	1.80	GR89R59 GRF89R59	4P	1.5	702	889	19	2.35			1.7	616	780	19	2.65			1.9	543	688	19	3.00			2.2	474	601	19	3.50			4.0	259	328	4.3	0.80			GR39R19 GRF39R19	4P	4.5	228	289					4.7	0.90	4.9					209	265	4.9	1.00	5.8			178	226	5.2	1.20	6.5			159	202	5.3	1.30	7.3			141	179	5.4	1.50	3.9			267	338	4.5	0.80	4.4			234	296	4.7	0.90	5.1	204	259	5.0	1.00	5.7	180	228	5.1	1.15	6.6	157	199	5.3	1.35	7.6	136	172	5.4	1.55																																																																																																																																																																																																																																																																																																																																							
0.47	2196	2781	10	0.80	GR89R59 GRF89R59	4P	0.50	2057	2606	15	0.80			0.61	1688	2138	17	0.95			0.68	1530	1938	18	1.05			0.75	1374	1740	18	1.20			0.75	1377	1744	19	1.20			0.86	1208	1530	19	1.35			1.0	1033	1308	19	1.60			1.1	906	1148	19	1.80	GR89R59 GRF89R59	4P	1.5	702	889	19	2.35			1.7	616	780	19	2.65			1.9	543	688	19	3.00			2.2	474	601	19	3.50			4.0	259	328	4.3	0.80			GR39R19 GRF39R19	4P	4.5	228	289					4.7	0.90	4.9					209	265	4.9	1.00	5.8			178	226	5.2	1.20	6.5			159	202	5.3	1.30	7.3			141	179	5.4	1.50	3.9			267	338	4.5	0.80	4.4			234	296	4.7	0.90	5.1	204	259	5.0	1.00	5.7	180	228	5.1	1.15	6.6	157	199	5.3	1.35	7.6	136	172	5.4	1.55																																																																																																																																																																																																																																																																																																																																														
0.50	2057	2606	15	0.80			0.61	1688	2138	17	0.95			0.68	1530	1938	18	1.05			0.75	1374	1740	18	1.20			0.75	1377	1744	19	1.20			0.86	1208	1530	19	1.35			1.0	1033	1308	19	1.60			1.1	906	1148	19	1.80	GR89R59 GRF89R59	4P	1.5	702	889	19	2.35			1.7	616	780	19	2.65			1.9	543	688	19	3.00			2.2	474	601	19	3.50			4.0	259	328	4.3	0.80			GR39R19 GRF39R19	4P	4.5	228	289					4.7	0.90	4.9					209	265	4.9	1.00	5.8			178	226	5.2	1.20	6.5			159	202	5.3	1.30	7.3			141	179	5.4	1.50	3.9			267	338	4.5	0.80	4.4			234	296	4.7	0.90	5.1	204	259	5.0	1.00	5.7	180	228	5.1	1.15	6.6	157	199	5.3	1.35	7.6	136	172	5.4	1.55																																																																																																																																																																																																																																																																																																																																																					
0.61	1688	2138	17	0.95			0.68	1530	1938	18	1.05			0.75	1374	1740	18	1.20			0.75	1377	1744	19	1.20			0.86	1208	1530	19	1.35			1.0	1033	1308	19	1.60			1.1	906	1148	19	1.80	GR89R59 GRF89R59	4P	1.5	702	889	19	2.35			1.7	616	780	19	2.65			1.9	543	688	19	3.00			2.2	474	601	19	3.50			4.0	259	328	4.3	0.80			GR39R19 GRF39R19	4P	4.5	228	289					4.7	0.90	4.9					209	265	4.9	1.00	5.8			178	226	5.2	1.20	6.5			159	202	5.3	1.30	7.3			141	179	5.4	1.50	3.9			267	338	4.5	0.80	4.4			234	296	4.7	0.90	5.1	204	259	5.0	1.00	5.7	180	228	5.1	1.15	6.6	157	199	5.3	1.35	7.6	136	172	5.4	1.55																																																																																																																																																																																																																																																																																																																																																												
0.68	1530	1938	18	1.05			0.75	1374	1740	18	1.20			0.75	1377	1744	19	1.20			0.86	1208	1530	19	1.35			1.0	1033	1308	19	1.60			1.1	906	1148	19	1.80	GR89R59 GRF89R59	4P	1.5	702	889	19	2.35			1.7	616	780	19	2.65			1.9	543	688	19	3.00			2.2	474	601	19	3.50			4.0	259	328	4.3	0.80			GR39R19 GRF39R19	4P	4.5	228	289					4.7	0.90	4.9					209	265	4.9	1.00	5.8			178	226	5.2	1.20	6.5			159	202	5.3	1.30	7.3			141	179	5.4	1.50	3.9			267	338	4.5	0.80	4.4			234	296	4.7	0.90	5.1	204	259	5.0	1.00	5.7	180	228	5.1	1.15	6.6	157	199	5.3	1.35	7.6	136	172	5.4	1.55																																																																																																																																																																																																																																																																																																																																																																			
0.75	1374	1740	18	1.20			0.75	1377	1744	19	1.20			0.86	1208	1530	19	1.35			1.0	1033	1308	19	1.60			1.1	906	1148	19	1.80	GR89R59 GRF89R59	4P	1.5	702	889	19	2.35			1.7	616	780	19	2.65			1.9	543	688	19	3.00			2.2	474	601	19	3.50			4.0	259	328	4.3	0.80			GR39R19 GRF39R19	4P	4.5	228	289					4.7	0.90	4.9					209	265	4.9	1.00	5.8			178	226	5.2	1.20	6.5			159	202	5.3	1.30	7.3			141	179	5.4	1.50	3.9			267	338	4.5	0.80	4.4			234	296	4.7	0.90	5.1	204	259	5.0	1.00	5.7	180	228	5.1	1.15	6.6	157	199	5.3	1.35	7.6	136	172	5.4	1.55																																																																																																																																																																																																																																																																																																																																																																										
0.75	1377	1744	19	1.20			0.86	1208	1530	19	1.35			1.0	1033	1308	19	1.60			1.1	906	1148	19	1.80	GR89R59 GRF89R59	4P	1.5	702	889	19	2.35			1.7	616	780	19	2.65			1.9	543	688	19	3.00			2.2	474	601	19	3.50			4.0	259	328	4.3	0.80			GR39R19 GRF39R19	4P	4.5	228	289					4.7	0.90	4.9					209	265	4.9	1.00	5.8			178	226	5.2	1.20	6.5			159	202	5.3	1.30	7.3			141	179	5.4	1.50	3.9			267	338	4.5	0.80	4.4			234	296	4.7	0.90	5.1	204	259	5.0	1.00	5.7	180	228	5.1	1.15	6.6	157	199	5.3	1.35	7.6	136	172	5.4	1.55																																																																																																																																																																																																																																																																																																																																																																																	
0.86	1208	1530	19	1.35			1.0	1033	1308	19	1.60			1.1	906	1148	19	1.80	GR89R59 GRF89R59	4P	1.5	702	889	19	2.35			1.7	616	780	19	2.65			1.9	543	688	19	3.00			2.2	474	601	19	3.50			4.0	259	328	4.3	0.80			GR39R19 GRF39R19	4P	4.5	228	289					4.7	0.90	4.9					209	265	4.9	1.00	5.8			178	226	5.2	1.20	6.5			159	202	5.3	1.30	7.3			141	179	5.4	1.50	3.9			267	338	4.5	0.80	4.4			234	296	4.7	0.90	5.1	204	259	5.0	1.00	5.7	180	228	5.1	1.15	6.6	157	199	5.3	1.35	7.6	136	172	5.4	1.55																																																																																																																																																																																																																																																																																																																																																																																								
1.0	1033	1308	19	1.60			1.1	906	1148	19	1.80	GR89R59 GRF89R59	4P	1.5	702	889	19	2.35			1.7	616	780	19	2.65			1.9	543	688	19	3.00			2.2	474	601	19	3.50			4.0	259	328	4.3	0.80			GR39R19 GRF39R19	4P	4.5	228	289					4.7	0.90	4.9					209	265	4.9	1.00	5.8			178	226	5.2	1.20	6.5			159	202	5.3	1.30	7.3			141	179	5.4	1.50	3.9			267	338	4.5	0.80	4.4			234	296	4.7	0.90	5.1	204	259	5.0	1.00	5.7	180	228	5.1	1.15	6.6	157	199	5.3	1.35	7.6	136	172	5.4	1.55																																																																																																																																																																																																																																																																																																																																																																																															
1.1	906	1148	19	1.80	GR89R59 GRF89R59	4P	1.5	702	889	19	2.35			1.7	616	780	19	2.65			1.9	543	688	19	3.00			2.2	474	601	19	3.50			4.0	259	328	4.3	0.80			GR39R19 GRF39R19	4P	4.5	228	289					4.7	0.90	4.9					209	265	4.9	1.00	5.8			178	226	5.2	1.20	6.5			159	202	5.3	1.30	7.3			141	179	5.4	1.50	3.9			267	338	4.5	0.80	4.4			234	296	4.7	0.90	5.1	204	259	5.0	1.00	5.7	180	228	5.1	1.15	6.6	157	199	5.3	1.35	7.6	136	172	5.4	1.55																																																																																																																																																																																																																																																																																																																																																																																																						
1.5	702	889	19	2.35			1.7	616	780	19	2.65			1.9	543	688	19	3.00			2.2	474	601	19	3.50			4.0	259	328	4.3	0.80			GR39R19 GRF39R19	4P	4.5	228	289					4.7	0.90	4.9					209	265	4.9	1.00	5.8			178	226	5.2	1.20	6.5			159	202	5.3	1.30	7.3			141	179	5.4	1.50	3.9			267	338	4.5	0.80	4.4			234	296	4.7	0.90	5.1	204	259	5.0	1.00	5.7	180	228	5.1	1.15	6.6	157	199	5.3	1.35	7.6	136	172	5.4	1.55																																																																																																																																																																																																																																																																																																																																																																																																													
1.7	616	780	19	2.65			1.9	543	688	19	3.00			2.2	474	601	19	3.50			4.0	259	328	4.3	0.80			GR39R19 GRF39R19	4P	4.5	228	289					4.7	0.90	4.9					209	265	4.9	1.00	5.8			178	226	5.2	1.20	6.5			159	202	5.3	1.30	7.3			141	179	5.4	1.50	3.9			267	338	4.5	0.80	4.4			234	296	4.7	0.90	5.1	204	259	5.0	1.00	5.7	180	228	5.1	1.15	6.6	157	199	5.3	1.35	7.6	136	172	5.4	1.55																																																																																																																																																																																																																																																																																																																																																																																																																				
1.9	543	688	19	3.00			2.2	474	601	19	3.50			4.0	259	328	4.3	0.80			GR39R19 GRF39R19	4P	4.5	228	289					4.7	0.90	4.9					209	265	4.9	1.00	5.8			178	226	5.2	1.20	6.5			159	202	5.3	1.30	7.3			141	179	5.4	1.50	3.9			267	338	4.5	0.80	4.4			234	296	4.7	0.90	5.1	204	259	5.0	1.00	5.7	180	228	5.1	1.15	6.6	157	199	5.3	1.35	7.6	136	172	5.4	1.55																																																																																																																																																																																																																																																																																																																																																																																																																											
2.2	474	601	19	3.50			4.0	259	328	4.3	0.80			GR39R19 GRF39R19	4P	4.5	228	289					4.7	0.90	4.9					209	265	4.9	1.00	5.8			178	226	5.2	1.20	6.5			159	202	5.3	1.30	7.3			141	179	5.4	1.50	3.9			267	338	4.5	0.80	4.4			234	296	4.7	0.90	5.1	204	259	5.0	1.00	5.7	180	228	5.1	1.15	6.6	157	199	5.3	1.35	7.6	136	172	5.4	1.55																																																																																																																																																																																																																																																																																																																																																																																																																																		
4.0	259	328	4.3	0.80			GR39R19 GRF39R19	4P	4.5	228	289					4.7	0.90	4.9					209	265	4.9	1.00	5.8			178	226	5.2	1.20	6.5			159	202	5.3	1.30	7.3			141	179	5.4	1.50	3.9			267	338	4.5	0.80	4.4			234	296	4.7	0.90	5.1	204	259	5.0	1.00	5.7	180	228	5.1	1.15	6.6	157	199	5.3	1.35	7.6	136	172	5.4	1.55																																																																																																																																																																																																																																																																																																																																																																																																																																									
4.5	228	289	4.7	0.90					4.9	209	265					4.9	1.00	5.8	178	226			5.2	1.20	6.5	159	202			5.3	1.30	7.3	141	179			5.4	1.50	3.9	267	338			4.5	0.80	4.4	234	296			4.7	0.90	5.1	204	259	5.0	1.00	5.7	180	228	5.1	1.15	6.6	157	199	5.3	1.35	7.6	136	172	5.4	1.55																																																																																																																																																																																																																																																																																																																																																																																																																																																		
4.9	209	265	4.9	1.00					5.8	178	226	5.2	1.20			6.5	159	202	5.3	1.30			7.3	141	179	5.4	1.50			3.9	267	338	4.5	0.80			4.4	234	296	4.7	0.90			5.1	204	259	5.0	1.00	5.7	180	228	5.1	1.15	6.6	157	199	5.3	1.35	7.6	136	172	5.4	1.55																																																																																																																																																																																																																																																																																																																																																																																																																																																											
5.8	178	226	5.2	1.20	6.5	159			202	5.3	1.30	7.3	141			179	5.4	1.50	3.9	267			338	4.5	0.80	4.4	234			296	4.7	0.90	5.1	204			259	5.0	1.00	5.7	180	228	5.1	1.15	6.6	157	199	5.3	1.35	7.6	136	172	5.4	1.55																																																																																																																																																																																																																																																																																																																																																																																																																																																																				
6.5	159	202	5.3	1.30	7.3	141			179	5.4	1.50	3.9	267			338	4.5	0.80	4.4	234			296	4.7	0.90	5.1	204			259	5.0	1.00	5.7	180	228	5.1	1.15	6.6	157	199	5.3	1.35	7.6	136	172	5.4	1.55																																																																																																																																																																																																																																																																																																																																																																																																																																																																											
7.3	141	179	5.4	1.50	3.9	267			338	4.5	0.80	4.4	234			296	4.7	0.90	5.1	204			259	5.0	1.00	5.7	180	228	5.1	1.15	6.6	157	199	5.3	1.35	7.6	136	172	5.4	1.55																																																																																																																																																																																																																																																																																																																																																																																																																																																																																		
3.9	267	338	4.5	0.80	4.4	234			296	4.7	0.90	5.1	204			259	5.0	1.00	5.7	180	228	5.1	1.15	6.6	157	199	5.3	1.35	7.6	136	172	5.4	1.55																																																																																																																																																																																																																																																																																																																																																																																																																																																																																									
4.4	234	296	4.7	0.90	5.1	204			259	5.0	1.00	5.7	180	228	5.1	1.15	6.6	157	199	5.3	1.35	7.6	136	172	5.4	1.55																																																																																																																																																																																																																																																																																																																																																																																																																																																																																																
5.1	204	259	5.0	1.00	5.7	180	228	5.1	1.15	6.6	157	199	5.3	1.35	7.6	136	172	5.4	1.55																																																																																																																																																																																																																																																																																																																																																																																																																																																																																																							
5.7	180	228	5.1	1.15	6.6	157	199	5.3	1.35	7.6	136	172	5.4	1.55																																																																																																																																																																																																																																																																																																																																																																																																																																																																																																												
6.6	157	199	5.3	1.35	7.6	136	172	5.4	1.55																																																																																																																																																																																																																																																																																																																																																																																																																																																																																																																	
7.6	136	172	5.4	1.55																																																																																																																																																																																																																																																																																																																																																																																																																																																																																																																						

**选型参数表
(恒功率)**
**Selection Table
(Constant Power)**

n_a [r/min]	M_a [N.m]	i	F_{Ra} [kN]	f_B	机型号 Type size	极数 Pole	n_a [r/min]	M_a [N.m]	i	F_{Ra} [kN]	f_B	机型号 Type size	极数 Pole																																																																																																																																																																																																																																																																																																																																																																																																																																																																																														
0.12kW							0.12kW																																																																																																																																																																																																																																																																																																																																																																																																																																																																																																				
5.7	181	229	3.9	0.80	GR29R19 GRF29R19	4P	15	68	84.78	4.2	1.85	GR29 GRF29	4P																																																																																																																																																																																																																																																																																																																																																																																																																																																																																														
6.6	158	200	4.0	0.85			7.4	140	177	4.1	1.00			7.9	131	166	4.1	1.05	5.8	179	227	3.9	0.80	6.5	160	203	4.0	0.85	GR29R19 GRF29R19	4P	7.3	141	179	4.1	1.00	8.4	123	156	4.1	1.10	10	101	81.64	0.3	0.80	4.4	250	195.24	12	3.30	GR79 GRF79	6P*	5.1	213	166.59	12	3.90	5.8	187	145.67	12	4.40	12	87	70.39	1.4	0.95	13	81	65.61	1.8	1.00	GR19 GRF19	6P*	15	71	57.35	2.3	1.15	16	67	53.76	2.4	1.25	4.3	256	199.81	10	2.40	4.6	236	184.07	10	2.60	GR69 GRF69	6P*	5.4	203	158.14	10	3.00	6.2	176	137.67	10	3.40	6.6	165	128.97	10	3.70	7.5	90	113.94	10	4.10	6.6	166	199.81	10	3.60	GR69 GRF69	4P	7.1	153	184.07	10	3.90	4.5	239	186.89	7.4	1.90	4.9	221	172.17	7.4	2.00	GR59 GRF59	6P*	5.7	189	147.92	7.5	2.40	6.6	165	128.77	7.5	2.70	7.0	155	120.63	7.5	2.90	8.0	137	106.58	7.6	3.30	8.6	127	98.99	7.6	3.60	7.0	155	186.89	7.5	2.90	7.6	143	172.17	7.5	3.20	GR59 GRF59	4P	8.9	123	147.92	7.6	3.70	10.2	107	128.77	7.6	4.20	4.8	227	176.88	5.5	1.35	5.2	209	162.94	5.5	1.45	GR49 GRF49	6P*	6.1	179	139.99	5.6	1.70	7.0	156	121.87	5.7	1.95	7.4	147	176.88	5.7	2.00	8.0	135	162.94	5.7	2.20	GR49 GRF49	4P	9.4	116	139.99	5.8	2.60	11	101	121.87	5.8	3.00	11	95	114.17	5.8	3.20	13	84	100.86	5.8	3.60	14	78	93.68	5.8	3.90	6.3	167	134.82	5.0	1.15	6.9	153	123.66	5.1	1.25	GR39 GRF39	6P*	8.1	131	105.28	5.3	1.50	9.4	113	90.77	5.4	1.75	10	105	84.61	5.5	1.85	11	92	73.96	5.6	2.10	9.7	109	134.82	5.5	1.80	11	100	123.66	5.5	1.95	GR39 GRF39	4P	12	85	105.28	5.6	2.30	14	73	90.77	5.6	2.70	15	68	84.61	5.7	2.80	18	60	73.96	5.7	3.30	6.9	154	123.91	3.9	0.80	8.1	131	105.49	4.0	0.95	GR29 GRF29	6P*	9.3	113	90.96	4.1	1.10	10	105	84.78	4.1	1.20	11	92	74.11	4.2	1.40	9.7	109	135.09	4.1	1.15	11	100	123.91	4.1	1.25	GR29 GRF29	4P	12	85	105.49	4.2	1.50	14	73	90.96	4.2	1.70	15	68	84.61	5.7	2.80	18	60	73.96	5.7	3.30	216	5.2	6.07	4.1	8.60	253	4.4	5.18	3.8	17	GRX69 GRXF69	4P	289	3.9	4.53	3.7	22	305	3.7	4.30	3.6	22	238	4.7	5.50	3.2	8.50	258	4.3	5.07	3.1	8.60	GRX59 GRXF59	4P	301	3.7	4.35	3.0	19	346	3.2	3.79	2.8	22	369	3.0	3.55	2.8	24	417	2.7	3.14	2.7	25	450	2.5	2.91	2.6	28	496	2.3	2.64	2.5	31	553	2.0	2.37	2.4	35	642	1.7	2.04	2.3	41	682	1.6	1.92	2.3	43	794	1.4	1.65	2.1	49																																						
7.4	140	177	4.1	1.00			7.9	131	166	4.1	1.05			5.8	179	227	3.9	0.80	6.5	160	203	4.0	0.85	GR29R19 GRF29R19	4P	7.3	141	179			4.1	1.00	8.4	123	156	4.1	1.10	10	101	81.64	0.3	0.80	4.4	250	195.24	12	3.30	GR79 GRF79	6P*	5.1			213	166.59	12	3.90	5.8	187	145.67	12	4.40	12	87	70.39	1.4	0.95	13	81	65.61	1.8	1.00	GR19 GRF19			6P*	15	71	57.35	2.3	1.15	16	67	53.76	2.4	1.25	4.3	256	199.81	10	2.40	4.6	236	184.07	10			2.60	GR69 GRF69	6P*	5.4	203	158.14	10	3.00	6.2	176	137.67	10	3.40	6.6	165	128.97	10	3.70	7.5	90	113.94	10	4.10	6.6	166			199.81	10	3.60	GR69 GRF69	4P	7.1	153	184.07	10	3.90	4.5	239	186.89	7.4	1.90			4.9	221	172.17	7.4	2.00	GR59 GRF59	6P*	5.7	189	147.92	7.5	2.40	6.6	165	128.77	7.5	2.70	7.0	155	120.63	7.5	2.90	8.0	137	106.58	7.6	3.30	8.6	127	98.99	7.6	3.60	7.0	155	186.89			7.5	2.90	7.6	143	172.17	7.5	3.20	GR59 GRF59	4P	8.9	123	147.92	7.6	3.70	10.2	107	128.77	7.6	4.20	4.8			227	176.88	5.5	1.35	5.2	209	162.94	5.5	1.45	GR49 GRF49	6P*	6.1	179	139.99	5.6	1.70	7.0	156	121.87	5.7			1.95	7.4	147	176.88	5.7	2.00	8.0	135	162.94	5.7	2.20	GR49 GRF49	4P	9.4	116	139.99	5.8	2.60	11	101	121.87	5.8	3.00	11	95	114.17	5.8	3.20	13	84	100.86	5.8	3.60	14	78			93.68	5.8	3.90	6.3	167	134.82	5.0	1.15	6.9	153	123.66	5.1	1.25	GR39 GRF39	6P*	8.1	131	105.28	5.3	1.50	9.4	113	90.77	5.4	1.75	10	105	84.61	5.5	1.85			11	92	73.96	5.6	2.10	9.7	109	134.82	5.5	1.80	11	100	123.66	5.5	1.95	GR39 GRF39	4P	12	85	105.28	5.6	2.30	14	73	90.77	5.6	2.70	15	68	84.61			5.7	2.80	18	60	73.96	5.7	3.30	6.9	154	123.91	3.9	0.80	8.1	131	105.49	4.0	0.95	GR29 GRF29	6P*	9.3	113	90.96	4.1	1.10	10			105	84.78	4.1	1.20	11	92	74.11	4.2	1.40	9.7	109	135.09	4.1	1.15	11	100	123.91	4.1	1.25	GR29 GRF29	4P	12	85	105.49	4.2	1.50	14	73	90.96	4.2			1.70	15	68	84.61	5.7	2.80	18	60	73.96	5.7	3.30	216	5.2	6.07	4.1	8.60	253	4.4	5.18	3.8			17	GRX69 GRXF69	4P	289	3.9	4.53	3.7	22	305	3.7	4.30	3.6	22	238	4.7	5.50	3.2	8.50	258	4.3	5.07	3.1	8.60	GRX59 GRXF59	4P	301	3.7	4.35	3.0	19	346	3.2	3.79	2.8	22	369	3.0	3.55	2.8	24	417	2.7	3.14	2.7	25	450	2.5	2.91	2.6	28	496	2.3	2.64	2.5	31	553	2.0	2.37	2.4	35	642	1.7	2.04	2.3	41	682	1.6	1.92	2.3	43	794	1.4	1.65	2.1	49													
7.9	131	166	4.1	1.05			5.8	179	227	3.9	0.80			6.5	160	203	4.0	0.85	GR29R19 GRF29R19	4P	7.3	141	179			4.1	1.00	8.4			123	156	4.1	1.10	10	101	81.64	0.3	0.80	4.4	250	195.24	12	3.30	GR79 GRF79	6P*	5.1			213			166.59	12	3.90	5.8	187	145.67	12	4.40	12	87	70.39	1.4	0.95	13	81	65.61	1.8	1.00	GR19 GRF19					6P*	15	71	57.35	2.3	1.15	16	67	53.76	2.4	1.25	4.3	256	199.81	10	2.40	4.6	236	184.07			10			2.60	GR69 GRF69	6P*	5.4	203	158.14	10	3.00	6.2	176	137.67	10	3.40	6.6	165	128.97	10	3.70	7.5	90	113.94	10	4.10	6.6	166	199.81	10			3.60	GR69 GRF69	4P	7.1	153	184.07	10	3.90	4.5	239			186.89	7.4	1.90	4.9	221			172.17	7.4	2.00	GR59 GRF59	6P*	5.7	189	147.92	7.5	2.40	6.6	165	128.77	7.5	2.70	7.0	155	120.63	7.5	2.90	8.0	137	106.58	7.6	3.30	8.6	127	98.99			7.6	3.60	7.0	155	186.89	7.5	2.90			7.6	143	172.17	7.5	3.20	GR59 GRF59	4P	8.9	123	147.92	7.6			3.70	10.2	107	128.77	7.6	4.20	4.8	227	176.88			5.5	1.35	5.2	209	162.94	5.5	1.45	GR49 GRF49	6P*			6.1	179	139.99	5.6	1.70	7.0	156	121.87	5.7	1.95	7.4			147	176.88	5.7	2.00	8.0	135	162.94	5.7	2.20	GR49 GRF49	4P	9.4	116	139.99	5.8	2.60	11	101	121.87	5.8	3.00	11			95	114.17	5.8	3.20	13	84	100.86	5.8	3.60	14	78	93.68	5.8			3.90	6.3	167	134.82	5.0	1.15	6.9	153	123.66	5.1	1.25	GR39 GRF39	6P*	8.1	131			105.28	5.3	1.50	9.4	113	90.77	5.4	1.75	10	105	84.61	5.5	1.85	11	92			73.96	5.6	2.10	9.7	109	134.82	5.5	1.80	11	100	123.66	5.5	1.95			GR39 GRF39	4P	12	85	105.28	5.6	2.30	14	73	90.77	5.6	2.70	15	68	84.61	5.7	2.80			18	60	73.96	5.7	3.30	6.9			154	123.91	3.9	0.80	8.1	131	105.49	4.0	0.95	GR29 GRF29	6P*	9.3	113	90.96	4.1	1.10	10	105	84.78			4.1	1.20	11	92	74.11	4.2	1.40	9.7	109			135.09	4.1	1.15	11	100	123.91	4.1	1.25	GR29 GRF29	4P	12	85	105.49	4.2	1.50	14	73	90.96	4.2	1.70			15			68	84.61	5.7	2.80	18	60	73.96	5.7	3.30	216	5.2	6.07	4.1	8.60	253	4.4	5.18	3.8	17	GRX69 GRXF69			4P	289	3.9	4.53	3.7	22	305	3.7	4.30	3.6	22	238	4.7	5.50	3.2	8.50	258	4.3	5.07	3.1	8.60	GRX59 GRXF59	4P	301	3.7	4.35	3.0	19	346	3.2	3.79	2.8	22	369	3.0	3.55	2.8	24	417	2.7	3.14	2.7	25	450	2.5	2.91	2.6	28	496	2.3	2.64	2.5	31	553	2.0	2.37	2.4	35	642	1.7	2.04	2.3	41
5.8	179	227	3.9	0.80	6.5	160	203	4.0	0.85	GR29R19 GRF29R19	4P			7.3	141	179	4.1	1.00			8.4	123	156			4.1	1.10	10			101	81.64	0.3	0.80	4.4	250	195.24	12	3.30	GR79 GRF79	6P*	5.1	213	166.59			12			3.90	5.8	187	145.67	12	4.40	12	87	70.39	1.4	0.95	13	81	65.61	1.8	1.00	GR19 GRF19	6P*	15	71	57.35			2.3	1.15			16	67	53.76	2.4	1.25	4.3	256	199.81	10	2.40	4.6	236	184.07	10	2.60	GR69 GRF69	6P*	5.4			203			158.14			10	3.00	6.2	176	137.67	10	3.40	6.6	165	128.97	10	3.70	7.5	90	113.94	10	4.10	6.6	166	199.81	10	3.60	GR69 GRF69	4P	7.1	153	184.07			10	3.90	4.5	239	186.89	7.4	1.90			4.9	221	172.17	7.4	2.00			GR59 GRF59	6P*	5.7			189	147.92	7.5	2.40	6.6	165	128.77	7.5	2.70	7.0	155	120.63	7.5	2.90	8.0	137	106.58	7.6	3.30	8.6	127	98.99	7.6	3.60	7.0	155	186.89	7.5	2.90	7.6	143	172.17			7.5	3.20	GR59 GRF59	4P	8.9			123	147.92	7.6	3.70	10.2	107	128.77	7.6	4.20	4.8	227	176.88	5.5	1.35	5.2			209	162.94	5.5	1.45	GR49 GRF49	6P*	6.1					179	139.99	5.6	1.70	7.0	156	121.87	5.7	1.95	7.4	147			176.88	5.7	2.00	8.0	135	162.94	5.7	2.20	GR49 GRF49			4P	9.4	116	139.99	5.8	2.60	11	101	121.87	5.8	3.00			11	95	114.17	5.8	3.20	13	84	100.86	5.8	3.60	14	78	93.68			5.8	3.90	6.3	167	134.82	5.0	1.15	6.9	153	123.66	5.1			1.25	GR39 GRF39			6P*	8.1	131	105.28	5.3	1.50	9.4	113	90.77	5.4	1.75	10	105	84.61	5.5			1.85	11	92	73.96	5.6	2.10	9.7	109	134.82	5.5	1.80	11	100					123.66	5.5	1.95	GR39 GRF39	4P	12	85	105.28	5.6	2.30	14	73	90.77	5.6	2.70			15	68	84.61	5.7	2.80	18			60	73.96	5.7	3.30	6.9	154	123.91	3.9	0.80			8.1	131	105.49	4.0	0.95	GR29 GRF29	6P*	9.3			113	90.96	4.1	1.10	10	105	84.78	4.1	1.20	11	92	74.11	4.2	1.40	9.7	109	135.09	4.1	1.15			11	100	123.91	4.1	1.25	GR29 GRF29	4P	12	85	105.49			4.2			1.50	14	73	90.96	4.2	1.70	15	68	84.61	5.7	2.80	18	60	73.96	5.7	3.30	216	5.2	6.07					4.1	8.60	253	4.4	5.18	3.8	17	GRX69 GRXF69	4P	289	3.9	4.53	3.7	22	305	3.7	4.30	3.6	22	238			4.7	5.50	3.2	8.50	258	4.3	5.07	3.1	8.60	GRX59 GRXF59	4P	301	3.7	4.35	3.0	19	346	3.2	3.79	2.8	22	369	3.0	3.55	2.8	24	417	2.7	3.14	2.7	25	450	2.5	2.91	2.6	28	496	2.3	2.64	2.5
6.5	160	203	4.0	0.85	GR29R19 GRF29R19	4P	7.3	141	179					4.1	1.00	8.4	123	156			4.1	1.10	10			101	81.64	0.3	0.80	4.4	250	195.24	12	3.30	GR79 GRF79	6P*	5.1	213	166.59			12	3.90	5.8			187	145.67	12	4.40	12	87	70.39	1.4	0.95	13	81	65.61	1.8	1.00	GR19 GRF19	6P*	15	71	57.35			2.3	1.15	16		67	53.76	2.4	1.25		4.3	256	199.81	10	2.40	4.6	236	184.07	10	2.60	GR69 GRF69	6P*	5.4	203	158.14			10	3.00	6.2	176			137.67			10	3.40	6.6	165	128.97	10	3.70	7.5	90	113.94	10	4.10	6.6	166	199.81	10	3.60	GR69 GRF69	4P	7.1	153	184.07			10	3.90	4.5	239	186.89	7.4	1.90	4.9	221	172.17	7.4	2.00			GR59 GRF59	6P*	5.7	189	147.92					7.5			2.40	6.6	165	128.77	7.5	2.70	7.0	155	120.63	7.5	2.90	8.0	137	106.58	7.6	3.30	8.6	127	98.99	7.6	3.60	7.0	155	186.89	7.5	2.90	7.6	143	172.17	7.5	3.20	GR59 GRF59	4P	8.9	123	147.92			7.6			3.70	10.2	107	128.77	7.6	4.20	4.8	227	176.88	5.5	1.35	5.2	209	162.94	5.5	1.45	GR49 GRF49	6P*	6.1	179	139.99			5.6					1.70	7.0	156	121.87	5.7	1.95	7.4	147	176.88	5.7	2.00			8.0	135	162.94	5.7	2.20	GR49 GRF49	4P	9.4					116	139.99	5.8	2.60	11	101	121.87	5.8	3.00	11	95	114.17	5.8	3.20	13	84	100.86	5.8	3.60	14	78	93.68	5.8	3.90	6.3			167	134.82	5.0	1.15	6.9	153	123.66	5.1	1.25	GR39 GRF39	6P*			8.1					131	105.28	5.3	1.50	9.4	113	90.77	5.4	1.75	10	105	84.61	5.5	1.85			11	92	73.96	5.6	2.10	9.7	109	134.82	5.5	1.80	11	100	123.66	5.5	1.95			GR39 GRF39	4P	12			85	105.28	5.6	2.30	14	73	90.77	5.6	2.70	15			68	84.61	5.7	2.80	18	60	73.96	5.7	3.30	6.9	154	123.91	3.9	0.80	8.1	131	105.49			4.0	0.95	GR29 GRF29	6P*	9.3			113			90.96	4.1	1.10	10	105	84.78	4.1	1.20	11	92	74.11	4.2	1.40	9.7	109	135.09	4.1	1.15	11			100	123.91	4.1	1.25	GR29 GRF29			4P	12	85			105.49	4.2	1.50	14	73	90.96	4.2	1.70	15	68	84.61	5.7	2.80	18	60	73.96	5.7	3.30	216	5.2	6.07	4.1					8.60	253	4.4	5.18	3.8	17	GRX69 GRXF69			4P	289	3.9	4.53	3.7	22	305	3.7	4.30	3.6	22			238	4.7	5.50	3.2	8.50	258	4.3	5.07	3.1			8.60	GRX59 GRXF59	4P	301	3.7	4.35	3.0	19	346	3.2	3.79	2.8	22	369	3.0	3.55	2.8	24	417	2.7	3.14	2.7	25	450	2.5	2.91	2.6	28	496
7.3	141	179	4.1	1.00			8.4	123	156			4.1	1.10	10	101	81.64	0.3	0.80			4.4	250	195.24	12	3.30	GR79 GRF79	6P*	5.1	213	166.59	12	3.90	5.8	187			145.67	12	4.40			12	87	70.39	1.4	0.95	13	81	65.61	1.8	1.00	GR19 GRF19	6P*	15	71	57.35	2.3	1.15	16	67			53.76	2.4	1.25			4.3	256	199.81	10	2.40	4.6	236	184.07	10	2.60	GR69 GRF69	6P*	5.4	203	158.14	10	3.00	6.2	176			137.67	10	3.40			6.6	165	128.97	10	3.70	7.5	90			113.94	10	4.10	6.6	166	199.81	10	3.60	GR69 GRF69	4P	7.1	153	184.07	10	3.90	4.5	239			186.89	7.4	1.90	4.9	221	172.17	7.4	2.00	GR59 GRF59	6P*	5.7	189	147.92	7.5	2.40	6.6	165					128.77	7.5	2.70					7.0			155	120.63	7.5	2.90	8.0	137	106.58	7.6	3.30	8.6	127	98.99	7.6	3.60	7.0	155	186.89	7.5	2.90	7.6	143	172.17	7.5	3.20	GR59 GRF59	4P	8.9	123	147.92	7.6	3.70			10.2	107	128.77			7.6	4.20	4.8	227	176.88	5.5	1.35	5.2	209	162.94	5.5	1.45	GR49 GRF49	6P*	6.1	179	139.99	5.6	1.70			7.0	156	121.87			5.7	1.95	7.4			147	176.88	5.7	2.00	8.0	135	162.94	5.7	2.20	GR49 GRF49	4P			9.4	116	139.99	5.8	2.60			11					101	121.87	5.8	3.00	11	95	114.17	5.8	3.20	13	84	100.86	5.8	3.60	14	78	93.68	5.8	3.90	6.3	167	134.82	5.0	1.15	6.9	153	123.66	5.1	1.25	GR39 GRF39	6P*	8.1	131	105.28	5.3	1.50					9.4					113	90.77	5.4	1.75	10	105	84.61	5.5	1.85	11	92	73.96	5.6	2.10			9.7	109	134.82	5.5	1.80	11	100	123.66	5.5	1.95	GR39 GRF39	4P	12	85	105.28					5.6			2.30	14	73	90.77	5.6	2.70	15	68	84.61	5.7	2.80	18	60	73.96	5.7	3.30	6.9	154	123.91	3.9	0.80	8.1	131	105.49	4.0	0.95	GR29 GRF29	6P*	9.3			113	90.96			4.1			1.10	10	105	84.78	4.1	1.20	11	92	74.11	4.2	1.40	9.7	109	135.09	4.1	1.15	11	100	123.91	4.1	1.25	GR29 GRF29			4P	12	85	105.49					4.2	1.50			14	73	90.96	4.2	1.70	15	68	84.61	5.7	2.80	18	60	73.96	5.7	3.30	216	5.2	6.07	4.1	8.60	253	4.4	5.18			3.8	17	GRX69 GRXF69	4P	289	3.9	4.53					3.7	22	305	3.7	4.30	3.6	22	238	4.7	5.50			3.2	8.50	258	4.3	5.07	3.1	8.60	GRX59 GRXF59	4P			301			3.7	4.35	3.0	19	346	3.2	3.79	2.8	22	369	3.0	3.55	2.8	24	417	2.7	3.14	2.7	25	450	2.5	2.91	2.6	28	496	2.3
8.4	123	156	4.1	1.10			10	101	81.64			0.3	0.80	4.4	250	195.24	12	3.30	GR79 GRF79	6P*	5.1	213	166.59	12	3.90			5.8	187	145.67	12	4.40	12	87			70.39	1.4	0.95	13	81	65.61	1.8	1.00	GR19 GRF19	6P*	15	71	57.35	2.3	1.15			16	67	53.76	2.4	1.25	4.3	256			199.81	10	2.40	4.6	236	184.07	10	2.60	GR69 GRF69	6P*	5.4	203	158.14	10	3.00			6.2	176	137.67	10	3.40	6.6	165			128.97	10	3.70			7.5	90	113.94	10	4.10	6.6	166	199.81	10	3.60	GR69 GRF69	4P	7.1	153	184.07	10	3.90			4.5	239	186.89	7.4	1.90	4.9	221	172.17	7.4	2.00	GR59 GRF59	6P*	5.7	189	147.92	7.5	2.40			6.6	165	128.77	7.5	2.70	7.0	155	120.63	7.5			2.90	8.0	137					106.58			7.6	3.30	8.6	127	98.99	7.6	3.60	7.0	155	186.89	7.5	2.90	7.6	143	172.17	7.5	3.20	GR59 GRF59	4P	8.9	123	147.92	7.6	3.70			10.2	107	128.77	7.6	4.20			4.8	227	176.88	5.5	1.35	5.2	209	162.94	5.5	1.45	GR49 GRF49	6P*	6.1	179	139.99	5.6	1.70			7.0	156	121.87	5.7	1.95			7.4	147	176.88	5.7	2.00	8.0	135	162.94			5.7	2.20	GR49 GRF49	4P	9.4	116	139.99	5.8	2.60					11	101	121.87	5.8	3.00			11					95	114.17	5.8	3.20	13	84	100.86	5.8	3.60	14	78	93.68	5.8	3.90	6.3	167	134.82	5.0	1.15	6.9	153	123.66	5.1	1.25	GR39 GRF39	6P*	8.1	131	105.28			5.3	1.50	9.4	113	90.77			5.4	1.75	10		105	84.61		5.5	1.85	11	92	73.96	5.6	2.10	9.7	109	134.82	5.5	1.80	11	100			123.66	5.5	1.95	GR39 GRF39	4P	12	85	105.28	5.6	2.30			14	73	90.77					5.6			2.70	15	68	84.61	5.7	2.80	18	60	73.96	5.7	3.30	6.9	154	123.91	3.9	0.80	8.1	131	105.49	4.0	0.95	GR29 GRF29	6P*	9.3	113	90.96			4.1	1.10	10	105	84.78			4.1			1.20	11	92	74.11	4.2	1.40	9.7	109	135.09	4.1	1.15	11	100	123.91	4.1	1.25	GR29 GRF29	4P	12	85	105.49		4.2	1.50		14	73	90.96					4.2	1.70			15	68	84.61	5.7	2.80	18	60	73.96	5.7	3.30	216	5.2	6.07	4.1	8.60	253	4.4	5.18	3.8	17	GRX69 GRXF69	4P	289			3.9	4.53			3.7	22	305		3.7	4.30		3.6	22	238	4.7	5.50	3.2	8.50	258	4.3	5.07			3.1	8.60	GRX59 GRXF59	4P	301	3.7	4.35					3.0			19	346	3.2	3.79	2.8	22	369	3.0	3.55	2.8	24	417	2.7	3.14	2.7	25	450	2.5	2.91	2.6	28	496	2.3	2.64	2.5	31
10	101	81.64	0.3	0.80			4.4	250	195.24	12	3.30	GR79 GRF79	6P*	5.1	213	166.59	12	3.90			5.8	187	145.67	12	4.40			12	87	70.39	1.4	0.95	13	81	65.61	1.8	1.00	GR19 GRF19	6P*	15	71	57.35	2.3	1.15			16	67	53.76	2.4	1.25			4.3	256	199.81	10	2.40	4.6	236	184.07	10	2.60	GR69 GRF69	6P*	5.4	203	158.14	10	3.00			6.2	176	137.67	10	3.40			6.6	165	128.97	10	3.70	7.5	90			113.94	10	4.10	6.6	166	199.81	10	3.60	GR69 GRF69	4P	7.1	153	184.07	10	3.90			4.5	239	186.89	7.4	1.90	4.9	221	172.17	7.4	2.00	GR59 GRF59	6P*	5.7	189	147.92	7.5	2.40			6.6	165	128.77	7.5	2.70			7.0	155	120.63	7.5	2.90	8.0	137	106.58	7.6			3.30	8.6	127	98.99	7.6			3.60			7.0	155	186.89	7.5	2.90	7.6	143	172.17	7.5	3.20	GR59 GRF59	4P	8.9	123	147.92	7.6	3.70			10.2	107	128.77	7.6	4.20			4.8	227	176.88	5.5	1.35	5.2	209	162.94	5.5	1.45	GR49 GRF49	6P*	6.1	179	139.99	5.6	1.70			7.0	156	121.87	5.7	1.95			7.4	147	176.88	5.7	2.00	8.0	135	162.94	5.7	2.20	GR49 GRF49	4P	9.4	116	139.99	5.8	2.60	11	101			121.87	5.8	3.00	11	95					114.17	5.8	3.20	13	84			100.86					5.8	3.60	14	78	93.68	5.8	3.90	6.3	167	134.82	5.0	1.15	6.9	153	123.66	5.1	1.25	GR39 GRF39	6P*	8.1	131	105.28	5.3	1.50			9.4	113	90.77			5.4	1.75	10	105	84.61			5.5	1.85	11	92	73.96	5.6	2.10	9.7	109	134.82	5.5	1.80	11	100	123.66	5.5	1.95	GR39 GRF39	4P	12	85	105.28	5.6	2.30	14	73			90.77	5.6	2.70	15	68			84.61	5.7	2.80					18			60	73.96	5.7	3.30	6.9	154	123.91	3.9	0.80	8.1	131	105.49	4.0	0.95	GR29 GRF29	6P*	9.3	113	90.96	4.1	1.10			10	105	84.78			4.1	1.20	11	92	74.11			4.2	1.40	9.7	109	135.09	4.1	1.15	11	100	123.91	4.1	1.25	GR29 GRF29	4P	12	85	105.49	4.2	1.50			14	73	90.96		4.2	1.70		15	68	84.61		5.7	2.80		18	60			73.96	5.7	3.30	216	5.2	6.07	4.1	8.60	253	4.4	5.18	3.8	17	GRX69 GRXF69	4P	289	3.9	4.53	3.7	22			305			3.7	4.30			3.6	22	238	4.7	5.50	3.2	8.50	258	4.3	5.07	3.1	8.60	GRX59 GRXF59	4P	301	3.7	4.35			3.0	19			346	3.2	3.79					2.8			22	369	3.0	3.55	2.8	24	417	2.7	3.14	2.7	25	450	2.5	2.91	2.6	28	496	2.3	2.64	2.5	31	553	2.0	2.37	2.4	35
4.4	250	195.24	12	3.30	GR79 GRF79	6P*	5.1	213	166.59	12	3.90			5.8	187	145.67	12	4.40			12	87	70.39	1.4	0.95	13	81	65.61	1.8	1.00	GR19 GRF19	6P*	15	71	57.35	2.3	1.15			16	67	53.76	2.4	1.25			4.3	256	199.81	10	2.40	4.6	236	184.07	10	2.60	GR69 GRF69	6P*	5.4	203	158.14	10	3.00			6.2	176	137.67	10	3.40			6.6	165	128.97	10	3.70			7.5	90	113.94	10	4.10	6.6	166	199.81	10	3.60	GR69 GRF69	4P	7.1	153	184.07	10	3.90			4.5	239	186.89	7.4	1.90	4.9	221	172.17	7.4	2.00	GR59 GRF59	6P*	5.7	189	147.92	7.5	2.40			6.6	165	128.77	7.5	2.70			7.0	155	120.63	7.5	2.90			8.0	137	106.58	7.6	3.30	8.6	127	98.99	7.6			3.60	7.0	155	186.89	7.5			2.90	7.6	143	172.17	7.5	3.20	GR59 GRF59	4P	8.9	123	147.92	7.6	3.70			10.2	107	128.77	7.6	4.20			4.8	227	176.88	5.5	1.35	5.2	209	162.94	5.5	1.45	GR49 GRF49	6P*	6.1	179	139.99	5.6	1.70			7.0	156	121.87	5.7	1.95			7.4	147	176.88	5.7	2.00	8.0	135	162.94	5.7	2.20	GR49 GRF49	4P	9.4	116	139.99	5.8	2.60			11	101	121.87	5.8	3.00	11	95			114.17	5.8	3.20	13	84			100.86	5.8	3.60	14	78	93.68	5.8			3.90					6.3	167	134.82	5.0	1.15	6.9	153	123.66	5.1	1.25	GR39 GRF39	6P*	8.1	131	105.28	5.3	1.50			9.4	113	90.77	5.4	1.75			10	105	84.61			5.5	1.85	11	92	73.96	5.6	2.10	9.7	109	134.82	5.5	1.80	11	100	123.66	5.5	1.95	GR39 GRF39	4P	12	85	105.28	5.6	2.30			14	73	90.77	5.6	2.70	15	68			84.61	5.7	2.80	18	60			73.96	5.7	3.30	6.9	154			123.91			3.9	0.80	8.1	131	105.49	4.0	0.95	GR29 GRF29	6P*	9.3	113	90.96	4.1	1.10			10	105	84.78	4.1	1.20			11	92	74.11			4.2	1.40	9.7	109	135.09	4.1	1.15	11	100	123.91	4.1	1.25	GR29 GRF29	4P	12	85	105.49	4.2	1.50			14	73	90.96	4.2	1.70			15	68	84.61		5.7	2.80		18	60	73.96	5.7	3.30	216	5.2	6.07	4.1			8.60	253	4.4	5.18	3.8	17	GRX69 GRXF69	4P	289	3.9	4.53	3.7	22			305	3.7	4.30	3.6	22			238			4.7	5.50	3.2	8.50	258	4.3	5.07	3.1	8.60	GRX59 GRXF59	4P	301	3.7	4.35	3.0	19			346	3.2	3.79			2.8	22			369	3.0	3.55					2.8			24	417	2.7	3.14	2.7	25	450	2.5	2.91	2.6	28	496	2.3	2.64	2.5	31	553	2.0	2.37	2.4	35	642	1.7	2.04	2.3	41
5.1	213	166.59	12	3.90			5.8	187	145.67	12	4.40			12	87	70.39	1.4	0.95	13	81	65.61	1.8	1.00	GR19 GRF19	6P*	15	71	57.35	2.3	1.15			16	67	53.76	2.4	1.25			4.3	256	199.81	10	2.40	4.6	236	184.07	10	2.60	GR69 GRF69	6P*	5.4	203	158.14	10	3.00			6.2	176	137.67	10	3.40			6.6	165	128.97	10	3.70			7.5	90	113.94	10	4.10	6.6	166	199.81	10	3.60	GR69 GRF69	4P	7.1	153	184.07	10	3.90			4.5	239	186.89	7.4	1.90	4.9	221	172.17	7.4	2.00	GR59 GRF59	6P*	5.7	189	147.92	7.5	2.40			6.6	165	128.77	7.5	2.70			7.0	155	120.63	7.5	2.90			8.0	137	106.58	7.6	3.30			8.6	127	98.99	7.6	3.60	7.0	155	186.89	7.5			2.90	7.6	143	172.17	7.5	3.20	GR59 GRF59	4P	8.9	123	147.92	7.6	3.70			10.2	107	128.77	7.6	4.20			4.8	227	176.88	5.5	1.35	5.2	209	162.94	5.5	1.45	GR49 GRF49	6P*	6.1	179	139.99	5.6	1.70			7.0	156	121.87	5.7	1.95			7.4	147	176.88	5.7	2.00	8.0	135	162.94	5.7	2.20	GR49 GRF49	4P	9.4	116	139.99	5.8	2.60			11	101	121.87	5.8	3.00			11	95	114.17	5.8	3.20	13	84			100.86	5.8	3.60	14	78			93.68	5.8	3.90	6.3	167	134.82	5.0			1.15		6.9	153		123.66	5.1	1.25	GR39 GRF39	6P*	8.1	131	105.28	5.3	1.50			9.4	113	90.77	5.4	1.75			10	105	84.61	5.5	1.85			11	92	73.96	5.6	2.10	9.7	109	134.82	5.5	1.80	11	100	123.66	5.5	1.95	GR39 GRF39	4P	12	85	105.28	5.6	2.30			14	73	90.77	5.6	2.70			15	68	84.61	5.7	2.80	18	60			73.96	5.7	3.30	6.9	154			123.91	3.9	0.80	8.1	131			105.49	4.0	0.95	GR29 GRF29	6P*	9.3	113	90.96	4.1	1.10			10	105	84.78	4.1	1.20			11	92	74.11	4.2	1.40			9.7	109	135.09	4.1	1.15	11	100	123.91	4.1	1.25	GR29 GRF29	4P	12	85	105.49	4.2	1.50			14	73	90.96	4.2	1.70			15	68	84.61	5.7	2.80			18	60	73.96	5.7	3.30	216	5.2	6.07	4.1	8.60	253	4.4	5.18	3.8	17	GRX69 GRXF69			4P	289	3.9	4.53	3.7	22			305	3.7	4.30	3.6	22			238	4.7	5.50	3.2	8.50	258	4.3	5.07			3.1	8.60	GRX59 GRXF59	4P	301	3.7	4.35	3.0	19			346	3.2	3.79	2.8	22			369	3.0	3.55			2.8	24			417	2.7	3.14					2.7			25	450	2.5	2.91	2.6	28	496	2.3	2.64	2.5	31	553	2.0	2.37	2.4	35	642	1.7	2.04	2.3	41	682	1.6	1.92	2.3	43
5.8	187	145.67	12	4.40			12	87	70.39	1.4	0.95	13	81	65.61	1.8	1.00	GR19 GRF19	6P*	15	71	57.35	2.3	1.15			16	67	53.76	2.4	1.25			4.3	256	199.81	10	2.40	4.6	236	184.07	10	2.60	GR69 GRF69	6P*	5.4	203	158.14	10	3.00			6.2	176	137.67	10	3.40			6.6	165	128.97	10	3.70			7.5	90	113.94	10	4.10	6.6	166	199.81	10	3.60	GR69 GRF69	4P	7.1	153	184.07	10	3.90			4.5	239	186.89	7.4	1.90	4.9	221	172.17	7.4	2.00	GR59 GRF59	6P*	5.7	189	147.92	7.5	2.40			6.6	165	128.77	7.5	2.70			7.0	155	120.63	7.5	2.90			8.0	137	106.58	7.6	3.30			8.6	127	98.99	7.6	3.60			7.0	155	186.89	7.5	2.90	7.6	143	172.17	7.5	3.20	GR59 GRF59	4P	8.9	123	147.92	7.6	3.70			10.2	107	128.77	7.6	4.20			4.8	227	176.88	5.5	1.35	5.2	209	162.94	5.5	1.45	GR49 GRF49	6P*	6.1	179	139.99	5.6	1.70			7.0	156	121.87	5.7	1.95			7.4	147	176.88	5.7	2.00	8.0	135	162.94	5.7	2.20	GR49 GRF49	4P	9.4	116	139.99	5.8	2.60			11	101	121.87	5.8	3.00			11	95	114.17	5.8	3.20			13	84	100.86	5.8	3.60	14	78			93.68	5.8	3.90	6.3	167			134.82	5.0	1.15	6.9	153	123.66	5.1			1.25	GR39 GRF39	6P*	8.1	131	105.28	5.3	1.50			9.4	113	90.77	5.4	1.75			10	105	84.61	5.5	1.85			11	92	73.96	5.6	2.10	9.7	109	134.82	5.5	1.80	11	100	123.66	5.5	1.95	GR39 GRF39	4P	12	85	105.28	5.6	2.30			14	73	90.77	5.6	2.70			15	68	84.61	5.7	2.80			18	60	73.96	5.7	3.30	6.9	154			123.91	3.9	0.80	8.1	131			105.49	4.0	0.95	GR29 GRF29	6P*	9.3	113	90.96	4.1	1.10			10	105	84.78	4.1	1.20			11	92	74.11	4.2	1.40			9.7	109	135.09	4.1	1.15	11	100	123.91	4.1	1.25	GR29 GRF29	4P	12	85	105.49	4.2	1.50			14	73	90.96	4.2	1.70			15	68	84.61	5.7	2.80			18	60	73.96	5.7	3.30	216	5.2	6.07	4.1	8.60	253	4.4	5.18	3.8	17	GRX69 GRXF69	4P	289	3.9	4.53	3.7	22					305	3.7	4.30	3.6	22			238	4.7	5.50	3.2	8.50	258	4.3	5.07	3.1	8.60	GRX59 GRXF59	4P	301	3.7	4.35			3.0	19			346	3.2	3.79	2.8	22			369	3.0	3.55	2.8	24			417	2.7	3.14			2.7	25			450	2.5	2.91					2.6			28	496	2.3	2.64	2.5	31	553	2.0	2.37	2.4	35	642	1.7	2.04	2.3	41	682	1.6	1.92	2.3	43	794	1.4	1.65	2.1	49
12	87	70.39	1.4	0.95	13	81	65.61	1.8	1.00	GR19 GRF19	6P*	15	71	57.35	2.3	1.15			16	67	53.76	2.4	1.25			4.3	256	199.81	10	2.40	4.6	236	184.07	10	2.60	GR69 GRF69	6P*	5.4	203	158.14	10	3.00			6.2	176	137.67	10	3.40			6.6	165	128.97	10	3.70			7.5	90	113.94	10	4.10	6.6	166	199.81	10	3.60	GR69 GRF69	4P	7.1	153	184.07	10	3.90			4.5	239	186.89	7.4	1.90	4.9	221	172.17	7.4	2.00	GR59 GRF59	6P*	5.7	189	147.92	7.5	2.40			6.6	165	128.77	7.5	2.70			7.0	155	120.63	7.5	2.90			8.0	137	106.58	7.6	3.30			8.6	127	98.99	7.6	3.60			7.0	155	186.89	7.5	2.90	7.6	143	172.17	7.5	3.20	GR59 GRF59	4P	8.9	123	147.92	7.6	3.70			10.2	107	128.77	7.6	4.20			4.8	227	176.88	5.5	1.35	5.2	209	162.94	5.5	1.45	GR49 GRF49	6P*	6.1	179	139.99	5.6	1.70			7.0	156	121.87	5.7	1.95			7.4	147	176.88	5.7	2.00	8.0	135	162.94	5.7	2.20	GR49 GRF49	4P	9.4	116	139.99	5.8	2.60			11	101	121.87	5.8	3.00			11	95	114.17	5.8	3.20			13	84	100.86	5.8	3.60			14	78	93.68	5.8	3.90	6.3	167			134.82	5.0	1.15	6.9	153			123.66	5.1	1.25	GR39 GRF39	6P*	8.1	131	105.28	5.3	1.50			9.4	113	90.77	5.4	1.75			10	105	84.61	5.5	1.85			11	92	73.96	5.6	2.10	9.7	109	134.82	5.5	1.80	11	100	123.66	5.5	1.95	GR39 GRF39	4P	12	85	105.28	5.6	2.30			14	73	90.77	5.6	2.70			15	68	84.61	5.7	2.80			18	60	73.96	5.7	3.30			6.9	154	123.91	3.9	0.80	8.1	131			105.49	4.0	0.95	GR29 GRF29	6P*	9.3	113	90.96	4.1	1.10			10	105	84.78	4.1	1.20			11	92	74.11	4.2	1.40			9.7	109	135.09	4.1	1.15	11	100	123.91	4.1	1.25	GR29 GRF29	4P	12	85	105.49	4.2	1.50			14	73	90.96	4.2	1.70			15	68	84.61	5.7	2.80			18	60	73.96	5.7	3.30	216	5.2	6.07	4.1	8.60	253	4.4	5.18	3.8	17	GRX69 GRXF69	4P	289	3.9	4.53	3.7	22			305	3.7	4.30	3.6	22					238	4.7	5.50	3.2	8.50	258	4.3	5.07	3.1	8.60	GRX59 GRXF59	4P	301	3.7	4.35	3.0	19			346	3.2	3.79			2.8	22			369	3.0	3.55	2.8	24			417	2.7	3.14	2.7	25			450	2.5	2.91			2.6	28			496	2.3	2.64					2.5			31	553	2.0	2.37	2.4	35	642	1.7	2.04	2.3	41	682	1.6	1.92	2.3	43	794	1.4	1.65	2.1	49					
13	81	65.61	1.8	1.00	GR19 GRF19	6P*	15	71	57.35			2.3	1.15	16	67	53.76			2.4	1.25	4.3	256	199.81	10	2.40	4.6	236	184.07	10	2.60	GR69 GRF69	6P*	5.4	203	158.14			10	3.00	6.2	176	137.67			10	3.40	6.6	165	128.97			10	3.70	7.5	90	113.94	10	4.10	6.6	166	199.81	10	3.60	GR69 GRF69	4P	7.1	153	184.07			10	3.90	4.5	239	186.89	7.4	1.90	4.9	221	172.17	7.4	2.00	GR59 GRF59	6P*	5.7	189	147.92			7.5	2.40	6.6	165	128.77			7.5	2.70	7.0	155	120.63			7.5	2.90	8.0	137	106.58			7.6	3.30	8.6	127	98.99			7.6	3.60	7.0	155	186.89	7.5	2.90	7.6	143	172.17	7.5	3.20	GR59 GRF59	4P	8.9	123	147.92			7.6	3.70	10.2	107	128.77			7.6	4.20	4.8	227	176.88	5.5	1.35	5.2	209	162.94	5.5	1.45	GR49 GRF49	6P*	6.1	179	139.99			5.6	1.70	7.0	156	121.87			5.7	1.95	7.4	147	176.88	5.7	2.00	8.0	135	162.94	5.7	2.20	GR49 GRF49	4P	9.4	116	139.99			5.8	2.60	11	101	121.87			5.8	3.00	11	95	114.17			5.8	3.20	13	84	100.86			5.8	3.60	14	78	93.68			5.8	3.90	6.3	167	134.82	5.0	1.15			6.9	153	123.66	5.1	1.25	GR39 GRF39	6P*	8.1	131	105.28			5.3	1.50	9.4	113	90.77			5.4	1.75	10	105	84.61			5.5	1.85	11	92	73.96	5.6	2.10	9.7	109	134.82	5.5	1.80	11	100	123.66	5.5	1.95	GR39 GRF39	4P	12	85	105.28			5.6	2.30	14	73	90.77			5.6	2.70	15	68	84.61			5.7	2.80	18	60	73.96			5.7	3.30	6.9	154	123.91			3.9	0.80	8.1	131	105.49	4.0	0.95	GR29 GRF29	6P*	9.3	113	90.96			4.1	1.10	10	105	84.78			4.1	1.20	11	92	74.11			4.2	1.40	9.7	109	135.09	4.1	1.15	11	100	123.91	4.1	1.25	GR29 GRF29	4P	12	85	105.49			4.2	1.50	14	73	90.96			4.2	1.70	15	68	84.61			5.7	2.80	18	60	73.96	5.7	3.30	216	5.2	6.07	4.1	8.60	253	4.4	5.18	3.8	17	GRX69 GRXF69	4P	289	3.9	4.53			3.7	22	305	3.7	4.30			3.6	22	238	4.7	5.50	3.2	8.50	258	4.3	5.07	3.1	8.60	GRX59 GRXF59	4P	301	3.7	4.35	3.0	19			346	3.2	3.79	2.8	22			369	3.0	3.55			2.8	24			417	2.7	3.14	2.7	25			450	2.5	2.91	2.6	28			496	2.3	2.64			2.5	31			553	2.0	2.37					2.4			35	642	1.7	2.04	2.3	41	682	1.6	1.92	2.3	43	794	1.4	1.65	2.1	49										
15	71	57.35	2.3	1.15			16	67	53.76			2.4	1.25	4.3	256	199.81	10	2.40	4.6	236	184.07	10	2.60	GR69 GRF69	6P*	5.4	203	158.14	10	3.00			6.2	176	137.67			10	3.40	6.6	165	128.97			10	3.70	7.5	90	113.94	10	4.10	6.6	166	199.81	10	3.60	GR69 GRF69	4P	7.1	153	184.07	10	3.90			4.5	239	186.89	7.4	1.90	4.9	221	172.17	7.4	2.00	GR59 GRF59	6P*	5.7	189	147.92	7.5	2.40			6.6	165	128.77			7.5	2.70	7.0	155	120.63			7.5	2.90	8.0	137	106.58			7.6	3.30	8.6	127	98.99			7.6	3.60	7.0	155	186.89	7.5	2.90	7.6	143	172.17	7.5	3.20	GR59 GRF59	4P	8.9	123	147.92	7.6	3.70			10.2	107	128.77			7.6	4.20	4.8	227	176.88	5.5	1.35	5.2	209	162.94	5.5	1.45	GR49 GRF49	6P*	6.1	179	139.99	5.6	1.70			7.0	156	121.87			5.7	1.95	7.4	147	176.88	5.7	2.00	8.0	135	162.94	5.7	2.20	GR49 GRF49	4P	9.4	116	139.99	5.8	2.60			11	101	121.87			5.8	3.00	11	95	114.17			5.8	3.20	13	84	100.86			5.8	3.60	14	78	93.68			5.8	3.90	6.3	167	134.82			5.0	1.15	6.9	153	123.66	5.1	1.25	GR39 GRF39	6P*	8.1	131	105.28	5.3	1.50			9.4	113	90.77			5.4	1.75	10	105	84.61			5.5	1.85	11	92	73.96	5.6	2.10	9.7	109	134.82	5.5	1.80	11	100	123.66	5.5	1.95	GR39 GRF39	4P	12	85	105.28	5.6	2.30			14	73	90.77			5.6	2.70	15	68	84.61			5.7	2.80	18	60	73.96			5.7	3.30	6.9	154	123.91			3.9	0.80	8.1	131	105.49	4.0	0.95	GR29 GRF29	6P*	9.3	113	90.96	4.1	1.10			10	105	84.78			4.1	1.20	11	92	74.11			4.2	1.40	9.7	109	135.09	4.1	1.15	11	100	123.91	4.1	1.25	GR29 GRF29	4P	12	85	105.49	4.2	1.50			14	73	90.96			4.2	1.70	15	68	84.61			5.7	2.80	18	60	73.96	5.7	3.30	216	5.2	6.07	4.1	8.60	253	4.4	5.18	3.8	17	GRX69 GRXF69	4P	289	3.9	4.53	3.7	22			305	3.7	4.30			3.6	22	238	4.7	5.50	3.2	8.50	258	4.3	5.07	3.1	8.60	GRX59 GRXF59	4P	301	3.7	4.35	3.0	19			346	3.2	3.79	2.8	22			369	3.0	3.55	2.8	24			417	2.7	3.14	2.7	25	450	2.5			2.91	2.6	28	496	2.3			2.64	2.5	31	553	2.0			2.37	2.4	35			642	1.7			2.04	2.3	41					682			1.6	1.92	2.3	43	794	1.4	1.65	2.1	49																	
16	67	53.76	2.4	1.25			4.3	256	199.81	10	2.40	4.6	236	184.07	10	2.60	GR69 GRF69	6P*	5.4	203	158.14	10	3.00			6.2	176	137.67	10	3.40			6.6	165	128.97			10	3.70	7.5	90	113.94	10	4.10	6.6	166	199.81	10	3.60	GR69 GRF69	4P	7.1	153	184.07	10	3.90			4.5	239	186.89	7.4	1.90	4.9	221	172.17	7.4	2.00	GR59 GRF59	6P*	5.7	189	147.92	7.5	2.40			6.6	165	128.77	7.5	2.70			7.0	155	120.63			7.5	2.90	8.0	137	106.58			7.6	3.30	8.6	127	98.99			7.6	3.60	7.0	155	186.89	7.5	2.90	7.6	143	172.17	7.5	3.20	GR59 GRF59	4P	8.9	123	147.92	7.6	3.70			10.2	107	128.77	7.6	4.20			4.8	227	176.88	5.5	1.35	5.2	209	162.94	5.5	1.45	GR49 GRF49	6P*	6.1	179	139.99	5.6	1.70			7.0	156	121.87	5.7	1.95			7.4	147	176.88	5.7	2.00	8.0	135	162.94	5.7	2.20	GR49 GRF49	4P	9.4	116	139.99	5.8	2.60			11	101	121.87	5.8	3.00			11	95	114.17			5.8	3.20	13	84	100.86			5.8	3.60	14	78	93.68			5.8	3.90	6.3	167	134.82			5.0	1.15	6.9	153	123.66	5.1	1.25	GR39 GRF39	6P*	8.1	131	105.28	5.3	1.50			9.4	113	90.77	5.4	1.75			10	105	84.61			5.5	1.85	11	92	73.96	5.6	2.10	9.7	109	134.82	5.5	1.80	11	100	123.66	5.5	1.95	GR39 GRF39	4P	12	85	105.28	5.6	2.30			14	73	90.77	5.6	2.70			15	68	84.61			5.7	2.80	18	60	73.96			5.7	3.30	6.9	154	123.91			3.9	0.80	8.1	131	105.49	4.0	0.95	GR29 GRF29	6P*	9.3	113	90.96	4.1	1.10			10	105	84.78	4.1	1.20			11	92	74.11			4.2	1.40	9.7	109	135.09	4.1	1.15	11	100	123.91	4.1	1.25	GR29 GRF29	4P	12	85	105.49	4.2	1.50			14	73	90.96	4.2	1.70			15	68	84.61			5.7	2.80	18	60	73.96	5.7	3.30	216	5.2	6.07	4.1	8.60	253	4.4	5.18	3.8	17	GRX69 GRXF69	4P	289	3.9	4.53	3.7	22			305	3.7	4.30	3.6	22			238	4.7	5.50	3.2	8.50	258	4.3	5.07	3.1	8.60	GRX59 GRXF59	4P	301	3.7	4.35	3.0	19			346	3.2	3.79	2.8	22			369	3.0	3.55	2.8	24			417	2.7	3.14	2.7	25			450	2.5	2.91	2.6	28	496	2.3			2.64	2.5	31	553	2.0			2.37	2.4	35	642	1.7			2.04	2.3	41	682	1.6	1.92	2.3			43	794	1.4					1.65			2.1	49																								
4.3	256	199.81	10	2.40	4.6	236	184.07	10	2.60	GR69 GRF69	6P*	5.4	203	158.14	10	3.00			6.2	176	137.67	10	3.40			6.6	165	128.97	10	3.70			7.5	90	113.94	10	4.10	6.6	166	199.81	10	3.60	GR69 GRF69	4P	7.1	153	184.07	10	3.90			4.5	239	186.89	7.4	1.90	4.9	221	172.17	7.4	2.00	GR59 GRF59	6P*	5.7	189	147.92	7.5	2.40			6.6	165	128.77	7.5	2.70			7.0	155	120.63	7.5	2.90			8.0	137	106.58			7.6	3.30	8.6	127	98.99			7.6	3.60	7.0	155	186.89	7.5	2.90	7.6	143	172.17	7.5	3.20	GR59 GRF59	4P	8.9	123	147.92	7.6	3.70			10.2	107	128.77	7.6	4.20			4.8	227	176.88	5.5	1.35	5.2	209	162.94	5.5	1.45	GR49 GRF49	6P*	6.1	179	139.99	5.6	1.70			7.0	156	121.87	5.7	1.95			7.4	147	176.88	5.7	2.00	8.0	135	162.94	5.7	2.20	GR49 GRF49	4P	9.4	116	139.99	5.8	2.60			11	101	121.87	5.8	3.00			11	95	114.17	5.8	3.20			13	84	100.86			5.8	3.60	14	78	93.68			5.8	3.90	6.3	167	134.82			5.0	1.15	6.9	153	123.66	5.1	1.25	GR39 GRF39	6P*	8.1	131	105.28	5.3	1.50			9.4	113	90.77	5.4	1.75			10	105	84.61	5.5	1.85			11	92	73.96	5.6	2.10	9.7	109	134.82	5.5	1.80	11	100	123.66	5.5	1.95	GR39 GRF39	4P	12	85	105.28	5.6	2.30			14	73	90.77	5.6	2.70			15	68	84.61	5.7	2.80			18	60	73.96			5.7	3.30	6.9	154	123.91			3.9	0.80	8.1	131	105.49	4.0	0.95	GR29 GRF29	6P*	9.3	113	90.96	4.1	1.10			10	105	84.78	4.1	1.20			11	92	74.11	4.2	1.40			9.7	109	135.09	4.1	1.15	11	100	123.91	4.1	1.25	GR29 GRF29	4P	12	85	105.49	4.2	1.50			14	73	90.96	4.2	1.70			15	68	84.61	5.7	2.80			18	60	73.96	5.7	3.30	216	5.2	6.07	4.1	8.60	253	4.4	5.18	3.8	17	GRX69 GRXF69	4P	289	3.9	4.53	3.7	22			305	3.7	4.30	3.6	22			238	4.7	5.50	3.2	8.50	258	4.3	5.07	3.1	8.60	GRX59 GRXF59	4P	301	3.7	4.35	3.0	19			346	3.2	3.79	2.8	22			369	3.0	3.55	2.8	24			417	2.7	3.14	2.7	25			450	2.5	2.91	2.6	28			496	2.3	2.64	2.5	31	553	2.0			2.37	2.4	35	642	1.7			2.04	2.3	41	682	1.6			1.92	2.3	43	794	1.4	1.65	2.1			49																																			
4.6	236	184.07	10	2.60	GR69 GRF69	6P*	5.4	203	158.14			10	3.00	6.2	176	137.67			10	3.40	6.6	165	128.97			10	3.70	7.5	90	113.94	10	4.10	6.6	166	199.81	10	3.60	GR69 GRF69	4P	7.1	153	184.07			10	3.90	4.5	239	186.89	7.4	1.90	4.9	221	172.17	7.4	2.00	GR59 GRF59	6P*	5.7	189	147.92			7.5	2.40	6.6	165	128.77			7.5	2.70	7.0	155	120.63			7.5	2.90	8.0	137	106.58			7.6	3.30	8.6			127	98.99	7.6	3.60	7.0	155	186.89	7.5	2.90	7.6	143	172.17	7.5	3.20	GR59 GRF59	4P	8.9	123	147.92			7.6	3.70	10.2	107	128.77			7.6	4.20	4.8	227	176.88	5.5	1.35	5.2	209	162.94	5.5	1.45	GR49 GRF49	6P*	6.1	179	139.99			5.6	1.70	7.0	156	121.87			5.7	1.95	7.4	147	176.88	5.7	2.00	8.0	135	162.94	5.7	2.20	GR49 GRF49	4P	9.4	116	139.99			5.8	2.60	11	101	121.87			5.8	3.00	11	95	114.17			5.8	3.20	13	84	100.86			5.8	3.60	14			78	93.68	5.8	3.90	6.3			167	134.82	5.0	1.15	6.9	153	123.66	5.1	1.25	GR39 GRF39	6P*	8.1	131	105.28			5.3	1.50	9.4	113	90.77			5.4	1.75	10	105	84.61			5.5	1.85	11	92	73.96	5.6	2.10	9.7	109	134.82	5.5	1.80	11	100	123.66	5.5	1.95	GR39 GRF39	4P	12	85	105.28			5.6	2.30	14	73	90.77			5.6	2.70	15	68	84.61			5.7	2.80	18	60	73.96			5.7	3.30	6.9			154	123.91	3.9	0.80	8.1	131	105.49	4.0	0.95	GR29 GRF29	6P*	9.3	113	90.96			4.1	1.10	10	105	84.78			4.1	1.20	11	92	74.11			4.2	1.40	9.7	109	135.09	4.1	1.15	11	100	123.91	4.1	1.25	GR29 GRF29	4P	12	85	105.49			4.2	1.50	14	73	90.96			4.2	1.70	15	68	84.61			5.7	2.80	18	60	73.96	5.7	3.30	216	5.2	6.07	4.1	8.60	253	4.4	5.18	3.8	17	GRX69 GRXF69	4P	289	3.9	4.53			3.7	22	305	3.7	4.30			3.6	22	238	4.7	5.50	3.2	8.50	258	4.3	5.07	3.1	8.60	GRX59 GRXF59	4P	301	3.7	4.35			3.0	19	346	3.2	3.79			2.8	22	369	3.0	3.55			2.8	24	417	2.7	3.14			2.7	25	450	2.5	2.91			2.6	28	496	2.3	2.64			2.5	31	553	2.0	2.37	2.4	35			642	1.7	2.04	2.3	41			682	1.6	1.92	2.3	43			794	1.4	1.65	2.1	49																																								
5.4	203	158.14	10	3.00			6.2	176	137.67			10	3.40	6.6	165	128.97			10	3.70	7.5	90	113.94	10	4.10	6.6	166	199.81	10	3.60	GR69 GRF69	4P	7.1	153	184.07	10	3.90			4.5	239	186.89	7.4	1.90	4.9	221	172.17	7.4	2.00	GR59 GRF59	6P*	5.7	189	147.92	7.5	2.40			6.6	165	128.77			7.5	2.70	7.0	155	120.63			7.5	2.90	8.0	137	106.58			7.6	3.30	8.6	127	98.99			7.6	3.60	7.0	155	186.89	7.5	2.90	7.6	143	172.17	7.5	3.20	GR59 GRF59	4P	8.9	123	147.92	7.6	3.70			10.2	107	128.77			7.6	4.20	4.8	227	176.88	5.5	1.35	5.2	209	162.94	5.5	1.45	GR49 GRF49	6P*	6.1	179	139.99	5.6	1.70			7.0	156	121.87			5.7	1.95	7.4	147	176.88	5.7	2.00	8.0	135	162.94	5.7	2.20	GR49 GRF49	4P	9.4	116	139.99	5.8	2.60			11	101	121.87			5.8	3.00	11	95	114.17			5.8	3.20	13	84	100.86			5.8	3.60	14	78	93.68			5.8	3.90	6.3			167	134.82	5.0	1.15	6.9	153	123.66	5.1	1.25	GR39 GRF39	6P*	8.1	131	105.28	5.3	1.50			9.4	113	90.77			5.4	1.75	10	105	84.61			5.5	1.85	11	92	73.96	5.6	2.10	9.7	109	134.82	5.5	1.80	11	100	123.66	5.5	1.95	GR39 GRF39	4P	12	85	105.28	5.6	2.30			14	73	90.77			5.6	2.70	15	68	84.61			5.7	2.80	18	60	73.96			5.7	3.30	6.9	154	123.91			3.9	0.80	8.1	131	105.49	4.0	0.95	GR29 GRF29	6P*	9.3	113	90.96	4.1	1.10			10	105	84.78			4.1	1.20	11	92	74.11			4.2	1.40	9.7	109	135.09	4.1	1.15	11	100	123.91	4.1	1.25	GR29 GRF29	4P	12	85	105.49	4.2	1.50			14	73	90.96			4.2	1.70	15	68	84.61			5.7	2.80	18	60	73.96	5.7	3.30	216	5.2	6.07	4.1	8.60	253	4.4	5.18	3.8	17	GRX69 GRXF69	4P	289	3.9	4.53	3.7	22			305	3.7	4.30			3.6	22	238	4.7	5.50	3.2	8.50	258	4.3	5.07	3.1	8.60	GRX59 GRXF59	4P	301	3.7	4.35	3.0	19			346	3.2	3.79			2.8	22	369	3.0	3.55			2.8	24	417	2.7	3.14			2.7	25	450	2.5	2.91			2.6	28	496	2.3	2.64			2.5	31	553	2.0	2.37			2.4	35	642	1.7	2.04	2.3	41			682	1.6	1.92	2.3	43			794	1.4	1.65	2.1	49																																															
6.2	176	137.67	10	3.40			6.6	165	128.97			10	3.70	7.5	90	113.94	10	4.10	6.6	166	199.81	10	3.60	GR69 GRF69	4P	7.1	153	184.07	10	3.90			4.5	239	186.89	7.4	1.90	4.9	221	172.17	7.4	2.00	GR59 GRF59	6P*	5.7	189	147.92	7.5	2.40			6.6	165	128.77	7.5	2.70			7.0	155	120.63			7.5	2.90	8.0	137	106.58			7.6	3.30	8.6	127	98.99			7.6	3.60	7.0	155	186.89	7.5	2.90	7.6	143	172.17	7.5	3.20	GR59 GRF59	4P	8.9	123	147.92	7.6	3.70			10.2	107	128.77	7.6	4.20			4.8	227	176.88	5.5	1.35	5.2	209	162.94	5.5	1.45	GR49 GRF49	6P*	6.1	179	139.99	5.6	1.70			7.0	156	121.87	5.7	1.95			7.4	147	176.88	5.7	2.00	8.0	135	162.94	5.7	2.20	GR49 GRF49	4P	9.4	116	139.99	5.8	2.60			11	101	121.87	5.8	3.00			11	95	114.17			5.8	3.20	13	84	100.86			5.8	3.60	14	78	93.68			5.8	3.90	6.3	167	134.82			5.0	1.15	6.9	153	123.66	5.1	1.25	GR39 GRF39	6P*	8.1	131	105.28	5.3	1.50			9.4	113	90.77	5.4	1.75			10	105	84.61			5.5	1.85	11	92	73.96	5.6	2.10	9.7	109	134.82	5.5	1.80	11	100	123.66	5.5	1.95	GR39 GRF39	4P	12	85	105.28	5.6	2.30			14	73	90.77	5.6	2.70			15	68	84.61			5.7	2.80	18	60	73.96			5.7	3.30	6.9	154	123.91			3.9	0.80	8.1	131	105.49	4.0	0.95	GR29 GRF29	6P*	9.3	113	90.96	4.1	1.10			10	105	84.78	4.1	1.20			11	92	74.11			4.2	1.40	9.7	109	135.09	4.1	1.15	11	100	123.91	4.1	1.25	GR29 GRF29	4P	12	85	105.49	4.2	1.50			14	73	90.96	4.2	1.70			15	68	84.61			5.7	2.80	18	60	73.96	5.7	3.30	216	5.2	6.07	4.1	8.60	253	4.4	5.18	3.8	17	GRX69 GRXF69	4P	289	3.9	4.53	3.7	22			305	3.7	4.30	3.6	22			238	4.7	5.50	3.2	8.50	258	4.3	5.07	3.1	8.60	GRX59 GRXF59	4P	301	3.7	4.35	3.0	19			346	3.2	3.79	2.8	22			369	3.0	3.55			2.8	24	417	2.7	3.14			2.7	25	450	2.5	2.91			2.6	28	496	2.3	2.64			2.5	31	553	2.0	2.37			2.4	35	642	1.7	2.04			2.3	41	682	1.6	1.92	2.3	43			794	1.4	1.65	2.1	49																																																						
6.6	165	128.97	10	3.70			7.5	90	113.94	10	4.10	6.6	166	199.81	10	3.60	GR69 GRF69	4P	7.1	153	184.07	10	3.90			4.5	239	186.89	7.4	1.90	4.9	221	172.17	7.4	2.00	GR59 GRF59	6P*	5.7	189	147.92	7.5	2.40			6.6	165	128.77	7.5	2.70			7.0	155	120.63	7.5	2.90			8.0	137	106.58			7.6	3.30	8.6	127	98.99			7.6	3.60	7.0	155	186.89	7.5	2.90	7.6	143	172.17	7.5	3.20	GR59 GRF59	4P	8.9	123	147.92	7.6	3.70			10.2	107	128.77	7.6	4.20			4.8	227	176.88	5.5	1.35	5.2	209	162.94	5.5	1.45	GR49 GRF49	6P*	6.1	179	139.99	5.6	1.70			7.0	156	121.87	5.7	1.95			7.4	147	176.88	5.7	2.00	8.0	135	162.94	5.7	2.20	GR49 GRF49	4P	9.4	116	139.99	5.8	2.60			11	101	121.87	5.8	3.00			11	95	114.17	5.8	3.20			13	84	100.86			5.8	3.60	14	78	93.68			5.8	3.90	6.3	167	134.82			5.0	1.15	6.9	153	123.66	5.1	1.25	GR39 GRF39	6P*	8.1	131	105.28	5.3	1.50			9.4	113	90.77	5.4	1.75			10	105	84.61	5.5	1.85			11	92	73.96	5.6	2.10	9.7	109	134.82	5.5	1.80	11	100	123.66	5.5	1.95	GR39 GRF39	4P	12	85	105.28	5.6	2.30			14	73	90.77	5.6	2.70			15	68	84.61	5.7	2.80			18	60	73.96			5.7	3.30	6.9	154	123.91			3.9	0.80	8.1	131	105.49	4.0	0.95	GR29 GRF29	6P*	9.3	113	90.96	4.1	1.10			10	105	84.78	4.1	1.20			11	92	74.11	4.2	1.40			9.7	109	135.09	4.1	1.15	11	100	123.91	4.1	1.25	GR29 GRF29	4P	12	85	105.49	4.2	1.50			14	73	90.96	4.2	1.70			15	68	84.61	5.7	2.80			18	60	73.96	5.7	3.30	216	5.2	6.07	4.1	8.60	253	4.4	5.18	3.8	17	GRX69 GRXF69	4P	289	3.9	4.53	3.7	22			305	3.7	4.30	3.6	22			238	4.7	5.50	3.2	8.50	258	4.3	5.07	3.1	8.60	GRX59 GRXF59	4P	301	3.7	4.35	3.0	19			346	3.2	3.79	2.8	22			369	3.0	3.55	2.8	24			417	2.7	3.14			2.7	25	450	2.5	2.91			2.6	28	496	2.3	2.64			2.5	31	553	2.0	2.37			2.4	35	642	1.7	2.04			2.3	41	682	1.6	1.92			2.3	43	794	1.4	1.65	2.1	49																																																													
7.5	90	113.94	10	4.10	6.6	166	199.81	10	3.60	GR69 GRF69	4P	7.1	153	184.07	10	3.90			4.5	239	186.89	7.4	1.90	4.9	221	172.17	7.4	2.00	GR59 GRF59	6P*	5.7	189	147.92	7.5	2.40			6.6	165	128.77	7.5	2.70			7.0	155	120.63	7.5	2.90			8.0	137	106.58	7.6	3.30			8.6	127	98.99			7.6	3.60	7.0	155	186.89	7.5	2.90	7.6	143	172.17	7.5	3.20	GR59 GRF59	4P	8.9	123	147.92	7.6	3.70			10.2	107	128.77	7.6	4.20			4.8	227	176.88	5.5	1.35	5.2	209	162.94	5.5	1.45	GR49 GRF49	6P*	6.1	179	139.99	5.6	1.70			7.0	156	121.87	5.7	1.95			7.4	147	176.88	5.7	2.00	8.0	135	162.94	5.7	2.20	GR49 GRF49	4P	9.4	116	139.99	5.8	2.60			11	101	121.87	5.8	3.00			11	95	114.17	5.8	3.20			13	84	100.86	5.8	3.60			14	78	93.68			5.8	3.90	6.3	167	134.82			5.0	1.15	6.9	153	123.66	5.1	1.25	GR39 GRF39	6P*	8.1	131	105.28	5.3	1.50			9.4	113	90.77	5.4	1.75			10	105	84.61	5.5	1.85			11	92	73.96	5.6	2.10	9.7	109	134.82	5.5	1.80	11	100	123.66	5.5	1.95	GR39 GRF39	4P	12	85	105.28	5.6	2.30			14	73	90.77	5.6	2.70			15	68	84.61	5.7	2.80			18	60	73.96	5.7	3.30			6.9	154	123.91			3.9	0.80	8.1	131	105.49	4.0	0.95	GR29 GRF29	6P*	9.3	113	90.96	4.1	1.10			10	105	84.78	4.1	1.20			11	92	74.11	4.2	1.40			9.7	109	135.09	4.1	1.15	11	100	123.91	4.1	1.25	GR29 GRF29	4P	12	85	105.49	4.2	1.50			14	73	90.96	4.2	1.70			15	68	84.61	5.7	2.80			18	60	73.96	5.7	3.30	216	5.2	6.07	4.1	8.60	253	4.4	5.18	3.8	17	GRX69 GRXF69	4P	289	3.9	4.53	3.7	22			305	3.7	4.30	3.6	22			238	4.7	5.50	3.2	8.50	258	4.3	5.07	3.1	8.60	GRX59 GRXF59	4P	301	3.7	4.35	3.0	19			346	3.2	3.79	2.8	22			369	3.0	3.55	2.8	24			417	2.7	3.14	2.7	25			450	2.5	2.91			2.6	28	496	2.3	2.64			2.5	31	553	2.0	2.37			2.4	35	642	1.7	2.04			2.3	41	682	1.6	1.92			2.3	43	794	1.4	1.65			2.1	49																																																																		
6.6	166	199.81	10	3.60	GR69 GRF69	4P	7.1	153	184.07			10	3.90	4.5	239	186.89	7.4	1.90	4.9	221	172.17	7.4	2.00	GR59 GRF59	6P*	5.7	189	147.92			7.5	2.40	6.6	165	128.77			7.5	2.70	7.0	155	120.63			7.5	2.90	8.0	137	106.58			7.6	3.30	8.6	127	98.99			7.6	3.60	7.0	155	186.89	7.5	2.90	7.6	143	172.17	7.5	3.20	GR59 GRF59	4P	8.9	123	147.92			7.6	3.70	10.2	107	128.77			7.6	4.20	4.8	227	176.88	5.5	1.35	5.2	209	162.94	5.5	1.45	GR49 GRF49	6P*	6.1	179	139.99			5.6	1.70	7.0	156	121.87			5.7	1.95	7.4	147	176.88	5.7	2.00	8.0	135	162.94	5.7	2.20	GR49 GRF49	4P	9.4	116	139.99			5.8	2.60	11	101	121.87			5.8	3.00	11	95	114.17			5.8	3.20	13	84	100.86			5.8	3.60	14	78	93.68			5.8	3.90	6.3			167	134.82	5.0	1.15	6.9	153	123.66	5.1	1.25	GR39 GRF39	6P*	8.1	131	105.28			5.3	1.50	9.4	113	90.77			5.4	1.75	10	105	84.61			5.5	1.85	11	92	73.96	5.6	2.10	9.7	109	134.82	5.5	1.80	11	100	123.66	5.5	1.95	GR39 GRF39	4P	12	85	105.28			5.6	2.30	14	73	90.77			5.6	2.70	15	68	84.61			5.7	2.80	18	60	73.96			5.7	3.30	6.9	154	123.91			3.9	0.80	8.1	131	105.49	4.0	0.95	GR29 GRF29	6P*	9.3	113	90.96			4.1	1.10	10	105	84.78			4.1	1.20	11	92	74.11			4.2	1.40	9.7	109	135.09	4.1	1.15	11	100	123.91	4.1	1.25	GR29 GRF29	4P	12	85	105.49			4.2	1.50	14	73	90.96			4.2	1.70	15	68	84.61			5.7	2.80	18	60	73.96	5.7	3.30	216	5.2	6.07	4.1	8.60	253	4.4	5.18	3.8	17	GRX69 GRXF69	4P	289	3.9	4.53			3.7	22	305	3.7	4.30			3.6	22	238	4.7	5.50	3.2	8.50	258	4.3	5.07	3.1	8.60	GRX59 GRXF59	4P	301	3.7	4.35			3.0	19	346	3.2	3.79			2.8	22	369	3.0	3.55			2.8	24	417	2.7	3.14			2.7	25	450	2.5	2.91			2.6	28	496			2.3	2.64	2.5	31	553			2.0	2.37	2.4	35	642			1.7	2.04	2.3	41	682			1.6	1.92	2.3	43	794			1.4	1.65	2.1	49																																																																							
7.1	153	184.07	10	3.90			4.5	239	186.89	7.4	1.90	4.9	221	172.17	7.4	2.00	GR59 GRF59	6P*	5.7	189	147.92	7.5	2.40			6.6	165	128.77			7.5	2.70	7.0	155	120.63			7.5	2.90	8.0	137	106.58			7.6	3.30	8.6	127	98.99			7.6	3.60	7.0	155	186.89	7.5	2.90	7.6	143	172.17	7.5	3.20	GR59 GRF59	4P	8.9	123	147.92	7.6	3.70			10.2	107	128.77			7.6	4.20	4.8	227	176.88	5.5	1.35	5.2	209	162.94	5.5	1.45	GR49 GRF49	6P*	6.1	179	139.99	5.6	1.70			7.0	156	121.87			5.7	1.95	7.4	147	176.88	5.7	2.00	8.0	135	162.94	5.7	2.20	GR49 GRF49	4P	9.4	116	139.99	5.8	2.60			11	101	121.87			5.8	3.00	11	95	114.17			5.8	3.20	13	84	100.86			5.8	3.60	14	78	93.68			5.8	3.90	6.3	167	134.82			5.0	1.15	6.9	153	123.66	5.1	1.25	GR39 GRF39	6P*	8.1	131	105.28	5.3	1.50			9.4	113	90.77			5.4	1.75	10	105	84.61			5.5	1.85	11	92	73.96	5.6	2.10	9.7	109	134.82	5.5	1.80	11	100	123.66	5.5	1.95	GR39 GRF39	4P	12	85	105.28	5.6	2.30			14	73	90.77			5.6	2.70	15	68	84.61			5.7	2.80	18	60	73.96			5.7	3.30	6.9	154	123.91			3.9	0.80	8.1	131	105.49	4.0	0.95	GR29 GRF29	6P*	9.3	113	90.96	4.1	1.10			10	105	84.78			4.1	1.20	11	92	74.11			4.2	1.40	9.7	109	135.09	4.1	1.15	11	100	123.91	4.1	1.25	GR29 GRF29	4P	12	85	105.49	4.2	1.50			14	73	90.96			4.2	1.70	15	68	84.61			5.7	2.80	18	60	73.96	5.7	3.30	216	5.2	6.07	4.1	8.60	253	4.4	5.18	3.8	17	GRX69 GRXF69	4P	289	3.9	4.53	3.7	22			305	3.7	4.30			3.6	22	238	4.7	5.50	3.2	8.50	258	4.3	5.07	3.1	8.60	GRX59 GRXF59	4P	301	3.7	4.35	3.0	19			346	3.2	3.79			2.8	22	369	3.0	3.55			2.8	24	417	2.7	3.14			2.7	25	450	2.5	2.91			2.6	28	496	2.3	2.64			2.5	31	553			2.0	2.37	2.4	35	642			1.7	2.04	2.3	41	682			1.6	1.92	2.3	43	794			1.4	1.65	2.1	49																																																																														
4.5	239	186.89	7.4	1.90	4.9	221	172.17	7.4	2.00	GR59 GRF59	6P*	5.7	189	147.92	7.5	2.40			6.6	165	128.77	7.5	2.70			7.0	155	120.63			7.5	2.90	8.0	137	106.58			7.6	3.30	8.6	127	98.99			7.6	3.60	7.0	155	186.89	7.5	2.90	7.6	143	172.17	7.5	3.20	GR59 GRF59	4P	8.9	123	147.92	7.6	3.70			10.2	107	128.77	7.6	4.20			4.8	227	176.88	5.5	1.35	5.2	209	162.94	5.5	1.45	GR49 GRF49	6P*	6.1	179	139.99	5.6	1.70			7.0	156	121.87	5.7	1.95			7.4	147	176.88	5.7	2.00	8.0	135	162.94	5.7	2.20	GR49 GRF49	4P	9.4	116	139.99	5.8	2.60			11	101	121.87	5.8	3.00			11	95	114.17			5.8	3.20	13	84	100.86			5.8	3.60	14	78	93.68			5.8	3.90	6.3	167	134.82			5.0	1.15	6.9	153	123.66	5.1	1.25	GR39 GRF39	6P*	8.1	131	105.28	5.3	1.50			9.4	113	90.77	5.4	1.75			10	105	84.61			5.5	1.85	11	92	73.96	5.6	2.10	9.7	109	134.82	5.5	1.80	11	100	123.66	5.5	1.95	GR39 GRF39	4P	12	85	105.28	5.6	2.30			14	73	90.77	5.6	2.70			15	68	84.61			5.7	2.80	18	60	73.96			5.7	3.30	6.9	154	123.91			3.9	0.80	8.1	131	105.49	4.0	0.95	GR29 GRF29	6P*	9.3	113	90.96	4.1	1.10			10	105	84.78	4.1	1.20			11	92	74.11			4.2	1.40	9.7	109	135.09	4.1	1.15	11	100	123.91	4.1	1.25	GR29 GRF29	4P	12	85	105.49	4.2	1.50			14	73	90.96	4.2	1.70			15	68	84.61			5.7	2.80	18	60	73.96	5.7	3.30	216	5.2	6.07	4.1	8.60	253	4.4	5.18	3.8	17	GRX69 GRXF69	4P	289	3.9	4.53	3.7	22			305	3.7	4.30	3.6	22			238	4.7	5.50	3.2	8.50	258	4.3	5.07	3.1	8.60	GRX59 GRXF59	4P	301	3.7	4.35	3.0	19			346	3.2	3.79	2.8	22			369	3.0	3.55			2.8	24	417	2.7	3.14			2.7	25	450	2.5	2.91			2.6	28	496	2.3	2.64			2.5	31	553	2.0	2.37			2.4	35	642			1.7	2.04	2.3	41	682			1.6	1.92	2.3	43	794			1.4	1.65	2.1	49																																																																																					
4.9	221	172.17	7.4	2.00	GR59 GRF59	6P*	5.7	189	147.92			7.5	2.40	6.6	165	128.77			7.5	2.70	7.0	155	120.63			7.5	2.90	8.0			137	106.58	7.6	3.30	8.6			127	98.99	7.6	3.60	7.0	155	186.89	7.5	2.90	7.6	143	172.17	7.5	3.20	GR59 GRF59	4P	8.9	123	147.92			7.6	3.70	10.2	107	128.77			7.6	4.20	4.8	227	176.88	5.5	1.35	5.2	209	162.94	5.5	1.45	GR49 GRF49	6P*	6.1	179	139.99			5.6	1.70	7.0	156	121.87			5.7	1.95	7.4	147	176.88	5.7	2.00	8.0	135	162.94	5.7	2.20	GR49 GRF49	4P	9.4	116	139.99			5.8	2.60	11	101	121.87			5.8	3.00	11	95	114.17			5.8	3.20	13			84	100.86	5.8	3.60	14			78	93.68	5.8	3.90	6.3			167	134.82	5.0	1.15	6.9	153	123.66	5.1	1.25	GR39 GRF39	6P*	8.1	131	105.28			5.3	1.50	9.4	113	90.77			5.4	1.75	10	105	84.61			5.5	1.85	11	92	73.96	5.6	2.10	9.7	109	134.82	5.5	1.80	11	100	123.66	5.5	1.95	GR39 GRF39	4P	12	85	105.28			5.6	2.30	14	73	90.77			5.6	2.70	15	68	84.61			5.7	2.80	18			60	73.96	5.7	3.30	6.9			154	123.91	3.9	0.80	8.1	131	105.49	4.0	0.95	GR29 GRF29	6P*	9.3	113	90.96			4.1	1.10	10	105	84.78			4.1	1.20	11	92	74.11			4.2	1.40	9.7	109	135.09	4.1	1.15	11	100	123.91	4.1	1.25	GR29 GRF29	4P	12	85	105.49			4.2	1.50	14	73	90.96			4.2	1.70	15	68	84.61			5.7	2.80	18	60	73.96	5.7	3.30	216	5.2	6.07	4.1	8.60	253	4.4	5.18	3.8	17	GRX69 GRXF69	4P	289	3.9	4.53			3.7	22	305	3.7	4.30			3.6	22	238	4.7	5.50	3.2	8.50	258	4.3	5.07	3.1	8.60	GRX59 GRXF59	4P	301	3.7	4.35			3.0	19	346	3.2	3.79			2.8	22	369	3.0	3.55			2.8	24	417			2.7	3.14	2.7	25	450			2.5	2.91	2.6	28	496			2.3	2.64	2.5	31	553			2.0	2.37	2.4	35	642			1.7	2.04	2.3			41	682	1.6	1.92	2.3			43	794	1.4	1.65	2.1			49																																																																																								
5.7	189	147.92	7.5	2.40			6.6	165	128.77			7.5	2.70	7.0	155	120.63			7.5	2.90	8.0	137	106.58			7.6	3.30	8.6			127	98.99	7.6	3.60	7.0	155	186.89	7.5	2.90	7.6	143	172.17	7.5	3.20	GR59 GRF59	4P	8.9	123	147.92	7.6	3.70			10.2	107	128.77			7.6	4.20	4.8	227	176.88	5.5	1.35	5.2	209	162.94	5.5	1.45	GR49 GRF49	6P*	6.1	179	139.99	5.6	1.70			7.0	156	121.87			5.7	1.95	7.4	147	176.88	5.7	2.00	8.0	135	162.94	5.7	2.20	GR49 GRF49	4P	9.4	116	139.99	5.8	2.60			11	101	121.87			5.8	3.00	11	95	114.17			5.8	3.20	13	84	100.86			5.8	3.60	14			78	93.68	5.8	3.90	6.3			167	134.82	5.0	1.15	6.9	153	123.66	5.1	1.25	GR39 GRF39	6P*	8.1	131	105.28	5.3	1.50			9.4	113	90.77			5.4	1.75	10	105	84.61			5.5	1.85	11	92	73.96	5.6	2.10	9.7	109	134.82	5.5	1.80	11	100	123.66	5.5	1.95	GR39 GRF39	4P	12	85	105.28	5.6	2.30			14	73	90.77			5.6	2.70	15	68	84.61			5.7	2.80	18	60	73.96			5.7	3.30	6.9			154	123.91	3.9	0.80	8.1	131	105.49	4.0	0.95	GR29 GRF29	6P*	9.3	113	90.96	4.1	1.10			10	105	84.78			4.1	1.20	11	92	74.11			4.2	1.40	9.7	109	135.09	4.1	1.15	11	100	123.91	4.1	1.25	GR29 GRF29	4P	12	85	105.49	4.2	1.50			14	73	90.96			4.2	1.70	15	68	84.61			5.7	2.80	18	60	73.96	5.7	3.30	216	5.2	6.07	4.1	8.60	253	4.4	5.18	3.8	17	GRX69 GRXF69	4P	289	3.9	4.53	3.7	22			305	3.7	4.30			3.6	22	238	4.7	5.50	3.2	8.50	258	4.3	5.07	3.1	8.60	GRX59 GRXF59	4P	301	3.7	4.35	3.0	19			346	3.2	3.79			2.8	22	369	3.0	3.55			2.8	24	417	2.7	3.14			2.7	25	450			2.5	2.91	2.6	28	496			2.3	2.64	2.5	31	553			2.0	2.37	2.4	35	642			1.7	2.04	2.3	41	682			1.6	1.92	2.3			43	794	1.4	1.65	2.1			49																																																																																															
6.6	165	128.77	7.5	2.70			7.0	155	120.63			7.5	2.90	8.0	137	106.58			7.6	3.30	8.6	127	98.99			7.6	3.60	7.0	155	186.89	7.5	2.90	7.6	143	172.17	7.5	3.20	GR59 GRF59	4P	8.9	123	147.92	7.6	3.70			10.2	107	128.77	7.6	4.20			4.8	227	176.88	5.5	1.35	5.2	209	162.94	5.5	1.45	GR49 GRF49	6P*	6.1	179	139.99	5.6	1.70			7.0	156	121.87	5.7	1.95			7.4	147	176.88	5.7	2.00	8.0	135	162.94	5.7	2.20	GR49 GRF49	4P	9.4	116	139.99	5.8	2.60			11	101	121.87	5.8	3.00			11	95	114.17			5.8	3.20	13	84	100.86			5.8	3.60	14	78	93.68			5.8	3.90	6.3			167	134.82	5.0	1.15	6.9	153	123.66	5.1	1.25	GR39 GRF39	6P*	8.1	131	105.28	5.3	1.50			9.4	113	90.77	5.4	1.75			10	105	84.61			5.5	1.85	11	92	73.96	5.6	2.10	9.7	109	134.82	5.5	1.80	11	100	123.66	5.5	1.95	GR39 GRF39	4P	12	85	105.28	5.6	2.30			14	73	90.77	5.6	2.70			15	68	84.61			5.7	2.80	18	60	73.96			5.7	3.30	6.9	154	123.91			3.9	0.80	8.1	131	105.49	4.0	0.95	GR29 GRF29	6P*	9.3	113	90.96	4.1	1.10			10	105	84.78	4.1	1.20			11	92	74.11			4.2	1.40	9.7	109	135.09	4.1	1.15	11	100	123.91	4.1	1.25	GR29 GRF29	4P	12	85	105.49	4.2	1.50			14	73	90.96	4.2	1.70			15	68	84.61			5.7	2.80	18	60	73.96	5.7	3.30	216	5.2	6.07	4.1	8.60	253	4.4	5.18	3.8	17	GRX69 GRXF69	4P	289	3.9	4.53	3.7	22			305	3.7	4.30	3.6	22			238	4.7	5.50	3.2	8.50	258	4.3	5.07	3.1	8.60	GRX59 GRXF59	4P	301	3.7	4.35	3.0	19			346	3.2	3.79	2.8	22			369	3.0	3.55			2.8	24	417	2.7	3.14			2.7	25	450	2.5	2.91			2.6	28	496			2.3	2.64	2.5	31	553			2.0	2.37	2.4	35	642			1.7	2.04	2.3	41	682			1.6	1.92	2.3	43	794			1.4	1.65	2.1			49																																																																																																						
7.0	155	120.63	7.5	2.90			8.0	137	106.58			7.6	3.30	8.6	127	98.99			7.6	3.60	7.0	155	186.89	7.5	2.90	7.6	143	172.17	7.5	3.20	GR59 GRF59	4P	8.9	123	147.92	7.6	3.70			10.2	107	128.77	7.6	4.20			4.8	227	176.88	5.5	1.35	5.2	209	162.94	5.5	1.45	GR49 GRF49	6P*	6.1	179	139.99	5.6	1.70			7.0	156	121.87	5.7	1.95			7.4	147	176.88	5.7	2.00	8.0	135	162.94	5.7	2.20	GR49 GRF49	4P	9.4	116	139.99	5.8	2.60			11	101	121.87	5.8	3.00			11	95	114.17	5.8	3.20			13	84	100.86			5.8	3.60	14	78	93.68			5.8	3.90	6.3	167	134.82			5.0	1.15	6.9	153	123.66	5.1	1.25	GR39 GRF39	6P*	8.1	131	105.28	5.3	1.50			9.4	113	90.77	5.4	1.75			10	105	84.61	5.5	1.85			11	92	73.96	5.6	2.10	9.7	109	134.82	5.5	1.80	11	100	123.66	5.5	1.95	GR39 GRF39	4P	12	85	105.28	5.6	2.30			14	73	90.77	5.6	2.70			15	68	84.61	5.7	2.80			18	60	73.96			5.7	3.30	6.9	154	123.91			3.9	0.80	8.1	131	105.49	4.0	0.95	GR29 GRF29	6P*	9.3	113	90.96	4.1	1.10			10	105	84.78	4.1	1.20			11	92	74.11	4.2	1.40			9.7	109	135.09	4.1	1.15	11	100	123.91	4.1	1.25	GR29 GRF29	4P	12	85	105.49	4.2	1.50			14	73	90.96	4.2	1.70			15	68	84.61	5.7	2.80			18	60	73.96	5.7	3.30	216	5.2	6.07	4.1	8.60	253	4.4	5.18	3.8	17	GRX69 GRXF69	4P	289	3.9	4.53	3.7	22			305	3.7	4.30	3.6	22			238	4.7	5.50	3.2	8.50	258	4.3	5.07	3.1	8.60	GRX59 GRXF59	4P	301	3.7	4.35	3.0	19			346	3.2	3.79	2.8	22			369	3.0	3.55	2.8	24			417	2.7	3.14			2.7	25	450	2.5	2.91			2.6	28	496	2.3	2.64			2.5	31	553			2.0	2.37	2.4	35	642			1.7	2.04	2.3	41	682			1.6	1.92	2.3	43	794			1.4	1.65	2.1	49																																																																																																															
8.0	137	106.58	7.6	3.30			8.6	127	98.99			7.6	3.60	7.0	155	186.89	7.5	2.90	7.6	143	172.17	7.5	3.20	GR59 GRF59	4P	8.9	123	147.92	7.6	3.70			10.2	107	128.77	7.6	4.20			4.8	227	176.88	5.5	1.35	5.2	209	162.94	5.5	1.45	GR49 GRF49	6P*	6.1	179	139.99	5.6	1.70			7.0	156	121.87	5.7	1.95			7.4	147	176.88	5.7	2.00	8.0	135	162.94	5.7	2.20	GR49 GRF49	4P	9.4	116	139.99	5.8	2.60			11	101	121.87	5.8	3.00			11	95	114.17	5.8	3.20			13	84	100.86	5.8	3.60			14	78	93.68			5.8	3.90	6.3	167	134.82			5.0	1.15	6.9	153	123.66	5.1	1.25	GR39 GRF39	6P*	8.1	131	105.28	5.3	1.50			9.4	113	90.77	5.4	1.75			10	105	84.61	5.5	1.85			11	92	73.96	5.6	2.10	9.7	109	134.82	5.5	1.80	11	100	123.66	5.5	1.95	GR39 GRF39	4P	12	85	105.28	5.6	2.30			14	73	90.77	5.6	2.70			15	68	84.61	5.7	2.80			18	60	73.96	5.7	3.30			6.9	154	123.91			3.9	0.80	8.1	131	105.49	4.0	0.95	GR29 GRF29	6P*	9.3	113	90.96	4.1	1.10			10	105	84.78	4.1	1.20			11	92	74.11	4.2	1.40			9.7	109	135.09	4.1	1.15	11	100	123.91	4.1	1.25	GR29 GRF29	4P	12	85	105.49	4.2	1.50			14	73	90.96	4.2	1.70			15	68	84.61	5.7	2.80			18	60	73.96	5.7	3.30	216	5.2	6.07	4.1	8.60	253	4.4	5.18	3.8	17	GRX69 GRXF69	4P	289	3.9	4.53	3.7	22			305	3.7	4.30	3.6	22			238	4.7	5.50	3.2	8.50	258	4.3	5.07	3.1	8.60	GRX59 GRXF59	4P	301	3.7	4.35	3.0	19			346	3.2	3.79	2.8	22			369	3.0	3.55	2.8	24			417	2.7	3.14	2.7	25			450	2.5	2.91			2.6	28	496	2.3	2.64			2.5	31	553	2.0	2.37			2.4	35	642			1.7	2.04	2.3	41	682			1.6	1.92	2.3	43	794			1.4	1.65	2.1	49																																																																																																																						
8.6	127	98.99	7.6	3.60			7.0	155	186.89	7.5	2.90	7.6	143	172.17	7.5	3.20	GR59 GRF59	4P	8.9	123	147.92	7.6	3.70			10.2	107	128.77	7.6	4.20			4.8	227	176.88	5.5	1.35	5.2	209	162.94	5.5	1.45	GR49 GRF49	6P*	6.1	179	139.99	5.6	1.70			7.0	156	121.87	5.7	1.95			7.4	147	176.88	5.7	2.00	8.0	135	162.94	5.7	2.20	GR49 GRF49	4P	9.4	116	139.99	5.8	2.60			11	101	121.87	5.8	3.00			11	95	114.17	5.8	3.20			13	84	100.86	5.8	3.60			14	78	93.68	5.8	3.90			6.3	167	134.82			5.0	1.15	6.9	153	123.66	5.1	1.25	GR39 GRF39	6P*	8.1	131	105.28	5.3	1.50			9.4	113	90.77	5.4	1.75			10	105	84.61	5.5	1.85			11	92	73.96	5.6	2.10	9.7	109	134.82	5.5	1.80	11	100	123.66	5.5	1.95	GR39 GRF39	4P	12	85	105.28	5.6	2.30			14	73	90.77	5.6	2.70			15	68	84.61	5.7	2.80			18	60	73.96	5.7	3.30			6.9	154	123.91	3.9	0.80			8.1	131	105.49	4.0	0.95	GR29 GRF29	6P*	9.3	113	90.96	4.1	1.10			10	105	84.78	4.1	1.20			11	92	74.11	4.2	1.40			9.7	109	135.09	4.1	1.15	11	100	123.91	4.1	1.25	GR29 GRF29	4P	12	85	105.49	4.2	1.50			14	73	90.96	4.2	1.70			15	68	84.61	5.7	2.80			18	60	73.96	5.7	3.30	216	5.2	6.07	4.1	8.60	253	4.4	5.18	3.8	17	GRX69 GRXF69	4P	289	3.9	4.53	3.7	22			305	3.7	4.30	3.6	22			238	4.7	5.50	3.2	8.50	258	4.3	5.07	3.1	8.60	GRX59 GRXF59	4P	301	3.7	4.35	3.0	19			346	3.2	3.79	2.8	22			369	3.0	3.55	2.8	24			417	2.7	3.14	2.7	25			450	2.5	2.91	2.6	28			496	2.3	2.64			2.5	31	553	2.0	2.37			2.4	35	642	1.7	2.04			2.3	41	682			1.6	1.92	2.3	43	794			1.4	1.65	2.1	49																																																																																																																													
7.0	155	186.89	7.5	2.90	7.6	143	172.17	7.5	3.20	GR59 GRF59	4P	8.9	123	147.92	7.6	3.70			10.2	107	128.77	7.6	4.20			4.8	227	176.88	5.5	1.35	5.2	209	162.94	5.5	1.45	GR49 GRF49	6P*	6.1	179	139.99	5.6	1.70			7.0	156	121.87	5.7	1.95			7.4	147	176.88	5.7	2.00	8.0	135	162.94	5.7	2.20	GR49 GRF49	4P	9.4	116	139.99	5.8	2.60			11	101	121.87	5.8	3.00			11	95	114.17	5.8	3.20			13	84	100.86	5.8	3.60			14	78	93.68	5.8	3.90			6.3	167	134.82	5.0	1.15			6.9	153	123.66	5.1	1.25	GR39 GRF39	6P*	8.1	131	105.28	5.3	1.50			9.4	113	90.77	5.4	1.75			10	105	84.61	5.5	1.85			11	92	73.96	5.6	2.10	9.7	109	134.82	5.5	1.80	11	100	123.66	5.5	1.95	GR39 GRF39	4P	12	85	105.28	5.6	2.30			14	73	90.77	5.6	2.70			15	68	84.61	5.7	2.80			18	60	73.96	5.7	3.30			6.9	154	123.91	3.9	0.80			8.1	131	105.49	4.0	0.95	GR29 GRF29	6P*	9.3	113	90.96	4.1	1.10			10	105	84.78	4.1	1.20			11	92	74.11	4.2	1.40			9.7	109	135.09	4.1	1.15	11	100	123.91	4.1	1.25	GR29 GRF29	4P	12	85	105.49	4.2	1.50			14	73	90.96	4.2	1.70			15	68	84.61	5.7	2.80			18	60	73.96	5.7	3.30	216	5.2	6.07	4.1	8.60	253	4.4	5.18	3.8	17	GRX69 GRXF69	4P	289	3.9	4.53	3.7	22			305	3.7	4.30	3.6	22			238	4.7	5.50	3.2	8.50	258	4.3	5.07	3.1	8.60	GRX59 GRXF59	4P	301	3.7	4.35	3.0	19			346	3.2	3.79	2.8	22			369	3.0	3.55	2.8	24			417	2.7	3.14	2.7	25			450	2.5	2.91	2.6	28			496	2.3	2.64	2.5	31			553	2.0	2.37			2.4	35	642	1.7	2.04			2.3	41	682	1.6	1.92			2.3	43	794			1.4	1.65	2.1	49																																																																																																																																				
7.6	143	172.17	7.5	3.20	GR59 GRF59	4P	8.9	123	147.92			7.6	3.70	10.2	107	128.77			7.6	4.20	4.8	227	176.88	5.5	1.35	5.2	209	162.94	5.5	1.45	GR49 GRF49	6P*	6.1	179	139.99			5.6	1.70	7.0	156	121.87			5.7	1.95	7.4	147	176.88	5.7	2.00	8.0	135	162.94	5.7	2.20	GR49 GRF49	4P	9.4	116	139.99			5.8	2.60	11	101	121.87			5.8	3.00	11	95	114.17			5.8	3.20	13	84	100.86			5.8	3.60	14	78	93.68			5.8	3.90	6.3	167	134.82			5.0	1.15	6.9	153	123.66	5.1	1.25	GR39 GRF39	6P*	8.1	131	105.28			5.3	1.50	9.4	113	90.77			5.4	1.75	10	105	84.61			5.5	1.85	11	92	73.96	5.6	2.10	9.7	109	134.82	5.5	1.80	11	100	123.66	5.5	1.95	GR39 GRF39	4P	12	85	105.28			5.6	2.30	14	73	90.77			5.6	2.70	15	68	84.61			5.7	2.80	18	60	73.96			5.7	3.30	6.9	154	123.91			3.9	0.80	8.1	131	105.49	4.0	0.95	GR29 GRF29	6P*	9.3	113	90.96			4.1	1.10	10	105	84.78			4.1	1.20	11	92	74.11			4.2	1.40	9.7	109	135.09	4.1	1.15	11	100	123.91	4.1	1.25	GR29 GRF29	4P	12	85	105.49			4.2	1.50	14	73	90.96			4.2	1.70	15	68	84.61			5.7	2.80	18	60	73.96	5.7	3.30	216	5.2	6.07	4.1	8.60	253	4.4	5.18	3.8	17	GRX69 GRXF69	4P	289	3.9	4.53			3.7	22	305	3.7	4.30			3.6	22	238	4.7	5.50	3.2	8.50	258	4.3	5.07	3.1	8.60	GRX59 GRXF59	4P	301	3.7	4.35			3.0	19	346	3.2	3.79			2.8	22	369	3.0	3.55			2.8	24	417	2.7	3.14			2.7	25	450	2.5	2.91			2.6	28	496	2.3	2.64			2.5	31	553	2.0	2.37			2.4	35	642			1.7	2.04	2.3	41	682			1.6	1.92	2.3	43	794			1.4	1.65	2.1			49																																																																																																																																							
8.9	123	147.92	7.6	3.70			10.2	107	128.77			7.6	4.20	4.8	227	176.88	5.5	1.35	5.2	209	162.94	5.5	1.45	GR49 GRF49	6P*	6.1	179	139.99	5.6	1.70			7.0	156	121.87			5.7	1.95	7.4	147	176.88	5.7	2.00	8.0	135	162.94	5.7	2.20	GR49 GRF49	4P	9.4	116	139.99	5.8	2.60			11	101	121.87			5.8	3.00	11	95	114.17			5.8	3.20	13	84	100.86			5.8	3.60	14	78	93.68			5.8	3.90	6.3	167	134.82			5.0	1.15	6.9	153	123.66	5.1	1.25	GR39 GRF39	6P*	8.1	131	105.28	5.3	1.50			9.4	113	90.77			5.4	1.75	10	105	84.61			5.5	1.85	11	92	73.96	5.6	2.10	9.7	109	134.82	5.5	1.80	11	100	123.66	5.5	1.95	GR39 GRF39	4P	12	85	105.28	5.6	2.30			14	73	90.77			5.6	2.70	15	68	84.61			5.7	2.80	18	60	73.96			5.7	3.30	6.9	154	123.91			3.9	0.80	8.1	131	105.49	4.0	0.95	GR29 GRF29	6P*	9.3	113	90.96	4.1	1.10			10	105	84.78			4.1	1.20	11	92	74.11			4.2	1.40	9.7	109	135.09	4.1	1.15	11	100	123.91	4.1	1.25	GR29 GRF29	4P	12	85	105.49	4.2	1.50			14	73	90.96			4.2	1.70	15	68	84.61			5.7	2.80	18	60	73.96	5.7	3.30	216	5.2	6.07	4.1	8.60	253	4.4	5.18	3.8	17	GRX69 GRXF69	4P	289	3.9	4.53	3.7	22			305	3.7	4.30			3.6	22	238	4.7	5.50	3.2	8.50	258	4.3	5.07	3.1	8.60	GRX59 GRXF59	4P	301	3.7	4.35	3.0	19			346	3.2	3.79			2.8	22	369	3.0	3.55			2.8	24	417	2.7	3.14			2.7	25	450	2.5	2.91			2.6	28	496	2.3	2.64			2.5	31	553	2.0	2.37			2.4	35	642	1.7	2.04			2.3	41	682			1.6	1.92	2.3	43	794			1.4	1.65	2.1	49																																																																																																																																																
10.2	107	128.77	7.6	4.20			4.8	227	176.88	5.5	1.35	5.2	209	162.94	5.5	1.45	GR49 GRF49	6P*	6.1	179	139.99	5.6	1.70			7.0	156	121.87	5.7	1.95			7.4	147	176.88	5.7	2.00	8.0	135	162.94	5.7	2.20	GR49 GRF49	4P	9.4	116	139.99	5.8	2.60			11	101	121.87	5.8	3.00			11	95	114.17			5.8	3.20	13	84	100.86			5.8	3.60	14	78	93.68			5.8	3.90	6.3	167	134.82			5.0	1.15	6.9	153	123.66	5.1	1.25	GR39 GRF39	6P*	8.1	131	105.28	5.3	1.50			9.4	113	90.77	5.4	1.75			10	105	84.61			5.5	1.85	11	92	73.96	5.6	2.10	9.7	109	134.82	5.5	1.80	11	100	123.66	5.5	1.95	GR39 GRF39	4P	12	85	105.28	5.6	2.30			14	73	90.77	5.6	2.70			15	68	84.61			5.7	2.80	18	60	73.96			5.7	3.30	6.9	154	123.91			3.9	0.80	8.1	131	105.49	4.0	0.95	GR29 GRF29	6P*	9.3	113	90.96	4.1	1.10			10	105	84.78	4.1	1.20			11	92	74.11			4.2	1.40	9.7	109	135.09	4.1	1.15	11	100	123.91	4.1	1.25	GR29 GRF29	4P	12	85	105.49	4.2	1.50			14	73	90.96	4.2	1.70			15	68	84.61			5.7	2.80	18	60	73.96	5.7	3.30	216	5.2	6.07	4.1	8.60	253	4.4	5.18	3.8	17	GRX69 GRXF69	4P	289	3.9	4.53	3.7	22			305	3.7	4.30	3.6	22			238	4.7	5.50	3.2	8.50	258	4.3	5.07	3.1	8.60	GRX59 GRXF59	4P	301	3.7	4.35	3.0	19			346	3.2	3.79	2.8	22			369	3.0	3.55			2.8	24	417	2.7	3.14			2.7	25	450	2.5	2.91			2.6	28	496	2.3	2.64			2.5	31	553	2.0	2.37			2.4	35	642	1.7	2.04			2.3	41	682	1.6	1.92			2.3	43	794			1.4	1.65	2.1	49																																																																																																																																																							
4.8	227	176.88	5.5	1.35	5.2	209	162.94	5.5	1.45	GR49 GRF49	6P*	6.1	179	139.99	5.6	1.70			7.0	156	121.87	5.7	1.95			7.4	147	176.88	5.7	2.00	8.0	135	162.94	5.7	2.20	GR49 GRF49	4P	9.4	116	139.99	5.8	2.60			11	101	121.87	5.8	3.00			11	95	114.17	5.8	3.20			13	84	100.86			5.8	3.60	14	78	93.68			5.8	3.90	6.3	167	134.82			5.0	1.15	6.9	153	123.66	5.1	1.25	GR39 GRF39	6P*	8.1	131	105.28	5.3	1.50			9.4	113	90.77	5.4	1.75			10	105	84.61	5.5	1.85			11	92	73.96	5.6	2.10	9.7	109	134.82	5.5	1.80	11	100	123.66	5.5	1.95	GR39 GRF39	4P	12	85	105.28	5.6	2.30			14	73	90.77	5.6	2.70			15	68	84.61	5.7	2.80			18	60	73.96			5.7	3.30	6.9	154	123.91			3.9	0.80	8.1	131	105.49	4.0	0.95	GR29 GRF29	6P*	9.3	113	90.96	4.1	1.10			10	105	84.78	4.1	1.20			11	92	74.11	4.2	1.40			9.7	109	135.09	4.1	1.15	11	100	123.91	4.1	1.25	GR29 GRF29	4P	12	85	105.49	4.2	1.50			14	73	90.96	4.2	1.70			15	68	84.61	5.7	2.80			18	60	73.96	5.7	3.30	216	5.2	6.07	4.1	8.60	253	4.4	5.18	3.8	17	GRX69 GRXF69	4P	289	3.9	4.53	3.7	22			305	3.7	4.30	3.6	22			238	4.7	5.50	3.2	8.50	258	4.3	5.07	3.1	8.60	GRX59 GRXF59	4P	301	3.7	4.35	3.0	19			346	3.2	3.79	2.8	22			369	3.0	3.55	2.8	24			417	2.7	3.14			2.7	25	450	2.5	2.91			2.6	28	496	2.3	2.64			2.5	31	553	2.0	2.37			2.4	35	642	1.7	2.04			2.3	41	682	1.6	1.92			2.3	43	794	1.4	1.65			2.1	49																																																																																																																																																														
5.2	209	162.94	5.5	1.45	GR49 GRF49	6P*	6.1	179	139.99			5.6	1.70	7.0	156	121.87			5.7	1.95	7.4	147	176.88	5.7	2.00	8.0	135	162.94	5.7	2.20	GR49 GRF49	4P	9.4	116	139.99			5.8	2.60	11	101	121.87			5.8	3.00	11	95	114.17			5.8	3.20	13	84	100.86			5.8	3.60	14			78	93.68	5.8	3.90	6.3			167	134.82	5.0	1.15	6.9	153	123.66	5.1	1.25	GR39 GRF39	6P*	8.1	131	105.28			5.3	1.50	9.4	113	90.77			5.4	1.75	10	105	84.61			5.5	1.85	11	92	73.96	5.6	2.10	9.7	109	134.82	5.5	1.80	11	100	123.66	5.5	1.95	GR39 GRF39	4P	12	85	105.28			5.6	2.30	14	73	90.77			5.6	2.70	15	68	84.61			5.7	2.80	18	60	73.96			5.7	3.30	6.9			154	123.91	3.9	0.80	8.1	131	105.49	4.0	0.95	GR29 GRF29	6P*	9.3	113	90.96			4.1	1.10	10	105	84.78			4.1	1.20	11	92	74.11			4.2	1.40	9.7	109	135.09	4.1	1.15	11	100	123.91	4.1	1.25	GR29 GRF29	4P	12	85	105.49			4.2	1.50	14	73	90.96			4.2	1.70	15	68	84.61			5.7	2.80	18	60	73.96	5.7	3.30	216	5.2	6.07	4.1	8.60	253	4.4	5.18	3.8	17	GRX69 GRXF69	4P	289	3.9	4.53			3.7	22	305	3.7	4.30			3.6	22	238	4.7	5.50	3.2	8.50	258	4.3	5.07	3.1	8.60	GRX59 GRXF59	4P	301	3.7	4.35			3.0	19	346	3.2	3.79			2.8	22	369	3.0	3.55			2.8	24	417	2.7	3.14			2.7	25	450			2.5	2.91	2.6	28	496			2.3	2.64	2.5	31	553			2.0	2.37	2.4	35	642			1.7	2.04	2.3	41	682			1.6	1.92	2.3	43	794			1.4	1.65	2.1	49																																																																																																																																																																			
6.1	179	139.99	5.6	1.70			7.0	156	121.87			5.7	1.95	7.4	147	176.88	5.7	2.00	8.0	135	162.94	5.7	2.20	GR49 GRF49	4P	9.4	116	139.99	5.8	2.60			11	101	121.87			5.8	3.00	11	95	114.17			5.8	3.20	13	84	100.86			5.8	3.60	14	78	93.68			5.8	3.90	6.3			167	134.82	5.0	1.15	6.9	153	123.66	5.1	1.25	GR39 GRF39	6P*	8.1	131	105.28	5.3	1.50			9.4	113	90.77			5.4	1.75	10	105	84.61			5.5	1.85	11	92	73.96	5.6	2.10	9.7	109	134.82	5.5	1.80	11	100	123.66	5.5	1.95	GR39 GRF39	4P	12	85	105.28	5.6	2.30			14	73	90.77			5.6	2.70	15	68	84.61			5.7	2.80	18	60	73.96			5.7	3.30	6.9	154	123.91			3.9	0.80	8.1	131	105.49	4.0	0.95	GR29 GRF29	6P*	9.3	113	90.96	4.1	1.10			10	105	84.78			4.1	1.20	11	92	74.11			4.2	1.40	9.7	109	135.09	4.1	1.15	11	100	123.91	4.1	1.25	GR29 GRF29	4P	12	85	105.49	4.2	1.50			14	73	90.96			4.2	1.70	15	68	84.61			5.7	2.80	18	60	73.96	5.7	3.30	216	5.2	6.07	4.1	8.60	253	4.4	5.18	3.8	17	GRX69 GRXF69	4P	289	3.9	4.53	3.7	22			305	3.7	4.30			3.6	22	238	4.7	5.50	3.2	8.50	258	4.3	5.07	3.1	8.60	GRX59 GRXF59	4P	301	3.7	4.35	3.0	19			346	3.2	3.79			2.8	22	369	3.0	3.55			2.8	24	417	2.7	3.14			2.7	25	450	2.5	2.91			2.6	28	496			2.3	2.64	2.5	31	553			2.0	2.37	2.4	35	642			1.7	2.04	2.3	41	682			1.6	1.92	2.3	43	794			1.4	1.65	2.1	49																																																																																																																																																																										
7.0	156	121.87	5.7	1.95			7.4	147	176.88	5.7	2.00	8.0	135	162.94	5.7	2.20	GR49 GRF49	4P	9.4	116	139.99	5.8	2.60			11	101	121.87	5.8	3.00			11	95	114.17			5.8	3.20	13	84	100.86			5.8	3.60	14	78	93.68			5.8	3.90	6.3	167	134.82			5.0	1.15	6.9	153	123.66	5.1	1.25	GR39 GRF39	6P*	8.1	131	105.28	5.3	1.50			9.4	113	90.77	5.4	1.75			10	105	84.61			5.5	1.85	11	92	73.96	5.6	2.10	9.7	109	134.82	5.5	1.80	11	100	123.66	5.5	1.95	GR39 GRF39	4P	12	85	105.28	5.6	2.30			14	73	90.77	5.6	2.70			15	68	84.61			5.7	2.80	18	60	73.96			5.7	3.30	6.9	154	123.91			3.9	0.80	8.1	131	105.49	4.0	0.95	GR29 GRF29	6P*	9.3	113	90.96	4.1	1.10			10	105	84.78	4.1	1.20			11	92	74.11			4.2	1.40	9.7	109	135.09	4.1	1.15	11	100	123.91	4.1	1.25	GR29 GRF29	4P	12	85	105.49	4.2	1.50			14	73	90.96	4.2	1.70			15	68	84.61			5.7	2.80	18	60	73.96	5.7	3.30	216	5.2	6.07	4.1	8.60	253	4.4	5.18	3.8	17	GRX69 GRXF69	4P	289	3.9	4.53	3.7	22			305	3.7	4.30	3.6	22			238	4.7	5.50	3.2	8.50	258	4.3	5.07	3.1	8.60	GRX59 GRXF59	4P	301	3.7	4.35	3.0	19			346	3.2	3.79	2.8	22			369	3.0	3.55			2.8	24	417	2.7	3.14			2.7	25	450	2.5	2.91			2.6	28	496	2.3	2.64			2.5	31	553			2.0	2.37	2.4	35	642			1.7	2.04	2.3	41	682			1.6	1.92	2.3	43	794			1.4	1.65	2.1	49																																																																																																																																																																																	
7.4	147	176.88	5.7	2.00	8.0	135	162.94	5.7	2.20	GR49 GRF49	4P	9.4	116	139.99	5.8	2.60			11	101	121.87	5.8	3.00			11	95	114.17	5.8	3.20			13	84	100.86			5.8	3.60	14	78	93.68			5.8	3.90	6.3	167	134.82			5.0	1.15	6.9	153	123.66	5.1	1.25	GR39 GRF39	6P*	8.1	131	105.28	5.3	1.50			9.4	113	90.77	5.4	1.75			10	105	84.61	5.5	1.85			11	92	73.96	5.6	2.10	9.7	109	134.82	5.5	1.80	11	100	123.66	5.5	1.95	GR39 GRF39	4P	12	85	105.28	5.6	2.30			14	73	90.77	5.6	2.70			15	68	84.61	5.7	2.80			18	60	73.96			5.7	3.30	6.9	154	123.91			3.9	0.80	8.1	131	105.49	4.0	0.95	GR29 GRF29	6P*	9.3	113	90.96	4.1	1.10			10	105	84.78	4.1	1.20			11	92	74.11	4.2	1.40			9.7	109	135.09	4.1	1.15	11	100	123.91	4.1	1.25	GR29 GRF29	4P	12	85	105.49	4.2	1.50			14	73	90.96	4.2	1.70			15	68	84.61	5.7	2.80			18	60	73.96	5.7	3.30	216	5.2	6.07	4.1	8.60	253	4.4	5.18	3.8	17	GRX69 GRXF69	4P	289	3.9	4.53	3.7	22			305	3.7	4.30	3.6	22			238	4.7	5.50	3.2	8.50	258	4.3	5.07	3.1	8.60	GRX59 GRXF59	4P	301	3.7	4.35	3.0	19			346	3.2	3.79	2.8	22			369	3.0	3.55	2.8	24			417	2.7	3.14			2.7	25	450	2.5	2.91			2.6	28	496	2.3	2.64			2.5	31	553	2.0	2.37			2.4	35	642			1.7	2.04	2.3	41	682			1.6	1.92	2.3	43	794			1.4	1.65	2.1	49																																																																																																																																																																																								
8.0	135	162.94	5.7	2.20	GR49 GRF49	4P	9.4	116	139.99			5.8	2.60	11	101	121.87			5.8	3.00	11	95	114.17			5.8	3.20	13	84	100.86			5.8	3.60	14			78	93.68	5.8	3.90	6.3			167	134.82	5.0	1.15	6.9	153	123.66	5.1	1.25	GR39 GRF39	6P*	8.1	131	105.28			5.3	1.50	9.4	113	90.77			5.4	1.75	10	105	84.61			5.5	1.85	11	92	73.96	5.6	2.10	9.7	109	134.82	5.5	1.80	11	100	123.66	5.5	1.95	GR39 GRF39	4P	12	85	105.28			5.6	2.30	14	73	90.77			5.6	2.70	15	68	84.61			5.7	2.80	18	60	73.96			5.7	3.30	6.9			154	123.91	3.9	0.80	8.1	131	105.49	4.0	0.95	GR29 GRF29	6P*	9.3	113	90.96			4.1	1.10	10	105	84.78			4.1	1.20	11	92	74.11			4.2	1.40	9.7	109	135.09	4.1	1.15	11	100	123.91	4.1	1.25	GR29 GRF29	4P	12	85	105.49			4.2	1.50	14	73	90.96			4.2	1.70	15	68	84.61			5.7	2.80	18	60	73.96	5.7	3.30	216	5.2	6.07	4.1	8.60	253	4.4	5.18	3.8	17	GRX69 GRXF69	4P	289	3.9	4.53			3.7	22	305	3.7	4.30			3.6	22	238	4.7	5.50	3.2	8.50	258	4.3	5.07	3.1	8.60	GRX59 GRXF59	4P	301	3.7	4.35			3.0	19	346	3.2	3.79			2.8	22	369	3.0	3.55			2.8	24	417	2.7	3.14			2.7	25	450			2.5	2.91	2.6	28	496			2.3	2.64	2.5	31	553			2.0	2.37	2.4	35	642			1.7	2.04	2.3			41	682	1.6	1.92	2.3			43	794	1.4	1.65	2.1			49																																																																																																																																																																																											
9.4	116	139.99	5.8	2.60			11	101	121.87			5.8	3.00	11	95	114.17			5.8	3.20	13	84	100.86			5.8	3.60	14	78	93.68			5.8	3.90	6.3			167	134.82	5.0	1.15	6.9	153	123.66	5.1	1.25	GR39 GRF39	6P*	8.1	131	105.28	5.3	1.50			9.4	113	90.77			5.4	1.75	10	105	84.61			5.5	1.85	11	92	73.96	5.6	2.10	9.7	109	134.82	5.5	1.80	11	100	123.66	5.5	1.95	GR39 GRF39	4P	12	85	105.28	5.6	2.30			14	73	90.77			5.6	2.70	15	68	84.61			5.7	2.80	18	60	73.96			5.7	3.30	6.9	154	123.91			3.9	0.80	8.1	131	105.49	4.0	0.95	GR29 GRF29	6P*	9.3	113	90.96	4.1	1.10			10	105	84.78			4.1	1.20	11	92	74.11			4.2	1.40	9.7	109	135.09	4.1	1.15	11	100	123.91	4.1	1.25	GR29 GRF29	4P	12	85	105.49	4.2	1.50			14	73	90.96			4.2	1.70	15	68	84.61			5.7	2.80	18	60	73.96	5.7	3.30	216	5.2	6.07	4.1	8.60	253	4.4	5.18	3.8	17	GRX69 GRXF69	4P	289	3.9	4.53	3.7	22			305	3.7	4.30			3.6	22	238	4.7	5.50	3.2	8.50	258	4.3	5.07	3.1	8.60	GRX59 GRXF59	4P	301	3.7	4.35	3.0	19			346	3.2	3.79			2.8	22	369	3.0	3.55			2.8	24	417	2.7	3.14			2.7	25	450	2.5	2.91			2.6	28	496			2.3	2.64	2.5	31	553			2.0	2.37	2.4	35	642			1.7	2.04	2.3	41	682			1.6	1.92	2.3			43	794	1.4	1.65	2.1			49																																																																																																																																																																																																		
11	101	121.87	5.8	3.00			11	95	114.17			5.8	3.20	13	84	100.86			5.8	3.60	14	78	93.68			5.8	3.90	6.3	167	134.82			5.0	1.15	6.9	153	123.66	5.1	1.25	GR39 GRF39	6P*	8.1	131	105.28	5.3	1.50			9.4	113	90.77	5.4	1.75			10	105	84.61			5.5	1.85	11	92	73.96	5.6	2.10	9.7	109	134.82	5.5	1.80	11	100	123.66	5.5	1.95	GR39 GRF39	4P	12	85	105.28	5.6	2.30			14	73	90.77	5.6	2.70			15	68	84.61			5.7	2.80	18	60	73.96			5.7	3.30	6.9	154	123.91			3.9	0.80	8.1	131	105.49	4.0	0.95	GR29 GRF29	6P*	9.3	113	90.96	4.1	1.10			10	105	84.78	4.1	1.20			11	92	74.11			4.2	1.40	9.7	109	135.09	4.1	1.15	11	100	123.91	4.1	1.25	GR29 GRF29	4P	12	85	105.49	4.2	1.50			14	73	90.96	4.2	1.70			15	68	84.61			5.7	2.80	18	60	73.96	5.7	3.30	216	5.2	6.07	4.1	8.60	253	4.4	5.18	3.8	17	GRX69 GRXF69	4P	289	3.9	4.53	3.7	22			305	3.7	4.30	3.6	22			238	4.7	5.50	3.2	8.50	258	4.3	5.07	3.1	8.60	GRX59 GRXF59	4P	301	3.7	4.35	3.0	19			346	3.2	3.79	2.8	22			369	3.0	3.55			2.8	24	417	2.7	3.14			2.7	25	450	2.5	2.91			2.6	28	496	2.3	2.64			2.5	31	553			2.0	2.37	2.4	35	642			1.7	2.04	2.3	41	682			1.6	1.92	2.3	43	794			1.4	1.65	2.1			49																																																																																																																																																																																																									
11	95	114.17	5.8	3.20			13	84	100.86			5.8	3.60	14	78	93.68			5.8	3.90	6.3	167	134.82			5.0	1.15	6.9	153	123.66	5.1	1.25	GR39 GRF39	6P*	8.1	131	105.28	5.3	1.50			9.4	113	90.77	5.4	1.75			10	105	84.61	5.5	1.85			11	92	73.96	5.6	2.10	9.7	109	134.82	5.5	1.80	11	100	123.66	5.5	1.95	GR39 GRF39	4P	12	85	105.28	5.6	2.30			14	73	90.77	5.6	2.70			15	68	84.61	5.7	2.80			18	60	73.96			5.7	3.30	6.9	154	123.91			3.9	0.80	8.1	131	105.49	4.0	0.95	GR29 GRF29	6P*	9.3	113	90.96	4.1	1.10			10	105	84.78	4.1	1.20			11	92	74.11	4.2	1.40			9.7	109	135.09	4.1	1.15	11	100	123.91	4.1	1.25	GR29 GRF29	4P	12	85	105.49	4.2	1.50			14	73	90.96	4.2	1.70			15	68	84.61	5.7	2.80			18	60	73.96	5.7	3.30	216	5.2	6.07	4.1	8.60	253	4.4	5.18	3.8	17	GRX69 GRXF69	4P	289	3.9	4.53	3.7	22			305	3.7	4.30	3.6	22			238	4.7	5.50	3.2	8.50	258	4.3	5.07	3.1	8.60	GRX59 GRXF59	4P	301	3.7	4.35	3.0	19			346	3.2	3.79	2.8	22			369	3.0	3.55	2.8	24			417	2.7	3.14			2.7	25	450	2.5	2.91			2.6	28	496	2.3	2.64			2.5	31	553	2.0	2.37			2.4	35	642			1.7	2.04	2.3	41	682			1.6	1.92	2.3	43	794			1.4	1.65	2.1	49																																																																																																																																																																																																																		
13	84	100.86	5.8	3.60			14	78	93.68			5.8	3.90	6.3	167	134.82			5.0	1.15	6.9	153	123.66	5.1	1.25	GR39 GRF39	6P*	8.1	131	105.28	5.3	1.50			9.4	113	90.77	5.4	1.75			10	105	84.61	5.5	1.85			11	92	73.96	5.6	2.10	9.7	109	134.82	5.5	1.80	11	100	123.66	5.5	1.95	GR39 GRF39	4P	12	85	105.28	5.6	2.30			14	73	90.77	5.6	2.70			15	68	84.61	5.7	2.80			18	60	73.96	5.7	3.30			6.9	154	123.91			3.9	0.80	8.1	131	105.49	4.0	0.95	GR29 GRF29	6P*	9.3	113	90.96	4.1	1.10			10	105	84.78	4.1	1.20			11	92	74.11	4.2	1.40			9.7	109	135.09	4.1	1.15	11	100	123.91	4.1	1.25	GR29 GRF29	4P	12	85	105.49	4.2	1.50			14	73	90.96	4.2	1.70			15	68	84.61	5.7	2.80			18	60	73.96	5.7	3.30	216	5.2	6.07	4.1	8.60	253	4.4	5.18	3.8	17	GRX69 GRXF69	4P	289	3.9	4.53	3.7	22			305	3.7	4.30	3.6	22			238	4.7	5.50	3.2	8.50	258	4.3	5.07	3.1	8.60	GRX59 GRXF59	4P	301	3.7	4.35	3.0	19			346	3.2	3.79	2.8	22			369	3.0	3.55	2.8	24			417	2.7	3.14	2.7	25			450	2.5	2.91			2.6	28	496	2.3	2.64			2.5	31	553	2.0	2.37			2.4	35	642	1.7	2.04			2.3	41	682			1.6	1.92	2.3	43	794			1.4	1.65	2.1	49																																																																																																																																																																																																																									
14	78	93.68	5.8	3.90			6.3	167	134.82			5.0	1.15	6.9	153	123.66	5.1	1.25	GR39 GRF39	6P*	8.1	131	105.28	5.3	1.50			9.4	113	90.77	5.4	1.75			10	105	84.61	5.5	1.85			11	92	73.96	5.6	2.10	9.7	109	134.82	5.5	1.80	11	100	123.66	5.5	1.95	GR39 GRF39	4P	12	85	105.28	5.6	2.30			14	73	90.77	5.6	2.70			15	68	84.61	5.7	2.80			18	60	73.96	5.7	3.30			6.9	154	123.91	3.9	0.80			8.1	131	105.49	4.0	0.95	GR29 GRF29	6P*	9.3	113	90.96	4.1	1.10			10	105	84.78	4.1	1.20			11	92	74.11	4.2	1.40			9.7	109	135.09	4.1	1.15	11	100	123.91	4.1	1.25	GR29 GRF29	4P	12	85	105.49	4.2	1.50			14	73	90.96	4.2	1.70			15	68	84.61	5.7	2.80			18	60	73.96	5.7	3.30	216	5.2	6.07	4.1	8.60	253	4.4	5.18	3.8	17	GRX69 GRXF69	4P	289	3.9	4.53	3.7	22			305	3.7	4.30	3.6	22			238	4.7	5.50	3.2	8.50	258	4.3	5.07	3.1	8.60	GRX59 GRXF59	4P	301	3.7	4.35	3.0	19			346	3.2	3.79	2.8	22			369	3.0	3.55	2.8	24			417	2.7	3.14	2.7	25			450	2.5	2.91	2.6	28			496	2.3	2.64			2.5	31	553	2.0	2.37			2.4	35	642	1.7	2.04			2.3	41	682	1.6	1.92			2.3	43	794			1.4	1.65	2.1	49																																																																																																																																																																																																																																
6.3	167	134.82	5.0	1.15			6.9	153	123.66	5.1	1.25	GR39 GRF39	6P*	8.1	131	105.28	5.3	1.50			9.4	113	90.77	5.4	1.75			10	105	84.61	5.5	1.85			11	92	73.96	5.6	2.10	9.7	109	134.82	5.5	1.80	11	100	123.66	5.5	1.95	GR39 GRF39	4P	12	85	105.28	5.6	2.30			14	73	90.77	5.6	2.70			15	68	84.61	5.7	2.80			18	60	73.96	5.7	3.30			6.9	154	123.91	3.9	0.80			8.1	131	105.49	4.0	0.95	GR29 GRF29	6P*	9.3	113	90.96	4.1	1.10			10	105	84.78	4.1	1.20			11	92	74.11	4.2	1.40			9.7	109	135.09	4.1	1.15	11	100	123.91	4.1	1.25	GR29 GRF29	4P	12	85	105.49	4.2	1.50			14	73	90.96	4.2	1.70			15	68	84.61	5.7	2.80			18	60	73.96	5.7	3.30	216	5.2	6.07	4.1	8.60	253	4.4	5.18	3.8	17	GRX69 GRXF69	4P	289	3.9	4.53	3.7	22			305	3.7	4.30	3.6	22			238	4.7	5.50	3.2	8.50	258	4.3	5.07	3.1	8.60	GRX59 GRXF59	4P	301	3.7	4.35	3.0	19			346	3.2	3.79	2.8	22			369	3.0	3.55	2.8	24			417	2.7	3.14	2.7	25			450	2.5	2.91	2.6	28			496	2.3	2.64	2.5	31			553	2.0	2.37			2.4	35	642	1.7	2.04			2.3	41	682	1.6	1.92			2.3	43	794	1.4	1.65			2.1	49																																																																																																																																																																																																																																							
6.9	153	123.66	5.1	1.25	GR39 GRF39	6P*	8.1	131	105.28	5.3	1.50			9.4	113	90.77	5.4	1.75			10	105	84.61	5.5	1.85			11	92	73.96	5.6	2.10	9.7	109	134.82	5.5	1.80	11	100	123.66	5.5	1.95	GR39 GRF39	4P	12	85	105.28	5.6	2.30			14	73	90.77	5.6	2.70			15	68	84.61	5.7	2.80			18	60	73.96	5.7	3.30			6.9	154	123.91	3.9	0.80			8.1	131	105.49	4.0	0.95	GR29 GRF29	6P*	9.3	113	90.96	4.1	1.10			10	105	84.78	4.1	1.20			11	92	74.11	4.2	1.40			9.7	109	135.09	4.1	1.15	11	100	123.91	4.1	1.25	GR29 GRF29	4P	12	85	105.49	4.2	1.50			14	73	90.96	4.2	1.70			15	68	84.61	5.7	2.80			18	60	73.96	5.7	3.30	216	5.2	6.07	4.1	8.60	253	4.4	5.18	3.8	17	GRX69 GRXF69	4P	289	3.9	4.53	3.7	22			305	3.7	4.30	3.6	22			238	4.7	5.50	3.2	8.50	258	4.3	5.07	3.1	8.60	GRX59 GRXF59	4P	301	3.7	4.35	3.0	19			346	3.2	3.79	2.8	22			369	3.0	3.55	2.8	24			417	2.7	3.14	2.7	25			450	2.5	2.91	2.6	28			496	2.3	2.64	2.5	31			553	2.0	2.37	2.4	35			642	1.7	2.04			2.3	41	682	1.6	1.92			2.3	43	794	1.4	1.65			2.1	49																																																																																																																																																																																																																																														
8.1	131	105.28	5.3	1.50			9.4	113	90.77	5.4	1.75			10	105	84.61	5.5	1.85			11	92	73.96	5.6	2.10	9.7	109	134.82	5.5	1.80	11	100	123.66	5.5	1.95	GR39 GRF39	4P	12	85	105.28	5.6	2.30			14	73	90.77	5.6	2.70			15	68	84.61	5.7	2.80			18	60	73.96	5.7	3.30			6.9	154	123.91	3.9	0.80			8.1	131	105.49	4.0	0.95	GR29 GRF29	6P*	9.3	113	90.96	4.1	1.10			10	105	84.78	4.1	1.20			11	92	74.11	4.2	1.40			9.7	109	135.09	4.1	1.15	11	100	123.91	4.1	1.25	GR29 GRF29	4P	12	85	105.49	4.2	1.50			14	73	90.96	4.2	1.70			15	68	84.61	5.7	2.80			18	60	73.96	5.7	3.30	216	5.2	6.07	4.1	8.60	253	4.4	5.18	3.8	17	GRX69 GRXF69	4P	289	3.9	4.53	3.7	22			305	3.7	4.30	3.6	22			238	4.7	5.50	3.2	8.50	258	4.3	5.07	3.1	8.60	GRX59 GRXF59	4P	301	3.7	4.35	3.0	19			346	3.2	3.79	2.8	22			369	3.0	3.55	2.8	24			417	2.7	3.14	2.7	25			450	2.5	2.91	2.6	28			496	2.3	2.64	2.5	31			553	2.0	2.37	2.4	35			642	1.7	2.04	2.3	41			682	1.6	1.92			2.3	43	794	1.4	1.65			2.1	49																																																																																																																																																																																																																																																					
9.4	113	90.77	5.4	1.75			10	105	84.61	5.5	1.85			11	92	73.96	5.6	2.10	9.7	109	134.82	5.5	1.80	11	100	123.66	5.5	1.95	GR39 GRF39	4P	12	85	105.28	5.6	2.30			14	73	90.77	5.6	2.70			15	68	84.61	5.7	2.80			18	60	73.96	5.7	3.30			6.9	154	123.91	3.9	0.80			8.1	131	105.49	4.0	0.95	GR29 GRF29	6P*	9.3	113	90.96	4.1	1.10			10	105	84.78	4.1	1.20			11	92	74.11	4.2	1.40			9.7	109	135.09	4.1	1.15	11	100	123.91	4.1	1.25	GR29 GRF29	4P	12	85	105.49	4.2	1.50			14	73	90.96	4.2	1.70			15	68	84.61	5.7	2.80			18	60	73.96	5.7	3.30	216	5.2	6.07	4.1	8.60	253	4.4	5.18	3.8	17	GRX69 GRXF69	4P	289	3.9	4.53	3.7	22			305	3.7	4.30	3.6	22			238	4.7	5.50	3.2	8.50	258	4.3	5.07	3.1	8.60	GRX59 GRXF59	4P	301	3.7	4.35	3.0	19			346	3.2	3.79	2.8	22			369	3.0	3.55	2.8	24			417	2.7	3.14	2.7	25			450	2.5	2.91	2.6	28			496	2.3	2.64	2.5	31			553	2.0	2.37	2.4	35			642	1.7	2.04	2.3	41			682	1.6	1.92	2.3	43			794	1.4	1.65			2.1	49																																																																																																																																																																																																																																																												
10	105	84.61	5.5	1.85			11	92	73.96	5.6	2.10	9.7	109	134.82	5.5	1.80	11	100	123.66	5.5	1.95	GR39 GRF39	4P	12	85	105.28	5.6	2.30			14	73	90.77	5.6	2.70			15	68	84.61	5.7	2.80			18	60	73.96	5.7	3.30			6.9	154	123.91	3.9	0.80			8.1	131	105.49	4.0	0.95	GR29 GRF29	6P*	9.3	113	90.96	4.1	1.10			10	105	84.78	4.1	1.20			11	92	74.11	4.2	1.40			9.7	109	135.09	4.1	1.15	11	100	123.91	4.1	1.25	GR29 GRF29	4P	12	85	105.49	4.2	1.50			14	73	90.96	4.2	1.70			15	68	84.61	5.7	2.80			18	60	73.96	5.7	3.30	216	5.2	6.07	4.1	8.60	253	4.4	5.18	3.8	17	GRX69 GRXF69	4P	289	3.9	4.53	3.7	22			305	3.7	4.30	3.6	22			238	4.7	5.50	3.2	8.50	258	4.3	5.07	3.1	8.60	GRX59 GRXF59	4P	301	3.7	4.35	3.0	19			346	3.2	3.79	2.8	22			369	3.0	3.55	2.8	24			417	2.7	3.14	2.7	25			450	2.5	2.91	2.6	28			496	2.3	2.64	2.5	31			553	2.0	2.37	2.4	35			642	1.7	2.04	2.3	41			682	1.6	1.92	2.3	43			794	1.4	1.65	2.1	49																																																																																																																																																																																																																																																																					
11	92	73.96	5.6	2.10	9.7	109	134.82	5.5	1.80	11	100	123.66	5.5	1.95	GR39 GRF39	4P	12	85	105.28	5.6	2.30			14	73	90.77	5.6	2.70			15	68	84.61	5.7	2.80			18	60	73.96	5.7	3.30			6.9	154	123.91	3.9	0.80			8.1	131	105.49	4.0	0.95	GR29 GRF29	6P*	9.3	113	90.96	4.1	1.10			10	105	84.78	4.1	1.20			11	92	74.11	4.2	1.40			9.7	109	135.09	4.1	1.15	11	100	123.91	4.1	1.25	GR29 GRF29	4P	12	85	105.49	4.2	1.50			14	73	90.96	4.2	1.70			15	68	84.61	5.7	2.80			18	60	73.96	5.7	3.30	216	5.2	6.07	4.1	8.60	253	4.4	5.18	3.8	17	GRX69 GRXF69	4P	289	3.9	4.53	3.7	22			305	3.7	4.30	3.6	22			238	4.7	5.50	3.2	8.50	258	4.3	5.07	3.1	8.60	GRX59 GRXF59	4P	301	3.7	4.35	3.0	19			346	3.2	3.79	2.8	22			369	3.0	3.55	2.8	24			417	2.7	3.14	2.7	25			450	2.5	2.91	2.6	28			496	2.3	2.64	2.5	31			553	2.0	2.37	2.4	35			642	1.7	2.04	2.3	41			682	1.6	1.92	2.3	43			794	1.4	1.65	2.1	49																																																																																																																																																																																																																																																																												
9.7	109	134.82	5.5	1.80	11	100	123.66	5.5	1.95	GR39 GRF39	4P	12	85	105.28			5.6	2.30	14	73	90.77			5.6	2.70	15	68	84.61			5.7	2.80	18	60	73.96			5.7	3.30	6.9	154	123.91			3.9	0.80	8.1	131	105.49	4.0	0.95	GR29 GRF29	6P*	9.3	113	90.96			4.1	1.10	10	105	84.78			4.1	1.20	11	92	74.11			4.2	1.40	9.7	109	135.09	4.1	1.15	11	100	123.91	4.1	1.25	GR29 GRF29	4P	12	85	105.49			4.2	1.50	14	73	90.96			4.2	1.70	15	68	84.61			5.7	2.80	18	60	73.96	5.7	3.30	216	5.2	6.07	4.1	8.60	253	4.4	5.18	3.8	17	GRX69 GRXF69	4P	289	3.9	4.53			3.7	22	305	3.7	4.30			3.6	22	238	4.7	5.50	3.2	8.50	258	4.3	5.07	3.1	8.60	GRX59 GRXF59	4P	301	3.7	4.35			3.0	19	346	3.2	3.79			2.8	22	369	3.0	3.55			2.8	24	417	2.7	3.14			2.7	25	450	2.5	2.91			2.6	28	496	2.3	2.64			2.5	31	553	2.0	2.37			2.4	35	642	1.7	2.04			2.3	41	682	1.6	1.92			2.3	43	794	1.4	1.65			2.1	49																																																																																																																																																																																																																																																																															
11	100	123.66	5.5	1.95	GR39 GRF39	4P	12	85	105.28			5.6	2.30	14			73	90.77	5.6	2.70	15			68	84.61	5.7	2.80	18			60	73.96	5.7	3.30	6.9			154	123.91	3.9	0.80	8.1	131	105.49	4.0	0.95	GR29 GRF29	6P*	9.3	113	90.96			4.1	1.10	10			105	84.78	4.1	1.20	11			92	74.11	4.2	1.40	9.7	109	135.09	4.1	1.15	11	100	123.91	4.1	1.25	GR29 GRF29	4P	12	85	105.49			4.2	1.50	14			73	90.96	4.2	1.70	15			68	84.61	5.7	2.80	18	60	73.96	5.7	3.30	216	5.2	6.07	4.1	8.60	253	4.4	5.18	3.8	17	GRX69 GRXF69	4P	289	3.9	4.53			3.7	22	305			3.7	4.30	3.6	22	238	4.7	5.50	3.2	8.50	258	4.3	5.07	3.1	8.60	GRX59 GRXF59	4P	301	3.7	4.35			3.0	19	346			3.2	3.79	2.8	22	369			3.0	3.55	2.8	24	417			2.7	3.14	2.7	25	450			2.5	2.91	2.6	28	496			2.3	2.64	2.5	31	553			2.0	2.37	2.4	35	642			1.7	2.04	2.3	41	682			1.6	1.92	2.3	43	794			1.4	1.65	2.1	49																																																																																																																																																																																																																																																																																				
12	85	105.28	5.6	2.30			14	73	90.77			5.6	2.70	15			68	84.61	5.7	2.80	18			60	73.96	5.7	3.30	6.9			154	123.91	3.9	0.80	8.1	131	105.49	4.0	0.95	GR29 GRF29	6P*	9.3	113	90.96	4.1	1.10			10	105	84.78			4.1	1.20	11			92	74.11	4.2	1.40	9.7	109	135.09	4.1	1.15	11	100	123.91	4.1	1.25	GR29 GRF29	4P	12	85	105.49	4.2	1.50			14	73	90.96			4.2	1.70	15			68	84.61	5.7	2.80	18	60	73.96	5.7	3.30	216	5.2	6.07	4.1	8.60	253	4.4	5.18	3.8	17	GRX69 GRXF69	4P	289	3.9	4.53	3.7	22			305	3.7	4.30			3.6	22	238	4.7	5.50	3.2	8.50	258	4.3	5.07	3.1	8.60	GRX59 GRXF59	4P	301	3.7	4.35	3.0	19			346	3.2	3.79			2.8	22	369			3.0	3.55	2.8	24	417			2.7	3.14	2.7	25	450			2.5	2.91	2.6	28	496			2.3	2.64	2.5	31	553			2.0	2.37	2.4	35	642			1.7	2.04	2.3	41	682			1.6	1.92	2.3	43	794			1.4	1.65	2.1	49																																																																																																																																																																																																																																																																																											
14	73	90.77	5.6	2.70			15	68	84.61			5.7	2.80	18			60	73.96	5.7	3.30	6.9			154	123.91	3.9	0.80	8.1	131	105.49	4.0	0.95	GR29 GRF29	6P*	9.3	113	90.96	4.1	1.10			10	105	84.78	4.1	1.20			11	92	74.11			4.2	1.40	9.7	109	135.09	4.1	1.15	11	100	123.91	4.1	1.25	GR29 GRF29	4P	12	85	105.49	4.2	1.50			14	73	90.96	4.2	1.70			15	68	84.61			5.7	2.80	18	60	73.96	5.7	3.30	216	5.2	6.07	4.1	8.60	253	4.4	5.18	3.8	17	GRX69 GRXF69	4P	289	3.9	4.53	3.7	22			305	3.7	4.30	3.6	22			238	4.7	5.50	3.2	8.50	258	4.3	5.07	3.1	8.60	GRX59 GRXF59	4P	301	3.7	4.35	3.0	19			346	3.2	3.79	2.8	22			369	3.0	3.55			2.8	24	417			2.7	3.14	2.7	25	450			2.5	2.91	2.6	28	496			2.3	2.64	2.5	31	553			2.0	2.37	2.4	35	642			1.7	2.04	2.3	41	682			1.6	1.92	2.3	43	794			1.4	1.65	2.1	49																																																																																																																																																																																																																																																																																																		
15	68	84.61	5.7	2.80			18	60	73.96			5.7	3.30	6.9			154	123.91	3.9	0.80	8.1	131	105.49	4.0	0.95	GR29 GRF29	6P*	9.3	113	90.96	4.1	1.10			10	105	84.78	4.1	1.20			11	92	74.11	4.2	1.40			9.7	109	135.09	4.1	1.15	11	100	123.91	4.1	1.25	GR29 GRF29	4P	12	85	105.49	4.2	1.50			14	73	90.96	4.2	1.70			15	68	84.61	5.7	2.80			18	60	73.96	5.7	3.30	216	5.2	6.07	4.1	8.60	253	4.4	5.18	3.8	17	GRX69 GRXF69	4P	289	3.9	4.53	3.7	22			305	3.7	4.30	3.6	22			238	4.7	5.50	3.2	8.50	258	4.3	5.07	3.1	8.60	GRX59 GRXF59	4P	301	3.7	4.35	3.0	19			346	3.2	3.79	2.8	22			369	3.0	3.55	2.8	24			417	2.7	3.14			2.7	25	450			2.5	2.91	2.6	28	496			2.3	2.64	2.5	31	553			2.0	2.37	2.4	35	642			1.7	2.04	2.3	41	682			1.6	1.92	2.3	43	794			1.4	1.65	2.1	49																																																																																																																																																																																																																																																																																																									
18	60	73.96	5.7	3.30			6.9	154	123.91			3.9	0.80	8.1	131	105.49	4.0	0.95	GR29 GRF29	6P*	9.3	113	90.96	4.1	1.10			10	105	84.78	4.1	1.20			11	92	74.11	4.2	1.40			9.7	109	135.09	4.1	1.15	11	100	123.91	4.1	1.25	GR29 GRF29	4P	12	85	105.49	4.2	1.50			14	73	90.96	4.2	1.70			15	68	84.61	5.7	2.80			18	60	73.96	5.7	3.30	216	5.2	6.07	4.1	8.60	253	4.4	5.18	3.8	17	GRX69 GRXF69	4P	289	3.9	4.53	3.7	22			305	3.7	4.30	3.6	22			238	4.7	5.50	3.2	8.50	258	4.3	5.07	3.1	8.60	GRX59 GRXF59	4P	301	3.7	4.35	3.0	19			346	3.2	3.79	2.8	22			369	3.0	3.55	2.8	24			417	2.7	3.14	2.7	25			450	2.5	2.91			2.6	28	496			2.3	2.64	2.5	31	553			2.0	2.37	2.4	35	642			1.7	2.04	2.3	41	682			1.6	1.92	2.3	43	794			1.4	1.65	2.1	49																																																																																																																																																																																																																																																																																																																
6.9	154	123.91	3.9	0.80			8.1	131	105.49	4.0	0.95	GR29 GRF29	6P*	9.3	113	90.96	4.1	1.10			10	105	84.78	4.1	1.20			11	92	74.11	4.2	1.40			9.7	109	135.09	4.1	1.15	11	100	123.91	4.1	1.25	GR29 GRF29	4P	12	85	105.49	4.2	1.50			14	73	90.96	4.2	1.70			15	68	84.61	5.7	2.80			18	60	73.96	5.7	3.30	216	5.2	6.07	4.1	8.60	253	4.4	5.18	3.8	17	GRX69 GRXF69	4P	289	3.9	4.53	3.7	22			305	3.7	4.30	3.6	22			238	4.7	5.50	3.2	8.50	258	4.3	5.07	3.1	8.60	GRX59 GRXF59	4P	301	3.7	4.35	3.0	19			346	3.2	3.79	2.8	22			369	3.0	3.55	2.8	24			417	2.7	3.14	2.7	25			450	2.5	2.91	2.6	28			496	2.3	2.64			2.5	31	553			2.0	2.37	2.4	35	642			1.7	2.04	2.3	41	682			1.6	1.92	2.3	43	794			1.4	1.65	2.1	49																																																																																																																																																																																																																																																																																																																							
8.1	131	105.49	4.0	0.95	GR29 GRF29	6P*	9.3	113	90.96	4.1	1.10			10	105	84.78	4.1	1.20			11	92	74.11	4.2	1.40			9.7	109	135.09	4.1	1.15	11	100	123.91	4.1	1.25	GR29 GRF29	4P	12	85	105.49	4.2	1.50			14	73	90.96	4.2	1.70			15	68	84.61	5.7	2.80			18	60	73.96	5.7	3.30	216	5.2	6.07	4.1	8.60	253	4.4	5.18	3.8	17	GRX69 GRXF69	4P	289	3.9	4.53	3.7	22			305	3.7	4.30	3.6	22			238	4.7	5.50	3.2	8.50	258	4.3	5.07	3.1	8.60	GRX59 GRXF59	4P	301	3.7	4.35	3.0	19			346	3.2	3.79	2.8	22			369	3.0	3.55	2.8	24			417	2.7	3.14	2.7	25			450	2.5	2.91	2.6	28			496	2.3	2.64	2.5	31			553	2.0	2.37			2.4	35	642			1.7	2.04	2.3	41	682			1.6	1.92	2.3	43	794			1.4	1.65	2.1	49																																																																																																																																																																																																																																																																																																																														
9.3	113	90.96	4.1	1.10			10	105	84.78	4.1	1.20			11	92	74.11	4.2	1.40			9.7	109	135.09	4.1	1.15	11	100	123.91	4.1	1.25	GR29 GRF29	4P	12	85	105.49	4.2	1.50			14	73	90.96	4.2	1.70			15	68	84.61	5.7	2.80			18	60	73.96	5.7	3.30	216	5.2	6.07	4.1	8.60	253	4.4	5.18	3.8	17	GRX69 GRXF69	4P	289	3.9	4.53	3.7	22			305	3.7	4.30	3.6	22			238	4.7	5.50	3.2	8.50	258	4.3	5.07	3.1	8.60	GRX59 GRXF59	4P	301	3.7	4.35	3.0	19			346	3.2	3.79	2.8	22			369	3.0	3.55	2.8	24			417	2.7	3.14	2.7	25			450	2.5	2.91	2.6	28			496	2.3	2.64	2.5	31			553	2.0	2.37	2.4	35			642	1.7	2.04			2.3	41	682			1.6	1.92	2.3	43	794			1.4	1.65	2.1	49																																																																																																																																																																																																																																																																																																																																					
10	105	84.78	4.1	1.20			11	92	74.11	4.2	1.40			9.7	109	135.09	4.1	1.15	11	100	123.91	4.1	1.25	GR29 GRF29	4P	12	85	105.49	4.2	1.50			14	73	90.96	4.2	1.70			15	68	84.61	5.7	2.80			18	60	73.96	5.7	3.30	216	5.2	6.07	4.1	8.60	253	4.4	5.18	3.8	17	GRX69 GRXF69	4P	289	3.9	4.53	3.7	22			305	3.7	4.30	3.6	22			238	4.7	5.50	3.2	8.50	258	4.3	5.07	3.1	8.60	GRX59 GRXF59	4P	301	3.7	4.35	3.0	19			346	3.2	3.79	2.8	22			369	3.0	3.55	2.8	24			417	2.7	3.14	2.7	25			450	2.5	2.91	2.6	28			496	2.3	2.64	2.5	31			553	2.0	2.37	2.4	35			642	1.7	2.04	2.3	41			682	1.6	1.92			2.3	43	794			1.4	1.65	2.1	49																																																																																																																																																																																																																																																																																																																																												
11	92	74.11	4.2	1.40			9.7	109	135.09	4.1	1.15	11	100	123.91	4.1	1.25	GR29 GRF29	4P	12	85	105.49	4.2	1.50			14	73	90.96	4.2	1.70			15	68	84.61	5.7	2.80			18	60	73.96	5.7	3.30	216	5.2	6.07	4.1	8.60	253	4.4	5.18	3.8	17	GRX69 GRXF69	4P	289	3.9	4.53	3.7	22			305	3.7	4.30	3.6	22			238	4.7	5.50	3.2	8.50	258	4.3	5.07	3.1	8.60	GRX59 GRXF59	4P	301	3.7	4.35	3.0	19			346	3.2	3.79	2.8	22			369	3.0	3.55	2.8	24			417	2.7	3.14	2.7	25			450	2.5	2.91	2.6	28			496	2.3	2.64	2.5	31			553	2.0	2.37	2.4	35			642	1.7	2.04	2.3	41			682	1.6	1.92	2.3	43			794	1.4	1.65			2.1	49																																																																																																																																																																																																																																																																																																																																																			
9.7	109	135.09	4.1	1.15	11	100	123.91	4.1	1.25	GR29 GRF29	4P	12	85	105.49	4.2	1.50			14	73	90.96	4.2	1.70			15	68	84.61	5.7	2.80			18	60	73.96	5.7	3.30	216	5.2	6.07	4.1	8.60	253	4.4	5.18	3.8	17	GRX69 GRXF69	4P	289	3.9	4.53	3.7	22			305	3.7	4.30	3.6	22			238	4.7	5.50	3.2	8.50	258	4.3	5.07	3.1	8.60	GRX59 GRXF59	4P	301	3.7	4.35	3.0	19			346	3.2	3.79	2.8	22			369	3.0	3.55	2.8	24			417	2.7	3.14	2.7	25			450	2.5	2.91	2.6	28			496	2.3	2.64	2.5	31			553	2.0	2.37	2.4	35			642	1.7	2.04	2.3	41			682	1.6	1.92	2.3	43			794	1.4	1.65	2.1	49																																																																																																																																																																																																																																																																																																																																																												
11	100	123.91	4.1	1.25	GR29 GRF29	4P	12	85	105.49			4.2	1.50	14	73	90.96			4.2	1.70	15	68	84.61			5.7	2.80	18	60	73.96	5.7	3.30	216	5.2	6.07	4.1	8.60	253	4.4	5.18	3.8	17	GRX69 GRXF69	4P	289	3.9	4.53			3.7	22	305	3.7	4.30			3.6	22	238	4.7	5.50	3.2	8.50	258	4.3	5.07	3.1	8.60	GRX59 GRXF59	4P	301	3.7	4.35			3.0	19	346	3.2	3.79			2.8	22	369	3.0	3.55			2.8	24	417	2.7	3.14			2.7	25	450	2.5	2.91			2.6	28	496	2.3	2.64			2.5	31	553	2.0	2.37			2.4	35	642	1.7	2.04			2.3	41	682	1.6	1.92			2.3	43	794	1.4	1.65			2.1	49																																																																																																																																																																																																																																																																																																																																																															
12	85	105.49	4.2	1.50			14	73	90.96			4.2	1.70	15	68	84.61			5.7	2.80	18	60	73.96	5.7	3.30	216	5.2	6.07	4.1	8.60	253	4.4	5.18	3.8	17	GRX69 GRXF69	4P	289	3.9	4.53	3.7	22			305	3.7	4.30			3.6	22	238	4.7	5.50	3.2	8.50	258	4.3	5.07	3.1	8.60	GRX59 GRXF59	4P	301	3.7	4.35	3.0	19			346	3.2	3.79			2.8	22	369	3.0	3.55			2.8	24	417	2.7	3.14			2.7	25	450	2.5	2.91			2.6	28	496	2.3	2.64			2.5	31	553	2.0	2.37			2.4	35	642	1.7	2.04			2.3	41	682	1.6	1.92			2.3	43	794	1.4	1.65			2.1	49																																																																																																																																																																																																																																																																																																																																																																						
14	73	90.96	4.2	1.70			15	68	84.61			5.7	2.80	18	60	73.96	5.7	3.30	216	5.2	6.07	4.1	8.60	253	4.4	5.18	3.8	17	GRX69 GRXF69	4P	289	3.9	4.53	3.7	22			305	3.7	4.30	3.6	22			238	4.7	5.50	3.2	8.50	258	4.3	5.07	3.1	8.60	GRX59 GRXF59	4P	301	3.7	4.35	3.0	19			346	3.2	3.79	2.8	22			369	3.0	3.55			2.8	24	417	2.7	3.14			2.7	25	450	2.5	2.91			2.6	28	496	2.3	2.64			2.5	31	553	2.0	2.37			2.4	35	642	1.7	2.04			2.3	41	682	1.6	1.92			2.3	43	794	1.4	1.65			2.1	49																																																																																																																																																																																																																																																																																																																																																																													
15	68	84.61	5.7	2.80			18	60	73.96	5.7	3.30	216	5.2	6.07	4.1	8.60	253	4.4	5.18	3.8	17	GRX69 GRXF69	4P	289	3.9	4.53	3.7	22			305	3.7	4.30	3.6	22			238	4.7	5.50	3.2	8.50	258	4.3	5.07	3.1	8.60	GRX59 GRXF59	4P	301	3.7	4.35	3.0	19			346	3.2	3.79	2.8	22			369	3.0	3.55	2.8	24			417	2.7	3.14			2.7	25	450	2.5	2.91			2.6	28	496	2.3	2.64			2.5	31	553	2.0	2.37			2.4	35	642	1.7	2.04			2.3	41	682	1.6	1.92			2.3	43	794	1.4	1.65			2.1	49																																																																																																																																																																																																																																																																																																																																																																																				
18	60	73.96	5.7	3.30	216	5.2	6.07	4.1	8.60	253	4.4	5.18	3.8	17	GRX69 GRXF69	4P	289	3.9	4.53	3.7	22			305	3.7	4.30	3.6	22			238	4.7	5.50	3.2	8.50	258	4.3	5.07	3.1	8.60	GRX59 GRXF59	4P	301	3.7	4.35	3.0	19			346	3.2	3.79	2.8	22			369	3.0	3.55	2.8	24			417	2.7	3.14	2.7	25			450	2.5	2.91			2.6	28	496	2.3	2.64			2.5	31	553	2.0	2.37			2.4	35	642	1.7	2.04			2.3	41	682	1.6	1.92			2.3	43	794	1.4	1.65			2.1	49																																																																																																																																																																																																																																																																																																																																																																																											
216	5.2	6.07	4.1	8.60	253	4.4	5.18	3.8	17	GRX69 GRXF69	4P	289	3.9	4.53			3.7	22	305	3.7	4.30			3.6	22	238	4.7	5.50	3.2	8.50	258	4.3	5.07	3.1	8.60	GRX59 GRXF59	4P	301	3.7	4.35			3.0	19	346	3.2	3.79			2.8	22	369	3.0	3.55			2.8	24	417	2.7	3.14			2.7	25	450	2.5	2.91			2.6	28	496			2.3	2.64	2.5	31	553			2.0	2.37	2.4	35	642			1.7	2.04	2.3	41	682			1.6	1.92	2.3	43	794			1.4	1.65	2.1	49																																																																																																																																																																																																																																																																																																																																																																																																
253	4.4	5.18	3.8	17	GRX69 GRXF69	4P	289	3.9	4.53			3.7	22	305			3.7	4.30	3.6	22	238	4.7	5.50	3.2	8.50	258	4.3	5.07	3.1	8.60	GRX59 GRXF59	4P	301	3.7	4.35			3.0	19	346			3.2	3.79	2.8	22	369			3.0	3.55	2.8	24	417			2.7	3.14	2.7	25	450			2.5	2.91	2.6	28	496			2.3	2.64	2.5			31	553	2.0	2.37	2.4			35	642	1.7	2.04	2.3			41	682	1.6	1.92	2.3			43	794	1.4	1.65	2.1			49																																																																																																																																																																																																																																																																																																																																																																																																			
289	3.9	4.53	3.7	22			305	3.7	4.30			3.6	22	238	4.7	5.50	3.2	8.50	258	4.3	5.07	3.1	8.60	GRX59 GRXF59	4P	301	3.7	4.35	3.0	19			346	3.2	3.79			2.8	22	369			3.0	3.55	2.8	24	417			2.7	3.14	2.7	25	450			2.5	2.91	2.6	28	496			2.3	2.64	2.5	31	553			2.0	2.37	2.4			35	642	1.7	2.04	2.3			41	682	1.6	1.92	2.3			43	794	1.4	1.65	2.1			49																																																																																																																																																																																																																																																																																																																																																																																																										
305	3.7	4.30	3.6	22			238	4.7	5.50	3.2	8.50	258	4.3	5.07	3.1	8.60	GRX59 GRXF59	4P	301	3.7	4.35	3.0	19			346	3.2	3.79	2.8	22			369	3.0	3.55			2.8	24	417			2.7	3.14	2.7	25	450			2.5	2.91	2.6	28	496			2.3	2.64	2.5	31	553			2.0	2.37	2.4	35	642			1.7	2.04	2.3			41	682	1.6	1.92	2.3			43	794	1.4	1.65	2.1			49																																																																																																																																																																																																																																																																																																																																																																																																																	
238	4.7	5.50	3.2	8.50	258	4.3	5.07	3.1	8.60	GRX59 GRXF59	4P	301	3.7	4.35	3.0	19			346	3.2	3.79	2.8	22			369	3.0	3.55	2.8	24			417	2.7	3.14			2.7	25	450			2.5	2.91	2.6	28	496			2.3	2.64	2.5	31	553			2.0	2.37	2.4	35	642			1.7	2.04	2.3	41	682			1.6	1.92	2.3			43	794	1.4	1.65	2.1			49																																																																																																																																																																																																																																																																																																																																																																																																																								
258	4.3	5.07	3.1	8.60	GRX59 GRXF59	4P	301	3.7	4.35			3.0	19	346	3.2	3.79			2.8	22	369	3.0	3.55			2.8	24	417	2.7	3.14			2.7	25	450			2.5	2.91	2.6			28	496	2.3	2.64	2.5			31	553	2.0	2.37	2.4			35	642	1.7	2.04	2.3			41	682	1.6	1.92	2.3			43	794	1.4			1.65	2.1	49																																																																																																																																																																																																																																																																																																																																																																																																																													
301	3.7	4.35	3.0	19			346	3.2	3.79			2.8	22	369	3.0	3.55			2.8	24	417	2.7	3.14			2.7	25	450	2.5	2.91			2.6	28	496			2.3	2.64	2.5			31	553	2.0	2.37	2.4			35	642	1.7	2.04	2.3			41	682	1.6	1.92	2.3			43	794	1.4	1.65	2.1			49																																																																																																																																																																																																																																																																																																																																																																																																																																				
346	3.2	3.79	2.8	22			369	3.0	3.55			2.8	24	417	2.7	3.14			2.7	25	450	2.5	2.91			2.6	28	496	2.3	2.64			2.5	31	553			2.0	2.37	2.4			35	642	1.7	2.04	2.3			41	682	1.6	1.92	2.3			43	794	1.4	1.65	2.1			49																																																																																																																																																																																																																																																																																																																																																																																																																																											
369	3.0	3.55	2.8	24			417	2.7	3.14			2.7	25	450	2.5	2.91			2.6	28	496	2.3	2.64			2.5	31	553	2.0	2.37			2.4	35	642			1.7	2.04	2.3			41	682	1.6	1.92	2.3			43	794	1.4	1.65	2.1			49																																																																																																																																																																																																																																																																																																																																																																																																																																																		
417	2.7	3.14	2.7	25			450	2.5	2.91			2.6	28	496	2.3	2.64			2.5	31	553	2.0	2.37			2.4	35	642	1.7	2.04			2.3	41	682			1.6	1.92	2.3			43	794	1.4	1.65	2.1			49																																																																																																																																																																																																																																																																																																																																																																																																																																																									
450	2.5	2.91	2.6	28			496	2.3	2.64			2.5	31	553	2.0	2.37			2.4	35	642	1.7	2.04			2.3	41	682	1.6	1.92			2.3	43	794			1.4	1.65	2.1			49																																																																																																																																																																																																																																																																																																																																																																																																																																																																
496	2.3	2.64	2.5	31			553	2.0	2.37			2.4	35	642	1.7	2.04			2.3	41	682	1.6	1.92			2.3	43	794	1.4	1.65			2.1	49																																																																																																																																																																																																																																																																																																																																																																																																																																																																									
553	2.0	2.37	2.4	35			642	1.7	2.04			2.3	41	682	1.6	1.92			2.3	43	794	1.4	1.65			2.1	49																																																																																																																																																																																																																																																																																																																																																																																																																																																																																
642	1.7	2.04	2.3	41			682	1.6	1.92			2.3	43	794	1.4	1.65			2.1	49																																																																																																																																																																																																																																																																																																																																																																																																																																																																																							
682	1.6	1.92	2.3	43			794	1.4	1.65			2.1	49																																																																																																																																																																																																																																																																																																																																																																																																																																																																																														
794	1.4	1.65	2.1	49																																																																																																																																																																																																																																																																																																																																																																																																																																																																																																							

*0.12kW (6P) 电机需特制。*0.12kW motor of 6 poles needs to be specially requested and then manufactured.

**选型参数表
(恒功率)**
**Selection Table
(Constant Power)**

n_a [r/min]	M_a [N.m]	i	F_{Ra} [kN]	f_B	机型号 Type size	极数 Pole	n_a [r/min]	M_a [N.m]	i	F_{Ra} [kN]	f_B	机型号 Type size	极数 Pole
0.18kW							0.18kW						
0.09	16669	14075	42	0.85	GR149R79 GRF149R79	4P	1.1	1360	1148	18	1.20	GR89R59	4P
0.11	14619	12344	60	0.95			1.5	1053	889	19	1.55	GRF89R59	
0.12	13196	11143	62	1.05			1.7	924	780	19	1.80		
0.13	11538	9743	64	1.20			1.5	1016	858	7.7	0.85		
0.16	9999	8443	66	1.40	GR149R79 GRF149R79	4P	1.7	896	757	9.3	1.00	GR79R39	4P
0.18	8653	7307	67	1.60			2.0	795	671	10	1.10	GRF79R39	
0.20	7635	6447	68	1.80			2.3	676	571	11	1.30		
0.24	6594	5568	69	2.10			1.6	972	821	9.0	0.90	GR79R39 GRF79R39	
0.27	5834	4926	69	2.35			1.8	866	731	10	1.00		
0.30	5122	4325	70	2.70			2.0	765	646	10	1.15		
0.35	4446	3754	70	3.15	2.3	663	560	11	1.30				
0.40	3910	3302	70	3.60	2.7	578	488	11	1.50				
0.15	10403	8784	47	0.80	3.0	516	436	12	1.70	GR69R39 GRF69R39			
0.18	8857	7479	52	0.95	3.5	442	373	12	2.00				
0.20	7768	6559	53	1.10	4.0	387	327	12	2.25				
0.22	6909	5834	54	1.20	4.5	342	289	12	2.55				
0.26	6059	5116	55	1.40	2.3	676	571	6.9	0.95		GR69R39		
0.29	5287	4464	56	1.60	2.7	576	486	7.9	1.10		GRF69R39		
0.33	4652	3928	57	1.80	GR139R79 GRF139R79	4P	2.3	680	574	6.8	0.95	GR69R39 GRF69R39	
0.28	5577	4709	55	1.50			2.6	586	495	7.8	1.10		
0.33	4758	4018	56	1.75			3.0	519	438	8.4	1.25		
0.37	4162	3514	57	2.00			3.4	459	388	8.8	1.40		
0.39	3953	3338	57	2.10			3.8	407	344	9.0	1.55		
0.45	3469	2929	57	2.40			4.5	348	294	9.3	1.85		
0.30	5252	4435	27	0.85	GR109R79 GRF109R79	4P	5.0	309	261	9.5	2.05	GR59R39 GRF59R39	
0.34	4614	3896	30	1.00			2.9	538	454	6.6	0.90		
0.43	3599	3039	33	1.25			3.2	486	410	6.8	1.00		
0.33	4640	3918	28	1.00			2.8	558	471	5.7	0.85		
0.39	3959	3343	31	1.15			3.7	423	357	7.0	1.15		
0.43	3593	3034	32	1.25			4.1	378	319	7.1	1.25		
0.49	3142	2653	33	1.45	4.8	323	273	7.3	1.45	GR59R39 GRF59R39			
0.57	2700	2280	34	1.70	5.4	285	241	7.4	1.65				
0.63	2448	2067	35	1.85	6.1	255	215	7.4	1.85				
0.66	2353	1987	35	1.95	3.6	425	359	6.9	1.10				
0.72	2164	1827	35	2.10	4.0	384	324	7.1	1.25				
0.82	1894	1599	35	2.40	4.5	343	290	7.2	1.40				
0.94	1658	1400	35	2.75	5.0	310	262	7.3	1.55	GR59R39 GRF59R39			
1.1	1452	1226	36	3.15	5.3	291	246	7.3	1.65				
0.49	3160	2668	20	1.00	6.0	261	220	7.4	1.85				
0.58	2659	2245	23	1.20	7.0	223	188	7.4	2.15				
0.65	2387	2016	24	1.35	8.2	188	159	7.5	2.55				
0.76	2052	1733	25	1.55	4.4	356	301	4.5	0.90				
0.81	1922	1623	26	1.65	5.1	302	255	5.2	1.05	GR49R39 GRF49R39			
0.91	1698	1434	26	1.85	5.7	270	228	5.4	1.20				
1.1	1429	1207	27	2.20	6.7	231	195	5.5	1.40				
1.2	1284	1084	27	2.45	6.6	236	199	4.4	0.90				
1.4	1106	934	27	2.85	7.6	204	172	4.8	1.05				
1.5	1040	878	27	3.05	8.7	178	150	5.1	1.20				
1.7	894	755	27	3.55	5.8	268	226	2.0	0.80	GR39R19 GRF39R19			
0.48	3224	2722	19	1.00	6.5	239	202	4.3	0.90				
0.57	2737	2311	23	1.15	7.3	212	179	4.7	1.00				
0.63	2461	2078	24	1.30	8.4	185	156	5.0	1.15				
0.75	2061	1740	10	0.80	9.3	167	141	3.9	0.85				
0.88	1770	1495	15	0.95	11	147	124	4.0	0.95				
0.94	1659	1401	16	1.00	12	130	110	4.1	1.05	GR29R19 GRF29R19			
1.1	1465	1237	17	1.10	14	111	94	4.1	1.25				
1.1	1362	1150	18	1.20	9.7	160	135	3.9	0.85				
1.3	1234	1042	18	1.35	11	140	118	4.0	1.00				
1.4	1107	935	19	1.50	13	123	104	4.1	1.10				
1.6	955	806	19	1.70	15	107	90	4.1	1.30				
0.75	2065	1744	11	0.80	GR89R59 GRF89R59	4P							
0.86	1812	1530	13	0.90									
1.0	1549	1308	17	1.05									

选型参数表
(恒功率)
Selection Table
(Constant Power)

n_a [r/min]	M_a [N.m]	i	F_{Ra} [kN]	f_B	机型号 Type size	极数 Pole	n_a [r/min]	M_a [N.m]	i	F_{Ra} [kN]	f_B	机型号 Type size	极数 Pole
0.18kW							0.18kW						
4.4	375	195.24	12	2.10	GR79 GRF79	6P	11	150	123.91	3.9	0.80	GR29 GRF29	4P
5.1	320	166.59	12	2.50			12	127	105.49	4.0	0.95		
5.8	280	145.67	12	2.80			14	110	90.96	4.1	1.10		
6.1	266	138.39	12	3.00			15	102	84.78	4.1	1.20		
7.0	233	121.42	12	3.40			18	89	74.11	4.2	1.35		
6.7	243	195.24	12	3.20	19	84	69.47	4.2	1.45				
7.9	208	166.59	12	3.80	21	74	61.3	4.1	1.65				
9.0	182	145.67	12	4.30	23	67	55.87	4.0	1.80				
9.5	173	138.39	12	4.60	27	58	48.17	3.8	2.10				
4.3	384	199.81	8.9	1.50	29	54	44.9	3.8	2.20				
4.6	354	184.07	9.1	1.65	33	47	39.25	3.6	2.50				
5.4	304	158.14	9.3	1.90	36	44	36.79	3.6	2.70				
6.2	264	137.67	10	2.20	40	39	32.47	3.4	3.10				
6.6	248	128.97	10	2.30	46	35	28.78	3.3	3.50				
7.5	219	113.94	10	2.70	54	30	24.47	3.1	4.10				
8.0	203	105.83	10	2.90	46	34	28.37	3.3	3.50				
8.9	184	95.91	10	3.20	50	31	26.09	3.2	3.80				
9.9	165	86.11	10	3.50	59	27	22.32	3.1	4.50				
11	142	74.17	10	4.10	68	23	19.35	2.9	5.20				
12	134	69.75	10	4.30	72	22	18.08	2.9	5.50				
6.6	249	199.81	10	2.30	84	19	15.63	2.7	6.40				
7.1	229	184.07	10	2.50	99	16	13.28	2.6	7.50				
8.3	197	158.14	10	2.90	16	99	81.64	0.04	0.80				
9.5	172	137.67	10	3.30	19	85	70.39	1.3	0.95				
10	161	128.97	10	3.60	20	79	65.61	1.7	1.00				
11	142	113.94	10	4.00	23	69	57.35	2.2	1.15				
12	132	105.83	10	4.30	24	65	53.76	2.4	1.20				
4.5	359	186.89	7.0	1.20	28	57	47.44	2.3	1.40				
4.9	331	172.17	7.1	1.30	30	53	44.18	2.3	1.50				
5.7	284	147.92	7.3	1.55	34	47	38.61	2.2	1.70				
6.6	247	128.77	7.4	1.75	36	44	36.2	2.2	1.80				
7.0	232	120.63	7.4	1.90	41	39	31.94	2.1	2.00				
7.0	233	186.89	7.4	1.85	46	34	28.32	2.1	2.30				
7.6	215	172.17	7.4	2.00	54	29	24.07	2.0	2.70				
8.9	184	147.92	7.5	2.30	34	47	25.23	2.2	1.70				
10	161	128.77	7.5	2.70	37	43	23.15	2.2	1.85				
11	150	120.63	7.5	2.90	43	37	19.71	2.1	2.20				
12	133	106.58	7.5	3.20	52	30	25.23	2.0	2.60				
13	123	98.99	7.6	3.50	57	28	23.15	2.0	2.80				
15	112	89.71	7.6	3.80	66	24	19.71	1.9	3.30				
7.4	220	176.88	5.5	1.30	77	21	16.99	1.8	3.80				
8.0	203	162.94	5.5	1.40	83	19	15.84	1.8	4.10				
9.4	175	139.99	5.6	1.65	95	17	13.84	1.7	4.70				
11	152	121.87	5.7	1.90	101	16	12.98	1.7	5.00				
11	142	114.17	5.7	2.00	114	14	11.45	1.6	5.40				
13	126	100.86	5.7	2.30	129	12	10.15	1.6	5.80				
14	117	93.68	5.8	2.50	152	10	8.63	1.5	6.40				
15	106	84.90	5.8	2.70	174	9.1	7.55	1.4	5.70				
17	95	76.23	5.8	3.00	186	8.5	7.04	1.4	6.00				
6.9	238	123.66	2.9	0.80	213	7.4	6.15	1.3	6.80				
8.1	202	105.28	4.6	0.95	227	7.0	5.76	1.3	7.10				
9.4	174	90.77	4.9	1.10	257	6.1	5.09	1.3	7.70				
10	163	84.61	5.0	1.20	290	5.4	4.51	1.2	8.10				
10	163	134.82	5.0	1.15	342	4.6	3.83	1.1	9.00				
11	149	123.66	5.1	1.25	268	5.9	10.15	1.2	12				
12	127	105.28	5.3	1.45	315	5.0	8.63	1.2	13				
14	110	90.77	5.4	1.70	360	4.4	7.55	1.1	12				
15	102	84.61	5.5	1.80	386	4.1	7.04	1.1	13				
18	89	73.96	5.5	2.10	442	3.6	6.15	1.1	14				
19	84	69.33	5.6	2.20	472	3.3	5.76	1.0	15				
21	74	61.18	5.6	2.50	534	3.0	5.09	1.0	16				
23	67	55.76	5.6	2.80	603	2.6	4.51	1.0	17				
27	58	48.08	5.7	3.20	710	2.2	3.83	0.9	19				

**选型参数表
(恒功率)**
**Selection Table
(Constant Power)**

n_a [r/min]	M_a [N.m]	i	F_{Ra} [kN]	f_B	机型号 Type size	极数 Pole	n_a [r/min]	M_a [N.m]	i	F_{Ra} [kN]	f_B	机型号 Type size	极数 Pole																																																																																																																																																																																																																																																																																																																																																																																																																																																																																																																																									
0.18kW							0.25kW																																																																																																																																																																																																																																																																																																																																																																																																																																																																																																																																															
140	12	6.07	4.7	3.60	GRX69 GRXF69	6P	0.95	2268	1400	35	2.00	GR109R79 GRF109R79	4P																																																																																																																																																																																																																																																																																																																																																																																																																																																																																																																																									
164	10	5.18	4.5	7.30			188	8.9	4.53	4.3	9.20			198	8.5	4.30	4.2	9.40	216	7.5	6.07	4.1	5.40	GRX69 GRXF69	4P	0.66	3266	2016	12	0.95	GR99R59 GRF99R59	4P	253	6.4	5.18	3.9	11	289	5.6	4.53	3.7	14	305	5.3	4.30	3.7	14	347	4.7	3.77	3.5	18	409	4.0	3.20	3.3	24	453	3.6	2.89	3.2	28	516	3.1	2.54	3.1	36	546	3.0	2.40	3.0	40	642	2.5	2.04	2.9	50	155	11	5.50	3.7	3.60	GRX59 GRXF59	6P	1.2	1863	1150	13	0.85	GR89R59 GRF89R59	4P	168	10	5.07	3.6	3.60	195	8.6	4.35	3.4	7.90	224	7.5	3.79	3.3	9.20	238	6.8	5.50	3.2	5.40	GRX59 GRXF59	4P	1.3	1688	1042	15	0.95	GR89R59 GRF89R59	4P	258	6.3	5.07	3.1	5.40	301	5.4	4.35	3.0	12	346	4.7	3.79	2.9	14	369	4.4	3.55	2.8	15	417	3.9	3.14	2.7	16	450	3.6	2.91	2.6	18	496	3.3	2.64	2.5	20	553	2.9	2.37	2.5	22	642	2.5	2.04	2.3	26	682	2.4	1.92	2.3	28	794	2.0	1.65	2.2	31	0.25kW							0.25kW							0.14	15785	9743	48	0.85	GR149R79 GRF149R79	4P	2.3	925	571	8.7	0.90	GR79R39 GRF79R39	4P	0.16	13678	8443	60	1.00	0.18	11838	7307	63	1.15	0.21	10445	6447	65	1.30	0.24	9021	5568	66	1.55	0.27	7981	4926	67	1.70	0.31	7007	4325	68	1.95	0.35	6082	3754	69	2.25	0.40	5350	3302	69	2.60	0.46	4695	2898	70	2.90	0.23	9452	5834	48	0.90	GR139R79 GRF139R79	4P	2.4	907	560	8.6	0.95	GR69R39 GRF69R39	4P	0.26	8288	5116	51	1.00	0.30	7232	4464	53	1.15	0.34	6364	3928	54	1.30	0.28	7629	4709	51	1.05	0.33	6510	4018	53	1.25	GR139R79 GRF139R79	4P	2.7	791	488	10	1.05	GR69R39 GRF69R39	4P	0.38	5693	3514	55	1.45	0.40	5408	3338	55	1.50	0.45	4745	2929	56	1.75	0.50	4306	2658	56	1.95	0.55	3908	2412	57	2.15	0.64	3358	2073	57	2.50	GR139R79 GRF139R79	4P	3.1	706	436	10	1.20	GR59R39 GRF59R39	4P	0.72	2979	1839	57	2.80	0.95	2263	1397	58	3.65	1.1	1986	1226	58	4.20	0.44	4923	3039	26	0.90	GR109R79 GRF109R79	4P	4.2	517	319	6.3	0.90	GR59R39 GRF59R39	4P	0.67	3219	1987	33	1.40	0.73	2960	1827	34	1.50	0.83	2591	1599	34	1.75	4.9	442	273	6.8	1.05	GR59R39 GRF59R39	4P	5.5	390	241	7.0	1.20	6.2	348	215	7.2	1.35	7.1	303	187	7.3	1.55	8.1	266	164	7.4	1.75	9.4	230	142	7.4	2.05	4.1	525	324	5.3	0.90	GR59R39 GRF59R39	4P	4.6	470	290	6.7	1.00	5.1	424	262	6.8	1.10																																																																																																										
188	8.9	4.53	4.3	9.20			198	8.5	4.30	4.2	9.40			216	7.5	6.07	4.1	5.40	GRX69 GRXF69	4P	0.66	3266	2016			12	0.95	GR99R59 GRF99R59	4P	253			6.4	5.18	3.9	11	289	5.6	4.53	3.7	14	305	5.3	4.30	3.7	14	347	4.7	3.77	3.5	18	409	4.0	3.20	3.3	24	453	3.6	2.89	3.2	28	516	3.1	2.54	3.1	36	546	3.0	2.40	3.0	40	642	2.5	2.04	2.9	50	155	11	5.50	3.7	3.60	GRX59 GRXF59			6P	1.2	1863	1150	13			0.85	GR89R59 GRF89R59	4P	168	10	5.07	3.6	3.60	195	8.6	4.35	3.4	7.90	224	7.5	3.79	3.3	9.20	238	6.8			5.50	3.2	5.40	GRX59 GRXF59	4P			1.3	1688	1042	15	0.95	GR89R59 GRF89R59	4P	258	6.3	5.07	3.1	5.40	301	5.4	4.35	3.0	12	346	4.7	3.79	2.9	14	369	4.4	3.55	2.8	15	417	3.9	3.14	2.7	16	450	3.6	2.91	2.6	18	496	3.3	2.64	2.5	20	553	2.9	2.37	2.5	22	642	2.5	2.04	2.3	26	682	2.4	1.92	2.3	28	794	2.0	1.65	2.2	31	0.25kW							0.25kW							0.14	15785	9743	48	0.85			GR149R79 GRF149R79	4P	2.3	925	571	8.7	0.90	GR79R39 GRF79R39	4P	0.16	13678	8443	60	1.00	0.18	11838	7307	63	1.15	0.21	10445	6447	65	1.30	0.24	9021	5568	66	1.55	0.27	7981	4926	67	1.70	0.31	7007	4325	68	1.95	0.35	6082	3754	69	2.25	0.40	5350	3302	69	2.60	0.46			4695	2898	70	2.90	0.23			9452	5834	48	0.90	GR139R79 GRF139R79	4P	2.4	907	560	8.6	0.95	GR69R39 GRF69R39	4P	0.26	8288	5116	51	1.00	0.30	7232	4464	53	1.15	0.34	6364			3928	54	1.30	0.28	7629			4709	51	1.05	0.33	6510	4018	53	1.25	GR139R79 GRF139R79	4P	2.7	791	488	10	1.05	GR69R39 GRF69R39	4P	0.38	5693	3514	55	1.45	0.40	5408	3338	55	1.50	0.45	4745	2929			56	1.75	0.50	4306	2658			56	1.95	0.55	3908	2412	57	2.15	0.64	3358	2073	57	2.50	GR139R79 GRF139R79	4P	3.1	706	436	10	1.20	GR59R39 GRF59R39			4P	0.72	2979	1839	57			2.80	0.95	2263	1397	58	3.65	1.1	1986	1226	58	4.20	0.44	4923	3039	26	0.90	GR109R79 GRF109R79	4P	4.2	517			319	6.3	0.90	GR59R39 GRF59R39	4P	0.67	3219	1987	33	1.40	0.73	2960	1827	34	1.50	0.83	2591	1599	34	1.75	4.9	442	273	6.8	1.05	GR59R39 GRF59R39	4P	5.5	390	241			7.0	1.20	6.2	348	215	7.2	1.35	7.1	303	187	7.3	1.55	8.1	266	164	7.4	1.75	9.4	230	142	7.4	2.05	4.1	525	324	5.3	0.90	GR59R39 GRF59R39	4P	4.6	470	290	6.7	1.00	5.1	424	262	6.8	1.10																																																																													
198	8.5	4.30	4.2	9.40																																																																																																																																																																																																																																																																																																																																																																																																																																																																																																																																																		
216	7.5	6.07	4.1	5.40	GRX69 GRXF69	4P	0.66	3266	2016	12	0.95	GR99R59 GRF99R59	4P																																																																																																																																																																																																																																																																																																																																																																																																																																																																																																																																									
253	6.4	5.18	3.9	11			289	5.6	4.53	3.7	14			305	5.3	4.30	3.7	14			347	4.7	3.77			3.5	18			409			4.0	3.20	3.3	24	453	3.6	2.89	3.2	28	516	3.1	2.54	3.1	36	546	3.0	2.40	3.0	40	642	2.5	2.04	2.9	50	155	11	5.50	3.7	3.60	GRX59 GRXF59	6P	1.2	1863	1150	13	0.85	GR89R59 GRF89R59	4P	168	10	5.07	3.6	3.60	195	8.6	4.35	3.4	7.90	224		7.5	3.79		3.3	9.20	238	6.8	5.50	3.2	5.40			GRX59 GRXF59	4P	1.3	1688	1042	15	0.95	GR89R59 GRF89R59	4P	258	6.3	5.07	3.1	5.40	301	5.4	4.35			3.0	12	346					4.7	3.79	2.9	14	369			4.4	3.55	2.8	15	417	3.9	3.14	2.7	16	450	3.6	2.91	2.6	18	496	3.3	2.64	2.5	20	553	2.9	2.37	2.5	22	642	2.5	2.04	2.3	26	682	2.4	1.92	2.3	28	794	2.0	1.65	2.2	31	0.25kW							0.25kW							0.14	15785	9743	48	0.85	GR149R79 GRF149R79	4P	2.3	925	571	8.7	0.90	GR79R39 GRF79R39	4P			0.16	13678	8443	60	1.00					0.18	11838	7307	63	1.15			0.21	10445	6447	65	1.30	0.24	9021	5568	66	1.55	0.27	7981	4926	67	1.70	0.31	7007	4325	68	1.95	0.35	6082	3754	69	2.25	0.40	5350	3302	69	2.60	0.46	4695	2898	70	2.90	0.23	9452	5834	48	0.90	GR139R79 GRF139R79			4P	2.4	907	560	8.6			0.95	GR69R39 GRF69R39	4P	0.26			8288	5116	51	1.00	0.30			7232	4464	53	1.15	0.34	6364	3928	54	1.30	0.28	7629	4709			51	1.05	0.33	6510	4018			53	1.25	GR139R79 GRF139R79	4P	2.7	791	488	10			1.05	GR69R39 GRF69R39	4P	0.38	5693			3514	55	1.45	0.40	5408	3338	55	1.50	0.45	4745	2929	56	1.75			0.50	4306	2658	56	1.95			0.55	3908	2412	57	2.15	0.64	3358	2073	57	2.50	GR139R79 GRF139R79	4P			3.1	706	436	10	1.20					GR59R39 GRF59R39	4P	0.72	2979			1839	57	2.80	0.95	2263	1397	58	3.65	1.1	1986	1226	58	4.20	0.44	4923	3039			26	0.90			GR109R79 GRF109R79	4P	4.2			517	319	6.3	0.90	GR59R39 GRF59R39	4P	0.67	3219	1987	33	1.40	0.73	2960	1827	34	1.50	0.83	2591	1599	34			1.75	4.9	442	273	6.8	1.05	GR59R39 GRF59R39	4P	5.5	390	241	7.0	1.20	6.2	348	215	7.2	1.35	7.1	303	187	7.3	1.55	8.1	266	164	7.4	1.75	9.4	230	142	7.4	2.05	4.1	525	324	5.3	0.90	GR59R39 GRF59R39	4P	4.6	470	290	6.7	1.00	5.1	424	262	6.8	1.10																																																																							
289	5.6	4.53	3.7	14			305	5.3	4.30	3.7	14			347	4.7	3.77	3.5	18			409	4.0	3.20			3.3	24			453			3.6	2.89	3.2	28	516	3.1	2.54	3.1	36	546	3.0	2.40	3.0	40	642	2.5	2.04	2.9	50	155	11	5.50	3.7	3.60	GRX59 GRXF59	6P	1.2	1863	1150			13	0.85	GR89R59 GRF89R59	4P	168			10	5.07	3.6	3.60	195	8.6	4.35	3.4	7.90	224	7.5	3.79	3.3	9.20	238	6.8	5.50	3.2	5.40	GRX59 GRXF59	4P	1.3	1688	1042			15	0.95	GR89R59 GRF89R59	4P	258			6.3	5.07	3.1	5.40	301	5.4	4.35	3.0			12	346	4.7					3.79	2.9	14	369	4.4			3.55	2.8	15	417	3.9	3.14	2.7	16	450	3.6	2.91	2.6	18	496	3.3	2.64	2.5	20	553	2.9	2.37	2.5	22	642	2.5	2.04	2.3	26	682	2.4	1.92	2.3	28	794	2.0	1.65	2.2	31	0.25kW							0.25kW							0.14	15785	9743	48	0.85	GR149R79 GRF149R79			4P	2.3	925	571	8.7					0.90	GR79R39 GRF79R39	4P	0.16	13678					8443	60	1.00	0.18	11838			7307	63	1.15	0.21	10445	6447	65	1.30	0.24	9021	5568	66	1.55	0.27	7981	4926	67	1.70	0.31	7007	4325	68	1.95	0.35	6082	3754	69	2.25	0.40	5350	3302	69	2.60	0.46	4695	2898	70	2.90	0.23	9452		5834	48		0.90	GR139R79 GRF139R79	4P	2.4	907	560	8.6			0.95			GR69R39 GRF69R39	4P	0.26	8288	5116			51	1.00	0.30	7232	4464	53	1.15	0.34	6364	3928	54	1.30			0.28	7629	4709	51	1.05			0.33	6510			4018	53	1.25	GR139R79 GRF139R79			4P			2.7	791			488	10	1.05	GR69R39 GRF69R39	4P	0.38	5693	3514	55	1.45	0.40	5408	3338			55	1.50	0.45	4745	2929			56	1.75	0.50	4306	2658	56	1.95	0.55	3908	2412					57	2.15	0.64	3358	2073							57	2.50			GR139R79 GRF139R79	4P	3.1	706	436	10	1.20	GR59R39 GRF59R39	4P	0.72	2979	1839	57	2.80	0.95	2263			1397	58					3.65			1.1	1986	1226	58			4.20	0.44	4923	3039	26	0.90	GR109R79 GRF109R79	4P	4.2	517	319	6.3	0.90	GR59R39 GRF59R39			4P	0.67	3219	1987	33	1.40			0.73	2960	1827	34	1.50	0.83	2591	1599	34	1.75	4.9	442	273	6.8	1.05	GR59R39 GRF59R39	4P	5.5	390	241	7.0	1.20	6.2	348	215	7.2	1.35	7.1	303	187			7.3	1.55	8.1	266	164	7.4	1.75	9.4	230	142	7.4	2.05	4.1	525	324	5.3	0.90	GR59R39 GRF59R39	4P	4.6	470	290	6.7	1.00	5.1	424	262	6.8	1.10																																																				
305	5.3	4.30	3.7	14			347	4.7	3.77	3.5	18			409	4.0	3.20	3.3	24			453	3.6	2.89			3.2	28			516			3.1	2.54	3.1	36	546	3.0	2.40	3.0	40	642	2.5	2.04	2.9	50	155	11	5.50	3.7	3.60	GRX59 GRXF59	6P	1.2	1863	1150			13	0.85	GR89R59 GRF89R59			4P	168			10			5.07	3.6	3.60	195	8.6	4.35	3.4	7.90	224	7.5	3.79	3.3	9.20	238	6.8	5.50	3.2	5.40	GRX59 GRXF59			4P	1.3	1688			1042	15			0.95			GR89R59 GRF89R59	4P	258	6.3	5.07	3.1	5.40	301			5.4	4.35	3.0					12	346	4.7	3.79	2.9			14	369	4.4	3.55	2.8	15	417	3.9	3.14	2.7	16	450	3.6	2.91	2.6	18	496	3.3	2.64	2.5	20	553	2.9	2.37	2.5	22	642	2.5	2.04	2.3	26	682	2.4	1.92	2.3	28	794	2.0	1.65	2.2	31	0.25kW							0.25kW							0.14	15785					9743	48	0.85	GR149R79 GRF149R79					4P			2.3	925					571	8.7	0.90	GR79R39 GRF79R39	4P			0.16	13678	8443	60	1.00	0.18	11838	7307	63	1.15	0.21	10445	6447	65	1.30	0.24	9021	5568	66	1.55	0.27	7981	4926	67	1.70	0.31	7007	4325	68	1.95	0.35	6082	3754	69	2.25	0.40	5350	3302	69	2.60		0.46	4695		2898			70	2.90	0.23	9452			5834	48	0.90			GR139R79 GRF139R79	4P	2.4	907	560	8.6	0.95	GR69R39 GRF69R39	4P	0.26	8288	5116	51	1.00	0.30	7232	4464	53	1.15	0.34	6364	3928	54	1.30	0.28	7629	4709	51			1.05	0.33	6510							4018	53			1.25	GR139R79 GRF139R79	4P			2.7	791	488	10	1.05	GR69R39 GRF69R39	4P	0.38			5693	3514	55	1.45	0.40			5408	3338	55	1.50	0.45	4745	2929	56	1.75	0.50					4306	2658	56	1.95	0.55							3908	2412					57	2.15	0.64	3358	2073			57	2.50	GR139R79 GRF139R79	4P	3.1	706	436			10	1.20					GR59R39 GRF59R39			4P	0.72	2979	1839			57	2.80	0.95	2263	1397	58			3.65	1.1	1986	1226	58					4.20	0.44	4923	3039	26			0.90	GR109R79 GRF109R79	4P	4.2	517	319	6.3	0.90	GR59R39 GRF59R39	4P	0.67	3219	1987	33	1.40			0.73	2960	1827	34	1.50	0.83	2591	1599	34	1.75	4.9	442	273			6.8	1.05	GR59R39 GRF59R39	4P	5.5	390	241	7.0	1.20	6.2	348	215	7.2	1.35	7.1	303	187			7.3	1.55	8.1	266	164	7.4	1.75	9.4	230	142	7.4	2.05	4.1	525	324	5.3	0.90	GR59R39 GRF59R39	4P	4.6	470	290	6.7	1.00	5.1	424	262	6.8	1.10																																	
347	4.7	3.77	3.5	18			409	4.0	3.20	3.3	24			453	3.6	2.89	3.2	28			516	3.1	2.54			3.1	36			546			3.0	2.40	3.0	40	642	2.5	2.04	2.9	50	155	11	5.50	3.7	3.60	GRX59 GRXF59	6P	1.2	1863	1150			13	0.85	GR89R59 GRF89R59			4P	168					10			5.07			3.6	3.60	195	8.6	4.35	3.4	7.90	224	7.5	3.79	3.3	9.20	238	6.8	5.50	3.2	5.40	GRX59 GRXF59					4P	1.3			1688	1042			15					0.95	GR89R59 GRF89R59	4P	258	6.3	5.07			3.1	5.40	301					5.4	4.35	3.0	12	346			4.7	3.79	2.9	14	369	4.4	3.55	2.8	15	417	3.9	3.14	2.7	16	450	3.6	2.91	2.6	18	496	3.3	2.64	2.5	20	553	2.9	2.37	2.5	22	642	2.5	2.04	2.3	26	682	2.4	1.92	2.3	28	794	2.0	1.65	2.2	31	0.25kW							0.25kW										0.14	15785	9743									48	0.85					GR149R79 GRF149R79	4P	2.3					925	571	8.7	0.90	GR79R39 GRF79R39	4P	0.16	13678	8443	60	1.00	0.18	11838	7307	63	1.15	0.21	10445	6447	65	1.30	0.24	9021	5568	66	1.55	0.27	7981	4926	67	1.70	0.31	7007	4325	68	1.95	0.35	6082	3754	69		2.25	0.40		5350			3302	69	2.60	0.46			4695	2898	70					2.90	0.23	9452	5834	48			0.90	GR139R79 GRF139R79	4P	2.4	907	560	8.6	0.95	GR69R39 GRF69R39	4P	0.26	8288	5116	51	1.00	0.30	7232	4464	53			1.15	0.34	6364		3928	54				1.30	0.28	7629	4709	51					1.05	0.33	6510	4018	53			1.25			GR139R79 GRF139R79	4P	2.7	791	488			10	1.05	GR69R39 GRF69R39	4P	0.38	5693	3514	55	1.45	0.40					5408	3338	55	1.50	0.45							4745	2929					56	1.75	0.50	4306	2658			56	1.95			0.55	3908	2412			57	2.15									0.64	3358	2073			57	2.50	GR139R79 GRF139R79	4P	3.1	706			436	10	1.20	GR59R39 GRF59R39	4P					0.72	2979	1839	57	2.80			0.95			2263	1397	58	3.65	1.1			1986	1226	58	4.20	0.44			4923	3039	26	0.90	GR109R79 GRF109R79	4P	4.2	517	319	6.3	0.90	GR59R39 GRF59R39	4P	0.67	3219	1987	33			1.40	0.73	2960	1827	34	1.50	0.83	2591	1599	34	1.75	4.9	442			273	6.8	1.05	GR59R39 GRF59R39	4P	5.5	390	241	7.0	1.20	6.2	348	215	7.2	1.35	7.1	303			187	7.3	1.55	8.1	266	164	7.4	1.75	9.4	230	142	7.4	2.05	4.1	525	324	5.3	0.90	GR59R39 GRF59R39	4P	4.6	470	290	6.7	1.00	5.1	424	262	6.8	1.10													
409	4.0	3.20	3.3	24			453	3.6	2.89	3.2	28			516	3.1	2.54	3.1	36			546	3.0	2.40			3.0	40			642			2.5	2.04	2.9	50	155	11	5.50	3.7	3.60	GRX59 GRXF59	6P	1.2	1863	1150			13	0.85	GR89R59 GRF89R59			4P	168					10		5.07	3.6		3.60			195	8.6	4.35	3.4	7.90	224	7.5	3.79	3.3	9.20	238	6.8	5.50	3.2	5.40	GRX59 GRXF59	4P	1.3	1688	1042							15			0.95	GR89R59 GRF89R59			4P					258			6.3	5.07	3.1			5.40	301	5.4					4.35	3.0	12	346	4.7			3.79	2.9	14	369	4.4	3.55	2.8	15	417	3.9	3.14	2.7	16	450	3.6	2.91	2.6	18	496	3.3	2.64	2.5	20	553	2.9	2.37	2.5	22	642	2.5	2.04	2.3	26	682	2.4	1.92	2.3	28	794	2.0	1.65	2.2	31	0.25kW							0.25kW											0.14	15785	9743									48	0.85							GR149R79 GRF149R79					4P	2.3	925	571			8.7	0.90	GR79R39 GRF79R39	4P	0.16	13678	8443	60	1.00	0.18	11838	7307	63	1.15	0.21	10445	6447	65	1.30	0.24	9021	5568	66	1.55	0.27	7981	4926	67	1.70	0.31	7007	4325	68	1.95		0.35	6082		3754			69	2.25	0.40	5350			3302	69	2.60					0.46	4695	2898	70	2.90			0.23			9452	5834	48	0.90	GR139R79 GRF139R79			4P	2.4	907	560	8.6	0.95	GR69R39 GRF69R39	4P	0.26			8288	5116	51		1.00	0.30				7232	4464	53	1.15	0.34					6364	3928	54	1.30	0.28			7629	4709	51			1.05	0.33	6510	4018	53	1.25	GR139R79 GRF139R79			4P	2.7	791	488	10	1.05					GR69R39 GRF69R39	4P	0.38	5693	3514		55	1.45				0.40	5408	3338	55			1.50	0.45	4745	2929	56			1.75	0.50			4306	2658	56			1.95	0.55	3908	2412							57	2.15	0.64			3358	2073			57	2.50			GR139R79 GRF139R79	4P	3.1							706	436	10	1.20	GR59R39 GRF59R39			4P			0.72	2979	1839	57	2.80			0.95	2263	1397	58	3.65			1.1	1986	1226	58			4.20	0.44	4923	3039	26			0.90	GR109R79 GRF109R79	4P	4.2			517	319	6.3	0.90	GR59R39 GRF59R39	4P	0.67	3219	1987	33	1.40	0.73	2960	1827	34	1.50	0.83	2591			1599	34	1.75	4.9	442	273	6.8	1.05	GR59R39 GRF59R39	4P	5.5	390			241	7.0	1.20	6.2	348	215	7.2	1.35	7.1	303	187	7.3	1.55	8.1	266	164	7.4	1.75			9.4	230	142	7.4	2.05	4.1	525	324	5.3	0.90	GR59R39 GRF59R39	4P	4.6	470	290	6.7	1.00	5.1	424	262	6.8	1.10	
453	3.6	2.89	3.2	28			516	3.1	2.54	3.1	36			546	3.0	2.40	3.0	40			642	2.5	2.04			2.9	50			155			11	5.50	3.7	3.60	GRX59 GRXF59	6P	1.2	1863	1150			13	0.85	GR89R59 GRF89R59			4P	168					10		5.07	3.6		3.60		195	8.6		4.35	3.4	7.90	224	7.5	3.79	3.3	9.20	238	6.8	5.50	3.2	5.40	GRX59 GRXF59	4P	1.3	1688	1042			15	0.95	GR89R59 GRF89R59							4P			258									6.3			5.07	3.1	5.40			301	5.4	4.35					3.0	12	346	4.7	3.79			2.9	14	369	4.4	3.55	2.8	15	417	3.9	3.14	2.7	16	450	3.6	2.91	2.6	18	496	3.3	2.64	2.5	20	553	2.9	2.37	2.5	22	642	2.5	2.04	2.3	26	682	2.4	1.92	2.3	28	794	2.0	1.65	2.2	31	0.25kW							0.25kW							0.14					15785	9743	48									0.85	GR149R79 GRF149R79													4P	2.3	925			571	8.7			0.90	GR79R39 GRF79R39	4P	0.16	13678	8443	60	1.00	0.18	11838	7307	63	1.15	0.21	10445	6447	65	1.30	0.24	9021	5568	66	1.55	0.27	7981	4926	67	1.70	0.31	7007	4325	68	1.95	0.35	6082			3754	69	2.25	0.40	5350	3302	69	2.60	0.46					4695	2898	70	2.90	0.23			9452			5834	48	0.90	GR139R79 GRF139R79					4P	2.4	907	560	8.6			0.95			GR69R39 GRF69R39	4P	0.26		8288	5116				51	1.00	0.30	7232	4464					53	1.15	0.34	6364	3928			54	1.30	0.28			7629	4709	51	1.05	0.33	6510					4018	53	1.25	GR139R79 GRF139R79	4P			2.7	791			488	10	1.05	GR69R39 GRF69R39	4P	0.38	5693			3514	55	1.45	0.40			5408	3338	55	1.50	0.45			4745	2929			56	1.75	0.50	4306	2658	56	1.95	0.55	3908				2412	57		2.15	0.64	3358			2073	57			2.50	GR139R79 GRF139R79					4P				3.1	706		436	10	1.20	GR59R39 GRF59R39							4P	0.72	2979	1839	57			2.80	0.95	2263	1397	58			3.65	1.1	1986	1226			58	4.20	0.44	4923	3039			26			0.90			GR109R79 GRF109R79	4P	4.2	517			319	6.3	0.90	GR59R39 GRF59R39	4P	0.67	3219	1987	33	1.40	0.73	2960			1827	34	1.50	0.83	2591	1599	34	1.75			4.9	442	273	6.8	1.05	GR59R39 GRF59R39	4P	5.5	390	241	7.0	1.20	6.2	348	215	7.2	1.35	7.1	303	187	7.3	1.55			8.1	266	164	7.4	1.75	9.4	230	142	7.4	2.05			4.1	525	324	5.3	0.90	GR59R39 GRF59R39	4P	4.6	470	290	6.7
516	3.1	2.54	3.1	36			546	3.0	2.40	3.0	40			642	2.5	2.04	2.9	50			155	11	5.50	3.7	3.60	GRX59 GRXF59	6P			1.2	1863	1150	13	0.85	GR89R59 GRF89R59	4P			168	10	5.07			3.6	3.60					195		8.6	4.35		3.4		7.90	224		7.5	3.79	3.3	9.20	238	6.8	5.50	3.2	5.40	GRX59 GRXF59	4P	1.3	1688	1042	15	0.95	GR89R59 GRF89R59	4P			258	6.3	5.07			3.1	5.40											301									5.4			4.35	3.0	12			346	4.7	3.79					2.9	14	369	4.4	3.55			2.8	15	417	3.9	3.14	2.7	16	450	3.6	2.91	2.6	18	496	3.3	2.64	2.5	20	553	2.9	2.37	2.5	22	642	2.5	2.04	2.3	26	682	2.4	1.92	2.3	28	794	2.0	1.65	2.2	31	0.25kW							0.25kW							0.14	15785	9743	48	0.85	GR149R79 GRF149R79					4P	2.3	925									571															8.7	0.90			GR79R39 GRF79R39	4P			0.16			13678	8443	60	1.00	0.18	11838	7307	63	1.15	0.21	10445	6447	65	1.30	0.24	9021	5568	66	1.55	0.27	7981	4926	67	1.70	0.31	7007	4325	68	1.95	0.35	6082	3754	69	2.25	0.40	5350	3302	69	2.60	0.46	4695	2898	70	2.90	0.23			9452	5834	48	0.90	GR139R79 GRF139R79			4P			2.4	907	560							8.6	0.95	GR69R39 GRF69R39	4P			0.26	8288	5116			51		1.00	0.30		7232	4464	53	1.15	0.34	6364	3928					54	1.30	0.28	7629	4709			51	1.05	0.33			6510	4018	53	1.25	GR139R79 GRF139R79	4P					2.7	791	488					10	1.05			GR69R39 GRF69R39	4P	0.38			5693	3514			55	1.45	0.40	5408			3338	55	1.50	0.45	4745			2929	56			1.75	0.50	4306	2658	56	1.95	0.55	3908	2412				57	2.15		0.64	3358	2073			57	2.50			GR139R79 GRF139R79										4P	3.1		706	436	10									1.20	GR59R39 GRF59R39	4P	0.72			2979	1839	57	2.80	0.95			2263	1397	58	3.65			1.1	1986	1226	58	4.20			0.44			4923					3039	26			0.90	GR109R79 GRF109R79	4P			4.2	517	319	6.3	0.90	GR59R39 GRF59R39	4P			0.67	3219	1987	33	1.40	0.73	2960	1827			34	1.50	0.83	2591	1599			34	1.75	4.9	442	273	6.8	1.05	GR59R39 GRF59R39	4P	5.5	390	241	7.0	1.20	6.2	348	215	7.2	1.35	7.1	303	187	7.3	1.55	8.1	266	164			7.4	1.75	9.4	230	142			7.4	2.05	4.1	525
546	3.0	2.40	3.0	40			642	2.5	2.04	2.9	50			155	11	5.50	3.7	3.60	GRX59 GRXF59	6P	1.2	1863	1150	13	0.85			GR89R59 GRF89R59	4P	168	10	5.07	3.6	3.60					195	8.6	4.35			3.4	7.90		224	7.5		3.79		3.3	9.20		238	6.8	5.50	3.2	5.40	GRX59 GRXF59	4P	1.3	1688	1042	15	0.95	GR89R59 GRF89R59	4P			258	6.3	5.07	3.1	5.40					301	5.4	4.35			3.0	12											346									4.7			3.79	2.9	14			369	4.4	3.55					2.8	15	417	3.9	3.14			2.7	16	450	3.6	2.91	2.6	18	496	3.3	2.64	2.5	20	553	2.9	2.37	2.5	22	642	2.5	2.04	2.3	26	682	2.4	1.92	2.3	28	794	2.0	1.65	2.2	31	0.25kW							0.25kW							0.14	15785	9743	48	0.85	GR149R79 GRF149R79	4P	2.3	925	571							8.7	0.90									GR79R39 GRF79R39															4P	0.16							13678			8443	60	1.00	0.18	11838	7307	63	1.15	0.21	10445	6447	65	1.30	0.24	9021	5568	66	1.55	0.27	7981	4926	67	1.70	0.31	7007	4325	68	1.95	0.35	6082	3754	69	2.25	0.40	5350	3302	69	2.60	0.46	4695	2898	70	2.90	0.23	9452	5834	48	0.90	GR139R79 GRF139R79	4P	2.4		907	560				8.6	0.95	GR69R39 GRF69R39							4P	0.26					8288	5116	51			1.00	0.30	7232	4464	53	1.15	0.34	6364	3928	54	1.30	0.28			7629	4709	51	1.05	0.33	6510	4018			53	1.25	GR139R79 GRF139R79			4P	2.7	791	488							10	1.05	GR69R39 GRF69R39					4P	0.38					5693			3514	55			1.45	0.40	5408	3338			55	1.50	0.45	4745	2929			56	1.75			0.50	4306	2658	56	1.95	0.55	3908	2412	57				2.15	0.64		3358	2073	57			2.50	GR139R79 GRF139R79														4P		3.1	706	436									10			1.20			GR59R39 GRF59R39	4P	0.72	2979	1839			57	2.80	0.95	2263			1397	58	3.65	1.1	1986			1226			58					4.20	0.44			4923					3039	26	0.90	GR109R79 GRF109R79	4P					4.2	517	319	6.3	0.90	GR59R39 GRF59R39	4P	0.67			3219	1987	33	1.40	0.73			2960	1827	34	1.50	0.83	2591	1599			34	1.75	4.9	442	273	6.8	1.05	GR59R39 GRF59R39	4P	5.5	390	241	7.0	1.20	6.2	348	215	7.2	1.35	7.1	303	187	7.3	1.55	8.1			266	164	7.4	1.75
642	2.5	2.04	2.9	50																																																																																																																																																																																																																																																																																																																																																																																																																																																																																																																																																		
155	11	5.50	3.7	3.60	GRX59 GRXF59	6P	1.2	1863	1150	13	0.85	GR89R59 GRF89R59	4P																																																																																																																																																																																																																																																																																																																																																																																																																																																																																																																																									
168	10	5.07	3.6	3.60			195	8.6	4.35	3.4	7.90			224	7.5	3.79	3.3	9.20			238	6.8	5.50	3.2	5.40	GRX59 GRXF59	4P			1.3	1688	1042	15	0.95	GR89R59 GRF89R59	4P	258	6.3	5.07	3.1	5.40	301	5.4	4.35	3.0	12	346	4.7	3.79	2.9	14	369	4.4	3.55	2.8	15	417	3.9	3.14			2.7	16	450	3.6	2.91					2.6	18	496	3.3	2.64					2.5	20	553			2.9	2.37											2.5									22			642	2.5	2.04	2.3	26	682	2.4	1.92	2.3	28	794	2.0	1.65	2.2	31	0.25kW							0.25kW							0.14	15785	9743	48	0.85	GR149R79 GRF149R79	4P	2.3	925	571	8.7	0.90	GR79R39 GRF79R39	4P	0.16	13678	8443	60	1.00	0.18	11838	7307	63	1.15	0.21	10445	6447	65	1.30	0.24	9021	5568	66	1.55	0.27	7981	4926	67	1.70	0.31	7007			4325	68	1.95							0.35	6082				3754	69						2.25	0.40													5350							3302			69	2.60	0.46	4695	2898	70	2.90	0.23	9452	5834	48	0.90	GR139R79 GRF139R79	4P	2.4	907	560	8.6	0.95	GR69R39 GRF69R39	4P	0.26	8288	5116	51	1.00	0.30	7232	4464	53	1.15	0.34	6364	3928	54	1.30	0.28	7629	4709	51	1.05	0.33	6510	4018	53	1.25	GR139R79 GRF139R79	4P			2.7		791	488		10	1.05	GR69R39 GRF69R39	4P		0.38	5693	3514	55	1.45	0.40		5408			3338	55	1.50	0.45	4745	2929	56	1.75	0.50	4306	2658	56	1.95	0.55	3908	2412	57	2.15	0.64	3358	2073	57	2.50	GR139R79 GRF139R79	4P	3.1	706	436	10	1.20	GR59R39 GRF59R39	4P		0.72	2979		1839	57	2.80			0.95	2263	1397	58	3.65	1.1				1986	1226		58	4.20	0.44			4923			3039	26	0.90	GR109R79 GRF109R79	4P	4.2	517	319	6.3	0.90	GR59R39 GRF59R39	4P	0.67	3219	1987	33	1.40	0.73	2960	1827	34	1.50	0.83	2591	1599	34	1.75	4.9	442	273	6.8	1.05	GR59R39 GRF59R39	4P	5.5	390	241	7.0	1.20	6.2	348	215						7.2	1.35						7.1			303	187	7.3	1.55			8.1	266		164	7.4		1.75			9.4	230	142			7.4	2.05	4.1	525	324	5.3	0.90	GR59R39 GRF59R39	4P			4.6	470	290	6.7	1.00			5.1			424	262	6.8			1.10																																																																										
195	8.6	4.35	3.4	7.90			224	7.5	3.79	3.3	9.20			238	6.8	5.50	3.2	5.40	GRX59 GRXF59	4P	1.3	1688	1042	15	0.95			GR89R59 GRF89R59	4P	258	6.3	5.07	3.1	5.40			301	5.4	4.35	3.0	12	346	4.7	3.79	2.9	14	369	4.4	3.55	2.8	15	417	3.9	3.14	2.7	16	450	3.6	2.91			2.6	18	496	3.3	2.64					2.5	20	553	2.9	2.37					2.5	22	642			2.5	2.04											2.3									26			682	2.4	1.92	2.3	28	794	2.0	1.65	2.2	31	0.25kW							0.25kW							0.14	15785	9743	48	0.85	GR149R79 GRF149R79	4P	2.3	925	571			8.7	0.90	GR79R39 GRF79R39	4P	0.16			13678	8443	60	1.00	0.18	11838	7307	63	1.15	0.21	10445	6447	65	1.30	0.24	9021	5568	66	1.55	0.27	7981	4926	67	1.70	0.31	7007	4325			68	1.95	0.35							6082	3754				69	2.25						0.40	5350	3302	69						2.60	0.46				4695							2898			70	2.90	0.23	9452	5834	48	0.90	GR139R79 GRF139R79	4P	2.4	907	560			8.6	0.95	GR69R39 GRF69R39	4P	0.26			8288	5116	51	1.00	0.30	7232	4464	53	1.15	0.34	6364	3928	54	1.30	0.28	7629	4709	51	1.05	0.33	6510	4018	53	1.25	GR139R79 GRF139R79					4P	2.7	791	488	10	1.05	GR69R39 GRF69R39				4P	0.38	5693	3514	55	1.45		0.40	5408	3338	55	1.50	0.45	4745	2929	56	1.75	0.50	4306	2658	56	1.95	0.55	3908	2412	57	2.15	0.64	3358	2073	57	2.50	GR139R79 GRF139R79			4P	3.1	706	436	10				1.20	GR59R39 GRF59R39		4P	0.72	2979			1839	57	2.80	0.95	2263	1397		58	3.65	1.1	1986		1226	58	4.20			0.44	4923	3039	26	0.90	GR109R79 GRF109R79			4P	4.2	517	319	6.3			0.90	GR59R39 GRF59R39	4P	0.67	3219	1987	33	1.40	0.73	2960	1827	34	1.50	0.83	2591	1599	34	1.75	4.9	442			273	6.8	1.05	GR59R39 GRF59R39	4P	5.5	390	241		7.0	1.20			6.2	348				215	7.2	1.35			7.1	303	187	7.3			1.55	8.1		266	164		7.4			1.75	9.4	230			142	7.4	2.05	4.1	525	324	5.3			0.90	GR59R39 GRF59R39	4P	4.6	470	290	6.7	1.00	5.1	424			262	6.8	1.10																																																																													
224	7.5	3.79	3.3	9.20																																																																																																																																																																																																																																																																																																																																																																																																																																																																																																																																																		
238	6.8	5.50	3.2	5.40	GRX59 GRXF59	4P	1.3	1688	1042	15	0.95	GR89R59 GRF89R59	4P																																																																																																																																																																																																																																																																																																																																																																																																																																																																																																																																									
258	6.3	5.07	3.1	5.40			301	5.4	4.35	3.0	12			346	4.7	3.79	2.9	14			369	4.4	3.55	2.8	15					417	3.9	3.14	2.7	16			450	3.6	2.91	2.6	18	496	3.3	2.64	2.5	20	553	2.9	2.37	2.5	22	642	2.5	2.04	2.3	26	682	2.4	1.92			2.3	28	794	2.0	1.65					2.2	31	0.25kW							0.25kW										0.14	15785				9743	48	0.85		GR149R79 GRF149R79	4P		2.3	925			571			8.7	0.90	GR79R39 GRF79R39	4P	0.16	13678	8443	60	1.00	0.18	11838	7307	63	1.15	0.21	10445	6447	65	1.30	0.24	9021	5568	66	1.55	0.27	7981	4926	67	1.70			0.31	7007	4325			68	1.95			0.35			6082	3754	69	2.25	0.40	5350	3302	69	2.60	0.46	4695	2898	70	2.90	0.23	9452	5834	48	0.90	GR139R79 GRF139R79	4P	2.4	907	560	8.6	0.95	GR69R39 GRF69R39			4P	0.26	8288			5116	51			1.00	0.30		7232	4464	53	1.15						0.34	6364	3928	54						1.30	0.28				7629							4709			51	1.05	0.33	6510	4018	53	1.25			GR139R79 GRF139R79	4P	2.7			791	488			10			1.05	GR69R39 GRF69R39	4P	0.38	5693	3514	55	1.45	0.40	5408	3338	55	1.50	0.45	4745	2929	56	1.75	0.50	4306	2658	56	1.95	0.55				3908	2412		57	2.15	0.64	3358	2073				57		2.50	GR139R79 GRF139R79	4P	3.1	706	436	10	1.20	GR59R39 GRF59R39	4P	0.72	2979	1839	57	2.80	0.95	2263	1397	58	3.65	1.1	1986	1226	58	4.20	0.44	4923	3039	26	0.90	GR109R79 GRF109R79					4P	4.2	517	319			6.3	0.90		GR59R39 GRF59R39		4P	0.67	3219	1987	33	1.40	0.73	2960	1827	34	1.50	0.83	2591	1599	34	1.75	4.9	442	273	6.8	1.05	GR59R39 GRF59R39	4P	5.5	390	241					7.0	1.20	6.2	348			215			7.2	1.35	7.1	303	187	7.3	1.55	8.1	266	164	7.4	1.75	9.4	230	142	7.4	2.05			4.1	525	324			5.3	0.90	GR59R39 GRF59R39		4P	4.6	470	290	6.7	1.00	5.1	424	262	6.8	1.10																																																																																																																												
301	5.4	4.35	3.0	12			346	4.7	3.79	2.9	14			369	4.4	3.55	2.8	15			417	3.9	3.14	2.7	16					450	3.6	2.91	2.6	18			496	3.3	2.64	2.5	20	553	2.9	2.37	2.5	22	642	2.5	2.04	2.3	26	682	2.4	1.92	2.3	28	794	2.0	1.65			2.2	31	0.25kW							0.25kW									0.14	15785	9743			48	0.85			GR149R79 GRF149R79	4P	2.3	925			571	8.7	0.90					GR79R39 GRF79R39	4P	0.16	13678	8443			60	1.00			0.18	11838	7307	63	1.15	0.21	10445	6447	65	1.30	0.24	9021	5568	66	1.55	0.27	7981	4926	67	1.70	0.31	7007	4325	68	1.95			0.35	6082	3754			69	2.25			0.40			5350	3302	69	2.60	0.46	4695	2898	70	2.90	0.23	9452	5834	48	0.90	GR139R79 GRF139R79	4P	2.4	907	560			8.6	0.95	GR69R39 GRF69R39	4P	0.26					8288	5116		51	1.00	0.30	7232		4464	53		1.15	0.34	6364	3928		54	1.30			0.28	7629	4709	51						1.05	0.33				6510							4018			53	1.25	GR139R79 GRF139R79	4P	2.7	791	488					10	1.05	GR69R39 GRF69R39	4P	0.38			5693	3514	55	1.45			0.40	5408	3338	55	1.50	0.45	4745	2929	56	1.75	0.50	4306	2658	56	1.95	0.55	3908	2412	57	2.15	0.64				3358	2073		57	2.50	GR139R79 GRF139R79	4P	3.1				706		436			10	1.20	GR59R39 GRF59R39	4P	0.72			2979	1839	57	2.80	0.95	2263	1397	58	3.65	1.1	1986	1226	58	4.20	0.44	4923	3039	26	0.90	GR109R79 GRF109R79							4P	4.2	517			319	6.3					0.90	GR59R39 GRF59R39	4P	0.67	3219	1987	33	1.40	0.73	2960	1827	34	1.50	0.83	2591	1599	34	1.75	4.9	442			273	6.8	1.05					GR59R39 GRF59R39	4P	5.5	390			241			7.0	1.20	6.2	348	215	7.2	1.35	7.1	303	187	7.3	1.55	8.1	266	164	7.4	1.75			9.4	230	142			7.4	2.05		4.1		525	324	5.3	0.90	GR59R39 GRF59R39	4P	4.6	470	290	6.7	1.00	5.1	424	262	6.8	1.10																																																																																																																						
346	4.7	3.79	2.9	14			369	4.4	3.55	2.8	15			417	3.9	3.14	2.7	16			450	3.6	2.91	2.6	18					496	3.3	2.64	2.5	20			553	2.9	2.37	2.5	22	642	2.5	2.04	2.3	26	682	2.4	1.92	2.3	28	794	2.0	1.65	2.2	31	0.25kW							0.25kW							0.14	15785	9743	48	0.85					GR149R79 GRF149R79	4P	2.3			925	571		8.7			0.90	GR79R39 GRF79R39	4P		0.16	13678	8443							60	1.00	0.18	11838	7307	63	1.15			0.21	10445	6447	65	1.30	0.24	9021	5568	66	1.55	0.27	7981	4926	67	1.70	0.31	7007	4325	68	1.95	0.35	6082	3754	69	2.25			0.40	5350	3302			69	2.60			0.46			4695	2898	70	2.90	0.23	9452	5834	48	0.90	GR139R79 GRF139R79	4P	2.4	907	560			8.6	0.95	GR69R39 GRF69R39			4P	0.26			8288					5116	51		1.00	0.30	7232	4464		53	1.15	0.34	6364	3928	54	1.30	0.28	7629	4709			51	1.05	0.33	6510				4018	53	1.25	GR139R79 GRF139R79				4P							2.7			791	488			10	1.05	GR69R39 GRF69R39	4P	0.38			5693	3514			55	1.45	0.40	5408	3338	55	1.50			0.45	4745	2929	56	1.75	0.50	4306	2658	56	1.95	0.55	3908	2412	57	2.15	0.64	3358	2073	57	2.50	GR139R79 GRF139R79		4P	3.1	706	436		10	1.20			GR59R39 GRF59R39		4P	0.72	2979		1839			57	2.80			0.95			2263	1397	58	3.65	1.1	1986	1226	58	4.20	0.44	4923	3039	26	0.90	GR109R79 GRF109R79	4P	4.2	517	319									6.3	0.90			GR59R39 GRF59R39	4P					0.67			3219	1987	33	1.40	0.73	2960	1827	34	1.50	0.83	2591	1599	34	1.75	4.9	442	273			6.8	1.05	GR59R39 GRF59R39							4P	5.5			390			241	7.0	1.20	6.2	348	215	7.2	1.35	7.1	303	187	7.3	1.55	8.1	266	164	7.4			1.75	9.4	230			142	7.4		2.05		4.1	525	324	5.3			0.90	GR59R39 GRF59R39	4P	4.6	470	290	6.7	1.00	5.1	424	262	6.8	1.10																																																																																																																			
369	4.4	3.55	2.8	15			417	3.9	3.14	2.7	16			450	3.6	2.91	2.6	18			496	3.3	2.64	2.5	20					553	2.9	2.37	2.5	22			642	2.5	2.04	2.3	26	682	2.4	1.92	2.3	28	794	2.0	1.65	2.2	31	0.25kW							0.25kW							0.14					15785	9743	48	0.85	GR149R79 GRF149R79							4P	2.3	925	571	8.7		0.90			GR79R39 GRF79R39				4P	0.16	13678	8443			60			1.00	0.18	11838	7307	63	1.15	0.21			10445	6447	65	1.30	0.24	9021	5568	66	1.55	0.27	7981	4926	67	1.70	0.31	7007	4325	68	1.95	0.35	6082	3754	69	2.25	0.40			5350	3302	69			2.60	0.46			4695			2898	70	2.90	0.23	9452	5834	48	0.90	GR139R79 GRF139R79			4P	2.4	907			560	8.6					0.95			GR69R39 GRF69R39					4P	0.26		8288	5116	51	1.00		0.30	7232	4464	53	1.15	0.34	6364	3928	54	1.30			0.28	7629	4709	51	1.05	0.33		6510	4018	53						1.25	GR139R79 GRF139R79					4P			2.7	791			488	10			1.05			GR69R39 GRF69R39	4P			0.38	5693	3514	55	1.45	0.40	5408			3338	55	1.50	0.45	4745	2929	56	1.75	0.50	4306	2658	56	1.95	0.55	3908	2412	57	2.15	0.64	3358		2073		57	2.50	GR139R79 GRF139R79	4P	3.1	706				436		10	1.20	GR59R39 GRF59R39	4P			0.72	2979			1839			57	2.80	0.95	2263	1397	58	3.65	1.1	1986	1226	58	4.20	0.44	4923			3039	26	0.90									GR109R79 GRF109R79	4P									4.2			517	319	6.3	0.90	GR59R39 GRF59R39	4P	0.67	3219	1987	33	1.40	0.73	2960	1827	34	1.50	0.83			2591	1599									34			1.75			4.9	442	273	6.8	1.05	GR59R39 GRF59R39	4P	5.5	390	241	7.0	1.20	6.2	348	215	7.2	1.35			7.1	303	187			7.3	1.55	8.1	266	164	7.4	1.75	9.4	230			142			7.4	2.05	4.1	525	324	5.3	0.90	GR59R39 GRF59R39	4P	4.6	470	290	6.7	1.00	5.1	424	262	6.8	1.10																																																																																																										
417	3.9	3.14	2.7	16			450	3.6	2.91	2.6	18			496	3.3	2.64	2.5	20			553	2.9	2.37	2.5	22					642	2.5	2.04	2.3	26			682	2.4	1.92	2.3	28	794	2.0	1.65	2.2	31	0.25kW							0.25kW								0.14	15785	9743	48	0.85					GR149R79 GRF149R79	4P	2.3	925				571	8.7				0.90	GR79R39 GRF79R39	4P	0.16	13678	8443						60		1.00	0.18	11838			7307			63	1.15	0.21	10445	6447	65	1.30			0.24	9021	5568	66	1.55	0.27	7981	4926	67	1.70	0.31	7007	4325	68	1.95	0.35	6082	3754	69	2.25	0.40	5350	3302	69	2.60			0.46	4695	2898			70	2.90			0.23			9452	5834	48	0.90	GR139R79 GRF139R79	4P	2.4	907					560	8.6			0.95	GR69R39 GRF69R39					4P									0.26		8288	5116	51	1.00		0.30	7232	4464	53	1.15	0.34	6364	3928	54	1.30			0.28	7629	4709	51	1.05	0.33	6510	4018	53	1.25		GR139R79 GRF139R79				4P				2.7	791				488	10			1.05	GR69R39 GRF69R39			4P							0.38	5693	3514	55	1.45	0.40	5408			3338	55	1.50	0.45	4745	2929	56	1.75	0.50	4306	2658	56	1.95	0.55	3908	2412	57	2.15	0.64	3358		2073		57	2.50			GR139R79 GRF139R79	4P				3.1		706	436					10	1.20			GR59R39 GRF59R39			4P	0.72	2979	1839	57	2.80	0.95	2263	1397	58	3.65	1.1	1986	1226			58	4.20	0.44				4923	3039						26	0.90							GR109R79 GRF109R79			4P	4.2	517	319			6.3	0.90	GR59R39 GRF59R39	4P	0.67	3219	1987	33	1.40	0.73	2960			1827	34			1.50	0.83					2591	1599	34	1.75			4.9	442	273	6.8	1.05			GR59R39 GRF59R39	4P	5.5	390	241	7.0	1.20	6.2	348	215	7.2	1.35	7.1	303	187			7.3	1.55	8.1	266	164	7.4	1.75	9.4	230	142	7.4	2.05			4.1	525	324	5.3	0.90	GR59R39 GRF59R39	4P			4.6	470	290	6.7	1.00	5.1	424	262	6.8	1.10																																																																																																										
450	3.6	2.91	2.6	18			496	3.3	2.64	2.5	20			553	2.9	2.37	2.5	22			642	2.5	2.04	2.3	26					682	2.4	1.92	2.3	28			794	2.0	1.65	2.2	31	0.25kW							0.25kW							0.14	15785	9743	48			0.85	GR149R79 GRF149R79	4P	2.3	925			571	8.7			0.90	GR79R39 GRF79R39		4P	0.16	13678	8443				60			1.00	0.18	11838						7307		63	1.15	0.21			10445			6447	65	1.30	0.24	9021	5568	66			1.55	0.27	7981	4926	67	1.70	0.31	7007	4325	68	1.95	0.35	6082	3754	69	2.25	0.40	5350	3302	69	2.60	0.46	4695	2898	70			2.90	0.23	9452			5834	48			0.90			GR139R79 GRF139R79	4P	2.4	907			560	8.6					0.95	GR69R39 GRF69R39			4P			0.26	8288						5116			51		1.00		0.30	7232	4464	53		1.15	0.34	6364	3928	54	1.30	0.28	7629	4709	51		1.05	0.33	6510	4018	53	1.25	GR139R79 GRF139R79	4P	2.7	791	488			10							1.05	GR69R39 GRF69R39		4P	0.38	5693	3514			55											1.45	0.40	5408	3338	55	1.50	0.45			4745	2929	56	1.75	0.50	4306	2658	56	1.95	0.55	3908	2412	57	2.15	0.64	3358	2073	57	2.50	GR139R79 GRF139R79		4P		3.1	706								436		10	1.20					GR59R39 GRF59R39	4P							0.72	2979	1839	57	2.80	0.95	2263	1397	58	3.65	1.1	1986	1226			58	4.20	0.44			4923	3039	26	0.90					GR109R79 GRF109R79	4P			4.2		517						319	6.3	0.90			GR59R39 GRF59R39	4P			0.67	3219	1987	33	1.40	0.73	2960			1827	34		1.50	0.83	2591	1599				34	1.75	4.9	442	273	6.8	1.05	GR59R39 GRF59R39	4P	5.5	390					241	7.0	1.20	6.2	348	215	7.2	1.35	7.1	303	187	7.3	1.55	8.1	266	164	7.4	1.75	9.4	230	142	7.4	2.05	4.1	525	324	5.3	0.90	GR59R39 GRF59R39	4P	4.6	470	290	6.7					1.00	5.1	424	262	6.8	1.10																																																																																																														
496	3.3	2.64	2.5	20			553	2.9	2.37	2.5	22			642	2.5	2.04	2.3	26			682	2.4	1.92	2.3	28					794	2.0	1.65	2.2	31			0.25kW							0.25kW							0.14	15785	9743	48	0.85	GR149R79 GRF149R79	4P	2.3	925	571	8.7	0.90			GR79R39 GRF79R39	4P	0.16	13678	8443	60			1.00				0.18	11838	7307				63			1.15	0.21	10445						6447		65	1.30	0.24			9021			5568	66	1.55	0.27	7981	4926	67			1.70	0.31	7007	4325	68	1.95	0.35	6082	3754	69	2.25	0.40	5350	3302	69	2.60	0.46	4695	2898	70	2.90	0.23	9452	5834	48			0.90	GR139R79 GRF139R79	4P			2.4	907			560					8.6	0.95			GR69R39 GRF69R39	4P					0.26		8288	5116				51	1.00			0.30	7232		4464			53		1.15	0.34	6364	3928	54	1.30	0.28	7629	4709	51	1.05	0.33	6510	4018	53	1.25	GR139R79 GRF139R79		4P	2.7	791	488	10	1.05			GR69R39 GRF69R39	4P	0.38			5693					3514	55	1.45				0.40	5408	3338			55					1.50	0.45					4745	2929	56	1.75	0.50	4306	2658	56	1.95	0.55	3908	2412	57	2.15	0.64	3358	2073	57	2.50	GR139R79 GRF139R79	4P	3.1	706	436	10	1.20	GR59R39 GRF59R39	4P					0.72	2979								1839		57	2.80													0.95	2263	1397	58	3.65	1.1	1986	1226	58	4.20	0.44	4923	3039			26	0.90	GR109R79 GRF109R79			4P	4.2	517	319									6.3		0.90						GR59R39 GRF59R39	4P	0.67							3219	1987	33	1.40	0.73	2960	1827			34	1.50		0.83	2591	1599	34				1.75	4.9	442	273	6.8	1.05	GR59R39 GRF59R39			4P	5.5					390	241	7.0	1.20	6.2	348	215	7.2	1.35	7.1	303	187	7.3	1.55	8.1	266	164	7.4	1.75	9.4	230	142	7.4	2.05	4.1	525	324	5.3			0.90	GR59R39 GRF59R39	4P	4.6			470	290	6.7	1.00	5.1	424	262	6.8	1.10																																																																																																													
553	2.9	2.37	2.5	22			642	2.5	2.04	2.3	26			682	2.4	1.92	2.3	28			794	2.0	1.65	2.2	31					0.25kW							0.25kW							0.14	15785	9743	48	0.85	GR149R79 GRF149R79	4P	2.3	925	571	8.7	0.90			GR79R39 GRF79R39	4P	0.16	13678	8443					60	1.00	0.18	11838			7307				63	1.15	0.21				10445			6447	65	1.30						0.24		9021	5568	66			1.55			0.27	7981	4926	67	1.70	0.31	7007			4325	68	1.95	0.35	6082	3754	69	2.25	0.40	5350	3302	69	2.60	0.46	4695	2898	70	2.90	0.23	9452	5834	48	0.90	GR139R79 GRF139R79	4P			2.4					907	560			8.6					0.95	GR69R39 GRF69R39						4P	0.26		8288		5116	51			1.00	0.30	7232	4464		53	1.15		0.34	6364	3928	54		1.30	0.28	7629	4709	51	1.05	0.33	6510	4018	53	1.25	GR139R79 GRF139R79	4P	2.7	791	488		10		1.05	GR69R39 GRF69R39	4P	0.38	5693					3514			55	1.45				0.40	5408	3338				55	1.50	0.45	4745	2929	56					1.75	0.50			4306	2658	56	1.95	0.55	3908	2412	57	2.15	0.64	3358	2073	57	2.50	GR139R79 GRF139R79	4P	3.1	706	436	10	1.20			GR59R39 GRF59R39	4P	0.72	2979	1839							57	2.80								0.95		2263	1397													58	3.65	1.1	1986	1226	58	4.20	0.44	4923	3039	26	0.90	GR109R79 GRF109R79			4P	4.2					517	319	6.3									0.90		GR59R39 GRF59R39								4P							0.67	3219	1987	33	1.40	0.73	2960			1827	34		1.50	0.83	2591	1599				34	1.75	4.9	442	273	6.8					1.05					GR59R39 GRF59R39	4P	5.5	390	241	7.0	1.20	6.2	348	215	7.2	1.35	7.1	303	187	7.3	1.55	8.1	266	164	7.4	1.75	9.4	230	142	7.4	2.05	4.1			525			324	5.3	0.90	GR59R39 GRF59R39	4P	4.6	470	290	6.7	1.00	5.1	424	262	6.8	1.10																																																																																																										
642	2.5	2.04	2.3	26			682	2.4	1.92	2.3	28			794	2.0	1.65	2.2	31			0.25kW									0.25kW							0.14	15785	9743	48	0.85	GR149R79 GRF149R79	4P	2.3	925	571	8.7	0.90			GR79R39 GRF79R39	4P	0.16	13678	8443					60	1.00	0.18					11838	7307	63	1.15			0.21				10445	6447	65				1.30			0.24	9021	5568						66		1.55	0.27	7981			4926			67	1.70	0.31	7007	4325	68	1.95			0.35	6082	3754	69	2.25	0.40	5350	3302	69	2.60	0.46	4695	2898	70	2.90	0.23	9452	5834	48	0.90	GR139R79 GRF139R79	4P	2.4					907					560	8.6			0.95					GR69R39 GRF69R39						4P		0.26	8288	5116		51	1.00			0.30	7232	4464	53		1.15	0.34	6364	3928	54	1.30	0.28	7629	4709	51	1.05	0.33	6510	4018	53	1.25	GR139R79 GRF139R79	4P	2.7			791	488	10		1.05		GR69R39 GRF69R39			4P	0.38					5693	3514		55	1.45	0.40			5408	3338	55				1.50	0.45	4745	2929	56	1.75		0.50	4306		2658	56			1.95	0.55	3908	2412	57	2.15	0.64	3358	2073	57	2.50	GR139R79 GRF139R79	4P	3.1			706	436	10	1.20	GR59R39 GRF59R39					4P	0.72	2979							1839	57								2.80		0.95	2263			1397	58						3.65	1.1		1986	1226	58	4.20	0.44	4923	3039	26	0.90	GR109R79 GRF109R79	4P	4.2					517			319		6.3	0.90	GR59R39 GRF59R39	4P								0.67	3219		1987														33	1.40	0.73	2960	1827	34	1.50	0.83	2591	1599	34		1.75	4.9	442	273				6.8	1.05	GR59R39 GRF59R39	4P	5.5	390					241							7.0	1.20	6.2	348	215	7.2	1.35	7.1	303	187	7.3	1.55	8.1	266	164	7.4	1.75	9.4	230	142	7.4	2.05	4.1	525	324	5.3	0.90	GR59R39 GRF59R39	4P			4.6	470	290			6.7	1.00	5.1	424	262	6.8	1.10																																																																																																													
682	2.4	1.92	2.3	28			794	2.0	1.65	2.2	31			0.25kW							0.25kW									0.14	15785	9743	48	0.85	GR149R79 GRF149R79	4P	2.3	925	571	8.7	0.90			GR79R39 GRF79R39	4P	0.16	13678	8443					60	1.00	0.18					11838	7307	63					1.15	0.21	10445	6447			65				1.30	0.24	9021				5568			66	1.55	0.27						7981		4926	67	1.70			0.31			7007	4325	68	1.95	0.35	6082	3754			69	2.25	0.40	5350	3302	69	2.60	0.46	4695	2898	70	2.90	0.23	9452	5834	48	0.90	GR139R79 GRF139R79	4P	2.4			907					560					8.6	0.95			GR69R39 GRF69R39							4P	0.26					8288	5116	51		1.00	0.30		7232	4464	53	1.15	0.34	6364	3928	54	1.30	0.28	7629	4709	51	1.05	0.33	6510	4018	53	1.25	GR139R79 GRF139R79	4P	2.7			791			488	10	1.05		GR69R39 GRF69R39						4P					0.38	5693		3514	55	1.45		0.40	5408	3338	55		1.50		0.45	4745	2929	56	1.75	0.50		4306	2658		56	1.95	0.55	3908	2412	57	2.15	0.64	3358	2073	57	2.50	GR139R79 GRF139R79	4P	3.1			706			436	10	1.20	GR59R39 GRF59R39							4P	0.72							2979	1839					57	2.80		0.95		2263	1397			58	3.65			1.1	1986		1226	58		4.20	0.44	4923	3039	26	0.90	GR109R79 GRF109R79	4P	4.2			517					319		6.3	0.90		GR59R39 GRF59R39	4P			0.67							3219	1987		33		1.40	0.73											2960	1827	34	1.50	0.83	2591	1599	34	1.75	4.9	442		273	6.8	1.05	GR59R39 GRF59R39	4P	5.5		390	241			7.0	1.20					6.2							348	215	7.2	1.35	7.1	303	187	7.3	1.55	8.1	266	164	7.4	1.75	9.4	230	142	7.4	2.05	4.1	525	324	5.3	0.90	GR59R39 GRF59R39	4P	4.6			470	290	6.7	1.00	5.1			424	262	6.8	1.10																																																																																																																
794	2.0	1.65	2.2	31																																																																																																																																																																																																																																																																																																																																																																																																																																																																																																																																																		
0.25kW							0.25kW																																																																																																																																																																																																																																																																																																																																																																																																																																																																																																																																															
0.14	15785	9743	48	0.85	GR149R79 GRF149R79	4P	2.3	925	571	8.7	0.90	GR79R39 GRF79R39	4P																																																																																																																																																																																																																																																																																																																																																																																																																																																																																																																																									
0.16	13678	8443	60	1.00			0.18	11838	7307	63	1.15			0.21	10445	6447	65	1.30	0.24	9021	5568	66	1.55	0.27	7981	4926	67	1.70	0.31	7007	4325	68	1.95	0.35			6082	3754	69	2.25	0.40					5350	3302	69					2.60	0.46	4695					2898	70	2.90					0.23	9452	5834	48			0.90				GR139R79 GRF139R79	4P	2.4				907			560	8.6	0.95						GR69R39 GRF69R39		4P	0.26	8288			5116			51	1.00	0.30	7232	4464	53	1.15			0.34	6364	3928	54	1.30	0.28	7629	4709	51	1.05	0.33	6510	4018	53	1.25	GR139R79 GRF139R79	4P			2.7	791	488	10	1.05	GR69R39 GRF69R39	4P	0.38	5693	3514	55	1.45	0.40	5408	3338	55	1.50		0.45	4745	2929	56	1.75	0.50		4306	2658	56	1.95	0.55	3908	2412	57	2.15	0.64	3358	2073	57	2.50	GR139R79 GRF139R79	4P	3.1	706	436	10	1.20	GR59R39 GRF59R39	4P	0.72	2979	1839	57	2.80	0.95	2263	1397			58			3.65	1.1	1986	1226	58	4.20	0.44		4923		3039	26			0.90	GR109R79 GRF109R79	4P	4.2	517	319	6.3	0.90	GR59R39 GRF59R39	4P	0.67	3219	1987	33	1.40	0.73	2960	1827	34	1.50	0.83	2591	1599	34	1.75	4.9	442	273	6.8	1.05	GR59R39 GRF59R39	4P	5.5	390	241	7.0	1.20	6.2	348	215			7.2			1.35			7.1	303	187									7.3			1.55	8.1	266	164	7.4	1.75	9.4	230	142	7.4	2.05	4.1	525	324	5.3	0.90	GR59R39 GRF59R39	4P	4.6	470	290	6.7	1.00	5.1	424	262	6.8	1.10																																																																																																																																																																																																																																														
0.18	11838	7307	63	1.15			0.21	10445	6447	65	1.30			0.24	9021	5568	66	1.55	0.27	7981	4926	67	1.70	0.31	7007	4325	68	1.95	0.35	6082	3754	69	2.25	0.40			5350	3302	69	2.60	0.46					4695	2898	70					2.90	0.23	9452					5834	48	0.90					GR139R79 GRF139R79	4P	2.4	907			560						8.6				0.95			GR69R39 GRF69R39	4P	0.26									8288	5116	51	1.00	0.30			7232	4464	53	1.15	0.34	6364	3928	54	1.30	0.28	7629	4709	51	1.05	0.33	6510	4018	53	1.25	GR139R79 GRF139R79	4P	2.7	791	488			10	1.05	GR69R39 GRF69R39	4P	0.38	5693	3514			55	1.45	0.40	5408	3338	55	1.50	0.45	4745	2929	56	1.75	0.50	4306	2658	56	1.95	0.55	3908	2412	57	2.15	0.64	3358	2073	57	2.50	GR139R79 GRF139R79	4P	3.1	706	436			10	1.20	GR59R39 GRF59R39	4P	0.72			2979	1839	57	2.80	0.95	2263	1397	58			3.65	1.1	1986	1226	58	4.20	0.44	4923	3039	26		0.90	GR109R79 GRF109R79	4P	4.2	517		319			6.3	0.90	GR59R39 GRF59R39	4P	0.67			3219	1987	33	1.40	0.73	2960	1827	34	1.50	0.83	2591	1599	34	1.75	4.9	442	273	6.8	1.05	GR59R39 GRF59R39			4P	5.5	390	241	7.0	1.20	6.2	348			215			7.2			1.35	7.1	303			187	7.3					1.55	8.1	266	164	7.4	1.75	9.4	230	142	7.4	2.05	4.1	525	324	5.3	0.90	GR59R39 GRF59R39	4P	4.6			470	290	6.7	1.00	5.1	424	262	6.8	1.10																																																																																																																																																																																																																																															
0.21	10445	6447	65	1.30			0.24	9021	5568	66	1.55			0.27	7981	4926	67	1.70	0.31	7007	4325	68	1.95	0.35	6082	3754	69	2.25	0.40	5350	3302	69	2.60	0.46			4695	2898	70	2.90	0.23					9452	5834	48					0.90	GR139R79 GRF139R79	4P					2.4	907	560							8.6	0.95			GR69R39 GRF69R39						4P				0.26					8288	5116	51							1.00	0.30	7232	4464	53	1.15	0.34	6364	3928	54	1.30	0.28	7629	4709	51	1.05	0.33	6510	4018	53	1.25	GR139R79 GRF139R79	4P	2.7	791	488			10	1.05	GR69R39 GRF69R39			4P	0.38			5693	3514	55			1.45	0.40	5408	3338	55	1.50	0.45	4745	2929	56	1.75	0.50	4306	2658	56	1.95	0.55	3908	2412	57	2.15	0.64	3358	2073	57	2.50	GR139R79 GRF139R79			4P	3.1	706			436	10			1.20			GR59R39 GRF59R39	4P	0.72	2979	1839	57	2.80	0.95	2263	1397	58	3.65	1.1	1986	1226	58	4.20	0.44	4923	3039	26	0.90			GR109R79 GRF109R79	4P	4.2	517			319	6.3			0.90			GR59R39 GRF59R39	4P	0.67	3219	1987	33	1.40	0.73	2960	1827	34	1.50	0.83	2591	1599	34	1.75	4.9	442					273	6.8	1.05	GR59R39 GRF59R39	4P	5.5	390			241			7.0	1.20	6.2	348	215	7.2			1.35	7.1	303	187			7.3	1.55	8.1	266	164	7.4	1.75	9.4	230	142	7.4	2.05	4.1	525	324	5.3			0.90			GR59R39 GRF59R39	4P	4.6	470	290	6.7	1.00	5.1	424	262	6.8	1.10																																																																																																																																																																																																																																												
0.24	9021	5568	66	1.55			0.27	7981	4926	67	1.70			0.31	7007	4325	68	1.95	0.35	6082	3754	69	2.25	0.40	5350	3302	69	2.60	0.46	4695	2898	70	2.90	0.23			9452	5834	48	0.90	GR139R79 GRF139R79					4P	2.4	907					560							8.6	0.95	GR69R39 GRF69R39							4P	0.26										8288	5116		51					1.00	0.30	7232		4464	53				1.15	0.34	6364	3928	54	1.30	0.28	7629	4709	51	1.05	0.33	6510	4018	53	1.25	GR139R79 GRF139R79	4P	2.7	791	488			10	1.05	GR69R39 GRF69R39			4P	0.38					5693			3514	55	1.45			0.40	5408	3338	55	1.50	0.45	4745	2929	56	1.75	0.50	4306	2658	56	1.95	0.55	3908	2412	57	2.15	0.64	3358	2073	57	2.50	GR139R79 GRF139R79					4P	3.1			706	436			10					1.20	GR59R39 GRF59R39	4P	0.72	2979	1839	57	2.80	0.95	2263	1397	58	3.65	1.1	1986	1226	58	4.20	0.44	4923					3039	26			0.90	GR109R79 GRF109R79			4P					4.2	517	319	6.3	0.90	GR59R39 GRF59R39	4P	0.67	3219	1987	33	1.40	0.73	2960	1827	34	1.50					0.83	2591	1599			34	1.75			4.9	442	273	6.8	1.05	GR59R39 GRF59R39	4P	5.5	390		241	7.0	1.20	6.2	348	215		7.2	1.35	7.1	303	187	7.3	1.55	8.1	266	164	7.4	1.75	9.4	230	142	7.4			2.05	4.1	525			324	5.3	0.90	GR59R39 GRF59R39	4P	4.6	470	290	6.7	1.00	5.1	424	262	6.8	1.10																																																																																																																																																																																																																																							
0.27	7981	4926	67	1.70			0.31	7007	4325	68	1.95			0.35	6082	3754	69	2.25	0.40	5350	3302	69	2.60	0.46	4695	2898	70	2.90	0.23	9452	5834	48	0.90	GR139R79 GRF139R79			4P	2.4	907	560							8.6	0.95					GR69R39 GRF69R39							4P	0.26									8288					5116					51	1.00	0.30	7232					4464	53	1.15	0.34	6364	3928		54		1.30	0.28	7629	4709	51	1.05	0.33	6510	4018	53	1.25	GR139R79 GRF139R79	4P	2.7	791	488			10	1.05	GR69R39 GRF69R39			4P	0.38					5693					3514			55	1.45	0.40			5408	3338	55	1.50	0.45	4745	2929	56	1.75	0.50	4306	2658	56	1.95	0.55	3908	2412	57	2.15	0.64	3358	2073	57	2.50	GR139R79 GRF139R79							4P			3.1	706			436					10			1.20	GR59R39 GRF59R39	4P	0.72	2979	1839	57	2.80	0.95	2263	1397	58	3.65	1.1	1986	1226	58					4.20	0.44			4923									3039	26	0.90	GR109R79 GRF109R79	4P			4.2	517	319	6.3	0.90	GR59R39 GRF59R39	4P	0.67	3219	1987					33	1.40	0.73			2960	1827	34	1.50	0.83	2591	1599	34	1.75			4.9	442	273	6.8	1.05	GR59R39 GRF59R39	4P	5.5	390	241	7.0	1.20	6.2	348	215	7.2	1.35	7.1	303	187	7.3	1.55	8.1	266	164	7.4	1.75	9.4	230	142	7.4			2.05	4.1	525			324	5.3	0.90	GR59R39 GRF59R39	4P	4.6	470	290	6.7	1.00	5.1	424	262	6.8	1.10																																																																																																																																																																																																																																		
0.31	7007	4325	68	1.95			0.35	6082	3754	69	2.25			0.40	5350	3302	69	2.60	0.46	4695	2898	70	2.90	0.23	9452	5834	48	0.90	GR139R79 GRF139R79	4P	2.4	907	560					8.6	0.95	GR69R39 GRF69R39							4P	0.26													8288									5116	51	1.00			0.30		7232	4464		53	1.15	0.34	6364	3928	54			1.30	0.28	7629	4709	51	1.05	0.33	6510	4018	53	1.25	GR139R79 GRF139R79	4P	2.7	791	488	10	1.05	GR69R39 GRF69R39	4P			0.38	5693	3514			55	1.45					0.40					5408					3338			55	1.50	0.45			4745	2929	56	1.75	0.50	4306	2658	56	1.95	0.55	3908	2412	57	2.15	0.64	3358	2073	57	2.50	GR139R79 GRF139R79	4P	3.1	706	436											10	1.20			GR59R39 GRF59R39					4P			0.72			2979	1839	57	2.80	0.95	2263	1397	58	3.65	1.1	1986	1226	58	4.20					0.44	4923			3039									26	0.90	GR109R79 GRF109R79					4P	4.2	517	319	6.3			0.90	GR59R39 GRF59R39	4P					0.67	3219	1987			33	1.40	0.73	2960	1827	34	1.50	0.83	2591			1599	34	1.75	4.9	442			273	6.8	1.05	GR59R39 GRF59R39	4P	5.5	390	241	7.0	1.20	6.2	348	215	7.2	1.35	7.1	303	187	7.3	1.55	8.1	266	164	7.4	1.75	9.4	230	142	7.4			2.05	4.1	525			324	5.3	0.90	GR59R39 GRF59R39	4P	4.6	470	290	6.7	1.00	5.1	424	262	6.8	1.10																																																																																																																																																																																																																													
0.35	6082	3754	69	2.25			0.40	5350	3302	69	2.60			0.46	4695	2898	70	2.90	0.23	9452	5834	48	0.90	GR139R79 GRF139R79	4P	2.4	907	560			8.6	0.95	GR69R39 GRF69R39					4P	0.26									8288													5116		51	1.00			0.30	7232		4464	53	1.15		0.34	6364	3928	54	1.30		0.28	7629	4709	51	1.05	0.33	6510	4018	53	1.25	GR139R79 GRF139R79	4P	2.7	791	488	10	1.05	GR69R39 GRF69R39	4P			0.38	5693	3514	55	1.45					0.40	5408	3338			55	1.50					0.45					4745		2929	56		1.75			0.50	4306	2658	56	1.95	0.55	3908	2412	57	2.15	0.64	3358	2073	57	2.50	GR139R79 GRF139R79	4P	3.1	706	436	10	1.20	GR59R39 GRF59R39	4P			0.72	2979	1839											57	2.80											0.95			2263	1397	58	3.65	1.1	1986	1226	58	4.20	0.44	4923	3039	26	0.90					GR109R79 GRF109R79	4P			4.2									517	319							6.3	0.90	GR59R39 GRF59R39	4P			0.67							3219	1987	33			1.40	0.73	2960	1827	34	1.50	0.83	2591	1599			34	1.75	4.9	442	273			6.8	1.05	GR59R39 GRF59R39			4P	5.5	390	241	7.0	1.20	6.2	348	215	7.2	1.35	7.1	303	187	7.3	1.55	8.1	266	164	7.4	1.75	9.4	230	142	7.4	2.05	4.1	525	324			5.3	0.90	GR59R39 GRF59R39			4P	4.6	470	290	6.7	1.00	5.1	424	262	6.8	1.10																																																																																																																																																																																																																												
0.40	5350	3302	69	2.60			0.46	4695	2898	70	2.90			0.23	9452	5834	48	0.90	GR139R79 GRF139R79	4P	2.4	907	560			8.6	0.95	GR69R39 GRF69R39			4P	0.26							8288									5116						51	1.00	0.30	7232				4464		53	1.15	0.34	6364	3928	54		1.30	0.28	7629	4709	51	1.05	0.33	6510	4018	53	1.25	GR139R79 GRF139R79	4P	2.7	791	488	10	1.05	GR69R39 GRF69R39	4P			0.38	5693	3514	55	1.45					0.40	5408	3338	55	1.50					0.45	4745	2929			56	1.75					0.50		4306	2658		56		1.95	0.55		3908	2412	57	2.15	0.64	3358	2073	57	2.50	GR139R79 GRF139R79	4P	3.1	706	436	10	1.20	GR59R39 GRF59R39	4P			0.72	2979	1839	57	2.80					0.95	2263	1397											58	3.65											1.1			1986	1226	58	4.20	0.44	4923	3039	26	0.90	GR109R79 GRF109R79	4P	4.2	517	319									6.3									0.90	GR59R39 GRF59R39							4P	0.67					3219							1987	33	1.40			0.73	2960	1827	34	1.50	0.83	2591	1599	34			1.75	4.9	442	273	6.8			1.05	GR59R39 GRF59R39					4P	5.5	390	241	7.0	1.20	6.2	348	215	7.2	1.35	7.1	303	187	7.3	1.55	8.1	266	164	7.4	1.75	9.4	230	142	7.4	2.05	4.1	525	324	5.3	0.90	GR59R39 GRF59R39					4P	4.6	470	290	6.7	1.00	5.1	424	262	6.8	1.10																																																																																																																																																																																																																											
0.46	4695	2898	70	2.90																																																																																																																																																																																																																																																																																																																																																																																																																																																																																																																																																		
0.23	9452	5834	48	0.90			GR139R79 GRF139R79	4P	2.4	907	560			8.6	0.95	GR69R39 GRF69R39	4P																																																																																																																																																																																																																																																																																																																																																																																																																																																																																																																																					
0.26	8288	5116	51	1.00					0.30	7232	4464			53	1.15			0.34			6364	3928	54			1.30	0.28		7629	4709		51		1.05	0.33	6510	4018		53	1.25	GR139R79 GRF139R79	4P	2.7	791	488	10	1.05	GR69R39 GRF69R39	4P	0.38	5693	3514	55	1.45	0.40	5408	3338	55	1.50	0.45	4745	2929	56	1.75	0.50	4306	2658	56	1.95	0.55	3908	2412	57	2.15	0.64	3358	2073	57	2.50	GR139R79 GRF139R79			4P	3.1	706	436	10					1.20	GR59R39 GRF59R39	4P	0.72	2979					1839	57	2.80	0.95	2263			1397	58	3.65	1.1	1986	1226	58	4.20	0.44	4923	3039	26	0.90	GR109R79 GRF109R79	4P	4.2	517	319	6.3	0.90	GR59R39 GRF59R39	4P	0.67	3219	1987	33	1.40	0.73	2960	1827	34	1.50			0.83	2591	1599	34	1.75					4.9	442	273	6.8	1.05					GR59R39 GRF59R39	4P	5.5			390	241	7.0	1.20			6.2	348	215	7.2	1.35	7.1		303	187	7.3	1.55				8.1			266	164	7.4	1.75	9.4	230	142	7.4	2.05			4.1	525	324	5.3	0.90	GR59R39 GRF59R39	4P			4.6	470	290		6.7	1.00		5.1	424	262	6.8	1.10																																																																																																																																																																																																																																																																																																																											
0.30	7232	4464	53	1.15					0.34	6364	3928			54	1.30			0.28			7629	4709	51	1.05	0.33	6510	4018		53	1.25		GR139R79 GRF139R79	4P	2.7	791	488	10	1.05	GR69R39 GRF69R39	4P			0.38	5693	3514	55	1.45			0.40	5408	3338	55	1.50	0.45	4745	2929	56	1.75	0.50	4306	2658	56	1.95	0.55	3908	2412	57	2.15	0.64	3358	2073	57	2.50	GR139R79 GRF139R79	4P	3.1	706	436					10	1.20	GR59R39 GRF59R39	4P					0.72			2979	1839			57	2.80	0.95	2263	1397	58	3.65	1.1	1986	1226	58	4.20	0.44	4923	3039	26	0.90	GR109R79 GRF109R79	4P	4.2	517	319			6.3	0.90	GR59R39 GRF59R39	4P	0.67			3219	1987	33	1.40	0.73	2960	1827	34	1.50	0.83			2591	1599	34	1.75	4.9					442	273	6.8	1.05	GR59R39 GRF59R39							4P		5.5	390	241	7.0	1.20	6.2		348	215	7.2	1.35	7.1	303		187	7.3	1.55	8.1		266	164	7.4			1.75	9.4	230	142	7.4	2.05	4.1	525	324			5.3	0.90	GR59R39 GRF59R39	4P	4.6					470	290	6.7	1.00	5.1	424	262	6.8	1.10																																																																																																																																																																																																																																																																																																																														
0.34	6364	3928	54	1.30					0.28	7629	4709			51	1.05			0.33	6510	4018	53	1.25	GR139R79 GRF139R79	4P	2.7	791	488	10	1.05	GR69R39 GRF69R39	4P			0.38	5693	3514	55	1.45					0.40	5408	3338	55	1.50			0.45	4745	2929	56	1.75	0.50	4306	2658	56	1.95	0.55	3908	2412	57	2.15	0.64	3358	2073	57	2.50	GR139R79 GRF139R79	4P	3.1	706	436			10	1.20	GR59R39 GRF59R39					4P	0.72					2979	1839	57			2.80	0.95	2263	1397	58	3.65	1.1	1986	1226	58	4.20	0.44	4923	3039	26	0.90	GR109R79 GRF109R79	4P	4.2	517	319			6.3	0.90	GR59R39 GRF59R39			4P	0.67			3219			1987	33	1.40	0.73	2960	1827	34	1.50	0.83	2591			1599	34	1.75	4.9	442					273	6.8	1.05	GR59R39 GRF59R39									4P	5.5	390	241	7.0	1.20	6.2	348	215	7.2	1.35	7.1	303	187		7.3	1.55	8.1	266		164	7.4	1.75	9.4	230	142	7.4	2.05	4.1	525	324	5.3	0.90	GR59R39 GRF59R39			4P	4.6			470					290	6.7	1.00	5.1	424	262	6.8	1.10																																																																																																																																																																																																																																																																																																																															
0.28	7629	4709	51	1.05																																																																																																																																																																																																																																																																																																																																																																																																																																																																																																																																																		
0.33	6510	4018	53	1.25	GR139R79 GRF139R79	4P	2.7	791	488	10	1.05	GR69R39 GRF69R39	4P																																																																																																																																																																																																																																																																																																																																																																																																																																																																																																																																									
0.38	5693	3514	55	1.45			0.40	5408	3338	55	1.50			0.45	4745	2929	56	1.75	0.50	4306	2658	56			1.95	0.55	3908	2412	57					2.15	0.64	3358	2073	57					2.50	GR139R79 GRF139R79	4P	3.1	706			436	10	1.20	GR59R39 GRF59R39	4P	0.72	2979	1839	57	2.80	0.95	2263	1397	58	3.65	1.1	1986	1226	58	4.20			0.44	4923	3039			26	0.90			GR109R79 GRF109R79	4P			4.2			517	319	6.3	0.90	GR59R39 GRF59R39			4P	0.67	3219	1987	33	1.40	0.73	2960	1827	34	1.50	0.83	2591	1599	34	1.75			4.9	442	273			6.8	1.05					GR59R39 GRF59R39			4P			5.5	390	241	7.0	1.20	6.2	348	215	7.2	1.35	7.1	303	187	7.3	1.55	8.1	266	164	7.4	1.75	9.4	230	142	7.4			2.05	4.1	525	324					5.3	0.90	GR59R39 GRF59R39	4P	4.6	470	290	6.7	1.00	5.1	424	262	6.8	1.10																																																																																																																																																																																																																																																																																																																																																																					
0.40	5408	3338	55	1.50			0.45	4745	2929	56	1.75			0.50	4306	2658	56	1.95	0.55	3908	2412	57			2.15	0.64	3358	2073	57					2.50	GR139R79 GRF139R79	4P	3.1	706			436	10	1.20			GR59R39 GRF59R39	4P	0.72	2979	1839	57	2.80			0.95	2263	1397	58	3.65	1.1	1986	1226	58	4.20	0.44	4923	3039	26	0.90			GR109R79 GRF109R79	4P	4.2			517	319							6.3			0.90	GR59R39 GRF59R39	4P	0.67					3219	1987	33	1.40	0.73	2960	1827	34	1.50	0.83	2591	1599	34	1.75	4.9			442	273	6.8			1.05	GR59R39 GRF59R39											4P	5.5	390	241	7.0	1.20	6.2	348	215	7.2	1.35	7.1	303	187	7.3	1.55	8.1	266	164	7.4	1.75	9.4	230	142			7.4	2.05	4.1	525					324	5.3			0.90	GR59R39 GRF59R39	4P	4.6	470	290	6.7	1.00	5.1	424	262	6.8	1.10																																																																																																																																																																																																																																																																																																																																																																		
0.45	4745	2929	56	1.75			0.50	4306	2658	56	1.95			0.55	3908	2412	57	2.15	0.64	3358	2073	57			2.50	GR139R79 GRF139R79	4P	3.1	706			436	10	1.20			GR59R39 GRF59R39	4P	0.72	2979	1839	57	2.80					0.95	2263	1397	58	3.65			1.1	1986	1226	58	4.20	0.44	4923	3039	26	0.90	GR109R79 GRF109R79	4P	4.2	517	319					6.3			0.90	GR59R39 GRF59R39							4P			0.67			3219					1987	33	1.40	0.73	2960	1827	34	1.50	0.83	2591	1599	34	1.75	4.9	442			273	6.8	1.05			GR59R39 GRF59R39													4P	5.5	390	241	7.0	1.20	6.2	348	215	7.2	1.35	7.1	303	187	7.3	1.55	8.1	266	164	7.4	1.75	9.4	230			142	7.4	2.05	4.1					525	324			5.3			0.90	GR59R39 GRF59R39	4P	4.6	470	290	6.7	1.00	5.1	424	262	6.8	1.10																																																																																																																																																																																																																																																																																																																																																															
0.50	4306	2658	56	1.95			0.55	3908	2412	57	2.15			0.64	3358	2073	57	2.50	GR139R79 GRF139R79	4P	3.1	706	436	10	1.20			GR59R39 GRF59R39	4P	0.72	2979	1839	57	2.80					0.95	2263	1397	58	3.65					1.1	1986	1226	58	4.20			0.44	4923	3039	26	0.90	GR109R79 GRF109R79	4P	4.2	517	319			6.3	0.90	GR59R39 GRF59R39					4P			0.67			3219			1987					33			1.40		0.73	2960		1827	34	1.50	0.83	2591	1599	34	1.75	4.9	442	273	6.8	1.05	GR59R39 GRF59R39	4P			5.5	390	241						7.0	1.20						6.2	348			215	7.2	1.35	7.1	303	187	7.3	1.55	8.1	266	164	7.4	1.75	9.4	230	142	7.4	2.05	4.1	525	324	5.3			0.90	GR59R39 GRF59R39	4P	4.6	470	290			6.7	1.00	5.1	424	262			6.8			1.10																																																																																																																																																																																																																																																																																																																																																																								
0.55	3908	2412	57	2.15																																																																																																																																																																																																																																																																																																																																																																																																																																																																																																																																																		
0.64	3358	2073	57	2.50	GR139R79 GRF139R79	4P	3.1	706	436	10	1.20	GR59R39 GRF59R39	4P																																																																																																																																																																																																																																																																																																																																																																																																																																																																																																																																									
0.72	2979	1839	57	2.80			0.95	2263	1397	58	3.65			1.1	1986	1226	58	4.20			0.44	4923	3039	26	0.90					GR109R79 GRF109R79	4P	4.2	517	319					6.3	0.90	GR59R39 GRF59R39	4P	0.67					3219	1987	33	1.40	0.73			2960	1827	34	1.50	0.83			2591	1599	34			1.75	4.9		442	273				6.8	1.05	GR59R39 GRF59R39		4P	5.5			390	241		7.0	1.20	6.2			348		215	7.2		1.35	7.1	303	187	7.3	1.55	8.1	266	164	7.4	1.75	9.4	230			142	7.4	2.05	4.1	525	324	5.3			0.90	GR59R39 GRF59R39	4P	4.6		470	290		6.7	1.00			5.1	424	262	6.8	1.10																																																																																																																																																																																																																																																																																																																																																																																																														
0.95	2263	1397	58	3.65			1.1	1986	1226	58	4.20			0.44	4923	3039	26	0.90			GR109R79 GRF109R79	4P	4.2	517	319							6.3	0.90	GR59R39 GRF59R39					4P	0.67			3219					1987	33	1.40	0.73	2960			1827	34	1.50	0.83	2591			1599	34	1.75			4.9	442		273	6.8				1.05	GR59R39 GRF59R39				4P			5.5	390		241	7.0	1.20			6.2		348	215		7.2	1.35	7.1	303	187	7.3	1.55	8.1	266	164	7.4	1.75	9.4			230	142	7.4	2.05	4.1	525	324			5.3			0.90		GR59R39 GRF59R39	4P		4.6	470			290	6.7	1.00	5.1	424	262	6.8	1.10																																																																																																																																																																																																																																																																																																																																																																																																											
1.1	1986	1226	58	4.20			0.44	4923	3039	26	0.90			GR109R79 GRF109R79	4P	4.2	517	319					6.3	0.90	GR59R39 GRF59R39							4P	0.67							3219			1987	33	1.40			0.73	2960	1827	34	1.50	0.83	2591	1599	34	1.75	4.9	442			273	6.8	1.05			GR59R39 GRF59R39	4P		5.5	390				241						7.0	1.20	6.2	348		215	7.2	1.35			7.1	303	187	7.3	1.55	8.1	266	164	7.4	1.75	9.4	230	142	7.4	2.05	4.1	525	324			5.3	0.90	GR59R39 GRF59R39	4P	4.6	470	290			6.7			1.00	5.1			424	262	6.8			1.10																																																																																																																																																																																																																																																																																																																																																																																																																		
0.44	4923	3039	26	0.90			GR109R79 GRF109R79	4P	4.2	517	319					6.3	0.90	GR59R39 GRF59R39					4P	0.67									3219		1987	33				1.40			0.73	2960	1827	34	1.50	0.83	2591	1599	34	1.75	4.9	442	273	6.8	1.05	GR59R39 GRF59R39	4P			5.5	390	241						7.0	1.20	6.2	348		215						7.2	1.35	7.1	303		187	7.3	1.55	8.1	266	164	7.4	1.75	9.4	230	142	7.4	2.05	4.1	525	324	5.3	0.90	GR59R39 GRF59R39	4P	4.6	470	290			6.7	1.00			5.1	424	262		6.8	1.10																																																																																																																																																																																																																																																																																																																																																																																																																														
4.2	517	319	6.3	0.90					GR59R39 GRF59R39	4P																																																																																																																																																																																																																																																																																																																																																																																																																																																																																																																																												
0.67	3219	1987	33	1.40							0.73					2960	1827		34	1.50				0.83		2591	1599	34	1.75				4.9		442	273	6.8	1.05		GR59R39 GRF59R39			4P	5.5	390	241	7.0	1.20	6.2	348	215	7.2	1.35	7.1	303	187	7.3			1.55	8.1	266	164	7.4	1.75	9.4			230	142	7.4	2.05	4.1	525	324			5.3			0.90	GR59R39 GRF59R39	4P	4.6	470	290	6.7	1.00	5.1	424	262	6.8	1.10																																																																																																																																																																																																																																																																																																																																																																																																																																																									
0.73	2960	1827	34	1.50							0.83					2591	1599		34	1.75				4.9		442	273	6.8	1.05				GR59R39 GRF59R39		4P	5.5	390	241						7.0	1.20	6.2	348	215	7.2	1.35	7.1	303	187	7.3	1.55	8.1	266			164	7.4	1.75	9.4	230	142	7.4			2.05	4.1	525	324	5.3	0.90	GR59R39 GRF59R39			4P			4.6			470	290	6.7	1.00	5.1	424	262	6.8	1.10																																																																																																																																																																																																																																																																																																																																																																																																																																																										
0.83	2591	1599	34	1.75																																																																																																																																																																																																																																																																																																																																																																																																																																																																																																																																																		
4.9	442	273	6.8	1.05	GR59R39 GRF59R39	4P																																																																																																																																																																																																																																																																																																																																																																																																																																																																																																																																																
5.5	390	241	7.0	1.20							6.2	348	215			7.2	1.35		7.1	303	187	7.3		1.55		8.1	266	164	7.4	1.75	9.4			230		142	7.4	2.05	4.1		525	324		5.3	0.90	GR59R39 GRF59R39	4P	4.6	470	290	6.7	1.00	5.1	424	262	6.8	1.10																																																																																																																																																																																																																																																																																																																																																																																																																																																																																													
6.2	348	215	7.2	1.35							7.1	303	187	7.3	1.55	8.1	266		164	7.4	1.75	9.4		230	142	7.4	2.05	4.1	525	324	5.3	0.90		GR59R39 GRF59R39		4P	4.6	470	290		6.7	1.00		5.1	424			262	6.8	1.10																																																																																																																																																																																																																																																																																																																																																																																																																																																																																																				
7.1	303	187	7.3	1.55			8.1	266			164	7.4	1.75	9.4	230	142	7.4	2.05	4.1	525	324	5.3	0.90	GR59R39 GRF59R39	4P	4.6	470	290	6.7	1.00	5.1	424					262	6.8	1.10																																																																																																																																																																																																																																																																																																																																																																																																																																																																																																															
8.1	266	164	7.4	1.75			9.4	230	142	7.4	2.05	4.1	525	324	5.3	0.90	GR59R39 GRF59R39	4P	4.6	470	290	6.7	1.00			5.1	424	262	6.8	1.10																																																																																																																																																																																																																																																																																																																																																																																																																																																																																																																								
9.4	230	142	7.4	2.05			4.1	525	324	5.3	0.90	GR59R39 GRF59R39	4P	4.6	470	290			6.7	1.00	5.1	424	262			6.8	1.10																																																																																																																																																																																																																																																																																																																																																																																																																																																																																																																											
4.1	525	324	5.3	0.90			GR59R39 GRF59R39	4P																																																																																																																																																																																																																																																																																																																																																																																																																																																																																																																																														
4.6	470	290	6.7	1.00																																																																																																																																																																																																																																																																																																																																																																																																																																																																																																																																																		
5.1	424	262	6.8	1.10																																																																																																																																																																																																																																																																																																																																																																																																																																																																																																																																																		

选型参数表
(恒功率)
Selection Table
(Constant Power)

n_a [r/min]	M_a [N.m]	i	F_{Ra} [kN]	f_B	机型号 Type size	极数 Pole	n_a [r/min]	M_a [N.m]	i	F_{Ra} [kN]	f_B	机型号 Type size	极数 Pole																																																																																																																																																																																																																																																																																																																																																																																																																																																																																																																																																																																																																																																																	
0.25kW							0.25kW																																																																																																																																																																																																																																																																																																																																																																																																																																																																																																																																																																																																																																																																							
5.4	399	246	7.0	1.15	GR59R39	4P	7.1	319	186.89	7.1	1.30	GR59 GRF59	4P																																																																																																																																																																																																																																																																																																																																																																																																																																																																																																																																																																																																																																																																	
6.0	356	220	7.1	1.30	GRF59R39		5.8	369	228	2.9	0.85			GR49R39	4P	7.7	294	172.17	7.2	1.40	6.8	316	195	5.1	1.00	GRF49R39	7.3	295	182	5.2	1.05	GR39R19	4P	9.0	252	147.92	7.3	1.65	8.6	249	154	5.4	1.25	8.9	243	150	3.2	0.85	10	211	130	4.6	1.00	11	201	124	4.8	1.05	12	178	110	5.0	1.15	14	152	94	5.2	1.35	8.5	253	156	2.2	0.80	GR39R19	4P	12	182	106.58	7.5	2.30	9.9	219	135	4.5	0.95	GRF39R19	10.5	206	127	4.6	1.00	12.8	168	104	5.0	1.25	14.8	146	90	5.2	1.40	2.2	1027	289.74	27	3.00	GR99	8P	13	169	98.99	7.5	2.50	2.5	906	255.71	27	3.30	GRF99	2.7	855	241.25	27	3.50	3.0	766	216.28	27	4.00	2.6	878	247.61	19	1.80	GR89	8P	15	153	89.71	7.5	2.70	2.9	771	217.48	19	2.00	GRF89	3.1	732	206.6	19	2.20	3.5	647	182.55	19	2.40	3.8	590	166.59	11	1.40	GR79	8P	17	137	80.55	7.5	3.00	4.4	516	145.67	11	1.60	GRF79	4.6	490	138.39	11	1.70	5.3	430	121.42	12	1.90	4.4	521	195.24	11	1.55	GR79	6P	19	118	69.23	7.6	3.50	5.1	445	166.59	12	1.80	GRF79	5.8	389	145.67	12	2.10	GR79	4P	7.5	302	176.88	5.0	0.90	6.8	333	195.24	12	2.30	GRF79	8.0	284	166.59	12	2.70	9.1	248	145.67	12	3.10	9.6	236	138.39	12	3.20	11	207	121.42	12	3.70	4.0	560	158.14	7.7	1.10	GR69	8P	8.2	278	162.94	5.1	1.00	4.6	488	137.67	8.3	1.25	GRF69	5.0	457	128.97	8.5	1.35	5.6	404	113.94	8.9	1.50	4.3	533	199.81	7.8	1.10	GR69	6P	9.5	239	139.99	5.3	1.15	4.6	491	184.07	8.2	1.20	GRF69	5.4	422	158.14	8.7	1.40	6.2	367	137.67	9.0	1.60	6.6	344	128.97	9.1	1.70	7.5	304	113.94	9.3	1.95	8.0	282	105.83	9.4	2.10	6.7	341	199.81	9.1	1.65	7.2	314	184.07	9.2	1.80	GR49	4P	11	208	121.87	5.5	1.35	8.4	270	158.14	9.4	2.10	GRF49	9.7	235	137.67	10	2.40	10	220	128.97	10	2.50	12	194	113.94	10	2.90	13	180	105.83	10	3.10	14	164	95.91	10	3.40	15	147	86.11	10	3.80	4.5	499	186.89	6.1	0.90	GR59	6P	12	195	114.17	5.5	1.45	4.9	459	172.17	6.7	0.95	GRF59	5.7	395	147.92	6.9	1.10	6.6	344	128.77	7.1	1.30	7.0	322	120.63	7.2	1.35	8.0	284	106.58	7.3	1.55	8.6	264	98.99	7.3	1.70	2.2	1027	289.74	27	3.00	2.5	906	255.71	27	3.30	2.7	855	241.25	27	3.50	3.0	766	216.28	27	4.00	2.6	878	247.61	19	1.80	2.9	771	217.48	19	2.00	3.1	732	206.6	19	2.20	3.5	647	182.55	19	2.40	3.8	590	166.59	11	1.40	4.4	516	145.67	11	1.60	4.6	490	138.39	11	1.70	5.3	430	121.42	12	1.90	4.4	521	195.24	11	1.55	5.1	445	166.59	12	1.80	5.8	389	145.67	12	2.10	6.8	333	195.24	12	2.30	8.0	284	166.59	12	2.70	9.1	248	145.67	12	3.10	9.6	236	138.39	12	3.20	11	207	121.42	12	3.70	4.0	560	158.14	7.7	1.10	4.6	488	137.67	8.3	1.25	5.0	457	128.97	8.5	1.35	5.6	404	113.94	8.9	1.50	4.3	533	199.81	7.8	1.10	4.6	491	184.07	8.2	1.20	5.4	422	158.14	8.7	1.40	6.2	367	137.67	9.0	1.60	6.6	344	128.97	9.1	1.70	7.5	304	113.94	9.3	1.95	8.0	282	105.83	9.4	2.10	6.7	341	199.81	9.1	1.65	7.2	314	184.07	9.2	1.80	8.4	270	158.14	9.4	2.10	9.7	235	137.67	10	2.40	10	220	128.97	10	2.50	12	194	113.94	10	2.90	13	180	105.83	10	3.10	14	164	95.91	10	3.40	15	147	86.11	10	3.80	4.5	499	186.89	6.1	0.90	4.9	459	172.17	6.7	0.95	5.7	395	147.92	6.9	1.10	6.6	344	128.77	7.1	1.30	7.0	322	120.63	7.2	1.35	8.0	284	106.58	7.3	1.55	8.6	264	98.99	7.3	1.70											
5.8	369	228	2.9	0.85	GR49R39	4P	7.7	294	172.17	7.2	1.40																																																																																																																																																																																																																																																																																																																																																																																																																																																																																																																																																																																																																																																																			
6.8	316	195	5.1	1.00			GRF49R39	7.3	295	182	5.2			1.05	GR39R19	4P	9.0	252	147.92	7.3	1.65	8.6	249	154	5.4	1.25	8.9	243	150	3.2	0.85			10	211	130	4.6	1.00	11	201	124	4.8	1.05	12	178	110	5.0	1.15	14	152	94	5.2	1.35	8.5	253	156	2.2	0.80	GR39R19	4P	12	182	106.58	7.5	2.30	9.9	219	135	4.5	0.95	GRF39R19	10.5	206			127	4.6	1.00	12.8	168	104	5.0	1.25	14.8	146	90	5.2	1.40	2.2	1027	289.74	27	3.00	GR99	8P	13	169	98.99	7.5	2.50	2.5	906	255.71	27	3.30	GRF99			2.7	855	241.25	27	3.50	3.0	766	216.28	27	4.00	2.6	878	247.61	19	1.80	GR89	8P	15	153	89.71	7.5	2.70	2.9	771	217.48	19			2.00	GRF89	3.1	732	206.6	19	2.20	3.5	647	182.55	19	2.40	3.8	590	166.59	11	1.40	GR79	8P	17	137	80.55	7.5	3.00	4.4	516			145.67	11	1.60	GRF79	4.6	490	138.39	11	1.70	5.3	430	121.42	12	1.90	4.4	521	195.24	11	1.55	GR79	6P	19	118	69.23	7.6	3.50	5.1	445	166.59	12	1.80	GRF79	5.8	389	145.67	12	2.10	GR79	4P	7.5	302	176.88	5.0	0.90			6.8	333	195.24	12	2.30	GRF79	8.0	284	166.59	12	2.70	9.1	248	145.67	12	3.10	9.6	236	138.39	12	3.20	11	207	121.42	12	3.70	4.0	560	158.14	7.7	1.10	GR69	8P	8.2	278	162.94			5.1	1.00	4.6	488	137.67	8.3	1.25	GRF69	5.0	457	128.97	8.5	1.35	5.6	404	113.94	8.9	1.50	4.3	533	199.81	7.8	1.10	GR69	6P	9.5			239	139.99	5.3	1.15	4.6	491	184.07	8.2	1.20	GRF69	5.4	422	158.14	8.7	1.40	6.2	367	137.67	9.0	1.60	6.6	344	128.97	9.1	1.70	7.5	304	113.94	9.3	1.95	8.0	282	105.83	9.4	2.10	6.7	341	199.81	9.1	1.65	7.2	314	184.07	9.2	1.80	GR49			4P	11	208	121.87	5.5	1.35	8.4	270	158.14	9.4	2.10	GRF49	9.7	235	137.67	10	2.40	10	220	128.97	10	2.50	12	194	113.94	10	2.90	13	180	105.83	10	3.10	14	164	95.91	10	3.40	15	147	86.11	10	3.80	4.5	499	186.89	6.1			0.90	GR59	6P	12	195	114.17	5.5	1.45	4.9	459	172.17	6.7	0.95	GRF59	5.7	395	147.92	6.9	1.10	6.6	344	128.77	7.1	1.30	7.0	322	120.63	7.2	1.35	8.0	284	106.58	7.3	1.55	8.6	264	98.99	7.3	1.70	2.2	1027	289.74	27	3.00	2.5	906	255.71	27	3.30	2.7	855	241.25	27	3.50	3.0	766	216.28	27	4.00	2.6	878	247.61	19	1.80	2.9	771	217.48	19	2.00	3.1	732	206.6	19	2.20	3.5	647	182.55	19	2.40	3.8	590	166.59	11	1.40	4.4	516	145.67	11	1.60	4.6	490	138.39	11	1.70	5.3	430	121.42	12	1.90	4.4	521	195.24	11	1.55	5.1	445	166.59	12	1.80	5.8	389	145.67	12	2.10	6.8	333	195.24	12	2.30	8.0	284	166.59	12	2.70	9.1	248	145.67	12	3.10	9.6	236	138.39	12	3.20	11	207	121.42	12	3.70	4.0	560	158.14	7.7	1.10	4.6	488	137.67	8.3	1.25	5.0	457	128.97	8.5	1.35	5.6	404	113.94	8.9	1.50	4.3	533	199.81	7.8	1.10	4.6	491	184.07	8.2	1.20	5.4	422	158.14	8.7	1.40	6.2	367	137.67	9.0	1.60	6.6	344	128.97	9.1	1.70	7.5	304	113.94	9.3	1.95	8.0	282	105.83	9.4	2.10	6.7	341	199.81	9.1	1.65	7.2	314	184.07	9.2	1.80	8.4	270	158.14	9.4	2.10	9.7	235	137.67	10	2.40	10	220	128.97	10	2.50	12	194	113.94	10	2.90	13	180	105.83	10	3.10	14	164	95.91	10	3.40	15	147	86.11	10	3.80	4.5	499	186.89	6.1	0.90	4.9	459	172.17	6.7	0.95	5.7	395	147.92	6.9	1.10	6.6	344	128.77	7.1	1.30	7.0	322	120.63	7.2	1.35	8.0	284	106.58	7.3	1.55	8.6	264	98.99	7.3	1.70								
7.3	295	182	5.2	1.05	GR39R19	4P	9.0	252	147.92	7.3	1.65																																																																																																																																																																																																																																																																																																																																																																																																																																																																																																																																																																																																																																																																			
8.6	249	154	5.4	1.25			8.9	243	150	3.2	0.85			10			211	130	4.6	1.00	11	201	124	4.8	1.05	12	178	110	5.0	1.15	14			152	94	5.2	1.35	8.5	253	156	2.2	0.80	GR39R19	4P	12	182	106.58	7.5	2.30	9.9	219	135	4.5	0.95	GRF39R19	10.5	206	127			4.6	1.00	12.8	168	104	5.0	1.25	14.8	146	90	5.2	1.40	2.2			1027	289.74	27	3.00	GR99	8P	13	169	98.99	7.5	2.50	2.5	906	255.71	27	3.30	GRF99	2.7			855	241.25	27	3.50	3.0	766	216.28	27	4.00	2.6	878	247.61	19	1.80	GR89	8P	15	153	89.71	7.5	2.70	2.9	771	217.48	19	2.00	GRF89	3.1			732	206.6	19	2.20	3.5	647	182.55	19	2.40	3.8	590	166.59	11	1.40	GR79	8P	17	137	80.55	7.5	3.00	4.4	516	145.67	11	1.60	GRF79	4.6			490	138.39	11	1.70	5.3	430	121.42	12	1.90	4.4	521	195.24	11	1.55	GR79	6P	19	118	69.23	7.6	3.50	5.1	445	166.59	12	1.80	GRF79	5.8	389	145.67	12	2.10	GR79	4P	7.5	302	176.88	5.0	0.90	6.8	333	195.24	12	2.30	GRF79	8.0			284	166.59	12	2.70	9.1			248	145.67	12	3.10	9.6	236	138.39	12	3.20	11	207	121.42	12	3.70	4.0	560	158.14	7.7	1.10	GR69	8P	8.2	278	162.94	5.1	1.00	4.6	488	137.67	8.3	1.25			GRF69	5.0	457	128.97	8.5	1.35	5.6	404	113.94	8.9	1.50	4.3	533	199.81	7.8	1.10	GR69	6P	9.5	239	139.99	5.3	1.15	4.6	491	184.07	8.2	1.20			GRF69			5.4	422	158.14	8.7	1.40	6.2	367	137.67	9.0	1.60	6.6	344	128.97	9.1	1.70	7.5	304	113.94	9.3	1.95	8.0	282	105.83	9.4	2.10	6.7	341	199.81	9.1	1.65	7.2	314	184.07	9.2	1.80	GR49	4P	11	208	121.87	5.5	1.35	8.4	270	158.14					9.4	2.10	GRF49	9.7	235	137.67	10	2.40	10	220	128.97	10	2.50	12	194	113.94	10	2.90	13	180	105.83	10	3.10	14	164	95.91	10	3.40	15	147	86.11	10	3.80	4.5	499	186.89	6.1	0.90	GR59	6P	12	195	114.17	5.5	1.45			4.9			459	172.17	6.7	0.95	GRF59	5.7	395	147.92	6.9	1.10	6.6	344	128.77	7.1	1.30	7.0	322	120.63	7.2	1.35	8.0	284	106.58	7.3	1.55	8.6	264	98.99	7.3	1.70	2.2	1027	289.74	27	3.00	2.5	906	255.71	27	3.30	2.7	855	241.25	27	3.50	3.0	766	216.28	27	4.00	2.6	878	247.61	19	1.80	2.9	771	217.48	19	2.00	3.1	732	206.6	19	2.20	3.5	647	182.55	19	2.40	3.8	590	166.59	11	1.40	4.4	516	145.67	11	1.60	4.6	490	138.39	11	1.70	5.3	430	121.42	12	1.90	4.4	521	195.24	11	1.55	5.1	445	166.59	12	1.80	5.8	389	145.67	12	2.10	6.8	333	195.24	12	2.30	8.0	284	166.59	12	2.70	9.1	248	145.67	12	3.10	9.6	236	138.39	12	3.20	11	207	121.42	12	3.70	4.0	560	158.14	7.7	1.10	4.6	488	137.67	8.3	1.25	5.0	457	128.97	8.5	1.35	5.6	404	113.94	8.9	1.50	4.3	533	199.81	7.8	1.10	4.6	491	184.07	8.2	1.20	5.4	422	158.14	8.7	1.40	6.2	367	137.67	9.0	1.60	6.6	344	128.97	9.1	1.70	7.5	304	113.94	9.3	1.95	8.0	282	105.83	9.4	2.10	6.7	341	199.81	9.1	1.65	7.2	314	184.07	9.2	1.80	8.4	270	158.14	9.4	2.10	9.7	235	137.67	10	2.40	10	220	128.97	10	2.50	12	194	113.94	10	2.90	13	180	105.83	10	3.10	14	164	95.91	10	3.40	15	147	86.11	10	3.80	4.5	499	186.89	6.1	0.90	4.9	459	172.17	6.7	0.95	5.7	395	147.92	6.9	1.10	6.6	344	128.77	7.1	1.30	7.0	322	120.63	7.2	1.35	8.0	284	106.58	7.3	1.55	8.6	264	98.99	7.3	1.70														
8.9	243	150	3.2	0.85			10	211	130	4.6	1.00			11			201	124	4.8	1.05	12	178	110	5.0	1.15	14	152	94	5.2	1.35	8.5			253	156	2.2	0.80	GR39R19	4P	12	182	106.58			7.5	2.30	9.9	219	135	4.5	0.95	GRF39R19	10.5	206	127	4.6	1.00	12.8			168	104	5.0	1.25	14.8	146	90	5.2	1.40	2.2	1027	289.74	27			3.00	GR99	8P	13			169	98.99	7.5	2.50	2.5	906	255.71	27	3.30	GRF99	2.7	855			241.25	27	3.50	3.0	766	216.28	27	4.00	2.6	878	247.61	19	1.80	GR89			8P	15	153	89.71	7.5	2.70	2.9	771	217.48	19	2.00	GRF89			3.1	732	206.6	19	2.20	3.5	647	182.55	19	2.40	3.8	590	166.59	11			1.40	GR79	8P	17	137	80.55	7.5	3.00	4.4	516	145.67	11			1.60	GRF79	4.6	490	138.39	11	1.70	5.3	430	121.42	12	1.90	4.4	521			195.24	11	1.55	GR79	6P	19	118	69.23	7.6	3.50	5.1	445	166.59	12	1.80	GRF79			5.8	389	145.67	12	2.10	GR79	4P	7.5	302	176.88	5.0	0.90			6.8	333	195.24	12	2.30			GRF79	8.0	284	166.59	12	2.70	9.1	248	145.67	12	3.10	9.6	236	138.39	12	3.20	11	207	121.42			12	3.70	4.0	560	158.14	7.7	1.10	GR69	8P	8.2			278	162.94	5.1	1.00	4.6	488	137.67	8.3	1.25	GRF69	5.0	457	128.97	8.5	1.35	5.6			404	113.94	8.9	1.50	4.3	533	199.81	7.8	1.10	GR69			6P			9.5	239	139.99	5.3	1.15	4.6	491	184.07	8.2	1.20	GRF69	5.4	422	158.14	8.7	1.40	6.2	367	137.67	9.0	1.60	6.6	344	128.97	9.1	1.70	7.5	304	113.94	9.3	1.95	8.0	282	105.83	9.4			2.10	6.7	341	199.81	9.1	1.65	7.2	314					184.07	9.2	1.80	GR49	4P	11	208	121.87	5.5	1.35	8.4	270	158.14	9.4	2.10	GRF49	9.7	235	137.67	10	2.40	10	220	128.97	10	2.50	12	194	113.94	10	2.90	13	180	105.83	10	3.10	14	164			95.91	10	3.40	15	147			86.11			10	3.80	4.5	499	186.89	6.1	0.90	GR59	6P	12	195	114.17	5.5	1.45	4.9	459	172.17	6.7	0.95	GRF59	5.7	395	147.92	6.9	1.10	6.6	344	128.77	7.1	1.30	7.0	322	120.63	7.2	1.35	8.0	284	106.58	7.3	1.55	8.6	264	98.99	7.3	1.70	2.2	1027	289.74	27	3.00	2.5	906	255.71	27	3.30	2.7	855	241.25	27	3.50	3.0	766	216.28	27	4.00	2.6	878	247.61	19	1.80	2.9	771	217.48	19	2.00	3.1	732	206.6	19	2.20	3.5	647	182.55	19	2.40	3.8	590	166.59	11	1.40	4.4	516	145.67	11	1.60	4.6	490	138.39	11	1.70	5.3	430	121.42	12	1.90	4.4	521	195.24	11	1.55	5.1	445	166.59	12	1.80	5.8	389	145.67	12	2.10	6.8	333	195.24	12	2.30	8.0	284	166.59	12	2.70	9.1	248	145.67	12	3.10	9.6	236	138.39	12	3.20	11	207	121.42	12	3.70	4.0	560	158.14	7.7	1.10	4.6	488	137.67	8.3	1.25	5.0	457	128.97	8.5	1.35	5.6	404	113.94	8.9	1.50	4.3	533	199.81	7.8	1.10	4.6	491	184.07	8.2	1.20	5.4	422	158.14	8.7	1.40	6.2	367	137.67	9.0	1.60	6.6	344	128.97	9.1	1.70	7.5	304	113.94	9.3	1.95	8.0	282	105.83	9.4	2.10	6.7	341	199.81	9.1	1.65	7.2	314	184.07	9.2	1.80	8.4	270	158.14	9.4	2.10	9.7	235	137.67	10	2.40	10	220	128.97	10	2.50	12	194	113.94	10	2.90	13	180	105.83	10	3.10	14	164	95.91	10	3.40	15	147	86.11	10	3.80	4.5	499	186.89	6.1	0.90	4.9	459	172.17	6.7	0.95	5.7	395	147.92	6.9	1.10	6.6	344	128.77	7.1	1.30	7.0	322	120.63	7.2	1.35	8.0	284	106.58	7.3	1.55	8.6	264	98.99	7.3
10	211	130	4.6	1.00			11	201	124	4.8	1.05			12			178	110	5.0	1.15	14	152	94	5.2	1.35	8.5	253	156	2.2	0.80	GR39R19			4P	12	182	106.58			7.5	2.30	9.9			219	135	4.5	0.95	GRF39R19	10.5	206	127	4.6	1.00	12.8	168	104	5.0			1.25	14.8	146	90	5.2	1.40	2.2	1027	289.74	27	3.00	GR99	8P	13	169	98.99			7.5			2.50	2.5	906	255.71	27	3.30	GRF99	2.7	855	241.25	27	3.50	3.0	766	216.28	27	4.00	2.6	878	247.61	19	1.80	GR89	8P	15	153	89.71					7.5	2.70	2.9	771	217.48	19	2.00	GRF89	3.1	732	206.6	19	2.20	3.5	647	182.55	19	2.40	3.8	590	166.59	11	1.40	GR79	8P	17	137			80.55			7.5	3.00	4.4	516	145.67	11	1.60	GRF79	4.6	490	138.39	11	1.70	5.3	430	121.42	12	1.90	4.4	521	195.24	11	1.55	GR79	6P	19	118	69.23	7.6	3.50			5.1	445	166.59	12	1.80	GRF79	5.8	389	145.67	12	2.10			GR79	4P	7.5	302	176.88			5.0	0.90	6.8	333	195.24			12	2.30	GRF79	8.0	284	166.59	12	2.70	9.1	248	145.67	12	3.10	9.6	236	138.39	12	3.20	11	207	121.42	12	3.70	4.0	560	158.14			7.7	1.10	GR69	8P	8.2	278	162.94			5.1	1.00	4.6	488	137.67	8.3	1.25	GRF69	5.0	457	128.97	8.5	1.35	5.6	404	113.94	8.9	1.50	4.3			533	199.81	7.8	1.10	GR69	6P	9.5	239	139.99							5.3	1.15	4.6	491	184.07	8.2	1.20	GRF69	5.4	422	158.14	8.7	1.40	6.2	367	137.67	9.0	1.60	6.6	344	128.97	9.1	1.70	7.5	304	113.94	9.3	1.95	8.0	282	105.83	9.4	2.10	6.7	341			199.81	9.1	1.65	7.2	314	184.07	9.2	1.80					GR49	4P	11			208	121.87	5.5	1.35	8.4	270	158.14	9.4	2.10	GRF49	9.7	235	137.67	10	2.40	10	220	128.97	10	2.50	12	194	113.94	10	2.90	13	180	105.83	10	3.10	14	164	95.91			10	3.40	15	147	86.11			10			3.80	4.5	499	186.89	6.1	0.90	GR59			6P	12	195	114.17	5.5	1.45	4.9	459	172.17	6.7	0.95	GRF59	5.7	395	147.92	6.9	1.10	6.6	344	128.77	7.1	1.30	7.0	322	120.63	7.2	1.35	8.0	284	106.58	7.3	1.55	8.6	264	98.99	7.3	1.70	2.2	1027	289.74	27	3.00	2.5	906	255.71	27	3.30	2.7	855	241.25	27	3.50	3.0	766	216.28	27	4.00	2.6	878	247.61	19	1.80	2.9	771	217.48	19	2.00	3.1	732	206.6	19	2.20	3.5	647	182.55	19	2.40	3.8	590	166.59	11	1.40	4.4	516	145.67	11	1.60	4.6	490	138.39	11	1.70	5.3	430	121.42	12	1.90	4.4	521	195.24	11	1.55	5.1	445	166.59	12	1.80	5.8	389	145.67	12	2.10	6.8	333	195.24	12	2.30	8.0	284	166.59	12	2.70	9.1	248	145.67	12	3.10	9.6	236	138.39	12	3.20	11	207	121.42	12	3.70	4.0	560	158.14	7.7	1.10	4.6	488	137.67	8.3	1.25	5.0	457	128.97	8.5	1.35	5.6	404	113.94	8.9	1.50	4.3	533	199.81	7.8	1.10	4.6	491	184.07	8.2	1.20	5.4	422	158.14	8.7	1.40	6.2	367	137.67	9.0	1.60	6.6	344	128.97	9.1	1.70	7.5	304	113.94	9.3	1.95	8.0	282	105.83	9.4	2.10	6.7	341	199.81	9.1	1.65	7.2	314	184.07	9.2	1.80	8.4	270	158.14	9.4	2.10	9.7	235	137.67	10	2.40	10	220	128.97	10	2.50	12	194	113.94	10	2.90	13	180	105.83	10	3.10	14	164	95.91	10	3.40	15	147	86.11	10	3.80	4.5	499	186.89	6.1	0.90	4.9	459	172.17	6.7	0.95	5.7	395	147.92	6.9	1.10	6.6	344	128.77	7.1	1.30	7.0	322	120.63	7.2	1.35	8.0	284	106.58	7.3	1.55	8.6	264	98.99
11	201	124	4.8	1.05			12	178	110	5.0	1.15			14			152	94	5.2	1.35	8.5	253	156	2.2	0.80	GR39R19	4P	12	182	106.58					7.5	2.30	9.9			219	135	4.5			0.95	GRF39R19	10.5	206	127	4.6	1.00	12.8	168	104	5.0	1.25	14.8	146			90	5.2	1.40	2.2	1027	289.74	27	3.00	GR99	8P	13			169	98.99	7.5			2.50			2.5	906	255.71	27	3.30	GRF99	2.7	855	241.25	27	3.50	3.0	766	216.28	27	4.00	2.6	878	247.61	19	1.80	GR89			8P	15	153					89.71	7.5	2.70	2.9	771	217.48	19	2.00	GRF89	3.1	732	206.6	19	2.20	3.5	647	182.55	19	2.40	3.8	590	166.59	11			1.40	GR79			8P			17	137	80.55	7.5	3.00	4.4	516	145.67	11	1.60	GRF79	4.6	490	138.39	11	1.70	5.3	430	121.42	12	1.90	4.4	521			195.24	11	1.55	GR79	6P	19	118	69.23	7.6	3.50	5.1	445	166.59	12	1.80	GRF79	5.8	389					145.67	12	2.10			GR79	4P	7.5	302	176.88			5.0	0.90	6.8	333	195.24	12	2.30	GRF79	8.0	284	166.59	12	2.70	9.1	248	145.67	12	3.10	9.6	236	138.39	12	3.20	11	207	121.42			12	3.70			4.0	560	158.14			7.7	1.10	GR69	8P	8.2	278	162.94	5.1	1.00	4.6	488	137.67	8.3	1.25	GRF69	5.0	457	128.97	8.5			1.35	5.6	404	113.94			8.9	1.50	4.3							533	199.81	7.8	1.10	GR69	6P	9.5	239	139.99	5.3	1.15	4.6	491	184.07	8.2	1.20	GRF69	5.4	422	158.14	8.7	1.40	6.2	367	137.67	9.0	1.60	6.6	344	128.97	9.1	1.70	7.5	304	113.94			9.3	1.95	8.0	282	105.83	9.4	2.10	6.7							341			199.81	9.1	1.65	7.2	314	184.07	9.2	1.80	GR49	4P	11	208	121.87	5.5	1.35	8.4	270	158.14	9.4	2.10	GRF49	9.7	235	137.67	10	2.40	10	220	128.97	10	2.50	12	194			113.94	10	2.90	13	180			105.83			10	3.10	14	164	95.91	10					3.40	15	147	86.11	10	3.80	4.5	499	186.89	6.1	0.90	GR59	6P	12	195	114.17	5.5	1.45	4.9	459	172.17	6.7	0.95	GRF59	5.7	395	147.92	6.9	1.10	6.6	344	128.77	7.1	1.30	7.0	322	120.63	7.2	1.35	8.0	284	106.58	7.3	1.55	8.6	264	98.99	7.3	1.70	2.2	1027	289.74	27	3.00	2.5	906	255.71	27	3.30	2.7	855	241.25	27	3.50	3.0	766	216.28	27	4.00	2.6	878	247.61	19	1.80	2.9	771	217.48	19	2.00	3.1	732	206.6	19	2.20	3.5	647	182.55	19	2.40	3.8	590	166.59	11	1.40	4.4	516	145.67	11	1.60	4.6	490	138.39	11	1.70	5.3	430	121.42	12	1.90	4.4	521	195.24	11	1.55	5.1	445	166.59	12	1.80	5.8	389	145.67	12	2.10	6.8	333	195.24	12	2.30	8.0	284	166.59	12	2.70	9.1	248	145.67	12	3.10	9.6	236	138.39	12	3.20	11	207	121.42	12	3.70	4.0	560	158.14	7.7	1.10	4.6	488	137.67	8.3	1.25	5.0	457	128.97	8.5	1.35	5.6	404	113.94	8.9	1.50	4.3	533	199.81	7.8	1.10	4.6	491	184.07	8.2	1.20	5.4	422	158.14	8.7	1.40	6.2	367	137.67	9.0	1.60	6.6	344	128.97	9.1	1.70	7.5	304	113.94	9.3	1.95	8.0	282	105.83	9.4	2.10	6.7	341	199.81	9.1	1.65	7.2	314	184.07	9.2	1.80	8.4	270	158.14	9.4	2.10	9.7	235	137.67	10	2.40	10	220	128.97	10	2.50	12	194	113.94	10	2.90	13	180	105.83	10	3.10	14	164	95.91	10	3.40	15	147	86.11	10	3.80	4.5	499	186.89	6.1	0.90	4.9	459	172.17	6.7	0.95	5.7	395	147.92	6.9	1.10	6.6	344	128.77	7.1	1.30
12	178	110	5.0	1.15			14	152	94	5.2	1.35			8.5			253	156	2.2	0.80	GR39R19	4P	12	182	106.58			7.5	2.30	9.9		219	135		4.5	0.95	GRF39R19			10.5	206	127			4.6	1.00	12.8	168	104	5.0	1.25	14.8	146	90	5.2	1.40	2.2	1027	289.74	27	3.00	GR99	8P	13	169	98.99	7.5	2.50			2.5			906	255.71	27			3.30	GRF99	2.7	855	241.25	27	3.50	3.0	766	216.28	27	4.00	2.6	878	247.61	19	1.80	GR89	8P	15	153	89.71	7.5	2.70					2.9	771		217.48	19		2.00	GRF89	3.1	732	206.6	19	2.20	3.5	647	182.55	19	2.40	3.8	590	166.59	11	1.40	GR79	8P	17	137	80.55	7.5			3.00		4.4	516				145.67	11	1.60	GRF79	4.6	490	138.39	11	1.70	5.3	430	121.42	12	1.90	4.4	521	195.24	11	1.55	GR79	6P	19	118	69.23	7.6	3.50	5.1	445			166.59	12	1.80	GRF79	5.8	389	145.67	12	2.10	GR79	4P	7.5	302					176.88	5.0	0.90					6.8	333	195.24	12	2.30	GRF79	8.0	284	166.59	12	2.70	9.1	248	145.67	12	3.10	9.6	236	138.39	12	3.20	11	207	121.42	12	3.70	4.0	560	158.14	7.7	1.10	GR69	8P	8.2	278			162.94	5.1	1.00			4.6	488			137.67	8.3	1.25	GRF69	5.0	457	128.97	8.5	1.35	5.6	404	113.94	8.9	1.50	4.3			533	199.81	7.8	1.10			GR69	6P	9.5					239	139.99	5.3	1.15	4.6	491			184.07	8.2	1.20	GRF69	5.4	422	158.14	8.7	1.40	6.2	367	137.67	9.0	1.60	6.6	344	128.97	9.1	1.70	7.5	304	113.94	9.3	1.95	8.0	282	105.83	9.4	2.10			6.7	341	199.81	9.1	1.65	7.2	314	184.07							9.2			1.80	GR49	4P	11	208	121.87	5.5	1.35			8.4	270	158.14	9.4	2.10	GRF49	9.7	235	137.67	10	2.40	10	220	128.97	10	2.50	12	194	113.94	10	2.90	13	180			105.83	10	3.10	14	164	95.91	10	3.40			15	147	86.11	10	3.80	4.5					499	186.89	6.1	0.90	GR59	6P	12	195	114.17	5.5	1.45			4.9	459	172.17	6.7	0.95	GRF59	5.7	395	147.92	6.9	1.10	6.6	344	128.77	7.1	1.30	7.0	322	120.63	7.2	1.35	8.0	284	106.58	7.3	1.55	8.6	264	98.99	7.3	1.70	2.2	1027	289.74	27	3.00	2.5	906	255.71	27	3.30	2.7	855	241.25	27	3.50	3.0	766	216.28	27	4.00	2.6	878	247.61	19	1.80	2.9	771	217.48	19	2.00	3.1	732	206.6	19	2.20	3.5	647	182.55	19	2.40	3.8	590	166.59	11	1.40	4.4	516	145.67	11	1.60	4.6	490	138.39	11	1.70	5.3	430	121.42	12	1.90	4.4	521	195.24	11	1.55	5.1	445	166.59	12	1.80	5.8	389	145.67	12	2.10	6.8	333	195.24	12	2.30	8.0	284	166.59	12	2.70	9.1	248	145.67	12	3.10	9.6	236	138.39	12	3.20	11	207	121.42	12	3.70	4.0	560	158.14	7.7	1.10	4.6	488	137.67	8.3	1.25	5.0	457	128.97	8.5	1.35	5.6	404	113.94	8.9	1.50	4.3	533	199.81	7.8	1.10	4.6	491	184.07	8.2	1.20	5.4	422	158.14	8.7	1.40	6.2	367	137.67	9.0	1.60	6.6	344	128.97	9.1	1.70	7.5	304	113.94	9.3	1.95	8.0	282	105.83	9.4	2.10	6.7	341	199.81	9.1	1.65	7.2	314	184.07	9.2	1.80	8.4	270	158.14	9.4	2.10	9.7	235	137.67	10	2.40	10	220	128.97	10	2.50	12	194	113.94	10	2.90	13	180	105.83	10	3.10	14	164	95.91	10	3.40	15	147	86.11	10	3.80	4.5	499	186.89	6.1	0.90	4.9	459	172.17	6.7	0.95	5.7	395	147.92	6.9	1.10	6.6	344	128.77	7.1	1.30	7.0	322	120.63	7.2	1.35
14	152	94	5.2	1.35			8.5	253	156	2.2	0.80	GR39R19	4P	12			182	106.58	7.5	2.30			9.9	219	135			4.5	0.95	GRF39R19		10.5	206		127	4.6	1.00			12.8	168	104			5.0	1.25	14.8	146	90	5.2	1.40	2.2	1027	289.74	27	3.00	GR99	8P	13	169	98.99			7.5	2.50	2.5	906	255.71			27			3.30	GRF99	2.7	855	241.25	27	3.50	3.0	766	216.28	27	4.00	2.6	878	247.61	19	1.80	GR89	8P	15	153	89.71			7.5	2.70	2.9	771	217.48					19	2.00	GRF89	3.1	732	206.6	19	2.20	3.5	647	182.55	19	2.40	3.8	590	166.59	11	1.40	GR79	8P	17	137	80.55			7.5	3.00	4.4	516			145.67		11	1.60		GRF79	4.6	490	138.39	11	1.70	5.3	430	121.42	12	1.90	4.4	521	195.24	11	1.55	GR79	6P	19	118	69.23			7.6	3.50	5.1	445	166.59	12	1.80	GRF79	5.8	389	145.67	12	2.10	GR79	4P	7.5	302	176.88			5.0	0.90					6.8	333	195.24					12	2.30	GRF79	8.0	284	166.59	12	2.70	9.1	248	145.67	12	3.10	9.6	236	138.39	12	3.20	11	207	121.42	12	3.70	4.0	560	158.14	7.7	1.10	GR69	8P	8.2			278	162.94			5.1	1.00	4.6	488	137.67	8.3	1.25			GRF69	5.0	457	128.97	8.5	1.35	5.6	404	113.94	8.9	1.50	4.3	533	199.81	7.8			1.10	GR69	6P	9.5					239					139.99	5.3	1.15	4.6	491	184.07			8.2	1.20	GRF69	5.4	422	158.14	8.7	1.40	6.2	367	137.67	9.0	1.60	6.6	344	128.97	9.1	1.70	7.5	304	113.94	9.3	1.95	8.0	282	105.83	9.4	2.10	6.7			341	199.81	9.1	1.65	7.2	314	184.07	9.2							1.80			GR49			4P	11	208	121.87	5.5			1.35	8.4	270	158.14	9.4	2.10	GRF49	9.7	235	137.67	10	2.40	10	220	128.97	10	2.50	12	194	113.94	10	2.90	13			180	105.83	10	3.10	14	164	95.91	10			3.40	15	147	86.11	10	3.80					4.5	499	186.89	6.1			0.90	GR59	6P	12	195			114.17	5.5	1.45	4.9	459	172.17	6.7	0.95	GRF59	5.7	395	147.92	6.9	1.10	6.6	344	128.77	7.1	1.30	7.0	322	120.63	7.2	1.35	8.0	284	106.58	7.3	1.55	8.6	264	98.99	7.3	1.70	2.2	1027	289.74	27	3.00	2.5	906	255.71	27	3.30	2.7	855	241.25	27	3.50	3.0	766	216.28	27	4.00	2.6	878	247.61	19	1.80	2.9	771	217.48	19	2.00	3.1	732	206.6	19	2.20	3.5	647	182.55	19	2.40	3.8	590	166.59	11	1.40	4.4	516	145.67	11	1.60	4.6	490	138.39	11	1.70	5.3	430	121.42	12	1.90	4.4	521	195.24	11	1.55	5.1	445	166.59	12	1.80	5.8	389	145.67	12	2.10	6.8	333	195.24	12	2.30	8.0	284	166.59	12	2.70	9.1	248	145.67	12	3.10	9.6	236	138.39	12	3.20	11	207	121.42	12	3.70	4.0	560	158.14	7.7	1.10	4.6	488	137.67	8.3	1.25	5.0	457	128.97	8.5	1.35	5.6	404	113.94	8.9	1.50	4.3	533	199.81	7.8	1.10	4.6	491	184.07	8.2	1.20	5.4	422	158.14	8.7	1.40	6.2	367	137.67	9.0	1.60	6.6	344	128.97	9.1	1.70	7.5	304	113.94	9.3	1.95	8.0	282	105.83	9.4	2.10	6.7	341	199.81	9.1	1.65	7.2	314	184.07	9.2	1.80	8.4	270	158.14	9.4	2.10	9.7	235	137.67	10	2.40	10	220	128.97	10	2.50	12	194	113.94	10	2.90	13	180	105.83	10	3.10	14	164	95.91	10	3.40	15	147	86.11	10	3.80	4.5	499	186.89	6.1	0.90	4.9	459	172.17	6.7	0.95	5.7	395	147.92	6.9	1.10	6.6	344	128.77	7.1	1.30	7.0	322
8.5	253	156	2.2	0.80			GR39R19	4P	12	182	106.58			7.5	2.30																																																																																																																																																																																																																																																																																																																																																																																																																																																																																																																																																																																																																																																															
9.9	219	135	4.5	0.95	GRF39R19	10.5			206	127	4.6			1.00	12.8	168	104	5.0	1.25	14.8			146	90	5.2			1.40	2.2	1027		289.74	27		3.00	GR99	8P	13	169	98.99	7.5	2.50	2.5	906	255.71	27	3.30	GRF99	2.7	855	241.25	27	3.50	3.0	766	216.28			27	4.00	2.6			878	247.61	19	1.80	GR89	8P	15	153	89.71	7.5	2.70	2.9	771	217.48	19	2.00	GRF89	3.1	732	206.6	19	2.20	3.5	647	182.55	19	2.40			3.8	590	166.59			11	1.40	GR79	8P	17	137	80.55	7.5	3.00	4.4	516	145.67	11	1.60	GRF79	4.6	490	138.39	11	1.70	5.3	430	121.42	12	1.90	4.4	521			195.24	11	1.55			GR79	6P	19	118	69.23	7.6	3.50	5.1	445	166.59	12	1.80	GRF79	5.8	389	145.67	12	2.10	GR79	4P	7.5	302	176.88	5.0	0.90	6.8	333	195.24	12	2.30	GRF79	8.0	284	166.59	12	2.70	9.1	248	145.67	12	3.10	9.6	236	138.39	12	3.20	11			207	121.42	12			3.70	4.0	560	158.14			7.7	1.10	GR69	8P	8.2			278	162.94	5.1	1.00	4.6	488	137.67	8.3	1.25	GRF69	5.0	457	128.97	8.5	1.35	5.6	404	113.94	8.9	1.50	4.3	533	199.81	7.8	1.10	GR69	6P	9.5			239			139.99	5.3	1.15	4.6	491	184.07	8.2	1.20	GRF69	5.4	422	158.14	8.7	1.40	6.2	367	137.67	9.0	1.60	6.6	344	128.97	9.1	1.70	7.5	304	113.94	9.3			1.95			8.0					282		105.83	9.4		2.10	6.7	341	199.81	9.1	1.65			7.2	314	184.07	9.2	1.80	GR49	4P	11	208	121.87	5.5	1.35	8.4	270	158.14	9.4	2.10	GRF49	9.7	235	137.67	10	2.40	10	220	128.97	10	2.50	12			194	113.94	10	2.90	13	180	105.83	10		3.10	14				164							95.91	10	3.40	15			147	86.11	10	3.80	4.5	499	186.89	6.1	0.90	GR59	6P	12	195	114.17	5.5	1.45	4.9	459	172.17	6.7	0.95	GRF59	5.7			395	147.92	6.9	1.10	6.6	344	128.77	7.1	1.30	7.0	322	120.63	7.2	1.35	8.0	284					106.58	7.3	1.55	8.6			264			98.99	7.3			1.70	2.2	1027	289.74	27	3.00	2.5	906	255.71	27	3.30	2.7	855	241.25	27	3.50	3.0	766	216.28	27	4.00	2.6	878	247.61	19	1.80	2.9	771	217.48	19	2.00	3.1	732	206.6	19	2.20	3.5	647	182.55	19	2.40	3.8	590	166.59	11	1.40	4.4	516	145.67	11	1.60	4.6	490	138.39	11	1.70	5.3	430	121.42	12	1.90	4.4	521	195.24	11	1.55	5.1	445	166.59	12	1.80	5.8	389	145.67	12	2.10	6.8	333	195.24	12	2.30	8.0	284	166.59	12	2.70	9.1	248	145.67	12	3.10	9.6	236	138.39	12	3.20	11	207	121.42	12	3.70	4.0	560	158.14	7.7	1.10	4.6	488	137.67	8.3	1.25	5.0	457	128.97	8.5	1.35	5.6	404	113.94	8.9	1.50	4.3	533	199.81	7.8	1.10	4.6	491	184.07	8.2	1.20	5.4	422	158.14	8.7	1.40	6.2	367	137.67	9.0	1.60	6.6	344	128.97	9.1	1.70	7.5	304	113.94	9.3	1.95	8.0	282	105.83	9.4	2.10	6.7	341	199.81	9.1	1.65	7.2	314	184.07	9.2	1.80	8.4	270	158.14	9.4	2.10	9.7	235	137.67	10	2.40	10	220	128.97	10	2.50	12	194	113.94	10	2.90	13	180	105.83	10	3.10	14	164	95.91	10	3.40	15	147	86.11	10	3.80	4.5	499	186.89	6.1	0.90	4.9	459	172.17	6.7	0.95	5.7	395	147.92	6.9	1.10	6.6	344	128.77	7.1	1.30	7.0	322	120.63	7.2	1.35	8.0	284	106.58	7.3	1.55	8.6	264	98.99	7.3	1.70																				
10.5	206	127	4.6	1.00	12.8	168			104	5.0	1.25			14.8	146	90	5.2	1.40	2.2	1027			289.74	27	3.00			GR99	8P	13	169	98.99	7.5	2.50	2.5			906	255.71	27	3.30	GRF99	2.7	855	241.25	27	3.50	3.0	766	216.28	27	4.00	2.6	878	247.61	19			1.80	GR89	8P	15	153	89.71	7.5	2.70	2.9			771	217.48	19	2.00	GRF89	3.1	732	206.6	19	2.20	3.5	647	182.55	19	2.40	3.8	590	166.59	11	1.40	GR79			8P	17	137	80.55	7.5	3.00	4.4			516	145.67	11	1.60	GRF79	4.6	490	138.39	11	1.70	5.3	430	121.42	12	1.90	4.4	521	195.24	11	1.55	GR79	6P	19			118	69.23	7.6	3.50	5.1			445	166.59	12	1.80	GRF79	5.8	389	145.67	12	2.10	GR79	4P	7.5	302	176.88	5.0			0.90	6.8	333	195.24	12	2.30	GRF79	8.0	284	166.59	12	2.70	9.1	248	145.67	12	3.10	9.6	236	138.39	12	3.20	11	207	121.42	12	3.70			4.0	560	158.14			7.7	1.10	GR69	8P	8.2	278	162.94	5.1			1.00			4.6	488	137.67	8.3	1.25	GRF69	5.0	457	128.97	8.5	1.35	5.6	404	113.94	8.9	1.50	4.3	533	199.81	7.8	1.10	GR69	6P	9.5	239			139.99			5.3	1.15	4.6	491	184.07	8.2	1.20	GRF69	5.4	422	158.14	8.7	1.40	6.2	367	137.67	9.0	1.60	6.6	344	128.97	9.1	1.70	7.5	304	113.94	9.3	1.95	8.0	282	105.83	9.4	2.10	6.7			341					199.81		9.1	1.65		7.2	314	184.07	9.2	1.80	GR49			4P	11	208	121.87	5.5			1.35	8.4	270	158.14	9.4	2.10	GRF49	9.7	235	137.67	10	2.40	10	220	128.97	10	2.50	12	194	113.94	10	2.90			13	180	105.83	10	3.10	14	164	95.91	10	3.40	15	147			86.11							10	3.80	4.5	499			186.89	6.1	0.90	GR59	6P	12	195	114.17	5.5			1.45	4.9	459	172.17	6.7	0.95	GRF59	5.7	395	147.92	6.9	1.10	6.6	344	128.77	7.1	1.30	7.0	322	120.63	7.2	1.35	8.0	284	106.58	7.3	1.55	8.6	264	98.99					7.3	1.70	2.2	1027			289.74			27	3.00			2.5	906	255.71	27	3.30	2.7	855	241.25	27	3.50	3.0	766	216.28	27	4.00	2.6	878	247.61	19	1.80	2.9	771	217.48	19	2.00	3.1	732	206.6	19	2.20	3.5	647	182.55	19	2.40	3.8	590	166.59	11	1.40	4.4	516	145.67	11	1.60	4.6	490	138.39	11	1.70	5.3	430	121.42	12	1.90	4.4	521	195.24	11	1.55	5.1	445	166.59	12	1.80	5.8	389	145.67	12	2.10	6.8	333	195.24	12	2.30	8.0	284	166.59	12	2.70	9.1	248	145.67	12	3.10	9.6	236	138.39	12	3.20	11	207	121.42	12	3.70	4.0	560	158.14	7.7	1.10	4.6	488	137.67	8.3	1.25	5.0	457	128.97	8.5	1.35	5.6	404	113.94	8.9	1.50	4.3	533	199.81	7.8	1.10	4.6	491	184.07	8.2	1.20	5.4	422	158.14	8.7	1.40	6.2	367	137.67	9.0	1.60	6.6	344	128.97	9.1	1.70	7.5	304	113.94	9.3	1.95	8.0	282	105.83	9.4	2.10	6.7	341	199.81	9.1	1.65	7.2	314	184.07	9.2	1.80	8.4	270	158.14	9.4	2.10	9.7	235	137.67	10	2.40	10	220	128.97	10	2.50	12	194	113.94	10	2.90	13	180	105.83	10	3.10	14	164	95.91	10	3.40	15	147	86.11	10	3.80	4.5	499	186.89	6.1	0.90	4.9	459	172.17	6.7	0.95	5.7	395	147.92	6.9	1.10	6.6	344	128.77	7.1	1.30	7.0	322	120.63	7.2	1.35	8.0	284	106.58	7.3	1.55	8.6	264	98.99	7.3	1.70																										
12.8	168	104	5.0	1.25	14.8	146			90	5.2	1.40			2.2	1027	289.74	27	3.00	GR99	8P			13	169	98.99	7.5	2.50			2.5	906	255.71	27	3.30	GRF99			2.7	855	241.25	27	3.50	3.0	766	216.28	27	4.00	2.6	878	247.61	19	1.80	GR89	8P	15	153	89.71	7.5	2.70			2.9	771	217.48	19	2.00	GRF89			3.1	732	206.6	19	2.20	3.5	647	182.55	19	2.40	3.8	590	166.59	11	1.40	GR79	8P	17	137	80.55		7.5	3.00		4.4	516	145.67	11	1.60	GRF79			4.6	490	138.39	11	1.70	5.3	430	121.42	12	1.90	4.4	521	195.24	11	1.55	GR79	6P	19	118	69.23			7.6	3.50	5.1	445	166.59	12	1.80	GRF79	5.8	389	145.67	12	2.10	GR79	4P	7.5	302	176.88	5.0	0.90			6.8	333	195.24	12			2.30	GRF79	8.0	284	166.59	12	2.70	9.1	248	145.67	12	3.10	9.6	236	138.39	12	3.20	11	207	121.42	12	3.70	4.0	560	158.14	7.7	1.10			GR69	8P	8.2			278	162.94			5.1	1.00	4.6	488			137.67	8.3	1.25	GRF69	5.0	457	128.97	8.5	1.35	5.6	404	113.94	8.9	1.50	4.3	533	199.81	7.8	1.10	GR69	6P	9.5	239	139.99			5.3	1.15			4.6	491	184.07	8.2	1.20	GRF69	5.4	422	158.14	8.7	1.40	6.2	367	137.67	9.0	1.60	6.6	344	128.97	9.1	1.70	7.5	304	113.94	9.3	1.95	8.0	282	105.83	9.4	2.10	6.7	341	199.81	9.1	1.65	7.2			314					184.07	9.2	1.80	GR49	4P	11	208	121.87	5.5	1.35					8.4	270	158.14	9.4			2.10	GRF49	9.7	235	137.67	10	2.40	10	220	128.97	10	2.50	12	194	113.94	10	2.90	13	180	105.83	10	3.10			14	164	95.91	10	3.40	15	147	86.11	10	3.80	4.5	499			186.89							6.1	0.90	GR59	6P			12	195	114.17			5.5	1.45	4.9	459			172.17	6.7	0.95	GRF59	5.7	395	147.92	6.9	1.10	6.6	344	128.77	7.1	1.30	7.0	322	120.63	7.2	1.35	8.0	284	106.58	7.3	1.55	8.6	264	98.99	7.3	1.70	2.2		1027	289.74		27	3.00	2.5	906			255.71			27	3.30			2.7	855	241.25	27	3.50	3.0	766	216.28	27	4.00	2.6	878	247.61	19	1.80	2.9	771	217.48	19	2.00	3.1	732	206.6	19	2.20	3.5	647	182.55	19	2.40	3.8	590	166.59	11	1.40	4.4	516	145.67	11	1.60	4.6	490	138.39	11	1.70	5.3	430	121.42	12	1.90	4.4	521	195.24	11	1.55	5.1	445	166.59	12	1.80	5.8	389	145.67	12	2.10	6.8	333	195.24	12	2.30	8.0	284	166.59	12	2.70	9.1	248	145.67	12	3.10	9.6	236	138.39	12	3.20	11	207	121.42	12	3.70	4.0	560	158.14	7.7	1.10	4.6	488	137.67	8.3	1.25	5.0	457	128.97	8.5	1.35	5.6	404	113.94	8.9	1.50	4.3	533	199.81	7.8	1.10	4.6	491	184.07	8.2	1.20	5.4	422	158.14	8.7	1.40	6.2	367	137.67	9.0	1.60	6.6	344	128.97	9.1	1.70	7.5	304	113.94	9.3	1.95	8.0	282	105.83	9.4	2.10	6.7	341	199.81	9.1	1.65	7.2	314	184.07	9.2	1.80	8.4	270	158.14	9.4	2.10	9.7	235	137.67	10	2.40	10	220	128.97	10	2.50	12	194	113.94	10	2.90	13	180	105.83	10	3.10	14	164	95.91	10	3.40	15	147	86.11	10	3.80	4.5	499	186.89	6.1	0.90	4.9	459	172.17	6.7	0.95	5.7	395	147.92	6.9	1.10	6.6	344	128.77	7.1	1.30	7.0	322	120.63	7.2	1.35	8.0	284	106.58	7.3	1.55	8.6	264	98.99	7.3	1.70																															
14.8	146	90	5.2	1.40	2.2	1027			289.74	27	3.00			GR99	8P	13	169	98.99			7.5	2.50	2.5	906	255.71	27	3.30			GRF99	2.7	855	241.25	27	3.50			3.0	766	216.28	27	4.00	2.6	878	247.61	19	1.80	GR89	8P	15	153	89.71			7.5	2.70	2.9	771	217.48			19	2.00	GRF89	3.1	732	206.6			19	2.20	3.5	647	182.55	19	2.40	3.8	590	166.59	11	1.40	GR79	8P	17			137	80.55	7.5		3.00	4.4		516	145.67	11	1.60	GRF79	4.6			490	138.39	11	1.70	5.3	430	121.42	12	1.90	4.4	521	195.24	11	1.55	GR79			6P	19	118	69.23	7.6	3.50	5.1	445	166.59	12	1.80	GRF79	5.8	389	145.67	12	2.10	GR79			4P	7.5	302	176.88	5.0			0.90	6.8	333	195.24			12	2.30	GRF79	8.0	284	166.59	12	2.70	9.1	248	145.67	12	3.10	9.6	236	138.39	12	3.20	11	207	121.42	12	3.70	4.0	560	158.14	7.7					1.10	GR69	8P	8.2	278			162.94	5.1	1.00	4.6			488	137.67	8.3	1.25	GRF69	5.0	457	128.97	8.5	1.35	5.6	404	113.94	8.9	1.50	4.3	533	199.81	7.8			1.10	GR69	6P			9.5	239			139.99	5.3	1.15	4.6	491	184.07	8.2	1.20	GRF69	5.4	422	158.14	8.7	1.40	6.2	367	137.67	9.0	1.60	6.6	344	128.97	9.1	1.70	7.5	304	113.94	9.3	1.95	8.0	282	105.83	9.4	2.10	6.7	341	199.81			9.1	1.65	7.2			314	184.07	9.2			1.80	GR49	4P	11	208					121.87	5.5	1.35	8.4			270	158.14	9.4	2.10	GRF49	9.7	235	137.67	10	2.40	10	220	128.97	10	2.50	12	194	113.94	10	2.90	13	180	105.83	10	3.10	14	164	95.91	10	3.40	15	147	86.11	10	3.80	4.5			499							186.89	6.1					0.90	GR59	6P			12	195	114.17	5.5			1.45	4.9	459	172.17	6.7	0.95	GRF59	5.7	395	147.92	6.9	1.10	6.6	344	128.77	7.1	1.30	7.0	322	120.63	7.2	1.35	8.0	284	106.58	7.3	1.55	8.6	264	98.99	7.3	1.70	2.2	1027	289.74	27	3.00	2.5			906			255.71	27			3.30	2.7	855	241.25	27	3.50	3.0	766	216.28	27	4.00	2.6	878	247.61	19	1.80	2.9	771	217.48	19	2.00	3.1	732	206.6	19	2.20	3.5	647	182.55	19	2.40	3.8	590	166.59	11	1.40	4.4	516	145.67	11	1.60	4.6	490	138.39	11	1.70	5.3	430	121.42	12	1.90	4.4	521	195.24	11	1.55	5.1	445	166.59	12	1.80	5.8	389	145.67	12	2.10	6.8	333	195.24	12	2.30	8.0	284	166.59	12	2.70	9.1	248	145.67	12	3.10	9.6	236	138.39	12	3.20	11	207	121.42	12	3.70	4.0	560	158.14	7.7	1.10	4.6	488	137.67	8.3	1.25	5.0	457	128.97	8.5	1.35	5.6	404	113.94	8.9	1.50	4.3	533	199.81	7.8	1.10	4.6	491	184.07	8.2	1.20	5.4	422	158.14	8.7	1.40	6.2	367	137.67	9.0	1.60	6.6	344	128.97	9.1	1.70	7.5	304	113.94	9.3	1.95	8.0	282	105.83	9.4	2.10	6.7	341	199.81	9.1	1.65	7.2	314	184.07	9.2	1.80	8.4	270	158.14	9.4	2.10	9.7	235	137.67	10	2.40	10	220	128.97	10	2.50	12	194	113.94	10	2.90	13	180	105.83	10	3.10	14	164	95.91	10	3.40	15	147	86.11	10	3.80	4.5	499	186.89	6.1	0.90	4.9	459	172.17	6.7	0.95	5.7	395	147.92	6.9	1.10	6.6	344	128.77	7.1	1.30	7.0	322	120.63	7.2	1.35	8.0	284	106.58	7.3	1.55	8.6	264	98.99	7.3	1.70																														
2.2	1027	289.74	27	3.00	GR99	8P			13	169	98.99	7.5	2.50																																																																																																																																																																																																																																																																																																																																																																																																																																																																																																																																																																																																																																																																	
2.5	906	255.71	27	3.30			GRF99	2.7	855	241.25	27	3.50	3.0			766	216.28	27			4.00	2.6	878	247.61	19	1.80	GR89	8P	15	153	89.71	7.5	2.70	2.9	771	217.48	19	2.00	GRF89	3.1	732	206.6	19	2.20	3.5	647	182.55			19	2.40	3.8			590	166.59	11	1.40	GR79	8P	17	137	80.55	7.5	3.00	4.4	516	145.67	11	1.60	GRF79	4.6	490	138.39	11	1.70	5.3	430	121.42	12	1.90			4.4			521	195.24	11	1.55	GR79	6P	19	118	69.23	7.6	3.50	5.1	445	166.59	12	1.80	GRF79	5.8	389	145.67	12	2.10	GR79	4P	7.5	302	176.88	5.0	0.90	6.8	333	195.24	12	2.30	GRF79	8.0	284	166.59	12	2.70	9.1	248	145.67	12	3.10	9.6	236	138.39	12					3.20	11	207	121.42			12	3.70	4.0	560			158.14	7.7	1.10	GR69	8P	8.2	278	162.94	5.1	1.00	4.6	488	137.67	8.3	1.25	GRF69	5.0	457	128.97	8.5	1.35	5.6	404	113.94	8.9	1.50	4.3	533	199.81			7.8			1.10	GR69	6P	9.5	239	139.99	5.3	1.15	4.6	491	184.07	8.2	1.20	GRF69	5.4	422	158.14	8.7	1.40	6.2	367	137.67	9.0	1.60	6.6	344	128.97	9.1	1.70			7.5					304	113.94			9.3	1.95	8.0	282	105.83	9.4	2.10	6.7	341	199.81	9.1	1.65	7.2	314	184.07	9.2	1.80	GR49	4P	11	208	121.87	5.5	1.35	8.4	270	158.14	9.4	2.10	GRF49	9.7	235	137.67	10	2.40	10	220			128.97	10	2.50	12	194	113.94	10	2.90			13			180	105.83		10	3.10		14	164	95.91	10			3.40	15	147	86.11	10	3.80	4.5	499	186.89	6.1	0.90	GR59	6P	12	195	114.17	5.5	1.45	4.9	459	172.17	6.7	0.95	GRF59	5.7	395	147.92	6.9	1.10	6.6	344	128.77	7.1	1.30	7.0	322	120.63	7.2	1.35	8.0	284					106.58	7.3					1.55					8.6	264	98.99	7.3			1.70	2.2	1027	289.74	27	3.00	2.5	906	255.71	27	3.30	2.7	855	241.25	27	3.50	3.0	766	216.28	27	4.00	2.6	878	247.61	19	1.80	2.9	771	217.48	19	2.00	3.1	732	206.6	19	2.20	3.5	647	182.55	19	2.40			3.8	590	166.59	11	1.40	4.4	516	145.67	11	1.60	4.6	490	138.39	11	1.70	5.3	430	121.42	12	1.90	4.4	521	195.24	11	1.55	5.1	445	166.59	12	1.80	5.8	389	145.67	12	2.10	6.8	333	195.24	12	2.30	8.0	284	166.59	12	2.70	9.1	248	145.67	12	3.10	9.6	236	138.39	12	3.20	11	207	121.42	12	3.70	4.0	560	158.14	7.7	1.10	4.6	488	137.67	8.3	1.25	5.0	457	128.97	8.5	1.35	5.6	404	113.94	8.9	1.50	4.3	533	199.81	7.8	1.10	4.6	491	184.07	8.2	1.20	5.4	422	158.14	8.7	1.40	6.2	367	137.67	9.0	1.60	6.6	344	128.97	9.1	1.70	7.5	304	113.94	9.3	1.95	8.0	282	105.83	9.4	2.10	6.7	341	199.81	9.1	1.65	7.2	314	184.07	9.2	1.80	8.4	270	158.14	9.4	2.10	9.7	235	137.67	10	2.40	10	220	128.97	10	2.50	12	194	113.94	10	2.90	13	180	105.83	10	3.10	14	164	95.91	10	3.40	15	147	86.11	10	3.80	4.5	499	186.89	6.1	0.90	4.9	459	172.17	6.7	0.95	5.7	395	147.92	6.9	1.10	6.6	344	128.77	7.1	1.30	7.0	322	120.63	7.2	1.35	8.0	284	106.58	7.3	1.55	8.6	264	98.99	7.3	1.70																																																																	
2.7	855	241.25	27	3.50			3.0	766	216.28	27	4.00	2.6	878			247.61	19	1.80	GR89	8P	15	153	89.71	7.5	2.70	2.9			771	217.48	19	2.00	GRF89	3.1	732	206.6	19	2.20	3.5	647	182.55	19	2.40	3.8	590	166.59	11			1.40	GR79	8P	17	137	80.55	7.5	3.00	4.4			516	145.67	11	1.60	GRF79	4.6	490	138.39	11	1.70	5.3	430	121.42	12	1.90	4.4	521	195.24	11	1.55	GR79			6P	19	118	69.23	7.6	3.50	5.1			445	166.59	12	1.80	GRF79	5.8	389	145.67	12	2.10	GR79	4P	7.5	302	176.88	5.0			0.90	6.8	333	195.24	12	2.30	GRF79	8.0	284	166.59	12	2.70	9.1	248	145.67	12	3.10	9.6	236	138.39	12	3.20	11	207	121.42					12	3.70	4.0	560			158.14	7.7	1.10	GR69	8P	8.2	278	162.94	5.1			1.00	4.6	488	137.67	8.3	1.25	GRF69	5.0	457	128.97	8.5	1.35	5.6	404	113.94	8.9	1.50	4.3	533	199.81	7.8	1.10	GR69	6P	9.5	239	139.99			5.3			1.15	4.6	491	184.07	8.2	1.20	GRF69	5.4	422	158.14	8.7	1.40	6.2	367	137.67	9.0	1.60	6.6	344	128.97	9.1	1.70	7.5	304	113.94	9.3			1.95					8.0	282			105.83	9.4	2.10	6.7	341	199.81	9.1	1.65	7.2	314	184.07	9.2	1.80	GR49	4P	11	208			121.87	5.5	1.35	8.4	270	158.14	9.4	2.10	GRF49	9.7	235	137.67	10	2.40	10	220	128.97	10	2.50	12	194	113.94	10	2.90	13	180	105.83	10			3.10			14	164		95.91	10		3.40	15	147	86.11			10	3.80	4.5	499	186.89	6.1	0.90	GR59	6P	12	195			114.17	5.5	1.45	4.9	459	172.17	6.7	0.95	GRF59	5.7	395	147.92	6.9	1.10	6.6	344	128.77	7.1	1.30	7.0	322	120.63	7.2	1.35	8.0	284	106.58	7.3					1.55	8.6			264	98.99	7.3					1.70	2.2	1027	289.74			27	3.00	2.5	906	255.71	27	3.30	2.7	855	241.25	27	3.50	3.0	766	216.28	27	4.00	2.6	878	247.61	19	1.80	2.9	771	217.48	19	2.00	3.1	732	206.6	19	2.20	3.5	647	182.55	19	2.40	3.8	590	166.59	11	1.40	4.4	516	145.67	11	1.60	4.6	490	138.39	11	1.70	5.3	430	121.42	12	1.90	4.4	521	195.24	11	1.55	5.1	445	166.59	12	1.80	5.8	389	145.67	12	2.10	6.8	333	195.24	12	2.30	8.0	284	166.59	12	2.70	9.1	248	145.67	12	3.10	9.6	236	138.39	12	3.20	11	207	121.42	12	3.70	4.0	560	158.14	7.7	1.10	4.6	488	137.67	8.3	1.25	5.0	457	128.97	8.5	1.35	5.6	404	113.94	8.9	1.50	4.3	533	199.81	7.8	1.10	4.6	491	184.07	8.2	1.20	5.4	422	158.14	8.7	1.40	6.2	367	137.67	9.0	1.60	6.6	344	128.97	9.1	1.70	7.5	304	113.94	9.3	1.95	8.0	282	105.83	9.4	2.10	6.7	341	199.81	9.1	1.65	7.2	314	184.07	9.2	1.80	8.4	270	158.14	9.4	2.10	9.7	235	137.67	10	2.40	10	220	128.97	10	2.50	12	194	113.94	10	2.90	13	180	105.83	10	3.10	14	164	95.91	10	3.40	15	147	86.11	10	3.80	4.5	499	186.89	6.1	0.90	4.9	459	172.17	6.7	0.95	5.7	395	147.92	6.9	1.10	6.6	344	128.77	7.1	1.30	7.0	322	120.63	7.2	1.35	8.0	284	106.58	7.3	1.55	8.6	264	98.99	7.3	1.70																																																																							
3.0	766	216.28	27	4.00			2.6	878	247.61	19	1.80	GR89	8P	15	153	89.71	7.5	2.70			2.9	771	217.48	19	2.00	GRF89			3.1	732	206.6	19	2.20	3.5	647	182.55	19	2.40	3.8	590	166.59	11	1.40	GR79	8P	17	137	80.55	7.5	3.00			4.4	516	145.67	11	1.60	GRF79			4.6	490	138.39	11	1.70	5.3	430	121.42	12	1.90	4.4	521	195.24	11	1.55	GR79	6P	19	118	69.23		7.6	3.50		5.1	445	166.59	12	1.80	GRF79	5.8	389	145.67	12	2.10	GR79	4P	7.5	302	176.88	5.0	0.90			6.8	333	195.24	12			2.30	GRF79	8.0	284	166.59	12	2.70	9.1	248	145.67	12	3.10	9.6	236	138.39	12	3.20	11	207	121.42	12	3.70	4.0	560	158.14					7.7	1.10	GR69	8P	8.2	278	162.94	5.1	1.00			4.6	488	137.67	8.3			1.25	GRF69	5.0	457	128.97	8.5	1.35	5.6	404	113.94	8.9	1.50	4.3	533	199.81	7.8	1.10	GR69	6P	9.5	239	139.99			5.3	1.15	4.6	491	184.07	8.2			1.20	GRF69	5.4	422	158.14	8.7	1.40	6.2	367	137.67	9.0	1.60	6.6	344	128.97	9.1	1.70	7.5	304	113.94	9.3	1.95	8.0	282	105.83	9.4			2.10					6.7	341			199.81	9.1	1.65	7.2	314	184.07	9.2	1.80	GR49	4P	11	208	121.87			5.5	1.35			8.4	270	158.14	9.4	2.10	GRF49	9.7	235	137.67	10	2.40	10	220	128.97	10	2.50	12	194	113.94	10	2.90	13	180	105.83	10	3.10	14	164			95.91			10	3.40		15	147		86.11	10	3.80	4.5			499	186.89	6.1	0.90	GR59	6P	12			195	114.17			5.5	1.45	4.9	459	172.17	6.7	0.95	GRF59	5.7	395	147.92	6.9	1.10	6.6	344	128.77	7.1	1.30	7.0	322	120.63	7.2	1.35	8.0	284	106.58	7.3	1.55		8.6	264		98.99	7.3			1.70	2.2	1027					289.74	27	3.00	2.5			906	255.71	27	3.30	2.7	855	241.25	27	3.50	3.0	766	216.28	27	4.00	2.6	878	247.61	19	1.80	2.9	771	217.48	19	2.00	3.1	732	206.6	19	2.20	3.5	647	182.55	19	2.40	3.8	590	166.59	11	1.40	4.4	516	145.67	11	1.60	4.6	490	138.39	11	1.70	5.3	430	121.42	12	1.90	4.4	521	195.24	11	1.55	5.1	445	166.59	12	1.80	5.8	389	145.67	12	2.10	6.8	333	195.24	12	2.30	8.0	284	166.59	12	2.70	9.1	248	145.67	12	3.10	9.6	236	138.39	12	3.20	11	207	121.42	12	3.70	4.0	560	158.14	7.7	1.10	4.6	488	137.67	8.3	1.25	5.0	457	128.97	8.5	1.35	5.6	404	113.94	8.9	1.50	4.3	533	199.81	7.8	1.10	4.6	491	184.07	8.2	1.20	5.4	422	158.14	8.7	1.40	6.2	367	137.67	9.0	1.60	6.6	344	128.97	9.1	1.70	7.5	304	113.94	9.3	1.95	8.0	282	105.83	9.4	2.10	6.7	341	199.81	9.1	1.65	7.2	314	184.07	9.2	1.80	8.4	270	158.14	9.4	2.10	9.7	235	137.67	10	2.40	10	220	128.97	10	2.50	12	194	113.94	10	2.90	13	180	105.83	10	3.10	14	164	95.91	10	3.40	15	147	86.11	10	3.80	4.5	499	186.89	6.1	0.90	4.9	459	172.17	6.7	0.95	5.7	395	147.92	6.9	1.10	6.6	344	128.77	7.1	1.30	7.0	322	120.63	7.2	1.35	8.0	284	106.58	7.3	1.55	8.6	264	98.99	7.3	1.70																																																																										
2.6	878	247.61	19	1.80	GR89	8P	15	153	89.71	7.5	2.70																																																																																																																																																																																																																																																																																																																																																																																																																																																																																																																																																																																																																																																																			
2.9	771	217.48	19	2.00			GRF89	3.1	732	206.6	19			2.20	3.5	647	182.55	19			2.40	3.8	590	166.59	11	1.40	GR79	8P	17	137	80.55	7.5	3.00	4.4	516	145.67	11	1.60	GRF79	4.6	490	138.39	11			1.70	5.3	430	121.42	12			1.90	4.4	521	195.24	11	1.55	GR79	6P	19	118	69.23	7.6	3.50	5.1	445	166.59	12	1.80	GRF79	5.8	389	145.67	12	2.10	GR79	4P	7.5	302	176.88	5.0	0.90	6.8	333	195.24	12	2.30	GRF79	8.0	284	166.59	12	2.70	9.1			248	145.67	12	3.10	9.6			236	138.39	12	3.20			11	207	121.42	12	3.70	4.0	560	158.14	7.7	1.10	GR69	8P	8.2	278	162.94	5.1	1.00	4.6	488	137.67	8.3	1.25	GRF69	5.0	457	128.97	8.5	1.35	5.6	404	113.94			8.9	1.50	4.3	533	199.81			7.8	1.10	GR69	6P	9.5	239	139.99	5.3	1.15	4.6	491	184.07	8.2	1.20	GRF69	5.4	422	158.14	8.7	1.40	6.2	367	137.67			9.0	1.60	6.6			344	128.97	9.1	1.70	7.5	304			113.94	9.3	1.95	8.0	282	105.83	9.4	2.10	6.7	341	199.81	9.1	1.65	7.2	314	184.07	9.2	1.80	GR49	4P	11	208	121.87	5.5	1.35	8.4			270			158.14	9.4	2.10	GRF49	9.7	235	137.67	10	2.40	10	220	128.97	10	2.50			12	194	113.94			10	2.90			13	180	105.83	10	3.10	14	164	95.91	10	3.40	15	147	86.11	10	3.80	4.5	499	186.89	6.1	0.90	GR59	6P	12	195	114.17	5.5	1.45	4.9			459			172.17	6.7		0.95	GRF59		5.7	395	147.92	6.9			1.10	6.6	344	128.77			7.1			1.30	7.0			322	120.63	7.2	1.35	8.0	284	106.58	7.3	1.55	8.6	264	98.99	7.3	1.70	2.2	1027	289.74	27	3.00	2.5	906	255.71	27	3.30	2.7	855	241.25	27	3.50	3.0	766	216.28	27	4.00			2.6	878	247.61			19	1.80	2.9	771	217.48	19	2.00	3.1	732	206.6	19	2.20	3.5	647	182.55	19	2.40	3.8	590	166.59	11	1.40	4.4	516	145.67	11	1.60	4.6	490	138.39	11	1.70	5.3	430	121.42	12	1.90	4.4	521	195.24	11	1.55	5.1	445	166.59	12	1.80	5.8	389	145.67	12	2.10	6.8	333	195.24	12	2.30	8.0	284	166.59	12	2.70	9.1	248	145.67	12	3.10	9.6	236	138.39	12	3.20	11	207	121.42	12	3.70	4.0	560	158.14	7.7	1.10	4.6	488	137.67	8.3	1.25	5.0	457	128.97	8.5	1.35	5.6	404	113.94	8.9	1.50	4.3	533	199.81	7.8	1.10	4.6	491	184.07	8.2	1.20	5.4	422	158.14	8.7	1.40	6.2	367	137.67	9.0	1.60	6.6	344	128.97	9.1	1.70	7.5	304	113.94	9.3	1.95	8.0	282	105.83	9.4	2.10	6.7	341	199.81	9.1	1.65	7.2	314	184.07	9.2	1.80	8.4	270	158.14	9.4	2.10	9.7	235	137.67	10	2.40	10	220	128.97	10	2.50	12	194	113.94	10	2.90	13	180	105.83	10	3.10	14	164	95.91	10	3.40	15	147	86.11	10	3.80	4.5	499	186.89	6.1	0.90	4.9	459	172.17	6.7	0.95	5.7	395	147.92	6.9	1.10	6.6	344	128.77	7.1	1.30	7.0	322	120.63	7.2	1.35	8.0	284	106.58	7.3	1.55	8.6	264	98.99	7.3	1.70																																																																																																			
3.1	732	206.6	19	2.20			3.5	647	182.55	19	2.40			3.8	590	166.59	11	1.40	GR79	8P	17	137	80.55	7.5	3.00	4.4			516	145.67	11	1.60	GRF79	4.6	490	138.39	11	1.70	5.3	430	121.42	12	1.90			4.4	521	195.24	11	1.55	GR79	6P	19	118	69.23	7.6	3.50	5.1			445	166.59	12	1.80	GRF79	5.8	389	145.67	12	2.10	GR79	4P	7.5	302	176.88	5.0			0.90	6.8	333	195.24	12	2.30	GRF79	8.0	284	166.59	12	2.70	9.1	248	145.67	12	3.10			9.6	236	138.39	12	3.20			11	207	121.42	12			3.70	4.0	560	158.14	7.7	1.10	GR69	8P	8.2	278			162.94	5.1	1.00	4.6	488	137.67	8.3	1.25	GRF69	5.0	457	128.97	8.5	1.35	5.6	404	113.94	8.9	1.50			4.3	533	199.81	7.8	1.10	GR69	6P	9.5	239			139.99	5.3	1.15	4.6	491	184.07	8.2	1.20	GRF69	5.4	422	158.14	8.7	1.40	6.2	367	137.67	9.0	1.60			6.6	344	128.97			9.1	1.70	7.5	304	113.94	9.3			1.95	8.0	282	105.83	9.4	2.10	6.7	341	199.81	9.1	1.65	7.2	314	184.07	9.2	1.80	GR49	4P			11	208	121.87	5.5	1.35	8.4	270	158.14	9.4			2.10	GRF49	9.7	235	137.67	10	2.40	10	220	128.97	10	2.50	12	194			113.94	10	2.90			13	180			105.83	10	3.10	14	164	95.91	10	3.40	15	147	86.11	10	3.80	4.5	499	186.89	6.1	0.90	GR59	6P			12	195	114.17	5.5	1.45	4.9			459			172.17	6.7		0.95	GRF59		5.7	395	147.92	6.9	1.10	6.6	344	128.77	7.1	1.30			7.0			322	120.63			7.2	1.35	8.0	284	106.58	7.3	1.55	8.6	264	98.99	7.3	1.70	2.2	1027	289.74	27	3.00	2.5	906	255.71	27	3.30	2.7	855	241.25	27	3.50	3.0	766	216.28	27	4.00	2.6	878	247.61	19	1.80	2.9	771			217.48	19	2.00	3.1	732	206.6	19	2.20	3.5	647	182.55	19	2.40	3.8	590	166.59	11	1.40	4.4	516	145.67	11	1.60	4.6	490	138.39	11	1.70	5.3	430	121.42	12	1.90	4.4	521	195.24	11	1.55	5.1	445	166.59	12	1.80	5.8	389	145.67	12	2.10	6.8	333	195.24	12	2.30	8.0	284	166.59	12	2.70	9.1	248	145.67	12	3.10	9.6	236	138.39	12	3.20	11	207	121.42	12	3.70	4.0	560	158.14	7.7	1.10	4.6	488	137.67	8.3	1.25	5.0	457	128.97	8.5	1.35	5.6	404	113.94	8.9	1.50	4.3	533	199.81	7.8	1.10	4.6	491	184.07	8.2	1.20	5.4	422	158.14	8.7	1.40	6.2	367	137.67	9.0	1.60	6.6	344	128.97	9.1	1.70	7.5	304	113.94	9.3	1.95	8.0	282	105.83	9.4	2.10	6.7	341	199.81	9.1	1.65	7.2	314	184.07	9.2	1.80	8.4	270	158.14	9.4	2.10	9.7	235	137.67	10	2.40	10	220	128.97	10	2.50	12	194	113.94	10	2.90	13	180	105.83	10	3.10	14	164	95.91	10	3.40	15	147	86.11	10	3.80	4.5	499	186.89	6.1	0.90	4.9	459	172.17	6.7	0.95	5.7	395	147.92	6.9	1.10	6.6	344	128.77	7.1	1.30	7.0	322	120.63	7.2	1.35	8.0	284	106.58	7.3	1.55	8.6	264	98.99	7.3	1.70																																																																																																							
3.5	647	182.55	19	2.40			3.8	590	166.59	11	1.40	GR79	8P	17	137	80.55	7.5	3.00			4.4	516	145.67	11	1.60	GRF79			4.6	490	138.39	11	1.70	5.3	430	121.42	12	1.90	4.4	521	195.24	11	1.55	GR79	6P	19	118	69.23	7.6	3.50			5.1	445	166.59	12	1.80	GRF79	5.8	389	145.67	12	2.10	GR79	4P	7.5	302	176.88	5.0	0.90			6.8	333	195.24	12			2.30	GRF79	8.0	284	166.59	12	2.70	9.1	248	145.67	12	3.10	9.6	236	138.39	12	3.20			11	207	121.42	12	3.70			4.0	560	158.14	7.7	1.10	GR69	8P	8.2	278	162.94	5.1	1.00			4.6	488			137.67	8.3	1.25	GRF69	5.0	457	128.97	8.5	1.35	5.6	404	113.94	8.9	1.50	4.3	533	199.81	7.8	1.10	GR69	6P	9.5	239	139.99	5.3	1.15			4.6	491			184.07	8.2	1.20	GRF69	5.4	422	158.14	8.7	1.40	6.2	367	137.67	9.0	1.60	6.6	344	128.97	9.1	1.70			7.5	304	113.94			9.3	1.95	8.0	282	105.83	9.4			2.10	6.7	341	199.81	9.1	1.65	7.2	314	184.07	9.2	1.80	GR49	4P	11	208	121.87					5.5	1.35	8.4	270	158.14	9.4	2.10	GRF49	9.7	235	137.67	10	2.40	10	220	128.97	10	2.50	12	194	113.94	10	2.90	13	180			105.83	10	3.10			14	164			95.91	10	3.40	15	147	86.11	10	3.80	4.5	499	186.89	6.1	0.90	GR59	6P	12	195	114.17					5.5	1.45	4.9	459	172.17	6.7			0.95			GRF59	5.7	395	147.92	6.9	1.10	6.6	344	128.77	7.1	1.30	7.0	322	120.63	7.2	1.35			8.0			284	106.58			7.3	1.55	8.6	264	98.99	7.3	1.70	2.2	1027	289.74	27	3.00	2.5	906	255.71	27	3.30	2.7	855	241.25	27	3.50	3.0	766	216.28	27	4.00	2.6	878	247.61	19	1.80	2.9	771	217.48	19	2.00	3.1	732	206.6	19	2.20	3.5	647	182.55	19	2.40	3.8	590	166.59	11	1.40	4.4	516	145.67	11	1.60	4.6	490	138.39	11	1.70	5.3	430	121.42	12	1.90	4.4	521	195.24	11	1.55	5.1	445	166.59	12	1.80	5.8	389	145.67	12	2.10	6.8	333	195.24	12	2.30	8.0	284	166.59	12	2.70	9.1	248	145.67	12	3.10	9.6	236	138.39	12	3.20	11	207	121.42	12	3.70	4.0	560	158.14	7.7	1.10	4.6	488	137.67	8.3	1.25	5.0	457	128.97	8.5	1.35	5.6	404	113.94	8.9	1.50	4.3	533	199.81	7.8	1.10	4.6	491	184.07	8.2	1.20	5.4	422	158.14	8.7	1.40	6.2	367	137.67	9.0	1.60	6.6	344	128.97	9.1	1.70	7.5	304	113.94	9.3	1.95	8.0	282	105.83	9.4	2.10	6.7	341	199.81	9.1	1.65	7.2	314	184.07	9.2	1.80	8.4	270	158.14	9.4	2.10	9.7	235	137.67	10	2.40	10	220	128.97	10	2.50	12	194	113.94	10	2.90	13	180	105.83	10	3.10	14	164	95.91	10	3.40	15	147	86.11	10	3.80	4.5	499	186.89	6.1	0.90	4.9	459	172.17	6.7	0.95	5.7	395	147.92	6.9	1.10	6.6	344	128.77	7.1	1.30	7.0	322	120.63	7.2	1.35	8.0	284	106.58	7.3	1.55	8.6	264	98.99	7.3	1.70																																																																																																														
3.8	590	166.59	11	1.40	GR79	8P	17	137	80.55	7.5	3.00																																																																																																																																																																																																																																																																																																																																																																																																																																																																																																																																																																																																																																																																			
4.4	516	145.67	11	1.60			GRF79	4.6	490	138.39	11			1.70	5.3	430	121.42	12			1.90	4.4	521	195.24	11	1.55	GR79	6P	19	118	69.23	7.6	3.50	5.1	445	166.59	12	1.80	GRF79	5.8	389	145.67	12	2.10	GR79	4P	7.5	302	176.88	5.0	0.90	6.8	333	195.24	12	2.30	GRF79	8.0	284	166.59	12	2.70	9.1			248	145.67	12	3.10	9.6			236	138.39	12	3.20			11	207	121.42	12	3.70	4.0	560	158.14	7.7	1.10	GR69	8P	8.2	278	162.94	5.1	1.00	4.6	488	137.67	8.3	1.25	GRF69	5.0	457	128.97	8.5	1.35	5.6	404	113.94			8.9	1.50	4.3	533	199.81			7.8	1.10	GR69	6P	9.5	239	139.99	5.3	1.15	4.6	491	184.07	8.2	1.20	GRF69	5.4	422	158.14	8.7	1.40	6.2	367	137.67			9.0	1.60	6.6	344	128.97			9.1	1.70			7.5	304	113.94	9.3	1.95	8.0	282	105.83	9.4	2.10	6.7	341	199.81	9.1	1.65	7.2	314	184.07	9.2			1.80	GR49	4P			11	208	121.87	5.5	1.35	8.4	270	158.14	9.4	2.10	GRF49	9.7	235	137.67	10	2.40	10	220	128.97			10	2.50	12					194	113.94	10	2.90	13	180	105.83	10	3.10	14	164	95.91	10	3.40	15	147	86.11	10	3.80	4.5	499	186.89	6.1	0.90	GR59			6P	12	195			114.17	5.5			1.45	4.9	459	172.17	6.7	0.95	GRF59	5.7	395	147.92	6.9	1.10	6.6			344	128.77	7.1					1.30	7.0	322	120.63	7.2	1.35	8.0	284	106.58	7.3	1.55	8.6	264	98.99	7.3	1.70	2.2	1027	289.74	27	3.00	2.5	906	255.71	27	3.30	2.7			855			241.25	27	3.50	3.0	766	216.28	27	4.00	2.6	878	247.61	19	1.80	2.9	771	217.48	19	2.00	3.1	732	206.6	19	2.20	3.5	647	182.55	19	2.40	3.8	590	166.59	11	1.40	4.4	516	145.67	11	1.60	4.6	490	138.39	11	1.70	5.3	430	121.42	12	1.90	4.4	521	195.24	11	1.55	5.1	445	166.59	12	1.80	5.8	389	145.67	12	2.10	6.8	333	195.24	12	2.30	8.0	284	166.59	12	2.70	9.1	248	145.67	12	3.10	9.6	236	138.39	12	3.20	11	207	121.42	12	3.70	4.0	560	158.14	7.7	1.10	4.6	488	137.67	8.3	1.25	5.0	457	128.97	8.5	1.35	5.6	404	113.94	8.9	1.50	4.3	533	199.81	7.8	1.10	4.6	491	184.07	8.2	1.20	5.4	422	158.14	8.7	1.40	6.2	367	137.67	9.0	1.60	6.6	344	128.97	9.1	1.70	7.5	304	113.94	9.3	1.95	8.0	282	105.83	9.4	2.10	6.7	341	199.81	9.1	1.65	7.2	314	184.07	9.2	1.80	8.4	270	158.14	9.4	2.10	9.7	235	137.67	10	2.40	10	220	128.97	10	2.50	12	194	113.94	10	2.90	13	180	105.83	10	3.10	14	164	95.91	10	3.40	15	147	86.11	10	3.80	4.5	499	186.89	6.1	0.90	4.9	459	172.17	6.7	0.95	5.7	395	147.92	6.9	1.10	6.6	344	128.77	7.1	1.30	7.0	322	120.63	7.2	1.35	8.0	284	106.58	7.3	1.55	8.6	264	98.99	7.3	1.70																																																																																																																																					
4.6	490	138.39	11	1.70			5.3	430	121.42	12	1.90			4.4	521	195.24	11	1.55	GR79	6P	19	118	69.23	7.6	3.50	5.1			445	166.59	12	1.80	GRF79	5.8	389	145.67	12	2.10	GR79	4P	7.5	302	176.88	5.0			0.90	6.8	333	195.24	12	2.30	GRF79	8.0	284	166.59	12	2.70	9.1	248	145.67	12	3.10			9.6	236	138.39	12	3.20			11	207	121.42	12			3.70	4.0	560	158.14	7.7	1.10	GR69	8P	8.2	278			162.94	5.1	1.00	4.6	488	137.67	8.3	1.25	GRF69	5.0	457	128.97	8.5	1.35	5.6	404	113.94	8.9	1.50			4.3	533	199.81	7.8	1.10	GR69	6P	9.5	239			139.99	5.3	1.15	4.6	491	184.07	8.2	1.20	GRF69	5.4	422	158.14	8.7	1.40	6.2	367	137.67	9.0	1.60			6.6	344	128.97	9.1	1.70			7.5	304			113.94	9.3	1.95	8.0	282	105.83	9.4	2.10	6.7	341	199.81	9.1	1.65	7.2	314	184.07	9.2	1.80	GR49			4P			11	208	121.87	5.5	1.35	8.4	270	158.14	9.4	2.10	GRF49	9.7	235	137.67	10	2.40	10	220	128.97	10	2.50			12	194	113.94					10	2.90	13	180	105.83	10	3.10	14	164	95.91	10	3.40	15	147	86.11	10	3.80	4.5	499	186.89	6.1	0.90	GR59	6P					12	195			114.17	5.5			1.45	4.9	459	172.17	6.7	0.95	GRF59	5.7	395	147.92	6.9	1.10	6.6			344	128.77	7.1					1.30	7.0	322	120.63	7.2	1.35	8.0	284	106.58	7.3	1.55	8.6	264	98.99	7.3	1.70	2.2	1027	289.74	27	3.00	2.5	906	255.71	27	3.30	2.7			855	241.25	27	3.50	3.0	766	216.28	27	4.00	2.6	878	247.61	19	1.80	2.9	771	217.48	19	2.00	3.1	732	206.6	19	2.20	3.5	647	182.55	19	2.40	3.8	590	166.59	11	1.40	4.4	516	145.67	11	1.60	4.6	490	138.39	11	1.70	5.3	430	121.42	12	1.90	4.4	521	195.24	11	1.55	5.1	445	166.59	12	1.80	5.8	389	145.67	12	2.10	6.8	333	195.24	12	2.30	8.0	284	166.59	12	2.70	9.1	248	145.67	12	3.10	9.6	236	138.39	12	3.20	11	207	121.42	12	3.70	4.0	560	158.14	7.7	1.10	4.6	488	137.67	8.3	1.25	5.0	457	128.97	8.5	1.35	5.6	404	113.94	8.9	1.50	4.3	533	199.81	7.8	1.10	4.6	491	184.07	8.2	1.20	5.4	422	158.14	8.7	1.40	6.2	367	137.67	9.0	1.60	6.6	344	128.97	9.1	1.70	7.5	304	113.94	9.3	1.95	8.0	282	105.83	9.4	2.10	6.7	341	199.81	9.1	1.65	7.2	314	184.07	9.2	1.80	8.4	270	158.14	9.4	2.10	9.7	235	137.67	10	2.40	10	220	128.97	10	2.50	12	194	113.94	10	2.90	13	180	105.83	10	3.10	14	164	95.91	10	3.40	15	147	86.11	10	3.80	4.5	499	186.89	6.1	0.90	4.9	459	172.17	6.7	0.95	5.7	395	147.92	6.9	1.10	6.6	344	128.77	7.1	1.30	7.0	322	120.63	7.2	1.35	8.0	284	106.58	7.3	1.55	8.6	264	98.99	7.3	1.70																																																																																																																																							
5.3	430	121.42	12	1.90			4.4	521	195.24	11	1.55	GR79	6P	19	118	69.23	7.6	3.50			5.1	445	166.59	12	1.80	GRF79	5.8	389	145.67	12	2.10	GR79	4P	7.5	302	176.88	5.0	0.90			6.8	333	195.24	12			2.30	GRF79	8.0	284	166.59	12	2.70	9.1	248	145.67	12	3.10	9.6	236	138.39	12	3.20			11	207	121.42	12	3.70			4.0	560	158.14	7.7	1.10	GR69	8P	8.2	278	162.94	5.1	1.00			4.6	488			137.67	8.3	1.25	GRF69	5.0	457	128.97	8.5	1.35	5.6	404	113.94	8.9	1.50	4.3	533	199.81	7.8	1.10	GR69	6P	9.5	239	139.99	5.3	1.15			4.6	491			184.07	8.2	1.20	GRF69	5.4	422	158.14	8.7	1.40	6.2	367	137.67	9.0	1.60	6.6	344	128.97	9.1	1.70			7.5	304	113.94	9.3	1.95			8.0	282			105.83	9.4	2.10	6.7	341	199.81	9.1	1.65	7.2	314	184.07	9.2	1.80	GR49	4P	11	208	121.87		5.5	1.35				8.4	270	158.14	9.4	2.10	GRF49	9.7	235	137.67	10	2.40	10	220	128.97	10	2.50	12	194	113.94	10	2.90			13	180	105.83					10	3.10	14	164	95.91	10	3.40	15	147	86.11	10	3.80	4.5	499	186.89	6.1	0.90	GR59	6P	12	195	114.17							5.5	1.45			4.9	459	172.17	6.7	0.95	GRF59	5.7	395	147.92	6.9	1.10	6.6	344	128.77	7.1	1.30	7.0			322	120.63	7.2					1.35	8.0	284	106.58	7.3	1.55	8.6	264	98.99	7.3	1.70	2.2	1027	289.74	27	3.00	2.5	906	255.71	27	3.30	2.7	855	241.25	27	3.50	3.0	766	216.28	27	4.00	2.6	878	247.61	19	1.80	2.9	771	217.48	19	2.00	3.1	732	206.6	19	2.20	3.5	647	182.55	19	2.40	3.8	590	166.59	11	1.40	4.4	516	145.67	11	1.60	4.6	490	138.39	11	1.70	5.3	430	121.42	12	1.90	4.4	521	195.24	11	1.55	5.1	445	166.59	12	1.80	5.8	389	145.67	12	2.10	6.8	333	195.24	12	2.30	8.0	284	166.59	12	2.70	9.1	248	145.67	12	3.10	9.6	236	138.39	12	3.20	11	207	121.42	12	3.70	4.0	560	158.14	7.7	1.10	4.6	488	137.67	8.3	1.25	5.0	457	128.97	8.5	1.35	5.6	404	113.94	8.9	1.50	4.3	533	199.81	7.8	1.10	4.6	491	184.07	8.2	1.20	5.4	422	158.14	8.7	1.40	6.2	367	137.67	9.0	1.60	6.6	344	128.97	9.1	1.70	7.5	304	113.94	9.3	1.95	8.0	282	105.83	9.4	2.10	6.7	341	199.81	9.1	1.65	7.2	314	184.07	9.2	1.80	8.4	270	158.14	9.4	2.10	9.7	235	137.67	10	2.40	10	220	128.97	10	2.50	12	194	113.94	10	2.90	13	180	105.83	10	3.10	14	164	95.91	10	3.40	15	147	86.11	10	3.80	4.5	499	186.89	6.1	0.90	4.9	459	172.17	6.7	0.95	5.7	395	147.92	6.9	1.10	6.6	344	128.77	7.1	1.30	7.0	322	120.63	7.2	1.35	8.0	284	106.58	7.3	1.55	8.6	264	98.99	7.3	1.70																																																																																																																																														
4.4	521	195.24	11	1.55	GR79	6P	19	118	69.23	7.6	3.50																																																																																																																																																																																																																																																																																																																																																																																																																																																																																																																																																																																																																																																																			
5.1	445	166.59	12	1.80			GRF79	5.8	389	145.67	12	2.10	GR79	4P	7.5	302	176.88	5.0	0.90	6.8	333	195.24	12	2.30	GRF79	8.0	284	166.59	12	2.70	9.1			248	145.67	12	3.10	9.6			236	138.39	12	3.20			11	207	121.42	12	3.70	4.0	560	158.14	7.7	1.10	GR69	8P	8.2	278	162.94	5.1	1.00	4.6	488	137.67	8.3	1.25	GRF69	5.0	457	128.97	8.5	1.35	5.6	404	113.94			8.9	1.50	4.3	533	199.81			7.8	1.10	GR69	6P	9.5	239	139.99	5.3	1.15	4.6	491	184.07	8.2	1.20	GRF69	5.4	422	158.14	8.7	1.40	6.2	367	137.67			9.0	1.60	6.6	344	128.97			9.1	1.70			7.5	304	113.94	9.3	1.95	8.0	282	105.83	9.4	2.10	6.7	341	199.81	9.1	1.65	7.2	314	184.07	9.2			1.80	GR49	4P	11	208			121.87	5.5	1.35	8.4	270	158.14	9.4	2.10	GRF49	9.7	235	137.67	10	2.40	10	220	128.97			10	2.50	12		194	113.94				10	2.90	13	180	105.83	10	3.10	14	164	95.91	10	3.40	15	147	86.11	10	3.80	4.5	499	186.89	6.1			0.90	GR59	6P					12	195	114.17	5.5	1.45	4.9	459	172.17	6.7	0.95	GRF59	5.7	395	147.92	6.9	1.10	6.6			344	128.77	7.1				1.30	7.0		322	120.63	7.2	1.35	8.0	284	106.58	7.3	1.55	8.6	264	98.99	7.3	1.70	2.2	1027	289.74	27	3.00	2.5	906			255.71	27	3.30			2.7	855	241.25	27	3.50	3.0	766	216.28	27	4.00	2.6	878	247.61	19	1.80	2.9	771	217.48	19	2.00	3.1	732	206.6	19	2.20	3.5	647	182.55	19	2.40	3.8	590	166.59	11	1.40	4.4	516	145.67	11	1.60	4.6	490	138.39	11	1.70	5.3	430	121.42	12	1.90	4.4	521	195.24	11	1.55	5.1	445	166.59	12	1.80	5.8	389	145.67	12	2.10	6.8	333	195.24	12	2.30	8.0	284	166.59	12	2.70	9.1	248	145.67	12	3.10	9.6	236	138.39	12	3.20	11	207	121.42	12	3.70	4.0	560	158.14	7.7	1.10	4.6	488	137.67	8.3	1.25	5.0	457	128.97	8.5	1.35	5.6	404	113.94	8.9	1.50	4.3	533	199.81	7.8	1.10	4.6	491	184.07	8.2	1.20	5.4	422	158.14	8.7	1.40	6.2	367	137.67	9.0	1.60	6.6	344	128.97	9.1	1.70	7.5	304	113.94	9.3	1.95	8.0	282	105.83	9.4	2.10	6.7	341	199.81	9.1	1.65	7.2	314	184.07	9.2	1.80	8.4	270	158.14	9.4	2.10	9.7	235	137.67	10	2.40	10	220	128.97	10	2.50	12	194	113.94	10	2.90	13	180	105.83	10	3.10	14	164	95.91	10	3.40	15	147	86.11	10	3.80	4.5	499	186.89	6.1	0.90	4.9	459	172.17	6.7	0.95	5.7	395	147.92	6.9	1.10	6.6	344	128.77	7.1	1.30	7.0	322	120.63	7.2	1.35	8.0	284	106.58	7.3	1.55	8.6	264	98.99	7.3	1.70																																																																																																																																																																					
5.8	389	145.67	12	2.10	GR79	4P	7.5	302	176.88	5.0	0.90																																																																																																																																																																																																																																																																																																																																																																																																																																																																																																																																																																																																																																																																			
6.8	333	195.24	12	2.30			GRF79	8.0	284	166.59	12	2.70			9.1	248	145.67	12	3.10	9.6	236	138.39	12	3.20	11	207	121.42	12	3.70	4.0	560			158.14	7.7	1.10	GR69	8P			8.2	278	162.94	5.1	1.00	4.6	488	137.67	8.3	1.25	GRF69	5.0	457	128.97	8.5	1.35			5.6	404	113.94	8.9	1.50	4.3	533	199.81	7.8	1.10	GR69	6P	9.5	239	139.99	5.3	1.15	4.6	491	184.07	8.2	1.20	GRF69	5.4	422	158.14	8.7	1.40	6.2	367			137.67	9.0	1.60	6.6	344	128.97	9.1	1.70	7.5	304	113.94	9.3	1.95	8.0	282	105.83	9.4	2.10	6.7			341	199.81	9.1	1.65	7.2			314	184.07			9.2	1.80	GR49	4P	11	208	121.87	5.5	1.35	8.4	270	158.14	9.4	2.10	GRF49	9.7	235	137.67	10	2.40	10	220			128.97	10	2.50	12	194	113.94	10	2.90	13	180	105.83	10	3.10	14	164	95.91	10	3.40	15	147	86.11			10	3.80	4.5		499	186.89				6.1	0.90	GR59	6P	12	195	114.17	5.5	1.45	4.9	459	172.17	6.7	0.95	GRF59	5.7	395	147.92	6.9	1.10	6.6			344					128.77	7.1	1.30	7.0	322	120.63	7.2	1.35	8.0	284	106.58	7.3	1.55	8.6	264	98.99	7.3	1.70	2.2			1027	289.74	27				3.00	2.5		906	255.71	27	3.30	2.7	855	241.25	27	3.50	3.0	766	216.28	27	4.00	2.6	878	247.61	19	1.80	2.9	771	217.48	19	2.00	3.1	732	206.6	19	2.20	3.5	647	182.55	19	2.40	3.8	590	166.59	11	1.40	4.4	516	145.67	11	1.60	4.6	490	138.39	11	1.70	5.3	430	121.42	12	1.90	4.4	521	195.24	11	1.55	5.1	445	166.59	12	1.80	5.8	389	145.67	12	2.10	6.8	333	195.24	12	2.30	8.0	284	166.59	12	2.70	9.1	248	145.67	12	3.10	9.6	236	138.39	12	3.20	11	207	121.42	12	3.70	4.0	560	158.14	7.7	1.10	4.6	488	137.67	8.3	1.25	5.0	457	128.97	8.5	1.35	5.6	404	113.94	8.9	1.50	4.3	533	199.81	7.8	1.10	4.6	491	184.07	8.2	1.20	5.4	422	158.14	8.7	1.40	6.2	367	137.67	9.0	1.60	6.6	344	128.97	9.1	1.70	7.5	304	113.94	9.3	1.95	8.0	282	105.83	9.4	2.10	6.7	341	199.81	9.1	1.65	7.2	314	184.07	9.2	1.80	8.4	270	158.14	9.4	2.10	9.7	235	137.67	10	2.40	10	220	128.97	10	2.50	12	194	113.94	10	2.90	13	180	105.83	10	3.10	14	164	95.91	10	3.40	15	147	86.11	10	3.80	4.5	499	186.89	6.1	0.90	4.9	459	172.17	6.7	0.95	5.7	395	147.92	6.9	1.10	6.6	344	128.77	7.1	1.30	7.0	322	120.63	7.2	1.35	8.0	284	106.58	7.3	1.55	8.6	264	98.99	7.3	1.70																																																																																																																																																																																													
8.0	284	166.59	12	2.70			9.1	248	145.67	12	3.10	9.6			236	138.39	12	3.20	11	207	121.42	12	3.70	4.0	560	158.14	7.7	1.10	GR69	8P	8.2			278	162.94	5.1			1.00	4.6	488	137.67	8.3	1.25	GRF69	5.0	457	128.97	8.5	1.35	5.6	404	113.94	8.9	1.50	4.3			533	199.81	7.8	1.10	GR69	6P	9.5	239	139.99	5.3			1.15	4.6	491	184.07	8.2	1.20	GRF69	5.4	422	158.14	8.7	1.40	6.2	367	137.67	9.0	1.60	6.6			344	128.97	9.1	1.70	7.5	304	113.94	9.3	1.95	8.0	282	105.83	9.4	2.10	6.7	341	199.81	9.1	1.65			7.2	314	184.07	9.2	1.80			GR49	4P			11	208			121.87	5.5	1.35	8.4	270	158.14	9.4	2.10	GRF49	9.7	235	137.67	10	2.40	10	220	128.97	10			2.50	12	194	113.94	10	2.90	13	180	105.83	10	3.10	14	164	95.91	10	3.40	15	147	86.11	10	3.80			4.5	499	186.89		6.1	0.90				GR59	6P			12	195	114.17	5.5	1.45	4.9	459	172.17	6.7	0.95	GRF59	5.7	395	147.92	6.9	1.10	6.6			344			128.77	7.1	1.30	7.0	322	120.63	7.2	1.35	8.0	284	106.58	7.3	1.55	8.6	264	98.99	7.3	1.70	2.2	1027	289.74			27	3.00	2.5				906	255.71		27	3.30	2.7	855	241.25	27	3.50	3.0	766	216.28	27	4.00	2.6	878	247.61	19	1.80	2.9	771	217.48	19	2.00	3.1	732	206.6	19	2.20	3.5	647	182.55	19	2.40	3.8	590	166.59	11	1.40	4.4	516	145.67	11	1.60	4.6	490	138.39	11	1.70	5.3	430	121.42	12	1.90	4.4	521	195.24	11	1.55	5.1	445	166.59	12	1.80	5.8	389	145.67	12	2.10	6.8	333	195.24	12	2.30	8.0	284	166.59	12	2.70	9.1	248	145.67	12	3.10	9.6	236	138.39	12	3.20	11	207	121.42	12	3.70	4.0	560	158.14	7.7	1.10	4.6	488	137.67	8.3	1.25	5.0	457	128.97	8.5	1.35	5.6	404	113.94	8.9	1.50	4.3	533	199.81	7.8	1.10	4.6	491	184.07	8.2	1.20	5.4	422	158.14	8.7	1.40	6.2	367	137.67	9.0	1.60	6.6	344	128.97	9.1	1.70	7.5	304	113.94	9.3	1.95	8.0	282	105.83	9.4	2.10	6.7	341	199.81	9.1	1.65	7.2	314	184.07	9.2	1.80	8.4	270	158.14	9.4	2.10	9.7	235	137.67	10	2.40	10	220	128.97	10	2.50	12	194	113.94	10	2.90	13	180	105.83	10	3.10	14	164	95.91	10	3.40	15	147	86.11	10	3.80	4.5	499	186.89	6.1	0.90	4.9	459	172.17	6.7	0.95	5.7	395	147.92	6.9	1.10	6.6	344	128.77	7.1	1.30	7.0	322	120.63	7.2	1.35	8.0	284	106.58	7.3	1.55	8.6	264	98.99	7.3	1.70																																																																																																																																																																																															
9.1	248	145.67	12	3.10			9.6	236	138.39	12	3.20	11			207	121.42	12	3.70	4.0	560	158.14	7.7	1.10	GR69	8P	8.2	278	162.94			5.1	1.00	4.6	488	137.67	8.3			1.25	GRF69	5.0	457	128.97	8.5	1.35	5.6	404	113.94	8.9	1.50	4.3	533	199.81	7.8	1.10	GR69	6P	9.5	239	139.99	5.3	1.15			4.6	491	184.07	8.2			1.20	GRF69	5.4	422	158.14	8.7	1.40	6.2	367	137.67	9.0	1.60	6.6	344	128.97	9.1	1.70	7.5			304	113.94	9.3	1.95	8.0	282	105.83	9.4	2.10	6.7	341	199.81	9.1	1.65	7.2	314	184.07	9.2	1.80			GR49	4P	11	208	121.87					5.5	1.35	8.4	270			158.14	9.4	2.10	GRF49	9.7	235	137.67	10	2.40	10	220	128.97	10	2.50	12	194	113.94	10			2.90	13	180	105.83	10	3.10	14	164	95.91	10	3.40	15	147	86.11	10	3.80	4.5	499	186.89	6.1	0.90			GR59	6P	12		195	114.17								5.5	1.45	4.9	459	172.17	6.7	0.95	GRF59	5.7	395	147.92	6.9	1.10	6.6	344	128.77	7.1	1.30	7.0	322			120.63	7.2	1.35	8.0	284	106.58	7.3	1.55	8.6	264	98.99	7.3	1.70	2.2	1027	289.74	27	3.00	2.5	906	255.71			27	3.30	2.7			855	241.25	27	3.50	3.0	766	216.28	27	4.00	2.6	878	247.61	19	1.80	2.9	771	217.48	19	2.00	3.1	732	206.6	19	2.20	3.5	647	182.55	19	2.40	3.8	590	166.59	11	1.40	4.4	516	145.67	11	1.60	4.6	490	138.39	11	1.70	5.3	430	121.42	12	1.90	4.4	521	195.24	11	1.55	5.1	445	166.59	12	1.80	5.8	389	145.67	12	2.10	6.8	333	195.24	12	2.30	8.0	284	166.59	12	2.70	9.1	248	145.67	12	3.10	9.6	236	138.39	12	3.20	11	207	121.42	12	3.70	4.0	560	158.14	7.7	1.10	4.6	488	137.67	8.3	1.25	5.0	457	128.97	8.5	1.35	5.6	404	113.94	8.9	1.50	4.3	533	199.81	7.8	1.10	4.6	491	184.07	8.2	1.20	5.4	422	158.14	8.7	1.40	6.2	367	137.67	9.0	1.60	6.6	344	128.97	9.1	1.70	7.5	304	113.94	9.3	1.95	8.0	282	105.83	9.4	2.10	6.7	341	199.81	9.1	1.65	7.2	314	184.07	9.2	1.80	8.4	270	158.14	9.4	2.10	9.7	235	137.67	10	2.40	10	220	128.97	10	2.50	12	194	113.94	10	2.90	13	180	105.83	10	3.10	14	164	95.91	10	3.40	15	147	86.11	10	3.80	4.5	499	186.89	6.1	0.90	4.9	459	172.17	6.7	0.95	5.7	395	147.92	6.9	1.10	6.6	344	128.77	7.1	1.30	7.0	322	120.63	7.2	1.35	8.0	284	106.58	7.3	1.55	8.6	264	98.99	7.3	1.70																																																																																																																																																																																																						
9.6	236	138.39	12	3.20			11	207	121.42	12	3.70	4.0			560	158.14	7.7	1.10	GR69	8P	8.2	278	162.94			5.1	1.00	4.6			488	137.67	8.3	1.25	GRF69	5.0			457	128.97	8.5	1.35	5.6	404	113.94	8.9	1.50	4.3	533	199.81	7.8	1.10	GR69	6P	9.5			239	139.99	5.3	1.15	4.6			491	184.07	8.2	1.20			GRF69	5.4	422	158.14	8.7	1.40	6.2	367	137.67	9.0	1.60	6.6	344	128.97	9.1	1.70	7.5	304			113.94	9.3	1.95	8.0	282	105.83	9.4	2.10	6.7	341	199.81	9.1	1.65	7.2	314	184.07	9.2	1.80	GR49					4P	11	208	121.87	5.5			1.35	8.4	270	158.14			9.4	2.10	GRF49	9.7	235	137.67	10	2.40	10	220	128.97	10	2.50	12	194	113.94	10	2.90			13	180	105.83	10	3.10	14	164	95.91	10	3.40	15	147	86.11	10	3.80	4.5	499	186.89	6.1	0.90	GR59					6P		12	195								114.17	5.5	1.45	4.9	459	172.17	6.7	0.95	GRF59	5.7	395	147.92	6.9	1.10	6.6	344	128.77	7.1	1.30	7.0			322	120.63	7.2	1.35	8.0	284	106.58	7.3	1.55	8.6	264	98.99	7.3	1.70	2.2	1027	289.74	27	3.00	2.5	906			255.71	27	3.30	2.7	855	241.25	27	3.50	3.0	766	216.28	27	4.00	2.6	878	247.61	19	1.80	2.9	771	217.48	19	2.00	3.1	732	206.6	19	2.20	3.5	647	182.55	19	2.40	3.8	590	166.59	11	1.40	4.4	516	145.67	11	1.60	4.6	490	138.39	11	1.70	5.3	430	121.42	12	1.90	4.4	521	195.24	11	1.55	5.1	445	166.59	12	1.80	5.8	389	145.67	12	2.10	6.8	333	195.24	12	2.30	8.0	284	166.59	12	2.70	9.1	248	145.67	12	3.10	9.6	236	138.39	12	3.20	11	207	121.42	12	3.70	4.0	560	158.14	7.7	1.10	4.6	488	137.67	8.3	1.25	5.0	457	128.97	8.5	1.35	5.6	404	113.94	8.9	1.50	4.3	533	199.81	7.8	1.10	4.6	491	184.07	8.2	1.20	5.4	422	158.14	8.7	1.40	6.2	367	137.67	9.0	1.60	6.6	344	128.97	9.1	1.70	7.5	304	113.94	9.3	1.95	8.0	282	105.83	9.4	2.10	6.7	341	199.81	9.1	1.65	7.2	314	184.07	9.2	1.80	8.4	270	158.14	9.4	2.10	9.7	235	137.67	10	2.40	10	220	128.97	10	2.50	12	194	113.94	10	2.90	13	180	105.83	10	3.10	14	164	95.91	10	3.40	15	147	86.11	10	3.80	4.5	499	186.89	6.1	0.90	4.9	459	172.17	6.7	0.95	5.7	395	147.92	6.9	1.10	6.6	344	128.77	7.1	1.30	7.0	322	120.63	7.2	1.35	8.0	284	106.58	7.3	1.55	8.6	264	98.99	7.3	1.70																																																																																																																																																																																																							
11	207	121.42	12	3.70			4.0	560	158.14	7.7	1.10	GR69	8P	8.2	278	162.94	5.1	1.00			4.6	488	137.67			8.3	1.25	GRF69			5.0	457	128.97	8.5	1.35	5.6	404	113.94	8.9	1.50	4.3	533	199.81	7.8	1.10	GR69	6P	9.5	239	139.99	5.3	1.15			4.6			491	184.07	8.2	1.20	GRF69			5.4	422	158.14	8.7			1.40	6.2	367	137.67	9.0	1.60	6.6	344	128.97	9.1	1.70	7.5	304	113.94	9.3	1.95	8.0	282			105.83	9.4	2.10	6.7	341	199.81	9.1	1.65	7.2	314	184.07	9.2	1.80	GR49	4P	11	208	121.87		5.5	1.35				8.4	270	158.14	9.4			2.10	GRF49	9.7	235			137.67	10	2.40	10	220	128.97	10	2.50	12	194	113.94	10	2.90	13	180	105.83	10	3.10			14	164	95.91	10	3.40	15	147	86.11	10	3.80	4.5	499	186.89	6.1	0.90	GR59	6P	12	195	114.17								5.5	1.45		4.9	459					172.17	6.7	0.95	GRF59	5.7	395	147.92	6.9	1.10	6.6	344	128.77	7.1	1.30	7.0	322	120.63	7.2	1.35	8.0			284	106.58	7.3	1.55	8.6	264	98.99	7.3	1.70	2.2	1027	289.74	27	3.00	2.5	906	255.71	27	3.30	2.7	855	241.25	27	3.50	3.0	766	216.28	27	4.00	2.6	878	247.61	19	1.80	2.9	771	217.48	19	2.00	3.1	732	206.6	19	2.20	3.5	647	182.55	19	2.40	3.8	590	166.59	11	1.40	4.4	516	145.67	11	1.60	4.6	490	138.39	11	1.70	5.3	430	121.42	12	1.90	4.4	521	195.24	11	1.55	5.1	445	166.59	12	1.80	5.8	389	145.67	12	2.10	6.8	333	195.24	12	2.30	8.0	284	166.59	12	2.70	9.1	248	145.67	12	3.10	9.6	236	138.39	12	3.20	11	207	121.42	12	3.70	4.0	560	158.14	7.7	1.10	4.6	488	137.67	8.3	1.25	5.0	457	128.97	8.5	1.35	5.6	404	113.94	8.9	1.50	4.3	533	199.81	7.8	1.10	4.6	491	184.07	8.2	1.20	5.4	422	158.14	8.7	1.40	6.2	367	137.67	9.0	1.60	6.6	344	128.97	9.1	1.70	7.5	304	113.94	9.3	1.95	8.0	282	105.83	9.4	2.10	6.7	341	199.81	9.1	1.65	7.2	314	184.07	9.2	1.80	8.4	270	158.14	9.4	2.10	9.7	235	137.67	10	2.40	10	220	128.97	10	2.50	12	194	113.94	10	2.90	13	180	105.83	10	3.10	14	164	95.91	10	3.40	15	147	86.11	10	3.80	4.5	499	186.89	6.1	0.90	4.9	459	172.17	6.7	0.95	5.7	395	147.92	6.9	1.10	6.6	344	128.77	7.1	1.30	7.0	322	120.63	7.2	1.35	8.0	284	106.58	7.3	1.55	8.6	264	98.99	7.3	1.70																																																																																																																																																																																																														
4.0	560	158.14	7.7	1.10	GR69	8P	8.2	278	162.94	5.1	1.00																																																																																																																																																																																																																																																																																																																																																																																																																																																																																																																																																																																																																																																																			
4.6	488	137.67	8.3	1.25			GRF69	5.0	457	128.97	8.5			1.35	5.6	404	113.94	8.9			1.50	4.3	533	199.81	7.8	1.10	GR69	6P	9.5	239	139.99	5.3	1.15	4.6	491	184.07	8.2	1.20	GRF69	5.4	422	158.14	8.7	1.40	6.2			367	137.67	9.0	1.60	6.6			344			128.97	9.1	1.70	7.5	304			113.94	9.3	1.95	8.0			282	105.83	9.4	2.10	6.7	341	199.81	9.1	1.65	7.2	314	184.07	9.2	1.80	GR49	4P	11	208	121.87	5.5	1.35	8.4	270	158.14	9.4	2.10	GRF49	9.7	235	137.67	10	2.40	10			220	128.97	10		2.50	12				194	113.94	10	2.90			13	180	105.83	10			3.10	14	164	95.91	10	3.40	15	147	86.11	10	3.80	4.5	499	186.89	6.1	0.90	GR59	6P			12	195	114.17	5.5	1.45	4.9	459	172.17	6.7	0.95	GRF59	5.7	395	147.92	6.9			1.10	6.6	344		128.77	7.1				1.30	7.0	322	120.63	7.2	1.35					8.0	284	106.58	7.3	1.55	8.6	264	98.99	7.3	1.70	2.2	1027	289.74	27	3.00	2.5	906	255.71	27	3.30	2.7	855	241.25	27	3.50	3.0	766	216.28	27	4.00	2.6	878	247.61	19	1.80	2.9	771	217.48	19	2.00	3.1	732	206.6	19	2.20	3.5	647	182.55	19	2.40	3.8	590	166.59	11	1.40	4.4	516	145.67	11	1.60	4.6	490	138.39	11	1.70	5.3	430	121.42	12	1.90	4.4	521	195.24	11	1.55	5.1	445	166.59	12	1.80	5.8	389	145.67	12	2.10	6.8	333	195.24	12	2.30	8.0	284	166.59	12	2.70	9.1	248	145.67	12	3.10	9.6	236	138.39	12	3.20	11	207	121.42	12	3.70	4.0	560	158.14	7.7	1.10	4.6	488	137.67	8.3	1.25	5.0	457	128.97	8.5	1.35	5.6	404	113.94	8.9	1.50	4.3	533	199.81	7.8	1.10	4.6	491	184.07	8.2	1.20	5.4	422	158.14	8.7	1.40	6.2	367	137.67	9.0	1.60	6.6	344	128.97	9.1	1.70	7.5	304	113.94	9.3	1.95	8.0	282	105.83	9.4	2.10	6.7	341	199.81	9.1	1.65	7.2	314	184.07	9.2	1.80	8.4	270	158.14	9.4	2.10	9.7	235	137.67	10	2.40	10	220	128.97	10	2.50	12	194	113.94	10	2.90	13	180	105.83	10	3.10	14	164	95.91	10	3.40	15	147	86.11	10	3.80	4.5	499	186.89	6.1	0.90	4.9	459	172.17	6.7	0.95	5.7	395	147.92	6.9	1.10	6.6	344	128.77	7.1	1.30	7.0	322	120.63	7.2	1.35	8.0	284	106.58	7.3	1.55	8.6	264	98.99	7.3	1.70																																																																																																																																																																																																																																			
5.0	457	128.97	8.5	1.35			5.6	404	113.94	8.9	1.50			4.3	533	199.81	7.8	1.10	GR69	6P	9.5	239	139.99	5.3	1.15	4.6			491	184.07	8.2	1.20	GRF69	5.4	422	158.14	8.7	1.40	6.2	367	137.67	9.0	1.60	6.6	344			128.97	9.1	1.70	7.5	304			113.94			9.3	1.95	8.0	282	105.83			9.4	2.10	6.7	341			199.81	9.1	1.65	7.2	314	184.07	9.2	1.80	GR49	4P	11	208	121.87	5.5			1.35	8.4	270	158.14	9.4	2.10	GRF49	9.7	235	137.67	10	2.40	10	220	128.97	10	2.50			12	194	113.94		10	2.90				13	180	105.83	10			3.10	14	164	95.91			10	3.40	15	147	86.11	10	3.80	4.5	499	186.89	6.1	0.90	GR59	6P	12	195					114.17	5.5	1.45	4.9	459	172.17	6.7	0.95	GRF59	5.7	395	147.92	6.9	1.10	6.6			344	128.77	7.1		1.30	7.0				322	120.63	7.2	1.35	8.0	284					106.58	7.3	1.55	8.6	264	98.99	7.3	1.70	2.2	1027	289.74	27	3.00	2.5	906	255.71	27	3.30	2.7	855	241.25	27	3.50	3.0	766	216.28	27	4.00	2.6	878	247.61	19	1.80	2.9	771	217.48	19	2.00	3.1	732	206.6	19	2.20	3.5	647	182.55	19	2.40	3.8	590	166.59	11	1.40	4.4	516	145.67	11	1.60	4.6	490	138.39	11	1.70	5.3	430	121.42	12	1.90	4.4	521	195.24	11	1.55	5.1	445	166.59	12	1.80	5.8	389	145.67	12	2.10	6.8	333	195.24	12	2.30	8.0	284	166.59	12	2.70	9.1	248	145.67	12	3.10	9.6	236	138.39	12	3.20	11	207	121.42	12	3.70	4.0	560	158.14	7.7	1.10	4.6	488	137.67	8.3	1.25	5.0	457	128.97	8.5	1.35	5.6	404	113.94	8.9	1.50	4.3	533	199.81	7.8	1.10	4.6	491	184.07	8.2	1.20	5.4	422	158.14	8.7	1.40	6.2	367	137.67	9.0	1.60	6.6	344	128.97	9.1	1.70	7.5	304	113.94	9.3	1.95	8.0	282	105.83	9.4	2.10	6.7	341	199.81	9.1	1.65	7.2	314	184.07	9.2	1.80	8.4	270	158.14	9.4	2.10	9.7	235	137.67	10	2.40	10	220	128.97	10	2.50	12	194	113.94	10	2.90	13	180	105.83	10	3.10	14	164	95.91	10	3.40	15	147	86.11	10	3.80	4.5	499	186.89	6.1	0.90	4.9	459	172.17	6.7	0.95	5.7	395	147.92	6.9	1.10	6.6	344	128.77	7.1	1.30	7.0	322	120.63	7.2	1.35	8.0	284	106.58	7.3	1.55	8.6	264	98.99	7.3	1.70																																																																																																																																																																																																																																					
5.6	404	113.94	8.9	1.50			4.3	533	199.81	7.8	1.10	GR69	6P	9.5	239	139.99	5.3	1.15			4.6	491	184.07	8.2	1.20	GRF69			5.4	422	158.14	8.7	1.40	6.2	367	137.67	9.0	1.60	6.6	344	128.97	9.1	1.70	7.5	304			113.94	9.3	1.95	8.0	282			105.83			9.4	2.10	6.7	341	199.81			9.1	1.65	7.2	314	184.07	9.2	1.80	GR49	4P	11	208	121.87	5.5	1.35			8.4	270	158.14	9.4			2.10	GRF49	9.7	235	137.67	10	2.40	10	220	128.97	10	2.50	12	194	113.94	10	2.90			13	180	105.83		10	3.10				14	164	95.91	10			3.40	15	147	86.11			10	3.80	4.5	499	186.89	6.1	0.90	GR59	6P	12	195	114.17			5.5	1.45			4.9	459	172.17	6.7	0.95	GRF59	5.7	395	147.92	6.9	1.10	6.6	344	128.77	7.1	1.30	7.0			322	120.63	7.2		1.35	8.0				284	106.58	7.3	1.55	8.6	264			98.99	7.3	1.70	2.2	1027	289.74	27	3.00	2.5	906	255.71	27	3.30	2.7	855	241.25	27	3.50	3.0	766	216.28	27	4.00	2.6	878	247.61	19	1.80	2.9	771	217.48	19	2.00	3.1	732	206.6	19	2.20	3.5	647	182.55	19	2.40	3.8	590	166.59	11	1.40	4.4	516	145.67	11	1.60	4.6	490	138.39	11	1.70	5.3	430	121.42	12	1.90	4.4	521	195.24	11	1.55	5.1	445	166.59	12	1.80	5.8	389	145.67	12	2.10	6.8	333	195.24	12	2.30	8.0	284	166.59	12	2.70	9.1	248	145.67	12	3.10	9.6	236	138.39	12	3.20	11	207	121.42	12	3.70	4.0	560	158.14	7.7	1.10	4.6	488	137.67	8.3	1.25	5.0	457	128.97	8.5	1.35	5.6	404	113.94	8.9	1.50	4.3	533	199.81	7.8	1.10	4.6	491	184.07	8.2	1.20	5.4	422	158.14	8.7	1.40	6.2	367	137.67	9.0	1.60	6.6	344	128.97	9.1	1.70	7.5	304	113.94	9.3	1.95	8.0	282	105.83	9.4	2.10	6.7	341	199.81	9.1	1.65	7.2	314	184.07	9.2	1.80	8.4	270	158.14	9.4	2.10	9.7	235	137.67	10	2.40	10	220	128.97	10	2.50	12	194	113.94	10	2.90	13	180	105.83	10	3.10	14	164	95.91	10	3.40	15	147	86.11	10	3.80	4.5	499	186.89	6.1	0.90	4.9	459	172.17	6.7	0.95	5.7	395	147.92	6.9	1.10	6.6	344	128.77	7.1	1.30	7.0	322	120.63	7.2	1.35	8.0	284	106.58	7.3	1.55	8.6	264	98.99	7.3	1.70																																																																																																																																																																																																																																												
4.3	533	199.81	7.8	1.10	GR69	6P	9.5	239	139.99	5.3	1.15																																																																																																																																																																																																																																																																																																																																																																																																																																																																																																																																																																																																																																																																			
4.6	491	184.07	8.2	1.20			GRF69	5.4	422	158.14	8.7			1.40	6.2	367	137.67	9.0			1.60	6.6	344	128.97	9.1	1.70			7.5	304	113.94	9.3	1.95	8.0	282	105.83	9.4	2.10	6.7	341	199.81	9.1	1.65	7.2	314			184.07	9.2	1.80	GR49	4P			11	208	121.87	5.5	1.35	8.4	270	158.14	9.4	2.10	GRF49	9.7	235	137.67	10	2.40	10			220	128.97	10	2.50	12			194	113.94	10	2.90			13	180	105.83	10	3.10	14	164	95.91	10	3.40	15	147	86.11	10	3.80	4.5	499			186.89	6.1	0.90		GR59	6P				12	195	114.17	5.5			1.45	4.9	459	172.17	6.7	0.95	GRF59	5.7	395	147.92	6.9	1.10	6.6			344	128.77	7.1			1.30	7.0			322	120.63	7.2	1.35	8.0	284	106.58	7.3	1.55	8.6	264	98.99	7.3	1.70	2.2	1027	289.74			27	3.00	2.5		906	255.71	27	3.30		2.7	855	241.25	27	3.50	3.0	766	216.28	27	4.00	2.6	878	247.61	19	1.80	2.9	771	217.48	19	2.00	3.1	732	206.6	19	2.20	3.5	647	182.55	19	2.40	3.8	590	166.59	11	1.40	4.4	516	145.67	11	1.60	4.6	490	138.39	11	1.70	5.3	430	121.42	12	1.90	4.4	521	195.24	11	1.55	5.1	445	166.59	12	1.80	5.8	389	145.67	12	2.10	6.8	333	195.24	12	2.30	8.0	284	166.59	12	2.70	9.1	248	145.67	12	3.10	9.6	236	138.39	12	3.20	11	207	121.42	12	3.70	4.0	560	158.14	7.7	1.10	4.6	488	137.67	8.3	1.25	5.0	457	128.97	8.5	1.35	5.6	404	113.94	8.9	1.50	4.3	533	199.81	7.8	1.10	4.6	491	184.07	8.2	1.20	5.4	422	158.14	8.7	1.40	6.2	367	137.67	9.0	1.60	6.6	344	128.97	9.1	1.70	7.5	304	113.94	9.3	1.95	8.0	282	105.83	9.4	2.10	6.7	341	199.81	9.1	1.65	7.2	314	184.07	9.2	1.80	8.4	270	158.14	9.4	2.10	9.7	235	137.67	10	2.40	10	220	128.97	10	2.50	12	194	113.94	10	2.90	13	180	105.83	10	3.10	14	164	95.91	10	3.40	15	147	86.11	10	3.80	4.5	499	186.89	6.1	0.90	4.9	459	172.17	6.7	0.95	5.7	395	147.92	6.9	1.10	6.6	344	128.77	7.1	1.30	7.0	322	120.63	7.2	1.35	8.0	284	106.58	7.3	1.55	8.6	264	98.99	7.3	1.70																																																																																																																																																																																																																																																																	
5.4	422	158.14	8.7	1.40			6.2	367	137.67	9.0	1.60			6.6	344	128.97	9.1	1.70			7.5	304	113.94	9.3	1.95	8.0			282	105.83	9.4	2.10	6.7	341	199.81	9.1	1.65	7.2	314	184.07	9.2	1.80	GR49	4P	11			208	121.87	5.5			1.35	8.4	270	158.14	9.4	2.10	GRF49	9.7	235	137.67	10	2.40	10	220	128.97	10	2.50	12	194			113.94	10	2.90	13	180			105.83	10	3.10	14			164	95.91	10	3.40	15	147	86.11	10	3.80	4.5	499	186.89	6.1	0.90	GR59	6P	12			195	114.17	5.5							1.45	4.9	459	172.17	6.7	0.95	GRF59	5.7	395	147.92	6.9	1.10	6.6	344	128.77	7.1	1.30	7.0	322			120.63	7.2	1.35			8.0	284			106.58	7.3	1.55	8.6	264	98.99	7.3	1.70	2.2	1027	289.74	27	3.00	2.5	906	255.71	27			3.30	2.7	855	241.25	27	3.50	3.0	766	216.28	27	4.00	2.6	878	247.61	19	1.80	2.9	771	217.48	19	2.00	3.1	732	206.6	19	2.20	3.5	647	182.55	19	2.40	3.8	590	166.59	11	1.40	4.4	516	145.67	11	1.60	4.6	490	138.39	11	1.70	5.3	430	121.42	12	1.90	4.4	521	195.24	11	1.55	5.1	445	166.59	12	1.80	5.8	389	145.67	12	2.10	6.8	333	195.24	12	2.30	8.0	284	166.59	12	2.70	9.1	248	145.67	12	3.10	9.6	236	138.39	12	3.20	11	207	121.42	12	3.70	4.0	560	158.14	7.7	1.10	4.6	488	137.67	8.3	1.25	5.0	457	128.97	8.5	1.35	5.6	404	113.94	8.9	1.50	4.3	533	199.81	7.8	1.10	4.6	491	184.07	8.2	1.20	5.4	422	158.14	8.7	1.40	6.2	367	137.67	9.0	1.60	6.6	344	128.97	9.1	1.70	7.5	304	113.94	9.3	1.95	8.0	282	105.83	9.4	2.10	6.7	341	199.81	9.1	1.65	7.2	314	184.07	9.2	1.80	8.4	270	158.14	9.4	2.10	9.7	235	137.67	10	2.40	10	220	128.97	10	2.50	12	194	113.94	10	2.90	13	180	105.83	10	3.10	14	164	95.91	10	3.40	15	147	86.11	10	3.80	4.5	499	186.89	6.1	0.90	4.9	459	172.17	6.7	0.95	5.7	395	147.92	6.9	1.10	6.6	344	128.77	7.1	1.30	7.0	322	120.63	7.2	1.35	8.0	284	106.58	7.3	1.55	8.6	264	98.99	7.3	1.70																																																																																																																																																																																																																																																																									
6.2	367	137.67	9.0	1.60			6.6	344	128.97	9.1	1.70			7.5	304	113.94	9.3	1.95			8.0	282	105.83	9.4	2.10	6.7			341	199.81	9.1	1.65	7.2	314	184.07	9.2	1.80	GR49	4P	11	208	121.87			5.5	1.35	8.4	270	158.14	9.4			2.10	GRF49	9.7	235	137.67	10	2.40	10	220	128.97	10	2.50	12	194	113.94	10	2.90	13	180			105.83	10	3.10	14	164			95.91	10	3.40	15			147	86.11	10	3.80	4.5	499	186.89	6.1	0.90	GR59	6P	12	195	114.17			5.5			1.45	4.9	459				172.17	6.7		0.95	GRF59	5.7	395	147.92	6.9	1.10	6.6	344	128.77	7.1	1.30	7.0	322	120.63	7.2	1.35	8.0	284			106.58	7.3	1.55			8.6	264			98.99	7.3	1.70	2.2	1027	289.74	27	3.00	2.5	906	255.71	27	3.30	2.7	855	241.25	27	3.50	3.0	766	216.28	27	4.00	2.6	878	247.61	19	1.80	2.9	771	217.48	19	2.00	3.1	732	206.6	19	2.20	3.5	647	182.55	19	2.40	3.8	590	166.59	11	1.40	4.4	516	145.67	11	1.60	4.6	490	138.39	11	1.70	5.3	430	121.42	12	1.90	4.4	521	195.24	11	1.55	5.1	445	166.59	12	1.80	5.8	389	145.67	12	2.10	6.8	333	195.24	12	2.30	8.0	284	166.59	12	2.70	9.1	248	145.67	12	3.10	9.6	236	138.39	12	3.20	11	207	121.42	12	3.70	4.0	560	158.14	7.7	1.10	4.6	488	137.67	8.3	1.25	5.0	457	128.97	8.5	1.35	5.6	404	113.94	8.9	1.50	4.3	533	199.81	7.8	1.10	4.6	491	184.07	8.2	1.20	5.4	422	158.14	8.7	1.40	6.2	367	137.67	9.0	1.60	6.6	344	128.97	9.1	1.70	7.5	304	113.94	9.3	1.95	8.0	282	105.83	9.4	2.10	6.7	341	199.81	9.1	1.65	7.2	314	184.07	9.2	1.80	8.4	270	158.14	9.4	2.10	9.7	235	137.67	10	2.40	10	220	128.97	10	2.50	12	194	113.94	10	2.90	13	180	105.83	10	3.10	14	164	95.91	10	3.40	15	147	86.11	10	3.80	4.5	499	186.89	6.1	0.90	4.9	459	172.17	6.7	0.95	5.7	395	147.92	6.9	1.10	6.6	344	128.77	7.1	1.30	7.0	322	120.63	7.2	1.35	8.0	284	106.58	7.3	1.55	8.6	264	98.99	7.3	1.70																																																																																																																																																																																																																																																																																
6.6	344	128.97	9.1	1.70			7.5	304	113.94	9.3	1.95			8.0	282	105.83	9.4	2.10			6.7	341	199.81	9.1	1.65	7.2			314	184.07	9.2	1.80	GR49	4P	11	208	121.87			5.5	1.35	8.4			270	158.14	9.4	2.10	GRF49	9.7			235	137.67	10	2.40	10	220	128.97	10	2.50	12	194	113.94	10	2.90	13	180	105.83	10	3.10			14	164	95.91	10	3.40			15	147	86.11	10			3.80	4.5	499	186.89	6.1	0.90	GR59	6P	12			195	114.17	5.5			1.45			4.9	459	172.17	6.7			0.95	GRF59	5.7	395	147.92	6.9	1.10	6.6	344	128.77	7.1	1.30	7.0	322	120.63	7.2	1.35	8.0	284	106.58	7.3	1.55			8.6	264	98.99			7.3	1.70			2.2	1027	289.74	27	3.00	2.5	906	255.71	27	3.30	2.7	855	241.25	27	3.50	3.0	766	216.28	27	4.00	2.6	878	247.61	19	1.80	2.9	771	217.48	19	2.00	3.1	732	206.6	19	2.20	3.5	647	182.55	19	2.40	3.8	590	166.59	11	1.40	4.4	516	145.67	11	1.60	4.6	490	138.39	11	1.70	5.3	430	121.42	12	1.90	4.4	521	195.24	11	1.55	5.1	445	166.59	12	1.80	5.8	389	145.67	12	2.10	6.8	333	195.24	12	2.30	8.0	284	166.59	12	2.70	9.1	248	145.67	12	3.10	9.6	236	138.39	12	3.20	11	207	121.42	12	3.70	4.0	560	158.14	7.7	1.10	4.6	488	137.67	8.3	1.25	5.0	457	128.97	8.5	1.35	5.6	404	113.94	8.9	1.50	4.3	533	199.81	7.8	1.10	4.6	491	184.07	8.2	1.20	5.4	422	158.14	8.7	1.40	6.2	367	137.67	9.0	1.60	6.6	344	128.97	9.1	1.70	7.5	304	113.94	9.3	1.95	8.0	282	105.83	9.4	2.10	6.7	341	199.81	9.1	1.65	7.2	314	184.07	9.2	1.80	8.4	270	158.14	9.4	2.10	9.7	235	137.67	10	2.40	10	220	128.97	10	2.50	12	194	113.94	10	2.90	13	180	105.83	10	3.10	14	164	95.91	10	3.40	15	147	86.11	10	3.80	4.5	499	186.89	6.1	0.90	4.9	459	172.17	6.7	0.95	5.7	395	147.92	6.9	1.10	6.6	344	128.77	7.1	1.30	7.0	322	120.63	7.2	1.35	8.0	284	106.58	7.3	1.55	8.6	264	98.99	7.3	1.70																																																																																																																																																																																																																																																																																			
7.5	304	113.94	9.3	1.95			8.0	282	105.83	9.4	2.10			6.7	341	199.81	9.1	1.65			7.2	314	184.07	9.2	1.80	GR49	4P	11	208	121.87	5.5	1.35			8.4	270	158.14			9.4	2.10	GRF49			9.7	235	137.67	10	2.40	10			220	128.97	10	2.50	12	194	113.94	10	2.90	13	180	105.83	10	3.10	14	164	95.91	10	3.40			15	147	86.11	10	3.80			4.5	499	186.89	6.1			0.90	GR59	6P	12	195	114.17			5.5			1.45	4.9	459			172.17	6.7	0.95	GRF59	5.7	395	147.92			6.9	1.10	6.6	344	128.77	7.1	1.30	7.0	322	120.63	7.2	1.35	8.0	284	106.58	7.3	1.55	8.6	264	98.99	7.3	1.70			2.2	1027	289.74			27	3.00	2.5	906	255.71	27	3.30	2.7	855	241.25	27	3.50	3.0	766	216.28	27	4.00	2.6	878	247.61	19	1.80	2.9	771	217.48	19	2.00	3.1	732	206.6	19	2.20	3.5	647	182.55	19	2.40	3.8	590	166.59	11	1.40	4.4	516	145.67	11	1.60	4.6	490	138.39	11	1.70	5.3	430	121.42	12	1.90	4.4	521	195.24	11	1.55	5.1	445	166.59	12	1.80	5.8	389	145.67	12	2.10	6.8	333	195.24	12	2.30	8.0	284	166.59	12	2.70	9.1	248	145.67	12	3.10	9.6	236	138.39	12	3.20	11	207	121.42	12	3.70	4.0	560	158.14	7.7	1.10	4.6	488	137.67	8.3	1.25	5.0	457	128.97	8.5	1.35	5.6	404	113.94	8.9	1.50	4.3	533	199.81	7.8	1.10	4.6	491	184.07	8.2	1.20	5.4	422	158.14	8.7	1.40	6.2	367	137.67	9.0	1.60	6.6	344	128.97	9.1	1.70	7.5	304	113.94	9.3	1.95	8.0	282	105.83	9.4	2.10	6.7	341	199.81	9.1	1.65	7.2	314	184.07	9.2	1.80	8.4	270	158.14	9.4	2.10	9.7	235	137.67	10	2.40	10	220	128.97	10	2.50	12	194	113.94	10	2.90	13	180	105.83	10	3.10	14	164	95.91	10	3.40	15	147	86.11	10	3.80	4.5	499	186.89	6.1	0.90	4.9	459	172.17	6.7	0.95	5.7	395	147.92	6.9	1.10	6.6	344	128.77	7.1	1.30	7.0	322	120.63	7.2	1.35	8.0	284	106.58	7.3	1.55	8.6	264	98.99	7.3	1.70																																																																																																																																																																																																																																																																																										
8.0	282	105.83	9.4	2.10			6.7	341	199.81	9.1	1.65			7.2	314	184.07	9.2	1.80	GR49	4P	11	208	121.87	5.5	1.35			8.4	270	158.14	9.4	2.10			GRF49	9.7	235			137.67	10	2.40			10	220	128.97	10	2.50	12			194	113.94	10	2.90	13	180	105.83	10	3.10	14	164	95.91	10	3.40	15	147	86.11	10	3.80			4.5	499	186.89	6.1	0.90			GR59	6P	12	195			114.17			5.5	1.45	4.9			459			172.17	6.7	0.95			GRF59	5.7	395	147.92	6.9	1.10	6.6			344	128.77	7.1	1.30	7.0	322	120.63	7.2	1.35	8.0	284	106.58	7.3	1.55	8.6	264	98.99	7.3	1.70	2.2	1027	289.74			27	3.00	2.5	906	255.71	27	3.30	2.7	855	241.25	27	3.50	3.0	766	216.28	27	4.00	2.6	878	247.61	19	1.80	2.9	771	217.48	19	2.00	3.1	732	206.6	19	2.20	3.5	647	182.55	19	2.40	3.8	590	166.59	11	1.40	4.4	516	145.67	11	1.60	4.6	490	138.39	11	1.70	5.3	430	121.42	12	1.90	4.4	521	195.24	11	1.55	5.1	445	166.59	12	1.80	5.8	389	145.67	12	2.10	6.8	333	195.24	12	2.30	8.0	284	166.59	12	2.70	9.1	248	145.67	12	3.10	9.6	236	138.39	12	3.20	11	207	121.42	12	3.70	4.0	560	158.14	7.7	1.10	4.6	488	137.67	8.3	1.25	5.0	457	128.97	8.5	1.35	5.6	404	113.94	8.9	1.50	4.3	533	199.81	7.8	1.10	4.6	491	184.07	8.2	1.20	5.4	422	158.14	8.7	1.40	6.2	367	137.67	9.0	1.60	6.6	344	128.97	9.1	1.70	7.5	304	113.94	9.3	1.95	8.0	282	105.83	9.4	2.10	6.7	341	199.81	9.1	1.65	7.2	314	184.07	9.2	1.80	8.4	270	158.14	9.4	2.10	9.7	235	137.67	10	2.40	10	220	128.97	10	2.50	12	194	113.94	10	2.90	13	180	105.83	10	3.10	14	164	95.91	10	3.40	15	147	86.11	10	3.80	4.5	499	186.89	6.1	0.90	4.9	459	172.17	6.7	0.95	5.7	395	147.92	6.9	1.10	6.6	344	128.77	7.1	1.30	7.0	322	120.63	7.2	1.35	8.0	284	106.58	7.3	1.55	8.6	264	98.99	7.3	1.70																																																																																																																																																																																																																																																																																															
6.7	341	199.81	9.1	1.65			7.2	314	184.07	9.2	1.80	GR49	4P	11	208	121.87	5.5	1.35			8.4	270	158.14	9.4	2.10			GRF49	9.7	235	137.67	10			2.40	10	220			128.97	10	2.50			12	194	113.94	10	2.90	13			180	105.83	10	3.10	14	164	95.91	10	3.40	15	147	86.11	10	3.80	4.5	499	186.89	6.1	0.90			GR59	6P	12	195	114.17					5.5	1.45	4.9	459	172.17			6.7	0.95	GRF59			5.7			395	147.92	6.9			1.10	6.6	344	128.77	7.1	1.30	7.0			322	120.63	7.2	1.35	8.0	284	106.58	7.3	1.55	8.6	264	98.99	7.3	1.70	2.2	1027	289.74	27	3.00	2.5	906	255.71	27	3.30	2.7	855	241.25	27	3.50	3.0	766	216.28	27	4.00	2.6	878	247.61	19	1.80	2.9	771	217.48	19	2.00	3.1	732	206.6	19	2.20	3.5	647	182.55	19	2.40	3.8	590	166.59	11	1.40	4.4	516	145.67	11	1.60	4.6	490	138.39	11	1.70	5.3	430	121.42	12	1.90	4.4	521	195.24	11	1.55	5.1	445	166.59	12	1.80	5.8	389	145.67	12	2.10	6.8	333	195.24	12	2.30	8.0	284	166.59	12	2.70	9.1	248	145.67	12	3.10	9.6	236	138.39	12	3.20	11	207	121.42	12	3.70	4.0	560	158.14	7.7	1.10	4.6	488	137.67	8.3	1.25	5.0	457	128.97	8.5	1.35	5.6	404	113.94	8.9	1.50	4.3	533	199.81	7.8	1.10	4.6	491	184.07	8.2	1.20	5.4	422	158.14	8.7	1.40	6.2	367	137.67	9.0	1.60	6.6	344	128.97	9.1	1.70	7.5	304	113.94	9.3	1.95	8.0	282	105.83	9.4	2.10	6.7	341	199.81	9.1	1.65	7.2	314	184.07	9.2	1.80	8.4	270	158.14	9.4	2.10	9.7	235	137.67	10	2.40	10	220	128.97	10	2.50	12	194	113.94	10	2.90	13	180	105.83	10	3.10	14	164	95.91	10	3.40	15	147	86.11	10	3.80	4.5	499	186.89	6.1	0.90	4.9	459	172.17	6.7	0.95	5.7	395	147.92	6.9	1.10	6.6	344	128.77	7.1	1.30	7.0	322	120.63	7.2	1.35	8.0	284	106.58	7.3	1.55	8.6	264	98.99	7.3	1.70																																																																																																																																																																																																																																																																																																						
7.2	314	184.07	9.2	1.80	GR49	4P	11	208	121.87	5.5	1.35																																																																																																																																																																																																																																																																																																																																																																																																																																																																																																																																																																																																																																																																			
8.4	270	158.14	9.4	2.10			GRF49	9.7	235	137.67	10			2.40	10	220	128.97	10			2.50	12	194	113.94	10			2.90	13	180	105.83	10			3.10	14	164			95.91	10	3.40			15	147	86.11	10	3.80	4.5			499	186.89	6.1	0.90	GR59	6P	12	195	114.17	5.5	1.45	4.9	459	172.17	6.7	0.95	GRF59	5.7	395	147.92	6.9			1.10	6.6	344	128.77	7.1			1.30	7.0	322	120.63	7.2			1.35	8.0	284			106.58			7.3	1.55	8.6			264	98.99	7.3	1.70	2.2	1027	289.74	27	3.00	2.5	906	255.71	27	3.30	2.7	855	241.25	27	3.50	3.0	766	216.28	27	4.00	2.6	878	247.61	19	1.80	2.9	771	217.48	19	2.00	3.1	732	206.6	19	2.20	3.5	647	182.55	19	2.40	3.8	590	166.59	11	1.40	4.4	516	145.67	11	1.60	4.6	490	138.39	11	1.70	5.3	430	121.42	12	1.90	4.4	521	195.24	11	1.55	5.1	445	166.59	12	1.80	5.8	389	145.67	12	2.10	6.8	333	195.24	12	2.30	8.0	284	166.59	12	2.70	9.1	248	145.67	12	3.10	9.6	236	138.39	12	3.20	11	207	121.42	12	3.70	4.0	560	158.14	7.7	1.10	4.6	488	137.67	8.3	1.25	5.0	457	128.97	8.5	1.35	5.6	404	113.94	8.9	1.50	4.3	533	199.81	7.8	1.10	4.6	491	184.07	8.2	1.20	5.4	422	158.14	8.7	1.40	6.2	367	137.67	9.0	1.60	6.6	344	128.97	9.1	1.70	7.5	304	113.94	9.3	1.95	8.0	282	105.83	9.4	2.10	6.7	341	199.81	9.1	1.65	7.2	314	184.07	9.2	1.80	8.4	270	158.14	9.4	2.10	9.7	235	137.67	10	2.40	10	220	128.97	10	2.50	12	194	113.94	10	2.90	13	180	105.83	10	3.10	14	164	95.91	10	3.40	15	147	86.11	10	3.80	4.5	499	186.89	6.1	0.90	4.9	459	172.17	6.7	0.95	5.7	395	147.92	6.9	1.10	6.6	344	128.77	7.1	1.30	7.0	322	120.63	7.2	1.35	8.0	284	106.58	7.3	1.55	8.6	264	98.99	7.3	1.70																																																																																																																																																																																																																																																																																																																									
9.7	235	137.67	10	2.40			10	220	128.97	10	2.50			12	194	113.94	10	2.90			13	180	105.83	10	3.10			14	164	95.91	10	3.40			15	147	86.11			10	3.80	4.5			499	186.89	6.1	0.90	GR59	6P			12	195	114.17	5.5			1.45	4.9	459	172.17	6.7	0.95	GRF59	5.7	395	147.92	6.9	1.10	6.6	344	128.77			7.1	1.30	7.0	322	120.63			7.2	1.35	8.0	284	106.58			7.3	1.55	8.6			264			98.99	7.3	1.70	2.2	1027	289.74	27	3.00	2.5	906	255.71	27	3.30	2.7	855	241.25	27	3.50	3.0	766	216.28	27	4.00	2.6	878	247.61	19	1.80	2.9	771	217.48	19	2.00	3.1	732	206.6	19	2.20	3.5	647	182.55	19	2.40	3.8	590	166.59	11	1.40	4.4	516	145.67	11	1.60	4.6	490	138.39	11	1.70	5.3	430	121.42	12	1.90	4.4	521	195.24	11	1.55	5.1	445	166.59	12	1.80	5.8	389	145.67	12	2.10	6.8	333	195.24	12	2.30	8.0	284	166.59	12	2.70	9.1	248	145.67	12	3.10	9.6	236	138.39	12	3.20	11	207	121.42	12	3.70	4.0	560	158.14	7.7	1.10	4.6	488	137.67	8.3	1.25	5.0	457	128.97	8.5	1.35	5.6	404	113.94	8.9	1.50	4.3	533	199.81	7.8	1.10	4.6	491	184.07	8.2	1.20	5.4	422	158.14	8.7	1.40	6.2	367	137.67	9.0	1.60	6.6	344	128.97	9.1	1.70	7.5	304	113.94	9.3	1.95	8.0	282	105.83	9.4	2.10	6.7	341	199.81	9.1	1.65	7.2	314	184.07	9.2	1.80	8.4	270	158.14	9.4	2.10	9.7	235	137.67	10	2.40	10	220	128.97	10	2.50	12	194	113.94	10	2.90	13	180	105.83	10	3.10	14	164	95.91	10	3.40	15	147	86.11	10	3.80	4.5	499	186.89	6.1	0.90	4.9	459	172.17	6.7	0.95	5.7	395	147.92	6.9	1.10	6.6	344	128.77	7.1	1.30	7.0	322	120.63	7.2	1.35	8.0	284	106.58	7.3	1.55	8.6	264	98.99	7.3	1.70																																																																																																																																																																																																																																																																																																																															
10	220	128.97	10	2.50			12	194	113.94	10	2.90			13	180	105.83	10	3.10			14	164	95.91	10	3.40			15	147	86.11	10	3.80			4.5	499	186.89			6.1	0.90	GR59			6P	12	195	114.17			5.5	1.45	4.9	459	172.17	6.7			0.95	GRF59	5.7	395	147.92	6.9	1.10	6.6	344	128.77	7.1	1.30	7.0	322	120.63			7.2	1.35	8.0	284	106.58			7.3	1.55	8.6	264	98.99			7.3	1.70	2.2			1027	289.74	27	3.00	2.5	906	255.71	27	3.30	2.7	855	241.25	27	3.50	3.0	766	216.28	27	4.00	2.6	878	247.61	19	1.80	2.9	771	217.48	19	2.00	3.1	732	206.6	19	2.20	3.5	647	182.55	19	2.40	3.8	590	166.59	11	1.40	4.4	516	145.67	11	1.60	4.6	490	138.39	11	1.70	5.3	430	121.42	12	1.90	4.4	521	195.24	11	1.55	5.1	445	166.59	12	1.80	5.8	389	145.67	12	2.10	6.8	333	195.24	12	2.30	8.0	284	166.59	12	2.70	9.1	248	145.67	12	3.10	9.6	236	138.39	12	3.20	11	207	121.42	12	3.70	4.0	560	158.14	7.7	1.10	4.6	488	137.67	8.3	1.25	5.0	457	128.97	8.5	1.35	5.6	404	113.94	8.9	1.50	4.3	533	199.81	7.8	1.10	4.6	491	184.07	8.2	1.20	5.4	422	158.14	8.7	1.40	6.2	367	137.67	9.0	1.60	6.6	344	128.97	9.1	1.70	7.5	304	113.94	9.3	1.95	8.0	282	105.83	9.4	2.10	6.7	341	199.81	9.1	1.65	7.2	314	184.07	9.2	1.80	8.4	270	158.14	9.4	2.10	9.7	235	137.67	10	2.40	10	220	128.97	10	2.50	12	194	113.94	10	2.90	13	180	105.83	10	3.10	14	164	95.91	10	3.40	15	147	86.11	10	3.80	4.5	499	186.89	6.1	0.90	4.9	459	172.17	6.7	0.95	5.7	395	147.92	6.9	1.10	6.6	344	128.77	7.1	1.30	7.0	322	120.63	7.2	1.35	8.0	284	106.58	7.3	1.55	8.6	264	98.99	7.3	1.70																																																																																																																																																																																																																																																																																																																																						
12	194	113.94	10	2.90			13	180	105.83	10	3.10			14	164	95.91	10	3.40			15	147	86.11	10	3.80			4.5	499	186.89	6.1	0.90			GR59	6P	12			195	114.17		5.5	1.45		4.9	459	172.17			6.7	0.95	GRF59	5.7	395	147.92			6.9	1.10	6.6	344	128.77	7.1	1.30	7.0	322	120.63	7.2	1.35	8.0	284	106.58			7.3	1.55	8.6	264	98.99			7.3	1.70	2.2	1027	289.74			27	3.00	2.5	906	255.71	27	3.30	2.7	855	241.25	27	3.50	3.0	766	216.28	27	4.00	2.6	878	247.61	19	1.80	2.9	771	217.48	19	2.00	3.1	732	206.6	19	2.20	3.5	647	182.55	19	2.40	3.8	590	166.59	11	1.40	4.4	516	145.67	11	1.60	4.6	490	138.39	11	1.70	5.3	430	121.42	12	1.90	4.4	521	195.24	11	1.55	5.1	445	166.59	12	1.80	5.8	389	145.67	12	2.10	6.8	333	195.24	12	2.30	8.0	284	166.59	12	2.70	9.1	248	145.67	12	3.10	9.6	236	138.39	12	3.20	11	207	121.42	12	3.70	4.0	560	158.14	7.7	1.10	4.6	488	137.67	8.3	1.25	5.0	457	128.97	8.5	1.35	5.6	404	113.94	8.9	1.50	4.3	533	199.81	7.8	1.10	4.6	491	184.07	8.2	1.20	5.4	422	158.14	8.7	1.40	6.2	367	137.67	9.0	1.60	6.6	344	128.97	9.1	1.70	7.5	304	113.94	9.3	1.95	8.0	282	105.83	9.4	2.10	6.7	341	199.81	9.1	1.65	7.2	314	184.07	9.2	1.80	8.4	270	158.14	9.4	2.10	9.7	235	137.67	10	2.40	10	220	128.97	10	2.50	12	194	113.94	10	2.90	13	180	105.83	10	3.10	14	164	95.91	10	3.40	15	147	86.11	10	3.80	4.5	499	186.89	6.1	0.90	4.9	459	172.17	6.7	0.95	5.7	395	147.92	6.9	1.10	6.6	344	128.77	7.1	1.30	7.0	322	120.63	7.2	1.35	8.0	284	106.58	7.3	1.55	8.6	264	98.99	7.3	1.70																																																																																																																																																																																																																																																																																																																																													
13	180	105.83	10	3.10			14	164	95.91	10	3.40			15	147	86.11	10	3.80			4.5	499	186.89	6.1	0.90			GR59	6P	12	195	114.17					5.5	1.45	4.9	459	172.17		6.7	0.95		GRF59	5.7	395			147.92	6.9	1.10	6.6	344	128.77			7.1	1.30	7.0	322	120.63	7.2	1.35	8.0	284	106.58	7.3	1.55	8.6	264	98.99			7.3	1.70	2.2	1027	289.74			27	3.00	2.5	906	255.71	27	3.30	2.7	855	241.25	27	3.50	3.0	766	216.28	27	4.00	2.6	878	247.61	19	1.80	2.9	771	217.48	19	2.00	3.1	732	206.6	19	2.20	3.5	647	182.55	19	2.40	3.8	590	166.59	11	1.40	4.4	516	145.67	11	1.60	4.6	490	138.39	11	1.70	5.3	430	121.42	12	1.90	4.4	521	195.24	11	1.55	5.1	445	166.59	12	1.80	5.8	389	145.67	12	2.10	6.8	333	195.24	12	2.30	8.0	284	166.59	12	2.70	9.1	248	145.67	12	3.10	9.6	236	138.39	12	3.20	11	207	121.42	12	3.70	4.0	560	158.14	7.7	1.10	4.6	488	137.67	8.3	1.25	5.0	457	128.97	8.5	1.35	5.6	404	113.94	8.9	1.50	4.3	533	199.81	7.8	1.10	4.6	491	184.07	8.2	1.20	5.4	422	158.14	8.7	1.40	6.2	367	137.67	9.0	1.60	6.6	344	128.97	9.1	1.70	7.5	304	113.94	9.3	1.95	8.0	282	105.83	9.4	2.10	6.7	341	199.81	9.1	1.65	7.2	314	184.07	9.2	1.80	8.4	270	158.14	9.4	2.10	9.7	235	137.67	10	2.40	10	220	128.97	10	2.50	12	194	113.94	10	2.90	13	180	105.83	10	3.10	14	164	95.91	10	3.40	15	147	86.11	10	3.80	4.5	499	186.89	6.1	0.90	4.9	459	172.17	6.7	0.95	5.7	395	147.92	6.9	1.10	6.6	344	128.77	7.1	1.30	7.0	322	120.63	7.2	1.35	8.0	284	106.58	7.3	1.55	8.6	264	98.99	7.3	1.70																																																																																																																																																																																																																																																																																																																																																				
14	164	95.91	10	3.40			15	147	86.11	10	3.80			4.5	499	186.89	6.1	0.90			GR59	6P	12	195	114.17					5.5	1.45	4.9	459	172.17			6.7	0.95	GRF59	5.7	395		147.92	6.9		1.10	6.6	344			128.77	7.1	1.30	7.0	322	120.63			7.2	1.35	8.0	284	106.58	7.3	1.55	8.6	264	98.99	7.3	1.70	2.2	1027	289.74			27	3.00	2.5	906	255.71	27	3.30	2.7	855	241.25	27	3.50	3.0	766	216.28	27	4.00	2.6	878	247.61	19	1.80	2.9	771	217.48	19	2.00	3.1	732	206.6	19	2.20	3.5	647	182.55	19	2.40	3.8	590	166.59	11	1.40	4.4	516	145.67	11	1.60	4.6	490	138.39	11	1.70	5.3	430	121.42	12	1.90	4.4	521	195.24	11	1.55	5.1	445	166.59	12	1.80	5.8	389	145.67	12	2.10	6.8	333	195.24	12	2.30	8.0	284	166.59	12	2.70	9.1	248	145.67	12	3.10	9.6	236	138.39	12	3.20	11	207	121.42	12	3.70	4.0	560	158.14	7.7	1.10	4.6	488	137.67	8.3	1.25	5.0	457	128.97	8.5	1.35	5.6	404	113.94	8.9	1.50	4.3	533	199.81	7.8	1.10	4.6	491	184.07	8.2	1.20	5.4	422	158.14	8.7	1.40	6.2	367	137.67	9.0	1.60	6.6	344	128.97	9.1	1.70	7.5	304	113.94	9.3	1.95	8.0	282	105.83	9.4	2.10	6.7	341	199.81	9.1	1.65	7.2	314	184.07	9.2	1.80	8.4	270	158.14	9.4	2.10	9.7	235	137.67	10	2.40	10	220	128.97	10	2.50	12	194	113.94	10	2.90	13	180	105.83	10	3.10	14	164	95.91	10	3.40	15	147	86.11	10	3.80	4.5	499	186.89	6.1	0.90	4.9	459	172.17	6.7	0.95	5.7	395	147.92	6.9	1.10	6.6	344	128.77	7.1	1.30	7.0	322	120.63	7.2	1.35	8.0	284	106.58	7.3	1.55	8.6	264	98.99	7.3	1.70																																																																																																																																																																																																																																																																																																																																																											
15	147	86.11	10	3.80			4.5	499	186.89	6.1	0.90			GR59	6P	12	195	114.17					5.5	1.45	4.9	459	172.17			6.7	0.95	GRF59	5.7	395			147.92	6.9	1.10	6.6	344		128.77	7.1		1.30	7.0	322			120.63	7.2	1.35	8.0	284	106.58			7.3	1.55	8.6	264	98.99	7.3	1.70	2.2	1027	289.74	27	3.00	2.5	906	255.71	27	3.30	2.7	855	241.25	27	3.50	3.0	766	216.28	27	4.00	2.6	878	247.61	19	1.80	2.9	771	217.48	19	2.00	3.1	732	206.6	19	2.20	3.5	647	182.55	19	2.40	3.8	590	166.59	11	1.40	4.4	516	145.67	11	1.60	4.6	490	138.39	11	1.70	5.3	430	121.42	12	1.90	4.4	521	195.24	11	1.55	5.1	445	166.59	12	1.80	5.8	389	145.67	12	2.10	6.8	333	195.24	12	2.30	8.0	284	166.59	12	2.70	9.1	248	145.67	12	3.10	9.6	236	138.39	12	3.20	11	207	121.42	12	3.70	4.0	560	158.14	7.7	1.10	4.6	488	137.67	8.3	1.25	5.0	457	128.97	8.5	1.35	5.6	404	113.94	8.9	1.50	4.3	533	199.81	7.8	1.10	4.6	491	184.07	8.2	1.20	5.4	422	158.14	8.7	1.40	6.2	367	137.67	9.0	1.60	6.6	344	128.97	9.1	1.70	7.5	304	113.94	9.3	1.95	8.0	282	105.83	9.4	2.10	6.7	341	199.81	9.1	1.65	7.2	314	184.07	9.2	1.80	8.4	270	158.14	9.4	2.10	9.7	235	137.67	10	2.40	10	220	128.97	10	2.50	12	194	113.94	10	2.90	13	180	105.83	10	3.10	14	164	95.91	10	3.40	15	147	86.11	10	3.80	4.5	499	186.89	6.1	0.90	4.9	459	172.17	6.7	0.95	5.7	395	147.92	6.9	1.10	6.6	344	128.77	7.1	1.30	7.0	322	120.63	7.2	1.35	8.0	284	106.58	7.3	1.55	8.6	264	98.99	7.3	1.70																																																																																																																																																																																																																																																																																																																																																																		
4.5	499	186.89	6.1	0.90			GR59	6P	12	195	114.17					5.5	1.45																																																																																																																																																																																																																																																																																																																																																																																																																																																																																																																																																																																																																																																													
4.9	459	172.17	6.7	0.95					GRF59	5.7	395	147.92	6.9			1.10	6.6	344	128.77	7.1			1.30	7.0	322	120.63	7.2			1.35	8.0	284	106.58	7.3			1.55	8.6	264	98.99	7.3		1.70	2.2		1027	289.74	27			3.00	2.5	906	255.71	27	3.30	2.7	855	241.25	27	3.50	3.0	766	216.28	27	4.00	2.6	878	247.61	19	1.80	2.9	771	217.48	19	2.00	3.1	732	206.6	19	2.20	3.5	647	182.55	19	2.40	3.8	590	166.59	11	1.40	4.4	516	145.67	11	1.60	4.6	490	138.39	11	1.70	5.3	430	121.42	12	1.90	4.4	521	195.24	11	1.55	5.1	445	166.59	12	1.80	5.8	389	145.67	12	2.10	6.8	333	195.24	12	2.30	8.0	284	166.59	12	2.70	9.1	248	145.67	12	3.10	9.6	236	138.39	12	3.20	11	207	121.42	12	3.70	4.0	560	158.14	7.7	1.10	4.6	488	137.67	8.3	1.25	5.0	457	128.97	8.5	1.35	5.6	404	113.94	8.9	1.50	4.3	533	199.81	7.8	1.10	4.6	491	184.07	8.2	1.20	5.4	422	158.14	8.7	1.40	6.2	367	137.67	9.0	1.60	6.6	344	128.97	9.1	1.70	7.5	304	113.94	9.3	1.95	8.0	282	105.83	9.4	2.10	6.7	341	199.81	9.1	1.65	7.2	314	184.07	9.2	1.80	8.4	270	158.14	9.4	2.10	9.7	235	137.67	10	2.40	10	220	128.97	10	2.50	12	194	113.94	10	2.90	13	180	105.83	10	3.10	14	164	95.91	10	3.40	15	147	86.11	10	3.80	4.5	499	186.89	6.1	0.90	4.9	459	172.17	6.7	0.95	5.7	395	147.92	6.9	1.10	6.6	344	128.77	7.1	1.30	7.0	322	120.63	7.2	1.35	8.0	284	106.58	7.3	1.55	8.6	264	98.99	7.3	1.70																																																																																																																																																																																																																																																																																																																																																																																					
5.7	395	147.92	6.9	1.10	6.6	344			128.77	7.1	1.30	7.0	322			120.63	7.2	1.35	8.0	284			106.58	7.3	1.55	8.6	264			98.99	7.3	1.70	2.2	1027			289.74	27	3.00	2.5	906		255.71	27		3.30	2.7	855	241.25	27	3.50	3.0	766	216.28	27	4.00	2.6	878	247.61	19	1.80	2.9	771	217.48	19	2.00	3.1	732	206.6	19	2.20	3.5	647	182.55	19	2.40	3.8	590	166.59	11	1.40	4.4	516	145.67	11	1.60	4.6	490	138.39	11	1.70	5.3	430	121.42	12	1.90	4.4	521	195.24	11	1.55	5.1	445	166.59	12	1.80	5.8	389	145.67	12	2.10	6.8	333	195.24	12	2.30	8.0	284	166.59	12	2.70	9.1	248	145.67	12	3.10	9.6	236	138.39	12	3.20	11	207	121.42	12	3.70	4.0	560	158.14	7.7	1.10	4.6	488	137.67	8.3	1.25	5.0	457	128.97	8.5	1.35	5.6	404	113.94	8.9	1.50	4.3	533	199.81	7.8	1.10	4.6	491	184.07	8.2	1.20	5.4	422	158.14	8.7	1.40	6.2	367	137.67	9.0	1.60	6.6	344	128.97	9.1	1.70	7.5	304	113.94	9.3	1.95	8.0	282	105.83	9.4	2.10	6.7	341	199.81	9.1	1.65	7.2	314	184.07	9.2	1.80	8.4	270	158.14	9.4	2.10	9.7	235	137.67	10	2.40	10	220	128.97	10	2.50	12	194	113.94	10	2.90	13	180	105.83	10	3.10	14	164	95.91	10	3.40	15	147	86.11	10	3.80	4.5	499	186.89	6.1	0.90	4.9	459	172.17	6.7	0.95	5.7	395	147.92	6.9	1.10	6.6	344	128.77	7.1	1.30	7.0	322	120.63	7.2	1.35	8.0	284	106.58	7.3	1.55	8.6	264	98.99	7.3	1.70																																																																																																																																																																																																																																																																																																																																																																																															
6.6	344	128.77	7.1	1.30	7.0	322			120.63	7.2	1.35	8.0	284			106.58	7.3	1.55	8.6	264			98.99	7.3	1.70	2.2	1027			289.74	27	3.00	2.5	906			255.71	27	3.30	2.7	855	241.25	27	3.50	3.0	766	216.28	27	4.00	2.6	878	247.61	19	1.80	2.9	771	217.48	19	2.00	3.1	732	206.6	19	2.20	3.5	647	182.55	19	2.40	3.8	590	166.59	11	1.40	4.4	516	145.67	11	1.60	4.6	490	138.39	11	1.70	5.3	430	121.42	12	1.90	4.4	521	195.24	11	1.55	5.1	445	166.59	12	1.80	5.8	389	145.67	12	2.10	6.8	333	195.24	12	2.30	8.0	284	166.59	12	2.70	9.1	248	145.67	12	3.10	9.6	236	138.39	12	3.20	11	207	121.42	12	3.70	4.0	560	158.14	7.7	1.10	4.6	488	137.67	8.3	1.25	5.0	457	128.97	8.5	1.35	5.6	404	113.94	8.9	1.50	4.3	533	199.81	7.8	1.10	4.6	491	184.07	8.2	1.20	5.4	422	158.14	8.7	1.40	6.2	367	137.67	9.0	1.60	6.6	344	128.97	9.1	1.70	7.5	304	113.94	9.3	1.95	8.0	282	105.83	9.4	2.10	6.7	341	199.81	9.1	1.65	7.2	314	184.07	9.2	1.80	8.4	270	158.14	9.4	2.10	9.7	235	137.67	10	2.40	10	220	128.97	10	2.50	12	194	113.94	10	2.90	13	180	105.83	10	3.10	14	164	95.91	10	3.40	15	147	86.11	10	3.80	4.5	499	186.89	6.1	0.90	4.9	459	172.17	6.7	0.95	5.7	395	147.92	6.9	1.10	6.6	344	128.77	7.1	1.30	7.0	322	120.63	7.2	1.35	8.0	284	106.58	7.3	1.55	8.6	264	98.99	7.3	1.70																																																																																																																																																																																																																																																																																																																																																																																																						
7.0	322	120.63	7.2	1.35	8.0	284			106.58	7.3	1.55	8.6	264			98.99	7.3	1.70	2.2	1027			289.74	27	3.00	2.5	906			255.71	27	3.30	2.7	855	241.25	27	3.50	3.0	766	216.28	27	4.00	2.6	878	247.61	19	1.80	2.9	771	217.48	19	2.00	3.1	732	206.6	19	2.20	3.5	647	182.55	19	2.40	3.8	590	166.59	11	1.40	4.4	516	145.67	11	1.60	4.6	490	138.39	11	1.70	5.3	430	121.42	12	1.90	4.4	521	195.24	11	1.55	5.1	445	166.59	12	1.80	5.8	389	145.67	12	2.10	6.8	333	195.24	12	2.30	8.0	284	166.59	12	2.70	9.1	248	145.67	12	3.10	9.6	236	138.39	12	3.20	11	207	121.42	12	3.70	4.0	560	158.14	7.7	1.10	4.6	488	137.67	8.3	1.25	5.0	457	128.97	8.5	1.35	5.6	404	113.94	8.9	1.50	4.3	533	199.81	7.8	1.10	4.6	491	184.07	8.2	1.20	5.4	422	158.14	8.7	1.40	6.2	367	137.67	9.0	1.60	6.6	344	128.97	9.1	1.70	7.5	304	113.94	9.3	1.95	8.0	282	105.83	9.4	2.10	6.7	341	199.81	9.1	1.65	7.2	314	184.07	9.2	1.80	8.4	270	158.14	9.4	2.10	9.7	235	137.67	10	2.40	10	220	128.97	10	2.50	12	194	113.94	10	2.90	13	180	105.83	10	3.10	14	164	95.91	10	3.40	15	147	86.11	10	3.80	4.5	499	186.89	6.1	0.90	4.9	459	172.17	6.7	0.95	5.7	395	147.92	6.9	1.10	6.6	344	128.77	7.1	1.30	7.0	322	120.63	7.2	1.35	8.0	284	106.58	7.3	1.55	8.6	264	98.99	7.3	1.70																																																																																																																																																																																																																																																																																																																																																																																																													
8.0	284	106.58	7.3	1.55	8.6	264			98.99	7.3	1.70	2.2	1027			289.74	27	3.00	2.5	906			255.71	27	3.30	2.7	855	241.25	27	3.50	3.0	766	216.28	27	4.00	2.6	878	247.61	19	1.80	2.9	771	217.48	19	2.00	3.1	732	206.6	19	2.20	3.5	647	182.55	19	2.40	3.8	590	166.59	11	1.40	4.4	516	145.67	11	1.60	4.6	490	138.39	11	1.70	5.3	430	121.42	12	1.90	4.4	521	195.24	11	1.55	5.1	445	166.59	12	1.80	5.8	389	145.67	12	2.10	6.8	333	195.24	12	2.30	8.0	284	166.59	12	2.70	9.1	248	145.67	12	3.10	9.6	236	138.39	12	3.20	11	207	121.42	12	3.70	4.0	560	158.14	7.7	1.10	4.6	488	137.67	8.3	1.25	5.0	457	128.97	8.5	1.35	5.6	404	113.94	8.9	1.50	4.3	533	199.81	7.8	1.10	4.6	491	184.07	8.2	1.20	5.4	422	158.14	8.7	1.40	6.2	367	137.67	9.0	1.60	6.6	344	128.97	9.1	1.70	7.5	304	113.94	9.3	1.95	8.0	282	105.83	9.4	2.10	6.7	341	199.81	9.1	1.65	7.2	314	184.07	9.2	1.80	8.4	270	158.14	9.4	2.10	9.7	235	137.67	10	2.40	10	220	128.97	10	2.50	12	194	113.94	10	2.90	13	180	105.83	10	3.10	14	164	95.91	10	3.40	15	147	86.11	10	3.80	4.5	499	186.89	6.1	0.90	4.9	459	172.17	6.7	0.95	5.7	395	147.92	6.9	1.10	6.6	344	128.77	7.1	1.30	7.0	322	120.63	7.2	1.35	8.0	284	106.58	7.3	1.55	8.6	264	98.99	7.3	1.70																																																																																																																																																																																																																																																																																																																																																																																																																				
8.6	264	98.99	7.3	1.70	2.2	1027			289.74	27	3.00	2.5	906			255.71	27	3.30	2.7	855	241.25	27	3.50	3.0	766	216.28	27	4.00	2.6	878	247.61	19	1.80	2.9	771	217.48	19	2.00	3.1	732	206.6	19	2.20	3.5	647	182.55	19	2.40	3.8	590	166.59	11	1.40	4.4	516	145.67	11	1.60	4.6	490	138.39	11	1.70	5.3	430	121.42	12	1.90	4.4	521	195.24	11	1.55	5.1	445	166.59	12	1.80	5.8	389	145.67	12	2.10	6.8	333	195.24	12	2.30	8.0	284	166.59	12	2.70	9.1	248	145.67	12	3.10	9.6	236	138.39	12	3.20	11	207	121.42	12	3.70	4.0	560	158.14	7.7	1.10	4.6	488	137.67	8.3	1.25	5.0	457	128.97	8.5	1.35	5.6	404	113.94	8.9	1.50	4.3	533	199.81	7.8	1.10	4.6	491	184.07	8.2	1.20	5.4	422	158.14	8.7	1.40	6.2	367	137.67	9.0	1.60	6.6	344	128.97	9.1	1.70	7.5	304	113.94	9.3	1.95	8.0	282	105.83	9.4	2.10	6.7	341	199.81	9.1	1.65	7.2	314	184.07	9.2	1.80	8.4	270	158.14	9.4	2.10	9.7	235	137.67	10	2.40	10	220	128.97	10	2.50	12	194	113.94	10	2.90	13	180	105.83	10	3.10	14	164	95.91	10	3.40	15	147	86.11	10	3.80	4.5	499	186.89	6.1	0.90	4.9	459	172.17	6.7	0.95	5.7	395	147.92	6.9	1.10	6.6	344	128.77	7.1	1.30	7.0	322	120.63	7.2	1.35	8.0	284	106.58	7.3	1.55	8.6	264	98.99	7.3	1.70																																																																																																																																																																																																																																																																																																																																																																																																																											
2.2	1027	289.74	27	3.00	2.5	906			255.71	27	3.30	2.7	855	241.25	27	3.50	3.0	766	216.28	27	4.00	2.6	878	247.61	19	1.80	2.9	771	217.48	19	2.00	3.1	732	206.6	19	2.20	3.5	647	182.55	19	2.40	3.8	590	166.59	11	1.40	4.4	516	145.67	11	1.60	4.6	490	138.39	11	1.70	5.3	430	121.42	12	1.90	4.4	521	195.24	11	1.55	5.1	445	166.59	12	1.80	5.8	389	145.67	12	2.10	6.8	333	195.24	12	2.30	8.0	284	166.59	12	2.70	9.1	248	145.67	12	3.10	9.6	236	138.39	12	3.20	11	207	121.42	12	3.70	4.0	560	158.14	7.7	1.10	4.6	488	137.67	8.3	1.25	5.0	457	128.97	8.5	1.35	5.6	404	113.94	8.9	1.50	4.3	533	199.81	7.8	1.10	4.6	491	184.07	8.2	1.20	5.4	422	158.14	8.7	1.40	6.2	367	137.67	9.0	1.60	6.6	344	128.97	9.1	1.70	7.5	304	113.94	9.3	1.95	8.0	282	105.83	9.4	2.10	6.7	341	199.81	9.1	1.65	7.2	314	184.07	9.2	1.80	8.4	270	158.14	9.4	2.10	9.7	235	137.67	10	2.40	10	220	128.97	10	2.50	12	194	113.94	10	2.90	13	180	105.83	10	3.10	14	164	95.91	10	3.40	15	147	86.11	10	3.80	4.5	499	186.89	6.1	0.90	4.9	459	172.17	6.7	0.95	5.7	395	147.92	6.9	1.10	6.6	344	128.77	7.1	1.30	7.0	322	120.63	7.2	1.35	8.0	284	106.58	7.3	1.55	8.6	264	98.99	7.3	1.70																																																																																																																																																																																																																																																																																																																																																																																																																																		
2.5	906	255.71	27	3.30	2.7	855	241.25	27	3.50	3.0	766	216.28	27	4.00	2.6	878	247.61	19	1.80	2.9	771	217.48	19	2.00	3.1	732	206.6	19	2.20	3.5	647	182.55	19	2.40	3.8	590	166.59	11	1.40	4.4	516	145.67	11	1.60	4.6	490	138.39	11	1.70	5.3	430	121.42	12	1.90	4.4	521	195.24	11	1.55	5.1	445	166.59	12	1.80	5.8	389	145.67	12	2.10	6.8	333	195.24	12	2.30	8.0	284	166.59	12	2.70	9.1	248	145.67	12	3.10	9.6	236	138.39	12	3.20	11	207	121.42	12	3.70	4.0	560	158.14	7.7	1.10	4.6	488	137.67	8.3	1.25	5.0	457	128.97	8.5	1.35	5.6	404	113.94	8.9	1.50	4.3	533	199.81	7.8	1.10	4.6	491	184.07	8.2	1.20	5.4	422	158.14	8.7	1.40	6.2	367	137.67	9.0	1.60	6.6	344	128.97	9.1	1.70	7.5	304	113.94	9.3	1.95	8.0	282	105.83	9.4	2.10	6.7	341	199.81	9.1	1.65	7.2	314	184.07	9.2	1.80	8.4	270	158.14	9.4	2.10	9.7	235	137.67	10	2.40	10	220	128.97	10	2.50	12	194	113.94	10	2.90	13	180	105.83	10	3.10	14	164	95.91	10	3.40	15	147	86.11	10	3.80	4.5	499	186.89	6.1	0.90	4.9	459	172.17	6.7	0.95	5.7	395	147.92	6.9	1.10	6.6	344	128.77	7.1	1.30	7.0	322	120.63	7.2	1.35	8.0	284	106.58	7.3	1.55	8.6	264	98.99	7.3	1.70																																																																																																																																																																																																																																																																																																																																																																																																																																									
2.7	855	241.25	27	3.50	3.0	766	216.28	27	4.00	2.6	878	247.61	19	1.80	2.9	771	217.48	19	2.00	3.1	732	206.6	19	2.20	3.5	647	182.55	19	2.40	3.8	590	166.59	11	1.40	4.4	516	145.67	11	1.60	4.6	490	138.39	11	1.70	5.3	430	121.42	12	1.90	4.4	521	195.24	11	1.55	5.1	445	166.59	12	1.80	5.8	389	145.67	12	2.10	6.8	333	195.24	12	2.30	8.0	284	166.59	12	2.70	9.1	248	145.67	12	3.10	9.6	236	138.39	12	3.20	11	207	121.42	12	3.70	4.0	560	158.14	7.7	1.10	4.6	488	137.67	8.3	1.25	5.0	457	128.97	8.5	1.35	5.6	404	113.94	8.9	1.50	4.3	533	199.81	7.8	1.10	4.6	491	184.07	8.2	1.20	5.4	422	158.14	8.7	1.40	6.2	367	137.67	9.0	1.60	6.6	344	128.97	9.1	1.70	7.5	304	113.94	9.3	1.95	8.0	282	105.83	9.4	2.10	6.7	341	199.81	9.1	1.65	7.2	314	184.07	9.2	1.80	8.4	270	158.14	9.4	2.10	9.7	235	137.67	10	2.40	10	220	128.97	10	2.50	12	194	113.94	10	2.90	13	180	105.83	10	3.10	14	164	95.91	10	3.40	15	147	86.11	10	3.80	4.5	499	186.89	6.1	0.90	4.9	459	172.17	6.7	0.95	5.7	395	147.92	6.9	1.10	6.6	344	128.77	7.1	1.30	7.0	322	120.63	7.2	1.35	8.0	284	106.58	7.3	1.55	8.6	264	98.99	7.3	1.70																																																																																																																																																																																																																																																																																																																																																																																																																																														
3.0	766	216.28	27	4.00	2.6	878	247.61	19	1.80	2.9	771	217.48	19	2.00	3.1	732	206.6	19	2.20	3.5	647	182.55	19	2.40	3.8	590	166.59	11	1.40	4.4	516	145.67	11	1.60	4.6	490	138.39	11	1.70	5.3	430	121.42	12	1.90	4.4	521	195.24	11	1.55	5.1	445	166.59	12	1.80	5.8	389	145.67	12	2.10	6.8	333	195.24	12	2.30	8.0	284	166.59	12	2.70	9.1	248	145.67	12	3.10	9.6	236	138.39	12	3.20	11	207	121.42	12	3.70	4.0	560	158.14	7.7	1.10	4.6	488	137.67	8.3	1.25	5.0	457	128.97	8.5	1.35	5.6	404	113.94	8.9	1.50	4.3	533	199.81	7.8	1.10	4.6	491	184.07	8.2	1.20	5.4	422	158.14	8.7	1.40	6.2	367	137.67	9.0	1.60	6.6	344	128.97	9.1	1.70	7.5	304	113.94	9.3	1.95	8.0	282	105.83	9.4	2.10	6.7	341	199.81	9.1	1.65	7.2	314	184.07	9.2	1.80	8.4	270	158.14	9.4	2.10	9.7	235	137.67	10	2.40	10	220	128.97	10	2.50	12	194	113.94	10	2.90	13	180	105.83	10	3.10	14	164	95.91	10	3.40	15	147	86.11	10	3.80	4.5	499	186.89	6.1	0.90	4.9	459	172.17	6.7	0.95	5.7	395	147.92	6.9	1.10	6.6	344	128.77	7.1	1.30	7.0	322	120.63	7.2	1.35	8.0	284	106.58	7.3	1.55	8.6	264	98.99	7.3	1.70																																																																																																																																																																																																																																																																																																																																																																																																																																																			
2.6	878	247.61	19	1.80	2.9	771	217.48	19	2.00	3.1	732	206.6	19	2.20	3.5	647	182.55	19	2.40	3.8	590	166.59	11	1.40	4.4	516	145.67	11	1.60	4.6	490	138.39	11	1.70	5.3	430	121.42	12	1.90	4.4	521	195.24	11	1.55	5.1	445	166.59	12	1.80	5.8	389	145.67	12	2.10	6.8	333	195.24	12	2.30	8.0	284	166.59	12	2.70	9.1	248	145.67	12	3.10	9.6	236	138.39	12	3.20	11	207	121.42	12	3.70	4.0	560	158.14	7.7	1.10	4.6	488	137.67	8.3	1.25	5.0	457	128.97	8.5	1.35	5.6	404	113.94	8.9	1.50	4.3	533	199.81	7.8	1.10	4.6	491	184.07	8.2	1.20	5.4	422	158.14	8.7	1.40	6.2	367	137.67	9.0	1.60	6.6	344	128.97	9.1	1.70	7.5	304	113.94	9.3	1.95	8.0	282	105.83	9.4	2.10	6.7	341	199.81	9.1	1.65	7.2	314	184.07	9.2	1.80	8.4	270	158.14	9.4	2.10	9.7	235	137.67	10	2.40	10	220	128.97	10	2.50	12	194	113.94	10	2.90	13	180	105.83	10	3.10	14	164	95.91	10	3.40	15	147	86.11	10	3.80	4.5	499	186.89	6.1	0.90	4.9	459	172.17	6.7	0.95	5.7	395	147.92	6.9	1.10	6.6	344	128.77	7.1	1.30	7.0	322	120.63	7.2	1.35	8.0	284	106.58	7.3	1.55	8.6	264	98.99	7.3	1.70																																																																																																																																																																																																																																																																																																																																																																																																																																																								
2.9	771	217.48	19	2.00	3.1	732	206.6	19	2.20	3.5	647	182.55	19	2.40	3.8	590	166.59	11	1.40	4.4	516	145.67	11	1.60	4.6	490	138.39	11	1.70	5.3	430	121.42	12	1.90	4.4	521	195.24	11	1.55	5.1	445	166.59	12	1.80	5.8	389	145.67	12	2.10	6.8	333	195.24	12	2.30	8.0	284	166.59	12	2.70	9.1	248	145.67	12	3.10	9.6	236	138.39	12	3.20	11	207	121.42	12	3.70	4.0	560	158.14	7.7	1.10	4.6	488	137.67	8.3	1.25	5.0	457	128.97	8.5	1.35	5.6	404	113.94	8.9	1.50	4.3	533	199.81	7.8	1.10	4.6	491	184.07	8.2	1.20	5.4	422	158.14	8.7	1.40	6.2	367	137.67	9.0	1.60	6.6	344	128.97	9.1	1.70	7.5	304	113.94	9.3	1.95	8.0	282	105.83	9.4	2.10	6.7	341	199.81	9.1	1.65	7.2	314	184.07	9.2	1.80	8.4	270	158.14	9.4	2.10	9.7	235	137.67	10	2.40	10	220	128.97	10	2.50	12	194	113.94	10	2.90	13	180	105.83	10	3.10	14	164	95.91	10	3.40	15	147	86.11	10	3.80	4.5	499	186.89	6.1	0.90	4.9	459	172.17	6.7	0.95	5.7	395	147.92	6.9	1.10	6.6	344	128.77	7.1	1.30	7.0	322	120.63	7.2	1.35	8.0	284	106.58	7.3	1.55	8.6	264	98.99	7.3	1.70																																																																																																																																																																																																																																																																																																																																																																																																																																																													
3.1	732	206.6	19	2.20	3.5	647	182.55	19	2.40	3.8	590	166.59	11	1.40	4.4	516	145.67	11	1.60	4.6	490	138.39	11	1.70	5.3	430	121.42	12	1.90	4.4	521	195.24	11	1.55	5.1	445	166.59	12	1.80	5.8	389	145.67	12	2.10	6.8	333	195.24	12	2.30	8.0	284	166.59	12	2.70	9.1	248	145.67	12	3.10	9.6	236	138.39	12	3.20	11	207	121.42	12	3.70	4.0	560	158.14	7.7	1.10	4.6	488	137.67	8.3	1.25	5.0	457	128.97	8.5	1.35	5.6	404	113.94	8.9	1.50	4.3	533	199.81	7.8	1.10	4.6	491	184.07	8.2	1.20	5.4	422	158.14	8.7	1.40	6.2	367	137.67	9.0	1.60	6.6	344	128.97	9.1	1.70	7.5	304	113.94	9.3	1.95	8.0	282	105.83	9.4	2.10	6.7	341	199.81	9.1	1.65	7.2	314	184.07	9.2	1.80	8.4	270	158.14	9.4	2.10	9.7	235	137.67	10	2.40	10	220	128.97	10	2.50	12	194	113.94	10	2.90	13	180	105.83	10	3.10	14	164	95.91	10	3.40	15	147	86.11	10	3.80	4.5	499	186.89	6.1	0.90	4.9	459	172.17	6.7	0.95	5.7	395	147.92	6.9	1.10	6.6	344	128.77	7.1	1.30	7.0	322	120.63	7.2	1.35	8.0	284	106.58	7.3	1.55	8.6	264	98.99	7.3	1.70																																																																																																																																																																																																																																																																																																																																																																																																																																																																		
3.5	647	182.55	19	2.40	3.8	590	166.59	11	1.40	4.4	516	145.67	11	1.60	4.6	490	138.39	11	1.70	5.3	430	121.42	12	1.90	4.4	521	195.24	11	1.55	5.1	445	166.59	12	1.80	5.8	389	145.67	12	2.10	6.8	333	195.24	12	2.30	8.0	284	166.59	12	2.70	9.1	248	145.67	12	3.10	9.6	236	138.39	12	3.20	11	207	121.42	12	3.70	4.0	560	158.14	7.7	1.10	4.6	488	137.67	8.3	1.25	5.0	457	128.97	8.5	1.35	5.6	404	113.94	8.9	1.50	4.3	533	199.81	7.8	1.10	4.6	491	184.07	8.2	1.20	5.4	422	158.14	8.7	1.40	6.2	367	137.67	9.0	1.60	6.6	344	128.97	9.1	1.70	7.5	304	113.94	9.3	1.95	8.0	282	105.83	9.4	2.10	6.7	341	199.81	9.1	1.65	7.2	314	184.07	9.2	1.80	8.4	270	158.14	9.4	2.10	9.7	235	137.67	10	2.40	10	220	128.97	10	2.50	12	194	113.94	10	2.90	13	180	105.83	10	3.10	14	164	95.91	10	3.40	15	147	86.11	10	3.80	4.5	499	186.89	6.1	0.90	4.9	459	172.17	6.7	0.95	5.7	395	147.92	6.9	1.10	6.6	344	128.77	7.1	1.30	7.0	322	120.63	7.2	1.35	8.0	284	106.58	7.3	1.55	8.6	264	98.99	7.3	1.70																																																																																																																																																																																																																																																																																																																																																																																																																																																																							
3.8	590	166.59	11	1.40	4.4	516	145.67	11	1.60	4.6	490	138.39	11	1.70	5.3	430	121.42	12	1.90	4.4	521	195.24	11	1.55	5.1	445	166.59	12	1.80	5.8	389	145.67	12	2.10	6.8	333	195.24	12	2.30	8.0	284	166.59	12	2.70	9.1	248	145.67	12	3.10	9.6	236	138.39	12	3.20	11	207	121.42	12	3.70	4.0	560	158.14	7.7	1.10	4.6	488	137.67	8.3	1.25	5.0	457	128.97	8.5	1.35	5.6	404	113.94	8.9	1.50	4.3	533	199.81	7.8	1.10	4.6	491	184.07	8.2	1.20	5.4	422	158.14	8.7	1.40	6.2	367	137.67	9.0	1.60	6.6	344	128.97	9.1	1.70	7.5	304	113.94	9.3	1.95	8.0	282	105.83	9.4	2.10	6.7	341	199.81	9.1	1.65	7.2	314	184.07	9.2	1.80	8.4	270	158.14	9.4	2.10	9.7	235	137.67	10	2.40	10	220	128.97	10	2.50	12	194	113.94	10	2.90	13	180	105.83	10	3.10	14	164	95.91	10	3.40	15	147	86.11	10	3.80	4.5	499	186.89	6.1	0.90	4.9	459	172.17	6.7	0.95	5.7	395	147.92	6.9	1.10	6.6	344	128.77	7.1	1.30	7.0	322	120.63	7.2	1.35	8.0	284	106.58	7.3	1.55	8.6	264	98.99	7.3	1.70																																																																																																																																																																																																																																																																																																																																																																																																																																																																												
4.4	516	145.67	11	1.60	4.6	490	138.39	11	1.70	5.3	430	121.42	12	1.90	4.4	521	195.24	11	1.55	5.1	445	166.59	12	1.80	5.8	389	145.67	12	2.10	6.8	333	195.24	12	2.30	8.0	284	166.59	12	2.70	9.1	248	145.67	12	3.10	9.6	236	138.39	12	3.20	11	207	121.42	12	3.70	4.0	560	158.14	7.7	1.10	4.6	488	137.67	8.3	1.25	5.0	457	128.97	8.5	1.35	5.6	404	113.94	8.9	1.50	4.3	533	199.81	7.8	1.10	4.6	491	184.07	8.2	1.20	5.4	422	158.14	8.7	1.40	6.2	367	137.67	9.0	1.60	6.6	344	128.97	9.1	1.70	7.5	304	113.94	9.3	1.95	8.0	282	105.83	9.4	2.10	6.7	341	199.81	9.1	1.65	7.2	314	184.07	9.2	1.80	8.4	270	158.14	9.4	2.10	9.7	235	137.67	10	2.40	10	220	128.97	10	2.50	12	194	113.94	10	2.90	13	180	105.83	10	3.10	14	164	95.91	10	3.40	15	147	86.11	10	3.80	4.5	499	186.89	6.1	0.90	4.9	459	172.17	6.7	0.95	5.7	395	147.92	6.9	1.10	6.6	344	128.77	7.1	1.30	7.0	322	120.63	7.2	1.35	8.0	284	106.58	7.3	1.55	8.6	264	98.99	7.3	1.70																																																																																																																																																																																																																																																																																																																																																																																																																																																																																	
4.6	490	138.39	11	1.70	5.3	430	121.42	12	1.90	4.4	521	195.24	11	1.55	5.1	445	166.59	12	1.80	5.8	389	145.67	12	2.10	6.8	333	195.24	12	2.30	8.0	284	166.59	12	2.70	9.1	248	145.67	12	3.10	9.6	236	138.39	12	3.20	11	207	121.42	12	3.70	4.0	560	158.14	7.7	1.10	4.6	488	137.67	8.3	1.25	5.0	457	128.97	8.5	1.35	5.6	404	113.94	8.9	1.50	4.3	533	199.81	7.8	1.10	4.6	491	184.07	8.2	1.20	5.4	422	158.14	8.7	1.40	6.2	367	137.67	9.0	1.60	6.6	344	128.97	9.1	1.70	7.5	304	113.94	9.3	1.95	8.0	282	105.83	9.4	2.10	6.7	341	199.81	9.1	1.65	7.2	314	184.07	9.2	1.80	8.4	270	158.14	9.4	2.10	9.7	235	137.67	10	2.40	10	220	128.97	10	2.50	12	194	113.94	10	2.90	13	180	105.83	10	3.10	14	164	95.91	10	3.40	15	147	86.11	10	3.80	4.5	499	186.89	6.1	0.90	4.9	459	172.17	6.7	0.95	5.7	395	147.92	6.9	1.10	6.6	344	128.77	7.1	1.30	7.0	322	120.63	7.2	1.35	8.0	284	106.58	7.3	1.55	8.6	264	98.99	7.3	1.70																																																																																																																																																																																																																																																																																																																																																																																																																																																																																						
5.3	430	121.42	12	1.90	4.4	521	195.24	11	1.55	5.1	445	166.59	12	1.80	5.8	389	145.67	12	2.10	6.8	333	195.24	12	2.30	8.0	284	166.59	12	2.70	9.1	248	145.67	12	3.10	9.6	236	138.39	12	3.20	11	207	121.42	12	3.70	4.0	560	158.14	7.7	1.10	4.6	488	137.67	8.3	1.25	5.0	457	128.97	8.5	1.35	5.6	404	113.94	8.9	1.50	4.3	533	199.81	7.8	1.10	4.6	491	184.07	8.2	1.20	5.4	422	158.14	8.7	1.40	6.2	367	137.67	9.0	1.60	6.6	344	128.97	9.1	1.70	7.5	304	113.94	9.3	1.95	8.0	282	105.83	9.4	2.10	6.7	341	199.81	9.1	1.65	7.2	314	184.07	9.2	1.80	8.4	270	158.14	9.4	2.10	9.7	235	137.67	10	2.40	10	220	128.97	10	2.50	12	194	113.94	10	2.90	13	180	105.83	10	3.10	14	164	95.91	10	3.40	15	147	86.11	10	3.80	4.5	499	186.89	6.1	0.90	4.9	459	172.17	6.7	0.95	5.7	395	147.92	6.9	1.10	6.6	344	128.77	7.1	1.30	7.0	322	120.63	7.2	1.35	8.0	284	106.58	7.3	1.55	8.6	264	98.99	7.3	1.70																																																																																																																																																																																																																																																																																																																																																																																																																																																																																											
4.4	521	195.24	11	1.55	5.1	445	166.59	12	1.80	5.8	389	145.67	12	2.10	6.8	333	195.24	12	2.30	8.0	284	166.59	12	2.70	9.1	248	145.67	12	3.10	9.6	236	138.39	12	3.20	11	207	121.42	12	3.70	4.0	560	158.14	7.7	1.10	4.6	488	137.67	8.3	1.25	5.0	457	128.97	8.5	1.35	5.6	404	113.94	8.9	1.50	4.3	533	199.81	7.8	1.10	4.6	491	184.07	8.2	1.20	5.4	422	158.14	8.7	1.40	6.2	367	137.67	9.0	1.60	6.6	344	128.97	9.1	1.70	7.5	304	113.94	9.3	1.95	8.0	282	105.83	9.4	2.10	6.7	341	199.81	9.1	1.65	7.2	314	184.07	9.2	1.80	8.4	270	158.14	9.4	2.10	9.7	235	137.67	10	2.40	10	220	128.97	10	2.50	12	194	113.94	10	2.90	13	180	105.83	10	3.10	14	164	95.91	10	3.40	15	147	86.11	10	3.80	4.5	499	186.89	6.1	0.90	4.9	459	172.17	6.7	0.95	5.7	395	147.92	6.9	1.10	6.6	344	128.77	7.1	1.30	7.0	322	120.63	7.2	1.35	8.0	284	106.58	7.3	1.55	8.6	264	98.99	7.3	1.70																																																																																																																																																																																																																																																																																																																																																																																																																																																																																																
5.1	445	166.59	12	1.80	5.8	389	145.67	12	2.10	6.8	333	195.24	12	2.30	8.0	284	166.59	12	2.70	9.1	248	145.67	12	3.10	9.6	236	138.39	12	3.20	11	207	121.42	12	3.70	4.0	560	158.14	7.7	1.10	4.6	488	137.67	8.3	1.25	5.0	457	128.97	8.5	1.35	5.6	404	113.94	8.9	1.50	4.3	533	199.81	7.8	1.10	4.6	491	184.07	8.2	1.20	5.4	422	158.14	8.7	1.40	6.2	367	137.67	9.0	1.60	6.6	344	128.97	9.1	1.70	7.5	304	113.94	9.3	1.95	8.0	282	105.83	9.4	2.10	6.7	341	199.81	9.1	1.65	7.2	314	184.07	9.2	1.80	8.4	270	158.14	9.4	2.10	9.7	235	137.67	10	2.40	10	220	128.97	10	2.50	12	194	113.94	10	2.90	13	180	105.83	10	3.10	14	164	95.91	10	3.40	15	147	86.11	10	3.80	4.5	499	186.89	6.1	0.90	4.9	459	172.17	6.7	0.95	5.7	395	147.92	6.9	1.10	6.6	344	128.77	7.1	1.30	7.0	322	120.63	7.2	1.35	8.0	284	106.58	7.3	1.55	8.6	264	98.99	7.3	1.70																																																																																																																																																																																																																																																																																																																																																																																																																																																																																																					
5.8	389	145.67	12	2.10	6.8	333	195.24	12	2.30	8.0	284	166.59	12	2.70	9.1	248	145.67	12	3.10	9.6	236	138.39	12	3.20	11	207	121.42	12	3.70	4.0	560	158.14	7.7	1.10	4.6	488	137.67	8.3	1.25	5.0	457	128.97	8.5	1.35	5.6	404	113.94	8.9	1.50	4.3	533	199.81	7.8	1.10	4.6	491	184.07	8.2	1.20	5.4	422	158.14	8.7	1.40	6.2	367	137.67	9.0	1.60	6.6	344	128.97	9.1	1.70	7.5	304	113.94	9.3	1.95	8.0	282	105.83	9.4	2.10	6.7	341	199.81	9.1	1.65	7.2	314	184.07	9.2	1.80	8.4	270	158.14	9.4	2.10	9.7	235	137.67	10	2.40	10	220	128.97	10	2.50	12	194	113.94	10	2.90	13	180	105.83	10	3.10	14	164	95.91	10	3.40	15	147	86.11	10	3.80	4.5	499	186.89	6.1	0.90	4.9	459	172.17	6.7	0.95	5.7	395	147.92	6.9	1.10	6.6	344	128.77	7.1	1.30	7.0	322	120.63	7.2	1.35	8.0	284	106.58	7.3	1.55	8.6	264	98.99	7.3	1.70																																																																																																																																																																																																																																																																																																																																																																																																																																																																																																										
6.8	333	195.24	12	2.30	8.0	284	166.59	12	2.70	9.1	248	145.67	12	3.10	9.6	236	138.39	12	3.20	11	207	121.42	12	3.70	4.0	560	158.14	7.7	1.10	4.6	488	137.67	8.3	1.25	5.0	457	128.97	8.5	1.35	5.6	404	113.94	8.9	1.50	4.3	533	199.81	7.8	1.10	4.6	491	184.07	8.2	1.20	5.4	422	158.14	8.7	1.40	6.2	367	137.67	9.0	1.60	6.6	344	128.97	9.1	1.70	7.5	304	113.94	9.3	1.95	8.0	282	105.83	9.4	2.10	6.7	341	199.81	9.1	1.65	7.2	314	184.07	9.2	1.80	8.4	270	158.14	9.4	2.10	9.7	235	137.67	10	2.40	10	220	128.97	10	2.50	12	194	113.94	10	2.90	13	180	105.83	10	3.10	14	164	95.91	10	3.40	15	147	86.11	10	3.80	4.5	499	186.89	6.1	0.90	4.9	459	172.17	6.7	0.95	5.7	395	147.92	6.9	1.10	6.6	344	128.77	7.1	1.30	7.0	322	120.63	7.2	1.35	8.0	284	106.58	7.3	1.55	8.6	264	98.99	7.3	1.70																																																																																																																																																																																																																																																																																																																																																																																																																																																																																																															
8.0	284	166.59	12	2.70	9.1	248	145.67	12	3.10	9.6	236	138.39	12	3.20	11	207	121.42	12	3.70	4.0	560	158.14	7.7	1.10	4.6	488	137.67	8.3	1.25	5.0	457	128.97	8.5	1.35	5.6	404	113.94	8.9	1.50	4.3	533	199.81	7.8	1.10	4.6	491	184.07	8.2	1.20	5.4	422	158.14	8.7	1.40	6.2	367	137.67	9.0	1.60	6.6	344	128.97	9.1	1.70	7.5	304	113.94	9.3	1.95	8.0	282	105.83	9.4	2.10	6.7	341	199.81	9.1	1.65	7.2	314	184.07	9.2	1.80	8.4	270	158.14	9.4	2.10	9.7	235	137.67	10	2.40	10	220	128.97	10	2.50	12	194	113.94	10	2.90	13	180	105.83	10	3.10	14	164	95.91	10	3.40	15	147	86.11	10	3.80	4.5	499	186.89	6.1	0.90	4.9	459	172.17	6.7	0.95	5.7	395	147.92	6.9	1.10	6.6	344	128.77	7.1	1.30	7.0	322	120.63	7.2	1.35	8.0	284	106.58	7.3	1.55	8.6	264	98.99	7.3	1.70																																																																																																																																																																																																																																																																																																																																																																																																																																																																																																																				
9.1	248	145.67	12	3.10	9.6	236	138.39	12	3.20	11	207	121.42	12	3.70	4.0	560	158.14	7.7	1.10	4.6	488	137.67	8.3	1.25	5.0	457	128.97	8.5	1.35	5.6	404	113.94	8.9	1.50	4.3	533	199.81	7.8	1.10	4.6	491	184.07	8.2	1.20	5.4	422	158.14	8.7	1.40	6.2	367	137.67	9.0	1.60	6.6	344	128.97	9.1	1.70	7.5	304	113.94	9.3	1.95	8.0	282	105.83	9.4	2.10	6.7	341	199.81	9.1	1.65	7.2	314	184.07	9.2	1.80	8.4	270	158.14	9.4	2.10	9.7	235	137.67	10	2.40	10	220	128.97	10	2.50	12	194	113.94	10	2.90	13	180	105.83	10	3.10	14	164	95.91	10	3.40	15	147	86.11	10	3.80	4.5	499	186.89	6.1	0.90	4.9	459	172.17	6.7	0.95	5.7	395	147.92	6.9	1.10	6.6	344	128.77	7.1	1.30	7.0	322	120.63	7.2	1.35	8.0	284	106.58	7.3	1.55	8.6	264	98.99	7.3	1.70																																																																																																																																																																																																																																																																																																																																																																																																																																																																																																																									
9.6	236	138.39	12	3.20	11	207	121.42	12	3.70	4.0	560	158.14	7.7	1.10	4.6	488	137.67	8.3	1.25	5.0	457	128.97	8.5	1.35	5.6	404	113.94	8.9	1.50	4.3	533	199.81	7.8	1.10	4.6	491	184.07	8.2	1.20	5.4	422	158.14	8.7	1.40	6.2	367	137.67	9.0	1.60	6.6	344	128.97	9.1	1.70	7.5	304	113.94	9.3	1.95	8.0	282	105.83	9.4	2.10	6.7	341	199.81	9.1	1.65	7.2	314	184.07	9.2	1.80	8.4	270	158.14	9.4	2.10	9.7	235	137.67	10	2.40	10	220	128.97	10	2.50	12	194	113.94	10	2.90	13	180	105.83	10	3.10	14	164	95.91	10	3.40	15	147	86.11	10	3.80	4.5	499	186.89	6.1	0.90	4.9	459	172.17	6.7	0.95	5.7	395	147.92	6.9	1.10	6.6	344	128.77	7.1	1.30	7.0	322	120.63	7.2	1.35	8.0	284	106.58	7.3	1.55	8.6	264	98.99	7.3	1.70																																																																																																																																																																																																																																																																																																																																																																																																																																																																																																																														
11	207	121.42	12	3.70	4.0	560	158.14	7.7	1.10	4.6	488	137.67	8.3	1.25	5.0	457	128.97	8.5	1.35	5.6	404	113.94	8.9	1.50	4.3	533	199.81	7.8	1.10	4.6	491	184.07	8.2	1.20	5.4	422	158.14	8.7	1.40	6.2	367	137.67	9.0	1.60	6.6	344	128.97	9.1	1.70	7.5	304	113.94	9.3	1.95	8.0	282	105.83	9.4	2.10	6.7	341	199.81	9.1	1.65	7.2	314	184.07	9.2	1.80	8.4	270	158.14	9.4	2.10	9.7	235	137.67	10	2.40	10	220	128.97	10	2.50	12	194	113.94	10	2.90	13	180	105.83	10	3.10	14	164	95.91	10	3.40	15	147	86.11	10	3.80	4.5	499	186.89	6.1	0.90	4.9	459	172.17	6.7	0.95	5.7	395	147.92	6.9	1.10	6.6	344	128.77	7.1	1.30	7.0	322	120.63	7.2	1.35	8.0	284	106.58	7.3	1.55	8.6	264	98.99	7.3	1.70																																																																																																																																																																																																																																																																																																																																																																																																																																																																																																																																			
4.0	560	158.14	7.7	1.10	4.6	488	137.67	8.3	1.25	5.0	457	128.97	8.5	1.35	5.6	404	113.94	8.9	1.50	4.3	533	199.81	7.8	1.10	4.6	491	184.07	8.2	1.20	5.4	422	158.14	8.7	1.40	6.2	367	137.67	9.0	1.60	6.6	344	128.97	9.1	1.70	7.5	304	113.94	9.3	1.95	8.0	282	105.83	9.4	2.10	6.7	341	199.81	9.1	1.65	7.2	314	184.07	9.2	1.80	8.4	270	158.14	9.4	2.10	9.7	235	137.67	10	2.40	10	220	128.97	10	2.50	12	194	113.94	10	2.90	13	180	105.83	10	3.10	14	164	95.91	10	3.40	15	147	86.11	10	3.80	4.5	499	186.89	6.1	0.90	4.9	459	172.17	6.7	0.95	5.7	395	147.92	6.9	1.10	6.6	344	128.77	7.1	1.30	7.0	322	120.63	7.2	1.35	8.0	284	106.58	7.3	1.55	8.6	264	98.99	7.3	1.70																																																																																																																																																																																																																																																																																																																																																																																																																																																																																																																																								
4.6	488	137.67	8.3	1.25	5.0	457	128.97	8.5	1.35	5.6	404	113.94	8.9	1.50	4.3	533	199.81	7.8	1.10	4.6	491	184.07	8.2	1.20	5.4	422	158.14	8.7	1.40	6.2	367	137.67	9.0	1.60	6.6	344	128.97	9.1	1.70	7.5	304	113.94	9.3	1.95	8.0	282	105.83	9.4	2.10	6.7	341	199.81	9.1	1.65	7.2	314	184.07	9.2	1.80	8.4	270	158.14	9.4	2.10	9.7	235	137.67	10	2.40	10	220	128.97	10	2.50	12	194	113.94	10	2.90	13	180	105.83	10	3.10	14	164	95.91	10	3.40	15	147	86.11	10	3.80	4.5	499	186.89	6.1	0.90	4.9	459	172.17	6.7	0.95	5.7	395	147.92	6.9	1.10	6.6	344	128.77	7.1	1.30	7.0	322	120.63	7.2	1.35	8.0	284	106.58	7.3	1.55	8.6	264	98.99	7.3	1.70																																																																																																																																																																																																																																																																																																																																																																																																																																																																																																																																													
5.0	457	128.97	8.5	1.35	5.6	404	113.94	8.9	1.50	4.3	533	199.81	7.8	1.10	4.6	491	184.07	8.2	1.20	5.4	422	158.14	8.7	1.40	6.2	367	137.67	9.0	1.60	6.6	344	128.97	9.1	1.70	7.5	304	113.94	9.3	1.95	8.0	282	105.83	9.4	2.10	6.7	341	199.81	9.1	1.65	7.2	314	184.07	9.2	1.80	8.4	270	158.14	9.4	2.10	9.7	235	137.67	10	2.40	10	220	128.97	10	2.50	12	194	113.94	10	2.90	13	180	105.83	10	3.10	14	164	95.91	10	3.40	15	147	86.11	10	3.80	4.5	499	186.89	6.1	0.90	4.9	459	172.17	6.7	0.95	5.7	395	147.92	6.9	1.10	6.6	344	128.77	7.1	1.30	7.0	322	120.63	7.2	1.35	8.0	284	106.58	7.3	1.55	8.6	264	98.99	7.3	1.70																																																																																																																																																																																																																																																																																																																																																																																																																																																																																																																																																		
5.6	404	113.94	8.9	1.50	4.3	533	199.81	7.8	1.10	4.6	491	184.07	8.2	1.20	5.4	422	158.14	8.7	1.40	6.2	367	137.67	9.0	1.60	6.6	344	128.97	9.1	1.70	7.5	304	113.94	9.3	1.95	8.0	282	105.83	9.4	2.10	6.7	341	199.81	9.1	1.65	7.2	314	184.07	9.2	1.80	8.4	270	158.14	9.4	2.10	9.7	235	137.67	10	2.40	10	220	128.97	10	2.50	12	194	113.94	10	2.90	13	180	105.83	10	3.10	14	164	95.91	10	3.40	15	147	86.11	10	3.80	4.5	499	186.89	6.1	0.90	4.9	459	172.17	6.7	0.95	5.7	395	147.92	6.9	1.10	6.6	344	128.77	7.1	1.30	7.0	322	120.63	7.2	1.35	8.0	284	106.58	7.3	1.55	8.6	264	98.99	7.3	1.70																																																																																																																																																																																																																																																																																																																																																																																																																																																																																																																																																							
4.3	533	199.81	7.8	1.10	4.6	491	184.07	8.2	1.20	5.4	422	158.14	8.7	1.40	6.2	367	137.67	9.0	1.60	6.6	344	128.97	9.1	1.70	7.5	304	113.94	9.3	1.95	8.0	282	105.83	9.4	2.10	6.7	341	199.81	9.1	1.65	7.2	314	184.07	9.2	1.80	8.4	270	158.14	9.4	2.10	9.7	235	137.67	10	2.40	10	220	128.97	10	2.50	12	194	113.94	10	2.90	13	180	105.83	10	3.10	14	164	95.91	10	3.40	15	147	86.11	10	3.80	4.5	499	186.89	6.1	0.90	4.9	459	172.17	6.7	0.95	5.7	395	147.92	6.9	1.10	6.6	344	128.77	7.1	1.30	7.0	322	120.63	7.2	1.35	8.0	284	106.58	7.3	1.55	8.6	264	98.99	7.3	1.70																																																																																																																																																																																																																																																																																																																																																																																																																																																																																																																																																												
4.6	491	184.07	8.2	1.20	5.4	422	158.14	8.7	1.40	6.2	367	137.67	9.0	1.60	6.6	344	128.97	9.1	1.70	7.5	304	113.94	9.3	1.95	8.0	282	105.83	9.4	2.10	6.7	341	199.81	9.1	1.65	7.2	314	184.07	9.2	1.80	8.4	270	158.14	9.4	2.10	9.7	235	137.67	10	2.40	10	220	128.97	10	2.50	12	194	113.94	10	2.90	13	180	105.83	10	3.10	14	164	95.91	10	3.40	15	147	86.11	10	3.80	4.5	499	186.89	6.1	0.90	4.9	459	172.17	6.7	0.95	5.7	395	147.92	6.9	1.10	6.6	344	128.77	7.1	1.30	7.0	322	120.63	7.2	1.35	8.0	284	106.58	7.3	1.55	8.6	264	98.99	7.3	1.70																																																																																																																																																																																																																																																																																																																																																																																																																																																																																																																																																																	
5.4	422	158.14	8.7	1.40	6.2	367	137.67	9.0	1.60	6.6	344	128.97	9.1	1.70	7.5	304	113.94	9.3	1.95	8.0	282	105.83	9.4	2.10	6.7	341	199.81	9.1	1.65	7.2	314	184.07	9.2	1.80	8.4	270	158.14	9.4	2.10	9.7	235	137.67	10	2.40	10	220	128.97	10	2.50	12	194	113.94	10	2.90	13	180	105.83	10	3.10	14	164	95.91	10	3.40	15	147	86.11	10	3.80	4.5	499	186.89	6.1	0.90	4.9	459	172.17	6.7	0.95	5.7	395	147.92	6.9	1.10	6.6	344	128.77	7.1	1.30	7.0	322	120.63	7.2	1.35	8.0	284	106.58	7.3	1.55	8.6	264	98.99	7.3	1.70																																																																																																																																																																																																																																																																																																																																																																																																																																																																																																																																																																						
6.2	367	137.67	9.0	1.60	6.6	344	128.97	9.1	1.70	7.5	304	113.94	9.3	1.95	8.0	282	105.83	9.4	2.10	6.7	341	199.81	9.1	1.65	7.2	314	184.07	9.2	1.80	8.4	270	158.14	9.4	2.10	9.7	235	137.67	10	2.40	10	220	128.97	10	2.50	12	194	113.94	10	2.90	13	180	105.83	10	3.10	14	164	95.91	10	3.40	15	147	86.11	10	3.80	4.5	499	186.89	6.1	0.90	4.9	459	172.17	6.7	0.95	5.7	395	147.92	6.9	1.10	6.6	344	128.77	7.1	1.30	7.0	322	120.63	7.2	1.35	8.0	284	106.58	7.3	1.55	8.6	264	98.99	7.3	1.70																																																																																																																																																																																																																																																																																																																																																																																																																																																																																																																																																																											
6.6	344	128.97	9.1	1.70	7.5	304	113.94	9.3	1.95	8.0	282	105.83	9.4	2.10	6.7	341	199.81	9.1	1.65	7.2	314	184.07	9.2	1.80	8.4	270	158.14	9.4	2.10	9.7	235	137.67	10	2.40	10	220	128.97	10	2.50	12	194	113.94	10	2.90	13	180	105.83	10	3.10	14	164	95.91	10	3.40	15	147	86.11	10	3.80	4.5	499	186.89	6.1	0.90	4.9	459	172.17	6.7	0.95	5.7	395	147.92	6.9	1.10	6.6	344	128.77	7.1	1.30	7.0	322	120.63	7.2	1.35	8.0	284	106.58	7.3	1.55	8.6	264	98.99	7.3	1.70																																																																																																																																																																																																																																																																																																																																																																																																																																																																																																																																																																																
7.5	304	113.94	9.3	1.95	8.0	282	105.83	9.4	2.10	6.7	341	199.81	9.1	1.65	7.2	314	184.07	9.2	1.80	8.4	270	158.14	9.4	2.10	9.7	235	137.67	10	2.40	10	220	128.97	10	2.50	12	194	113.94	10	2.90	13	180	105.83	10	3.10	14	164	95.91	10	3.40	15	147	86.11	10	3.80	4.5	499	186.89	6.1	0.90	4.9	459	172.17	6.7	0.95	5.7	395	147.92	6.9	1.10	6.6	344	128.77	7.1	1.30	7.0	322	120.63	7.2	1.35	8.0	284	106.58	7.3	1.55	8.6	264	98.99	7.3	1.70																																																																																																																																																																																																																																																																																																																																																																																																																																																																																																																																																																																					
8.0	282	105.83	9.4	2.10	6.7	341	199.81	9.1	1.65	7.2	314	184.07	9.2	1.80	8.4	270	158.14	9.4	2.10	9.7	235	137.67	10	2.40	10	220	128.97	10	2.50	12	194	113.94	10	2.90	13	180	105.83	10	3.10	14	164	95.91	10	3.40	15	147	86.11	10	3.80	4.5	499	186.89	6.1	0.90	4.9	459	172.17	6.7	0.95	5.7	395	147.92	6.9	1.10	6.6	344	128.77	7.1	1.30	7.0	322	120.63	7.2	1.35	8.0	284	106.58	7.3	1.55	8.6	264	98.99	7.3	1.70																																																																																																																																																																																																																																																																																																																																																																																																																																																																																																																																																																																										
6.7	341	199.81	9.1	1.65	7.2	314	184.07	9.2	1.80	8.4	270	158.14	9.4	2.10	9.7	235	137.67	10	2.40	10	220	128.97	10	2.50	12	194	113.94	10	2.90	13	180	105.83	10	3.10	14	164	95.91	10	3.40	15	147	86.11	10	3.80	4.5	499	186.89	6.1	0.90	4.9	459	172.17	6.7	0.95	5.7	395	147.92	6.9	1.10	6.6	344	128.77	7.1	1.30	7.0	322	120.63	7.2	1.35	8.0	284	106.58	7.3	1.55	8.6	264	98.99	7.3	1.70																																																																																																																																																																																																																																																																																																																																																																																																																																																																																																																																																																																															
7.2	314	184.07	9.2	1.80	8.4	270	158.14	9.4	2.10	9.7	235	137.67	10	2.40	10	220	128.97	10	2.50	12	194	113.94	10	2.90	13	180	105.83	10	3.10	14	164	95.91	10	3.40	15	147	86.11	10	3.80	4.5	499	186.89	6.1	0.90	4.9	459	172.17	6.7	0.95	5.7	395	147.92	6.9	1.10	6.6	344	128.77	7.1	1.30	7.0	322	120.63	7.2	1.35	8.0	284	106.58	7.3	1.55	8.6	264	98.99	7.3	1.70																																																																																																																																																																																																																																																																																																																																																																																																																																																																																																																																																																																																				
8.4	270	158.14	9.4	2.10	9.7	235	137.67	10	2.40	10	220	128.97	10	2.50	12	194	113.94	10	2.90	13	180	105.83	10	3.10	14	164	95.91	10	3.40	15	147	86.11	10	3.80	4.5	499	186.89	6.1	0.90	4.9	459	172.17	6.7	0.95	5.7	395	147.92	6.9	1.10	6.6	344	128.77	7.1	1.30	7.0	322	120.63	7.2	1.35	8.0	284	106.58	7.3	1.55	8.6	264	98.99	7.3	1.70																																																																																																																																																																																																																																																																																																																																																																																																																																																																																																																																																																																																									
9.7	235	137.67	10	2.40	10	220	128.97	10	2.50	12	194	113.94	10	2.90	13	180	105.83	10	3.10	14	164	95.91	10	3.40	15	147	86.11	10	3.80	4.5	499	186.89	6.1	0.90	4.9	459	172.17	6.7	0.95	5.7	395	147.92	6.9	1.10	6.6	344	128.77	7.1	1.30	7.0	322	120.63	7.2	1.35	8.0	284	106.58	7.3	1.55	8.6	264	98.99	7.3	1.70																																																																																																																																																																																																																																																																																																																																																																																																																																																																																																																																																																																																														
10	220	128.97	10	2.50	12	194	113.94	10	2.90	13	180	105.83	10	3.10	14	164	95.91	10	3.40	15	147	86.11	10	3.80	4.5	499	186.89	6.1	0.90	4.9	459	172.17	6.7	0.95	5.7	395	147.92	6.9	1.10	6.6	344	128.77	7.1	1.30	7.0	322	120.63	7.2	1.35	8.0	284	106.58	7.3	1.55	8.6	264	98.99	7.3	1.70																																																																																																																																																																																																																																																																																																																																																																																																																																																																																																																																																																																																																			
12	194	113.94	10	2.90	13	180	105.83	10	3.10	14	164	95.91	10	3.40	15	147	86.11	10	3.80	4.5	499	186.89	6.1	0.90	4.9	459	172.17	6.7	0.95	5.7	395	147.92	6.9	1.10	6.6	344	128.77	7.1	1.30	7.0	322	120.63	7.2	1.35	8.0	284	106.58	7.3	1.55	8.6	264	98.99	7.3	1.70																																																																																																																																																																																																																																																																																																																																																																																																																																																																																																																																																																																																																								
13	180	105.83	10	3.10	14	164	95.91	10	3.40	15	147	86.11	10	3.80	4.5	499	186.89	6.1	0.90	4.9	459	172.17	6.7	0.95	5.7	395	147.92	6.9	1.10	6.6	344	128.77	7.1	1.30	7.0	322	120.63	7.2	1.35	8.0	284	106.58	7.3	1.55	8.6	264	98.99	7.3	1.70																																																																																																																																																																																																																																																																																																																																																																																																																																																																																																																																																																																																																													
14	164	95.91	10	3.40	15	147	86.11	10	3.80	4.5	499	186.89	6.1	0.90	4.9	459	172.17	6.7	0.95	5.7	395	147.92	6.9	1.10	6.6	344	128.77	7.1	1.30	7.0	322	120.63	7.2	1.35	8.0	284	106.58	7.3	1.55	8.6	264	98.99	7.3	1.70																																																																																																																																																																																																																																																																																																																																																																																																																																																																																																																																																																																																																																		
15	147	86.11	10	3.80	4.5	499	186.89	6.1	0.90	4.9	459	172.17	6.7	0.95	5.7	395	147.92	6.9	1.10	6.6	344	128.77	7.1	1.30	7.0	322	120.63	7.2	1.35	8.0	284	106.58	7.3	1.55	8.6	264	98.99	7.3	1.70																																																																																																																																																																																																																																																																																																																																																																																																																																																																																																																																																																																																																																							
4.5	499	186.89	6.1	0.90	4.9	459	172.17	6.7	0.95	5.7	395	147.92	6.9	1.10	6.6	344	128.77	7.1	1.30	7.0	322	120.63	7.2	1.35	8.0	284	106.58	7.3	1.55	8.6	264	98.99	7.3	1.70																																																																																																																																																																																																																																																																																																																																																																																																																																																																																																																																																																																																																																												
4.9	459	172.17	6.7	0.95	5.7	395	147.92	6.9	1.10	6.6	344	128.77	7.1	1.30	7.0	322	120.63	7.2	1.35	8.0	284	106.58	7.3	1.55	8.6	264	98.99	7.3	1.70																																																																																																																																																																																																																																																																																																																																																																																																																																																																																																																																																																																																																																																	
5.7	395	147.92	6.9	1.10	6.6	344	128.77	7.1	1.30	7.0	322	120.63	7.2	1.35	8.0	284	106.58	7.3	1.55	8.6	264	98.99	7.3	1.70																																																																																																																																																																																																																																																																																																																																																																																																																																																																																																																																																																																																																																																						
6.6	344	128.77	7.1	1.30	7.0	322	120.63	7.2	1.35	8.0	284	106.58	7.3	1.55	8.6	264	98.99	7.3	1.70																																																																																																																																																																																																																																																																																																																																																																																																																																																																																																																																																																																																																																																											
7.0	322	120.63	7.2	1.35	8.0	284	106.58	7.3	1.55	8.6	264	98.99	7.3	1.70																																																																																																																																																																																																																																																																																																																																																																																																																																																																																																																																																																																																																																																																
8.0	284	106.58	7.3	1.55	8.6	264	98.99	7.3	1.70																																																																																																																																																																																																																																																																																																																																																																																																																																																																																																																																																																																																																																																																					
8.6	264	98.99	7.3	1.70																																																																																																																																																																																																																																																																																																																																																																																																																																																																																																																																																																																																																																																																										

选型参数表
(恒功率)
Selection Table
(Constant Power)

n_a [r/min]	M_a [N.m]	i	F_{Ra} [kN]	f_B	机型号 Type size	极数 Pole	n_a [r/min]	M_a [N.m]	i	F_{Ra} [kN]	f_B	机型号 Type size	极数 Pole																																																																																																																																																																																																																																																																																																																																																																																																																																																																																																																																																																																								
0.25kW							0.37kW																																																																																																																																																																																																																																																																																																																																																																																																																																																																																																																																																																																														
311	7.3	4.27	1.8	11	GR29	4P	0.18	17520	7307	37	0.80	GR149R79 GRF149R79	4P																																																																																																																																																																																																																																																																																																																																																																																																																																																																																																																																																																																								
333	6.8	4.00	1.8	12	GRF29		395	5.7	3.37	1.7	13				23	98	57.35	0.1	0.80	GR19 GRF19	4P	0.21	15458	6447	58	0.90	25	92	53.76	0.7	0.85	28	81	47.44	1.5	1.00	30	75	44.18	1.9	1.05	34	66	38.61	2.1	1.20	37	62	36.20	2.1	1.30	42	54	31.94	2.0	1.45	47	48	28.32	2.0	1.65	55	41	24.07	1.9	1.90	53	42	25.23	1.9	1.85	57	38	23.15	1.9	2.00	GR19 GRF19	4P	0.27	11811	4926	63	1.15	67	33	19.71	1.8	2.30	78	28	16.99	1.7	2.70	84	26	15.84	1.7	2.90	96	23	13.84	1.7	3.30	102	21	12.98	1.6	3.60	116	19	11.45	1.6	3.90	131	17	10.15	1.5	4.10	154	14	8.63	1.5	4.60	176	12	7.55	1.4	4.00	189	12	7.04	1.3	4.30	216	10	6.15	1.3	4.80	231	9.5	5.76	1.3	5.00	261	8.4	5.09	1.2	5.50	295	7.4	4.51	1.2	5.80	347	6.3	3.83	1.1	6.40	442	5.0	6.15	1.1	9.80	472	4.7	5.76	1.0	10.00	GR19 GRF19	2P	0.30	10703	4464	39	0.80	534	4.1	5.09	1.0	11.00	603	3.6	4.51	1.0	12.00	710	3.1	3.83	0.9	13.00	140	17	6.07	4.6	2.60	GRX69 GRXF69	6P	0.34	9418	3928	49	0.90	164	14	5.18	4.4	5.40	188	12	4.53	4.2	6.70	198	12	4.30	4.2	6.80	219	11	6.07	4.1	3.90	GRX69 GRXF69	4P	0.33	9634	4018	46	0.85	257	9.1	5.18	3.9	7.90	294	7.9	4.53	3.7	9.90	309	7.5	4.30	3.7	10.00	353	6.6	3.77	3.5	13.00	416	5.6	3.20	3.3	17.00	460	5.1	2.89	3.2	20.00	524	4.4	2.54	3.1	25.00	554	4.2	2.40	3.0	28.00	652	3.6	2.04	2.9	35.00	155	15	5.50	3.6	2.60	GRX59 GRXF59	6P	0.38	8426	3514	51	1.00	168	14	5.07	3.6	2.60	195	12	4.35	3.4	5.80	224	10	3.79	3.2	6.70	242	9.6	5.50	3.2	3.90	GRX59 GRXF59	4P	0.40	7917	3302	68	1.75	262	8.9	5.07	3.1	3.90	306	7.6	4.35	3.0	8.50	351	6.6	3.79	2.9	9.90	375	6.2	3.55	2.8	11.00	424	5.5	3.14	2.7	11.00	457	5.1	2.91	2.6	13.00	504	4.6	2.64	2.5	14.00	561	4.1	2.37	2.5	16.00	652	3.6	2.04	2.3	19.00	693	3.4	1.92	2.3	20.00	806	2.9	1.65	2.2	23.00	0.64	4956	2067	26	0.90	0.79	4059	1693	30	1.10	0.86	3716	1550	32	1.20	0.95	3374	1407	33	1.35	1.1	2940	1226	34	1.50	1.4	2280	951	58	3.65	0.67	4764	1987	28	0.95	0.73	4381	1827	30	1.00	0.83	3834	1599	32	1.15	0.95	3357	1400	33	1.35	1.1	2940	1226	34	1.50	1.4	2251	939	35	2.00	1.6	1971	822	35	2.25	0.93	3438	1434	4.2	0.90	1.1	2894	1207	22	1.10	1.2	2599	1084	23	1.20	0.95	3347	1396	15	0.95	1.1	2944	1228	22	1.05	1.2	2563	1069	23	1.20	1.4	2249	938	25	1.40	1.6	1976	824	26	1.60	1.8	1767	737	26	1.75	2.1	1515	632	26	2.00	3.1	1033	431	27	3.00	3.5	909	379	27	3.45	4.0	806	336	27	3.90	1.7	1933	806	14	0.85	1.8	1817	758	15	0.90	2.0	1563	652	17	1.05	1.7	1870	780	15	0.85	1.9	1650	688	16	1.00	2.2	1441	601	17	1.10	2.5	1264	527	18	1.30	2.9	1098	458	19	1.45	4.9	645	269	19	2.50	5.6	568	237	19	2.85	2.5	1295	540	18	1.25	2.8	1137	474	19	1.45	3.3	964	402	19	1.70	3.7	870	363	19	1.85													
395	5.7	3.37	1.7	13			23	98	57.35	0.1	0.80			GR19 GRF19	4P	0.21	15458	6447	58			0.90	25	92	53.76	0.7	0.85	28	81	47.44	1.5	1.00	30	75	44.18	1.9	1.05	34	66	38.61	2.1	1.20	37	62	36.20	2.1	1.30	42	54	31.94	2.0	1.45	47	48	28.32	2.0	1.65	55	41	24.07	1.9	1.90	53	42	25.23	1.9	1.85	57	38	23.15	1.9	2.00	GR19 GRF19	4P	0.27	11811			4926	63	1.15	67	33	19.71	1.8	2.30	78	28	16.99	1.7	2.70	84	26	15.84	1.7	2.90	96	23	13.84	1.7	3.30	102	21	12.98	1.6	3.60	116	19	11.45	1.6	3.90	131	17	10.15	1.5	4.10	154	14	8.63	1.5	4.60	176	12	7.55	1.4	4.00	189	12	7.04	1.3	4.30	216	10	6.15	1.3	4.80	231	9.5	5.76	1.3	5.00	261	8.4	5.09	1.2	5.50	295	7.4	4.51	1.2	5.80	347	6.3	3.83	1.1	6.40	442	5.0	6.15	1.1	9.80	472	4.7	5.76	1.0	10.00	GR19 GRF19	2P			0.30	10703	4464	39	0.80	534	4.1	5.09	1.0	11.00	603	3.6	4.51	1.0	12.00	710	3.1	3.83	0.9	13.00	140	17	6.07	4.6	2.60			GRX69 GRXF69	6P	0.34	9418	3928	49	0.90	164	14	5.18	4.4	5.40	188	12	4.53	4.2	6.70	198	12	4.30	4.2	6.80	219	11	6.07			4.1	3.90	GRX69 GRXF69	4P	0.33	9634	4018	46	0.85	257	9.1	5.18	3.9	7.90	294	7.9	4.53	3.7	9.90	309	7.5	4.30	3.7	10.00	353	6.6	3.77	3.5	13.00	416	5.6	3.20	3.3	17.00	460	5.1	2.89	3.2	20.00	524	4.4	2.54	3.1	25.00	554	4.2	2.40	3.0	28.00	652	3.6	2.04	2.9	35.00	155			15	5.50	3.6	2.60	GRX59 GRXF59	6P	0.38	8426	3514	51	1.00	168	14	5.07	3.6	2.60	195	12	4.35	3.4	5.80	224	10	3.79	3.2			6.70	242	9.6	5.50	3.2	3.90	GRX59 GRXF59	4P	0.40	7917	3302	68	1.75	262	8.9	5.07	3.1	3.90	306	7.6	4.35	3.0	8.50	351	6.6	3.79	2.9	9.90	375	6.2	3.55	2.8	11.00	424	5.5	3.14	2.7	11.00	457	5.1	2.91	2.6	13.00	504	4.6	2.64	2.5	14.00	561	4.1	2.37	2.5	16.00	652	3.6	2.04	2.3	19.00	693	3.4	1.92	2.3	20.00	806	2.9	1.65	2.2	23.00	0.64	4956	2067	26	0.90	0.79	4059	1693	30	1.10	0.86	3716	1550	32	1.20	0.95	3374	1407	33	1.35	1.1	2940	1226	34	1.50	1.4	2280	951	58	3.65	0.67	4764	1987	28	0.95	0.73	4381	1827	30	1.00	0.83	3834	1599	32	1.15	0.95	3357	1400	33	1.35	1.1	2940	1226	34	1.50	1.4	2251	939	35	2.00	1.6	1971	822	35	2.25	0.93	3438	1434	4.2	0.90	1.1	2894	1207	22	1.10	1.2	2599	1084	23	1.20	0.95	3347	1396	15	0.95	1.1	2944	1228	22	1.05	1.2	2563	1069	23	1.20	1.4	2249	938	25	1.40	1.6	1976	824	26	1.60	1.8	1767	737	26	1.75	2.1	1515	632	26	2.00	3.1	1033	431	27	3.00	3.5	909	379	27	3.45	4.0	806	336	27	3.90	1.7	1933	806	14	0.85	1.8	1817	758	15	0.90	2.0	1563	652	17	1.05	1.7	1870	780	15	0.85	1.9	1650	688	16	1.00	2.2	1441	601	17	1.10	2.5	1264	527	18	1.30	2.9	1098	458	19	1.45	4.9	645	269	19	2.50	5.6	568	237	19	2.85	2.5	1295	540	18	1.25	2.8	1137	474	19	1.45	3.3	964	402	19	1.70	3.7	870	363	19	1.85					
23	98	57.35	0.1	0.80	GR19 GRF19	4P	0.21	15458	6447	58	0.90					25	92	53.76	0.7			0.85	28	81	47.44	1.5	1.00	30	75	44.18	1.9	1.05	34	66	38.61	2.1	1.20	37	62	36.20	2.1	1.30	42	54	31.94	2.0	1.45	47	48	28.32	2.0	1.65	55	41	24.07	1.9	1.90	53	42	25.23	1.9	1.85	57	38	23.15	1.9	2.00	GR19 GRF19	4P	0.27	11811	4926			63	1.15			67	33	19.71	1.8	2.30	78	28	16.99	1.7	2.70	84	26	15.84	1.7	2.90	96	23	13.84	1.7	3.30	102	21	12.98	1.6	3.60	116	19	11.45	1.6	3.90	131	17	10.15	1.5	4.10	154	14	8.63	1.5	4.60	176	12	7.55	1.4	4.00	189	12	7.04	1.3	4.30	216	10	6.15	1.3	4.80	231	9.5	5.76	1.3	5.00	261	8.4	5.09	1.2	5.50	295	7.4	4.51	1.2	5.80	347	6.3	3.83	1.1	6.40	442	5.0	6.15	1.1	9.80	472	4.7	5.76	1.0	10.00	GR19 GRF19	2P	0.30					10703	4464	39	0.80	534	4.1	5.09	1.0	11.00	603	3.6	4.51	1.0	12.00	710	3.1	3.83	0.9	13.00	140	17	6.07	4.6	2.60	GRX69 GRXF69					6P	0.34	9418	3928	49	0.90	164	14	5.18	4.4	5.40	188	12	4.53	4.2	6.70	198	12	4.30	4.2	6.80	219	11			6.07	4.1			3.90	GRX69 GRXF69	4P	0.33	9634	4018	46	0.85	257	9.1	5.18	3.9	7.90	294	7.9	4.53	3.7	9.90	309	7.5	4.30	3.7	10.00	353	6.6	3.77	3.5	13.00	416	5.6	3.20	3.3	17.00	460	5.1	2.89	3.2	20.00	524	4.4	2.54	3.1	25.00	554	4.2	2.40	3.0	28.00	652	3.6	2.04			2.9	35.00	155	15			5.50	3.6	2.60	GRX59 GRXF59	6P	0.38	8426	3514	51	1.00	168	14	5.07	3.6	2.60	195	12	4.35	3.4			5.80	224	10	3.79	3.2	6.70			242	9.6	5.50	3.2	3.90	GRX59 GRXF59	4P	0.40	7917	3302	68	1.75	262	8.9	5.07	3.1	3.90	306	7.6	4.35	3.0	8.50	351	6.6	3.79	2.9	9.90	375	6.2	3.55	2.8	11.00	424	5.5	3.14	2.7	11.00	457	5.1	2.91	2.6	13.00	504	4.6	2.64	2.5	14.00	561	4.1	2.37	2.5	16.00	652	3.6	2.04	2.3	19.00	693	3.4	1.92	2.3	20.00	806	2.9	1.65	2.2	23.00	0.64	4956	2067	26	0.90	0.79	4059	1693	30	1.10	0.86	3716	1550	32	1.20	0.95	3374	1407	33	1.35	1.1	2940	1226	34	1.50	1.4	2280	951	58	3.65	0.67	4764	1987	28	0.95	0.73	4381	1827	30	1.00	0.83	3834	1599	32	1.15	0.95	3357	1400	33	1.35	1.1	2940	1226	34	1.50	1.4	2251	939	35	2.00	1.6	1971	822	35	2.25	0.93	3438	1434	4.2	0.90	1.1	2894	1207	22	1.10	1.2	2599	1084	23	1.20	0.95	3347	1396	15	0.95	1.1	2944	1228	22	1.05	1.2	2563	1069	23	1.20	1.4	2249	938	25	1.40	1.6	1976	824	26	1.60	1.8	1767	737	26	1.75	2.1	1515	632	26	2.00	3.1	1033	431	27	3.00	3.5	909	379	27	3.45	4.0	806	336	27	3.90	1.7	1933	806	14	0.85	1.8	1817	758	15	0.90	2.0	1563	652	17	1.05	1.7	1870	780	15	0.85	1.9	1650	688	16	1.00	2.2	1441	601	17	1.10	2.5	1264	527	18	1.30	2.9	1098	458	19	1.45	4.9	645	269	19	2.50	5.6	568	237	19	2.85	2.5	1295	540	18	1.25	2.8	1137	474	19	1.45	3.3	964	402	19	1.70	3.7	870	363
25	92	53.76	0.7	0.85			28	81	47.44	1.5	1.00					30	75	44.18	1.9			1.05	34	66	38.61	2.1	1.20	37	62	36.20	2.1	1.30	42	54	31.94	2.0	1.45	47	48	28.32	2.0	1.65	55	41	24.07	1.9	1.90	53	42	25.23	1.9	1.85	57	38	23.15	1.9	2.00	GR19 GRF19	4P	0.27	11811	4926	63	1.15	67	33	19.71			1.8	2.30	78			28	16.99			1.7	2.70	84	26	15.84	1.7	2.90	96	23	13.84	1.7	3.30	102	21	12.98	1.6	3.60	116	19	11.45	1.6	3.90	131	17	10.15	1.5	4.10	154	14	8.63	1.5	4.60	176	12	7.55	1.4	4.00	189	12	7.04	1.3	4.30	216	10	6.15	1.3	4.80	231	9.5	5.76	1.3	5.00	261	8.4	5.09	1.2	5.50	295	7.4	4.51	1.2	5.80	347	6.3	3.83	1.1	6.40	442	5.0	6.15	1.1	9.80	472	4.7	5.76	1.0	10.00	GR19 GRF19	2P	0.30	10703	4464	39	0.80	534			4.1			5.09	1.0	11.00	603	3.6	4.51	1.0	12.00	710	3.1	3.83	0.9	13.00	140	17	6.07	4.6	2.60	GRX69 GRXF69	6P	0.34	9418	3928	49	0.90	164							14	5.18	4.4	5.40	188	12	4.53	4.2	6.70	198	12	4.30	4.2	6.80	219	11	6.07	4.1	3.90	GRX69 GRXF69	4P	0.33			9634	4018			46			0.85	257	9.1	5.18	3.9	7.90	294	7.9	4.53	3.7	9.90	309	7.5	4.30	3.7	10.00	353	6.6	3.77	3.5	13.00	416	5.6	3.20	3.3	17.00	460	5.1	2.89	3.2	20.00	524	4.4	2.54	3.1	25.00	554	4.2	2.40	3.0	28.00	652	3.6	2.04	2.9	35.00	155	15			5.50	3.6	2.60	GRX59 GRXF59			6P	0.38	8426			3514	51	1.00	168	14	5.07	3.6	2.60	195	12	4.35	3.4	5.80	224			10	3.79	3.2	6.70	242	9.6			5.50	3.2	3.90	GRX59 GRXF59	4P			0.40	7917	3302	68	1.75	262	8.9	5.07	3.1	3.90	306	7.6	4.35	3.0	8.50	351	6.6	3.79	2.9	9.90	375	6.2	3.55	2.8	11.00	424	5.5	3.14	2.7	11.00	457	5.1	2.91	2.6	13.00	504	4.6	2.64	2.5	14.00	561	4.1	2.37	2.5	16.00	652	3.6	2.04	2.3	19.00	693	3.4	1.92	2.3	20.00	806	2.9	1.65	2.2	23.00	0.64	4956	2067	26	0.90	0.79	4059	1693	30	1.10	0.86	3716	1550	32	1.20	0.95	3374	1407	33	1.35	1.1	2940	1226	34	1.50	1.4	2280	951	58	3.65	0.67	4764	1987	28	0.95	0.73	4381	1827	30	1.00	0.83	3834	1599	32	1.15	0.95	3357	1400	33	1.35	1.1	2940	1226	34	1.50	1.4	2251	939	35	2.00	1.6	1971	822	35	2.25	0.93	3438	1434	4.2	0.90	1.1	2894	1207	22	1.10	1.2	2599	1084	23	1.20	0.95	3347	1396	15	0.95	1.1	2944	1228	22	1.05	1.2	2563	1069	23	1.20	1.4	2249	938	25	1.40	1.6	1976	824	26	1.60	1.8	1767	737	26	1.75	2.1	1515	632	26	2.00	3.1	1033	431	27	3.00	3.5	909	379	27	3.45	4.0	806	336	27	3.90	1.7	1933	806	14	0.85	1.8	1817	758	15	0.90	2.0	1563	652	17	1.05	1.7	1870	780	15	0.85	1.9	1650	688	16	1.00	2.2	1441	601	17	1.10	2.5	1264	527	18	1.30	2.9	1098	458	19	1.45	4.9	645	269	19	2.50	5.6	568	237	19	2.85	2.5	1295	540	18	1.25	2.8	1137	474	19	1.45	3.3	964	402	19	1.70	3.7	870	363
28	81	47.44	1.5	1.00			30	75	44.18	1.9	1.05					34	66	38.61	2.1			1.20	37	62	36.20	2.1	1.30	42	54	31.94	2.0	1.45	47	48	28.32	2.0	1.65	55	41	24.07	1.9	1.90	53	42	25.23	1.9	1.85	57	38	23.15	1.9	2.00	GR19 GRF19	4P	0.27	11811	4926			63	1.15	67	33	19.71	1.8	2.30	78			28	16.99	1.7			2.70	84			26	15.84	1.7	2.90	96	23	13.84	1.7	3.30	102	21	12.98	1.6	3.60	116	19	11.45	1.6	3.90	131	17	10.15	1.5	4.10	154	14	8.63	1.5	4.60	176	12	7.55	1.4	4.00	189	12	7.04	1.3	4.30	216	10	6.15	1.3	4.80	231	9.5	5.76	1.3	5.00	261	8.4	5.09	1.2	5.50	295	7.4	4.51	1.2	5.80	347	6.3	3.83	1.1	6.40	442	5.0	6.15	1.1	9.80	472	4.7	5.76	1.0	10.00	GR19 GRF19	2P	0.30			10703	4464	39	0.80	534	4.1			5.09	1.0	11.00	603	3.6	4.51	1.0	12.00	710	3.1	3.83	0.9	13.00	140	17	6.07	4.6	2.60	GRX69 GRXF69	6P	0.34			9418	3928	49	0.90	164	14		5.18	4.4				5.40	188	12	4.53	4.2	6.70	198	12	4.30	4.2	6.80	219	11	6.07	4.1	3.90	GRX69 GRXF69	4P	0.33			9634			4018	46			0.85			257	9.1	5.18	3.9	7.90	294	7.9	4.53	3.7	9.90	309	7.5	4.30	3.7	10.00	353	6.6	3.77	3.5	13.00	416	5.6	3.20	3.3	17.00	460	5.1	2.89	3.2	20.00	524	4.4	2.54	3.1	25.00	554	4.2	2.40	3.0	28.00	652	3.6	2.04	2.9	35.00	155	15	5.50	3.6	2.60	GRX59 GRXF59	6P	0.38					8426	3514			51	1.00	168	14	5.07	3.6	2.60	195	12	4.35	3.4	5.80	224	10			3.79	3.2	6.70	242	9.6	5.50			3.2	3.90	GRX59 GRXF59					4P	0.40	7917	3302	68	1.75	262	8.9	5.07	3.1	3.90	306	7.6	4.35	3.0	8.50	351	6.6	3.79	2.9	9.90	375	6.2	3.55	2.8	11.00	424	5.5	3.14	2.7	11.00	457	5.1	2.91	2.6	13.00	504	4.6	2.64	2.5	14.00	561	4.1	2.37	2.5	16.00	652	3.6	2.04	2.3	19.00	693	3.4	1.92	2.3	20.00	806	2.9	1.65	2.2	23.00	0.64	4956	2067	26	0.90	0.79	4059	1693	30	1.10	0.86	3716	1550	32	1.20	0.95	3374	1407	33	1.35	1.1	2940	1226	34	1.50	1.4	2280	951	58	3.65	0.67	4764	1987	28	0.95	0.73	4381	1827	30	1.00	0.83	3834	1599	32	1.15	0.95	3357	1400	33	1.35	1.1	2940	1226	34	1.50	1.4	2251	939	35	2.00	1.6	1971	822	35	2.25	0.93	3438	1434	4.2	0.90	1.1	2894	1207	22	1.10	1.2	2599	1084	23	1.20	0.95	3347	1396	15	0.95	1.1	2944	1228	22	1.05	1.2	2563	1069	23	1.20	1.4	2249	938	25	1.40	1.6	1976	824	26	1.60	1.8	1767	737	26	1.75	2.1	1515	632	26	2.00	3.1	1033	431	27	3.00	3.5	909	379	27	3.45	4.0	806	336	27	3.90	1.7	1933	806	14	0.85	1.8	1817	758	15	0.90	2.0	1563	652	17	1.05	1.7	1870	780	15	0.85	1.9	1650	688	16	1.00	2.2	1441	601	17	1.10	2.5	1264	527	18	1.30	2.9	1098	458	19	1.45	4.9	645	269	19	2.50	5.6	568	237	19	2.85	2.5	1295	540	18	1.25	2.8	1137	474	19	1.45	3.3	964	402	19	1.70	3.7	870
30	75	44.18	1.9	1.05			34	66	38.61	2.1	1.20					37	62	36.20	2.1			1.30	42	54	31.94	2.0	1.45	47	48	28.32	2.0	1.65	55	41	24.07	1.9	1.90	53	42	25.23	1.9	1.85	57	38	23.15	1.9	2.00	GR19 GRF19	4P	0.27	11811	4926			63	1.15	67			33	19.71	1.8	2.30	78	28	16.99	1.7			2.70	84	26			15.84	1.7			2.90	96	23	13.84	1.7	3.30	102	21	12.98	1.6	3.60	116	19	11.45	1.6	3.90	131	17	10.15	1.5	4.10	154	14	8.63	1.5	4.60	176	12	7.55	1.4	4.00	189	12	7.04	1.3	4.30	216	10	6.15	1.3	4.80	231	9.5	5.76	1.3	5.00	261	8.4	5.09	1.2	5.50	295	7.4	4.51	1.2	5.80	347	6.3	3.83	1.1	6.40	442	5.0	6.15	1.1	9.80	472	4.7	5.76	1.0	10.00	GR19 GRF19	2P	0.30			10703			4464	39	0.80	534	4.1	5.09	1.0	11.00	603	3.6	4.51	1.0	12.00	710	3.1	3.83	0.9	13.00	140	17	6.07	4.6	2.60	GRX69 GRXF69	6P	0.34			9418			3928	49	0.90	164	14	5.18		4.4	5.40	188	12		4.53	4.2	6.70	198	12	4.30	4.2	6.80	219	11	6.07	4.1	3.90	GRX69 GRXF69	4P	0.33			9634			4018			46	0.85			257			9.1	5.18	3.9	7.90	294	7.9	4.53	3.7	9.90	309	7.5	4.30	3.7	10.00	353	6.6	3.77	3.5	13.00	416	5.6	3.20	3.3	17.00	460	5.1	2.89	3.2	20.00	524	4.4	2.54	3.1	25.00	554	4.2	2.40	3.0	28.00	652	3.6	2.04	2.9	35.00	155	15	5.50	3.6	2.60	GRX59 GRXF59			6P		0.38	8426		3514	51			1.00	168	14	5.07	3.6	2.60	195	12	4.35	3.4	5.80	224	10	3.79			3.2	6.70	242	9.6	5.50	3.2			3.90	GRX59 GRXF59							4P	0.40	7917	3302	68	1.75	262	8.9	5.07	3.1	3.90	306	7.6	4.35	3.0	8.50	351	6.6	3.79	2.9	9.90	375	6.2	3.55	2.8	11.00	424	5.5	3.14	2.7	11.00	457	5.1	2.91	2.6	13.00	504	4.6	2.64	2.5	14.00	561	4.1	2.37	2.5	16.00	652	3.6	2.04	2.3	19.00	693	3.4	1.92	2.3	20.00	806	2.9	1.65	2.2	23.00	0.64	4956	2067	26	0.90	0.79	4059	1693	30	1.10	0.86	3716	1550	32	1.20	0.95	3374	1407	33	1.35	1.1	2940	1226	34	1.50	1.4	2280	951	58	3.65	0.67	4764	1987	28	0.95	0.73	4381	1827	30	1.00	0.83	3834	1599	32	1.15	0.95	3357	1400	33	1.35	1.1	2940	1226	34	1.50	1.4	2251	939	35	2.00	1.6	1971	822	35	2.25	0.93	3438	1434	4.2	0.90	1.1	2894	1207	22	1.10	1.2	2599	1084	23	1.20	0.95	3347	1396	15	0.95	1.1	2944	1228	22	1.05	1.2	2563	1069	23	1.20	1.4	2249	938	25	1.40	1.6	1976	824	26	1.60	1.8	1767	737	26	1.75	2.1	1515	632	26	2.00	3.1	1033	431	27	3.00	3.5	909	379	27	3.45	4.0	806	336	27	3.90	1.7	1933	806	14	0.85	1.8	1817	758	15	0.90	2.0	1563	652	17	1.05	1.7	1870	780	15	0.85	1.9	1650	688	16	1.00	2.2	1441	601	17	1.10	2.5	1264	527	18	1.30	2.9	1098	458	19	1.45	4.9	645	269	19	2.50	5.6	568	237	19	2.85	2.5	1295	540	18	1.25	2.8	1137	474	19	1.45	3.3	964	402	19	1.70	3.7
34	66	38.61	2.1	1.20			37	62	36.20	2.1	1.30					42	54	31.94	2.0			1.45	47	48	28.32	2.0	1.65	55	41	24.07	1.9	1.90	53	42	25.23	1.9	1.85	57	38	23.15	1.9	2.00	GR19 GRF19	4P	0.27	11811	4926			63	1.15	67			33	19.71	1.8			2.30	78	28	16.99	1.7	2.70	84	26			15.84	1.7	2.90			96	23			13.84	1.7	3.30	102	21	12.98	1.6	3.60	116	19	11.45	1.6	3.90	131	17	10.15	1.5	4.10	154	14	8.63	1.5	4.60	176	12	7.55	1.4	4.00	189	12	7.04	1.3	4.30	216	10	6.15	1.3	4.80	231	9.5	5.76	1.3	5.00	261	8.4	5.09	1.2	5.50	295	7.4	4.51	1.2	5.80	347	6.3	3.83	1.1	6.40	442	5.0	6.15	1.1	9.80	472	4.7	5.76	1.0	10.00	GR19 GRF19	2P	0.30			10703			4464	39	0.80	534	4.1	5.09	1.0	11.00	603	3.6	4.51	1.0	12.00	710	3.1	3.83	0.9	13.00	140	17	6.07	4.6	2.60	GRX69 GRXF69	6P	0.34			9418			3928			49	0.90	164	14	5.18	4.4	5.40	188	12	4.53	4.2	6.70	198	12	4.30	4.2	6.80	219	11	6.07	4.1	3.90	GRX69 GRXF69	4P	0.33			9634			4018			46			0.85	257			9.1			5.18	3.9	7.90	294	7.9	4.53	3.7	9.90	309	7.5	4.30	3.7	10.00	353	6.6	3.77	3.5	13.00	416	5.6	3.20	3.3	17.00	460	5.1	2.89	3.2	20.00	524	4.4	2.54	3.1	25.00	554	4.2	2.40	3.0	28.00	652	3.6	2.04	2.9	35.00	155	15	5.50	3.6	2.60	GRX59 GRXF59						6P	0.38		8426	3514	51	1.00	168	14	5.07	3.6	2.60	195	12	4.35	3.4	5.80	224	10	3.79	3.2			6.70	242	9.6	5.50	3.2	3.90			GRX59 GRXF59									4P	0.40	7917	3302	68	1.75	262	8.9	5.07	3.1	3.90	306	7.6	4.35	3.0	8.50	351	6.6	3.79	2.9	9.90	375	6.2	3.55	2.8	11.00	424	5.5	3.14	2.7	11.00	457	5.1	2.91	2.6	13.00	504	4.6	2.64	2.5	14.00	561	4.1	2.37	2.5	16.00	652	3.6	2.04	2.3	19.00	693	3.4	1.92	2.3	20.00	806	2.9	1.65	2.2	23.00	0.64	4956	2067	26	0.90	0.79	4059	1693	30	1.10	0.86	3716	1550	32	1.20	0.95	3374	1407	33	1.35	1.1	2940	1226	34	1.50	1.4	2280	951	58	3.65	0.67	4764	1987	28	0.95	0.73	4381	1827	30	1.00	0.83	3834	1599	32	1.15	0.95	3357	1400	33	1.35	1.1	2940	1226	34	1.50	1.4	2251	939	35	2.00	1.6	1971	822	35	2.25	0.93	3438	1434	4.2	0.90	1.1	2894	1207	22	1.10	1.2	2599	1084	23	1.20	0.95	3347	1396	15	0.95	1.1	2944	1228	22	1.05	1.2	2563	1069	23	1.20	1.4	2249	938	25	1.40	1.6	1976	824	26	1.60	1.8	1767	737	26	1.75	2.1	1515	632	26	2.00	3.1	1033	431	27	3.00	3.5	909	379	27	3.45	4.0	806	336	27	3.90	1.7	1933	806	14	0.85	1.8	1817	758	15	0.90	2.0	1563	652	17	1.05	1.7	1870	780	15	0.85	1.9	1650	688	16	1.00	2.2	1441	601	17	1.10	2.5	1264	527	18	1.30	2.9	1098	458	19	1.45	4.9	645	269	19	2.50	5.6	568	237	19	2.85	2.5	1295	540	18	1.25	2.8	1137	474	19	1.45	3.3	964	402	19	1.70
37	62	36.20	2.1	1.30			42	54	31.94	2.0	1.45					47	48	28.32	2.0			1.65	55	41	24.07	1.9	1.90	53	42	25.23	1.9	1.85	57	38	23.15	1.9	2.00	GR19 GRF19	4P	0.27	11811	4926			63	1.15	67			33	19.71	1.8			2.30	78	28			16.99	1.7	2.70	84	26	15.84	1.7	2.90			96	23	13.84			1.7	3.30			102	21	12.98	1.6	3.60	116	19	11.45	1.6	3.90	131	17	10.15	1.5	4.10	154	14	8.63	1.5	4.60	176	12	7.55	1.4	4.00	189	12	7.04	1.3	4.30	216	10	6.15	1.3	4.80	231	9.5	5.76	1.3	5.00	261	8.4	5.09	1.2	5.50	295	7.4	4.51	1.2	5.80	347	6.3	3.83	1.1	6.40	442	5.0	6.15	1.1	9.80	472	4.7	5.76	1.0	10.00	GR19 GRF19	2P	0.30			10703			4464	39	0.80	534	4.1	5.09	1.0	11.00	603	3.6	4.51	1.0	12.00	710	3.1	3.83	0.9	13.00	140	17	6.07	4.6	2.60	GRX69 GRXF69	6P	0.34			9418			3928			49	0.90	164	14	5.18	4.4	5.40	188	12	4.53	4.2	6.70	198	12	4.30	4.2	6.80	219	11	6.07	4.1	3.90	GRX69 GRXF69	4P	0.33			9634			4018			46			0.85			257	9.1			5.18			3.9	7.90	294	7.9	4.53	3.7	9.90	309	7.5	4.30	3.7	10.00	353	6.6	3.77	3.5	13.00	416	5.6	3.20	3.3	17.00	460	5.1	2.89	3.2	20.00	524	4.4	2.54	3.1	25.00	554	4.2	2.40	3.0	28.00	652	3.6	2.04	2.9	35.00	155	15	5.50	3.6	2.60	GRX59 GRXF59						6P		0.38	8426	3514	51	1.00	168	14	5.07	3.6	2.60	195	12	4.35	3.4	5.80	224	10	3.79	3.2	6.70			242	9.6	5.50	3.2	3.90	GRX59 GRXF59													4P	0.40	7917	3302	68	1.75	262	8.9	5.07	3.1	3.90	306	7.6	4.35	3.0	8.50	351	6.6	3.79	2.9	9.90	375	6.2	3.55	2.8	11.00	424	5.5	3.14	2.7	11.00	457	5.1	2.91	2.6	13.00	504	4.6	2.64	2.5	14.00	561	4.1	2.37	2.5	16.00	652	3.6	2.04	2.3	19.00	693	3.4	1.92	2.3	20.00	806	2.9	1.65	2.2	23.00	0.64	4956	2067	26	0.90	0.79	4059	1693	30	1.10	0.86	3716	1550	32	1.20	0.95	3374	1407	33	1.35	1.1	2940	1226	34	1.50	1.4	2280	951	58	3.65	0.67	4764	1987	28	0.95	0.73	4381	1827	30	1.00	0.83	3834	1599	32	1.15	0.95	3357	1400	33	1.35	1.1	2940	1226	34	1.50	1.4	2251	939	35	2.00	1.6	1971	822	35	2.25	0.93	3438	1434	4.2	0.90	1.1	2894	1207	22	1.10	1.2	2599	1084	23	1.20	0.95	3347	1396	15	0.95	1.1	2944	1228	22	1.05	1.2	2563	1069	23	1.20	1.4	2249	938	25	1.40	1.6	1976	824	26	1.60	1.8	1767	737	26	1.75	2.1	1515	632	26	2.00	3.1	1033	431	27	3.00	3.5	909	379	27	3.45	4.0	806	336	27	3.90	1.7	1933	806	14	0.85	1.8	1817	758	15	0.90	2.0	1563	652	17	1.05	1.7	1870	780	15	0.85	1.9	1650	688	16	1.00	2.2	1441	601	17	1.10	2.5	1264	527	18	1.30	2.9	1098	458	19	1.45	4.9	645	269	19	2.50	5.6	568	237	19	2.85	2.5	1295	540	18	1.25	2.8	1137	474	19	1.45	3.3	964	402	19
42	54	31.94	2.0	1.45			47	48	28.32	2.0	1.65					55	41	24.07	1.9			1.90	53	42	25.23	1.9	1.85	57	38	23.15	1.9	2.00	GR19 GRF19	4P	0.27	11811	4926			63	1.15	67			33	19.71	1.8			2.30	78	28			16.99	1.7	2.70			84	26	15.84	1.7	2.90	96	23	13.84			1.7	3.30	102			21	12.98			1.6	3.60	116	19	11.45	1.6	3.90	131	17	10.15	1.5	4.10	154	14	8.63	1.5	4.60	176	12	7.55	1.4	4.00	189	12	7.04	1.3	4.30	216	10	6.15	1.3	4.80	231	9.5	5.76	1.3	5.00	261	8.4	5.09	1.2	5.50	295	7.4	4.51	1.2	5.80	347	6.3	3.83	1.1	6.40	442	5.0	6.15	1.1	9.80	472	4.7	5.76	1.0	10.00	GR19 GRF19	2P	0.30			10703			4464	39	0.80	534	4.1	5.09	1.0	11.00	603	3.6	4.51	1.0	12.00	710	3.1	3.83	0.9	13.00	140	17	6.07	4.6	2.60	GRX69 GRXF69	6P	0.34			9418			3928			49	0.90	164	14	5.18	4.4	5.40	188	12	4.53	4.2	6.70	198	12	4.30	4.2	6.80	219	11	6.07	4.1	3.90	GRX69 GRXF69	4P	0.33			9634			4018			46			0.85			257			9.1	5.18			3.9			7.90	294	7.9	4.53	3.7	9.90	309	7.5	4.30	3.7	10.00	353	6.6	3.77	3.5	13.00	416	5.6	3.20	3.3	17.00	460	5.1	2.89	3.2	20.00	524	4.4	2.54	3.1	25.00	554	4.2	2.40	3.0	28.00	652	3.6	2.04	2.9	35.00	155	15	5.50	3.6	2.60	GRX59 GRXF59				6P	0.38				8426	3514	51	1.00	168	14	5.07	3.6	2.60	195	12	4.35	3.4	5.80	224	10	3.79	3.2	6.70	242			9.6	5.50	3.2	3.90	GRX59 GRXF59															4P	0.40	7917	3302	68	1.75	262	8.9	5.07	3.1	3.90	306	7.6	4.35	3.0	8.50	351	6.6	3.79	2.9	9.90	375	6.2	3.55	2.8	11.00	424	5.5	3.14	2.7	11.00	457	5.1	2.91	2.6	13.00	504	4.6	2.64	2.5	14.00	561	4.1	2.37	2.5	16.00	652	3.6	2.04	2.3	19.00	693	3.4	1.92	2.3	20.00	806	2.9	1.65	2.2	23.00	0.64	4956	2067	26	0.90	0.79	4059	1693	30	1.10	0.86	3716	1550	32	1.20	0.95	3374	1407	33	1.35	1.1	2940	1226	34	1.50	1.4	2280	951	58	3.65	0.67	4764	1987	28	0.95	0.73	4381	1827	30	1.00	0.83	3834	1599	32	1.15	0.95	3357	1400	33	1.35	1.1	2940	1226	34	1.50	1.4	2251	939	35	2.00	1.6	1971	822	35	2.25	0.93	3438	1434	4.2	0.90	1.1	2894	1207	22	1.10	1.2	2599	1084	23	1.20	0.95	3347	1396	15	0.95	1.1	2944	1228	22	1.05	1.2	2563	1069	23	1.20	1.4	2249	938	25	1.40	1.6	1976	824	26	1.60	1.8	1767	737	26	1.75	2.1	1515	632	26	2.00	3.1	1033	431	27	3.00	3.5	909	379	27	3.45	4.0	806	336	27	3.90	1.7	1933	806	14	0.85	1.8	1817	758	15	0.90	2.0	1563	652	17	1.05	1.7	1870	780	15	0.85	1.9	1650	688	16	1.00	2.2	1441	601	17	1.10	2.5	1264	527	18	1.30	2.9	1098	458	19	1.45	4.9	645	269	19	2.50	5.6	568	237	19	2.85	2.5	1295	540	18	1.25	2.8	1137	474	19	1.45	3.3	964	402
47	48	28.32	2.0	1.65			55	41	24.07	1.9	1.90	53	42			25.23	1.9	1.85	57			38	23.15	1.9	2.00	GR19 GRF19	4P	0.27	11811	4926	63	1.15			67	33	19.71			1.8	2.30	78			28	16.99	1.7			2.70	84	26			15.84	1.7	2.90			96	23	13.84	1.7	3.30	102	21	12.98			1.6	3.60	116			19	11.45			1.6	3.90	131	17	10.15	1.5	4.10	154	14	8.63	1.5	4.60	176	12	7.55	1.4	4.00	189	12	7.04	1.3	4.30	216	10	6.15	1.3	4.80	231	9.5	5.76	1.3	5.00	261	8.4	5.09	1.2	5.50	295	7.4	4.51	1.2	5.80	347	6.3	3.83	1.1	6.40	442	5.0	6.15	1.1	9.80	472	4.7	5.76	1.0	10.00	GR19 GRF19	2P	0.30	10703	4464			39			0.80	534	4.1	5.09	1.0	11.00	603	3.6	4.51	1.0	12.00	710	3.1	3.83	0.9	13.00	140	17	6.07	4.6	2.60	GRX69 GRXF69	6P	0.34	9418	3928			49			0.90			164	14	5.18	4.4	5.40	188	12	4.53	4.2	6.70	198	12	4.30	4.2	6.80	219	11	6.07	4.1	3.90	GRX69 GRXF69	4P	0.33	9634	4018			46			0.85			257			9.1			5.18			3.9			7.90	294			7.9			4.53	3.7	9.90	309	7.5	4.30	3.7	10.00	353	6.6	3.77	3.5	13.00	416	5.6	3.20	3.3	17.00	460	5.1	2.89	3.2	20.00	524	4.4	2.54	3.1	25.00	554	4.2	2.40	3.0	28.00	652	3.6	2.04	2.9	35.00	155	15	5.50	3.6	2.60	GRX59 GRXF59	6P	0.38				8426		3514	51			1.00	168	14	5.07	3.6	2.60	195	12	4.35	3.4	5.80	224	10	3.79	3.2	6.70	242	9.6	5.50	3.2			3.90	GRX59 GRXF59	4P	0.40																	7917	3302	68	1.75	262	8.9	5.07	3.1	3.90	306	7.6	4.35	3.0	8.50	351	6.6	3.79	2.9	9.90	375	6.2	3.55	2.8	11.00	424	5.5	3.14	2.7	11.00	457	5.1	2.91	2.6	13.00	504	4.6	2.64	2.5	14.00	561	4.1	2.37	2.5	16.00	652	3.6	2.04	2.3	19.00	693	3.4	1.92	2.3	20.00	806	2.9	1.65	2.2	23.00	0.64	4956	2067	26	0.90	0.79	4059	1693	30	1.10	0.86	3716	1550	32	1.20	0.95	3374	1407	33	1.35	1.1	2940	1226	34	1.50	1.4	2280	951	58	3.65	0.67	4764	1987	28	0.95	0.73	4381	1827	30	1.00	0.83	3834	1599	32	1.15	0.95	3357	1400	33	1.35	1.1	2940	1226	34	1.50	1.4	2251	939	35	2.00	1.6	1971	822	35	2.25	0.93	3438	1434	4.2	0.90	1.1	2894	1207	22	1.10	1.2	2599	1084	23	1.20	0.95	3347	1396	15	0.95	1.1	2944	1228	22	1.05	1.2	2563	1069	23	1.20	1.4	2249	938	25	1.40	1.6	1976	824	26	1.60	1.8	1767	737	26	1.75	2.1	1515	632	26	2.00	3.1	1033	431	27	3.00	3.5	909	379	27	3.45	4.0	806	336	27	3.90	1.7	1933	806	14	0.85	1.8	1817	758	15	0.90	2.0	1563	652	17	1.05	1.7	1870	780	15	0.85	1.9	1650	688	16	1.00	2.2	1441	601	17	1.10	2.5	1264	527	18	1.30	2.9	1098	458	19	1.45	4.9	645	269	19	2.50	5.6	568	237	19	2.85	2.5	1295	540	18	1.25	2.8	1137	474	19	1.45	3.3	964	402	19
55	41	24.07	1.9	1.90			53	42	25.23	1.9	1.85	57	38			23.15	1.9	2.00	GR19 GRF19	4P	0.27	11811	4926	63	1.15			67	33	19.71	1.8	2.30			78	28	16.99			1.7	2.70	84			26	15.84	1.7			2.90	96	23			13.84	1.7	3.30			102	21	12.98	1.6	3.60	116	19	11.45			1.6	3.90	131			17	10.15	1.5	4.10	154	14	8.63	1.5	4.60	176	12	7.55	1.4	4.00	189	12	7.04	1.3	4.30	216	10	6.15	1.3	4.80	231	9.5	5.76	1.3	5.00	261	8.4	5.09	1.2	5.50	295	7.4	4.51	1.2	5.80	347	6.3	3.83	1.1	6.40	442	5.0	6.15	1.1	9.80	472	4.7	5.76	1.0	10.00	GR19 GRF19	2P	0.30	10703	4464	39	0.80			534	4.1	5.09			1.0	11.00	603	3.6	4.51	1.0	12.00	710	3.1	3.83	0.9	13.00	140	17	6.07	4.6	2.60	GRX69 GRXF69	6P	0.34	9418	3928	49	0.90			164	14	5.18			4.4			5.40	188	12	4.53	4.2	6.70	198	12	4.30	4.2	6.80	219	11	6.07	4.1	3.90	GRX69 GRXF69	4P	0.33	9634	4018	46	0.85			257	9.1	5.18			3.9			7.90			294			7.9			4.53			3.7	9.90	309	7.5	4.30			3.7			10.00	353	6.6	3.77	3.5	13.00	416	5.6	3.20	3.3	17.00	460	5.1	2.89	3.2	20.00	524	4.4	2.54	3.1	25.00	554	4.2	2.40	3.0	28.00	652	3.6	2.04	2.9	35.00	155	15	5.50	3.6	2.60	GRX59 GRXF59	6P	0.38	8426	3514	51	1.00			168			14	5.07		3.6	2.60		195	12	4.35	3.4	5.80	224	10	3.79	3.2	6.70	242	9.6	5.50	3.2	3.90	GRX59 GRXF59	4P	0.40	7917	3302	68	1.75	262	8.9			5.07																	3.1	3.90	306	7.6	4.35	3.0	8.50	351	6.6	3.79	2.9	9.90	375	6.2	3.55	2.8	11.00	424	5.5	3.14	2.7	11.00	457	5.1	2.91	2.6	13.00	504	4.6	2.64	2.5	14.00	561	4.1	2.37	2.5	16.00	652	3.6	2.04	2.3	19.00	693	3.4	1.92	2.3	20.00	806	2.9	1.65	2.2	23.00	0.64	4956	2067	26	0.90	0.79	4059	1693	30	1.10	0.86	3716	1550	32	1.20	0.95	3374	1407	33	1.35	1.1	2940	1226	34	1.50	1.4	2280	951	58	3.65	0.67	4764	1987	28	0.95	0.73	4381	1827	30	1.00	0.83	3834	1599	32	1.15	0.95	3357	1400	33	1.35	1.1	2940	1226	34	1.50	1.4	2251	939	35	2.00	1.6	1971	822	35	2.25	0.93	3438	1434	4.2	0.90	1.1	2894	1207	22	1.10	1.2	2599	1084	23	1.20	0.95	3347	1396	15	0.95	1.1	2944	1228	22	1.05	1.2	2563	1069	23	1.20	1.4	2249	938	25	1.40	1.6	1976	824	26	1.60	1.8	1767	737	26	1.75	2.1	1515	632	26	2.00	3.1	1033	431	27	3.00	3.5	909	379	27	3.45	4.0	806	336	27	3.90	1.7	1933	806	14	0.85	1.8	1817	758	15	0.90	2.0	1563	652	17	1.05	1.7	1870	780	15	0.85	1.9	1650	688	16	1.00	2.2	1441	601	17	1.10	2.5	1264	527	18	1.30	2.9	1098	458	19	1.45	4.9	645	269	19	2.50	5.6	568	237	19	2.85	2.5	1295	540	18	1.25	2.8	1137	474	19	1.45	3.3	964	402	19	1.70	3.7	870	363	19	1.85	
53	42	25.23	1.9	1.85			57	38	23.15	1.9	2.00	GR19 GRF19	4P	0.27	11811	4926	63	1.15			67	33	19.71	1.8	2.30			78	28	16.99	1.7	2.70			84	26	15.84			1.7	2.90	96			23	13.84	1.7			3.30	102	21			12.98	1.6	3.60			116	19	11.45	1.6	3.90	131	17	10.15			1.5	4.10	154	14	8.63	1.5	4.60	176	12	7.55	1.4	4.00	189	12	7.04	1.3	4.30	216	10	6.15	1.3	4.80	231	9.5	5.76	1.3	5.00	261	8.4	5.09	1.2	5.50	295	7.4	4.51	1.2	5.80	347	6.3	3.83	1.1	6.40	442	5.0	6.15	1.1	9.80	472	4.7	5.76	1.0	10.00	GR19 GRF19	2P	0.30	10703	4464	39	0.80			534	4.1	5.09	1.0	11.00			603	3.6	4.51	1.0	12.00	710	3.1	3.83	0.9	13.00	140	17	6.07	4.6	2.60	GRX69 GRXF69	6P	0.34	9418	3928	49	0.90			164	14	5.18	4.4	5.40			188	12	4.53			4.2	6.70	198	12	4.30	4.2	6.80	219	11	6.07	4.1	3.90	GRX69 GRXF69	4P	0.33	9634	4018	46	0.85			257	9.1	5.18	3.9	7.90			294	7.9	4.53			3.7			9.90			309			7.5			4.30			3.7	10.00	353	6.6	3.77	3.5	13.00	416			5.6	3.20	3.3	17.00	460	5.1	2.89	3.2	20.00	524	4.4	2.54	3.1	25.00	554	4.2	2.40	3.0	28.00	652	3.6	2.04	2.9	35.00	155	15	5.50	3.6	2.60	GRX59 GRXF59	6P	0.38	8426	3514	51	1.00			168	14	5.07	3.6	2.60			195		12	4.35	3.4		5.80	224	10	3.79	3.2	6.70	242	9.6	5.50	3.2	3.90	GRX59 GRXF59	4P	0.40	7917	3302	68	1.75			262	8.9	5.07	3.1	3.90	306	7.6			4.35			3.0	8.50													351	6.6	3.79	2.9	9.90	375	6.2	3.55	2.8	11.00	424	5.5	3.14	2.7	11.00	457	5.1	2.91	2.6	13.00	504	4.6	2.64	2.5	14.00	561	4.1	2.37	2.5	16.00	652	3.6	2.04	2.3	19.00	693	3.4	1.92	2.3	20.00	806	2.9	1.65	2.2	23.00	0.64	4956	2067	26	0.90	0.79	4059	1693	30	1.10	0.86	3716	1550	32	1.20	0.95	3374	1407	33	1.35	1.1	2940	1226	34	1.50	1.4	2280	951	58	3.65	0.67	4764	1987	28	0.95	0.73	4381	1827	30	1.00	0.83	3834	1599	32	1.15	0.95	3357	1400	33	1.35	1.1	2940	1226	34	1.50	1.4	2251	939	35	2.00	1.6	1971	822	35	2.25	0.93	3438	1434	4.2	0.90	1.1	2894	1207	22	1.10	1.2	2599	1084	23	1.20	0.95	3347	1396	15	0.95	1.1	2944	1228	22	1.05	1.2	2563	1069	23	1.20	1.4	2249	938	25	1.40	1.6	1976	824	26	1.60	1.8	1767	737	26	1.75	2.1	1515	632	26	2.00	3.1	1033	431	27	3.00	3.5	909	379	27	3.45	4.0	806	336	27	3.90	1.7	1933	806	14	0.85	1.8	1817	758	15	0.90	2.0	1563	652	17	1.05	1.7	1870	780	15	0.85	1.9	1650	688	16	1.00	2.2	1441	601	17	1.10	2.5	1264	527	18	1.30	2.9	1098	458	19	1.45	4.9	645	269	19	2.50	5.6	568	237	19	2.85	2.5	1295	540	18	1.25	2.8	1137	474	19	1.45	3.3	964	402	19	1.70	3.7	870	363	19	1.85								
57	38	23.15	1.9	2.00	GR19 GRF19	4P	0.27	11811	4926	63	1.15			67	33	19.71	1.8	2.30			78	28	16.99	1.7	2.70			84	26	15.84	1.7	2.90			96	23	13.84			1.7	3.30	102			21	12.98	1.6			3.60	116	19			11.45	1.6	3.90			131	17	10.15	1.5	4.10	154	14	8.63	1.5	4.60	176	12	7.55	1.4	4.00	189	12	7.04	1.3	4.30	216	10	6.15	1.3	4.80	231	9.5	5.76	1.3	5.00	261	8.4	5.09	1.2	5.50	295	7.4	4.51	1.2	5.80	347	6.3	3.83	1.1	6.40	442	5.0	6.15	1.1	9.80	472	4.7	5.76	1.0	10.00	GR19 GRF19	2P	0.30	10703	4464	39	0.80			534	4.1	5.09	1.0	11.00			603	3.6	4.51	1.0	12.00	710	3.1	3.83	0.9	13.00	140	17	6.07	4.6	2.60	GRX69 GRXF69	6P	0.34	9418	3928	49	0.90			164	14	5.18	4.4	5.40			188	12	4.53	4.2	6.70			198	12	4.30	4.2	6.80	219	11	6.07	4.1	3.90	GRX69 GRXF69	4P	0.33	9634	4018	46	0.85			257	9.1	5.18	3.9	7.90			294	7.9	4.53	3.7	9.90			309	7.5	4.30			3.7			10.00			353			6.6			3.77			3.5	13.00	416	5.6	3.20	3.3	17.00	460	5.1	2.89	3.2	20.00	524	4.4	2.54	3.1	25.00	554	4.2	2.40	3.0	28.00	652	3.6	2.04	2.9	35.00	155	15	5.50	3.6	2.60	GRX59 GRXF59	6P	0.38	8426	3514	51	1.00			168	14	5.07	3.6	2.60			195	12	4.35	3.4	5.80			224	10	3.79	3.2	6.70	242	9.6	5.50	3.2	3.90	GRX59 GRXF59	4P	0.40	7917	3302	68	1.75			262	8.9	5.07	3.1	3.90			306	7.6	4.35	3.0	8.50	351	6.6			3.79			2.9	9.90						375	6.2						3.55	2.8	11.00	424	5.5	3.14	2.7	11.00	457	5.1	2.91	2.6	13.00	504	4.6	2.64	2.5	14.00	561	4.1	2.37	2.5	16.00	652	3.6	2.04	2.3	19.00	693	3.4	1.92	2.3	20.00	806	2.9	1.65	2.2	23.00	0.64	4956	2067	26	0.90	0.79	4059	1693	30	1.10	0.86	3716	1550	32	1.20	0.95	3374	1407	33	1.35	1.1	2940	1226	34	1.50	1.4	2280	951	58	3.65	0.67	4764	1987	28	0.95	0.73	4381	1827	30	1.00	0.83	3834	1599	32	1.15	0.95	3357	1400	33	1.35	1.1	2940	1226	34	1.50	1.4	2251	939	35	2.00	1.6	1971	822	35	2.25	0.93	3438	1434	4.2	0.90	1.1	2894	1207	22	1.10	1.2	2599	1084	23	1.20	0.95	3347	1396	15	0.95	1.1	2944	1228	22	1.05	1.2	2563	1069	23	1.20	1.4	2249	938	25	1.40	1.6	1976	824	26	1.60	1.8	1767	737	26	1.75	2.1	1515	632	26	2.00	3.1	1033	431	27	3.00	3.5	909	379	27	3.45	4.0	806	336	27	3.90	1.7	1933	806	14	0.85	1.8	1817	758	15	0.90	2.0	1563	652	17	1.05	1.7	1870	780	15	0.85	1.9	1650	688	16	1.00	2.2	1441	601	17	1.10	2.5	1264	527	18	1.30	2.9	1098	458	19	1.45	4.9	645	269	19	2.50	5.6	568	237	19	2.85	2.5	1295	540	18	1.25	2.8	1137	474	19	1.45	3.3	964	402	19	1.70	3.7	870	363	19	1.85															
67	33	19.71	1.8	2.30			78	28	16.99	1.7	2.70			84	26	15.84	1.7	2.90			96	23	13.84	1.7	3.30			102	21	12.98	1.6	3.60			116	19	11.45			1.6	3.90	131			17	10.15	1.5			4.10	154	14			8.63	1.5	4.60	176	12	7.55	1.4	4.00	189	12	7.04	1.3	4.30	216	10	6.15	1.3	4.80	231	9.5	5.76	1.3	5.00	261	8.4	5.09	1.2	5.50	295	7.4	4.51	1.2	5.80	347	6.3	3.83	1.1	6.40	442	5.0	6.15	1.1	9.80	472	4.7	5.76	1.0	10.00	GR19 GRF19	2P	0.30	10703	4464	39	0.80	534	4.1	5.09	1.0	11.00			603	3.6	4.51	1.0	12.00			710	3.1	3.83	0.9	13.00	140	17	6.07	4.6	2.60	GRX69 GRXF69	6P	0.34	9418	3928	49	0.90	164	14	5.18	4.4	5.40			188	12	4.53	4.2	6.70			198	12	4.30	4.2	6.80			219	11	6.07	4.1	3.90	GRX69 GRXF69	4P	0.33	9634	4018	46	0.85	257	9.1	5.18	3.9	7.90			294	7.9	4.53	3.7	9.90			309	7.5	4.30	3.7	10.00			353	6.6	3.77	3.5	13.00			416	5.6	3.20			3.3			17.00			460			5.1			2.89	3.2	20.00	524	4.4	2.54	3.1	25.00	554	4.2	2.40	3.0	28.00	652	3.6	2.04	2.9	35.00	155	15	5.50	3.6	2.60	GRX59 GRXF59	6P	0.38	8426	3514	51	1.00	168	14	5.07	3.6	2.60			195	12	4.35	3.4	5.80			224	10	3.79	3.2	6.70			242	9.6	5.50	3.2	3.90	GRX59 GRXF59	4P	0.40	7917	3302	68	1.75	262	8.9	5.07	3.1	3.90			306	7.6	4.35	3.0	8.50			351	6.6	3.79	2.9	9.90			375	6.2	3.55	2.8	11.00	424	5.5			3.14			2.7	11.00				457	5.1	2.91	2.6						13.00	504	4.6	2.64	2.5	14.00	561	4.1	2.37	2.5	16.00	652	3.6	2.04	2.3	19.00	693	3.4	1.92	2.3	20.00	806	2.9	1.65	2.2	23.00	0.64	4956	2067	26	0.90	0.79	4059	1693	30	1.10	0.86	3716	1550	32	1.20	0.95	3374	1407	33	1.35	1.1	2940	1226	34	1.50	1.4	2280	951	58	3.65	0.67	4764	1987	28	0.95	0.73	4381	1827	30	1.00	0.83	3834	1599	32	1.15	0.95	3357	1400	33	1.35	1.1	2940	1226	34	1.50	1.4	2251	939	35	2.00	1.6	1971	822	35	2.25	0.93	3438	1434	4.2	0.90	1.1	2894	1207	22	1.10	1.2	2599	1084	23	1.20	0.95	3347	1396	15	0.95	1.1	2944	1228	22	1.05	1.2	2563	1069	23	1.20	1.4	2249	938	25	1.40	1.6	1976	824	26	1.60	1.8	1767	737	26	1.75	2.1	1515	632	26	2.00	3.1	1033	431	27	3.00	3.5	909	379	27	3.45	4.0	806	336	27	3.90	1.7	1933	806	14	0.85	1.8	1817	758	15	0.90	2.0	1563	652	17	1.05	1.7	1870	780	15	0.85	1.9	1650	688	16	1.00	2.2	1441	601	17	1.10	2.5	1264	527	18	1.30	2.9	1098	458	19	1.45	4.9	645	269	19	2.50	5.6	568	237	19	2.85	2.5	1295	540	18	1.25	2.8	1137	474	19	1.45	3.3	964	402	19	1.70	3.7	870	363	19	1.85																											
78	28	16.99	1.7	2.70			84	26	15.84	1.7	2.90			96	23	13.84	1.7	3.30			102	21	12.98	1.6	3.60			116	19	11.45	1.6	3.90			131	17	10.15			1.5	4.10	154			14	8.63	1.5			4.60	176	12	7.55	1.4	4.00	189	12	7.04	1.3	4.30	216	10	6.15	1.3	4.80	231	9.5	5.76	1.3	5.00	261	8.4	5.09	1.2	5.50	295	7.4	4.51	1.2	5.80	347	6.3	3.83	1.1	6.40	442	5.0	6.15	1.1	9.80	472	4.7	5.76	1.0	10.00	GR19 GRF19	2P	0.30	10703	4464	39	0.80			534	4.1	5.09	1.0	11.00	603	3.6	4.51	1.0	12.00			710	3.1	3.83	0.9	13.00	140	17	6.07	4.6	2.60	GRX69 GRXF69	6P	0.34	9418	3928	49	0.90			164	14	5.18	4.4	5.40	188	12	4.53	4.2	6.70			198	12	4.30	4.2	6.80			219	11	6.07	4.1	3.90	GRX69 GRXF69	4P	0.33	9634	4018	46	0.85			257	9.1	5.18	3.9	7.90	294	7.9	4.53	3.7	9.90			309	7.5	4.30	3.7	10.00			353	6.6	3.77	3.5	13.00			416	5.6	3.20	3.3	17.00			460	5.1	2.89			3.2			20.00			524			4.4	2.54	3.1	25.00	554	4.2	2.40	3.0	28.00	652	3.6	2.04	2.9	35.00	155	15	5.50	3.6	2.60	GRX59 GRXF59	6P	0.38	8426	3514	51	1.00			168	14	5.07	3.6	2.60	195	12	4.35	3.4	5.80			224	10	3.79	3.2	6.70			242	9.6	5.50	3.2	3.90	GRX59 GRXF59	4P	0.40	7917	3302	68	1.75			262	8.9	5.07	3.1	3.90	306	7.6	4.35	3.0	8.50			351	6.6	3.79	2.9	9.90			375	6.2	3.55	2.8	11.00			424	5.5	3.14	2.7	11.00	457	5.1			2.91			2.6	13.00			504	4.6	2.64	2.5	14.00	561					4.1	2.37	2.5	16.00	652	3.6	2.04	2.3	19.00	693	3.4	1.92	2.3	20.00	806	2.9	1.65	2.2	23.00	0.64	4956	2067	26	0.90	0.79	4059	1693	30	1.10	0.86	3716	1550	32	1.20	0.95	3374	1407	33	1.35	1.1	2940	1226	34	1.50	1.4	2280	951	58	3.65	0.67	4764	1987	28	0.95	0.73	4381	1827	30	1.00	0.83	3834	1599	32	1.15	0.95	3357	1400	33	1.35	1.1	2940	1226	34	1.50	1.4	2251	939	35	2.00	1.6	1971	822	35	2.25	0.93	3438	1434	4.2	0.90	1.1	2894	1207	22	1.10	1.2	2599	1084	23	1.20	0.95	3347	1396	15	0.95	1.1	2944	1228	22	1.05	1.2	2563	1069	23	1.20	1.4	2249	938	25	1.40	1.6	1976	824	26	1.60	1.8	1767	737	26	1.75	2.1	1515	632	26	2.00	3.1	1033	431	27	3.00	3.5	909	379	27	3.45	4.0	806	336	27	3.90	1.7	1933	806	14	0.85	1.8	1817	758	15	0.90	2.0	1563	652	17	1.05	1.7	1870	780	15	0.85	1.9	1650	688	16	1.00	2.2	1441	601	17	1.10	2.5	1264	527	18	1.30	2.9	1098	458	19	1.45	4.9	645	269	19	2.50	5.6	568	237	19	2.85	2.5	1295	540	18	1.25	2.8	1137	474	19	1.45	3.3	964	402	19	1.70	3.7	870	363	19	1.85																																		
84	26	15.84	1.7	2.90			96	23	13.84	1.7	3.30			102	21	12.98	1.6	3.60			116	19	11.45	1.6	3.90			131	17	10.15	1.5	4.10			154	14	8.63			1.5	4.60	176			12	7.55	1.4	4.00	189	12	7.04	1.3	4.30	216	10	6.15	1.3	4.80	231	9.5	5.76	1.3	5.00	261	8.4	5.09	1.2	5.50	295	7.4	4.51	1.2	5.80	347	6.3	3.83	1.1	6.40	442	5.0	6.15	1.1	9.80	472	4.7	5.76	1.0	10.00	GR19 GRF19	2P	0.30	10703	4464	39	0.80			534	4.1	5.09	1.0	11.00			603	3.6	4.51	1.0	12.00	710	3.1	3.83	0.9	13.00	140	17	6.07	4.6	2.60	GRX69 GRXF69	6P	0.34	9418	3928	49	0.90			164	14	5.18	4.4	5.40			188	12	4.53	4.2	6.70	198	12	4.30	4.2	6.80			219	11	6.07	4.1	3.90	GRX69 GRXF69	4P	0.33	9634	4018	46	0.85			257	9.1	5.18	3.9	7.90			294	7.9	4.53	3.7	9.90	309	7.5	4.30	3.7	10.00			353	6.6	3.77	3.5	13.00			416	5.6	3.20	3.3	17.00			460	5.1	2.89	3.2	20.00			524	4.4	2.54			3.1			25.00			554	4.2	2.40	3.0	28.00	652	3.6	2.04	2.9	35.00	155	15	5.50	3.6	2.60	GRX59 GRXF59	6P	0.38	8426	3514	51	1.00			168	14	5.07	3.6	2.60			195	12	4.35	3.4	5.80	224	10	3.79	3.2	6.70			242	9.6	5.50	3.2	3.90	GRX59 GRXF59	4P	0.40	7917	3302	68	1.75			262	8.9	5.07	3.1	3.90			306	7.6	4.35	3.0	8.50	351	6.6	3.79	2.9	9.90			375	6.2	3.55	2.8	11.00			424	5.5	3.14	2.7	11.00			457	5.1	2.91	2.6	13.00	504	4.6			2.64			2.5	14.00		561	4.1	2.37	2.5	16.00	652	3.6	2.04				2.3	19.00	693	3.4	1.92	2.3	20.00	806	2.9	1.65	2.2	23.00	0.64	4956	2067	26	0.90	0.79	4059	1693	30	1.10	0.86	3716	1550	32	1.20	0.95	3374	1407	33	1.35	1.1	2940	1226	34	1.50	1.4	2280	951	58	3.65	0.67	4764	1987	28	0.95	0.73	4381	1827	30	1.00	0.83	3834	1599	32	1.15	0.95	3357	1400	33	1.35	1.1	2940	1226	34	1.50	1.4	2251	939	35	2.00	1.6	1971	822	35	2.25	0.93	3438	1434	4.2	0.90	1.1	2894	1207	22	1.10	1.2	2599	1084	23	1.20	0.95	3347	1396	15	0.95	1.1	2944	1228	22	1.05	1.2	2563	1069	23	1.20	1.4	2249	938	25	1.40	1.6	1976	824	26	1.60	1.8	1767	737	26	1.75	2.1	1515	632	26	2.00	3.1	1033	431	27	3.00	3.5	909	379	27	3.45	4.0	806	336	27	3.90	1.7	1933	806	14	0.85	1.8	1817	758	15	0.90	2.0	1563	652	17	1.05	1.7	1870	780	15	0.85	1.9	1650	688	16	1.00	2.2	1441	601	17	1.10	2.5	1264	527	18	1.30	2.9	1098	458	19	1.45	4.9	645	269	19	2.50	5.6	568	237	19	2.85	2.5	1295	540	18	1.25	2.8	1137	474	19	1.45	3.3	964	402	19	1.70	3.7	870	363	19	1.85																																									
96	23	13.84	1.7	3.30			102	21	12.98	1.6	3.60			116	19	11.45	1.6	3.90			131	17	10.15	1.5	4.10			154	14	8.63	1.5	4.60			176	12	7.55			1.4	4.00	189	12	7.04	1.3	4.30	216	10	6.15	1.3	4.80	231	9.5	5.76	1.3	5.00	261	8.4	5.09	1.2	5.50	295	7.4	4.51	1.2	5.80	347	6.3	3.83	1.1	6.40	442	5.0	6.15	1.1	9.80	472	4.7	5.76	1.0	10.00	GR19 GRF19	2P	0.30	10703	4464	39	0.80			534	4.1	5.09	1.0	11.00			603	3.6	4.51	1.0	12.00	710	3.1	3.83	0.9	13.00	140	17	6.07	4.6	2.60	GRX69 GRXF69	6P	0.34	9418	3928	49	0.90			164	14	5.18	4.4	5.40			188	12	4.53	4.2	6.70			198	12	4.30	4.2	6.80	219	11	6.07	4.1	3.90	GRX69 GRXF69	4P	0.33	9634	4018	46	0.85			257	9.1	5.18	3.9	7.90			294	7.9	4.53	3.7	9.90			309	7.5	4.30	3.7	10.00	353	6.6	3.77	3.5	13.00			416	5.6	3.20	3.3	17.00			460	5.1	2.89	3.2	20.00			524	4.4	2.54	3.1	25.00			554	4.2	2.40			3.0			28.00	652	3.6	2.04	2.9	35.00	155	15	5.50	3.6	2.60	GRX59 GRXF59	6P	0.38	8426	3514	51	1.00			168	14	5.07	3.6	2.60			195	12	4.35	3.4	5.80			224	10	3.79	3.2	6.70	242	9.6	5.50	3.2	3.90	GRX59 GRXF59	4P	0.40	7917	3302	68	1.75			262	8.9	5.07	3.1	3.90			306	7.6	4.35	3.0	8.50			351	6.6	3.79	2.9	9.90	375	6.2	3.55	2.8	11.00			424	5.5	3.14	2.7	11.00			457	5.1	2.91	2.6	13.00			504	4.6	2.64	2.5	14.00	561	4.1			2.37			2.5	16.00	652	3.6	2.04	2.3	19.00	693	3.4	1.92	2.3	20.00			806	2.9	1.65	2.2	23.00	0.64	4956	2067	26	0.90	0.79	4059	1693	30	1.10	0.86	3716	1550	32	1.20	0.95	3374	1407	33	1.35	1.1	2940	1226	34	1.50	1.4	2280	951	58	3.65	0.67	4764	1987	28	0.95	0.73	4381	1827	30	1.00	0.83	3834	1599	32	1.15	0.95	3357	1400	33	1.35	1.1	2940	1226	34	1.50	1.4	2251	939	35	2.00	1.6	1971	822	35	2.25	0.93	3438	1434	4.2	0.90	1.1	2894	1207	22	1.10	1.2	2599	1084	23	1.20	0.95	3347	1396	15	0.95	1.1	2944	1228	22	1.05	1.2	2563	1069	23	1.20	1.4	2249	938	25	1.40	1.6	1976	824	26	1.60	1.8	1767	737	26	1.75	2.1	1515	632	26	2.00	3.1	1033	431	27	3.00	3.5	909	379	27	3.45	4.0	806	336	27	3.90	1.7	1933	806	14	0.85	1.8	1817	758	15	0.90	2.0	1563	652	17	1.05	1.7	1870	780	15	0.85	1.9	1650	688	16	1.00	2.2	1441	601	17	1.10	2.5	1264	527	18	1.30	2.9	1098	458	19	1.45	4.9	645	269	19	2.50	5.6	568	237	19	2.85	2.5	1295	540	18	1.25	2.8	1137	474	19	1.45	3.3	964	402	19	1.70	3.7	870	363	19	1.85																																																
102	21	12.98	1.6	3.60			116	19	11.45	1.6	3.90			131	17	10.15	1.5	4.10			154	14	8.63	1.5	4.60			176	12	7.55	1.4	4.00			189	12	7.04	1.3	4.30	216	10	6.15	1.3	4.80	231	9.5	5.76	1.3	5.00	261	8.4	5.09	1.2	5.50	295	7.4	4.51	1.2	5.80	347	6.3	3.83	1.1	6.40	442	5.0	6.15	1.1	9.80	472	4.7	5.76	1.0	10.00	GR19 GRF19	2P	0.30	10703	4464	39	0.80			534	4.1	5.09	1.0	11.00			603	3.6	4.51	1.0	12.00	710	3.1	3.83	0.9	13.00	140	17	6.07	4.6	2.60	GRX69 GRXF69	6P	0.34	9418	3928	49	0.90			164	14	5.18	4.4	5.40			188	12	4.53	4.2	6.70			198	12	4.30	4.2	6.80	219	11	6.07	4.1	3.90	GRX69 GRXF69	4P	0.33	9634	4018	46	0.85			257	9.1	5.18	3.9	7.90			294	7.9	4.53	3.7	9.90			309	7.5	4.30	3.7	10.00			353	6.6	3.77	3.5	13.00	416	5.6	3.20	3.3	17.00			460	5.1	2.89	3.2	20.00			524	4.4	2.54	3.1	25.00			554	4.2	2.40	3.0	28.00			652	3.6	2.04			2.9	35.00	155	15	5.50	3.6	2.60	GRX59 GRXF59	6P	0.38	8426	3514	51	1.00			168	14	5.07	3.6	2.60			195	12	4.35	3.4	5.80			224	10	3.79	3.2	6.70	242	9.6	5.50	3.2	3.90	GRX59 GRXF59	4P	0.40	7917	3302	68	1.75			262	8.9	5.07	3.1	3.90			306	7.6	4.35	3.0	8.50			351	6.6	3.79	2.9	9.90			375	6.2	3.55	2.8	11.00	424	5.5	3.14	2.7	11.00			457	5.1	2.91	2.6	13.00			504	4.6	2.64	2.5	14.00			561	4.1	2.37	2.5	16.00	652	3.6			2.04		2.3	19.00	693	3.4	1.92	2.3	20.00	806	2.9	1.65	2.2	23.00	0.64	4956		2067	26	0.90	0.79	4059	1693	30	1.10	0.86	3716	1550	32	1.20	0.95	3374	1407	33	1.35	1.1	2940	1226	34	1.50	1.4	2280	951	58	3.65	0.67	4764	1987	28	0.95	0.73	4381	1827	30	1.00	0.83	3834	1599	32	1.15	0.95	3357	1400	33	1.35	1.1	2940	1226	34	1.50	1.4	2251	939	35	2.00	1.6	1971	822	35	2.25	0.93	3438	1434	4.2	0.90	1.1	2894	1207	22	1.10	1.2	2599	1084	23	1.20	0.95	3347	1396	15	0.95	1.1	2944	1228	22	1.05	1.2	2563	1069	23	1.20	1.4	2249	938	25	1.40	1.6	1976	824	26	1.60	1.8	1767	737	26	1.75	2.1	1515	632	26	2.00	3.1	1033	431	27	3.00	3.5	909	379	27	3.45	4.0	806	336	27	3.90	1.7	1933	806	14	0.85	1.8	1817	758	15	0.90	2.0	1563	652	17	1.05	1.7	1870	780	15	0.85	1.9	1650	688	16	1.00	2.2	1441	601	17	1.10	2.5	1264	527	18	1.30	2.9	1098	458	19	1.45	4.9	645	269	19	2.50	5.6	568	237	19	2.85	2.5	1295	540	18	1.25	2.8	1137	474	19	1.45	3.3	964	402	19	1.70	3.7	870	363	19	1.85																																																							
116	19	11.45	1.6	3.90			131	17	10.15	1.5	4.10			154	14	8.63	1.5	4.60			176	12	7.55	1.4	4.00			189	12	7.04	1.3	4.30	216	10	6.15	1.3	4.80	231	9.5	5.76	1.3	5.00	261	8.4	5.09	1.2	5.50	295	7.4	4.51	1.2	5.80	347	6.3	3.83	1.1	6.40	442	5.0	6.15	1.1	9.80	472	4.7	5.76	1.0	10.00	GR19 GRF19	2P	0.30	10703	4464	39	0.80			534	4.1	5.09	1.0	11.00			603	3.6	4.51	1.0	12.00	710	3.1	3.83	0.9	13.00	140	17	6.07	4.6	2.60	GRX69 GRXF69	6P	0.34	9418	3928	49	0.90			164	14	5.18	4.4	5.40			188	12	4.53	4.2	6.70			198	12	4.30	4.2	6.80	219	11	6.07	4.1	3.90	GRX69 GRXF69	4P	0.33	9634	4018	46	0.85			257	9.1	5.18	3.9	7.90			294	7.9	4.53	3.7	9.90			309	7.5	4.30	3.7	10.00			353	6.6	3.77	3.5	13.00			416	5.6	3.20	3.3	17.00	460	5.1	2.89	3.2	20.00			524	4.4	2.54	3.1	25.00			554	4.2	2.40	3.0	28.00			652	3.6	2.04	2.9	35.00			155	15	5.50	3.6	2.60	GRX59 GRXF59	6P	0.38	8426	3514	51	1.00			168	14	5.07	3.6	2.60			195	12	4.35	3.4	5.80			224	10	3.79	3.2	6.70	242	9.6	5.50	3.2	3.90	GRX59 GRXF59	4P	0.40	7917	3302	68	1.75			262	8.9	5.07	3.1	3.90			306	7.6	4.35	3.0	8.50			351	6.6	3.79	2.9	9.90			375	6.2	3.55	2.8	11.00			424	5.5	3.14	2.7	11.00	457	5.1	2.91	2.6	13.00			504	4.6	2.64	2.5	14.00			561	4.1	2.37	2.5	16.00			652	3.6	2.04	2.3	19.00	693	3.4			1.92	2.3	20.00	806	2.9	1.65	2.2	23.00	0.64	4956	2067	26	0.90	0.79	4059	1693	30	1.10	0.86	3716	1550	32	1.20	0.95	3374	1407	33	1.35	1.1	2940	1226	34	1.50	1.4	2280	951	58	3.65	0.67	4764	1987	28	0.95	0.73	4381	1827	30	1.00	0.83	3834	1599	32	1.15	0.95	3357	1400	33	1.35	1.1	2940	1226	34	1.50	1.4	2251	939	35	2.00	1.6	1971	822	35	2.25	0.93	3438	1434	4.2	0.90	1.1	2894	1207	22	1.10	1.2	2599	1084	23	1.20	0.95	3347	1396	15	0.95	1.1	2944	1228	22	1.05	1.2	2563	1069	23	1.20	1.4	2249	938	25	1.40	1.6	1976	824	26	1.60	1.8	1767	737	26	1.75	2.1	1515	632	26	2.00	3.1	1033	431	27	3.00	3.5	909	379	27	3.45	4.0	806	336	27	3.90	1.7	1933	806	14	0.85	1.8	1817	758	15	0.90	2.0	1563	652	17	1.05	1.7	1870	780	15	0.85	1.9	1650	688	16	1.00	2.2	1441	601	17	1.10	2.5	1264	527	18	1.30	2.9	1098	458	19	1.45	4.9	645	269	19	2.50	5.6	568	237	19	2.85	2.5	1295	540	18	1.25	2.8	1137	474	19	1.45	3.3	964	402	19	1.70	3.7	870	363	19	1.85																																																														
131	17	10.15	1.5	4.10			154	14	8.63	1.5	4.60			176	12	7.55	1.4	4.00			189	12	7.04	1.3	4.30	216	10	6.15	1.3	4.80	231	9.5	5.76	1.3	5.00	261	8.4	5.09	1.2	5.50	295	7.4	4.51	1.2	5.80	347	6.3	3.83	1.1	6.40	442	5.0	6.15	1.1	9.80	472	4.7	5.76	1.0	10.00	GR19 GRF19	2P	0.30	10703	4464	39	0.80			534	4.1	5.09	1.0	11.00			603	3.6	4.51	1.0	12.00	710	3.1	3.83	0.9	13.00	140	17	6.07	4.6	2.60	GRX69 GRXF69	6P	0.34	9418	3928	49	0.90			164	14	5.18	4.4	5.40			188	12	4.53	4.2	6.70			198	12	4.30	4.2	6.80	219	11	6.07	4.1	3.90	GRX69 GRXF69	4P	0.33	9634	4018	46	0.85			257	9.1	5.18	3.9	7.90			294	7.9	4.53	3.7	9.90			309	7.5	4.30	3.7	10.00			353	6.6	3.77	3.5	13.00			416	5.6	3.20	3.3	17.00			460	5.1	2.89	3.2	20.00	524	4.4	2.54	3.1	25.00			554	4.2	2.40	3.0	28.00			652	3.6	2.04	2.9	35.00			155	15	5.50	3.6	2.60	GRX59 GRXF59	6P	0.38	8426	3514	51	1.00			168	14	5.07	3.6	2.60			195	12	4.35	3.4	5.80			224	10	3.79	3.2	6.70	242	9.6	5.50	3.2	3.90	GRX59 GRXF59	4P	0.40	7917	3302	68	1.75			262	8.9	5.07	3.1	3.90			306	7.6	4.35	3.0	8.50			351	6.6	3.79	2.9	9.90			375	6.2	3.55	2.8	11.00			424	5.5	3.14	2.7	11.00			457	5.1	2.91	2.6	13.00	504	4.6	2.64	2.5	14.00			561	4.1	2.37	2.5	16.00			652	3.6	2.04	2.3	19.00			693	3.4	1.92	2.3	20.00	806	2.9	1.65	2.2	23.00	0.64	4956	2067	26	0.90	0.79	4059	1693	30	1.10	0.86	3716	1550	32	1.20	0.95	3374	1407	33	1.35	1.1	2940	1226	34	1.50	1.4	2280	951	58	3.65	0.67	4764	1987	28	0.95	0.73	4381	1827	30	1.00	0.83	3834	1599	32	1.15	0.95	3357	1400	33	1.35	1.1	2940	1226	34	1.50	1.4	2251	939	35	2.00	1.6	1971	822	35	2.25	0.93	3438	1434	4.2	0.90	1.1	2894	1207	22	1.10	1.2	2599	1084	23	1.20	0.95	3347	1396	15	0.95	1.1	2944	1228	22	1.05	1.2	2563	1069	23	1.20	1.4	2249	938	25	1.40	1.6	1976	824	26	1.60	1.8	1767	737	26	1.75	2.1	1515	632	26	2.00	3.1	1033	431	27	3.00	3.5	909	379	27	3.45	4.0	806	336	27	3.90	1.7	1933	806	14	0.85	1.8	1817	758	15	0.90	2.0	1563	652	17	1.05	1.7	1870	780	15	0.85	1.9	1650	688	16	1.00	2.2	1441	601	17	1.10	2.5	1264	527	18	1.30	2.9	1098	458	19	1.45	4.9	645	269	19	2.50	5.6	568	237	19	2.85	2.5	1295	540	18	1.25	2.8	1137	474	19	1.45	3.3	964	402	19	1.70	3.7	870	363	19	1.85																																																																					
154	14	8.63	1.5	4.60			176	12	7.55	1.4	4.00			189	12	7.04	1.3	4.30	216	10	6.15	1.3	4.80	231	9.5	5.76	1.3	5.00	261	8.4	5.09	1.2	5.50	295	7.4	4.51	1.2	5.80	347	6.3	3.83	1.1	6.40	442	5.0	6.15	1.1	9.80	472	4.7	5.76	1.0	10.00	GR19 GRF19	2P	0.30	10703	4464	39	0.80			534	4.1	5.09	1.0	11.00			603	3.6	4.51	1.0	12.00	710	3.1	3.83	0.9	13.00	140	17	6.07	4.6	2.60	GRX69 GRXF69	6P	0.34	9418	3928	49	0.90			164	14	5.18	4.4	5.40			188	12	4.53	4.2	6.70			198	12	4.30	4.2	6.80	219	11	6.07	4.1	3.90	GRX69 GRXF69	4P	0.33	9634	4018	46	0.85			257	9.1	5.18	3.9	7.90			294	7.9	4.53	3.7	9.90			309	7.5	4.30	3.7	10.00			353	6.6	3.77	3.5	13.00			416	5.6	3.20	3.3	17.00			460	5.1	2.89	3.2	20.00			524	4.4	2.54	3.1	25.00	554	4.2	2.40	3.0	28.00			652	3.6	2.04	2.9	35.00			155	15	5.50	3.6	2.60	GRX59 GRXF59	6P	0.38	8426	3514	51	1.00			168	14	5.07	3.6	2.60			195	12	4.35	3.4	5.80			224	10	3.79	3.2	6.70	242	9.6	5.50	3.2	3.90	GRX59 GRXF59	4P	0.40	7917	3302	68	1.75			262	8.9	5.07	3.1	3.90			306	7.6	4.35	3.0	8.50			351	6.6	3.79	2.9	9.90			375	6.2	3.55	2.8	11.00			424	5.5	3.14	2.7	11.00			457	5.1	2.91	2.6	13.00			504	4.6	2.64	2.5	14.00	561	4.1	2.37	2.5	16.00			652	3.6	2.04	2.3	19.00			693	3.4	1.92	2.3	20.00	806	2.9	1.65	2.2	23.00	0.64	4956	2067	26	0.90	0.79	4059	1693	30	1.10	0.86	3716	1550	32	1.20	0.95	3374	1407	33	1.35	1.1	2940	1226	34	1.50	1.4	2280	951	58	3.65	0.67	4764	1987	28	0.95	0.73	4381	1827	30	1.00	0.83	3834	1599	32	1.15	0.95	3357	1400	33	1.35	1.1	2940	1226	34	1.50	1.4	2251	939	35	2.00	1.6	1971	822	35	2.25	0.93	3438	1434	4.2	0.90	1.1	2894	1207	22	1.10	1.2	2599	1084	23	1.20	0.95	3347	1396	15	0.95	1.1	2944	1228	22	1.05	1.2	2563	1069	23	1.20	1.4	2249	938	25	1.40	1.6	1976	824	26	1.60	1.8	1767	737	26	1.75	2.1	1515	632	26	2.00	3.1	1033	431	27	3.00	3.5	909	379	27	3.45	4.0	806	336	27	3.90	1.7	1933	806	14	0.85	1.8	1817	758	15	0.90	2.0	1563	652	17	1.05	1.7	1870	780	15	0.85	1.9	1650	688	16	1.00	2.2	1441	601	17	1.10	2.5	1264	527	18	1.30	2.9	1098	458	19	1.45	4.9	645	269	19	2.50	5.6	568	237	19	2.85	2.5	1295	540	18	1.25	2.8	1137	474	19	1.45	3.3	964	402	19	1.70	3.7	870	363	19	1.85																																																																												
176	12	7.55	1.4	4.00			189	12	7.04	1.3	4.30	216	10	6.15	1.3	4.80	231	9.5	5.76	1.3	5.00	261	8.4	5.09	1.2	5.50	295	7.4	4.51	1.2	5.80	347	6.3	3.83	1.1	6.40	442	5.0	6.15	1.1	9.80	472	4.7	5.76	1.0	10.00	GR19 GRF19	2P	0.30	10703	4464	39	0.80			534	4.1	5.09	1.0	11.00			603	3.6	4.51	1.0	12.00	710	3.1	3.83	0.9	13.00	140	17	6.07	4.6	2.60	GRX69 GRXF69	6P	0.34	9418	3928	49	0.90			164	14	5.18	4.4	5.40			188	12	4.53	4.2	6.70			198	12	4.30	4.2	6.80	219	11	6.07	4.1	3.90	GRX69 GRXF69	4P	0.33	9634	4018	46	0.85			257	9.1	5.18	3.9	7.90			294	7.9	4.53	3.7	9.90			309	7.5	4.30	3.7	10.00			353	6.6	3.77	3.5	13.00			416	5.6	3.20	3.3	17.00			460	5.1	2.89	3.2	20.00			524	4.4	2.54	3.1	25.00			554	4.2	2.40	3.0	28.00	652	3.6	2.04	2.9	35.00			155	15	5.50	3.6	2.60	GRX59 GRXF59	6P	0.38	8426	3514	51	1.00			168	14	5.07	3.6	2.60			195	12	4.35	3.4	5.80			224	10	3.79	3.2	6.70	242	9.6	5.50	3.2	3.90	GRX59 GRXF59	4P	0.40	7917	3302	68	1.75			262	8.9	5.07	3.1	3.90			306	7.6	4.35	3.0	8.50			351	6.6	3.79	2.9	9.90			375	6.2	3.55	2.8	11.00			424	5.5	3.14	2.7	11.00			457	5.1	2.91	2.6	13.00			504	4.6	2.64	2.5	14.00			561	4.1	2.37	2.5	16.00	652	3.6	2.04	2.3	19.00			693	3.4	1.92	2.3	20.00	806	2.9	1.65	2.2	23.00	0.64	4956	2067	26	0.90	0.79	4059	1693	30	1.10	0.86	3716	1550	32	1.20	0.95	3374	1407	33	1.35	1.1	2940	1226	34	1.50	1.4	2280	951	58	3.65	0.67	4764	1987	28	0.95	0.73	4381	1827	30	1.00	0.83	3834	1599	32	1.15	0.95	3357	1400	33	1.35	1.1	2940	1226	34	1.50	1.4	2251	939	35	2.00	1.6	1971	822	35	2.25	0.93	3438	1434	4.2	0.90	1.1	2894	1207	22	1.10	1.2	2599	1084	23	1.20	0.95	3347	1396	15	0.95	1.1	2944	1228	22	1.05	1.2	2563	1069	23	1.20	1.4	2249	938	25	1.40	1.6	1976	824	26	1.60	1.8	1767	737	26	1.75	2.1	1515	632	26	2.00	3.1	1033	431	27	3.00	3.5	909	379	27	3.45	4.0	806	336	27	3.90	1.7	1933	806	14	0.85	1.8	1817	758	15	0.90	2.0	1563	652	17	1.05	1.7	1870	780	15	0.85	1.9	1650	688	16	1.00	2.2	1441	601	17	1.10	2.5	1264	527	18	1.30	2.9	1098	458	19	1.45	4.9	645	269	19	2.50	5.6	568	237	19	2.85	2.5	1295	540	18	1.25	2.8	1137	474	19	1.45	3.3	964	402	19	1.70	3.7	870	363	19	1.85																																																																																			
189	12	7.04	1.3	4.30	216	10	6.15	1.3	4.80	231	9.5	5.76	1.3	5.00	261	8.4	5.09	1.2	5.50	295	7.4	4.51	1.2	5.80	347	6.3	3.83	1.1	6.40	442	5.0	6.15	1.1	9.80	472	4.7	5.76	1.0	10.00	GR19 GRF19	2P	0.30	10703	4464	39	0.80			534	4.1	5.09	1.0	11.00			603	3.6	4.51	1.0	12.00	710	3.1	3.83	0.9	13.00	140	17	6.07	4.6	2.60	GRX69 GRXF69	6P	0.34	9418	3928	49	0.90			164	14	5.18	4.4	5.40			188	12	4.53	4.2	6.70			198	12	4.30	4.2	6.80	219	11	6.07	4.1	3.90	GRX69 GRXF69	4P	0.33	9634	4018	46	0.85			257	9.1	5.18	3.9	7.90			294	7.9	4.53	3.7	9.90			309	7.5	4.30	3.7	10.00			353	6.6	3.77	3.5	13.00			416	5.6	3.20	3.3	17.00			460	5.1	2.89	3.2	20.00			524	4.4	2.54	3.1	25.00			554	4.2	2.40	3.0	28.00			652	3.6	2.04	2.9	35.00	155	15	5.50	3.6	2.60	GRX59 GRXF59	6P	0.38	8426	3514	51	1.00			168	14	5.07	3.6	2.60			195	12	4.35	3.4	5.80			224	10	3.79	3.2	6.70	242	9.6	5.50	3.2	3.90	GRX59 GRXF59	4P	0.40	7917	3302	68	1.75			262	8.9	5.07	3.1	3.90			306	7.6	4.35	3.0	8.50			351	6.6	3.79	2.9	9.90			375	6.2	3.55	2.8	11.00			424	5.5	3.14	2.7	11.00			457	5.1	2.91	2.6	13.00			504	4.6	2.64	2.5	14.00			561	4.1	2.37	2.5	16.00			652	3.6	2.04	2.3	19.00	693	3.4	1.92	2.3	20.00	806	2.9	1.65	2.2	23.00	0.64	4956	2067	26	0.90	0.79	4059	1693	30	1.10	0.86	3716	1550	32	1.20	0.95	3374	1407	33	1.35	1.1	2940	1226	34	1.50	1.4	2280	951	58	3.65	0.67	4764	1987	28	0.95	0.73	4381	1827	30	1.00	0.83	3834	1599	32	1.15	0.95	3357	1400	33	1.35	1.1	2940	1226	34	1.50	1.4	2251	939	35	2.00	1.6	1971	822	35	2.25	0.93	3438	1434	4.2	0.90	1.1	2894	1207	22	1.10	1.2	2599	1084	23	1.20	0.95	3347	1396	15	0.95	1.1	2944	1228	22	1.05	1.2	2563	1069	23	1.20	1.4	2249	938	25	1.40	1.6	1976	824	26	1.60	1.8	1767	737	26	1.75	2.1	1515	632	26	2.00	3.1	1033	431	27	3.00	3.5	909	379	27	3.45	4.0	806	336	27	3.90	1.7	1933	806	14	0.85	1.8	1817	758	15	0.90	2.0	1563	652	17	1.05	1.7	1870	780	15	0.85	1.9	1650	688	16	1.00	2.2	1441	601	17	1.10	2.5	1264	527	18	1.30	2.9	1098	458	19	1.45	4.9	645	269	19	2.50	5.6	568	237	19	2.85	2.5	1295	540	18	1.25	2.8	1137	474	19	1.45	3.3	964	402	19	1.70	3.7	870	363	19	1.85																																																																																										
216	10	6.15	1.3	4.80	231	9.5	5.76	1.3	5.00	261	8.4	5.09	1.2	5.50	295	7.4	4.51	1.2	5.80	347	6.3	3.83	1.1	6.40	442	5.0	6.15	1.1	9.80	472	4.7	5.76	1.0	10.00	GR19 GRF19	2P	0.30	10703	4464			39	0.80	534	4.1	5.09			1.0	11.00	603	3.6	4.51	1.0	12.00	710	3.1	3.83	0.9	13.00	140	17	6.07	4.6	2.60	GRX69 GRXF69	6P	0.34	9418	3928			49	0.90	164	14	5.18			4.4	5.40	188	12	4.53			4.2	6.70	198	12	4.30	4.2	6.80	219	11	6.07	4.1	3.90	GRX69 GRXF69	4P	0.33	9634	4018			46	0.85	257	9.1	5.18			3.9	7.90	294	7.9	4.53			3.7	9.90	309	7.5	4.30			3.7	10.00	353	6.6	3.77			3.5	13.00	416	5.6	3.20			3.3	17.00	460	5.1	2.89			3.2	20.00	524	4.4	2.54			3.1	25.00	554	4.2	2.40			3.0	28.00	652	3.6	2.04	2.9	35.00	155	15	5.50	3.6	2.60	GRX59 GRXF59	6P	0.38	8426	3514			51	1.00	168	14	5.07			3.6	2.60	195	12	4.35			3.4	5.80	224	10	3.79	3.2	6.70	242	9.6	5.50	3.2	3.90	GRX59 GRXF59	4P	0.40	7917	3302			68	1.75	262	8.9	5.07			3.1	3.90	306	7.6	4.35			3.0	8.50	351	6.6	3.79			2.9	9.90	375	6.2	3.55			2.8	11.00	424	5.5	3.14			2.7	11.00	457	5.1	2.91			2.6	13.00	504	4.6	2.64			2.5	14.00	561	4.1	2.37			2.5	16.00	652	3.6	2.04	2.3	19.00	693	3.4	1.92	2.3	20.00	806	2.9	1.65	2.2	23.00	0.64	4956	2067	26	0.90	0.79	4059	1693	30	1.10	0.86	3716	1550	32	1.20	0.95	3374	1407	33	1.35	1.1	2940	1226	34	1.50	1.4	2280	951	58	3.65	0.67	4764	1987	28	0.95	0.73	4381	1827	30	1.00	0.83	3834	1599	32	1.15	0.95	3357	1400	33	1.35	1.1	2940	1226	34	1.50	1.4	2251	939	35	2.00	1.6	1971	822	35	2.25	0.93	3438	1434	4.2	0.90	1.1	2894	1207	22	1.10	1.2	2599	1084	23	1.20	0.95	3347	1396	15	0.95	1.1	2944	1228	22	1.05	1.2	2563	1069	23	1.20	1.4	2249	938	25	1.40	1.6	1976	824	26	1.60	1.8	1767	737	26	1.75	2.1	1515	632	26	2.00	3.1	1033	431	27	3.00	3.5	909	379	27	3.45	4.0	806	336	27	3.90	1.7	1933	806	14	0.85	1.8	1817	758	15	0.90	2.0	1563	652	17	1.05	1.7	1870	780	15	0.85	1.9	1650	688	16	1.00	2.2	1441	601	17	1.10	2.5	1264	527	18	1.30	2.9	1098	458	19	1.45	4.9	645	269	19	2.50	5.6	568	237	19	2.85	2.5	1295	540	18	1.25	2.8	1137	474	19	1.45	3.3	964	402	19	1.70	3.7	870	363	19	1.85																																																																																															
231	9.5	5.76	1.3	5.00	261	8.4	5.09	1.2	5.50	295	7.4	4.51	1.2	5.80	347	6.3	3.83	1.1	6.40	442	5.0	6.15	1.1	9.80	472	4.7	5.76	1.0	10.00	GR19 GRF19	2P	0.30	10703	4464			39	0.80	534			4.1	5.09	1.0	11.00	603	3.6	4.51	1.0	12.00	710	3.1	3.83	0.9	13.00	140	17	6.07	4.6	2.60	GRX69 GRXF69	6P	0.34	9418	3928			49	0.90	164			14	5.18	4.4	5.40	188			12	4.53	4.2	6.70	198	12	4.30	4.2	6.80	219	11	6.07	4.1	3.90	GRX69 GRXF69	4P	0.33	9634	4018			46	0.85	257			9.1	5.18	3.9	7.90	294			7.9	4.53	3.7	9.90	309			7.5	4.30	3.7	10.00	353			6.6	3.77	3.5	13.00	416			5.6	3.20	3.3	17.00	460			5.1	2.89	3.2	20.00	524			4.4	2.54	3.1	25.00	554			4.2	2.40	3.0	28.00	652	3.6	2.04	2.9	35.00	155	15	5.50	3.6	2.60	GRX59 GRXF59	6P	0.38	8426	3514			51	1.00	168			14	5.07	3.6	2.60	195			12	4.35	3.4	5.80	224	10	3.79	3.2	6.70	242	9.6	5.50	3.2	3.90	GRX59 GRXF59	4P	0.40	7917	3302			68	1.75	262			8.9	5.07	3.1	3.90	306			7.6	4.35	3.0	8.50	351			6.6	3.79	2.9	9.90	375			6.2	3.55	2.8	11.00	424			5.5	3.14	2.7	11.00	457			5.1	2.91	2.6	13.00	504			4.6	2.64	2.5	14.00	561			4.1	2.37	2.5	16.00	652	3.6	2.04	2.3	19.00	693	3.4	1.92	2.3	20.00	806	2.9	1.65	2.2	23.00	0.64	4956	2067	26	0.90	0.79	4059	1693	30	1.10	0.86	3716	1550	32	1.20	0.95	3374	1407	33	1.35	1.1	2940	1226	34	1.50	1.4	2280	951	58	3.65	0.67	4764	1987	28	0.95	0.73	4381	1827	30	1.00	0.83	3834	1599	32	1.15	0.95	3357	1400	33	1.35	1.1	2940	1226	34	1.50	1.4	2251	939	35	2.00	1.6	1971	822	35	2.25	0.93	3438	1434	4.2	0.90	1.1	2894	1207	22	1.10	1.2	2599	1084	23	1.20	0.95	3347	1396	15	0.95	1.1	2944	1228	22	1.05	1.2	2563	1069	23	1.20	1.4	2249	938	25	1.40	1.6	1976	824	26	1.60	1.8	1767	737	26	1.75	2.1	1515	632	26	2.00	3.1	1033	431	27	3.00	3.5	909	379	27	3.45	4.0	806	336	27	3.90	1.7	1933	806	14	0.85	1.8	1817	758	15	0.90	2.0	1563	652	17	1.05	1.7	1870	780	15	0.85	1.9	1650	688	16	1.00	2.2	1441	601	17	1.10	2.5	1264	527	18	1.30	2.9	1098	458	19	1.45	4.9	645	269	19	2.50	5.6	568	237	19	2.85	2.5	1295	540	18	1.25	2.8	1137	474	19	1.45	3.3	964	402	19	1.70	3.7	870	363	19	1.85																																																																																																				
261	8.4	5.09	1.2	5.50	295	7.4	4.51	1.2	5.80	347	6.3	3.83	1.1	6.40	442	5.0	6.15	1.1	9.80	472	4.7	5.76	1.0	10.00	GR19 GRF19	2P	0.30	10703	4464			39	0.80	534			4.1	5.09	1.0	11.00	603	3.6	4.51	1.0	12.00	710	3.1	3.83	0.9	13.00	140	17	6.07	4.6	2.60	GRX69 GRXF69	6P	0.34	9418	3928			49	0.90	164			14	5.18	4.4			5.40	188	12	4.53	4.2	6.70	198	12	4.30	4.2	6.80	219	11	6.07	4.1	3.90	GRX69 GRXF69	4P	0.33	9634	4018			46	0.85	257			9.1	5.18	3.9			7.90	294	7.9	4.53	3.7			9.90	309	7.5	4.30	3.7			10.00	353	6.6	3.77	3.5			13.00	416	5.6	3.20	3.3			17.00	460	5.1	2.89	3.2			20.00	524	4.4	2.54	3.1			25.00	554	4.2	2.40	3.0	28.00	652	3.6	2.04	2.9	35.00	155	15	5.50	3.6	2.60	GRX59 GRXF59	6P	0.38	8426	3514			51	1.00	168			14	5.07	3.6			2.60	195	12	4.35	3.4	5.80	224	10	3.79	3.2	6.70	242	9.6	5.50	3.2	3.90	GRX59 GRXF59	4P	0.40	7917	3302			68	1.75	262			8.9	5.07	3.1			3.90	306	7.6	4.35	3.0			8.50	351	6.6	3.79	2.9			9.90	375	6.2	3.55	2.8			11.00	424	5.5	3.14	2.7			11.00	457	5.1	2.91	2.6			13.00	504	4.6	2.64	2.5			14.00	561	4.1	2.37	2.5	16.00	652	3.6	2.04	2.3	19.00	693	3.4	1.92	2.3	20.00	806	2.9	1.65	2.2	23.00	0.64	4956	2067	26	0.90	0.79	4059	1693	30	1.10	0.86	3716	1550	32	1.20	0.95	3374	1407	33	1.35	1.1	2940	1226	34	1.50	1.4	2280	951	58	3.65	0.67	4764	1987	28	0.95	0.73	4381	1827	30	1.00	0.83	3834	1599	32	1.15	0.95	3357	1400	33	1.35	1.1	2940	1226	34	1.50	1.4	2251	939	35	2.00	1.6	1971	822	35	2.25	0.93	3438	1434	4.2	0.90	1.1	2894	1207	22	1.10	1.2	2599	1084	23	1.20	0.95	3347	1396	15	0.95	1.1	2944	1228	22	1.05	1.2	2563	1069	23	1.20	1.4	2249	938	25	1.40	1.6	1976	824	26	1.60	1.8	1767	737	26	1.75	2.1	1515	632	26	2.00	3.1	1033	431	27	3.00	3.5	909	379	27	3.45	4.0	806	336	27	3.90	1.7	1933	806	14	0.85	1.8	1817	758	15	0.90	2.0	1563	652	17	1.05	1.7	1870	780	15	0.85	1.9	1650	688	16	1.00	2.2	1441	601	17	1.10	2.5	1264	527	18	1.30	2.9	1098	458	19	1.45	4.9	645	269	19	2.50	5.6	568	237	19	2.85	2.5	1295	540	18	1.25	2.8	1137	474	19	1.45	3.3	964	402	19	1.70	3.7	870	363	19	1.85																																																																																																									
295	7.4	4.51	1.2	5.80	347	6.3	3.83	1.1	6.40	442	5.0	6.15	1.1	9.80	472	4.7	5.76	1.0	10.00	GR19 GRF19	2P	0.30	10703	4464			39	0.80	534			4.1	5.09	1.0	11.00	603	3.6	4.51	1.0	12.00	710	3.1	3.83	0.9	13.00	140	17	6.07	4.6	2.60	GRX69 GRXF69	6P	0.34	9418	3928			49	0.90	164			14	5.18	4.4			5.40	188	12	4.53	4.2	6.70	198	12	4.30	4.2	6.80	219	11	6.07	4.1	3.90	GRX69 GRXF69	4P	0.33	9634	4018			46	0.85	257			9.1	5.18	3.9			7.90	294	7.9			4.53	3.7	9.90	309	7.5			4.30	3.7	10.00	353	6.6			3.77	3.5	13.00	416	5.6			3.20	3.3	17.00	460	5.1			2.89	3.2	20.00	524	4.4			2.54	3.1	25.00	554	4.2	2.40	3.0	28.00	652	3.6	2.04	2.9	35.00	155	15	5.50	3.6	2.60	GRX59 GRXF59	6P	0.38	8426	3514			51	1.00	168			14	5.07	3.6			2.60	195	12	4.35	3.4	5.80	224	10	3.79	3.2	6.70	242	9.6	5.50	3.2	3.90	GRX59 GRXF59	4P	0.40	7917	3302			68	1.75	262			8.9	5.07	3.1			3.90	306	7.6			4.35	3.0	8.50	351	6.6			3.79	2.9	9.90	375	6.2			3.55	2.8	11.00	424	5.5			3.14	2.7	11.00	457	5.1			2.91	2.6	13.00	504	4.6			2.64	2.5	14.00	561	4.1	2.37	2.5	16.00	652	3.6	2.04	2.3	19.00	693	3.4	1.92	2.3	20.00	806	2.9	1.65	2.2	23.00	0.64	4956	2067	26	0.90	0.79	4059	1693	30	1.10	0.86	3716	1550	32	1.20	0.95	3374	1407	33	1.35	1.1	2940	1226	34	1.50	1.4	2280	951	58	3.65	0.67	4764	1987	28	0.95	0.73	4381	1827	30	1.00	0.83	3834	1599	32	1.15	0.95	3357	1400	33	1.35	1.1	2940	1226	34	1.50	1.4	2251	939	35	2.00	1.6	1971	822	35	2.25	0.93	3438	1434	4.2	0.90	1.1	2894	1207	22	1.10	1.2	2599	1084	23	1.20	0.95	3347	1396	15	0.95	1.1	2944	1228	22	1.05	1.2	2563	1069	23	1.20	1.4	2249	938	25	1.40	1.6	1976	824	26	1.60	1.8	1767	737	26	1.75	2.1	1515	632	26	2.00	3.1	1033	431	27	3.00	3.5	909	379	27	3.45	4.0	806	336	27	3.90	1.7	1933	806	14	0.85	1.8	1817	758	15	0.90	2.0	1563	652	17	1.05	1.7	1870	780	15	0.85	1.9	1650	688	16	1.00	2.2	1441	601	17	1.10	2.5	1264	527	18	1.30	2.9	1098	458	19	1.45	4.9	645	269	19	2.50	5.6	568	237	19	2.85	2.5	1295	540	18	1.25	2.8	1137	474	19	1.45	3.3	964	402	19	1.70	3.7	870	363	19	1.85																																																																																																														
347	6.3	3.83	1.1	6.40	442	5.0	6.15	1.1	9.80	472	4.7	5.76	1.0	10.00	GR19 GRF19	2P	0.30	10703	4464			39	0.80	534			4.1	5.09	1.0	11.00	603	3.6	4.51	1.0	12.00	710	3.1	3.83	0.9	13.00	140	17	6.07	4.6	2.60	GRX69 GRXF69	6P	0.34	9418	3928			49	0.90	164			14	5.18	4.4			5.40	188	12	4.53	4.2	6.70	198	12	4.30	4.2	6.80	219	11	6.07	4.1	3.90	GRX69 GRXF69	4P	0.33	9634	4018			46	0.85	257			9.1	5.18	3.9			7.90	294	7.9			4.53	3.7	9.90			309	7.5	4.30	3.7	10.00			353	6.6	3.77	3.5	13.00			416	5.6	3.20	3.3	17.00			460	5.1	2.89	3.2	20.00			524	4.4	2.54	3.1	25.00	554	4.2	2.40	3.0	28.00	652	3.6	2.04	2.9	35.00	155	15	5.50	3.6	2.60	GRX59 GRXF59	6P	0.38	8426	3514			51	1.00	168			14	5.07	3.6			2.60	195	12	4.35	3.4	5.80	224	10	3.79	3.2	6.70	242	9.6	5.50	3.2	3.90	GRX59 GRXF59	4P	0.40	7917	3302			68	1.75	262			8.9	5.07	3.1			3.90	306	7.6			4.35	3.0	8.50			351	6.6	3.79	2.9	9.90			375	6.2	3.55	2.8	11.00			424	5.5	3.14	2.7	11.00			457	5.1	2.91	2.6	13.00			504	4.6	2.64	2.5	14.00	561	4.1	2.37	2.5	16.00	652	3.6	2.04	2.3	19.00	693	3.4	1.92	2.3	20.00	806	2.9	1.65	2.2	23.00	0.64	4956	2067	26	0.90	0.79	4059	1693	30	1.10	0.86	3716	1550	32	1.20	0.95	3374	1407	33	1.35	1.1	2940	1226	34	1.50	1.4	2280	951	58	3.65	0.67	4764	1987	28	0.95	0.73	4381	1827	30	1.00	0.83	3834	1599	32	1.15	0.95	3357	1400	33	1.35	1.1	2940	1226	34	1.50	1.4	2251	939	35	2.00	1.6	1971	822	35	2.25	0.93	3438	1434	4.2	0.90	1.1	2894	1207	22	1.10	1.2	2599	1084	23	1.20	0.95	3347	1396	15	0.95	1.1	2944	1228	22	1.05	1.2	2563	1069	23	1.20	1.4	2249	938	25	1.40	1.6	1976	824	26	1.60	1.8	1767	737	26	1.75	2.1	1515	632	26	2.00	3.1	1033	431	27	3.00	3.5	909	379	27	3.45	4.0	806	336	27	3.90	1.7	1933	806	14	0.85	1.8	1817	758	15	0.90	2.0	1563	652	17	1.05	1.7	1870	780	15	0.85	1.9	1650	688	16	1.00	2.2	1441	601	17	1.10	2.5	1264	527	18	1.30	2.9	1098	458	19	1.45	4.9	645	269	19	2.50	5.6	568	237	19	2.85	2.5	1295	540	18	1.25	2.8	1137	474	19	1.45	3.3	964	402	19	1.70	3.7	870	363	19	1.85																																																																																																																			
442	5.0	6.15	1.1	9.80	472	4.7	5.76	1.0	10.00	GR19 GRF19	2P	0.30	10703	4464			39	0.80	534			4.1	5.09	1.0	11.00	603	3.6	4.51	1.0	12.00	710	3.1	3.83	0.9	13.00	140	17	6.07	4.6	2.60	GRX69 GRXF69	6P	0.34	9418	3928			49	0.90	164			14	5.18	4.4			5.40	188	12	4.53	4.2	6.70	198	12	4.30	4.2	6.80	219	11	6.07	4.1	3.90	GRX69 GRXF69	4P	0.33	9634	4018			46	0.85	257			9.1	5.18	3.9			7.90	294	7.9			4.53	3.7	9.90			309	7.5	4.30			3.7	10.00	353	6.6	3.77			3.5	13.00	416	5.6	3.20			3.3	17.00	460	5.1	2.89			3.2	20.00	524	4.4	2.54	3.1	25.00	554	4.2	2.40	3.0	28.00	652	3.6	2.04	2.9	35.00	155	15	5.50	3.6	2.60	GRX59 GRXF59	6P	0.38	8426	3514			51	1.00	168			14	5.07	3.6			2.60	195	12	4.35	3.4	5.80	224	10	3.79	3.2	6.70	242	9.6	5.50	3.2	3.90	GRX59 GRXF59	4P	0.40	7917	3302			68	1.75	262			8.9	5.07	3.1			3.90	306	7.6			4.35	3.0	8.50			351	6.6	3.79			2.9	9.90	375	6.2	3.55			2.8	11.00	424	5.5	3.14			2.7	11.00	457	5.1	2.91			2.6	13.00	504	4.6	2.64	2.5	14.00	561	4.1	2.37	2.5	16.00	652	3.6	2.04	2.3	19.00	693	3.4	1.92	2.3	20.00	806	2.9	1.65	2.2	23.00	0.64	4956	2067	26	0.90	0.79	4059	1693	30	1.10	0.86	3716	1550	32	1.20	0.95	3374	1407	33	1.35	1.1	2940	1226	34	1.50	1.4	2280	951	58	3.65	0.67	4764	1987	28	0.95	0.73	4381	1827	30	1.00	0.83	3834	1599	32	1.15	0.95	3357	1400	33	1.35	1.1	2940	1226	34	1.50	1.4	2251	939	35	2.00	1.6	1971	822	35	2.25	0.93	3438	1434	4.2	0.90	1.1	2894	1207	22	1.10	1.2	2599	1084	23	1.20	0.95	3347	1396	15	0.95	1.1	2944	1228	22	1.05	1.2	2563	1069	23	1.20	1.4	2249	938	25	1.40	1.6	1976	824	26	1.60	1.8	1767	737	26	1.75	2.1	1515	632	26	2.00	3.1	1033	431	27	3.00	3.5	909	379	27	3.45	4.0	806	336	27	3.90	1.7	1933	806	14	0.85	1.8	1817	758	15	0.90	2.0	1563	652	17	1.05	1.7	1870	780	15	0.85	1.9	1650	688	16	1.00	2.2	1441	601	17	1.10	2.5	1264	527	18	1.30	2.9	1098	458	19	1.45	4.9	645	269	19	2.50	5.6	568	237	19	2.85	2.5	1295	540	18	1.25	2.8	1137	474	19	1.45	3.3	964	402	19	1.70	3.7	870	363	19	1.85																																																																																																																								
472	4.7	5.76	1.0	10.00	GR19 GRF19	2P	0.30	10703	4464			39	0.80	534			4.1	5.09	1.0	11.00	603	3.6	4.51	1.0	12.00	710	3.1	3.83	0.9	13.00	140	17	6.07	4.6	2.60	GRX69 GRXF69	6P	0.34	9418	3928			49	0.90	164			14	5.18	4.4			5.40	188	12	4.53	4.2	6.70	198	12	4.30	4.2	6.80	219	11	6.07	4.1	3.90	GRX69 GRXF69	4P	0.33	9634	4018			46	0.85	257			9.1	5.18	3.9			7.90	294	7.9			4.53	3.7	9.90			309	7.5	4.30			3.7	10.00	353			6.6	3.77	3.5	13.00	416			5.6	3.20	3.3	17.00	460			5.1	2.89	3.2	20.00	524	4.4	2.54	3.1	25.00	554	4.2	2.40	3.0	28.00	652	3.6	2.04	2.9	35.00	155	15	5.50	3.6	2.60	GRX59 GRXF59	6P	0.38	8426	3514			51	1.00	168			14	5.07	3.6			2.60	195	12	4.35	3.4	5.80	224	10	3.79	3.2	6.70	242	9.6	5.50	3.2	3.90	GRX59 GRXF59	4P	0.40	7917	3302			68	1.75	262			8.9	5.07	3.1			3.90	306	7.6			4.35	3.0	8.50			351	6.6	3.79			2.9	9.90	375			6.2	3.55	2.8	11.00	424			5.5	3.14	2.7	11.00	457			5.1	2.91	2.6	13.00	504	4.6	2.64	2.5	14.00	561	4.1	2.37	2.5	16.00	652	3.6	2.04	2.3	19.00	693	3.4	1.92	2.3	20.00	806	2.9	1.65	2.2	23.00	0.64	4956	2067	26	0.90	0.79	4059	1693	30	1.10	0.86	3716	1550	32	1.20	0.95	3374	1407	33	1.35	1.1	2940	1226	34	1.50	1.4	2280	951	58	3.65	0.67	4764	1987	28	0.95	0.73	4381	1827	30	1.00	0.83	3834	1599	32	1.15	0.95	3357	1400	33	1.35	1.1	2940	1226	34	1.50	1.4	2251	939	35	2.00	1.6	1971	822	35	2.25	0.93	3438	1434	4.2	0.90	1.1	2894	1207	22	1.10	1.2	2599	1084	23	1.20	0.95	3347	1396	15	0.95	1.1	2944	1228	22	1.05	1.2	2563	1069	23	1.20	1.4	2249	938	25	1.40	1.6	1976	824	26	1.60	1.8	1767	737	26	1.75	2.1	1515	632	26	2.00	3.1	1033	431	27	3.00	3.5	909	379	27	3.45	4.0	806	336	27	3.90	1.7	1933	806	14	0.85	1.8	1817	758	15	0.90	2.0	1563	652	17	1.05	1.7	1870	780	15	0.85	1.9	1650	688	16	1.00	2.2	1441	601	17	1.10	2.5	1264	527	18	1.30	2.9	1098	458	19	1.45	4.9	645	269	19	2.50	5.6	568	237	19	2.85	2.5	1295	540	18	1.25	2.8	1137	474	19	1.45	3.3	964	402	19	1.70	3.7	870	363	19	1.85																																																																																																																													
534	4.1	5.09	1.0	11.00			603	3.6	4.51			1.0	12.00	710	3.1	3.83	0.9	13.00	140	17	6.07	4.6	2.60	GRX69 GRXF69	6P	0.34	9418	3928	49	0.90	164	14	5.18	4.4	5.40			188	12	4.53			4.2	6.70	198			12	4.30	4.2	6.80	219	11	6.07	4.1	3.90	GRX69 GRXF69	4P	0.33	9634	4018	46	0.85	257	9.1	5.18	3.9	7.90			294	7.9	4.53			3.7	9.90	309			7.5	4.30	3.7			10.00	353	6.6			3.77	3.5	13.00			416	5.6	3.20			3.3	17.00	460			5.1	2.89	3.2	20.00	524			4.4	2.54	3.1	25.00	554	4.2	2.40	3.0	28.00	652	3.6	2.04	2.9	35.00	155	15	5.50	3.6	2.60	GRX59 GRXF59	6P	0.38	8426	3514	51	1.00	168	14	5.07	3.6	2.60			195	12	4.35			3.4	5.80	224			10	3.79	3.2	6.70	242	9.6	5.50	3.2	3.90	GRX59 GRXF59	4P	0.40	7917	3302	68	1.75	262	8.9	5.07	3.1	3.90			306	7.6	4.35			3.0	8.50	351			6.6	3.79	2.9			9.90	375	6.2			3.55	2.8	11.00			424	5.5	3.14			2.7	11.00	457			5.1	2.91	2.6	13.00	504			4.6	2.64	2.5	14.00	561	4.1	2.37	2.5	16.00	652	3.6	2.04	2.3	19.00	693	3.4	1.92	2.3	20.00	806	2.9	1.65	2.2	23.00	0.64	4956	2067	26	0.90	0.79	4059	1693	30	1.10	0.86	3716	1550	32	1.20	0.95	3374	1407	33	1.35	1.1	2940	1226	34	1.50	1.4	2280	951	58	3.65	0.67	4764	1987	28	0.95	0.73	4381	1827	30	1.00	0.83	3834	1599	32	1.15	0.95	3357	1400	33	1.35	1.1	2940	1226	34	1.50	1.4	2251	939	35	2.00	1.6	1971	822	35	2.25	0.93	3438	1434	4.2	0.90	1.1	2894	1207	22	1.10	1.2	2599	1084	23	1.20	0.95	3347	1396	15	0.95	1.1	2944	1228	22	1.05	1.2	2563	1069	23	1.20	1.4	2249	938	25	1.40	1.6	1976	824	26	1.60	1.8	1767	737	26	1.75	2.1	1515	632	26	2.00	3.1	1033	431	27	3.00	3.5	909	379	27	3.45	4.0	806	336	27	3.90	1.7	1933	806	14	0.85	1.8	1817	758	15	0.90	2.0	1563	652	17	1.05	1.7	1870	780	15	0.85	1.9	1650	688	16	1.00	2.2	1441	601	17	1.10	2.5	1264	527	18	1.30	2.9	1098	458	19	1.45	4.9	645	269	19	2.50	5.6	568	237	19	2.85	2.5	1295	540	18	1.25	2.8	1137	474	19	1.45	3.3	964	402	19	1.70	3.7	870	363	19	1.85																																																																																																																																									
603	3.6	4.51	1.0	12.00			710	3.1	3.83	0.9	13.00	140	17	6.07	4.6	2.60	GRX69 GRXF69	6P	0.34	9418	3928	49	0.90			164	14	5.18	4.4	5.40	188	12	4.53	4.2	6.70			198	12	4.30			4.2	6.80	219	11	6.07	4.1	3.90	GRX69 GRXF69	4P	0.33	9634	4018	46	0.85			257	9.1	5.18	3.9	7.90	294	7.9	4.53	3.7	9.90			309	7.5	4.30			3.7	10.00	353			6.6	3.77	3.5			13.00	416	5.6			3.20	3.3	17.00			460	5.1	2.89			3.2	20.00	524			4.4	2.54	3.1	25.00	554	4.2	2.40	3.0	28.00	652	3.6	2.04	2.9	35.00	155	15	5.50	3.6	2.60	GRX59 GRXF59	6P	0.38	8426	3514	51	1.00			168	14	5.07	3.6	2.60	195	12	4.35	3.4	5.80			224	10	3.79			3.2	6.70	242	9.6	5.50	3.2	3.90	GRX59 GRXF59	4P	0.40	7917	3302	68	1.75			262	8.9	5.07	3.1	3.90	306	7.6	4.35	3.0	8.50			351	6.6	3.79			2.9	9.90	375			6.2	3.55	2.8			11.00	424	5.5			3.14	2.7	11.00			457	5.1	2.91			2.6	13.00	504			4.6	2.64	2.5	14.00	561	4.1	2.37	2.5	16.00	652	3.6	2.04	2.3	19.00	693	3.4	1.92	2.3	20.00	806	2.9	1.65	2.2	23.00	0.64	4956	2067	26	0.90	0.79	4059	1693	30	1.10	0.86	3716	1550	32	1.20	0.95	3374	1407	33	1.35	1.1	2940	1226	34	1.50	1.4	2280	951	58	3.65	0.67	4764	1987	28	0.95	0.73	4381	1827	30	1.00	0.83	3834	1599	32	1.15	0.95	3357	1400	33	1.35	1.1	2940	1226	34	1.50	1.4	2251	939	35	2.00	1.6	1971	822	35	2.25	0.93	3438	1434	4.2	0.90	1.1	2894	1207	22	1.10	1.2	2599	1084	23	1.20	0.95	3347	1396	15	0.95	1.1	2944	1228	22	1.05	1.2	2563	1069	23	1.20	1.4	2249	938	25	1.40	1.6	1976	824	26	1.60	1.8	1767	737	26	1.75	2.1	1515	632	26	2.00	3.1	1033	431	27	3.00	3.5	909	379	27	3.45	4.0	806	336	27	3.90	1.7	1933	806	14	0.85	1.8	1817	758	15	0.90	2.0	1563	652	17	1.05	1.7	1870	780	15	0.85	1.9	1650	688	16	1.00	2.2	1441	601	17	1.10	2.5	1264	527	18	1.30	2.9	1098	458	19	1.45	4.9	645	269	19	2.50	5.6	568	237	19	2.85	2.5	1295	540	18	1.25	2.8	1137	474	19	1.45	3.3	964	402	19	1.70	3.7	870	363	19	1.85																																																																																																																																																
710	3.1	3.83	0.9	13.00	140	17	6.07	4.6	2.60	GRX69 GRXF69	6P	0.34	9418	3928	49	0.90			164	14	5.18	4.4	5.40			188	12	4.53	4.2	6.70	198	12	4.30	4.2	6.80			219	11	6.07	4.1	3.90	GRX69 GRXF69	4P	0.33	9634	4018	46	0.85			257	9.1	5.18	3.9	7.90			294	7.9	4.53	3.7	9.90	309	7.5	4.30	3.7	10.00			353	6.6	3.77			3.5	13.00	416			5.6	3.20	3.3			17.00	460	5.1			2.89	3.2	20.00			524	4.4	2.54			3.1	25.00	554	4.2	2.40	3.0	28.00	652	3.6	2.04	2.9	35.00	155	15	5.50	3.6	2.60	GRX59 GRXF59	6P	0.38	8426	3514	51	1.00			168	14	5.07	3.6	2.60			195	12	4.35	3.4	5.80	224	10	3.79	3.2	6.70			242	9.6	5.50	3.2	3.90	GRX59 GRXF59	4P	0.40	7917	3302	68	1.75			262	8.9	5.07	3.1	3.90			306	7.6	4.35	3.0	8.50	351	6.6	3.79	2.9	9.90			375	6.2	3.55			2.8	11.00	424			5.5	3.14	2.7			11.00	457	5.1			2.91	2.6	13.00			504	4.6	2.64			2.5	14.00	561	4.1	2.37	2.5	16.00	652	3.6	2.04	2.3	19.00	693	3.4	1.92	2.3	20.00	806	2.9	1.65	2.2	23.00	0.64	4956	2067	26	0.90	0.79	4059	1693	30	1.10	0.86	3716	1550	32	1.20	0.95	3374	1407	33	1.35	1.1	2940	1226	34	1.50	1.4	2280	951	58	3.65	0.67	4764	1987	28	0.95	0.73	4381	1827	30	1.00	0.83	3834	1599	32	1.15	0.95	3357	1400	33	1.35	1.1	2940	1226	34	1.50	1.4	2251	939	35	2.00	1.6	1971	822	35	2.25	0.93	3438	1434	4.2	0.90	1.1	2894	1207	22	1.10	1.2	2599	1084	23	1.20	0.95	3347	1396	15	0.95	1.1	2944	1228	22	1.05	1.2	2563	1069	23	1.20	1.4	2249	938	25	1.40	1.6	1976	824	26	1.60	1.8	1767	737	26	1.75	2.1	1515	632	26	2.00	3.1	1033	431	27	3.00	3.5	909	379	27	3.45	4.0	806	336	27	3.90	1.7	1933	806	14	0.85	1.8	1817	758	15	0.90	2.0	1563	652	17	1.05	1.7	1870	780	15	0.85	1.9	1650	688	16	1.00	2.2	1441	601	17	1.10	2.5	1264	527	18	1.30	2.9	1098	458	19	1.45	4.9	645	269	19	2.50	5.6	568	237	19	2.85	2.5	1295	540	18	1.25	2.8	1137	474	19	1.45	3.3	964	402	19	1.70	3.7	870	363	19	1.85																																																																																																																																																							
140	17	6.07	4.6	2.60	GRX69 GRXF69	6P	0.34	9418	3928			49	0.90	164	14	5.18			4.4	5.40	188	12	4.53			4.2	6.70	198	12	4.30	4.2	6.80	219	11	6.07	4.1	3.90	GRX69 GRXF69	4P	0.33	9634	4018			46	0.85	257	9.1	5.18			3.9	7.90	294	7.9	4.53			3.7	9.90	309	7.5	4.30	3.7	10.00	353	6.6	3.77			3.5	13.00	416			5.6	3.20	3.3			17.00	460	5.1			2.89	3.2	20.00			524	4.4	2.54			3.1	25.00	554	4.2	2.40	3.0	28.00	652	3.6	2.04	2.9	35.00	155	15	5.50	3.6	2.60	GRX59 GRXF59	6P	0.38	8426	3514			51	1.00	168	14	5.07			3.6	2.60	195	12	4.35			3.4	5.80	224	10	3.79	3.2	6.70	242	9.6	5.50	3.2	3.90	GRX59 GRXF59	4P	0.40	7917	3302			68	1.75	262	8.9	5.07			3.1	3.90	306	7.6	4.35			3.0	8.50	351	6.6	3.79	2.9	9.90	375	6.2	3.55			2.8	11.00	424			5.5	3.14	2.7			11.00	457	5.1			2.91	2.6	13.00			504	4.6	2.64			2.5	14.00	561	4.1	2.37	2.5	16.00	652	3.6	2.04	2.3	19.00	693	3.4	1.92	2.3	20.00	806	2.9	1.65	2.2	23.00	0.64	4956	2067	26	0.90	0.79	4059	1693	30	1.10	0.86	3716	1550	32	1.20	0.95	3374	1407	33	1.35	1.1	2940	1226	34	1.50	1.4	2280	951	58	3.65	0.67	4764	1987	28	0.95	0.73	4381	1827	30	1.00	0.83	3834	1599	32	1.15	0.95	3357	1400	33	1.35	1.1	2940	1226	34	1.50	1.4	2251	939	35	2.00	1.6	1971	822	35	2.25	0.93	3438	1434	4.2	0.90	1.1	2894	1207	22	1.10	1.2	2599	1084	23	1.20	0.95	3347	1396	15	0.95	1.1	2944	1228	22	1.05	1.2	2563	1069	23	1.20	1.4	2249	938	25	1.40	1.6	1976	824	26	1.60	1.8	1767	737	26	1.75	2.1	1515	632	26	2.00	3.1	1033	431	27	3.00	3.5	909	379	27	3.45	4.0	806	336	27	3.90	1.7	1933	806	14	0.85	1.8	1817	758	15	0.90	2.0	1563	652	17	1.05	1.7	1870	780	15	0.85	1.9	1650	688	16	1.00	2.2	1441	601	17	1.10	2.5	1264	527	18	1.30	2.9	1098	458	19	1.45	4.9	645	269	19	2.50	5.6	568	237	19	2.85	2.5	1295	540	18	1.25	2.8	1137	474	19	1.45	3.3	964	402	19	1.70	3.7	870	363	19	1.85																																																																																																																																																												
164	14	5.18	4.4	5.40			188	12	4.53			4.2	6.70	198	12	4.30			4.2	6.80	219	11	6.07	4.1	3.90	GRX69 GRXF69	4P	0.33	9634	4018	46	0.85	257	9.1	5.18	3.9	7.90			294	7.9	4.53			3.7	9.90	309	7.5	4.30			3.7	10.00	353	6.6	3.77			3.5	13.00	416	5.6	3.20	3.3	17.00	460	5.1	2.89			3.2	20.00	524			4.4	2.54	3.1			25.00	554	4.2			2.40	3.0	28.00			652	3.6	2.04	2.9	35.00	155	15	5.50	3.6	2.60	GRX59 GRXF59	6P	0.38	8426	3514	51	1.00	168	14	5.07	3.6	2.60			195	12	4.35			3.4	5.80	224	10	3.79			3.2	6.70	242	9.6	5.50	3.2	3.90	GRX59 GRXF59	4P	0.40	7917	3302	68	1.75	262	8.9	5.07	3.1	3.90			306	7.6	4.35			3.0	8.50	351	6.6	3.79			2.9	9.90	375	6.2	3.55			2.8	11.00	424	5.5	3.14	2.7	11.00	457	5.1	2.91			2.6	13.00	504			4.6	2.64	2.5			14.00	561	4.1			2.37	2.5	16.00			652	3.6	2.04	2.3	19.00	693	3.4	1.92	2.3	20.00	806	2.9	1.65	2.2	23.00	0.64	4956	2067	26	0.90	0.79	4059	1693	30	1.10	0.86	3716	1550	32	1.20	0.95	3374	1407	33	1.35	1.1	2940	1226	34	1.50	1.4	2280	951	58	3.65	0.67	4764	1987	28	0.95	0.73	4381	1827	30	1.00	0.83	3834	1599	32	1.15	0.95	3357	1400	33	1.35	1.1	2940	1226	34	1.50	1.4	2251	939	35	2.00	1.6	1971	822	35	2.25	0.93	3438	1434	4.2	0.90	1.1	2894	1207	22	1.10	1.2	2599	1084	23	1.20	0.95	3347	1396	15	0.95	1.1	2944	1228	22	1.05	1.2	2563	1069	23	1.20	1.4	2249	938	25	1.40	1.6	1976	824	26	1.60	1.8	1767	737	26	1.75	2.1	1515	632	26	2.00	3.1	1033	431	27	3.00	3.5	909	379	27	3.45	4.0	806	336	27	3.90	1.7	1933	806	14	0.85	1.8	1817	758	15	0.90	2.0	1563	652	17	1.05	1.7	1870	780	15	0.85	1.9	1650	688	16	1.00	2.2	1441	601	17	1.10	2.5	1264	527	18	1.30	2.9	1098	458	19	1.45	4.9	645	269	19	2.50	5.6	568	237	19	2.85	2.5	1295	540	18	1.25	2.8	1137	474	19	1.45	3.3	964	402	19	1.70	3.7	870	363	19	1.85																																																																																																																																																																								
188	12	4.53	4.2	6.70			198	12	4.30			4.2	6.80	219	11	6.07	4.1	3.90	GRX69 GRXF69	4P	0.33	9634	4018	46	0.85			257	9.1	5.18	3.9	7.90	294	7.9	4.53	3.7	9.90			309	7.5	4.30			3.7	10.00	353	6.6	3.77			3.5	13.00	416	5.6	3.20			3.3	17.00	460	5.1	2.89	3.2	20.00	524	4.4	2.54			3.1	25.00	554			4.2	2.40	3.0			28.00	652	3.6			2.04	2.9	35.00	155	15	5.50	3.6	2.60	GRX59 GRXF59	6P	0.38	8426	3514	51	1.00			168	14	5.07	3.6	2.60	195	12	4.35	3.4	5.80			224	10	3.79			3.2	6.70	242	9.6	5.50	3.2	3.90	GRX59 GRXF59	4P	0.40	7917	3302	68	1.75			262	8.9	5.07	3.1	3.90	306	7.6	4.35	3.0	8.50			351	6.6	3.79			2.9	9.90	375	6.2	3.55			2.8	11.00	424	5.5	3.14			2.7	11.00	457	5.1	2.91	2.6	13.00	504	4.6	2.64			2.5	14.00	561			4.1	2.37	2.5			16.00	652	3.6			2.04	2.3	19.00	693	3.4	1.92	2.3	20.00	806	2.9	1.65	2.2	23.00	0.64	4956	2067	26	0.90	0.79	4059	1693	30	1.10	0.86	3716	1550	32	1.20	0.95	3374	1407	33	1.35	1.1	2940	1226	34	1.50	1.4	2280	951	58	3.65	0.67	4764	1987	28	0.95	0.73	4381	1827	30	1.00	0.83	3834	1599	32	1.15	0.95	3357	1400	33	1.35	1.1	2940	1226	34	1.50	1.4	2251	939	35	2.00	1.6	1971	822	35	2.25	0.93	3438	1434	4.2	0.90	1.1	2894	1207	22	1.10	1.2	2599	1084	23	1.20	0.95	3347	1396	15	0.95	1.1	2944	1228	22	1.05	1.2	2563	1069	23	1.20	1.4	2249	938	25	1.40	1.6	1976	824	26	1.60	1.8	1767	737	26	1.75	2.1	1515	632	26	2.00	3.1	1033	431	27	3.00	3.5	909	379	27	3.45	4.0	806	336	27	3.90	1.7	1933	806	14	0.85	1.8	1817	758	15	0.90	2.0	1563	652	17	1.05	1.7	1870	780	15	0.85	1.9	1650	688	16	1.00	2.2	1441	601	17	1.10	2.5	1264	527	18	1.30	2.9	1098	458	19	1.45	4.9	645	269	19	2.50	5.6	568	237	19	2.85	2.5	1295	540	18	1.25	2.8	1137	474	19	1.45	3.3	964	402	19	1.70	3.7	870	363	19	1.85																																																																																																																																																																															
198	12	4.30	4.2	6.80			219	11	6.07	4.1	3.90	GRX69 GRXF69	4P	0.33	9634	4018	46	0.85			257	9.1	5.18	3.9	7.90			294	7.9	4.53	3.7	9.90	309	7.5	4.30	3.7	10.00			353	6.6	3.77			3.5	13.00	416	5.6	3.20			3.3	17.00	460	5.1	2.89			3.2	20.00	524	4.4	2.54	3.1	25.00	554	4.2	2.40			3.0	28.00	652			3.6	2.04	2.9			35.00	155	15	5.50	3.6	2.60	GRX59 GRXF59	6P	0.38	8426	3514	51	1.00			168	14	5.07	3.6	2.60			195	12	4.35	3.4	5.80	224	10	3.79	3.2	6.70			242	9.6	5.50	3.2	3.90	GRX59 GRXF59	4P	0.40	7917	3302	68	1.75			262	8.9	5.07	3.1	3.90			306	7.6	4.35	3.0	8.50	351	6.6	3.79	2.9	9.90			375	6.2	3.55			2.8	11.00	424	5.5	3.14			2.7	11.00	457	5.1	2.91			2.6	13.00	504	4.6	2.64	2.5	14.00	561	4.1	2.37			2.5	16.00	652			3.6	2.04	2.3			19.00	693	3.4	1.92	2.3	20.00	806	2.9	1.65	2.2	23.00	0.64	4956	2067	26	0.90	0.79	4059	1693	30	1.10	0.86	3716	1550	32	1.20	0.95	3374	1407	33	1.35	1.1	2940	1226	34	1.50	1.4	2280	951	58	3.65	0.67	4764	1987	28	0.95	0.73	4381	1827	30	1.00	0.83	3834	1599	32	1.15	0.95	3357	1400	33	1.35	1.1	2940	1226	34	1.50	1.4	2251	939	35	2.00	1.6	1971	822	35	2.25	0.93	3438	1434	4.2	0.90	1.1	2894	1207	22	1.10	1.2	2599	1084	23	1.20	0.95	3347	1396	15	0.95	1.1	2944	1228	22	1.05	1.2	2563	1069	23	1.20	1.4	2249	938	25	1.40	1.6	1976	824	26	1.60	1.8	1767	737	26	1.75	2.1	1515	632	26	2.00	3.1	1033	431	27	3.00	3.5	909	379	27	3.45	4.0	806	336	27	3.90	1.7	1933	806	14	0.85	1.8	1817	758	15	0.90	2.0	1563	652	17	1.05	1.7	1870	780	15	0.85	1.9	1650	688	16	1.00	2.2	1441	601	17	1.10	2.5	1264	527	18	1.30	2.9	1098	458	19	1.45	4.9	645	269	19	2.50	5.6	568	237	19	2.85	2.5	1295	540	18	1.25	2.8	1137	474	19	1.45	3.3	964	402	19	1.70	3.7	870	363	19	1.85																																																																																																																																																																																						
219	11	6.07	4.1	3.90	GRX69 GRXF69	4P	0.33	9634	4018	46	0.85			257	9.1	5.18	3.9	7.90			294	7.9	4.53	3.7	9.90			309	7.5	4.30	3.7	10.00	353	6.6	3.77	3.5	13.00			416	5.6	3.20			3.3	17.00	460	5.1	2.89			3.2	20.00	524	4.4	2.54			3.1	25.00	554	4.2	2.40	3.0	28.00	652	3.6	2.04			2.9	35.00	155			15	5.50	3.6	2.60	GRX59 GRXF59	6P	0.38	8426	3514	51	1.00			168	14	5.07	3.6	2.60			195	12	4.35	3.4	5.80			224	10	3.79	3.2	6.70	242	9.6	5.50	3.2	3.90	GRX59 GRXF59	4P	0.40	7917	3302	68	1.75			262	8.9	5.07	3.1	3.90			306	7.6	4.35	3.0	8.50			351	6.6	3.79	2.9	9.90	375	6.2	3.55	2.8	11.00			424	5.5	3.14			2.7	11.00	457	5.1	2.91			2.6	13.00	504	4.6	2.64			2.5	14.00	561	4.1	2.37	2.5	16.00	652	3.6	2.04			2.3	19.00	693			3.4	1.92	2.3	20.00	806	2.9	1.65	2.2	23.00	0.64	4956	2067	26	0.90	0.79	4059	1693	30	1.10	0.86	3716	1550	32	1.20	0.95	3374	1407	33	1.35	1.1	2940	1226	34	1.50	1.4	2280	951	58	3.65	0.67	4764	1987	28	0.95	0.73	4381	1827	30	1.00	0.83	3834	1599	32	1.15	0.95	3357	1400	33	1.35	1.1	2940	1226	34	1.50	1.4	2251	939	35	2.00	1.6	1971	822	35	2.25	0.93	3438	1434	4.2	0.90	1.1	2894	1207	22	1.10	1.2	2599	1084	23	1.20	0.95	3347	1396	15	0.95	1.1	2944	1228	22	1.05	1.2	2563	1069	23	1.20	1.4	2249	938	25	1.40	1.6	1976	824	26	1.60	1.8	1767	737	26	1.75	2.1	1515	632	26	2.00	3.1	1033	431	27	3.00	3.5	909	379	27	3.45	4.0	806	336	27	3.90	1.7	1933	806	14	0.85	1.8	1817	758	15	0.90	2.0	1563	652	17	1.05	1.7	1870	780	15	0.85	1.9	1650	688	16	1.00	2.2	1441	601	17	1.10	2.5	1264	527	18	1.30	2.9	1098	458	19	1.45	4.9	645	269	19	2.50	5.6	568	237	19	2.85	2.5	1295	540	18	1.25	2.8	1137	474	19	1.45	3.3	964	402	19	1.70	3.7	870	363	19	1.85																																																																																																																																																																																													
257	9.1	5.18	3.9	7.90			294	7.9	4.53	3.7	9.90			309	7.5	4.30	3.7	10.00			353	6.6	3.77	3.5	13.00			416	5.6	3.20	3.3	17.00	460	5.1	2.89	3.2	20.00			524	4.4	2.54			3.1	25.00	554	4.2	2.40			3.0	28.00	652	3.6	2.04			2.9	35.00	155	15	5.50	3.6	2.60	GRX59 GRXF59	6P	0.38			8426	3514	51	1.00	168	14	5.07	3.6	2.60			195	12	4.35	3.4	5.80			224	10	3.79	3.2	6.70			242	9.6	5.50	3.2	3.90	GRX59 GRXF59	4P	0.40	7917	3302	68	1.75	262	8.9	5.07	3.1	3.90			306	7.6	4.35	3.0	8.50			351	6.6	3.79	2.9	9.90			375	6.2	3.55	2.8	11.00			424	5.5	3.14	2.7	11.00	457	5.1	2.91	2.6	13.00			504	4.6	2.64			2.5	14.00	561	4.1	2.37			2.5	16.00	652	3.6	2.04			2.3	19.00	693	3.4	1.92	2.3	20.00	806	2.9	1.65			2.2	23.00	0.64	4956	2067	26	0.90	0.79	4059	1693	30	1.10	0.86	3716	1550	32	1.20	0.95	3374	1407	33	1.35	1.1	2940	1226	34	1.50	1.4	2280	951	58	3.65	0.67	4764	1987	28	0.95	0.73	4381	1827	30	1.00	0.83	3834	1599	32	1.15	0.95	3357	1400	33	1.35	1.1	2940	1226	34	1.50	1.4	2251	939	35	2.00	1.6	1971	822	35	2.25	0.93	3438	1434	4.2	0.90	1.1	2894	1207	22	1.10	1.2	2599	1084	23	1.20	0.95	3347	1396	15	0.95	1.1	2944	1228	22	1.05	1.2	2563	1069	23	1.20	1.4	2249	938	25	1.40	1.6	1976	824	26	1.60	1.8	1767	737	26	1.75	2.1	1515	632	26	2.00	3.1	1033	431	27	3.00	3.5	909	379	27	3.45	4.0	806	336	27	3.90	1.7	1933	806	14	0.85	1.8	1817	758	15	0.90	2.0	1563	652	17	1.05	1.7	1870	780	15	0.85	1.9	1650	688	16	1.00	2.2	1441	601	17	1.10	2.5	1264	527	18	1.30	2.9	1098	458	19	1.45	4.9	645	269	19	2.50	5.6	568	237	19	2.85	2.5	1295	540	18	1.25	2.8	1137	474	19	1.45	3.3	964	402	19	1.70	3.7	870	363	19	1.85																																																																																																																																																																																																									
294	7.9	4.53	3.7	9.90			309	7.5	4.30	3.7	10.00			353	6.6	3.77	3.5	13.00			416	5.6	3.20	3.3	17.00			460	5.1	2.89	3.2	20.00	524	4.4	2.54	3.1	25.00			554	4.2	2.40			3.0	28.00	652	3.6	2.04			2.9	35.00	155	15	5.50			3.6	2.60	GRX59 GRXF59	6P	0.38	8426	3514			51	1.00	168	14	5.07	3.6	2.60	195	12	4.35	3.4	5.80			224	10	3.79	3.2	6.70			242	9.6	5.50	3.2	3.90	GRX59 GRXF59	4P	0.40	7917	3302	68	1.75			262	8.9	5.07	3.1	3.90	306	7.6	4.35	3.0	8.50			351	6.6	3.79	2.9	9.90			375	6.2	3.55	2.8	11.00			424	5.5	3.14	2.7	11.00			457	5.1	2.91	2.6	13.00	504	4.6	2.64	2.5	14.00			561	4.1	2.37			2.5	16.00	652	3.6	2.04			2.3	19.00	693	3.4	1.92			2.3	20.00	806	2.9	1.65	2.2	23.00	0.64	4956	2067	26	0.90	0.79	4059	1693	30	1.10	0.86	3716	1550	32	1.20	0.95	3374	1407	33	1.35	1.1	2940	1226	34	1.50	1.4	2280	951	58	3.65	0.67	4764	1987	28	0.95	0.73	4381	1827	30	1.00	0.83	3834	1599	32	1.15	0.95	3357	1400	33	1.35	1.1	2940	1226	34	1.50	1.4	2251	939	35	2.00	1.6	1971	822	35	2.25	0.93	3438	1434	4.2	0.90	1.1	2894	1207	22	1.10	1.2	2599	1084	23	1.20	0.95	3347	1396	15	0.95	1.1	2944	1228	22	1.05	1.2	2563	1069	23	1.20	1.4	2249	938	25	1.40	1.6	1976	824	26	1.60	1.8	1767	737	26	1.75	2.1	1515	632	26	2.00	3.1	1033	431	27	3.00	3.5	909	379	27	3.45	4.0	806	336	27	3.90	1.7	1933	806	14	0.85	1.8	1817	758	15	0.90	2.0	1563	652	17	1.05	1.7	1870	780	15	0.85	1.9	1650	688	16	1.00	2.2	1441	601	17	1.10	2.5	1264	527	18	1.30	2.9	1098	458	19	1.45	4.9	645	269	19	2.50	5.6	568	237	19	2.85	2.5	1295	540	18	1.25	2.8	1137	474	19	1.45	3.3	964	402	19	1.70	3.7	870	363	19	1.85																																																																																																																																																																																																																
309	7.5	4.30	3.7	10.00			353	6.6	3.77	3.5	13.00			416	5.6	3.20	3.3	17.00			460	5.1	2.89	3.2	20.00			524	4.4	2.54	3.1	25.00	554	4.2	2.40	3.0	28.00			652	3.6	2.04			2.9	35.00	155	15	5.50			3.6	2.60	GRX59 GRXF59	6P	0.38	8426	3514	51	1.00			168	14	5.07			3.6	2.60	195	12	4.35	3.4	5.80	224	10	3.79	3.2	6.70			242	9.6	5.50	3.2	3.90	GRX59 GRXF59	4P	0.40	7917	3302	68	1.75			262	8.9	5.07	3.1	3.90			306	7.6	4.35	3.0	8.50	351	6.6	3.79	2.9	9.90			375	6.2	3.55	2.8	11.00			424	5.5	3.14	2.7	11.00			457	5.1	2.91	2.6	13.00			504	4.6	2.64	2.5	14.00	561	4.1	2.37	2.5	16.00			652	3.6	2.04			2.3	19.00	693	3.4	1.92			2.3	20.00	806	2.9	1.65	2.2	23.00	0.64	4956	2067	26	0.90	0.79	4059	1693	30	1.10	0.86	3716	1550	32	1.20	0.95	3374	1407	33	1.35	1.1	2940	1226	34	1.50	1.4	2280	951	58	3.65	0.67	4764	1987	28	0.95	0.73	4381	1827	30	1.00	0.83	3834	1599	32	1.15	0.95	3357	1400	33	1.35	1.1	2940	1226	34	1.50	1.4	2251	939	35	2.00	1.6	1971	822	35	2.25	0.93	3438	1434	4.2	0.90	1.1	2894	1207	22	1.10	1.2	2599	1084	23	1.20	0.95	3347	1396	15	0.95	1.1	2944	1228	22	1.05	1.2	2563	1069	23	1.20	1.4	2249	938	25	1.40	1.6	1976	824	26	1.60	1.8	1767	737	26	1.75	2.1	1515	632	26	2.00	3.1	1033	431	27	3.00	3.5	909	379	27	3.45	4.0	806	336	27	3.90	1.7	1933	806	14	0.85	1.8	1817	758	15	0.90	2.0	1563	652	17	1.05	1.7	1870	780	15	0.85	1.9	1650	688	16	1.00	2.2	1441	601	17	1.10	2.5	1264	527	18	1.30	2.9	1098	458	19	1.45	4.9	645	269	19	2.50	5.6	568	237	19	2.85	2.5	1295	540	18	1.25	2.8	1137	474	19	1.45	3.3	964	402	19	1.70	3.7	870	363	19	1.85																																																																																																																																																																																																																							
353	6.6	3.77	3.5	13.00			416	5.6	3.20	3.3	17.00			460	5.1	2.89	3.2	20.00			524	4.4	2.54	3.1	25.00			554	4.2	2.40	3.0	28.00	652	3.6	2.04	2.9	35.00			155	15	5.50			3.6	2.60	GRX59 GRXF59	6P	0.38	8426	3514	51	1.00			168	14	5.07	3.6	2.60			195	12	4.35			3.4	5.80	224	10	3.79	3.2	6.70	242	9.6	5.50	3.2	3.90	GRX59 GRXF59	4P	0.40	7917	3302	68	1.75			262	8.9	5.07	3.1	3.90			306	7.6	4.35	3.0	8.50			351	6.6	3.79	2.9	9.90	375	6.2	3.55	2.8	11.00			424	5.5	3.14	2.7	11.00			457	5.1	2.91	2.6	13.00			504	4.6	2.64	2.5	14.00			561	4.1	2.37	2.5	16.00	652	3.6	2.04	2.3	19.00			693	3.4	1.92			2.3	20.00	806	2.9	1.65	2.2	23.00	0.64	4956	2067	26	0.90	0.79	4059	1693	30	1.10	0.86	3716	1550	32	1.20	0.95	3374	1407	33	1.35	1.1	2940	1226	34	1.50	1.4	2280	951	58	3.65	0.67	4764	1987	28	0.95	0.73	4381	1827	30	1.00	0.83	3834	1599	32	1.15	0.95	3357	1400	33	1.35	1.1	2940	1226	34	1.50	1.4	2251	939	35	2.00	1.6	1971	822	35	2.25	0.93	3438	1434	4.2	0.90	1.1	2894	1207	22	1.10	1.2	2599	1084	23	1.20	0.95	3347	1396	15	0.95	1.1	2944	1228	22	1.05	1.2	2563	1069	23	1.20	1.4	2249	938	25	1.40	1.6	1976	824	26	1.60	1.8	1767	737	26	1.75	2.1	1515	632	26	2.00	3.1	1033	431	27	3.00	3.5	909	379	27	3.45	4.0	806	336	27	3.90	1.7	1933	806	14	0.85	1.8	1817	758	15	0.90	2.0	1563	652	17	1.05	1.7	1870	780	15	0.85	1.9	1650	688	16	1.00	2.2	1441	601	17	1.10	2.5	1264	527	18	1.30	2.9	1098	458	19	1.45	4.9	645	269	19	2.50	5.6	568	237	19	2.85	2.5	1295	540	18	1.25	2.8	1137	474	19	1.45	3.3	964	402	19	1.70	3.7	870	363	19	1.85																																																																																																																																																																																																																														
416	5.6	3.20	3.3	17.00			460	5.1	2.89	3.2	20.00			524	4.4	2.54	3.1	25.00			554	4.2	2.40	3.0	28.00			652	3.6	2.04	2.9	35.00	155	15	5.50	3.6	2.60			GRX59 GRXF59	6P	0.38	8426	3514	51	1.00			168	14	5.07	3.6	2.60			195	12	4.35	3.4	5.80			224	10	3.79	3.2	6.70	242	9.6	5.50	3.2	3.90	GRX59 GRXF59	4P	0.40	7917	3302	68	1.75			262	8.9	5.07	3.1	3.90			306	7.6	4.35	3.0	8.50			351	6.6	3.79	2.9	9.90			375	6.2	3.55	2.8	11.00	424	5.5	3.14	2.7	11.00			457	5.1	2.91	2.6	13.00			504	4.6	2.64	2.5	14.00			561	4.1	2.37	2.5	16.00			652	3.6	2.04	2.3	19.00	693	3.4	1.92	2.3	20.00			806	2.9	1.65	2.2	23.00	0.64	4956	2067	26	0.90	0.79	4059	1693	30	1.10	0.86	3716	1550	32	1.20	0.95	3374	1407	33	1.35	1.1	2940	1226	34	1.50	1.4	2280	951	58	3.65	0.67	4764	1987	28	0.95	0.73	4381	1827	30	1.00	0.83	3834	1599	32	1.15	0.95	3357	1400	33	1.35	1.1	2940	1226	34	1.50	1.4	2251	939	35	2.00	1.6	1971	822	35	2.25	0.93	3438	1434	4.2	0.90	1.1	2894	1207	22	1.10	1.2	2599	1084	23	1.20	0.95	3347	1396	15	0.95	1.1	2944	1228	22	1.05	1.2	2563	1069	23	1.20	1.4	2249	938	25	1.40	1.6	1976	824	26	1.60	1.8	1767	737	26	1.75	2.1	1515	632	26	2.00	3.1	1033	431	27	3.00	3.5	909	379	27	3.45	4.0	806	336	27	3.90	1.7	1933	806	14	0.85	1.8	1817	758	15	0.90	2.0	1563	652	17	1.05	1.7	1870	780	15	0.85	1.9	1650	688	16	1.00	2.2	1441	601	17	1.10	2.5	1264	527	18	1.30	2.9	1098	458	19	1.45	4.9	645	269	19	2.50	5.6	568	237	19	2.85	2.5	1295	540	18	1.25	2.8	1137	474	19	1.45	3.3	964	402	19	1.70	3.7	870	363	19	1.85																																																																																																																																																																																																																																					
460	5.1	2.89	3.2	20.00			524	4.4	2.54	3.1	25.00			554	4.2	2.40	3.0	28.00			652	3.6	2.04	2.9	35.00			155	15	5.50	3.6	2.60	GRX59 GRXF59	6P	0.38	8426	3514	51	1.00			168	14	5.07	3.6	2.60			195	12	4.35	3.4	5.80			224	10	3.79	3.2	6.70	242	9.6	5.50	3.2	3.90	GRX59 GRXF59	4P	0.40	7917	3302	68	1.75			262	8.9	5.07	3.1	3.90			306	7.6	4.35	3.0	8.50			351	6.6	3.79	2.9	9.90			375	6.2	3.55	2.8	11.00			424	5.5	3.14	2.7	11.00	457	5.1	2.91	2.6	13.00			504	4.6	2.64	2.5	14.00			561	4.1	2.37	2.5	16.00			652	3.6	2.04	2.3	19.00			693	3.4	1.92	2.3	20.00	806	2.9	1.65	2.2	23.00	0.64	4956	2067	26	0.90	0.79	4059	1693	30	1.10	0.86	3716	1550	32	1.20	0.95	3374	1407	33	1.35	1.1	2940	1226	34	1.50	1.4	2280	951	58	3.65	0.67	4764	1987	28	0.95	0.73	4381	1827	30	1.00	0.83	3834	1599	32	1.15	0.95	3357	1400	33	1.35	1.1	2940	1226	34	1.50	1.4	2251	939	35	2.00	1.6	1971	822	35	2.25	0.93	3438	1434	4.2	0.90	1.1	2894	1207	22	1.10	1.2	2599	1084	23	1.20	0.95	3347	1396	15	0.95	1.1	2944	1228	22	1.05	1.2	2563	1069	23	1.20	1.4	2249	938	25	1.40	1.6	1976	824	26	1.60	1.8	1767	737	26	1.75	2.1	1515	632	26	2.00	3.1	1033	431	27	3.00	3.5	909	379	27	3.45	4.0	806	336	27	3.90	1.7	1933	806	14	0.85	1.8	1817	758	15	0.90	2.0	1563	652	17	1.05	1.7	1870	780	15	0.85	1.9	1650	688	16	1.00	2.2	1441	601	17	1.10	2.5	1264	527	18	1.30	2.9	1098	458	19	1.45	4.9	645	269	19	2.50	5.6	568	237	19	2.85	2.5	1295	540	18	1.25	2.8	1137	474	19	1.45	3.3	964	402	19	1.70	3.7	870	363	19	1.85																																																																																																																																																																																																																																												
524	4.4	2.54	3.1	25.00			554	4.2	2.40	3.0	28.00			652	3.6	2.04	2.9	35.00			155	15	5.50	3.6	2.60	GRX59 GRXF59	6P	0.38	8426	3514	51	1.00			168	14	5.07	3.6	2.60			195	12	4.35	3.4	5.80			224	10	3.79	3.2	6.70	242	9.6	5.50	3.2	3.90	GRX59 GRXF59	4P	0.40	7917	3302	68	1.75			262	8.9	5.07	3.1	3.90			306	7.6	4.35	3.0	8.50			351	6.6	3.79	2.9	9.90			375	6.2	3.55	2.8	11.00			424	5.5	3.14	2.7	11.00			457	5.1	2.91	2.6	13.00	504	4.6	2.64	2.5	14.00			561	4.1	2.37	2.5	16.00			652	3.6	2.04	2.3	19.00			693	3.4	1.92	2.3	20.00	806	2.9	1.65	2.2	23.00	0.64	4956	2067	26	0.90	0.79	4059	1693	30	1.10	0.86	3716	1550	32	1.20	0.95	3374	1407	33	1.35	1.1	2940	1226	34	1.50	1.4	2280	951	58	3.65	0.67	4764	1987	28	0.95	0.73	4381	1827	30	1.00	0.83	3834	1599	32	1.15	0.95	3357	1400	33	1.35	1.1	2940	1226	34	1.50	1.4	2251	939	35	2.00	1.6	1971	822	35	2.25	0.93	3438	1434	4.2	0.90	1.1	2894	1207	22	1.10	1.2	2599	1084	23	1.20	0.95	3347	1396	15	0.95	1.1	2944	1228	22	1.05	1.2	2563	1069	23	1.20	1.4	2249	938	25	1.40	1.6	1976	824	26	1.60	1.8	1767	737	26	1.75	2.1	1515	632	26	2.00	3.1	1033	431	27	3.00	3.5	909	379	27	3.45	4.0	806	336	27	3.90	1.7	1933	806	14	0.85	1.8	1817	758	15	0.90	2.0	1563	652	17	1.05	1.7	1870	780	15	0.85	1.9	1650	688	16	1.00	2.2	1441	601	17	1.10	2.5	1264	527	18	1.30	2.9	1098	458	19	1.45	4.9	645	269	19	2.50	5.6	568	237	19	2.85	2.5	1295	540	18	1.25	2.8	1137	474	19	1.45	3.3	964	402	19	1.70	3.7	870	363	19	1.85																																																																																																																																																																																																																																																			
554	4.2	2.40	3.0	28.00			652	3.6	2.04	2.9	35.00			155	15	5.50	3.6	2.60	GRX59 GRXF59	6P	0.38	8426	3514	51	1.00			168	14	5.07	3.6	2.60			195	12	4.35	3.4	5.80			224	10	3.79	3.2	6.70	242	9.6	5.50	3.2	3.90	GRX59 GRXF59	4P	0.40	7917	3302	68	1.75			262	8.9	5.07	3.1	3.90			306	7.6	4.35	3.0	8.50			351	6.6	3.79	2.9	9.90			375	6.2	3.55	2.8	11.00			424	5.5	3.14	2.7	11.00			457	5.1	2.91	2.6	13.00			504	4.6	2.64	2.5	14.00	561	4.1	2.37	2.5	16.00			652	3.6	2.04	2.3	19.00			693	3.4	1.92	2.3	20.00	806	2.9	1.65	2.2	23.00	0.64	4956	2067	26	0.90	0.79	4059	1693	30	1.10	0.86	3716	1550	32	1.20	0.95	3374	1407	33	1.35	1.1	2940	1226	34	1.50	1.4	2280	951	58	3.65	0.67	4764	1987	28	0.95	0.73	4381	1827	30	1.00	0.83	3834	1599	32	1.15	0.95	3357	1400	33	1.35	1.1	2940	1226	34	1.50	1.4	2251	939	35	2.00	1.6	1971	822	35	2.25	0.93	3438	1434	4.2	0.90	1.1	2894	1207	22	1.10	1.2	2599	1084	23	1.20	0.95	3347	1396	15	0.95	1.1	2944	1228	22	1.05	1.2	2563	1069	23	1.20	1.4	2249	938	25	1.40	1.6	1976	824	26	1.60	1.8	1767	737	26	1.75	2.1	1515	632	26	2.00	3.1	1033	431	27	3.00	3.5	909	379	27	3.45	4.0	806	336	27	3.90	1.7	1933	806	14	0.85	1.8	1817	758	15	0.90	2.0	1563	652	17	1.05	1.7	1870	780	15	0.85	1.9	1650	688	16	1.00	2.2	1441	601	17	1.10	2.5	1264	527	18	1.30	2.9	1098	458	19	1.45	4.9	645	269	19	2.50	5.6	568	237	19	2.85	2.5	1295	540	18	1.25	2.8	1137	474	19	1.45	3.3	964	402	19	1.70	3.7	870	363	19	1.85																																																																																																																																																																																																																																																										
652	3.6	2.04	2.9	35.00			155	15	5.50	3.6	2.60	GRX59 GRXF59	6P	0.38	8426	3514	51	1.00			168	14	5.07	3.6	2.60			195	12	4.35	3.4	5.80			224	10	3.79	3.2	6.70	242	9.6	5.50	3.2	3.90	GRX59 GRXF59	4P	0.40	7917	3302	68	1.75			262	8.9	5.07	3.1	3.90			306	7.6	4.35	3.0	8.50			351	6.6	3.79	2.9	9.90			375	6.2	3.55	2.8	11.00			424	5.5	3.14	2.7	11.00			457	5.1	2.91	2.6	13.00			504	4.6	2.64	2.5	14.00			561	4.1	2.37	2.5	16.00	652	3.6	2.04	2.3	19.00			693	3.4	1.92	2.3	20.00	806	2.9	1.65	2.2	23.00	0.64	4956	2067	26	0.90	0.79	4059	1693	30	1.10	0.86	3716	1550	32	1.20	0.95	3374	1407	33	1.35	1.1	2940	1226	34	1.50	1.4	2280	951	58	3.65	0.67	4764	1987	28	0.95	0.73	4381	1827	30	1.00	0.83	3834	1599	32	1.15	0.95	3357	1400	33	1.35	1.1	2940	1226	34	1.50	1.4	2251	939	35	2.00	1.6	1971	822	35	2.25	0.93	3438	1434	4.2	0.90	1.1	2894	1207	22	1.10	1.2	2599	1084	23	1.20	0.95	3347	1396	15	0.95	1.1	2944	1228	22	1.05	1.2	2563	1069	23	1.20	1.4	2249	938	25	1.40	1.6	1976	824	26	1.60	1.8	1767	737	26	1.75	2.1	1515	632	26	2.00	3.1	1033	431	27	3.00	3.5	909	379	27	3.45	4.0	806	336	27	3.90	1.7	1933	806	14	0.85	1.8	1817	758	15	0.90	2.0	1563	652	17	1.05	1.7	1870	780	15	0.85	1.9	1650	688	16	1.00	2.2	1441	601	17	1.10	2.5	1264	527	18	1.30	2.9	1098	458	19	1.45	4.9	645	269	19	2.50	5.6	568	237	19	2.85	2.5	1295	540	18	1.25	2.8	1137	474	19	1.45	3.3	964	402	19	1.70	3.7	870	363	19	1.85																																																																																																																																																																																																																																																																	
155	15	5.50	3.6	2.60	GRX59 GRXF59	6P	0.38	8426	3514	51	1.00			168	14	5.07	3.6	2.60			195	12	4.35	3.4	5.80			224	10	3.79	3.2	6.70	242	9.6	5.50	3.2	3.90	GRX59 GRXF59	4P	0.40	7917	3302	68	1.75			262	8.9	5.07	3.1	3.90			306	7.6	4.35	3.0	8.50			351	6.6	3.79	2.9	9.90			375	6.2	3.55	2.8	11.00			424	5.5	3.14	2.7	11.00			457	5.1	2.91	2.6	13.00			504	4.6	2.64	2.5	14.00			561	4.1	2.37	2.5	16.00			652	3.6	2.04	2.3	19.00	693	3.4	1.92	2.3	20.00	806	2.9	1.65	2.2	23.00	0.64	4956	2067	26	0.90	0.79	4059	1693	30	1.10	0.86	3716	1550	32	1.20	0.95	3374	1407	33	1.35	1.1	2940	1226	34	1.50	1.4	2280	951	58	3.65	0.67	4764	1987	28	0.95	0.73	4381	1827	30	1.00	0.83	3834	1599	32	1.15	0.95	3357	1400	33	1.35	1.1	2940	1226	34	1.50	1.4	2251	939	35	2.00	1.6	1971	822	35	2.25	0.93	3438	1434	4.2	0.90	1.1	2894	1207	22	1.10	1.2	2599	1084	23	1.20	0.95	3347	1396	15	0.95	1.1	2944	1228	22	1.05	1.2	2563	1069	23	1.20	1.4	2249	938	25	1.40	1.6	1976	824	26	1.60	1.8	1767	737	26	1.75	2.1	1515	632	26	2.00	3.1	1033	431	27	3.00	3.5	909	379	27	3.45	4.0	806	336	27	3.90	1.7	1933	806	14	0.85	1.8	1817	758	15	0.90	2.0	1563	652	17	1.05	1.7	1870	780	15	0.85	1.9	1650	688	16	1.00	2.2	1441	601	17	1.10	2.5	1264	527	18	1.30	2.9	1098	458	19	1.45	4.9	645	269	19	2.50	5.6	568	237	19	2.85	2.5	1295	540	18	1.25	2.8	1137	474	19	1.45	3.3	964	402	19	1.70	3.7	870	363	19	1.85																																																																																																																																																																																																																																																																								
168	14	5.07	3.6	2.60			195	12	4.35	3.4	5.80			224	10	3.79	3.2	6.70			242	9.6	5.50	3.2	3.90	GRX59 GRXF59	4P	0.40	7917	3302	68	1.75	262	8.9	5.07	3.1	3.90			306	7.6	4.35	3.0	8.50			351	6.6	3.79	2.9	9.90			375	6.2	3.55	2.8	11.00			424	5.5	3.14	2.7	11.00			457	5.1	2.91	2.6	13.00			504	4.6	2.64	2.5	14.00			561	4.1	2.37	2.5	16.00			652	3.6	2.04	2.3	19.00			693	3.4	1.92	2.3	20.00	806	2.9	1.65	2.2	23.00	0.64	4956	2067	26	0.90	0.79	4059	1693	30	1.10	0.86	3716	1550	32	1.20	0.95	3374	1407	33	1.35	1.1	2940	1226	34	1.50	1.4	2280	951	58	3.65	0.67	4764	1987	28	0.95	0.73	4381	1827	30	1.00	0.83	3834	1599	32	1.15	0.95	3357	1400	33	1.35	1.1	2940	1226	34	1.50	1.4	2251	939	35	2.00	1.6	1971	822	35	2.25	0.93	3438	1434	4.2	0.90	1.1	2894	1207	22	1.10	1.2	2599	1084	23	1.20	0.95	3347	1396	15	0.95	1.1	2944	1228	22	1.05	1.2	2563	1069	23	1.20	1.4	2249	938	25	1.40	1.6	1976	824	26	1.60	1.8	1767	737	26	1.75	2.1	1515	632	26	2.00	3.1	1033	431	27	3.00	3.5	909	379	27	3.45	4.0	806	336	27	3.90	1.7	1933	806	14	0.85	1.8	1817	758	15	0.90	2.0	1563	652	17	1.05	1.7	1870	780	15	0.85	1.9	1650	688	16	1.00	2.2	1441	601	17	1.10	2.5	1264	527	18	1.30	2.9	1098	458	19	1.45	4.9	645	269	19	2.50	5.6	568	237	19	2.85	2.5	1295	540	18	1.25	2.8	1137	474	19	1.45	3.3	964	402	19	1.70	3.7	870	363	19	1.85																																																																																																																																																																																																																																																																																				
195	12	4.35	3.4	5.80			224	10	3.79	3.2	6.70			242	9.6	5.50	3.2	3.90	GRX59 GRXF59	4P	0.40	7917	3302	68	1.75			262	8.9	5.07	3.1	3.90	306	7.6	4.35	3.0	8.50			351	6.6	3.79	2.9	9.90			375	6.2	3.55	2.8	11.00			424	5.5	3.14	2.7	11.00			457	5.1	2.91	2.6	13.00			504	4.6	2.64	2.5	14.00			561	4.1	2.37	2.5	16.00			652	3.6	2.04	2.3	19.00			693	3.4	1.92	2.3	20.00	806	2.9	1.65	2.2	23.00	0.64	4956	2067	26	0.90	0.79	4059	1693	30	1.10	0.86	3716	1550	32	1.20	0.95	3374	1407	33	1.35	1.1	2940	1226	34	1.50	1.4	2280	951	58	3.65	0.67	4764	1987	28	0.95	0.73	4381	1827	30	1.00	0.83	3834	1599	32	1.15	0.95	3357	1400	33	1.35	1.1	2940	1226	34	1.50	1.4	2251	939	35	2.00	1.6	1971	822	35	2.25	0.93	3438	1434	4.2	0.90	1.1	2894	1207	22	1.10	1.2	2599	1084	23	1.20	0.95	3347	1396	15	0.95	1.1	2944	1228	22	1.05	1.2	2563	1069	23	1.20	1.4	2249	938	25	1.40	1.6	1976	824	26	1.60	1.8	1767	737	26	1.75	2.1	1515	632	26	2.00	3.1	1033	431	27	3.00	3.5	909	379	27	3.45	4.0	806	336	27	3.90	1.7	1933	806	14	0.85	1.8	1817	758	15	0.90	2.0	1563	652	17	1.05	1.7	1870	780	15	0.85	1.9	1650	688	16	1.00	2.2	1441	601	17	1.10	2.5	1264	527	18	1.30	2.9	1098	458	19	1.45	4.9	645	269	19	2.50	5.6	568	237	19	2.85	2.5	1295	540	18	1.25	2.8	1137	474	19	1.45	3.3	964	402	19	1.70	3.7	870	363	19	1.85																																																																																																																																																																																																																																																																																											
224	10	3.79	3.2	6.70			242	9.6	5.50	3.2	3.90	GRX59 GRXF59	4P	0.40	7917	3302	68	1.75			262	8.9	5.07	3.1	3.90			306	7.6	4.35	3.0	8.50	351	6.6	3.79	2.9	9.90			375	6.2	3.55	2.8	11.00			424	5.5	3.14	2.7	11.00			457	5.1	2.91	2.6	13.00			504	4.6	2.64	2.5	14.00			561	4.1	2.37	2.5	16.00			652	3.6	2.04	2.3	19.00			693	3.4	1.92	2.3	20.00	806	2.9	1.65	2.2	23.00	0.64	4956	2067	26	0.90	0.79	4059	1693	30	1.10	0.86	3716	1550	32	1.20	0.95	3374	1407	33	1.35	1.1	2940	1226	34	1.50	1.4	2280	951	58	3.65	0.67	4764	1987	28	0.95	0.73	4381	1827	30	1.00	0.83	3834	1599	32	1.15	0.95	3357	1400	33	1.35	1.1	2940	1226	34	1.50	1.4	2251	939	35	2.00	1.6	1971	822	35	2.25	0.93	3438	1434	4.2	0.90	1.1	2894	1207	22	1.10	1.2	2599	1084	23	1.20	0.95	3347	1396	15	0.95	1.1	2944	1228	22	1.05	1.2	2563	1069	23	1.20	1.4	2249	938	25	1.40	1.6	1976	824	26	1.60	1.8	1767	737	26	1.75	2.1	1515	632	26	2.00	3.1	1033	431	27	3.00	3.5	909	379	27	3.45	4.0	806	336	27	3.90	1.7	1933	806	14	0.85	1.8	1817	758	15	0.90	2.0	1563	652	17	1.05	1.7	1870	780	15	0.85	1.9	1650	688	16	1.00	2.2	1441	601	17	1.10	2.5	1264	527	18	1.30	2.9	1098	458	19	1.45	4.9	645	269	19	2.50	5.6	568	237	19	2.85	2.5	1295	540	18	1.25	2.8	1137	474	19	1.45	3.3	964	402	19	1.70	3.7	870	363	19	1.85																																																																																																																																																																																																																																																																																																		
242	9.6	5.50	3.2	3.90	GRX59 GRXF59	4P	0.40	7917	3302	68	1.75			262	8.9	5.07	3.1	3.90			306	7.6	4.35	3.0	8.50			351	6.6	3.79	2.9	9.90	375	6.2	3.55	2.8	11.00			424	5.5	3.14	2.7	11.00			457	5.1	2.91	2.6	13.00			504	4.6	2.64	2.5	14.00			561	4.1	2.37	2.5	16.00			652	3.6	2.04	2.3	19.00			693	3.4	1.92	2.3	20.00	806	2.9	1.65	2.2	23.00	0.64	4956	2067	26	0.90	0.79	4059	1693	30	1.10	0.86	3716	1550	32	1.20	0.95	3374	1407	33	1.35	1.1	2940	1226	34	1.50	1.4	2280	951	58	3.65	0.67	4764	1987	28	0.95	0.73	4381	1827	30	1.00	0.83	3834	1599	32	1.15	0.95	3357	1400	33	1.35	1.1	2940	1226	34	1.50	1.4	2251	939	35	2.00	1.6	1971	822	35	2.25	0.93	3438	1434	4.2	0.90	1.1	2894	1207	22	1.10	1.2	2599	1084	23	1.20	0.95	3347	1396	15	0.95	1.1	2944	1228	22	1.05	1.2	2563	1069	23	1.20	1.4	2249	938	25	1.40	1.6	1976	824	26	1.60	1.8	1767	737	26	1.75	2.1	1515	632	26	2.00	3.1	1033	431	27	3.00	3.5	909	379	27	3.45	4.0	806	336	27	3.90	1.7	1933	806	14	0.85	1.8	1817	758	15	0.90	2.0	1563	652	17	1.05	1.7	1870	780	15	0.85	1.9	1650	688	16	1.00	2.2	1441	601	17	1.10	2.5	1264	527	18	1.30	2.9	1098	458	19	1.45	4.9	645	269	19	2.50	5.6	568	237	19	2.85	2.5	1295	540	18	1.25	2.8	1137	474	19	1.45	3.3	964	402	19	1.70	3.7	870	363	19	1.85																																																																																																																																																																																																																																																																																																									
262	8.9	5.07	3.1	3.90			306	7.6	4.35	3.0	8.50			351	6.6	3.79	2.9	9.90			375	6.2	3.55	2.8	11.00			424	5.5	3.14	2.7	11.00	457	5.1	2.91	2.6	13.00			504	4.6	2.64	2.5	14.00			561	4.1	2.37	2.5	16.00			652	3.6	2.04	2.3	19.00			693	3.4	1.92	2.3	20.00			806	2.9	1.65	2.2	23.00	0.64	4956	2067	26	0.90	0.79	4059	1693	30	1.10	0.86	3716	1550	32	1.20	0.95	3374	1407	33	1.35	1.1	2940	1226	34	1.50	1.4	2280	951	58	3.65	0.67	4764	1987	28	0.95	0.73	4381	1827	30	1.00	0.83	3834	1599	32	1.15	0.95	3357	1400	33	1.35	1.1	2940	1226	34	1.50	1.4	2251	939	35	2.00	1.6	1971	822	35	2.25	0.93	3438	1434	4.2	0.90	1.1	2894	1207	22	1.10	1.2	2599	1084	23	1.20	0.95	3347	1396	15	0.95	1.1	2944	1228	22	1.05	1.2	2563	1069	23	1.20	1.4	2249	938	25	1.40	1.6	1976	824	26	1.60	1.8	1767	737	26	1.75	2.1	1515	632	26	2.00	3.1	1033	431	27	3.00	3.5	909	379	27	3.45	4.0	806	336	27	3.90	1.7	1933	806	14	0.85	1.8	1817	758	15	0.90	2.0	1563	652	17	1.05	1.7	1870	780	15	0.85	1.9	1650	688	16	1.00	2.2	1441	601	17	1.10	2.5	1264	527	18	1.30	2.9	1098	458	19	1.45	4.9	645	269	19	2.50	5.6	568	237	19	2.85	2.5	1295	540	18	1.25	2.8	1137	474	19	1.45	3.3	964	402	19	1.70	3.7	870	363	19	1.85																																																																																																																																																																																																																																																																																																																					
306	7.6	4.35	3.0	8.50			351	6.6	3.79	2.9	9.90			375	6.2	3.55	2.8	11.00			424	5.5	3.14	2.7	11.00			457	5.1	2.91	2.6	13.00	504	4.6	2.64	2.5	14.00			561	4.1	2.37	2.5	16.00			652	3.6	2.04	2.3	19.00			693	3.4	1.92	2.3	20.00			806	2.9	1.65	2.2	23.00	0.64	4956	2067	26	0.90	0.79	4059	1693	30	1.10	0.86	3716	1550	32	1.20	0.95	3374	1407	33	1.35	1.1	2940	1226	34	1.50	1.4	2280	951	58	3.65	0.67	4764	1987	28	0.95	0.73	4381	1827	30	1.00	0.83	3834	1599	32	1.15	0.95	3357	1400	33	1.35	1.1	2940	1226	34	1.50	1.4	2251	939	35	2.00	1.6	1971	822	35	2.25	0.93	3438	1434	4.2	0.90	1.1	2894	1207	22	1.10	1.2	2599	1084	23	1.20	0.95	3347	1396	15	0.95	1.1	2944	1228	22	1.05	1.2	2563	1069	23	1.20	1.4	2249	938	25	1.40	1.6	1976	824	26	1.60	1.8	1767	737	26	1.75	2.1	1515	632	26	2.00	3.1	1033	431	27	3.00	3.5	909	379	27	3.45	4.0	806	336	27	3.90	1.7	1933	806	14	0.85	1.8	1817	758	15	0.90	2.0	1563	652	17	1.05	1.7	1870	780	15	0.85	1.9	1650	688	16	1.00	2.2	1441	601	17	1.10	2.5	1264	527	18	1.30	2.9	1098	458	19	1.45	4.9	645	269	19	2.50	5.6	568	237	19	2.85	2.5	1295	540	18	1.25	2.8	1137	474	19	1.45	3.3	964	402	19	1.70	3.7	870	363	19	1.85																																																																																																																																																																																																																																																																																																																												
351	6.6	3.79	2.9	9.90			375	6.2	3.55	2.8	11.00			424	5.5	3.14	2.7	11.00			457	5.1	2.91	2.6	13.00			504	4.6	2.64	2.5	14.00	561	4.1	2.37	2.5	16.00			652	3.6	2.04	2.3	19.00			693	3.4	1.92	2.3	20.00			806	2.9	1.65	2.2	23.00	0.64	4956	2067	26	0.90	0.79	4059	1693	30	1.10	0.86	3716	1550	32	1.20	0.95	3374	1407	33	1.35	1.1	2940	1226	34	1.50	1.4	2280	951	58	3.65	0.67	4764	1987	28	0.95	0.73	4381	1827	30	1.00	0.83	3834	1599	32	1.15	0.95	3357	1400	33	1.35	1.1	2940	1226	34	1.50	1.4	2251	939	35	2.00	1.6	1971	822	35	2.25	0.93	3438	1434	4.2	0.90	1.1	2894	1207	22	1.10	1.2	2599	1084	23	1.20	0.95	3347	1396	15	0.95	1.1	2944	1228	22	1.05	1.2	2563	1069	23	1.20	1.4	2249	938	25	1.40	1.6	1976	824	26	1.60	1.8	1767	737	26	1.75	2.1	1515	632	26	2.00	3.1	1033	431	27	3.00	3.5	909	379	27	3.45	4.0	806	336	27	3.90	1.7	1933	806	14	0.85	1.8	1817	758	15	0.90	2.0	1563	652	17	1.05	1.7	1870	780	15	0.85	1.9	1650	688	16	1.00	2.2	1441	601	17	1.10	2.5	1264	527	18	1.30	2.9	1098	458	19	1.45	4.9	645	269	19	2.50	5.6	568	237	19	2.85	2.5	1295	540	18	1.25	2.8	1137	474	19	1.45	3.3	964	402	19	1.70	3.7	870	363	19	1.85																																																																																																																																																																																																																																																																																																																																			
375	6.2	3.55	2.8	11.00			424	5.5	3.14	2.7	11.00			457	5.1	2.91	2.6	13.00			504	4.6	2.64	2.5	14.00			561	4.1	2.37	2.5	16.00	652	3.6	2.04	2.3	19.00			693	3.4	1.92	2.3	20.00			806	2.9	1.65	2.2	23.00	0.64	4956	2067	26	0.90	0.79	4059	1693	30	1.10	0.86	3716	1550	32	1.20	0.95	3374	1407	33	1.35	1.1	2940	1226	34	1.50	1.4	2280	951	58	3.65	0.67	4764	1987	28	0.95	0.73	4381	1827	30	1.00	0.83	3834	1599	32	1.15	0.95	3357	1400	33	1.35	1.1	2940	1226	34	1.50	1.4	2251	939	35	2.00	1.6	1971	822	35	2.25	0.93	3438	1434	4.2	0.90	1.1	2894	1207	22	1.10	1.2	2599	1084	23	1.20	0.95	3347	1396	15	0.95	1.1	2944	1228	22	1.05	1.2	2563	1069	23	1.20	1.4	2249	938	25	1.40	1.6	1976	824	26	1.60	1.8	1767	737	26	1.75	2.1	1515	632	26	2.00	3.1	1033	431	27	3.00	3.5	909	379	27	3.45	4.0	806	336	27	3.90	1.7	1933	806	14	0.85	1.8	1817	758	15	0.90	2.0	1563	652	17	1.05	1.7	1870	780	15	0.85	1.9	1650	688	16	1.00	2.2	1441	601	17	1.10	2.5	1264	527	18	1.30	2.9	1098	458	19	1.45	4.9	645	269	19	2.50	5.6	568	237	19	2.85	2.5	1295	540	18	1.25	2.8	1137	474	19	1.45	3.3	964	402	19	1.70	3.7	870	363	19	1.85																																																																																																																																																																																																																																																																																																																																										
424	5.5	3.14	2.7	11.00			457	5.1	2.91	2.6	13.00			504	4.6	2.64	2.5	14.00			561	4.1	2.37	2.5	16.00			652	3.6	2.04	2.3	19.00	693	3.4	1.92	2.3	20.00			806	2.9	1.65	2.2	23.00	0.64	4956	2067	26	0.90	0.79	4059	1693	30	1.10	0.86	3716	1550	32	1.20	0.95	3374	1407	33	1.35	1.1	2940	1226	34	1.50	1.4	2280	951	58	3.65	0.67	4764	1987	28	0.95	0.73	4381	1827	30	1.00	0.83	3834	1599	32	1.15	0.95	3357	1400	33	1.35	1.1	2940	1226	34	1.50	1.4	2251	939	35	2.00	1.6	1971	822	35	2.25	0.93	3438	1434	4.2	0.90	1.1	2894	1207	22	1.10	1.2	2599	1084	23	1.20	0.95	3347	1396	15	0.95	1.1	2944	1228	22	1.05	1.2	2563	1069	23	1.20	1.4	2249	938	25	1.40	1.6	1976	824	26	1.60	1.8	1767	737	26	1.75	2.1	1515	632	26	2.00	3.1	1033	431	27	3.00	3.5	909	379	27	3.45	4.0	806	336	27	3.90	1.7	1933	806	14	0.85	1.8	1817	758	15	0.90	2.0	1563	652	17	1.05	1.7	1870	780	15	0.85	1.9	1650	688	16	1.00	2.2	1441	601	17	1.10	2.5	1264	527	18	1.30	2.9	1098	458	19	1.45	4.9	645	269	19	2.50	5.6	568	237	19	2.85	2.5	1295	540	18	1.25	2.8	1137	474	19	1.45	3.3	964	402	19	1.70	3.7	870	363	19	1.85																																																																																																																																																																																																																																																																																																																																																	
457	5.1	2.91	2.6	13.00			504	4.6	2.64	2.5	14.00			561	4.1	2.37	2.5	16.00			652	3.6	2.04	2.3	19.00			693	3.4	1.92	2.3	20.00	806	2.9	1.65	2.2	23.00	0.64	4956	2067	26	0.90	0.79	4059	1693	30	1.10	0.86	3716	1550	32	1.20	0.95	3374	1407	33	1.35	1.1	2940	1226	34	1.50	1.4	2280	951	58	3.65	0.67	4764	1987	28	0.95	0.73	4381	1827	30	1.00	0.83	3834	1599	32	1.15	0.95	3357	1400	33	1.35	1.1	2940	1226	34	1.50	1.4	2251	939	35	2.00	1.6	1971	822	35	2.25	0.93	3438	1434	4.2	0.90	1.1	2894	1207	22	1.10	1.2	2599	1084	23	1.20	0.95	3347	1396	15	0.95	1.1	2944	1228	22	1.05	1.2	2563	1069	23	1.20	1.4	2249	938	25	1.40	1.6	1976	824	26	1.60	1.8	1767	737	26	1.75	2.1	1515	632	26	2.00	3.1	1033	431	27	3.00	3.5	909	379	27	3.45	4.0	806	336	27	3.90	1.7	1933	806	14	0.85	1.8	1817	758	15	0.90	2.0	1563	652	17	1.05	1.7	1870	780	15	0.85	1.9	1650	688	16	1.00	2.2	1441	601	17	1.10	2.5	1264	527	18	1.30	2.9	1098	458	19	1.45	4.9	645	269	19	2.50	5.6	568	237	19	2.85	2.5	1295	540	18	1.25	2.8	1137	474	19	1.45	3.3	964	402	19	1.70	3.7	870	363	19	1.85																																																																																																																																																																																																																																																																																																																																																								
504	4.6	2.64	2.5	14.00			561	4.1	2.37	2.5	16.00			652	3.6	2.04	2.3	19.00			693	3.4	1.92	2.3	20.00	806	2.9	1.65	2.2	23.00	0.64	4956	2067	26	0.90	0.79	4059	1693	30	1.10	0.86	3716	1550	32	1.20	0.95	3374	1407	33	1.35	1.1	2940	1226	34	1.50	1.4	2280	951	58	3.65	0.67	4764	1987	28	0.95	0.73	4381	1827	30	1.00	0.83	3834	1599	32	1.15	0.95	3357	1400	33	1.35	1.1	2940	1226	34	1.50	1.4	2251	939	35	2.00	1.6	1971	822	35	2.25	0.93	3438	1434	4.2	0.90	1.1	2894	1207	22	1.10	1.2	2599	1084	23	1.20	0.95	3347	1396	15	0.95	1.1	2944	1228	22	1.05	1.2	2563	1069	23	1.20	1.4	2249	938	25	1.40	1.6	1976	824	26	1.60	1.8	1767	737	26	1.75	2.1	1515	632	26	2.00	3.1	1033	431	27	3.00	3.5	909	379	27	3.45	4.0	806	336	27	3.90	1.7	1933	806	14	0.85	1.8	1817	758	15	0.90	2.0	1563	652	17	1.05	1.7	1870	780	15	0.85	1.9	1650	688	16	1.00	2.2	1441	601	17	1.10	2.5	1264	527	18	1.30	2.9	1098	458	19	1.45	4.9	645	269	19	2.50	5.6	568	237	19	2.85	2.5	1295	540	18	1.25	2.8	1137	474	19	1.45	3.3	964	402	19	1.70	3.7	870	363	19	1.85																																																																																																																																																																																																																																																																																																																																																															
561	4.1	2.37	2.5	16.00			652	3.6	2.04	2.3	19.00			693	3.4	1.92	2.3	20.00	806	2.9	1.65	2.2	23.00	0.64	4956	2067	26	0.90	0.79	4059	1693	30	1.10	0.86	3716	1550	32	1.20	0.95	3374	1407	33	1.35	1.1	2940	1226	34	1.50	1.4	2280	951	58	3.65	0.67	4764	1987	28	0.95	0.73	4381	1827	30	1.00	0.83	3834	1599	32	1.15	0.95	3357	1400	33	1.35	1.1	2940	1226	34	1.50	1.4	2251	939	35	2.00	1.6	1971	822	35	2.25	0.93	3438	1434	4.2	0.90	1.1	2894	1207	22	1.10	1.2	2599	1084	23	1.20	0.95	3347	1396	15	0.95	1.1	2944	1228	22	1.05	1.2	2563	1069	23	1.20	1.4	2249	938	25	1.40	1.6	1976	824	26	1.60	1.8	1767	737	26	1.75	2.1	1515	632	26	2.00	3.1	1033	431	27	3.00	3.5	909	379	27	3.45	4.0	806	336	27	3.90	1.7	1933	806	14	0.85	1.8	1817	758	15	0.90	2.0	1563	652	17	1.05	1.7	1870	780	15	0.85	1.9	1650	688	16	1.00	2.2	1441	601	17	1.10	2.5	1264	527	18	1.30	2.9	1098	458	19	1.45	4.9	645	269	19	2.50	5.6	568	237	19	2.85	2.5	1295	540	18	1.25	2.8	1137	474	19	1.45	3.3	964	402	19	1.70	3.7	870	363	19	1.85																																																																																																																																																																																																																																																																																																																																																																						
652	3.6	2.04	2.3	19.00			693	3.4	1.92	2.3	20.00	806	2.9	1.65	2.2	23.00	0.64	4956	2067	26	0.90	0.79	4059	1693	30	1.10	0.86	3716	1550	32	1.20	0.95	3374	1407	33	1.35	1.1	2940	1226	34	1.50	1.4	2280	951	58	3.65	0.67	4764	1987	28	0.95	0.73	4381	1827	30	1.00	0.83	3834	1599	32	1.15	0.95	3357	1400	33	1.35	1.1	2940	1226	34	1.50	1.4	2251	939	35	2.00	1.6	1971	822	35	2.25	0.93	3438	1434	4.2	0.90	1.1	2894	1207	22	1.10	1.2	2599	1084	23	1.20	0.95	3347	1396	15	0.95	1.1	2944	1228	22	1.05	1.2	2563	1069	23	1.20	1.4	2249	938	25	1.40	1.6	1976	824	26	1.60	1.8	1767	737	26	1.75	2.1	1515	632	26	2.00	3.1	1033	431	27	3.00	3.5	909	379	27	3.45	4.0	806	336	27	3.90	1.7	1933	806	14	0.85	1.8	1817	758	15	0.90	2.0	1563	652	17	1.05	1.7	1870	780	15	0.85	1.9	1650	688	16	1.00	2.2	1441	601	17	1.10	2.5	1264	527	18	1.30	2.9	1098	458	19	1.45	4.9	645	269	19	2.50	5.6	568	237	19	2.85	2.5	1295	540	18	1.25	2.8	1137	474	19	1.45	3.3	964	402	19	1.70	3.7	870	363	19	1.85																																																																																																																																																																																																																																																																																																																																																																													
693	3.4	1.92	2.3	20.00	806	2.9	1.65	2.2	23.00	0.64	4956	2067	26	0.90	0.79	4059	1693	30	1.10	0.86	3716	1550	32	1.20	0.95	3374	1407	33	1.35	1.1	2940	1226	34	1.50	1.4	2280	951	58	3.65	0.67	4764	1987	28	0.95	0.73	4381	1827	30	1.00	0.83	3834	1599	32	1.15	0.95	3357	1400	33	1.35	1.1	2940	1226	34	1.50	1.4	2251	939	35	2.00	1.6	1971	822	35	2.25	0.93	3438	1434	4.2	0.90	1.1	2894	1207	22	1.10	1.2	2599	1084	23	1.20	0.95	3347	1396	15	0.95	1.1	2944	1228	22	1.05	1.2	2563	1069	23	1.20	1.4	2249	938	25	1.40	1.6	1976	824	26	1.60	1.8	1767	737	26	1.75	2.1	1515	632	26	2.00	3.1	1033	431	27	3.00	3.5	909	379	27	3.45	4.0	806	336	27	3.90	1.7	1933	806	14	0.85	1.8	1817	758	15	0.90	2.0	1563	652	17	1.05	1.7	1870	780	15	0.85	1.9	1650	688	16	1.00	2.2	1441	601	17	1.10	2.5	1264	527	18	1.30	2.9	1098	458	19	1.45	4.9	645	269	19	2.50	5.6	568	237	19	2.85	2.5	1295	540	18	1.25	2.8	1137	474	19	1.45	3.3	964	402	19	1.70	3.7	870	363	19	1.85																																																																																																																																																																																																																																																																																																																																																																																				
806	2.9	1.65	2.2	23.00	0.64	4956	2067	26	0.90	0.79	4059	1693	30	1.10	0.86	3716	1550	32	1.20	0.95	3374	1407	33	1.35	1.1	2940	1226	34	1.50	1.4	2280	951	58	3.65	0.67	4764	1987	28	0.95	0.73	4381	1827	30	1.00	0.83	3834	1599	32	1.15	0.95	3357	1400	33	1.35	1.1	2940	1226	34	1.50	1.4	2251	939	35	2.00	1.6	1971	822	35	2.25	0.93	3438	1434	4.2	0.90	1.1	2894	1207	22	1.10	1.2	2599	1084	23	1.20	0.95	3347	1396	15	0.95	1.1	2944	1228	22	1.05	1.2	2563	1069	23	1.20	1.4	2249	938	25	1.40	1.6	1976	824	26	1.60	1.8	1767	737	26	1.75	2.1	1515	632	26	2.00	3.1	1033	431	27	3.00	3.5	909	379	27	3.45	4.0	806	336	27	3.90	1.7	1933	806	14	0.85	1.8	1817	758	15	0.90	2.0	1563	652	17	1.05	1.7	1870	780	15	0.85	1.9	1650	688	16	1.00	2.2	1441	601	17	1.10	2.5	1264	527	18	1.30	2.9	1098	458	19	1.45	4.9	645	269	19	2.50	5.6	568	237	19	2.85	2.5	1295	540	18	1.25	2.8	1137	474	19	1.45	3.3	964	402	19	1.70	3.7	870	363	19	1.85																																																																																																																																																																																																																																																																																																																																																																																									
0.64	4956	2067	26	0.90	0.79	4059	1693	30	1.10	0.86	3716	1550	32	1.20	0.95	3374	1407	33	1.35	1.1	2940	1226	34	1.50	1.4	2280	951	58	3.65	0.67	4764	1987	28	0.95	0.73	4381	1827	30	1.00	0.83	3834	1599	32	1.15	0.95	3357	1400	33	1.35	1.1	2940	1226	34	1.50	1.4	2251	939	35	2.00	1.6	1971	822	35	2.25	0.93	3438	1434	4.2	0.90	1.1	2894	1207	22	1.10	1.2	2599	1084	23	1.20	0.95	3347	1396	15	0.95	1.1	2944	1228	22	1.05	1.2	2563	1069	23	1.20	1.4	2249	938	25	1.40	1.6	1976	824	26	1.60	1.8	1767	737	26	1.75	2.1	1515	632	26	2.00	3.1	1033	431	27	3.00	3.5	909	379	27	3.45	4.0	806	336	27	3.90	1.7	1933	806	14	0.85	1.8	1817	758	15	0.90	2.0	1563	652	17	1.05	1.7	1870	780	15	0.85	1.9	1650	688	16	1.00	2.2	1441	601	17	1.10	2.5	1264	527	18	1.30	2.9	1098	458	19	1.45	4.9	645	269	19	2.50	5.6	568	237	19	2.85	2.5	1295	540	18	1.25	2.8	1137	474	19	1.45	3.3	964	402	19	1.70	3.7	870	363	19	1.85																																																																																																																																																																																																																																																																																																																																																																																														
0.79	4059	1693	30	1.10	0.86	3716	1550	32	1.20	0.95	3374	1407	33	1.35	1.1	2940	1226	34	1.50	1.4	2280	951	58	3.65	0.67	4764	1987	28	0.95	0.73	4381	1827	30	1.00	0.83	3834	1599	32	1.15	0.95	3357	1400	33	1.35	1.1	2940	1226	34	1.50	1.4	2251	939	35	2.00	1.6	1971	822	35	2.25	0.93	3438	1434	4.2	0.90	1.1	2894	1207	22	1.10	1.2	2599	1084	23	1.20	0.95	3347	1396	15	0.95	1.1	2944	1228	22	1.05	1.2	2563	1069	23	1.20	1.4	2249	938	25	1.40	1.6	1976	824	26	1.60	1.8	1767	737	26	1.75	2.1	1515	632	26	2.00	3.1	1033	431	27	3.00	3.5	909	379	27	3.45	4.0	806	336	27	3.90	1.7	1933	806	14	0.85	1.8	1817	758	15	0.90	2.0	1563	652	17	1.05	1.7	1870	780	15	0.85	1.9	1650	688	16	1.00	2.2	1441	601	17	1.10	2.5	1264	527	18	1.30	2.9	1098	458	19	1.45	4.9	645	269	19	2.50	5.6	568	237	19	2.85	2.5	1295	540	18	1.25	2.8	1137	474	19	1.45	3.3	964	402	19	1.70	3.7	870	363	19	1.85																																																																																																																																																																																																																																																																																																																																																																																																			
0.86	3716	1550	32	1.20	0.95	3374	1407	33	1.35	1.1	2940	1226	34	1.50	1.4	2280	951	58	3.65	0.67	4764	1987	28	0.95	0.73	4381	1827	30	1.00	0.83	3834	1599	32	1.15	0.95	3357	1400	33	1.35	1.1	2940	1226	34	1.50	1.4	2251	939	35	2.00	1.6	1971	822	35	2.25	0.93	3438	1434	4.2	0.90	1.1	2894	1207	22	1.10	1.2	2599	1084	23	1.20	0.95	3347	1396	15	0.95	1.1	2944	1228	22	1.05	1.2	2563	1069	23	1.20	1.4	2249	938	25	1.40	1.6	1976	824	26	1.60	1.8	1767	737	26	1.75	2.1	1515	632	26	2.00	3.1	1033	431	27	3.00	3.5	909	379	27	3.45	4.0	806	336	27	3.90	1.7	1933	806	14	0.85	1.8	1817	758	15	0.90	2.0	1563	652	17	1.05	1.7	1870	780	15	0.85	1.9	1650	688	16	1.00	2.2	1441	601	17	1.10	2.5	1264	527	18	1.30	2.9	1098	458	19	1.45	4.9	645	269	19	2.50	5.6	568	237	19	2.85	2.5	1295	540	18	1.25	2.8	1137	474	19	1.45	3.3	964	402	19	1.70	3.7	870	363	19	1.85																																																																																																																																																																																																																																																																																																																																																																																																								
0.95	3374	1407	33	1.35	1.1	2940	1226	34	1.50	1.4	2280	951	58	3.65	0.67	4764	1987	28	0.95	0.73	4381	1827	30	1.00	0.83	3834	1599	32	1.15	0.95	3357	1400	33	1.35	1.1	2940	1226	34	1.50	1.4	2251	939	35	2.00	1.6	1971	822	35	2.25	0.93	3438	1434	4.2	0.90	1.1	2894	1207	22	1.10	1.2	2599	1084	23	1.20	0.95	3347	1396	15	0.95	1.1	2944	1228	22	1.05	1.2	2563	1069	23	1.20	1.4	2249	938	25	1.40	1.6	1976	824	26	1.60	1.8	1767	737	26	1.75	2.1	1515	632	26	2.00	3.1	1033	431	27	3.00	3.5	909	379	27	3.45	4.0	806	336	27	3.90	1.7	1933	806	14	0.85	1.8	1817	758	15	0.90	2.0	1563	652	17	1.05	1.7	1870	780	15	0.85	1.9	1650	688	16	1.00	2.2	1441	601	17	1.10	2.5	1264	527	18	1.30	2.9	1098	458	19	1.45	4.9	645	269	19	2.50	5.6	568	237	19	2.85	2.5	1295	540	18	1.25	2.8	1137	474	19	1.45	3.3	964	402	19	1.70	3.7	870	363	19	1.85																																																																																																																																																																																																																																																																																																																																																																																																													
1.1	2940	1226	34	1.50	1.4	2280	951	58	3.65	0.67	4764	1987	28	0.95	0.73	4381	1827	30	1.00	0.83	3834	1599	32	1.15	0.95	3357	1400	33	1.35	1.1	2940	1226	34	1.50	1.4	2251	939	35	2.00	1.6	1971	822	35	2.25	0.93	3438	1434	4.2	0.90	1.1	2894	1207	22	1.10	1.2	2599	1084	23	1.20	0.95	3347	1396	15	0.95	1.1	2944	1228	22	1.05	1.2	2563	1069	23	1.20	1.4	2249	938	25	1.40	1.6	1976	824	26	1.60	1.8	1767	737	26	1.75	2.1	1515	632	26	2.00	3.1	1033	431	27	3.00	3.5	909	379	27	3.45	4.0	806	336	27	3.90	1.7	1933	806	14	0.85	1.8	1817	758	15	0.90	2.0	1563	652	17	1.05	1.7	1870	780	15	0.85	1.9	1650	688	16	1.00	2.2	1441	601	17	1.10	2.5	1264	527	18	1.30	2.9	1098	458	19	1.45	4.9	645	269	19	2.50	5.6	568	237	19	2.85	2.5	1295	540	18	1.25	2.8	1137	474	19	1.45	3.3	964	402	19	1.70	3.7	870	363	19	1.85																																																																																																																																																																																																																																																																																																																																																																																																																		
1.4	2280	951	58	3.65	0.67	4764	1987	28	0.95	0.73	4381	1827	30	1.00	0.83	3834	1599	32	1.15	0.95	3357	1400	33	1.35	1.1	2940	1226	34	1.50	1.4	2251	939	35	2.00	1.6	1971	822	35	2.25	0.93	3438	1434	4.2	0.90	1.1	2894	1207	22	1.10	1.2	2599	1084	23	1.20	0.95	3347	1396	15	0.95	1.1	2944	1228	22	1.05	1.2	2563	1069	23	1.20	1.4	2249	938	25	1.40	1.6	1976	824	26	1.60	1.8	1767	737	26	1.75	2.1	1515	632	26	2.00	3.1	1033	431	27	3.00	3.5	909	379	27	3.45	4.0	806	336	27	3.90	1.7	1933	806	14	0.85	1.8	1817	758	15	0.90	2.0	1563	652	17	1.05	1.7	1870	780	15	0.85	1.9	1650	688	16	1.00	2.2	1441	601	17	1.10	2.5	1264	527	18	1.30	2.9	1098	458	19	1.45	4.9	645	269	19	2.50	5.6	568	237	19	2.85	2.5	1295	540	18	1.25	2.8	1137	474	19	1.45	3.3	964	402	19	1.70	3.7	870	363	19	1.85																																																																																																																																																																																																																																																																																																																																																																																																																							
0.67	4764	1987	28	0.95	0.73	4381	1827	30	1.00	0.83	3834	1599	32	1.15	0.95	3357	1400	33	1.35	1.1	2940	1226	34	1.50	1.4	2251	939	35	2.00	1.6	1971	822	35	2.25	0.93	3438	1434	4.2	0.90	1.1	2894	1207	22	1.10	1.2	2599	1084	23	1.20	0.95	3347	1396	15	0.95	1.1	2944	1228	22	1.05	1.2	2563	1069	23	1.20	1.4	2249	938	25	1.40	1.6	1976	824	26	1.60	1.8	1767	737	26	1.75	2.1	1515	632	26	2.00	3.1	1033	431	27	3.00	3.5	909	379	27	3.45	4.0	806	336	27	3.90	1.7	1933	806	14	0.85	1.8	1817	758	15	0.90	2.0	1563	652	17	1.05	1.7	1870	780	15	0.85	1.9	1650	688	16	1.00	2.2	1441	601	17	1.10	2.5	1264	527	18	1.30	2.9	1098	458	19	1.45	4.9	645	269	19	2.50	5.6	568	237	19	2.85	2.5	1295	540	18	1.25	2.8	1137	474	19	1.45	3.3	964	402	19	1.70	3.7	870	363	19	1.85																																																																																																																																																																																																																																																																																																																																																																																																																												
0.73	4381	1827	30	1.00	0.83	3834	1599	32	1.15	0.95	3357	1400	33	1.35	1.1	2940	1226	34	1.50	1.4	2251	939	35	2.00	1.6	1971	822	35	2.25	0.93	3438	1434	4.2	0.90	1.1	2894	1207	22	1.10	1.2	2599	1084	23	1.20	0.95	3347	1396	15	0.95	1.1	2944	1228	22	1.05	1.2	2563	1069	23	1.20	1.4	2249	938	25	1.40	1.6	1976	824	26	1.60	1.8	1767	737	26	1.75	2.1	1515	632	26	2.00	3.1	1033	431	27	3.00	3.5	909	379	27	3.45	4.0	806	336	27	3.90	1.7	1933	806	14	0.85	1.8	1817	758	15	0.90	2.0	1563	652	17	1.05	1.7	1870	780	15	0.85	1.9	1650	688	16	1.00	2.2	1441	601	17	1.10	2.5	1264	527	18	1.30	2.9	1098	458	19	1.45	4.9	645	269	19	2.50	5.6	568	237	19	2.85	2.5	1295	540	18	1.25	2.8	1137	474	19	1.45	3.3	964	402	19	1.70	3.7	870	363	19	1.85																																																																																																																																																																																																																																																																																																																																																																																																																																	
0.83	3834	1599	32	1.15	0.95	3357	1400	33	1.35	1.1	2940	1226	34	1.50	1.4	2251	939	35	2.00	1.6	1971	822	35	2.25	0.93	3438	1434	4.2	0.90	1.1	2894	1207	22	1.10	1.2	2599	1084	23	1.20	0.95	3347	1396	15	0.95	1.1	2944	1228	22	1.05	1.2	2563	1069	23	1.20	1.4	2249	938	25	1.40	1.6	1976	824	26	1.60	1.8	1767	737	26	1.75	2.1	1515	632	26	2.00	3.1	1033	431	27	3.00	3.5	909	379	27	3.45	4.0	806	336	27	3.90	1.7	1933	806	14	0.85	1.8	1817	758	15	0.90	2.0	1563	652	17	1.05	1.7	1870	780	15	0.85	1.9	1650	688	16	1.00	2.2	1441	601	17	1.10	2.5	1264	527	18	1.30	2.9	1098	458	19	1.45	4.9	645	269	19	2.50	5.6	568	237	19	2.85	2.5	1295	540	18	1.25	2.8	1137	474	19	1.45	3.3	964	402	19	1.70	3.7	870	363	19	1.85																																																																																																																																																																																																																																																																																																																																																																																																																																						
0.95	3357	1400	33	1.35	1.1	2940	1226	34	1.50	1.4	2251	939	35	2.00	1.6	1971	822	35	2.25	0.93	3438	1434	4.2	0.90	1.1	2894	1207	22	1.10	1.2	2599	1084	23	1.20	0.95	3347	1396	15	0.95	1.1	2944	1228	22	1.05	1.2	2563	1069	23	1.20	1.4	2249	938	25	1.40	1.6	1976	824	26	1.60	1.8	1767	737	26	1.75	2.1	1515	632	26	2.00	3.1	1033	431	27	3.00	3.5	909	379	27	3.45	4.0	806	336	27	3.90	1.7	1933	806	14	0.85	1.8	1817	758	15	0.90	2.0	1563	652	17	1.05	1.7	1870	780	15	0.85	1.9	1650	688	16	1.00	2.2	1441	601	17	1.10	2.5	1264	527	18	1.30	2.9	1098	458	19	1.45	4.9	645	269	19	2.50	5.6	568	237	19	2.85	2.5	1295	540	18	1.25	2.8	1137	474	19	1.45	3.3	964	402	19	1.70	3.7	870	363	19	1.85																																																																																																																																																																																																																																																																																																																																																																																																																																											
1.1	2940	1226	34	1.50	1.4	2251	939	35	2.00	1.6	1971	822	35	2.25	0.93	3438	1434	4.2	0.90	1.1	2894	1207	22	1.10	1.2	2599	1084	23	1.20	0.95	3347	1396	15	0.95	1.1	2944	1228	22	1.05	1.2	2563	1069	23	1.20	1.4	2249	938	25	1.40	1.6	1976	824	26	1.60	1.8	1767	737	26	1.75	2.1	1515	632	26	2.00	3.1	1033	431	27	3.00	3.5	909	379	27	3.45	4.0	806	336	27	3.90	1.7	1933	806	14	0.85	1.8	1817	758	15	0.90	2.0	1563	652	17	1.05	1.7	1870	780	15	0.85	1.9	1650	688	16	1.00	2.2	1441	601	17	1.10	2.5	1264	527	18	1.30	2.9	1098	458	19	1.45	4.9	645	269	19	2.50	5.6	568	237	19	2.85	2.5	1295	540	18	1.25	2.8	1137	474	19	1.45	3.3	964	402	19	1.70	3.7	870	363	19	1.85																																																																																																																																																																																																																																																																																																																																																																																																																																																
1.4	2251	939	35	2.00	1.6	1971	822	35	2.25	0.93	3438	1434	4.2	0.90	1.1	2894	1207	22	1.10	1.2	2599	1084	23	1.20	0.95	3347	1396	15	0.95	1.1	2944	1228	22	1.05	1.2	2563	1069	23	1.20	1.4	2249	938	25	1.40	1.6	1976	824	26	1.60	1.8	1767	737	26	1.75	2.1	1515	632	26	2.00	3.1	1033	431	27	3.00	3.5	909	379	27	3.45	4.0	806	336	27	3.90	1.7	1933	806	14	0.85	1.8	1817	758	15	0.90	2.0	1563	652	17	1.05	1.7	1870	780	15	0.85	1.9	1650	688	16	1.00	2.2	1441	601	17	1.10	2.5	1264	527	18	1.30	2.9	1098	458	19	1.45	4.9	645	269	19	2.50	5.6	568	237	19	2.85	2.5	1295	540	18	1.25	2.8	1137	474	19	1.45	3.3	964	402	19	1.70	3.7	870	363	19	1.85																																																																																																																																																																																																																																																																																																																																																																																																																																																					
1.6	1971	822	35	2.25	0.93	3438	1434	4.2	0.90	1.1	2894	1207	22	1.10	1.2	2599	1084	23	1.20	0.95	3347	1396	15	0.95	1.1	2944	1228	22	1.05	1.2	2563	1069	23	1.20	1.4	2249	938	25	1.40	1.6	1976	824	26	1.60	1.8	1767	737	26	1.75	2.1	1515	632	26	2.00	3.1	1033	431	27	3.00	3.5	909	379	27	3.45	4.0	806	336	27	3.90	1.7	1933	806	14	0.85	1.8	1817	758	15	0.90	2.0	1563	652	17	1.05	1.7	1870	780	15	0.85	1.9	1650	688	16	1.00	2.2	1441	601	17	1.10	2.5	1264	527	18	1.30	2.9	1098	458	19	1.45	4.9	645	269	19	2.50	5.6	568	237	19	2.85	2.5	1295	540	18	1.25	2.8	1137	474	19	1.45	3.3	964	402	19	1.70	3.7	870	363	19	1.85																																																																																																																																																																																																																																																																																																																																																																																																																																																										
0.93	3438	1434	4.2	0.90	1.1	2894	1207	22	1.10	1.2	2599	1084	23	1.20	0.95	3347	1396	15	0.95	1.1	2944	1228	22	1.05	1.2	2563	1069	23	1.20	1.4	2249	938	25	1.40	1.6	1976	824	26	1.60	1.8	1767	737	26	1.75	2.1	1515	632	26	2.00	3.1	1033	431	27	3.00	3.5	909	379	27	3.45	4.0	806	336	27	3.90	1.7	1933	806	14	0.85	1.8	1817	758	15	0.90	2.0	1563	652	17	1.05	1.7	1870	780	15	0.85	1.9	1650	688	16	1.00	2.2	1441	601	17	1.10	2.5	1264	527	18	1.30	2.9	1098	458	19	1.45	4.9	645	269	19	2.50	5.6	568	237	19	2.85	2.5	1295	540	18	1.25	2.8	1137	474	19	1.45	3.3	964	402	19	1.70	3.7	870	363	19	1.85																																																																																																																																																																																																																																																																																																																																																																																																																																																															
1.1	2894	1207	22	1.10	1.2	2599	1084	23	1.20	0.95	3347	1396	15	0.95	1.1	2944	1228	22	1.05	1.2	2563	1069	23	1.20	1.4	2249	938	25	1.40	1.6	1976	824	26	1.60	1.8	1767	737	26	1.75	2.1	1515	632	26	2.00	3.1	1033	431	27	3.00	3.5	909	379	27	3.45	4.0	806	336	27	3.90	1.7	1933	806	14	0.85	1.8	1817	758	15	0.90	2.0	1563	652	17	1.05	1.7	1870	780	15	0.85	1.9	1650	688	16	1.00	2.2	1441	601	17	1.10	2.5	1264	527	18	1.30	2.9	1098	458	19	1.45	4.9	645	269	19	2.50	5.6	568	237	19	2.85	2.5	1295	540	18	1.25	2.8	1137	474	19	1.45	3.3	964	402	19	1.70	3.7	870	363	19	1.85																																																																																																																																																																																																																																																																																																																																																																																																																																																																				
1.2	2599	1084	23	1.20	0.95	3347	1396	15	0.95	1.1	2944	1228	22	1.05	1.2	2563	1069	23	1.20	1.4	2249	938	25	1.40	1.6	1976	824	26	1.60	1.8	1767	737	26	1.75	2.1	1515	632	26	2.00	3.1	1033	431	27	3.00	3.5	909	379	27	3.45	4.0	806	336	27	3.90	1.7	1933	806	14	0.85	1.8	1817	758	15	0.90	2.0	1563	652	17	1.05	1.7	1870	780	15	0.85	1.9	1650	688	16	1.00	2.2	1441	601	17	1.10	2.5	1264	527	18	1.30	2.9	1098	458	19	1.45	4.9	645	269	19	2.50	5.6	568	237	19	2.85	2.5	1295	540	18	1.25	2.8	1137	474	19	1.45	3.3	964	402	19	1.70	3.7	870	363	19	1.85																																																																																																																																																																																																																																																																																																																																																																																																																																																																									
0.95	3347	1396	15	0.95	1.1	2944	1228	22	1.05	1.2	2563	1069	23	1.20	1.4	2249	938	25	1.40	1.6	1976	824	26	1.60	1.8	1767	737	26	1.75	2.1	1515	632	26	2.00	3.1	1033	431	27	3.00	3.5	909	379	27	3.45	4.0	806	336	27	3.90	1.7	1933	806	14	0.85	1.8	1817	758	15	0.90	2.0	1563	652	17	1.05	1.7	1870	780	15	0.85	1.9	1650	688	16	1.00	2.2	1441	601	17	1.10	2.5	1264	527	18	1.30	2.9	1098	458	19	1.45	4.9	645	269	19	2.50	5.6	568	237	19	2.85	2.5	1295	540	18	1.25	2.8	1137	474	19	1.45	3.3	964	402	19	1.70	3.7	870	363	19	1.85																																																																																																																																																																																																																																																																																																																																																																																																																																																																														
1.1	2944	1228	22	1.05	1.2	2563	1069	23	1.20	1.4	2249	938	25	1.40	1.6	1976	824	26	1.60	1.8	1767	737	26	1.75	2.1	1515	632	26	2.00	3.1	1033	431	27	3.00	3.5	909	379	27	3.45	4.0	806	336	27	3.90	1.7	1933	806	14	0.85	1.8	1817	758	15	0.90	2.0	1563	652	17	1.05	1.7	1870	780	15	0.85	1.9	1650	688	16	1.00	2.2	1441	601	17	1.10	2.5	1264	527	18	1.30	2.9	1098	458	19	1.45	4.9	645	269	19	2.50	5.6	568	237	19	2.85	2.5	1295	540	18	1.25	2.8	1137	474	19	1.45	3.3	964	402	19	1.70	3.7	870	363	19	1.85																																																																																																																																																																																																																																																																																																																																																																																																																																																																																			
1.2	2563	1069	23	1.20	1.4	2249	938	25	1.40	1.6	1976	824	26	1.60	1.8	1767	737	26	1.75	2.1	1515	632	26	2.00	3.1	1033	431	27	3.00	3.5	909	379	27	3.45	4.0	806	336	27	3.90	1.7	1933	806	14	0.85	1.8	1817	758	15	0.90	2.0	1563	652	17	1.05	1.7	1870	780	15	0.85	1.9	1650	688	16	1.00	2.2	1441	601	17	1.10	2.5	1264	527	18	1.30	2.9	1098	458	19	1.45	4.9	645	269	19	2.50	5.6	568	237	19	2.85	2.5	1295	540	18	1.25	2.8	1137	474	19	1.45	3.3	964	402	19	1.70	3.7	870	363	19	1.85																																																																																																																																																																																																																																																																																																																																																																																																																																																																																								
1.4	2249	938	25	1.40	1.6	1976	824	26	1.60	1.8	1767	737	26	1.75	2.1	1515	632	26	2.00	3.1	1033	431	27	3.00	3.5	909	379	27	3.45	4.0	806	336	27	3.90	1.7	1933	806	14	0.85	1.8	1817	758	15	0.90	2.0	1563	652	17	1.05	1.7	1870	780	15	0.85	1.9	1650	688	16	1.00	2.2	1441	601	17	1.10	2.5	1264	527	18	1.30	2.9	1098	458	19	1.45	4.9	645	269	19	2.50	5.6	568	237	19	2.85	2.5	1295	540	18	1.25	2.8	1137	474	19	1.45	3.3	964	402	19	1.70	3.7	870	363	19	1.85																																																																																																																																																																																																																																																																																																																																																																																																																																																																																													
1.6	1976	824	26	1.60	1.8	1767	737	26	1.75	2.1	1515	632	26	2.00	3.1	1033	431	27	3.00	3.5	909	379	27	3.45	4.0	806	336	27	3.90	1.7	1933	806	14	0.85	1.8	1817	758	15	0.90	2.0	1563	652	17	1.05	1.7	1870	780	15	0.85	1.9	1650	688	16	1.00	2.2	1441	601	17	1.10	2.5	1264	527	18	1.30	2.9	1098	458	19	1.45	4.9	645	269	19	2.50	5.6	568	237	19	2.85	2.5	1295	540	18	1.25	2.8	1137	474	19	1.45	3.3	964	402	19	1.70	3.7	870	363	19	1.85																																																																																																																																																																																																																																																																																																																																																																																																																																																																																																		
1.8	1767	737	26	1.75	2.1	1515	632	26	2.00	3.1	1033	431	27	3.00	3.5	909	379	27	3.45	4.0	806	336	27	3.90	1.7	1933	806	14	0.85	1.8	1817	758	15	0.90	2.0	1563	652	17	1.05	1.7	1870	780	15	0.85	1.9	1650	688	16	1.00	2.2	1441	601	17	1.10	2.5	1264	527	18	1.30	2.9	1098	458	19	1.45	4.9	645	269	19	2.50	5.6	568	237	19	2.85	2.5	1295	540	18	1.25	2.8	1137	474	19	1.45	3.3	964	402	19	1.70	3.7	870	363	19	1.85																																																																																																																																																																																																																																																																																																																																																																																																																																																																																																							
2.1	1515	632	26	2.00	3.1	1033	431	27	3.00	3.5	909	379	27	3.45	4.0	806	336	27	3.90	1.7	1933	806	14	0.85	1.8	1817	758	15	0.90	2.0	1563	652	17	1.05	1.7	1870	780	15	0.85	1.9	1650	688	16	1.00	2.2	1441	601	17	1.10	2.5	1264	527	18	1.30	2.9	1098	458	19	1.45	4.9	645	269	19	2.50	5.6	568	237	19	2.85	2.5	1295	540	18	1.25	2.8	1137	474	19	1.45	3.3	964	402	19	1.70	3.7	870	363	19	1.85																																																																																																																																																																																																																																																																																																																																																																																																																																																																																																												
3.1	1033	431	27	3.00	3.5	909	379	27	3.45	4.0	806	336	27	3.90	1.7	1933	806	14	0.85	1.8	1817	758	15	0.90	2.0	1563	652	17	1.05	1.7	1870	780	15	0.85	1.9	1650	688	16	1.00	2.2	1441	601	17	1.10	2.5	1264	527	18	1.30	2.9	1098	458	19	1.45	4.9	645	269	19	2.50	5.6	568	237	19	2.85	2.5	1295	540	18	1.25	2.8	1137	474	19	1.45	3.3	964	402	19	1.70	3.7	870	363	19	1.85																																																																																																																																																																																																																																																																																																																																																																																																																																																																																																																	
3.5	909	379	27	3.45	4.0	806	336	27	3.90	1.7	1933	806	14	0.85	1.8	1817	758	15	0.90	2.0	1563	652	17	1.05	1.7	1870	780	15	0.85	1.9	1650	688	16	1.00	2.2	1441	601	17	1.10	2.5	1264	527	18	1.30	2.9	1098	458	19	1.45	4.9	645	269	19	2.50	5.6	568	237	19	2.85	2.5	1295	540	18	1.25	2.8	1137	474	19	1.45	3.3	964	402	19	1.70	3.7	870	363	19	1.85																																																																																																																																																																																																																																																																																																																																																																																																																																																																																																																						
4.0	806	336	27	3.90	1.7	1933	806	14	0.85	1.8	1817	758	15	0.90	2.0	1563	652	17	1.05	1.7	1870	780	15	0.85	1.9	1650	688	16	1.00	2.2	1441	601	17	1.10	2.5	1264	527	18	1.30	2.9	1098	458	19	1.45	4.9	645	269	19	2.50	5.6	568	237	19	2.85	2.5	1295	540	18	1.25	2.8	1137	474	19	1.45	3.3	964	402	19	1.70	3.7	870	363	19	1.85																																																																																																																																																																																																																																																																																																																																																																																																																																																																																																																											
1.7	1933	806	14	0.85	1.8	1817	758	15	0.90	2.0	1563	652	17	1.05	1.7	1870	780	15	0.85	1.9	1650	688	16	1.00	2.2	1441	601	17	1.10	2.5	1264	527	18	1.30	2.9	1098	458	19	1.45	4.9	645	269	19	2.50	5.6	568	237	19	2.85	2.5	1295	540	18	1.25	2.8	1137	474	19	1.45	3.3	964	402	19	1.70	3.7	870	363	19	1.85																																																																																																																																																																																																																																																																																																																																																																																																																																																																																																																																
1.8	1817	758	15	0.90	2.0	1563	652	17	1.05	1.7	1870	780	15	0.85	1.9	1650	688	16	1.00	2.2	1441	601	17	1.10	2.5	1264	527	18	1.30	2.9	1098	458	19	1.45	4.9	645	269	19	2.50	5.6	568	237	19	2.85	2.5	1295	540	18	1.25	2.8	1137	474	19	1.45	3.3	964	402	19	1.70	3.7	870	363	19	1.85																																																																																																																																																																																																																																																																																																																																																																																																																																																																																																																																					
2.0	1563	652	17	1.05	1.7	1870	780	15	0.85	1.9	1650	688	16	1.00	2.2	1441	601	17	1.10	2.5	1264	527	18	1.30	2.9	1098	458	19	1.45	4.9	645	269	19	2.50	5.6	568	237	19	2.85	2.5	1295	540	18	1.25	2.8	1137	474	19	1.45	3.3	964	402	19	1.70	3.7	870	363	19	1.85																																																																																																																																																																																																																																																																																																																																																																																																																																																																																																																																										
1.7	1870	780	15	0.85	1.9	1650	688	16	1.00	2.2	1441	601	17	1.10	2.5	1264	527	18	1.30	2.9	1098	458	19	1.45	4.9	645	269	19	2.50	5.6	568	237	19	2.85	2.5	1295	540	18	1.25	2.8	1137	474	19	1.45	3.3	964	402	19	1.70	3.7	870	363	19	1.85																																																																																																																																																																																																																																																																																																																																																																																																																																																																																																																																															
1.9	1650	688	16	1.00	2.2	1441	601	17	1.10	2.5	1264	527	18	1.30	2.9	1098	458	19	1.45	4.9	645	269	19	2.50	5.6	568	237	19	2.85	2.5	1295	540	18	1.25	2.8	1137	474	19	1.45	3.3	964	402	19	1.70	3.7	870	363	19	1.85																																																																																																																																																																																																																																																																																																																																																																																																																																																																																																																																																				
2.2	1441	601	17	1.10	2.5	1264	527	18	1.30	2.9	1098	458	19	1.45	4.9	645	269	19	2.50	5.6	568	237	19	2.85	2.5	1295	540	18	1.25	2.8	1137	474	19	1.45	3.3	964	402	19	1.70	3.7	870	363	19	1.85																																																																																																																																																																																																																																																																																																																																																																																																																																																																																																																																																									
2.5	1264	527	18	1.30	2.9	1098	458	19	1.45	4.9	645	269	19	2.50	5.6	568	237	19	2.85	2.5	1295	540	18	1.25	2.8	1137	474	19	1.45	3.3	964	402	19	1.70	3.7	870	363	19	1.85																																																																																																																																																																																																																																																																																																																																																																																																																																																																																																																																																														
2.9	1098	458	19	1.45	4.9	645	269	19	2.50	5.6	568	237	19	2.85	2.5	1295	540	18	1.25	2.8	1137	474	19	1.45	3.3	964	402	19	1.70	3.7	870	363	19	1.85																																																																																																																																																																																																																																																																																																																																																																																																																																																																																																																																																																			
4.9	645	269	19	2.50	5.6	568	237	19	2.85	2.5	1295	540	18	1.25	2.8	1137	474	19	1.45	3.3	964	402	19	1.70	3.7	870	363	19	1.85																																																																																																																																																																																																																																																																																																																																																																																																																																																																																																																																																																								
5.6	568	237	19	2.85	2.5	1295	540	18	1.25	2.8	1137	474	19	1.45	3.3	964	402	19	1.70	3.7	870	363	19	1.85																																																																																																																																																																																																																																																																																																																																																																																																																																																																																																																																																																													
2.5	1295	540	18	1.25	2.8	1137	474	19	1.45	3.3	964	402	19	1.70	3.7	870	363	19	1.85																																																																																																																																																																																																																																																																																																																																																																																																																																																																																																																																																																																		
2.8	1137	474	19	1.45	3.3	964	402	19	1.70	3.7	870	363	19	1.85																																																																																																																																																																																																																																																																																																																																																																																																																																																																																																																																																																																							
3.3	964	402	19	1.70	3.7	870	363	19	1.85																																																																																																																																																																																																																																																																																																																																																																																																																																																																																																																																																																																												
3.7	870	363	19	1.85																																																																																																																																																																																																																																																																																																																																																																																																																																																																																																																																																																																																	

**选型参数表
(恒功率)**
**Selection Table
(Constant Power)**

n_a [r/min]	M_a [N.m]	i	F_{Ra} [kN]	f_B	机型号 Type size	极数 Pole	n_a [r/min]	M_a [N.m]	i	F_{Ra} [kN]	f_B	机型号 Type size	极数 Pole																																																																																																																																																																																																																																																																																																																																																																																																																																																																																																																																																																																																																																																																
0.37kW							0.37kW																																																																																																																																																																																																																																																																																																																																																																																																																																																																																																																																																																																																																																																																						
3.1	1045	436	5.1	0.80	GR79R39 GRF79R39	4P	7.1	472	186.89	6.6	0.95	GR59 GRF59	4P																																																																																																																																																																																																																																																																																																																																																																																																																																																																																																																																																																																																																																																																
3.6	894	373	9.2	0.95			4.1	784	327	10	1.10			4.6	693	289	11	1.25	5.1	623	260	11	1.40	5.9	537	224	11	1.60	6.8	472	197	12	1.80	7.9	405	169	12	2.10	8.9	357	149	12	2.40	12	269	106.58	7.3	1.65	4.5	705	294	5.9	0.90	GR69R39 GRF69R39	4P	13	250	98.99	7.4	1.80	5.1	626	261	7.3	1.00	5.7	561	234	7.9	1.10	6.7	480	200	8.6	1.30	2.6	1301	255.71	27	2.30	GR99 GRF99	8P	15	226	89.71	7.4	1.95	2.7	1227	241.25	27	2.40	3.1	1100	216.28	27	2.70	3.5	948	186.30	27	3.10	GR99 GRF99	6P	17	203	80.55	7.4	2.20	3.1	1093	289.74	27	2.70	3.5	964	255.71	27	3.00	3.7	910	241.25	27	3.25	4.1	816	216.28	27	3.65	GR89 GRF89	8P	19	173	68.54	5.6	1.70	3.0	1106	217.48	18	1.40	3.2	1051	206.60	19	1.50	3.6	929	182.55	19	1.70	3.6	934	247.61	19	1.65	4.1	820	217.48	19	1.85	4.3	779	206.60	19	1.95	4.9	689	182.55	19	2.25	5.7	588	156.01	19	2.60	6.2	539	143.03	19	2.85	4.5	741	145.67	10	1.10	GR79 GRF79	8P	21	162	64.21	5.7	1.80	4.8	704	138.39	10	1.15	5.4	618	121.42	11	1.35	5.3	628	166.59	11	1.30	GR79 GRF79	6P	23	143	56.73	5.7	2.10	6.1	549	145.67	11	1.50	6.4	522	138.39	11	1.55	6.8	493	195.24	11	1.70	8.0	420	166.59	12	2.00	GR79 GRF79	4P	25	133	52.69	5.7	2.20	9.1	368	145.67	12	2.20	9.6	349	138.39	12	2.30	11	306	121.42	12	2.60	13	260	102.99	12	3.10	14	235	92.97	12	3.50	5.6	596	158.14	6.9	0.95	6.5	519	137.67	7.8	1.10	6.9	486	128.97	8.1	1.20	7.8	430	113.94	8.6	1.35	6.7	483	199.81	8.1	1.15	GR69 GRF69	6P	28	121	47.75	5.5	2.50	7.2	445	184.07	8.4	1.25	8.4	382	158.14	8.8	1.50	9.7	347	137.67	9.1	1.70	10	326	128.97	9.3	1.80	12	288	113.94	9.4	2.10	13	267	105.83	10	2.20	14	242	95.91	10	2.40	15	217	86.11	10	2.70	18	187	74.17	10	3.20	19	176	69.75	10	3.40	22	155	61.26	13	3.80	23	144	56.89	10	4.10	6.9	486	128.77	6.2	0.90	7.4	455	120.63	6.7	0.95	8.4	402	106.58	6.9	1.10	9.0	373	98.99	7.0	1.15	39	85	33.79	5.0	2.80	GR49 GRF49	4P	31	108	42.87	5.4	2.70	43	79	31.12	4.9	2.80	50	67	26.74	4.7	4.40	57	59	23.28	4.5	5.00	61	55	21.81	4.4	5.40	15	229	90.77	4.0	0.85	GR39 GRF39	4P	36	93	36.72	4.9	2.10	16	214	84.61	4.5	0.90	18	187	73.96	4.8	1.05	19	175	69.33	4.9	1.15	GR39 GRF39	4P	41	82	32.40	4.8	2.40	22	154	61.18	5.1	1.30	24	141	55.76	5.3	1.40	28	121	48.08	5.3	1.60	30	113	44.81	5.2	1.75	34	99	39.17	5.0	2.00	36	93	36.72	4.9	2.10	41	82	32.40	4.8	2.40	46	73	28.73	4.6	2.70	54	62	24.42	4.4	3.20	47	71	28.32	4.6	2.80	GR39 GRF39	4P	51	66	26.03	4.5	2.80	51	66	26.03	4.5	2.80	60	56	22.27	4.3	3.50	69	49	19.31	4.1	4.10	74	46	18.05	4.0	4.30	85	39	15.60	3.8	5.00	GR39 GRF39	4P	100	33	13.25	3.7	5.60	112	30	11.83	3.5	6.00	22	155	61.30	3.7	0.85	GR29 GRF29	4P	24	141	55.87	3.6	0.90	24	141	55.87	3.6	0.90	28	122	48.17	3.5	1.05	30	113	44.90	3.4	1.15	34	99	39.25	3.3	1.30	36	93	36.79	3.3	1.40	41	82	32.47	3.2	1.55	46	73	28.78	3.1	1.75	54	62	24.47	3.0	2.10																																																														
4.1	784	327	10	1.10			4.6	693	289	11	1.25			5.1	623	260	11	1.40	5.9	537	224	11	1.60	6.8	472	197	12	1.80	7.9	405	169	12	2.10	8.9	357	149	12	2.40	12	269	106.58	7.3	1.65	4.5	705	294	5.9	0.90	GR69R39 GRF69R39	4P	13	250	98.99			7.4	1.80	5.1	626	261	7.3	1.00	5.7	561	234	7.9	1.10	6.7	480	200	8.6	1.30	2.6	1301	255.71	27	2.30	GR99 GRF99	8P	15			226	89.71	7.4	1.95	2.7	1227	241.25	27	2.40	3.1	1100	216.28	27	2.70	3.5	948	186.30	27	3.10	GR99 GRF99			6P	17	203	80.55	7.4	2.20	3.1	1093	289.74	27	2.70	3.5	964	255.71	27	3.00	3.7	910	241.25	27	3.25	4.1	816	216.28	27			3.65	GR89 GRF89	8P	19	173	68.54	5.6	1.70	3.0	1106	217.48	18	1.40	3.2	1051	206.60	19	1.50	3.6	929	182.55	19	1.70	3.6	934	247.61	19	1.65	4.1	820	217.48	19	1.85	4.3	779	206.60	19	1.95	4.9	689	182.55	19	2.25	5.7	588	156.01	19	2.60	6.2	539	143.03	19	2.85	4.5	741			145.67	10	1.10	GR79 GRF79	8P	21	162	64.21	5.7	1.80	4.8	704	138.39	10	1.15	5.4	618	121.42	11	1.35			5.3	628	166.59	11	1.30	GR79 GRF79	6P	23	143	56.73	5.7	2.10	6.1	549	145.67	11	1.50	6.4	522	138.39	11	1.55	6.8	493	195.24			11	1.70	8.0	420	166.59	12	2.00	GR79 GRF79	4P	25	133	52.69	5.7	2.20	9.1	368	145.67	12	2.20	9.6	349	138.39	12	2.30	11	306	121.42	12	2.60	13	260	102.99	12	3.10	14	235	92.97	12	3.50	5.6	596	158.14	6.9	0.95	6.5	519	137.67	7.8	1.10	6.9	486	128.97	8.1	1.20	7.8			430	113.94	8.6	1.35	6.7	483	199.81	8.1	1.15	GR69 GRF69	6P	28	121	47.75	5.5	2.50	7.2	445	184.07	8.4	1.25	8.4	382	158.14	8.8	1.50	9.7	347	137.67	9.1	1.70	10	326	128.97	9.3	1.80	12	288	113.94	9.4	2.10	13	267	105.83	10	2.20	14	242	95.91	10	2.40	15	217	86.11	10	2.70	18	187	74.17	10	3.20	19	176	69.75	10	3.40	22	155	61.26	13	3.80	23	144	56.89	10	4.10	6.9	486	128.77	6.2	0.90	7.4	455	120.63	6.7	0.95	8.4	402	106.58	6.9			1.10	9.0	373	98.99	7.0	1.15	39	85	33.79	5.0	2.80	GR49 GRF49	4P	31	108	42.87	5.4	2.70	43	79	31.12	4.9	2.80	50	67	26.74	4.7	4.40	57	59			23.28	4.5	5.00	61	55	21.81	4.4	5.40	15	229	90.77	4.0	0.85	GR39 GRF39	4P	36	93	36.72	4.9	2.10			16	214	84.61	4.5	0.90	18	187	73.96	4.8	1.05	19	175	69.33	4.9	1.15	GR39 GRF39	4P	41	82	32.40	4.8	2.40	22	154	61.18	5.1	1.30	24	141	55.76	5.3	1.40	28	121	48.08	5.3	1.60	30	113	44.81	5.2	1.75	34	99	39.17	5.0	2.00	36	93	36.72	4.9	2.10	41	82	32.40			4.8	2.40	46	73	28.73	4.6	2.70	54	62	24.42	4.4	3.20	47	71	28.32	4.6	2.80	GR39 GRF39	4P	51	66	26.03	4.5	2.80	51	66	26.03	4.5	2.80	60			56	22.27	4.3	3.50	69	49	19.31	4.1	4.10	74	46	18.05	4.0	4.30	85			39	15.60	3.8	5.00	GR39 GRF39	4P	100	33	13.25	3.7	5.60	112	30	11.83	3.5	6.00	22	155	61.30	3.7	0.85	GR29 GRF29	4P	24	141	55.87	3.6	0.90	24	141	55.87	3.6	0.90	28	122	48.17	3.5	1.05	30	113	44.90	3.4	1.15	34	99	39.25	3.3	1.30	36	93	36.79	3.3	1.40	41	82	32.47	3.2	1.55	46	73	28.78	3.1	1.75	54	62	24.47	3.0	2.10																																							
4.6	693	289	11	1.25			5.1	623	260	11	1.40			5.9	537	224	11	1.60	6.8	472	197	12	1.80	7.9	405	169	12	2.10	8.9	357	149	12	2.40	12	269	106.58	7.3	1.65	4.5	705	294	5.9	0.90	GR69R39 GRF69R39	4P	13	250	98.99			7.4	1.80	5.1			626	261	7.3	1.00	5.7	561	234	7.9	1.10	6.7	480	200	8.6	1.30	2.6	1301	255.71	27	2.30	GR99 GRF99	8P	15			226			89.71	7.4	1.95	2.7	1227	241.25	27	2.40	3.1	1100	216.28	27	2.70	3.5	948	186.30	27	3.10	GR99 GRF99					6P	17	203	80.55	7.4	2.20	3.1	1093	289.74	27	2.70	3.5	964	255.71	27	3.00	3.7	910	241.25	27	3.25	4.1	816	216.28			27			3.65	GR89 GRF89	8P	19	173	68.54	5.6	1.70	3.0	1106	217.48	18	1.40	3.2	1051	206.60	19	1.50	3.6	929	182.55	19	1.70	3.6	934	247.61	19	1.65	4.1	820	217.48	19	1.85	4.3	779	206.60	19	1.95	4.9	689	182.55	19	2.25	5.7	588	156.01	19	2.60	6.2	539	143.03	19			2.85	4.5	741			145.67	10	1.10	GR79 GRF79	8P	21	162	64.21	5.7	1.80	4.8	704	138.39	10	1.15			5.4	618	121.42	11	1.35			5.3	628	166.59	11	1.30	GR79 GRF79	6P	23	143	56.73	5.7	2.10	6.1	549	145.67	11	1.50	6.4			522	138.39	11	1.55	6.8	493	195.24			11	1.70	8.0	420	166.59	12	2.00	GR79 GRF79	4P	25	133	52.69	5.7	2.20	9.1	368	145.67	12	2.20	9.6	349	138.39	12	2.30	11	306	121.42	12	2.60	13	260	102.99	12	3.10	14	235	92.97	12	3.50	5.6	596	158.14	6.9	0.95	6.5	519			137.67	7.8	1.10	6.9	486	128.97	8.1	1.20	7.8			430	113.94	8.6	1.35	6.7	483	199.81	8.1	1.15	GR69 GRF69	6P	28	121	47.75	5.5	2.50	7.2	445	184.07	8.4	1.25	8.4	382	158.14	8.8	1.50	9.7	347	137.67	9.1	1.70	10	326	128.97	9.3	1.80	12	288	113.94	9.4	2.10	13	267	105.83	10	2.20	14	242	95.91	10	2.40	15	217	86.11	10	2.70	18	187	74.17	10	3.20	19	176	69.75	10	3.40	22	155	61.26	13	3.80	23	144	56.89	10	4.10	6.9	486	128.77			6.2	0.90	7.4	455	120.63	6.7	0.95	8.4	402	106.58	6.9			1.10	9.0	373	98.99	7.0	1.15	39	85	33.79	5.0	2.80	GR49 GRF49	4P	31	108	42.87	5.4			2.70	43	79	31.12	4.9	2.80	50	67	26.74	4.7	4.40	57	59			23.28	4.5	5.00	61	55			21.81	4.4	5.40	15	229	90.77	4.0	0.85	GR39 GRF39	4P	36	93	36.72	4.9	2.10			16	214	84.61	4.5	0.90	18	187	73.96	4.8	1.05	19	175	69.33	4.9	1.15	GR39 GRF39	4P	41	82	32.40	4.8	2.40	22	154	61.18	5.1	1.30	24	141	55.76	5.3	1.40	28	121	48.08	5.3	1.60	30			113	44.81	5.2	1.75	34	99	39.17	5.0	2.00	36	93	36.72	4.9	2.10	41	82	32.40			4.8	2.40	46	73	28.73	4.6	2.70	54	62	24.42	4.4			3.20	47	71	28.32	4.6	2.80	GR39 GRF39	4P	51	66	26.03	4.5	2.80	51	66			26.03	4.5	2.80	60			56	22.27	4.3	3.50	69	49	19.31	4.1	4.10	74	46	18.05	4.0	4.30	85			39	15.60	3.8	5.00	GR39 GRF39	4P	100	33	13.25	3.7	5.60	112	30	11.83	3.5	6.00	22	155	61.30	3.7	0.85	GR29 GRF29	4P	24	141	55.87	3.6	0.90	24	141	55.87	3.6	0.90	28	122	48.17	3.5	1.05	30	113	44.90	3.4	1.15	34	99	39.25	3.3	1.30	36	93	36.79	3.3	1.40	41	82	32.47	3.2	1.55	46	73	28.78	3.1	1.75	54	62	24.47	3.0	2.10																
5.1	623	260	11	1.40			5.9	537	224	11	1.60			6.8	472	197	12	1.80	7.9	405	169	12	2.10	8.9	357	149	12	2.40	12	269	106.58	7.3	1.65	4.5	705	294	5.9	0.90	GR69R39 GRF69R39	4P	13	250	98.99			7.4	1.80	5.1			626	261	7.3			1.00	5.7	561	234	7.9	1.10	6.7	480	200	8.6	1.30	2.6	1301	255.71	27	2.30	GR99 GRF99	8P	15			226			89.71	7.4	1.95	2.7	1227	241.25	27	2.40	3.1	1100	216.28	27	2.70	3.5	948	186.30	27	3.10	GR99 GRF99	6P	17							203	80.55	7.4	2.20	3.1	1093	289.74	27	2.70	3.5	964	255.71	27	3.00	3.7	910	241.25	27	3.25	4.1	816	216.28	27			3.65			GR89 GRF89			8P	19	173	68.54	5.6	1.70	3.0	1106	217.48	18	1.40	3.2	1051	206.60	19	1.50	3.6	929	182.55	19	1.70	3.6	934	247.61	19	1.65	4.1	820	217.48	19	1.85	4.3	779	206.60	19	1.95	4.9	689	182.55	19	2.25	5.7	588	156.01	19	2.60	6.2	539	143.03	19	2.85	4.5	741	145.67			10	1.10	GR79 GRF79			8P	21	162	64.21	5.7	1.80	4.8	704	138.39	10			1.15	5.4	618	121.42	11			1.35	5.3	628	166.59	11			1.30	GR79 GRF79	6P	23	143	56.73	5.7	2.10	6.1	549	145.67			11	1.50	6.4	522	138.39	11	1.55			6.8	493	195.24	11	1.70	8.0	420			166.59	12	2.00	GR79 GRF79	4P	25	133	52.69	5.7	2.20	9.1	368	145.67	12	2.20	9.6	349	138.39	12	2.30	11	306	121.42	12	2.60	13	260	102.99	12	3.10	14	235	92.97	12	3.50	5.6	596			158.14	6.9	0.95	6.5	519	137.67	7.8	1.10	6.9			486	128.97	8.1	1.20	7.8	430	113.94	8.6	1.35			6.7	483	199.81	8.1	1.15	GR69 GRF69	6P	28	121	47.75	5.5	2.50	7.2	445	184.07	8.4	1.25	8.4	382	158.14	8.8	1.50	9.7	347	137.67	9.1	1.70	10	326	128.97	9.3	1.80	12	288	113.94	9.4	2.10	13	267	105.83	10	2.20	14	242	95.91	10	2.40	15	217	86.11	10	2.70	18	187	74.17	10	3.20	19	176	69.75	10	3.40	22	155	61.26	13	3.80	23			144	56.89	10	4.10	6.9	486	128.77	6.2	0.90	7.4	455			120.63	6.7	0.95	8.4	402	106.58	6.9	1.10	9.0	373	98.99			7.0	1.15	39	85	33.79	5.0	2.80	GR49 GRF49	4P	31	108	42.87	5.4	2.70	43	79	31.12	4.9	2.80			50	67	26.74	4.7	4.40			57	59	23.28	4.5	5.00	61	55	21.81			4.4	5.40	15	229	90.77			4.0	0.85	GR39 GRF39	4P	36	93	36.72	4.9	2.10	16	214	84.61	4.5	0.90	18			187	73.96	4.8	1.05	19	175	69.33	4.9	1.15	GR39 GRF39	4P	41	82	32.40	4.8	2.40	22	154	61.18	5.1	1.30			24	141	55.76	5.3	1.40	28	121	48.08	5.3	1.60	30	113	44.81	5.2	1.75	34	99			39.17	5.0	2.00	36	93	36.72	4.9	2.10	41	82	32.40			4.8	2.40	46	73	28.73	4.6			2.70	54	62	24.42	4.4	3.20	47			71	28.32	4.6	2.80			GR39 GRF39	4P	51	66	26.03	4.5	2.80	51	66	26.03	4.5	2.80	60	56	22.27			4.3	3.50	69	49			19.31	4.1	4.10	74	46	18.05	4.0	4.30	85	39	15.60	3.8	5.00	GR39 GRF39	4P			100	33	13.25	3.7	5.60	112	30	11.83	3.5	6.00	22	155	61.30	3.7	0.85	GR29 GRF29	4P	24	141	55.87	3.6	0.90	24	141	55.87	3.6	0.90	28	122	48.17	3.5	1.05	30	113	44.90	3.4	1.15	34	99	39.25	3.3	1.30	36	93	36.79	3.3	1.40	41	82	32.47	3.2	1.55	46	73	28.78	3.1	1.75	54	62	24.47	3.0
5.9	537	224	11	1.60			6.8	472	197	12	1.80			7.9	405	169	12	2.10	8.9	357	149	12	2.40	12	269	106.58	7.3	1.65	4.5	705	294	5.9	0.90	GR69R39 GRF69R39	4P	13	250	98.99			7.4	1.80	5.1			626	261	7.3			1.00	5.7	561	234	7.9	1.10	6.7	480	200	8.6	1.30	2.6	1301	255.71	27	2.30	GR99 GRF99	8P	15	226	89.71			7.4			1.95	2.7	1227	241.25	27	2.40	3.1	1100	216.28	27	2.70	3.5	948	186.30	27	3.10	GR99 GRF99	6P	17	203	80.55			7.4			2.20	3.1			1093	289.74	27	2.70	3.5	964	255.71	27	3.00	3.7	910	241.25	27	3.25	4.1	816	216.28	27	3.65	GR89 GRF89	8P	19	173			68.54							5.6	1.70	3.0	1106	217.48	18	1.40	3.2	1051	206.60	19	1.50	3.6	929	182.55	19	1.70	3.6	934	247.61	19	1.65	4.1	820	217.48	19	1.85	4.3	779	206.60	19	1.95	4.9	689	182.55	19	2.25	5.7	588	156.01	19	2.60	6.2	539	143.03	19	2.85	4.5	741	145.67	10	1.10	GR79 GRF79	8P	21	162	64.21					5.7	1.80	4.8	704	138.39	10	1.15	5.4	618	121.42	11	1.35	5.3	628	166.59	11			1.30	GR79 GRF79	6P	23	143			56.73			5.7	2.10	6.1	549	145.67	11	1.50	6.4			522	138.39	11	1.55	6.8	493	195.24			11	1.70	8.0	420	166.59	12	2.00			GR79 GRF79	4P	25			133	52.69	5.7	2.20	9.1	368	145.67	12	2.20	9.6	349	138.39	12	2.30	11	306	121.42	12	2.60	13	260	102.99	12	3.10	14	235	92.97	12	3.50	5.6	596	158.14			6.9	0.95	6.5	519	137.67	7.8	1.10	6.9	486			128.97	8.1	1.20	7.8	430	113.94	8.6	1.35	6.7			483	199.81	8.1	1.15	GR69 GRF69			6P	28	121	47.75	5.5	2.50	7.2	445	184.07	8.4	1.25	8.4	382	158.14	8.8	1.50	9.7	347	137.67	9.1	1.70	10	326	128.97	9.3	1.80	12	288	113.94	9.4	2.10	13	267	105.83	10	2.20	14	242	95.91	10	2.40	15	217	86.11	10	2.70	18	187	74.17	10	3.20	19	176	69.75	10	3.40	22	155	61.26	13	3.80			23	144	56.89	10	4.10	6.9	486	128.77	6.2	0.90	7.4			455	120.63	6.7	0.95	8.4	402	106.58	6.9	1.10	9.0	373			98.99	7.0	1.15	39	85	33.79	5.0			2.80	GR49 GRF49	4P	31	108	42.87	5.4	2.70	43	79	31.12	4.9	2.80	50	67	26.74	4.7			4.40	57	59	23.28	4.5	5.00	61	55			21.81	4.4	5.40	15	229			90.77	4.0			0.85	GR39 GRF39	4P	36	93	36.72	4.9	2.10	16	214	84.61			4.5	0.90	18	187	73.96	4.8	1.05	19	175			69.33	4.9	1.15	GR39 GRF39	4P	41	82	32.40	4.8	2.40			22	154	61.18	5.1	1.30	24	141	55.76	5.3	1.40	28	121	48.08	5.3	1.60	30	113			44.81	5.2	1.75	34	99	39.17	5.0	2.00	36	93	36.72	4.9	2.10	41	82	32.40	4.8	2.40	46			73	28.73	4.6	2.70	54	62	24.42			4.4	3.20	47	71					28.32	4.6	2.80	GR39 GRF39	4P	51	66	26.03	4.5	2.80	51	66	26.03			4.5	2.80	60	56			22.27	4.3	3.50	69	49	19.31	4.1	4.10	74	46	18.05	4.0	4.30					85	39	15.60	3.8	5.00	GR39 GRF39	4P	100	33	13.25	3.7	5.60	112	30	11.83			3.5	6.00	22	155	61.30	3.7	0.85	GR29 GRF29	4P	24	141	55.87	3.6	0.90	24	141	55.87	3.6	0.90	28	122	48.17	3.5	1.05	30	113	44.90	3.4	1.15	34	99	39.25	3.3	1.30	36	93	36.79	3.3	1.40	41	82	32.47	3.2	1.55
6.8	472	197	12	1.80			7.9	405	169	12	2.10			8.9	357	149	12	2.40	12	269	106.58	7.3	1.65	4.5	705	294	5.9	0.90	GR69R39 GRF69R39	4P	13	250	98.99			7.4	1.80	5.1			626	261	7.3			1.00	5.7	561	234	7.9	1.10	6.7	480	200	8.6	1.30	2.6	1301	255.71	27	2.30	GR99 GRF99	8P	15	226	89.71			7.4	1.95	2.7			1227	241.25	27	2.40	3.1	1100	216.28	27	2.70	3.5	948	186.30	27	3.10	GR99 GRF99	6P	17	203	80.55			7.4	2.20	3.1			1093		289.74	27	2.70	3.5		964	255.71	27	3.00	3.7	910	241.25	27	3.25	4.1	816	216.28	27	3.65	GR89 GRF89	8P	19	173	68.54			5.6	1.70			3.0							1106	217.48	18	1.40	3.2	1051	206.60	19	1.50	3.6	929	182.55	19	1.70	3.6	934	247.61	19	1.65	4.1	820	217.48	19	1.85	4.3	779	206.60	19	1.95	4.9	689	182.55	19	2.25	5.7	588	156.01	19	2.60	6.2	539	143.03	19	2.85	4.5	741	145.67	10	1.10	GR79 GRF79	8P	21			162	64.21	5.7		1.80	4.8		704	138.39	10	1.15	5.4	618	121.42	11	1.35	5.3	628	166.59	11	1.30	GR79 GRF79	6P	23	143	56.73			5.7	2.10			6.1			549	145.67	11	1.50	6.4	522	138.39	11			1.55	6.8	493	195.24	11	1.70	8.0			420	166.59	12	2.00	GR79 GRF79	4P	25					133			52.69	5.7	2.20	9.1	368	145.67	12	2.20	9.6	349	138.39	12	2.30	11	306	121.42	12	2.60	13	260	102.99	12	3.10	14	235	92.97	12	3.50	5.6	596	158.14	6.9			0.95	6.5	519	137.67	7.8	1.10	6.9	486	128.97			8.1	1.20	7.8	430	113.94	8.6	1.35	6.7	483			199.81	8.1	1.15	GR69 GRF69					6P	28	121	47.75	5.5	2.50	7.2	445	184.07	8.4	1.25	8.4	382	158.14	8.8	1.50	9.7	347	137.67	9.1	1.70	10	326	128.97	9.3	1.80	12	288	113.94	9.4	2.10	13	267	105.83	10	2.20	14	242	95.91	10	2.40	15	217	86.11	10	2.70	18	187	74.17	10	3.20	19	176	69.75	10	3.40	22	155	61.26	13	3.80	23	144	56.89	10	4.10	6.9	486	128.77	6.2	0.90	7.4	455			120.63	6.7	0.95	8.4	402	106.58	6.9	1.10	9.0	373	98.99			7.0	1.15	39	85	33.79	5.0	2.80			GR49 GRF49			4P	31	108	42.87	5.4	2.70	43	79	31.12	4.9	2.80	50	67	26.74			4.7	4.40	57	59	23.28	4.5	5.00	61	55	21.81	4.4	5.40	15	229	90.77			4.0	0.85			GR39 GRF39			4P	36	93	36.72	4.9	2.10	16	214			84.61	4.5	0.90	18	187	73.96	4.8	1.05	19			175	69.33	4.9			1.15	GR39 GRF39	4P	41	82	32.40	4.8	2.40	22	154	61.18	5.1	1.30	24	141	55.76	5.3	1.40	28	121	48.08	5.3	1.60	30			113	44.81	5.2	1.75	34	99	39.17	5.0	2.00	36	93	36.72	4.9	2.10	41	82	32.40	4.8	2.40			46	73	28.73	4.6	2.70	54	62			24.42	4.4	3.20	47	71	28.32			4.6	2.80	GR39 GRF39			4P	51	66	26.03	4.5	2.80	51	66			26.03	4.5	2.80	60			56	22.27	4.3	3.50	69	49	19.31	4.1	4.10	74	46	18.05	4.0					4.30	85	39	15.60	3.8			5.00	GR39 GRF39	4P	100	33	13.25	3.7	5.60			112	30	11.83	3.5	6.00	22	155			61.30	3.7	0.85	GR29 GRF29	4P	24	141	55.87	3.6	0.90	24	141	55.87	3.6	0.90	28	122	48.17	3.5	1.05	30	113	44.90	3.4	1.15	34	99	39.25	3.3	1.30	36	93	36.79	3.3	1.40
7.9	405	169	12	2.10			8.9	357	149	12	2.40			12	269	106.58	7.3	1.65	4.5	705	294	5.9	0.90	GR69R39 GRF69R39	4P	13	250	98.99			7.4	1.80	5.1			626	261	7.3			1.00	5.7	561	234	7.9	1.10	6.7	480	200	8.6	1.30	2.6	1301	255.71	27	2.30	GR99 GRF99	8P	15	226	89.71			7.4	1.95	2.7			1227	241.25	27	2.40	3.1	1100	216.28	27	2.70	3.5	948	186.30	27	3.10	GR99 GRF99	6P	17	203	80.55			7.4	2.20	3.1			1093	289.74	27			2.70	3.5	964	255.71	27	3.00	3.7	910	241.25	27	3.25	4.1	816	216.28	27	3.65	GR89 GRF89	8P	19	173	68.54			5.6	1.70	3.0			1106	217.48			18							1.40	3.2	1051	206.60	19	1.50	3.6	929	182.55	19	1.70	3.6	934	247.61	19	1.65	4.1	820	217.48	19	1.85	4.3	779	206.60	19	1.95	4.9	689	182.55	19	2.25	5.7	588	156.01	19	2.60	6.2	539	143.03	19	2.85	4.5	741	145.67	10	1.10	GR79 GRF79	8P	21			162			64.21	5.7	1.80	4.8	704	138.39	10	1.15	5.4	618	121.42	11	1.35	5.3	628	166.59	11	1.30	GR79 GRF79	6P	23			143	56.73	5.7			2.10	6.1	549	145.67	11			1.50	6.4	522	138.39	11	1.55	6.8	493			195.24	11	1.70	8.0	420	166.59	12			2.00	GR79 GRF79	4P	25			133					52.69			5.7	2.20	9.1	368	145.67	12	2.20	9.6	349	138.39	12	2.30	11	306	121.42	12	2.60	13	260	102.99	12	3.10	14	235	92.97	12	3.50	5.6	596	158.14	6.9	0.95			6.5	519	137.67	7.8	1.10	6.9	486	128.97	8.1			1.20	7.8	430	113.94	8.6	1.35	6.7	483	199.81			8.1	1.15	GR69 GRF69							6P	28	121	47.75	5.5	2.50	7.2	445	184.07	8.4	1.25	8.4	382	158.14	8.8	1.50	9.7	347	137.67	9.1	1.70	10	326	128.97	9.3	1.80	12	288	113.94	9.4	2.10	13	267	105.83	10	2.20	14	242	95.91	10	2.40	15	217	86.11	10	2.70	18	187	74.17	10	3.20	19	176	69.75	10	3.40	22	155	61.26	13	3.80	23	144	56.89	10	4.10	6.9	486	128.77	6.2	0.90	7.4	455	120.63	6.7	0.95	8.4	402	106.58	6.9	1.10	9.0	373	98.99	7.0			1.15	39	85	33.79	5.0	2.80	GR49 GRF49							4P	31	108	42.87	5.4	2.70	43	79	31.12	4.9	2.80	50	67			26.74	4.7	4.40	57	59	23.28	4.5	5.00	61	55	21.81	4.4	5.40	15	229			90.77	4.0	0.85	GR39 GRF39					4P	36	93	36.72	4.9	2.10	16			214	84.61	4.5	0.90	18	187	73.96	4.8	1.05			19	175	69.33			4.9			1.15	GR39 GRF39	4P	41	82	32.40	4.8	2.40	22	154	61.18	5.1	1.30	24	141	55.76	5.3	1.40	28	121	48.08	5.3	1.60	30	113	44.81	5.2	1.75	34	99	39.17	5.0	2.00	36	93	36.72	4.9	2.10	41	82	32.40	4.8			2.40	46	73	28.73	4.6	2.70	54			62	24.42	4.4	3.20	47	71			28.32	4.6					2.80	GR39 GRF39	4P	51	66	26.03	4.5			2.80	51	66	26.03	4.5	2.80	60	56	22.27	4.3	3.50	69	49	19.31	4.1	4.10	74	46	18.05					4.0	4.30	85	39	15.60			3.8			5.00	GR39 GRF39	4P	100	33			13.25	3.7	5.60	112	30	11.83	3.5			6.00	22	155			61.30	3.7	0.85	GR29 GRF29	4P	24	141	55.87	3.6	0.90	24	141	55.87	3.6	0.90	28	122	48.17	3.5	1.05	30	113	44.90	3.4	1.15	34	99	39.25	3.3	1.30
8.9	357	149	12	2.40			12	269	106.58	7.3	1.65			4.5	705	294	5.9	0.90	GR69R39 GRF69R39	4P	13	250	98.99			7.4	1.80	5.1			626	261	7.3			1.00	5.7	561	234	7.9	1.10	6.7	480	200	8.6	1.30	2.6	1301	255.71	27	2.30	GR99 GRF99	8P	15	226	89.71			7.4	1.95	2.7			1227	241.25	27	2.40	3.1	1100	216.28	27	2.70	3.5	948	186.30	27	3.10	GR99 GRF99	6P	17	203	80.55			7.4	2.20	3.1			1093	289.74	27			2.70	3.5	964	255.71	27	3.00	3.7	910	241.25	27	3.25	4.1	816	216.28	27	3.65	GR89 GRF89	8P	19	173	68.54			5.6	1.70	3.0			1106	217.48	18			1.40	3.2	1051	206.60	19							1.50	3.6	929	182.55	19	1.70	3.6	934	247.61	19	1.65	4.1	820	217.48	19	1.85	4.3	779	206.60	19	1.95	4.9	689	182.55	19	2.25	5.7	588	156.01	19	2.60	6.2	539	143.03	19	2.85	4.5	741	145.67	10	1.10	GR79 GRF79	8P	21	162	64.21			5.7			1.80	4.8	704	138.39	10	1.15	5.4	618	121.42	11	1.35	5.3	628	166.59	11	1.30	GR79 GRF79	6P	23	143	56.73			5.7			2.10	6.1	549			145.67	11	1.50	6.4	522	138.39	11	1.55	6.8	493	195.24	11	1.70	8.0	420			166.59	12	2.00	GR79 GRF79	4P	25	133			52.69			5.7			2.20					9.1			368	145.67	12	2.20	9.6	349	138.39	12	2.30	11	306	121.42	12	2.60	13	260	102.99	12	3.10	14	235	92.97	12	3.50	5.6	596	158.14	6.9	0.95	6.5	519	137.67			7.8	1.10	6.9	486	128.97	8.1	1.20	7.8	430			113.94	8.6	1.35	6.7	483	199.81	8.1	1.15	GR69 GRF69			6P	28									121	47.75	5.5	2.50	7.2	445	184.07	8.4	1.25	8.4	382	158.14	8.8	1.50	9.7	347	137.67	9.1	1.70	10	326	128.97	9.3	1.80	12	288	113.94	9.4	2.10	13	267	105.83	10	2.20	14	242	95.91	10	2.40	15	217	86.11	10	2.70	18	187	74.17	10	3.20	19	176	69.75	10	3.40	22	155	61.26	13	3.80	23	144	56.89	10	4.10	6.9	486	128.77	6.2	0.90	7.4	455	120.63	6.7	0.95	8.4	402	106.58	6.9	1.10	9.0	373	98.99	7.0	1.15	39	85	33.79	5.0	2.80	GR49 GRF49	4P	31									108	42.87	5.4	2.70	43	79	31.12	4.9	2.80	50	67	26.74			4.7	4.40	57	59	23.28	4.5	5.00	61	55	21.81	4.4	5.40	15	229	90.77			4.0	0.85	GR39 GRF39			4P	36			93	36.72	4.9	2.10	16	214			84.61	4.5	0.90	18	187	73.96	4.8	1.05	19			175	69.33	4.9			1.15			GR39 GRF39			4P	41	82	32.40	4.8	2.40	22	154	61.18	5.1	1.30	24	141	55.76	5.3	1.40	28	121	48.08	5.3	1.60	30	113	44.81	5.2	1.75	34	99	39.17	5.0	2.00	36	93	36.72	4.9	2.10	41	82	32.40	4.8	2.40	46	73	28.73	4.6	2.70	54	62			24.42	4.4	3.20	47	71	28.32			4.6	2.80					GR39 GRF39			4P	51	66	26.03			4.5	2.80	51	66	26.03	4.5	2.80	60	56	22.27	4.3	3.50	69	49	19.31	4.1	4.10	74	46	18.05	4.0			4.30	85	39	15.60	3.8			5.00			GR39 GRF39			4P	100			33	13.25	3.7	5.60	112	30	11.83			3.5	6.00	22			155	61.30	3.7			0.85	GR29 GRF29	4P	24	141	55.87	3.6	0.90	24	141	55.87	3.6	0.90	28	122	48.17	3.5	1.05	30	113	44.90	3.4	1.15	34	99
12	269	106.58	7.3	1.65																																																																																																																																																																																																																																																																																																																																																																																																																																																																																																																																																																																																																																																																									
4.5	705	294	5.9	0.90	GR69R39 GRF69R39	4P	13	250	98.99	7.4	1.80																																																																																																																																																																																																																																																																																																																																																																																																																																																																																																																																																																																																																																																																		
5.1	626	261	7.3	1.00																																																																																																																																																																																																																																																																																																																																																																																																																																																																																																																																																																																																																																																																									
5.7	561	234	7.9	1.10																																																																																																																																																																																																																																																																																																																																																																																																																																																																																																																																																																																																																																																																									
6.7	480	200	8.6	1.30																																																																																																																																																																																																																																																																																																																																																																																																																																																																																																																																																																																																																																																																									
2.6	1301	255.71	27	2.30	GR99 GRF99	8P	15	226	89.71	7.4	1.95																																																																																																																																																																																																																																																																																																																																																																																																																																																																																																																																																																																																																																																																		
2.7	1227	241.25	27	2.40																																																																																																																																																																																																																																																																																																																																																																																																																																																																																																																																																																																																																																																																									
3.1	1100	216.28	27	2.70																																																																																																																																																																																																																																																																																																																																																																																																																																																																																																																																																																																																																																																																									
3.5	948	186.30	27	3.10	GR99 GRF99	6P	17	203	80.55	7.4	2.20																																																																																																																																																																																																																																																																																																																																																																																																																																																																																																																																																																																																																																																																		
3.1	1093	289.74	27	2.70																																																																																																																																																																																																																																																																																																																																																																																																																																																																																																																																																																																																																																																																									
3.5	964	255.71	27	3.00																																																																																																																																																																																																																																																																																																																																																																																																																																																																																																																																																																																																																																																																									
3.7	910	241.25	27	3.25																																																																																																																																																																																																																																																																																																																																																																																																																																																																																																																																																																																																																																																																									
4.1	816	216.28	27	3.65	GR89 GRF89	8P	19	173	68.54	5.6	1.70																																																																																																																																																																																																																																																																																																																																																																																																																																																																																																																																																																																																																																																																		
3.0	1106	217.48	18	1.40																																																																																																																																																																																																																																																																																																																																																																																																																																																																																																																																																																																																																																																																									
3.2	1051	206.60	19	1.50																																																																																																																																																																																																																																																																																																																																																																																																																																																																																																																																																																																																																																																																									
3.6	929	182.55	19	1.70																																																																																																																																																																																																																																																																																																																																																																																																																																																																																																																																																																																																																																																																									
3.6	934	247.61	19	1.65																																																																																																																																																																																																																																																																																																																																																																																																																																																																																																																																																																																																																																																																									
4.1	820	217.48	19	1.85																																																																																																																																																																																																																																																																																																																																																																																																																																																																																																																																																																																																																																																																									
4.3	779	206.60	19	1.95																																																																																																																																																																																																																																																																																																																																																																																																																																																																																																																																																																																																																																																																									
4.9	689	182.55	19	2.25																																																																																																																																																																																																																																																																																																																																																																																																																																																																																																																																																																																																																																																																									
5.7	588	156.01	19	2.60																																																																																																																																																																																																																																																																																																																																																																																																																																																																																																																																																																																																																																																																									
6.2	539	143.03	19	2.85																																																																																																																																																																																																																																																																																																																																																																																																																																																																																																																																																																																																																																																																									
4.5	741	145.67	10	1.10	GR79 GRF79	8P	21	162	64.21	5.7	1.80																																																																																																																																																																																																																																																																																																																																																																																																																																																																																																																																																																																																																																																																		
4.8	704	138.39	10	1.15																																																																																																																																																																																																																																																																																																																																																																																																																																																																																																																																																																																																																																																																									
5.4	618	121.42	11	1.35																																																																																																																																																																																																																																																																																																																																																																																																																																																																																																																																																																																																																																																																									
5.3	628	166.59	11	1.30	GR79 GRF79	6P	23	143	56.73	5.7	2.10																																																																																																																																																																																																																																																																																																																																																																																																																																																																																																																																																																																																																																																																		
6.1	549	145.67	11	1.50																																																																																																																																																																																																																																																																																																																																																																																																																																																																																																																																																																																																																																																																									
6.4	522	138.39	11	1.55																																																																																																																																																																																																																																																																																																																																																																																																																																																																																																																																																																																																																																																																									
6.8	493	195.24	11	1.70																																																																																																																																																																																																																																																																																																																																																																																																																																																																																																																																																																																																																																																																									
8.0	420	166.59	12	2.00	GR79 GRF79	4P	25	133	52.69	5.7	2.20																																																																																																																																																																																																																																																																																																																																																																																																																																																																																																																																																																																																																																																																		
9.1	368	145.67	12	2.20																																																																																																																																																																																																																																																																																																																																																																																																																																																																																																																																																																																																																																																																									
9.6	349	138.39	12	2.30																																																																																																																																																																																																																																																																																																																																																																																																																																																																																																																																																																																																																																																																									
11	306	121.42	12	2.60																																																																																																																																																																																																																																																																																																																																																																																																																																																																																																																																																																																																																																																																									
13	260	102.99	12	3.10																																																																																																																																																																																																																																																																																																																																																																																																																																																																																																																																																																																																																																																																									
14	235	92.97	12	3.50																																																																																																																																																																																																																																																																																																																																																																																																																																																																																																																																																																																																																																																																									
5.6	596	158.14	6.9	0.95																																																																																																																																																																																																																																																																																																																																																																																																																																																																																																																																																																																																																																																																									
6.5	519	137.67	7.8	1.10																																																																																																																																																																																																																																																																																																																																																																																																																																																																																																																																																																																																																																																																									
6.9	486	128.97	8.1	1.20																																																																																																																																																																																																																																																																																																																																																																																																																																																																																																																																																																																																																																																																									
7.8	430	113.94	8.6	1.35																																																																																																																																																																																																																																																																																																																																																																																																																																																																																																																																																																																																																																																																									
6.7	483	199.81	8.1	1.15	GR69 GRF69	6P	28	121	47.75	5.5	2.50																																																																																																																																																																																																																																																																																																																																																																																																																																																																																																																																																																																																																																																																		
7.2	445	184.07	8.4	1.25																																																																																																																																																																																																																																																																																																																																																																																																																																																																																																																																																																																																																																																																									
8.4	382	158.14	8.8	1.50																																																																																																																																																																																																																																																																																																																																																																																																																																																																																																																																																																																																																																																																									
9.7	347	137.67	9.1	1.70																																																																																																																																																																																																																																																																																																																																																																																																																																																																																																																																																																																																																																																																									
10	326	128.97	9.3	1.80																																																																																																																																																																																																																																																																																																																																																																																																																																																																																																																																																																																																																																																																									
12	288	113.94	9.4	2.10																																																																																																																																																																																																																																																																																																																																																																																																																																																																																																																																																																																																																																																																									
13	267	105.83	10	2.20																																																																																																																																																																																																																																																																																																																																																																																																																																																																																																																																																																																																																																																																									
14	242	95.91	10	2.40																																																																																																																																																																																																																																																																																																																																																																																																																																																																																																																																																																																																																																																																									
15	217	86.11	10	2.70																																																																																																																																																																																																																																																																																																																																																																																																																																																																																																																																																																																																																																																																									
18	187	74.17	10	3.20																																																																																																																																																																																																																																																																																																																																																																																																																																																																																																																																																																																																																																																																									
19	176	69.75	10	3.40																																																																																																																																																																																																																																																																																																																																																																																																																																																																																																																																																																																																																																																																									
22	155	61.26	13	3.80																																																																																																																																																																																																																																																																																																																																																																																																																																																																																																																																																																																																																																																																									
23	144	56.89	10	4.10																																																																																																																																																																																																																																																																																																																																																																																																																																																																																																																																																																																																																																																																									
6.9	486	128.77	6.2	0.90																																																																																																																																																																																																																																																																																																																																																																																																																																																																																																																																																																																																																																																																									
7.4	455	120.63	6.7	0.95																																																																																																																																																																																																																																																																																																																																																																																																																																																																																																																																																																																																																																																																									
8.4	402	106.58	6.9	1.10																																																																																																																																																																																																																																																																																																																																																																																																																																																																																																																																																																																																																																																																									
9.0	373	98.99	7.0	1.15																																																																																																																																																																																																																																																																																																																																																																																																																																																																																																																																																																																																																																																																									
39	85	33.79	5.0	2.80	GR49 GRF49	4P	31	108	42.87	5.4	2.70																																																																																																																																																																																																																																																																																																																																																																																																																																																																																																																																																																																																																																																																		
43	79	31.12	4.9	2.80																																																																																																																																																																																																																																																																																																																																																																																																																																																																																																																																																																																																																																																																									
50	67	26.74	4.7	4.40																																																																																																																																																																																																																																																																																																																																																																																																																																																																																																																																																																																																																																																																									
57	59	23.28	4.5	5.00																																																																																																																																																																																																																																																																																																																																																																																																																																																																																																																																																																																																																																																																									
61	55	21.81	4.4	5.40																																																																																																																																																																																																																																																																																																																																																																																																																																																																																																																																																																																																																																																																									
15	229	90.77	4.0	0.85	GR39 GRF39	4P	36	93	36.72	4.9	2.10																																																																																																																																																																																																																																																																																																																																																																																																																																																																																																																																																																																																																																																																		
16	214	84.61	4.5	0.90																																																																																																																																																																																																																																																																																																																																																																																																																																																																																																																																																																																																																																																																									
18	187	73.96	4.8	1.05																																																																																																																																																																																																																																																																																																																																																																																																																																																																																																																																																																																																																																																																									
19	175	69.33	4.9	1.15	GR39 GRF39	4P	41	82	32.40	4.8	2.40																																																																																																																																																																																																																																																																																																																																																																																																																																																																																																																																																																																																																																																																		
22	154	61.18	5.1	1.30																																																																																																																																																																																																																																																																																																																																																																																																																																																																																																																																																																																																																																																																									
24	141	55.76	5.3	1.40																																																																																																																																																																																																																																																																																																																																																																																																																																																																																																																																																																																																																																																																									
28	121	48.08	5.3	1.60																																																																																																																																																																																																																																																																																																																																																																																																																																																																																																																																																																																																																																																																									
30	113	44.81	5.2	1.75																																																																																																																																																																																																																																																																																																																																																																																																																																																																																																																																																																																																																																																																									
34	99	39.17	5.0	2.00																																																																																																																																																																																																																																																																																																																																																																																																																																																																																																																																																																																																																																																																									
36	93	36.72	4.9	2.10																																																																																																																																																																																																																																																																																																																																																																																																																																																																																																																																																																																																																																																																									
41	82	32.40	4.8	2.40																																																																																																																																																																																																																																																																																																																																																																																																																																																																																																																																																																																																																																																																									
46	73	28.73	4.6	2.70																																																																																																																																																																																																																																																																																																																																																																																																																																																																																																																																																																																																																																																																									
54	62	24.42	4.4	3.20																																																																																																																																																																																																																																																																																																																																																																																																																																																																																																																																																																																																																																																																									
47	71	28.32	4.6	2.80	GR39 GRF39	4P	51	66	26.03	4.5	2.80																																																																																																																																																																																																																																																																																																																																																																																																																																																																																																																																																																																																																																																																		
51	66	26.03	4.5	2.80																																																																																																																																																																																																																																																																																																																																																																																																																																																																																																																																																																																																																																																																									
60	56	22.27	4.3	3.50																																																																																																																																																																																																																																																																																																																																																																																																																																																																																																																																																																																																																																																																									
69	49	19.31	4.1	4.10																																																																																																																																																																																																																																																																																																																																																																																																																																																																																																																																																																																																																																																																									
74	46	18.05	4.0	4.30																																																																																																																																																																																																																																																																																																																																																																																																																																																																																																																																																																																																																																																																									
85	39	15.60	3.8	5.00	GR39 GRF39	4P	100	33	13.25	3.7	5.60																																																																																																																																																																																																																																																																																																																																																																																																																																																																																																																																																																																																																																																																		
112	30	11.83	3.5	6.00																																																																																																																																																																																																																																																																																																																																																																																																																																																																																																																																																																																																																																																																									
22	155	61.30	3.7	0.85			GR29 GRF29	4P	24	141	55.87	3.6	0.90																																																																																																																																																																																																																																																																																																																																																																																																																																																																																																																																																																																																																																																																
24	141	55.87	3.6	0.90																																																																																																																																																																																																																																																																																																																																																																																																																																																																																																																																																																																																																																																																									
28	122	48.17	3.5	1.05																																																																																																																																																																																																																																																																																																																																																																																																																																																																																																																																																																																																																																																																									
30	113	44.90	3.4	1.15																																																																																																																																																																																																																																																																																																																																																																																																																																																																																																																																																																																																																																																																									
34	99	39.25	3.3	1.30																																																																																																																																																																																																																																																																																																																																																																																																																																																																																																																																																																																																																																																																									
36	93	36.79	3.3	1.40																																																																																																																																																																																																																																																																																																																																																																																																																																																																																																																																																																																																																																																																									
41	82	32.47	3.2	1.55																																																																																																																																																																																																																																																																																																																																																																																																																																																																																																																																																																																																																																																																									
46	73	28.78	3.1	1.75																																																																																																																																																																																																																																																																																																																																																																																																																																																																																																																																																																																																																																																																									
54	62	24.47	3.0	2.10																																																																																																																																																																																																																																																																																																																																																																																																																																																																																																																																																																																																																																																																									

**选型参数表
(恒功率)**
**Selection Table
(Constant Power)**

n_a [r/min]	M_a [N.m]	i	F_{Ra} [kN]	f_B	机型号 Type size	极数 Pole	n_a [r/min]	M_a [N.m]	i	F_{Ra} [kN]	f_B	机型号 Type size	极数 Pole																																																																																																																																																																																																																																																																																																																																																																																																																																																																																																																																																																																																																																																																											
0.37kW							0.37kW																																																																																																																																																																																																																																																																																																																																																																																																																																																																																																																																																																																																																																																																																	
47	72	28.37	3.1	1.80	GR29 GRF29	4P	375	9.2	3.55	2.7	7.60	GRX59 GRXF59	4P																																																																																																																																																																																																																																																																																																																																																																																																																																																																																																																																																																																																																																																																											
51	66	26.09	3.0	1.95			60	56	22.32	2.9	2.30			69	49	19.35	2.8	2.60	74	46	18.08	2.7	2.80	85	39	15.63	2.6	3.20	100	34	13.28	2.5	3.80	34	97	38.61	0.7	0.85	GR19 GRF19	4P	375	9.2	3.55	2.7	7.60	GR179R99 GRF179R99	4P	37	91	36.20	1.2	0.90	42	81	31.94	1.8	1.05	47	71	28.32	1.8	1.15	55	61	24.07	1.7	1.40	53	62	25.23	1.7	1.30	GR19 GRF19	4P	0.11	42568	12482	128	0.9	GR169R99 GRF169R99	4P	57	57	23.15	1.7	1.45	67	48	19.71	1.7	1.70	78	42	16.99	1.6	1.95	84	39	15.84	1.6	2.10	96	34	13.84	1.5	2.40	102	32	12.98	1.5	2.60	116	28	11.45	1.5	2.80	131	25	10.15	1.4	3.00	154	21	8.63	1.4	3.30	176	18	7.55	1.3	2.90	189	17	7.04	1.3	3.10	216	15	6.15	1.2	3.40	231	14	5.76	1.2	3.60	261	12	5.09	1.2	3.90	295	11	4.51	1.1	4.20	347	9.4	3.83	1.1	4.60	198	16	13.84	1.3	4.60	GR19 GRF19	2P	0.23	20725	6077	114	0.85	GR149R79 GRF149R79	4P	211	15	12.98	1.3	4.90	239	14	11.45	1.3	5.30	270	12	10.15	1.2	5.70	317	10	8.63	1.2	6.30	363	9.0	7.55	1.1	5.50	389	8.4	7.04	1.1	5.80	446	7.3	6.15	1.0	6.60	476	6.8	5.76	1.0	6.90	538	6.0	5.09	1.0	7.50	608	5.4	4.51	0.9	8.00	715	4.5	3.83	0.9	8.80	172	20	5.18	4.3	3.70	GRX69 GRXF69	6P	0.26	18440	5407	114	0.95	GR139R79 GRF139R79	4P	196	18	4.53	4.2	4.60	207	17	4.30	4.1	4.70	236	15	3.77	3.9	5.90	219	16	6.07	4.0	2.80	GRX69 GRXF69	4P	0.28	16758	4914	128	2.2	GR149R79 GRF149R79	4P	257	13	5.18	3.8	5.60	294	12	4.53	3.6	7.10	309	11	4.30	3.6	7.30	353	10	3.77	3.4	9.00	416	8	3.20	3.2	12	460	7	2.89	3.1	14	524	7	2.54	3.0	18	554	6	2.40	3.0	20	652	5	2.04	2.8	26	205	17	4.35	3.3	4.00	GRX59 GRXF59	6P	0.32	14750	4325	53	0.85	GR139R79 GRF139R79	4P	235	15	3.79	3.2	4.60	251	14	3.55	3.1	5.00	242	14	5.50	3.1	2.80	GRX59 GRXF59	4P	0.37	12802	3754	60	1.05	GR109R79 GRF109R79	4P	262	13	5.07	3.0	2.80	306	11	4.35	2.9	6.10	351	9.8	3.79	2.8	7.10	0.48	9883	2898	65	1.30	GR109R79 GRF109R79	4P	0.54	8713	2555	66	1.50	0.63	7540	2211	67	1.70	0.71	6654	1951	68	1.95	0.82	5815	1705	69	2.25	0.90	5238	1536	69	2.50	1.0	4532	1329	70	2.85	1.2	3976	1166	70	3.25	0.56	8471	2484	49	0.95	GR99R59 GRF99R59	4P	0.52	9065	2658	47	0.90	0.58	8226	2412	50	0.95	0.67	7070	2073	52	1.10	0.76	6272	1839	54	1.25	0.87	5450	1598	55	1.45	0.99	4764	1397	56	1.65	1.1	4181	1226	56	1.90	1.3	3717	1090	57	2.15	1.5	3243	951	57	2.45	1.7	2834	831	57	2.80	0.99	4798	1407	22	0.90	GR109R79 GRF109R79	4P	1.1	4123	1209	29	1.05	1.3	3598	1055	31	1.20	1.5	3134	919	33	1.35	1.7	2779	815	34	1.55	1.9	2445	717	34	1.75	2.2	2135	626	35	2.00	0.99	4774	1400	24	0.90	GR109R79 GRF109R79	4P	1.1	4181	1226	29	1.05	1.3	3765	1104	31	1.15	1.5	3202	939	33	1.35	1.7	2803	822	34	1.55	1.5	3199	938	4.4	0.95	1.7	2810	824	21	1.05	1.9	2513	737	23	1.20	2.2	2155	632	24	1.40	2.5	1910	560	25	1.55	2.9	1651	484	26	1.80	3.2	1470	431	26	2.00	3.7	1293	379	27	2.30																																																																																										
60	56	22.32	2.9	2.30			69	49	19.35	2.8	2.60			74	46	18.08	2.7	2.80	85	39	15.63	2.6	3.20	100	34	13.28	2.5	3.80	34	97	38.61	0.7	0.85	GR19 GRF19	4P	375	9.2	3.55			2.7	7.60	GR179R99 GRF179R99	4P	37			91	36.20	1.2	0.90	42	81	31.94	1.8	1.05	47	71	28.32	1.8	1.15	55	61	24.07	1.7	1.40	53	62	25.23	1.7	1.30	GR19 GRF19			4P	0.11	42568	12482	128			0.9	GR169R99 GRF169R99	4P	57	57	23.15	1.7	1.45	67	48	19.71	1.7	1.70	78	42	16.99	1.6	1.95	84	39	15.84	1.6	2.10	96	34	13.84	1.5	2.40	102	32	12.98	1.5	2.60	116	28	11.45	1.5	2.80	131	25	10.15	1.4	3.00	154	21	8.63	1.4	3.30	176	18	7.55	1.3	2.90	189	17	7.04	1.3	3.10	216	15	6.15	1.2	3.40	231	14	5.76	1.2	3.60	261	12	5.09	1.2	3.90	295	11	4.51	1.1	4.20	347	9.4	3.83	1.1	4.60	198	16			13.84	1.3	4.60	GR19 GRF19	2P			0.23	20725	6077	114	0.85	GR149R79 GRF149R79	4P	211	15	12.98	1.3	4.90	239	14	11.45	1.3	5.30	270	12	10.15	1.2	5.70	317	10	8.63	1.2	6.30	363	9.0	7.55	1.1	5.50	389	8.4	7.04	1.1	5.80	446	7.3	6.15	1.0	6.60	476	6.8	5.76	1.0	6.90	538	6.0	5.09	1.0	7.50	608	5.4	4.51	0.9	8.00	715	4.5	3.83			0.9	8.80	172	20	5.18			4.3	3.70	GRX69 GRXF69	6P	0.26	18440	5407	114	0.95	GR139R79 GRF139R79	4P	196	18	4.53	4.2	4.60	207	17	4.30	4.1			4.70	236	15	3.77	3.9			5.90	219	16	6.07	4.0	2.80	GRX69 GRXF69	4P	0.28	16758	4914	128	2.2	GR149R79 GRF149R79	4P	257	13	5.18	3.8	5.60	294	12	4.53	3.6	7.10	309	11	4.30	3.6	7.30	353	10	3.77	3.4	9.00	416	8	3.20	3.2	12	460	7	2.89	3.1	14	524	7	2.54	3.0	18			554	6	2.40	3.0	20			652	5	2.04	2.8	26	205	17	4.35	3.3	4.00	GRX59 GRXF59	6P	0.32	14750	4325			53	0.85	GR139R79 GRF139R79	4P	235			15	3.79	3.2	4.60	251	14	3.55	3.1	5.00	242	14	5.50	3.1	2.80	GRX59 GRXF59	4P	0.37	12802	3754	60			1.05	GR109R79 GRF109R79	4P	262	13	5.07	3.0	2.80	306	11	4.35	2.9	6.10	351	9.8	3.79	2.8	7.10	0.48	9883	2898	65	1.30	GR109R79 GRF109R79	4P	0.54	8713	2555	66	1.50	0.63	7540	2211	67	1.70	0.71	6654	1951	68	1.95			0.82	5815	1705	69	2.25	0.90	5238	1536	69	2.50	1.0	4532	1329	70	2.85	1.2	3976	1166	70	3.25	0.56	8471	2484	49	0.95	GR99R59 GRF99R59	4P	0.52	9065	2658	47	0.90	0.58	8226	2412	50	0.95	0.67	7070	2073	52	1.10	0.76	6272	1839	54	1.25	0.87	5450	1598	55	1.45	0.99	4764	1397			56	1.65	1.1	4181	1226	56	1.90	1.3	3717	1090	57	2.15	1.5	3243	951	57	2.45	1.7	2834	831	57	2.80	0.99	4798	1407	22	0.90	GR109R79 GRF109R79	4P	1.1	4123	1209	29	1.05	1.3			3598	1055	31	1.20	1.5	3134	919	33	1.35	1.7	2779	815	34	1.55	1.9	2445	717	34	1.75	2.2	2135	626	35	2.00	0.99	4774	1400	24	0.90	GR109R79 GRF109R79	4P	1.1	4181	1226	29	1.05	1.3	3765	1104	31	1.15	1.5	3202	939	33	1.35	1.7	2803	822	34	1.55	1.5	3199	938	4.4	0.95	1.7	2810	824	21	1.05	1.9	2513	737	23	1.20	2.2	2155	632	24	1.40	2.5	1910	560	25	1.55	2.9	1651	484	26	1.80	3.2	1470	431	26	2.00	3.7	1293	379	27	2.30																																																											
69	49	19.35	2.8	2.60			74	46	18.08	2.7	2.80			85	39	15.63	2.6	3.20	100	34	13.28	2.5	3.80	34	97	38.61	0.7	0.85	GR19 GRF19	4P	375	9.2	3.55			2.7	7.60	GR179R99 GRF179R99			4P	37			91			36.20	1.2	0.90	42	81	31.94	1.8	1.05	47	71	28.32	1.8	1.15	55	61	24.07	1.7	1.40	53	62	25.23	1.7	1.30	GR19 GRF19					4P	0.11	42568	12482			128			0.9	GR169R99 GRF169R99	4P	57	57	23.15	1.7	1.45	67	48	19.71	1.7	1.70	78	42	16.99	1.6	1.95	84	39	15.84	1.6	2.10	96	34	13.84	1.5	2.40	102	32	12.98	1.5	2.60	116	28	11.45	1.5	2.80	131	25	10.15	1.4	3.00	154	21	8.63	1.4	3.30	176	18	7.55	1.3	2.90	189	17	7.04	1.3	3.10	216	15	6.15	1.2	3.40	231	14	5.76	1.2	3.60	261	12	5.09	1.2	3.90	295	11	4.51	1.1	4.20	347	9.4	3.83	1.1			4.60	198	16					13.84	1.3	4.60	GR19 GRF19	2P			0.23	20725	6077	114	0.85	GR149R79 GRF149R79	4P	211	15	12.98	1.3	4.90	239	14	11.45	1.3	5.30	270	12	10.15	1.2	5.70	317	10	8.63	1.2	6.30	363	9.0	7.55	1.1	5.50	389	8.4	7.04	1.1	5.80	446	7.3	6.15	1.0	6.60	476	6.8	5.76	1.0	6.90	538	6.0	5.09	1.0	7.50	608			5.4	4.51	0.9	8.00	715			4.5	3.83			0.9	8.80	172	20	5.18			4.3	3.70	GRX69 GRXF69	6P	0.26	18440	5407	114	0.95			GR139R79 GRF139R79	4P	196	18	4.53			4.2	4.60	207	17	4.30	4.1			4.70	236	15	3.77	3.9			5.90	219	16	6.07	4.0	2.80	GRX69 GRXF69	4P	0.28	16758	4914	128	2.2	GR149R79 GRF149R79	4P	257	13	5.18	3.8	5.60	294	12	4.53	3.6	7.10	309	11	4.30	3.6	7.30	353	10	3.77	3.4	9.00			416	8	3.20	3.2	12			460	7	2.89	3.1	14	524	7	2.54	3.0	18			554	6	2.40			3.0	20			652			5	2.04	2.8	26	205	17	4.35	3.3	4.00	GRX59 GRXF59	6P	0.32	14750	4325			53	0.85	GR139R79 GRF139R79	4P			235			15	3.79	3.2	4.60	251	14	3.55	3.1	5.00	242	14	5.50	3.1	2.80	GRX59 GRXF59	4P	0.37	12802	3754	60			1.05	GR109R79 GRF109R79	4P	262	13	5.07	3.0	2.80	306	11	4.35	2.9	6.10	351	9.8	3.79	2.8	7.10	0.48	9883	2898	65	1.30	GR109R79 GRF109R79	4P	0.54	8713	2555	66	1.50	0.63	7540	2211	67	1.70	0.71	6654	1951	68	1.95	0.82	5815			1705	69	2.25	0.90	5238	1536	69	2.50	1.0	4532	1329	70	2.85	1.2	3976	1166	70	3.25	0.56	8471	2484	49	0.95	GR99R59 GRF99R59	4P	0.52	9065	2658			47	0.90	0.58	8226	2412	50	0.95	0.67	7070	2073	52	1.10	0.76	6272	1839	54	1.25	0.87	5450	1598	55	1.45	0.99	4764	1397	56	1.65			1.1	4181	1226	56	1.90	1.3			3717	1090	57	2.15	1.5	3243	951	57	2.45	1.7	2834	831	57	2.80	0.99	4798	1407	22	0.90	GR109R79 GRF109R79	4P	1.1	4123	1209	29	1.05	1.3	3598	1055			31	1.20	1.5	3134	919	33	1.35	1.7	2779	815	34	1.55	1.9	2445	717	34	1.75	2.2	2135	626	35	2.00	0.99	4774	1400	24	0.90	GR109R79 GRF109R79	4P	1.1	4181	1226	29	1.05	1.3	3765	1104	31	1.15	1.5	3202	939	33	1.35	1.7	2803	822	34	1.55	1.5	3199	938	4.4	0.95	1.7	2810	824	21	1.05	1.9	2513	737	23	1.20	2.2	2155	632	24	1.40	2.5	1910	560	25	1.55	2.9	1651	484	26	1.80	3.2	1470	431	26	2.00	3.7	1293	379	27	2.30																														
74	46	18.08	2.7	2.80			85	39	15.63	2.6	3.20			100	34	13.28	2.5	3.80	34	97	38.61	0.7	0.85	GR19 GRF19	4P	375	9.2	3.55			2.7	7.60	GR179R99 GRF179R99			4P	37					91			36.20			1.2	0.90	42	81	31.94	1.8	1.05	47	71	28.32	1.8	1.15	55	61	24.07	1.7	1.40	53	62	25.23	1.7	1.30	GR19 GRF19							4P	0.11	42568			12482			128			0.9	GR169R99 GRF169R99	4P	57	57	23.15	1.7	1.45	67	48	19.71	1.7	1.70	78	42	16.99	1.6	1.95	84	39	15.84	1.6	2.10	96	34	13.84	1.5	2.40	102	32	12.98	1.5	2.60	116	28	11.45	1.5	2.80	131	25	10.15	1.4	3.00	154	21	8.63	1.4	3.30	176	18	7.55	1.3	2.90	189	17	7.04	1.3	3.10	216	15	6.15	1.2	3.40	231	14	5.76	1.2	3.60	261	12	5.09	1.2	3.90	295	11	4.51	1.1	4.20	347			9.4	3.83	1.1					4.60	198	16					13.84	1.3	4.60	GR19 GRF19	2P			0.23	20725	6077	114	0.85	GR149R79 GRF149R79	4P	211	15	12.98	1.3	4.90	239	14	11.45	1.3	5.30	270	12	10.15	1.2	5.70	317	10	8.63	1.2	6.30	363	9.0	7.55	1.1	5.50	389	8.4	7.04	1.1	5.80	446	7.3	6.15	1.0	6.60	476	6.8	5.76	1.0			6.90	538	6.0	5.09	1.0			7.50	608			5.4	4.51	0.9	8.00	715			4.5	3.83			0.9	8.80	172	20	5.18					4.3	3.70	GRX69 GRXF69			6P	0.26	18440	5407	114	0.95			GR139R79 GRF139R79	4P	196	18	4.53			4.2	4.60	207	17	4.30	4.1			4.70	236	15	3.77	3.9			5.90	219	16	6.07	4.0	2.80	GRX69 GRXF69	4P	0.28	16758	4914	128	2.2	GR149R79 GRF149R79	4P	257	13	5.18	3.8	5.60	294	12	4.53	3.6	7.10	309	11			4.30	3.6	7.30	353	10	3.77	3.4	9.00	416	8			3.20	3.2	12			460	7			2.89			3.1	14	524	7	2.54	3.0	18	554	6			2.40	3.0	20			652	5					2.04			2.8	26	205	17	4.35	3.3	4.00	GRX59 GRXF59	6P	0.32	14750	4325	53	0.85			GR139R79 GRF139R79	4P	235	15			3.79			3.2	4.60	251	14	3.55	3.1	5.00	242	14	5.50	3.1	2.80	GRX59 GRXF59	4P	0.37	12802	3754	60	1.05	GR109R79 GRF109R79			4P	262	13	5.07	3.0	2.80	306	11	4.35	2.9	6.10	351	9.8	3.79	2.8	7.10	0.48	9883	2898	65	1.30	GR109R79 GRF109R79	4P	0.54	8713	2555	66	1.50	0.63	7540	2211	67	1.70	0.71	6654	1951	68	1.95	0.82	5815	1705	69			2.25	0.90	5238			1536	69	2.50	1.0	4532	1329	70	2.85	1.2	3976	1166	70	3.25	0.56	8471	2484	49	0.95	GR99R59 GRF99R59	4P	0.52	9065	2658	47	0.90	0.58	8226			2412	50	0.95	0.67	7070	2073			52	1.10	0.76	6272	1839	54	1.25	0.87	5450	1598	55	1.45	0.99	4764	1397	56	1.65	1.1	4181			1226	56	1.90	1.3	3717	1090	57	2.15			1.5	3243	951	57	2.45	1.7	2834	831	57	2.80	0.99	4798	1407	22	0.90	GR109R79 GRF109R79	4P	1.1	4123	1209	29	1.05	1.3	3598	1055	31	1.20			1.5	3134	919	33	1.35	1.7	2779	815	34	1.55	1.9	2445	717	34	1.75	2.2	2135	626	35	2.00	0.99	4774	1400	24	0.90	GR109R79 GRF109R79	4P	1.1	4181	1226	29	1.05	1.3	3765	1104	31	1.15	1.5	3202	939	33	1.35	1.7	2803	822	34	1.55	1.5	3199	938	4.4	0.95	1.7	2810	824	21	1.05	1.9	2513	737	23	1.20	2.2	2155	632	24	1.40	2.5	1910	560	25	1.55	2.9	1651	484	26	1.80	3.2	1470	431	26	2.00	3.7	1293	379	27	2.30			
85	39	15.63	2.6	3.20			100	34	13.28	2.5	3.80			34	97	38.61	0.7	0.85	GR19 GRF19	4P	375	9.2	3.55			2.7	7.60	GR179R99 GRF179R99			4P	37					91					36.20			1.2			0.90	42	81	31.94	1.8	1.05	47	71	28.32	1.8	1.15	55	61	24.07	1.7	1.40	53	62	25.23	1.7	1.30	GR19 GRF19									4P	0.11			42568			12482			128			0.9	GR169R99 GRF169R99	4P	57	57	23.15	1.7	1.45	67	48	19.71	1.7	1.70	78	42	16.99	1.6	1.95	84	39	15.84	1.6	2.10	96	34	13.84	1.5	2.40	102	32	12.98	1.5	2.60	116	28	11.45	1.5	2.80	131	25	10.15	1.4	3.00	154	21	8.63	1.4	3.30	176	18	7.55	1.3	2.90	189	17	7.04	1.3	3.10	216	15	6.15	1.2	3.40	231	14	5.76	1.2	3.60	261	12	5.09	1.2	3.90	295	11	4.51			1.1	4.20	347			9.4	3.83	1.1	4.60	198					16	13.84	1.3					4.60	GR19 GRF19	2P	0.23	20725			6077	114	0.85	GR149R79 GRF149R79	4P	211	15	12.98	1.3	4.90	239	14	11.45	1.3	5.30	270	12	10.15	1.2	5.70	317	10	8.63	1.2	6.30	363	9.0	7.55	1.1	5.50	389	8.4	7.04	1.1	5.80	446	7.3	6.15	1.0	6.60	476	6.8	5.76	1.0	6.90	538	6.0	5.09	1.0	7.50			608	5.4	4.51	0.9	8.00			715	4.5			3.83	0.9	8.80	172	20					5.18	4.3					3.70	GRX69 GRXF69	6P	0.26	18440					5407	114	0.95			GR139R79 GRF139R79	4P	196	18	4.53	4.2			4.60	207	17	4.30	4.1			4.70	236	15	3.77	3.9	5.90			219	16	6.07	4.0	2.80			GRX69 GRXF69	4P	0.28	16758	4914	128	2.2	GR149R79 GRF149R79	4P	257	13	5.18			3.8	5.60	294	12	4.53	3.6	7.10	309	11	4.30	3.6	7.30	353	10	3.77			3.4	9.00			416	8	3.20	3.2	12	460	7	2.89	3.1	14	524	7			2.54	3.0	18			554	6					2.40			3.0	20	652	5	2.04	2.8	26			205	17	4.35	3.3	4.00					GRX59 GRXF59	6P			0.32			14750	4325	53	0.85	GR139R79 GRF139R79	4P	235	15	3.79	3.2	4.60	251			14	3.55	3.1	5.00	242					14	5.50	3.1	2.80	GRX59 GRXF59	4P	0.37	12802	3754	60	1.05	GR109R79 GRF109R79	4P	262	13	5.07	3.0	2.80	306	11			4.35	2.9	6.10	351	9.8	3.79	2.8	7.10	0.48	9883	2898	65	1.30	GR109R79 GRF109R79	4P	0.54	8713	2555	66	1.50	0.63	7540	2211	67			1.70	0.71	6654	1951	68	1.95	0.82	5815	1705	69	2.25	0.90	5238	1536	69	2.50	1.0	4532			1329	70	2.85	1.2	3976	1166	70			3.25	0.56	8471	2484	49	0.95			GR99R59 GRF99R59	4P	0.52	9065	2658	47	0.90	0.58	8226	2412	50	0.95	0.67	7070	2073	52	1.10	0.76	6272			1839	54	1.25	0.87	5450	1598	55	1.45			0.99	4764	1397	56	1.65	1.1	4181	1226	56	1.90	1.3	3717	1090	57	2.15			1.5	3243	951	57	2.45	1.7	2834	831	57	2.80			0.99	4798	1407	22	0.90	GR109R79 GRF109R79	4P	1.1	4123	1209	29	1.05	1.3	3598	1055	31	1.20	1.5	3134	919	33	1.35	1.7	2779	815			34	1.55	1.9	2445	717	34	1.75	2.2	2135	626	35	2.00	0.99	4774	1400	24	0.90	GR109R79 GRF109R79	4P	1.1	4181	1226	29	1.05	1.3	3765	1104	31	1.15	1.5	3202	939	33	1.35	1.7	2803	822	34	1.55	1.5	3199	938	4.4	0.95	1.7	2810	824	21	1.05	1.9	2513	737	23	1.20	2.2	2155	632	24	1.40	2.5	1910	560	25
100	34	13.28	2.5	3.80			34	97	38.61	0.7	0.85			GR19 GRF19	4P	375	9.2	3.55			2.7	7.60	GR179R99 GRF179R99			4P	37					91					36.20		1.2	0.90		42			81	31.94	1.8	1.05	47	71	28.32	1.8	1.15	55	61	24.07	1.7	1.40	53	62	25.23	1.7	1.30	GR19 GRF19	4P	0.11	42568	12482											128			0.9			GR169R99 GRF169R99			4P			57			57	23.15	1.7	1.45	67	48	19.71	1.7	1.70	78	42	16.99	1.6	1.95	84	39	15.84	1.6	2.10	96	34	13.84	1.5	2.40	102	32	12.98	1.5	2.60	116	28	11.45	1.5	2.80	131	25	10.15	1.4	3.00	154	21	8.63	1.4	3.30	176	18	7.55	1.3	2.90	189	17	7.04	1.3	3.10	216	15	6.15	1.2	3.40	231	14	5.76	1.2	3.60	261	12	5.09	1.2	3.90	295	11	4.51	1.1			4.20	347	9.4			3.83	1.1	4.60	198	16			13.84	1.3	4.60	GR19 GRF19	2P					0.23			20725	6077			114	0.85	GR149R79 GRF149R79			4P	211	15	12.98	1.3	4.90	239	14	11.45	1.3	5.30	270	12	10.15	1.2	5.70	317	10	8.63	1.2	6.30	363	9.0	7.55	1.1	5.50	389	8.4	7.04	1.1	5.80	446	7.3	6.15	1.0	6.60	476	6.8	5.76	1.0	6.90	538	6.0	5.09	1.0	7.50	608	5.4	4.51	0.9	8.00	715	4.5	3.83	0.9	8.80			172	20	5.18	4.3	3.70					GRX69 GRXF69	6P					0.26			18440	5407					114	0.95	GR139R79 GRF139R79					4P	196	18	4.53			4.2	4.60	207	17	4.30			4.1	4.70	236	15	3.77	3.9			5.90	219	16	6.07	4.0					2.80	GRX69 GRXF69	4P	0.28	16758			4914	128	2.2			GR149R79 GRF149R79	4P	257	13	5.18	3.8	5.60	294	12	4.53	3.6	7.10	309	11	4.30			3.6	7.30			353	10	3.77	3.4	9.00	416	8	3.20	3.2	12	460	7	2.89	3.1	14	524	7			2.54	3.0					18	554	6	2.40	3.0	20	652	5	2.04	2.8			26	205	17	4.35	3.3									4.00			GRX59 GRXF59	6P	0.32	14750			4325	53	0.85	GR139R79 GRF139R79	4P	235			15	3.79	3.2	4.60	251					14	3.55	3.1	5.00			242	14	5.50	3.1	2.80			GRX59 GRXF59	4P	0.37	12802	3754	60	1.05			GR109R79 GRF109R79	4P	262	13	5.07	3.0	2.80	306	11	4.35	2.9	6.10	351			9.8	3.79	2.8	7.10	0.48	9883	2898	65	1.30			GR109R79 GRF109R79	4P	0.54	8713	2555	66	1.50	0.63	7540	2211	67	1.70	0.71	6654	1951	68	1.95	0.82	5815	1705	69	2.25	0.90	5238	1536	69	2.50			1.0	4532	1329	70	2.85	1.2					3976	1166	70	3.25	0.56	8471	2484	49	0.95	GR99R59 GRF99R59	4P	0.52	9065	2658	47	0.90	0.58			8226	2412	50	0.95	0.67	7070	2073	52			1.10	0.76	6272	1839	54	1.25	0.87	5450	1598	55	1.45	0.99	4764	1397	56			1.65	1.1	4181	1226	56	1.90	1.3	3717	1090	57			2.15	1.5	3243	951	57			2.45	1.7	2834	831	57	2.80	0.99	4798	1407	22	0.90	GR109R79 GRF109R79	4P	1.1	4123	1209	29	1.05			1.3	3598	1055	31	1.20	1.5	3134	919	33	1.35	1.7	2779	815	34	1.55	1.9	2445			717	34	1.75	2.2	2135	626	35	2.00	0.99	4774	1400	24	0.90	GR109R79 GRF109R79	4P	1.1	4181	1226	29	1.05	1.3	3765	1104	31	1.15	1.5	3202	939	33	1.35	1.7	2803	822	34	1.55	1.5	3199	938	4.4	0.95	1.7	2810	824	21
34	97	38.61	0.7	0.85	GR19 GRF19	4P	375	9.2	3.55	2.7	7.60	GR179R99 GRF179R99	4P																																																																																																																																																																																																																																																																																																																																																																																																																																																																																																																																																																																																																																																																											
37	91	36.20	1.2	0.90			42	81	31.94	1.8	1.05					47	71	28.32			1.8	1.15					55		61	24.07		1.7		1.40	53		62	25.23	1.7	1.30	GR19 GRF19	4P	0.11	42568	12482	128	0.9	GR169R99 GRF169R99	4P	57	57	23.15	1.7	1.45	67	48	19.71	1.7	1.70	78	42	16.99	1.6			1.95	84	39											15.84	1.6	2.10	96	34	13.84							1.5			2.40	102	32	12.98	1.5	2.60	116	28	11.45	1.5	2.80	131	25	10.15	1.4	3.00	154	21	8.63	1.4	3.30	176	18	7.55	1.3	2.90	189	17	7.04	1.3	3.10	216	15	6.15	1.2	3.40	231	14	5.76	1.2	3.60	261	12	5.09	1.2	3.90	295	11	4.51	1.1	4.20	347	9.4	3.83	1.1	4.60	198	16	13.84	1.3	4.60	GR19 GRF19	2P	0.23	20725	6077	114	0.85	GR149R79 GRF149R79	4P	211	15	12.98			1.3	4.90	239			14	11.45	1.3	5.30	270			12	10.15	1.2					5.70	317	10			8.63	1.2	6.30	363	9.0	7.55					1.1	5.50	389	8.4	7.04	1.1	5.80	446	7.3	6.15	1.0	6.60	476	6.8	5.76	1.0	6.90	538	6.0	5.09	1.0	7.50	608	5.4	4.51	0.9	8.00	715	4.5	3.83	0.9	8.80	172	20	5.18	4.3	3.70	GRX69 GRXF69	6P	0.26	18440	5407	114	0.95	GR139R79 GRF139R79	4P	196	18	4.53	4.2	4.60	207	17	4.30	4.1	4.70	236	15	3.77	3.9	5.90	219			16	6.07			4.0	2.80	GRX69 GRXF69	4P	0.28			16758	4914			128	2.2	GR149R79 GRF149R79	4P		257	13				5.18	3.8	5.60			294	12	4.53	3.6	7.10			309	11	4.30	3.6	7.30	353			10	3.77	3.4	9.00	416					8			3.20	3.2			12	460	7	2.89	3.1			14	524	7	2.54	3.0	18	554	6	2.40	3.0	20	652	5			2.04	2.8	26	205	17	4.35	3.3	4.00	GRX59 GRXF59	6P	0.32	14750	4325	53	0.85	GR139R79 GRF139R79	4P	235	15	3.79	3.2			4.60	251			14	3.55	3.1	5.00	242	14	5.50	3.1	2.80	GRX59 GRXF59	4P	0.37	12802	3754	60	1.05	GR109R79 GRF109R79	4P	262					13	5.07	3.0	2.80	306	11	4.35			2.9	6.10			351	9.8	3.79			2.8			7.10	0.48	9883	2898	65	1.30			GR109R79 GRF109R79	4P	0.54	8713	2555			66	1.50	0.63	7540	2211					67	1.70	0.71	6654	1951					68	1.95	0.82	5815	1705	69	2.25	0.90	5238	1536	69			2.50	1.0	4532	1329	70	2.85	1.2	3976	1166	70	3.25			0.56	8471	2484	49	0.95	GR99R59 GRF99R59	4P	0.52	9065	2658	47	0.90	0.58	8226	2412	50	0.95	0.67	7070	2073	52	1.10	0.76	6272	1839	54	1.25	0.87	5450	1598	55	1.45	0.99	4764	1397	56	1.65	1.1	4181	1226	56	1.90	1.3	3717	1090	57	2.15	1.5	3243	951	57	2.45	1.7	2834			831	57	2.80	0.99	4798	1407	22	0.90	GR109R79 GRF109R79	4P	1.1	4123	1209	29	1.05	1.3	3598	1055	31	1.20	1.5	3134	919	33	1.35			1.7	2779	815	34	1.55	1.9	2445	717	34	1.75			2.2	2135	626	35	2.00			0.99	4774	1400	24	0.90	GR109R79 GRF109R79	4P	1.1	4181	1226	29			1.05	1.3	3765	1104	31			1.15	1.5	3202	939	33	1.35	1.7	2803	822	34	1.55	1.5	3199	938	4.4	0.95	1.7			2810	824	21	1.05	1.9	2513	737	23	1.20	2.2	2155	632	24			1.40	2.5	1910	560	25	1.55	2.9	1651	484	26	1.80	3.2	1470	431	26	2.00	3.7	1293	379	27	2.30								
42	81	31.94	1.8	1.05			47	71	28.32	1.8	1.15					55	61	24.07			1.7	1.40		53	62		25.23		1.7	1.30		GR19 GRF19	4P	0.11	42568	12482	128	0.9	GR169R99 GRF169R99	4P			57	57	23.15	1.7	1.45			67	48	19.71	1.7	1.70	78	42	16.99	1.6	1.95	84	39	15.84	1.6			2.10	96	34											13.84	1.5	2.40	102	32	12.98		1.5	2.60				116			28	11.45	1.5	2.80	131	25	10.15	1.4	3.00	154	21	8.63	1.4	3.30	176	18	7.55	1.3	2.90	189	17	7.04	1.3	3.10	216	15	6.15	1.2	3.40	231	14	5.76	1.2	3.60	261	12	5.09	1.2	3.90	295	11	4.51	1.1	4.20	347	9.4	3.83	1.1	4.60	198	16	13.84	1.3	4.60	GR19 GRF19	2P	0.23	20725	6077	114	0.85			GR149R79 GRF149R79	4P	211	15	12.98			1.3	4.90	239			14	11.45	1.3			5.30	270	12	10.15	1.2			5.70	317	10					8.63	1.2	6.30			363	9.0	7.55	1.1	5.50	389		8.4	7.04		1.1	5.80	446	7.3	6.15	1.0	6.60	476	6.8	5.76	1.0	6.90	538	6.0	5.09	1.0	7.50	608	5.4	4.51	0.9	8.00	715	4.5	3.83	0.9	8.80	172	20	5.18	4.3	3.70	GRX69 GRXF69	6P	0.26	18440	5407			114	0.95	GR139R79 GRF139R79	4P	196			18	4.53	4.2	4.60	207	17	4.30	4.1	4.70	236	15	3.77	3.9	5.90	219	16			6.07	4.0			2.80	GRX69 GRXF69			4P	0.28	16758	4914	128			2.2	GR149R79 GRF149R79				4P	257	13	5.18		3.8	5.60	294			12	4.53	3.6	7.10	309	11	4.30	3.6	7.30	353	10	3.77	3.4			9.00	416	8	3.20	3.2					12			460	7			2.89	3.1	14	524	7			2.54	3.0	18	554	6	2.40	3.0	20	652	5	2.04	2.8	26	205	17	4.35	3.3	4.00	GRX59 GRXF59	6P	0.32	14750	4325			53	0.85	GR139R79 GRF139R79	4P	235			15	3.79	3.2	4.60			251	14	3.55	3.1	5.00	242	14	5.50	3.1	2.80	GRX59 GRXF59	4P	0.37			12802	3754	60	1.05	GR109R79 GRF109R79			4P					262	13	5.07	3.0	2.80	306	11	4.35	2.9	6.10	351			9.8	3.79	2.8			7.10			0.48	9883	2898	65	1.30	GR109R79 GRF109R79	4P	0.54			8713	2555	66			1.50	0.63	7540	2211	67	1.70	0.71			6654	1951	68	1.95	0.82					5815	1705	69	2.25	0.90	5238	1536	69	2.50	1.0	4532			1329	70	2.85	1.2	3976	1166	70	3.25	0.56	8471	2484			49	0.95	GR99R59 GRF99R59	4P	0.52			9065	2658	47	0.90	0.58	8226	2412	50	0.95	0.67	7070	2073	52	1.10	0.76	6272	1839	54	1.25	0.87	5450	1598	55	1.45	0.99	4764	1397	56	1.65	1.1	4181	1226	56	1.90	1.3	3717	1090	57	2.15	1.5	3243	951	57	2.45	1.7	2834	831	57	2.80	0.99	4798	1407	22	0.90	GR109R79 GRF109R79	4P	1.1			4123	1209	29	1.05	1.3	3598	1055	31	1.20	1.5	3134	919	33	1.35	1.7			2779	815	34	1.55	1.9	2445	717	34	1.75	2.2	2135	626	35	2.00	0.99	4774	1400			24	0.90	GR109R79 GRF109R79	4P	1.1			4181	1226	29	1.05			1.3	3765	1104	31	1.15			1.5	3202	939	33	1.35	1.7	2803	822	34	1.55	1.5	3199	938	4.4	0.95	1.7	2810			824	21	1.05	1.9	2513	737	23	1.20	2.2	2155	632	24	1.40			2.5	1910	560	25	1.55	2.9	1651	484	26	1.80	3.2	1470	431	26	2.00	3.7	1293	379	27	2.30									
47	71	28.32	1.8	1.15			55	61	24.07	1.7	1.40					53	62	25.23	1.7	1.30	GR19 GRF19	4P		0.11	42568		12482	128	0.9	GR169R99 GRF169R99	4P			57	57	23.15	1.7	1.45					67	48	19.71	1.7	1.70			78	42	16.99	1.6	1.95	84	39	15.84	1.6	2.10	96	34	13.84	1.5			2.40	102	32											12.98	1.5	2.60	116	28	11.45		1.5	2.80		131	25	10.15			1.4	3.00	154	21	8.63	1.4	3.30	176	18	7.55	1.3	2.90	189	17	7.04	1.3	3.10	216	15	6.15	1.2	3.40	231	14	5.76	1.2	3.60	261	12	5.09	1.2	3.90	295	11	4.51	1.1	4.20	347	9.4	3.83	1.1	4.60	198	16	13.84	1.3	4.60	GR19 GRF19	2P	0.23	20725	6077	114	0.85			GR149R79 GRF149R79	4P	211	15	12.98					1.3	4.90	239			14	11.45	1.3			5.30	270	12			10.15	1.2	5.70	317	10			8.63	1.2	6.30					363	9.0	7.55			1.1	5.50	389	8.4	7.04	1.1	5.80	446	7.3	6.15	1.0	6.60	476	6.8	5.76	1.0	6.90	538	6.0	5.09	1.0	7.50	608	5.4	4.51	0.9	8.00	715	4.5	3.83	0.9	8.80	172	20	5.18	4.3	3.70	GRX69 GRXF69	6P	0.26	18440	5407			114	0.95	GR139R79 GRF139R79			4P	196			18			4.53	4.2	4.60	207	17	4.30	4.1	4.70	236	15	3.77	3.9	5.90	219	16	6.07			4.0	2.80	GRX69 GRXF69	4P	0.28					16758	4914	128	2.2			GR149R79 GRF149R79				4P		257	13	5.18	3.8	5.60	294	12			4.53	3.6	7.10	309	11	4.30	3.6	7.30	353	10	3.77	3.4	9.00			416	8	3.20	3.2	12	460	7			2.89			3.1	14			524	7	2.54	3.0	18			554	6	2.40	3.0	20	652	5	2.04	2.8	26	205	17	4.35	3.3	4.00	GRX59 GRXF59	6P	0.32			14750	4325	53			0.85	GR139R79 GRF139R79			4P			235	15	3.79	3.2	4.60	251	14	3.55	3.1	5.00	242	14	5.50	3.1	2.80	GRX59 GRXF59			4P			0.37	12802	3754	60							1.05	GR109R79 GRF109R79	4P	262	13	5.07	3.0	2.80	306	11	4.35	2.9	6.10			351	9.8	3.79			2.8			7.10	0.48	9883	2898	65			1.30			GR109R79 GRF109R79	4P	0.54			8713	2555	66	1.50	0.63	7540	2211			67	1.70	0.71	6654	1951	68	1.95	0.82	5815	1705	69	2.25	0.90	5238	1536	69	2.50	1.0	4532	1329			70	2.85	1.2	3976	1166	70	3.25	0.56	8471	2484	49			0.95	GR99R59 GRF99R59			4P	0.52	9065	2658	47	0.90	0.58	8226	2412	50	0.95	0.67	7070	2073	52	1.10	0.76	6272	1839	54	1.25	0.87	5450	1598	55	1.45	0.99	4764	1397	56	1.65	1.1	4181	1226	56	1.90	1.3	3717	1090	57	2.15	1.5	3243	951	57	2.45	1.7	2834	831	57	2.80	0.99	4798	1407	22	0.90	GR109R79 GRF109R79			4P			1.1	4123	1209	29	1.05	1.3	3598	1055	31	1.20	1.5	3134	919	33	1.35	1.7	2779	815	34	1.55	1.9	2445	717	34	1.75	2.2	2135	626	35	2.00	0.99	4774	1400	24			0.90	GR109R79 GRF109R79			4P			1.1	4181	1226	29			1.05	1.3	3765	1104	31	1.15	1.5	3202	939	33	1.35	1.7	2803	822	34	1.55	1.5	3199	938	4.4	0.95	1.7	2810	824			21	1.05	1.9	2513	737	23	1.20	2.2	2155	632	24	1.40	2.5			1910	560	25	1.55	2.9	1651	484	26	1.80	3.2	1470	431	26	2.00	3.7	1293	379	27	2.30										
55	61	24.07	1.7	1.40			53	62	25.23	1.7	1.30			GR19 GRF19	4P	0.11	42568	12482	128	0.9			GR169R99 GRF169R99	4P	57	57	23.15	1.7	1.45					67	48	19.71	1.7	1.70					78	42	16.99	1.6	1.95			84	39	15.84	1.6	2.10	96	34	13.84	1.5	2.40	102	32	12.98	1.5			2.60	116	28											11.45	1.5	2.80	131	25	10.15		1.4	3.00		154	21	8.63	1.4	3.30	176	18	7.55	1.3	2.90	189	17	7.04	1.3	3.10	216	15	6.15	1.2	3.40	231	14	5.76	1.2	3.60	261	12	5.09	1.2	3.90	295	11	4.51	1.1	4.20	347	9.4	3.83	1.1	4.60	198	16	13.84	1.3	4.60	GR19 GRF19	2P	0.23	20725	6077	114	0.85			GR149R79 GRF149R79	4P	211	15	12.98					1.3	4.90	239					14	11.45	1.3			5.30	270	12	10.15	1.2	5.70	317	10			8.63	1.2	6.30	363	9.0			7.55	1.1	5.50					389	8.4	7.04			1.1	5.80	446	7.3	6.15	1.0	6.60	476	6.8	5.76	1.0	6.90	538	6.0	5.09	1.0	7.50	608	5.4	4.51	0.9	8.00	715	4.5	3.83	0.9	8.80	172	20	5.18	4.3	3.70	GRX69 GRXF69	6P	0.26	18440	5407			114	0.95	GR139R79 GRF139R79			4P	196					18			4.53			4.2	4.60	207	17	4.30	4.1	4.70	236	15	3.77	3.9	5.90	219	16	6.07	4.0			2.80	GRX69 GRXF69			4P					0.28	16758	4914	128									2.2	GR149R79 GRF149R79	4P	257	13	5.18	3.8			5.60	294	12	4.53	3.6	7.10	309	11	4.30	3.6	7.30	353	10			3.77	3.4	9.00	416	8	3.20	3.2			12			460	7	2.89	3.1	14	524	7	2.54	3.0			18	554	6	2.40	3.0	20	652	5	2.04	2.8	26	205	17	4.35	3.3			4.00			GRX59 GRXF59	6P	0.32	14750	4325	53							0.85	GR139R79 GRF139R79	4P	235	15	3.79	3.2	4.60	251	14	3.55	3.1	5.00	242	14							5.50	3.1	2.80	GRX59 GRXF59					4P	0.37	12802			3754	60	1.05	GR109R79 GRF109R79	4P	262	13	5.07	3.0	2.80	306	11	4.35	2.9	6.10			351			9.8	3.79	2.8	7.10	0.48			9883					2898			65	1.30	GR109R79 GRF109R79	4P	0.54	8713	2555			66	1.50	0.63	7540	2211	67	1.70	0.71	6654	1951	68	1.95	0.82	5815	1705	69	2.25	0.90	5238	1536	69	2.50	1.0	4532	1329	70	2.85	1.2	3976	1166	70	3.25	0.56			8471		2484	49		0.95	GR99R59 GRF99R59	4P	0.52	9065	2658	47	0.90	0.58	8226	2412	50	0.95	0.67	7070	2073	52	1.10	0.76	6272	1839	54	1.25	0.87	5450	1598	55	1.45	0.99	4764	1397	56	1.65	1.1	4181	1226	56	1.90	1.3	3717	1090	57	2.15	1.5	3243	951	57	2.45	1.7	2834	831	57	2.80	0.99	4798							1407	22	0.90	GR109R79 GRF109R79	4P	1.1	4123	1209	29	1.05	1.3	3598	1055	31	1.20	1.5	3134	919	33	1.35	1.7	2779	815	34	1.55	1.9	2445	717	34	1.75	2.2	2135	626	35	2.00	0.99	4774							1400	24	0.90	GR109R79 GRF109R79			4P	1.1	4181	1226	29	1.05	1.3	3765	1104	31	1.15	1.5	3202	939	33	1.35	1.7	2803	822	34	1.55	1.5	3199	938	4.4	0.95	1.7	2810	824	21	1.05	1.9	2513	737	23	1.20	2.2	2155	632			24	1.40	2.5	1910	560	25	1.55	2.9	1651	484	26	1.80	3.2	1470	431	26	2.00	3.7	1293	379	27	2.30							
53	62	25.23	1.7	1.30	GR19 GRF19	4P	0.11	42568	12482	128	0.9	GR169R99 GRF169R99	4P																																																																																																																																																																																																																																																																																																																																																																																																																																																																																																																																																																																																																																																																											
57	57	23.15	1.7	1.45			67	48	19.71	1.7	1.70					78	42	16.99	1.6	1.95					84	39	15.84	1.6	2.10					96	34	13.84	1.5	2.40					102	32	12.98	1.5	2.60			116	28	11.45	1.5	2.80	131	25	10.15	1.4	3.00	154	21	8.63	1.4			3.30	176	18											7.55	1.3	2.90	189	17	7.04	1.3	3.10	216	15	6.15	1.2	3.40	231	14	5.76	1.2	3.60	261	12	5.09	1.2	3.90	295	11	4.51	1.1	4.20	347	9.4	3.83	1.1	4.60	198	16	13.84	1.3	4.60	GR19 GRF19	2P	0.23	20725	6077	114	0.85	GR149R79 GRF149R79	4P	211	15	12.98	1.3	4.90	239	14	11.45			1.3	5.30	270	12	10.15					1.2	5.70	317					10	8.63	1.2			6.30	363	9.0	7.55	1.1	5.50	389	8.4	7.04	1.1	5.80	446	7.3	6.15	1.0	6.60	476	6.8	5.76	1.0	6.90	538	6.0	5.09	1.0	7.50	608					5.4	4.51	0.9			8.00	715	4.5	3.83	0.9	8.80	172	20	5.18	4.3	3.70	GRX69 GRXF69	6P	0.26	18440	5407	114	0.95	GR139R79 GRF139R79	4P	196	18	4.53	4.2	4.60	207	17	4.30	4.1	4.70	236	15			3.77	3.9	5.90			219	16		6.07	4.0		2.80		GRX69 GRXF69	4P		0.28	16758	4914	128	2.2	GR149R79 GRF149R79	4P	257	13	5.18	3.8	5.60	294	12	4.53	3.6	7.10	309	11	4.30	3.6	7.30	353	10	3.77									3.4	9.00	416	8									3.20			3.2	12	460	7			2.89	3.1	14	524	7	2.54	3.0	18	554	6	2.40	3.0	20			652	5	2.04	2.8	26	205	17			4.35			3.3	4.00	GRX59 GRXF59	6P	0.32	14750	4325	53	0.85	GR139R79 GRF139R79	4P	235	15	3.79	3.2	4.60	251	14	3.55	3.1	5.00	242	14	5.50	3.1	2.80	GRX59 GRXF59	4P	0.37	12802	3754			60	1.05	GR109R79 GRF109R79	4P							262			13	5.07	3.0	2.80	306	11	4.35	2.9	6.10	351	9.8	3.79							2.8	7.10	0.48		9883	2898	65	1.30		GR109R79 GRF109R79	4P			0.54	8713	2555			66	1.50	0.63	7540	2211	67	1.70	0.71	6654	1951	68	1.95	0.82	5815	1705	69	2.25	0.90	5238	1536			69					2.50	1.0	4532	1329	70			2.85	1.2	3976			1166	70	3.25	0.56	8471	2484	49	0.95	GR99R59 GRF99R59	4P	0.52	9065	2658	47	0.90	0.58	8226	2412	50	0.95	0.67	7070	2073	52	1.10	0.76	6272	1839	54	1.25	0.87	5450	1598	55	1.45	0.99	4764	1397	56	1.65	1.1	4181	1226	56	1.90	1.3	3717	1090	57	2.15	1.5	3243	951	57	2.45	1.7	2834	831	57	2.80	0.99	4798	1407	22	0.90	GR109R79 GRF109R79	4P	1.1	4123	1209	29	1.05	1.3	3598	1055	31	1.20	1.5	3134	919	33	1.35	1.7	2779	815	34	1.55	1.9	2445	717	34	1.75	2.2	2135	626							35	2.00	0.99			4774	1400	24	0.90	GR109R79 GRF109R79	4P	1.1	4181	1226	29	1.05	1.3	3765	1104	31	1.15	1.5	3202	939	33	1.35	1.7	2803	822	34	1.55	1.5	3199	938	4.4	0.95	1.7							2810	824	21		1.05	1.9		2513	737	23	1.20	2.2	2155	632	24	1.40	2.5	1910	560	25	1.55	2.9	1651	484	26	1.80	3.2	1470	431	26	2.00	3.7	1293	379	27	2.30																																								
67	48	19.71	1.7	1.70			78	42	16.99	1.6	1.95					84	39	15.84	1.6	2.10					96	34	13.84	1.5	2.40					102	32	12.98	1.5	2.60					116	28	11.45	1.5	2.80	131	25	10.15	1.4	3.00	154	21	8.63	1.4	3.30	176	18	7.55	1.3	2.90	189			17	7.04	1.3											3.10	216	15	6.15	1.2	3.40	231	14	5.76	1.2	3.60	261	12	5.09	1.2	3.90	295	11	4.51	1.1	4.20	347	9.4	3.83	1.1	4.60	198	16	13.84	1.3	4.60	GR19 GRF19	2P	0.23	20725	6077	114	0.85			GR149R79 GRF149R79	4P	211	15	12.98			1.3	4.90	239	14	11.45	1.3	5.30	270			12	10.15	1.2	5.70	317					10	8.63	1.2			6.30	363	9.0	7.55	1.1			5.50	389	8.4	7.04	1.1	5.80	446	7.3	6.15	1.0	6.60	476	6.8	5.76	1.0	6.90	538	6.0	5.09	1.0	7.50	608	5.4	4.51	0.9	8.00	715			4.5	3.83	0.9	8.80	172			20	5.18	4.3	3.70	GRX69 GRXF69	6P	0.26	18440	5407	114	0.95			GR139R79 GRF139R79	4P	196	18	4.53			4.2	4.60	207	17	4.30	4.1	4.70	236	15	3.77	3.9	5.90			219	16	6.07	4.0	2.80	GRX69 GRXF69	4P		0.28	16758		4914	128			2.2	GR149R79 GRF149R79	4P	257	13	5.18			3.8	5.60	294	12	4.53	3.6	7.10	309	11	4.30	3.6	7.30	353	10	3.77	3.4	9.00	416									8	3.20	3.2	12	460	7			2.89	3.1			14			524	7	2.54	3.0			18	554	6	2.40	3.0	20	652	5	2.04	2.8	26	205	17			4.35	3.3	4.00	GRX59 GRXF59	6P	0.32	14750			4325			53	0.85			GR139R79 GRF139R79	4P	235	15	3.79			3.2	4.60	251	14	3.55	3.1	5.00	242	14	5.50	3.1	2.80	GRX59 GRXF59	4P	0.37			12802	3754	60	1.05	GR109R79 GRF109R79	4P	262							13	5.07	3.0			2.80	306	11	4.35	2.9	6.10	351	9.8	3.79	2.8	7.10	0.48							9883	2898	65		1.30	GR109R79 GRF109R79	4P	0.54				8713	2555	66	1.50	0.63			7540	2211	67	1.70	0.71	6654	1951	68	1.95	0.82	5815	1705	69	2.25	0.90	5238	1536	69	2.50	1.0			4532	1329	70			2.85	1.2	3976	1166	70			3.25	0.56	8471	2484	49	0.95	GR99R59 GRF99R59	4P	0.52	9065	2658	47	0.90			0.58	8226	2412	50	0.95	0.67	7070	2073	52	1.10	0.76	6272	1839	54	1.25	0.87	5450	1598	55	1.45	0.99	4764	1397	56	1.65	1.1	4181	1226	56	1.90	1.3	3717	1090	57	2.15	1.5	3243	951	57	2.45	1.7	2834	831	57	2.80	0.99	4798	1407	22	0.90	GR109R79 GRF109R79	4P	1.1	4123	1209			29	1.05	1.3	3598	1055	31	1.20	1.5	3134	919	33	1.35	1.7	2779	815	34	1.55	1.9	2445	717	34	1.75	2.2	2135	626	35	2.00	0.99					4774	1400	24	0.90	GR109R79 GRF109R79			4P	1.1	4181	1226			29	1.05	1.3	3765	1104	31	1.15	1.5	3202	939	33	1.35	1.7	2803	822	34	1.55	1.5	3199	938	4.4	0.95	1.7	2810	824	21					1.05	1.9	2513	737	23		1.20	2.2		2155	632	24	1.40	2.5	1910	560	25	1.55	2.9	1651	484	26	1.80	3.2	1470	431	26	2.00	3.7	1293	379	27	2.30																																													
78	42	16.99	1.6	1.95			84	39	15.84	1.6	2.10					96	34	13.84	1.5	2.40					102	32	12.98	1.5	2.60					116	28	11.45	1.5	2.80	131	25			10.15	1.4	3.00	154	21	8.63	1.4	3.30	176	18	7.55	1.3	2.90	189	17	7.04	1.3	3.10	216	15	6.15			1.2	3.40	231											14	5.76	1.2	3.60	261	12	5.09	1.2	3.90	295	11	4.51	1.1	4.20	347	9.4	3.83	1.1	4.60	198	16	13.84	1.3	4.60	GR19 GRF19	2P	0.23	20725	6077	114	0.85			GR149R79 GRF149R79	4P	211	15	12.98					1.3	4.90	239			14	11.45	1.3	5.30	270	12	10.15	1.2			5.70	317	10	8.63	1.2			6.30	363	9.0	7.55	1.1			5.50	389	8.4	7.04	1.1			5.80	446	7.3	6.15	1.0	6.60	476	6.8	5.76	1.0	6.90	538	6.0	5.09	1.0	7.50	608	5.4	4.51	0.9	8.00	715	4.5	3.83	0.9	8.80	172			20	5.18	4.3	3.70	GRX69 GRXF69	6P	0.26	18440	5407	114	0.95			GR139R79 GRF139R79	4P	196	18	4.53					4.2	4.60	207			17	4.30	4.1	4.70	236	15	3.77	3.9	5.90	219	16	6.07	4.0	2.80	GRX69 GRXF69	4P	0.28	16758	4914			128	2.2	GR149R79 GRF149R79	4P	257	13			5.18			3.8	5.60	294			12	4.53	3.6	7.10	309	11	4.30	3.6	7.30	353	10	3.77	3.4	9.00	416	8	3.20	3.2									12	460	7	2.89	3.1	14		524	7	2.54		3.0	18			554	6	2.40	3.0	20	652	5	2.04	2.8	26	205	17	4.35	3.3	4.00	GRX59 GRXF59	6P	0.32	14750			4325	53	0.85			GR139R79 GRF139R79	4P			235			15	3.79					3.2	4.60	251			14	3.55	3.1	5.00	242	14	5.50	3.1	2.80	GRX59 GRXF59	4P	0.37			12802			3754	60	1.05	GR109R79 GRF109R79			4P				262	13		5.07	3.0	2.80			306	11	4.35	2.9	6.10	351	9.8	3.79	2.8	7.10	0.48	9883							2898	65	1.30		GR109R79 GRF109R79			4P				0.54	8713	2555	66	1.50	0.63	7540	2211	67	1.70	0.71	6654	1951	68	1.95	0.82	5815	1705	69	2.25	0.90	5238	1536	69	2.50	1.0	4532	1329	70	2.85	1.2	3976			1166	70	3.25	0.56	8471			2484	49	0.95	GR99R59 GRF99R59	4P	0.52			9065	2658	47	0.90	0.58	8226	2412	50	0.95	0.67	7070	2073	52	1.10	0.76	6272	1839	54	1.25	0.87	5450	1598	55	1.45	0.99	4764	1397	56	1.65	1.1	4181	1226	56	1.90	1.3	3717	1090	57	2.15	1.5	3243	951	57	2.45	1.7	2834	831	57	2.80	0.99	4798	1407	22	0.90	GR109R79 GRF109R79	4P	1.1			4123	1209	29			1.05	1.3	3598	1055	31	1.20	1.5	3134	919	33	1.35	1.7	2779	815	34	1.55	1.9	2445	717	34	1.75	2.2	2135	626	35	2.00	0.99	4774		1400	24		0.90	GR109R79 GRF109R79	4P	1.1					4181	1226	29			1.05	1.3	3765	1104	31	1.15	1.5	3202	939	33	1.35	1.7	2803	822	34	1.55	1.5	3199	938	4.4	0.95	1.7	2810	824	21	1.05		1.9	2513		737	23	1.20	2.2	2155		632	24		1.40	2.5	1910	560	25	1.55	2.9	1651	484	26	1.80	3.2	1470	431	26	2.00	3.7	1293	379	27	2.30																																																
84	39	15.84	1.6	2.10			96	34	13.84	1.5	2.40					102	32	12.98	1.5	2.60					116	28	11.45	1.5	2.80	131	25			10.15	1.4	3.00	154	21	8.63	1.4			3.30	176	18	7.55	1.3	2.90	189	17	7.04	1.3	3.10	216	15	6.15	1.2	3.40	231	14	5.76	1.2	3.60			261	12	5.09											1.2	3.90	295	11	4.51	1.1	4.20	347	9.4	3.83	1.1	4.60	198	16	13.84	1.3	4.60	GR19 GRF19	2P	0.23	20725	6077	114	0.85			GR149R79 GRF149R79	4P	211	15	12.98					1.3	4.90	239					14	11.45	1.3			5.30	270	12	10.15	1.2	5.70	317	10			8.63	1.2	6.30	363	9.0			7.55	1.1	5.50	389	8.4			7.04	1.1	5.80	446	7.3			6.15	1.0	6.60	476	6.8	5.76	1.0	6.90	538	6.0	5.09	1.0	7.50	608	5.4	4.51	0.9	8.00	715	4.5	3.83	0.9	8.80	172	20	5.18	4.3	3.70	GRX69 GRXF69	6P	0.26	18440	5407			114	0.95	GR139R79 GRF139R79	4P	196					18	4.53	4.2					4.60	207	17			4.30	4.1	4.70	236	15	3.77	3.9	5.90	219	16	6.07	4.0	2.80	GRX69 GRXF69			4P	0.28	16758			4914	128			2.2	GR149R79 GRF149R79			4P			257	13	5.18			3.8	5.60	294	12	4.53	3.6	7.10	309	11	4.30	3.6	7.30	353	10	3.77	3.4	9.00	416									8	3.20	3.2	12	460	7	2.89	3.1	14	524	7	2.54	3.0			18	554	6	2.40	3.0	20	652	5	2.04	2.8	26	205	17	4.35	3.3			4.00	GRX59 GRXF59	6P	0.32	14750	4325	53							0.85			GR139R79 GRF139R79	4P	235	15			3.79	3.2	4.60			251	14	3.55	3.1	5.00	242	14	5.50	3.1			2.80			GRX59 GRXF59			4P	0.37	12802							3754	60	1.05	GR109R79 GRF109R79	4P	262	13			5.07	3.0	2.80	306	11	4.35	2.9	6.10	351	9.8	3.79	2.8					7.10	0.48	9883	2898	65									1.30	GR109R79 GRF109R79	4P	0.54	8713	2555	66	1.50	0.63	7540	2211	67	1.70	0.71	6654	1951	68	1.95	0.82	5815	1705	69	2.25	0.90	5238	1536	69	2.50	1.0	4532	1329	70	2.85	1.2	3976	1166	70	3.25	0.56			8471	2484	49			0.95	GR99R59 GRF99R59	4P	0.52	9065	2658	47	0.90	0.58	8226	2412	50	0.95	0.67	7070	2073	52	1.10	0.76	6272	1839	54	1.25	0.87	5450	1598	55	1.45	0.99	4764	1397	56	1.65	1.1	4181	1226	56	1.90	1.3	3717	1090	57	2.15	1.5	3243	951	57	2.45	1.7	2834	831	57	2.80	0.99	4798	1407	22			0.90			GR109R79 GRF109R79	4P	1.1			4123	1209	29	1.05	1.3	3598	1055	31	1.20	1.5	3134	919	33	1.35	1.7	2779	815	34	1.55	1.9	2445	717	34	1.75	2.2	2135	626	35	2.00	0.99	4774	1400	24			0.90					GR109R79 GRF109R79	4P	1.1			4181	1226	29	1.05	1.3	3765	1104	31	1.15	1.5	3202	939	33	1.35	1.7	2803	822	34	1.55	1.5	3199	938	4.4	0.95	1.7	2810	824	21	1.05	1.9	2513	737	23	1.20	2.2		2155	632		24	1.40	2.5	1910	560	25	1.55	2.9	1651	484	26	1.80	3.2	1470	431	26	2.00	3.7	1293	379	27	2.30																																															
96	34	13.84	1.5	2.40			102	32	12.98	1.5	2.60					116	28	11.45	1.5	2.80			131	25	10.15	1.4	3.00	154	21	8.63	1.4			3.30	176	18	7.55	1.3	2.90	189			17	7.04	1.3	3.10	216	15	6.15	1.2	3.40	231	14	5.76	1.2	3.60	261	12	5.09	1.2	3.90	295	11			4.51	1.1	4.20											347	9.4	3.83	1.1	4.60	198	16	13.84	1.3	4.60	GR19 GRF19	2P	0.23	20725	6077	114	0.85			GR149R79 GRF149R79	4P	211	15	12.98					1.3	4.90	239					14	11.45	1.3					5.30	270	12	10.15	1.2	5.70	317	10	8.63	1.2	6.30	363	9.0			7.55	1.1	5.50	389	8.4			7.04	1.1	5.80	446	7.3			6.15	1.0	6.60	476	6.8			5.76	1.0	6.90	538	6.0	5.09	1.0	7.50	608	5.4	4.51	0.9	8.00	715	4.5	3.83	0.9	8.80	172	20	5.18	4.3	3.70	GRX69 GRXF69	6P	0.26	18440	5407			114	0.95	GR139R79 GRF139R79			4P	196			18					4.53	4.2	4.60	207	17			4.30	4.1	4.70	236	15	3.77	3.9	5.90	219	16	6.07	4.0	2.80	GRX69 GRXF69	4P	0.28	16758	4914					128	2.2			GR149R79 GRF149R79	4P			257							13	5.18	3.8			5.60	294	12	4.53	3.6	7.10	309	11	4.30	3.6	7.30	353	10	3.77	3.4	9.00	416	8									3.20	3.2	12	460	7	2.89	3.1	14	524	7	2.54	3.0	18	554	6	2.40	3.0	20	652	5	2.04	2.8	26	205	17	4.35	3.3	4.00	GRX59 GRXF59	6P			0.32			14750	4325	53	0.85	GR139R79 GRF139R79	4P			235	15	3.79					3.2	4.60			251	14	3.55			3.1	5.00	242	14	5.50	3.1	2.80	GRX59 GRXF59	4P			0.37							12802	3754					60	1.05	GR109R79 GRF109R79	4P	262			13	5.07	3.0	2.80	306	11	4.35	2.9	6.10	351	9.8	3.79	2.8	7.10	0.48	9883		2898	65		1.30	GR109R79 GRF109R79	4P	0.54	8713									2555			66	1.50	0.63	7540	2211	67	1.70	0.71	6654	1951	68	1.95	0.82	5815	1705	69	2.25	0.90	5238	1536	69	2.50	1.0	4532	1329	70	2.85	1.2	3976	1166	70	3.25	0.56	8471	2484	49	0.95	GR99R59 GRF99R59	4P	0.52	9065	2658	47	0.90			0.58	8226	2412	50	0.95	0.67	7070	2073	52	1.10	0.76	6272	1839	54	1.25	0.87	5450	1598	55	1.45	0.99	4764	1397	56	1.65	1.1	4181	1226	56	1.90	1.3	3717	1090	57	2.15	1.5	3243	951	57	2.45	1.7	2834	831	57	2.80	0.99	4798	1407	22	0.90	GR109R79 GRF109R79	4P	1.1	4123			1209					29			1.05	1.3	3598	1055	31	1.20	1.5	3134	919	33	1.35	1.7	2779	815	34	1.55	1.9	2445	717	34	1.75	2.2	2135	626	35	2.00	0.99	4774	1400	24	0.90	GR109R79 GRF109R79	4P			1.1		4181	1226				29			1.05	1.3	3765	1104	31	1.15	1.5	3202	939	33	1.35	1.7	2803	822	34	1.55	1.5	3199	938	4.4	0.95	1.7	2810	824	21	1.05	1.9	2513	737	23	1.20	2.2	2155	632	24	1.40	2.5	1910	560	25	1.55	2.9	1651	484	26	1.80	3.2	1470	431	26	2.00	3.7	1293	379	27	2.30																																																				
102	32	12.98	1.5	2.60			116	28	11.45	1.5	2.80	131	25			10.15	1.4	3.00	154	21			8.63	1.4	3.30	176	18	7.55	1.3	2.90	189			17	7.04	1.3	3.10	216	15	6.15			1.2	3.40	231	14	5.76	1.2	3.60	261	12	5.09	1.2	3.90	295	11	4.51	1.1	4.20	347	9.4	3.83	1.1			4.60	198	16											13.84	1.3	4.60	GR19 GRF19	2P	0.23	20725	6077	114	0.85			GR149R79 GRF149R79	4P	211	15	12.98					1.3	4.90	239					14	11.45	1.3					5.30	270	12			10.15	1.2	5.70	317	10	8.63	1.2	6.30	363	9.0	7.55	1.1	5.50	389	8.4			7.04	1.1	5.80	446	7.3			6.15	1.0	6.60	476	6.8			5.76	1.0	6.90	538	6.0	5.09	1.0	7.50	608	5.4	4.51	0.9	8.00	715	4.5	3.83	0.9	8.80	172	20	5.18	4.3	3.70	GRX69 GRXF69	6P	0.26	18440	5407	114	0.95			GR139R79 GRF139R79	4P	196			18	4.53					4.2			4.60	207	17			4.30	4.1	4.70	236	15	3.77	3.9	5.90	219	16	6.07	4.0	2.80	GRX69 GRXF69	4P	0.28	16758	4914	128	2.2			GR149R79 GRF149R79	4P	257					13	5.18							3.8							5.60	294	12			4.53	3.6	7.10	309	11	4.30	3.6	7.30	353	10	3.77	3.4	9.00	416	8	3.20	3.2	12									460	7	2.89	3.1	14	524	7	2.54	3.0	18	554	6	2.40	3.0	20	652	5	2.04	2.8	26	205	17	4.35	3.3	4.00	GRX59 GRXF59	6P	0.32			14750	4325	53			0.85	GR139R79 GRF139R79	4P	235					15	3.79	3.2	4.60	251			14	3.55			3.1	5.00	242			14	5.50	3.1	2.80	GRX59 GRXF59	4P	0.37					12802							3754	60		1.05	GR109R79 GRF109R79		4P	262			13			5.07	3.0	2.80	306	11	4.35	2.9	6.10	351	9.8	3.79	2.8	7.10	0.48	9883	2898	65	1.30	GR109R79 GRF109R79	4P	0.54			8713	2555									66			1.50	0.63	7540	2211	67	1.70	0.71	6654	1951	68	1.95	0.82	5815	1705	69	2.25	0.90	5238	1536	69	2.50	1.0	4532	1329	70	2.85	1.2	3976	1166	70	3.25	0.56	8471	2484	49	0.95	GR99R59 GRF99R59			4P	0.52	9065	2658	47	0.90	0.58	8226	2412	50	0.95	0.67	7070	2073	52	1.10	0.76	6272	1839	54	1.25	0.87	5450	1598	55	1.45	0.99	4764	1397	56	1.65	1.1	4181	1226	56	1.90	1.3	3717	1090	57	2.15	1.5	3243	951	57	2.45	1.7	2834	831	57	2.80	0.99	4798	1407	22	0.90	GR109R79 GRF109R79			4P	1.1			4123					1209			29	1.05	1.3	3598	1055	31	1.20	1.5	3134	919	33	1.35	1.7	2779	815	34	1.55	1.9	2445	717	34	1.75	2.2	2135	626	35	2.00	0.99	4774	1400	24					0.90		GR109R79 GRF109R79	4P				1.1			4181	1226	29	1.05	1.3	3765	1104	31	1.15	1.5	3202	939	33	1.35	1.7	2803	822	34	1.55	1.5	3199	938	4.4	0.95	1.7	2810	824	21	1.05	1.9	2513	737	23	1.20	2.2	2155	632	24	1.40	2.5	1910	560	25	1.55	2.9	1651	484	26	1.80	3.2	1470	431	26	2.00	3.7	1293	379	27	2.30																																																	
116	28	11.45	1.5	2.80			131	25	10.15	1.4	3.00	154	21			8.63	1.4	3.30	176	18			7.55	1.3	2.90	189	17	7.04	1.3	3.10	216			15	6.15	1.2	3.40	231	14	5.76			1.2	3.60	261	12	5.09	1.2	3.90	295	11	4.51	1.1	4.20	347	9.4	3.83	1.1	4.60	198	16	13.84	1.3			4.60	GR19 GRF19	2P											0.23	20725	6077			114	0.85	GR149R79 GRF149R79	4P	211					15	12.98	1.3					4.90	239	14					11.45	1.3	5.30			270	12	10.15	1.2	5.70			317	10	8.63	1.2	6.30	363	9.0	7.55	1.1	5.50	389	8.4	7.04	1.1	5.80			446	7.3	6.15	1.0	6.60			476	6.8	5.76	1.0	6.90	538	6.0	5.09	1.0	7.50	608	5.4	4.51	0.9	8.00	715	4.5	3.83	0.9	8.80	172	20	5.18	4.3	3.70	GRX69 GRXF69	6P	0.26	18440	5407			114	0.95	GR139R79 GRF139R79	4P	196					18			4.53	4.2		4.60	207		17			4.30	4.1	4.70	236	15	3.77	3.9	5.90	219	16	6.07	4.0	2.80	GRX69 GRXF69	4P	0.28	16758	4914			128	2.2	GR149R79 GRF149R79	4P	257					13					5.18	3.8							5.60							294	12	4.53	3.6	7.10	309	11	4.30	3.6	7.30	353	10	3.77	3.4	9.00	416	8	3.20	3.2	12	460	7	2.89									3.1	14	524	7	2.54	3.0	18	554	6	2.40	3.0	20	652	5	2.04	2.8	26	205	17	4.35	3.3	4.00	GRX59 GRXF59	6P	0.32			14750			4325	53	0.85	GR139R79 GRF139R79	4P	235			15					3.79	3.2	4.60	251	14			3.55	3.1			5.00	242	14	5.50	3.1	2.80	GRX59 GRXF59	4P	0.37			12802					3754							60	1.05	GR109R79 GRF109R79	4P		262		13			5.07			3.0	2.80	306	11	4.35	2.9	6.10	351	9.8	3.79	2.8	7.10	0.48	9883	2898	65	1.30	GR109R79 GRF109R79			4P			0.54	8713	2555					66	1.50	0.63	7540			2211	67	1.70	0.71	6654	1951	68	1.95	0.82	5815	1705	69	2.25	0.90	5238	1536	69	2.50	1.0	4532	1329	70	2.85	1.2	3976	1166	70	3.25	0.56	8471	2484	49	0.95	GR99R59 GRF99R59	4P	0.52		9065	2658		47	0.90	0.58	8226	2412	50	0.95	0.67	7070	2073	52	1.10	0.76	6272	1839	54	1.25	0.87	5450	1598	55	1.45	0.99	4764	1397	56	1.65	1.1	4181	1226	56	1.90	1.3	3717	1090	57	2.15	1.5	3243	951	57	2.45	1.7	2834	831	57	2.80	0.99	4798	1407	22	0.90	GR109R79 GRF109R79	4P	1.1					4123			1209					29	1.05	1.3	3598	1055	31	1.20	1.5	3134	919	33	1.35	1.7	2779	815	34	1.55	1.9	2445	717	34	1.75	2.2	2135	626	35	2.00	0.99	4774	1400	24	0.90	GR109R79 GRF109R79	4P					1.1							4181	1226	29	1.05	1.3	3765	1104	31	1.15	1.5	3202	939	33	1.35	1.7	2803	822	34	1.55	1.5	3199	938	4.4	0.95	1.7	2810	824	21	1.05	1.9	2513	737	23	1.20	2.2	2155	632	24	1.40	2.5	1910	560	25	1.55	2.9	1651	484	26	1.80	3.2	1470	431	26	2.00	3.7	1293	379	27	2.30																																																				
131	25	10.15	1.4	3.00			154	21	8.63	1.4	3.30	176	18			7.55	1.3	2.90	189	17			7.04	1.3	3.10	216	15	6.15	1.2	3.40	231			14	5.76	1.2	3.60	261	12	5.09			1.2	3.90	295	11	4.51	1.1	4.20	347	9.4	3.83	1.1	4.60	198	16	13.84	1.3	4.60	GR19 GRF19	2P	0.23	20725			6077													114	0.85	GR149R79 GRF149R79			4P	211			15					12.98	1.3	4.90					239	14	11.45			1.3	5.30	270	12	10.15			1.2	5.70	317	10	8.63			1.2	6.30	363	9.0	7.55	1.1	5.50	389	8.4	7.04	1.1	5.80	446	7.3	6.15			1.0	6.60	476	6.8	5.76	1.0	6.90	538	6.0	5.09	1.0	7.50	608	5.4	4.51	0.9	8.00	715	4.5	3.83	0.9	8.80	172	20	5.18	4.3	3.70	GRX69 GRXF69	6P	0.26	18440	5407			114	0.95	GR139R79 GRF139R79			4P	196			18					4.53	4.2	4.60	207	17		4.30	4.1		4.70	236	15	3.77	3.9	5.90	219	16	6.07	4.0	2.80	GRX69 GRXF69	4P	0.28	16758	4914			128	2.2	GR149R79 GRF149R79			4P	257			13					5.18					3.8	5.60							294					12	4.53	3.6	7.10	309	11	4.30	3.6	7.30	353	10	3.77	3.4	9.00	416	8	3.20	3.2	12	460	7	2.89	3.1	14	524						7	2.54		3.0	18	554	6	2.40	3.0	20	652	5	2.04	2.8	26	205	17	4.35	3.3	4.00	GRX59 GRXF59	6P	0.32	14750	4325			53			0.85	GR139R79 GRF139R79	4P	235	15	3.79			3.2			4.60					251	14	3.55	3.1	5.00			242	14	5.50	3.1	2.80	GRX59 GRXF59	4P	0.37	12802	3754			60			1.05					GR109R79 GRF109R79							4P	262				13		5.07			3.0	2.80	306	11	4.35	2.9	6.10	351	9.8	3.79	2.8	7.10	0.48	9883	2898	65	1.30	GR109R79 GRF109R79	4P	0.54							8713	2555	66		1.50	0.63		7540	2211	67	1.70			0.71	6654	1951	68	1.95	0.82	5815	1705	69	2.25	0.90	5238	1536	69	2.50	1.0	4532	1329	70	2.85	1.2	3976	1166	70	3.25	0.56	8471	2484	49	0.95	GR99R59 GRF99R59	4P	0.52			9065	2658	47	0.90	0.58	8226	2412	50	0.95	0.67	7070	2073	52	1.10	0.76	6272	1839	54	1.25	0.87	5450	1598	55	1.45	0.99	4764	1397	56	1.65	1.1	4181	1226	56	1.90	1.3	3717	1090	57	2.15	1.5	3243	951	57	2.45	1.7	2834	831	57	2.80	0.99	4798	1407	22	0.90	GR109R79 GRF109R79	4P	1.1			4123					1209			29	1.05	1.3			3598	1055	31	1.20	1.5	3134	919	33	1.35	1.7	2779	815	34	1.55	1.9	2445	717	34	1.75	2.2	2135	626	35	2.00	0.99	4774	1400	24	0.90	GR109R79 GRF109R79	4P	1.1							4181	1226			29			1.05	1.3	3765	1104	31	1.15	1.5	3202	939	33	1.35	1.7	2803	822	34	1.55	1.5	3199	938	4.4	0.95	1.7	2810	824	21	1.05	1.9	2513	737	23	1.20	2.2	2155	632	24	1.40	2.5	1910	560	25	1.55	2.9	1651	484	26	1.80	3.2	1470	431	26	2.00	3.7	1293	379	27	2.30																																																							
154	21	8.63	1.4	3.30			176	18	7.55	1.3	2.90	189	17			7.04	1.3	3.10	216	15			6.15	1.2	3.40	231	14	5.76	1.2	3.60	261			12	5.09	1.2	3.90	295	11	4.51			1.1	4.20	347	9.4	3.83	1.1	4.60	198	16	13.84	1.3	4.60	GR19 GRF19	2P	0.23	20725	6077			114	0.85			GR149R79 GRF149R79													4P	211					15			12.98					1.3	4.90	239			14	11.45	1.3	5.30	270			12	10.15	1.2	5.70	317			10	8.63	1.2	6.30	363			9.0	7.55	1.1	5.50	389	8.4	7.04	1.1	5.80	446	7.3	6.15	1.0	6.60	476	6.8	5.76	1.0	6.90	538	6.0	5.09	1.0	7.50	608	5.4	4.51	0.9	8.00	715	4.5	3.83	0.9	8.80	172	20	5.18	4.3	3.70	GRX69 GRXF69	6P	0.26	18440	5407			114	0.95	GR139R79 GRF139R79			4P	196					18			4.53	4.2	4.60			207	17	4.30	4.1	4.70	236	15	3.77	3.9	5.90	219	16	6.07	4.0	2.80	GRX69 GRXF69	4P	0.28	16758	4914			128	2.2	GR149R79 GRF149R79			4P	257					13			5.18					3.8					5.60	294					12	4.53	3.6					7.10	309	11	4.30	3.6	7.30	353	10	3.77	3.4	9.00	416	8	3.20	3.2	12	460	7	2.89	3.1	14	524	7	2.54	3.0					18	554	6	2.40	3.0	20	652	5	2.04	2.8	26	205	17	4.35	3.3	4.00	GRX59 GRXF59	6P	0.32	14750	4325			53	0.85	GR139R79 GRF139R79			4P	235	15	3.79			3.2	4.60	251			14			3.55			3.1	5.00	242	14	5.50	3.1	2.80			GRX59 GRXF59	4P	0.37	12802	3754			60	1.05	GR109R79 GRF109R79			4P			262									13	5.07			3.0				2.80		306	11	4.35	2.9	6.10	351	9.8	3.79	2.8	7.10	0.48	9883	2898	65	1.30	GR109R79 GRF109R79	4P	0.54	8713	2555			66							1.50	0.63	7540	2211	67	1.70	0.71	6654	1951	68	1.95			0.82	5815	1705	69	2.25	0.90	5238	1536	69	2.50	1.0	4532	1329	70	2.85	1.2	3976	1166	70	3.25	0.56	8471	2484	49	0.95	GR99R59 GRF99R59	4P	0.52	9065	2658			47	0.90	0.58	8226	2412	50	0.95	0.67	7070	2073	52	1.10	0.76	6272	1839	54	1.25	0.87	5450	1598	55	1.45	0.99	4764	1397	56	1.65	1.1	4181	1226	56	1.90	1.3	3717	1090	57	2.15	1.5	3243	951	57	2.45	1.7	2834	831	57	2.80	0.99	4798	1407	22	0.90	GR109R79 GRF109R79	4P	1.1	4123	1209			29			1.05					1.3	3598	1055	31	1.20	1.5			3134	919	33	1.35	1.7	2779	815	34	1.55	1.9	2445	717	34	1.75	2.2	2135	626	35	2.00	0.99	4774	1400	24	0.90	GR109R79 GRF109R79	4P	1.1	4181	1226			29					1.05	1.3	3765	1104			31			1.15	1.5	3202	939	33	1.35	1.7	2803	822	34	1.55	1.5	3199	938	4.4	0.95	1.7	2810	824	21	1.05	1.9	2513	737	23	1.20	2.2	2155	632	24	1.40	2.5	1910	560	25	1.55	2.9	1651	484	26	1.80	3.2	1470	431	26	2.00	3.7	1293	379	27	2.30																																																												
176	18	7.55	1.3	2.90			189	17	7.04	1.3	3.10	216	15			6.15	1.2	3.40	231	14			5.76	1.2	3.60	261	12	5.09	1.2	3.90	295			11	4.51	1.1	4.20	347	9.4	3.83			1.1	4.60	198	16	13.84	1.3	4.60	GR19 GRF19	2P	0.23	20725	6077			114	0.85	GR149R79 GRF149R79			4P	211										15	12.98						1.3					4.90			239			14	11.45	1.3	5.30	270			12	10.15	1.2	5.70	317			10	8.63	1.2	6.30	363			9.0	7.55	1.1	5.50	389			8.4	7.04	1.1	5.80	446	7.3	6.15	1.0	6.60	476	6.8	5.76	1.0	6.90	538	6.0	5.09	1.0	7.50	608	5.4	4.51	0.9	8.00	715	4.5	3.83	0.9	8.80	172	20	5.18	4.3	3.70	GRX69 GRXF69	6P	0.26	18440	5407			114	0.95	GR139R79 GRF139R79			4P	196					18		4.53	4.2		4.60			207	17	4.30	4.1	4.70	236	15	3.77	3.9	5.90	219	16	6.07	4.0	2.80	GRX69 GRXF69	4P	0.28	16758	4914			128	2.2	GR149R79 GRF149R79			4P	257					13					5.18			3.8					5.60					294	12					4.53	3.6	7.10	309			11	4.30	3.6	7.30	353	10	3.77	3.4	9.00	416	8	3.20	3.2	12	460	7	2.89	3.1	14	524	7	2.54	3.0	18	554	6		2.40	3.0		20	652	5	2.04	2.8	26	205	17	4.35	3.3	4.00	GRX59 GRXF59	6P	0.32	14750	4325			53	0.85	GR139R79 GRF139R79			4P	235		15	3.79		3.2	4.60	251			14	3.55	3.1			5.00			242			14	5.50	3.1	2.80	GRX59 GRXF59	4P	0.37	12802	3754			60	1.05	GR109R79 GRF109R79			4P	262							13						5.07	3.0		2.80	306			11			4.35	2.9	6.10	351	9.8	3.79	2.8	7.10	0.48	9883	2898	65	1.30	GR109R79 GRF109R79	4P	0.54	8713	2555			66	1.50	0.63			7540							2211	67	1.70	0.71	6654	1951	68	1.95	0.82	5815	1705	69	2.25	0.90	5238	1536	69	2.50	1.0	4532	1329	70	2.85	1.2	3976	1166	70	3.25	0.56	8471	2484	49	0.95	GR99R59 GRF99R59	4P	0.52	9065	2658			47	0.90	0.58	8226	2412	50	0.95	0.67	7070	2073	52	1.10	0.76	6272	1839	54	1.25	0.87	5450	1598	55	1.45	0.99	4764	1397	56	1.65	1.1	4181	1226	56	1.90	1.3	3717	1090	57	2.15	1.5	3243	951	57	2.45	1.7	2834	831	57	2.80	0.99	4798	1407	22	0.90	GR109R79 GRF109R79	4P	1.1	4123	1209			29	1.05	1.3			3598			1055					31	1.20	1.5	3134	919	33	1.35	1.7	2779	815	34	1.55	1.9	2445	717	34	1.75	2.2	2135	626	35	2.00	0.99	4774	1400	24	0.90	GR109R79 GRF109R79	4P	1.1	4181	1226			29	1.05	1.3			3765					1104	31	1.15	1.5			3202	939	33	1.35	1.7	2803	822	34	1.55	1.5	3199	938	4.4	0.95	1.7	2810	824	21	1.05	1.9	2513	737	23	1.20	2.2	2155	632	24	1.40	2.5	1910	560	25	1.55	2.9	1651	484	26	1.80	3.2	1470	431	26	2.00	3.7	1293	379	27	2.30																																																																	
189	17	7.04	1.3	3.10			216	15	6.15	1.2	3.40	231	14			5.76	1.2	3.60	261	12			5.09	1.2	3.90	295	11	4.51	1.1	4.20	347			9.4	3.83	1.1	4.60	198	16	13.84			1.3	4.60	GR19 GRF19	2P	0.23	20725	6077			114	0.85	GR149R79 GRF149R79			4P	211					15									12.98	1.3	4.90	239					14					11.45	1.3	5.30	270			12	10.15	1.2	5.70	317			10	8.63	1.2	6.30	363			9.0	7.55	1.1	5.50	389			8.4	7.04	1.1	5.80	446	7.3	6.15	1.0	6.60	476	6.8	5.76	1.0	6.90	538	6.0	5.09	1.0	7.50	608	5.4	4.51	0.9	8.00	715	4.5	3.83	0.9	8.80	172	20	5.18	4.3	3.70	GRX69 GRXF69	6P	0.26	18440	5407	114	0.95			GR139R79 GRF139R79	4P	196			18	4.53					4.2		4.60	207		17		4.30	4.1		4.70	236	15	3.77	3.9	5.90	219	16	6.07	4.0	2.80	GRX69 GRXF69	4P	0.28	16758	4914	128	2.2			GR149R79 GRF149R79	4P	257			13	5.18					3.8					5.60					294			12					4.53					3.6	7.10			309	11	4.30	3.6	7.30	353			10	3.77	3.4	9.00	416	8	3.20	3.2	12	460	7	2.89	3.1	14	524	7	2.54	3.0	18	554	6	2.40	3.0	20	652	5	2.04	2.8	26	205	17	4.35	3.3	4.00	GRX59 GRXF59	6P	0.32	14750	4325	53	0.85			GR139R79 GRF139R79	4P	235			15	3.79		3.2	4.60		251		14	3.55		3.1	5.00	242			14	5.50	3.1			2.80			GRX59 GRXF59	4P	0.37	12802	3754	60	1.05			GR109R79 GRF109R79	4P	262			13	5.07					3.0							2.80			306	11		4.35	2.9		6.10	351			9.8	3.79	2.8	7.10	0.48	9883	2898	65	1.30	GR109R79 GRF109R79	4P	0.54	8713	2555	66	1.50			0.63	7540	2211			67	1.70	0.71			6654					1951	68	1.95	0.82	5815	1705	69	2.25	0.90	5238	1536	69	2.50	1.0	4532	1329	70	2.85	1.2	3976	1166	70	3.25	0.56	8471	2484	49	0.95	GR99R59 GRF99R59	4P	0.52	9065	2658	47	0.90			0.58	8226	2412	50	0.95	0.67	7070	2073	52	1.10	0.76	6272	1839	54	1.25	0.87	5450	1598	55	1.45	0.99	4764	1397	56	1.65	1.1	4181	1226	56	1.90	1.3	3717	1090	57	2.15	1.5	3243	951	57	2.45	1.7	2834	831	57	2.80	0.99	4798	1407	22	0.90	GR109R79 GRF109R79	4P	1.1	4123	1209	29	1.05			1.3	3598	1055			31	1.20	1.5			3134			919		33	1.35		1.7	2779	815	34	1.55	1.9	2445	717	34	1.75	2.2	2135	626	35	2.00	0.99	4774	1400	24	0.90	GR109R79 GRF109R79	4P	1.1	4181	1226	29	1.05			1.3	3765	1104			31	1.15	1.5			3202			939	33	1.35	1.7	2803	822			34	1.55	1.5	3199	938	4.4	0.95	1.7	2810	824	21	1.05	1.9	2513	737	23	1.20	2.2	2155	632	24	1.40	2.5	1910	560	25	1.55	2.9	1651	484	26	1.80	3.2	1470	431	26	2.00	3.7	1293	379	27	2.30																																																																								
216	15	6.15	1.2	3.40			231	14	5.76	1.2	3.60	261	12			5.09	1.2	3.90	295	11			4.51	1.1	4.20	347	9.4	3.83	1.1	4.60	198			16	13.84	1.3	4.60	GR19 GRF19	2P	0.23			20725	6077			114	0.85	GR149R79 GRF149R79			4P	211					15					12.98								1.3	4.90	239	14	11.45	1.3				5.30	270			12	10.15	1.2	5.70	317			10	8.63	1.2	6.30	363			9.0	7.55	1.1	5.50	389			8.4	7.04	1.1	5.80	446	7.3	6.15	1.0	6.60	476	6.8	5.76	1.0	6.90	538	6.0	5.09	1.0	7.50	608	5.4	4.51	0.9	8.00	715	4.5	3.83	0.9	8.80	172	20	5.18	4.3	3.70	GRX69 GRXF69	6P	0.26	18440	5407	114	0.95			GR139R79 GRF139R79	4P	196	18	4.53					4.2			4.60	207		17	4.30		4.1		4.70	236		15	3.77	3.9	5.90	219	16	6.07	4.0	2.80	GRX69 GRXF69	4P	0.28	16758	4914	128	2.2			GR149R79 GRF149R79	4P	257	13	5.18					3.8			5.60	294					12					4.53					3.6			7.10			309	11	4.30					3.6	7.30			353	10	3.77	3.4	9.00	416			8	3.20	3.2	12	460	7	2.89	3.1	14	524	7	2.54	3.0	18	554	6	2.40	3.0	20	652	5	2.04	2.8	26	205	17	4.35	3.3	4.00	GRX59 GRXF59	6P	0.32	14750	4325			53	0.85	GR139R79 GRF139R79	4P	235					15	3.79	3.2	4.60	251		14	3.55		3.1		5.00	242		14	5.50	3.1			2.80	GRX59 GRXF59	4P			0.37	12802	3754			60	1.05	GR109R79 GRF109R79	4P	262					13			5.07	3.0					2.80							306			11	4.35	2.9	6.10	351	9.8	3.79	2.8	7.10	0.48	9883	2898	65	1.30	GR109R79 GRF109R79	4P	0.54	8713	2555			66	1.50	0.63	7540	2211			67	1.70	0.71			6654	1951	68			1.95		0.82	5815		1705	69	2.25	0.90	5238	1536	69	2.50	1.0	4532	1329	70	2.85	1.2	3976	1166	70	3.25	0.56	8471	2484	49	0.95	GR99R59 GRF99R59	4P	0.52	9065	2658			47	0.90	0.58	8226	2412	50	0.95	0.67	7070	2073	52	1.10	0.76	6272	1839	54	1.25	0.87	5450	1598	55	1.45	0.99	4764	1397	56	1.65	1.1	4181	1226	56	1.90	1.3	3717	1090	57	2.15	1.5	3243	951	57	2.45	1.7	2834	831	57	2.80	0.99	4798	1407	22	0.90	GR109R79 GRF109R79	4P	1.1	4123	1209			29	1.05	1.3	3598	1055			31	1.20	1.5			3134	919	33			1.35			1.7	2779	815	34	1.55	1.9	2445	717	34	1.75	2.2	2135	626	35	2.00	0.99	4774	1400	24	0.90	GR109R79 GRF109R79	4P	1.1	4181	1226			29	1.05	1.3	3765	1104			31	1.15	1.5			3202	939	33			1.35			1.7	2803	822	34	1.55	1.5	3199	938	4.4	0.95	1.7	2810	824	21	1.05	1.9	2513	737	23	1.20	2.2	2155	632	24	1.40	2.5	1910	560	25	1.55	2.9	1651	484	26	1.80	3.2	1470	431	26	2.00	3.7	1293	379	27	2.30																																																																													
231	14	5.76	1.2	3.60			261	12	5.09	1.2	3.90	295	11			4.51	1.1	4.20	347	9.4			3.83	1.1	4.60	198	16	13.84	1.3	4.60	GR19 GRF19			2P	0.23	20725	6077			114			0.85	GR149R79 GRF149R79			4P	211					15					12.98					1.3			4.90				239	14	11.45	1.3	5.30	270	12	10.15		1.2	5.70	317			10	8.63	1.2	6.30	363			9.0	7.55	1.1	5.50	389			8.4	7.04	1.1	5.80	446	7.3	6.15	1.0	6.60	476	6.8	5.76	1.0	6.90	538	6.0	5.09	1.0	7.50	608	5.4	4.51	0.9	8.00	715	4.5	3.83	0.9	8.80	172	20	5.18	4.3	3.70	GRX69 GRXF69	6P	0.26	18440	5407	114	0.95			GR139R79 GRF139R79	4P	196	18	4.53					4.2	4.60	207					17	4.30	4.1	4.70	236		15	3.77		3.9	5.90	219	16	6.07	4.0	2.80	GRX69 GRXF69	4P	0.28	16758	4914	128	2.2			GR149R79 GRF149R79	4P	257	13	5.18					3.8	5.60	294					12			4.53	3.6					7.10					309					11	4.30	3.6	7.30			353	10	3.77					3.4	9.00			416	8	3.20	3.2	12	460	7	2.89	3.1	14	524	7	2.54	3.0	18	554	6	2.40	3.0	20	652	5	2.04	2.8	26	205	17	4.35	3.3	4.00	GRX59 GRXF59	6P	0.32	14750	4325	53	0.85			GR139R79 GRF139R79	4P	235			15	3.79			3.2	4.60	251			14	3.55	3.1	5.00	242		14	5.50		3.1		2.80	GRX59 GRXF59		4P	0.37	12802			3754			60	1.05	GR109R79 GRF109R79	4P	262			13	5.07			3.0					2.80			306	11					4.35	2.9			6.10			351	9.8	3.79	2.8	7.10	0.48	9883	2898	65	1.30	GR109R79 GRF109R79	4P	0.54	8713	2555	66	1.50			0.63	7540	2211			67	1.70	0.71	6654	1951			68	1.95	0.82			5815	1705	69			2.25	0.90	5238	1536	69	2.50	1.0	4532	1329	70	2.85	1.2	3976	1166	70	3.25	0.56	8471	2484	49	0.95	GR99R59 GRF99R59	4P	0.52	9065	2658	47	0.90			0.58	8226	2412	50	0.95	0.67	7070	2073	52	1.10	0.76	6272	1839	54	1.25	0.87	5450	1598	55	1.45	0.99	4764	1397	56	1.65	1.1	4181	1226	56	1.90	1.3	3717	1090	57	2.15	1.5	3243	951	57	2.45	1.7	2834	831	57	2.80	0.99	4798	1407	22	0.90	GR109R79 GRF109R79	4P	1.1	4123	1209	29	1.05			1.3	3598	1055			31	1.20	1.5	3134	919			33	1.35	1.7			2779	815	34			1.55	1.9	2445	717	34	1.75	2.2	2135	626	35	2.00	0.99	4774	1400	24	0.90	GR109R79 GRF109R79	4P	1.1	4181	1226	29	1.05			1.3	3765	1104			31	1.15	1.5	3202	939			33	1.35	1.7			2803	822	34			1.55	1.5	3199	938	4.4	0.95	1.7	2810	824	21	1.05	1.9	2513	737	23	1.20	2.2	2155	632	24	1.40	2.5	1910	560	25	1.55	2.9	1651	484	26	1.80	3.2	1470	431	26	2.00	3.7	1293	379	27	2.30																																																																																				
261	12	5.09	1.2	3.90			295	11	4.51	1.1	4.20	347	9.4			3.83	1.1	4.60	198	16			13.84	1.3	4.60	GR19 GRF19	2P	0.23	20725	6077					114	0.85	GR149R79 GRF149R79			4P			211					15					12.98					1.3	4.90			239	14			11.45			1.3	5.30	270	12	10.15	1.2	5.70	317	10	8.63	1.2	6.30	363			9.0	7.55	1.1	5.50	389			8.4	7.04	1.1	5.80	446	7.3	6.15	1.0	6.60	476	6.8	5.76	1.0	6.90	538	6.0	5.09	1.0	7.50	608	5.4	4.51	0.9	8.00	715	4.5	3.83	0.9	8.80	172	20	5.18	4.3	3.70	GRX69 GRXF69	6P	0.26	18440	5407	114	0.95			GR139R79 GRF139R79	4P	196	18	4.53					4.2	4.60	207					17	4.30	4.1	4.70	236			15	3.77	3.9	5.90	219	16	6.07	4.0	2.80	GRX69 GRXF69	4P	0.28	16758	4914	128	2.2			GR149R79 GRF149R79	4P	257	13	5.18					3.8	5.60	294					12	4.53	3.6					7.10			309	11					4.30					3.6	7.30			353	10	3.77	3.4	9.00			416	8	3.20					3.2	12	460	7	2.89	3.1	14	524	7	2.54	3.0	18	554	6	2.40	3.0	20	652	5	2.04	2.8	26	205	17	4.35	3.3	4.00	GRX59 GRXF59	6P	0.32	14750	4325	53	0.85			GR139R79 GRF139R79	4P	235	15	3.79					3.2	4.60	251	14	3.55			3.1	5.00	242			14	5.50	3.1	2.80	GRX59 GRXF59		4P	0.37		12802		3754				60	1.05	GR109R79 GRF109R79	4P	262			13	5.07			3.0			2.80	306			11					4.35			2.9	6.10	351			9.8	3.79	2.8			7.10	0.48	9883	2898	65	1.30	GR109R79 GRF109R79	4P	0.54	8713	2555	66	1.50			0.63	7540	2211	67	1.70			0.71	6654	1951			68	1.95	0.82	5815	1705			69	2.25	0.90			5238	1536	69	2.50	1.0	4532	1329	70	2.85	1.2	3976	1166	70	3.25	0.56	8471	2484	49	0.95	GR99R59 GRF99R59	4P	0.52	9065	2658	47	0.90			0.58	8226	2412	50	0.95	0.67	7070	2073	52	1.10	0.76	6272	1839	54	1.25	0.87	5450	1598	55	1.45	0.99	4764	1397	56	1.65	1.1	4181	1226	56	1.90	1.3	3717	1090	57	2.15	1.5	3243	951	57	2.45	1.7	2834	831	57	2.80	0.99	4798	1407	22	0.90	GR109R79 GRF109R79	4P	1.1	4123	1209	29	1.05			1.3	3598	1055	31	1.20			1.5	3134	919			33	1.35	1.7	2779	815			34	1.55	1.9			2445	717	34	1.75	2.2	2135	626	35	2.00	0.99	4774	1400	24	0.90	GR109R79 GRF109R79	4P	1.1	4181	1226	29	1.05			1.3	3765	1104	31	1.15			1.5	3202	939			33	1.35	1.7	2803	822			34	1.55	1.5			3199	938	4.4	0.95	1.7	2810	824	21	1.05	1.9	2513	737	23	1.20	2.2	2155	632	24	1.40	2.5	1910	560	25	1.55	2.9	1651	484	26	1.80	3.2	1470	431	26	2.00	3.7	1293	379	27	2.30																																																																																											
295	11	4.51	1.1	4.20			347	9.4	3.83	1.1	4.60	198	16			13.84	1.3	4.60	GR19 GRF19	2P			0.23	20725	6077			114	0.85	GR149R79 GRF149R79					4P	211							15					12.98					1.3	4.90			239	14	11.45			1.3	5.30	270	12	10.15			1.2	5.70	317	10	8.63	1.2	6.30	363	9.0	7.55	1.1	5.50	389			8.4	7.04	1.1	5.80	446	7.3	6.15	1.0	6.60	476	6.8	5.76	1.0	6.90	538	6.0	5.09	1.0	7.50	608	5.4	4.51	0.9	8.00	715	4.5	3.83	0.9	8.80	172	20	5.18	4.3	3.70	GRX69 GRXF69	6P	0.26	18440	5407	114	0.95			GR139R79 GRF139R79	4P	196	18	4.53					4.2	4.60	207					17	4.30	4.1	4.70	236			15	3.77	3.9	5.90	219	16	6.07	4.0	2.80	GRX69 GRXF69	4P	0.28	16758	4914	128	2.2			GR149R79 GRF149R79	4P	257	13	5.18					3.8	5.60	294					12	4.53	3.6					7.10	309	11					4.30			3.6	7.30					353	10			3.77	3.4	9.00			416	8	3.20	3.2	12			460	7	2.89		3.1	14		524	7	2.54	3.0	18	554	6	2.40	3.0	20	652	5	2.04	2.8	26	205	17	4.35	3.3	4.00	GRX59 GRXF59	6P	0.32	14750	4325	53	0.85			GR139R79 GRF139R79	4P	235	15	3.79					3.2	4.60	251	14	3.55			3.1	5.00	242	14	5.50			3.1	2.80	GRX59 GRXF59			4P	0.37	12802	3754				60		1.05	GR109R79 GRF109R79	4P		262		13	5.07			3.0			2.80	306			11			4.35	2.9			6.10			351	9.8	3.79			2.8	7.10	0.48			9883	2898	65	1.30	GR109R79 GRF109R79	4P	0.54	8713	2555	66	1.50			0.63	7540	2211	67	1.70			0.71	6654	1951	68	1.95			0.82	5815	1705			69	2.25	0.90	5238	1536			69	2.50	1.0	4532	1329	70	2.85	1.2	3976	1166	70	3.25	0.56	8471	2484	49	0.95	GR99R59 GRF99R59	4P	0.52	9065	2658	47	0.90			0.58	8226	2412	50	0.95	0.67	7070	2073	52	1.10	0.76	6272	1839	54	1.25	0.87	5450	1598	55	1.45	0.99	4764	1397	56	1.65	1.1	4181	1226	56	1.90	1.3	3717	1090	57	2.15	1.5	3243	951	57	2.45	1.7	2834	831	57	2.80	0.99	4798	1407	22	0.90	GR109R79 GRF109R79	4P	1.1	4123	1209	29	1.05			1.3	3598	1055	31	1.20			1.5	3134	919	33	1.35			1.7	2779	815			34	1.55	1.9	2445	717			34	1.75	2.2	2135	626	35	2.00	0.99	4774	1400	24	0.90	GR109R79 GRF109R79	4P	1.1	4181	1226	29	1.05			1.3	3765	1104	31	1.15			1.5	3202	939	33	1.35			1.7	2803	822			34	1.55	1.5	3199	938			4.4	0.95	1.7	2810	824	21	1.05	1.9	2513	737	23	1.20	2.2	2155	632	24	1.40	2.5	1910	560	25	1.55	2.9	1651	484	26	1.80	3.2	1470	431	26	2.00	3.7	1293	379	27	2.30																																																																																																		
347	9.4	3.83	1.1	4.60			198	16	13.84	1.3	4.60	GR19 GRF19	2P			0.23	20725	6077					114	0.85	GR149R79 GRF149R79			4P	211							15							12.98					1.3	4.90			239	14	11.45			1.3	5.30	270			12	10.15	1.2	5.70	317			10	8.63	1.2	6.30	363	9.0	7.55	1.1	5.50	389	8.4	7.04	1.1	5.80	446	7.3	6.15	1.0	6.60	476	6.8	5.76	1.0	6.90	538	6.0	5.09	1.0	7.50	608	5.4	4.51	0.9	8.00	715	4.5	3.83	0.9	8.80	172	20	5.18	4.3	3.70	GRX69 GRXF69	6P	0.26	18440	5407			114	0.95	GR139R79 GRF139R79	4P	196					18	4.53	4.2					4.60	207	17	4.30	4.1			4.70	236	15	3.77	3.9	5.90	219	16	6.07	4.0	2.80	GRX69 GRXF69	4P	0.28	16758	4914			128	2.2	GR149R79 GRF149R79	4P	257					13	5.18	3.8					5.60	294	12					4.53	3.6	7.10					309	11	4.30					3.6			7.30	353	10			3.77	3.4	9.00			416	8	3.20			3.2	12	460	7	2.89			3.1	14	524	7	2.54	3.0	18	554	6	2.40	3.0	20	652	5	2.04	2.8	26	205	17	4.35	3.3	4.00	GRX59 GRXF59	6P	0.32	14750	4325			53	0.85	GR139R79 GRF139R79	4P	235					15	3.79	3.2	4.60	251			14	3.55	3.1	5.00	242			14	5.50	3.1	2.80	GRX59 GRXF59			4P	0.37					12802	3754	60		1.05		GR109R79 GRF109R79	4P	262				13		5.07	3.0			2.80			306	11			4.35			2.9	6.10	351	9.8	3.79			2.8	7.10	0.48			9883	2898	65	1.30	GR109R79 GRF109R79	4P	0.54	8713	2555			66	1.50	0.63	7540	2211			67	1.70	0.71	6654	1951			68	1.95	0.82	5815	1705			69	2.25	0.90			5238	1536	69	2.50	1.0	4532	1329	70	2.85	1.2	3976	1166	70	3.25	0.56	8471	2484	49	0.95	GR99R59 GRF99R59	4P	0.52	9065	2658			47	0.90	0.58	8226	2412	50	0.95	0.67	7070	2073	52	1.10	0.76	6272	1839	54	1.25	0.87	5450	1598	55	1.45	0.99	4764	1397	56	1.65	1.1	4181	1226	56	1.90	1.3	3717	1090	57	2.15	1.5	3243	951	57	2.45	1.7	2834	831	57	2.80	0.99	4798	1407	22	0.90	GR109R79 GRF109R79	4P	1.1	4123	1209			29	1.05	1.3	3598	1055			31	1.20	1.5	3134	919			33	1.35	1.7	2779	815			34	1.55	1.9			2445	717	34	1.75	2.2	2135	626	35	2.00	0.99	4774	1400	24	0.90	GR109R79 GRF109R79	4P	1.1	4181	1226			29	1.05	1.3	3765	1104			31	1.15	1.5	3202	939			33	1.35	1.7	2803	822			34	1.55	1.5			3199	938	4.4	0.95	1.7	2810	824	21	1.05	1.9	2513	737	23	1.20	2.2	2155	632	24	1.40	2.5	1910	560	25	1.55	2.9	1651	484	26	1.80	3.2	1470	431	26	2.00	3.7	1293	379	27	2.30																																																																																																							
198	16	13.84	1.3	4.60			GR19 GRF19	2P	0.23	20725	6077					114	0.85	GR149R79 GRF149R79					4P																																																																																																																																																																																																																																																																																																																																																																																																																																																																																																																																																																																																																																																																	
211	15	12.98	1.3	4.90					239	14	11.45					1.3	5.30							270					12			10.15	1.2			5.70	317			10	8.63	1.2	6.30	363			9.0	7.55	1.1			5.50	389	8.4			7.04	1.1	5.80	446	7.3	6.15	1.0	6.60	476	6.8	5.76	1.0	6.90	538	6.0	5.09	1.0	7.50	608	5.4	4.51	0.9	8.00	715	4.5	3.83	0.9	8.80	172	20	5.18	4.3	3.70	GRX69 GRXF69	6P	0.26	18440	5407	114	0.95	GR139R79 GRF139R79	4P	196	18	4.53	4.2	4.60	207	17	4.30	4.1	4.70	236	15	3.77	3.9			5.90	219	16			6.07	4.0			2.80	GRX69 GRXF69	4P			0.28	16758	4914	128	2.2	GR149R79 GRF149R79	4P	257	13	5.18	3.8	5.60	294	12	4.53	3.6	7.10	309	11	4.30	3.6	7.30	353	10	3.77			3.4	9.00	416			8	3.20			3.2					12	460	7					2.89	3.1	14					524	7	2.54			3.0	18	554	6	2.40			3.0	20	652			5	2.04	2.8			26	205	17			4.35	3.3	4.00	GRX59 GRXF59	6P	0.32	14750	4325	53	0.85	GR139R79 GRF139R79	4P	235	15	3.79	3.2	4.60	251	14	3.55	3.1	5.00	242	14	5.50	3.1	2.80	GRX59 GRXF59	4P	0.37	12802	3754	60	1.05			GR109R79 GRF109R79	4P	262	13	5.07	3.0	2.80			306	11	4.35			2.9	6.10	351	9.8	3.79			2.8	7.10	0.48	9883	2898			65	1.30	GR109R79 GRF109R79	4P		0.54	8713		2555		66	1.50		0.63	7540	2211		67				1.70				0.71		6654	1951	68	1.95	0.82			5815	1705	69	2.25	0.90			5238	1536	69	2.50	1.0	4532	1329	70	2.85	1.2	3976	1166	70	3.25	0.56	8471			2484	49	0.95			GR99R59 GRF99R59	4P	0.52	9065	2658			47	0.90	0.58	8226	2412			50	0.95	0.67	7070	2073	52	1.10	0.76	6272	1839	54	1.25	0.87	5450	1598	55	1.45	0.99	4764	1397	56	1.65	1.1	4181	1226	56	1.90	1.3	3717	1090	57	2.15	1.5	3243	951	57	2.45	1.7	2834	831	57	2.80	0.99	4798	1407	22	0.90	GR109R79 GRF109R79	4P	1.1	4123	1209	29	1.05	1.3	3598	1055	31	1.20	1.5	3134	919	33	1.35	1.7	2779	815	34	1.55	1.9	2445	717	34	1.75	2.2	2135	626	35	2.00	0.99	4774	1400	24	0.90	GR109R79 GRF109R79	4P	1.1	4181	1226	29			1.05	1.3	3765			1104	31	1.15	1.5	3202			939	33	1.35	1.7	2803			822	34	1.55	1.5	3199	938	4.4	0.95	1.7	2810	824	21	1.05	1.9	2513	737	23	1.20	2.2	2155	632	24	1.40	2.5	1910	560			25	1.55	2.9			1651	484	26	1.80	3.2			1470	431	26	2.00	3.7			1293	379	27	2.30																																																																																																																																																						
239	14	11.45	1.3	5.30					270	12	10.15					1.2	5.70				317	10		8.63					1.2	6.30		363	9.0		7.55	1.1	5.50			389	8.4	7.04	1.1	5.80			446	7.3	6.15			1.0	6.60	476	6.8	5.76	1.0	6.90	538	6.0	5.09	1.0	7.50	608	5.4	4.51	0.9	8.00	715	4.5	3.83	0.9	8.80	172	20	5.18	4.3	3.70	GRX69 GRXF69	6P	0.26	18440	5407	114	0.95	GR139R79 GRF139R79	4P	196	18			4.53	4.2	4.60	207	17			4.30	4.1	4.70	236	15	3.77	3.9	5.90	219	16	6.07	4.0	2.80	GRX69 GRXF69			4P	0.28	16758	4914	128	2.2	GR149R79 GRF149R79			4P			257	13	5.18	3.8	5.60	294	12			4.53	3.6	7.10	309	11	4.30	3.6	7.30	353	10	3.77	3.4	9.00	416	8	3.20	3.2	12			460	7	2.89			3.1	14			524					7	2.54	3.0					18	554	6			2.40	3.0	20	652	5			2.04	2.8	26	205	17			4.35	3.3	4.00			GRX59 GRXF59	6P	0.32			14750	4325	53	0.85	GR139R79 GRF139R79	4P	235	15			3.79	3.2	4.60	251	14			3.55	3.1	5.00	242	14	5.50	3.1	2.80	GRX59 GRXF59	4P	0.37	12802	3754	60	1.05			GR109R79 GRF109R79	4P	262	13	5.07	3.0	2.80			306	11	4.35	2.9	6.10			351	9.8	3.79			2.8	7.10	0.48	9883	2898			65	1.30	GR109R79 GRF109R79	4P	0.54	8713	2555	66	1.50				0.63	7540		2211		67	1.70		0.71	6654	1951		68				1.95	0.82	5815		1705		69	2.25	0.90	5238	1536			69	2.50	1.0	4532	1329	70	2.85	1.2	3976	1166	70	3.25	0.56	8471	2484	49	0.95	GR99R59 GRF99R59	4P	0.52	9065	2658	47			0.90	0.58	8226					2412	50	0.95			0.67	7070	2073	52	1.10	0.76	6272	1839	54	1.25	0.87	5450	1598	55	1.45	0.99	4764	1397	56	1.65	1.1	4181	1226	56	1.90	1.3	3717	1090	57	2.15	1.5	3243	951	57	2.45	1.7	2834	831	57	2.80	0.99	4798	1407	22	0.90	GR109R79 GRF109R79	4P	1.1	4123	1209	29	1.05	1.3	3598			1055	31	1.20	1.5	3134	919	33	1.35	1.7	2779	815	34	1.55	1.9	2445	717	34	1.75	2.2	2135	626	35	2.00	0.99	4774	1400	24	0.90	GR109R79 GRF109R79	4P	1.1	4181	1226	29	1.05			1.3	3765	1104	31			1.15	1.5	3202			939	33	1.35	1.7	2803			822	34	1.55	1.5	3199	938	4.4	0.95	1.7	2810	824	21	1.05	1.9	2513	737	23	1.20	2.2	2155	632	24	1.40	2.5	1910	560	25	1.55	2.9	1651	484	26	1.80			3.2	1470	431			26	2.00	3.7	1293	379			27	2.30																																																																																																																																																															
270	12	10.15	1.2	5.70					317	10	8.63			1.2	6.30	363	9.0				7.55	1.1		5.50	389			8.4	7.04	1.1		5.80	446		7.3	6.15	1.0			6.60	476	6.8	5.76	1.0			6.90	538	6.0	5.09	1.0	7.50	608	5.4	4.51	0.9	8.00	715	4.5	3.83	0.9	8.80	172	20	5.18	4.3	3.70	GRX69 GRXF69	6P	0.26	18440	5407	114	0.95	GR139R79 GRF139R79	4P	196	18			4.53	4.2	4.60	207	17			4.30	4.1			4.70	236	15	3.77	3.9			5.90	219	16	6.07	4.0	2.80	GRX69 GRXF69	4P	0.28	16758	4914	128	2.2		GR149R79 GRF149R79	4P		257	13	5.18	3.8	5.60		294	12				4.53	3.6	7.10	309	11	4.30	3.6			7.30	353	10	3.77	3.4	9.00	416	8	3.20	3.2	12	460	7	2.89	3.1	14	524	7			2.54	3.0	18			554	6			2.40					3.0	20	652			5	2.04	2.8	26	205			17	4.35	3.3	4.00	GRX59 GRXF59			6P	0.32	14750	4325	53			0.85	GR139R79 GRF139R79	4P					235	15	3.79	3.2	4.60	251	14			3.55	3.1			5.00	242	14	5.50	3.1			2.80	GRX59 GRXF59	4P	0.37	12802	3754	60	1.05			GR109R79 GRF109R79	4P	262	13	5.07					3.0	2.80	306	11	4.35			2.9	6.10	351	9.8	3.79			2.8	7.10	0.48			9883	2898	65	1.30	GR109R79 GRF109R79	4P	0.54	8713	2555			66	1.50	0.63	7540	2211				67	1.70		0.71		6654	1951		68	1.95	0.82		5815		1705	69	2.25	0.90	5238		1536		69	2.50	1.0	4532	1329	70	2.85	1.2	3976	1166	70	3.25	0.56	8471	2484	49	0.95	GR99R59 GRF99R59	4P	0.52	9065	2658	47	0.90			0.58	8226	2412	50			0.95	0.67	7070			2073	52	1.10	0.76	6272	1839	54	1.25	0.87	5450	1598	55	1.45	0.99	4764	1397	56	1.65	1.1	4181	1226	56	1.90	1.3	3717	1090	57	2.15	1.5	3243	951	57	2.45	1.7	2834	831	57	2.80	0.99	4798	1407	22	0.90	GR109R79 GRF109R79	4P	1.1	4123	1209	29	1.05	1.3	3598			1055	31	1.20	1.5	3134	919	33			1.35	1.7	2779	815	34	1.55	1.9	2445	717	34	1.75	2.2	2135	626	35	2.00	0.99	4774	1400	24	0.90	GR109R79 GRF109R79	4P	1.1	4181	1226	29	1.05			1.3	3765	1104	31	1.15			1.5	3202	939	33			1.35	1.7	2803			822	34	1.55	1.5	3199	938	4.4	0.95	1.7	2810	824	21	1.05	1.9	2513	737	23	1.20	2.2	2155	632	24	1.40	2.5	1910	560	25	1.55	2.9	1651	484	26	1.80	3.2	1470	431	26	2.00	3.7	1293			379	27	2.30																																																																																																																																																																										
317	10	8.63	1.2	6.30	363	9.0			7.55	1.1	5.50			389	8.4	7.04	1.1	5.80			446	7.3	6.15	1.0	6.60			476	6.8	5.76		1.0	6.90		538	6.0	5.09			1.0	7.50	608	5.4	4.51	0.9	8.00	715	4.5	3.83	0.9	8.80	172	20	5.18	4.3	3.70	GRX69 GRXF69	6P	0.26	18440	5407	114	0.95	GR139R79 GRF139R79	4P	196	18			4.53	4.2	4.60	207	17			4.30	4.1			4.70	236	15	3.77	3.9			5.90	219			16	6.07	4.0	2.80	GRX69 GRXF69			4P	0.28	16758	4914	128	2.2			GR149R79 GRF149R79	4P	257	13	5.18					3.8	5.60	294	12	4.53		3.6	7.10				309	11	4.30	3.6	7.30	353	10			3.77	3.4	9.00	416	8	3.20	3.2	12	460	7	2.89	3.1	14	524	7	2.54	3.0	18			554	6	2.40			3.0	20			652			5	2.04	2.8	26	205			17	4.35	3.3	4.00	GRX59 GRXF59			6P	0.32	14750	4325					53	0.85	GR139R79 GRF139R79	4P			235			15	3.79			3.2	4.60	251	14	3.55	3.1	5.00			242	14	5.50	3.1	2.80	GRX59 GRXF59	4P	0.37	12802			3754			60	1.05	GR109R79 GRF109R79	4P	262					13	5.07	3.0					2.80	306	11	4.35	2.9			6.10	351	9.8	3.79	2.8			7.10	0.48	9883	2898	65	1.30	GR109R79 GRF109R79	4P	0.54			8713	2555	66			1.50	0.63	7540	2211	67				1.70	0.71		6654		1951	68		1.95	0.82	5815		1705		69	2.25	0.90	5238	1536	69	2.50	1.0	4532	1329	70	2.85	1.2	3976	1166	70	3.25	0.56	8471	2484	49	0.95	GR99R59 GRF99R59	4P	0.52			9065	2658	47	0.90	0.58	8226	2412	50	0.95	0.67	7070			2073	52	1.10	0.76	6272	1839	54	1.25	0.87	5450	1598	55	1.45	0.99	4764	1397	56	1.65	1.1	4181	1226	56	1.90	1.3	3717	1090	57	2.15	1.5	3243	951	57	2.45	1.7	2834	831	57	2.80	0.99	4798	1407	22	0.90	GR109R79 GRF109R79	4P	1.1	4123	1209			29	1.05	1.3	3598	1055	31	1.20			1.5	3134	919	33	1.35	1.7	2779			815	34	1.55	1.9	2445	717	34	1.75	2.2	2135	626	35	2.00	0.99	4774	1400	24	0.90	GR109R79 GRF109R79	4P	1.1			4181	1226	29	1.05	1.3			3765	1104	31	1.15	1.5			3202	939	33	1.35			1.7	2803	822	34	1.55	1.5	3199	938	4.4	0.95	1.7	2810	824	21	1.05	1.9	2513	737	23	1.20	2.2	2155	632	24	1.40	2.5	1910	560	25	1.55	2.9	1651	484	26	1.80	3.2	1470	431	26	2.00	3.7	1293	379	27	2.30																																																																																																																																																																															
363	9.0	7.55	1.1	5.50	389	8.4			7.04	1.1	5.80			446	7.3	6.15	1.0	6.60			476	6.8	5.76	1.0	6.90			538	6.0	5.09		1.0	7.50		608	5.4	4.51	0.9	8.00	715	4.5	3.83	0.9	8.80	172	20	5.18	4.3	3.70	GRX69 GRXF69	6P	0.26	18440	5407	114	0.95			GR139R79 GRF139R79	4P	196	18	4.53			4.2	4.60			207	17	4.30	4.1	4.70			236	15			3.77	3.9	5.90	219	16			6.07	4.0	2.80	GRX69 GRXF69	4P	0.28	16758	4914		128	2.2		GR149R79 GRF149R79	4P	257	13	5.18					3.8	5.60	294					12	4.53	3.6	7.10	309		11	4.30				3.6	7.30	353	10	3.77	3.4	9.00			416	8	3.20	3.2	12	460	7	2.89	3.1	14	524	7	2.54	3.0	18	554	6	2.40			3.0	20	652			5	2.04	2.8	26	205			17	4.35	3.3	4.00	GRX59 GRXF59			6P	0.32	14750	4325					53	0.85	GR139R79 GRF139R79					4P	235			15	3.79	3.2			4.60	251	14	3.55	3.1	5.00	242	14	5.50	3.1	2.80			GRX59 GRXF59	4P	0.37	12802	3754			60	1.05			GR109R79 GRF109R79			4P	262			13					5.07	3.0	2.80					306	11	4.35	2.9	6.10	351	9.8	3.79	2.8	7.10	0.48	9883	2898	65	1.30	GR109R79 GRF109R79	4P	0.54	8713	2555			66			1.50	0.63	7540			2211	67	1.70	0.71	6654				1951	68		1.95		0.82	5815		1705	69	2.25	0.90	5238	1536	69	2.50	1.0	4532	1329	70	2.85	1.2	3976	1166	70	3.25	0.56	8471	2484	49	0.95	GR99R59 GRF99R59	4P	0.52	9065	2658			47	0.90	0.58	8226	2412	50	0.95	0.67	7070	2073	52	1.10	0.76	6272	1839	54	1.25	0.87	5450	1598	55	1.45	0.99	4764	1397	56	1.65	1.1	4181	1226	56	1.90	1.3	3717	1090	57	2.15	1.5	3243	951	57	2.45	1.7	2834	831	57	2.80	0.99	4798	1407	22	0.90	GR109R79 GRF109R79	4P	1.1	4123	1209	29	1.05			1.3	3598	1055			31	1.20	1.5	3134	919	33	1.35			1.7	2779	815	34	1.55	1.9	2445			717	34	1.75	2.2	2135	626	35	2.00	0.99	4774	1400	24	0.90	GR109R79 GRF109R79	4P	1.1	4181	1226			29			1.05	1.3	3765	1104	31			1.15	1.5	3202	939	33			1.35	1.7	2803	822	34	1.55	1.5	3199	938	4.4	0.95	1.7	2810	824	21	1.05	1.9	2513	737	23	1.20	2.2	2155	632	24	1.40	2.5	1910	560	25	1.55	2.9	1651	484	26	1.80	3.2	1470	431	26	2.00	3.7	1293	379	27	2.30																																																																																																																																																																																				
389	8.4	7.04	1.1	5.80	446	7.3			6.15	1.0	6.60			476	6.8	5.76	1.0	6.90			538	6.0	5.09	1.0	7.50			608	5.4	4.51	0.9	8.00	715	4.5	3.83	0.9	8.80	172	20	5.18	4.3	3.70	GRX69 GRXF69	6P	0.26	18440	5407	114	0.95			GR139R79 GRF139R79	4P	196	18	4.53					4.2	4.60	207			17	4.30			4.1	4.70	236	15	3.77			3.9	5.90	219	16	6.07	4.0	2.80	GRX69 GRXF69	4P	0.28	16758	4914	128	2.2			GR149R79 GRF149R79	4P	257		13	5.18				3.8	5.60	294					12	4.53	3.6					7.10	309	11	4.30	3.6		7.30	353				10	3.77	3.4	9.00	416	8	3.20			3.2	12	460	7	2.89	3.1	14	524	7	2.54	3.0	18	554	6	2.40	3.0	20	652			5	2.04	2.8			26	205	17	4.35	3.3			4.00	GRX59 GRXF59	6P	0.32					14750	4325	53					0.85	GR139R79 GRF139R79		4P	235	15	3.79		3.2			4.60	251	14			3.55	3.1	5.00	242	14	5.50	3.1	2.80	GRX59 GRXF59	4P	0.37					12802	3754	60			1.05	GR109R79 GRF109R79							4P			262					13	5.07	3.0			2.80	306	11	4.35	2.9	6.10	351	9.8	3.79	2.8	7.10	0.48	9883	2898	65	1.30	GR109R79 GRF109R79			4P	0.54	8713			2555			66	1.50	0.63			7540	2211	67	1.70	0.71				6654	1951		68	1.95	0.82	5815	1705	69	2.25	0.90	5238	1536	69	2.50	1.0	4532	1329	70	2.85	1.2	3976	1166	70	3.25	0.56	8471	2484	49	0.95	GR99R59 GRF99R59			4P	0.52	9065	2658	47	0.90	0.58	8226	2412	50	0.95	0.67	7070	2073	52	1.10	0.76	6272	1839	54	1.25	0.87	5450	1598	55	1.45	0.99	4764	1397	56	1.65	1.1	4181	1226	56	1.90	1.3	3717	1090	57	2.15	1.5	3243	951	57	2.45	1.7	2834	831	57	2.80	0.99	4798	1407	22	0.90	GR109R79 GRF109R79			4P	1.1	4123	1209	29			1.05	1.3	3598			1055	31	1.20	1.5	3134	919	33			1.35	1.7	2779	815	34	1.55	1.9			2445	717	34	1.75	2.2	2135	626	35	2.00	0.99	4774	1400	24			0.90	GR109R79 GRF109R79	4P			1.1			4181	1226	29	1.05	1.3			3765	1104	31	1.15	1.5			3202	939	33	1.35	1.7	2803	822	34	1.55	1.5	3199	938	4.4	0.95	1.7	2810	824	21	1.05	1.9	2513	737	23	1.20	2.2	2155	632	24	1.40	2.5	1910	560	25	1.55	2.9	1651	484	26	1.80	3.2	1470	431	26	2.00	3.7	1293	379	27	2.30																																																																																																																																																																																	
446	7.3	6.15	1.0	6.60	476	6.8			5.76	1.0	6.90			538	6.0	5.09	1.0	7.50			608	5.4	4.51	0.9	8.00	715	4.5	3.83	0.9	8.80	172	20	5.18	4.3	3.70	GRX69 GRXF69	6P	0.26	18440	5407	114	0.95			GR139R79 GRF139R79	4P	196	18	4.53					4.2	4.60	207					17	4.30	4.1			4.70	236	15	3.77	3.9	5.90	219	16	6.07	4.0	2.80	GRX69 GRXF69	4P	0.28	16758	4914	128	2.2			GR149R79 GRF149R79	4P	257	13	5.18					3.8		5.60	294				12	4.53	3.6					7.10	309	11					4.30	3.6	7.30	353	10		3.77	3.4				9.00	416	8	3.20	3.2	12	460	7	2.89	3.1	14	524	7	2.54	3.0	18	554	6	2.40	3.0	20	652	5	2.04	2.8	26	205			17	4.35	3.3			4.00	GRX59 GRXF59	6P	0.32	14750			4325			53					0.85	GR139R79 GRF139R79	4P	235	15	3.79	3.2	4.60				251	14	3.55		3.1			5.00	242	14			5.50	3.1	2.80	GRX59 GRXF59	4P	0.37	12802	3754			60					1.05	GR109R79 GRF109R79	4P			262		13	5.07								3.0			2.80	306	11	4.35	2.9			6.10	351	9.8	3.79	2.8	7.10	0.48	9883	2898	65	1.30	GR109R79 GRF109R79	4P	0.54	8713	2555					66	1.50			0.63			7540	2211	67			1.70	0.71	6654	1951	68	1.95	0.82	5815	1705	69	2.25	0.90	5238	1536	69	2.50	1.0	4532	1329	70	2.85	1.2	3976	1166	70	3.25	0.56	8471	2484	49	0.95	GR99R59 GRF99R59	4P	0.52	9065	2658	47	0.90		0.58	8226		2412	50	0.95	0.67	7070	2073	52	1.10	0.76	6272	1839	54	1.25	0.87	5450	1598	55	1.45	0.99	4764	1397	56	1.65	1.1	4181	1226	56	1.90	1.3	3717	1090	57	2.15	1.5	3243	951	57	2.45	1.7	2834	831	57	2.80	0.99	4798	1407	22	0.90	GR109R79 GRF109R79	4P	1.1	4123	1209	29	1.05					1.3	3598	1055	31			1.20	1.5	3134			919	33	1.35	1.7	2779	815	34			1.55	1.9	2445	717	34	1.75	2.2	2135	626	35	2.00	0.99	4774	1400	24	0.90	GR109R79 GRF109R79	4P	1.1	4181	1226	29			1.05					1.3			3765	1104	31	1.15	1.5			3202	939	33	1.35	1.7	2803	822	34	1.55	1.5	3199	938	4.4	0.95	1.7	2810	824	21	1.05	1.9	2513	737	23	1.20	2.2	2155	632	24	1.40	2.5	1910	560	25	1.55	2.9	1651	484	26	1.80	3.2	1470	431	26	2.00	3.7	1293	379	27	2.30																																																																																																																																																																																								
476	6.8	5.76	1.0	6.90	538	6.0			5.09	1.0	7.50			608	5.4	4.51	0.9	8.00	715	4.5	3.83	0.9	8.80	172	20	5.18	4.3	3.70	GRX69 GRXF69	6P	0.26	18440	5407	114	0.95			GR139R79 GRF139R79	4P	196	18	4.53					4.2	4.60	207					17	4.30	4.1	4.70	236			15	3.77	3.9	5.90	219	16	6.07	4.0	2.80	GRX69 GRXF69	4P	0.28	16758	4914	128	2.2			GR149R79 GRF149R79	4P	257	13	5.18					3.8	5.60	294					12		4.53	3.6				7.10	309	11					4.30	3.6	7.30					353	10	3.77	3.4	9.00	416	8	3.20	3.2			12	460	7	2.89	3.1	14	524	7	2.54	3.0	18	554	6	2.40	3.0	20	652	5	2.04	2.8	26	205	17	4.35	3.3	4.00	GRX59 GRXF59			6P	0.32	14750			4325			53	0.85			GR139R79 GRF139R79			4P	235	15	3.79	3.2	4.60			251	14	3.55	3.1	5.00				242	14	5.50		3.1			2.80	GRX59 GRXF59	4P			0.37	12802	3754			60	1.05	GR109R79 GRF109R79			4P	262	13			5.07					3.0		2.80	306						11	4.35	2.9			6.10	351	9.8	3.79	2.8			7.10	0.48	9883	2898	65	1.30	GR109R79 GRF109R79	4P	0.54	8713	2555			66	1.50	0.63					7540	2211			67			1.70	0.71	6654	1951	68	1.95	0.82	5815	1705	69	2.25	0.90	5238	1536	69	2.50	1.0	4532	1329	70	2.85	1.2	3976	1166	70	3.25	0.56	8471	2484	49	0.95	GR99R59 GRF99R59	4P	0.52	9065	2658			47	0.90	0.58	8226	2412	50	0.95	0.67	7070	2073	52	1.10	0.76	6272	1839	54	1.25	0.87	5450	1598	55	1.45	0.99	4764	1397	56	1.65	1.1	4181	1226	56	1.90	1.3	3717	1090	57	2.15	1.5	3243	951	57	2.45	1.7	2834	831	57	2.80	0.99	4798	1407	22	0.90	GR109R79 GRF109R79	4P	1.1	4123	1209			29	1.05	1.3	3598	1055					31	1.20	1.5	3134			919	33	1.35			1.7	2779	815	34	1.55	1.9	2445	717	34	1.75	2.2	2135	626	35	2.00	0.99	4774	1400	24	0.90	GR109R79 GRF109R79	4P	1.1	4181	1226			29	1.05	1.3	3765			1104					31			1.15	1.5	3202	939	33	1.35	1.7	2803	822	34	1.55	1.5	3199	938	4.4	0.95	1.7	2810	824	21	1.05	1.9	2513	737	23	1.20	2.2	2155	632	24	1.40	2.5	1910	560	25	1.55	2.9	1651	484	26	1.80	3.2	1470	431	26	2.00	3.7	1293	379	27	2.30																																																																																																																																																																																													
538	6.0	5.09	1.0	7.50	608	5.4			4.51	0.9	8.00	715	4.5	3.83	0.9	8.80	172	20	5.18	4.3	3.70	GRX69 GRXF69	6P	0.26	18440	5407	114	0.95			GR139R79 GRF139R79	4P	196	18	4.53					4.2	4.60	207					17	4.30	4.1	4.70	236			15	3.77	3.9	5.90	219	16	6.07	4.0	2.80	GRX69 GRXF69	4P	0.28	16758	4914	128	2.2			GR149R79 GRF149R79	4P	257	13	5.18					3.8	5.60	294					12	4.53	3.6					7.10		309	11				4.30	3.6	7.30					353	10	3.77		3.4	9.00		416	8	3.20	3.2	12	460	7	2.89	3.1			14	524	7	2.54	3.0	18	554	6	2.40	3.0	20	652	5	2.04	2.8	26	205	17	4.35	3.3	4.00	GRX59 GRXF59	6P	0.32	14750	4325					53	0.85			GR139R79 GRF139R79			4P	235	15	3.79		3.2	4.60		251	14	3.55	3.1	5.00			242	14	5.50	3.1	2.80				GRX59 GRXF59	4P	0.37		12802			3754			60	1.05	GR109R79 GRF109R79	4P	262			13	5.07					3.0	2.80			306					11		4.35	2.9	6.10			351		9.8	3.79	2.8			7.10	0.48	9883	2898	65	1.30	GR109R79 GRF109R79	4P	0.54	8713	2555	66	1.50			0.63	7540	2211			67	1.70	0.71					6654	1951			68	1.95	0.82	5815	1705	69	2.25	0.90	5238	1536	69	2.50	1.0	4532	1329	70	2.85	1.2	3976	1166	70	3.25	0.56	8471	2484	49	0.95	GR99R59 GRF99R59	4P	0.52	9065	2658	47	0.90			0.58	8226	2412	50	0.95	0.67	7070	2073	52	1.10	0.76	6272	1839	54	1.25	0.87	5450	1598	55	1.45	0.99	4764	1397	56	1.65	1.1	4181	1226	56	1.90	1.3	3717	1090	57	2.15	1.5	3243	951	57	2.45	1.7	2834	831	57	2.80	0.99	4798	1407	22	0.90	GR109R79 GRF109R79	4P	1.1	4123	1209	29	1.05			1.3	3598	1055			31	1.20	1.5	3134	919					33	1.35	1.7	2779			815	34	1.55	1.9	2445	717	34	1.75	2.2	2135	626	35	2.00	0.99	4774	1400	24	0.90	GR109R79 GRF109R79	4P	1.1	4181	1226	29	1.05			1.3	3765	1104			31	1.15	1.5	3202			939					33	1.35	1.7	2803	822	34	1.55	1.5	3199	938	4.4	0.95	1.7	2810	824	21	1.05	1.9	2513	737	23	1.20	2.2	2155	632	24	1.40	2.5	1910	560	25	1.55	2.9	1651	484	26	1.80	3.2	1470	431	26	2.00	3.7	1293	379	27	2.30																																																																																																																																																																																																				
608	5.4	4.51	0.9	8.00	715	4.5	3.83	0.9	8.80	172	20	5.18	4.3	3.70	GRX69 GRXF69	6P	0.26	18440	5407	114	0.95			GR139R79 GRF139R79	4P	196	18	4.53					4.2	4.60	207					17	4.30	4.1	4.70	236			15	3.77	3.9	5.90	219	16	6.07	4.0	2.80	GRX69 GRXF69	4P	0.28	16758	4914	128	2.2			GR149R79 GRF149R79	4P	257	13	5.18					3.8	5.60	294					12	4.53	3.6					7.10	309	11					4.30		3.6	7.30				353	10	3.77			3.4	9.00	416	8	3.20		3.2	12		460	7	2.89	3.1	14	524	7	2.54	3.0			18	554	6	2.40	3.0	20	652	5	2.04	2.8	26	205	17	4.35	3.3	4.00	GRX59 GRXF59	6P	0.32	14750	4325			53	0.85	GR139R79 GRF139R79					4P	235	15	3.79		3.2	4.60		251	14	3.55		3.1	5.00		242	14	5.50	3.1	2.80			GRX59 GRXF59	4P	0.37	12802	3754						60		1.05	GR109R79 GRF109R79	4P	262			13	5.07			3.0			2.80	306					11	4.35			2.9					6.10	351	9.8	3.79	2.8			7.10	0.48	9883	2898	65	1.30	GR109R79 GRF109R79	4P	0.54	8713	2555	66	1.50			0.63	7540	2211	67	1.70			0.71	6654	1951			68	1.95	0.82					5815	1705	69	2.25	0.90	5238	1536	69	2.50	1.0	4532	1329	70	2.85	1.2	3976	1166	70	3.25	0.56	8471	2484	49	0.95	GR99R59 GRF99R59	4P	0.52	9065	2658	47	0.90			0.58	8226	2412	50	0.95	0.67	7070	2073	52	1.10	0.76	6272	1839	54	1.25	0.87	5450	1598	55	1.45	0.99	4764	1397	56	1.65	1.1	4181	1226	56	1.90	1.3	3717	1090	57	2.15	1.5	3243	951	57	2.45	1.7	2834	831	57	2.80	0.99	4798	1407	22	0.90	GR109R79 GRF109R79	4P	1.1	4123	1209	29	1.05			1.3	3598	1055	31	1.20			1.5	3134	919			33	1.35	1.7	2779	815					34	1.55	1.9	2445	717	34	1.75	2.2	2135	626	35	2.00	0.99	4774	1400	24	0.90	GR109R79 GRF109R79	4P	1.1	4181	1226	29	1.05			1.3	3765	1104	31	1.15			1.5	3202	939			33	1.35	1.7	2803			822			34	1.55	1.5	3199	938	4.4	0.95	1.7	2810	824	21	1.05	1.9	2513	737	23	1.20	2.2	2155	632	24	1.40	2.5	1910	560	25	1.55	2.9	1651	484	26	1.80	3.2	1470	431	26	2.00	3.7	1293	379	27	2.30																																																																																																																																																																																																											
715	4.5	3.83	0.9	8.80	172	20	5.18	4.3	3.70	GRX69 GRXF69	6P	0.26	18440	5407			114	0.95	GR139R79 GRF139R79	4P	196					18	4.53	4.2					4.60	207	17	4.30	4.1			4.70	236	15	3.77	3.9	5.90	219	16	6.07	4.0	2.80	GRX69 GRXF69	4P	0.28	16758	4914			128	2.2	GR149R79 GRF149R79	4P	257					13	5.18	3.8					5.60	294	12					4.53	3.6	7.10					309	11	4.30					3.6		7.30	353		10	3.77	3.4	9.00	416			8	3.20	3.2	12	460		7	2.89		3.1	14	524	7	2.54	3.0	18	554	6			2.40	3.0	20	652	5	2.04	2.8	26	205	17	4.35	3.3	4.00	GRX59 GRXF59	6P	0.32			14750	4325	53			0.85	GR139R79 GRF139R79		4P	235	15	3.79		3.2	4.60	251		14	3.55		3.1	5.00	242		14	5.50		3.1	2.80	GRX59 GRXF59	4P	0.37					12802	3754	60		1.05				GR109R79 GRF109R79	4P	262			13			5.07	3.0			2.80			306	11					4.35	2.9			6.10	351	9.8			3.79	2.8	7.10	0.48	9883	2898	65	1.30	GR109R79 GRF109R79	4P	0.54	8713	2555			66	1.50	0.63	7540	2211			67	1.70	0.71	6654	1951			68	1.95	0.82			5815	1705	69		2.25	0.90		5238	1536	69	2.50	1.0	4532	1329	70	2.85	1.2	3976	1166	70	3.25	0.56	8471	2484	49	0.95	GR99R59 GRF99R59	4P	0.52	9065	2658			47	0.90	0.58	8226	2412	50	0.95	0.67	7070	2073	52	1.10	0.76	6272	1839	54	1.25	0.87	5450	1598	55	1.45	0.99	4764	1397	56	1.65	1.1	4181	1226	56	1.90	1.3	3717	1090	57	2.15	1.5	3243	951	57	2.45	1.7	2834	831	57	2.80	0.99	4798	1407	22	0.90	GR109R79 GRF109R79	4P	1.1	4123	1209			29	1.05	1.3	3598	1055			31	1.20	1.5	3134	919			33	1.35	1.7			2779	815	34	1.55	1.9		2445	717		34	1.75	2.2	2135	626	35	2.00	0.99	4774	1400	24	0.90	GR109R79 GRF109R79	4P	1.1	4181	1226			29	1.05	1.3	3765	1104			31	1.15	1.5	3202	939			33	1.35	1.7			2803	822	34	1.55	1.5	3199	938			4.4	0.95	1.7	2810	824	21	1.05	1.9	2513	737	23	1.20	2.2	2155	632	24	1.40	2.5	1910	560	25	1.55	2.9	1651	484	26	1.80	3.2	1470	431	26	2.00	3.7	1293	379	27	2.30																																																																																																																																																																																																																
172	20	5.18	4.3	3.70	GRX69 GRXF69	6P	0.26	18440	5407			114	0.95	GR139R79 GRF139R79			4P																																																																																																																																																																																																																																																																																																																																																																																																																																																																																																																																																																																																																																																																							
196	18	4.53	4.2	4.60			207	17	4.30			4.1	4.70					236			15	3.77	3.9			5.90	219	16	6.07	4.0	2.80	GRX69 GRXF69	4P	0.28	16758	4914	128	2.2	GR149R79 GRF149R79	4P	257	13	5.18	3.8	5.60	294	12	4.53	3.6	7.10			309	11	4.30			3.6	7.30			353					10	3.77	3.4					9.00	416	8					3.20	3.2	12			460	7	2.89	3.1	14			524	7	2.54		3.0	18		554	6	2.40	3.0	20			652	5	2.04	2.8	26		205	17		4.35	3.3	4.00	GRX59 GRXF59	6P	0.32	14750	4325	53	0.85	GR139R79 GRF139R79	4P	235	15	3.79	3.2	4.60	251	14	3.55	3.1	5.00	242	14			5.50	3.1	2.80	GRX59 GRXF59	4P	0.37	12802	3754	60				1.05	GR109R79 GRF109R79	4P		262	13	5.07		3.0	2.80		306	11	4.35		2.9	6.10		351	9.8			3.79	2.8	7.10			0.48	9883	2898	65	1.30	GR109R79 GRF109R79					4P			0.54			8713	2555	66	1.50	0.63			7540	2211	67			1.70	0.71	6654	1951	68	1.95	0.82	5815	1705	69	2.25	0.90	5238	1536	69	2.50	1.0	4532			1329	70	2.85			1.2	3976	1166	70	3.25			0.56	8471	2484	49	0.95			GR99R59 GRF99R59	4P	0.52	9065	2658	47	0.90	0.58	8226	2412	50	0.95	0.67	7070	2073	52	1.10	0.76	6272	1839	54	1.25	0.87	5450	1598	55	1.45	0.99	4764	1397	56	1.65	1.1	4181	1226	56	1.90	1.3	3717	1090	57	2.15	1.5	3243	951	57	2.45	1.7	2834	831	57	2.80	0.99	4798	1407	22	0.90	GR109R79 GRF109R79	4P	1.1	4123	1209	29	1.05	1.3	3598	1055	31	1.20	1.5	3134	919	33	1.35	1.7	2779	815	34	1.55	1.9	2445	717	34	1.75	2.2	2135	626	35	2.00	0.99			4774	1400	24			0.90	GR109R79 GRF109R79	4P	1.1	4181			1226	29	1.05	1.3	3765			1104	31	1.15	1.5	3202	939	33	1.35	1.7	2803	822	34	1.55	1.5	3199	938	4.4	0.95	1.7	2810	824	21	1.05	1.9	2513	737			23	1.20	2.2			2155	632	24	1.40	2.5			1910	560	25	1.55	2.9			1651	484	26	1.80	3.2	1470	431	26	2.00	3.7	1293	379	27	2.30																																																																																																																																																																																																																																																					
207	17	4.30	4.1	4.70			236	15	3.77			3.9	5.90		219	16		6.07			4.0	2.80	GRX69 GRXF69	4P	0.28	16758	4914	128	2.2	GR149R79 GRF149R79	4P			257	13	5.18	3.8	5.60			294	12	4.53	3.6	7.10	309	11	4.30	3.6	7.30			353	10	3.77			3.4	9.00			416					8	3.20	3.2					12	460	7			2.89	3.1	14	524	7			2.54	3.0	18	554	6			2.40	3.0	20		652	5		2.04	2.8	26	205	17			4.35	3.3	4.00	GRX59 GRXF59	6P	0.32	14750	4325	53	0.85	GR139R79 GRF139R79	4P			235	15	3.79	3.2	4.60			251	14	3.55	3.1	5.00	242	14	5.50	3.1	2.80	GRX59 GRXF59	4P	0.37	12802	3754	60	1.05			GR109R79 GRF109R79	4P	262	13				5.07				3.0	2.80	306		11	4.35		2.9	6.10	351	9.8	3.79	2.8	7.10	0.48	9883			2898	65	1.30			GR109R79 GRF109R79	4P	0.54	8713	2555							66	1.50	0.63			7540	2211	67	1.70	0.71			6654	1951	68	1.95	0.82	5815	1705	69	2.25	0.90	5238	1536	69	2.50	1.0	4532	1329	70	2.85	1.2	3976	1166	70			3.25	0.56	8471			2484	49	0.95	GR99R59 GRF99R59	4P			0.52	9065	2658	47	0.90	0.58	8226			2412	50	0.95	0.67	7070	2073	52	1.10	0.76	6272	1839	54	1.25	0.87	5450	1598	55	1.45	0.99	4764	1397	56	1.65	1.1	4181	1226	56	1.90	1.3	3717	1090	57	2.15	1.5	3243	951	57	2.45	1.7	2834	831	57	2.80	0.99	4798	1407	22	0.90	GR109R79 GRF109R79	4P	1.1	4123	1209	29	1.05			1.3	3598	1055	31	1.20	1.5	3134	919	33	1.35	1.7	2779	815	34	1.55	1.9	2445	717	34	1.75	2.2	2135	626	35	2.00	0.99	4774	1400	24	0.90	GR109R79 GRF109R79			4P	1.1	4181			1226			29	1.05			1.3	3765	1104	31	1.15	1.5	3202	939	33	1.35	1.7	2803	822	34	1.55	1.5	3199	938	4.4	0.95	1.7	2810	824	21	1.05	1.9	2513	737	23	1.20	2.2	2155	632			24	1.40	2.5			1910	560	25	1.55	2.9			1651	484	26	1.80	3.2	1470	431	26	2.00	3.7	1293	379	27	2.30																																																																																																																																																																																																																																																												
236	15	3.77	3.9	5.90			219	16	6.07	4.0	2.80	GRX69 GRXF69	4P		0.28	16758		4914	128	2.2	GR149R79 GRF149R79	4P			257	13	5.18	3.8	5.60					294	12	4.53	3.6	7.10			309	11	4.30	3.6	7.30	353	10	3.77	3.4	9.00			416	8	3.20			3.2	12			460					7	2.89	3.1			14	524	7	2.54	3.0			18	554	6	2.40	3.0			20	652	5	2.04	2.8			26	205	17		4.35	3.3		4.00	GRX59 GRXF59	6P	0.32	14750	4325	53	0.85	GR139R79 GRF139R79	4P			235	15	3.79	3.2	4.60					251	14	3.55	3.1	5.00			242	14	5.50	3.1	2.80	GRX59 GRXF59	4P	0.37	12802	3754			60	1.05	GR109R79 GRF109R79	4P	262					13	5.07				3.0				2.80	306	11	4.35	2.9	6.10	351	9.8	3.79	2.8	7.10	0.48	9883	2898	65	1.30			GR109R79 GRF109R79	4P	0.54					8713	2555	66				1.50	0.63		7540	2211	67			1.70	0.71	6654	1951	68	1.95	0.82	5815	1705	69	2.25	0.90	5238	1536	69	2.50	1.0	4532	1329	70	2.85	1.2	3976	1166	70	3.25	0.56	8471	2484	49			0.95	GR99R59 GRF99R59	4P			0.52	9065	2658			47	0.90	0.58	8226	2412	50	0.95	0.67	7070	2073	52	1.10	0.76	6272	1839	54	1.25	0.87	5450	1598	55	1.45	0.99	4764	1397	56	1.65	1.1	4181	1226	56	1.90	1.3	3717	1090	57	2.15	1.5	3243	951	57	2.45	1.7	2834	831	57	2.80	0.99	4798	1407	22	0.90	GR109R79 GRF109R79	4P	1.1	4123	1209	29	1.05			1.3	3598	1055	31	1.20			1.5	3134	919	33	1.35	1.7	2779	815	34	1.55	1.9	2445	717	34	1.75	2.2	2135	626	35	2.00	0.99	4774	1400	24	0.90	GR109R79 GRF109R79	4P	1.1	4181	1226					29	1.05			1.3			3765	1104	31	1.15	1.5	3202	939	33	1.35	1.7	2803	822	34	1.55	1.5	3199	938	4.4	0.95	1.7	2810	824	21	1.05	1.9	2513	737	23	1.20	2.2	2155	632	24	1.40	2.5	1910	560			25	1.55	2.9			1651	484	26	1.80	3.2	1470	431	26	2.00	3.7	1293	379	27	2.30																																																																																																																																																																																																																																																																			
219	16	6.07	4.0	2.80	GRX69 GRXF69	4P	0.28	16758	4914	128	2.2			GR149R79 GRF149R79	4P																																																																																																																																																																																																																																																																																																																																																																																																																																																																																																																																																																																																																																																																									
257	13	5.18	3.8	5.60			294	12	4.53	3.6	7.10					309	11	4.30	3.6	7.30					353	10	3.77	3.4	9.00					416	8	3.20	3.2	12			460	7	2.89	3.1	14	524	7	2.54	3.0	18			554	6	2.40			3.0	20	652	5	2.04			2.8	26	205	17	4.35			3.3	4.00	GRX59 GRXF59	6P	0.32			14750	4325	53	0.85	GR139R79 GRF139R79			4P	235	15	3.79	3.2	4.60	251	14	3.55	3.1	5.00	242	14	5.50	3.1			2.80	GRX59 GRXF59	4P	0.37	12802			3754	60	1.05	GR109R79 GRF109R79	4P	262	13			5.07	3.0	2.80	306	11	4.35	2.9			6.10	351	9.8	3.79	2.8			7.10	0.48	9883			2898	65			1.30					GR109R79 GRF109R79	4P	0.54	8713	2555	66	1.50	0.63	7540	2211	67	1.70	0.71	6654	1951	68	1.95	0.82	5815	1705	69	2.25	0.90	5238	1536					69					2.50	1.0	4532		1329	70	2.85	1.2		3976	1166	70	3.25	0.56	8471	2484	49	0.95	GR99R59 GRF99R59	4P	0.52	9065	2658	47	0.90	0.58	8226	2412	50	0.95	0.67	7070	2073	52	1.10	0.76	6272	1839	54	1.25	0.87	5450	1598	55	1.45	0.99	4764	1397	56	1.65	1.1	4181	1226	56	1.90	1.3	3717	1090	57	2.15	1.5	3243	951	57	2.45	1.7	2834	831	57	2.80	0.99	4798	1407	22	0.90	GR109R79 GRF109R79	4P	1.1	4123	1209	29	1.05	1.3	3598	1055	31	1.20	1.5	3134	919	33	1.35	1.7	2779	815	34	1.55	1.9	2445	717	34	1.75	2.2	2135	626	35	2.00	0.99			4774	1400	24	0.90	GR109R79 GRF109R79			4P	1.1	4181	1226	29			1.05	1.3	3765	1104	31	1.15	1.5	3202	939	33	1.35	1.7	2803	822	34	1.55	1.5	3199	938	4.4	0.95	1.7	2810	824	21			1.05	1.9	2513		737	23		1.20	2.2	2155	632	24			1.40	2.5	1910	560	25	1.55	2.9	1651	484	26	1.80	3.2	1470	431	26	2.00	3.7	1293	379	27	2.30																																																																																																																																																																																																																																																																																																								
294	12	4.53	3.6	7.10			309	11	4.30	3.6	7.30					353	10	3.77	3.4	9.00					416	8	3.20	3.2	12					460	7	2.89	3.1	14			524	7	2.54	3.0	18	554	6	2.40	3.0	20			652	5	2.04			2.8	26	205	17	4.35			3.3	4.00	GRX59 GRXF59	6P	0.32			14750	4325			53			0.85	GR139R79 GRF139R79	4P	235		15	3.79		3.2	4.60	251	14	3.55	3.1	5.00	242	14	5.50	3.1	2.80	GRX59 GRXF59	4P	0.37	12802	3754			60	1.05			GR109R79 GRF109R79	4P	262			13	5.07			3.0	2.80	306	11	4.35	2.9	6.10			351	9.8	3.79	2.8	7.10			0.48	9883	2898			65	1.30			GR109R79 GRF109R79			4P	0.54			8713	2555	66	1.50	0.63	7540	2211	67	1.70	0.71	6654	1951	68	1.95	0.82	5815	1705	69	2.25	0.90	5238	1536	69					2.50	1.0	4532			1329	70	2.85		1.2	3976	1166	70		3.25	0.56	8471	2484	49	0.95	GR99R59 GRF99R59	4P	0.52			9065	2658	47	0.90	0.58	8226	2412	50	0.95	0.67	7070	2073	52	1.10	0.76	6272	1839	54	1.25	0.87	5450	1598	55	1.45	0.99	4764	1397	56	1.65	1.1	4181	1226	56	1.90	1.3	3717	1090	57	2.15	1.5	3243	951	57	2.45	1.7	2834	831	57	2.80	0.99	4798	1407	22	0.90	GR109R79 GRF109R79			4P	1.1	4123	1209	29	1.05	1.3	3598	1055	31	1.20	1.5	3134	919	33	1.35	1.7	2779	815	34	1.55	1.9	2445	717	34	1.75	2.2	2135	626	35	2.00			0.99	4774	1400	24					0.90	GR109R79 GRF109R79	4P	1.1			4181	1226	29	1.05	1.3	3765	1104	31	1.15	1.5	3202	939	33	1.35	1.7	2803	822	34	1.55	1.5	3199	938	4.4	0.95	1.7			2810	824	21		1.05	1.9		2513	737	23	1.20	2.2			2155	632	24	1.40	2.5	1910	560	25	1.55	2.9	1651	484	26	1.80	3.2	1470	431	26	2.00	3.7	1293	379	27	2.30																																																																																																																																																																																																																																																																																																					
309	11	4.30	3.6	7.30			353	10	3.77	3.4	9.00					416	8	3.20	3.2	12					460	7	2.89	3.1	14					524	7	2.54	3.0	18	554	6	2.40	3.0	20	652	5	2.04	2.8	26	205	17			4.35	3.3	4.00			GRX59 GRXF59	6P	0.32	14750	4325			53	0.85			GR139R79 GRF139R79			4P	235			15	3.79	3.2	4.60			251		14	3.55		3.1	5.00	242	14	5.50	3.1	2.80	GRX59 GRXF59	4P	0.37	12802	3754			60	1.05	GR109R79 GRF109R79			4P	262					13			5.07	3.0			2.80	306	11	4.35	2.9	6.10	351	9.8	3.79	2.8	7.10	0.48	9883	2898			65	1.30	GR109R79 GRF109R79			4P	0.54	8713	2555					66			1.50	0.63	7540	2211	67	1.70	0.71	6654	1951	68	1.95	0.82	5815	1705	69	2.25	0.90	5238	1536	69	2.50	1.0	4532	1329	70			2.85	1.2	3976			1166	70	3.25	0.56	8471	2484	49	0.95	GR99R59 GRF99R59	4P	0.52	9065	2658	47	0.90			0.58	8226	2412	50	0.95	0.67	7070	2073	52	1.10	0.76	6272	1839	54	1.25	0.87	5450	1598	55	1.45	0.99	4764	1397	56	1.65	1.1	4181	1226	56	1.90	1.3	3717	1090	57	2.15	1.5	3243	951	57	2.45	1.7	2834	831	57	2.80	0.99	4798	1407	22	0.90	GR109R79 GRF109R79	4P	1.1	4123	1209	29	1.05					1.3	3598	1055	31	1.20	1.5	3134	919	33	1.35	1.7	2779	815	34	1.55	1.9	2445	717	34	1.75	2.2	2135	626	35	2.00	0.99	4774	1400	24	0.90			GR109R79 GRF109R79	4P	1.1	4181					1226			29	1.05	1.3	3765	1104	31	1.15	1.5	3202	939	33	1.35	1.7	2803	822	34	1.55	1.5	3199	938	4.4	0.95	1.7	2810	824	21	1.05	1.9			2513	737	23		1.20	2.2		2155	632	24	1.40	2.5	1910	560	25	1.55	2.9	1651	484	26	1.80	3.2	1470	431	26	2.00	3.7	1293	379	27	2.30																																																																																																																																																																																																																																																																																																												
353	10	3.77	3.4	9.00			416	8	3.20	3.2	12					460	7	2.89	3.1	14					524	7	2.54	3.0	18	554	6			2.40	3.0	20	652	5	2.04	2.8	26	205	17	4.35	3.3	4.00	GRX59 GRXF59	6P	0.32	14750			4325	53	0.85					GR139R79 GRF139R79	4P	235			15	3.79				3.2	4.60		251	14	3.55	3.1	5.00	242	14			5.50		3.1	2.80		GRX59 GRXF59	4P	0.37	12802	3754	60	1.05			GR109R79 GRF109R79	4P	262			13	5.07					3.0					2.80			306	11	4.35	2.9	6.10	351	9.8	3.79	2.8	7.10	0.48	9883	2898	65	1.30	GR109R79 GRF109R79	4P	0.54			8713	2555					66	1.50	0.63					7540			2211	67	1.70	0.71	6654	1951	68	1.95	0.82	5815	1705	69	2.25	0.90	5238	1536	69	2.50	1.0	4532	1329	70	2.85	1.2	3976			1166	70	3.25	0.56	8471	2484	49	0.95	GR99R59 GRF99R59	4P	0.52	9065	2658			47	0.90	0.58	8226	2412	50	0.95	0.67	7070	2073	52	1.10	0.76	6272	1839	54	1.25	0.87	5450	1598	55	1.45	0.99	4764	1397	56	1.65	1.1	4181	1226	56	1.90	1.3	3717	1090	57	2.15	1.5	3243	951	57	2.45	1.7	2834	831	57	2.80	0.99	4798	1407	22	0.90	GR109R79 GRF109R79	4P	1.1	4123	1209			29	1.05	1.3	3598	1055					31	1.20	1.5	3134	919	33	1.35	1.7	2779	815	34	1.55	1.9	2445	717	34	1.75	2.2	2135	626	35	2.00	0.99	4774	1400	24	0.90	GR109R79 GRF109R79	4P	1.1					4181	1226		29	1.05		1.3			3765	1104	31	1.15	1.5	3202	939	33	1.35	1.7	2803	822	34	1.55	1.5	3199	938	4.4	0.95	1.7	2810	824	21	1.05	1.9	2513	737	23			1.20	2.2	2155	632	24	1.40	2.5	1910	560	25	1.55	2.9	1651	484	26	1.80	3.2	1470	431	26	2.00	3.7	1293	379	27	2.30																																																																																																																																																																																																																																																																																																																	
416	8	3.20	3.2	12			460	7	2.89	3.1	14					524	7	2.54	3.0	18	554	6			2.40	3.0	20	652	5	2.04	2.8			26	205	17	4.35	3.3	4.00	GRX59 GRXF59	6P	0.32	14750	4325	53	0.85			GR139R79 GRF139R79	4P			235	15	3.79							3.2	4.60	251	14	3.55	3.1	5.00		242	14		5.50	3.1	2.80	GRX59 GRXF59	4P	0.37	12802			3754		60	1.05				GR109R79 GRF109R79	4P	262	13	5.07					3.0			2.80	306					11	4.35	2.9			6.10	351	9.8	3.79	2.8	7.10	0.48	9883	2898	65	1.30	GR109R79 GRF109R79	4P	0.54	8713	2555	66	1.50			0.63			7540	2211					67	1.70	0.71		6654	1951		68			1.95	0.82	5815	1705	69	2.25	0.90	5238	1536	69	2.50	1.0	4532	1329	70	2.85	1.2	3976	1166	70	3.25	0.56	8471	2484	49	0.95	GR99R59 GRF99R59	4P	0.52	9065	2658	47	0.90	0.58	8226			2412	50	0.95	0.67	7070	2073	52	1.10	0.76	6272	1839	54	1.25	0.87	5450	1598	55	1.45	0.99	4764	1397	56	1.65	1.1	4181	1226	56	1.90	1.3	3717	1090	57	2.15	1.5	3243	951	57	2.45	1.7	2834	831	57	2.80	0.99	4798	1407	22	0.90	GR109R79 GRF109R79	4P	1.1	4123	1209	29	1.05	1.3	3598			1055	31	1.20			1.5	3134	919	33	1.35					1.7	2779	815	34	1.55	1.9	2445	717	34	1.75	2.2	2135	626	35	2.00	0.99	4774	1400	24	0.90	GR109R79 GRF109R79	4P	1.1	4181	1226	29	1.05			1.3	3765	1104			31	1.15		1.5	3202		939			33	1.35	1.7	2803	822	34	1.55	1.5	3199	938	4.4	0.95	1.7	2810	824	21	1.05	1.9	2513	737	23	1.20	2.2	2155	632	24	1.40	2.5	1910	560	25	1.55	2.9	1651	484	26	1.80	3.2	1470	431	26	2.00	3.7	1293	379	27	2.30																																																																																																																																																																																																																																																																																																																										
460	7	2.89	3.1	14			524	7	2.54	3.0	18			554	6	2.40	3.0	20	652	5	2.04	2.8			26	205	17	4.35	3.3	4.00	GRX59 GRXF59			6P	0.32	14750	4325	53	0.85			GR139R79 GRF139R79	4P	235	15	3.79							3.2	4.60	251	14	3.55	3.1	5.00			242	14	5.50	3.1	2.80	GRX59 GRXF59	4P		0.37	12802		3754	60	1.05			GR109R79 GRF109R79	4P			262		13	5.07						3.0	2.80	306					11			4.35	2.9					6.10	351	9.8	3.79	2.8	7.10	0.48	9883	2898	65	1.30	GR109R79 GRF109R79	4P	0.54	8713	2555			66	1.50	0.63	7540	2211			67			1.70	0.71		6654	1951		68	1.95	0.82		5815	1705		69			2.25	0.90	5238	1536	69	2.50	1.0	4532	1329	70	2.85	1.2	3976	1166	70	3.25	0.56	8471	2484	49	0.95	GR99R59 GRF99R59	4P	0.52	9065	2658			47	0.90	0.58	8226	2412	50	0.95	0.67	7070	2073	52	1.10	0.76	6272	1839	54	1.25	0.87	5450	1598	55	1.45	0.99	4764	1397	56	1.65	1.1	4181	1226	56	1.90	1.3	3717	1090	57	2.15	1.5	3243	951	57	2.45	1.7	2834	831	57	2.80	0.99	4798	1407	22	0.90	GR109R79 GRF109R79	4P	1.1	4123	1209			29	1.05	1.3	3598	1055	31	1.20			1.5	3134	919			33	1.35	1.7	2779	815					34	1.55	1.9	2445	717	34	1.75	2.2	2135	626	35	2.00	0.99	4774	1400	24	0.90	GR109R79 GRF109R79	4P	1.1			4181	1226	29	1.05	1.3			3765	1104	31			1.15	1.5		3202	939		33			1.35	1.7	2803	822	34	1.55	1.5	3199	938	4.4	0.95	1.7	2810	824	21	1.05	1.9	2513	737	23	1.20	2.2	2155	632	24	1.40	2.5	1910	560	25	1.55	2.9	1651	484	26	1.80	3.2	1470	431	26	2.00	3.7	1293	379	27	2.30																																																																																																																																																																																																																																																																																																																											
524	7	2.54	3.0	18			554	6	2.40	3.0	20			652	5	2.04	2.8	26	205	17	4.35	3.3			4.00	GRX59 GRXF59	6P	0.32	14750	4325					53	0.85	GR139R79 GRF139R79	4P	235					15	3.79	3.2	4.60	251			14	3.55	3.1	5.00	242	14	5.50	3.1	2.80			GRX59 GRXF59	4P	0.37	12802	3754				60	1.05		GR109R79 GRF109R79	4P	262							13	5.07	3.0	2.80	306					11	4.35	2.9					6.10			351	9.8	3.79			2.8	7.10	0.48	9883	2898	65	1.30	GR109R79 GRF109R79	4P	0.54	8713	2555			66	1.50	0.63			7540	2211	67	1.70	0.71			6654	1951	68	1.95	0.82		5815	1705		69	2.25	0.90		5238	1536		69	2.50	1.0	4532	1329	70	2.85	1.2	3976	1166	70	3.25	0.56	8471	2484	49	0.95	GR99R59 GRF99R59	4P	0.52	9065	2658	47	0.90			0.58	8226	2412	50	0.95	0.67	7070	2073	52	1.10	0.76	6272	1839	54	1.25	0.87	5450	1598	55	1.45	0.99	4764	1397	56	1.65	1.1	4181	1226	56	1.90	1.3	3717	1090	57	2.15	1.5	3243	951	57	2.45	1.7	2834	831	57	2.80	0.99	4798	1407	22	0.90	GR109R79 GRF109R79	4P	1.1	4123	1209	29	1.05			1.3	3598	1055			31	1.20	1.5	3134	919	33	1.35			1.7	2779	815			34	1.55	1.9	2445	717		34	1.75		2.2	2135	626	35	2.00	0.99	4774	1400	24	0.90	GR109R79 GRF109R79	4P	1.1	4181	1226	29	1.05			1.3			3765	1104	31	1.15	1.5			3202	939	33			1.35	1.7	2803	822	34	1.55	1.5			3199	938	4.4	0.95	1.7	2810	824	21	1.05	1.9	2513	737	23	1.20	2.2	2155	632	24	1.40	2.5	1910	560	25	1.55	2.9	1651	484	26	1.80	3.2	1470	431	26	2.00	3.7	1293	379	27	2.30																																																																																																																																																																																																																																																																																																																																		
554	6	2.40	3.0	20			652	5	2.04	2.8	26			205	17	4.35	3.3	4.00	GRX59 GRXF59	6P	0.32	14750			4325			53	0.85	GR139R79 GRF139R79					4P	235			15	3.79	3.2			4.60	251	14	3.55	3.1			5.00	242	14	5.50	3.1	2.80	GRX59 GRXF59	4P	0.37					12802	3754	60				1.05	GR109R79 GRF109R79				4P					262	13	5.07	3.0	2.80	306	11					4.35	2.9	6.10			351	9.8	3.79			2.8	7.10	0.48			9883	2898	65	1.30	GR109R79 GRF109R79	4P	0.54			8713	2555	66			1.50	0.63	7540			2211	67	1.70	0.71	6654			1951	68	1.95	0.82	5815		1705	69		2.25	0.90	5238	1536	69	2.50	1.0	4532	1329	70	2.85	1.2	3976	1166	70	3.25	0.56	8471	2484	49	0.95	GR99R59 GRF99R59	4P	0.52			9065	2658	47	0.90	0.58	8226	2412	50	0.95	0.67	7070	2073	52	1.10	0.76	6272	1839	54	1.25	0.87	5450	1598	55	1.45	0.99	4764	1397	56	1.65	1.1	4181	1226	56	1.90	1.3	3717	1090	57	2.15	1.5	3243	951	57	2.45	1.7	2834	831	57	2.80	0.99	4798	1407	22	0.90	GR109R79 GRF109R79	4P	1.1			4123	1209	29	1.05	1.3			3598	1055	31			1.20	1.5	3134	919	33	1.35	1.7			2779	815	34			1.55	1.9	2445	717	34	1.75	2.2	2135	626	35	2.00	0.99	4774	1400	24	0.90	GR109R79 GRF109R79	4P	1.1			4181	1226	29	1.05	1.3			3765			1104	31	1.15	1.5	3202			939	33	1.35			1.7	2803	822	34	1.55	1.5	3199	938	4.4	0.95	1.7	2810	824	21	1.05	1.9	2513	737	23	1.20	2.2	2155	632	24	1.40	2.5	1910	560	25	1.55	2.9	1651	484	26	1.80	3.2	1470	431	26	2.00	3.7	1293	379	27	2.30																																																																																																																																																																																																																																																																																																																																					
652	5	2.04	2.8	26			205	17	4.35	3.3	4.00			GRX59 GRXF59	6P	0.32	14750	4325			53	0.85			GR139R79 GRF139R79			4P	235		15	3.79	3.2	4.60		251			14	3.55	3.1			5.00	242	14	5.50	3.1			2.80	GRX59 GRXF59	4P	0.37	12802	3754			60					1.05	GR109R79 GRF109R79	4P			262	13		5.07								3.0	2.80	306	11	4.35	2.9	6.10			351	9.8	3.79	2.8	7.10			0.48	9883	2898			65	1.30	GR109R79 GRF109R79	4P	0.54	8713	2555	66	1.50			0.63			7540	2211	67			1.70	0.71	6654			1951	68	1.95	0.82	5815			1705	69	2.25	0.90	5238	1536	69	2.50	1.0	4532	1329	70	2.85	1.2	3976	1166	70	3.25	0.56	8471	2484	49	0.95	GR99R59 GRF99R59	4P	0.52	9065	2658	47	0.90			0.58	8226	2412	50	0.95	0.67	7070	2073	52	1.10	0.76	6272	1839	54	1.25	0.87	5450	1598	55	1.45	0.99	4764	1397	56	1.65	1.1	4181	1226	56	1.90	1.3	3717	1090	57	2.15	1.5	3243	951	57	2.45	1.7	2834	831	57	2.80	0.99	4798	1407	22	0.90	GR109R79 GRF109R79	4P	1.1	4123	1209	29	1.05			1.3			3598	1055	31	1.20	1.5			3134	919	33			1.35	1.7	2779	815	34	1.55	1.9			2445	717	34	1.75	2.2	2135	626	35	2.00	0.99	4774	1400	24	0.90	GR109R79 GRF109R79	4P	1.1	4181	1226	29	1.05			1.3			3765	1104	31	1.15	1.5			3202			939	33	1.35	1.7	2803			822	34	1.55	1.5	3199	938	4.4	0.95	1.7	2810	824	21	1.05	1.9	2513	737	23	1.20	2.2	2155	632	24	1.40	2.5	1910	560	25	1.55	2.9	1651	484	26	1.80	3.2	1470	431	26	2.00	3.7	1293	379	27	2.30																																																																																																																																																																																																																																																																																																																																												
205	17	4.35	3.3	4.00			GRX59 GRXF59	6P	0.32	14750	4325					53	0.85	GR139R79 GRF139R79			4P																																																																																																																																																																																																																																																																																																																																																																																																																																																																																																																																																																																																																																																																			
235	15	3.79	3.2	4.60					251	14	3.55	3.1	5.00			242	14		5.50	3.1		2.80	GRX59 GRXF59	4P		0.37	12802		3754		60	1.05	GR109R79 GRF109R79	4P		262			13	5.07	3.0			2.80	306	11	4.35	2.9	6.10	351	9.8			3.79	2.8	7.10			0.48	9883	2898			65					1.30	GR109R79 GRF109R79		4P	0.54	8713				2555	66	1.50	0.63	7540	2211	67	1.70	0.71			6654	1951	68	1.95	0.82	5815	1705	69	2.25	0.90	5238	1536	69	2.50			1.0	4532	1329	70	2.85			1.2			3976	1166	70			3.25	0.56	8471	2484	49	0.95	GR99R59 GRF99R59	4P	0.52	9065	2658	47	0.90	0.58	8226	2412	50	0.95	0.67	7070	2073	52	1.10	0.76	6272	1839	54	1.25	0.87	5450	1598	55	1.45	0.99	4764	1397	56	1.65	1.1	4181	1226	56	1.90	1.3	3717	1090	57	2.15	1.5	3243	951	57	2.45	1.7	2834	831	57	2.80	0.99	4798	1407	22	0.90	GR109R79 GRF109R79	4P	1.1	4123	1209	29	1.05	1.3	3598	1055	31	1.20	1.5	3134	919	33	1.35	1.7	2779	815	34	1.55	1.9	2445	717	34	1.75	2.2	2135	626	35			2.00	0.99	4774	1400	24			0.90			GR109R79 GRF109R79	4P	1.1	4181	1226			29	1.05	1.3	3765	1104	31	1.15	1.5	3202	939	33	1.35	1.7	2803	822	34	1.55	1.5	3199	938	4.4	0.95	1.7	2810	824	21	1.05	1.9			2513	737	23	1.20	2.2			2155			632	24	1.40	2.5	1910			560	25	1.55	2.9	1651	484	26	1.80	3.2	1470	431	26	2.00	3.7	1293	379	27	2.30																																																																																																																																																																																																																																																																																																																																																																															
251	14	3.55	3.1	5.00	242	14			5.50	3.1	2.80	GRX59 GRXF59	4P	0.37	12802	3754	60		1.05	GR109R79 GRF109R79		4P				262	13		5.07		3.0	2.80				306			11	4.35	2.9	6.10	351	9.8	3.79	2.8	7.10	0.48	9883	2898	65			1.30	GR109R79 GRF109R79	4P			0.54	8713	2555			66					1.50		0.63		7540	2211	67			1.70	0.71	6654	1951	68	1.95	0.82	5815	1705	69	2.25	0.90	5238	1536	69	2.50	1.0	4532	1329	70	2.85	1.2	3976	1166	70			3.25	0.56	8471	2484	49			0.95			GR99R59 GRF99R59	4P	0.52	9065	2658	47	0.90	0.58	8226	2412	50			0.95	0.67	7070	2073	52	1.10	0.76	6272	1839	54	1.25	0.87	5450	1598	55	1.45	0.99	4764	1397	56	1.65	1.1	4181	1226	56	1.90	1.3	3717	1090	57	2.15	1.5	3243	951	57	2.45	1.7	2834	831	57	2.80	0.99	4798	1407	22	0.90	GR109R79 GRF109R79	4P	1.1	4123	1209	29	1.05	1.3	3598			1055	31	1.20	1.5	3134	919	33	1.35	1.7	2779	815	34	1.55	1.9	2445	717	34	1.75	2.2	2135	626	35	2.00	0.99	4774	1400	24	0.90	GR109R79 GRF109R79			4P	1.1	4181	1226	29			1.05					1.3	3765	1104	31	1.15	1.5	3202	939	33	1.35	1.7	2803	822	34	1.55	1.5	3199	938	4.4	0.95	1.7	2810	824	21	1.05	1.9	2513	737	23	1.20	2.2	2155	632			24	1.40	2.5	1910	560			25			1.55	2.9	1651	484	26	1.80	3.2	1470	431	26	2.00	3.7	1293	379	27	2.30																																																																																																																																																																																																																																																																																																																																																																																								
242	14	5.50	3.1	2.80	GRX59 GRXF59	4P	0.37	12802	3754	60	1.05			GR109R79 GRF109R79	4P																																																																																																																																																																																																																																																																																																																																																																																																																																																																																																																																																																																																																																																																									
262	13	5.07	3.0	2.80			306	11	4.35	2.9	6.10					351	9.8		3.79							2.8	7.10		0.48	9883	2898	65			1.30	GR109R79 GRF109R79	4P	0.54	8713	2555	66	1.50	0.63	7540	2211	67	1.70	0.71	6654	1951	68			1.95					0.82	5815	1705			69	2.25	0.90	5238	1536	69		2.50		1.0	4532	1329	70	2.85	1.2	3976	1166	70	3.25	0.56	8471	2484	49	0.95	GR99R59 GRF99R59	4P	0.52	9065	2658	47	0.90	0.58	8226	2412	50	0.95	0.67	7070	2073			52	1.10	0.76	6272	1839	54	1.25	0.87	5450	1598	55	1.45	0.99	4764	1397	56	1.65	1.1	4181	1226	56	1.90	1.3	3717	1090	57	2.15	1.5	3243	951	57	2.45	1.7	2834	831	57	2.80	0.99	4798	1407	22	0.90	GR109R79 GRF109R79	4P	1.1	4123	1209	29	1.05	1.3	3598	1055	31	1.20	1.5	3134	919	33	1.35	1.7	2779	815	34	1.55	1.9	2445	717	34	1.75			2.2	2135	626	35	2.00	0.99	4774			1400	24	0.90	GR109R79 GRF109R79	4P	1.1	4181	1226	29	1.05	1.3	3765	1104	31	1.15	1.5	3202	939	33	1.35	1.7	2803	822	34	1.55	1.5	3199	938					4.4	0.95	1.7	2810	824	21	1.05	1.9	2513			737	23	1.20	2.2	2155	632	24	1.40	2.5	1910	560	25	1.55	2.9	1651	484	26	1.80	3.2	1470	431	26	2.00	3.7	1293	379	27	2.30																																																																																																																																																																																																																																																																																																																																																																																																																									
306	11	4.35	2.9	6.10			351	9.8	3.79	2.8	7.10					0.48	9883		2898						65	1.30	GR109R79 GRF109R79	4P	0.54	8713	2555	66	1.50	0.63	7540			2211	67	1.70	0.71	6654	1951	68	1.95	0.82	5815	1705	69	2.25	0.90			5238					1536	69	2.50	1.0	4532	1329	70	2.85	1.2	3976	1166		70		3.25	0.56	8471	2484	49	0.95	GR99R59 GRF99R59	4P	0.52	9065	2658	47	0.90	0.58	8226			2412	50	0.95	0.67	7070	2073	52	1.10	0.76	6272	1839	54	1.25	0.87	5450	1598	55	1.45	0.99	4764	1397	56	1.65	1.1	4181	1226	56	1.90	1.3	3717	1090	57	2.15	1.5	3243	951	57	2.45	1.7	2834	831	57	2.80	0.99	4798	1407	22	0.90	GR109R79 GRF109R79	4P	1.1	4123	1209	29	1.05	1.3	3598			1055	31	1.20	1.5	3134	919	33	1.35	1.7	2779	815	34	1.55	1.9	2445	717	34	1.75	2.2	2135	626	35	2.00	0.99	4774			1400	24	0.90	GR109R79 GRF109R79	4P	1.1	4181			1226	29	1.05			1.3	3765	1104	31	1.15	1.5	3202	939	33	1.35	1.7	2803	822	34	1.55	1.5	3199	938	4.4	0.95	1.7	2810	824		21	1.05		1.9	2513	737	23	1.20	2.2	2155	632	24			1.40	2.5	1910	560	25	1.55	2.9	1651	484	26	1.80	3.2	1470	431	26	2.00	3.7	1293	379	27	2.30																																																																																																																																																																																																																																																																																																																																																																																																																																
351	9.8	3.79	2.8	7.10			0.48	9883	2898	65	1.30					GR109R79 GRF109R79	4P	0.54	8713	2555	66	1.50			0.63	7540			2211	67	1.70	0.71	6654	1951	68			1.95	0.82	5815	1705	69	2.25	0.90	5238	1536	69	2.50	1.0	4532	1329			70			2.85	1.2	3976	1166	70	3.25	0.56	8471	2484	49	0.95	GR99R59 GRF99R59	4P		0.52		9065	2658	47	0.90	0.58	8226			2412	50	0.95	0.67	7070	2073	52	1.10	0.76	6272	1839	54	1.25	0.87	5450	1598	55	1.45	0.99	4764	1397	56	1.65	1.1	4181	1226	56	1.90	1.3	3717	1090	57	2.15	1.5	3243	951	57	2.45	1.7	2834	831	57	2.80	0.99	4798	1407	22	0.90	GR109R79 GRF109R79	4P	1.1	4123	1209	29	1.05	1.3	3598			1055	31	1.20	1.5	3134	919	33			1.35	1.7	2779	815	34	1.55	1.9	2445	717	34	1.75	2.2	2135	626	35	2.00	0.99	4774	1400	24	0.90	GR109R79 GRF109R79	4P	1.1	4181			1226	29	1.05			1.3	3765			1104	31	1.15			1.5	3202	939	33	1.35	1.7	2803	822	34	1.55	1.5	3199	938	4.4	0.95	1.7	2810	824	21	1.05	1.9	2513	737		23	1.20		2.2	2155	632	24	1.40	2.5	1910	560	25			1.55	2.9	1651	484	26	1.80	3.2	1470	431	26	2.00	3.7	1293	379	27	2.30																																																																																																																																																																																																																																																																																																																																																																																																																																					
0.48	9883	2898	65	1.30			GR109R79 GRF109R79	4P																																																																																																																																																																																																																																																																																																																																																																																																																																																																																																																																																																																																																																																																																
0.54	8713	2555	66	1.50					0.63	7540	2211			67	1.70			0.71	6654	1951	68	1.95			0.82	5815			1705	69	2.25	0.90	5238	1536	69			2.50	1.0	4532	1329	70	2.85	1.2	3976	1166	70	3.25	0.56	8471	2484	49	0.95	GR99R59 GRF99R59	4P	0.52	9065	2658	47	0.90	0.58	8226	2412	50	0.95	0.67	7070	2073	52	1.10	0.76	6272	1839	54	1.25	0.87	5450	1598	55	1.45	0.99	4764	1397	56	1.65	1.1	4181	1226	56	1.90	1.3	3717	1090	57	2.15	1.5	3243	951	57	2.45	1.7	2834	831	57	2.80	0.99	4798	1407	22	0.90	GR109R79 GRF109R79	4P	1.1	4123	1209	29	1.05	1.3	3598	1055	31	1.20	1.5	3134	919	33	1.35	1.7			2779	815	34	1.55	1.9	2445	717			34	1.75	2.2	2135	626	35	2.00			0.99	4774	1400	24	0.90	GR109R79 GRF109R79	4P	1.1	4181	1226	29	1.05	1.3	3765	1104	31	1.15	1.5	3202	939	33			1.35	1.7	2803	822	34	1.55	1.5			3199	938	4.4	0.95	1.7	2810	824			21	1.05	1.9	2513	737	23	1.20	2.2	2155	632	24	1.40	2.5	1910	560	25	1.55	2.9	1651	484	26	1.80	3.2	1470	431	26	2.00	3.7	1293	379	27	2.30																																																																																																																																																																																																																																																																																																																																																																																																																																																											
0.63	7540	2211	67	1.70					0.71	6654	1951			68	1.95			0.82	5815	1705	69	2.25	0.90	5238	1536	69			2.50	1.0	4532	1329	70	2.85	1.2			3976	1166	70	3.25	0.56	8471	2484	49	0.95	GR99R59 GRF99R59	4P	0.52	9065	2658	47	0.90			0.58	8226	2412	50	0.95	0.67	7070	2073	52	1.10	0.76	6272	1839	54	1.25	0.87	5450	1598	55	1.45	0.99	4764	1397	56	1.65	1.1	4181	1226	56	1.90	1.3	3717	1090	57	2.15	1.5	3243	951	57	2.45	1.7	2834	831	57	2.80	0.99	4798	1407	22	0.90	GR109R79 GRF109R79	4P	1.1	4123	1209			29	1.05	1.3	3598	1055	31	1.20	1.5	3134	919	33	1.35	1.7	2779	815	34			1.55	1.9	2445	717	34	1.75	2.2			2135	626	35	2.00	0.99	4774	1400			24	0.90	GR109R79 GRF109R79	4P	1.1			4181	1226	29	1.05	1.3	3765	1104	31	1.15	1.5	3202	939	33	1.35			1.7	2803	822	34	1.55	1.5	3199			938	4.4	0.95	1.7	2810	824	21			1.05	1.9	2513	737	23	1.20	2.2	2155	632	24	1.40	2.5	1910	560	25	1.55	2.9	1651	484	26	1.80	3.2	1470	431	26	2.00	3.7	1293	379	27	2.30																																																																																																																																																																																																																																																																																																																																																																																																																																																												
0.71	6654	1951	68	1.95					0.82	5815	1705	69	2.25	0.90	5238			1536	69	2.50	1.0	4532	1329	70	2.85	1.2			3976	1166	70	3.25	0.56	8471	2484	49	0.95	GR99R59 GRF99R59	4P	0.52	9065	2658	47	0.90	0.58	8226			2412	50	0.95	0.67	7070	2073	52	1.10	0.76	6272	1839	54	1.25	0.87	5450	1598	55	1.45	0.99	4764	1397	56	1.65	1.1	4181	1226	56	1.90	1.3	3717	1090	57	2.15	1.5	3243	951	57	2.45	1.7	2834	831	57	2.80	0.99	4798	1407	22	0.90	GR109R79 GRF109R79	4P	1.1	4123	1209	29	1.05	1.3	3598			1055	31	1.20			1.5	3134	919	33	1.35	1.7	2779	815	34	1.55	1.9	2445	717	34	1.75	2.2			2135	626	35	2.00	0.99	4774	1400			24	0.90	GR109R79 GRF109R79	4P	1.1	4181	1226	29	1.05	1.3	3765			1104			31	1.15	1.5	3202	939	33	1.35	1.7	2803	822	34	1.55	1.5	3199			938	4.4	0.95	1.7	2810	824	21			1.05	1.9	2513	737	23	1.20	2.2	2155	632	24	1.40	2.5	1910	560	25	1.55	2.9	1651	484	26	1.80	3.2	1470	431	26	2.00	3.7	1293	379	27	2.30																																																																																																																																																																																																																																																																																																																																																																																																																																																																					
0.82	5815	1705	69	2.25	0.90	5238			1536	69	2.50	1.0	4532	1329	70			2.85	1.2	3976	1166	70	3.25	0.56	8471	2484	49	0.95	GR99R59 GRF99R59	4P	0.52	9065	2658	47	0.90	0.58	8226			2412	50	0.95	0.67	7070	2073	52	1.10	0.76	6272	1839	54	1.25	0.87	5450	1598	55	1.45	0.99	4764	1397	56	1.65	1.1	4181	1226	56	1.90	1.3	3717	1090	57	2.15	1.5	3243	951	57	2.45	1.7	2834	831	57	2.80	0.99	4798	1407	22	0.90	GR109R79 GRF109R79	4P	1.1	4123	1209	29	1.05	1.3	3598			1055	31	1.20	1.5	3134	919	33			1.35	1.7	2779			815	34	1.55	1.9	2445	717	34	1.75	2.2	2135	626	35	2.00	0.99	4774	1400			24	0.90	GR109R79 GRF109R79	4P	1.1	4181	1226	29	1.05	1.3	3765			1104	31	1.15	1.5	3202	939	33			1.35			1.7	2803	822	34	1.55	1.5	3199	938	4.4	0.95	1.7	2810	824	21			1.05	1.9	2513	737	23	1.20	2.2	2155	632	24	1.40	2.5	1910	560	25	1.55	2.9	1651	484	26	1.80	3.2	1470	431	26	2.00	3.7	1293	379	27	2.30																																																																																																																																																																																																																																																																																																																																																																																																																																																																														
0.90	5238	1536	69	2.50	1.0	4532			1329	70	2.85	1.2	3976	1166	70	3.25	0.56	8471	2484	49	0.95	GR99R59 GRF99R59	4P	0.52	9065	2658	47	0.90			0.58	8226	2412	50	0.95	0.67	7070	2073	52	1.10	0.76	6272	1839	54	1.25	0.87	5450	1598	55	1.45	0.99	4764	1397	56	1.65	1.1	4181	1226	56	1.90	1.3	3717	1090	57	2.15	1.5	3243	951	57	2.45	1.7	2834	831	57	2.80	0.99	4798	1407	22	0.90	GR109R79 GRF109R79	4P	1.1	4123	1209	29	1.05			1.3	3598	1055	31	1.20	1.5	3134			919	33	1.35	1.7	2779	815	34			1.55	1.9	2445			717	34	1.75	2.2	2135	626	35	2.00	0.99	4774	1400	24	0.90	GR109R79 GRF109R79	4P	1.1	4181	1226	29	1.05			1.3	3765	1104	31	1.15	1.5	3202			939	33	1.35	1.7	2803	822	34			1.55			1.5	3199	938	4.4	0.95	1.7	2810	824	21	1.05	1.9	2513	737	23	1.20	2.2	2155	632	24	1.40	2.5	1910	560	25	1.55	2.9	1651	484	26	1.80	3.2	1470	431	26	2.00	3.7	1293	379	27	2.30																																																																																																																																																																																																																																																																																																																																																																																																																																																																																					
1.0	4532	1329	70	2.85	1.2	3976	1166	70	3.25	0.56	8471	2484	49	0.95	GR99R59 GRF99R59	4P	0.52	9065	2658	47	0.90			0.58	8226	2412	50	0.95	0.67	7070	2073	52	1.10	0.76	6272	1839	54	1.25	0.87	5450	1598	55	1.45	0.99	4764	1397	56	1.65	1.1	4181	1226	56	1.90	1.3	3717	1090	57	2.15	1.5	3243	951	57	2.45	1.7	2834	831	57	2.80	0.99	4798	1407	22	0.90	GR109R79 GRF109R79	4P	1.1	4123	1209	29	1.05			1.3	3598	1055	31	1.20			1.5	3134	919	33	1.35	1.7	2779			815	34	1.55	1.9	2445	717	34			1.75	2.2	2135			626	35	2.00	0.99	4774	1400	24	0.90	GR109R79 GRF109R79	4P	1.1	4181	1226			29	1.05	1.3	3765	1104			31	1.15	1.5	3202	939	33	1.35			1.7	2803	822	34	1.55	1.5	3199			938			4.4	0.95	1.7	2810	824	21	1.05	1.9	2513	737	23	1.20	2.2	2155	632	24	1.40	2.5	1910	560	25	1.55	2.9	1651	484	26	1.80	3.2	1470	431	26	2.00	3.7	1293	379	27	2.30																																																																																																																																																																																																																																																																																																																																																																																																																																																																																								
1.2	3976	1166	70	3.25	0.56	8471	2484	49	0.95	GR99R59 GRF99R59	4P	0.52	9065	2658			47	0.90	0.58	8226	2412	50	0.95	0.67	7070	2073	52	1.10	0.76	6272	1839	54	1.25	0.87	5450	1598	55	1.45	0.99	4764	1397	56	1.65	1.1	4181	1226	56	1.90	1.3	3717	1090	57	2.15	1.5	3243	951	57	2.45	1.7	2834	831	57	2.80	0.99	4798	1407	22	0.90	GR109R79 GRF109R79	4P	1.1	4123	1209			29	1.05	1.3	3598	1055			31	1.20	1.5	3134	919			33	1.35	1.7	2779	815	34	1.55			1.9	2445	717	34	1.75	2.2	2135			626	35	2.00	0.99	4774	1400	24	0.90	GR109R79 GRF109R79	4P	1.1	4181	1226			29	1.05	1.3			3765	1104	31	1.15	1.5			3202	939	33	1.35	1.7	2803	822			34	1.55	1.5	3199	938	4.4	0.95			1.7	2810	824	21	1.05	1.9	2513	737	23	1.20	2.2	2155	632	24	1.40	2.5	1910	560	25	1.55	2.9	1651	484	26	1.80	3.2	1470	431	26	2.00	3.7	1293	379	27	2.30																																																																																																																																																																																																																																																																																																																																																																																																																																																																																													
0.56	8471	2484	49	0.95	GR99R59 GRF99R59	4P																																																																																																																																																																																																																																																																																																																																																																																																																																																																																																																																																																																																																																																																																		
0.52	9065	2658	47	0.90			0.58	8226	2412	50	0.95	0.67	7070	2073	52	1.10	0.76	6272	1839	54	1.25	0.87	5450	1598	55	1.45	0.99	4764	1397	56	1.65	1.1	4181	1226	56	1.90	1.3	3717	1090	57	2.15	1.5	3243	951	57	2.45	1.7	2834	831	57	2.80	0.99	4798	1407	22	0.90	GR109R79 GRF109R79	4P	1.1	4123	1209	29	1.05	1.3	3598	1055	31	1.20			1.5	3134	919			33	1.35	1.7	2779	815			34	1.55	1.9	2445	717			34	1.75	2.2	2135	626	35	2.00	0.99	4774	1400	24	0.90	GR109R79 GRF109R79	4P	1.1	4181	1226	29	1.05	1.3	3765	1104	31	1.15	1.5	3202			939	33	1.35			1.7	2803	822			34	1.55	1.5	3199	938			4.4	0.95	1.7	2810	824	21	1.05	1.9	2513	737	23	1.20	2.2	2155	632	24	1.40	2.5	1910	560	25	1.55	2.9	1651	484	26	1.80	3.2	1470	431	26	2.00	3.7	1293	379	27	2.30																																																																																																																																																																																																																																																																																																																																																																																																																																																																																																													
0.58	8226	2412	50	0.95	0.67	7070	2073	52	1.10	0.76	6272	1839	54	1.25	0.87	5450	1598	55	1.45	0.99	4764	1397	56	1.65	1.1	4181	1226	56	1.90	1.3	3717	1090	57	2.15	1.5	3243	951	57	2.45	1.7	2834	831	57	2.80	0.99	4798	1407	22	0.90	GR109R79 GRF109R79	4P	1.1	4123	1209	29	1.05			1.3	3598	1055	31	1.20	1.5	3134	919	33	1.35			1.7	2779	815			34	1.55	1.9	2445	717			34	1.75	2.2	2135	626	35	2.00	0.99	4774	1400	24	0.90	GR109R79 GRF109R79	4P	1.1	4181	1226	29	1.05			1.3	3765	1104	31	1.15	1.5	3202	939	33	1.35	1.7	2803			822	34	1.55			1.5	3199	938			4.4	0.95	1.7	2810	824	21	1.05	1.9	2513	737	23	1.20	2.2	2155	632	24	1.40	2.5	1910	560	25	1.55	2.9	1651	484	26	1.80	3.2	1470	431	26	2.00	3.7	1293	379	27	2.30																																																																																																																																																																																																																																																																																																																																																																																																																																																																																																																				
0.67	7070	2073	52	1.10	0.76	6272	1839	54	1.25	0.87	5450	1598	55	1.45	0.99	4764	1397	56	1.65	1.1	4181	1226	56	1.90	1.3	3717	1090	57	2.15	1.5	3243	951	57	2.45	1.7	2834	831	57	2.80	0.99	4798	1407	22	0.90	GR109R79 GRF109R79	4P	1.1	4123	1209			29	1.05	1.3	3598	1055			31	1.20	1.5	3134	919	33	1.35	1.7	2779	815			34	1.55	1.9			2445	717	34	1.75	2.2	2135	626	35	2.00	0.99	4774	1400	24	0.90	GR109R79 GRF109R79	4P	1.1	4181	1226			29	1.05	1.3	3765	1104			31	1.15	1.5	3202	939	33	1.35	1.7	2803	822	34	1.55			1.5	3199	938			4.4	0.95	1.7	2810	824	21	1.05	1.9	2513	737	23	1.20	2.2	2155	632	24	1.40	2.5	1910	560	25	1.55	2.9	1651	484	26	1.80	3.2	1470	431	26	2.00	3.7	1293	379	27	2.30																																																																																																																																																																																																																																																																																																																																																																																																																																																																																																																									
0.76	6272	1839	54	1.25	0.87	5450	1598	55	1.45	0.99	4764	1397	56	1.65	1.1	4181	1226	56	1.90	1.3	3717	1090	57	2.15	1.5	3243	951	57	2.45	1.7	2834	831	57	2.80	0.99	4798	1407	22	0.90	GR109R79 GRF109R79	4P	1.1	4123	1209			29	1.05	1.3			3598	1055	31	1.20	1.5			3134	919	33	1.35	1.7	2779	815	34	1.55	1.9			2445	717	34	1.75	2.2	2135	626	35	2.00	0.99	4774	1400	24	0.90	GR109R79 GRF109R79	4P	1.1	4181	1226			29	1.05	1.3			3765	1104	31	1.15	1.5			3202	939	33	1.35	1.7	2803	822	34	1.55	1.5	3199	938			4.4	0.95	1.7	2810	824	21	1.05	1.9	2513	737	23	1.20	2.2	2155	632	24	1.40	2.5	1910	560	25	1.55	2.9	1651	484	26	1.80	3.2	1470	431	26	2.00	3.7	1293	379	27	2.30																																																																																																																																																																																																																																																																																																																																																																																																																																																																																																																														
0.87	5450	1598	55	1.45	0.99	4764	1397	56	1.65	1.1	4181	1226	56	1.90	1.3	3717	1090	57	2.15	1.5	3243	951	57	2.45	1.7	2834	831	57	2.80	0.99	4798	1407	22	0.90	GR109R79 GRF109R79	4P	1.1	4123	1209			29	1.05	1.3			3598	1055	31			1.20	1.5	3134	919	33			1.35	1.7	2779	815	34	1.55	1.9	2445	717	34	1.75	2.2	2135	626	35	2.00	0.99	4774	1400	24	0.90	GR109R79 GRF109R79	4P	1.1	4181	1226			29	1.05	1.3			3765	1104	31			1.15	1.5	3202	939	33			1.35	1.7	2803	822	34	1.55	1.5	3199	938	4.4	0.95	1.7	2810	824	21	1.05	1.9	2513	737	23	1.20	2.2	2155	632	24	1.40	2.5	1910	560	25	1.55	2.9	1651	484	26	1.80	3.2	1470	431	26	2.00	3.7	1293	379	27	2.30																																																																																																																																																																																																																																																																																																																																																																																																																																																																																																																																			
0.99	4764	1397	56	1.65	1.1	4181	1226	56	1.90	1.3	3717	1090	57	2.15	1.5	3243	951	57	2.45	1.7	2834	831	57	2.80	0.99	4798	1407	22	0.90	GR109R79 GRF109R79	4P	1.1	4123	1209			29	1.05	1.3			3598	1055	31			1.20	1.5	3134			919	33	1.35	1.7	2779			815	34	1.55	1.9	2445	717	34	1.75	2.2	2135	626	35	2.00	0.99	4774	1400	24	0.90	GR109R79 GRF109R79	4P	1.1			4181	1226	29			1.05	1.3	3765			1104	31	1.15			1.5	3202	939	33	1.35			1.7	2803	822	34	1.55	1.5	3199	938	4.4	0.95	1.7	2810	824	21	1.05	1.9	2513	737	23	1.20	2.2	2155	632	24	1.40	2.5	1910	560	25	1.55	2.9	1651	484	26	1.80	3.2	1470	431	26	2.00	3.7	1293	379	27	2.30																																																																																																																																																																																																																																																																																																																																																																																																																																																																																																																																				
1.1	4181	1226	56	1.90	1.3	3717	1090	57	2.15	1.5	3243	951	57	2.45	1.7	2834	831	57	2.80	0.99	4798	1407	22	0.90	GR109R79 GRF109R79	4P	1.1	4123	1209			29	1.05	1.3			3598	1055	31			1.20	1.5	3134			919	33	1.35			1.7	2779	815	34	1.55	1.9	2445	717	34	1.75	2.2	2135	626	35	2.00	0.99	4774	1400	24	0.90	GR109R79 GRF109R79	4P	1.1	4181	1226			29			1.05	1.3	3765			1104	31	1.15			1.5	3202	939			33	1.35	1.7	2803	822	34	1.55	1.5	3199	938	4.4	0.95	1.7	2810	824	21	1.05	1.9	2513	737	23	1.20	2.2	2155	632	24	1.40	2.5	1910	560	25	1.55	2.9	1651	484	26	1.80	3.2	1470	431	26	2.00	3.7	1293	379	27	2.30																																																																																																																																																																																																																																																																																																																																																																																																																																																																																																																																									
1.3	3717	1090	57	2.15	1.5	3243	951	57	2.45	1.7	2834	831	57	2.80	0.99	4798	1407	22	0.90	GR109R79 GRF109R79	4P	1.1	4123	1209			29	1.05	1.3			3598	1055	31			1.20	1.5	3134			919	33	1.35			1.7	2779	815	34	1.55	1.9	2445	717	34	1.75	2.2	2135	626	35	2.00	0.99	4774	1400	24	0.90	GR109R79 GRF109R79	4P	1.1	4181	1226			29	1.05	1.3			3765			1104	31	1.15			1.5	3202	939			33	1.35	1.7	2803	822	34	1.55	1.5	3199	938	4.4	0.95	1.7	2810	824	21	1.05	1.9	2513	737	23	1.20	2.2	2155	632	24	1.40	2.5	1910	560	25	1.55	2.9	1651	484	26	1.80	3.2	1470	431	26	2.00	3.7	1293	379	27	2.30																																																																																																																																																																																																																																																																																																																																																																																																																																																																																																																																														
1.5	3243	951	57	2.45	1.7	2834	831	57	2.80	0.99	4798	1407	22	0.90	GR109R79 GRF109R79	4P	1.1	4123	1209			29	1.05	1.3			3598	1055	31			1.20	1.5	3134			919	33	1.35			1.7	2779	815	34	1.55	1.9	2445	717	34	1.75	2.2	2135	626	35	2.00	0.99	4774	1400	24	0.90	GR109R79 GRF109R79	4P	1.1	4181	1226			29	1.05	1.3			3765	1104	31			1.15			1.5	3202	939			33	1.35	1.7	2803	822	34	1.55	1.5	3199	938	4.4	0.95	1.7	2810	824	21	1.05	1.9	2513	737	23	1.20	2.2	2155	632	24	1.40	2.5	1910	560	25	1.55	2.9	1651	484	26	1.80	3.2	1470	431	26	2.00	3.7	1293	379	27	2.30																																																																																																																																																																																																																																																																																																																																																																																																																																																																																																																																																			
1.7	2834	831	57	2.80	0.99	4798	1407	22	0.90	GR109R79 GRF109R79	4P	1.1	4123	1209			29	1.05	1.3			3598	1055	31			1.20	1.5	3134			919	33	1.35			1.7	2779	815	34	1.55	1.9	2445	717	34	1.75	2.2	2135	626	35	2.00	0.99	4774	1400	24	0.90	GR109R79 GRF109R79	4P	1.1	4181	1226			29	1.05	1.3			3765	1104	31			1.15	1.5	3202			939			33	1.35	1.7	2803	822	34	1.55	1.5	3199	938	4.4	0.95	1.7	2810	824	21	1.05	1.9	2513	737	23	1.20	2.2	2155	632	24	1.40	2.5	1910	560	25	1.55	2.9	1651	484	26	1.80	3.2	1470	431	26	2.00	3.7	1293	379	27	2.30																																																																																																																																																																																																																																																																																																																																																																																																																																																																																																																																																								
0.99	4798	1407	22	0.90	GR109R79 GRF109R79	4P																																																																																																																																																																																																																																																																																																																																																																																																																																																																																																																																																																																																																																																																																		
1.1	4123	1209	29	1.05			1.3	3598	1055			31	1.20	1.5			3134	919	33			1.35	1.7	2779			815	34	1.55	1.9	2445	717	34	1.75	2.2	2135	626	35	2.00	0.99	4774	1400	24	0.90	GR109R79 GRF109R79	4P	1.1	4181	1226	29	1.05	1.3	3765	1104	31	1.15			1.5	3202	939			33	1.35	1.7			2803	822	34			1.55	1.5	3199	938	4.4	0.95	1.7	2810	824	21	1.05	1.9	2513	737	23	1.20	2.2	2155	632	24	1.40	2.5	1910	560	25	1.55	2.9	1651	484	26	1.80	3.2	1470	431	26	2.00	3.7	1293	379	27	2.30																																																																																																																																																																																																																																																																																																																																																																																																																																																																																																																																																																						
1.3	3598	1055	31	1.20			1.5	3134	919			33	1.35	1.7			2779	815	34			1.55	1.9	2445	717	34	1.75	2.2	2135	626	35	2.00	0.99	4774	1400	24	0.90	GR109R79 GRF109R79	4P	1.1	4181	1226	29	1.05			1.3	3765	1104	31	1.15	1.5	3202	939	33	1.35			1.7	2803	822			34	1.55	1.5			3199	938	4.4	0.95	1.7	2810	824	21	1.05	1.9	2513	737	23	1.20	2.2	2155	632	24	1.40	2.5	1910	560	25	1.55	2.9	1651	484	26	1.80	3.2	1470	431	26	2.00	3.7	1293	379	27	2.30																																																																																																																																																																																																																																																																																																																																																																																																																																																																																																																																																																													
1.5	3134	919	33	1.35			1.7	2779	815			34	1.55	1.9			2445	717	34	1.75	2.2	2135	626	35	2.00	0.99	4774	1400	24	0.90	GR109R79 GRF109R79	4P	1.1	4181	1226	29	1.05			1.3	3765	1104	31	1.15			1.5	3202	939	33	1.35	1.7	2803	822	34	1.55			1.5	3199	938			4.4	0.95	1.7	2810	824	21	1.05	1.9	2513	737	23	1.20	2.2	2155	632	24	1.40	2.5	1910	560	25	1.55	2.9	1651	484	26	1.80	3.2	1470	431	26	2.00	3.7	1293	379	27	2.30																																																																																																																																																																																																																																																																																																																																																																																																																																																																																																																																																																																				
1.7	2779	815	34	1.55			1.9	2445	717			34	1.75	2.2	2135	626	35	2.00	0.99	4774	1400	24	0.90	GR109R79 GRF109R79	4P	1.1	4181	1226	29	1.05			1.3	3765	1104	31	1.15			1.5	3202	939	33	1.35			1.7	2803	822	34	1.55	1.5	3199	938	4.4	0.95			1.7	2810	824	21	1.05	1.9	2513	737	23	1.20	2.2	2155	632	24	1.40	2.5	1910	560	25	1.55	2.9	1651	484	26	1.80	3.2	1470	431	26	2.00	3.7	1293	379	27	2.30																																																																																																																																																																																																																																																																																																																																																																																																																																																																																																																																																																																											
1.9	2445	717	34	1.75			2.2	2135	626	35	2.00	0.99	4774	1400	24	0.90	GR109R79 GRF109R79	4P	1.1	4181	1226	29	1.05			1.3	3765	1104	31	1.15			1.5	3202	939	33	1.35			1.7	2803	822	34	1.55			1.5	3199	938	4.4	0.95	1.7	2810	824	21	1.05	1.9	2513	737	23	1.20	2.2	2155	632	24	1.40	2.5	1910	560	25	1.55	2.9	1651	484	26	1.80	3.2	1470	431	26	2.00	3.7	1293	379	27	2.30																																																																																																																																																																																																																																																																																																																																																																																																																																																																																																																																																																																																		
2.2	2135	626	35	2.00	0.99	4774	1400	24	0.90	GR109R79 GRF109R79	4P	1.1	4181	1226	29	1.05			1.3	3765	1104	31	1.15			1.5	3202	939	33	1.35			1.7	2803	822	34	1.55			1.5	3199	938	4.4	0.95			1.7	2810	824	21	1.05	1.9	2513	737	23	1.20	2.2	2155	632	24	1.40	2.5	1910	560	25	1.55	2.9	1651	484	26	1.80	3.2	1470	431	26	2.00	3.7	1293	379	27	2.30																																																																																																																																																																																																																																																																																																																																																																																																																																																																																																																																																																																																							
0.99	4774	1400	24	0.90	GR109R79 GRF109R79	4P																																																																																																																																																																																																																																																																																																																																																																																																																																																																																																																																																																																																																																																																																		
1.1	4181	1226	29	1.05			1.3	3765	1104			31	1.15	1.5	3202	939			33	1.35	1.7	2803	822			34	1.55	1.5	3199	938			4.4	0.95	1.7	2810	824	21	1.05	1.9	2513	737	23	1.20	2.2	2155	632	24	1.40	2.5	1910	560	25	1.55	2.9	1651	484	26	1.80	3.2	1470	431	26	2.00	3.7	1293	379	27	2.30																																																																																																																																																																																																																																																																																																																																																																																																																																																																																																																																																																																																																			
1.3	3765	1104	31	1.15			1.5	3202	939			33	1.35	1.7	2803	822			34	1.55	1.5	3199	938			4.4	0.95	1.7	2810	824	21	1.05	1.9	2513	737	23	1.20	2.2	2155	632	24	1.40	2.5	1910	560	25	1.55	2.9	1651	484	26	1.80	3.2	1470	431	26	2.00	3.7	1293	379	27	2.30																																																																																																																																																																																																																																																																																																																																																																																																																																																																																																																																																																																																																										
1.5	3202	939	33	1.35			1.7	2803	822			34	1.55	1.5	3199	938			4.4	0.95	1.7	2810	824	21	1.05	1.9	2513	737	23	1.20	2.2	2155	632	24	1.40	2.5	1910	560	25	1.55	2.9	1651	484	26	1.80	3.2	1470	431	26	2.00	3.7	1293	379	27	2.30																																																																																																																																																																																																																																																																																																																																																																																																																																																																																																																																																																																																																																	
1.7	2803	822	34	1.55			1.5	3199	938			4.4	0.95	1.7	2810	824	21	1.05	1.9	2513	737	23	1.20	2.2	2155	632	24	1.40	2.5	1910	560	25	1.55	2.9	1651	484	26	1.80	3.2	1470	431	26	2.00	3.7	1293	379	27	2.30																																																																																																																																																																																																																																																																																																																																																																																																																																																																																																																																																																																																																																								
1.5	3199	938	4.4	0.95			1.7	2810	824	21	1.05	1.9	2513	737	23	1.20	2.2	2155	632	24	1.40	2.5	1910	560	25	1.55	2.9	1651	484	26	1.80	3.2	1470	431	26	2.00	3.7	1293	379	27	2.30																																																																																																																																																																																																																																																																																																																																																																																																																																																																																																																																																																																																																																															
1.7	2810	824	21	1.05	1.9	2513	737	23	1.20	2.2	2155	632	24	1.40	2.5	1910	560	25	1.55	2.9	1651	484	26	1.80	3.2	1470	431	26	2.00	3.7	1293	379	27	2.30																																																																																																																																																																																																																																																																																																																																																																																																																																																																																																																																																																																																																																																						
1.9	2513	737	23	1.20	2.2	2155	632	24	1.40	2.5	1910	560	25	1.55	2.9	1651	484	26	1.80	3.2	1470	431	26	2.00	3.7	1293	379	27	2.30																																																																																																																																																																																																																																																																																																																																																																																																																																																																																																																																																																																																																																																											
2.2	2155	632	24	1.40	2.5	1910	560	25	1.55	2.9	1651	484	26	1.80	3.2	1470	431	26	2.00	3.7	1293	379	27	2.30																																																																																																																																																																																																																																																																																																																																																																																																																																																																																																																																																																																																																																																																
2.5	1910	560	25	1.55	2.9	1651	484	26	1.80	3.2	1470	431	26	2.00	3.7	1293	379	27	2.30																																																																																																																																																																																																																																																																																																																																																																																																																																																																																																																																																																																																																																																																					
2.9	1651	484	26	1.80	3.2	1470	431	26	2.00	3.7	1293	379	27	2.30																																																																																																																																																																																																																																																																																																																																																																																																																																																																																																																																																																																																																																																																										
3.2	1470	431	26	2.00	3.7	1293	379	27	2.30																																																																																																																																																																																																																																																																																																																																																																																																																																																																																																																																																																																																																																																																															
3.7	1293	379	27	2.30																																																																																																																																																																																																																																																																																																																																																																																																																																																																																																																																																																																																																																																																																				

选型参数表
(恒功率)
Selection Table
(Constant Power)

n_a [r/min]	M_a [N.m]	i	F_{Ra} [kN]	f_B	机型号 Type size	极数 Pole	n_a [r/min]	M_a [N.m]	i	F_{Ra} [kN]	f_B	机型号 Type size	极数 Pole
0.55kW							0.55kW						
4.1	1146	336	27	2.60	GR99R59	4P	17	289	80.55	7.2	1.45	GR59 GRF59	4P
4.7	1009	296	27	3.00	GRF99R59		20	249	69.23	7.3	1.70		
5.6	849	249	27	3.55			21	233	64.85	7.4	1.80		
2.6	1797	527	14	0.85	GR89R59 GRF89R59	4P	24	206	57.29	7.2	2.00		
3.0	1562	458	16	1.00			26	191	53.22	7.0	2.20		
3.5	1361	399	17	1.15			29	173	48.23	6.8	2.40		
3.9	1207	354	18	1.30			32	155	43.30	6.6	2.70		
4.6	1027	301	19	1.50			37	134	37.30	6.4	3.10		
2.9	1617	474	15	0.95	GR89R59 GRF89R59	4P	40	126	35.07	6.3	3.30		
3.5	1371	402	17	1.10			53	94	26.31	5.8	4.40		
3.8	1238	363	18	1.25			56	90	24.99	5.7	4.70		
5.0	941	276	6.1	0.85	GR79R39 GRF79R39	4P	63	79	21.93	5.5	5.30		
5.9	805	236	9.4	1.00			75	67	18.60	5.2	6.30		
6.3	754	221	10	1.05			15	336	93.68	3.1	0.85		
7.5	634	186	11	1.30			16	305	84.90	5.0	0.90		
2.6	1933	255.71	25	1.50	GR99 GRF99	8P	18	274	76.23	5.2	1.00		
2.7	1824	241.25	26	1.60			20	246	68.54	5.3	1.15		
3.1	1635	216.28	26	1.80	GR99 GRF99	6P	22	231	64.21	5.4	1.20		
3.1	1624	289.74	26	1.75			25	204	56.73	5.5	1.35		
3.5	1434	255.71	26	2.00			26	189	52.69	5.5	1.45		
3.7	1353	241.25	26	2.10			29	171	47.75	5.3	1.65		
4.1	1213	216.28	27	2.40			32	154	42.87	5.2	1.80		
4.8	1040	289.74	27	2.70	GR99 GRF99	4P	38	133	36.93	5.0	2.10		
5.4	918	255.71	27	3.00			40	125	34.73	4.9	2.20		
5.8	866	241.25	27	3.20			47	107	29.88	4.7	2.60		
6.4	776	216.28	27	3.60			52	96	26.74	4.6	2.90		
3.6	1388	247.61	17	1.10	GR89 GRF89	6P	60	84	23.28	4.4	3.30		
4.1	1219	217.48	18	1.25			64	78	21.81	4.3	3.60		
4.3	1158	206.60	18	1.30			23	213	61.18	3.7	0.85		
4.9	1023	182.55	19	1.45			25	194	55.76	4.5	0.95		
5.7	875	156.01	19	1.70			29	167	48.08	4.9	1.10		
5.6	889	247.61	19	1.65	GR89 GRF89	4P	31	156	44.81	5.0	1.15		
6.4	781	217.48	19	1.85			35	136	39.17	4.8	1.30		
6.7	742	206.60	19	1.95			38	128	36.72	4.7	1.40		
7.6	655	182.55	19	2.20			43	113	32.40	4.6	1.60		
8.9	560	156.01	19	2.60			48	100	28.73	4.5	1.80		
9.7	513	143.03	19	2.80			57	85	24.42	4.3	2.10		
11	451	125.51	19	3.20			62	77	22.27	4.2	2.30		
12	427	118.94	19	3.40			72	67	19.31	4.0	2.70		
13	374	104.10	19	3.90			77	63	18.05	3.9	2.90		
8.3	598	166.59	11	1.25			GR79 GRF79	4P	89	54	15.60	3.8	3.30
9.5	523	145.67	11	1.45	105	46			13.25	3.6	3.70		
10	497	138.39	11	1.55	117	41			11.83	3.5	4.00		
11	436	121.42	12	1.75	35	136			39.25	3.1	0.85		
13	370	102.99	12	2.10	38	128			36.79	3.1	0.90		
15	334	92.97	12	2.30	43	113			32.47	3.0	1.05		
17	294	81.80	12	2.60	48	100			28.78	2.9	1.15		
18	277	77.24	12	2.80	57	85			24.47	2.8	1.40		
21	236	65.77	12	3.20	62	78			22.32	2.8	1.50		
8.8	568	158.14	7.1	1.00	GR69 GRF69	4P			72	67	19.35	2.7	1.75
10	494	137.67	7.9	1.15			77	63	18.08	2.6	1.85		
11	463	128.97	8.2	1.20			89	54	15.63	2.5	2.20		
12	409	113.94	8.6	1.35			105	46	13.28	2.4	2.50		
13	380	105.83	8.8	1.45			117	41	11.86	2.3	2.80		
14	344	95.91	9.0	1.60			137	35	10.13	2.3	3.10		
16	309	86.11	9.2	1.80			148	33	9.41	2.2	3.40		
19	266	74.17	9.4	2.10			170	28	8.16	2.1	3.70		
20	250	69.75	10	2.20			182	27	7.63	2.1	3.80		
23	220	61.26	10	2.50			211	23	6.59	2.0	4.20		
24	204	56.89	10	2.70			248	19	5.60	1.9	4.60		
12	433	120.63	6.7	0.95			GR59 GRF59	4P	278	17	5.00	1.8	4.90
13	383	106.58	6.9	1.10					326	15	4.27	1.7	5.30
14	355	98.99	7.0	1.20					348	14	4.00	1.7	5.50
15	322	89.71	7.1	1.30					412	12	3.37	1.6	6.10

选型参数表
(恒功率)
Selection Table
(Constant Power)

n_a [r/min]	M_a [N.m]	i	F_{Ra} [kN]	f_B	机型号 Type size	极数 Pole	n_a [r/min]	M_a [N.m]	i	F_{Ra} [kN]	f_B	机型号 Type size	极数 Pole																																																																																																																																																																																																																																																																																																																																																																																																																																																																																																														
0.55kW							0.75kW																																																																																																																																																																																																																																																																																																																																																																																																																																																																																																																				
51	95	53.76	0.2	0.80	GR19	2P	0.48	13551	2914	128	2.7	GR179R99	4P																																																																																																																																																																																																																																																																																																																																																																																																																																																																																																														
58	84	47.44	1.2	0.90			GRF19	62	78	44.18	1.5	1.00		GR19	4P	0.52	12506	2682	128	3.1	GRF179R99	71	68	38.61	1.5	1.15	GRF169R99	71	69	19.71	1.5	1.10	GRF169R99	82	59	16.99	1.5	1.30	GRF169R99	88	55	15.84	1.5	1.40	GRF169R99	100	48	13.84	1.4	1.60	GRF169R99	107	45	12.98	1.4	1.70	GRF169R99	121	40	11.45	1.4	1.85	GRF169R99	137	35	10.15	1.4	1.95	GRF169R99	161	30	8.63	1.3	2.20	GRF169R99	184	26	7.55	1.2	1.90	GR19	4P	0.42	15356	3302	47	0.85	GR149R79	197	24	7.04	1.2	2.00	GRF149R79	226	21	6.15	1.2	2.30	GRF149R79	241	20	5.76	1.2	2.40	GRF149R79	273	18	5.09	1.1	2.60	GRF149R79	308	16	4.51	1.1	2.80	GRF149R79	363	13	3.83	1.1	3.00	GRF149R79	317	15	8.63	1.1	4.30	GRF149R79	363	13	7.55	1.0	3.80	GRF149R79	389	12	7.04	1.0	4.00	GRF149R79	446	11	6.15	1.0	4.50	GR19	2P	1.0	6469	1391	53	1.20	GR139R79	476	10	5.76	1.0	4.70	GRF139R79	538	9.0	5.09	0.9	5.20	GRF139R79	608	8.0	4.51	0.9	5.40	GRF139R79	715	6.8	3.83	0.9	6.00	GRF139R79	172	30	5.18	4.3	2.50	GRF139R79	196	26	4.53	4.1	3.10	GRF139R79	207	25	4.30	4.0	3.20	GRF139R79	236	22	3.77	3.9	4.00	GRF139R79	268	19	5.18	3.8	3.80	GRF139R79	307	17	4.53	3.6	4.70	GR19	4P	0.67	9640	2073	39	0.80	GR109R79	323	16	4.30	3.6	4.80	GRF109R79	369	14	3.77	3.4	6.00	GRF109R79	434	12	3.20	3.2	8.10	GRF109R79	481	11	2.89	3.1	9.50	GRF109R79	547	9.4	2.54	3.0	12	GRF109R79	579	8.8	2.40	3.0	13	GRF109R79	681	7.5	2.04	2.8	17	GRF109R79	747	6.9	1.86	2.7	18	GRF109R79	863	5.9	1.61	2.6	18	GRF109R79	205	25	4.35	3.3	2.70	GR19	4P	1.3	4906	1055	18	0.85	GR99R59	235	22	3.79	3.1	3.10	GRF99R59	251	20	3.55	3.1	3.30	GRF99R59	283	18	3.14	3.0	3.50	GRF99R59	306	17	2.91	2.9	3.90	GRF99R59	320	16	4.35	2.9	4.10	GRF99R59	367	14	3.79	2.8	4.70	GRF99R59	392	13	3.55	2.7	5.00	GRF99R59	443	12	3.14	2.6	5.40	GRF99R59	478	11	2.91	2.5	6.00	GRF99R59	527	9.7	2.64	2.5	6.80	GR19	4P	3.5	1856	399	12	0.85	GR89R59	586	8.7	2.37	2.4	7.50	GRF89R59	681	7.5	2.04	2.3	8.70	GRF89R59	724	7.1	1.92	2.2	9.30	GRF89R59	842	6.1	1.65	2.1	11	GRF89R59	939	5.5	1.48	2.0	12	GRF89R59	1103	4.6	1.26	2.0	13	GRF89R59	3.8	1688	363	15	0.90	GR89R59	4.6	1400	301	17	1.10	GRF89R59	5.4	1195	257	18	1.30	GRF89R59	2.7	2477	251.15	34	1.65	GR109	3.0	2268	229.95	34	1.80	GRF109	3.4	2003	203.16	35	2.00	GRF109	3.2	2133	216.28	24	1.35	GR99	3.7	1837	186.30	25	1.55	GRF99	4.1	1677	170.02	26	1.70	GRF99	3.6	1912	255.71	25	1.45	GR99	3.8	1804	241.25	25	1.55	GRF99	4.2	1617	216.28	26	1.75	GRF99	0.75kW							0.75kW							0.16	41147	8848	128	0.9	GR179R99	4P	0.16	41147	8848	128	0.9	GR179R99	4P	0.25	25736	5534	128	1.4	GRF179R99	0.28	22852	4914	128	1.6	GRF179R99	0.45	14407	3098
62	78	44.18	1.5	1.00	GR19	4P	0.52	12506	2682	128	3.1	GRF179R99																																																																																																																																																																																																																																																																																																																																																																																																																																																																																																															
71	68	38.61	1.5	1.15			GRF169R99																																																																																																																																																																																																																																																																																																																																																																																																																																																																																																																				
71	69	19.71	1.5	1.10			GRF169R99																																																																																																																																																																																																																																																																																																																																																																																																																																																																																																																				
82	59	16.99	1.5	1.30			GRF169R99																																																																																																																																																																																																																																																																																																																																																																																																																																																																																																																				
88	55	15.84	1.5	1.40			GRF169R99																																																																																																																																																																																																																																																																																																																																																																																																																																																																																																																				
100	48	13.84	1.4	1.60			GRF169R99																																																																																																																																																																																																																																																																																																																																																																																																																																																																																																																				
107	45	12.98	1.4	1.70			GRF169R99																																																																																																																																																																																																																																																																																																																																																																																																																																																																																																																				
121	40	11.45	1.4	1.85			GRF169R99																																																																																																																																																																																																																																																																																																																																																																																																																																																																																																																				
137	35	10.15	1.4	1.95			GRF169R99																																																																																																																																																																																																																																																																																																																																																																																																																																																																																																																				
161	30	8.63	1.3	2.20			GRF169R99																																																																																																																																																																																																																																																																																																																																																																																																																																																																																																																				
184	26	7.55	1.2	1.90	GR19	4P	0.42	15356	3302	47	0.85	GR149R79																																																																																																																																																																																																																																																																																																																																																																																																																																																																																																															
197	24	7.04	1.2	2.00			GRF149R79																																																																																																																																																																																																																																																																																																																																																																																																																																																																																																																				
226	21	6.15	1.2	2.30			GRF149R79																																																																																																																																																																																																																																																																																																																																																																																																																																																																																																																				
241	20	5.76	1.2	2.40			GRF149R79																																																																																																																																																																																																																																																																																																																																																																																																																																																																																																																				
273	18	5.09	1.1	2.60			GRF149R79																																																																																																																																																																																																																																																																																																																																																																																																																																																																																																																				
308	16	4.51	1.1	2.80			GRF149R79																																																																																																																																																																																																																																																																																																																																																																																																																																																																																																																				
363	13	3.83	1.1	3.00			GRF149R79																																																																																																																																																																																																																																																																																																																																																																																																																																																																																																																				
317	15	8.63	1.1	4.30			GRF149R79																																																																																																																																																																																																																																																																																																																																																																																																																																																																																																																				
363	13	7.55	1.0	3.80			GRF149R79																																																																																																																																																																																																																																																																																																																																																																																																																																																																																																																				
389	12	7.04	1.0	4.00			GRF149R79																																																																																																																																																																																																																																																																																																																																																																																																																																																																																																																				
446	11	6.15	1.0	4.50	GR19	2P	1.0	6469	1391	53	1.20	GR139R79																																																																																																																																																																																																																																																																																																																																																																																																																																																																																																															
476	10	5.76	1.0	4.70			GRF139R79																																																																																																																																																																																																																																																																																																																																																																																																																																																																																																																				
538	9.0	5.09	0.9	5.20			GRF139R79																																																																																																																																																																																																																																																																																																																																																																																																																																																																																																																				
608	8.0	4.51	0.9	5.40			GRF139R79																																																																																																																																																																																																																																																																																																																																																																																																																																																																																																																				
715	6.8	3.83	0.9	6.00			GRF139R79																																																																																																																																																																																																																																																																																																																																																																																																																																																																																																																				
172	30	5.18	4.3	2.50			GRF139R79																																																																																																																																																																																																																																																																																																																																																																																																																																																																																																																				
196	26	4.53	4.1	3.10			GRF139R79																																																																																																																																																																																																																																																																																																																																																																																																																																																																																																																				
207	25	4.30	4.0	3.20			GRF139R79																																																																																																																																																																																																																																																																																																																																																																																																																																																																																																																				
236	22	3.77	3.9	4.00			GRF139R79																																																																																																																																																																																																																																																																																																																																																																																																																																																																																																																				
268	19	5.18	3.8	3.80			GRF139R79																																																																																																																																																																																																																																																																																																																																																																																																																																																																																																																				
307	17	4.53	3.6	4.70	GR19	4P	0.67	9640	2073	39	0.80	GR109R79																																																																																																																																																																																																																																																																																																																																																																																																																																																																																																															
323	16	4.30	3.6	4.80			GRF109R79																																																																																																																																																																																																																																																																																																																																																																																																																																																																																																																				
369	14	3.77	3.4	6.00			GRF109R79																																																																																																																																																																																																																																																																																																																																																																																																																																																																																																																				
434	12	3.20	3.2	8.10			GRF109R79																																																																																																																																																																																																																																																																																																																																																																																																																																																																																																																				
481	11	2.89	3.1	9.50			GRF109R79																																																																																																																																																																																																																																																																																																																																																																																																																																																																																																																				
547	9.4	2.54	3.0	12			GRF109R79																																																																																																																																																																																																																																																																																																																																																																																																																																																																																																																				
579	8.8	2.40	3.0	13			GRF109R79																																																																																																																																																																																																																																																																																																																																																																																																																																																																																																																				
681	7.5	2.04	2.8	17			GRF109R79																																																																																																																																																																																																																																																																																																																																																																																																																																																																																																																				
747	6.9	1.86	2.7	18			GRF109R79																																																																																																																																																																																																																																																																																																																																																																																																																																																																																																																				
863	5.9	1.61	2.6	18			GRF109R79																																																																																																																																																																																																																																																																																																																																																																																																																																																																																																																				
205	25	4.35	3.3	2.70	GR19	4P	1.3	4906	1055	18	0.85	GR99R59																																																																																																																																																																																																																																																																																																																																																																																																																																																																																																															
235	22	3.79	3.1	3.10			GRF99R59																																																																																																																																																																																																																																																																																																																																																																																																																																																																																																																				
251	20	3.55	3.1	3.30			GRF99R59																																																																																																																																																																																																																																																																																																																																																																																																																																																																																																																				
283	18	3.14	3.0	3.50			GRF99R59																																																																																																																																																																																																																																																																																																																																																																																																																																																																																																																				
306	17	2.91	2.9	3.90			GRF99R59																																																																																																																																																																																																																																																																																																																																																																																																																																																																																																																				
320	16	4.35	2.9	4.10			GRF99R59																																																																																																																																																																																																																																																																																																																																																																																																																																																																																																																				
367	14	3.79	2.8	4.70			GRF99R59																																																																																																																																																																																																																																																																																																																																																																																																																																																																																																																				
392	13	3.55	2.7	5.00			GRF99R59																																																																																																																																																																																																																																																																																																																																																																																																																																																																																																																				
443	12	3.14	2.6	5.40			GRF99R59																																																																																																																																																																																																																																																																																																																																																																																																																																																																																																																				
478	11	2.91	2.5	6.00			GRF99R59																																																																																																																																																																																																																																																																																																																																																																																																																																																																																																																				
527	9.7	2.64	2.5	6.80	GR19	4P	3.5	1856	399	12	0.85	GR89R59																																																																																																																																																																																																																																																																																																																																																																																																																																																																																																															
586	8.7	2.37	2.4	7.50			GRF89R59																																																																																																																																																																																																																																																																																																																																																																																																																																																																																																																				
681	7.5	2.04	2.3	8.70			GRF89R59																																																																																																																																																																																																																																																																																																																																																																																																																																																																																																																				
724	7.1	1.92	2.2	9.30			GRF89R59																																																																																																																																																																																																																																																																																																																																																																																																																																																																																																																				
842	6.1	1.65	2.1	11			GRF89R59																																																																																																																																																																																																																																																																																																																																																																																																																																																																																																																				
939	5.5	1.48	2.0	12			GRF89R59																																																																																																																																																																																																																																																																																																																																																																																																																																																																																																																				
1103	4.6	1.26	2.0	13			GRF89R59																																																																																																																																																																																																																																																																																																																																																																																																																																																																																																																				
3.8	1688	363	15	0.90			GR89R59																																																																																																																																																																																																																																																																																																																																																																																																																																																																																																																				
4.6	1400	301	17	1.10			GRF89R59																																																																																																																																																																																																																																																																																																																																																																																																																																																																																																																				
5.4	1195	257	18	1.30			GRF89R59																																																																																																																																																																																																																																																																																																																																																																																																																																																																																																																				
2.7	2477	251.15	34	1.65	GR109																																																																																																																																																																																																																																																																																																																																																																																																																																																																																																																						
3.0	2268	229.95	34	1.80	GRF109																																																																																																																																																																																																																																																																																																																																																																																																																																																																																																																						
3.4	2003	203.16	35	2.00	GRF109																																																																																																																																																																																																																																																																																																																																																																																																																																																																																																																						
3.2	2133	216.28	24	1.35	GR99																																																																																																																																																																																																																																																																																																																																																																																																																																																																																																																						
3.7	1837	186.30	25	1.55	GRF99																																																																																																																																																																																																																																																																																																																																																																																																																																																																																																																						
4.1	1677	170.02	26	1.70	GRF99																																																																																																																																																																																																																																																																																																																																																																																																																																																																																																																						
3.6	1912	255.71	25	1.45	GR99																																																																																																																																																																																																																																																																																																																																																																																																																																																																																																																						
3.8	1804	241.25	25	1.55	GRF99																																																																																																																																																																																																																																																																																																																																																																																																																																																																																																																						
4.2	1617	216.28	26	1.75	GRF99																																																																																																																																																																																																																																																																																																																																																																																																																																																																																																																						
0.75kW							0.75kW																																																																																																																																																																																																																																																																																																																																																																																																																																																																																																																				
0.16	41147	8848	128	0.9	GR179R99	4P	0.16	41147	8848	128	0.9	GR179R99	4P																																																																																																																																																																																																																																																																																																																																																																																																																																																																																																														
0.25	25736	5534	128	1.4			GRF179R99																																																																																																																																																																																																																																																																																																																																																																																																																																																																																																																				
0.28	22852	4914	128	1.6			GRF179R99																																																																																																																																																																																																																																																																																																																																																																																																																																																																																																																				
0.45	14407	3098	128	2.5			GRF179R99																																																																																																																																																																																																																																																																																																																																																																																																																																																																																																																				

选型参数表
(恒功率)
Selection Table
(Constant Power)

n_a [r/min]	M_a [N.m]	i	F_{Ra} [kN]	f_B	机型号 Type size	极数 Pole	n_a [r/min]	M_a [N.m]	i	F_{Ra} [kN]	f_B	机型号 Type size	极数 Pole																																																																																																																																																																																																																																																																																																																																																																																																																																																																																																																																																																																																																																																																		
0.75kW							0.75kW																																																																																																																																																																																																																																																																																																																																																																																																																																																																																																																																																																																																																																																																								
4.8	1418	289.74	26	2.00	GR99 GRF99	4P	20	336	68.54	3.5	0.85	GR49 GRF49	4P																																																																																																																																																																																																																																																																																																																																																																																																																																																																																																																																																																																																																																																																		
5.4	1252	255.71	27	2.30			5.8	1181	241.25	27	2.40			6.4	1059	216.28	27	2.70	7.5	912	186.30	27	3.10	8.2	832	170.02	27	3.40	4.2	1626	217.48	15	0.90	GR89 GRF89	6P	26	258	52.69	5.2	1.10	GR49 GRF49	4P	4.4	1545	206.60	15	0.95	5.0	1365	182.55	17	1.05	5.8	1167	156.01	18	1.25	GR89 GRF89	6P	6.4	1069	143.03	18	1.35	5.6	1212	247.61	18	1.20	GR89 GRF89	4P	32	210	42.87	5.0	1.35	6.4	1065	217.48	18	1.40	6.7	1011	206.60	19	1.45	7.6	894	182.55	19	1.65	8.9	764	156.01	19	1.90	9.7	700	143.03	19	2.10	11	614	125.51	19	2.40	12	582	118.94	19	2.50	13	510	104.10	19	2.90	15	459	93.78	19	3.20	8.3	815	166.59	9.0	0.95	GR79 GRF79	4P	52	131	26.74	4.4	2.20	GR39 GRF39	4P	9.5	713	145.67	10	1.10	10	677	138.39	10	1.15	11	594	121.42	11	1.30	GR79 GRF79	4P	13	504	102.99	11	1.55	15	455	92.97	12	1.70	17	400	81.80	12	1.95	18	378	77.24	12	2.00	21	322	65.77	12	2.40	24	282	57.68	12	2.70	27	255	52.07	12	3.00	30	224	45.81	12	3.50	32	212	43.26	12	3.70	11	631	128.97	3.8	0.90	GR69 GRF69	4P	12	558	113.94	7.3	1.00	13	518	105.83	7.7	1.10	14	470	95.91	8.2	1.20	16	422	86.11	8.6	1.35	19	363	74.17	9.0	1.55	20	341	69.75	9.1	1.65	23	300	61.26	9.3	1.90	24	278	56.89	9.4	2.00	27	252	51.56	10	2.20	30	227	46.29	10	2.50	13	522	106.58	4.4	0.80	GR59 GRF59	4P	14	485	98.99	5.9	0.90	15	439	89.71	6.7	0.95	17	394	80.55	6.9	1.10	20	339	69.23	7.1	1.25	21	317	64.85	7.1	1.35	24	280	57.29	6.9	1.50	26	261	53.22	6.7	1.65	29	236	48.23	6.6	1.80	32	212	43.30	6.4	2.00	37	183	37.30	6.2	2.30	40	172	35.07	6.1	2.50	46	148	30.18	5.8	2.90	52	132	26.97	5.6	3.20	53	129	26.31	5.6	3.30	56	122	24.99	5.5	3.50	63	107	21.93	5.3	4.00	75	91	18.60	5.1	4.70	26	258	52.69	5.2	1.10	GR49 GRF49	4P	29	234	47.75	5.1	1.20	38	181	36.93	4.8	1.55	40	170	34.73	4.7	1.65	47	146	29.88	4.6	1.95	52	131	26.70	4.4	2.20	61	112	22.81	4.3	2.50	52	131	26.74	4.4	2.20	GR39 GRF39	4P	60	114	23.28	4.3	2.50	64	107	21.81	4.2	2.70	72	94	19.27	4.1	3.00	78	88	17.89	4.0	3.10	86	79	16.22	3.9	3.30	29	228	48.08	2.2	0.80	GR39 GRF39	4P	31	212	44.81	4.0	0.85	35	186	39.17	4.5	1.00	38	174	36.72	4.5	1.05	43	154	32.40	4.4	1.20	48	136	28.73	4.3	1.35	57	116	24.42	4.1	1.60	62	106	22.27	4.0	1.75	72	92	19.31	3.9	2.00	77	86	18.05	3.8	2.10	89	74	15.60	3.7	2.50	105	63	13.25	3.5	2.80	117	56	11.83	3.4	3.00	137	48	10.11	3.2	3.20	147	45	9.47	3.2	3.40	48	136	28.78	2.7	0.85	GR29 GRF29	4P	57	116	24.47	2.7	1.00	62	106	22.32	2.6	1.10	72	92	19.35	2.5	1.30	77	86	18.08	2.5	1.40	89	74	15.63	2.4	1.60	105	63	13.28	2.3	1.90	117	56	11.86	2.3	2.10	137	48	10.13	2.2	2.30	148	45	9.41	2.1	2.50	170	39	8.16	2.0	2.70	182	36	7.63	2.0	2.80	211	31	6.59	1.9	3.10	248	27	5.60	1.8	3.40	278	24	5.00	1.8	3.70	71	93	19.71	0.4	0.85	82	81	16.99	1.3	0.95	88	75	15.84	1.3	1.05	100	66	13.84	1.3	1.20	107	62	12.98	1.3	1.25	121	54	11.45	1.3	1.35	137	48	10.15	1.3	1.45	161	41	8.63	1.2	1.60	184	36	7.55	1.1	1.45	197	33	7.04	1.1	1.50	226	29	6.15	1.1	1.70	241	27	5.76	1.1	1.75	273	24	5.09	1.1	1.95	308	21	4.51	1.0	2.00	363	18	3.83	1.0	2.30											
5.8	1181	241.25	27	2.40																																																																																																																																																																																																																																																																																																																																																																																																																																																																																																																																																																																																																																																																											
6.4	1059	216.28	27	2.70			7.5	912	186.30	27	3.10	8.2	832	170.02	27	3.40	4.2	1626	217.48	15	0.90	GR89 GRF89	6P	26	258	52.69	5.2	1.10	GR49 GRF49	4P	4.4	1545	206.60	15	0.95	5.0	1365	182.55	17	1.05			5.8	1167	156.01	18	1.25	GR89 GRF89	6P	6.4	1069	143.03	18	1.35	5.6	1212	247.61	18	1.20	GR89 GRF89	4P	32	210	42.87	5.0	1.35	6.4	1065	217.48			18	1.40	6.7	1011	206.60	19	1.45	7.6	894	182.55	19	1.65	8.9	764	156.01	19	1.90	9.7	700	143.03	19	2.10	11	614	125.51	19	2.40	12	582	118.94	19	2.50	13	510	104.10	19	2.90	15	459	93.78	19	3.20	8.3	815	166.59	9.0	0.95	GR79 GRF79	4P	52	131	26.74	4.4	2.20	GR39 GRF39			4P	9.5	713	145.67	10			1.10	10	677	138.39	10	1.15	11	594	121.42	11	1.30	GR79 GRF79	4P	13	504			102.99	11	1.55	15	455	92.97	12	1.70	17	400	81.80	12	1.95	18	378	77.24	12	2.00	21	322	65.77	12	2.40	24	282	57.68	12	2.70	27	255	52.07	12	3.00	30	224	45.81	12	3.50	32	212	43.26	12	3.70	11	631	128.97	3.8	0.90	GR69 GRF69	4P			12	558	113.94	7.3	1.00	13	518	105.83	7.7	1.10	14	470	95.91	8.2	1.20	16	422	86.11	8.6	1.35	19	363	74.17	9.0	1.55	20	341	69.75	9.1	1.65	23	300	61.26	9.3	1.90	24	278	56.89	9.4	2.00	27	252	51.56	10	2.20	30	227	46.29	10	2.50	13	522	106.58	4.4	0.80			GR59 GRF59	4P	14	485	98.99	5.9	0.90	15	439	89.71	6.7	0.95	17	394	80.55	6.9	1.10	20	339	69.23	7.1	1.25	21	317	64.85	7.1	1.35	24	280	57.29	6.9	1.50	26	261	53.22	6.7	1.65	29	236	48.23	6.6	1.80	32	212	43.30	6.4	2.00	37	183	37.30	6.2	2.30	40	172	35.07	6.1	2.50	46	148	30.18	5.8	2.90	52	132	26.97	5.6	3.20	53	129	26.31	5.6	3.30	56	122	24.99	5.5	3.50	63	107	21.93	5.3	4.00	75	91	18.60	5.1	4.70	26	258	52.69			5.2	1.10	GR49 GRF49	4P	29	234	47.75	5.1	1.20	38	181	36.93	4.8	1.55	40	170	34.73	4.7	1.65	47	146	29.88	4.6	1.95	52	131	26.70	4.4	2.20	61	112	22.81	4.3	2.50	52			131	26.74	4.4	2.20	GR39 GRF39	4P	60	114	23.28	4.3	2.50	64	107	21.81	4.2	2.70	72	94	19.27	4.1	3.00	78	88	17.89	4.0	3.10	86	79	16.22	3.9			3.30	29	228	48.08	2.2	0.80	GR39 GRF39	4P	31	212	44.81	4.0	0.85	35	186	39.17	4.5	1.00	38	174	36.72	4.5	1.05	43	154	32.40	4.4	1.20	48	136	28.73	4.3	1.35	57	116	24.42	4.1	1.60	62	106	22.27	4.0	1.75	72	92	19.31	3.9	2.00	77	86	18.05	3.8	2.10	89	74	15.60	3.7	2.50	105	63	13.25	3.5	2.80	117	56	11.83	3.4	3.00	137	48	10.11	3.2	3.20	147	45			9.47	3.2	3.40	48	136	28.78	2.7	0.85	GR29 GRF29	4P	57	116	24.47	2.7	1.00	62	106	22.32	2.6	1.10	72	92	19.35	2.5	1.30	77	86	18.08	2.5	1.40	89	74	15.63	2.4	1.60	105	63	13.28	2.3	1.90	117	56	11.86	2.3	2.10	137	48	10.13	2.2	2.30	148	45	9.41	2.1	2.50	170	39	8.16	2.0	2.70	182	36	7.63	2.0	2.80	211	31	6.59	1.9	3.10	248	27	5.60	1.8	3.40	278	24	5.00	1.8	3.70	71	93	19.71	0.4	0.85	82	81	16.99	1.3	0.95	88	75	15.84	1.3	1.05	100	66	13.84	1.3	1.20	107	62	12.98	1.3	1.25	121	54	11.45	1.3	1.35	137	48	10.15	1.3	1.45	161	41	8.63	1.2	1.60	184	36	7.55	1.1	1.45	197	33	7.04	1.1	1.50	226	29	6.15	1.1	1.70	241	27	5.76	1.1	1.75	273	24	5.09	1.1	1.95	308	21	4.51	1.0	2.00	363	18	3.83	1.0	2.30	
7.5	912	186.30	27	3.10																																																																																																																																																																																																																																																																																																																																																																																																																																																																																																																																																																																																																																																																											
8.2	832	170.02	27	3.40	4.2	1626	217.48	15	0.90	GR89 GRF89	6P	26	258	52.69	5.2	1.10	GR49 GRF49	4P	4.4	1545	206.60	15	0.95	5.0	1365	182.55	17	1.05			5.8	1167	156.01	18	1.25	GR89 GRF89	6P	6.4	1069	143.03			18	1.35	5.6	1212	247.61	18	1.20	GR89 GRF89	4P	32	210	42.87	5.0	1.35	6.4	1065	217.48			18	1.40	6.7	1011	206.60	19	1.45	7.6			894	182.55	19	1.65	8.9	764	156.01	19	1.90	9.7	700	143.03	19	2.10	11	614	125.51	19	2.40	12	582	118.94	19	2.50	13	510	104.10	19	2.90	15	459	93.78	19	3.20	8.3	815	166.59	9.0	0.95	GR79 GRF79	4P	52	131	26.74	4.4	2.20	GR39 GRF39			4P	9.5	713	145.67	10		1.10	10		677	138.39	10	1.15			11	594	121.42	11	1.30	GR79 GRF79	4P	13	504	102.99	11			1.55	15			455	92.97	12	1.70	17	400	81.80	12	1.95	18	378	77.24	12	2.00	21	322	65.77	12	2.40	24	282	57.68	12	2.70	27	255	52.07	12	3.00	30	224	45.81	12	3.50	32	212	43.26	12	3.70	11	631	128.97	3.8	0.90	GR69 GRF69	4P	12	558					113.94	7.3	1.00	13	518	105.83	7.7	1.10	14	470	95.91	8.2	1.20	16	422	86.11	8.6	1.35	19	363	74.17	9.0	1.55	20	341	69.75	9.1	1.65	23	300	61.26	9.3	1.90	24	278	56.89	9.4	2.00	27	252	51.56	10	2.20	30	227	46.29	10	2.50	13	522	106.58	4.4	0.80	GR59 GRF59	4P					14	485	98.99	5.9	0.90	15	439	89.71	6.7	0.95	17	394	80.55	6.9	1.10	20	339	69.23	7.1	1.25	21	317	64.85	7.1	1.35	24	280	57.29	6.9	1.50	26	261	53.22	6.7	1.65	29	236	48.23	6.6	1.80	32	212	43.30	6.4	2.00	37	183	37.30	6.2	2.30	40	172	35.07	6.1	2.50	46	148	30.18	5.8	2.90	52	132	26.97	5.6	3.20	53	129	26.31	5.6	3.30	56	122	24.99	5.5	3.50	63	107	21.93	5.3	4.00	75	91	18.60	5.1	4.70	26	258	52.69			5.2	1.10			GR49 GRF49	4P	29	234	47.75	5.1	1.20	38	181	36.93	4.8	1.55	40	170	34.73	4.7	1.65	47	146	29.88	4.6	1.95	52	131	26.70	4.4	2.20	61	112	22.81	4.3			2.50	52	131	26.74			4.4	2.20	GR39 GRF39	4P	60	114	23.28	4.3	2.50	64	107	21.81	4.2	2.70	72	94	19.27	4.1	3.00	78	88	17.89	4.0	3.10			86	79	16.22	3.9	3.30	29			228	48.08	2.2	0.80	GR39 GRF39	4P	31	212	44.81	4.0	0.85	35	186	39.17	4.5	1.00	38	174	36.72	4.5	1.05	43	154	32.40	4.4	1.20	48	136	28.73	4.3	1.35	57	116	24.42	4.1	1.60	62	106	22.27	4.0	1.75	72	92	19.31	3.9	2.00	77	86	18.05	3.8	2.10	89	74	15.60	3.7	2.50	105	63	13.25	3.5	2.80	117	56	11.83	3.4	3.00	137			48	10.11	3.2	3.20	147	45	9.47	3.2			3.40	48	136	28.78	2.7	0.85	GR29 GRF29	4P	57	116	24.47	2.7	1.00	62	106	22.32	2.6	1.10	72	92	19.35	2.5	1.30	77	86	18.08	2.5	1.40	89	74	15.63	2.4	1.60	105	63	13.28	2.3	1.90	117	56	11.86	2.3	2.10	137	48	10.13	2.2	2.30	148	45	9.41	2.1	2.50	170	39	8.16	2.0	2.70	182	36	7.63	2.0	2.80	211	31	6.59	1.9	3.10	248	27	5.60	1.8	3.40	278	24	5.00	1.8	3.70	71	93	19.71	0.4	0.85	82	81	16.99	1.3	0.95	88	75	15.84	1.3	1.05	100	66	13.84	1.3	1.20	107	62	12.98	1.3	1.25	121	54	11.45	1.3	1.35	137	48	10.15	1.3	1.45	161	41	8.63	1.2	1.60	184	36	7.55	1.1	1.45	197	33	7.04	1.1	1.50	226	29	6.15	1.1	1.70	241	27	5.76	1.1	1.75	273	24	5.09	1.1	1.95	308	21	4.51
4.2	1626	217.48	15	0.90	GR89 GRF89	6P	26	258	52.69			5.2	1.10	GR49 GRF49	4P																																																																																																																																																																																																																																																																																																																																																																																																																																																																																																																																																																																																																																																																
4.4	1545	206.60	15	0.95			5.0	1365	182.55	17	1.05	5.8	1167			156.01			18	1.25	GR89 GRF89	6P	6.4	1069	143.03	18	1.35	5.6			1212	247.61	18	1.20	GR89 GRF89	4P	32	210	42.87	5.0	1.35	6.4	1065	217.48	18	1.40	6.7	1011	206.60			19	1.45	7.6	894	182.55	19	1.65	8.9			764	156.01	19	1.90	9.7	700	143.03	19			2.10	11	614	125.51	19	2.40	12	582	118.94	19	2.50	13	510	104.10	19	2.90	15	459	93.78	19	3.20	8.3	815	166.59	9.0	0.95	GR79 GRF79	4P	52	131	26.74	4.4	2.20	GR39 GRF39	4P	9.5	713	145.67	10			1.10	10	677	138.39	10		1.15	11		594	121.42	11	1.30		GR79 GRF79	4P		13	504	102.99	11	1.55	15	455	92.97	12	1.70	17			400	81.80	12	1.95			18	378			77.24	12	2.00	21	322	65.77	12	2.40	24	282	57.68	12	2.70	27	255	52.07	12	3.00	30	224	45.81	12	3.50	32	212	43.26	12	3.70	11	631	128.97	3.8	0.90	GR69 GRF69	4P	12	558	113.94	7.3	1.00	13	518	105.83	7.7			1.10	14					470	95.91	8.2	1.20	16	422	86.11	8.6	1.35	19	363	74.17	9.0	1.55	20	341	69.75	9.1	1.65	23	300	61.26	9.3	1.90	24	278	56.89	9.4	2.00	27	252	51.56	10	2.20	30	227	46.29	10	2.50	13	522	106.58	4.4	0.80	GR59 GRF59	4P	14	485	98.99	5.9	0.90	15	439							89.71	6.7	0.95	17	394	80.55	6.9	1.10	20	339	69.23	7.1	1.25	21	317	64.85	7.1	1.35	24	280	57.29	6.9	1.50	26	261	53.22	6.7	1.65	29	236	48.23	6.6	1.80	32	212	43.30	6.4	2.00	37	183	37.30	6.2	2.30	40	172	35.07	6.1	2.50	46	148	30.18	5.8	2.90	52	132	26.97	5.6	3.20	53	129	26.31	5.6	3.30	56	122	24.99	5.5	3.50	63	107	21.93	5.3	4.00	75	91	18.60	5.1	4.70	26	258	52.69	5.2	1.10	GR49 GRF49	4P	29	234	47.75	5.1	1.20	38	181					36.93	4.8	1.55	40	170	34.73	4.7	1.65	47	146	29.88	4.6	1.95	52	131	26.70	4.4	2.20	61	112	22.81	4.3	2.50	52	131	26.74	4.4	2.20	GR39 GRF39	4P	60	114	23.28	4.3	2.50			64	107			21.81	4.2	2.70	72	94	19.27	4.1	3.00	78	88	17.89	4.0	3.10	86	79	16.22	3.9	3.30	29	228	48.08	2.2	0.80	GR39 GRF39	4P	31	212	44.81			4.0	0.85	35	186			39.17	4.5	1.00	38	174	36.72	4.5	1.05	43	154	32.40	4.4	1.20	48	136	28.73	4.3	1.35	57	116	24.42	4.1	1.60	62	106	22.27	4.0	1.75	72	92	19.31	3.9	2.00	77	86	18.05	3.8	2.10	89	74	15.60	3.7	2.50	105	63	13.25	3.5	2.80	117	56	11.83	3.4	3.00	137	48	10.11	3.2	3.20	147	45	9.47	3.2	3.40	48	136	28.78	2.7	0.85	GR29 GRF29	4P	57			116	24.47	2.7	1.00	62	106			22.32	2.6	1.10	72	92	19.35	2.5	1.30	77	86	18.08	2.5	1.40	89	74	15.63	2.4	1.60	105	63	13.28	2.3	1.90	117	56	11.86	2.3	2.10	137	48	10.13	2.2	2.30	148	45	9.41	2.1	2.50	170	39	8.16	2.0	2.70	182	36	7.63	2.0	2.80	211	31	6.59	1.9	3.10	248	27	5.60	1.8	3.40	278	24	5.00	1.8	3.70	71	93	19.71	0.4	0.85	82	81	16.99	1.3	0.95	88	75	15.84	1.3	1.05	100	66	13.84	1.3	1.20	107	62	12.98	1.3	1.25	121	54	11.45	1.3	1.35	137	48	10.15	1.3	1.45	161	41	8.63	1.2	1.60	184	36	7.55	1.1	1.45	197	33	7.04	1.1	1.50	226	29	6.15	1.1	1.70	241	27	5.76	1.1	1.75	273	24	5.09	1.1	1.95	308	21	4.51	1.0	2.00	363	18	3.83	1.0	2.30
5.0	1365	182.55	17	1.05	5.8	1167	156.01	18	1.25	GR89 GRF89	6P	6.4	1069			143.03			18	1.35			5.6	1212	247.61	18	1.20	GR89 GRF89	4P	32	210	42.87	5.0	1.35			6.4	1065	217.48	18	1.40	6.7	1011	206.60	19	1.45	7.6	894	182.55			19	1.65	8.9	764	156.01	19	1.90	9.7			700	143.03	19	2.10	11	614	125.51	19			2.40	12	582	118.94	19	2.50	13	510	104.10	19	2.90	15	459	93.78	19	3.20	8.3	815	166.59	9.0	0.95	GR79 GRF79	4P	52	131	26.74			4.4	2.20	GR39 GRF39	4P	9.5			713	145.67	10	1.10	10	677	138.39	10	1.15	11	594		121.42	11		1.30	GR79 GRF79	4P	13	504			102.99	11	1.55	15	455	92.97	12	1.70	17	400	81.80	12			1.95	18	378	77.24			12	2.00			21	322	65.77	12	2.40	24	282	57.68	12	2.70	27	255	52.07	12	3.00	30	224	45.81	12	3.50	32	212	43.26	12	3.70	11	631	128.97	3.8	0.90	GR69 GRF69	4P	12			558	113.94	7.3	1.00	13	518	105.83	7.7	1.10			14	470					95.91	8.2	1.20	16	422	86.11	8.6	1.35	19	363	74.17	9.0	1.55	20	341	69.75	9.1	1.65	23	300	61.26	9.3	1.90	24	278	56.89	9.4	2.00	27	252	51.56	10	2.20	30	227	46.29	10	2.50	13	522	106.58	4.4	0.80	GR59 GRF59			4P	14	485	98.99	5.9	0.90	15							439	89.71	6.7	0.95	17	394	80.55	6.9	1.10	20	339	69.23	7.1	1.25	21	317	64.85	7.1	1.35	24	280	57.29	6.9	1.50	26	261	53.22	6.7	1.65	29	236	48.23	6.6	1.80	32	212	43.30	6.4	2.00	37	183	37.30	6.2	2.30	40	172	35.07	6.1	2.50	46	148	30.18	5.8	2.90	52	132	26.97	5.6	3.20	53	129	26.31	5.6	3.30	56	122	24.99	5.5	3.50	63	107	21.93	5.3	4.00	75	91	18.60	5.1	4.70	26	258	52.69	5.2			1.10	GR49 GRF49	4P	29	234	47.75	5.1	1.20	38			181	36.93	4.8	1.55	40	170	34.73	4.7	1.65	47	146	29.88	4.6	1.95	52	131	26.70	4.4	2.20	61	112	22.81	4.3	2.50	52	131	26.74	4.4			2.20	GR39 GRF39	4P	60	114	23.28	4.3	2.50	64			107	21.81	4.2	2.70	72	94	19.27	4.1	3.00	78	88	17.89	4.0	3.10	86	79	16.22	3.9	3.30	29	228	48.08	2.2			0.80	GR39 GRF39	4P	31	212	44.81	4.0	0.85	35			186	39.17	4.5	1.00	38	174	36.72	4.5	1.05	43	154	32.40	4.4	1.20	48	136	28.73	4.3	1.35	57	116	24.42	4.1	1.60	62	106	22.27	4.0	1.75	72	92	19.31	3.9	2.00	77	86	18.05	3.8	2.10	89	74	15.60	3.7	2.50	105	63	13.25	3.5	2.80	117	56	11.83	3.4	3.00	137	48	10.11	3.2	3.20	147	45	9.47	3.2	3.40	48	136	28.78	2.7			0.85	GR29 GRF29	4P	57	116	24.47	2.7	1.00	62			106	22.32	2.6	1.10	72	92	19.35	2.5	1.30	77	86	18.08	2.5	1.40	89	74	15.63	2.4	1.60	105	63	13.28	2.3	1.90	117	56	11.86	2.3	2.10	137	48	10.13	2.2	2.30	148	45	9.41	2.1	2.50	170	39	8.16	2.0	2.70	182	36	7.63	2.0	2.80	211	31	6.59	1.9	3.10	248	27	5.60	1.8	3.40	278	24	5.00	1.8	3.70	71	93	19.71	0.4	0.85	82	81	16.99	1.3	0.95	88	75	15.84	1.3	1.05	100	66	13.84	1.3	1.20	107	62	12.98	1.3	1.25	121	54	11.45	1.3	1.35	137	48	10.15	1.3	1.45	161	41	8.63	1.2	1.60	184	36	7.55	1.1	1.45	197	33	7.04	1.1	1.50	226	29	6.15	1.1	1.70	241	27	5.76	1.1	1.75	273	24	5.09	1.1	1.95	308	21	4.51	1.0	2.00	363	18	3.83	1.0
5.8	1167	156.01	18	1.25	GR89 GRF89	6P	6.4	1069	143.03			18	1.35			5.6			1212	247.61	18	1.20	GR89 GRF89	4P	32	210	42.87			5.0	1.35	6.4	1065	217.48			18	1.40	6.7	1011	206.60	19	1.45	7.6	894	182.55	19	1.65	8.9			764	156.01	19	1.90	9.7	700	143.03	19			2.10	11	614	125.51	19	2.40	12	582			118.94	19	2.50	13	510	104.10	19	2.90	15	459	93.78	19	3.20	8.3	815	166.59	9.0	0.95	GR79 GRF79	4P	52			131	26.74	4.4			2.20	GR39 GRF39			4P			9.5	713	145.67	10	1.10	10	677	138.39	10	1.15	11		594	121.42		11			1.30	GR79 GRF79			4P	13	504	102.99	11	1.55	15	455	92.97	12	1.70	17			400	81.80	12	1.95			18	378			77.24	12	2.00	21	322	65.77	12	2.40	24	282	57.68	12	2.70	27	255	52.07	12	3.00	30	224	45.81	12	3.50	32	212	43.26	12	3.70	11	631			128.97			3.8	0.90	GR69 GRF69	4P	12	558	113.94	7.3	1.00			13	518					105.83	7.7	1.10	14	470	95.91	8.2	1.20	16	422	86.11	8.6	1.35	19	363	74.17	9.0	1.55	20	341	69.75	9.1	1.65	23	300	61.26	9.3	1.90	24	278	56.89	9.4	2.00	27	252	51.56	10	2.20	30	227	46.29	10	2.50					13	522	106.58	4.4	0.80	GR59 GRF59							4P	14	485	98.99	5.9	0.90	15	439	89.71	6.7	0.95	17	394	80.55	6.9	1.10	20	339	69.23	7.1	1.25	21	317	64.85	7.1	1.35	24	280	57.29	6.9	1.50	26	261	53.22	6.7	1.65	29	236	48.23	6.6	1.80	32	212	43.30	6.4	2.00	37	183	37.30	6.2	2.30	40	172	35.07	6.1	2.50	46	148	30.18	5.8	2.90	52	132	26.97	5.6	3.20	53	129	26.31	5.6	3.30	56	122	24.99	5.5	3.50	63	107	21.93	5.3	4.00	75	91			18.60			5.1	4.70	26	258	52.69	5.2			1.10	GR49 GRF49	4P	29	234	47.75	5.1	1.20	38	181	36.93	4.8	1.55	40	170	34.73	4.7	1.65	47	146	29.88	4.6	1.95	52	131	26.70	4.4	2.20			61			112	22.81	4.3	2.50	52	131			26.74	4.4	2.20	GR39 GRF39	4P	60	114	23.28	4.3	2.50	64	107	21.81	4.2	2.70	72	94	19.27	4.1	3.00	78	88	17.89			4.0			3.10	86	79	16.22	3.9	3.30			29	228	48.08	2.2	0.80	GR39 GRF39	4P	31	212	44.81	4.0	0.85	35	186	39.17	4.5	1.00	38	174	36.72	4.5	1.05	43	154	32.40	4.4	1.20	48	136	28.73	4.3	1.35	57	116	24.42	4.1	1.60	62	106	22.27	4.0	1.75	72	92	19.31	3.9	2.00	77	86	18.05	3.8	2.10	89	74	15.60	3.7	2.50	105	63	13.25	3.5	2.80	117	56	11.83	3.4	3.00	137			48			10.11	3.2	3.20	147	45	9.47			3.2	3.40	48	136	28.78	2.7	0.85	GR29 GRF29	4P	57	116	24.47	2.7	1.00	62	106	22.32	2.6	1.10	72	92	19.35	2.5	1.30	77	86	18.08	2.5	1.40	89	74	15.63	2.4	1.60	105	63	13.28	2.3	1.90	117	56	11.86	2.3	2.10	137	48	10.13	2.2	2.30	148	45	9.41	2.1	2.50	170	39	8.16	2.0	2.70	182	36	7.63	2.0	2.80	211	31	6.59	1.9	3.10	248	27	5.60	1.8	3.40	278	24	5.00	1.8	3.70	71	93	19.71	0.4	0.85	82	81	16.99	1.3	0.95	88	75	15.84	1.3	1.05	100	66	13.84	1.3	1.20	107	62	12.98	1.3	1.25	121	54	11.45	1.3	1.35	137	48	10.15	1.3	1.45	161	41	8.63	1.2	1.60	184	36	7.55	1.1	1.45	197	33	7.04	1.1	1.50	226	29	6.15	1.1	1.70	241	27	5.76	1.1
6.4	1069	143.03	18	1.35																																																																																																																																																																																																																																																																																																																																																																																																																																																																																																																																																																																																																																																																											
5.6	1212	247.61	18	1.20	GR89 GRF89	4P	32	210	42.87	5.0	1.35																																																																																																																																																																																																																																																																																																																																																																																																																																																																																																																																																																																																																																																																				
6.4	1065	217.48	18	1.40			6.7	1011	206.60	19	1.45	7.6	894	182.55	19	1.65	8.9	764	156.01	19	1.90	9.7			700	143.03	19			2.10	11	614	125.51	19			2.40	12	582	118.94	19	2.50	13	510	104.10	19	2.90	15	459			93.78	19	3.20	8.3	815	166.59	9.0	0.95			GR79 GRF79	4P	52	131	26.74	4.4	2.20	GR39 GRF39	4P	9.5	713	145.67	10	1.10	10	677	138.39	10	1.15	11	594	121.42	11	1.30	GR79 GRF79	4P	13	504	102.99	11	1.55	15	455	92.97	12	1.70	17	400	81.80					12	1.95	18	378	77.24	12	2.00	21	322	65.77	12	2.40	24	282	57.68	12	2.70	27			255					52.07	12	3.00	30	224	45.81	12	3.50	32	212	43.26			12	3.70	11	631			128.97	3.8	0.90	GR69 GRF69	4P	12	558	113.94	7.3	1.00	13	518	105.83	7.7	1.10	14	470	95.91	8.2	1.20	16	422	86.11	8.6	1.35	19	363	74.17	9.0	1.55	20	341	69.75	9.1			1.65			23	300			61.26	9.3	1.90	24	278			56.89	9.4			2.00	27	252	51.56	10	2.20	30	227	46.29	10	2.50	13	522	106.58	4.4	0.80	GR59 GRF59	4P	14	485	98.99	5.9	0.90	15	439	89.71	6.7	0.95	17	394	80.55	6.9	1.10	20	339	69.23	7.1	1.25	21	317	64.85	7.1	1.35	24	280					57.29	6.9	1.50	26	261				53.22	6.7				1.65	29	236	48.23	6.6	1.80	32	212	43.30	6.4	2.00	37	183	37.30	6.2	2.30	40	172	35.07	6.1	2.50	46	148	30.18	5.8	2.90	52	132	26.97	5.6	3.20	53	129	26.31	5.6	3.30	56	122	24.99	5.5	3.50	63	107	21.93	5.3	4.00	75	91	18.60	5.1	4.70	26	258	52.69	5.2	1.10	GR49 GRF49	4P	29	234	47.75	5.1	1.20	38	181	36.93	4.8	1.55	40	170	34.73	4.7	1.65	47	146	29.88	4.6	1.95	52	131	26.70	4.4	2.20	61	112			22.81	4.3	2.50	52	131	26.74	4.4	2.20	GR39 GRF39			4P	60	114	23.28	4.3	2.50	64	107	21.81	4.2	2.70	72	94	19.27	4.1	3.00	78	88	17.89	4.0	3.10	86	79	16.22	3.9	3.30	29	228			48.08	2.2	0.80	GR39 GRF39	4P	31	212	44.81	4.0	0.85	35			186	39.17	4.5	1.00	38	174	36.72	4.5	1.05	43	154	32.40	4.4	1.20	48	136	28.73	4.3	1.35	57	116			24.42	4.1	1.60	62	106	22.27	4.0	1.75	72	92	19.31	3.9	2.00			77	86	18.05	3.8	2.10	89	74	15.60	3.7	2.50	105	63	13.25	3.5	2.80	117	56	11.83	3.4	3.00	137	48	10.11	3.2	3.20	147	45	9.47	3.2	3.40	48	136	28.78	2.7	0.85	GR29 GRF29	4P	57	116	24.47	2.7	1.00	62	106	22.32	2.6	1.10	72	92	19.35	2.5	1.30	77	86	18.08	2.5	1.40	89	74	15.63	2.4	1.60	105	63			13.28	2.3	1.90	117	56	11.86	2.3	2.10	137	48	10.13	2.2	2.30	148	45			9.41	2.1	2.50	170	39	8.16	2.0	2.70	182	36	7.63	2.0	2.80	211	31	6.59	1.9	3.10	248	27	5.60	1.8	3.40	278	24	5.00	1.8	3.70	71	93	19.71	0.4	0.85	82	81	16.99	1.3	0.95	88	75	15.84	1.3	1.05	100	66	13.84	1.3	1.20	107	62	12.98	1.3	1.25	121	54	11.45	1.3	1.35	137	48	10.15	1.3	1.45	161	41	8.63	1.2	1.60	184	36	7.55	1.1	1.45	197	33	7.04	1.1	1.50	226	29	6.15	1.1	1.70	241	27	5.76	1.1	1.75	273	24	5.09	1.1	1.95	308	21	4.51	1.0	2.00	363	18	3.83	1.0	2.30																										
6.7	1011	206.60	19	1.45			7.6	894	182.55	19	1.65	8.9	764	156.01	19	1.90	9.7	700	143.03	19	2.10	11			614	125.51	19			2.40	12	582	118.94	19			2.50	13	510	104.10	19	2.90	15	459	93.78	19	3.20	8.3	815			166.59	9.0	0.95	GR79 GRF79	4P	52	131	26.74	4.4	2.20			GR39 GRF39	4P	9.5	713	145.67			10	1.10	10	677	138.39	10	1.15	11	594	121.42	11	1.30	GR79 GRF79	4P	13			504	102.99	11	1.55	15	455	92.97	12	1.70	17	400	81.80	12		1.95	18		378	77.24	12	2.00	21	322	65.77	12	2.40	24	282	57.68	12	2.70	27	255	52.07	12			3.00					30	224	45.81	12	3.50	32	212	43.26	12	3.70	11			631	128.97	3.8	0.90	GR69 GRF69	4P	12	558	113.94			7.3	1.00	13	518	105.83	7.7	1.10	14	470	95.91	8.2	1.20	16	422	86.11	8.6	1.35	19	363	74.17	9.0	1.55	20	341	69.75	9.1	1.65	23	300			61.26			9.3	1.90			24	278	56.89	9.4	2.00			27	252	51.56	10	2.20	30	227	46.29	10	2.50	13	522	106.58	4.4	0.80	GR59 GRF59	4P	14	485	98.99			5.9	0.90	15	439	89.71	6.7	0.95	17	394	80.55	6.9	1.10	20	339	69.23	7.1	1.25	21	317	64.85	7.1	1.35	24	280	57.29	6.9	1.50					26	261	53.22	6.7	1.65				29	236	48.23	6.6		1.80	32	212	43.30	6.4	2.00	37	183	37.30	6.2	2.30	40	172	35.07	6.1	2.50	46	148	30.18	5.8	2.90	52	132	26.97	5.6	3.20	53	129	26.31	5.6	3.30	56	122	24.99	5.5	3.50	63	107	21.93	5.3	4.00	75	91	18.60	5.1	4.70	26	258	52.69	5.2	1.10	GR49 GRF49	4P	29	234	47.75			5.1	1.20	38	181	36.93	4.8	1.55	40	170	34.73	4.7	1.65	47	146	29.88	4.6	1.95	52	131	26.70	4.4	2.20	61	112	22.81	4.3	2.50	52	131	26.74	4.4	2.20	GR39 GRF39	4P	60	114	23.28					4.3	2.50	64	107	21.81	4.2	2.70	72	94	19.27	4.1	3.00	78	88	17.89	4.0	3.10	86	79	16.22	3.9	3.30	29	228	48.08	2.2	0.80	GR39 GRF39	4P	31	212	44.81			4.0	0.85	35	186	39.17	4.5			1.00	38	174	36.72	4.5	1.05	43	154	32.40	4.4	1.20	48	136	28.73	4.3	1.35	57	116	24.42	4.1	1.60	62	106	22.27	4.0	1.75	72	92	19.31	3.9	2.00	77	86	18.05	3.8	2.10			89	74	15.60	3.7	2.50	105	63	13.25	3.5	2.80	117	56	11.83	3.4	3.00	137	48	10.11	3.2	3.20	147	45	9.47	3.2	3.40	48	136	28.78	2.7	0.85	GR29 GRF29	4P	57	116	24.47			2.7	1.00	62	106	22.32	2.6	1.10	72	92	19.35	2.5	1.30	77	86	18.08	2.5	1.40	89	74	15.63	2.4	1.60	105	63	13.28	2.3	1.90	117	56	11.86	2.3	2.10	137	48	10.13	2.2	2.30	148	45	9.41	2.1	2.50	170	39			8.16	2.0	2.70	182	36	7.63	2.0	2.80	211	31	6.59	1.9	3.10	248	27	5.60	1.8	3.40	278	24	5.00	1.8	3.70	71	93	19.71	0.4	0.85	82	81	16.99	1.3	0.95	88	75	15.84	1.3	1.05	100	66	13.84	1.3	1.20	107	62	12.98	1.3	1.25	121	54	11.45	1.3	1.35	137	48	10.15	1.3	1.45	161	41	8.63	1.2	1.60	184	36	7.55	1.1	1.45	197	33	7.04	1.1	1.50	226	29	6.15	1.1	1.70	241	27	5.76	1.1	1.75	273	24	5.09	1.1	1.95	308	21	4.51	1.0	2.00	363	18	3.83	1.0	2.30																															
7.6	894	182.55	19	1.65			8.9	764	156.01	19	1.90	9.7	700	143.03	19	2.10	11	614	125.51	19	2.40	12			582	118.94	19			2.50	13	510	104.10	19			2.90	15	459	93.78	19	3.20	8.3	815	166.59	9.0	0.95	GR79 GRF79	4P			52	131	26.74			4.4	2.20	GR39 GRF39	4P	9.5					713	145.67	10			1.10	10	677	138.39	10	1.15	11	594	121.42	11	1.30	GR79 GRF79			4P			13	504	102.99	11	1.55	15	455	92.97	12	1.70	17	400	81.80	12	1.95	18	378	77.24	12	2.00	21	322	65.77	12	2.40	24	282	57.68	12	2.70	27	255	52.07	12	3.00			30					224	45.81	12	3.50	32	212	43.26	12	3.70	11	631			128.97	3.8	0.90	GR69 GRF69			4P	12	558			113.94	7.3	1.00	13	518	105.83	7.7	1.10	14	470	95.91	8.2	1.20	16	422	86.11	8.6	1.35	19	363	74.17	9.0	1.55	20	341	69.75	9.1	1.65	23			300			61.26	9.3			1.90	24	278	56.89	9.4			2.00	27	252	51.56	10	2.20	30	227	46.29	10	2.50	13	522	106.58	4.4			0.80	GR59 GRF59	4P			14	485	98.99	5.9	0.90	15	439	89.71	6.7	0.95	17	394	80.55	6.9	1.10	20	339	69.23	7.1	1.25	21	317	64.85	7.1	1.35	24	280					57.29	6.9	1.50	26	261				53.22	6.7	1.65	29		236	48.23	6.6	1.80	32	212	43.30	6.4	2.00	37	183	37.30	6.2	2.30	40	172	35.07	6.1	2.50	46	148	30.18	5.8	2.90	52	132	26.97	5.6	3.20	53	129	26.31	5.6	3.30	56	122	24.99	5.5	3.50	63	107	21.93	5.3	4.00	75	91	18.60	5.1	4.70	26	258			52.69	5.2	1.10			GR49 GRF49	4P	29	234	47.75	5.1	1.20	38	181	36.93	4.8	1.55	40	170	34.73	4.7	1.65	47	146	29.88	4.6	1.95	52	131	26.70	4.4	2.20	61	112	22.81	4.3	2.50			52	131	26.74		4.4	2.20		GR39 GRF39	4P	60	114	23.28	4.3	2.50	64	107	21.81	4.2	2.70	72	94	19.27	4.1	3.00	78	88	17.89	4.0	3.10	86	79	16.22	3.9	3.30			29	228	48.08			2.2	0.80	GR39 GRF39	4P	31	212	44.81	4.0	0.85	35	186	39.17	4.5	1.00	38	174	36.72	4.5	1.05	43	154	32.40	4.4	1.20	48	136	28.73	4.3	1.35	57	116	24.42	4.1	1.60	62	106	22.27	4.0	1.75	72	92	19.31	3.9	2.00	77	86	18.05	3.8	2.10	89	74	15.60	3.7	2.50	105	63	13.25	3.5	2.80	117	56	11.83	3.4	3.00	137	48	10.11	3.2	3.20	147	45	9.47	3.2	3.40	48	136			28.78	2.7	0.85			GR29 GRF29	4P	57	116	24.47	2.7	1.00	62	106	22.32	2.6	1.10	72	92	19.35	2.5	1.30	77	86	18.08	2.5	1.40	89	74	15.63	2.4	1.60	105	63	13.28	2.3	1.90	117	56	11.86	2.3	2.10	137	48	10.13	2.2	2.30	148	45	9.41	2.1	2.50	170	39	8.16	2.0	2.70	182	36	7.63	2.0	2.80	211	31	6.59	1.9	3.10	248	27	5.60	1.8	3.40	278	24	5.00	1.8	3.70	71	93	19.71	0.4	0.85	82	81	16.99	1.3	0.95	88	75	15.84	1.3	1.05	100	66	13.84	1.3	1.20	107	62	12.98	1.3	1.25	121	54	11.45	1.3	1.35	137	48	10.15	1.3	1.45	161	41	8.63	1.2	1.60	184	36	7.55	1.1	1.45	197	33	7.04	1.1	1.50	226	29	6.15	1.1	1.70	241	27	5.76	1.1	1.75	273	24	5.09	1.1	1.95	308	21	4.51	1.0	2.00	363	18	3.83	1.0	2.30																												
8.9	764	156.01	19	1.90			9.7	700	143.03	19	2.10	11	614	125.51	19	2.40	12	582	118.94	19	2.50	13			510	104.10	19			2.90	15	459	93.78	19			3.20	8.3	815	166.59	9.0	0.95	GR79 GRF79	4P	52	131	26.74			4.4	2.20	GR39 GRF39	4P	9.5			713	145.67			10	1.10	10			677	138.39	10			1.15	11	594	121.42	11	1.30	GR79 GRF79	4P	13	504	102.99							11	1.55	15	455	92.97	12	1.70	17	400	81.80	12	1.95	18	378	77.24	12	2.00	21	322	65.77	12	2.40	24	282	57.68	12	2.70	27	255	52.07	12	3.00	30	224	45.81			12					3.50	32	212	43.26	12	3.70	11	631	128.97	3.8	0.90	GR69 GRF69	4P	12	558	113.94					7.3	1.00			13	518	105.83	7.7	1.10	14	470	95.91	8.2	1.20	16	422	86.11	8.6	1.35	19	363	74.17	9.0	1.55	20	341	69.75	9.1	1.65	23	300	61.26	9.3			1.90			24	278			56.89	9.4	2.00	27	252	51.56	10	2.20	30	227	46.29	10	2.50	13	522	106.58	4.4	0.80	GR59 GRF59	4P	14	485			98.99					5.9	0.90	15	439	89.71	6.7	0.95	17	394	80.55	6.9	1.10	20	339	69.23	7.1	1.25	21	317	64.85	7.1	1.35	24	280	57.29	6.9	1.50					26	261	53.22	6.7	1.65		29	236	48.23	6.6	1.80	32		212	43.30	6.4	2.00	37	183	37.30	6.2	2.30	40	172	35.07	6.1	2.50	46	148	30.18	5.8	2.90	52	132	26.97	5.6	3.20	53	129	26.31	5.6	3.30	56	122	24.99	5.5	3.50	63	107	21.93	5.3	4.00	75	91	18.60	5.1	4.70	26	258	52.69	5.2	1.10	GR49 GRF49	4P			29	234	47.75					5.1	1.20	38	181	36.93	4.8	1.55	40	170	34.73	4.7	1.65	47	146	29.88	4.6	1.95	52	131	26.70	4.4	2.20	61	112	22.81	4.3	2.50	52	131	26.74			4.4	2.20	GR39 GRF39		4P	60				114	23.28	4.3	2.50	64	107	21.81	4.2	2.70	72	94	19.27	4.1	3.00	78	88	17.89	4.0	3.10	86	79	16.22	3.9	3.30	29			228	48.08	2.2			0.80	GR39 GRF39			4P	31	212	44.81	4.0	0.85	35	186	39.17	4.5	1.00	38	174	36.72	4.5	1.05	43	154	32.40	4.4	1.20	48	136	28.73	4.3	1.35	57	116	24.42	4.1	1.60	62	106	22.27	4.0	1.75	72	92	19.31	3.9	2.00	77	86	18.05	3.8	2.10	89	74	15.60	3.7	2.50	105	63	13.25	3.5	2.80	117	56	11.83	3.4	3.00	137	48	10.11	3.2	3.20	147	45	9.47	3.2	3.40	48			136	28.78	2.7					0.85	GR29 GRF29	4P	57	116	24.47	2.7	1.00	62	106	22.32	2.6	1.10	72	92	19.35	2.5	1.30	77	86	18.08	2.5	1.40	89	74	15.63	2.4	1.60	105	63	13.28	2.3	1.90	117	56	11.86	2.3	2.10	137	48	10.13	2.2	2.30	148	45	9.41	2.1	2.50	170	39	8.16	2.0	2.70	182	36	7.63	2.0	2.80	211	31	6.59	1.9	3.10	248	27	5.60	1.8	3.40	278	24	5.00	1.8	3.70	71	93	19.71	0.4	0.85	82	81	16.99	1.3	0.95	88	75	15.84	1.3	1.05	100	66	13.84	1.3	1.20	107	62	12.98	1.3	1.25	121	54	11.45	1.3	1.35	137	48	10.15	1.3	1.45	161	41	8.63	1.2	1.60	184	36	7.55	1.1	1.45	197	33	7.04	1.1	1.50	226	29	6.15	1.1	1.70	241	27	5.76	1.1	1.75	273	24	5.09	1.1	1.95	308	21	4.51	1.0	2.00	363	18	3.83	1.0	2.30																									
9.7	700	143.03	19	2.10			11	614	125.51	19	2.40	12	582	118.94	19	2.50	13	510	104.10	19	2.90	15			459	93.78	19			3.20	8.3	815	166.59	9.0			0.95	GR79 GRF79	4P	52	131	26.74			4.4	2.20	GR39 GRF39			4P	9.5			713	145.67	10	1.10	10			677	138.39	10			1.15	11	594			121.42	11	1.30	GR79 GRF79	4P	13			504	102.99	11							1.55	15	455	92.97	12	1.70	17	400	81.80	12	1.95	18	378	77.24	12	2.00	21	322	65.77	12	2.40	24	282	57.68	12	2.70	27	255	52.07	12	3.00	30	224	45.81	12			3.50					32	212	43.26	12	3.70	11	631	128.97	3.8	0.90	GR69 GRF69			4P	12	558					113.94	7.3			1.00	13	518	105.83	7.7	1.10	14	470	95.91	8.2	1.20	16	422	86.11	8.6	1.35	19	363	74.17	9.0	1.55	20	341	69.75	9.1	1.65	23	300	61.26			9.3			1.90	24			278	56.89	9.4	2.00	27	252	51.56	10	2.20	30	227	46.29	10	2.50	13	522	106.58	4.4			0.80	GR59 GRF59			4P					14	485	98.99	5.9	0.90	15	439	89.71	6.7	0.95	17	394	80.55	6.9	1.10	20	339	69.23	7.1	1.25	21	317	64.85	7.1	1.35	24	280					57.29	6.9	1.50	26	261		53.22	6.7	1.65	29	236	48.23		6.6	1.80	32	212	43.30	6.4	2.00	37	183	37.30	6.2	2.30	40	172	35.07	6.1	2.50	46	148	30.18	5.8	2.90	52	132	26.97	5.6	3.20	53	129	26.31	5.6	3.30	56	122	24.99	5.5	3.50	63	107	21.93	5.3	4.00	75	91	18.60	5.1	4.70	26	258					52.69	5.2	1.10					GR49 GRF49	4P	29	234	47.75	5.1	1.20	38	181	36.93	4.8	1.55	40	170	34.73	4.7	1.65	47	146	29.88	4.6	1.95	52	131	26.70	4.4	2.20	61	112	22.81			4.3	2.50				52				131	26.74	4.4	2.20	GR39 GRF39	4P	60	114	23.28	4.3	2.50	64	107	21.81	4.2	2.70	72	94	19.27	4.1	3.00	78	88	17.89	4.0			3.10	86	79			16.22					3.9	3.30	29	228	48.08	2.2	0.80	GR39 GRF39	4P	31	212	44.81	4.0	0.85	35	186	39.17	4.5	1.00	38	174	36.72	4.5	1.05	43	154	32.40	4.4	1.20	48	136	28.73	4.3	1.35	57	116	24.42	4.1	1.60	62	106	22.27	4.0	1.75	72	92	19.31	3.9	2.00	77	86	18.05	3.8	2.10	89	74	15.60	3.7	2.50	105	63	13.25	3.5	2.80	117	56	11.83	3.4	3.00	137	48			10.11	3.2	3.20					147			45	9.47	3.2	3.40	48	136	28.78	2.7	0.85	GR29 GRF29	4P	57	116	24.47	2.7	1.00	62	106	22.32	2.6	1.10	72	92	19.35	2.5	1.30	77	86	18.08	2.5	1.40	89	74	15.63	2.4	1.60	105	63	13.28	2.3	1.90	117	56	11.86	2.3	2.10	137	48	10.13	2.2	2.30	148	45	9.41	2.1	2.50	170	39	8.16	2.0	2.70	182	36	7.63	2.0	2.80	211	31	6.59	1.9	3.10	248	27	5.60	1.8	3.40	278	24	5.00	1.8	3.70	71	93	19.71	0.4	0.85	82	81	16.99	1.3	0.95	88	75	15.84	1.3	1.05	100	66	13.84	1.3	1.20	107	62	12.98	1.3	1.25	121	54	11.45	1.3	1.35	137	48	10.15	1.3	1.45	161	41	8.63	1.2	1.60	184	36	7.55	1.1	1.45	197	33	7.04	1.1	1.50	226	29	6.15	1.1	1.70	241	27	5.76	1.1	1.75	273	24	5.09	1.1	1.95	308	21	4.51	1.0	2.00	363	18	3.83	1.0	2.30														
11	614	125.51	19	2.40			12	582	118.94	19	2.50	13	510	104.10	19	2.90	15	459	93.78	19	3.20	8.3			815	166.59	9.0			0.95	GR79 GRF79	4P	52	131	26.74	4.4	2.20			GR39 GRF39	4P	9.5			713	145.67		10	1.10		10			677	138.39	10	1.15	11			594	121.42	11			1.30	GR79 GRF79	4P	13	504	102.99	11	1.55			15			455	92.97	12							1.70	17	400	81.80	12	1.95	18	378	77.24	12	2.00	21	322	65.77	12	2.40	24	282	57.68	12	2.70	27	255	52.07	12	3.00	30	224	45.81	12	3.50	32	212	43.26	12			3.70		11	631		128.97	3.8	0.90	GR69 GRF69	4P	12	558	113.94	7.3	1.00					13	518					105.83	7.7			1.10	14	470	95.91	8.2	1.20	16	422	86.11	8.6	1.35	19	363	74.17	9.0	1.55	20	341	69.75	9.1	1.65	23	300	61.26	9.3	1.90	24	278	56.89			9.4	2.00	27	252	51.56			10	2.20	30	227	46.29	10	2.50	13	522	106.58	4.4	0.80	GR59 GRF59	4P	14	485	98.99	5.9			0.90									15	439	89.71	6.7	0.95	17	394	80.55	6.9	1.10	20	339	69.23	7.1	1.25	21	317	64.85	7.1	1.35	24	280	57.29	6.9	1.50	26	261		53.22	6.7		1.65	29	236	48.23	6.6		1.80	32	212	43.30	6.4	2.00		37	183	37.30	6.2	2.30	40	172	35.07	6.1	2.50	46	148	30.18	5.8	2.90	52	132	26.97	5.6	3.20	53	129	26.31	5.6	3.30	56	122	24.99	5.5	3.50	63	107	21.93	5.3	4.00	75	91	18.60	5.1	4.70	26	258	52.69	5.2	1.10	GR49 GRF49	4P	29	234					47.75	5.1	1.20	38	181					36.93	4.8	1.55	40	170	34.73	4.7	1.65	47	146	29.88	4.6	1.95	52	131	26.70	4.4	2.20	61	112	22.81	4.3	2.50	52	131	26.74	4.4	2.20			GR39 GRF39	4P		60		114	23.28			4.3	2.50	64	107			21.81	4.2	2.70	72	94	19.27	4.1	3.00	78	88	17.89	4.0	3.10	86	79	16.22	3.9	3.30	29			228	48.08	2.2	0.80	GR39 GRF39	4P					31	212	44.81	4.0	0.85	35	186			39.17	4.5	1.00	38	174	36.72	4.5	1.05	43	154	32.40	4.4	1.20	48	136	28.73	4.3	1.35	57	116	24.42	4.1	1.60	62	106	22.27	4.0	1.75	72	92	19.31	3.9	2.00	77	86	18.05	3.8	2.10	89	74	15.60	3.7	2.50	105	63	13.25	3.5	2.80	117	56	11.83	3.4	3.00	137	48	10.11	3.2	3.20	147	45	9.47	3.2			3.40	48	136	28.78	2.7			0.85			GR29 GRF29	4P	57	116	24.47	2.7	1.00	62	106			22.32	2.6	1.10	72	92	19.35	2.5	1.30	77	86	18.08	2.5	1.40	89	74	15.63	2.4	1.60	105	63	13.28	2.3	1.90	117	56	11.86	2.3	2.10	137	48	10.13	2.2	2.30	148	45	9.41	2.1	2.50	170	39	8.16	2.0	2.70	182	36	7.63	2.0	2.80	211	31	6.59	1.9	3.10	248	27	5.60	1.8	3.40	278	24	5.00	1.8	3.70	71	93	19.71	0.4	0.85	82	81	16.99	1.3	0.95	88	75	15.84	1.3	1.05	100	66	13.84	1.3	1.20	107	62	12.98	1.3	1.25	121	54	11.45	1.3	1.35	137	48	10.15	1.3	1.45	161	41	8.63	1.2	1.60	184	36	7.55	1.1	1.45	197	33	7.04	1.1	1.50	226	29	6.15	1.1	1.70	241	27	5.76	1.1	1.75	273	24	5.09	1.1	1.95	308	21	4.51	1.0	2.00	363	18	3.83	1.0	2.30																					
12	582	118.94	19	2.50			13	510	104.10	19	2.90	15	459	93.78	19	3.20	8.3	815	166.59	9.0	0.95	GR79 GRF79			4P	52	131	26.74	4.4	2.20			GR39 GRF39	4P	9.5	713	145.67					10	1.10	10	677	138.39		10	1.15		11			594	121.42	11	1.30	GR79 GRF79			4P	13	504	102.99	11	1.55			15	455	92.97	12	1.70			17			400	81.80	12							1.95	18	378	77.24	12	2.00	21	322	65.77	12	2.40	24	282	57.68	12	2.70	27	255	52.07	12	3.00	30	224	45.81	12	3.50	32	212	43.26	12	3.70	11	631	128.97	3.8	0.90	GR69 GRF69	4P		12	558		113.94	7.3	1.00			13	518	105.83	7.7	1.10					14	470					95.91	8.2			1.20	16	422	86.11	8.6	1.35	19	363	74.17	9.0	1.55	20	341	69.75	9.1	1.65	23	300	61.26	9.3	1.90	24	278	56.89	9.4	2.00	27	252	51.56	10	2.20	30	227	46.29	10	2.50			13	522	106.58	4.4	0.80	GR59 GRF59	4P	14	485	98.99	5.9	0.90			15	439	89.71	6.7			0.95									17	394	80.55	6.9	1.10	20	339	69.23	7.1	1.25	21	317	64.85	7.1	1.35	24	280	57.29	6.9	1.50	26	261	53.22	6.7	1.65	29	236	48.23	6.6	1.80	32	212	43.30	6.4	2.00	37		183	37.30	6.2	2.30	40	172		35.07	6.1	2.50	46	148	30.18	5.8	2.90	52	132	26.97	5.6	3.20	53	129	26.31	5.6	3.30	56	122	24.99	5.5	3.50	63	107	21.93	5.3	4.00	75	91	18.60	5.1	4.70	26	258	52.69	5.2	1.10	GR49 GRF49	4P	29	234	47.75	5.1	1.20			38	181			36.93	4.8	1.55	40	170	34.73	4.7					1.65	47	146	29.88	4.6	1.95	52	131	26.70	4.4	2.20	61	112	22.81	4.3	2.50	52	131	26.74	4.4	2.20	GR39 GRF39	4P	60	114	23.28	4.3	2.50	64	107				21.81		4.2	2.70			72	94	19.27	4.1			3.00	78	88	17.89	4.0	3.10	86	79	16.22	3.9	3.30	29	228	48.08	2.2	0.80	GR39 GRF39	4P	31	212	44.81	4.0	0.85	35	186							39.17	4.5	1.00	38	174	36.72	4.5			1.05	43	154	32.40	4.4	1.20	48	136	28.73	4.3	1.35	57	116	24.42	4.1	1.60	62	106	22.27	4.0	1.75	72	92	19.31	3.9	2.00	77	86	18.05	3.8	2.10	89	74	15.60	3.7	2.50	105	63	13.25	3.5	2.80	117	56	11.83	3.4	3.00	137	48	10.11	3.2	3.20	147	45	9.47	3.2	3.40	48	136	28.78	2.7	0.85	GR29 GRF29	4P	57	116	24.47	2.7	1.00	62			106					22.32	2.6	1.10	72	92	19.35	2.5			1.30	77	86	18.08	2.5	1.40	89	74	15.63	2.4	1.60	105	63	13.28	2.3	1.90	117	56	11.86	2.3	2.10	137	48	10.13	2.2	2.30	148	45	9.41	2.1	2.50	170	39	8.16	2.0	2.70	182	36	7.63	2.0	2.80	211	31	6.59	1.9	3.10	248	27	5.60	1.8	3.40	278	24	5.00	1.8	3.70	71	93	19.71	0.4	0.85	82	81	16.99	1.3	0.95	88	75	15.84	1.3	1.05	100	66	13.84	1.3	1.20	107	62	12.98	1.3	1.25	121	54	11.45	1.3	1.35	137	48	10.15	1.3	1.45	161	41	8.63	1.2	1.60	184	36	7.55	1.1	1.45	197	33	7.04	1.1	1.50	226	29	6.15	1.1	1.70	241	27	5.76	1.1	1.75	273	24	5.09	1.1	1.95	308	21	4.51	1.0	2.00	363	18	3.83	1.0	2.30																												
13	510	104.10	19	2.90			15	459	93.78	19	3.20	8.3	815	166.59	9.0	0.95	GR79 GRF79	4P	52	131	26.74		4.4	2.20		GR39 GRF39	4P	9.5	713	145.67					10	1.10	10	677	138.39			10	1.15	11	594	121.42		11	1.30		GR79 GRF79			4P	13	504	102.99		11	1.55		15	455	92.97	12	1.70			17	400	81.80	12	1.95			18			378	77.24	12							2.00	21	322	65.77	12	2.40	24	282	57.68	12	2.70	27	255	52.07	12	3.00	30	224	45.81	12	3.50	32	212	43.26	12	3.70	11	631	128.97	3.8	0.90	GR69 GRF69	4P	12	558	113.94			7.3	1.00	13	518	105.83	7.7	1.10			14	470	95.91	8.2	1.20					16	422					86.11	8.6			1.35	19	363	74.17	9.0	1.55	20	341	69.75	9.1	1.65	23	300	61.26	9.3	1.90	24	278	56.89	9.4	2.00	27	252	51.56	10	2.20	30	227	46.29	10	2.50	13	522	106.58	4.4	0.80	GR59 GRF59	4P	14	485	98.99	5.9	0.90			15	439	89.71	6.7	0.95			17	394	80.55	6.9			1.10									20	339	69.23	7.1	1.25	21	317	64.85	7.1	1.35	24	280	57.29	6.9	1.50	26	261	53.22	6.7	1.65	29	236	48.23	6.6	1.80	32	212	43.30	6.4	2.00	37	183	37.30	6.2	2.30	40	172	35.07	6.1	2.50	46	148	30.18	5.8	2.90	52	132	26.97	5.6	3.20	53	129	26.31	5.6	3.30	56	122	24.99	5.5	3.50	63	107	21.93	5.3	4.00	75	91	18.60	5.1	4.70	26	258	52.69	5.2	1.10	GR49 GRF49	4P	29	234	47.75	5.1	1.20			38	181	36.93	4.8	1.55			40	170			34.73	4.7	1.65	47	146	29.88	4.6	1.95	52			131	26.70	4.4	2.20	61	112	22.81	4.3	2.50	52	131	26.74	4.4	2.20	GR39 GRF39	4P	60	114	23.28	4.3	2.50			64	107	21.81	4.2	2.70	72	94				19.27		4.1	3.00	78	88	17.89	4.0	3.10	86			79	16.22	3.9	3.30	29	228	48.08	2.2	0.80	GR39 GRF39	4P	31	212	44.81	4.0	0.85			35	186	39.17	4.5	1.00	38	174				36.72	4.5		1.05	43	154	32.40	4.4	1.20	48			136	28.73	4.3	1.35	57	116	24.42	4.1	1.60	62	106	22.27	4.0	1.75	72	92	19.31	3.9	2.00	77	86	18.05	3.8	2.10	89	74	15.60	3.7	2.50	105	63	13.25	3.5	2.80	117	56	11.83	3.4	3.00	137	48	10.11	3.2	3.20	147	45	9.47	3.2	3.40	48	136	28.78	2.7	0.85	GR29 GRF29	4P	57	116	24.47	2.7	1.00			62	106	22.32	2.6	1.10	72	92	19.35	2.5					1.30	77	86	18.08	2.5	1.40	89			74	15.63	2.4	1.60	105	63	13.28	2.3	1.90	117	56	11.86	2.3	2.10	137	48	10.13	2.2	2.30	148	45	9.41	2.1	2.50	170	39	8.16	2.0	2.70	182	36	7.63	2.0	2.80	211	31	6.59	1.9	3.10	248	27	5.60	1.8	3.40	278	24	5.00	1.8	3.70	71	93	19.71	0.4	0.85	82	81	16.99	1.3	0.95	88	75	15.84	1.3	1.05	100	66	13.84	1.3	1.20	107	62	12.98	1.3	1.25	121	54	11.45	1.3	1.35	137	48	10.15	1.3	1.45	161	41	8.63	1.2	1.60	184	36	7.55	1.1	1.45	197	33	7.04	1.1	1.50	226	29	6.15	1.1	1.70	241	27	5.76	1.1	1.75	273	24	5.09	1.1	1.95	308	21	4.51	1.0	2.00	363	18	3.83	1.0	2.30																																			
15	459	93.78	19	3.20																																																																																																																																																																																																																																																																																																																																																																																																																																																																																																																																																																																																																																																																											
8.3	815	166.59	9.0	0.95	GR79 GRF79	4P	52	131	26.74	4.4	2.20	GR39 GRF39	4P																																																																																																																																																																																																																																																																																																																																																																																																																																																																																																																																																																																																																																																																		
9.5	713	145.67	10	1.10			10	677	138.39	10	1.15			11	594	121.42	11	1.30	GR79 GRF79	4P	13	504	102.99	11	1.55			15	455	92.97	12	1.70			17	400	81.80	12	1.95	18	378	77.24	12	2.00	21	322	65.77	12	2.40	24		282	57.68		12	2.70	27		255	52.07		12	3.00	30	224	45.81			12	3.50	32	212	43.26			12			3.70	11	631					128.97	3.8	0.90	GR69 GRF69	4P	12	558	113.94	7.3	1.00	13	518	105.83	7.7	1.10	14	470	95.91	8.2	1.20	16	422	86.11	8.6	1.35	19	363	74.17	9.0	1.55	20	341	69.75			9.1	1.65	23			300	61.26	9.3	1.90	24	278	56.89			9.4	2.00	27	252	51.56					10	2.20					30	227	46.29	10	2.50	13	522	106.58	4.4	0.80	GR59 GRF59	4P	14	485	98.99	5.9	0.90	15	439	89.71	6.7	0.95	17	394	80.55	6.9	1.10	20	339	69.23	7.1	1.25	21	317	64.85	7.1	1.35	24	280	57.29			6.9	1.50	26	261	53.22			6.7	1.65	29	236	48.23			6.6	1.80	32	212			43.30							6.4	2.00	37	183	37.30	6.2	2.30	40	172	35.07	6.1	2.50	46	148	30.18	5.8	2.90	52	132	26.97	5.6	3.20	53	129	26.31	5.6	3.30	56	122	24.99	5.5	3.50	63	107	21.93	5.3	4.00	75	91	18.60	5.1	4.70	26	258	52.69	5.2	1.10	GR49 GRF49	4P	29	234	47.75	5.1	1.20	38	181	36.93	4.8	1.55	40	170	34.73	4.7	1.65	47	146	29.88	4.6	1.95	52	131	26.70	4.4	2.20	61	112	22.81			4.3	2.50	52	131	26.74			4.4	2.20	GR39 GRF39	4P	60	114	23.28	4.3	2.50	64	107	21.81	4.2	2.70	72	94	19.27	4.1	3.00	78	88	17.89	4.0	3.10	86	79	16.22	3.9	3.30	29	228	48.08	2.2	0.80	GR39 GRF39	4P			31	212	44.81	4.0	0.85			35	186	39.17	4.5	1.00	38	174	36.72	4.5	1.05	43	154	32.40	4.4	1.20	48	136	28.73	4.3	1.35	57	116	24.42	4.1	1.60	62	106	22.27	4.0	1.75	72			92	19.31	3.9	2.00	77			86	18.05	3.8	2.10	89	74	15.60	3.7	2.50	105	63	13.25	3.5	2.80	117	56	11.83	3.4	3.00	137	48	10.11	3.2	3.20	147	45	9.47	3.2	3.40	48	136	28.78	2.7	0.85	GR29 GRF29	4P	57	116	24.47	2.7	1.00	62	106	22.32	2.6	1.10	72	92	19.35	2.5	1.30	77	86	18.08	2.5	1.40	89	74	15.63	2.4	1.60	105	63	13.28	2.3	1.90	117	56	11.86	2.3	2.10	137	48	10.13	2.2	2.30			148	45	9.41	2.1	2.50			170	39	8.16	2.0	2.70	182	36	7.63	2.0	2.80	211	31	6.59	1.9	3.10	248	27	5.60	1.8	3.40	278	24	5.00	1.8	3.70	71	93	19.71	0.4	0.85	82	81	16.99	1.3	0.95	88	75	15.84	1.3	1.05	100	66	13.84	1.3	1.20	107	62	12.98	1.3	1.25	121	54	11.45	1.3	1.35	137	48	10.15	1.3	1.45	161	41	8.63	1.2	1.60	184	36	7.55	1.1	1.45	197	33	7.04	1.1	1.50	226	29	6.15	1.1	1.70	241	27	5.76	1.1	1.75	273	24	5.09	1.1	1.95	308	21	4.51	1.0	2.00	363	18	3.83	1.0	2.30																																																																																	
10	677	138.39	10	1.15																																																																																																																																																																																																																																																																																																																																																																																																																																																																																																																																																																																																																																																																											
11	594	121.42	11	1.30	GR79 GRF79	4P	13	504	102.99	11	1.55			15	455	92.97	12	1.70			17	400	81.80	12	1.95	18	378	77.24	12	2.00	21	322	65.77	12	2.40	24	282	57.68	12	2.70	27	255	52.07	12	3.00	30	224	45.81	12	3.50		32	212		43.26	12	3.70		11	631		128.97	3.8	0.90	GR69 GRF69	4P			12	558	113.94	7.3	1.00			13			518	105.83	7.7	1.10	14	470	95.91	8.2	1.20	16			422	86.11	8.6	1.35	19	363	74.17	9.0	1.55	20	341	69.75	9.1	1.65	23	300	61.26	9.3	1.90	24	278	56.89	9.4	2.00	27	252	51.56	10			2.20	30	227			46.29	10	2.50	13	522	106.58	4.4			0.80	GR59 GRF59	4P	14	485					98.99	5.9	0.90	15	439	89.71	6.7	0.95	17	394	80.55	6.9	1.10	20	339	69.23			7.1	1.25	21	317	64.85	7.1	1.35	24	280	57.29	6.9	1.50	26	261	53.22	6.7	1.65	29	236	48.23	6.6	1.80	32	212	43.30	6.4	2.00	37			183	37.30	6.2	2.30	40			172	35.07	6.1	2.50	46			148	30.18	5.8	2.90			52		132	26.97		5.6	3.20	53	129	26.31	5.6	3.30	56	122	24.99	5.5	3.50	63	107	21.93	5.3	4.00	75	91	18.60	5.1	4.70	26	258	52.69	5.2	1.10	GR49 GRF49	4P	29	234	47.75	5.1	1.20	38	181	36.93	4.8	1.55	40	170	34.73	4.7	1.65	47	146	29.88	4.6	1.95			52	131	26.70	4.4	2.20	61	112	22.81	4.3	2.50	52	131	26.74	4.4	2.20	GR39 GRF39	4P	60	114	23.28	4.3	2.50	64	107	21.81	4.2	2.70	72	94	19.27	4.1	3.00	78	88	17.89	4.0	3.10	86	79			16.22	3.9	3.30	29	228	48.08	2.2	0.80	GR39 GRF39	4P	31	212	44.81	4.0	0.85	35	186	39.17	4.5	1.00	38	174	36.72	4.5	1.05	43	154	32.40	4.4	1.20			48	136	28.73	4.3	1.35	57	116	24.42	4.1	1.60	62	106	22.27	4.0	1.75	72	92	19.31	3.9	2.00	77	86	18.05	3.8	2.10	89	74	15.60	3.7	2.50	105	63	13.25	3.5	2.80	117	56	11.83	3.4	3.00	137	48	10.11	3.2	3.20	147	45	9.47	3.2	3.40	48	136	28.78	2.7	0.85	GR29 GRF29	4P	57	116	24.47	2.7	1.00	62	106	22.32	2.6	1.10	72	92	19.35	2.5	1.30	77	86	18.08	2.5	1.40	89	74	15.63	2.4	1.60	105			63	13.28	2.3	1.90	117	56	11.86	2.3	2.10	137	48	10.13	2.2	2.30	148	45	9.41	2.1	2.50	170	39	8.16	2.0	2.70	182	36	7.63	2.0	2.80	211	31	6.59	1.9	3.10	248	27	5.60	1.8	3.40	278	24	5.00	1.8	3.70	71	93	19.71	0.4	0.85	82	81	16.99	1.3	0.95	88	75	15.84	1.3	1.05	100	66	13.84	1.3	1.20	107	62	12.98	1.3	1.25	121	54	11.45	1.3	1.35	137	48	10.15	1.3	1.45	161	41	8.63	1.2	1.60	184	36	7.55	1.1	1.45	197	33	7.04	1.1	1.50	226	29	6.15	1.1	1.70	241	27	5.76	1.1	1.75	273	24	5.09	1.1	1.95	308	21	4.51	1.0	2.00	363	18	3.83	1.0	2.30																																																																																																															
13	504	102.99	11	1.55			15	455	92.97	12	1.70			17	400	81.80	12	1.95			18	378	77.24	12	2.00	21	322	65.77	12	2.40	24	282	57.68	12	2.70	27	255	52.07	12	3.00	30	224	45.81	12	3.50	32	212	43.26	12	3.70		11	631		128.97	3.8	0.90		GR69 GRF69	4P		12	558	113.94					7.3	1.00	13	518	105.83			7.7	1.10	14	470	95.91	8.2	1.20	16	422	86.11	8.6	1.35	19			363	74.17	9.0	1.55	20	341	69.75	9.1	1.65	23	300	61.26	9.3	1.90	24	278	56.89	9.4	2.00	27	252	51.56	10	2.20	30	227	46.29	10			2.50	13	522			106.58	4.4	0.80	GR59 GRF59	4P	14	485			98.99			5.9	0.90		15	439		89.71	6.7	0.95	17	394	80.55	6.9	1.10	20	339	69.23	7.1	1.25	21	317	64.85			7.1	1.35	24	280	57.29	6.9	1.50	26	261	53.22	6.7	1.65	29	236	48.23	6.6	1.80	32	212	43.30	6.4	2.00	37	183	37.30	6.2	2.30	40			172	35.07	6.1	2.50	46			148	30.18	5.8	2.90	52			132	26.97	5.6	3.20	53	129	26.31		5.6	3.30		56	122	24.99	5.5	3.50	63	107	21.93	5.3	4.00	75	91	18.60	5.1	4.70	26	258	52.69	5.2	1.10	GR49 GRF49	4P	29	234	47.75	5.1	1.20			38	181	36.93	4.8	1.55	40	170	34.73	4.7	1.65	47	146	29.88	4.6	1.95	52	131	26.70	4.4	2.20			61	112	22.81	4.3	2.50	52	131	26.74	4.4	2.20	GR39 GRF39	4P	60	114	23.28			4.3	2.50	64	107	21.81	4.2	2.70	72	94	19.27	4.1	3.00	78	88	17.89	4.0	3.10	86	79	16.22	3.9	3.30			29	228	48.08	2.2	0.80	GR39 GRF39	4P	31			212	44.81	4.0	0.85	35	186	39.17	4.5	1.00	38	174	36.72	4.5	1.05	43	154	32.40	4.4	1.20	48			136	28.73	4.3	1.35	57	116	24.42	4.1	1.60	62	106	22.27	4.0	1.75	72	92	19.31	3.9	2.00	77	86	18.05	3.8	2.10	89	74	15.60	3.7	2.50	105	63	13.25	3.5	2.80	117	56	11.83	3.4	3.00	137	48	10.11	3.2	3.20	147	45	9.47	3.2	3.40	48	136	28.78	2.7	0.85	GR29 GRF29			4P	57	116	24.47	2.7	1.00	62	106	22.32	2.6	1.10	72	92	19.35	2.5	1.30	77	86	18.08	2.5	1.40	89	74	15.63	2.4	1.60			105	63	13.28	2.3	1.90	117	56	11.86	2.3	2.10	137	48	10.13	2.2	2.30	148	45	9.41	2.1	2.50	170	39	8.16	2.0	2.70	182	36	7.63	2.0	2.80	211	31	6.59	1.9	3.10	248	27	5.60	1.8	3.40	278	24	5.00	1.8	3.70	71	93	19.71	0.4	0.85	82	81	16.99	1.3	0.95	88	75	15.84	1.3	1.05	100	66	13.84	1.3	1.20	107	62	12.98	1.3	1.25	121	54	11.45	1.3	1.35	137	48	10.15	1.3	1.45	161	41	8.63	1.2	1.60	184	36	7.55	1.1	1.45	197	33	7.04	1.1	1.50	226	29	6.15	1.1	1.70	241	27	5.76	1.1	1.75	273	24	5.09	1.1	1.95	308	21	4.51	1.0	2.00	363	18	3.83	1.0	2.30																																																																																																														
15	455	92.97	12	1.70			17	400	81.80	12	1.95	18	378	77.24	12	2.00	21	322			65.77	12	2.40	24	282	57.68	12	2.70	27	255	52.07	12	3.00	30	224	45.81	12	3.50	32	212	43.26	12	3.70	11	631	128.97	3.8	0.90	GR69 GRF69	4P		12	558		113.94	7.3	1.00					13	518	105.83					7.7	1.10	14	470	95.91	8.2	1.20	16	422	86.11	8.6	1.35	19	363	74.17	9.0	1.55	20	341	69.75			9.1	1.65	23	300	61.26	9.3	1.90	24	278	56.89	9.4	2.00	27	252	51.56	10	2.20	30	227	46.29	10	2.50	13	522	106.58	4.4	0.80	GR59 GRF59			4P	14	485			98.99	5.9	0.90			15	439			89.71			6.7	0.95	17	394	80.55	6.9	1.10	20	339	69.23	7.1	1.25	21	317	64.85	7.1	1.35	24	280	57.29	6.9	1.50			26	261	53.22	6.7	1.65	29	236	48.23	6.6	1.80	32	212	43.30	6.4	2.00	37	183	37.30	6.2	2.30	40	172	35.07	6.1	2.50	46	148	30.18			5.8	2.90	52	132	26.97			5.6	3.20	53	129	26.31			5.6	3.30	56	122	24.99	5.5	3.50	63	107	21.93	5.3	4.00	75	91	18.60	5.1	4.70	26	258	52.69	5.2	1.10	GR49 GRF49	4P	29	234	47.75	5.1	1.20	38	181			36.93	4.8	1.55	40	170			34.73	4.7	1.65	47	146	29.88	4.6	1.95	52	131	26.70	4.4	2.20	61	112	22.81	4.3	2.50	52	131			26.74	4.4	2.20	GR39 GRF39	4P	60	114	23.28	4.3	2.50			64	107	21.81			4.2	2.70	72	94	19.27	4.1	3.00	78	88	17.89	4.0	3.10	86	79	16.22	3.9	3.30	29	228	48.08	2.2	0.80			GR39 GRF39	4P	31	212	44.81			4.0			0.85	35	186	39.17	4.5	1.00	38	174	36.72	4.5	1.05	43	154	32.40	4.4	1.20	48	136	28.73	4.3			1.35	57	116	24.42	4.1	1.60	62	106	22.27	4.0	1.75	72	92	19.31	3.9	2.00	77	86	18.05	3.8	2.10	89	74	15.60	3.7	2.50	105	63	13.25	3.5	2.80	117	56	11.83	3.4	3.00	137	48	10.11	3.2	3.20	147	45	9.47	3.2	3.40	48	136	28.78	2.7	0.85	GR29 GRF29	4P	57					116	24.47	2.7	1.00	62	106	22.32	2.6	1.10	72	92	19.35	2.5	1.30	77	86	18.08	2.5	1.40	89	74	15.63	2.4	1.60	105			63	13.28	2.3	1.90	117	56	11.86	2.3	2.10	137	48	10.13	2.2	2.30	148	45	9.41	2.1	2.50	170	39	8.16	2.0	2.70	182	36	7.63	2.0	2.80	211	31	6.59	1.9	3.10	248	27	5.60	1.8	3.40	278	24	5.00	1.8	3.70	71	93	19.71	0.4	0.85	82	81	16.99	1.3	0.95	88	75	15.84	1.3	1.05	100	66	13.84	1.3	1.20	107	62	12.98	1.3	1.25	121	54	11.45	1.3	1.35	137	48	10.15	1.3	1.45	161	41	8.63	1.2	1.60	184	36	7.55	1.1	1.45	197	33	7.04	1.1	1.50	226	29	6.15	1.1	1.70	241	27	5.76	1.1	1.75	273	24	5.09	1.1	1.95	308	21	4.51	1.0	2.00	363	18	3.83	1.0	2.30																																																																																																															
17	400	81.80	12	1.95			18	378	77.24	12	2.00	21	322	65.77	12	2.40	24	282			57.68	12	2.70	27	255	52.07	12	3.00	30	224	45.81	12	3.50	32	212	43.26	12	3.70	11	631	128.97	3.8	0.90	GR69 GRF69	4P	12	558	113.94				7.3	1.00		13	518	105.83					7.7	1.10	14			470	95.91	8.2	1.20	16	422	86.11	8.6	1.35	19	363	74.17	9.0	1.55	20	341	69.75	9.1	1.65	23	300	61.26			9.3	1.90	24	278	56.89	9.4	2.00	27	252	51.56	10	2.20	30	227	46.29	10	2.50	13	522	106.58	4.4	0.80	GR59 GRF59	4P	14	485	98.99					5.9	0.90			15	439	89.71			6.7	0.95	17	394	80.55			6.9	1.10	20	339	69.23	7.1	1.25	21	317	64.85	7.1	1.35	24	280	57.29	6.9	1.50	26	261	53.22	6.7	1.65			29	236	48.23	6.6	1.80	32	212	43.30	6.4	2.00	37	183	37.30	6.2	2.30	40	172	35.07	6.1	2.50	46	148	30.18	5.8	2.90	52	132	26.97			5.6	3.20	53	129	26.31			5.6	3.30	56	122	24.99	5.5	3.50	63	107	21.93	5.3	4.00	75	91	18.60	5.1	4.70	26	258	52.69	5.2	1.10	GR49 GRF49	4P	29	234	47.75	5.1	1.20			38	181	36.93	4.8	1.55	40	170			34.73	4.7	1.65	47	146			29.88	4.6	1.95	52	131	26.70	4.4	2.20	61	112	22.81	4.3	2.50	52	131	26.74	4.4	2.20	GR39 GRF39	4P	60	114	23.28	4.3	2.50			64	107	21.81	4.2	2.70			72	94	19.27			4.1	3.00	78	88	17.89	4.0	3.10	86	79	16.22	3.9	3.30	29	228	48.08	2.2	0.80	GR39 GRF39	4P	31	212	44.81	4.0	0.85			35	186	39.17			4.5			1.00	38	174	36.72	4.5	1.05	43	154	32.40	4.4	1.20	48	136	28.73	4.3	1.35	57	116	24.42	4.1	1.60	62	106	22.27	4.0	1.75	72	92	19.31	3.9	2.00	77	86	18.05	3.8	2.10	89	74	15.60	3.7	2.50	105	63	13.25	3.5	2.80	117	56	11.83	3.4	3.00	137	48	10.11	3.2	3.20	147	45	9.47	3.2	3.40	48	136	28.78	2.7	0.85	GR29 GRF29	4P	57	116	24.47	2.7	1.00			62					106	22.32	2.6	1.10	72	92	19.35	2.5	1.30	77	86	18.08	2.5	1.40	89	74	15.63	2.4	1.60	105	63	13.28	2.3	1.90	117	56	11.86	2.3	2.10	137	48	10.13	2.2	2.30	148	45	9.41	2.1	2.50	170	39	8.16	2.0	2.70	182	36	7.63	2.0	2.80	211	31	6.59	1.9	3.10	248	27	5.60	1.8	3.40	278	24	5.00	1.8	3.70	71	93	19.71	0.4	0.85	82	81	16.99	1.3	0.95	88	75	15.84	1.3	1.05	100	66	13.84	1.3	1.20	107	62	12.98	1.3	1.25	121	54	11.45	1.3	1.35	137	48	10.15	1.3	1.45	161	41	8.63	1.2	1.60	184	36	7.55	1.1	1.45	197	33	7.04	1.1	1.50	226	29	6.15	1.1	1.70	241	27	5.76	1.1	1.75	273	24	5.09	1.1	1.95	308	21	4.51	1.0	2.00	363	18	3.83	1.0	2.30																																																																																																																						
18	378	77.24	12	2.00			21	322	65.77	12	2.40	24	282	57.68	12	2.70	27	255			52.07	12	3.00	30	224	45.81	12	3.50	32	212	43.26	12	3.70	11	631	128.97	3.8	0.90	GR69 GRF69	4P	12	558	113.94			7.3	1.00	13				518	105.83		7.7	1.10	14	470			95.91	8.2	1.20	16			422	86.11	8.6	1.35	19	363	74.17	9.0	1.55	20	341	69.75	9.1	1.65	23	300	61.26	9.3	1.90	24	278	56.89			9.4	2.00	27	252	51.56	10	2.20	30	227	46.29	10	2.50	13	522	106.58	4.4	0.80	GR59 GRF59	4P	14	485	98.99			5.9	0.90	15					439	89.71	6.7	0.95	17	394	80.55			6.9	1.10	20	339	69.23			7.1	1.25	21	317	64.85	7.1	1.35	24	280	57.29	6.9	1.50	26	261	53.22	6.7	1.65	29	236	48.23	6.6	1.80			32	212	43.30	6.4	2.00	37	183	37.30	6.2	2.30	40	172	35.07	6.1	2.50	46	148	30.18	5.8	2.90	52	132	26.97	5.6	3.20	53	129	26.31			5.6	3.30	56	122	24.99	5.5	3.50	63	107	21.93	5.3	4.00	75	91	18.60	5.1	4.70	26	258	52.69	5.2	1.10	GR49 GRF49	4P	29	234	47.75	5.1	1.20			38	181	36.93	4.8	1.55			40	170	34.73	4.7	1.65	47	146			29.88	4.6	1.95	52	131			26.70	4.4	2.20	61	112	22.81	4.3	2.50	52	131	26.74	4.4	2.20	GR39 GRF39	4P	60	114	23.28			4.3	2.50	64	107	21.81			4.2	2.70	72	94	19.27			4.1	3.00	78			88	17.89	4.0	3.10	86	79	16.22	3.9	3.30	29	228	48.08	2.2	0.80	GR39 GRF39	4P	31			212	44.81	4.0	0.85	35			186	39.17	4.5			1.00			38	174	36.72	4.5	1.05	43	154	32.40	4.4	1.20	48	136	28.73	4.3	1.35	57	116	24.42	4.1	1.60	62	106	22.27	4.0	1.75	72	92	19.31	3.9	2.00	77	86	18.05	3.8	2.10	89	74	15.60	3.7	2.50	105	63	13.25	3.5	2.80	117	56	11.83	3.4	3.00	137	48	10.11	3.2	3.20	147	45	9.47	3.2	3.40	48	136	28.78	2.7	0.85	GR29 GRF29			4P	57	116	24.47	2.7			1.00					62	106	22.32	2.6	1.10	72	92	19.35	2.5	1.30	77	86	18.08	2.5	1.40	89	74	15.63	2.4	1.60	105	63	13.28	2.3	1.90	117	56	11.86	2.3	2.10	137	48	10.13	2.2	2.30	148	45	9.41	2.1	2.50	170	39	8.16	2.0	2.70	182	36	7.63	2.0	2.80	211	31	6.59	1.9	3.10	248	27	5.60	1.8	3.40	278	24	5.00	1.8	3.70	71	93	19.71	0.4	0.85	82	81	16.99	1.3	0.95	88	75	15.84	1.3	1.05	100	66	13.84	1.3	1.20	107	62	12.98	1.3	1.25	121	54	11.45	1.3	1.35	137	48	10.15	1.3	1.45	161	41	8.63	1.2	1.60	184	36	7.55	1.1	1.45	197	33	7.04	1.1	1.50	226	29	6.15	1.1	1.70	241	27	5.76	1.1	1.75	273	24	5.09	1.1	1.95	308	21	4.51	1.0	2.00	363	18	3.83	1.0	2.30																																																																																																																					
21	322	65.77	12	2.40			24	282	57.68	12	2.70	27	255	52.07	12	3.00	30	224			45.81	12	3.50	32	212	43.26	12	3.70	11	631	128.97	3.8	0.90	GR69 GRF69	4P	12	558	113.94			7.3	1.00	13			518	105.83	7.7			1.10	14	470	95.91	8.2	1.20	16	422			86.11	8.6	1.35	19			363	74.17	9.0	1.55	20	341	69.75	9.1	1.65	23	300	61.26	9.3	1.90	24	278	56.89	9.4	2.00	27	252	51.56			10	2.20	30	227	46.29	10	2.50	13	522	106.58	4.4	0.80	GR59 GRF59	4P	14	485	98.99			5.9	0.90	15			439	89.71	6.7		0.95	17		394	80.55	6.9	1.10	20	339	69.23			7.1	1.25	21	317	64.85			7.1	1.35	24	280	57.29	6.9	1.50	26	261	53.22	6.7	1.65	29	236	48.23	6.6	1.80	32	212	43.30	6.4	2.00			37	183	37.30	6.2	2.30	40	172	35.07	6.1	2.50	46	148	30.18	5.8	2.90	52	132	26.97	5.6	3.20	53	129	26.31	5.6	3.30	56	122	24.99	5.5	3.50	63	107	21.93	5.3	4.00	75	91	18.60	5.1	4.70	26	258	52.69	5.2	1.10	GR49 GRF49	4P	29	234	47.75	5.1	1.20			38	181	36.93	4.8	1.55			40	170	34.73	4.7	1.65			47	146	29.88	4.6	1.95	52	131			26.70	4.4	2.20	61	112	22.81	4.3	2.50	52	131	26.74	4.4	2.20	GR39 GRF39	4P	60	114	23.28	4.3	2.50			64	107	21.81			4.2	2.70	72	94	19.27			4.1	3.00	78	88	17.89			4.0	3.10	86	79	16.22	3.9	3.30	29	228	48.08	2.2	0.80	GR39 GRF39	4P	31	212	44.81	4.0	0.85			35			186	39.17	4.5	1.00	38			174	36.72	4.5			1.05	43	154	32.40	4.4	1.20	48	136	28.73	4.3	1.35	57	116	24.42	4.1	1.60	62	106	22.27	4.0	1.75	72	92	19.31	3.9	2.00	77	86	18.05	3.8	2.10	89	74	15.60	3.7	2.50	105	63	13.25	3.5	2.80	117	56	11.83	3.4	3.00	137	48	10.11	3.2	3.20	147	45	9.47	3.2	3.40	48	136	28.78	2.7	0.85	GR29 GRF29	4P	57	116	24.47	2.7	1.00					62	106	22.32	2.6			1.10		72	92		19.35	2.5	1.30	77	86	18.08	2.5	1.40	89	74	15.63	2.4	1.60	105	63	13.28	2.3	1.90	117	56	11.86	2.3	2.10	137	48	10.13	2.2	2.30	148	45	9.41	2.1	2.50	170	39	8.16	2.0	2.70	182	36	7.63	2.0	2.80	211	31	6.59	1.9	3.10	248	27	5.60	1.8	3.40	278	24	5.00	1.8	3.70	71	93	19.71	0.4	0.85	82	81	16.99	1.3	0.95	88	75	15.84	1.3	1.05	100	66	13.84	1.3	1.20	107	62	12.98	1.3	1.25	121	54	11.45	1.3	1.35	137	48	10.15	1.3	1.45	161	41	8.63	1.2	1.60	184	36	7.55	1.1	1.45	197	33	7.04	1.1	1.50	226	29	6.15	1.1	1.70	241	27	5.76	1.1	1.75	273	24	5.09	1.1	1.95	308	21	4.51	1.0	2.00	363	18	3.83	1.0	2.30																																																																																																																												
24	282	57.68	12	2.70			27	255	52.07	12	3.00	30	224	45.81	12	3.50	32	212			43.26	12	3.70	11	631	128.97	3.8	0.90	GR69 GRF69	4P	12	558	113.94			7.3	1.00	13			518	105.83	7.7			1.10	14	470			95.91	8.2	1.20	16	422	86.11	8.6	1.35			19	363	74.17	9.0			1.55	20	341	69.75	9.1	1.65	23	300	61.26	9.3	1.90	24	278	56.89	9.4	2.00	27	252	51.56	10	2.20	30			227	46.29	10	2.50	13	522	106.58	4.4	0.80	GR59 GRF59	4P	14			485	98.99	5.9			0.90	15	439			89.71	6.7	0.95		17	394		80.55	6.9	1.10	20	339	69.23	7.1			1.25	21	317	64.85	7.1			1.35	24	280	57.29	6.9	1.50	26	261	53.22	6.7	1.65	29	236	48.23	6.6	1.80	32	212	43.30	6.4	2.00	37			183	37.30	6.2	2.30	40	172	35.07	6.1	2.50	46	148	30.18	5.8	2.90	52	132	26.97	5.6	3.20	53	129	26.31	5.6	3.30	56	122	24.99	5.5	3.50	63	107	21.93	5.3	4.00	75	91	18.60	5.1	4.70	26	258	52.69	5.2	1.10	GR49 GRF49			4P	29	234	47.75	5.1			1.20	38	181	36.93	4.8			1.55	40	170	34.73	4.7			1.65	47	146	29.88	4.6	1.95	52	131	26.70	4.4	2.20	61	112	22.81	4.3	2.50	52	131	26.74	4.4	2.20	GR39 GRF39			4P	60	114	23.28	4.3			2.50	64	107			21.81	4.2	2.70	72	94			19.27	4.1	3.00	78	88	17.89	4.0	3.10	86	79	16.22	3.9	3.30	29	228	48.08	2.2	0.80	GR39 GRF39			4P	31	212	44.81	4.0			0.85			35	186	39.17	4.5	1.00			38	174	36.72	4.5	1.05	43	154	32.40	4.4	1.20	48	136	28.73	4.3	1.35	57	116	24.42	4.1	1.60	62	106	22.27	4.0	1.75	72	92	19.31	3.9	2.00	77	86	18.05	3.8	2.10	89	74	15.60	3.7	2.50	105	63	13.25	3.5	2.80	117	56	11.83	3.4	3.00	137	48	10.11	3.2	3.20	147	45	9.47	3.2	3.40	48	136	28.78	2.7	0.85	GR29 GRF29			4P	57	116	24.47	2.7					1.00	62	106	22.32			2.6	1.10	72	92	19.35	2.5	1.30	77	86	18.08	2.5	1.40	89	74	15.63	2.4	1.60	105	63	13.28	2.3	1.90	117	56	11.86	2.3	2.10	137	48	10.13	2.2	2.30	148	45	9.41	2.1	2.50	170	39	8.16	2.0	2.70	182	36	7.63	2.0	2.80	211	31	6.59	1.9	3.10	248	27	5.60	1.8	3.40	278	24	5.00	1.8	3.70	71	93	19.71	0.4	0.85	82	81	16.99	1.3	0.95	88	75	15.84	1.3	1.05	100	66	13.84	1.3	1.20	107	62	12.98	1.3	1.25	121	54	11.45	1.3	1.35	137	48	10.15	1.3	1.45	161	41	8.63	1.2	1.60	184	36	7.55	1.1	1.45	197	33	7.04	1.1	1.50	226	29	6.15	1.1	1.70	241	27	5.76	1.1	1.75	273	24	5.09	1.1	1.95	308	21	4.51	1.0	2.00	363	18	3.83	1.0	2.30																																																																																																																													
27	255	52.07	12	3.00			30	224	45.81	12	3.50	32	212	43.26	12	3.70	11	631			128.97	3.8	0.90	GR69 GRF69	4P	12	558	113.94			7.3	1.00	13			518	105.83	7.7			1.10	14	470			95.91	8.2	1.20			16	422	86.11	8.6	1.35	19	363	74.17			9.0	1.55	20	341			69.75	9.1	1.65	23	300	61.26	9.3	1.90	24	278	56.89	9.4	2.00	27	252	51.56	10	2.20	30	227	46.29	10			2.50	13	522	106.58	4.4	0.80	GR59 GRF59	4P	14			485			98.99	5.9	0.90			15	439	89.71			6.7	0.95	17		394	80.55		6.9	1.10	20	339	69.23	7.1	1.25			21	317	64.85	7.1	1.35			24	280	57.29	6.9	1.50	26	261	53.22	6.7	1.65	29	236	48.23	6.6	1.80	32	212	43.30	6.4	2.00	37	183			37.30	6.2	2.30	40	172	35.07	6.1	2.50	46	148	30.18	5.8	2.90	52	132	26.97	5.6	3.20	53	129	26.31	5.6	3.30	56	122	24.99	5.5	3.50	63	107	21.93	5.3	4.00	75	91	18.60	5.1	4.70	26	258	52.69	5.2	1.10	GR49 GRF49					4P	29	234	47.75			5.1	1.20	38	181	36.93			4.8	1.55	40	170	34.73	4.7	1.65	47	146	29.88	4.6	1.95	52	131	26.70	4.4	2.20	61	112	22.81	4.3	2.50	52	131	26.74	4.4	2.20	GR39 GRF39					4P	60	114	23.28			4.3	2.50	64			107	21.81	4.2	2.70	72	94	19.27	4.1	3.00	78	88	17.89	4.0	3.10	86	79	16.22	3.9	3.30	29	228	48.08	2.2	0.80	GR39 GRF39					4P	31	212	44.81			4.0			0.85	35	186	39.17	4.5	1.00	38	174	36.72	4.5	1.05	43	154	32.40	4.4	1.20	48	136	28.73	4.3	1.35	57	116	24.42	4.1	1.60	62	106	22.27	4.0	1.75	72	92	19.31	3.9	2.00	77	86	18.05	3.8	2.10	89	74	15.60	3.7	2.50	105	63	13.25	3.5	2.80	117	56	11.83	3.4	3.00	137	48	10.11	3.2	3.20	147	45	9.47	3.2	3.40	48	136	28.78	2.7	0.85	GR29 GRF29					4P	57	116	24.47					2.7	1.00	62	106	22.32	2.6	1.10	72	92	19.35	2.5	1.30	77	86	18.08	2.5	1.40	89	74	15.63	2.4	1.60	105	63	13.28	2.3	1.90	117	56	11.86	2.3	2.10	137	48	10.13	2.2	2.30	148	45	9.41	2.1	2.50	170	39	8.16	2.0	2.70	182	36	7.63	2.0	2.80	211	31	6.59	1.9	3.10	248	27	5.60	1.8	3.40	278	24	5.00	1.8	3.70	71	93	19.71	0.4	0.85	82	81	16.99	1.3	0.95	88	75	15.84	1.3	1.05	100	66	13.84	1.3	1.20	107	62	12.98	1.3	1.25	121	54	11.45	1.3	1.35	137	48	10.15	1.3	1.45	161	41	8.63	1.2	1.60	184	36	7.55	1.1	1.45	197	33	7.04	1.1	1.50	226	29	6.15	1.1	1.70	241	27	5.76	1.1	1.75	273	24	5.09	1.1	1.95	308	21	4.51	1.0	2.00	363	18	3.83	1.0	2.30																																																																																																																														
30	224	45.81	12	3.50			32	212	43.26	12	3.70	11	631	128.97	3.8	0.90	GR69 GRF69	4P	12	558	113.94	7.3	1.00			13	518	105.83			7.7	1.10	14			470	95.91	8.2			1.20	16	422			86.11	8.6	1.35			19	363	74.17	9.0	1.55	20	341	69.75			9.1	1.65	23	300			61.26	9.3	1.90	24	278	56.89	9.4	2.00	27	252	51.56	10	2.20	30	227	46.29	10	2.50	13	522	106.58	4.4	0.80	GR59 GRF59	4P	14	485	98.99	5.9	0.90			15			439			89.71	6.7	0.95			17	394	80.55			6.9	1.10	20		339	69.23		7.1	1.25	21	317	64.85	7.1	1.35			24	280	57.29	6.9	1.50			26	261	53.22	6.7	1.65	29	236	48.23	6.6	1.80	32	212	43.30	6.4	2.00	37	183	37.30	6.2	2.30	40	172	35.07	6.1	2.50	46	148	30.18	5.8	2.90	52	132	26.97	5.6	3.20	53	129	26.31	5.6	3.30	56	122	24.99	5.5	3.50	63	107	21.93	5.3	4.00	75	91	18.60	5.1	4.70	26	258	52.69	5.2	1.10	GR49 GRF49	4P	29	234	47.75	5.1	1.20							38	181	36.93			4.8	1.55	40	170	34.73	4.7	1.65	47	146	29.88	4.6	1.95	52	131	26.70	4.4	2.20	61	112	22.81	4.3	2.50	52	131	26.74	4.4	2.20	GR39 GRF39	4P	60	114	23.28	4.3	2.50							64	107	21.81			4.2	2.70	72	94	19.27	4.1	3.00	78	88	17.89	4.0	3.10	86	79	16.22	3.9	3.30	29	228	48.08	2.2	0.80	GR39 GRF39	4P	31	212	44.81	4.0	0.85							35	186	39.17			4.5	1.00	38	174	36.72	4.5	1.05	43	154	32.40	4.4	1.20	48	136	28.73	4.3	1.35	57	116	24.42	4.1	1.60	62	106	22.27	4.0	1.75	72	92	19.31	3.9	2.00	77	86	18.05	3.8	2.10	89	74	15.60	3.7	2.50	105	63	13.25	3.5	2.80	117	56	11.83	3.4	3.00	137	48	10.11	3.2	3.20	147	45	9.47	3.2	3.40	48	136	28.78	2.7	0.85	GR29 GRF29	4P	57	116	24.47	2.7	1.00							62	106	22.32		2.6	1.10		72	92	19.35	2.5	1.30	77	86	18.08	2.5	1.40	89	74	15.63	2.4	1.60	105	63	13.28	2.3	1.90	117	56	11.86	2.3	2.10	137	48	10.13	2.2	2.30	148	45	9.41	2.1	2.50	170	39	8.16	2.0	2.70	182	36	7.63	2.0	2.80	211	31	6.59	1.9	3.10	248	27	5.60	1.8	3.40	278	24	5.00	1.8	3.70	71	93	19.71	0.4	0.85	82	81	16.99	1.3	0.95	88	75	15.84	1.3	1.05	100	66	13.84	1.3	1.20	107	62	12.98	1.3	1.25	121	54	11.45	1.3	1.35	137	48	10.15	1.3	1.45	161	41	8.63	1.2	1.60	184	36	7.55	1.1	1.45	197	33	7.04	1.1	1.50	226	29	6.15	1.1	1.70	241	27	5.76	1.1	1.75	273	24	5.09	1.1	1.95	308	21	4.51	1.0	2.00	363	18	3.83	1.0	2.30																																																																																																																																					
32	212	43.26	12	3.70																																																																																																																																																																																																																																																																																																																																																																																																																																																																																																																																																																																																																																																																											
11	631	128.97	3.8	0.90	GR69 GRF69	4P	12	558	113.94	7.3	1.00	13	518	105.83	7.7	1.10			14	470	95.91	8.2	1.20			16	422	86.11			8.6	1.35	19			363	74.17	9.0			1.55	20	341			69.75	9.1	1.65			23	300	61.26	9.3	1.90	24	278	56.89			9.4	2.00	27	252	51.56	10	2.20	30	227	46.29	10	2.50	13	522	106.58	4.4	0.80	GR59 GRF59	4P	14	485	98.99	5.9	0.90	15	439	89.71	6.7	0.95			17	394	80.55	6.9	1.10			20			339			69.23	7.1	1.25			21	317	64.85			7.1	1.35	24		280	57.29		6.9	1.50	26	261	53.22	6.7	1.65			29	236	48.23	6.6	1.80	32	212	43.30	6.4	2.00	37	183	37.30	6.2	2.30	40	172	35.07	6.1	2.50	46	148	30.18	5.8	2.90	52	132	26.97	5.6	3.20	53	129	26.31	5.6	3.30	56	122	24.99	5.5	3.50	63	107	21.93	5.3	4.00	75	91	18.60	5.1	4.70	26	258	52.69	5.2	1.10	GR49 GRF49	4P	29	234	47.75	5.1	1.20	38	181	36.93	4.8	1.55			40	170	34.73	4.7	1.65			47	146			29.88	4.6	1.95	52	131	26.70	4.4	2.20	61	112	22.81	4.3	2.50	52	131	26.74	4.4	2.20	GR39 GRF39	4P	60	114	23.28	4.3	2.50	64	107	21.81	4.2	2.70	72	94			19.27	4.1	3.00	78	88			17.89	4.0			3.10	86	79	16.22	3.9	3.30	29	228	48.08	2.2	0.80	GR39 GRF39	4P	31	212	44.81	4.0	0.85	35	186	39.17	4.5	1.00	38	174	36.72	4.5			1.05	43	154	32.40	4.4			1.20	48			136	28.73	4.3	1.35	57	116	24.42	4.1	1.60	62	106	22.27	4.0	1.75	72	92	19.31	3.9	2.00	77	86	18.05	3.8	2.10	89	74	15.60	3.7	2.50	105	63	13.25	3.5	2.80	117	56	11.83	3.4	3.00	137	48	10.11	3.2	3.20	147	45	9.47	3.2	3.40	48	136	28.78	2.7	0.85	GR29 GRF29	4P	57	116	24.47	2.7	1.00	62	106	22.32	2.6	1.10	72	92	19.35	2.5	1.30	77			86	18.08	2.5	1.40	89			74	15.63			2.4	1.60	105	63	13.28	2.3	1.90	117	56	11.86	2.3	2.10	137	48	10.13	2.2	2.30	148	45	9.41	2.1	2.50	170	39	8.16	2.0	2.70	182	36	7.63	2.0	2.80	211	31	6.59	1.9	3.10	248	27	5.60	1.8	3.40	278	24	5.00	1.8	3.70	71	93	19.71	0.4	0.85	82	81	16.99	1.3	0.95	88	75	15.84	1.3	1.05	100	66	13.84	1.3	1.20	107	62	12.98	1.3	1.25	121	54	11.45	1.3	1.35	137	48	10.15	1.3	1.45	161	41	8.63	1.2	1.60	184	36	7.55	1.1	1.45	197	33	7.04	1.1	1.50	226	29	6.15	1.1	1.70	241	27	5.76	1.1	1.75	273	24	5.09	1.1	1.95	308	21	4.51	1.0	2.00	363	18	3.83	1.0	2.30																																																																																																																																																									
12	558	113.94	7.3	1.00			13	518	105.83	7.7	1.10	14	470	95.91	8.2	1.20			16	422	86.11	8.6	1.35			19	363	74.17			9.0	1.55	20			341	69.75	9.1			1.65	23	300			61.26	9.3	1.90			24	278	56.89	9.4	2.00	27	252	51.56	10	2.20	30	227	46.29	10	2.50	13	522	106.58	4.4	0.80	GR59 GRF59	4P	14	485	98.99	5.9	0.90			15	439	89.71	6.7	0.95	17	394	80.55	6.9	1.10			20	339	69.23	7.1	1.25			21			317			64.85	7.1	1.35			24	280	57.29			6.9	1.50	26		261	53.22		6.7	1.65	29	236	48.23	6.6	1.80	32	212	43.30	6.4	2.00	37	183	37.30	6.2	2.30	40	172	35.07	6.1	2.50	46	148	30.18	5.8	2.90	52	132	26.97	5.6	3.20	53	129	26.31	5.6	3.30	56	122	24.99	5.5	3.50	63	107	21.93	5.3	4.00	75	91	18.60	5.1	4.70	26	258	52.69	5.2	1.10	GR49 GRF49	4P	29	234	47.75	5.1	1.20			38	181	36.93	4.8	1.55	40	170	34.73	4.7	1.65			47	146	29.88	4.6	1.95		52	131	26.70	4.4		2.20	61	112	22.81	4.3	2.50	52	131	26.74	4.4	2.20	GR39 GRF39	4P	60	114	23.28	4.3	2.50			64	107	21.81	4.2	2.70	72	94	19.27	4.1	3.00	78	88			17.89	4.0	3.10	86	79		16.22	3.9	3.30	29		228	48.08	2.2	0.80	GR39 GRF39	4P	31	212	44.81	4.0	0.85			35	186	39.17	4.5	1.00	38	174	36.72	4.5	1.05	43	154	32.40	4.4			1.20	48	136	28.73	4.3		1.35	57	116	24.42		4.1	1.60	62	106	22.27	4.0	1.75	72	92	19.31	3.9	2.00	77	86	18.05	3.8	2.10	89	74	15.60	3.7	2.50	105	63	13.25	3.5	2.80	117	56	11.83	3.4	3.00	137	48	10.11	3.2	3.20	147	45	9.47	3.2	3.40	48	136	28.78	2.7	0.85	GR29 GRF29	4P	57	116	24.47	2.7	1.00			62	106	22.32	2.6	1.10	72	92	19.35	2.5	1.30	77	86	18.08	2.5	1.40	89			74	15.63	2.4	1.60	105		63	13.28	2.3	1.90		117	56	11.86	2.3	2.10	137	48	10.13	2.2	2.30	148	45	9.41	2.1	2.50	170	39	8.16	2.0	2.70	182	36	7.63	2.0	2.80	211	31	6.59	1.9	3.10	248	27	5.60	1.8	3.40	278	24	5.00	1.8	3.70	71	93	19.71	0.4	0.85	82	81	16.99	1.3	0.95	88	75	15.84	1.3	1.05	100	66	13.84	1.3	1.20	107	62	12.98	1.3	1.25	121	54	11.45	1.3	1.35	137	48	10.15	1.3	1.45	161	41	8.63	1.2	1.60	184	36	7.55	1.1	1.45	197	33	7.04	1.1	1.50	226	29	6.15	1.1	1.70	241	27	5.76	1.1	1.75	273	24	5.09	1.1	1.95	308	21	4.51	1.0	2.00	363	18	3.83	1.0	2.30																																																																																																																																																																
13	518	105.83	7.7	1.10			14	470	95.91	8.2	1.20	16	422	86.11	8.6	1.35			19	363	74.17	9.0	1.55			20	341	69.75			9.1	1.65	23			300	61.26	9.3			1.90	24	278			56.89	9.4	2.00	27	252	51.56	10	2.20	30	227	46.29	10	2.50	13	522	106.58	4.4	0.80	GR59 GRF59	4P	14	485	98.99	5.9	0.90			15	439	89.71	6.7	0.95			17	394	80.55	6.9	1.10	20	339	69.23	7.1	1.25			21	317	64.85	7.1	1.35			24			280			57.29	6.9	1.50			26	261	53.22			6.7	1.65	29	236	48.23	6.6	1.80	32	212	43.30	6.4	2.00	37	183	37.30	6.2	2.30	40	172	35.07	6.1	2.50	46	148	30.18	5.8	2.90	52	132	26.97	5.6	3.20	53	129	26.31	5.6	3.30	56	122	24.99	5.5	3.50	63	107	21.93	5.3	4.00	75	91	18.60	5.1	4.70	26	258	52.69	5.2	1.10	GR49 GRF49	4P	29	234	47.75	5.1	1.20			38	181	36.93	4.8	1.55			40	170	34.73	4.7	1.65	47	146	29.88	4.6	1.95			52	131	26.70	4.4	2.20	61	112	22.81	4.3	2.50	52	131	26.74	4.4	2.20	GR39 GRF39	4P	60	114	23.28	4.3	2.50			64	107	21.81	4.2	2.70			72	94	19.27	4.1	3.00	78	88	17.89	4.0	3.10	86	79			16.22	3.9	3.30	29	228	48.08	2.2	0.80	GR39 GRF39	4P	31	212	44.81	4.0	0.85			35	186	39.17	4.5	1.00			38	174	36.72	4.5	1.05	43	154	32.40	4.4	1.20	48	136	28.73	4.3			1.35	57	116	24.42	4.1	1.60	62	106	22.27	4.0	1.75	72	92	19.31	3.9	2.00	77	86	18.05	3.8	2.10	89	74	15.60	3.7	2.50	105	63	13.25	3.5	2.80	117	56	11.83	3.4	3.00	137	48	10.11	3.2	3.20	147	45	9.47	3.2	3.40	48	136	28.78	2.7	0.85	GR29 GRF29	4P	57	116	24.47	2.7	1.00			62	106	22.32	2.6	1.10			72	92	19.35	2.5	1.30	77	86	18.08	2.5	1.40	89	74	15.63	2.4	1.60	105			63	13.28	2.3	1.90	117	56	11.86	2.3	2.10	137	48	10.13	2.2	2.30	148	45	9.41	2.1	2.50	170	39	8.16	2.0	2.70	182	36	7.63	2.0	2.80	211	31	6.59	1.9	3.10	248	27	5.60	1.8	3.40	278	24	5.00	1.8	3.70	71	93	19.71	0.4	0.85	82	81	16.99	1.3	0.95	88	75	15.84	1.3	1.05	100	66	13.84	1.3	1.20	107	62	12.98	1.3	1.25	121	54	11.45	1.3	1.35	137	48	10.15	1.3	1.45	161	41	8.63	1.2	1.60	184	36	7.55	1.1	1.45	197	33	7.04	1.1	1.50	226	29	6.15	1.1	1.70	241	27	5.76	1.1	1.75	273	24	5.09	1.1	1.95	308	21	4.51	1.0	2.00	363	18	3.83	1.0	2.30																																																																																																																																																																							
14	470	95.91	8.2	1.20			16	422	86.11	8.6	1.35	19	363	74.17	9.0	1.55			20	341	69.75	9.1	1.65			23	300	61.26			9.3	1.90	24			278	56.89	9.4			2.00	27	252	51.56	10	2.20	30	227	46.29	10	2.50	13	522	106.58	4.4	0.80	GR59 GRF59	4P	14	485	98.99	5.9	0.90			15	439	89.71	6.7	0.95			17	394	80.55	6.9	1.10			20	339	69.23	7.1	1.25	21	317	64.85	7.1	1.35			24	280	57.29	6.9	1.50			26			261			53.22	6.7	1.65			29	236	48.23	6.6	1.80	32	212	43.30	6.4	2.00	37	183	37.30	6.2	2.30	40	172	35.07	6.1	2.50	46	148	30.18	5.8	2.90	52	132	26.97	5.6	3.20	53	129	26.31	5.6	3.30	56	122	24.99	5.5	3.50	63	107	21.93	5.3	4.00	75	91	18.60	5.1	4.70	26	258	52.69	5.2	1.10	GR49 GRF49	4P	29	234	47.75	5.1	1.20			38	181	36.93	4.8	1.55			40	170	34.73	4.7	1.65			47	146	29.88	4.6	1.95	52	131	26.70	4.4	2.20	61	112	22.81	4.3	2.50	52	131	26.74	4.4	2.20	GR39 GRF39	4P	60	114	23.28	4.3	2.50			64	107	21.81	4.2	2.70			72	94	19.27	4.1	3.00			78	88	17.89	4.0	3.10	86	79	16.22	3.9	3.30	29	228	48.08	2.2	0.80	GR39 GRF39	4P	31	212	44.81	4.0	0.85			35	186	39.17	4.5	1.00			38	174	36.72	4.5	1.05			43	154	32.40	4.4	1.20	48	136	28.73	4.3	1.35	57	116	24.42	4.1	1.60	62	106	22.27	4.0	1.75	72	92	19.31	3.9	2.00	77	86	18.05	3.8	2.10	89	74	15.60	3.7	2.50	105	63	13.25	3.5	2.80	117	56	11.83	3.4	3.00	137	48	10.11	3.2	3.20	147	45	9.47	3.2	3.40	48	136	28.78	2.7	0.85	GR29 GRF29	4P	57	116	24.47	2.7	1.00			62	106	22.32	2.6	1.10			72	92	19.35	2.5	1.30			77	86	18.08	2.5	1.40	89	74	15.63	2.4	1.60	105	63	13.28	2.3	1.90	117	56	11.86	2.3	2.10	137	48	10.13	2.2	2.30	148	45	9.41	2.1	2.50	170	39	8.16	2.0	2.70	182	36	7.63	2.0	2.80	211	31	6.59	1.9	3.10	248	27	5.60	1.8	3.40	278	24	5.00	1.8	3.70	71	93	19.71	0.4	0.85	82	81	16.99	1.3	0.95	88	75	15.84	1.3	1.05	100	66	13.84	1.3	1.20	107	62	12.98	1.3	1.25	121	54	11.45	1.3	1.35	137	48	10.15	1.3	1.45	161	41	8.63	1.2	1.60	184	36	7.55	1.1	1.45	197	33	7.04	1.1	1.50	226	29	6.15	1.1	1.70	241	27	5.76	1.1	1.75	273	24	5.09	1.1	1.95	308	21	4.51	1.0	2.00	363	18	3.83	1.0	2.30																																																																																																																																																																														
16	422	86.11	8.6	1.35			19	363	74.17	9.0	1.55	20	341	69.75	9.1	1.65			23	300	61.26	9.3	1.90			24	278	56.89			9.4	2.00	27			252	51.56	10	2.20	30	227	46.29	10	2.50	13	522	106.58	4.4	0.80	GR59 GRF59	4P	14	485	98.99	5.9	0.90			15	439	89.71	6.7	0.95			17	394	80.55	6.9	1.10			20	339	69.23	7.1	1.25			21	317	64.85	7.1	1.35	24	280	57.29	6.9	1.50			26	261	53.22	6.7	1.65			29			236			48.23	6.6	1.80	32	212	43.30	6.4	2.00	37	183	37.30	6.2	2.30	40	172	35.07	6.1	2.50	46	148	30.18	5.8	2.90	52	132	26.97	5.6	3.20	53	129	26.31	5.6	3.30	56	122	24.99	5.5	3.50	63	107	21.93	5.3	4.00	75	91	18.60	5.1	4.70	26	258	52.69	5.2	1.10	GR49 GRF49	4P	29	234	47.75	5.1	1.20			38	181	36.93	4.8	1.55			40	170	34.73	4.7	1.65			47	146	29.88	4.6	1.95			52	131	26.70	4.4	2.20	61	112	22.81	4.3	2.50	52	131	26.74	4.4	2.20	GR39 GRF39	4P	60	114	23.28			4.3	2.50	64	107	21.81			4.2	2.70	72	94	19.27			4.1	3.00	78	88	17.89			4.0	3.10	86	79	16.22	3.9	3.30	29	228	48.08	2.2	0.80	GR39 GRF39	4P	31			212	44.81	4.0	0.85	35			186	39.17	4.5	1.00	38			174	36.72	4.5	1.05	43			154	32.40	4.4	1.20	48	136	28.73	4.3	1.35	57	116	24.42	4.1	1.60	62	106	22.27	4.0	1.75	72	92	19.31	3.9	2.00	77	86	18.05	3.8	2.10	89	74	15.60	3.7	2.50	105	63	13.25	3.5	2.80	117	56	11.83	3.4	3.00	137	48	10.11	3.2	3.20	147	45	9.47	3.2	3.40	48	136	28.78	2.7	0.85	GR29 GRF29			4P	57	116	24.47	2.7			1.00	62	106	22.32	2.6			1.10	72	92	19.35	2.5			1.30	77	86	18.08	2.5	1.40	89	74	15.63	2.4	1.60	105	63	13.28	2.3	1.90	117	56	11.86	2.3	2.10	137	48	10.13	2.2	2.30	148	45	9.41	2.1	2.50	170	39	8.16	2.0	2.70	182	36	7.63	2.0	2.80	211	31	6.59	1.9	3.10	248	27	5.60	1.8	3.40	278	24	5.00	1.8	3.70	71	93	19.71	0.4	0.85	82	81	16.99	1.3	0.95	88	75	15.84	1.3	1.05	100	66	13.84	1.3	1.20	107	62	12.98	1.3	1.25	121	54	11.45	1.3	1.35	137	48	10.15	1.3	1.45	161	41	8.63	1.2	1.60	184	36	7.55	1.1	1.45	197	33	7.04	1.1	1.50	226	29	6.15	1.1	1.70	241	27	5.76	1.1	1.75	273	24	5.09	1.1	1.95	308	21	4.51	1.0	2.00	363	18	3.83	1.0	2.30																																																																																																																																																																													
19	363	74.17	9.0	1.55			20	341	69.75	9.1	1.65	23	300	61.26	9.3	1.90			24	278	56.89	9.4	2.00			27	252	51.56			10	2.20	30	227	46.29	10	2.50	13	522	106.58	4.4	0.80	GR59 GRF59	4P	14	485	98.99	5.9	0.90			15	439	89.71	6.7	0.95			17	394	80.55	6.9	1.10			20	339	69.23	7.1	1.25			21	317	64.85	7.1	1.35			24	280	57.29	6.9	1.50	26	261	53.22	6.7	1.65			29	236	48.23	6.6	1.80			32			212	43.30	6.4	2.00	37	183	37.30	6.2	2.30	40	172	35.07	6.1	2.50	46	148	30.18	5.8	2.90	52	132	26.97	5.6	3.20	53	129	26.31	5.6	3.30	56	122	24.99	5.5	3.50	63	107	21.93	5.3	4.00	75	91	18.60	5.1	4.70	26	258	52.69	5.2	1.10	GR49 GRF49	4P	29	234	47.75	5.1	1.20			38	181	36.93	4.8	1.55			40	170	34.73	4.7	1.65			47	146	29.88	4.6	1.95			52	131	26.70	4.4	2.20	61	112	22.81	4.3	2.50	52	131	26.74	4.4	2.20	GR39 GRF39	4P	60	114	23.28	4.3	2.50			64	107	21.81			4.2	2.70	72	94	19.27			4.1	3.00	78	88	17.89			4.0	3.10	86	79	16.22	3.9	3.30	29	228	48.08	2.2	0.80	GR39 GRF39	4P	31	212	44.81	4.0	0.85			35			186	39.17	4.5	1.00	38			174	36.72	4.5	1.05	43			154	32.40	4.4	1.20	48	136	28.73	4.3	1.35	57	116	24.42	4.1	1.60	62	106	22.27	4.0	1.75	72	92	19.31	3.9	2.00	77	86	18.05	3.8	2.10	89	74	15.60	3.7	2.50	105	63	13.25	3.5	2.80	117	56	11.83	3.4	3.00	137	48	10.11	3.2	3.20	147	45	9.47	3.2	3.40	48	136	28.78	2.7	0.85	GR29 GRF29	4P	57	116	24.47	2.7	1.00					62	106	22.32	2.6			1.10	72	92	19.35	2.5			1.30	77	86	18.08	2.5	1.40	89	74	15.63	2.4	1.60	105	63	13.28	2.3	1.90	117	56	11.86	2.3	2.10	137	48	10.13	2.2	2.30	148	45	9.41	2.1	2.50	170	39	8.16	2.0	2.70	182	36	7.63	2.0	2.80	211	31	6.59	1.9	3.10	248	27	5.60	1.8	3.40	278	24	5.00	1.8	3.70	71	93	19.71	0.4	0.85	82	81	16.99	1.3	0.95	88	75	15.84	1.3	1.05	100	66	13.84	1.3	1.20	107	62	12.98	1.3	1.25	121	54	11.45	1.3	1.35	137	48	10.15	1.3	1.45	161	41	8.63	1.2	1.60	184	36	7.55	1.1	1.45	197	33	7.04	1.1	1.50	226	29	6.15	1.1	1.70	241	27	5.76	1.1	1.75	273	24	5.09	1.1	1.95	308	21	4.51	1.0	2.00	363	18	3.83	1.0	2.30																																																																																																																																																																																				
20	341	69.75	9.1	1.65			23	300	61.26	9.3	1.90	24	278	56.89	9.4	2.00			27	252	51.56	10	2.20			30	227	46.29	10	2.50	13	522	106.58	4.4	0.80	GR59 GRF59	4P	14	485	98.99	5.9	0.90			15	439	89.71	6.7	0.95			17	394	80.55	6.9	1.10			20	339	69.23	7.1	1.25			21	317	64.85	7.1	1.35			24	280	57.29	6.9	1.50			26	261	53.22	6.7	1.65	29	236	48.23	6.6	1.80			32	212	43.30	6.4	2.00			37	183	37.30	6.2	2.30	40	172	35.07	6.1	2.50	46	148	30.18	5.8	2.90	52	132	26.97	5.6	3.20	53	129	26.31	5.6	3.30	56	122	24.99	5.5	3.50	63	107	21.93	5.3	4.00	75	91	18.60	5.1	4.70	26	258	52.69	5.2	1.10	GR49 GRF49	4P	29	234	47.75	5.1	1.20			38	181	36.93	4.8	1.55			40	170	34.73	4.7	1.65			47	146	29.88	4.6	1.95			52	131	26.70	4.4	2.20	61	112	22.81	4.3	2.50	52	131	26.74	4.4	2.20	GR39 GRF39	4P	60	114	23.28	4.3	2.50			64	107	21.81	4.2	2.70			72	94	19.27			4.1	3.00	78	88	17.89			4.0	3.10	86	79	16.22	3.9	3.30	29	228	48.08	2.2	0.80	GR39 GRF39	4P	31	212	44.81	4.0	0.85			35	186	39.17	4.5	1.00			38			174	36.72	4.5	1.05	43			154	32.40	4.4	1.20	48	136	28.73	4.3	1.35	57	116	24.42	4.1	1.60	62	106	22.27	4.0	1.75	72	92	19.31	3.9	2.00	77	86	18.05	3.8	2.10	89	74	15.60	3.7	2.50	105	63	13.25	3.5	2.80	117	56	11.83	3.4	3.00	137	48	10.11	3.2	3.20	147	45	9.47	3.2	3.40	48	136	28.78	2.7	0.85	GR29 GRF29	4P	57	116	24.47	2.7	1.00			62	106	22.32	2.6	1.10					72	92	19.35	2.5			1.30	77	86	18.08	2.5	1.40	89	74	15.63	2.4	1.60	105	63	13.28	2.3	1.90	117	56	11.86	2.3	2.10	137	48	10.13	2.2	2.30	148	45	9.41	2.1	2.50	170	39	8.16	2.0	2.70	182	36	7.63	2.0	2.80	211	31	6.59	1.9	3.10	248	27	5.60	1.8	3.40	278	24	5.00	1.8	3.70	71	93	19.71	0.4	0.85	82	81	16.99	1.3	0.95	88	75	15.84	1.3	1.05	100	66	13.84	1.3	1.20	107	62	12.98	1.3	1.25	121	54	11.45	1.3	1.35	137	48	10.15	1.3	1.45	161	41	8.63	1.2	1.60	184	36	7.55	1.1	1.45	197	33	7.04	1.1	1.50	226	29	6.15	1.1	1.70	241	27	5.76	1.1	1.75	273	24	5.09	1.1	1.95	308	21	4.51	1.0	2.00	363	18	3.83	1.0	2.30																																																																																																																																																																																											
23	300	61.26	9.3	1.90			24	278	56.89	9.4	2.00	27	252	51.56	10	2.20			30	227	46.29	10	2.50	13	522	106.58	4.4	0.80	GR59 GRF59	4P	14	485	98.99	5.9	0.90			15	439	89.71	6.7	0.95			17	394	80.55	6.9	1.10			20	339	69.23	7.1	1.25			21	317	64.85	7.1	1.35			24	280	57.29	6.9	1.50			26	261	53.22	6.7	1.65			29	236	48.23	6.6	1.80	32	212	43.30	6.4	2.00			37	183	37.30	6.2	2.30	40	172	35.07	6.1	2.50	46	148	30.18	5.8	2.90	52	132	26.97	5.6	3.20	53	129	26.31	5.6	3.30	56	122	24.99	5.5	3.50	63	107	21.93	5.3	4.00	75	91	18.60	5.1	4.70	26	258	52.69	5.2	1.10	GR49 GRF49	4P	29	234	47.75	5.1	1.20			38	181	36.93	4.8	1.55			40	170	34.73	4.7	1.65			47	146	29.88	4.6	1.95			52	131	26.70	4.4	2.20	61	112	22.81	4.3	2.50	52	131	26.74	4.4	2.20	GR39 GRF39	4P	60	114	23.28	4.3	2.50			64	107	21.81	4.2	2.70			72	94	19.27	4.1	3.00			78	88	17.89			4.0	3.10	86	79	16.22	3.9	3.30	29	228	48.08	2.2	0.80	GR39 GRF39	4P	31	212	44.81	4.0	0.85			35	186	39.17	4.5	1.00			38	174	36.72	4.5	1.05			43			154	32.40	4.4	1.20	48	136	28.73	4.3	1.35	57	116	24.42	4.1	1.60	62	106	22.27	4.0	1.75	72	92	19.31	3.9	2.00	77	86	18.05	3.8	2.10	89	74	15.60	3.7	2.50	105	63	13.25	3.5	2.80	117	56	11.83	3.4	3.00	137	48	10.11	3.2	3.20	147	45	9.47	3.2	3.40	48	136	28.78	2.7	0.85	GR29 GRF29	4P	57	116	24.47	2.7	1.00			62	106	22.32	2.6	1.10			72	92	19.35	2.5	1.30					77	86	18.08	2.5	1.40	89	74	15.63	2.4	1.60	105	63	13.28	2.3	1.90	117	56	11.86	2.3	2.10	137	48	10.13	2.2	2.30	148	45	9.41	2.1	2.50	170	39	8.16	2.0	2.70	182	36	7.63	2.0	2.80	211	31	6.59	1.9	3.10	248	27	5.60	1.8	3.40	278	24	5.00	1.8	3.70	71	93	19.71	0.4	0.85	82	81	16.99	1.3	0.95	88	75	15.84	1.3	1.05	100	66	13.84	1.3	1.20	107	62	12.98	1.3	1.25	121	54	11.45	1.3	1.35	137	48	10.15	1.3	1.45	161	41	8.63	1.2	1.60	184	36	7.55	1.1	1.45	197	33	7.04	1.1	1.50	226	29	6.15	1.1	1.70	241	27	5.76	1.1	1.75	273	24	5.09	1.1	1.95	308	21	4.51	1.0	2.00	363	18	3.83	1.0	2.30																																																																																																																																																																																																		
24	278	56.89	9.4	2.00			27	252	51.56	10	2.20	30	227	46.29	10	2.50	13	522	106.58	4.4	0.80	GR59 GRF59	4P	14	485	98.99	5.9	0.90			15	439	89.71	6.7	0.95			17	394	80.55	6.9	1.10			20	339	69.23	7.1	1.25			21	317	64.85	7.1	1.35			24	280	57.29	6.9	1.50			26	261	53.22	6.7	1.65			29	236	48.23	6.6	1.80			32	212	43.30	6.4	2.00	37	183	37.30	6.2	2.30	40	172	35.07	6.1	2.50	46	148	30.18	5.8	2.90	52	132	26.97	5.6	3.20	53	129	26.31	5.6	3.30	56	122	24.99	5.5	3.50	63	107	21.93	5.3	4.00	75	91	18.60	5.1	4.70	26	258	52.69	5.2	1.10	GR49 GRF49	4P	29	234	47.75	5.1	1.20			38	181	36.93	4.8	1.55			40	170	34.73	4.7	1.65			47	146	29.88	4.6	1.95			52	131	26.70	4.4	2.20	61	112	22.81	4.3	2.50	52	131	26.74	4.4	2.20	GR39 GRF39	4P	60	114	23.28	4.3	2.50			64	107	21.81	4.2	2.70			72	94	19.27	4.1	3.00			78	88	17.89	4.0	3.10			86	79	16.22	3.9	3.30	29	228	48.08	2.2	0.80	GR39 GRF39	4P	31	212	44.81	4.0	0.85			35	186	39.17	4.5	1.00			38	174	36.72	4.5	1.05			43	154	32.40	4.4	1.20			48	136	28.73	4.3	1.35	57	116	24.42	4.1	1.60	62	106	22.27	4.0	1.75	72	92	19.31	3.9	2.00	77	86	18.05	3.8	2.10	89	74	15.60	3.7	2.50	105	63	13.25	3.5	2.80	117	56	11.83	3.4	3.00	137	48	10.11	3.2	3.20	147	45	9.47	3.2	3.40	48	136	28.78	2.7	0.85	GR29 GRF29	4P	57	116	24.47	2.7	1.00			62	106	22.32	2.6	1.10			72	92	19.35	2.5	1.30			77	86	18.08	2.5	1.40		89	74		15.63	2.4	1.60	105	63	13.28	2.3	1.90	117	56	11.86	2.3	2.10	137	48	10.13	2.2	2.30	148	45	9.41	2.1	2.50	170	39	8.16	2.0	2.70	182	36	7.63	2.0	2.80	211	31	6.59	1.9	3.10	248	27	5.60	1.8	3.40	278	24	5.00	1.8	3.70	71	93	19.71	0.4	0.85	82	81	16.99	1.3	0.95	88	75	15.84	1.3	1.05	100	66	13.84	1.3	1.20	107	62	12.98	1.3	1.25	121	54	11.45	1.3	1.35	137	48	10.15	1.3	1.45	161	41	8.63	1.2	1.60	184	36	7.55	1.1	1.45	197	33	7.04	1.1	1.50	226	29	6.15	1.1	1.70	241	27	5.76	1.1	1.75	273	24	5.09	1.1	1.95	308	21	4.51	1.0	2.00	363	18	3.83	1.0	2.30																																																																																																																																																																																																									
27	252	51.56	10	2.20																																																																																																																																																																																																																																																																																																																																																																																																																																																																																																																																																																																																																																																																											
30	227	46.29	10	2.50																																																																																																																																																																																																																																																																																																																																																																																																																																																																																																																																																																																																																																																																											
13	522	106.58	4.4	0.80	GR59 GRF59	4P	14	485	98.99	5.9	0.90	15	439	89.71	6.7	0.95	17	394	80.55	6.9	1.10			20	339	69.23	7.1	1.25			21	317	64.85	7.1	1.35			24	280	57.29	6.9	1.50			26	261	53.22	6.7	1.65			29	236	48.23	6.6	1.80			32	212	43.30	6.4	2.00			37	183	37.30	6.2	2.30	40	172	35.07	6.1	2.50	46	148	30.18	5.8	2.90	52	132	26.97	5.6	3.20	53	129	26.31	5.6	3.30	56	122	24.99	5.5	3.50	63	107	21.93	5.3	4.00	75	91	18.60	5.1	4.70	26	258	52.69	5.2	1.10	GR49 GRF49	4P	29	234	47.75	5.1	1.20	38	181	36.93	4.8	1.55	40	170	34.73	4.7	1.65	47	146			29.88	4.6	1.95	52	131			26.70	4.4	2.20	61	112	22.81	4.3	2.50	52	131	26.74	4.4	2.20	GR39 GRF39	4P	60	114	23.28	4.3	2.50	64	107	21.81	4.2	2.70	72	94	19.27	4.1	3.00	78	88	17.89	4.0	3.10	86			79	16.22	3.9	3.30	29			228	48.08	2.2	0.80	GR39 GRF39	4P	31	212	44.81	4.0	0.85	35	186	39.17	4.5	1.00	38	174	36.72	4.5	1.05	43	154	32.40	4.4	1.20	48	136	28.73	4.3	1.35			57	116	24.42	4.1	1.60			62	106	22.27	4.0	1.75	72	92	19.31	3.9	2.00	77	86	18.05	3.8	2.10	89	74	15.60	3.7	2.50	105	63	13.25	3.5	2.80	117	56	11.83	3.4	3.00	137	48	10.11	3.2	3.20	147	45	9.47	3.2	3.40	48	136	28.78	2.7	0.85	GR29 GRF29	4P	57	116	24.47	2.7	1.00	62	106	22.32	2.6	1.10	72	92	19.35	2.5	1.30	77	86	18.08	2.5	1.40	89	74	15.63	2.4	1.60	105	63	13.28	2.3			1.90	117	56	11.86	2.3			2.10	137	48	10.13	2.2	2.30	148	45	9.41	2.1	2.50	170	39	8.16	2.0	2.70	182	36	7.63	2.0	2.80	211	31	6.59	1.9	3.10	248	27	5.60	1.8	3.40	278	24	5.00	1.8	3.70	71	93	19.71	0.4	0.85	82	81	16.99	1.3	0.95	88	75	15.84	1.3	1.05	100	66	13.84	1.3	1.20	107	62	12.98	1.3	1.25	121	54	11.45	1.3	1.35	137	48	10.15	1.3	1.45	161	41	8.63	1.2	1.60	184	36	7.55	1.1	1.45	197	33	7.04	1.1	1.50	226	29	6.15	1.1	1.70	241	27	5.76	1.1	1.75	273	24	5.09	1.1	1.95	308	21	4.51	1.0	2.00	363	18	3.83	1.0	2.30																																																																																																																																																																																																																																												
14	485	98.99	5.9	0.90			15	439	89.71	6.7	0.95	17	394	80.55	6.9	1.10	20	339	69.23	7.1	1.25			21	317	64.85	7.1	1.35			24	280	57.29	6.9	1.50			26	261	53.22	6.7	1.65			29	236	48.23	6.6	1.80			32	212	43.30	6.4	2.00			37	183	37.30	6.2	2.30	40	172	35.07	6.1	2.50	46	148	30.18	5.8	2.90	52	132	26.97	5.6	3.20	53	129	26.31	5.6	3.30	56	122	24.99	5.5	3.50	63	107	21.93	5.3	4.00	75	91	18.60	5.1	4.70	26	258	52.69	5.2	1.10	GR49 GRF49	4P	29	234	47.75	5.1	1.20			38	181	36.93	4.8	1.55	40	170	34.73	4.7	1.65	47	146	29.88	4.6	1.95	52	131			26.70	4.4	2.20	61	112	22.81	4.3	2.50	52	131	26.74	4.4	2.20	GR39 GRF39	4P	60	114	23.28	4.3	2.50			64	107	21.81	4.2	2.70	72	94	19.27	4.1	3.00	78	88	17.89	4.0	3.10	86	79	16.22	3.9	3.30	29			228	48.08	2.2	0.80	GR39 GRF39	4P	31	212	44.81	4.0	0.85			35	186	39.17	4.5	1.00	38	174	36.72	4.5	1.05	43	154	32.40	4.4	1.20	48	136	28.73	4.3	1.35	57	116	24.42	4.1	1.60			62	106	22.27	4.0	1.75	72	92	19.31	3.9	2.00	77	86	18.05	3.8	2.10	89	74	15.60	3.7	2.50	105	63	13.25	3.5	2.80	117	56	11.83	3.4	3.00	137	48	10.11	3.2	3.20	147	45	9.47	3.2	3.40	48	136	28.78	2.7	0.85	GR29 GRF29	4P	57	116	24.47	2.7	1.00			62	106	22.32	2.6	1.10	72	92	19.35	2.5	1.30	77	86	18.08	2.5	1.40	89	74	15.63	2.4	1.60	105	63	13.28	2.3	1.90	117	56	11.86	2.3			2.10	137	48	10.13	2.2	2.30	148	45	9.41	2.1	2.50	170	39	8.16	2.0	2.70	182	36	7.63	2.0	2.80	211	31	6.59	1.9	3.10	248	27	5.60	1.8	3.40	278	24	5.00	1.8	3.70	71	93	19.71	0.4	0.85	82	81	16.99	1.3	0.95	88	75	15.84	1.3	1.05	100	66	13.84	1.3	1.20	107	62	12.98	1.3	1.25	121	54	11.45	1.3	1.35	137	48	10.15	1.3	1.45	161	41	8.63	1.2	1.60	184	36	7.55	1.1	1.45	197	33	7.04	1.1	1.50	226	29	6.15	1.1	1.70	241	27	5.76	1.1	1.75	273	24	5.09	1.1	1.95	308	21	4.51	1.0	2.00	363	18	3.83	1.0	2.30																																																																																																																																																																																																																																																			
15	439	89.71	6.7	0.95			17	394	80.55	6.9	1.10	20	339	69.23	7.1	1.25	21	317	64.85	7.1	1.35			24	280	57.29	6.9	1.50			26	261	53.22	6.7	1.65			29	236	48.23	6.6	1.80			32	212	43.30	6.4	2.00			37	183	37.30	6.2	2.30	40	172	35.07	6.1	2.50	46	148	30.18	5.8	2.90	52	132	26.97	5.6	3.20	53	129	26.31	5.6	3.30	56	122	24.99	5.5	3.50	63	107	21.93	5.3	4.00	75	91	18.60	5.1	4.70	26	258	52.69	5.2	1.10	GR49 GRF49	4P	29	234	47.75	5.1	1.20			38	181	36.93	4.8	1.55			40	170	34.73	4.7	1.65	47	146	29.88	4.6	1.95	52	131	26.70	4.4	2.20	61	112	22.81	4.3	2.50	52	131	26.74	4.4	2.20	GR39 GRF39	4P	60	114	23.28	4.3	2.50			64	107	21.81	4.2	2.70			72	94	19.27	4.1	3.00	78	88	17.89	4.0	3.10	86	79	16.22	3.9	3.30	29	228	48.08	2.2	0.80	GR39 GRF39	4P	31	212	44.81	4.0	0.85			35	186	39.17	4.5	1.00			38	174	36.72	4.5	1.05	43	154	32.40	4.4	1.20	48	136	28.73	4.3	1.35	57	116	24.42	4.1	1.60	62	106	22.27	4.0	1.75	72	92	19.31	3.9	2.00	77	86	18.05	3.8	2.10	89	74	15.60	3.7	2.50	105	63	13.25	3.5	2.80	117	56	11.83	3.4	3.00	137	48	10.11	3.2	3.20	147	45	9.47	3.2	3.40	48	136	28.78	2.7	0.85	GR29 GRF29	4P	57	116	24.47	2.7	1.00			62	106	22.32	2.6	1.10			72	92	19.35	2.5	1.30	77	86	18.08	2.5	1.40	89	74	15.63	2.4	1.60	105	63	13.28	2.3	1.90	117	56	11.86	2.3	2.10	137	48	10.13	2.2	2.30	148	45	9.41	2.1	2.50	170	39	8.16	2.0	2.70	182	36	7.63	2.0	2.80	211	31	6.59	1.9	3.10	248	27	5.60	1.8	3.40	278	24	5.00	1.8	3.70	71	93	19.71	0.4	0.85	82	81	16.99	1.3	0.95	88	75	15.84	1.3	1.05	100	66	13.84	1.3	1.20	107	62	12.98	1.3	1.25	121	54	11.45	1.3	1.35	137	48	10.15	1.3	1.45	161	41	8.63	1.2	1.60	184	36	7.55	1.1	1.45	197	33	7.04	1.1	1.50	226	29	6.15	1.1	1.70	241	27	5.76	1.1	1.75	273	24	5.09	1.1	1.95	308	21	4.51	1.0	2.00	363	18	3.83	1.0	2.30																																																																																																																																																																																																																																																										
17	394	80.55	6.9	1.10			20	339	69.23	7.1	1.25	21	317	64.85	7.1	1.35	24	280	57.29	6.9	1.50			26	261	53.22	6.7	1.65			29	236	48.23	6.6	1.80			32	212	43.30	6.4	2.00			37	183	37.30	6.2	2.30	40	172	35.07	6.1	2.50	46	148	30.18	5.8	2.90	52	132	26.97	5.6	3.20	53	129	26.31	5.6	3.30	56	122	24.99	5.5	3.50	63	107	21.93	5.3	4.00	75	91	18.60	5.1	4.70	26	258	52.69	5.2	1.10	GR49 GRF49	4P	29	234	47.75	5.1	1.20			38	181	36.93	4.8	1.55			40	170	34.73	4.7	1.65			47	146	29.88	4.6	1.95	52	131	26.70	4.4	2.20	61	112	22.81	4.3	2.50	52	131	26.74	4.4	2.20	GR39 GRF39	4P	60	114	23.28			4.3	2.50	64	107	21.81			4.2	2.70	72	94	19.27			4.1	3.00	78	88	17.89	4.0	3.10	86	79	16.22	3.9	3.30	29	228	48.08	2.2	0.80	GR39 GRF39	4P	31			212	44.81	4.0	0.85	35			186	39.17	4.5	1.00	38			174	36.72	4.5	1.05	43	154	32.40	4.4	1.20	48	136	28.73	4.3	1.35	57	116	24.42	4.1	1.60	62	106	22.27	4.0	1.75	72	92	19.31	3.9	2.00	77	86	18.05	3.8	2.10	89	74	15.60	3.7	2.50	105	63	13.25	3.5	2.80	117	56	11.83	3.4	3.00	137	48	10.11	3.2	3.20	147	45	9.47	3.2	3.40	48	136	28.78	2.7	0.85	GR29 GRF29			4P	57	116	24.47	2.7			1.00	62	106	22.32	2.6			1.10	72	92	19.35	2.5	1.30	77	86	18.08	2.5	1.40	89	74	15.63	2.4	1.60	105	63	13.28	2.3	1.90	117	56	11.86	2.3	2.10	137	48	10.13	2.2	2.30	148	45	9.41	2.1	2.50	170	39	8.16	2.0	2.70	182	36	7.63	2.0	2.80	211	31	6.59	1.9	3.10	248	27	5.60	1.8	3.40	278	24	5.00	1.8	3.70	71	93	19.71	0.4	0.85	82	81	16.99	1.3	0.95	88	75	15.84	1.3	1.05	100	66	13.84	1.3	1.20	107	62	12.98	1.3	1.25	121	54	11.45	1.3	1.35	137	48	10.15	1.3	1.45	161	41	8.63	1.2	1.60	184	36	7.55	1.1	1.45	197	33	7.04	1.1	1.50	226	29	6.15	1.1	1.70	241	27	5.76	1.1	1.75	273	24	5.09	1.1	1.95	308	21	4.51	1.0	2.00	363	18	3.83	1.0	2.30																																																																																																																																																																																																																																																									
20	339	69.23	7.1	1.25			21	317	64.85	7.1	1.35	24	280	57.29	6.9	1.50	26	261	53.22	6.7	1.65			29	236	48.23	6.6	1.80			32	212	43.30	6.4	2.00			37	183	37.30	6.2	2.30	40	172	35.07	6.1	2.50	46	148	30.18	5.8	2.90	52	132	26.97	5.6	3.20	53	129	26.31	5.6	3.30	56	122	24.99	5.5	3.50	63	107	21.93	5.3	4.00	75	91	18.60	5.1	4.70	26	258	52.69	5.2	1.10	GR49 GRF49	4P	29	234	47.75	5.1	1.20			38	181	36.93	4.8	1.55			40	170	34.73	4.7	1.65			47	146	29.88	4.6	1.95			52	131	26.70	4.4	2.20	61	112	22.81	4.3	2.50	52	131	26.74	4.4	2.20	GR39 GRF39	4P	60	114	23.28			4.3	2.50	64			107	21.81	4.2	2.70	72			94	19.27	4.1	3.00	78			88	17.89	4.0	3.10	86	79	16.22	3.9	3.30	29	228	48.08	2.2	0.80	GR39 GRF39	4P	31			212			44.81	4.0	0.85	35	186			39.17	4.5	1.00	38	174			36.72	4.5	1.05	43	154	32.40	4.4	1.20	48	136	28.73	4.3	1.35	57	116	24.42	4.1	1.60	62	106	22.27	4.0	1.75	72	92	19.31	3.9	2.00	77	86	18.05	3.8	2.10	89	74	15.60	3.7	2.50	105	63	13.25	3.5	2.80	117	56	11.83	3.4	3.00	137	48	10.11	3.2	3.20	147	45	9.47	3.2	3.40	48	136	28.78	2.7	0.85	GR29 GRF29					4P	57	116	24.47			2.7	1.00	62	106	22.32			2.6	1.10	72	92	19.35	2.5	1.30	77	86	18.08	2.5	1.40	89	74	15.63	2.4	1.60	105	63	13.28	2.3	1.90	117	56	11.86	2.3	2.10	137	48	10.13	2.2	2.30	148	45	9.41	2.1	2.50	170	39	8.16	2.0	2.70	182	36	7.63	2.0	2.80	211	31	6.59	1.9	3.10	248	27	5.60	1.8	3.40	278	24	5.00	1.8	3.70	71	93	19.71	0.4	0.85	82	81	16.99	1.3	0.95	88	75	15.84	1.3	1.05	100	66	13.84	1.3	1.20	107	62	12.98	1.3	1.25	121	54	11.45	1.3	1.35	137	48	10.15	1.3	1.45	161	41	8.63	1.2	1.60	184	36	7.55	1.1	1.45	197	33	7.04	1.1	1.50	226	29	6.15	1.1	1.70	241	27	5.76	1.1	1.75	273	24	5.09	1.1	1.95	308	21	4.51	1.0	2.00	363	18	3.83	1.0	2.30																																																																																																																																																																																																																																																								
21	317	64.85	7.1	1.35			24	280	57.29	6.9	1.50	26	261	53.22	6.7	1.65	29	236	48.23	6.6	1.80			32	212	43.30	6.4	2.00			37	183	37.30	6.2	2.30	40	172	35.07	6.1	2.50	46	148	30.18	5.8	2.90	52	132	26.97	5.6	3.20	53	129	26.31	5.6	3.30	56	122	24.99	5.5	3.50	63	107	21.93	5.3	4.00	75	91	18.60	5.1	4.70	26	258	52.69	5.2	1.10	GR49 GRF49	4P	29	234	47.75	5.1	1.20			38	181	36.93	4.8	1.55			40	170	34.73	4.7	1.65			47	146	29.88	4.6	1.95			52	131	26.70	4.4	2.20	61	112	22.81	4.3	2.50	52	131	26.74	4.4	2.20	GR39 GRF39	4P	60	114	23.28	4.3	2.50			64	107	21.81			4.2	2.70	72			94	19.27	4.1	3.00	78			88	17.89	4.0	3.10	86	79	16.22	3.9	3.30	29	228	48.08	2.2	0.80	GR39 GRF39	4P	31	212	44.81	4.0	0.85			35			186			39.17	4.5	1.00	38	174			36.72	4.5	1.05	43	154	32.40	4.4	1.20	48	136	28.73	4.3	1.35	57	116	24.42	4.1	1.60	62	106	22.27	4.0	1.75	72	92	19.31	3.9	2.00	77	86	18.05	3.8	2.10	89	74	15.60	3.7	2.50	105	63	13.25	3.5	2.80	117	56	11.83	3.4	3.00	137	48	10.11	3.2	3.20	147	45	9.47	3.2	3.40	48	136	28.78	2.7	0.85	GR29 GRF29	4P	57	116	24.47	2.7	1.00							62	106	22.32			2.6	1.10	72	92	19.35	2.5	1.30	77	86	18.08	2.5	1.40	89	74	15.63	2.4	1.60	105	63	13.28	2.3	1.90	117	56	11.86	2.3	2.10	137	48	10.13	2.2	2.30	148	45	9.41	2.1	2.50	170	39	8.16	2.0	2.70	182	36	7.63	2.0	2.80	211	31	6.59	1.9	3.10	248	27	5.60	1.8	3.40	278	24	5.00	1.8	3.70	71	93	19.71	0.4	0.85	82	81	16.99	1.3	0.95	88	75	15.84	1.3	1.05	100	66	13.84	1.3	1.20	107	62	12.98	1.3	1.25	121	54	11.45	1.3	1.35	137	48	10.15	1.3	1.45	161	41	8.63	1.2	1.60	184	36	7.55	1.1	1.45	197	33	7.04	1.1	1.50	226	29	6.15	1.1	1.70	241	27	5.76	1.1	1.75	273	24	5.09	1.1	1.95	308	21	4.51	1.0	2.00	363	18	3.83	1.0	2.30																																																																																																																																																																																																																																																															
24	280	57.29	6.9	1.50			26	261	53.22	6.7	1.65	29	236	48.23	6.6	1.80	32	212	43.30	6.4	2.00			37	183	37.30	6.2	2.30	40	172	35.07	6.1	2.50	46	148	30.18	5.8	2.90	52	132	26.97	5.6	3.20	53	129	26.31	5.6	3.30	56	122	24.99	5.5	3.50	63	107	21.93	5.3	4.00	75	91	18.60	5.1	4.70	26	258	52.69	5.2	1.10	GR49 GRF49	4P	29	234	47.75	5.1	1.20			38	181	36.93	4.8	1.55			40	170	34.73	4.7	1.65			47	146	29.88	4.6	1.95			52	131	26.70	4.4	2.20	61	112	22.81	4.3	2.50	52	131	26.74	4.4	2.20	GR39 GRF39	4P	60	114	23.28	4.3	2.50			64	107	21.81	4.2	2.70			72	94	19.27			4.1	3.00	78			88	17.89	4.0	3.10	86	79	16.22	3.9	3.30	29	228	48.08	2.2	0.80	GR39 GRF39	4P	31	212	44.81	4.0	0.85			35	186	39.17	4.5	1.00			38			174			36.72	4.5	1.05	43	154	32.40	4.4	1.20	48	136	28.73	4.3	1.35	57	116	24.42	4.1	1.60	62	106	22.27	4.0	1.75	72	92	19.31	3.9	2.00	77	86	18.05	3.8	2.10	89	74	15.60	3.7	2.50	105	63	13.25	3.5	2.80	117	56	11.83	3.4	3.00	137	48	10.11	3.2	3.20	147	45	9.47	3.2	3.40	48	136	28.78	2.7	0.85	GR29 GRF29	4P	57	116	24.47	2.7	1.00			62	106	22.32	2.6	1.10							72	92	19.35	2.5	1.30	77	86	18.08	2.5	1.40	89	74	15.63	2.4	1.60	105	63	13.28	2.3	1.90	117	56	11.86	2.3	2.10	137	48	10.13	2.2	2.30	148	45	9.41	2.1	2.50	170	39	8.16	2.0	2.70	182	36	7.63	2.0	2.80	211	31	6.59	1.9	3.10	248	27	5.60	1.8	3.40	278	24	5.00	1.8	3.70	71	93	19.71	0.4	0.85	82	81	16.99	1.3	0.95	88	75	15.84	1.3	1.05	100	66	13.84	1.3	1.20	107	62	12.98	1.3	1.25	121	54	11.45	1.3	1.35	137	48	10.15	1.3	1.45	161	41	8.63	1.2	1.60	184	36	7.55	1.1	1.45	197	33	7.04	1.1	1.50	226	29	6.15	1.1	1.70	241	27	5.76	1.1	1.75	273	24	5.09	1.1	1.95	308	21	4.51	1.0	2.00	363	18	3.83	1.0	2.30																																																																																																																																																																																																																																																																						
26	261	53.22	6.7	1.65			29	236	48.23	6.6	1.80	32	212	43.30	6.4	2.00	37	183	37.30	6.2	2.30	40	172	35.07	6.1	2.50	46	148	30.18	5.8	2.90	52	132	26.97	5.6	3.20	53	129	26.31	5.6	3.30	56	122	24.99	5.5	3.50	63	107	21.93	5.3	4.00	75	91	18.60	5.1	4.70	26	258	52.69	5.2	1.10	GR49 GRF49	4P	29	234	47.75	5.1	1.20			38	181	36.93	4.8	1.55			40	170	34.73	4.7	1.65			47	146	29.88	4.6	1.95			52	131	26.70	4.4	2.20	61	112	22.81	4.3	2.50	52	131	26.74	4.4	2.20	GR39 GRF39	4P	60	114	23.28	4.3	2.50			64	107	21.81	4.2	2.70			72	94	19.27	4.1	3.00			78	88	17.89			4.0	3.10	86	79	16.22	3.9	3.30	29	228	48.08	2.2	0.80	GR39 GRF39	4P	31	212	44.81	4.0	0.85			35	186	39.17	4.5	1.00			38	174	36.72	4.5	1.05			43			154	32.40	4.4	1.20	48	136	28.73	4.3	1.35	57	116	24.42	4.1	1.60	62	106	22.27	4.0	1.75	72	92	19.31	3.9	2.00	77	86	18.05	3.8	2.10	89	74	15.60	3.7	2.50	105	63	13.25	3.5	2.80	117	56	11.83	3.4	3.00	137	48	10.11	3.2	3.20	147	45	9.47	3.2	3.40	48	136	28.78	2.7	0.85	GR29 GRF29	4P	57	116	24.47	2.7	1.00			62	106	22.32	2.6	1.10			72	92	19.35	2.5	1.30			77	86			18.08	2.5	1.40	89	74	15.63	2.4	1.60	105	63	13.28	2.3	1.90	117	56	11.86	2.3	2.10	137	48	10.13	2.2	2.30	148	45	9.41	2.1	2.50	170	39	8.16	2.0	2.70	182	36	7.63	2.0	2.80	211	31	6.59	1.9	3.10	248	27	5.60	1.8	3.40	278	24	5.00	1.8	3.70	71	93	19.71	0.4	0.85	82	81	16.99	1.3	0.95	88	75	15.84	1.3	1.05	100	66	13.84	1.3	1.20	107	62	12.98	1.3	1.25	121	54	11.45	1.3	1.35	137	48	10.15	1.3	1.45	161	41	8.63	1.2	1.60	184	36	7.55	1.1	1.45	197	33	7.04	1.1	1.50	226	29	6.15	1.1	1.70	241	27	5.76	1.1	1.75	273	24	5.09	1.1	1.95	308	21	4.51	1.0	2.00	363	18	3.83	1.0	2.30																																																																																																																																																																																																																																																																													
29	236	48.23	6.6	1.80			32	212	43.30	6.4	2.00	37	183	37.30	6.2	2.30	40	172	35.07	6.1	2.50	46	148	30.18	5.8	2.90	52	132	26.97	5.6	3.20	53	129	26.31	5.6	3.30	56	122	24.99	5.5	3.50	63	107	21.93	5.3	4.00	75	91	18.60	5.1	4.70	26	258	52.69	5.2	1.10	GR49 GRF49	4P	29	234	47.75			5.1	1.20	38	181	36.93			4.8	1.55	40	170	34.73			4.7	1.65	47	146	29.88			4.6	1.95	52	131	26.70	4.4	2.20	61	112	22.81	4.3	2.50	52	131	26.74	4.4	2.20	GR39 GRF39	4P	60	114	23.28			4.3	2.50	64	107	21.81			4.2	2.70	72	94	19.27			4.1	3.00	78	88	17.89			4.0	3.10	86	79	16.22	3.9	3.30	29	228	48.08	2.2	0.80	GR39 GRF39	4P	31	212	44.81			4.0	0.85	35	186	39.17			4.5	1.00	38	174	36.72			4.5	1.05	43	154	32.40			4.4	1.20	48	136	28.73	4.3	1.35	57	116	24.42	4.1	1.60	62	106	22.27	4.0	1.75	72	92	19.31	3.9	2.00	77	86	18.05	3.8	2.10	89	74	15.60	3.7	2.50	105	63	13.25	3.5	2.80	117	56	11.83	3.4	3.00	137	48	10.11	3.2	3.20	147	45	9.47	3.2	3.40	48	136	28.78	2.7	0.85	GR29 GRF29	4P	57	116	24.47			2.7	1.00	62	106	22.32			2.6	1.10	72	92	19.35			2.5	1.30	77	86	18.08		2.5	1.40	89	74		15.63	2.4	1.60	105	63	13.28	2.3	1.90	117	56	11.86	2.3	2.10	137	48	10.13	2.2	2.30	148	45	9.41	2.1	2.50	170	39	8.16	2.0	2.70	182	36	7.63	2.0	2.80	211	31	6.59	1.9	3.10	248	27	5.60	1.8	3.40	278	24	5.00	1.8	3.70	71	93	19.71	0.4	0.85	82	81	16.99	1.3	0.95	88	75	15.84	1.3	1.05	100	66	13.84	1.3	1.20	107	62	12.98	1.3	1.25	121	54	11.45	1.3	1.35	137	48	10.15	1.3	1.45	161	41	8.63	1.2	1.60	184	36	7.55	1.1	1.45	197	33	7.04	1.1	1.50	226	29	6.15	1.1	1.70	241	27	5.76	1.1	1.75	273	24	5.09	1.1	1.95	308	21	4.51	1.0	2.00	363	18	3.83	1.0	2.30																																																																																																																																																																																																																																																																																		
32	212	43.30	6.4	2.00																																																																																																																																																																																																																																																																																																																																																																																																																																																																																																																																																																																																																																																																											
37	183	37.30	6.2	2.30																																																																																																																																																																																																																																																																																																																																																																																																																																																																																																																																																																																																																																																																											
40	172	35.07	6.1	2.50																																																																																																																																																																																																																																																																																																																																																																																																																																																																																																																																																																																																																																																																											
46	148	30.18	5.8	2.90																																																																																																																																																																																																																																																																																																																																																																																																																																																																																																																																																																																																																																																																											
52	132	26.97	5.6	3.20																																																																																																																																																																																																																																																																																																																																																																																																																																																																																																																																																																																																																																																																											
53	129	26.31	5.6	3.30																																																																																																																																																																																																																																																																																																																																																																																																																																																																																																																																																																																																																																																																											
56	122	24.99	5.5	3.50																																																																																																																																																																																																																																																																																																																																																																																																																																																																																																																																																																																																																																																																											
63	107	21.93	5.3	4.00																																																																																																																																																																																																																																																																																																																																																																																																																																																																																																																																																																																																																																																																											
75	91	18.60	5.1	4.70																																																																																																																																																																																																																																																																																																																																																																																																																																																																																																																																																																																																																																																																											
26	258	52.69	5.2	1.10	GR49 GRF49	4P	29	234	47.75	5.1	1.20	38	181	36.93	4.8	1.55	40	170	34.73	4.7	1.65	47	146	29.88	4.6	1.95	52	131	26.70	4.4	2.20	61	112	22.81	4.3	2.50	52	131	26.74	4.4	2.20	GR39 GRF39	4P	60	114	23.28	4.3	2.50	64	107	21.81	4.2	2.70	72	94	19.27	4.1	3.00	78	88	17.89	4.0	3.10	86	79	16.22	3.9	3.30	29	228	48.08	2.2	0.80	GR39 GRF39	4P	31	212	44.81	4.0	0.85	35	186	39.17	4.5	1.00	38	174	36.72	4.5	1.05	43	154	32.40	4.4	1.20	48	136	28.73	4.3	1.35	57	116	24.42	4.1	1.60	62	106	22.27	4.0	1.75	72	92	19.31	3.9	2.00	77	86	18.05	3.8	2.10	89	74	15.60	3.7	2.50	105	63	13.25	3.5	2.80	117	56	11.83	3.4	3.00	137	48	10.11	3.2	3.20	147	45	9.47	3.2	3.40	48	136	28.78	2.7	0.85	GR29 GRF29	4P	57	116	24.47	2.7	1.00	62	106	22.32	2.6	1.10	72	92	19.35	2.5	1.30	77	86	18.08	2.5	1.40	89	74	15.63	2.4	1.60	105	63	13.28	2.3	1.90	117	56	11.86	2.3	2.10	137	48	10.13	2.2	2.30	148	45	9.41	2.1	2.50	170	39	8.16	2.0	2.70	182	36	7.63	2.0	2.80	211	31	6.59	1.9	3.10	248	27	5.60	1.8	3.40	278	24	5.00	1.8	3.70	71	93	19.71	0.4	0.85	82	81	16.99	1.3	0.95	88	75	15.84	1.3	1.05	100	66	13.84	1.3	1.20	107	62	12.98	1.3	1.25	121	54	11.45	1.3	1.35	137	48	10.15	1.3	1.45	161	41	8.63	1.2	1.60	184	36	7.55	1.1	1.45	197	33	7.04	1.1	1.50	226	29	6.15	1.1	1.70	241	27	5.76	1.1	1.75	273	24	5.09	1.1	1.95	308	21	4.51	1.0	2.00	363	18	3.83	1.0	2.30																																																																																																																																																																																																																																																																																																																																																																						
29	234	47.75	5.1	1.20			38	181	36.93	4.8	1.55	40	170	34.73	4.7	1.65	47	146	29.88	4.6	1.95	52	131	26.70	4.4	2.20	61	112	22.81	4.3	2.50	52	131	26.74	4.4	2.20	GR39 GRF39	4P	60	114	23.28			4.3	2.50	64	107	21.81	4.2	2.70	72	94	19.27	4.1	3.00	78	88	17.89	4.0	3.10	86	79	16.22	3.9	3.30	29	228	48.08	2.2	0.80	GR39 GRF39	4P	31			212	44.81	4.0	0.85	35	186	39.17	4.5	1.00	38	174	36.72	4.5	1.05	43	154	32.40	4.4	1.20	48	136	28.73	4.3	1.35	57	116	24.42	4.1	1.60	62	106	22.27	4.0	1.75	72	92	19.31	3.9	2.00	77	86	18.05	3.8	2.10	89	74	15.60	3.7	2.50	105	63	13.25	3.5	2.80	117	56	11.83	3.4	3.00	137	48	10.11	3.2	3.20	147	45	9.47	3.2	3.40	48	136	28.78	2.7	0.85	GR29 GRF29			4P	57	116	24.47	2.7	1.00	62	106	22.32	2.6	1.10	72	92	19.35	2.5	1.30	77	86	18.08	2.5	1.40	89	74	15.63	2.4	1.60	105	63	13.28	2.3	1.90	117	56	11.86	2.3	2.10	137	48	10.13	2.2	2.30	148	45	9.41	2.1	2.50	170	39	8.16	2.0	2.70	182	36	7.63	2.0	2.80	211	31	6.59	1.9	3.10	248	27	5.60	1.8	3.40	278	24	5.00	1.8	3.70	71	93	19.71	0.4	0.85	82	81	16.99	1.3	0.95	88	75	15.84	1.3	1.05	100	66	13.84	1.3	1.20	107	62	12.98	1.3	1.25	121	54	11.45	1.3	1.35	137	48	10.15	1.3	1.45	161	41	8.63	1.2	1.60	184	36	7.55	1.1	1.45	197	33	7.04	1.1	1.50	226	29	6.15	1.1	1.70	241	27	5.76	1.1	1.75	273	24	5.09	1.1	1.95	308	21	4.51	1.0	2.00	363	18	3.83	1.0	2.30																																																																																																																																																																																																																																																																																																																																																																					
38	181	36.93	4.8	1.55			40	170	34.73	4.7	1.65	47	146	29.88	4.6	1.95	52	131	26.70	4.4	2.20	61	112	22.81	4.3	2.50	52	131	26.74	4.4	2.20	GR39 GRF39	4P	60	114	23.28			4.3	2.50	64			107	21.81	4.2	2.70	72	94	19.27	4.1	3.00	78	88	17.89	4.0	3.10	86	79	16.22	3.9	3.30	29	228	48.08	2.2	0.80	GR39 GRF39	4P	31			212			44.81	4.0	0.85	35	186	39.17	4.5	1.00	38	174	36.72	4.5	1.05	43	154	32.40	4.4	1.20	48	136	28.73	4.3	1.35	57	116	24.42	4.1	1.60	62	106	22.27	4.0	1.75	72	92	19.31	3.9	2.00	77	86	18.05	3.8	2.10	89	74	15.60	3.7	2.50	105	63	13.25	3.5	2.80	117	56	11.83	3.4	3.00	137	48	10.11	3.2	3.20	147	45	9.47	3.2	3.40	48	136	28.78	2.7	0.85	GR29 GRF29					4P	57	116	24.47	2.7	1.00	62	106	22.32	2.6	1.10	72	92	19.35	2.5	1.30	77	86	18.08	2.5	1.40	89	74	15.63	2.4	1.60	105	63	13.28	2.3	1.90	117	56	11.86	2.3	2.10	137	48	10.13	2.2	2.30	148	45	9.41	2.1	2.50	170	39	8.16	2.0	2.70	182	36	7.63	2.0	2.80	211	31	6.59	1.9	3.10	248	27	5.60	1.8	3.40	278	24	5.00	1.8	3.70	71	93	19.71	0.4	0.85	82	81	16.99	1.3	0.95	88	75	15.84	1.3	1.05	100	66	13.84	1.3	1.20	107	62	12.98	1.3	1.25	121	54	11.45	1.3	1.35	137	48	10.15	1.3	1.45	161	41	8.63	1.2	1.60	184	36	7.55	1.1	1.45	197	33	7.04	1.1	1.50	226	29	6.15	1.1	1.70	241	27	5.76	1.1	1.75	273	24	5.09	1.1	1.95	308	21	4.51	1.0	2.00	363	18	3.83	1.0	2.30																																																																																																																																																																																																																																																																																																																																																																				
40	170	34.73	4.7	1.65			47	146	29.88	4.6	1.95	52	131	26.70	4.4	2.20	61	112	22.81	4.3	2.50	52	131	26.74	4.4	2.20	GR39 GRF39	4P	60	114	23.28			4.3	2.50	64			107	21.81	4.2			2.70	72	94	19.27	4.1	3.00	78	88	17.89	4.0	3.10	86	79	16.22	3.9	3.30	29	228	48.08	2.2	0.80	GR39 GRF39	4P	31			212			44.81			4.0	0.85	35	186	39.17	4.5	1.00	38	174	36.72	4.5	1.05	43	154	32.40	4.4	1.20	48	136	28.73	4.3	1.35	57	116	24.42	4.1	1.60	62	106	22.27	4.0	1.75	72	92	19.31	3.9	2.00	77	86	18.05	3.8	2.10	89	74	15.60	3.7	2.50	105	63	13.25	3.5	2.80	117	56	11.83	3.4	3.00	137	48	10.11	3.2	3.20	147	45	9.47	3.2	3.40	48	136	28.78	2.7	0.85	GR29 GRF29							4P	57	116	24.47	2.7	1.00	62	106	22.32	2.6	1.10	72	92	19.35	2.5	1.30	77	86	18.08	2.5	1.40	89	74	15.63	2.4	1.60	105	63	13.28	2.3	1.90	117	56	11.86	2.3	2.10	137	48	10.13	2.2	2.30	148	45	9.41	2.1	2.50	170	39	8.16	2.0	2.70	182	36	7.63	2.0	2.80	211	31	6.59	1.9	3.10	248	27	5.60	1.8	3.40	278	24	5.00	1.8	3.70	71	93	19.71	0.4	0.85	82	81	16.99	1.3	0.95	88	75	15.84	1.3	1.05	100	66	13.84	1.3	1.20	107	62	12.98	1.3	1.25	121	54	11.45	1.3	1.35	137	48	10.15	1.3	1.45	161	41	8.63	1.2	1.60	184	36	7.55	1.1	1.45	197	33	7.04	1.1	1.50	226	29	6.15	1.1	1.70	241	27	5.76	1.1	1.75	273	24	5.09	1.1	1.95	308	21	4.51	1.0	2.00	363	18	3.83	1.0	2.30																																																																																																																																																																																																																																																																																																																																																																			
47	146	29.88	4.6	1.95																																																																																																																																																																																																																																																																																																																																																																																																																																																																																																																																																																																																																																																																											
52	131	26.70	4.4	2.20																																																																																																																																																																																																																																																																																																																																																																																																																																																																																																																																																																																																																																																																											
61	112	22.81	4.3	2.50																																																																																																																																																																																																																																																																																																																																																																																																																																																																																																																																																																																																																																																																											
52	131	26.74	4.4	2.20	GR39 GRF39	4P	60	114	23.28	4.3	2.50	64	107	21.81	4.2	2.70	72	94	19.27	4.1	3.00	78	88	17.89	4.0	3.10			86	79	16.22	3.9	3.30	29	228	48.08	2.2	0.80	GR39 GRF39	4P	31	212	44.81	4.0	0.85	35	186	39.17	4.5	1.00	38	174	36.72	4.5	1.05	43	154	32.40	4.4	1.20	48	136	28.73	4.3			1.35	57	116	24.42	4.1	1.60	62	106	22.27	4.0	1.75	72	92	19.31	3.9	2.00	77	86	18.05	3.8	2.10	89	74	15.60	3.7	2.50	105	63	13.25	3.5	2.80	117	56	11.83	3.4	3.00	137	48	10.11	3.2	3.20	147	45	9.47	3.2	3.40	48	136	28.78	2.7	0.85	GR29 GRF29	4P	57	116	24.47	2.7	1.00	62	106	22.32	2.6	1.10	72	92	19.35	2.5	1.30	77	86	18.08	2.5	1.40	89	74	15.63	2.4	1.60	105	63	13.28		2.3	1.90	117	56	11.86	2.3		2.10	137	48	10.13	2.2	2.30	148	45	9.41	2.1	2.50	170	39	8.16	2.0	2.70	182	36	7.63	2.0	2.80	211	31	6.59	1.9	3.10	248	27	5.60	1.8	3.40	278	24	5.00	1.8	3.70	71	93	19.71	0.4	0.85	82	81	16.99	1.3	0.95	88	75	15.84	1.3	1.05	100	66	13.84	1.3	1.20	107	62	12.98	1.3	1.25	121	54	11.45	1.3	1.35	137	48	10.15	1.3	1.45	161	41	8.63	1.2	1.60	184	36	7.55	1.1	1.45	197	33	7.04	1.1	1.50	226	29	6.15	1.1	1.70	241	27	5.76	1.1	1.75	273	24	5.09	1.1	1.95	308	21	4.51	1.0	2.00	363	18	3.83	1.0	2.30																																																																																																																																																																																																																																																																																																																																																																																																					
60	114	23.28	4.3	2.50			64	107	21.81	4.2	2.70	72	94	19.27	4.1	3.00	78	88	17.89	4.0	3.10	86	79	16.22	3.9	3.30	29	228	48.08	2.2	0.80	GR39 GRF39	4P	31	212	44.81	4.0	0.85			35	186	39.17	4.5	1.00	38	174	36.72	4.5	1.05	43	154	32.40	4.4	1.20	48	136	28.73	4.3	1.35	57	116	24.42	4.1	1.60	62	106	22.27	4.0	1.75	72	92	19.31	3.9	2.00	77	86	18.05	3.8	2.10	89	74	15.60	3.7	2.50	105	63	13.25	3.5	2.80	117	56	11.83	3.4	3.00	137	48	10.11	3.2	3.20	147	45	9.47	3.2	3.40	48	136	28.78	2.7	0.85	GR29 GRF29	4P	57	116	24.47	2.7	1.00			62	106	22.32	2.6	1.10	72	92	19.35	2.5	1.30	77	86	18.08	2.5	1.40	89	74	15.63	2.4	1.60	105	63	13.28	2.3	1.90	117	56	11.86	2.3	2.10	137	48	10.13	2.2	2.30	148	45	9.41	2.1	2.50	170	39	8.16	2.0	2.70	182	36	7.63	2.0	2.80	211	31	6.59	1.9	3.10	248	27	5.60	1.8	3.40	278	24	5.00	1.8	3.70	71	93	19.71	0.4	0.85	82	81	16.99	1.3	0.95	88	75	15.84	1.3	1.05	100	66	13.84	1.3	1.20	107	62	12.98	1.3	1.25	121	54	11.45	1.3	1.35	137	48	10.15	1.3	1.45	161	41	8.63	1.2	1.60	184	36	7.55	1.1	1.45	197	33	7.04	1.1	1.50	226	29	6.15	1.1	1.70	241	27	5.76	1.1	1.75	273	24	5.09	1.1	1.95	308	21	4.51	1.0	2.00	363	18	3.83	1.0	2.30																																																																																																																																																																																																																																																																																																																																																																																																												
64	107	21.81	4.2	2.70			72	94	19.27	4.1	3.00	78	88	17.89	4.0	3.10	86	79	16.22	3.9	3.30	29	228	48.08	2.2	0.80	GR39 GRF39	4P	31	212	44.81			4.0	0.85	35	186	39.17			4.5	1.00	38	174	36.72	4.5	1.05	43	154	32.40	4.4	1.20	48	136	28.73	4.3	1.35	57	116	24.42	4.1	1.60	62	106	22.27	4.0	1.75	72	92	19.31	3.9	2.00	77	86	18.05	3.8	2.10	89	74	15.60	3.7	2.50	105	63	13.25	3.5	2.80	117	56	11.83	3.4	3.00	137	48	10.11	3.2	3.20	147	45	9.47	3.2	3.40	48	136	28.78	2.7	0.85	GR29 GRF29	4P	57			116	24.47	2.7	1.00	62			106	22.32	2.6	1.10	72	92	19.35	2.5	1.30	77	86	18.08	2.5	1.40	89	74	15.63	2.4	1.60	105	63	13.28	2.3	1.90	117	56	11.86	2.3	2.10	137	48	10.13	2.2	2.30	148	45	9.41	2.1	2.50	170	39	8.16	2.0	2.70	182	36	7.63	2.0	2.80	211	31	6.59	1.9	3.10	248	27	5.60	1.8	3.40	278	24	5.00	1.8	3.70	71	93	19.71	0.4	0.85	82	81	16.99	1.3	0.95	88	75	15.84	1.3	1.05	100	66	13.84	1.3	1.20	107	62	12.98	1.3	1.25	121	54	11.45	1.3	1.35	137	48	10.15	1.3	1.45	161	41	8.63	1.2	1.60	184	36	7.55	1.1	1.45	197	33	7.04	1.1	1.50	226	29	6.15	1.1	1.70	241	27	5.76	1.1	1.75	273	24	5.09	1.1	1.95	308	21	4.51	1.0	2.00	363	18	3.83	1.0	2.30																																																																																																																																																																																																																																																																																																																																																																																																													
72	94	19.27	4.1	3.00			78	88	17.89	4.0	3.10	86	79	16.22	3.9	3.30	29	228	48.08	2.2	0.80	GR39 GRF39	4P	31	212	44.81			4.0	0.85	35			186	39.17	4.5	1.00	38			174	36.72	4.5	1.05	43	154	32.40	4.4	1.20	48	136	28.73	4.3	1.35	57	116	24.42	4.1	1.60	62	106	22.27	4.0	1.75	72	92	19.31	3.9	2.00	77	86	18.05	3.8	2.10	89	74	15.60	3.7	2.50	105	63	13.25	3.5	2.80	117	56	11.83	3.4	3.00	137	48	10.11	3.2	3.20	147	45	9.47	3.2	3.40	48	136	28.78	2.7	0.85	GR29 GRF29	4P	57			116			24.47	2.7	1.00	62	106			22.32	2.6	1.10	72	92	19.35	2.5	1.30	77	86	18.08	2.5	1.40	89	74	15.63	2.4	1.60	105	63	13.28	2.3	1.90	117	56	11.86	2.3	2.10	137	48	10.13	2.2	2.30	148	45	9.41	2.1	2.50	170	39	8.16	2.0	2.70	182	36	7.63	2.0	2.80	211	31	6.59	1.9	3.10	248	27	5.60	1.8	3.40	278	24	5.00	1.8	3.70	71	93	19.71	0.4	0.85	82	81	16.99	1.3	0.95	88	75	15.84	1.3	1.05	100	66	13.84	1.3	1.20	107	62	12.98	1.3	1.25	121	54	11.45	1.3	1.35	137	48	10.15	1.3	1.45	161	41	8.63	1.2	1.60	184	36	7.55	1.1	1.45	197	33	7.04	1.1	1.50	226	29	6.15	1.1	1.70	241	27	5.76	1.1	1.75	273	24	5.09	1.1	1.95	308	21	4.51	1.0	2.00	363	18	3.83	1.0	2.30																																																																																																																																																																																																																																																																																																																																																																																																														
78	88	17.89	4.0	3.10																																																																																																																																																																																																																																																																																																																																																																																																																																																																																																																																																																																																																																																																											
86	79	16.22	3.9	3.30																																																																																																																																																																																																																																																																																																																																																																																																																																																																																																																																																																																																																																																																											
29	228	48.08	2.2	0.80	GR39 GRF39	4P	31	212	44.81	4.0	0.85	35	186	39.17	4.5	1.00	38	174	36.72	4.5	1.05			43	154	32.40			4.4	1.20	48	136	28.73	4.3	1.35	57	116	24.42	4.1	1.60	62	106	22.27	4.0	1.75	72	92	19.31	3.9	2.00	77	86	18.05	3.8	2.10	89	74	15.60	3.7	2.50	105	63	13.25	3.5	2.80	117	56	11.83	3.4	3.00	137	48	10.11	3.2	3.20	147	45	9.47	3.2	3.40	48	136	28.78	2.7	0.85	GR29 GRF29	4P	57	116	24.47	2.7	1.00	62	106	22.32	2.6	1.10	72	92	19.35	2.5	1.30	77	86			18.08			2.5	1.40	89	74	15.63	2.4	1.60	105	63	13.28	2.3	1.90	117	56	11.86	2.3	2.10	137	48	10.13	2.2	2.30	148	45	9.41	2.1	2.50	170	39	8.16	2.0	2.70	182	36	7.63	2.0	2.80	211	31	6.59	1.9	3.10	248	27	5.60	1.8	3.40	278	24	5.00	1.8	3.70	71	93	19.71	0.4	0.85	82	81	16.99	1.3	0.95	88	75	15.84	1.3	1.05	100	66	13.84	1.3	1.20	107	62	12.98	1.3	1.25	121	54	11.45	1.3	1.35	137	48	10.15	1.3	1.45	161	41	8.63	1.2	1.60	184	36	7.55	1.1	1.45	197	33	7.04	1.1	1.50	226	29	6.15	1.1	1.70	241	27	5.76	1.1	1.75	273	24	5.09	1.1	1.95	308	21	4.51	1.0	2.00	363	18	3.83	1.0	2.30																																																																																																																																																																																																																																																																																																																																																																																																																																			
31	212	44.81	4.0	0.85			35	186	39.17	4.5	1.00	38	174	36.72	4.5	1.05	43	154	32.40	4.4	1.20			48	136	28.73	4.3	1.35	57	116	24.42	4.1	1.60	62	106	22.27	4.0	1.75	72	92	19.31	3.9	2.00	77	86	18.05	3.8	2.10	89	74	15.60	3.7	2.50	105	63	13.25	3.5	2.80	117	56	11.83	3.4	3.00	137	48	10.11	3.2	3.20	147	45	9.47	3.2	3.40	48	136	28.78	2.7	0.85	GR29 GRF29	4P	57	116	24.47	2.7	1.00			62	106	22.32	2.6	1.10	72	92	19.35	2.5	1.30	77	86	18.08	2.5	1.40	89	74			15.63	2.4	1.60	105	63	13.28	2.3	1.90	117	56	11.86	2.3	2.10	137	48	10.13	2.2	2.30	148	45	9.41	2.1	2.50	170	39	8.16	2.0	2.70	182	36	7.63	2.0	2.80	211	31	6.59	1.9	3.10	248	27	5.60	1.8	3.40	278	24	5.00	1.8	3.70	71	93	19.71	0.4	0.85	82	81	16.99	1.3	0.95	88	75	15.84	1.3	1.05	100	66	13.84	1.3	1.20	107	62	12.98	1.3	1.25	121	54	11.45	1.3	1.35	137	48	10.15	1.3	1.45	161	41	8.63	1.2	1.60	184	36	7.55	1.1	1.45	197	33	7.04	1.1	1.50	226	29	6.15	1.1	1.70	241	27	5.76	1.1	1.75	273	24	5.09	1.1	1.95	308	21	4.51	1.0	2.00	363	18	3.83	1.0	2.30																																																																																																																																																																																																																																																																																																																																																																																																																																										
35	186	39.17	4.5	1.00			38	174	36.72	4.5	1.05	43	154	32.40	4.4	1.20	48	136	28.73	4.3	1.35	57	116	24.42	4.1	1.60	62	106	22.27	4.0	1.75	72	92	19.31	3.9	2.00	77	86	18.05	3.8	2.10	89	74	15.60	3.7	2.50	105	63	13.25	3.5	2.80	117	56	11.83	3.4	3.00	137	48	10.11	3.2	3.20	147	45	9.47	3.2	3.40	48	136	28.78	2.7	0.85	GR29 GRF29	4P	57	116	24.47	2.7	1.00			62	106	22.32	2.6	1.10			72	92	19.35	2.5	1.30	77	86	18.08	2.5	1.40	89	74	15.63	2.4	1.60	105	63	13.28	2.3	1.90	117	56	11.86	2.3	2.10	137	48	10.13	2.2	2.30	148	45	9.41	2.1	2.50	170	39	8.16	2.0	2.70	182	36	7.63	2.0	2.80	211	31	6.59	1.9	3.10	248	27	5.60	1.8	3.40	278	24	5.00	1.8	3.70	71	93	19.71	0.4	0.85	82	81	16.99	1.3	0.95	88	75	15.84	1.3	1.05	100	66	13.84	1.3	1.20	107	62	12.98	1.3	1.25	121	54	11.45	1.3	1.35	137	48	10.15	1.3	1.45	161	41	8.63	1.2	1.60	184	36	7.55	1.1	1.45	197	33	7.04	1.1	1.50	226	29	6.15	1.1	1.70	241	27	5.76	1.1	1.75	273	24	5.09	1.1	1.95	308	21	4.51	1.0	2.00	363	18	3.83	1.0	2.30																																																																																																																																																																																																																																																																																																																																																																																																																																																	
38	174	36.72	4.5	1.05			43	154	32.40	4.4	1.20	48	136	28.73	4.3	1.35	57	116	24.42	4.1	1.60	62	106	22.27	4.0	1.75	72	92	19.31	3.9	2.00	77	86	18.05	3.8	2.10	89	74	15.60	3.7	2.50	105	63	13.25	3.5	2.80	117	56	11.83	3.4	3.00	137	48	10.11	3.2	3.20	147	45	9.47	3.2	3.40	48	136	28.78	2.7	0.85	GR29 GRF29	4P	57	116	24.47			2.7	1.00	62	106	22.32			2.6	1.10	72	92	19.35			2.5	1.30	77	86	18.08	2.5	1.40	89	74	15.63	2.4	1.60	105	63	13.28	2.3	1.90	117	56	11.86	2.3	2.10	137	48	10.13	2.2	2.30	148	45	9.41	2.1	2.50	170	39	8.16	2.0	2.70	182	36	7.63	2.0	2.80	211	31	6.59	1.9	3.10	248	27	5.60	1.8	3.40	278	24	5.00	1.8	3.70	71	93	19.71	0.4	0.85	82	81	16.99	1.3	0.95	88	75	15.84	1.3	1.05	100	66	13.84	1.3	1.20	107	62	12.98	1.3	1.25	121	54	11.45	1.3	1.35	137	48	10.15	1.3	1.45	161	41	8.63	1.2	1.60	184	36	7.55	1.1	1.45	197	33	7.04	1.1	1.50	226	29	6.15	1.1	1.70	241	27	5.76	1.1	1.75	273	24	5.09	1.1	1.95	308	21	4.51	1.0	2.00	363	18	3.83	1.0	2.30																																																																																																																																																																																																																																																																																																																																																																																																																																																				
43	154	32.40	4.4	1.20																																																																																																																																																																																																																																																																																																																																																																																																																																																																																																																																																																																																																																																																											
48	136	28.73	4.3	1.35																																																																																																																																																																																																																																																																																																																																																																																																																																																																																																																																																																																																																																																																											
57	116	24.42	4.1	1.60																																																																																																																																																																																																																																																																																																																																																																																																																																																																																																																																																																																																																																																																											
62	106	22.27	4.0	1.75																																																																																																																																																																																																																																																																																																																																																																																																																																																																																																																																																																																																																																																																											
72	92	19.31	3.9	2.00																																																																																																																																																																																																																																																																																																																																																																																																																																																																																																																																																																																																																																																																											
77	86	18.05	3.8	2.10																																																																																																																																																																																																																																																																																																																																																																																																																																																																																																																																																																																																																																																																											
89	74	15.60	3.7	2.50																																																																																																																																																																																																																																																																																																																																																																																																																																																																																																																																																																																																																																																																											
105	63	13.25	3.5	2.80																																																																																																																																																																																																																																																																																																																																																																																																																																																																																																																																																																																																																																																																											
117	56	11.83	3.4	3.00																																																																																																																																																																																																																																																																																																																																																																																																																																																																																																																																																																																																																																																																											
137	48	10.11	3.2	3.20																																																																																																																																																																																																																																																																																																																																																																																																																																																																																																																																																																																																																																																																											
147	45	9.47	3.2	3.40																																																																																																																																																																																																																																																																																																																																																																																																																																																																																																																																																																																																																																																																											
48	136	28.78	2.7	0.85	GR29 GRF29	4P	57	116	24.47	2.7	1.00	62	106	22.32	2.6	1.10	72	92	19.35	2.5	1.30	77	86	18.08	2.5	1.40	89	74	15.63	2.4	1.60	105	63	13.28	2.3	1.90	117	56	11.86	2.3	2.10	137	48	10.13	2.2	2.30	148	45	9.41	2.1	2.50	170	39	8.16	2.0	2.70	182	36	7.63	2.0	2.80	211	31	6.59	1.9	3.10	248	27	5.60	1.8	3.40	278	24	5.00	1.8	3.70	71	93	19.71	0.4	0.85	82	81	16.99	1.3	0.95	88	75	15.84	1.3	1.05	100	66	13.84	1.3	1.20	107	62	12.98	1.3	1.25	121	54	11.45	1.3	1.35	137	48	10.15	1.3	1.45	161	41	8.63	1.2	1.60	184	36	7.55	1.1	1.45	197	33	7.04	1.1	1.50	226	29	6.15	1.1	1.70	241	27	5.76	1.1	1.75	273	24	5.09	1.1	1.95	308	21	4.51	1.0	2.00	363	18	3.83	1.0	2.30																																																																																																																																																																																																																																																																																																																																																																																																																																																																																																																								
57	116	24.47	2.7	1.00			62	106	22.32	2.6	1.10	72	92	19.35	2.5	1.30	77	86	18.08	2.5	1.40	89	74	15.63	2.4	1.60	105	63	13.28	2.3	1.90	117	56	11.86	2.3	2.10	137	48	10.13	2.2	2.30	148	45	9.41	2.1	2.50	170	39	8.16	2.0	2.70	182	36	7.63	2.0	2.80	211	31	6.59	1.9	3.10	248	27	5.60	1.8	3.40	278	24	5.00	1.8	3.70	71	93	19.71	0.4	0.85	82	81	16.99	1.3	0.95	88	75	15.84	1.3	1.05	100	66	13.84	1.3	1.20	107	62	12.98	1.3	1.25	121	54	11.45	1.3	1.35	137	48	10.15	1.3	1.45	161	41	8.63	1.2	1.60	184	36	7.55	1.1	1.45	197	33	7.04	1.1	1.50	226	29	6.15	1.1	1.70	241	27	5.76	1.1	1.75	273	24	5.09	1.1	1.95	308	21	4.51	1.0	2.00	363	18	3.83	1.0	2.30																																																																																																																																																																																																																																																																																																																																																																																																																																																																																																																													
62	106	22.32	2.6	1.10			72	92	19.35	2.5	1.30	77	86	18.08	2.5	1.40	89	74	15.63	2.4	1.60	105	63	13.28	2.3	1.90	117	56	11.86	2.3	2.10	137	48	10.13	2.2	2.30	148	45	9.41	2.1	2.50	170	39	8.16	2.0	2.70	182	36	7.63	2.0	2.80	211	31	6.59	1.9	3.10	248	27	5.60	1.8	3.40	278	24	5.00	1.8	3.70	71	93	19.71	0.4	0.85	82	81	16.99	1.3	0.95	88	75	15.84	1.3	1.05	100	66	13.84	1.3	1.20	107	62	12.98	1.3	1.25	121	54	11.45	1.3	1.35	137	48	10.15	1.3	1.45	161	41	8.63	1.2	1.60	184	36	7.55	1.1	1.45	197	33	7.04	1.1	1.50	226	29	6.15	1.1	1.70	241	27	5.76	1.1	1.75	273	24	5.09	1.1	1.95	308	21	4.51	1.0	2.00	363	18	3.83	1.0	2.30																																																																																																																																																																																																																																																																																																																																																																																																																																																																																																																																		
72	92	19.35	2.5	1.30			77	86	18.08	2.5	1.40	89	74	15.63	2.4	1.60	105	63	13.28	2.3	1.90	117	56	11.86	2.3	2.10	137	48	10.13	2.2	2.30	148	45	9.41	2.1	2.50	170	39	8.16	2.0	2.70	182	36	7.63	2.0	2.80	211	31	6.59	1.9	3.10	248	27	5.60	1.8	3.40	278	24	5.00	1.8	3.70	71	93	19.71	0.4	0.85	82	81	16.99	1.3	0.95	88	75	15.84	1.3	1.05	100	66	13.84	1.3	1.20	107	62	12.98	1.3	1.25	121	54	11.45	1.3	1.35	137	48	10.15	1.3	1.45	161	41	8.63	1.2	1.60	184	36	7.55	1.1	1.45	197	33	7.04	1.1	1.50	226	29	6.15	1.1	1.70	241	27	5.76	1.1	1.75	273	24	5.09	1.1	1.95	308	21	4.51	1.0	2.00	363	18	3.83	1.0	2.30																																																																																																																																																																																																																																																																																																																																																																																																																																																																																																																																							
77	86	18.08	2.5	1.40																																																																																																																																																																																																																																																																																																																																																																																																																																																																																																																																																																																																																																																																											
89	74	15.63	2.4	1.60																																																																																																																																																																																																																																																																																																																																																																																																																																																																																																																																																																																																																																																																											
105	63	13.28	2.3	1.90																																																																																																																																																																																																																																																																																																																																																																																																																																																																																																																																																																																																																																																																											
117	56	11.86	2.3	2.10																																																																																																																																																																																																																																																																																																																																																																																																																																																																																																																																																																																																																																																																											
137	48	10.13	2.2	2.30																																																																																																																																																																																																																																																																																																																																																																																																																																																																																																																																																																																																																																																																											
148	45	9.41	2.1	2.50																																																																																																																																																																																																																																																																																																																																																																																																																																																																																																																																																																																																																																																																											
170	39	8.16	2.0	2.70																																																																																																																																																																																																																																																																																																																																																																																																																																																																																																																																																																																																																																																																											
182	36	7.63	2.0	2.80																																																																																																																																																																																																																																																																																																																																																																																																																																																																																																																																																																																																																																																																											
211	31	6.59	1.9	3.10																																																																																																																																																																																																																																																																																																																																																																																																																																																																																																																																																																																																																																																																											
248	27	5.60	1.8	3.40																																																																																																																																																																																																																																																																																																																																																																																																																																																																																																																																																																																																																																																																											
278	24	5.00	1.8	3.70																																																																																																																																																																																																																																																																																																																																																																																																																																																																																																																																																																																																																																																																											
71	93	19.71	0.4	0.85																																																																																																																																																																																																																																																																																																																																																																																																																																																																																																																																																																																																																																																																											
82	81	16.99	1.3	0.95																																																																																																																																																																																																																																																																																																																																																																																																																																																																																																																																																																																																																																																																											
88	75	15.84	1.3	1.05																																																																																																																																																																																																																																																																																																																																																																																																																																																																																																																																																																																																																																																																											
100	66	13.84	1.3	1.20																																																																																																																																																																																																																																																																																																																																																																																																																																																																																																																																																																																																																																																																											
107	62	12.98	1.3	1.25																																																																																																																																																																																																																																																																																																																																																																																																																																																																																																																																																																																																																																																																											
121	54	11.45	1.3	1.35																																																																																																																																																																																																																																																																																																																																																																																																																																																																																																																																																																																																																																																																											
137	48	10.15	1.3	1.45																																																																																																																																																																																																																																																																																																																																																																																																																																																																																																																																																																																																																																																																											
161	41	8.63	1.2	1.60																																																																																																																																																																																																																																																																																																																																																																																																																																																																																																																																																																																																																																																																											
184	36	7.55	1.1	1.45																																																																																																																																																																																																																																																																																																																																																																																																																																																																																																																																																																																																																																																																											
197	33	7.04	1.1	1.50																																																																																																																																																																																																																																																																																																																																																																																																																																																																																																																																																																																																																																																																											
226	29	6.15	1.1	1.70																																																																																																																																																																																																																																																																																																																																																																																																																																																																																																																																																																																																																																																																											
241	27	5.76	1.1	1.75																																																																																																																																																																																																																																																																																																																																																																																																																																																																																																																																																																																																																																																																											
273	24	5.09	1.1	1.95																																																																																																																																																																																																																																																																																																																																																																																																																																																																																																																																																																																																																																																																											
308	21	4.51	1.0	2.00																																																																																																																																																																																																																																																																																																																																																																																																																																																																																																																																																																																																																																																																											
363	18	3.83	1.0	2.30																																																																																																																																																																																																																																																																																																																																																																																																																																																																																																																																																																																																																																																																											

**选型参数表
(恒功率)**
**Selection Table
(Constant Power)**

n_a [r/min]	M_a [N.m]	i	F_{Ra} [kN]	f_B	机型号 Type size	极数 Pole	n_a [r/min]	M_a [N.m]	i	F_{Ra} [kN]	f_B	机型号 Type size	极数 Pole
0.75kW							1.1kW						
247	27	11.45	1.1	2.70			0.63	14973	2211	48	0.85	GR149R79	
279	24	10.15	1.1	2.90			0.72	13212	1951	59	1.00	GRF149R79	4P
328	20	8.63	1.1	3.10			0.82	11546	1705	62	1.15		
375	18	7.55	1.0	2.80			0.91	10402	1536	64	1.25		
402	16	7.04	1.0	2.90	GR19		1.1	9000	1329	66	1.45		
460	14	6.15	1.0	3.30	GRF19	2P	1.2	7896	1166	67	1.65	GR149R79	
491	13	5.76	0.9	3.50			1.4	6968	1029	68	1.85	GRF149R79	4P
556	12	5.09	0.9	3.80			1.6	6020	889	69	2.20		
627	11	4.51	0.9	4.00			1.8	5309	784	69	2.50		
739	8.9	3.83	0.8	4.40			2.0	4707	695	70	2.80		
201	35	4.53	4.0	2.30			1.0	9420	1391	42	0.85		
212	33	4.30	4.0	2.30	GRX69		1.1	8506	1256	49	0.95	GR139R79	
241	29	3.77	3.8	2.90	GRXF69	6P	1.3	7483	1105	52	1.05	GRF139R79	4P
284	25	3.20	3.6	3.90			1.3	7063	1043	52	1.10		
268	26	5.18	3.7	2.80			1.6	6014	888	54	1.30		
307	23	4.53	3.6	3.50			1.0	9460	1397	42	0.85		
323	22	4.30	3.5	3.60			1.1	8302	1226	50	0.95		
369	19	3.77	3.4	4.40			1.3	7381	1090	52	1.10		
434	16	3.20	3.2	6.00	GRX69		1.5	6440	951	53	1.25	GR139R79	
481	15	2.89	3.1	7.10	GRXF69	4P	1.7	5628	831	55	1.40	GRF139R79	4P
547	13	2.54	3.0	8.90			1.9	4944	730	56	1.60		
579	12	2.40	2.9	9.80			2.2	4260	629	56	1.85		
681	10	2.04	2.8	13			2.5	3792	560	57	2.10		
747	9.3	1.86	2.7	13			2.9	3318	490	57	2.40		
863	8.1	1.61	2.6	14			2.0	4856	717	19	0.90	GR109R79	4P
240	29	3.79	3.1	2.30			2.3	4158	614	29	1.05	GRF109R79	
256	27	3.55	3.0	2.40	GRX59		2.6	3684	544	31	1.15		
290	24	3.14	2.9	2.60	GRXF59	6P	2.8	3332	492	32	1.30		
313	22	2.91	2.9	2.90			3.4	2824	417	34	1.50	GR109R79	
345	20	2.64	2.8	3.30			3.8	2499	369	34	1.70	GRF109R79	4P
320	22	4.35	2.8	3.00			4.3	2187	323	35	1.95		
367	19	3.79	2.7	3.50			4.9	1930	285	35	2.25		
392	18	3.55	2.7	3.80			5.5	1713	253	35	2.50		
443	16	3.14	2.6	4.00			3.2	2919	431	20	1.05		
478	15	2.91	2.5	4.40			3.7	2567	379	23	1.15		
527	13	2.64	2.4	5.00	GRX59		4.2	2275	336	24	1.30	GR99R59	
586	12	2.37	2.3	5.60	GRXF59	4P	4.7	2005	296	25	1.50	GRF99R59	4P
681	10	2.04	2.2	6.50			5.6	1686	249	26	1.80		
724	9.6	1.92	2.2	6.90			6.0	1585	234	26	1.90		
842	8.3	1.65	2.1	8.00			6.7	1415	209	26	2.10		
939	7.4	1.48	2.0	8.80			5.2	1822	269	13	0.85	GR89R59	
1103	6.3	1.26	1.9	9.30			5.9	1605	237	16	0.95	GRF89R59	4P
1.1kW							6.7	1422	210	17	1.10		
0.25	37476	5534	128	1.0			5.4	1740	257	15	0.90	GR89R59	
0.28	33277	4914	128	1.1			6.0	1578	233	16	1.00	GRF89R59	4P
0.32	29756	4394	128	1.2			7.1	1327	196	17	1.15		
0.35	26749	3950	128	1.4			2.7	3632	251.15	30	1.10		
0.41	23221	3429	128	1.6			3.0	3326	229.95	31	1.20	GR109	
0.45	20980	3098	128	1.7	GR179R99		3.4	2938	203.16	33	1.35	GRF109	8P
0.48	19734	2914	128	1.9	GRF179R99	4P	4.0	2493	172.34	34	1.60		
0.52	18162	2682	128	2.0			3.6	2804	255.71	20	1.05		
0.61	15535	2294	128	2.4			3.8	2646	241.25	21	1.10	GR99	
0.65	14614	2158	128	2.5			4.2	2372	216.28	23	1.20	GRF99	6P
0.76	12501	1846	128	2.9			4.9	2043	186.30	25	1.40		
0.53	17993	2657	114	1.00			5.5	1823	255.71	25	1.55		
0.60	15799	2333	114	1.15			5.8	1720	241.25	26	1.65		
0.67	14120	2085	114	1.30			6.5	1542	216.28	26	1.85		
0.75	12711	1877	114	1.40	GR169R99		7.5	1328	186.30	26	2.20	GR99	
0.84	11309	1670	114	1.60	GRF169R99	4P	8.2	1212	170.02	27	2.30	GRF99	4P
0.97	9738	1438	114	1.85			9.3	1075	150.78	27	2.70		
1.1	8661	1279	114	2.05			11	904	126.75	27	3.20		
1.2	7605	1123	114	2.35			12	830	116.48	27	3.40		

**选型参数表
(恒功率)**
**Selection Table
(Constant Power)**

n_a [r/min]	M_a [N.m]	i	F_{Ra} [kN]	f_B	机型号 Type size	极数 Pole	n_a [r/min]	M_a [N.m]	i	F_{Ra} [kN]	f_B	机型号 Type size	极数 Pole								
1.1kW							1.1kW														
6.4	1550	217.48	16	0.95	GR89 GRF89	4P	60	166	23.28	4.1	1.70	GR49 GRF49	4P								
6.8	1473	206.6	16	1.00																	
7.7	1301	182.55	17	1.15																	
9.0	1112	156.01	18	1.35																	
9.8	1020	143.03	19	1.45																	
11	895	125.51	19	1.65																	
12	848	118.94	19	1.75																	
13	742	104.1	19	2.00																	
15	669	93.78	19	2.20																	
17	586	82.27	19	2.50																	
19	520	72.88	19	2.80																	
22	456	63.96	19	3.20																	
23	432	60.61	19	3.40																	
26	378	53.05	19	3.90																	
12	866	121.42	8.5	0.90	GR79 GRF79	4P	43	224	32.40	2.8	0.80	GR39 GRF39	4P								
14	734	102.99	10	1.05																	
15	663	92.97	10	1.20																	
17	583	81.80	11	1.35																	
18	551	77.24	11	1.40																	
21	469	65.77	11	1.65																	
24	411	57.68	12	1.90																	
27	371	52.07	12	2.10																	
31	327	45.81	12	2.40																	
32	308	43.26	12	2.50																	
38	263	36.83	12	3.00																	
42	239	33.47	12	3.30																	
16	614	86.11	6.5	0.95			GR69 GRF69	4P	72	134	19.35			2.3	0.90	GR29 GRF29	4P				
19	529	74.17	7.6	1.10																	
20	497	69.75	8.0	1.15																	
23	437	61.26	8.5	1.30																	
25	406	56.89	8.7	1.40																	
27	368	51.56	8.9	1.55																	
30	330	46.29	9.2	1.75																	
35	284	39.88	9.4	1.95																	
37	267	37.50	9.5	2.00																	
43	230	32.27	10	2.20																	
49	206	28.83	10	2.40																	
50	201	28.13	10	2.60	GR69 GRF69	4P			213	45	13.28	1.9	2.50	GR29 GRF29	2P						
52	190	26.72	10	2.70																	
60	167	23.44	9.2	3.20																	
70	142	19.89	8.8	4.00																	
20	493	69.23	5.7	0.85			GR59 GRF59	4P	239	41	11.86	1.8	2.80			GR19 GRF19	2P				
22	462	64.85	6.5	0.90																	
24	408	57.29	6.4	1.05																	
26	379	53.22	6.3	1.15																	
29	344	48.23	6.2	1.25																	
32	309	43.30	6.0	1.40																	
38	266	37.30	5.8	1.60																	
40	250	35.07	5.8	1.70																	
46	215	30.18	5.6	2.00																	
52	192	26.97	5.4	2.20																	
53	188	26.31	5.4	2.30	GR59 GRF59	4P			144	67	19.71	1.1	1.10	GR19 GRF19	2P						
56	178	24.99	5.3	2.40																	
64	156	21.93	5.1	2.70																	
75	133	18.60	4.9	3.20																	
83	120	16.79	4.8	3.60																	
29	340	47.75	3.3	0.85			GR49 GRF49	4P	167	58	16.99	1.1	1.30			GR19 GRF19	2P				
33	306	42.87	4.6	0.95																	
38	263	36.93	4.5	1.10																	
40	248	34.73	4.4	1.15																	
47	213	29.88	4.3	1.35																	
52	190	26.70	4.2	1.50																	
61	163	22.81	4.1	1.70																	
328	29	8.63	1.0	2.10					GR49 GRF49	4P	179	54	15.84					1.1	1.40	GR19 GRF19	2P
375	26	7.55	0.9	1.90																	
402	24	7.04	0.9	2.00																	
460	21	6.15	0.9	2.30																	
491	20	5.76	0.9	2.40																	
556	17	5.09	0.9	2.60																	
627	15	4.51	0.8	2.70																	
739	13	3.83	0.8	3.00																	

**选型参数表
(恒功率)**
**Selection Table
(Constant Power)**

n_a [r/min]	M_a [N.m]	i	F_{Ra} [kN]	f_B	机型号 Type size	极数 Pole	n_a [r/min]	M_a [N.m]	i	F_{Ra} [kN]	f_B	机型号 Type size	极数 Pole																																																																																																																																																																																																																																																																																																																																																																																																																																																																																																																																																																																																																																																																																																																									
1.1kW							1.5kW																																																																																																																																																																																																																																																																																																																																																																																																																																																																																																																																																																																																																																																																																																																															
249	41	5.63	5.4	2.60	GRX79	4P	1.3	9632	1043	39	0.80	GR139R79 GRF139R79	4P																																																																																																																																																																																																																																																																																																																																																																																																																																																																																																																																																																																																																																																																																																																									
262	39	5.35	5.3	2.60	GRXF79		296	35	4.73	5.1	3.50				201	51	4.53	3.9	1.60	GRX69	6P	2.0	6455	699	53	1.25	GR139R79 GRF139R79	4P	212	48	4.30	3.9	1.65	GRXF69	241	42	3.77	3.7	2.00		309	33	4.53	3.5	2.40	GRX69 GRXF69	4P	1.3	1006	1090	31	0.80	GR139R79 GRF139R79	4P	326	31	4.30	3.4	2.50	371	28	3.77	3.3	3.10	438	23	3.20	3.1	4.20	484	21	2.89	3.0	4.90	551	19	2.54	2.9	6.20	583	18	2.40	2.9	6.80	686	15	2.04	2.7	8.80	753	14	1.86	2.6	9.10	870	12	1.61	2.5	9.40	1000	10	1.40	2.4	9.90	240	43	3.79	3.0	1.60	GRX59 GRXF59	6P	1.5	8782	951	48	0.90	GR139R79 GRF139R79	4P	256	40	3.55	2.9	1.70	290	35	3.14	2.8	1.80	313	33	2.91	2.8	2.00	345	30	2.64	2.7	2.30	369	28	3.79	2.6	2.40	394	26	3.55	2.6	2.60	GRX59 GRXF59	4P	2.2	5809	629	55	1.35	GR139R79 GRF139R79	4P	446	23	3.14	2.5	2.80	481	21	2.91	2.4	3.10	530	19	2.64	2.4	3.50	591	17	2.37	2.3	3.90	686	15	2.04	2.2	4.50	729	14	1.92	2.2	4.80	848	12	1.65	2.1	5.60	946	11	1.48	2.0	6.10	1111	9.2	1.26	1.9	6.40	3.0	4331	469	27	1.00	GR109R79 GRF109R79	4P	4.2	3103	336	14	0.95	GR99R59 GRF99R59	4P	2.6	5024	544	14	0.85	GR109R79 GRF109R79	4P	4.7	2733	296	22	1.10	5.6	2299	249	24	1.30	6.0	2161	234	25	1.40	6.7	1930	209	25	1.55	GR109 GRF109	8P	3.0	4602	229.95	25	0.90	GR109 GRF109	8P	3.3	4066	203.16	29	1.05	3.9	3449	172.34	31	1.20	4.3	3176	158.68	32	1.30	3.7	3636	251.15	30	1.10	4.1	3329	229.95	31	1.20	GR109 GRF109	6P	4.6	2941	203.16	33	1.35	5.5	2495	172.34	34	1.60	5.9	2297	158.68	34	1.75	6.6	2053	141.83	35	1.95	5.5	2486	255.71	22	1.15	GR99 GRF99	4P	5.8	2345	241.25	23	1.20	6.5	2102	216.28	24	1.35	7.5	1811	186.30	25	1.60	8.2	1653	170.02	26	1.75	9.3	1466	150.78	26	1.95	11	1232	126.75	27	2.30	12	1132	116.48	27	2.50	14	1005	103.44	27	2.80	15	899	92.48	27	3.20	7.7	1775	182.55	11	0.95	GR89 GRF89	4P	9.0	1517	156.01	16	1.00	9.8	1390	143.03	17	1.05	11	1220	125.51	18	1.20	12	1156	118.94	18	1.30	13	1012	104.10	19	1.45	GR89 GRF89	4P	15	912	93.78	19	1.65	17	800	82.27	19	1.85	19	708	72.88	19	2.10	22	622	63.96	19	2.40	23	589	60.61	19	2.50	26	516	53.05	19	2.90	29	465	47.79	19	3.20	33	407	41.92	19	3.70	38	360	37.00	19	4.10	1.5kW							1.5kW							0.32	40576	4394	128	0.9	GR179R99 GRF179R99	4P	15	912	93.78	19	1.65	GR89 GRF89	4P	0.35	36476	3950	128	1.0	0.41	31665	3429	128	1.2	0.45	28609	3098	128	1.3	0.48	26909	2914	128	1.4	0.52	24767	2682	128	1.5	0.61	21184	2294	128	1.7	0.65	19928	2158	128	1.8	0.76	17047	1846	128	2.1	1.0	13252	1435	128	2.8	1.2	10980	1189	128	3.3	0.60	21544	2333	114	0.85	GR169R99 GRF169R99	4P	0.67	19254	2085	114	0.95	0.75	17333	1877	114	1.05	0.84	15422	1670	114	1.15	0.97	13279	1438	114	1.35	1.1	11811	1279	114	1.50	1.2	10370	1123	114	1.75	1.4	9225	999	114	1.95	3.3	3934	426	70	3.30	GR149R89 GRF149R89	4P	3.8	3398	368	70	3.90	GR149R79 GRF149R79	4P	0.82	15745	1705	39	0.85	0.91	14184	1536	57	0.90	1.1	12273	1329	61	1.05	1.2	10767	1166	63	1.20	1.4	9502	1029	65	1.35	1.6	8209	889	67	1.60	1.8	7240	784	68	1.85	2.0	6418	695	68	2.05	2.3	5716	619	69	2.30	2.5	5153	558	69	2.55																																																																																																
296	35	4.73	5.1	3.50			201	51	4.53	3.9	1.60			GRX69	6P	2.0	6455	699	53	1.25		GR139R79 GRF139R79	4P	212	48	4.30			3.9	1.65	GRXF69	241	42	3.77	3.7	2.00		309	33	4.53	3.5	2.40	GRX69 GRXF69	4P	1.3			1006	1090	31	0.80	GR139R79 GRF139R79			4P	326	31	4.30	3.4	2.50	371	28	3.77	3.3	3.10	438	23	3.20	3.1	4.20	484	21	2.89	3.0	4.90	551	19	2.54	2.9	6.20	583	18	2.40	2.9	6.80	686	15	2.04	2.7	8.80	753	14	1.86	2.6	9.10	870	12	1.61	2.5	9.40	1000	10	1.40	2.4	9.90	240	43	3.79	3.0			1.60	GRX59 GRXF59	6P	1.5	8782			951	48	0.90	GR139R79 GRF139R79	4P	256	40	3.55	2.9	1.70	290	35	3.14	2.8	1.80	313	33	2.91	2.8	2.00	345	30	2.64	2.7	2.30	369	28	3.79	2.6	2.40			394	26	3.55	2.6	2.60			GRX59 GRXF59	4P	2.2	5809	629	55	1.35	GR139R79 GRF139R79	4P	446	23	3.14	2.5	2.80	481	21	2.91	2.4	3.10	530	19	2.64	2.4	3.50	591	17	2.37	2.3	3.90	686	15	2.04	2.2	4.50	729	14	1.92	2.2	4.80	848	12	1.65	2.1	5.60	946	11	1.48	2.0	6.10	1111	9.2	1.26	1.9	6.40	3.0	4331	469			27	1.00	GR109R79 GRF109R79	4P	4.2			3103	336	14	0.95	GR99R59 GRF99R59	4P	2.6	5024	544	14	0.85	GR109R79 GRF109R79	4P	4.7	2733	296	22	1.10	5.6	2299			249	24	1.30	6.0	2161			234	25	1.40	6.7	1930	209	25	1.55	GR109 GRF109	8P	3.0	4602	229.95	25	0.90	GR109 GRF109	8P	3.3	4066	203.16	29	1.05	3.9	3449	172.34			31	1.20	4.3	3176	158.68	32	1.30	3.7	3636	251.15	30	1.10	4.1	3329	229.95	31	1.20	GR109 GRF109	6P	4.6	2941	203.16	33	1.35	5.5			2495	172.34	34	1.60	5.9	2297	158.68	34	1.75	6.6	2053	141.83	35	1.95	5.5	2486	255.71	22	1.15	GR99 GRF99	4P	5.8	2345	241.25	23	1.20	6.5	2102	216.28	24	1.35	7.5	1811	186.30	25	1.60	8.2	1653	170.02	26	1.75	9.3	1466	150.78	26	1.95	11	1232	126.75	27			2.30	12	1132	116.48	27	2.50	14	1005	103.44	27	2.80	15	899	92.48	27	3.20	7.7	1775	182.55	11	0.95	GR89 GRF89	4P	9.0	1517			156.01	16	1.00	9.8	1390	143.03	17	1.05	11	1220	125.51	18	1.20	12	1156	118.94	18	1.30	13	1012	104.10	19	1.45	GR89 GRF89	4P	15	912	93.78	19	1.65	17	800	82.27	19	1.85	19	708	72.88	19	2.10	22	622	63.96	19	2.40	23	589	60.61	19	2.50	26	516	53.05	19	2.90	29	465	47.79	19	3.20	33	407	41.92	19			3.70	38	360	37.00	19			4.10	1.5kW							1.5kW							0.32	40576	4394	128	0.9	GR179R99 GRF179R99	4P	15	912	93.78	19	1.65	GR89 GRF89	4P	0.35	36476	3950	128	1.0	0.41	31665	3429	128	1.2	0.45	28609	3098	128	1.3	0.48	26909	2914	128	1.4	0.52	24767	2682	128	1.5	0.61			21184	2294	128	1.7	0.65	19928	2158	128	1.8	0.76	17047	1846	128	2.1	1.0	13252	1435	128	2.8	1.2	10980	1189	128	3.3	0.60	21544	2333	114	0.85	GR169R99 GRF169R99	4P	0.67	19254	2085	114	0.95	0.75	17333	1877	114	1.05	0.84	15422	1670	114	1.15	0.97			13279	1438	114	1.35	1.1	11811	1279	114	1.50	1.2	10370	1123	114	1.75	1.4	9225	999	114	1.95	3.3	3934	426	70	3.30	GR149R89 GRF149R89	4P	3.8	3398	368	70	3.90	GR149R79 GRF149R79	4P	0.82	15745	1705	39	0.85	0.91	14184	1536	57	0.90	1.1	12273	1329	61	1.05	1.2	10767	1166	63	1.20	1.4	9502	1029	65	1.35	1.6	8209	889	67	1.60	1.8	7240	784	68	1.85	2.0	6418	695	68	2.05	2.3	5716	619	69	2.30	2.5	5153	558	69	2.55																																																															
201	51	4.53	3.9	1.60	GRX69	6P	2.0	6455	699	53	1.25	GR139R79 GRF139R79	4P																																																																																																																																																																																																																																																																																																																																																																																																																																																																																																																																																																																																																																																																																																																									
212	48	4.30	3.9	1.65	GRXF69		241	42	3.77	3.7	2.00					309	33	4.53	3.5	2.40	GRX69 GRXF69			4P	1.3	1006	1090	31	0.80	GR139R79 GRF139R79	4P	326	31	4.30	3.4	2.50	371	28	3.77	3.3	3.10	438			23			3.20	3.1	4.20	484					21	2.89	3.0	4.90	551	19	2.54	2.9	6.20	583	18	2.40	2.9	6.80	686	15	2.04	2.7	8.80	753	14	1.86	2.6	9.10	870	12	1.61	2.5	9.40	1000	10	1.40	2.4	9.90	240	43	3.79	3.0	1.60	GRX59 GRXF59	6P	1.5	8782	951	48	0.90	GR139R79 GRF139R79	4P	256	40	3.55	2.9	1.70	290			35			3.14	2.8			1.80	313	33			2.91	2.8	2.00	345	30	2.64	2.7	2.30	369	28	3.79	2.6	2.40	394	26	3.55	2.6	2.60	GRX59 GRXF59	4P	2.2	5809	629	55	1.35			GR139R79 GRF139R79	4P	446	23	3.14					2.5	2.80	481	21	2.91			2.4	3.10	530	19	2.64	2.4	3.50	591	17	2.37	2.3	3.90	686	15	2.04	2.2	4.50	729	14	1.92	2.2	4.80	848	12	1.65	2.1	5.60	946	11	1.48	2.0	6.10	1111	9.2	1.26	1.9	6.40	3.0	4331	469	27	1.00	GR109R79 GRF109R79	4P	4.2	3103	336	14			0.95	GR99R59 GRF99R59	4P	2.6	5024			544	14	0.85	GR109R79 GRF109R79			4P	4.7	2733	296	22			1.10	5.6	2299	249	24	1.30	6.0			2161	234	25	1.40	6.7			1930	209	25	1.55	GR109 GRF109	8P	3.0	4602			229.95	25	0.90	GR109 GRF109	8P			3.3	4066	203.16	29	1.05	3.9	3449	172.34			31	1.20	4.3	3176	158.68	32	1.30	3.7	3636	251.15	30	1.10	4.1	3329	229.95	31	1.20			GR109 GRF109	6P	4.6	2941	203.16	33			1.35	5.5	2495	172.34	34	1.60	5.9	2297	158.68	34	1.75	6.6	2053	141.83	35	1.95	5.5	2486	255.71			22	1.15	GR99 GRF99	4P	5.8	2345	241.25	23	1.20	6.5	2102	216.28	24	1.35	7.5	1811	186.30	25	1.60	8.2	1653	170.02	26	1.75	9.3	1466	150.78	26	1.95			11	1232	126.75	27	2.30	12	1132	116.48	27	2.50	14	1005	103.44	27	2.80	15	899	92.48	27	3.20	7.7			1775	182.55			11	0.95	GR89 GRF89	4P	9.0	1517	156.01	16	1.00	9.8	1390	143.03	17	1.05	11	1220	125.51	18	1.20	12	1156	118.94	18			1.30	13	1012	104.10	19	1.45	GR89 GRF89	4P	15	912	93.78	19	1.65	17	800	82.27	19	1.85	19	708	72.88	19	2.10	22	622	63.96	19	2.40	23	589	60.61	19	2.50	26	516	53.05	19	2.90	29			465	47.79	19	3.20	33			407	41.92	19	3.70	38	360	37.00	19	4.10	1.5kW							1.5kW							0.32	40576	4394	128			0.9	GR179R99 GRF179R99	4P	15	912	93.78	19	1.65	GR89 GRF89	4P	0.35	36476	3950	128	1.0	0.41	31665	3429	128	1.2	0.45	28609	3098	128	1.3	0.48			26909	2914	128	1.4	0.52	24767	2682	128	1.5	0.61	21184	2294	128	1.7	0.65	19928	2158	128	1.8	0.76	17047	1846	128	2.1	1.0	13252	1435	128	2.8			1.2	10980	1189	128	3.3	0.60	21544	2333	114	0.85	GR169R99 GRF169R99	4P	0.67	19254	2085	114			0.95	0.75	17333	1877	114	1.05	0.84	15422	1670	114	1.15	0.97	13279	1438	114	1.35	1.1	11811	1279	114	1.50	1.2	10370	1123	114	1.75	1.4	9225	999	114	1.95			3.3	3934	426	70	3.30	GR149R89 GRF149R89	4P	3.8	3398	368	70	3.90	GR149R79 GRF149R79	4P	0.82	15745	1705	39	0.85	0.91	14184	1536	57	0.90	1.1	12273	1329	61	1.05	1.2	10767	1166	63	1.20	1.4	9502	1029	65	1.35	1.6	8209	889	67	1.60	1.8	7240	784	68	1.85	2.0	6418	695	68	2.05	2.3	5716	619	69	2.30	2.5	5153	558	69	2.55																																																	
241	42	3.77	3.7	2.00			309	33	4.53	3.5	2.40			GRX69 GRXF69	4P	1.3	1006	1090	31	0.80		GR139R79 GRF139R79	4P		326	31	4.30	3.4	2.50			371	28	3.77	3.3	3.10	438	23	3.20	3.1	4.20	484			21			2.89	3.0	4.90	551					19	2.54	2.9	6.20	583	18	2.40	2.9	6.80	686	15	2.04	2.7	8.80	753	14	1.86	2.6	9.10	870	12	1.61	2.5	9.40	1000	10	1.40	2.4	9.90	240	43	3.79	3.0	1.60	GRX59 GRXF59	6P	1.5	8782	951			48	0.90	GR139R79 GRF139R79	4P	256			40	3.55	2.9	1.70	290	35			3.14			2.8	1.80			313	33	2.91			2.8	2.00	345	30	2.64	2.7	2.30	369	28	3.79	2.6	2.40	394	26	3.55	2.6	2.60	GRX59 GRXF59			4P	2.2	5809	629	55					1.35	GR139R79 GRF139R79	4P					446	23	3.14	2.5	2.80			481	21	2.91	2.4	3.10	530	19	2.64	2.4	3.50	591	17	2.37	2.3	3.90	686	15	2.04	2.2	4.50	729	14	1.92	2.2	4.80	848	12	1.65	2.1	5.60	946	11	1.48	2.0	6.10	1111	9.2	1.26	1.9	6.40	3.0	4331	469	27	1.00	GR109R79 GRF109R79	4P	4.2	3103	336	14			0.95	GR99R59 GRF99R59	4P	2.6	5024	544	14					0.85	GR109R79 GRF109R79	4P	4.7			2733	296	22	1.10	5.6	2299	249			24	1.30	6.0	2161	234			25	1.40	6.7	1930			209	25			1.55	GR109 GRF109	8P					3.0	4602	229.95	25	0.90	GR109 GRF109	8P	3.3			4066	203.16	29	1.05	3.9	3449	172.34	31	1.20	4.3	3176	158.68	32	1.30	3.7	3636	251.15					30	1.10	4.1	3329			229.95	31	1.20	GR109 GRF109	6P	4.6	2941	203.16	33	1.35	5.5	2495	172.34	34	1.60	5.9	2297	158.68	34			1.75	6.6			2053	141.83	35	1.95	5.5	2486	255.71	22	1.15	GR99 GRF99	4P	5.8	2345	241.25	23	1.20	6.5	2102	216.28	24	1.35	7.5	1811	186.30	25			1.60	8.2	1653	170.02	26	1.75	9.3	1466	150.78	26	1.95	11	1232	126.75	27	2.30	12	1132	116.48	27	2.50			14	1005			103.44	27			2.80	15	899	92.48	27	3.20	7.7	1775	182.55	11	0.95	GR89 GRF89	4P	9.0	1517	156.01	16	1.00	9.8			1390	143.03	17	1.05	11	1220			125.51	18	1.20	12	1156	118.94	18	1.30	13	1012	104.10	19	1.45	GR89 GRF89	4P	15	912	93.78	19	1.65	17	800	82.27	19	1.85	19	708	72.88	19	2.10	22			622	63.96	19	2.40	23			589	60.61	19	2.50	26	516	53.05	19	2.90	29	465	47.79	19	3.20	33	407	41.92	19	3.70	38			360	37.00	19	4.10	1.5kW							1.5kW							0.32	40576	4394	128	0.9	GR179R99 GRF179R99	4P	15	912	93.78	19	1.65	GR89 GRF89	4P	0.35			36476	3950	128	1.0	0.41	31665	3429	128	1.2	0.45	28609	3098	128	1.3	0.48	26909	2914	128	1.4	0.52	24767	2682	128	1.5	0.61	21184	2294	128	1.7			0.65	19928	2158	128	1.8	0.76	17047	1846	128	2.1			1.0	13252	1435	128			2.8	1.2	10980	1189	128	3.3	0.60	21544	2333	114	0.85	GR169R99 GRF169R99	4P	0.67	19254	2085	114	0.95	0.75	17333	1877	114	1.05	0.84	15422	1670	114	1.15	0.97	13279	1438			114	1.35	1.1	11811	1279	114	1.50	1.2	10370	1123	114	1.75			1.4	9225	999	114	1.95	3.3	3934	426	70	3.30	GR149R89 GRF149R89	4P	3.8	3398	368	70	3.90	GR149R79 GRF149R79	4P	0.82	15745	1705	39	0.85	0.91	14184	1536	57	0.90	1.1	12273	1329	61	1.05	1.2	10767	1166	63	1.20	1.4	9502	1029	65	1.35	1.6	8209	889	67	1.60	1.8	7240	784	68	1.85	2.0	6418	695	68	2.05	2.3	5716	619	69	2.30	2.5	5153	558	69	2.55																														
309	33	4.53	3.5	2.40	GRX69 GRXF69	4P	1.3	1006	1090	31	0.80	GR139R79 GRF139R79	4P																																																																																																																																																																																																																																																																																																																																																																																																																																																																																																																																																																																																																																																																																																																									
326	31	4.30	3.4	2.50			371	28	3.77	3.3	3.10					438	23	3.20	3.1	4.20					484	21	2.89	3.0	4.90			551	19	2.54	2.9	6.20	583	18	2.40	2.9	6.80	686			15			2.04	2.7	8.80	753					14	1.86	2.6	9.10	870	12	1.61	2.5	9.40	1000	10	1.40	2.4	9.90	240	43	3.79	3.0	1.60	GRX59 GRXF59	6P	1.5	8782	951	48	0.90	GR139R79 GRF139R79	4P	256	40	3.55	2.9	1.70	290			35	3.14	2.8			1.80	313			33			2.91	2.8	2.00	345	30	2.64	2.7	2.30	369			28	3.79	2.6	2.40	394	26	3.55			2.6	2.60	GRX59 GRXF59	4P	2.2	5809	629	55	1.35	GR139R79 GRF139R79	4P	446	23	3.14	2.5	2.80	481					21	2.91	2.4	3.10					530							19	2.64	2.4	3.50	591			17	2.37	2.3	3.90	686	15	2.04	2.2	4.50	729	14	1.92	2.2	4.80	848	12	1.65	2.1	5.60	946	11	1.48	2.0	6.10	1111	9.2	1.26	1.9	6.40	3.0	4331	469	27	1.00	GR109R79 GRF109R79	4P	4.2	3103	336	14	0.95	GR99R59 GRF99R59	4P	2.6	5024	544	14	0.85	GR109R79 GRF109R79	4P	4.7			2733			296	22	1.10	5.6		2299	249		24			1.30	6.0	2161	234	25	1.40	6.7	1930	209	25	1.55	GR109 GRF109	8P	3.0	4602	229.95	25	0.90	GR109 GRF109	8P	3.3	4066	203.16			29	1.05	3.9	3449	172.34					31	1.20	4.3	3176	158.68	32	1.30			3.7	3636	251.15	30	1.10	4.1	3329	229.95	31	1.20	GR109 GRF109	6P	4.6	2941	203.16	33	1.35	5.5	2495	172.34					34	1.60	5.9	2297			158.68	34	1.75			6.6	2053	141.83	35	1.95	5.5	2486	255.71	22	1.15	GR99 GRF99	4P	5.8	2345			241.25	23			1.20	6.5	2102	216.28	24	1.35	7.5	1811	186.30			25	1.60	8.2	1653	170.02	26	1.75	9.3	1466	150.78	26	1.95	11	1232	126.75	27	2.30	12	1132	116.48	27	2.50	14	1005	103.44	27	2.80	15	899	92.48	27	3.20	7.7	1775	182.55	11	0.95	GR89 GRF89	4P	9.0	1517			156.01	16			1.00	9.8	1390	143.03	17	1.05	11	1220	125.51	18	1.20			12	1156	118.94	18	1.30	13			1012	104.10	19	1.45	GR89 GRF89	4P			15	912	93.78	19	1.65	17	800	82.27	19	1.85	19	708	72.88			19	2.10	22	622	63.96	19	2.40	23	589	60.61	19	2.50	26	516	53.05	19			2.90	29	465	47.79	19			3.20	33	407	41.92	19	3.70	38	360	37.00	19	4.10	1.5kW							1.5kW							0.32	40576			4394			128	0.9	GR179R99 GRF179R99	4P	15			912	93.78	19	1.65	GR89 GRF89	4P			0.35	36476	3950	128	1.0			0.41			31665	3429	128	1.2	0.45	28609	3098	128	1.3	0.48	26909	2914	128	1.4	0.52	24767	2682	128	1.5	0.61	21184	2294	128	1.7	0.65	19928	2158	128	1.8			0.76	17047	1846	128	2.1	1.0	13252	1435	128	2.8			1.2	10980	1189	128			3.3	0.60	21544	2333	114	0.85	GR169R99 GRF169R99	4P	0.67	19254	2085			114	0.95	0.75	17333	1877	114	1.05	0.84	15422	1670	114	1.15	0.97	13279	1438	114	1.35	1.1			11811	1279	114	1.50	1.2	10370	1123	114	1.75	1.4	9225	999			114	1.95	3.3	3934	426	70	3.30	GR149R89 GRF149R89	4P	3.8	3398	368	70	3.90	GR149R79 GRF149R79	4P	0.82			15745	1705	39	0.85	0.91	14184	1536	57	0.90	1.1	12273	1329	61	1.05	1.2	10767	1166	63	1.20	1.4	9502	1029	65	1.35	1.6	8209	889	67	1.60	1.8	7240	784	68	1.85	2.0	6418	695	68	2.05	2.3	5716	619	69	2.30	2.5	5153	558	69	2.55																															
371	28	3.77	3.3	3.10			438	23	3.20	3.1	4.20					484	21	2.89	3.0	4.90					551	19	2.54	2.9	6.20			583	18	2.40	2.9	6.80	686	15	2.04	2.7	8.80	753			14			1.86	2.6	9.10	870					12	1.61	2.5	9.40	1000	10	1.40	2.4	9.90	240	43	3.79	3.0	1.60	GRX59 GRXF59	6P	1.5	8782	951			48	0.90	GR139R79 GRF139R79	4P	256			40	3.55	2.9	1.70	290	35			3.14	2.8	1.80			313	33			2.91			2.8	2.00	345	30	2.64	2.7	2.30	369	28	3.79	2.6	2.40	394	26	3.55	2.6	2.60	GRX59 GRXF59	4P	2.2	5809	629			55	1.35	GR139R79 GRF139R79	4P	446			23	3.14	2.5	2.80	481	21					2.91	2.4	3.10	530					19							2.64	2.4	3.50	591	17			2.37	2.3	3.90	686	15	2.04	2.2	4.50	729	14	1.92	2.2	4.80	848	12	1.65	2.1	5.60	946	11	1.48	2.0	6.10	1111	9.2	1.26	1.9	6.40	3.0	4331	469	27	1.00	GR109R79 GRF109R79	4P	4.2	3103	336	14	0.95	GR99R59 GRF99R59			4P	2.6	5024	544	14			0.85	GR109R79 GRF109R79	4P	4.7			2733	296	22	1.10	5.6	2299	249	24	1.30			6.0	2161	234	25	1.40	6.7	1930	209	25	1.55	GR109 GRF109			8P	3.0	4602	229.95	25			0.90	GR109 GRF109	8P			3.3	4066	203.16	29	1.05					3.9	3449	172.34	31	1.20	4.3	3176			158.68	32	1.30	3.7	3636	251.15	30	1.10	4.1	3329			229.95	31	1.20	GR109 GRF109	6P	4.6	2941	203.16	33	1.35			5.5	2495	172.34	34			1.60	5.9	2297			158.68	34	1.75	6.6	2053	141.83	35	1.95	5.5	2486			255.71	22			1.15	GR99 GRF99			4P	5.8	2345	241.25	23	1.20	6.5	2102	216.28			24	1.35	7.5	1811	186.30	25	1.60	8.2	1653	170.02	26	1.75	9.3	1466	150.78	26	1.95	11	1232	126.75	27	2.30	12	1132	116.48	27	2.50	14	1005	103.44	27	2.80	15	899	92.48	27	3.20			7.7	1775			182.55	11			0.95	GR89 GRF89	4P	9.0	1517	156.01	16	1.00	9.8	1390	143.03			17	1.05	11	1220	125.51	18			1.20	12	1156	118.94					18	1.30	13	1012	104.10	19	1.45	GR89 GRF89	4P	15	912	93.78	19			1.65	17	800	82.27	19	1.85	19	708	72.88	19	2.10	22	622	63.96	19	2.40			23	589	60.61	19	2.50			26	516	53.05	19	2.90	29	465	47.79	19	3.20	33	407	41.92	19	3.70	38	360	37.00	19	4.10			1.5kW							1.5kW							0.32			40576	4394	128	0.9					GR179R99 GRF179R99	4P	15	912	93.78			19			1.65	GR89 GRF89	4P	0.35	36476	3950	128	1.0	0.41	31665	3429	128	1.2	0.45	28609	3098	128	1.3	0.48	26909	2914	128	1.4	0.52	24767	2682	128	1.5	0.61			21184	2294	128	1.7	0.65	19928	2158	128	1.8	0.76			17047	1846	128	2.1			1.0	13252	1435	128	2.8	1.2			10980	1189	128			3.3	0.60	21544	2333	114	0.85	GR169R99 GRF169R99	4P	0.67	19254	2085	114	0.95	0.75	17333	1877	114	1.05			0.84	15422	1670	114	1.15	0.97	13279	1438	114	1.35	1.1	11811			1279	114	1.50	1.2	10370	1123	114	1.75	1.4	9225	999	114	1.95	3.3			3934			426	70	3.30	GR149R89 GRF149R89	4P	3.8	3398	368	70	3.90	GR149R79 GRF149R79	4P	0.82	15745	1705	39	0.85	0.91	14184	1536	57	0.90	1.1	12273	1329	61	1.05	1.2	10767	1166	63	1.20	1.4	9502	1029	65	1.35	1.6	8209	889	67	1.60	1.8	7240	784	68	1.85	2.0	6418	695	68	2.05	2.3	5716	619	69	2.30	2.5	5153	558	69	2.55																		
438	23	3.20	3.1	4.20			484	21	2.89	3.0	4.90					551	19	2.54	2.9	6.20					583	18	2.40	2.9	6.80			686	15	2.04	2.7	8.80	753	14	1.86	2.6	9.10	870			12			1.61	2.5	9.40	1000					10	1.40	2.4	9.90	240	43	3.79	3.0	1.60	GRX59 GRXF59	6P	1.5	8782	951			48	0.90	GR139R79 GRF139R79			4P	256			40			3.55	2.9	1.70	290	35	3.14			2.8	1.80	313			33	2.91			2.8			2.00	345	30	2.64	2.7	2.30	369	28	3.79	2.6	2.40	394	26	3.55	2.6	2.60	GRX59 GRXF59			4P	2.2	5809			629	55			1.35			GR139R79 GRF139R79	4P	446	23	3.14	2.5					2.80	481	21	2.91					2.4							3.10	530	19	2.64	2.4			3.50	591	17	2.37	2.3	3.90	686	15	2.04	2.2	4.50	729	14	1.92	2.2	4.80	848	12	1.65	2.1	5.60	946	11	1.48	2.0	6.10	1111	9.2	1.26	1.9	6.40	3.0	4331	469	27	1.00	GR109R79 GRF109R79	4P	4.2	3103					336	14	0.95	GR99R59 GRF99R59			4P			2.6	5024	544	14	0.85	GR109R79 GRF109R79	4P	4.7	2733	296	22	1.10	5.6	2299	249	24	1.30	6.0	2161	234	25	1.40	6.7	1930					209	25	1.55	GR109 GRF109			8P			3.0	4602	229.95	25	0.90	GR109 GRF109	8P			3.3	4066	203.16	29	1.05	3.9	3449	172.34	31			1.20	4.3	3176	158.68	32	1.30	3.7	3636	251.15	30			1.10	4.1	3329			229.95	31	1.20	GR109 GRF109	6P			4.6	2941	203.16	33			1.35	5.5	2495			172.34	34	1.60	5.9	2297	158.68	34	1.75	6.6	2053			141.83	35			1.95					5.5	2486	255.71	22	1.15	GR99 GRF99	4P	5.8			2345	241.25	23	1.20	6.5	2102	216.28	24	1.35	7.5	1811	186.30	25	1.60	8.2	1653	170.02	26	1.75	9.3	1466	150.78	26	1.95	11	1232	126.75	27	2.30	12	1132	116.48	27	2.50	14	1005	103.44			27	2.80			15	899	92.48	27	3.20			7.7	1775	182.55	11	0.95	GR89 GRF89	4P	9.0			1517	156.01	16	1.00	9.8	1390			143.03	17	1.05	11					1220	125.51	18	1.20	12	1156	118.94			18	1.30	13	1012			104.10	19	1.45	GR89 GRF89	4P	15	912	93.78	19	1.65	17	800	82.27	19	1.85	19			708	72.88	19	2.10	22			622	63.96	19	2.40	23	589	60.61	19	2.50	26	516	53.05	19	2.90	29	465	47.79	19	3.20	33			407	41.92	19	3.70	38			360			37.00	19			4.10			1.5kW										1.5kW							0.32	40576			4394	128	0.9	GR179R99 GRF179R99	4P	15	912	93.78	19	1.65	GR89 GRF89	4P	0.35	36476	3950	128	1.0	0.41	31665	3429	128	1.2	0.45	28609	3098	128			1.3	0.48	26909	2914	128	1.4	0.52	24767	2682	128			1.5	0.61	21184	2294			128	1.7	0.65	19928	2158	128			1.8	0.76	17047			1846	128	2.1	1.0	13252	1435			128	2.8	1.2	10980	1189	128	3.3	0.60	21544	2333			114	0.85	GR169R99 GRF169R99	4P	0.67	19254	2085	114	0.95	0.75	17333	1877			114	1.05	0.84	15422	1670	114	1.15	0.97	13279	1438	114	1.35	1.1	11811			1279			114	1.50	1.2	10370	1123	114	1.75	1.4	9225	999			114	1.95	3.3	3934	426	70	3.30	GR149R89 GRF149R89	4P	3.8	3398	368	70	3.90	GR149R79 GRF149R79	4P	0.82	15745	1705	39	0.85	0.91	14184	1536	57	0.90	1.1	12273	1329	61	1.05	1.2	10767	1166	63	1.20	1.4	9502	1029	65	1.35	1.6	8209	889	67	1.60	1.8	7240	784	68	1.85	2.0	6418	695	68	2.05	2.3	5716	619	69	2.30	2.5	5153	558	69	2.55		
484	21	2.89	3.0	4.90			551	19	2.54	2.9	6.20					583	18	2.40	2.9	6.80					686	15	2.04	2.7	8.80			753	14	1.86	2.6	9.10	870	12	1.61	2.5	9.40	1000			10			1.40	2.4	9.90	240					43	3.79	3.0	1.60	GRX59 GRXF59	6P	1.5	8782	951			48	0.90	GR139R79 GRF139R79			4P	256					40			3.55			2.9	1.70	290	35	3.14	2.8			1.80	313	33	2.91	2.8	2.00	345			30	2.64	2.7	2.30	369	28	3.79	2.6	2.40	394	26	3.55	2.6	2.60	GRX59 GRXF59	4P	2.2	5809	629					55	1.35			GR139R79 GRF139R79	4P			446					23	3.14	2.5	2.80					481	21	2.91	2.4					3.10							530	19	2.64	2.4	3.50			591	17	2.37	2.3	3.90	686	15	2.04	2.2	4.50	729	14	1.92	2.2	4.80	848	12	1.65	2.1	5.60	946	11	1.48	2.0	6.10	1111	9.2	1.26	1.9	6.40	3.0	4331	469	27	1.00	GR109R79 GRF109R79	4P	4.2	3103	336					14	0.95	GR99R59 GRF99R59							4P	2.6	5024	544	14			0.85	GR109R79 GRF109R79	4P	4.7	2733	296	22	1.10	5.6	2299	249	24	1.30	6.0	2161	234	25					1.40	6.7	1930							209	25	1.55	GR109 GRF109	8P			3.0	4602	229.95	25	0.90	GR109 GRF109	8P	3.3	4066	203.16	29	1.05	3.9	3449	172.34	31	1.20	4.3	3176	158.68	32	1.30	3.7			3636	251.15	30			1.10	4.1	3329			229.95	31	1.20	GR109 GRF109	6P	4.6			2941	203.16	33			1.35	5.5	2495	172.34	34	1.60	5.9	2297	158.68	34			1.75	6.6			2053					141.83	35	1.95	5.5	2486			255.71			22	1.15	GR99 GRF99	4P	5.8	2345	241.25	23	1.20	6.5	2102	216.28	24	1.35	7.5	1811	186.30	25	1.60	8.2	1653	170.02	26	1.75	9.3	1466	150.78	26	1.95	11	1232	126.75	27	2.30	12	1132	116.48			27	2.50			14	1005	103.44	27	2.80			15	899	92.48	27	3.20			7.7	1775	182.55	11	0.95	GR89 GRF89	4P	9.0	1517			156.01	16	1.00	9.8					1390	143.03	17	1.05	11	1220	125.51			18	1.20	12	1156			118.94	18	1.30			13	1012	104.10	19	1.45	GR89 GRF89	4P	15	912	93.78	19			1.65	17	800	82.27	19			1.85	19	708	72.88	19	2.10	22	622	63.96	19	2.40	23	589	60.61	19	2.50	26	516	53.05	19			2.90	29	465	47.79	19			3.20			33	407			41.92			19	3.70	38	360							37.00	19	4.10			1.5kW							1.5kW							0.32	40576			4394	128	0.9	GR179R99 GRF179R99	4P	15	912	93.78	19	1.65	GR89 GRF89	4P	0.35	36476	3950	128	1.0	0.41	31665	3429	128	1.2	0.45	28609	3098	128			1.3	0.48	26909	2914			128	1.4	0.52	24767	2682	128			1.5	0.61	21184			2294	128	1.7	0.65	19928	2158			128	1.8	0.76	17047	1846	128	2.1	1.0	13252	1435			128	2.8			1.2	10980	1189	128	3.3	0.60	21544	2333			114	0.85	GR169R99 GRF169R99	4P	0.67	19254	2085	114	0.95	0.75	17333	1877	114	1.05			0.84			15422	1670	114	1.15	0.97	13279	1438	114	1.35	1.1			11811	1279	114	1.50	1.2	10370	1123	114	1.75	1.4	9225	999	114	1.95			3.3	3934	426	70	3.30	GR149R89 GRF149R89	4P	3.8	3398	368	70	3.90	GR149R79 GRF149R79	4P	0.82	15745	1705	39	0.85	0.91	14184	1536	57	0.90	1.1	12273	1329	61	1.05	1.2	10767	1166	63	1.20	1.4	9502	1029	65	1.35	1.6	8209	889	67	1.60	1.8	7240	784	68	1.85	2.0	6418	695
551	19	2.54	2.9	6.20			583	18	2.40	2.9	6.80					686	15	2.04	2.7	8.80					753	14	1.86	2.6	9.10			870	12	1.61	2.5	9.40	1000	10	1.40	2.4	9.90	240			43	3.79	3.0	1.60	GRX59 GRXF59	6P	1.5		8782	951		48	0.90	GR139R79 GRF139R79	4P			256	40	3.55			2.9	1.70					290					35			3.14			2.8	1.80	313	33	2.91	2.8	2.00	345	30	2.64	2.7	2.30	369	28	3.79	2.6	2.40	394	26	3.55	2.6	2.60	GRX59 GRXF59	4P	2.2	5809	629	55	1.35	GR139R79 GRF139R79	4P			446	23	3.14					2.5	2.80							481					21	2.91	2.4	3.10					530	19	2.64	2.4					3.50							591	17	2.37	2.3	3.90			686	15	2.04	2.2	4.50	729	14	1.92	2.2	4.80	848	12	1.65	2.1	5.60	946	11	1.48	2.0	6.10	1111	9.2	1.26	1.9	6.40	3.0	4331	469	27	1.00	GR109R79 GRF109R79	4P	4.2	3103	336	14	0.95	GR99R59 GRF99R59	4P	2.6		5024	544		14	0.85			GR109R79 GRF109R79	4P					4.7	2733	296	22			1.10			5.6	2299	249	24	1.30	6.0	2161	234	25	1.40	6.7	1930	209	25					1.55	GR109 GRF109	8P							3.0	4602	229.95					25	0.90	GR109 GRF109	8P	3.3			4066	203.16	29	1.05	3.9	3449	172.34	31	1.20	4.3	3176	158.68	32	1.30	3.7	3636			251.15	30	1.10			4.1	3329	229.95			31	1.20	GR109 GRF109			6P	4.6	2941	203.16	33	1.35	5.5	2495	172.34	34	1.60	5.9	2297	158.68	34	1.75	6.6	2053			141.83	35			1.95					5.5	2486	255.71	22	1.15			GR99 GRF99			4P	5.8			2345	241.25	23	1.20	6.5	2102	216.28	24	1.35	7.5	1811	186.30	25	1.60	8.2	1653	170.02	26	1.75	9.3	1466	150.78	26	1.95	11	1232	126.75	27	2.30	12	1132	116.48	27			2.50	14	1005	103.44	27	2.80	15	899	92.48			27	3.20	7.7	1775	182.55			11	0.95	GR89 GRF89	4P	9.0			1517	156.01			16	1.00	9.8	1390					143.03	17	1.05	11	1220	125.51	18			1.20	12	1156	118.94			18	1.30	13			1012	104.10	19	1.45	GR89 GRF89			4P	15	912	93.78			19	1.65	17	800	82.27	19	1.85	19	708	72.88	19	2.10	22	622	63.96	19	2.40	23	589	60.61	19	2.50	26	516	53.05	19	2.90			29	465	47.79	19	3.20			33			407	41.92			19			3.70	38	360	37.00							19	4.10	1.5kW									1.5kW							0.32	40576	4394			128	0.9	GR179R99 GRF179R99			4P	15	912	93.78	19			1.65	GR89 GRF89	4P	0.35	36476	3950	128	1.0	0.41	31665	3429	128	1.2	0.45			28609	3098	128	1.3	0.48	26909	2914	128	1.4	0.52	24767	2682			128	1.5	0.61			21184	2294	128	1.7	0.65	19928			2158	128	1.8	0.76	17047	1846	128	2.1	1.0	13252			1435	128			2.8	1.2	10980	1189	128	3.3	0.60	21544			2333	114			0.85	GR169R99 GRF169R99	4P	0.67	19254	2085	114	0.95	0.75	17333			1877			114	1.05	0.84	15422	1670	114	1.15	0.97	13279	1438			114	1.35	1.1	11811	1279	114	1.50	1.2	10370	1123	114	1.75	1.4	9225			999	114	1.95	3.3	3934	426	70	3.30	GR149R89 GRF149R89	4P	3.8	3398			368	70	3.90	GR149R79 GRF149R79	4P	0.82	15745	1705	39	0.85	0.91	14184	1536	57	0.90	1.1	12273	1329	61	1.05	1.2	10767	1166	63	1.20	1.4	9502	1029	65	1.35	1.6	8209	889	67	1.60	1.8	7240	784
583	18	2.40	2.9	6.80			686	15	2.04	2.7	8.80					753	14	1.86	2.6	9.10					870	12	1.61	2.5	9.40			1000	10	1.40	2.4	9.90	240	43	3.79	3.0	1.60	GRX59 GRXF59	6P	1.5	8782	951	48	0.90			GR139R79 GRF139R79	4P	256	40	3.55	2.9	1.70					290	35	3.14			2.8	1.80					313					33			2.91			2.8	2.00	345	30	2.64	2.7	2.30	369	28	3.79	2.6	2.40	394	26	3.55	2.6	2.60	GRX59 GRXF59	4P	2.2	5809	629			55	1.35	GR139R79 GRF139R79	4P	446					23	3.14	2.5					2.80	481							21					2.91	2.4	3.10	530					19	2.64	2.4	3.50					591							17	2.37	2.3	3.90	686			15	2.04	2.2	4.50	729	14	1.92	2.2	4.80	848	12	1.65	2.1	5.60	946	11	1.48	2.0	6.10	1111	9.2	1.26	1.9	6.40	3.0	4331	469	27	1.00	GR109R79 GRF109R79	4P	4.2	3103	336	14	0.95	GR99R59 GRF99R59			4P	2.6	5024	544	14	0.85	GR109R79 GRF109R79						4P	4.7		2733	296	22	1.10			5.6			2299	249	24	1.30	6.0	2161	234	25	1.40	6.7	1930	209	25	1.55		GR109 GRF109	8P		3.0				4602	229.95				25	0.90	GR109 GRF109					8P	3.3			4066			203.16	29	1.05	3.9	3449	172.34	31	1.20	4.3	3176	158.68	32	1.30	3.7	3636	251.15			30	1.10	4.1			3329	229.95	31			1.20	GR109 GRF109					6P	4.6	2941	203.16	33	1.35	5.5	2495	172.34	34	1.60	5.9	2297	158.68	34	1.75	6.6			2053	141.83	35	1.95	5.5					2486	255.71	22	1.15	GR99 GRF99							4P			5.8	2345	241.25	23	1.20	6.5	2102	216.28	24	1.35	7.5	1811	186.30	25	1.60	8.2	1653	170.02	26	1.75	9.3	1466	150.78	26	1.95	11	1232	126.75	27	2.30	12	1132	116.48	27	2.50	14	1005	103.44	27	2.80	15	899	92.48	27			3.20	7.7	1775	182.55	11			0.95	GR89 GRF89			4P			9.0	1517	156.01	16	1.00	9.8	1390	143.03					17	1.05	11	1220	125.51	18	1.20			12	1156	118.94	18			1.30	13	1012			104.10	19	1.45	GR89 GRF89					4P	15	912			93.78	19	1.65	17	800	82.27	19	1.85	19	708	72.88	19	2.10	22	622	63.96	19	2.40	23	589	60.61	19	2.50	26	516	53.05	19			2.90	29	465	47.79	19	3.20	33	407			41.92	19			3.70			38	360	37.00	19							4.10	1.5kW							1.5kW								0.32	40576	4394	128	0.9			GR179R99 GRF179R99	4P					15	912	93.78	19			1.65			GR89 GRF89	4P	0.35	36476	3950	128	1.0	0.41	31665	3429	128	1.2	0.45	28609	3098	128	1.3	0.48	26909	2914	128	1.4	0.52	24767	2682			128	1.5	0.61			21184	2294	128	1.7	0.65	19928			2158	128	1.8	0.76	17047	1846	128	2.1	1.0	13252	1435	128	2.8	1.2			10980	1189	128	3.3	0.60	21544	2333	114			0.85	GR169R99 GRF169R99			4P			0.67	19254	2085	114	0.95	0.75	17333			1877			114	1.05	0.84	15422	1670	114	1.15	0.97	13279	1438			114	1.35	1.1	11811	1279	114	1.50	1.2	10370	1123	114	1.75	1.4	9225			999	114	1.95	3.3	3934	426	70	3.30	GR149R89 GRF149R89	4P	3.8	3398			368	70	3.90			GR149R79 GRF149R79	4P	0.82	15745	1705	39	0.85	0.91	14184	1536	57	0.90	1.1	12273	1329	61	1.05	1.2	10767	1166	63	1.20	1.4	9502	1029	65	1.35	1.6	8209	889	67	1.60	1.8
686	15	2.04	2.7	8.80			753	14	1.86	2.6	9.10					870	12	1.61	2.5	9.40					1000	10	1.40	2.4	9.90			240	43	3.79	3.0	1.60	GRX59 GRXF59	6P	1.5	8782	951			48	0.90	GR139R79 GRF139R79	4P	256					40	3.55	2.9	1.70	290					35	3.14	2.8			1.80	313					33		2.91	2.8		2.00			345	30	2.64	2.7	2.30	369	28	3.79	2.6	2.40	394	26	3.55	2.6	2.60	GRX59 GRXF59	4P	2.2	5809	629			55	1.35	GR139R79 GRF139R79			4P	446			23					3.14	2.5	2.80					481	21							2.91					2.4	3.10	530	19					2.64	2.4	3.50	591	17	2.37			2.3			3.90	686			15	2.04	2.2	4.50	729			14	1.92	2.2	4.80	848	12	1.65	2.1	5.60	946	11	1.48	2.0	6.10	1111	9.2	1.26	1.9	6.40	3.0	4331	469	27	1.00	GR109R79 GRF109R79	4P	4.2	3103	336	14	0.95	GR99R59 GRF99R59	4P	2.6	5024	544					14	0.85	GR109R79 GRF109R79	4P	4.7			2733			296		22		1.10	5.6	2299	249	24	1.30	6.0			2161	234	25	1.40	6.7	1930	209	25	1.55	GR109 GRF109	8P	3.0	4602	229.95	25			0.90	GR109 GRF109				8P	3.3		4066	203.16	29	1.05							3.9			3449			172.34	31	1.20	4.3	3176	158.68	32	1.30	3.7	3636	251.15	30	1.10	4.1	3329	229.95	31	1.20	GR109 GRF109	6P	4.6			2941	203.16	33			1.35							5.5	2495	172.34	34	1.60	5.9	2297	158.68	34	1.75	6.6	2053	141.83	35	1.95	5.5			2486	255.71	22	1.15	GR99 GRF99					4P	5.8	2345	241.25											23	1.20	6.5	2102	216.28	24	1.35	7.5	1811	186.30	25	1.60	8.2	1653	170.02	26	1.75	9.3	1466	150.78	26	1.95	11	1232	126.75	27	2.30	12	1132	116.48	27	2.50	14	1005	103.44	27	2.80	15	899	92.48	27	3.20	7.7	1775	182.55	11	0.95	GR89 GRF89	4P	9.0	1517			156.01							16	1.00	9.8	1390	143.03	17	1.05	11					1220	125.51	18	1.20	12	1156	118.94			18	1.30	13	1012			104.10	19	1.45			GR89 GRF89	4P	15							912	93.78	19	1.65	17	800	82.27	19	1.85	19	708	72.88	19	2.10	22	622	63.96	19	2.40	23	589	60.61	19	2.50	26	516	53.05	19	2.90	29	465			47.79	19	3.20	33	407	41.92	19	3.70			38	360			37.00			19	4.10	1.5kW								1.5kW							0.32	40576			4394	128	0.9			GR179R99 GRF179R99	4P	15	912	93.78									19	1.65	GR89 GRF89	4P			0.35					36476	3950	128	1.0	0.41	31665	3429	128	1.2	0.45	28609	3098	128	1.3	0.48	26909	2914	128	1.4	0.52	24767	2682	128			1.5	0.61	21184	2294	128	1.7	0.65	19928	2158	128	1.8			0.76	17047	1846	128	2.1	1.0	13252	1435	128	2.8	1.2	10980	1189	128			3.3	0.60	21544	2333	114	0.85	GR169R99 GRF169R99	4P			0.67							19254	2085	114	0.95	0.75	17333	1877			114			1.05	0.84	15422	1670	114	1.15	0.97	13279	1438	114			1.35	1.1	11811	1279	114	1.50	1.2	10370	1123	114	1.75	1.4	9225	999			114	1.95	3.3	3934	426	70	3.30	GR149R89 GRF149R89	4P	3.8	3398	368			70	3.90	GR149R79 GRF149R79					4P	0.82	15745	1705	39	0.85	0.91	14184	1536	57	0.90	1.1	12273	1329	61	1.05	1.2	10767	1166	63	1.20	1.4	9502	1029	65	1.35	1.6	8209	889	67	1.60
753	14	1.86	2.6	9.10			870	12	1.61	2.5	9.40					1000	10	1.40	2.4	9.90	240			43	3.79	3.0	1.60	GRX59 GRXF59	6P	1.5	8782	951	48	0.90	GR139R79 GRF139R79	4P			256	40	3.55			2.9	1.70			290					35	3.14	2.8	1.80	313					33	2.91	2.8			2.00	345		30	2.64		2.7		2.30	369		28	3.79	2.6	2.40	394	26	3.55	2.6	2.60	GRX59 GRXF59	4P	2.2	5809	629	55	1.35	GR139R79 GRF139R79	4P			446	23	3.14			2.5	2.80					481			21					2.91	2.4	3.10					530	19							2.64					2.4	3.50	591	17					2.37	2.3	3.90	686	15	2.04			2.2			4.50	729	14	1.92	2.2	4.80	848	12	1.65	2.1	5.60	946	11	1.48	2.0	6.10	1111	9.2	1.26	1.9	6.40	3.0	4331	469	27	1.00	GR109R79 GRF109R79	4P	4.2	3103	336	14	0.95	GR99R59 GRF99R59	4P	2.6	5024	544	14	0.85	GR109R79 GRF109R79	4P			4.7	2733	296					22	1.10			5.6		2299	249			24		1.30	6.0	2161	234	25	1.40	6.7	1930	209	25	1.55	GR109 GRF109	8P	3.0	4602	229.95	25	0.90	GR109 GRF109	8P			3.3	4066	203.16	29			1.05				3.9		3449	172.34	31	1.20	4.3	3176				158.68	32		1.30			3.7			3636	251.15	30	1.10	4.1	3329	229.95	31	1.20	GR109 GRF109	6P	4.6	2941	203.16	33	1.35	5.5	2495			172.34	34	1.60	5.9	2297	158.68			34							1.75	6.6	2053	141.83	35	1.95	5.5	2486	255.71	22	1.15	GR99 GRF99	4P	5.8	2345	241.25			23	1.20	6.5	2102			216.28	24			1.35	7.5	1811											186.30	25	1.60	8.2	1653	170.02	26	1.75	9.3	1466	150.78	26	1.95	11	1232	126.75	27	2.30	12	1132	116.48	27	2.50	14	1005	103.44	27	2.80	15	899	92.48	27	3.20	7.7	1775	182.55	11	0.95	GR89 GRF89	4P	9.0	1517	156.01	16	1.00	9.8	1390			143.03	17	1.05	11	1220							125.51	18	1.20	12	1156	118.94	18	1.30			13	1012	104.10	19	1.45	GR89 GRF89	4P	15	912			93.78	19	1.65	17			800	82.27	19					1.85							19	708	72.88	19	2.10	22	622	63.96	19	2.40	23	589	60.61	19	2.50	26	516	53.05	19	2.90	29	465	47.79	19	3.20	33	407	41.92	19	3.70	38	360	37.00	19	4.10	1.5kW								1.5kW							0.32	40576	4394	128							0.9	GR179R99 GRF179R99	4P			15	912	93.78	19			1.65	GR89 GRF89	4P					0.35	36476	3950									128	1.0					0.41					31665	3429	128	1.2	0.45	28609	3098	128	1.3	0.48	26909	2914	128	1.4	0.52	24767	2682	128	1.5	0.61	21184	2294	128			1.7	0.65	19928	2158	128	1.8	0.76	17047	1846	128	2.1			1.0	13252	1435	128	2.8	1.2	10980	1189	128	3.3	0.60	21544	2333	114			0.85	GR169R99 GRF169R99	4P	0.67	19254	2085			114	0.95	0.75							17333	1877	114	1.05	0.84	15422	1670			114			1.15	0.97	13279	1438	114	1.35	1.1	11811	1279	114			1.50	1.2	10370	1123	114	1.75	1.4	9225	999	114	1.95	3.3	3934	426			70	3.30	GR149R89 GRF149R89	4P	3.8	3398	368	70	3.90	GR149R79 GRF149R79	4P	0.82			15745	1705							39	0.85	0.91	14184	1536	57	0.90	1.1	12273	1329	61	1.05	1.2	10767	1166	63	1.20	1.4	9502	1029	65	1.35	1.6	8209	889	67	1.60	1.8	7240	784
870	12	1.61	2.5	9.40			1000	10	1.40	2.4	9.90			240	43	3.79	3.0	1.60	GRX59 GRXF59	6P	1.5	8782	951	48	0.90	GR139R79 GRF139R79	4P			256	40	3.55	2.9	1.70					290	35	3.14			2.8	1.80			313					33	2.91	2.8	2.00	345					30	2.64	2.7	2.30	369	28	3.79		2.6	2.40		394	26	3.55	2.6	2.60	GRX59 GRXF59	4P	2.2	5809	629	55	1.35	GR139R79 GRF139R79	4P			446	23	3.14	2.5	2.80					481	21	2.91			2.4	3.10					530			19					2.64	2.4	3.50					591	17							2.37					2.3	3.90	686	15					2.04	2.2	4.50	729	14	1.92			2.2			4.80	848	12	1.65	2.1	5.60	946	11	1.48	2.0	6.10	1111	9.2	1.26	1.9	6.40	3.0	4331	469	27	1.00	GR109R79 GRF109R79	4P	4.2	3103	336	14	0.95	GR99R59 GRF99R59	4P	2.6	5024	544			14	0.85	GR109R79 GRF109R79	4P	4.7					2733	296	22		1.10	5.6		2299	249			24		1.30	6.0	2161	234	25		1.40	6.7	1930	209	25	1.55	GR109 GRF109	8P	3.0	4602	229.95			25	0.90	GR109 GRF109	8P	3.3					4066	203.16	29	1.05			3.9				3449		172.34	31	1.20	4.3	3176	158.68		32	1.30	3.7	3636		251.15			30	1.10	4.1	3329	229.95	31	1.20	GR109 GRF109	6P	4.6	2941	203.16			33	1.35	5.5	2495	172.34	34	1.60			5.9	2297	158.68	34	1.75	6.6	2053	141.83	35							1.95	5.5	2486	255.71	22	1.15	GR99 GRF99	4P	5.8	2345	241.25			23	1.20	6.5			2102	216.28	24	1.35			7.5	1811			186.30	25	1.60					8.2	1653					170.02	26	1.75	9.3	1466	150.78	26	1.95	11	1232	126.75	27	2.30	12	1132	116.48	27	2.50	14	1005	103.44	27	2.80	15	899	92.48	27	3.20	7.7	1775	182.55	11	0.95	GR89 GRF89	4P	9.0	1517	156.01			16	1.00	9.8	1390	143.03	17	1.05			11	1220	125.51	18	1.20					12	1156	118.94	18	1.30	13	1012	104.10	19	1.45			GR89 GRF89	4P	15	912	93.78			19	1.65			17	800	82.27	19	1.85	19	708	72.88	19					2.10							22	622	63.96	19	2.40	23	589	60.61	19	2.50	26	516	53.05	19	2.90	29	465	47.79	19	3.20	33	407	41.92	19	3.70	38	360	37.00	19	4.10	1.5kW							1.5kW							0.32			40576	4394	128	0.9	GR179R99 GRF179R99	4P	15							912			93.78	19	1.65	GR89 GRF89	4P	0.35			36476							3950	128	1.0									0.41	31665					3429					128	1.2	0.45	28609	3098	128	1.3	0.48	26909	2914	128	1.4	0.52	24767	2682	128	1.5	0.61	21184	2294	128	1.7	0.65	19928	2158	128	1.8	0.76	17047	1846	128	2.1	1.0	13252	1435	128			2.8	1.2	10980	1189	128	3.3	0.60	21544	2333	114	0.85	GR169R99 GRF169R99	4P	0.67			19254			2085	114	0.95			0.75	17333	1877							114	1.05	0.84	15422	1670	114	1.15			0.97	13279	1438	114	1.35	1.1	11811	1279	114	1.50	1.2	10370	1123			114	1.75	1.4	9225	999	114	1.95	3.3	3934	426	70	3.30	GR149R89 GRF149R89	4P			3.8	3398	368	70	3.90	GR149R79 GRF149R79	4P	0.82	15745			1705			39	0.85							0.91	14184	1536	57	0.90	1.1	12273	1329	61	1.05	1.2	10767	1166	63	1.20	1.4	9502	1029	65	1.35	1.6	8209	889	67	1.60	1.8	7240	784	68	1.85
1000	10	1.40	2.4	9.90	240	43	3.79	3.0	1.60	GRX59 GRXF59	6P	1.5	8782	951	48	0.90	GR139R79 GRF139R79	4P			256	40	3.55	2.9	1.70					290	35	3.14	2.8	1.80					313	33	2.91			2.8	2.00			345					30	2.64	2.7	2.30	369			28	3.79	2.6	2.40	394	26	3.55	2.6	2.60	GRX59 GRXF59	4P	2.2	5809	629	55	1.35	GR139R79 GRF139R79	4P			446	23	3.14	2.5	2.80					481	21	2.91	2.4	3.10					530	19	2.64			2.4	3.50					591			17					2.37	2.3	3.90					686	15							2.04					2.2	4.50	729	14		1.92	2.2		4.80	848	12	1.65	2.1	5.60	946	11	1.48			2.0	6.10	1111	9.2	1.26	1.9	6.40	3.0	4331	469	27	1.00	GR109R79 GRF109R79	4P	4.2	3103	336	14	0.95	GR99R59 GRF99R59	4P	2.6	5024	544	14	0.85	GR109R79 GRF109R79	4P			4.7	2733	296			22	1.10			5.6					2299	249	24	1.30	6.0	2161	234	25	1.40			6.7	1930	209	25	1.55	GR109 GRF109	8P	3.0	4602	229.95	25	0.90	GR109 GRF109	8P			3.3	4066	203.16			29	1.05			3.9					3449	172.34	31	1.20			4.3		3176	158.68	32		1.30	3.7	3636	251.15	30	1.10		4.1	3329	229.95	31		1.20	GR109 GRF109	6P	4.6	2941	203.16	33	1.35	5.5	2495			172.34	34	1.60			5.9	2297	158.68	34	1.75	6.6	2053			141.83	35	1.95	5.5	2486	255.71	22	1.15	GR99 GRF99			4P	5.8			2345	241.25	23	1.20	6.5	2102			216.28	24	1.35			7.5	1811	186.30			25	1.60	8.2	1653			170.02	26			1.75	9.3	1466					150.78	26					1.95	11	1232	126.75	27	2.30	12	1132	116.48	27	2.50	14	1005	103.44	27	2.80	15	899	92.48	27	3.20	7.7	1775	182.55	11	0.95	GR89 GRF89	4P	9.0	1517	156.01	16	1.00			9.8	1390	143.03			17	1.05	11	1220	125.51	18	1.20			12	1156	118.94	18	1.30		13	1012		104.10	19	1.45	GR89 GRF89	4P	15	912	93.78	19	1.65					17	800	82.27			19	1.85			19	708	72.88	19	2.10	22	622	63.96	19					2.40							23	589	60.61	19	2.50	26	516	53.05	19	2.90	29	465	47.79	19	3.20	33	407	41.92	19	3.70	38	360	37.00	19	4.10	1.5kW							1.5kW							0.32	40576	4394	128	0.9	GR179R99 GRF179R99			4P	15	912	93.78			19							1.65			GR89 GRF89	4P	0.35			36476			3950							128	1.0	0.41									31665	3429					128					1.2	0.45	28609	3098	128	1.3	0.48	26909	2914	128	1.4	0.52	24767	2682	128	1.5	0.61	21184	2294	128	1.7	0.65	19928	2158	128	1.8	0.76	17047	1846	128	2.1	1.0	13252	1435	128	2.8	1.2	10980	1189	128	3.3	0.60	21544	2333	114	0.85	GR169R99 GRF169R99	4P	0.67			19254			2085			114	0.95	0.75			17333	1877	114							1.05	0.84	15422	1670	114	1.15	0.97			13279	1438	114	1.35	1.1	11811	1279	114	1.50	1.2	10370	1123	114			1.75	1.4	9225	999	114	1.95	3.3	3934	426	70	3.30	GR149R89 GRF149R89	4P	3.8			3398	368	70	3.90	GR149R79 GRF149R79			4P	0.82			15745			1705	39							0.85	0.91	14184	1536	57	0.90	1.1	12273	1329	61	1.05	1.2	10767	1166	63	1.20	1.4	9502	1029	65	1.35	1.6	8209	889	67	1.60	1.8	7240	784	68
240	43	3.79	3.0	1.60	GRX59 GRXF59	6P	1.5	8782	951			48	0.90	GR139R79 GRF139R79	4P																																																																																																																																																																																																																																																																																																																																																																																																																																																																																																																																																																																																																																																																																																																							
256	40	3.55	2.9	1.70			290	35	3.14			2.8	1.80			313					33	2.91	2.8	2.00	345					30	2.64	2.7	2.30	369					28	3.79	2.6	2.40	394	26	3.55			2.6	2.60	GRX59 GRXF59	4P	2.2	5809	629	55	1.35	GR139R79 GRF139R79	4P	446	23	3.14	2.5	2.80	481	21	2.91	2.4	3.10			530	19	2.64	2.4	3.50					591	17	2.37	2.3	3.90					686	15	2.04	2.2	4.50					729	14	1.92			2.2	4.80					848			12					1.65	2.1	5.60					946	11							1.48					2.0	6.10	1111	9.2	1.26	1.9	6.40	3.0	4331	469	27	1.00	GR109R79 GRF109R79	4P	4.2	3103	336	14	0.95	GR99R59 GRF99R59	4P	2.6	5024	544	14	0.85	GR109R79 GRF109R79	4P	4.7	2733	296	22	1.10	5.6	2299	249	24	1.30			6.0	2161	234	25	1.40					6.7	1930	209	25	1.55	GR109 GRF109	8P			3.0	4602	229.95	25	0.90	GR109 GRF109	8P	3.3	4066	203.16	29	1.05	3.9	3449	172.34	31	1.20	4.3	3176	158.68	32			1.30	3.7	3636	251.15	30					1.10	4.1	3329			229.95	31			1.20			GR109 GRF109	6P	4.6	2941	203.16	33	1.35	5.5	2495	172.34	34	1.60	5.9	2297	158.68	34	1.75	6.6	2053	141.83	35	1.95	5.5	2486	255.71	22	1.15			GR99 GRF99	4P	5.8	2345	241.25	23	1.20			6.5	2102	216.28			24	1.35	7.5	1811	186.30	25	1.60			8.2	1653	170.02	26	1.75	9.3	1466	150.78		26	1.95		11	1232	126.75	27	2.30	12	1132	116.48	27			2.50	14	1005			103.44	27	2.80	15	899	92.48	27	3.20	7.7		1775	182.55	11	0.95		GR89 GRF89	4P	9.0					1517	156.01					16	1.00	9.8	1390	143.03	17	1.05	11	1220	125.51	18	1.20	12	1156	118.94	18	1.30	13	1012	104.10	19	1.45	GR89 GRF89	4P	15	912			93.78	19	1.65	17	800			82.27	19	1.85			19	708	72.88	19	2.10	22	622	63.96	19	2.40	23	589	60.61	19	2.50	26	516	53.05	19	2.90	29			465	47.79	19	3.20	33	407	41.92			19	3.70	38			360	37.00	19	4.10	1.5kW							1.5kW													0.32	40576	4394	128	0.9	GR179R99 GRF179R99	4P	15	912	93.78	19	1.65	GR89 GRF89	4P	0.35	36476	3950	128	1.0	0.41	31665	3429	128	1.2	0.45	28609	3098	128	1.3	0.48	26909	2914	128	1.4	0.52	24767	2682	128	1.5	0.61	21184	2294	128	1.7					0.65	19928	2158			128	1.8	0.76	17047	1846			128					2.1			1.0	13252	1435	128							2.8	1.2	10980									1189	128					3.3					0.60	21544	2333	114	0.85	GR169R99 GRF169R99	4P	0.67	19254	2085	114	0.95	0.75	17333	1877	114	1.05	0.84	15422	1670	114	1.15	0.97	13279	1438	114	1.35	1.1	11811	1279	114	1.50	1.2	10370	1123	114	1.75	1.4	9225	999	114	1.95	3.3	3934	426	70			3.30			GR149R89 GRF149R89	4P	3.8	3398			368	70	3.90			GR149R79 GRF149R79	4P	0.82		15745	1705				39	0.85	0.91	14184	1536	57	0.90	1.1	12273	1329	61	1.05	1.2	10767	1166	63	1.20	1.4	9502	1029	65	1.35	1.6	8209	889	67	1.60	1.8	7240	784	68	1.85	2.0	6418	695	68	2.05	2.3			5716	619	69	2.30					2.5			5153			558	69							2.55																													
290	35	3.14	2.8	1.80			313	33	2.91			2.8	2.00			345					30	2.64	2.7	2.30	369					28	3.79	2.6	2.40	394			26	3.55	2.6	2.60	GRX59 GRXF59	4P	2.2	5809	629	55	1.35	GR139R79 GRF139R79	4P			446	23	3.14	2.5	2.80			481	21	2.91	2.4	3.10	530	19	2.64	2.4	3.50			591	17	2.37	2.3	3.90					686	15	2.04	2.2	4.50					729	14	1.92	2.2	4.80					848	12	1.65			2.1	5.60					946			11					1.48	2.0	6.10					1111	9.2	1.26	1.9					6.40	3.0	4331			469	27	1.00	GR109R79 GRF109R79	4P	4.2	3103	336	14	0.95	GR99R59 GRF99R59	4P	2.6	5024	544	14	0.85	GR109R79 GRF109R79	4P			4.7	2733	296	22	1.10			5.6	2299	249	24	1.30	6.0	2161	234	25	1.40			6.7	1930	209	25	1.55			GR109 GRF109	8P	3.0	4602	229.95	25	0.90			GR109 GRF109	8P	3.3	4066	203.16	29	1.05			3.9	3449	172.34	31	1.20	4.3	3176	158.68	32	1.30	3.7	3636	251.15	30			1.10	4.1	3329	229.95	31					1.20	GR109 GRF109	6P	4.6	2941	203.16	33			1.35	5.5	2495			172.34	34	1.60	5.9	2297	158.68	34	1.75	6.6	2053	141.83	35	1.95	5.5	2486	255.71	22	1.15	GR99 GRF99	4P	5.8	2345	241.25	23	1.20					6.5	2102	216.28	24	1.35			7.5	1811	186.30			25	1.60	8.2	1653	170.02	26	1.75	9.3	1466	150.78	26	1.95	11	1232	126.75	27	2.30		12	1132		116.48	27	2.50	14	1005	103.44	27	2.80	15			899	92.48	27			3.20	7.7	1775	182.55	11	0.95	GR89 GRF89	4P	9.0		1517	156.01	16	1.00				9.8		1390	143.03		17	1.05					11	1220	125.51	18	1.20	12	1156	118.94	18	1.30	13	1012	104.10	19	1.45	GR89 GRF89	4P	15	912	93.78	19	1.65			17	800			82.27	19	1.85	19	708			72.88	19	2.10	22	622	63.96	19	2.40	23	589	60.61	19	2.50	26	516	53.05	19	2.90	29	465	47.79	19	3.20	33	407	41.92			19	3.70	38	360	37.00	19	4.10			1.5kW							1.5kW							0.32	40576	4394	128	0.9	GR179R99 GRF179R99			4P							15	912	93.78	19	1.65			GR89 GRF89	4P	0.35	36476	3950			128	1.0	0.41	31665	3429	128	1.2	0.45	28609	3098	128	1.3	0.48	26909	2914	128	1.4	0.52	24767	2682	128	1.5	0.61	21184	2294	128	1.7	0.65	19928	2158		128	1.8		0.76	17047	1846			128	2.1	1.0	13252	1435			128					2.8			1.2	10980	1189	128							3.3	0.60	21544	2333	114							0.85	GR169R99 GRF169R99					4P					0.67	19254	2085	114	0.95			0.75	17333	1877	114	1.05	0.84	15422	1670	114	1.15	0.97	13279	1438	114	1.35	1.1	11811	1279	114	1.50	1.2	10370	1123	114	1.75	1.4	9225	999	114	1.95	3.3	3934	426	70	3.30	GR149R89 GRF149R89	4P	3.8	3398			368			70	3.90	GR149R79 GRF149R79	4P			0.82	15745	1705					39		0.85	0.91		14184	1536	57	0.90	1.1	12273	1329	61	1.05	1.2	10767	1166	63	1.20	1.4	9502	1029	65	1.35	1.6	8209	889	67	1.60	1.8	7240	784	68	1.85	2.0	6418	695	68	2.05	2.3	5716	619	69	2.30	2.5	5153	558	69	2.55																																																		
313	33	2.91	2.8	2.00			345	30	2.64			2.7	2.30			369					28	3.79	2.6	2.40	394			26	3.55	2.6	2.60	GRX59 GRXF59	4P	2.2	5809	629	55	1.35	GR139R79 GRF139R79	4P			446	23	3.14	2.5	2.80					481	21	2.91	2.4	3.10			530	19	2.64	2.4	3.50	591	17	2.37	2.3	3.90			686	15	2.04	2.2	4.50					729	14	1.92	2.2	4.80					848	12	1.65	2.1	5.60					946	11	1.48			2.0	6.10					1111			9.2					1.26	1.9	6.40		3.0	4331		469	27	1.00	GR109R79 GRF109R79			4P	4.2	3103	336	14			0.95	GR99R59 GRF99R59	4P	2.6	5024	544	14	0.85	GR109R79 GRF109R79	4P			4.7	2733	296	22	1.10					5.6	2299	249	24	1.30			6.0	2161	234	25	1.40	6.7	1930	209	25	1.55	GR109 GRF109	8P	3.0	4602	229.95	25	0.90	GR109 GRF109	8P			3.3	4066	203.16	29	1.05					3.9	3449	172.34	31	1.20			4.3	3176	158.68	32	1.30	3.7	3636	251.15	30	1.10	4.1	3329	229.95	31			1.20	GR109 GRF109	6P	4.6	2941			203.16	33	1.35			5.5	2495	172.34	34	1.60	5.9	2297	158.68	34			1.75	6.6	2053	141.83	35	1.95	5.5	2486	255.71	22	1.15	GR99 GRF99	4P	5.8	2345	241.25	23	1.20			6.5	2102	216.28	24	1.35					7.5	1811	186.30	25	1.60			8.2	1653	170.02	26	1.75	9.3	1466	150.78	26	1.95	11	1232	126.75	27	2.30	12	1132	116.48	27	2.50	14	1005		103.44	27		2.80	15	899	92.48	27	3.20	7.7	1775	182.55			11	0.95	GR89 GRF89			4P	9.0	1517	156.01	16	1.00			9.8		1390	143.03	17	1.05				11		1220	125.51		18	1.20			12	1156	118.94	18	1.30	13	1012	104.10	19	1.45	GR89 GRF89	4P	15	912	93.78	19	1.65			17	800	82.27	19	1.85			19	708			72.88	19	2.10	22	622	63.96	19	2.40	23	589	60.61	19	2.50	26	516	53.05	19	2.90	29	465	47.79	19	3.20	33	407	41.92	19	3.70	38	360	37.00	19	4.10			1.5kW									1.5kW							0.32	40576	4394	128	0.9	GR179R99 GRF179R99	4P	15	912	93.78	19	1.65							GR89 GRF89	4P			0.35	36476	3950	128	1.0					0.41	31665	3429			128	1.2	0.45	28609	3098	128	1.3	0.48	26909	2914	128	1.4	0.52	24767	2682	128	1.5	0.61	21184	2294	128	1.7	0.65	19928	2158	128	1.8	0.76	17047	1846		128	2.1		1.0	13252	1435			128	2.8	1.2	10980	1189	128	3.3	0.60					21544			2333	114	0.85	GR169R99 GRF169R99							4P	0.67	19254	2085	114							0.95				0.75	17333						1877	114	1.05	0.84	15422			1670	114	1.15	0.97	13279	1438	114	1.35	1.1	11811	1279	114	1.50	1.2	10370	1123	114	1.75	1.4	9225	999	114	1.95	3.3	3934	426	70	3.30	GR149R89 GRF149R89	4P	3.8	3398	368	70	3.90	GR149R79 GRF149R79	4P	0.82	15745			1705			39	0.85					0.91	14184	1536					57	0.90	1.1	12273	1329	61	1.05	1.2	10767	1166	63	1.20	1.4	9502	1029	65	1.35	1.6	8209	889	67	1.60	1.8	7240	784	68	1.85	2.0	6418	695	68	2.05	2.3	5716	619	69	2.30	2.5	5153	558	69	2.55																																																									
345	30	2.64	2.7	2.30			369	28	3.79			2.6	2.40			394			26	3.55	2.6	2.60	GRX59 GRXF59	4P	2.2	5809	629	55	1.35	GR139R79 GRF139R79	4P			446	23	3.14	2.5	2.80					481	21	2.91	2.4	3.10					530	19	2.64	2.4	3.50			591	17	2.37	2.3	3.90	686	15	2.04	2.2	4.50			729	14	1.92	2.2	4.80					848	12	1.65	2.1	5.60					946	11	1.48	2.0	6.10					1111	9.2	1.26			1.9	6.40					3.0			4331					469	27	1.00	GR109R79 GRF109R79	4P	4.2	3103	336	14	0.95	GR99R59 GRF99R59			4P	2.6	5024	544	14	0.85	GR109R79 GRF109R79	4P			4.7	2733	296	22	1.10					5.6	2299	249	24	1.30					6.0	2161	234	25	1.40			6.7	1930	209	25	1.55	GR109 GRF109	8P	3.0	4602	229.95			25	0.90	GR109 GRF109	8P	3.3					4066	203.16	29	1.05	3.9					3449	172.34	31	1.20	4.3			3176	158.68	32	1.30	3.7	3636	251.15	30	1.10	4.1	3329	229.95	31	1.20	GR109 GRF109	6P	4.6			2941	203.16	33	1.35	5.5	2495	172.34			34	1.60	5.9	2297	158.68	34	1.75	6.6	2053			141.83	35	1.95	5.5	2486	255.71	22	1.15	GR99 GRF99	4P	5.8			2345	241.25	23	1.20	6.5			2102	216.28	24	1.35	7.5					1811	186.30	25	1.60	8.2	1653	170.02	26	1.75	9.3	1466	150.78	26	1.95	11	1232	126.75	27	2.30	12	1132	116.48	27	2.50	14	1005	103.44	27	2.80		15	899		92.48	27	3.20	7.7	1775	182.55	11	0.95	GR89 GRF89			4P	9.0					1517	156.01	16	1.00	9.8			1390		143.03	17	1.05	11				1220		125.51	18	1.20	12	1156	118.94		18	1.30	13	1012	104.10	19	1.45	GR89 GRF89	4P	15			912	93.78	19	1.65	17			800	82.27	19	1.85	19			708	72.88	19	2.10	22	622	63.96	19	2.40	23	589	60.61	19	2.50	26	516	53.05	19	2.90	29	465	47.79	19	3.20	33	407	41.92	19	3.70	38	360	37.00	19	4.10	1.5kW							1.5kW							0.32	40576	4394			128	0.9	GR179R99 GRF179R99	4P	15	912	93.78			19	1.65	GR89 GRF89	4P	0.35						36476			3950		128	1.0	0.41	31665	3429					128	1.2	0.45			28609	3098	128	1.3	0.48	26909	2914	128	1.4	0.52	24767	2682	128	1.5	0.61	21184	2294	128	1.7	0.65	19928	2158	128	1.8	0.76	17047	1846	128	2.1	1.0		13252	1435		128	2.8	1.2			10980	1189	128	3.3	0.60	21544	2333	114					0.85			GR169R99 GRF169R99	4P	0.67				19254	2085				114	0.95	0.75	17333							1877				114	1.05		0.84	15422			1670	114	1.15	0.97	13279			1438	114	1.35	1.1	11811	1279	114	1.50	1.2	10370	1123	114	1.75	1.4	9225	999	114	1.95	3.3	3934	426	70	3.30	GR149R89 GRF149R89	4P	3.8	3398	368	70	3.90	GR149R79 GRF149R79	4P	0.82	15745	1705			39	0.85			0.91			14184	1536					57	0.90	1.1	12273	1329			61	1.05	1.2	10767	1166	63	1.20	1.4	9502	1029	65	1.35	1.6	8209	889	67	1.60	1.8	7240	784	68	1.85	2.0	6418	695	68	2.05	2.3	5716	619	69	2.30	2.5	5153	558	69	2.55																																																														
369	28	3.79	2.6	2.40			394	26	3.55	2.6	2.60	GRX59 GRXF59	4P			2.2	5809	629	55	1.35	GR139R79 GRF139R79	4P			446	23	3.14	2.5	2.80					481	21	2.91	2.4	3.10					530	19	2.64	2.4	3.50					591	17	2.37	2.3	3.90			686	15	2.04	2.2	4.50	729	14	1.92	2.2	4.80			848	12	1.65	2.1	5.60					946	11	1.48	2.0	6.10					1111	9.2	1.26	1.9	6.40					3.0	4331	469			27	1.00					GR109R79 GRF109R79			4P			4.2	3103	336	14	0.95	GR99R59 GRF99R59	4P	2.6	5024	544	14	0.85		GR109R79 GRF109R79	4P		4.7	2733	296	22	1.10					5.6	2299	249	24	1.30					6.0	2161	234	25	1.40			6.7	1930	209	25	1.55	GR109 GRF109	8P	3.0	4602	229.95	25	0.90	GR109 GRF109	8P			3.3	4066	203.16			29	1.05			3.9					3449	172.34	31	1.20	4.3					3176	158.68	32	1.30	3.7			3636	251.15	30	1.10	4.1	3329	229.95	31	1.20	GR109 GRF109	6P	4.6	2941	203.16			33			1.35	5.5	2495	172.34	34	1.60	5.9			2297	158.68	34	1.75	6.6	2053	141.83	35	1.95			5.5	2486	255.71	22	1.15	GR99 GRF99	4P	5.8			2345			241.25	23	1.20	6.5	2102			216.28	24	1.35	7.5	1811	186.30	25			1.60	8.2	1653	170.02	26	1.75	9.3	1466	150.78	26	1.95	11	1232	126.75	27	2.30	12	1132	116.48	27	2.50	14	1005	103.44	27	2.80	15	899	92.48		27	3.20		7.7	1775	182.55	11	0.95	GR89 GRF89	4P	9.0					1517					156.01	16	1.00	9.8	1390			143.03		17	1.05	11	1220				125.51	18	1.20	12	1156	118.94	18	1.30	13	1012	104.10	19	1.45	GR89 GRF89	4P	15			912			93.78	19	1.65	17	800			82.27	19	1.85	19	708			72.88	19	2.10	22	622	63.96	19	2.40	23	589	60.61	19	2.50	26	516	53.05	19	2.90	29	465	47.79	19	3.20	33	407	41.92	19	3.70	38	360	37.00	19	4.10	1.5kW							1.5kW								0.32	40576	4394			128	0.9			GR179R99 GRF179R99	4P	15			912	93.78			19					1.65	GR89 GRF89			4P	0.35	36476	3950	128	1.0	0.41					31665	3429	128			1.2	0.45	28609	3098	128	1.3	0.48	26909	2914	128	1.4	0.52	24767	2682	128	1.5	0.61	21184	2294	128	1.7	0.65	19928	2158	128	1.8	0.76	17047	1846	128		2.1	1.0		13252	1435	128			2.8	1.2	10980	1189	128	3.3	0.60	21544					2333					114				0.85	GR169R99 GRF169R99				4P	0.67	19254	2085				114	0.95		0.75				17333	1877		114	1.05	0.84	15422	1670	114	1.15	0.97	13279			1438	114	1.35	1.1	11811	1279	114	1.50	1.2	10370	1123	114	1.75	1.4	9225	999	114	1.95	3.3	3934	426	70	3.30	GR149R89 GRF149R89	4P	3.8	3398	368	70	3.90			GR149R79 GRF149R79	4P	0.82			15745	1705			39			0.85	0.91			14184	1536	57	0.90	1.1	12273	1329			61	1.05	1.2	10767	1166	63	1.20	1.4	9502	1029	65	1.35	1.6	8209	889	67	1.60	1.8	7240	784	68	1.85	2.0	6418	695	68	2.05	2.3	5716	619	69	2.30	2.5	5153	558	69	2.55																																																														
394	26	3.55	2.6	2.60	GRX59 GRXF59	4P	2.2	5809	629	55	1.35			GR139R79 GRF139R79	4P																																																																																																																																																																																																																																																																																																																																																																																																																																																																																																																																																																																																																																																																																																																							
446	23	3.14	2.5	2.80			481	21	2.91	2.4	3.10					530	19	2.64	2.4	3.50					591	17	2.37	2.3	3.90					686	15	2.04	2.2	4.50					729	14	1.92	2.2	4.80					848	12	1.65	2.1	5.60			946	11	1.48	2.0	6.10	1111	9.2	1.26	1.9	6.40			3.0	4331	469	27	1.00					GR109R79 GRF109R79	4P	4.2	3103	336					14	0.95	GR99R59 GRF99R59	4P	2.6					5024	544	14	0.85	GR109R79 GRF109R79	4P	4.7		2733	296		22	1.10	5.6	2299	249	24	1.30	6.0	2161	234	25			1.40	6.7	1930	209	25					1.55	GR109 GRF109	8P	3.0	4602			229.95	25	0.90	GR109 GRF109	8P	3.3	4066	203.16	29	1.05	3.9	3449	172.34	31	1.20	4.3	3176	158.68	32	1.30	3.7	3636	251.15			30	1.10	4.1	3329	229.95					31	1.20	GR109 GRF109			6P	4.6			2941			203.16	33	1.35	5.5	2495	172.34	34	1.60	5.9	2297	158.68	34	1.75	6.6	2053	141.83	35	1.95	5.5	2486	255.71	22	1.15	GR99 GRF99	4P	5.8	2345			241.25	23	1.20			6.5			2102	216.28	24	1.35	7.5	1811	186.30			25	1.60	8.2	1653	170.02	26	1.75	9.3	1466	150.78	26	1.95	11	1232	126.75	27			2.30			12			1132	116.48	27	2.50	14			1005	103.44	27	2.80	15	899	92.48			27	3.20	7.7	1775	182.55	11	0.95	GR89 GRF89	4P	9.0	1517	156.01	16	1.00	9.8	1390	143.03	17	1.05	11	1220	125.51	18	1.20	12	1156	118.94	18	1.30		13	1012		104.10	19	1.45	GR89 GRF89	4P			15					912		93.78	19		1.65	17	800	82.27	19	1.85	19	708	72.88	19	2.10	22	622	63.96	19	2.40	23	589	60.61	19	2.50	26	516	53.05	19	2.90	29	465	47.79			19			3.20			33	407	41.92	19	3.70			38	360	37.00	19	4.10			1.5kW							1.5kW							0.32	40576	4394	128	0.9	GR179R99 GRF179R99	4P	15	912	93.78	19	1.65	GR89 GRF89	4P	0.35	36476	3950	128	1.0	0.41	31665	3429	128			1.2	0.45	28609	3098	128	1.3	0.48			26909	2914	128	1.4	0.52	24767	2682					128			1.5	0.61			21184		2294	128		1.7					0.65	19928	2158	128	1.8	0.76					17047	1846	128			2.1	1.0	13252	1435	128	2.8	1.2	10980	1189	128	3.3	0.60	21544	2333	114	0.85	GR169R99 GRF169R99	4P	0.67	19254	2085	114	0.95	0.75	17333	1877	114	1.05	0.84	15422		1670	114		1.15	0.97	13279			1438	114	1.35	1.1	11811	1279	114	1.50					1.2					10370		1123	114	1.75						1.4	9225	999	114	1.95	3.3	3934	426	70	3.30		GR149R89 GRF149R89	4P	3.8	3398		368	70	3.90	GR149R79 GRF149R79	4P	0.82	15745	1705	39			0.85	0.91	14184	1536	57	0.90	1.1	12273	1329	61	1.05	1.2	10767	1166	63	1.20	1.4	9502	1029	65	1.35	1.6	8209	889	67	1.60	1.8	7240	784	68					1.85			2.0	6418	695	68	2.05	2.3	5716	619	69			2.30	2.5	5153	558	69	2.55																																																																																																						
481	21	2.91	2.4	3.10			530	19	2.64	2.4	3.50					591	17	2.37	2.3	3.90					686	15	2.04	2.2	4.50					729	14	1.92	2.2	4.80					848	12	1.65	2.1	5.60					946	11	1.48	2.0	6.10			1111	9.2	1.26	1.9	6.40	3.0	4331	469	27	1.00			GR109R79 GRF109R79	4P	4.2	3103	336					14	0.95	GR99R59 GRF99R59	4P	2.6					5024	544			14			0.85	GR109R79 GRF109R79	4P	4.7	2733	296			22	1.10	5.6	2299	249	24	1.30	6.0	2161	234	25	1.40	6.7	1930	209	25			1.55	GR109 GRF109	8P	3.0	4602	229.95			25	0.90			GR109 GRF109	8P	3.3	4066	203.16	29	1.05			3.9	3449	172.34	31	1.20	4.3	3176	158.68	32	1.30	3.7	3636	251.15	30	1.10	4.1	3329	229.95			31	1.20	GR109 GRF109	6P	4.6					2941	203.16		33	1.35		5.5			2495	172.34	34	1.60	5.9	2297	158.68	34	1.75	6.6	2053	141.83	35	1.95	5.5	2486	255.71	22	1.15	GR99 GRF99	4P	5.8	2345	241.25	23	1.20			6.5	2102			216.28	24	1.35			7.5			1811	186.30	25	1.60	8.2	1653	170.02	26	1.75	9.3	1466	150.78	26	1.95	11	1232	126.75	27	2.30	12	1132	116.48	27	2.50	14			1005			103.44			27	2.80	15	899	92.48			27	3.20	7.7	1775	182.55	11	0.95			GR89 GRF89	4P	9.0	1517	156.01	16	1.00			9.8	1390	143.03	17	1.05	11	1220	125.51	18	1.20	12	1156	118.94	18	1.30	13	1012	104.10	19	1.45		GR89 GRF89	4P		15	912	93.78					19		1.65	17		800	82.27	19	1.85	19	708	72.88	19	2.10	22	622	63.96	19	2.40	23	589	60.61	19	2.50	26	516	53.05	19	2.90	29	465	47.79	19	3.20	33	407	41.92	19	3.70			38			360			37.00	19	4.10	1.5kW							1.5kW							0.32	40576	4394	128	0.9	GR179R99 GRF179R99	4P	15	912	93.78	19	1.65	GR89 GRF89	4P	0.35	36476			3950	128	1.0	0.41	31665			3429	128	1.2	0.45	28609	3098	128	1.3	0.48			26909	2914	128	1.4	0.52	24767	2682	128	1.5	0.61	21184	2294	128	1.7	0.65	19928					2158			128	1.8			0.76		17047	1846		128					2.1	1.0	13252	1435	128	2.8					1.2	10980	1189			128	3.3	0.60	21544	2333	114	0.85	GR169R99 GRF169R99	4P	0.67	19254	2085	114	0.95	0.75	17333			1877	114	1.05	0.84	15422	1670	114	1.15	0.97	13279	1438	114		1.35	1.1		11811	1279	114			1.50	1.2	10370	1123	114	1.75	1.4	9225					999	114	1.95			3.3		3934	426	70		3.30	GR149R89 GRF149R89			4P	3.8	3398	368	70	3.90	GR149R79 GRF149R79	4P	0.82	15745		1705	39	0.85	0.91		14184	1536	57			0.90	1.1	12273	1329			61	1.05	1.2	10767	1166	63	1.20	1.4	9502	1029	65	1.35	1.6	8209	889	67	1.60	1.8	7240	784	68	1.85	2.0	6418	695	68	2.05	2.3	5716	619					69			2.30	2.5	5153	558	69	2.55																																																																																																																	
530	19	2.64	2.4	3.50			591	17	2.37	2.3	3.90					686	15	2.04	2.2	4.50					729	14	1.92	2.2	4.80					848	12	1.65	2.1	5.60					946	11	1.48	2.0	6.10					1111	9.2	1.26	1.9	6.40			3.0	4331	469	27	1.00	GR109R79 GRF109R79	4P	4.2	3103	336			14	0.95	GR99R59 GRF99R59	4P	2.6					5024	544			14			0.85	GR109R79 GRF109R79	4P	4.7			2733	296	22	1.10			5.6	2299	249			24	1.30	6.0	2161	234	25	1.40	6.7	1930	209	25	1.55	GR109 GRF109	8P	3.0	4602	229.95	25	0.90			GR109 GRF109	8P	3.3	4066	203.16	29	1.05					3.9	3449	172.34	31	1.20			4.3	3176	158.68	32	1.30	3.7	3636	251.15	30	1.10	4.1	3329	229.95	31	1.20	GR109 GRF109	6P	4.6			2941	203.16			33			1.35	5.5	2495	172.34		34	1.60		5.9	2297	158.68	34	1.75	6.6	2053	141.83	35	1.95	5.5	2486	255.71	22	1.15	GR99 GRF99	4P	5.8	2345	241.25	23	1.20			6.5	2102	216.28	24	1.35			7.5	1811			186.30	25	1.60			8.2	1653	170.02	26	1.75	9.3	1466	150.78	26	1.95	11	1232	126.75	27	2.30	12	1132	116.48	27	2.50	14	1005	103.44	27	2.80	15	899	92.48			27			3.20			7.7	1775	182.55	11	0.95			GR89 GRF89	4P	9.0	1517	156.01	16	1.00					9.8	1390	143.03	17	1.05			11	1220	125.51	18	1.20	12	1156	118.94	18	1.30	13	1012	104.10	19	1.45	GR89 GRF89	4P	15	912	93.78	19			1.65	17	800	82.27					19	1.85	19	708	72.88	19	2.10	22	622	63.96	19	2.40	23	589	60.61	19	2.50	26	516	53.05	19	2.90	29	465	47.79	19	3.20	33	407	41.92	19	3.70	38	360	37.00	19	4.10	1.5kW							1.5kW							0.32			40576	4394	128	0.9	GR179R99 GRF179R99			4P	15	912	93.78	19	1.65	GR89 GRF89	4P			0.35	36476	3950	128	1.0			0.41	31665			3429	128	1.2	0.45	28609			3098	128	1.3	0.48	26909	2914	128	1.4	0.52	24767	2682	128	1.5	0.61	21184	2294	128	1.7	0.65	19928	2158	128	1.8	0.76	17047	1846	128					2.1			1.0	13252			1435		128	2.8		1.2					10980	1189	128	3.3	0.60	21544					2333	114	0.85			GR169R99 GRF169R99	4P	0.67	19254	2085	114	0.95			0.75	17333	1877	114	1.05	0.84	15422			1670	114	1.15	0.97	13279	1438	114	1.35	1.1	11811	1279	114		1.50	1.2		10370	1123	114			1.75	1.4	9225	999	114	1.95	3.3	3934	426	70	3.30	GR149R89 GRF149R89	4P	3.8	3398			368		70	3.90	GR149R79 GRF149R79		4P	0.82			15745	1705	39	0.85	0.91	14184			1536	57		0.90	1.1	12273	1329		61	1.05	1.2			10767	1166	63	1.20	1.4	9502	1029	65	1.35	1.6	8209	889	67	1.60	1.8	7240	784	68	1.85	2.0	6418	695	68	2.05	2.3	5716	619	69	2.30	2.5	5153	558	69	2.55																																																																																																																																
591	17	2.37	2.3	3.90			686	15	2.04	2.2	4.50					729	14	1.92	2.2	4.80					848	12	1.65	2.1	5.60					946	11	1.48	2.0	6.10					1111	9.2	1.26	1.9	6.40					3.0	4331	469	27	1.00			GR109R79 GRF109R79	4P	4.2	3103	336	14	0.95	GR99R59 GRF99R59	4P	2.6			5024	544			14			0.85	GR109R79 GRF109R79	4P	4.7			2733	296	22	1.10			5.6			2299	249	24	1.30			6.0	2161	234			25	1.40	6.7	1930	209	25	1.55	GR109 GRF109	8P	3.0	4602	229.95			25	0.90	GR109 GRF109	8P	3.3					4066	203.16	29	1.05	3.9					3449	172.34	31	1.20	4.3			3176	158.68	32	1.30	3.7	3636	251.15	30	1.10	4.1	3329	229.95	31	1.20	GR109 GRF109			6P	4.6	2941	203.16	33			1.35	5.5	2495	172.34	34	1.60	5.9		2297	158.68		34	1.75	6.6	2053	141.83	35	1.95	5.5	2486	255.71	22	1.15	GR99 GRF99	4P	5.8			2345	241.25	23	1.20	6.5			2102	216.28	24	1.35	7.5			1811	186.30			25	1.60	8.2	1653	170.02	26	1.75	9.3	1466	150.78	26	1.95	11	1232	126.75	27	2.30	12	1132	116.48	27	2.50	14	1005	103.44	27	2.80	15	899	92.48	27	3.20	7.7			1775			182.55			11	0.95	GR89 GRF89	4P	9.0					1517	156.01	16	1.00	9.8					1390	143.03	17	1.05	11			1220	125.51	18	1.20	12	1156	118.94	18	1.30	13	1012	104.10	19	1.45	GR89 GRF89			4P	15	912	93.78			19	1.65	17	800			82.27	19	1.85	19	708	72.88	19	2.10	22	622	63.96	19	2.40	23	589	60.61	19	2.50	26	516	53.05	19	2.90	29	465	47.79	19	3.20	33	407	41.92	19	3.70	38	360	37.00	19	4.10	1.5kW								1.5kW							0.32			40576	4394	128	0.9					GR179R99 GRF179R99	4P	15	912	93.78					19	1.65	GR89 GRF89	4P	0.35			36476	3950			128	1.0	0.41	31665	3429			128	1.2	0.45	28609	3098	128	1.3	0.48	26909	2914	128	1.4	0.52	24767	2682	128	1.5	0.61	21184	2294	128	1.7	0.65	19928	2158	128	1.8					0.76			17047	1846			128		2.1	1.0		13252					1435	128	2.8	1.2	10980	1189					128	3.3	0.60					21544	2333	114	0.85	GR169R99 GRF169R99			4P	0.67	19254	2085	114	0.95	0.75			17333	1877	114	1.05	0.84	15422	1670	114	1.15	0.97	13279	1438		114	1.35		1.1	11811	1279	114	1.50	1.2	10370	1123	114	1.75	1.4	9225	999	114	1.95	3.3	3934	426	70	3.30			GR149R89 GRF149R89		4P	3.8				3398			368	70	3.90	GR149R79 GRF149R79	4P	0.82			15745	1705	39	0.85	0.91	14184	1536	57	0.90	1.1	12273			1329	61	1.05	1.2	10767	1166	63	1.20	1.4	9502	1029	65	1.35	1.6	8209	889	67	1.60	1.8	7240	784	68	1.85	2.0	6418	695	68	2.05	2.3	5716	619	69	2.30	2.5	5153	558					69			2.55																																																																																																																						
686	15	2.04	2.2	4.50			729	14	1.92	2.2	4.80					848	12	1.65	2.1	5.60					946	11	1.48	2.0	6.10					1111	9.2	1.26	1.9	6.40					3.0	4331	469	27	1.00					GR109R79 GRF109R79	4P	4.2	3103	336			14	0.95	GR99R59 GRF99R59	4P	2.6	5024	544			14	0.85	GR109R79 GRF109R79	4P	4.7			2733	296	22	1.10			5.6			2299	249	24	1.30			6.0	2161	234	25	1.40	6.7	1930			209	25	1.55	GR109 GRF109	8P	3.0	4602	229.95	25	0.90	GR109 GRF109	8P			3.3	4066	203.16			29	1.05			3.9					3449	172.34	31	1.20	4.3					3176	158.68	32	1.30	3.7			3636	251.15	30	1.10	4.1	3329	229.95	31	1.20	GR109 GRF109	6P	4.6	2941	203.16					33	1.35	5.5	2495			172.34	34	1.60	5.9	2297	158.68	34		1.75	6.6		2053	141.83	35	1.95	5.5	2486	255.71	22	1.15	GR99 GRF99	4P	5.8			2345			241.25	23	1.20	6.5	2102			216.28	24	1.35	7.5	1811			186.30	25	1.60	8.2	1653	170.02	26	1.75	9.3	1466	150.78	26	1.95	11	1232	126.75	27	2.30	12	1132	116.48	27	2.50	14	1005	103.44	27	2.80	15	899	92.48	27	3.20	7.7	1775	182.55	11			0.95			GR89 GRF89			4P	9.0			1517					156.01	16	1.00	9.8	1390	143.03	17			1.05	11	1220	125.51	18			1.20	12	1156	118.94	18	1.30	13	1012	104.10	19	1.45	GR89 GRF89	4P	15					912	93.78	19			1.65	17	800	82.27			19	1.85	19	708	72.88	19	2.10	22	622	63.96	19	2.40	23	589	60.61	19	2.50	26	516	53.05	19	2.90	29	465	47.79	19	3.20	33	407	41.92	19	3.70	38	360	37.00	19	4.10	1.5kW									1.5kW							0.32			40576	4394	128	0.9		GR179R99 GRF179R99	4P				15	912	93.78					19	1.65			GR89 GRF89			4P	0.35			36476	3950	128	1.0	0.41			31665	3429	128	1.2	0.45	28609	3098	128	1.3	0.48	26909	2914	128	1.4	0.52	24767	2682	128	1.5	0.61	21184	2294	128	1.7	0.65	19928	2158					128			1.8	0.76			17047		1846	128		2.1					1.0	13252	1435	128	2.8	1.2					10980	1189	128	3.3	0.60			21544	2333	114	0.85					GR169R99 GRF169R99	4P	0.67	19254	2085	114			0.95	0.75	17333	1877	114	1.05	0.84	15422	1670	114	1.15	0.97	13279	1438	114	1.35	1.1	11811	1279	114	1.50	1.2	10370	1123	114	1.75	1.4	9225	999	114	1.95	3.3	3934	426	70	3.30			GR149R89 GRF149R89	4P	3.8	3398				368	70		3.90	GR149R79 GRF149R79	4P			0.82			15745	1705	39	0.85	0.91	14184	1536	57	0.90	1.1	12273			1329	61	1.05	1.2	10767	1166	63	1.20	1.4	9502	1029	65	1.35	1.6	8209	889	67	1.60	1.8	7240	784	68	1.85	2.0	6418	695	68	2.05	2.3	5716	619	69	2.30	2.5	5153	558					69			2.55																																																																																																																						
729	14	1.92	2.2	4.80			848	12	1.65	2.1	5.60					946	11	1.48	2.0	6.10					1111	9.2	1.26	1.9	6.40					3.0	4331	469	27	1.00					GR109R79 GRF109R79	4P	4.2	3103	336					14	0.95	GR99R59 GRF99R59	4P	2.6			5024	544			14	0.85	GR109R79 GRF109R79			4P	4.7			2733			296	22	1.10	5.6			2299	249	24	1.30	6.0	2161	234			25	1.40	6.7	1930	209	25	1.55	GR109 GRF109	8P	3.0	4602	229.95			25	0.90	GR109 GRF109	8P	3.3					4066	203.16	29			1.05	3.9			3449					172.34	31	1.20	4.3	3176	158.68	32			1.30	3.7	3636	251.15	30	1.10	4.1	3329	229.95	31	1.20	GR109 GRF109	6P	4.6	2941	203.16			33	1.35	5.5					2495	172.34	34	1.60			5.9	2297	158.68	34	1.75	6.6	2053		141.83	35		1.95	5.5	2486	255.71	22	1.15	GR99 GRF99	4P	5.8			2345			241.25			23	1.20	6.5	2102	216.28			24	1.35	7.5	1811	186.30			25	1.60	8.2	1653	170.02	26	1.75	9.3	1466	150.78	26	1.95	11	1232	126.75	27	2.30	12	1132	116.48	27	2.50	14	1005	103.44	27	2.80	15	899	92.48	27	3.20	7.7	1775	182.55	11	0.95			GR89 GRF89							4P			9.0	1517	156.01			16	1.00	9.8	1390	143.03	17	1.05			11	1220	125.51	18	1.20	12	1156	118.94	18	1.30	13	1012	104.10	19	1.45	GR89 GRF89	4P	15			912					93.78	19	1.65			17	800	82.27	19			1.85	19	708	72.88	19	2.10	22	622	63.96	19	2.40	23	589	60.61	19	2.50	26	516	53.05	19	2.90	29	465	47.79	19	3.20	33	407	41.92	19	3.70	38	360	37.00	19	4.10	1.5kW							1.5kW							0.32	40576	4394	128	0.9	GR179R99 GRF179R99	4P	15	912	93.78							19	1.65	GR89 GRF89					4P	0.35							36476			3950	128	1.0	0.41	31665			3429	128	1.2	0.45	28609	3098	128	1.3	0.48	26909	2914	128	1.4	0.52	24767	2682	128	1.5	0.61	21184	2294	128	1.7	0.65	19928	2158	128					1.8			0.76	17047			1846		128	2.1		1.0					13252	1435	128	2.8	1.2	10980			1189	128	3.3	0.60	21544	2333	114			0.85	GR169R99 GRF169R99	4P	0.67							19254	2085	114	0.95			0.75	17333	1877	114	1.05	0.84	15422	1670	114	1.15	0.97	13279	1438	114	1.35	1.1	11811	1279	114	1.50	1.2	10370	1123	114	1.75	1.4	9225	999	114	1.95	3.3	3934	426	70	3.30	GR149R89 GRF149R89	4P	3.8	3398	368	70	3.90				GR149R79 GRF149R79	4P		0.82					15745			1705	39	0.85	0.91	14184	1536	57	0.90	1.1	12273	1329			61	1.05	1.2	10767	1166	63	1.20	1.4	9502	1029	65	1.35	1.6	8209	889	67	1.60	1.8	7240	784	68	1.85	2.0	6418	695	68	2.05	2.3	5716	619	69	2.30	2.5	5153	558	69					2.55																																																																																																																									
848	12	1.65	2.1	5.60			946	11	1.48	2.0	6.10					1111	9.2	1.26	1.9	6.40					3.0	4331	469	27	1.00					GR109R79 GRF109R79	4P	4.2	3103	336					14	0.95	GR99R59 GRF99R59	4P	2.6			5024	544	14	0.85			GR109R79 GRF109R79	4P	4.7	2733	296			22	1.10					5.6			2299	249	24	1.30	6.0	2161	234			25	1.40	6.7	1930	209	25	1.55	GR109 GRF109	8P	3.0	4602	229.95	25	0.90	GR109 GRF109	8P			3.3	4066	203.16			29	1.05			3.9					3449	172.34	31			1.20	4.3			3176	158.68	32			1.30	3.7	3636	251.15	30	1.10	4.1	3329	229.95	31	1.20	GR109 GRF109	6P	4.6	2941	203.16	33	1.35	5.5	2495			172.34	34	1.60			5.9	2297	158.68					34	1.75	6.6	2053			141.83	35	1.95	5.5	2486	255.71	22	1.15	GR99 GRF99	4P	5.8	2345	241.25	23	1.20	6.5	2102			216.28			24			1.35			7.5	1811	186.30	25	1.60			8.2	1653	170.02	26	1.75			9.3	1466	150.78	26	1.95	11	1232	126.75	27	2.30	12	1132	116.48	27	2.50	14	1005	103.44	27	2.80	15	899	92.48	27	3.20	7.7	1775	182.55	11	0.95	GR89 GRF89	4P	9.0	1517	156.01	16	1.00							9.8	1390					143.03	17	1.05			11	1220	125.51	18	1.20	12	1156	118.94	18	1.30	13	1012	104.10	19	1.45	GR89 GRF89	4P	15	912	93.78	19	1.65	17	800			82.27			19					1.85	19	708			72.88	19	2.10	22			622	63.96	19	2.40	23	589	60.61	19	2.50	26	516	53.05	19	2.90	29	465	47.79	19	3.20	33	407	41.92	19	3.70	38	360	37.00	19	4.10	1.5kW							1.5kW							0.32			40576	4394	128	0.9	GR179R99 GRF179R99	4P	15	912	93.78			19	1.65	GR89 GRF89							4P	0.35							36476							3950			128	1.0	0.41	31665	3429			128	1.2	0.45	28609	3098	128	1.3	0.48	26909	2914	128	1.4	0.52	24767	2682	128	1.5	0.61	21184	2294	128	1.7	0.65	19928	2158	128	1.8					0.76			17047	1846			128		2.1	1.0		13252		1435	128		2.8	1.2	10980	1189	128	3.3	0.60	21544	2333	114	0.85	GR169R99 GRF169R99	4P	0.67	19254			2085			114							0.95	0.75	17333	1877			114	1.05	0.84	15422	1670	114	1.15	0.97	13279	1438	114	1.35	1.1	11811	1279	114	1.50	1.2	10370	1123	114	1.75	1.4	9225	999	114	1.95	3.3	3934	426	70	3.30	GR149R89 GRF149R89	4P	3.8	3398	368	70	3.90	GR149R79 GRF149R79	4P	0.82		15745				1705	39					0.85			0.91	14184	1536	57	0.90	1.1	12273	1329	61	1.05	1.2			10767	1166	63	1.20	1.4	9502	1029	65	1.35	1.6	8209	889	67	1.60	1.8	7240	784	68	1.85	2.0	6418	695	68	2.05	2.3	5716	619	69	2.30	2.5	5153	558	69	2.55																																																																																																																																
946	11	1.48	2.0	6.10			1111	9.2	1.26	1.9	6.40					3.0	4331	469	27	1.00					GR109R79 GRF109R79	4P	4.2	3103	336					14	0.95	GR99R59 GRF99R59	4P	2.6			5024	544	14	0.85			GR109R79 GRF109R79	4P	4.7	2733	296	22	1.10					5.6	2299	249			24	1.30		6.0	2161		234			25	1.40	6.7	1930	209	25	1.55	GR109 GRF109	8P	3.0	4602	229.95	25	0.90	GR109 GRF109	8P			3.3	4066	203.16	29	1.05					3.9	3449	172.34			31	1.20			4.3					3176	158.68	32	1.30	3.7	3636	251.15			30	1.10	4.1	3329	229.95	31	1.20	GR109 GRF109	6P	4.6	2941	203.16	33	1.35	5.5	2495			172.34	34	1.60	5.9	2297	158.68	34			1.75	6.6	2053			141.83	35	1.95					5.5	2486	255.71	22	1.15	GR99 GRF99	4P	5.8	2345	241.25	23	1.20	6.5	2102			216.28	24	1.35	7.5	1811	186.30	25			1.60			8.2			1653			170.02	26	1.75	9.3	1466			150.78	26	1.95	11	1232			126.75	27	2.30	12	1132	116.48	27	2.50	14	1005	103.44	27	2.80	15	899	92.48	27	3.20	7.7	1775	182.55	11	0.95	GR89 GRF89	4P	9.0	1517	156.01	16	1.00			9.8	1390	143.03	17	1.05				11	1220		125.51	18					1.20	12	1156	118.94	18	1.30	13	1012	104.10	19	1.45	GR89 GRF89	4P	15	912	93.78	19	1.65	17	800			82.27	19	1.85	19	708	72.88	19			2.10			22					622	63.96	19			2.40	23	589	60.61			19	2.50	26	516	53.05	19	2.90	29	465	47.79	19	3.20	33	407	41.92	19	3.70	38	360	37.00	19	4.10	1.5kW							1.5kW							0.32	40576	4394	128	0.9			GR179R99 GRF179R99	4P	15	912	93.78	19	1.65			GR89 GRF89	4P	0.35			36476	3950									128							1.0							0.41			31665	3429	128	1.2	0.45			28609	3098	128	1.3	0.48	26909	2914	128	1.4	0.52	24767	2682	128	1.5	0.61	21184	2294	128	1.7	0.65	19928	2158	128	1.8	0.76	17047	1846					128			2.1	1.0	13252	1435	128	2.8	1.2	10980	1189	128		3.3	0.60		21544	2333	114	0.85	GR169R99 GRF169R99	4P	0.67	19254	2085	114	0.95			0.75	17333			1877			114							1.05	0.84	15422	1670			114	1.15	0.97	13279	1438	114	1.35	1.1	11811	1279	114	1.50	1.2	10370	1123	114	1.75	1.4	9225	999	114	1.95	3.3	3934	426	70	3.30	GR149R89 GRF149R89	4P	3.8	3398	368	70	3.90	GR149R79 GRF149R79	4P	0.82	15745	1705			39		0.85				0.91	14184					1536			57	0.90	1.1	12273	1329	61	1.05	1.2	10767	1166	63			1.20	1.4	9502	1029	65	1.35	1.6	8209	889	67	1.60	1.8	7240	784	68	1.85	2.0	6418	695	68	2.05	2.3	5716	619	69	2.30	2.5	5153	558	69	2.55																																																																																																																																			
1111	9.2	1.26	1.9	6.40			3.0	4331	469	27	1.00					GR109R79 GRF109R79	4P	4.2	3103	336					14	0.95	GR99R59 GRF99R59	4P	2.6			5024	544	14	0.85			GR109R79 GRF109R79	4P	4.7	2733	296	22	1.10					5.6	2299	249	24	1.30					6.0	2161	234	25	1.40	6.7	1930		209	25		1.55	GR109 GRF109	8P	3.0	4602	229.95	25	0.90	GR109 GRF109	8P			3.3	4066	203.16	29	1.05					3.9	3449	172.34	31	1.20					4.3	3176	158.68			32	1.30			3.7			3636	251.15	30	1.10	4.1	3329	229.95	31	1.20	GR109 GRF109	6P	4.6	2941	203.16	33	1.35	5.5	2495			172.34	34	1.60	5.9	2297	158.68	34			1.75	6.6	2053	141.83	35	1.95	5.5			2486	255.71	22			1.15	GR99 GRF99	4P		5.8	2345		241.25	23	1.20	6.5	2102			216.28	24	1.35	7.5	1811	186.30	25			1.60	8.2	1653	170.02	26	1.75	9.3			1466			150.78			26			1.95	11	1232	126.75	27			2.30	12	1132	116.48	27			2.50	14	1005	103.44	27	2.80	15	899	92.48	27	3.20	7.7	1775	182.55	11	0.95	GR89 GRF89	4P	9.0	1517	156.01	16	1.00			9.8	1390	143.03	17	1.05			11	1220	125.51	18	1.20	12	1156		118.94	18		1.30	13			1012	104.10	19	1.45	GR89 GRF89	4P	15	912	93.78	19	1.65	17	800			82.27	19	1.85	19	708	72.88	19			2.10	22	622	63.96	19	2.40	23			589			60.61					19	2.50	26			516	53.05	19	2.90			29	465	47.79	19	3.20	33	407	41.92	19	3.70	38	360	37.00	19	4.10	1.5kW							1.5kW							0.32	40576	4394	128	0.9	GR179R99 GRF179R99	4P	15	912	93.78	19	1.65	GR89 GRF89	4P			0.35	36476	3950	128	1.0					0.41			31665	3429									128							1.2							0.45			28609	3098	128	1.3	0.48			26909	2914	128	1.4	0.52	24767	2682	128	1.5	0.61	21184	2294	128	1.7	0.65	19928	2158	128	1.8	0.76	17047	1846	128	2.1	1.0	13252	1435					128	2.8	1.2	10980	1189	128	3.3	0.60	21544	2333	114	0.85	GR169R99 GRF169R99	4P	0.67	19254	2085	114	0.95	0.75	17333			1877	114	1.05	0.84	15422			1670	114			1.15			0.97							13279	1438	114	1.35	1.1	11811	1279	114	1.50	1.2	10370	1123	114	1.75	1.4	9225	999	114	1.95	3.3	3934	426	70	3.30	GR149R89 GRF149R89	4P	3.8	3398	368	70	3.90	GR149R79 GRF149R79	4P	0.82	15745	1705	39	0.85	0.91	14184			1536	57	0.90			1.1		12273				1329	61					1.05			1.2	10767	1166	63	1.20	1.4	9502	1029	65	1.35	1.6			8209	889	67	1.60	1.8	7240	784	68	1.85	2.0	6418	695	68	2.05	2.3	5716	619	69	2.30	2.5	5153	558	69	2.55																																																																																																																																										
3.0	4331	469	27	1.00			GR109R79 GRF109R79	4P																																																																																																																																																																																																																																																																																																																																																																																																																																																																																																																																																																																																																																																																																																																														
4.2	3103	336	14	0.95			GR99R59 GRF99R59	4P	2.6	5024	544	14	0.85			GR109R79 GRF109R79	4P																																																																																																																																																																																																																																																																																																																																																																																																																																																																																																																																																																																																																																																																																																																					
4.7	2733	296	22	1.10	5.6	2299			249	24	1.30	6.0	2161	234	25			1.40	6.7	1930	209	25	1.55	GR109 GRF109	8P	3.0			4602	229.95	25	0.90	GR109 GRF109	8P	3.3	4066	203.16			29	1.05	3.9	3449	172.34	31	1.20	4.3	3176	158.68	32	1.30	3.7	3636	251.15	30	1.10	4.1	3329	229.95	31	1.20	GR109 GRF109	6P	4.6	2941	203.16	33	1.35	5.5			2495	172.34	34	1.60	5.9					2297	158.68	34	1.75	6.6			2053	141.83	35	1.95	5.5	2486	255.71	22	1.15	GR99 GRF99	4P	5.8	2345	241.25	23	1.20	6.5	2102	216.28	24	1.35	7.5	1811	186.30	25	1.60	8.2	1653	170.02	26	1.75	9.3			1466	150.78	26	1.95	11	1232	126.75			27	2.30	12	1132	116.48	27	2.50			14	1005	103.44	27	2.80	15	899	92.48	27	3.20	7.7	1775	182.55	11	0.95			GR89 GRF89	4P	9.0	1517	156.01	16	1.00	9.8	1390			143.03	17	1.05	11	1220	125.51	18			1.20	12	1156	118.94	18	1.30	13			1012			104.10			19			1.45	GR89 GRF89	4P	15	912	93.78	19	1.65	17	800	82.27	19	1.85	19	708	72.88	19	2.10	22	622	63.96	19	2.40	23	589	60.61	19	2.50	26	516			53.05	19	2.90	29	465			47.79	19	3.20	33	407	41.92	19	3.70	38	360	37.00	19	4.10	1.5kW							1.5kW								0.32	40576	4394	128	0.9	GR179R99 GRF179R99	4P			15	912	93.78	19	1.65	GR89 GRF89	4P			0.35	36476	3950	128	1.0	0.41	31665			3429			128					1.2	0.45	28609	3098	128	1.3	0.48	26909	2914	128	1.4	0.52	24767	2682	128	1.5	0.61	21184	2294	128	1.7	0.65	19928	2158	128	1.8	0.76	17047	1846	128	2.1	1.0	13252	1435	128	2.8	1.2	10980	1189	128	3.3	0.60	21544	2333	114			0.85	GR169R99 GRF169R99	4P	0.67	19254					2085	114	0.95	0.75	17333					1877			114	1.05									0.84							15422				1670	114		1.15			0.97	13279	1438	114	1.35	1.1	11811	1279	114	1.50	1.2	10370	1123	114	1.75	1.4	9225	999	114	1.95	3.3	3934	426	70	3.30	GR149R89 GRF149R89	4P	3.8	3398	368	70	3.90	GR149R79 GRF149R79	4P	0.82	15745	1705	39	0.85	0.91	14184	1536	57	0.90	1.1	12273	1329	61	1.05	1.2			10767	1166	63	1.20	1.4	9502	1029			65	1.35	1.6	8209	889			67	1.60	1.8	7240	784			68	1.85	2.0	6418	695			68	2.05	2.3	5716	619	69	2.30	2.5	5153	558	69	2.55																																																																																																																																																																																																																																	
5.6	2299	249	24	1.30	6.0	2161			234	25	1.40	6.7	1930	209	25			1.55	GR109 GRF109	8P	3.0	4602	229.95			25	0.90	GR109 GRF109	8P	3.3	4066	203.16			29	1.05	3.9	3449	172.34	31	1.20	4.3	3176	158.68	32	1.30	3.7	3636	251.15	30	1.10	4.1	3329	229.95	31	1.20	GR109 GRF109	6P	4.6	2941	203.16			33	1.35	5.5	2495	172.34	34			1.60	5.9	2297	158.68	34			1.75	6.6	2053	141.83	35	1.95	5.5	2486	255.71	22	1.15	GR99 GRF99	4P	5.8	2345	241.25	23	1.20			6.5	2102	216.28	24	1.35	7.5	1811	186.30	25	1.60	8.2	1653	170.02	26	1.75	9.3	1466	150.78	26	1.95	11			1232	126.75	27	2.30	12	1132	116.48			27	2.50	14	1005	103.44	27	2.80	15	899	92.48	27	3.20	7.7	1775	182.55	11	0.95	GR89 GRF89	4P	9.0	1517	156.01	16	1.00					9.8	1390	143.03	17	1.05	11	1220			125.51	18	1.20	12	1156	118.94	18			1.30	13	1012	104.10	19	1.45	GR89 GRF89			4P			15			912	93.78	19	1.65			17	800	82.27	19	1.85	19	708	72.88	19	2.10	22	622	63.96	19	2.40	23	589	60.61	19	2.50	26	516	53.05	19	2.90	29	465			47.79	19	3.20	33	407	41.92	19	3.70	38	360	37.00	19	4.10	1.5kW							1.5kW							0.32	40576	4394	128	0.9	GR179R99 GRF179R99			4P	15	912	93.78	19					1.65	GR89 GRF89	4P	0.35	36476					3950	128	1.0	0.41	31665	3429	128			1.2			0.45		28609	3098		128	1.3	0.48	26909	2914	128	1.4	0.52	24767	2682	128	1.5	0.61	21184	2294	128	1.7	0.65	19928	2158	128	1.8	0.76	17047	1846	128	2.1	1.0	13252	1435	128	2.8	1.2	10980	1189	128	3.3	0.60	21544	2333	114	0.85	GR169R99 GRF169R99	4P	0.67			19254			2085	114					0.95	0.75	17333	1877	114					1.05			0.84	15422									1670		114	1.15				0.97				13279	1438		114	1.35	1.1	11811	1279	114	1.50	1.2	10370	1123	114	1.75	1.4	9225	999	114	1.95	3.3	3934	426	70	3.30	GR149R89 GRF149R89	4P	3.8	3398	368	70	3.90	GR149R79 GRF149R79	4P	0.82	15745	1705	39			0.85	0.91	14184	1536	57	0.90	1.1	12273	1329	61	1.05	1.2	10767	1166	63	1.20			1.4	9502	1029	65	1.35	1.6	8209			889	67	1.60	1.8	7240			784	68	1.85	2.0	6418			695	68	2.05	2.3	5716	619	69	2.30	2.5	5153	558	69	2.55																																																																																																																																																																																																																																							
6.0	2161	234	25	1.40	6.7	1930			209	25	1.55	GR109 GRF109	8P	3.0	4602			229.95			25	0.90	GR109 GRF109			8P	3.3			4066	203.16	29			1.05	3.9	3449	172.34	31	1.20	4.3	3176	158.68	32	1.30	3.7	3636	251.15	30	1.10	4.1	3329	229.95	31	1.20	GR109 GRF109			6P	4.6	2941			203.16	33	1.35	5.5	2495	172.34	34	1.60	5.9	2297	158.68	34	1.75	6.6	2053	141.83	35	1.95	5.5	2486	255.71	22	1.15	GR99 GRF99	4P	5.8			2345	241.25	23	1.20	6.5			2102	216.28	24	1.35	7.5	1811	186.30	25	1.60	8.2	1653	170.02	26	1.75	9.3	1466	150.78	26	1.95	11	1232			126.75	27	2.30	12	1132	116.48	27	2.50	14	1005	103.44	27	2.80	15	899	92.48	27	3.20	7.7	1775	182.55	11	0.95	GR89 GRF89	4P	9.0			1517	156.01	16	1.00	9.8					1390	143.03	17	1.05	11	1220	125.51			18	1.20	12	1156	118.94	18	1.30			13	1012	104.10	19	1.45	GR89 GRF89							4P	15	912	93.78	19	1.65	17			800	82.27	19	1.85	19	708	72.88	19	2.10	22	622	63.96	19	2.40	23	589	60.61	19	2.50	26	516	53.05	19	2.90	29	465	47.79	19	3.20	33	407	41.92	19	3.70	38	360	37.00	19	4.10	1.5kW							1.5kW							0.32	40576	4394	128	0.9	GR179R99 GRF179R99	4P	15					912	93.78	19	1.65					GR89 GRF89			4P	0.35					36476	3950	128	1.0	0.41	31665	3429			128			1.2	0.45	28609	3098	128	1.3	0.48	26909	2914	128	1.4	0.52	24767	2682	128	1.5	0.61	21184	2294	128	1.7	0.65	19928	2158	128	1.8	0.76	17047	1846	128	2.1	1.0	13252	1435	128	2.8	1.2	10980	1189	128	3.3	0.60	21544	2333	114	0.85	GR169R99 GRF169R99			4P			0.67			19254	2085					114	0.95	0.75	17333	1877					114			1.05	0.84									15422		1670	114	1.15	0.97		13279	1438	114		1.35	1.1		11811	1279	114	1.50	1.2	10370	1123	114	1.75	1.4	9225	999	114	1.95	3.3	3934	426	70	3.30	GR149R89 GRF149R89	4P	3.8	3398	368	70	3.90	GR149R79 GRF149R79	4P	0.82			15745	1705	39	0.85			0.91	14184	1536	57	0.90	1.1	12273	1329	61	1.05	1.2	10767	1166	63	1.20	1.4			9502	1029	65	1.35	1.6	8209	889			67	1.60	1.8	7240	784			68	1.85	2.0	6418	695	68	2.05	2.3	5716	619	69	2.30	2.5	5153	558	69	2.55																																																																																																																																																																																																																																										
6.7	1930	209	25	1.55	GR109 GRF109	8P	3.0	4602	229.95	25	0.90			GR109 GRF109	8P																																																																																																																																																																																																																																																																																																																																																																																																																																																																																																																																																																																																																																																																																																																							
3.3	4066	203.16	29	1.05			3.9	3449	172.34	31	1.20					4.3	3176	158.68			32	1.30					3.7			3636	251.15	30			1.10	4.1	3329	229.95	31	1.20	GR109 GRF109	6P	4.6	2941	203.16	33	1.35	5.5	2495	172.34	34	1.60	5.9	2297	158.68					34	1.75			6.6	2053	141.83	35	1.95	5.5	2486	255.71	22	1.15	GR99 GRF99	4P	5.8	2345	241.25	23	1.20	6.5	2102	216.28	24	1.35	7.5			1811			186.30	25	1.60	8.2	1653			170.02	26	1.75	9.3	1466	150.78	26	1.95	11	1232	126.75	27	2.30	12	1132	116.48	27	2.50	14	1005	103.44	27	2.80	15	899	92.48	27	3.20	7.7	1775	182.55	11	0.95	GR89 GRF89	4P	9.0	1517	156.01	16	1.00	9.8	1390	143.03	17	1.05	11			1220			125.51	18	1.20	12	1156					118.94	18	1.30	13	1012	104.10	19			1.45	GR89 GRF89	4P	15	912	93.78	19			1.65	17	800	82.27	19			1.85	19		708	72.88		19	2.10	22	622	63.96	19			2.40	23	589	60.61	19	2.50	26	516	53.05	19	2.90	29	465	47.79	19	3.20	33	407	41.92	19	3.70	38	360	37.00	19	4.10	1.5kW							1.5kW							0.32	40576	4394	128	0.9	GR179R99 GRF179R99	4P	15	912	93.78	19	1.65	GR89 GRF89	4P	0.35	36476	3950	128			1.0					0.41	31665	3429	128									1.2					0.45	28609	3098	128	1.3	0.48	26909	2914	128	1.4	0.52	24767	2682	128	1.5	0.61	21184	2294	128	1.7	0.65	19928	2158	128	1.8	0.76	17047	1846	128	2.1	1.0	13252	1435	128	2.8	1.2	10980	1189	128	3.3	0.60	21544	2333	114	0.85	GR169R99 GRF169R99	4P	0.67	19254	2085	114	0.95	0.75	17333	1877	114	1.05	0.84							15422			1670	114					1.15	0.97	13279	1438	114					1.35			1.1	11811		1279			114	1.50	1.2		10370	1123	114	1.75	1.4	9225	999	114	1.95	3.3	3934	426	70	3.30	GR149R89 GRF149R89	4P	3.8	3398	368	70	3.90	GR149R79 GRF149R79	4P	0.82	15745	1705	39	0.85	0.91	14184	1536	57	0.90	1.1	12273	1329	61	1.05	1.2	10767			1166			63	1.20	1.4	9502			1029	65	1.35	1.6	8209	889	67	1.60	1.8	7240	784	68	1.85	2.0	6418	695			68	2.05	2.3	5716	619	69	2.30	2.5	5153	558	69	2.55																																																																																																																																																																																																																																																															
3.9	3449	172.34	31	1.20			4.3	3176	158.68	32	1.30					3.7	3636	251.15			30	1.10		4.1	3329		229.95			31	1.20	GR109 GRF109	6P	4.6	2941	203.16	33	1.35	5.5	2495			172.34	34	1.60	5.9	2297	158.68	34	1.75	6.6	2053	141.83	35	1.95					5.5	2486			255.71	22	1.15	GR99 GRF99	4P	5.8	2345	241.25	23	1.20			6.5	2102	216.28	24	1.35	7.5	1811	186.30	25	1.60	8.2			1653			170.02	26	1.75	9.3	1466			150.78	26	1.95	11	1232	126.75	27	2.30	12	1132	116.48	27	2.50	14	1005	103.44	27	2.80	15	899	92.48	27	3.20	7.7	1775	182.55	11	0.95	GR89 GRF89	4P	9.0	1517	156.01			16	1.00	9.8	1390	143.03	17	1.05	11	1220	125.51	18			1.20			12	1156	118.94	18	1.30			13	1012	104.10	19	1.45	GR89 GRF89	4P	15	912			93.78			19	1.65	17	800	82.27	19	1.85	19	708	72.88	19			2.10	22		622	63.96		19	2.40	23	589	60.61	19			2.50	26	516	53.05	19	2.90	29	465	47.79	19	3.20	33	407	41.92	19	3.70	38	360	37.00	19	4.10	1.5kW							1.5kW							0.32	40576	4394	128	0.9	GR179R99 GRF179R99	4P	15	912	93.78			19	1.65	GR89 GRF89	4P	0.35			36476	3950	128	1.0			0.41					31665	3429	128	1.2									0.45			28609	3098	128	1.3	0.48	26909	2914	128	1.4	0.52	24767	2682	128	1.5	0.61	21184	2294	128	1.7	0.65	19928	2158	128	1.8	0.76	17047	1846	128	2.1	1.0	13252	1435	128	2.8	1.2	10980	1189	128	3.3	0.60	21544	2333	114	0.85	GR169R99 GRF169R99	4P	0.67			19254	2085	114	0.95	0.75	17333	1877	114	1.05	0.84	15422							1670			114	1.15					0.97	13279	1438	114	1.35					1.1			11811	1279	114	1.50	1.2	10370	1123	114	1.75	1.4	9225	999	114	1.95	3.3	3934	426	70	3.30	GR149R89 GRF149R89	4P	3.8	3398	368	70	3.90	GR149R79 GRF149R79	4P	0.82	15745	1705			39	0.85	0.91	14184	1536	57	0.90	1.1	12273	1329	61	1.05	1.2	10767	1166	63	1.20			1.4			9502	1029	65	1.35			1.6	8209	889	67	1.60	1.8	7240	784	68	1.85	2.0	6418	695	68	2.05	2.3	5716	619	69	2.30	2.5	5153	558	69	2.55																																																																																																																																																																																																																																																																				
4.3	3176	158.68	32	1.30			3.7	3636	251.15	30	1.10					4.1	3329	229.95	31	1.20	GR109 GRF109	6P		4.6	2941		203.16	33	1.35	5.5	2495			172.34	34	1.60	5.9	2297	158.68	34			1.75	6.6	2053	141.83	35	1.95	5.5	2486	255.71	22	1.15	GR99 GRF99	4P					5.8	2345	241.25	23	1.20	6.5	2102			216.28	24	1.35	7.5	1811			186.30	25	1.60	8.2	1653	170.02	26	1.75	9.3	1466	150.78			26			1.95	11	1232	126.75	27			2.30	12	1132	116.48	27	2.50	14	1005	103.44	27	2.80	15	899	92.48	27	3.20	7.7	1775	182.55	11	0.95	GR89 GRF89	4P	9.0	1517	156.01	16	1.00			9.8	1390	143.03			17	1.05	11	1220	125.51	18	1.20	12	1156	118.94	18			1.30	13	1012	104.10	19	1.45	GR89 GRF89	4P			15	912	93.78	19	1.65			17	800	82.27	19	1.85			19	708	72.88	19	2.10	22	622	63.96	19	2.40	23			589	60.61		19	2.50		26	516	53.05	19	2.90	29			465	47.79	19	3.20	33	407	41.92	19	3.70	38	360	37.00	19	4.10	1.5kW							1.5kW							0.32	40576	4394	128	0.9	GR179R99 GRF179R99	4P	15	912	93.78	19	1.65			GR89 GRF89	4P	0.35			36476	3950			128			1.0	0.41	31665	3429			128					1.2	0.45	28609	3098			128	1.3					0.48			26909	2914	128	1.4	0.52	24767	2682	128	1.5	0.61	21184	2294	128	1.7	0.65	19928	2158	128	1.8	0.76	17047	1846	128	2.1	1.0	13252	1435	128	2.8	1.2	10980	1189	128	3.3	0.60	21544	2333	114	0.85	GR169R99 GRF169R99	4P	0.67	19254	2085			114			0.95	0.75	17333	1877	114	1.05	0.84	15422	1670	114	1.15							0.97			13279	1438					114	1.35	1.1	11811	1279			114	1.50	1.2	10370	1123	114	1.75	1.4	9225	999	114	1.95	3.3	3934	426	70	3.30	GR149R89 GRF149R89	4P	3.8	3398	368	70	3.90	GR149R79 GRF149R79	4P	0.82	15745	1705	39	0.85			0.91	14184	1536			57	0.90	1.1	12273	1329	61	1.05	1.2	10767	1166	63	1.20	1.4	9502	1029	65	1.35			1.6			8209	889	67	1.60			1.8	7240	784	68	1.85	2.0	6418	695	68	2.05	2.3	5716	619	69	2.30	2.5	5153	558	69	2.55																																																																																																																																																																																																																																																																									
3.7	3636	251.15	30	1.10			4.1	3329	229.95	31	1.20	GR109 GRF109	6P			4.6	2941	203.16	33	1.35			5.5	2495	172.34	34	1.60	5.9	2297	158.68	34			1.75	6.6	2053	141.83	35	1.95	5.5			2486	255.71	22	1.15	GR99 GRF99	4P	5.8	2345	241.25	23	1.20				6.5	2102		216.28	24	1.35	7.5	1811	186.30	25			1.60	8.2	1653	170.02	26			1.75	9.3	1466	150.78	26	1.95	11	1232	126.75	27	2.30			12			1132	116.48	27	2.50	14			1005	103.44	27	2.80	15	899	92.48	27	3.20	7.7	1775	182.55	11	0.95	GR89 GRF89	4P	9.0	1517	156.01	16	1.00			9.8	1390	143.03	17	1.05			11	1220	125.51			18	1.20	12	1156	118.94	18	1.30	13	1012	104.10	19	1.45	GR89 GRF89	4P	15	912	93.78	19	1.65			17	800	82.27	19	1.85	19	708			72.88	19	2.10	22	622			63.96	19	2.40	23	589	60.61	19	2.50	26	516	53.05			19	2.90		29	465		47.79	19	3.20	33	407	41.92			19	3.70	38	360	37.00	19	4.10	1.5kW							1.5kW							0.32	40576	4394	128	0.9	GR179R99 GRF179R99	4P	15	912	93.78	19	1.65			GR89 GRF89	4P	0.35	36476	3950					128			1.0	0.41			31665			3429	128	1.2	0.45			28609		3098	128		1.3	0.48	26909	2914			128	1.4					0.52			24767	2682	128	1.5	0.61	21184	2294	128	1.7	0.65	19928	2158	128	1.8	0.76	17047	1846	128	2.1	1.0	13252	1435	128	2.8	1.2	10980	1189	128	3.3	0.60	21544	2333	114	0.85	GR169R99 GRF169R99	4P	0.67	19254	2085			114	0.95	0.75			17333			1877	114	1.05	0.84	15422	1670	114	1.15	0.97	13279	1438							114			1.35	1.1	11811	1279			114	1.50	1.2	10370	1123	114	1.75	1.4	9225	999	114	1.95	3.3	3934	426	70	3.30	GR149R89 GRF149R89	4P	3.8	3398	368	70	3.90	GR149R79 GRF149R79	4P	0.82	15745	1705	39	0.85			0.91	14184	1536	57	0.90			1.1	12273	1329			61	1.05	1.2	10767	1166	63	1.20	1.4	9502	1029	65	1.35	1.6	8209	889	67	1.60			1.8			7240	784	68	1.85			2.0	6418	695	68	2.05	2.3	5716	619	69	2.30	2.5	5153	558	69	2.55																																																																																																																																																																																																																																																																														
4.1	3329	229.95	31	1.20	GR109 GRF109	6P																																																																																																																																																																																																																																																																																																																																																																																																																																																																																																																																																																																																																																																																																																																																
4.6	2941	203.16	33	1.35			5.5	2495	172.34	34	1.60			5.9	2297	158.68	34	1.75	6.6	2053			141.83	35	1.95	5.5	2486	255.71	22	1.15	GR99 GRF99			4P	5.8	2345	241.25	23	1.20	6.5			2102	216.28	24	1.35			7.5	1811	186.30	25	1.60			8.2	1653	170.02	26	1.75	9.3	1466	150.78	26	1.95	11			1232	126.75	27	2.30	12			1132	116.48	27	2.50	14	1005	103.44	27	2.80	15	899			92.48			27	3.20	7.7	1775	182.55			11	0.95	GR89 GRF89	4P	9.0	1517	156.01	16	1.00	9.8	1390	143.03	17	1.05			11	1220	125.51	18	1.20			12	1156	118.94	18	1.30			13	1012	104.10	19	1.45	GR89 GRF89	4P	15	912	93.78	19	1.65	17	800	82.27	19	1.85			19	708	72.88	19	2.10			22	622	63.96	19	2.40	23	589			60.61	19	2.50	26	516			53.05	19	2.90	29	465	47.79	19	3.20	33	407	41.92			19	3.70		38	360		37.00	19	4.10	1.5kW							1.5kW							0.32	40576	4394	128	0.9	GR179R99 GRF179R99	4P	15	912	93.78	19	1.65	GR89 GRF89	4P	0.35	36476	3950			128	1.0	0.41	31665	3429					128	1.2	0.45					28609			3098	128			1.3			0.48	26909	2914	128			1.4		0.52	24767		2682	128	1.5	0.61			21184	2294					128			1.7	0.65	19928	2158	128	1.8	0.76	17047	1846	128	2.1	1.0	13252	1435	128	2.8	1.2	10980	1189	128	3.3	0.60	21544	2333	114	0.85	GR169R99 GRF169R99	4P	0.67	19254	2085	114	0.95	0.75			17333	1877	114			1.05	0.84	15422			1670			114	1.15	0.97	13279	1438	114	1.35	1.1	11811	1279	114		1.50	1.2		10370	1123	114	1.75	1.4	9225	999	114	1.95	3.3	3934	426	70	3.30	GR149R89 GRF149R89	4P	3.8	3398	368	70	3.90	GR149R79 GRF149R79	4P	0.82	15745	1705	39	0.85	0.91	14184	1536	57	0.90	1.1	12273			1329	61	1.05	1.2	10767			1166	63	1.20	1.4	9502			1029	65	1.35			1.6	8209	889	67	1.60	1.8	7240	784	68	1.85	2.0	6418	695	68	2.05	2.3	5716			619			69	2.30	2.5	5153			558	69	2.55																																																																																																																																																																																																																																																																																										
5.5	2495	172.34	34	1.60			5.9	2297	158.68	34	1.75			6.6	2053	141.83	35	1.95	5.5	2486			255.71	22	1.15	GR99 GRF99	4P	5.8	2345	241.25					23	1.20	6.5	2102	216.28	24	1.35	7.5	1811	186.30	25	1.60			8.2	1653	170.02	26	1.75			9.3	1466	150.78	26	1.95	11	1232	126.75	27	2.30	12			1132	116.48	27	2.50	14			1005	103.44	27	2.80	15	899	92.48	27	3.20	7.7	1775			182.55			11	0.95	GR89 GRF89	4P	9.0	1517	156.01	16	1.00			9.8	1390	143.03	17	1.05	11	1220	125.51	18	1.20			12	1156	118.94	18	1.30			13	1012	104.10	19	1.45	GR89 GRF89	4P	15	912	93.78	19	1.65			17	800	82.27	19	1.85	19	708	72.88	19	2.10			22	622	63.96	19	2.40			23	589	60.61	19	2.50	26	516			53.05	19	2.90	29	465			47.79	19	3.20	33	407	41.92	19	3.70	38	360	37.00			19	4.10		1.5kW							1.5kW							0.32	40576	4394	128	0.9	GR179R99 GRF179R99	4P	15	912	93.78	19			1.65	GR89 GRF89	4P	0.35	36476			3950	128	1.0			0.41	31665	3429	128	1.2					0.45	28609	3098					128			1.3	0.48			26909			2914	128	1.4	0.52			24767		2682	128		1.5	0.61	21184	2294			128	1.7					0.65	19928	2158	128	1.8	0.76	17047	1846	128	2.1	1.0	13252	1435	128	2.8	1.2	10980	1189	128	3.3	0.60	21544	2333	114	0.85	GR169R99 GRF169R99	4P	0.67	19254			2085	114	0.95	0.75	17333	1877			114	1.05	0.84			15422	1670	114			1.15			0.97	13279	1438	114	1.35	1.1	11811	1279	114	1.50	1.2	10370	1123	114	1.75	1.4	9225	999	114	1.95	3.3	3934	426	70	3.30	GR149R89 GRF149R89	4P	3.8	3398	368	70	3.90	GR149R79 GRF149R79	4P	0.82	15745			1705	39	0.85	0.91	14184	1536	57	0.90	1.1	12273	1329	61			1.05	1.2	10767	1166	63			1.20	1.4	9502	1029	65			1.35	1.6	8209			889	67	1.60	1.8	7240	784	68	1.85	2.0	6418	695	68	2.05	2.3	5716	619	69			2.30			2.5	5153	558	69	2.55																																																																																																																																																																																																																																																																																														
5.9	2297	158.68	34	1.75			6.6	2053	141.83	35	1.95			5.5	2486	255.71	22	1.15	GR99 GRF99	4P			5.8	2345	241.25			23	1.20	6.5		2102	216.28		24	1.35	7.5	1811	186.30	25	1.60	8.2	1653	170.02	26	1.75			9.3	1466	150.78	26	1.95			11	1232	126.75	27	2.30	12	1132	116.48	27	2.50	14			1005	103.44	27	2.80	15			899	92.48	27	3.20	7.7	1775	182.55	11	0.95	GR89 GRF89	4P			9.0	1517	156.01	16	1.00			9.8	1390	143.03	17	1.05			11	1220	125.51	18	1.20	12	1156	118.94	18	1.30			13	1012	104.10	19	1.45	GR89 GRF89	4P	15	912	93.78	19	1.65			17	800	82.27	19	1.85			19	708	72.88	19	2.10	22	622	63.96	19	2.40			23	589	60.61	19	2.50			26	516	53.05	19	2.90	29	465			47.79	19	3.20	33	407			41.92	19	3.70	38	360	37.00	19	4.10	1.5kW							1.5kW							0.32	40576	4394	128	0.9	GR179R99 GRF179R99	4P	15	912	93.78	19	1.65	GR89 GRF89			4P	0.35	36476	3950			128			1.0	0.41			31665	3429	128			1.2	0.45	28609	3098	128					1.3	0.48	26909					2914			128	1.4			0.52			24767	2682	128	1.5			0.61		21184	2294		128	1.7	0.65	19928			2158	128		1.8	0.76		17047	1846	128	2.1	1.0	13252	1435	128	2.8	1.2	10980	1189	128	3.3	0.60	21544	2333	114	0.85	GR169R99 GRF169R99	4P	0.67	19254	2085	114			0.95	0.75			17333	1877	114	1.05	0.84	15422			1670	114	1.15			0.97	13279	1438			114			1.35	1.1	11811	1279	114	1.50	1.2	10370	1123	114	1.75	1.4	9225	999	114	1.95	3.3	3934	426	70	3.30	GR149R89 GRF149R89	4P	3.8	3398	368	70	3.90	GR149R79 GRF149R79	4P	0.82	15745			1705	39			0.85	0.91	14184	1536	57	0.90	1.1	12273	1329	61	1.05	1.2			10767	1166	63	1.20	1.4			9502	1029	65	1.35	1.6			8209	889	67			1.60	1.8	7240	784	68	1.85	2.0	6418	695	68	2.05	2.3	5716	619	69	2.30	2.5			5153	558	69	2.55																																																																																																																																																																																																																																																																																																		
6.6	2053	141.83	35	1.95			5.5	2486	255.71	22	1.15			GR99 GRF99	4P	5.8	2345	241.25			23	1.20	6.5	2102	216.28			24	1.35	7.5		1811	186.30		25	1.60	8.2	1653	170.02	26	1.75	9.3	1466	150.78	26	1.95			11	1232	126.75	27	2.30			12	1132	116.48	27	2.50	14	1005	103.44	27	2.80	15			899	92.48	27	3.20	7.7			1775	182.55	11	0.95	GR89 GRF89	4P	9.0	1517	156.01			16	1.00	9.8	1390	143.03	17	1.05			11	1220	125.51	18	1.20			12	1156	118.94	18	1.30	13	1012	104.10	19	1.45	GR89 GRF89	4P	15	912	93.78	19	1.65			17	800	82.27	19	1.85			19	708	72.88	19	2.10			22	622	63.96	19	2.40	23	589	60.61	19	2.50			26	516	53.05	19	2.90			29	465	47.79	19	3.20	33	407			41.92	19	3.70	38	360			37.00	19	4.10	1.5kW							1.5kW							0.32	40576	4394	128	0.9	GR179R99 GRF179R99	4P	15	912	93.78			19	1.65	GR89 GRF89	4P	0.35					36476	3950	128			1.0			0.41	31665			3429	128	1.2			0.45	28609	3098	128	1.3					0.48	26909	2914					128			1.4	0.52			24767			2682	128	1.5	0.61			21184		2294	128		1.7	0.65	19928	2158	128	1.8	0.76	17047	1846	128	2.1	1.0	13252	1435	128	2.8	1.2	10980	1189	128	3.3	0.60	21544	2333	114	0.85	GR169R99 GRF169R99	4P	0.67	19254	2085			114	0.95	0.75	17333			1877	114			1.05	0.84	15422	1670	114	1.15			0.97	13279	1438			114	1.35	1.1			11811	1279	114	1.50	1.2	10370	1123	114	1.75	1.4	9225	999	114	1.95	3.3	3934	426	70	3.30	GR149R89 GRF149R89	4P	3.8	3398	368	70	3.90	GR149R79 GRF149R79	4P	0.82	15745	1705			39	0.85			0.91	14184			1536	57	0.90	1.1	12273	1329	61	1.05	1.2	10767	1166	63			1.20	1.4	9502	1029	65			1.35	1.6	8209	889	67			1.60	1.8	7240			784	68	1.85	2.0	6418	695	68	2.05	2.3	5716	619	69	2.30	2.5	5153	558	69	2.55																																																																																																																																																																																																																																																																																																							
5.5	2486	255.71	22	1.15			GR99 GRF99	4P																																																																																																																																																																																																																																																																																																																																																																																																																																																																																																																																																																																																																																																																																																																														
5.8	2345	241.25	23	1.20	6.5	2102			216.28	24	1.35	7.5	1811			186.30	25	1.60			8.2	1653	170.02	26	1.75			9.3	1466	150.78		26	1.95		11	1232	126.75	27	2.30	12	1132	116.48	27	2.50	14	1005			103.44	27	2.80	15	899			92.48	27	3.20	7.7	1775	182.55	11	0.95	GR89 GRF89	4P	9.0			1517	156.01	16	1.00	9.8	1390	143.03	17	1.05	11	1220			125.51	18	1.20			12	1156	118.94	18	1.30	13	1012			104.10	19	1.45	GR89 GRF89	4P	15	912	93.78	19	1.65	17	800	82.27	19	1.85	19	708			72.88	19	2.10	22	622			63.96	19	2.40	23	589			60.61	19	2.50	26	516			53.05	19	2.90	29	465	47.79	19	3.20	33	407			41.92	19	3.70	38	360			37.00	19	4.10	1.5kW							1.5kW							0.32	40576	4394	128	0.9	GR179R99 GRF179R99	4P	15	912	93.78	19	1.65	GR89 GRF89	4P	0.35	36476	3950	128	1.0	0.41	31665			3429	128	1.2			0.45	28609			3098					128	1.3	0.48			26909			2914	128			1.4	0.52	24767			2682	128	1.5	0.61	21184					2294	128	1.7					0.65			19928	2158			128	1.8	0.76	17047	1846	128	2.1	1.0	13252	1435	128	2.8	1.2	10980	1189	128	3.3	0.60	21544	2333	114	0.85	GR169R99 GRF169R99	4P	0.67	19254	2085	114	0.95	0.75	17333	1877	114	1.05	0.84	15422	1670	114	1.15	0.97			13279	1438	114			1.35	1.1	11811	1279			114	1.50			1.2	10370	1123	114	1.75	1.4			9225	999	114	1.95	3.3	3934	426	70	3.30	GR149R89 GRF149R89	4P	3.8	3398	368	70	3.90	GR149R79 GRF149R79	4P	0.82	15745	1705	39	0.85	0.91	14184	1536	57	0.90	1.1	12273	1329	61	1.05	1.2	10767	1166			63	1.20	1.4			9502	1029			65	1.35			1.6	8209	889	67	1.60	1.8	7240	784	68	1.85	2.0	6418			695	68	2.05	2.3	5716			619	69	2.30	2.5	5153			558	69	2.55																																																																																																																																																																																																																																																																																																																											
6.5	2102	216.28	24	1.35	7.5	1811			186.30	25	1.60	8.2	1653			170.02	26	1.75			9.3	1466	150.78	26	1.95			11	1232	126.75		27	2.30		12	1132	116.48	27	2.50	14	1005	103.44	27	2.80	15	899			92.48	27	3.20	7.7	1775			182.55	11	0.95	GR89 GRF89	4P	9.0	1517	156.01			16	1.00	9.8	1390	143.03	17	1.05	11	1220	125.51	18	1.20	12	1156			118.94	18	1.30			13	1012	104.10	19	1.45	GR89 GRF89	4P	15	912	93.78	19	1.65			17	800	82.27	19	1.85	19	708	72.88	19	2.10	22	622			63.96	19	2.40	23	589			60.61	19	2.50	26	516			53.05	19	2.90	29	465			47.79	19	3.20	33	407	41.92	19	3.70	38	360			37.00	19	4.10	1.5kW							1.5kW							0.32	40576	4394	128	0.9	GR179R99 GRF179R99	4P	15	912	93.78	19	1.65			GR89 GRF89	4P	0.35	36476	3950			128	1.0	0.41	31665	3429	128	1.2			0.45	28609	3098			128	1.3			0.48					26909	2914	128			1.4			0.52	24767			2682	128	1.5			0.61	21184	2294	128	1.7					0.65	19928	2158					128			1.8	0.76	17047	1846	128	2.1	1.0	13252	1435	128	2.8	1.2	10980	1189	128	3.3	0.60	21544	2333	114	0.85	GR169R99 GRF169R99	4P	0.67	19254	2085			114	0.95	0.75	17333	1877	114	1.05	0.84	15422	1670	114	1.15	0.97	13279	1438	114			1.35	1.1	11811			1279	114	1.50	1.2			10370	1123			114	1.75	1.4	9225	999	114	1.95	3.3	3934	426	70	3.30	GR149R89 GRF149R89	4P	3.8	3398	368	70	3.90	GR149R79 GRF149R79	4P	0.82	15745	1705			39	0.85	0.91	14184	1536	57	0.90	1.1	12273	1329	61	1.05	1.2	10767	1166	63	1.20	1.4			9502	1029	65			1.35	1.6			8209	889			67	1.60	1.8	7240	784	68	1.85	2.0	6418	695	68	2.05			2.3	5716	619	69	2.30			2.5	5153	558	69	2.55																																																																																																																																																																																																																																																																																																																																
7.5	1811	186.30	25	1.60	8.2	1653			170.02	26	1.75	9.3	1466			150.78	26	1.95			11	1232	126.75	27	2.30			12	1132	116.48		27	2.50		14	1005	103.44	27	2.80	15	899	92.48	27	3.20	7.7	1775			182.55	11	0.95	GR89 GRF89	4P	9.0	1517	156.01	16	1.00			9.8	1390	143.03			17	1.05	11	1220	125.51	18	1.20	12	1156	118.94	18	1.30	13	1012			104.10	19	1.45	GR89 GRF89	4P	15	912	93.78	19	1.65			17	800	82.27	19	1.85			19	708	72.88	19	2.10	22	622	63.96	19	2.40	23	589			60.61	19	2.50	26	516			53.05	19	2.90	29	465			47.79	19	3.20	33	407			41.92	19	3.70	38	360	37.00	19	4.10	1.5kW							1.5kW							0.32	40576	4394	128	0.9	GR179R99 GRF179R99	4P	15	912	93.78	19	1.65			GR89 GRF89	4P	0.35	36476	3950					128	1.0	0.41			31665	3429	128	1.2	0.45	28609	3098			128	1.3	0.48			26909	2914			128					1.4	0.52	24767			2682			128	1.5			0.61	21184	2294			128	1.7	0.65	19928	2158					128	1.8	0.76			17047	1846	128	2.1	1.0	13252	1435	128	2.8	1.2	10980	1189	128	3.3	0.60	21544	2333	114	0.85	GR169R99 GRF169R99	4P	0.67	19254	2085	114	0.95			0.75	17333	1877			114	1.05	0.84	15422	1670	114	1.15	0.97	13279	1438	114	1.35	1.1	11811	1279	114			1.50	1.2	10370			1123	114	1.75	1.4			9225	999			114	1.95	3.3	3934	426	70	3.30	GR149R89 GRF149R89	4P	3.8	3398	368	70	3.90	GR149R79 GRF149R79	4P	0.82	15745	1705			39	0.85	0.91			14184	1536	57	0.90	1.1	12273	1329	61	1.05	1.2	10767	1166	63	1.20	1.4	9502	1029	65			1.35	1.6	8209			889	67			1.60	1.8			7240	784	68	1.85	2.0	6418	695	68	2.05	2.3	5716	619			69	2.30	2.5	5153	558	69	2.55																																																																																																																																																																																																																																																																																																																																					
8.2	1653	170.02	26	1.75	9.3	1466			150.78	26	1.95	11	1232			126.75	27	2.30			12	1132	116.48	27	2.50			14	1005	103.44		27	2.80		15	899	92.48	27	3.20	7.7	1775	182.55	11	0.95	GR89 GRF89	4P	9.0	1517	156.01	16	1.00			9.8	1390	143.03	17	1.05			11	1220	125.51			18	1.20	12	1156	118.94	18	1.30	13	1012	104.10	19	1.45	GR89 GRF89	4P	15	912	93.78	19	1.65			17	800	82.27	19	1.85			19	708	72.88	19	2.10			22	622	63.96	19	2.40	23	589	60.61	19	2.50	26	516			53.05	19	2.90	29	465			47.79	19	3.20	33	407			41.92	19	3.70	38	360			37.00	19	4.10	1.5kW							1.5kW							0.32	40576	4394	128	0.9	GR179R99 GRF179R99	4P	15	912	93.78			19	1.65	GR89 GRF89	4P	0.35					36476	3950	128					1.0	0.41	31665			3429	128	1.2	0.45	28609	3098	128			1.3	0.48	26909			2914	128			1.4					0.52	24767	2682			128			1.5	0.61			21184	2294	128			1.7	0.65	19928	2158	128			1.8	0.76	17047	1846	128	2.1	1.0	13252	1435	128	2.8	1.2	10980	1189	128	3.3	0.60	21544	2333	114	0.85	GR169R99 GRF169R99	4P	0.67	19254	2085			114	0.95	0.75	17333	1877			114	1.05	0.84			15422	1670	114	1.15	0.97	13279	1438	114	1.35	1.1	11811	1279	114	1.50	1.2	10370			1123	114	1.75			1.4	9225	999	114			1.95	3.3	3934	426	70	3.30	GR149R89 GRF149R89	4P	3.8	3398	368	70	3.90	GR149R79 GRF149R79	4P	0.82	15745	1705			39	0.85	0.91			14184	1536	57			0.90	1.1	12273	1329	61	1.05	1.2	10767	1166	63	1.20	1.4	9502	1029	65	1.35	1.6	8209			889	67	1.60			1.8	7240			784	68			1.85	2.0	6418	695	68	2.05	2.3	5716	619	69	2.30	2.5	5153	558	69	2.55																																																																																																																																																																																																																																																																																																																																										
9.3	1466	150.78	26	1.95	11	1232			126.75	27	2.30	12	1132			116.48	27	2.50			14	1005	103.44	27	2.80			15	899	92.48		27	3.20		7.7	1775	182.55	11	0.95	GR89 GRF89	4P	9.0	1517	156.01			16	1.00	9.8	1390	143.03			17	1.05	11	1220	125.51			18	1.20	12			1156	118.94	18	1.30	13	1012	104.10	19	1.45	GR89 GRF89	4P	15			912	93.78	19	1.65	17			800	82.27	19	1.85	19			708	72.88	19	2.10	22			622	63.96	19	2.40	23	589	60.61	19	2.50	26	516	53.05			19	2.90	29	465	47.79			19	3.20	33	407	41.92			19	3.70	38	360	37.00			19	4.10	1.5kW							1.5kW							0.32	40576	4394	128	0.9	GR179R99 GRF179R99			4P	15	912			93.78	19			1.65					GR89 GRF89	4P	0.35					36476	3950	128			1.0	0.41	31665	3429	128	1.2	0.45			28609	3098	128			1.3	0.48			26909					2914	128	1.4			0.52			24767	2682			128	1.5	0.61			21184	2294	128	1.7	0.65	19928	2158	128	1.8	0.76	17047	1846	128	2.1	1.0	13252	1435	128	2.8	1.2	10980	1189	128	3.3	0.60	21544	2333	114			0.85	GR169R99 GRF169R99	4P			0.67	19254	2085	114	0.95			0.75	17333	1877			114	1.05	0.84	15422	1670	114	1.15	0.97	13279	1438	114	1.35	1.1	11811	1279	114			1.50	1.2	10370			1123	114	1.75	1.4	9225	999	114	1.95	3.3	3934	426	70	3.30	GR149R89 GRF149R89	4P	3.8	3398	368	70			3.90	GR149R79 GRF149R79	4P			0.82	15745	1705			39	0.85	0.91			14184	1536	57	0.90	1.1	12273	1329	61	1.05	1.2	10767	1166	63	1.20	1.4	9502	1029	65			1.35	1.6	8209			889	67			1.60	1.8			7240	784	68	1.85	2.0	6418	695	68	2.05	2.3	5716	619	69	2.30	2.5	5153	558	69	2.55																																																																																																																																																																																																																																																																																																																																							
11	1232	126.75	27	2.30	12	1132			116.48	27	2.50	14	1005			103.44	27	2.80			15	899	92.48	27	3.20			7.7	1775	182.55	11	0.95	GR89 GRF89	4P	9.0	1517	156.01	16	1.00			9.8	1390	143.03			17	1.05	11	1220	125.51			18	1.20	12	1156	118.94			18	1.30	13	1012	104.10	19	1.45	GR89 GRF89	4P	15	912	93.78	19	1.65			17			800	82.27	19	1.85	19			708	72.88	19	2.10	22			622	63.96	19	2.40	23			589	60.61	19	2.50	26	516	53.05	19	2.90	29	465	47.79			19	3.20	33	407	41.92			19	3.70	38	360	37.00			19	4.10	1.5kW							1.5kW							0.32	40576	4394	128	0.9	GR179R99 GRF179R99	4P	15	912	93.78	19	1.65					GR89 GRF89	4P			0.35	36476			3950							128					1.0	0.41	31665			3429	128	1.2	0.45	28609	3098	128			1.3	0.48	26909			2914	128			1.4					0.52	24767	2682			128			1.5	0.61	21184	2294	128	1.7	0.65	19928	2158	128	1.8	0.76	17047	1846	128	2.1	1.0	13252	1435	128	2.8	1.2	10980	1189	128	3.3	0.60	21544	2333	114	0.85	GR169R99 GRF169R99	4P	0.67	19254	2085	114			0.95					0.75	17333	1877	114	1.05			0.84	15422	1670			114	1.15	0.97	13279	1438	114	1.35	1.1	11811	1279	114	1.50	1.2	10370	1123	114			1.75	1.4	9225	999	114	1.95	3.3	3934	426	70	3.30	GR149R89 GRF149R89	4P	3.8	3398	368	70	3.90	GR149R79 GRF149R79	4P	0.82	15745	1705	39			0.85					0.91	14184	1536			57	0.90	1.1			12273	1329	61	1.05	1.2	10767	1166	63	1.20	1.4	9502	1029	65	1.35	1.6	8209	889	67			1.60	1.8	7240			784	68			1.85	2.0	6418	695	68	2.05	2.3	5716	619	69	2.30	2.5	5153	558	69	2.55																																																																																																																																																																																																																																																																																																																																														
12	1132	116.48	27	2.50	14	1005			103.44	27	2.80	15	899			92.48	27	3.20			7.7	1775	182.55	11	0.95	GR89 GRF89	4P	9.0	1517	156.01	16	1.00			9.8	1390	143.03	17	1.05			11	1220	125.51			18	1.20	12	1156	118.94			18	1.30	13	1012	104.10	19	1.45	GR89 GRF89	4P	15	912	93.78	19	1.65			17	800	82.27	19	1.85			19			708	72.88	19	2.10	22			622	63.96	19	2.40	23			589	60.61	19	2.50	26			516	53.05	19	2.90	29	465	47.79	19	3.20	33	407	41.92			19	3.70	38	360	37.00			19	4.10	1.5kW							1.5kW							0.32	40576	4394	128	0.9	GR179R99 GRF179R99	4P	15	912	93.78	19	1.65			GR89 GRF89	4P	0.35	36476	3950									128	1.0			0.41							31665					3429	128	1.2			0.45	28609	3098	128	1.3	0.48	26909			2914	128	1.4			0.52	24767			2682					128	1.5	0.61			21184	2294	128	1.7	0.65	19928	2158	128	1.8	0.76	17047	1846	128	2.1	1.0	13252	1435	128	2.8	1.2	10980	1189	128	3.3	0.60	21544	2333	114	0.85	GR169R99 GRF169R99	4P	0.67	19254	2085			114	0.95	0.75	17333			1877					114	1.05	0.84	15422	1670			114	1.15	0.97			13279	1438	114	1.35	1.1	11811	1279	114	1.50	1.2	10370	1123	114	1.75	1.4	9225	999	114	1.95	3.3	3934	426	70	3.30	GR149R89 GRF149R89	4P	3.8	3398	368	70	3.90	GR149R79 GRF149R79	4P	0.82	15745	1705			39	0.85	0.91	14184			1536					57	0.90	1.1			12273	1329	61			1.05	1.2	10767	1166	63	1.20	1.4	9502	1029	65	1.35	1.6	8209	889	67	1.60	1.8	7240			784	68	1.85			2.0	6418	695	68	2.05	2.3	5716	619	69	2.30	2.5	5153	558	69	2.55																																																																																																																																																																																																																																																																																																																																																			
14	1005	103.44	27	2.80	15	899			92.48	27	3.20	7.7	1775			182.55	11	0.95	GR89 GRF89	4P	9.0	1517	156.01	16	1.00			9.8	1390	143.03	17	1.05			11	1220	125.51	18	1.20			12	1156	118.94			18	1.30	13	1012	104.10	19	1.45	GR89 GRF89	4P	15	912	93.78	19	1.65			17	800	82.27	19	1.85			19	708	72.88	19	2.10			22			622	63.96	19	2.40	23			589	60.61	19	2.50	26			516	53.05	19	2.90	29			465	47.79	19	3.20	33	407	41.92	19	3.70	38	360	37.00			19	4.10	1.5kW							1.5kW							0.32	40576	4394	128	0.9	GR179R99 GRF179R99	4P	15	912	93.78	19	1.65			GR89 GRF89	4P	0.35	36476	3950					128	1.0	0.41									31665	3429			128							1.2					0.45	28609	3098			128	1.3	0.48	26909	2914	128	1.4			0.52	24767	2682			128	1.5			0.61	21184			2294	128	1.7	0.65	19928	2158	128	1.8	0.76	17047	1846	128	2.1	1.0	13252	1435	128	2.8	1.2	10980	1189	128	3.3	0.60	21544	2333	114	0.85	GR169R99 GRF169R99	4P	0.67	19254	2085	114	0.95			0.75	17333	1877			114	1.05	0.84	15422			1670					114	1.15	0.97	13279	1438			114	1.35	1.1			11811	1279	114	1.50	1.2	10370	1123	114	1.75	1.4	9225	999	114	1.95	3.3	3934	426	70	3.30	GR149R89 GRF149R89	4P	3.8	3398	368	70	3.90	GR149R79 GRF149R79	4P	0.82	15745	1705			39	0.85	0.91			14184	1536	57	0.90			1.1					12273	1329	61			1.05	1.2	10767			1166	63	1.20	1.4	9502	1029	65	1.35	1.6	8209	889	67	1.60	1.8	7240	784	68	1.85			2.0	6418	695	68	2.05	2.3	5716	619	69	2.30	2.5	5153	558	69	2.55																																																																																																																																																																																																																																																																																																																																																								
15	899	92.48	27	3.20	7.7	1775			182.55	11	0.95	GR89 GRF89	4P	9.0	1517	156.01	16	1.00			9.8	1390	143.03	17	1.05			11	1220	125.51	18	1.20			12	1156	118.94	18	1.30			13	1012	104.10	19	1.45	GR89 GRF89	4P	15	912	93.78	19	1.65			17	800	82.27	19	1.85			19	708	72.88	19	2.10			22	622	63.96	19	2.40			23			589	60.61	19	2.50	26			516	53.05	19	2.90	29			465	47.79	19	3.20	33			407	41.92	19	3.70	38	360	37.00	19	4.10	1.5kW							1.5kW							0.32	40576	4394	128	0.9	GR179R99 GRF179R99	4P	15	912	93.78	19	1.65			GR89 GRF89	4P	0.35	36476	3950					128	1.0	0.41					31665	3429	128									1.2	0.45			28609							3098					128	1.3	0.48			26909	2914	128	1.4	0.52	24767	2682			128	1.5	0.61			21184	2294	128	1.7	0.65	19928	2158	128	1.8	0.76	17047	1846	128	2.1	1.0	13252	1435	128	2.8	1.2	10980	1189	128	3.3	0.60	21544	2333	114	0.85	GR169R99 GRF169R99	4P	0.67	19254	2085	114	0.95			0.75	17333	1877	114	1.05			0.84	15422	1670			114	1.15	0.97	13279			1438					114	1.35	1.1	11811	1279			114	1.50	1.2	10370	1123	114	1.75	1.4	9225	999	114	1.95	3.3	3934	426	70	3.30	GR149R89 GRF149R89	4P	3.8	3398	368	70	3.90	GR149R79 GRF149R79	4P	0.82	15745	1705	39	0.85			0.91	14184	1536			57	0.90	1.1			12273	1329	61	1.05			1.2					10767	1166	63			1.20	1.4	9502			1029	65	1.35	1.6	8209	889	67	1.60	1.8	7240	784	68	1.85	2.0	6418	695	68	2.05	2.3	5716	619	69	2.30	2.5	5153	558	69	2.55																																																																																																																																																																																																																																																																																																																																																															
7.7	1775	182.55	11	0.95	GR89 GRF89	4P																																																																																																																																																																																																																																																																																																																																																																																																																																																																																																																																																																																																																																																																																																																																
9.0	1517	156.01	16	1.00			9.8	1390	143.03	17	1.05			11	1220	125.51	18	1.20			12	1156	118.94	18	1.30			13	1012	104.10	19	1.45	GR89 GRF89	4P	15	912	93.78	19	1.65	17	800	82.27	19	1.85	19	708			72.88	19	2.10	22	622			63.96	19	2.40	23	589			60.61	19	2.50	26	516			53.05	19	2.90	29	465			47.79			19	3.20	33	407	41.92			19	3.70	38	360	37.00			19	4.10	1.5kW							1.5kW							0.32	40576	4394	128	0.9	GR179R99 GRF179R99	4P	15	912	93.78	19	1.65	GR89 GRF89	4P	0.35	36476	3950	128	1.0			0.41	31665	3429	128	1.2					0.45	28609	3098					128	1.3	0.48					26909	2914	128									1.4	0.52			24767							2682					128	1.5	0.61	21184	2294	128	1.7	0.65	19928	2158	128	1.8	0.76	17047	1846	128	2.1	1.0	13252	1435	128	2.8	1.2	10980	1189	128	3.3	0.60	21544	2333	114	0.85	GR169R99 GRF169R99	4P	0.67	19254	2085	114	0.95	0.75	17333	1877	114	1.05	0.84	15422	1670	114			1.15	0.97	13279	1438	114			1.35	1.1	11811	1279	114			1.50	1.2	10370			1123	114	1.75	1.4			9225			999	114	1.95	3.3	3934	426	70	3.30	GR149R89 GRF149R89	4P	3.8	3398	368	70	3.90	GR149R79 GRF149R79	4P	0.82	15745	1705	39	0.85	0.91	14184	1536	57	0.90	1.1	12273	1329	61	1.05	1.2			10767	1166	63	1.20	1.4			9502	1029	65			1.35	1.6	8209			889	67	1.60	1.8			7240					784	68	1.85			2.0	6418	695	68	2.05	2.3	5716	619	69	2.30	2.5	5153	558	69	2.55																																																																																																																																																																																																																																																																																																																																																																																	
9.8	1390	143.03	17	1.05			11	1220	125.51	18	1.20			12	1156	118.94	18	1.30			13	1012	104.10	19	1.45	GR89 GRF89	4P	15	912	93.78	19	1.65			17	800	82.27	19	1.85	19	708	72.88	19	2.10	22	622			63.96	19	2.40	23	589			60.61	19	2.50	26	516			53.05	19	2.90	29	465			47.79	19	3.20	33	407			41.92			19	3.70	38	360	37.00			19	4.10	1.5kW							1.5kW							0.32	40576	4394	128	0.9	GR179R99 GRF179R99	4P	15	912	93.78	19	1.65			GR89 GRF89	4P	0.35	36476	3950			128	1.0	0.41	31665	3429			128	1.2	0.45	28609	3098					128	1.3	0.48					26909	2914	128					1.4	0.52	24767									2682	128			1.5							0.61			21184	2294	128	1.7	0.65	19928	2158	128	1.8	0.76	17047	1846	128	2.1	1.0	13252	1435	128	2.8	1.2	10980	1189	128	3.3	0.60	21544	2333	114	0.85	GR169R99 GRF169R99	4P	0.67	19254	2085			114	0.95	0.75	17333	1877	114	1.05	0.84	15422	1670	114	1.15	0.97	13279			1438	114	1.35	1.1	11811			1279	114	1.50	1.2	10370			1123	114	1.75			1.4	9225	999	114	1.95	3.3	3934			426	70	3.30	GR149R89 GRF149R89	4P	3.8	3398	368	70	3.90	GR149R79 GRF149R79	4P	0.82	15745	1705			39	0.85	0.91	14184	1536	57	0.90	1.1	12273	1329	61	1.05	1.2	10767	1166	63			1.20	1.4	9502	1029	65			1.35	1.6	8209			889	67	1.60			1.8	7240	784	68			1.85					2.0	6418	695	68	2.05	2.3	5716	619	69	2.30	2.5	5153	558	69	2.55																																																																																																																																																																																																																																																																																																																																																																																						
11	1220	125.51	18	1.20			12	1156	118.94	18	1.30			13	1012	104.10	19	1.45	GR89 GRF89	4P	15	912	93.78	19	1.65			17	800	82.27	19	1.85			19	708	72.88	19	2.10	22	622	63.96	19	2.40	23	589			60.61	19	2.50	26	516			53.05	19	2.90	29	465			47.79	19	3.20	33	407			41.92	19	3.70	38	360			37.00			19	4.10	1.5kW							1.5kW							0.32	40576	4394	128	0.9	GR179R99 GRF179R99	4P	15	912	93.78	19	1.65			GR89 GRF89	4P	0.35	36476	3950					128	1.0	0.41			31665	3429	128	1.2	0.45			28609	3098	128	1.3	0.48					26909	2914	128					1.4	0.52	24767					2682	128	1.5									0.61	21184			2294			128	1.7			0.65	19928	2158	128	1.8	0.76	17047	1846	128	2.1	1.0	13252	1435	128	2.8	1.2	10980	1189	128	3.3	0.60	21544	2333	114	0.85	GR169R99 GRF169R99	4P	0.67	19254	2085	114	0.95			0.75	17333	1877			114	1.05	0.84	15422	1670	114	1.15	0.97	13279	1438	114	1.35	1.1	11811			1279	114	1.50	1.2	10370			1123	114	1.75	1.4	9225			999	114	1.95			3.3	3934	426	70	3.30	GR149R89 GRF149R89	4P	3.8	3398	368	70	3.90	GR149R79 GRF149R79	4P	0.82	15745	1705	39	0.85			0.91	14184	1536			57	0.90	1.1	12273	1329	61	1.05	1.2	10767	1166	63	1.20	1.4	9502	1029	65			1.35	1.6	8209	889	67			1.60	1.8	7240			784	68	1.85			2.0	6418	695	68			2.05			2.3	5716	619	69	2.30	2.5	5153	558	69	2.55																																																																																																																																																																																																																																																																																																																																																																																													
12	1156	118.94	18	1.30			13	1012	104.10	19	1.45	GR89 GRF89	4P	15	912	93.78	19	1.65			17	800	82.27	19	1.85			19	708	72.88	19	2.10			22	622	63.96	19	2.40	23	589	60.61	19	2.50	26	516			53.05	19	2.90	29	465			47.79	19	3.20	33	407			41.92	19	3.70	38	360			37.00	19	4.10	1.5kW							1.5kW							0.32	40576	4394	128	0.9	GR179R99 GRF179R99	4P	15	912	93.78	19	1.65	GR89 GRF89	4P			0.35	36476	3950	128	1.0					0.41	31665	3429					128	1.2	0.45			28609	3098	128	1.3	0.48			26909	2914	128	1.4	0.52					24767	2682	128					1.5	0.61	21184					2294	128	1.7									0.65	19928	2158	128	1.8	0.76	17047	1846	128			2.1	1.0	13252	1435	128	2.8	1.2	10980	1189	128	3.3	0.60	21544	2333	114	0.85	GR169R99 GRF169R99	4P	0.67	19254	2085	114	0.95	0.75	17333			1877	114	1.05	0.84	15422			1670	114	1.15			0.97	13279	1438	114	1.35	1.1	11811	1279	114	1.50	1.2	10370	1123	114			1.75	1.4	9225	999	114			1.95	3.3	3934	426	70			3.30	GR149R89 GRF149R89	4P	3.8	3398	368	70	3.90	GR149R79 GRF149R79	4P	0.82	15745	1705	39	0.85	0.91	14184			1536	57	0.90	1.1	12273			1329	61	1.05			1.2	10767	1166	63	1.20	1.4	9502	1029	65	1.35	1.6	8209	889	67	1.60	1.8			7240	784	68	1.85	2.0			6418	695	68			2.05	2.3	5716			619	69	2.30	2.5	5153	558	69			2.55																																																																																																																																																																																																																																																																																																																																																																																																						
13	1012	104.10	19	1.45	GR89 GRF89	4P																																																																																																																																																																																																																																																																																																																																																																																																																																																																																																																																																																																																																																																																																																																																
15	912	93.78	19	1.65			17	800	82.27	19	1.85			19	708	72.88	19	2.10			22	622	63.96	19	2.40			23	589	60.61	19	2.50			26	516	53.05	19	2.90	29	465	47.79	19	3.20	33	407			41.92	19	3.70	38	360			37.00	19	4.10	1.5kW							1.5kW							0.32	40576	4394	128	0.9	GR179R99 GRF179R99	4P	15	912	93.78	19	1.65	GR89 GRF89	4P	0.35	36476	3950	128	1.0			0.41	31665	3429	128	1.2					0.45	28609	3098	128	1.3					0.48	26909	2914					128	1.4	0.52			24767	2682	128	1.5	0.61			21184	2294	128	1.7	0.65					19928	2158	128					1.8	0.76	17047					1846	128	2.1		1.0	13252		1435	128	2.8	1.2	10980	1189	128	3.3	0.60	21544	2333	114	0.85	GR169R99 GRF169R99	4P	0.67	19254	2085	114	0.95	0.75	17333	1877	114	1.05	0.84	15422	1670	114	1.15	0.97			13279	1438	114	1.35	1.1	11811	1279			114	1.50	1.2	10370	1123			114	1.75	1.4			9225	999	114	1.95	3.3	3934	426	70	3.30	GR149R89 GRF149R89	4P	3.8	3398	368			70	3.90	GR149R79 GRF149R79	4P	0.82	15745	1705	39	0.85	0.91	14184	1536	57	0.90	1.1	12273	1329	61	1.05	1.2	10767	1166			63	1.20	1.4	9502	1029	65	1.35			1.6	8209	889	67	1.60			1.8	7240	784			68	1.85	2.0	6418	695	68	2.05	2.3	5716	619	69	2.30	2.5	5153	558	69			2.55																																																																																																																																																																																																																																																																																																																																																																																																																																
17	800	82.27	19	1.85			19	708	72.88	19	2.10			22	622	63.96	19	2.40			23	589	60.61	19	2.50			26	516	53.05	19	2.90			29	465	47.79	19	3.20	33	407	41.92	19	3.70	38	360			37.00	19	4.10	1.5kW							1.5kW							0.32	40576	4394	128	0.9	GR179R99 GRF179R99	4P	15	912	93.78	19	1.65			GR89 GRF89	4P	0.35	36476	3950			128	1.0	0.41	31665	3429			128	1.2	0.45	28609	3098					128	1.3	0.48	26909	2914					128	1.4	0.52					24767	2682	128			1.5	0.61	21184	2294	128			1.7	0.65	19928	2158	128					1.8	0.76	17047					1846	128	2.1			1.0	13252	1435	128	2.8	1.2	10980	1189	128	3.3	0.60	21544	2333	114	0.85	GR169R99 GRF169R99	4P	0.67	19254	2085	114	0.95			0.75	17333	1877	114	1.05	0.84	15422	1670	114	1.15	0.97	13279	1438	114	1.35	1.1			11811	1279	114	1.50	1.2	10370	1123			114	1.75	1.4	9225	999			114	1.95	3.3			3934	426	70	3.30	GR149R89 GRF149R89	4P	3.8	3398	368	70	3.90	GR149R79 GRF149R79	4P	0.82	15745	1705	39	0.85			0.91	14184	1536	57	0.90	1.1	12273	1329	61	1.05	1.2	10767	1166	63	1.20	1.4	9502	1029			65	1.35	1.6	8209	889	67	1.60			1.8	7240	784	68	1.85			2.0	6418	695			68	2.05	2.3	5716	619	69	2.30	2.5	5153	558	69	2.55																																																																																																																																																																																																																																																																																																																																																																																																																																							
19	708	72.88	19	2.10			22	622	63.96	19	2.40			23	589	60.61	19	2.50			26	516	53.05	19	2.90			29	465	47.79	19	3.20			33	407	41.92	19	3.70	38	360	37.00	19	4.10	1.5kW							1.5kW							0.32	40576	4394	128	0.9	GR179R99 GRF179R99	4P	15	912	93.78	19	1.65			GR89 GRF89	4P	0.35	36476	3950					128	1.0	0.41			31665	3429	128	1.2	0.45			28609	3098	128	1.3	0.48					26909	2914	128	1.4	0.52					24767	2682	128					1.5	0.61	21184			2294	128	1.7	0.65	19928			2158	128	1.8	0.76	17047					1846	128	2.1			1.0	13252	1435	128	2.8	1.2	10980	1189	128	3.3	0.60	21544	2333	114	0.85	GR169R99 GRF169R99	4P	0.67	19254	2085	114	0.95			0.75	17333	1877	114	1.05			0.84	15422	1670	114	1.15	0.97	13279	1438	114	1.35	1.1	11811	1279	114	1.50	1.2			10370	1123	114	1.75	1.4	9225	999			114	1.95	3.3	3934	426			70	3.30	GR149R89 GRF149R89			4P	3.8	3398	368	70	3.90	GR149R79 GRF149R79	4P	0.82	15745	1705			39	0.85	0.91	14184	1536			57	0.90	1.1	12273	1329	61	1.05	1.2	10767	1166	63	1.20	1.4	9502	1029	65	1.35	1.6			8209	889	67	1.60	1.8	7240	784			68	1.85	2.0	6418	695			68	2.05	2.3			5716	619	69	2.30	2.5	5153	558	69	2.55																																																																																																																																																																																																																																																																																																																																																																																																																																										
22	622	63.96	19	2.40			23	589	60.61	19	2.50			26	516	53.05	19	2.90			29	465	47.79	19	3.20			33	407	41.92	19	3.70			38	360	37.00	19	4.10	1.5kW							1.5kW							0.32	40576	4394	128	0.9	GR179R99 GRF179R99	4P	15	912	93.78			19	1.65	GR89 GRF89	4P	0.35					36476	3950	128					1.0	0.41	31665			3429	128	1.2	0.45	28609			3098	128	1.3	0.48	26909					2914	128	1.4	0.52	24767					2682	128	1.5					0.61	21184	2294			128	1.7	0.65	19928	2158			128	1.8	0.76	17047	1846			128	2.1	1.0	13252	1435	128	2.8	1.2	10980	1189	128	3.3	0.60	21544	2333	114	0.85	GR169R99 GRF169R99	4P	0.67	19254	2085			114	0.95	0.75	17333	1877			114	1.05	0.84	15422	1670			114	1.15	0.97	13279	1438	114	1.35	1.1	11811	1279	114	1.50	1.2	10370	1123	114			1.75	1.4	9225	999	114	1.95	3.3			3934	426	70	3.30	GR149R89 GRF149R89			4P	3.8	3398	368	70	3.90	GR149R79 GRF149R79	4P	0.82	15745	1705			39	0.85	0.91			14184	1536	57	0.90	1.1			12273	1329	61	1.05	1.2	10767	1166	63	1.20	1.4	9502	1029	65	1.35	1.6	8209	889	67			1.60	1.8	7240	784	68	1.85	2.0			6418	695	68	2.05	2.3			5716	619	69			2.30	2.5	5153	558	69	2.55																																																																																																																																																																																																																																																																																																																																																																																																																																													
23	589	60.61	19	2.50			26	516	53.05	19	2.90			29	465	47.79	19	3.20			33	407	41.92	19	3.70			38	360	37.00	19	4.10			1.5kW							1.5kW							0.32	40576	4394	128	0.9	GR179R99 GRF179R99	4P	15	912	93.78			19	1.65	GR89 GRF89			4P	0.35			36476					3950	128	1.0					0.41	31665	3429			128	1.2	0.45	28609	3098			128	1.3	0.48	26909	2914					128	1.4	0.52	24767	2682					128	1.5	0.61					21184	2294	128			1.7	0.65	19928	2158	128			1.8	0.76	17047	1846	128	2.1	1.0	13252	1435	128	2.8	1.2	10980	1189	128	3.3	0.60	21544	2333	114	0.85	GR169R99 GRF169R99	4P	0.67			19254	2085	114			0.95	0.75	17333	1877	114			1.05	0.84	15422	1670	114			1.15	0.97	13279	1438	114	1.35	1.1	11811	1279	114	1.50	1.2	10370	1123	114	1.75			1.4	9225	999	114	1.95	3.3	3934			426	70	3.30	GR149R89 GRF149R89	4P	3.8	3398	368	70	3.90	GR149R79 GRF149R79	4P	0.82			15745	1705	39			0.85	0.91	14184			1536	57	0.90	1.1	12273			1329	61	1.05	1.2	10767	1166	63	1.20	1.4	9502	1029	65	1.35	1.6	8209	889	67	1.60			1.8	7240	784	68	1.85	2.0	6418			695	68	2.05	2.3	5716			619	69	2.30			2.5	5153	558	69	2.55																																																																																																																																																																																																																																																																																																																																																																																																																																														
26	516	53.05	19	2.90			29	465	47.79	19	3.20			33	407	41.92	19	3.70			38	360	37.00	19	4.10			1.5kW							1.5kW							0.32	40576	4394	128	0.9	GR179R99 GRF179R99	4P	15	912	93.78	19	1.65			GR89 GRF89	4P	0.35			36476	3950					128			1.0					0.41	31665	3429					128	1.2	0.45			28609	3098	128	1.3	0.48			26909	2914	128	1.4	0.52					24767	2682	128	1.5	0.61					21184	2294	128					1.7	0.65	19928	2158	128	1.8	0.76	17047	1846	128	2.1	1.0	13252	1435	128	2.8	1.2	10980	1189	128	3.3	0.60	21544	2333	114	0.85	GR169R99 GRF169R99	4P	0.67	19254	2085	114	0.95			0.75			17333	1877	114			1.05	0.84	15422	1670	114			1.15	0.97	13279	1438	114			1.35	1.1	11811	1279	114	1.50	1.2	10370	1123	114	1.75	1.4	9225	999	114	1.95			3.3	3934	426	70	3.30	GR149R89 GRF149R89	4P	3.8	3398	368	70	3.90	GR149R79 GRF149R79	4P	0.82	15745	1705	39	0.85			0.91			14184	1536	57			0.90	1.1	12273			1329	61	1.05	1.2	10767			1166	63	1.20	1.4	9502	1029	65	1.35	1.6	8209	889	67	1.60	1.8	7240	784	68	1.85			2.0	6418	695	68	2.05	2.3	5716			619	69	2.30	2.5	5153			558	69	2.55																																																																																																																																																																																																																																																																																																																																																																																																																																																					
29	465	47.79	19	3.20			33	407	41.92	19	3.70			38	360	37.00	19	4.10			1.5kW							1.5kW							0.32	40576	4394	128	0.9	GR179R99 GRF179R99	4P	15	912	93.78	19	1.65			GR89 GRF89	4P	0.35	36476	3950					128			1.0	0.41					31665			3429					128	1.2	0.45					28609	3098	128			1.3	0.48	26909	2914	128			1.4	0.52	24767	2682	128					1.5	0.61	21184	2294	128					1.7	0.65	19928			2158	128	1.8	0.76	17047	1846	128	2.1	1.0	13252	1435	128	2.8	1.2	10980	1189	128	3.3	0.60	21544	2333	114	0.85	GR169R99 GRF169R99	4P	0.67	19254	2085			114	0.95	0.75	17333	1877			114			1.05	0.84	15422			1670	114	1.15	0.97	13279			1438	114	1.35	1.1	11811			1279	114	1.50	1.2	10370	1123	114	1.75	1.4	9225	999	114	1.95	3.3	3934	426	70	3.30	GR149R89 GRF149R89	4P	3.8	3398	368	70	3.90	GR149R79 GRF149R79	4P	0.82	15745	1705			39	0.85	0.91	14184	1536			57			0.90	1.1	12273			1329	61	1.05			1.2	10767	1166	63	1.20			1.4	9502	1029	65	1.35	1.6	8209	889	67	1.60	1.8	7240	784	68	1.85	2.0	6418	695			68	2.05	2.3	5716	619	69	2.30			2.5	5153	558	69	2.55																																																																																																																																																																																																																																																																																																																																																																																																																																																										
33	407	41.92	19	3.70			38	360	37.00	19	4.10			1.5kW							1.5kW							0.32	40576	4394	128	0.9	GR179R99 GRF179R99	4P	15	912	93.78	19	1.65			GR89 GRF89	4P	0.35	36476	3950					128	1.0	0.41					31665			3429	128					1.2			0.45					28609	3098	128					1.3	0.48	26909			2914	128	1.4	0.52	24767			2682	128	1.5	0.61	21184					2294	128	1.7	0.65	19928			2158	128	1.8	0.76	17047	1846	128	2.1	1.0	13252	1435	128	2.8	1.2	10980	1189	128	3.3	0.60	21544	2333	114	0.85	GR169R99 GRF169R99	4P	0.67	19254	2085	114	0.95			0.75	17333	1877			114	1.05	0.84	15422	1670			114			1.15	0.97	13279			1438	114	1.35	1.1	11811			1279	114	1.50	1.2	10370			1123	114	1.75	1.4	9225	999	114	1.95	3.3	3934	426	70	3.30	GR149R89 GRF149R89	4P	3.8	3398	368	70	3.90	GR149R79 GRF149R79	4P	0.82	15745	1705			39	0.85	0.91			14184	1536	57	0.90	1.1			12273			1329	61	1.05			1.2	10767	1166			63	1.20	1.4	9502	1029			65	1.35	1.6	8209	889	67	1.60	1.8	7240	784	68	1.85	2.0	6418	695	68	2.05	2.3			5716	619	69	2.30	2.5	5153	558	69	2.55																																																																																																																																																																																																																																																																																																																																																																																																																																																															
38	360	37.00	19	4.10																																																																																																																																																																																																																																																																																																																																																																																																																																																																																																																																																																																																																																																																																																																																		
1.5kW							1.5kW																																																																																																																																																																																																																																																																																																																																																																																																																																																																																																																																																																																																																																																																																																																															
0.32	40576	4394	128	0.9	GR179R99 GRF179R99	4P	15	912	93.78	19	1.65	GR89 GRF89	4P																																																																																																																																																																																																																																																																																																																																																																																																																																																																																																																																																																																																																																																																																																																									
0.35	36476	3950	128	1.0			0.41	31665	3429	128	1.2			0.45	28609	3098	128	1.3	0.48	26909	2914	128	1.4	0.52	24767	2682	128	1.5	0.61	21184	2294	128			1.7	0.65	19928	2158	128					1.8	0.76	17047					1846	128	2.1					1.0			13252	1435					128			2.8					1.2	10980	1189			128	3.3	0.60	21544	2333	114	0.85	GR169R99 GRF169R99	4P	0.67	19254	2085	114	0.95	0.75	17333	1877	114	1.05	0.84	15422	1670	114	1.15	0.97	13279	1438	114	1.35	1.1	11811	1279	114	1.50	1.2	10370	1123	114	1.75	1.4	9225	999	114	1.95	3.3	3934	426	70	3.30	GR149R89 GRF149R89	4P	3.8	3398			368	70	3.90	GR149R79 GRF149R79	4P			0.82	15745	1705			39	0.85	0.91	14184	1536			57	0.90	1.1	12273	1329	61	1.05	1.2	10767	1166	63	1.20	1.4	9502	1029	65	1.35	1.6	8209	889	67	1.60	1.8	7240	784	68	1.85	2.0	6418	695	68	2.05	2.3	5716	619	69	2.30	2.5	5153	558	69	2.55																																																																																																																																																																																																																																																																																																																																																																																																																																																																																																																																			
0.41	31665	3429	128	1.2			0.45	28609	3098	128	1.3			0.48	26909	2914	128	1.4	0.52	24767	2682	128	1.5	0.61	21184	2294	128	1.7	0.65	19928	2158	128			1.8	0.76	17047	1846	128					2.1	1.0	13252					1435	128	2.8					1.2			10980	1189					128			3.3			0.60	21544	2333	114	0.85	GR169R99 GRF169R99	4P	0.67	19254	2085	114	0.95	0.75	17333			1877	114	1.05	0.84	15422	1670	114	1.15	0.97	13279	1438	114	1.35	1.1	11811	1279	114	1.50	1.2	10370	1123	114	1.75	1.4	9225	999	114	1.95	3.3	3934	426	70	3.30	GR149R89 GRF149R89	4P	3.8	3398	368	70	3.90	GR149R79 GRF149R79	4P	0.82	15745			1705	39	0.85					0.91	14184	1536			57	0.90	1.1	12273	1329	61	1.05	1.2	10767	1166	63	1.20	1.4	9502	1029	65	1.35	1.6	8209	889	67	1.60	1.8	7240	784	68	1.85	2.0	6418	695	68	2.05	2.3	5716	619	69	2.30	2.5	5153	558	69	2.55																																																																																																																																																																																																																																																																																																																																																																																																																																																																																																																																										
0.45	28609	3098	128	1.3			0.48	26909	2914	128	1.4			0.52	24767	2682	128	1.5	0.61	21184	2294	128	1.7	0.65	19928	2158	128	1.8	0.76	17047	1846	128			2.1	1.0	13252	1435	128					2.8	1.2	10980					1189	128	3.3					0.60			21544	2333					114	0.85	GR169R99 GRF169R99	4P	0.67	19254	2085	114	0.95	0.75	17333			1877	114	1.05	0.84	15422	1670	114			1.15	0.97	13279	1438	114	1.35	1.1	11811	1279	114	1.50	1.2	10370	1123	114	1.75	1.4	9225	999	114	1.95	3.3	3934	426	70	3.30	GR149R89 GRF149R89	4P	3.8	3398	368	70	3.90	GR149R79 GRF149R79	4P	0.82	15745	1705	39	0.85			0.91	14184			1536	57	0.90					1.1	12273	1329	61	1.05	1.2	10767	1166	63	1.20	1.4	9502	1029	65	1.35	1.6	8209	889	67	1.60	1.8	7240	784	68	1.85	2.0	6418	695	68	2.05	2.3	5716	619	69	2.30	2.5	5153	558	69	2.55																																																																																																																																																																																																																																																																																																																																																																																																																																																																																																																																																	
0.48	26909	2914	128	1.4			0.52	24767	2682	128	1.5			0.61	21184	2294	128	1.7	0.65	19928	2158	128	1.8	0.76	17047	1846	128	2.1	1.0	13252	1435	128			2.8	1.2	10980	1189	128					3.3	0.60	21544					2333	114	0.85					GR169R99 GRF169R99			4P	0.67	19254	2085	114	0.95	0.75	17333			1877	114	1.05	0.84	15422	1670	114			1.15	0.97	13279	1438	114	1.35	1.1			11811	1279	114	1.50	1.2	10370	1123	114	1.75	1.4	9225	999	114	1.95	3.3	3934	426	70	3.30	GR149R89 GRF149R89	4P	3.8	3398	368	70	3.90	GR149R79 GRF149R79	4P	0.82	15745	1705	39	0.85			0.91	14184	1536	57	0.90			1.1	12273			1329	61	1.05			1.2	10767	1166	63	1.20	1.4	9502	1029	65	1.35	1.6	8209	889	67	1.60	1.8	7240	784	68	1.85	2.0	6418	695	68	2.05	2.3	5716	619	69	2.30	2.5	5153	558	69	2.55																																																																																																																																																																																																																																																																																																																																																																																																																																																																																																																																																								
0.52	24767	2682	128	1.5			0.61	21184	2294	128	1.7			0.65	19928	2158	128	1.8	0.76	17047	1846	128	2.1	1.0	13252	1435	128	2.8	1.2	10980	1189	128			3.3	0.60	21544	2333	114					0.85	GR169R99 GRF169R99	4P					0.67	19254	2085			114	0.95		0.75	17333		1877	114	1.05	0.84	15422	1670	114			1.15	0.97	13279	1438	114	1.35	1.1			11811	1279	114	1.50	1.2	10370	1123			114	1.75	1.4	9225	999	114	1.95	3.3	3934	426	70	3.30	GR149R89 GRF149R89	4P	3.8	3398	368	70	3.90	GR149R79 GRF149R79	4P	0.82	15745	1705	39	0.85			0.91	14184	1536	57	0.90			1.1	12273	1329	61	1.05			1.2	10767	1166	63	1.20	1.4	9502			1029	65	1.35	1.6	8209	889	67	1.60	1.8	7240	784	68	1.85	2.0	6418	695	68	2.05	2.3	5716	619	69	2.30	2.5	5153	558	69	2.55																																																																																																																																																																																																																																																																																																																																																																																																																																																																																																																																																															
0.61	21184	2294	128	1.7			0.65	19928	2158	128	1.8			0.76	17047	1846	128	2.1	1.0	13252	1435	128	2.8	1.2	10980	1189	128	3.3	0.60	21544	2333	114			0.85	GR169R99 GRF169R99	4P	0.67	19254					2085					114	0.95	0.75	17333	1877	114	1.05	0.84	15422		1670	114		1.15	0.97	13279	1438	114	1.35	1.1			11811	1279	114	1.50	1.2	10370	1123			114	1.75	1.4	9225	999	114	1.95			3.3	3934	426	70	3.30	GR149R89 GRF149R89	4P	3.8	3398	368	70	3.90	GR149R79 GRF149R79	4P	0.82	15745	1705	39	0.85			0.91	14184	1536	57	0.90			1.1	12273	1329	61	1.05			1.2	10767	1166	63	1.20			1.4	9502	1029	65	1.35	1.6	8209			889	67	1.60	1.8	7240	784	68	1.85	2.0	6418	695	68	2.05	2.3	5716	619	69	2.30	2.5	5153	558	69	2.55																																																																																																																																																																																																																																																																																																																																																																																																																																																																																																																																																																				
0.65	19928	2158	128	1.8			0.76	17047	1846	128	2.1			1.0	13252	1435	128	2.8	1.2	10980	1189	128	3.3	0.60	21544	2333	114	0.85	GR169R99 GRF169R99	4P	0.67	19254			2085			114	0.95			0.75	17333	1877			114	1.05	0.84	15422	1670	114	1.15	0.97	13279	1438	114		1.35	1.1		11811	1279	114	1.50	1.2	10370	1123			114	1.75	1.4	9225	999	114	1.95			3.3	3934	426	70	3.30	GR149R89 GRF149R89	4P			3.8	3398	368	70	3.90	GR149R79 GRF149R79	4P	0.82	15745	1705	39	0.85			0.91	14184	1536	57	0.90			1.1	12273	1329	61	1.05			1.2	10767	1166	63	1.20			1.4	9502	1029	65	1.35			1.6	8209	889	67	1.60	1.8	7240			784	68	1.85	2.0	6418	695	68	2.05	2.3	5716	619	69	2.30	2.5	5153	558	69	2.55																																																																																																																																																																																																																																																																																																																																																																																																																																																																																																																																																																									
0.76	17047	1846	128	2.1			1.0	13252	1435	128	2.8			1.2	10980	1189	128	3.3	0.60	21544	2333	114	0.85	GR169R99 GRF169R99	4P	0.67	19254	2085			114	0.95			0.75			17333	1877	114	1.05	0.84	15422	1670			114	1.15	0.97	13279	1438	114	1.35	1.1	11811	1279	114		1.50	1.2		10370	1123	114	1.75	1.4	9225	999			114	1.95	3.3	3934	426	70	3.30			GR149R89 GRF149R89	4P	3.8	3398	368	70	3.90			GR149R79 GRF149R79	4P	0.82	15745	1705			39	0.85	0.91	14184	1536			57	0.90	1.1	12273	1329			61	1.05	1.2	10767	1166			63	1.20	1.4	9502	1029			65	1.35	1.6	8209	889			67	1.60	1.8	7240	784	68	1.85			2.0	6418	695	68	2.05	2.3	5716	619	69	2.30	2.5	5153	558	69	2.55																																																																																																																																																																																																																																																																																																																																																																																																																																																																																																																																																																												
1.0	13252	1435	128	2.8			1.2	10980	1189	128	3.3			0.60	21544	2333	114	0.85	GR169R99 GRF169R99	4P	0.67	19254	2085			114	0.95	0.75			17333	1877	114	1.05	0.84			15422	1670	114	1.15	0.97	13279	1438			114	1.35	1.1	11811	1279	114	1.50	1.2	10370	1123	114		1.75	1.4		9225	999	114	1.95	3.3	3934	426			70	3.30	GR149R89 GRF149R89	4P	3.8	3398	368			70	3.90	GR149R79 GRF149R79	4P	0.82	15745	1705	39	0.85			0.91	14184	1536			57	0.90	1.1	12273	1329			61	1.05	1.2	10767	1166			63	1.20	1.4	9502	1029			65	1.35	1.6	8209	889			67	1.60	1.8	7240	784			68	1.85	2.0	6418	695	68	2.05			2.3	5716	619	69	2.30	2.5	5153	558	69	2.55																																																																																																																																																																																																																																																																																																																																																																																																																																																																																																																																																																																	
1.2	10980	1189	128	3.3			0.60	21544	2333	114	0.85	GR169R99 GRF169R99	4P	0.67	19254	2085	114	0.95			0.75	17333	1877			114	1.05	0.84			15422	1670	114	1.15	0.97			13279	1438	114	1.35	1.1	11811	1279			114	1.50	1.2	10370	1123	114	1.75	1.4	9225	999	114		1.95	3.3		3934	426	70	3.30	GR149R89 GRF149R89	4P	3.8			3398	368	70	3.90	GR149R79 GRF149R79	4P	0.82	15745	1705	39	0.85			0.91	14184	1536	57	0.90			1.1	12273	1329			61	1.05	1.2	10767	1166			63	1.20	1.4	9502	1029			65	1.35	1.6	8209	889			67	1.60	1.8	7240	784			68	1.85	2.0	6418	695			68	2.05	2.3	5716	619	69	2.30			2.5	5153	558	69	2.55																																																																																																																																																																																																																																																																																																																																																																																																																																																																																																																																																																																						
0.60	21544	2333	114	0.85			GR169R99 GRF169R99	4P																																																																																																																																																																																																																																																																																																																																																																																																																																																																																																																																																																																																																																																																																																																														
0.67	19254	2085	114	0.95	0.75	17333			1877	114	1.05			0.84	15422	1670	114	1.15			0.97	13279	1438			114	1.35	1.1			11811	1279	114	1.50	1.2			10370	1123	114	1.75	1.4	9225	999			114	1.95	3.3	3934	426	70	3.30	GR149R89 GRF149R89	4P	3.8	3398	368	70	3.90	GR149R79 GRF149R79	4P	0.82	15745	1705	39	0.85	0.91	14184	1536	57	0.90	1.1	12273			1329	61	1.05	1.2	10767			1166	63	1.20	1.4	9502			1029	65	1.35			1.6	8209	889	67	1.60			1.8	7240	784	68	1.85			2.0	6418	695	68	2.05			2.3	5716	619	69	2.30			2.5	5153	558	69	2.55																																																																																																																																																																																																																																																																																																																																																																																																																																																																																																																																																																																																						
0.75	17333	1877	114	1.05	0.84	15422			1670	114	1.15			0.97	13279	1438	114	1.35			1.1	11811	1279			114	1.50	1.2			10370	1123	114	1.75	1.4			9225	999	114	1.95	3.3	3934	426	70	3.30	GR149R89 GRF149R89	4P	3.8	3398	368	70	3.90	GR149R79 GRF149R79	4P	0.82	15745	1705	39	0.85			0.91	14184	1536	57	0.90	1.1	12273	1329	61	1.05	1.2	10767			1166	63	1.20	1.4	9502			1029	65	1.35	1.6	8209			889	67	1.60			1.8	7240	784	68	1.85			2.0	6418	695	68	2.05			2.3	5716	619	69	2.30			2.5	5153	558	69	2.55																																																																																																																																																																																																																																																																																																																																																																																																																																																																																																																																																																																																													
0.84	15422	1670	114	1.15	0.97	13279			1438	114	1.35			1.1	11811	1279	114	1.50			1.2	10370	1123			114	1.75	1.4			9225	999	114	1.95	3.3	3934	426	70	3.30	GR149R89 GRF149R89	4P	3.8	3398	368	70	3.90	GR149R79 GRF149R79	4P	0.82	15745	1705	39	0.85			0.91	14184	1536	57	0.90			1.1	12273	1329	61	1.05	1.2	10767	1166	63	1.20	1.4	9502			1029	65	1.35	1.6	8209			889	67	1.60	1.8	7240			784	68	1.85			2.0	6418	695	68	2.05			2.3	5716	619	69	2.30			2.5	5153	558	69	2.55																																																																																																																																																																																																																																																																																																																																																																																																																																																																																																																																																																																																																				
0.97	13279	1438	114	1.35	1.1	11811			1279	114	1.50			1.2	10370	1123	114	1.75			1.4	9225	999			114	1.95	3.3	3934	426	70	3.30	GR149R89 GRF149R89	4P	3.8	3398	368	70	3.90	GR149R79 GRF149R79	4P	0.82	15745	1705	39	0.85			0.91	14184	1536	57	0.90			1.1	12273	1329	61	1.05			1.2	10767	1166	63	1.20	1.4	9502	1029	65	1.35	1.6	8209			889	67	1.60	1.8	7240			784	68	1.85	2.0	6418			695	68	2.05			2.3	5716	619	69	2.30			2.5	5153	558	69	2.55																																																																																																																																																																																																																																																																																																																																																																																																																																																																																																																																																																																																																											
1.1	11811	1279	114	1.50	1.2	10370			1123	114	1.75			1.4	9225	999	114	1.95			3.3	3934	426	70	3.30	GR149R89 GRF149R89	4P	3.8	3398	368	70	3.90	GR149R79 GRF149R79	4P	0.82	15745	1705	39	0.85			0.91	14184	1536	57	0.90			1.1	12273	1329	61	1.05			1.2	10767	1166	63	1.20			1.4	9502	1029	65	1.35	1.6	8209	889	67	1.60	1.8	7240			784	68	1.85	2.0	6418			695	68	2.05	2.3	5716			619	69	2.30			2.5	5153	558	69	2.55																																																																																																																																																																																																																																																																																																																																																																																																																																																																																																																																																																																																																																		
1.2	10370	1123	114	1.75	1.4	9225			999	114	1.95			3.3	3934	426	70	3.30	GR149R89 GRF149R89	4P	3.8	3398	368	70	3.90	GR149R79 GRF149R79	4P	0.82	15745	1705	39	0.85			0.91	14184	1536	57	0.90			1.1	12273	1329	61	1.05			1.2	10767	1166	63	1.20			1.4	9502	1029	65	1.35			1.6	8209	889	67	1.60	1.8	7240	784	68	1.85	2.0	6418			695	68	2.05	2.3	5716			619	69	2.30	2.5	5153			558	69	2.55																																																																																																																																																																																																																																																																																																																																																																																																																																																																																																																																																																																																																																									
1.4	9225	999	114	1.95	3.3	3934			426	70	3.30	GR149R89 GRF149R89	4P	3.8	3398	368	70	3.90	GR149R79 GRF149R79	4P	0.82	15745	1705	39	0.85			0.91	14184	1536	57	0.90			1.1	12273	1329	61	1.05			1.2	10767	1166	63	1.20			1.4	9502	1029	65	1.35			1.6	8209	889	67	1.60			1.8	7240	784	68	1.85	2.0	6418	695	68	2.05	2.3	5716			619	69	2.30	2.5	5153			558	69	2.55																																																																																																																																																																																																																																																																																																																																																																																																																																																																																																																																																																																																																																																
3.3	3934	426	70	3.30	GR149R89 GRF149R89	4P																																																																																																																																																																																																																																																																																																																																																																																																																																																																																																																																																																																																																																																																																																																																
3.8	3398	368	70	3.90	GR149R79 GRF149R79	4P																																																																																																																																																																																																																																																																																																																																																																																																																																																																																																																																																																																																																																																																																																																																
0.82	15745	1705	39	0.85			0.91	14184	1536	57	0.90	1.1	12273	1329	61	1.05	1.2	10767			1166	63	1.20	1.4	9502			1029	65	1.35	1.6	8209			889	67	1.60	1.8	7240			784	68	1.85	2.0	6418			695	68	2.05	2.3	5716			619	69	2.30	2.5	5153			558	69	2.55																																																																																																																																																																																																																																																																																																																																																																																																																																																																																																																																																																																																																																																																					
0.91	14184	1536	57	0.90			1.1	12273	1329	61	1.05	1.2	10767	1166	63	1.20	1.4	9502			1029	65	1.35	1.6	8209			889	67	1.60	1.8	7240			784	68	1.85	2.0	6418			695	68	2.05	2.3	5716			619	69	2.30	2.5	5153			558	69	2.55																																																																																																																																																																																																																																																																																																																																																																																																																																																																																																																																																																																																																																																																												
1.1	12273	1329	61	1.05			1.2	10767	1166	63	1.20	1.4	9502	1029	65	1.35	1.6	8209			889	67	1.60	1.8	7240			784	68	1.85	2.0	6418			695	68	2.05	2.3	5716			619	69	2.30	2.5	5153			558	69	2.55																																																																																																																																																																																																																																																																																																																																																																																																																																																																																																																																																																																																																																																																																			
1.2	10767	1166	63	1.20			1.4	9502	1029	65	1.35	1.6	8209	889	67	1.60	1.8	7240			784	68	1.85	2.0	6418			695	68	2.05	2.3	5716			619	69	2.30	2.5	5153			558	69	2.55																																																																																																																																																																																																																																																																																																																																																																																																																																																																																																																																																																																																																																																																																										
1.4	9502	1029	65	1.35			1.6	8209	889	67	1.60	1.8	7240	784	68	1.85	2.0	6418			695	68	2.05	2.3	5716			619	69	2.30	2.5	5153			558	69	2.55																																																																																																																																																																																																																																																																																																																																																																																																																																																																																																																																																																																																																																																																																																	
1.6	8209	889	67	1.60			1.8	7240	784	68	1.85	2.0	6418	695	68	2.05	2.3	5716			619	69	2.30	2.5	5153			558	69	2.55																																																																																																																																																																																																																																																																																																																																																																																																																																																																																																																																																																																																																																																																																																								
1.8	7240	784	68	1.85			2.0	6418	695	68	2.05	2.3	5716	619	69	2.30	2.5	5153			558	69	2.55																																																																																																																																																																																																																																																																																																																																																																																																																																																																																																																																																																																																																																																																																																															
2.0	6418	695	68	2.05			2.3	5716	619	69	2.30	2.5	5153	558	69	2.55																																																																																																																																																																																																																																																																																																																																																																																																																																																																																																																																																																																																																																																																																																																						
2.3	5716	619	69	2.30			2.5	5153	558	69	2.55																																																																																																																																																																																																																																																																																																																																																																																																																																																																																																																																																																																																																																																																																																																											
2.5	5153	558	69	2.55																																																																																																																																																																																																																																																																																																																																																																																																																																																																																																																																																																																																																																																																																																																																		

**选型参数表
(恒功率)**
**Selection Table
(Constant Power)**

n_a [r/min]	M_a [N.m]	i	F_{Ra} [kN]	f_B	机型号 Type size	极数 Pole	n_a [r/min]	M_a [N.m]	i	F_{Ra} [kN]	f_B	机型号 Type size	极数 Pole
1.5kW							1.5kW						
15	904	92.97	8.1	0.85			73	182	19.31	2.5	1.00		
17	795	81.80	9.3	1.00			78	170	18.05	2.7	1.10		
18	751	77.24	10	1.05			90	147	15.60	3.0	1.25		
21	639	65.77	11	1.25			106	125	13.25	3.2	1.40		
24	561	57.68	11	1.40			118	111	11.83	3.1	1.50		
27	506	52.07	11	1.55	GR79	4P	138	95	10.11	3.0	1.65	GR39 GRF39	4P
31	445	45.81	12	1.75	GRF79		148	89	9.47	3.0	1.75		
32	421	43.26	12	1.85			176	75	7.97	2.8	1.95		
38	358	36.83	12	2.20			210	63	6.67	2.7	2.10		
42	325	33.47	12	2.40			247	53	5.67	2.6	2.50		
48	282	29.00	12	2.80			277	48	5.06	2.5	2.60		
55	245	25.23	11	3.00			324	41	4.32	2.4	2.90		
60	227	23.37	11	3.50	GR79		346	38	4.05	2.3	3.00		
65	208	21.43	11	3.80	GRF79		411	32	3.41	2.2	3.20		
74	183	18.80	10	4.10			214	61	13.25	2.7	2.70		
23	595	61.26	6.9	0.95			240	55	11.83	2.7	2.90		
25	553	56.89	7.4	1.05			281	47	10.11	2.5	3.20		
27	501	51.56	8.0	1.15	GR69	4P	300	44	9.47	2.5	3.30		
30	450	46.29	8.4	1.30	GRF69		356	37	7.97	2.4	3.70		
35	388	39.88	8.8	1.45			90	147	15.63	1.6	0.80		
37	365	37.50	9.0	1.50			105	125	13.28	1.9	0.95		
43	314	32.27	9.3	1.65			118	112	11.86	2.0	1.05		
49	280	28.83	9.4	1.80			138	95	10.13	1.9	1.20		
50	273	28.13	9.5	1.90			172	77	8.16	1.8	1.40		
52	260	26.72	9.4	2.00	GR69	4P	183	72	7.63	1.8	1.45		
60	228	23.44	9.0	2.30	GRF69		212	62	6.59	1.7	1.60		
70	193	19.89	8.6	3.00			250	53	5.60	1.7	1.75		
78	174	17.95	8.4	3.20			280	47	5.00	1.6	1.85		
26	517	53.22	4.9	0.85				328	40	4.27	1.6	2.00	
29	469	48.23	5.7	0.90			350	38	4.00	1.5	2.10		
32	421	43.30	5.6	1.00	GR59	4P	415	32	3.37	1.5	2.30		
38	363	37.30	5.5	1.20	GRF59		239	55	11.86	1.7	2.00		
40	341	35.07	5.4	1.25			280	47	10.13	1.7	2.30		
46	293	30.18	5.3	1.45			348	38	8.16	1.6	2.70		
52	262	26.97	5.1	1.65			372	35	7.63	1.5	2.80		
53	256	26.31	5.1	1.70			431	31	6.59	1.5	3.00		
56	243	24.99	5.1	1.75			507	26	5.60	1.4	3.30		
64	213	21.93	4.9	2.00		568	23	5.00	1.4	3.60			
75	181	18.60	4.7	2.40	GR59	4P	665	20	4.27	1.3	3.80		
83	163	16.79	4.6	2.60	GRF59		710	19	4.00	1.3	4.00		
95	144	14.77	4.5	2.90			843	16	3.37	1.2	4.40		
100	136	13.95	4.4	3.00			249	56	5.63	5.3	1.90		
118	115	11.88	4.2	3.40			262	53	5.35	5.2	1.90		
38	359	36.93	2.3	0.80				296	47	4.73	5.0	2.60	
40	338	34.73	3.6	0.85	GR49	4P	347	40	4.04	4.8	3.50		
47	290	29.88	4.0	1.00	GRF49		378	37	3.70	4.7	4.10		
52	260	26.70	3.9	1.10			431	32	3.25	4.5	5.50		
61	222	22.81	3.8	1.25			455	31	3.08	4.4	6.20		
60	226	23.28	3.8	1.25			519	27	2.70	4.2	7.80		
64	212	21.81	3.8	1.35			576	24	2.43	4.1	8.70		
73	187	19.27	3.7	1.50			309	45	4.53	3.4	1.80		
78	174	17.89	3.6	1.60		326	43	4.30	3.3	1.85			
86	158	16.22	3.6	1.65		371	38	3.77	3.2	2.30			
96	142	14.56	3.5	1.80		438	32	3.20	3.1	3.10			
112	122	12.54	3.3	1.95		484	29	2.89	3.0	3.60			
119	115	11.79	3.3	2.00	GR49	4P	551	25	2.54	2.9	4.60		
138	99	10.15	3.2	2.20	GRF49		583	24	2.40	2.8	5.00		
154	88	9.07	3.1	2.40			686	20	2.04	2.7	6.40		
181	75	7.75	2.9	2.10			753	19	1.86	2.6	6.70		
201	68	6.96	2.8	2.20			870	16	1.61	2.5	7.00		
233	58	6.00	2.7	2.60			1000	14	1.40	2.4	7.30		
248	55	5.64	2.7	2.70			369	38	3.79	2.6	1.80		
289	47	4.85	2.6	3.00		394	35	3.55	2.5	1.90			
323	42	4.34	2.5	3.30		446	31	3.14	2.4	2.00			
378	36	3.70	2.4	3.70		481	29	2.91	2.4	2.30			
						530	26	2.64	2.3	2.60			

选型参数表
(恒功率)
Selection Table
(Constant Power)

n_a [r/min]	M_a [N.m]	i	F_{Ra} [kN]	f_B	机型号 Type size	极数 Pole	n_a [r/min]	M_a [N.m]	i	F_{Ra} [kN]	f_B	机型号 Type size	极数 Pole																																																																																																																																																																																																																																																																																																																																																																																																																																				
1.5kW							2.2kW																																																																																																																																																																																																																																																																																																																																																																																																																																										
591	24	2.37	2.2	2.90	GRX59 GRXF59	4P	3.9	4893	369	11	0.85	GR109R79 GRF109R79	4P																																																																																																																																																																																																																																																																																																																																																																																																																																				
686	20	2.04	2.1	3.30			729	19	1.92	2.1	3.50			848	16	1.65	2.0	4.10	946	15	1.48	1.9	4.50	1111	13	1.26	1.9	4.70	2.2kW							2.2kW							0.43	44579	3362	128	0.8	GR179R109 GRF179R109	4P	4.4	4309	325	27	1.00	GR109R79 GRF109R79	4P	0.51	37141	2801	128	1.0	0.58	32805	2474	128	1.1	0.62	30763	2320	128	1.2	0.69	27501	2074	128	1.3	0.77	24756	1867	128	1.5	0.85	22422	1691	128	1.6	0.95	19876	1499	128	1.8	1.1	17967	1355	128	2.0	1.3	14970	1129	128	2.4	1.3	14135	1066	128	2.6	1.5	12716	959	128	2.9	6.1	3103	234	11	0.95	GR99R59 GRF99R59	4P	6.8	2771	209	21	1.05	GR99R59 GRF99R59	4P	3.2	6258	222.60	53	1.20	GR139 GRF139	8P	3.8	5298	188.45	55	1.40	4.1	4903	174.40	55	1.55	4.5	4394	156.31	56	1.70	5.0	3967	141.12	57	1.90	5.5	3603	128.18	57	2.10	6.2	3197	113.72	57	2.30	6.9	2901	103.20	57	2.60	4.6	4314	203.16	27	0.95	GR109 GRF109	6P	5.5	3659	172.34	30	1.10	5.9	3369	158.68	31	1.20	6.6	3012	141.83	33	1.35	GR109 GRF109	4P	5.7	3505	251.15	31	1.15	6.2	3210	229.95	32	1.25	7.0	2836	203.16	33	1.40	8.3	2405	172.34	34	1.65	9.0	2230	158.68	34	1.80	10	1980	141.83	35	2.00	11	1782	127.68	35	2.30	12	1614	115.63	35	2.50	14	1431	102.53	35	2.80	15	1294	92.70	35	3.10	6.6	3019	216.28	6.7	0.95	GR99 GRF99	4P	7.7	2600	186.30	21	1.10	8.4	2373	170.02	23	1.20	9.5	2105	150.78	24	1.35	11	1769	126.75	25	1.60	12	1626	116.48	26	1.75	14	1444	103.44	26	1.95	15	1291	92.48	26	2.20	17	1161	83.15	27	2.40	20	1007	72.17	27	2.80	22	910	65.21	26	3.10	24	836	59.92	26	3.40	27	743	53.21	25	3.80	30	664	47.58	24	4.20	11	1752	125.51	10	0.85	GR89 GRF89	4P	12	1660	118.94	14	0.90	14	1453	104.10	16	1.00	15	1309	93.78	17	1.10	17	1148	82.27	18	1.25	20	1017	72.88	19	1.45	22	893	63.96	19	1.65	24	846	60.61	19	1.70	27	740	53.05	19	1.95	30	667	47.79	19	2.20	34	585	41.92	19	2.50	39	516	37.00	18	2.80	44	458	32.80	18	3.20	41	482	34.55	18	2.90	GR89 GRF89	4P	45	440	31.53	17	3.30	51	390	27.96	17	3.70	61	328	23.51	16	4.40	66	301	21.60	16	4.70																										
729	19	1.92	2.1	3.50			848	16	1.65	2.0	4.10			946	15	1.48	1.9	4.50	1111	13	1.26	1.9	4.70	2.2kW							2.2kW							0.43	44579	3362	128	0.8	GR179R109 GRF179R109	4P	4.4	4309	325			27	1.00	GR109R79 GRF109R79	4P	0.51	37141	2801	128	1.0	0.58	32805	2474	128	1.1	0.62	30763	2320	128	1.2	0.69	27501	2074	128	1.3	0.77	24756	1867	128	1.5	0.85	22422	1691	128	1.6	0.95	19876	1499	128	1.8	1.1	17967	1355	128	2.0	1.3	14970	1129	128	2.4	1.3	14135	1066	128	2.6	1.5	12716	959	128	2.9	6.1	3103	234	11	0.95	GR99R59 GRF99R59	4P	6.8	2771	209	21	1.05	GR99R59 GRF99R59	4P	3.2	6258	222.60	53	1.20	GR139 GRF139	8P	3.8			5298	188.45	55	1.40	4.1	4903	174.40	55	1.55	4.5	4394	156.31	56	1.70	5.0	3967	141.12	57	1.90	5.5	3603	128.18	57	2.10	6.2	3197	113.72	57	2.30	6.9	2901	103.20	57	2.60	4.6	4314	203.16	27	0.95	GR109 GRF109			6P	5.5	3659	172.34	30	1.10	5.9	3369	158.68	31	1.20	6.6	3012	141.83	33			1.35	GR109 GRF109	4P	5.7	3505	251.15	31	1.15	6.2	3210	229.95	32	1.25	7.0	2836	203.16	33	1.40	8.3	2405	172.34	34	1.65	9.0	2230	158.68	34	1.80	10	1980	141.83	35	2.00	11	1782	127.68	35	2.30	12	1614	115.63	35	2.50	14	1431	102.53	35	2.80	15	1294	92.70	35	3.10	6.6	3019			216.28	6.7	0.95	GR99 GRF99	4P	7.7	2600	186.30	21	1.10	8.4	2373	170.02	23	1.20	9.5	2105	150.78	24	1.35	11	1769	126.75	25	1.60	12	1626	116.48	26	1.75	14	1444	103.44	26	1.95	15	1291	92.48	26	2.20	17	1161	83.15	27	2.40	20	1007	72.17	27	2.80	22	910	65.21	26	3.10	24	836	59.92	26	3.40	27	743	53.21	25	3.80	30	664	47.58	24	4.20			11	1752	125.51	10	0.85	GR89 GRF89	4P	12	1660	118.94	14	0.90	14	1453	104.10	16	1.00	15	1309	93.78	17	1.10	17	1148	82.27	18	1.25	20	1017	72.88	19	1.45	22	893	63.96	19	1.65	24	846	60.61	19	1.70	27	740	53.05	19	1.95	30	667	47.79	19	2.20	34	585	41.92	19	2.50	39	516	37.00	18	2.80	44	458	32.80			18	3.20	41	482	34.55	18	2.90	GR89 GRF89	4P	45	440	31.53	17	3.30	51	390	27.96	17	3.70	61	328	23.51	16	4.40	66	301	21.60	16	4.70																	
848	16	1.65	2.0	4.10			946	15	1.48	1.9	4.50			1111	13	1.26	1.9	4.70	2.2kW							2.2kW							0.43	44579	3362	128	0.8	GR179R109 GRF179R109	4P	4.4	4309	325			27	1.00	GR109R79 GRF109R79			4P	0.51	37141	2801	128	1.0	0.58	32805	2474	128	1.1	0.62	30763	2320	128	1.2	0.69	27501	2074	128	1.3	0.77	24756	1867	128	1.5	0.85	22422	1691	128	1.6	0.95	19876	1499	128	1.8	1.1	17967	1355	128	2.0	1.3	14970	1129	128	2.4	1.3	14135	1066	128	2.6	1.5	12716	959	128	2.9	6.1	3103	234	11	0.95	GR99R59 GRF99R59	4P	6.8	2771	209	21	1.05	GR99R59 GRF99R59	4P	3.2	6258	222.60	53	1.20	GR139 GRF139	8P	3.8			5298			188.45	55	1.40	4.1	4903	174.40	55	1.55	4.5	4394	156.31	56	1.70	5.0	3967	141.12	57	1.90	5.5	3603	128.18	57	2.10	6.2	3197	113.72	57	2.30	6.9	2901	103.20	57	2.60	4.6	4314	203.16	27	0.95	GR109 GRF109					6P	5.5	3659	172.34	30	1.10	5.9	3369	158.68	31	1.20	6.6	3012	141.83			33			1.35	GR109 GRF109	4P	5.7	3505	251.15	31	1.15	6.2	3210	229.95	32	1.25	7.0	2836	203.16	33	1.40	8.3	2405	172.34	34	1.65	9.0	2230	158.68	34	1.80	10	1980	141.83	35	2.00	11	1782	127.68	35	2.30	12	1614	115.63	35	2.50	14	1431	102.53	35	2.80	15	1294	92.70	35			3.10	6.6	3019			216.28	6.7	0.95	GR99 GRF99	4P	7.7	2600	186.30	21	1.10	8.4	2373	170.02	23	1.20	9.5	2105	150.78	24	1.35	11	1769	126.75	25	1.60	12	1626	116.48	26	1.75	14	1444	103.44	26	1.95	15	1291	92.48	26	2.20	17	1161	83.15	27	2.40	20	1007	72.17	27	2.80	22	910	65.21	26	3.10	24	836	59.92	26	3.40	27	743	53.21	25	3.80			30	664	47.58	24	4.20			11	1752	125.51	10	0.85	GR89 GRF89	4P	12	1660	118.94	14	0.90	14	1453	104.10	16	1.00	15	1309	93.78	17	1.10	17	1148	82.27	18	1.25	20	1017	72.88	19	1.45	22	893	63.96	19	1.65	24	846	60.61	19	1.70	27	740	53.05	19	1.95	30	667	47.79	19	2.20	34	585	41.92	19	2.50	39			516	37.00	18	2.80	44	458	32.80			18	3.20	41	482	34.55	18	2.90	GR89 GRF89	4P	45	440	31.53	17	3.30	51	390	27.96	17	3.70	61	328	23.51	16	4.40	66	301	21.60	16	4.70								
946	15	1.48	1.9	4.50			1111	13	1.26	1.9	4.70			2.2kW							2.2kW							0.43	44579	3362	128	0.8	GR179R109 GRF179R109	4P	4.4	4309	325			27	1.00	GR109R79 GRF109R79			4P	0.51	37141			2801	128	1.0	0.58	32805	2474	128	1.1	0.62	30763	2320	128	1.2	0.69	27501	2074	128	1.3	0.77	24756	1867	128	1.5	0.85	22422	1691	128	1.6	0.95	19876	1499	128	1.8	1.1	17967	1355	128	2.0	1.3	14970	1129	128	2.4	1.3	14135	1066	128	2.6	1.5	12716	959	128	2.9	6.1	3103	234	11	0.95	GR99R59 GRF99R59	4P	6.8	2771	209	21	1.05	GR99R59 GRF99R59	4P	3.2	6258	222.60	53	1.20	GR139 GRF139	8P	3.8			5298			188.45			55	1.40	4.1	4903	174.40	55	1.55	4.5	4394	156.31	56	1.70	5.0	3967	141.12	57	1.90	5.5	3603	128.18	57	2.10	6.2	3197	113.72	57	2.30	6.9	2901	103.20	57	2.60	4.6	4314	203.16	27	0.95	GR109 GRF109			6P	5.5			3659	172.34	30	1.10	5.9	3369	158.68	31	1.20	6.6	3012	141.83	33			1.35			GR109 GRF109			4P	5.7	3505	251.15	31	1.15	6.2	3210	229.95	32	1.25	7.0	2836	203.16	33	1.40	8.3	2405	172.34	34	1.65	9.0	2230	158.68	34	1.80	10	1980	141.83	35	2.00	11	1782	127.68	35	2.30	12	1614	115.63	35	2.50	14	1431	102.53	35	2.80	15	1294	92.70			35	3.10	6.6			3019	216.28	6.7			0.95	GR99 GRF99	4P	7.7	2600	186.30	21	1.10	8.4	2373	170.02	23	1.20	9.5	2105	150.78	24	1.35	11	1769	126.75	25	1.60	12	1626	116.48	26	1.75	14	1444	103.44	26	1.95	15	1291	92.48	26	2.20	17	1161	83.15	27	2.40	20	1007	72.17	27	2.80	22	910	65.21	26	3.10	24	836	59.92	26	3.40	27	743			53.21	25	3.80	30	664			47.58	24	4.20	11	1752			125.51	10	0.85	GR89 GRF89	4P	12	1660	118.94	14	0.90	14	1453	104.10	16	1.00	15	1309	93.78	17	1.10	17	1148	82.27	18	1.25	20	1017	72.88	19	1.45	22	893	63.96	19	1.65	24	846	60.61	19	1.70	27	740	53.05	19	1.95	30	667	47.79	19	2.20	34			585	41.92	19	2.50	39	516	37.00			18	2.80	44	458	32.80	18	3.20			41	482	34.55	18	2.90	GR89 GRF89	4P	45	440	31.53	17	3.30	51	390	27.96	17	3.70	61	328	23.51	16	4.40	66	301	21.60	16	4.70	
1111	13	1.26	1.9	4.70			2.2kW							2.2kW							0.43	44579	3362	128	0.8	GR179R109 GRF179R109	4P	4.4	4309	325	27	1.00			GR109R79 GRF109R79	4P	0.51			37141	2801	128			1.0	0.58	32805			2474	128	1.1	0.62	30763	2320	128	1.2	0.69	27501	2074	128	1.3	0.77	24756	1867	128	1.5	0.85	22422	1691	128	1.6	0.95	19876	1499	128	1.8	1.1	17967	1355	128	2.0	1.3	14970	1129	128	2.4	1.3	14135	1066	128	2.6	1.5	12716	959	128	2.9	6.1	3103	234	11	0.95	GR99R59 GRF99R59	4P	6.8	2771	209	21	1.05	GR99R59 GRF99R59	4P	3.2	6258	222.60	53	1.20	GR139 GRF139	8P	3.8	5298	188.45			55			1.40			4.1			4903	174.40	55	1.55	4.5	4394	156.31	56	1.70	5.0	3967	141.12	57	1.90	5.5	3603	128.18	57	2.10	6.2	3197	113.72	57	2.30	6.9	2901	103.20	57	2.60	4.6	4314	203.16	27	0.95	GR109 GRF109	6P	5.5			3659		172.34	30		1.10	5.9	3369	158.68	31	1.20	6.6	3012	141.83	33	1.35	GR109 GRF109	4P			5.7							3505	251.15	31	1.15	6.2	3210	229.95	32	1.25	7.0	2836	203.16	33	1.40	8.3	2405	172.34	34	1.65	9.0	2230	158.68	34	1.80	10	1980	141.83	35	2.00	11	1782	127.68	35	2.30	12	1614	115.63	35	2.50	14	1431	102.53	35	2.80	15	1294	92.70	35			3.10	6.6	3019			216.28	6.7	0.95			GR99 GRF99			4P	7.7	2600	186.30	21	1.10	8.4	2373	170.02	23	1.20	9.5	2105	150.78	24	1.35	11	1769	126.75	25	1.60	12	1626	116.48	26	1.75	14	1444	103.44	26	1.95	15	1291	92.48	26	2.20	17	1161	83.15	27	2.40	20	1007	72.17	27	2.80	22	910	65.21	26	3.10	24	836	59.92	26	3.40	27			743	53.21	25	3.80	30			664	47.58	24	4.20	11			1752	125.51	10			0.85	GR89 GRF89	4P	12	1660	118.94	14	0.90	14	1453	104.10	16	1.00	15	1309	93.78	17	1.10	17	1148	82.27	18	1.25	20	1017	72.88	19	1.45	22	893	63.96	19	1.65	24	846	60.61	19	1.70	27	740	53.05	19	1.95	30	667	47.79			19	2.20	34	585	41.92	19	2.50			39	516	37.00	18	2.80	44	458			32.80	18	3.20	41	482			34.55	18	2.90	GR89 GRF89	4P	45	440	31.53	17	3.30	51	390	27.96	17	3.70	61	328	23.51	16	4.40	66
2.2kW							2.2kW																																																																																																																																																																																																																																																																																																																																																																																																																																										
0.43	44579	3362	128	0.8	GR179R109 GRF179R109	4P	4.4	4309	325	27	1.00	GR109R79 GRF109R79	4P																																																																																																																																																																																																																																																																																																																																																																																																																																				
0.51	37141	2801	128	1.0			0.58	32805	2474	128	1.1	0.62	30763	2320	128	1.2	0.69	27501	2074	128	1.3	0.77	24756	1867	128			1.5	0.85	22422	1691	128			1.6	0.95	19876			1499	128	1.8			1.1	17967	1355			128	2.0	1.3	14970	1129	128	2.4	1.3	14135	1066	128	2.6	1.5	12716	959	128	2.9	6.1	3103	234	11	0.95	GR99R59 GRF99R59	4P	6.8	2771	209	21	1.05	GR99R59 GRF99R59	4P	3.2	6258	222.60	53	1.20	GR139 GRF139	8P	3.8	5298	188.45	55	1.40	4.1	4903	174.40	55	1.55	4.5	4394	156.31	56	1.70	5.0	3967	141.12	57	1.90	5.5	3603	128.18	57	2.10	6.2	3197	113.72	57			2.30	6.9	2901			103.20			57			2.60			4.6	4314	203.16	27	0.95	GR109 GRF109	6P	5.5	3659	172.34	30	1.10	5.9	3369	158.68	31	1.20	6.6	3012	141.83	33	1.35	GR109 GRF109	4P	5.7	3505	251.15	31	1.15	6.2	3210	229.95	32	1.25	7.0	2836	203.16	33	1.40	8.3	2405	172.34	34	1.65	9.0	2230	158.68	34	1.80	10	1980	141.83	35	2.00	11					1782							127.68	35	2.30	12	1614	115.63	35	2.50	14	1431	102.53	35	2.80	15	1294	92.70	35	3.10	6.6	3019	216.28	6.7	0.95	GR99 GRF99	4P	7.7	2600	186.30	21	1.10	8.4	2373	170.02	23	1.20	9.5	2105	150.78	24	1.35	11	1769	126.75	25	1.60	12	1626	116.48			26	1.75	14			1444	103.44	26							1.95	15	1291	92.48	26	2.20	17	1161	83.15	27	2.40	20	1007	72.17	27	2.80	22	910	65.21	26	3.10	24	836	59.92	26	3.40	27	743	53.21	25	3.80	30	664	47.58	24	4.20	11	1752	125.51	10	0.85	GR89 GRF89	4P	12	1660	118.94	14	0.90	14	1453	104.10	16	1.00	15	1309	93.78			17	1.10	17	1148	82.27			18	1.25	20	1017	72.88			19	1.45	22			893			63.96	19	1.65	24	846	60.61	19	1.70	27	740	53.05	19	1.95	30	667	47.79	19	2.20	34	585	41.92	19	2.50	39	516	37.00	18	2.80	44	458	32.80	18	3.20	41	482	34.55	18	2.90	GR89 GRF89	4P	45	440	31.53	17	3.30	51	390	27.96	17	3.70	61	328	23.51	16	4.40	66	301	21.60	16	4.70																															
0.58	32805	2474	128	1.1			0.62	30763	2320	128	1.2	0.69	27501	2074	128	1.3	0.77	24756	1867	128	1.5	0.85	22422	1691	128			1.6	0.95	19876	1499	128			1.8	1.1	17967			1355	128	2.0			1.3	14970	1129			128	2.4	1.3	14135	1066	128	2.6	1.5	12716	959	128	2.9	6.1	3103	234	11	0.95	GR99R59 GRF99R59	4P	6.8	2771	209	21	1.05	GR99R59 GRF99R59	4P	3.2	6258	222.60	53	1.20	GR139 GRF139	8P	3.8	5298	188.45			55	1.40	4.1	4903	174.40	55	1.55	4.5	4394	156.31	56	1.70	5.0	3967	141.12	57	1.90	5.5	3603	128.18	57	2.10	6.2	3197	113.72	57	2.30	6.9	2901			103.20	57	2.60			4.6			4314			203.16			27	0.95	GR109 GRF109	6P	5.5			3659	172.34	30	1.10	5.9	3369	158.68	31	1.20	6.6	3012	141.83	33	1.35	GR109 GRF109			4P	5.7	3505	251.15	31	1.15	6.2	3210	229.95	32	1.25	7.0	2836	203.16	33	1.40	8.3	2405	172.34	34	1.65	9.0	2230	158.68	34	1.80	10	1980	141.83	35	2.00					11							1782	127.68	35	2.30	12	1614	115.63	35	2.50	14	1431	102.53	35	2.80	15	1294	92.70	35	3.10	6.6	3019	216.28	6.7			0.95	GR99 GRF99	4P	7.7	2600	186.30	21	1.10	8.4	2373	170.02	23	1.20	9.5	2105	150.78	24	1.35	11	1769	126.75	25	1.60			12	1626	116.48			26	1.75	14							1444	103.44	26	1.95	15	1291	92.48	26	2.20	17	1161	83.15	27	2.40	20	1007	72.17	27	2.80	22	910	65.21	26	3.10	24	836	59.92	26	3.40	27	743	53.21	25	3.80	30	664	47.58	24	4.20	11	1752			125.51	10	0.85	GR89 GRF89	4P	12	1660	118.94	14	0.90	14	1453	104.10			16	1.00	15	1309	93.78			17	1.10	17	1148	82.27			18	1.25	20			1017			72.88	19	1.45	22	893	63.96	19	1.65	24	846	60.61	19	1.70	27	740	53.05	19	1.95	30	667	47.79	19	2.20	34	585	41.92	19	2.50	39	516	37.00	18	2.80	44	458	32.80	18	3.20			41	482	34.55	18	2.90	GR89 GRF89	4P	45	440	31.53	17	3.30	51	390	27.96	17	3.70	61	328	23.51	16	4.40	66	301	21.60	16	4.70																								
0.62	30763	2320	128	1.2			0.69	27501	2074	128	1.3	0.77	24756	1867	128	1.5	0.85	22422	1691	128	1.6	0.95	19876	1499	128			1.8	1.1	17967	1355	128			2.0	1.3	14970			1129	128	2.4			1.3	14135	1066			128	2.6	1.5	12716	959	128	2.9	6.1	3103	234	11	0.95	GR99R59 GRF99R59	4P	6.8	2771	209	21	1.05	GR99R59 GRF99R59	4P	3.2	6258	222.60	53	1.20	GR139 GRF139	8P	3.8	5298	188.45			55	1.40	4.1			4903	174.40	55	1.55	4.5	4394	156.31	56	1.70	5.0	3967	141.12	57	1.90	5.5	3603	128.18	57	2.10	6.2	3197	113.72	57	2.30	6.9	2901	103.20	57	2.60			4.6	4314	203.16			27			0.95			GR109 GRF109			6P	5.5			3659			172.34	30	1.10	5.9	3369	158.68	31	1.20	6.6	3012	141.83	33	1.35	GR109 GRF109					4P	5.7	3505	251.15	31	1.15	6.2	3210	229.95	32	1.25	7.0	2836	203.16	33	1.40	8.3	2405	172.34	34	1.65	9.0	2230	158.68	34	1.80	10	1980	141.83	35					2.00							11	1782	127.68	35	2.30	12	1614	115.63	35	2.50	14	1431	102.53	35	2.80	15	1294	92.70	35	3.10	6.6	3019	216.28			6.7			0.95	GR99 GRF99	4P	7.7	2600	186.30	21	1.10	8.4	2373	170.02	23	1.20	9.5	2105	150.78	24	1.35	11	1769			126.75	25	1.60			12	1626	116.48							26	1.75	14	1444	103.44	26	1.95	15	1291	92.48	26	2.20	17	1161	83.15	27	2.40	20	1007	72.17	27	2.80	22	910	65.21	26	3.10	24	836	59.92	26	3.40	27	743	53.21	25	3.80	30	664	47.58	24			4.20	11	1752			125.51	10	0.85	GR89 GRF89	4P	12	1660	118.94			14	0.90	14	1453	104.10			16	1.00	15	1309	93.78			17	1.10	17			1148			82.27	18	1.25	20	1017	72.88	19	1.45	22	893	63.96	19	1.65	24	846	60.61	19	1.70	27	740	53.05	19	1.95	30	667	47.79	19	2.20	34	585	41.92	19	2.50	39	516	37.00	18	2.80			44	458	32.80	18	3.20			41	482	34.55	18	2.90	GR89 GRF89	4P	45	440	31.53	17	3.30	51	390	27.96	17	3.70	61	328	23.51	16	4.40	66	301	21.60	16			4.70															
0.69	27501	2074	128	1.3			0.77	24756	1867	128	1.5	0.85	22422	1691	128	1.6	0.95	19876	1499	128	1.8	1.1	17967	1355	128			2.0	1.3	14970	1129	128			2.4	1.3	14135			1066	128	2.6			1.5	12716	959			128	2.9	6.1	3103	234	11	0.95	GR99R59 GRF99R59	4P	6.8	2771	209	21	1.05	GR99R59 GRF99R59	4P	3.2	6258	222.60	53	1.20	GR139 GRF139	8P	3.8	5298	188.45			55	1.40	4.1			4903	174.40	55			1.55	4.5	4394	156.31	56	1.70	5.0	3967	141.12	57	1.90	5.5	3603	128.18	57	2.10	6.2	3197	113.72	57	2.30	6.9	2901	103.20	57	2.60	4.6	4314	203.16			27	0.95	GR109 GRF109			6P			5.5				3659	172.34		30			1.10	5.9	3369	158.68	31	1.20	6.6	3012	141.83	33	1.35	GR109 GRF109	4P	5.7	3505	251.15							31	1.15	6.2	3210	229.95	32	1.25	7.0	2836	203.16	33	1.40	8.3	2405	172.34	34	1.65	9.0	2230	158.68	34	1.80	10	1980	141.83	35	2.00	11	1782			127.68	35	2.30							12	1614	115.63	35	2.50	14	1431	102.53	35	2.80	15	1294	92.70	35	3.10	6.6	3019	216.28	6.7	0.95	GR99 GRF99	4P	7.7			2600			186.30			21	1.10	8.4	2373	170.02	23	1.20	9.5	2105	150.78	24	1.35	11	1769	126.75	25	1.60	12	1626	116.48	26	1.75			14	1444	103.44							26	1.95	15	1291	92.48	26	2.20	17	1161	83.15	27	2.40	20	1007	72.17	27	2.80	22	910	65.21	26	3.10	24	836	59.92	26	3.40	27	743	53.21	25	3.80	30	664	47.58	24	4.20	11	1752	125.51	10			0.85	GR89 GRF89	4P			12	1660	118.94			14	0.90	14	1453	104.10	16	1.00	15	1309	93.78			17	1.10	17	1148	82.27			18	1.25	20			1017			72.88	19	1.45	22	893	63.96	19	1.65	24	846	60.61	19	1.70	27	740	53.05	19	1.95	30	667	47.79	19	2.20	34	585	41.92	19	2.50	39	516	37.00	18	2.80	44	458	32.80	18	3.20			41	482	34.55	18	2.90			GR89 GRF89	4P	45	440	31.53			17	3.30	51	390	27.96	17	3.70	61	328	23.51	16	4.40	66	301	21.60	16	4.70																				
0.77	24756	1867	128	1.5			0.85	22422	1691	128	1.6	0.95	19876	1499	128	1.8	1.1	17967	1355	128	2.0	1.3	14970	1129	128			2.4	1.3	14135	1066	128			2.6	1.5	12716			959	128	2.9			6.1	3103	234			11	0.95	GR99R59 GRF99R59	4P	6.8	2771	209	21	1.05	GR99R59 GRF99R59	4P	3.2	6258	222.60	53	1.20	GR139 GRF139	8P	3.8	5298	188.45			55	1.40	4.1			4903	174.40	55			1.55	4.5	4394			156.31	56	1.70	5.0	3967	141.12	57	1.90	5.5	3603	128.18	57	2.10	6.2	3197	113.72	57	2.30	6.9	2901	103.20	57	2.60	4.6	4314	203.16	27	0.95	GR109 GRF109			6P	5.5							3659	172.34	30		1.10	5.9		3369	158.68	31	1.20	6.6	3012	141.83	33	1.35	GR109 GRF109	4P	5.7	3505	251.15			31	1.15	6.2							3210	229.95	32	1.25	7.0	2836	203.16	33	1.40	8.3	2405	172.34	34	1.65	9.0	2230	158.68	34	1.80	10	1980	141.83	35	2.00	11	1782	127.68	35	2.30			12	1614	115.63	35	2.50					14	1431	102.53	35	2.80	15	1294	92.70	35	3.10	6.6	3019	216.28	6.7	0.95	GR99 GRF99	4P	7.7	2600	186.30			21			1.10			8.4			2373	170.02	23	1.20	9.5	2105	150.78	24	1.35	11	1769	126.75	25	1.60	12	1626	116.48	26	1.75	14	1444	103.44	26	1.95	15	1291	92.48							26	2.20	17	1161	83.15	27	2.40	20	1007	72.17	27	2.80	22	910	65.21	26	3.10	24	836	59.92	26	3.40	27	743	53.21	25	3.80	30	664	47.58	24	4.20	11	1752	125.51	10	0.85	GR89 GRF89	4P	12	1660			118.94					14	0.90	14			1453	104.10	16	1.00	15	1309	93.78	17	1.10	17	1148	82.27	18	1.25	20	1017	72.88			19	1.45	22			893			63.96	19	1.65	24	846	60.61	19	1.70	27	740	53.05	19	1.95	30	667	47.79	19	2.20	34	585	41.92	19	2.50	39	516	37.00	18	2.80	44	458	32.80	18	3.20	41	482	34.55	18	2.90			GR89 GRF89	4P	45	440	31.53					17	3.30	51			390	27.96	17	3.70	61	328	23.51	16	4.40	66	301	21.60	16	4.70																							
0.85	22422	1691	128	1.6			0.95	19876	1499	128	1.8	1.1	17967	1355	128	2.0	1.3	14970	1129	128	2.4	1.3	14135	1066	128			2.6	1.5	12716	959	128			2.9	6.1	3103			234	11	0.95			GR99R59 GRF99R59	4P	6.8			2771	209	21	1.05	GR99R59 GRF99R59	4P	3.2	6258	222.60	53	1.20	GR139 GRF139	8P	3.8	5298	188.45			55	1.40	4.1			4903	174.40	55			1.55	4.5	4394			156.31	56	1.70			5.0	3967	141.12	57	1.90	5.5	3603	128.18	57	2.10	6.2	3197	113.72	57	2.30	6.9	2901	103.20	57	2.60	4.6	4314	203.16	27	0.95	GR109 GRF109	6P	5.5					3659					172.34	30	1.10	5.9	3369	158.68	31	1.20	6.6	3012	141.83	33	1.35	GR109 GRF109	4P	5.7	3505	251.15			31	1.15	6.2			3210	229.95	32							1.25	7.0	2836	203.16	33	1.40	8.3	2405	172.34	34	1.65	9.0	2230	158.68	34	1.80	10	1980	141.83	35	2.00	11	1782	127.68	35	2.30	12	1614	115.63			35	2.50	14	1431	102.53		35	2.80		15	1294	92.70	35	3.10	6.6	3019	216.28	6.7	0.95	GR99 GRF99	4P	7.7	2600	186.30			21	1.10	8.4			2373			170.02			23			1.20	9.5	2105	150.78	24	1.35	11	1769	126.75	25	1.60	12	1626	116.48	26	1.75	14	1444	103.44	26	1.95	15	1291	92.48	26	2.20	17	1161	83.15					27	2.40	20	1007	72.17	27	2.80	22	910	65.21	26	3.10	24	836	59.92	26	3.40	27	743	53.21	25	3.80	30	664	47.58	24	4.20	11	1752	125.51	10	0.85	GR89 GRF89	4P	12	1660	118.94			14	0.90			14					1453	104.10	16			1.00	15	1309	93.78	17	1.10	17	1148	82.27	18	1.25	20	1017	72.88	19	1.45	22	893	63.96	19	1.65	24			846			60.61	19	1.70	27	740	53.05	19	1.95	30	667	47.79	19	2.20	34	585	41.92	19	2.50	39	516	37.00	18	2.80	44	458	32.80	18	3.20	41	482	34.55	18	2.90	GR89 GRF89	4P	45	440	31.53					17	3.30	51					390	27.96	17			3.70	61	328	23.51	16	4.40	66	301	21.60	16	4.70																										
0.95	19876	1499	128	1.8			1.1	17967	1355	128	2.0	1.3	14970	1129	128	2.4	1.3	14135	1066	128	2.6	1.5	12716	959	128			2.9	6.1	3103	234	11			0.95	GR99R59 GRF99R59	4P			6.8	2771	209			21	1.05	GR99R59 GRF99R59			4P	3.2	6258	222.60	53	1.20	GR139 GRF139	8P	3.8	5298	188.45			55	1.40	4.1			4903	174.40	55			1.55	4.5	4394			156.31	56	1.70			5.0	3967	141.12			57	1.90	5.5	3603	128.18	57	2.10	6.2	3197	113.72	57	2.30	6.9	2901	103.20	57	2.60	4.6	4314	203.16	27	0.95	GR109 GRF109	6P	5.5			3659					172.34	30	1.10	5.9	3369	158.68	31	1.20	6.6	3012	141.83	33	1.35	GR109 GRF109	4P	5.7	3505	251.15			31	1.15	6.2			3210	229.95	32			1.25	7.0	2836							203.16	33	1.40	8.3	2405	172.34	34	1.65	9.0	2230	158.68	34	1.80	10	1980	141.83	35	2.00	11	1782	127.68	35	2.30	12	1614	115.63	35	2.50	14			1431	102.53	35	2.80	15	1294	92.70	35	3.10	6.6	3019	216.28	6.7	0.95	GR99 GRF99	4P	7.7	2600	186.30			21	1.10	8.4			2373	170.02	23			1.20			9.5			2105			150.78	24	1.35	11	1769	126.75	25	1.60	12	1626	116.48	26	1.75	14	1444	103.44	26	1.95	15	1291	92.48	26	2.20	17	1161	83.15	27	2.40	20		1007	72.17		27	2.80	22	910	65.21	26	3.10	24	836	59.92	26	3.40	27	743	53.21	25	3.80	30	664	47.58	24	4.20	11	1752	125.51	10	0.85	GR89 GRF89	4P	12	1660	118.94			14	0.90	14			1453	104.10			16					1.00	15	1309			93.78	17	1.10	17	1148	82.27	18	1.25	20	1017	72.88	19	1.45	22	893	63.96	19	1.65	24	846	60.61	19	1.70	27	740			53.05	19	1.95	30	667	47.79	19	2.20	34	585	41.92	19	2.50	39	516	37.00	18	2.80	44	458	32.80	18	3.20	41	482	34.55	18	2.90	GR89 GRF89	4P	45	440	31.53			17	3.30	51	390	27.96			17	3.70	61					328	23.51	16			4.40	66	301	21.60	16	4.70																															
1.1	17967	1355	128	2.0			1.3	14970	1129	128	2.4	1.3	14135	1066	128	2.6	1.5	12716	959	128	2.9	6.1	3103	234	11			0.95	GR99R59 GRF99R59	4P	6.8	2771			209	21	1.05			GR99R59 GRF99R59	4P	3.2			6258	222.60	53	1.20	GR139 GRF139	8P	3.8	5298	188.45	55	1.40			4.1	4903	174.40			55	1.55	4.5			4394	156.31	56			1.70	5.0	3967			141.12	57	1.90			5.5	3603	128.18			57	2.10	6.2	3197	113.72	57	2.30	6.9	2901	103.20	57	2.60	4.6	4314	203.16	27	0.95	GR109 GRF109	6P	5.5	3659	172.34			30			1.10	5.9	3369	158.68	31	1.20	6.6	3012	141.83	33	1.35	GR109 GRF109	4P	5.7	3505	251.15	31	1.15			6.2	3210	229.95			32	1.25	7.0			2836	203.16	33			1.40	8.3	2405							172.34	34	1.65	9.0	2230	158.68	34	1.80	10	1980	141.83	35	2.00	11	1782	127.68	35	2.30	12	1614	115.63	35	2.50	14	1431	102.53	35	2.80	15	1294	92.70	35	3.10	6.6	3019	216.28	6.7	0.95	GR99 GRF99	4P	7.7	2600	186.30	21	1.10			8.4	2373	170.02			23	1.20	9.5			2105	150.78	24			1.35			11			1769			126.75	25	1.60	12	1626	116.48	26	1.75	14	1444	103.44	26	1.95	15	1291	92.48	26	2.20	17	1161	83.15	27	2.40	20	1007	72.17	27	2.80	22	910	65.21	26	3.10	24	836	59.92	26	3.40	27	743	53.21	25	3.80	30	664	47.58	24	4.20	11	1752	125.51	10	0.85	GR89 GRF89	4P	12	1660	118.94	14	0.90			14	1453	104.10			16	1.00	15			1309	93.78			17					1.10	17	1148			82.27	18	1.25	20	1017	72.88	19	1.45	22	893	63.96	19	1.65	24	846	60.61	19	1.70	27	740	53.05	19	1.95	30	667	47.79	19	2.20	34	585	41.92	19	2.50	39	516	37.00	18	2.80	44	458	32.80	18	3.20	41	482	34.55	18	2.90	GR89 GRF89	4P	45	440	31.53	17	3.30			51	390	27.96			17	3.70	61	328	23.51			16	4.40	66	301	21.60			16	4.70																																								
1.3	14970	1129	128	2.4			1.3	14135	1066	128	2.6	1.5	12716	959	128	2.9	6.1	3103	234	11	0.95	GR99R59 GRF99R59	4P	6.8	2771			209	21	1.05	GR99R59 GRF99R59	4P			3.2	6258	222.60			53	1.20	GR139 GRF139	8P	3.8	5298	188.45	55	1.40			4.1	4903	174.40	55	1.55			4.5	4394	156.31			56	1.70	5.0			3967	141.12	57			1.90	5.5	3603			128.18	57	2.10			6.2	3197	113.72			57	2.30	6.9	2901	103.20	57	2.60	4.6	4314	203.16	27	0.95	GR109 GRF109	6P	5.5	3659	172.34			30	1.10	5.9			3369	158.68	31	1.20	6.6	3012	141.83	33	1.35	GR109 GRF109	4P	5.7	3505	251.15			31	1.15	6.2	3210	229.95			32	1.25	7.0			2836	203.16	33			1.40	8.3	2405			172.34	34	1.65							9.0	2230	158.68	34	1.80	10	1980	141.83	35	2.00	11	1782	127.68	35	2.30	12	1614	115.63	35	2.50	14	1431	102.53	35	2.80	15	1294	92.70	35	3.10	6.6	3019	216.28	6.7	0.95	GR99 GRF99	4P	7.7			2600	186.30	21	1.10	8.4			2373	170.02	23			1.20	9.5	2105			150.78	24	1.35			11			1769			126.75			25	1.60	12	1626	116.48	26	1.75	14	1444	103.44	26	1.95	15	1291	92.48	26	2.20	17	1161	83.15	27	2.40	20	1007	72.17	27	2.80	22	910	65.21	26	3.10	24	836	59.92	26	3.40	27	743	53.21	25	3.80	30	664	47.58	24	4.20	11	1752	125.51	10	0.85	GR89 GRF89			4P	12	1660	118.94	14			0.90	14	1453			104.10	16	1.00			15	1309			93.78					17	1.10	17			1148	82.27	18	1.25	20	1017	72.88	19	1.45	22	893	63.96	19	1.65	24	846	60.61	19	1.70	27	740	53.05	19	1.95	30	667	47.79	19	2.20	34	585	41.92	19	2.50	39	516	37.00	18	2.80	44	458	32.80	18	3.20	41	482	34.55	18			2.90	GR89 GRF89	4P	45	440			31.53	17	3.30			51	390	27.96	17	3.70			61	328	23.51	16	4.40			66	301	21.60	16	4.70																																					
1.3	14135	1066	128	2.6			1.5	12716	959	128	2.9	6.1	3103	234	11	0.95	GR99R59 GRF99R59	4P	6.8	2771	209	21	1.05	GR99R59 GRF99R59	4P			3.2	6258	222.60	53	1.20			GR139 GRF139	8P	3.8	5298	188.45	55	1.40			4.1	4903	174.40	55	1.55			4.5	4394	156.31	56	1.70			5.0	3967	141.12			57	1.90	5.5			3603	128.18	57			2.10	6.2	3197			113.72	57	2.30			6.9	2901	103.20			57	2.60	4.6	4314	203.16	27	0.95	GR109 GRF109	6P	5.5	3659	172.34			30	1.10	5.9			3369	158.68	31	1.20	6.6	3012	141.83	33	1.35	GR109 GRF109	4P	5.7	3505	251.15			31	1.15	6.2			3210	229.95	32	1.25	7.0			2836	203.16	33			1.40	8.3	2405			172.34	34	1.65			9.0	2230	158.68							34	1.80	10	1980	141.83	35	2.00	11	1782	127.68	35	2.30	12	1614	115.63	35	2.50	14	1431	102.53	35	2.80	15	1294	92.70	35	3.10	6.6	3019	216.28	6.7	0.95	GR99 GRF99	4P	7.7			2600			186.30	21	1.10	8.4	2373			170.02	23	1.20			9.5	2105	150.78			24	1.35	11			1769			126.75			25			1.60	12	1626	116.48	26	1.75	14	1444	103.44	26	1.95	15	1291	92.48	26	2.20	17	1161	83.15	27	2.40	20	1007	72.17	27	2.80	22	910	65.21	26	3.10	24	836	59.92	26	3.40	27	743	53.21	25	3.80	30	664	47.58	24	4.20	11	1752	125.51	10	0.85	GR89 GRF89					4P	12	1660	118.94			14	0.90	14			1453	104.10	16			1.00	15			1309					93.78	17	1.10			17	1148	82.27	18	1.25	20	1017	72.88	19	1.45	22	893	63.96	19	1.65	24	846	60.61	19	1.70	27	740	53.05	19	1.95	30	667	47.79	19	2.20	34	585	41.92	19	2.50	39	516	37.00	18	2.80	44	458	32.80	18	3.20	41	482	34.55			18			2.90	GR89 GRF89			4P	45	440			31.53	17	3.30	51	390			27.96	17	3.70	61	328	23.51	16	4.40	66	301	21.60	16	4.70																																				
1.5	12716	959	128	2.9			6.1	3103	234	11	0.95	GR99R59 GRF99R59	4P	6.8	2771	209	21	1.05	GR99R59 GRF99R59	4P	3.2	6258	222.60	53	1.20			GR139 GRF139	8P	3.8	5298	188.45	55	1.40			4.1	4903	174.40	55	1.55			4.5	4394	156.31	56	1.70			5.0	3967	141.12	57	1.90			5.5	3603	128.18			57	2.10	6.2			3197	113.72	57			2.30	6.9	2901			103.20	57	2.60			4.6	4314	203.16	27	0.95	GR109 GRF109	6P	5.5	3659	172.34	30	1.10			5.9	3369	158.68			31	1.20	6.6	3012	141.83	33	1.35	GR109 GRF109	4P	5.7	3505	251.15	31	1.15			6.2	3210	229.95			32	1.25	7.0			2836	203.16	33	1.40	8.3			2405	172.34	34			1.65	9.0	2230			158.68	34	1.80			10	1980	141.83			35	2.00			11	1782	127.68	35	2.30	12	1614	115.63	35	2.50	14	1431	102.53	35	2.80	15	1294	92.70	35	3.10	6.6	3019	216.28	6.7	0.95	GR99 GRF99	4P	7.7	2600	186.30	21	1.10			8.4			2373			170.02	23	1.20	9.5	2105			150.78	24	1.35			11	1769	126.75			25	1.60	12			1626	116.48	26	1.75			14			1444	103.44	26	1.95	15	1291	92.48	26	2.20	17	1161	83.15	27	2.40	20	1007	72.17	27	2.80	22	910	65.21	26	3.10	24	836	59.92	26	3.40	27	743	53.21	25	3.80	30	664	47.58	24	4.20	11	1752	125.51	10	0.85	GR89 GRF89	4P	12	1660	118.94	14	0.90							14	1453	104.10			16	1.00	15			1309	93.78	17			1.10	17	1148	82.27	18					1.25	20	1017			72.88	19	1.45	22	893	63.96	19	1.65	24	846	60.61	19	1.70	27	740	53.05	19	1.95	30	667	47.79	19	2.20	34	585	41.92	19	2.50	39	516	37.00	18	2.80	44	458	32.80	18	3.20	41	482	34.55	18	2.90	GR89 GRF89	4P	45	440	31.53			17			3.30					51	390			27.96	17	3.70	61	328	23.51	16	4.40	66	301	21.60	16	4.70																																											
6.1	3103	234	11	0.95			GR99R59 GRF99R59	4P																																																																																																																																																																																																																																																																																																																																																																																																																																									
6.8	2771	209	21	1.05			GR99R59 GRF99R59	4P																																																																																																																																																																																																																																																																																																																																																																																																																																									
3.2	6258	222.60	53	1.20	GR139 GRF139	8P	3.8	5298	188.45	55	1.40	4.1	4903	174.40	55	1.55	4.5	4394	156.31	56	1.70	5.0	3967	141.12	57	1.90	5.5			3603	128.18	57	2.10	6.2			3197	113.72	57	2.30	6.9			2901	103.20	57	2.60	4.6			4314	203.16	27	0.95	GR109 GRF109			6P	5.5	3659			172.34	30	1.10			5.9	3369	158.68	31	1.20	6.6	3012	141.83	33	1.35	GR109 GRF109	4P	5.7	3505	251.15	31	1.15	6.2	3210	229.95	32	1.25	7.0	2836	203.16	33	1.40	8.3	2405	172.34	34	1.65	9.0	2230	158.68	34	1.80	10	1980	141.83	35			2.00	11	1782	127.68	35			2.30	12	1614			115.63	35	2.50			14	1431	102.53	35	2.80			15	1294	92.70			35	3.10	6.6			3019	216.28	6.7	0.95	GR99 GRF99	4P	7.7	2600	186.30	21	1.10	8.4	2373	170.02	23	1.20	9.5	2105	150.78	24	1.35	11	1769	126.75	25	1.60	12	1626	116.48	26	1.75	14	1444	103.44	26	1.95	15	1291	92.48			26	2.20	17	1161	83.15			27			2.40			20	1007	72.17	27	2.80			22	910	65.21			26	3.10	24			836	59.92	26	3.40	27	743	53.21	25	3.80	30	664	47.58	24	4.20	11	1752	125.51	10	0.85	GR89 GRF89	4P	12	1660	118.94	14	0.90	14	1453	104.10	16	1.00	15	1309	93.78	17	1.10	17	1148	82.27	18	1.25	20	1017	72.88	19	1.45	22	893	63.96	19	1.65	24	846	60.61	19	1.70	27	740			53.05	19	1.95	30	667							47.79	19	2.20			34	585	41.92			19	2.50	39			516	37.00	18	2.80	44	458	32.80	18	3.20	41	482	34.55	18	2.90	GR89 GRF89	4P	45	440	31.53	17	3.30	51	390	27.96	17	3.70	61	328	23.51	16	4.40	66	301	21.60	16	4.70																																																																																																
3.8	5298	188.45	55	1.40			4.1	4903	174.40	55	1.55	4.5	4394	156.31	56	1.70	5.0	3967	141.12	57	1.90	5.5	3603	128.18	57	2.10	6.2			3197	113.72	57	2.30	6.9			2901	103.20	57	2.60	4.6			4314	203.16	27	0.95	GR109 GRF109			6P	5.5	3659	172.34					30	1.10			5.9	3369	158.68	31	1.20	6.6	3012	141.83	33	1.35	GR109 GRF109	4P	5.7	3505	251.15			31	1.15	6.2	3210	229.95	32	1.25	7.0	2836	203.16	33	1.40	8.3	2405	172.34	34	1.65	9.0	2230	158.68	34	1.80	10	1980	141.83	35	2.00	11	1782			127.68	35	2.30	12	1614			115.63	35	2.50			14	1431	102.53			35	2.80	15	1294	92.70			35	3.10	6.6			3019	216.28	6.7	0.95	GR99 GRF99	4P	7.7	2600	186.30			21	1.10	8.4	2373	170.02	23	1.20	9.5	2105	150.78	24	1.35	11	1769	126.75	25	1.60	12	1626	116.48	26	1.75	14	1444	103.44	26	1.95	15	1291	92.48	26	2.20	17			1161	83.15	27	2.40	20			1007			72.17			27	2.80	22	910	65.21			26	3.10	24			836	59.92	26	3.40	27	743	53.21	25	3.80	30	664	47.58	24	4.20	11	1752	125.51	10	0.85	GR89 GRF89	4P	12	1660	118.94			14	0.90	14	1453	104.10	16	1.00	15	1309	93.78	17	1.10	17	1148	82.27	18	1.25	20	1017	72.88	19	1.45	22	893	63.96	19	1.65	24	846	60.61	19	1.70	27	740	53.05	19	1.95			30	667	47.79	19	2.20							34	585	41.92			19	2.50	39			516	37.00	18	2.80	44	458	32.80	18	3.20	41	482	34.55	18	2.90	GR89 GRF89	4P	45	440	31.53			17	3.30	51	390	27.96	17	3.70	61	328	23.51	16	4.40	66	301	21.60	16	4.70																																																																																																			
4.1	4903	174.40	55	1.55			4.5	4394	156.31	56	1.70	5.0	3967	141.12	57	1.90	5.5	3603	128.18	57	2.10	6.2	3197	113.72	57	2.30	6.9			2901	103.20	57	2.60	4.6			4314	203.16	27	0.95	GR109 GRF109			6P	5.5	3659	172.34					30	1.10	5.9					3369	158.68	31	1.20	6.6	3012	141.83	33	1.35	GR109 GRF109	4P	5.7	3505	251.15			31	1.15	6.2			3210	229.95	32	1.25	7.0	2836	203.16	33	1.40	8.3	2405	172.34	34	1.65	9.0	2230	158.68	34	1.80	10	1980	141.83	35	2.00	11	1782	127.68	35	2.30			12	1614	115.63	35	2.50			14	1431	102.53			35	2.80	15			1294	92.70	35	3.10	6.6			3019	216.28	6.7	0.95	GR99 GRF99	4P	7.7	2600	186.30			21	1.10	8.4			2373	170.02	23	1.20	9.5	2105	150.78	24	1.35	11	1769	126.75	25	1.60	12	1626	116.48	26	1.75	14	1444	103.44	26	1.95	15	1291	92.48	26	2.20	17	1161	83.15	27			2.40	20	1007	72.17	27			2.80			22			910	65.21	26	3.10	24			836	59.92	26	3.40	27	743	53.21	25	3.80	30	664	47.58	24	4.20	11	1752	125.51	10	0.85	GR89 GRF89	4P	12	1660	118.94			14	0.90	14			1453	104.10	16	1.00	15	1309	93.78	17	1.10	17	1148	82.27	18	1.25	20	1017	72.88	19	1.45	22	893	63.96	19	1.65	24	846	60.61	19	1.70	27	740	53.05	19	1.95	30	667	47.79			19	2.20	34	585	41.92							19	2.50	39			516	37.00	18	2.80	44	458	32.80	18	3.20	41	482	34.55	18	2.90	GR89 GRF89	4P	45	440	31.53			17	3.30	51			390	27.96	17	3.70	61	328	23.51	16	4.40	66	301	21.60	16	4.70																																																																																																						
4.5	4394	156.31	56	1.70			5.0	3967	141.12	57	1.90	5.5	3603	128.18	57	2.10	6.2	3197	113.72	57	2.30	6.9	2901	103.20	57	2.60	4.6			4314	203.16	27	0.95	GR109 GRF109			6P	5.5	3659	172.34					30	1.10	5.9					3369	158.68	31	1.20	6.6	3012	141.83	33	1.35	GR109 GRF109	4P	5.7	3505	251.15	31	1.15			6.2	3210	229.95			32	1.25	7.0			2836	203.16	33	1.40	8.3	2405	172.34	34	1.65	9.0	2230	158.68	34	1.80	10	1980	141.83	35	2.00	11	1782	127.68	35	2.30	12	1614	115.63	35	2.50			14	1431	102.53	35	2.80			15	1294	92.70			35	3.10	6.6			3019	216.28	6.7	0.95	GR99 GRF99	4P	7.7	2600	186.30	21	1.10			8.4	2373	170.02			23	1.20	9.5			2105	150.78	24	1.35	11	1769	126.75	25	1.60	12	1626	116.48	26	1.75	14	1444	103.44	26	1.95	15	1291	92.48	26	2.20	17	1161	83.15	27	2.40	20	1007	72.17	27			2.80	22	910	65.21	26			3.10			24			836	59.92	26	3.40	27	743	53.21	25	3.80	30	664	47.58	24	4.20	11	1752	125.51	10	0.85	GR89 GRF89	4P	12	1660	118.94	14	0.90			14	1453	104.10			16	1.00	15			1309	93.78	17	1.10	17	1148	82.27	18	1.25	20	1017	72.88	19	1.45	22	893	63.96	19	1.65	24	846	60.61	19	1.70	27	740	53.05	19	1.95	30	667	47.79	19	2.20	34	585	41.92			19	2.50	39	516	37.00							18	2.80	44	458	32.80	18	3.20	41	482	34.55	18	2.90	GR89 GRF89	4P	45	440	31.53	17	3.30			51	390	27.96			17	3.70	61			328	23.51	16	4.40	66	301	21.60	16	4.70																																																																																																											
5.0	3967	141.12	57	1.90			5.5	3603	128.18	57	2.10	6.2	3197	113.72	57	2.30	6.9	2901	103.20	57	2.60	4.6	4314	203.16	27	0.95	GR109 GRF109			6P	5.5	3659	172.34					30	1.10	5.9					3369	158.68	31	1.20	6.6	3012	141.83	33	1.35	GR109 GRF109	4P	5.7	3505	251.15	31	1.15			6.2	3210	229.95	32	1.25			7.0	2836	203.16			33	1.40	8.3			2405	172.34	34	1.65	9.0	2230	158.68	34	1.80	10	1980	141.83	35	2.00	11	1782	127.68	35	2.30	12	1614	115.63	35	2.50	14	1431	102.53	35	2.80			15	1294	92.70	35	3.10			6.6	3019	216.28			6.7	0.95	GR99 GRF99	4P	7.7	2600	186.30	21	1.10			8.4	2373	170.02	23	1.20			9.5	2105	150.78			24	1.35	11			1769	126.75	25	1.60	12	1626	116.48	26	1.75	14	1444	103.44	26	1.95	15	1291	92.48	26	2.20	17	1161	83.15	27	2.40	20	1007	72.17	27	2.80	22	910	65.21	26			3.10	24	836	59.92	26			3.40			27	743	53.21	25	3.80	30	664	47.58	24	4.20	11	1752	125.51	10	0.85	GR89 GRF89	4P	12	1660	118.94	14	0.90			14	1453	104.10	16	1.00			15	1309	93.78			17	1.10	17			1148	82.27	18	1.25	20	1017	72.88	19	1.45	22	893	63.96	19	1.65	24	846	60.61	19	1.70	27	740	53.05	19	1.95	30	667	47.79	19	2.20	34	585	41.92	19	2.50	39	516	37.00			18	2.80	44	458	32.80			18	3.20			41	482	34.55	18	2.90	GR89 GRF89	4P	45	440	31.53	17	3.30			51	390	27.96	17	3.70			61	328	23.51			16	4.40	66			301	21.60	16	4.70																																																																																																																
5.5	3603	128.18	57	2.10			6.2	3197	113.72	57	2.30	6.9	2901	103.20	57	2.60	4.6	4314	203.16	27	0.95	GR109 GRF109	6P	5.5	3659	172.34					30	1.10	5.9					3369	158.68	31	1.20	6.6	3012	141.83	33	1.35	GR109 GRF109	4P	5.7	3505	251.15	31	1.15			6.2	3210	229.95	32	1.25			7.0	2836	203.16	33	1.40			8.3	2405	172.34			34	1.65	9.0			2230	158.68	34	1.80	10	1980	141.83	35	2.00	11	1782	127.68	35	2.30	12	1614	115.63	35	2.50	14	1431	102.53	35	2.80	15	1294	92.70	35	3.10			6.6	3019	216.28	6.7	0.95			GR99 GRF99	4P	7.7	2600	186.30	21	1.10			8.4	2373	170.02	23	1.20			9.5	2105	150.78	24	1.35			11	1769	126.75			25	1.60	12			1626	116.48	26	1.75	14	1444	103.44	26	1.95	15	1291	92.48	26	2.20	17	1161	83.15	27	2.40	20	1007	72.17	27	2.80	22	910	65.21	26	3.10	24	836	59.92	26			3.40	27	743	53.21	25			3.80	30	664	47.58	24	4.20	11	1752	125.51	10	0.85	GR89 GRF89	4P	12	1660	118.94	14	0.90			14	1453	104.10	16	1.00			15	1309	93.78	17	1.10			17	1148	82.27			18	1.25	20			1017	72.88	19	1.45	22	893	63.96	19	1.65	24	846	60.61	19	1.70	27	740	53.05	19	1.95	30	667	47.79	19	2.20	34	585	41.92	19	2.50	39	516	37.00	18	2.80	44	458	32.80			18	3.20	41	482	34.55		18	2.90	GR89 GRF89	4P		45	440	31.53	17	3.30			51	390	27.96	17	3.70			61	328	23.51	16	4.40			66	301	21.60			16	4.70																																																																																																																							
6.2	3197	113.72	57	2.30			6.9	2901	103.20	57	2.60	4.6	4314	203.16	27	0.95	GR109 GRF109	6P	5.5	3659	172.34			30	1.10	5.9					3369	158.68	31	1.20	6.6	3012	141.83	33	1.35	GR109 GRF109	4P	5.7	3505	251.15	31	1.15			6.2	3210	229.95	32	1.25			7.0	2836	203.16	33	1.40			8.3	2405	172.34	34	1.65			9.0	2230	158.68			34	1.80	10			1980	141.83	35	2.00	11	1782	127.68	35	2.30	12	1614	115.63	35	2.50	14	1431	102.53	35	2.80	15	1294	92.70	35	3.10	6.6	3019	216.28	6.7	0.95			GR99 GRF99	4P	7.7	2600	186.30	21	1.10			8.4	2373	170.02	23	1.20			9.5	2105	150.78	24	1.35			11	1769	126.75	25	1.60			12	1626	116.48			26	1.75	14			1444	103.44	26	1.95	15	1291	92.48	26	2.20	17	1161	83.15	27	2.40	20	1007	72.17	27	2.80	22	910	65.21	26	3.10	24	836	59.92	26	3.40	27	743	53.21	25			3.80	30	664	47.58	24	4.20	11	1752	125.51	10	0.85	GR89 GRF89	4P	12	1660	118.94	14	0.90			14	1453	104.10	16	1.00			15	1309	93.78	17	1.10			17	1148	82.27	18	1.25			20	1017	72.88			19	1.45	22			893	63.96	19	1.65	24	846	60.61	19	1.70	27	740	53.05	19	1.95	30	667	47.79	19	2.20	34	585	41.92	19	2.50	39	516	37.00	18	2.80	44	458	32.80	18	3.20	41	482	34.55			18	2.90	GR89 GRF89	4P	45	440	31.53	17			3.30	51	390	27.96	17	3.70			61	328	23.51	16	4.40			66	301	21.60	16	4.70																																																																																																																																
6.9	2901	103.20	57	2.60			4.6	4314	203.16	27	0.95	GR109 GRF109	6P	5.5	3659	172.34			30	1.10	5.9			3369	158.68	31	1.20	6.6	3012	141.83	33	1.35	GR109 GRF109	4P	5.7	3505	251.15	31	1.15			6.2	3210	229.95	32	1.25			7.0	2836	203.16	33	1.40			8.3	2405	172.34	34	1.65			9.0	2230	158.68	34	1.80			10	1980	141.83			35	2.00	11			1782	127.68	35	2.30	12	1614	115.63	35	2.50	14	1431	102.53	35	2.80	15	1294	92.70	35	3.10	6.6	3019	216.28	6.7	0.95	GR99 GRF99	4P	7.7	2600	186.30	21	1.10			8.4	2373	170.02	23	1.20			9.5	2105	150.78	24	1.35			11	1769	126.75	25	1.60			12	1626	116.48	26	1.75			14	1444	103.44			26	1.95	15			1291	92.48	26	2.20	17	1161	83.15	27	2.40	20	1007	72.17	27	2.80	22	910	65.21	26	3.10	24	836	59.92	26	3.40	27	743	53.21	25	3.80	30	664	47.58	24	4.20	11	1752	125.51	10	0.85	GR89 GRF89	4P	12	1660	118.94	14	0.90			14	1453	104.10	16	1.00			15	1309	93.78	17	1.10			17	1148	82.27	18	1.25			20	1017	72.88	19	1.45			22	893	63.96			19	1.65	24			846	60.61	19	1.70	27	740	53.05	19	1.95	30	667	47.79	19	2.20	34	585	41.92	19	2.50	39	516	37.00	18	2.80	44	458	32.80	18	3.20	41	482	34.55	18	2.90	GR89 GRF89	4P	45	440	31.53	17	3.30			51	390	27.96	17			3.70	61	328	23.51	16	4.40			66	301	21.60	16	4.70																																																																																																																																							
4.6	4314	203.16	27	0.95			GR109 GRF109	6P	5.5	3659	172.34			30	1.10	5.9			3369	158.68	31	1.20	6.6	3012	141.83	33	1.35	GR109 GRF109	4P	5.7	3505	251.15			31	1.15	6.2	3210	229.95			32	1.25	7.0	2836	203.16			33	1.40	8.3	2405	172.34			34	1.65	9.0	2230	158.68			34	1.80	10	1980	141.83			35	2.00	11			1782	127.68	35			2.30	12	1614	115.63	35	2.50	14	1431	102.53	35	2.80	15	1294	92.70	35	3.10	6.6	3019	216.28	6.7	0.95	GR99 GRF99	4P	7.7			2600	186.30	21	1.10	8.4			2373	170.02	23	1.20	9.5			2105	150.78	24	1.35	11			1769	126.75	25	1.60	12			1626	116.48	26	1.75	14			1444	103.44	26			1.95	15	1291			92.48	26	2.20	17	1161	83.15	27	2.40	20	1007	72.17	27	2.80	22	910	65.21	26	3.10	24	836	59.92	26	3.40	27	743	53.21	25	3.80	30	664	47.58	24	4.20	11	1752	125.51	10	0.85	GR89 GRF89			4P	12	1660	118.94	14			0.90	14	1453	104.10	16			1.00	15	1309	93.78	17			1.10	17	1148	82.27	18			1.25	20	1017	72.88	19			1.45	22	893			63.96	19	1.65			24	846	60.61	19	1.70	27	740	53.05	19	1.95	30	667	47.79	19	2.20	34	585	41.92	19	2.50	39	516	37.00	18	2.80	44	458	32.80	18	3.20	41	482	34.55	18			2.90	GR89 GRF89	4P	45	440			31.53	17	3.30	51			390	27.96	17	3.70	61	328			23.51	16	4.40	66	301			21.60	16	4.70																																																																																																																																		
5.5	3659	172.34	30	1.10					5.9	3369	158.68			31	1.20	6.6	3012	141.83	33	1.35	GR109 GRF109	4P	5.7	3505	251.15	31	1.15			6.2	3210	229.95			32	1.25	7.0	2836	203.16			33	1.40	8.3	2405	172.34			34	1.65	9.0	2230	158.68			34	1.80	10	1980	141.83			35	2.00	11	1782	127.68			35	2.30	12			1614	115.63	35			2.50	14	1431	102.53	35	2.80	15	1294	92.70	35	3.10	6.6	3019	216.28	6.7	0.95	GR99 GRF99	4P	7.7	2600	186.30			21			1.10	8.4	2373	170.02	23			1.20	9.5	2105	150.78	24			1.35	11	1769	126.75	25			1.60	12	1626	116.48	26			1.75	14	1444	103.44	26			1.95	15	1291			92.48	26	2.20			17	1161	83.15	27	2.40	20	1007	72.17	27	2.80	22	910	65.21	26	3.10	24	836	59.92	26	3.40	27	743	53.21	25	3.80	30	664	47.58	24	4.20	11	1752	125.51	10	0.85	GR89 GRF89	4P	12					1660	118.94	14	0.90			14	1453	104.10	16	1.00			15	1309	93.78	17	1.10			17	1148	82.27	18	1.25			20	1017	72.88	19	1.45			22	893	63.96			19	1.65	24			846	60.61	19	1.70	27	740	53.05	19	1.95	30	667	47.79	19	2.20	34	585	41.92	19	2.50	39	516	37.00	18	2.80	44	458	32.80	18	3.20	41	482	34.55	18	2.90			GR89 GRF89			4P	45			440	31.53	17	3.30			51	390	27.96	17	3.70	61			328	23.51	16	4.40	66	301	21.60	16	4.70																																																																																																																																			
5.9	3369	158.68	31	1.20	6.6	3012			141.83	33	1.35	GR109 GRF109	4P	5.7	3505	251.15	31	1.15	6.2	3210			229.95	32	1.25	7.0	2836			203.16	33	1.40			8.3	2405	172.34	34	1.65			9.0	2230	158.68	34	1.80			10	1980	141.83	35	2.00			11	1782	127.68	35	2.30			12	1614	115.63	35	2.50			14	1431	102.53			35	2.80	15	1294	92.70	35	3.10	6.6	3019	216.28	6.7	0.95	GR99 GRF99	4P	7.7	2600	186.30	21	1.10	8.4	2373			170.02	23	1.20			9.5			2105	150.78	24	1.35	11			1769	126.75	25	1.60	12			1626	116.48	26	1.75	14			1444	103.44	26	1.95	15			1291	92.48	26	2.20	17			1161	83.15	27			2.40	20	1007	72.17	27	2.80	22	910	65.21	26	3.10	24	836	59.92	26	3.40	27	743	53.21	25	3.80	30	664	47.58	24	4.20	11	1752	125.51	10	0.85	GR89 GRF89	4P	12	1660	118.94	14	0.90	14	1453			104.10					16	1.00	15	1309			93.78	17	1.10	17	1148			82.27	18	1.25	20	1017			72.88	19	1.45	22	893			63.96	19	1.65	24	846			60.61	19	1.70			27	740	53.05	19	1.95	30	667	47.79	19	2.20	34	585	41.92	19	2.50	39	516	37.00	18	2.80	44	458	32.80	18	3.20	41	482	34.55	18	2.90	GR89 GRF89	4P	45	440	31.53	17	3.30	51	390							27.96			17	3.70	61	328			23.51	16	4.40	66	301	21.60	16	4.70																																																																																																																																												
6.6	3012	141.83	33	1.35	GR109 GRF109	4P	5.7	3505	251.15	31	1.15			6.2	3210	229.95	32	1.25	7.0	2836			203.16	33	1.40	8.3	2405			172.34	34	1.65			9.0	2230	158.68	34	1.80			10	1980	141.83	35	2.00			11	1782	127.68	35	2.30			12	1614	115.63	35	2.50			14	1431	102.53	35	2.80			15	1294	92.70	35	3.10	6.6	3019	216.28	6.7	0.95	GR99 GRF99	4P	7.7	2600	186.30	21	1.10			8.4	2373	170.02	23	1.20	9.5	2105			150.78	24	1.35			11			1769	126.75	25	1.60	12			1626	116.48	26	1.75	14			1444	103.44	26	1.95	15			1291	92.48	26	2.20	17			1161	83.15	27	2.40	20			1007	72.17	27	2.80	22	910	65.21	26	3.10	24	836	59.92	26	3.40	27	743	53.21	25	3.80	30	664	47.58	24	4.20	11	1752	125.51	10	0.85	GR89 GRF89	4P	12	1660	118.94	14	0.90			14	1453	104.10	16	1.00	15	1309			93.78					17	1.10	17	1148			82.27	18	1.25	20	1017			72.88	19	1.45	22	893			63.96	19	1.65	24	846			60.61	19	1.70	27	740			53.05	19	1.95	30	667	47.79	19	2.20	34	585	41.92	19	2.50	39	516	37.00	18	2.80	44	458	32.80	18	3.20	41	482	34.55	18	2.90	GR89 GRF89	4P	45	440	31.53	17	3.30			51	390	27.96	17	3.70	61	328							23.51			16	4.40	66	301	21.60	16	4.70																																																																																																																																																			
5.7	3505	251.15	31	1.15			6.2	3210	229.95	32	1.25			7.0	2836	203.16	33	1.40	8.3	2405			172.34	34	1.65	9.0	2230			158.68	34	1.80			10	1980	141.83	35	2.00			11	1782	127.68	35	2.30			12	1614	115.63	35	2.50			14	1431	102.53	35	2.80			15	1294	92.70	35	3.10	6.6	3019	216.28	6.7	0.95	GR99 GRF99	4P	7.7	2600	186.30	21	1.10			8.4	2373	170.02	23	1.20			9.5	2105	150.78	24	1.35	11	1769			126.75	25	1.60			12			1626	116.48	26	1.75	14			1444	103.44	26	1.95	15			1291	92.48	26	2.20	17			1161	83.15	27	2.40	20			1007	72.17	27	2.80	22	910	65.21	26	3.10	24	836	59.92	26	3.40	27	743	53.21	25	3.80	30	664	47.58	24	4.20	11	1752	125.51	10	0.85	GR89 GRF89	4P	12	1660	118.94	14	0.90			14	1453	104.10	16	1.00			15	1309	93.78	17	1.10	17	1148			82.27					18	1.25	20	1017			72.88	19	1.45	22	893			63.96	19	1.65	24	846			60.61	19	1.70	27	740			53.05	19	1.95	30	667	47.79	19	2.20	34	585	41.92	19	2.50	39	516	37.00	18	2.80	44	458	32.80	18	3.20	41	482	34.55	18	2.90	GR89 GRF89	4P	45	440	31.53	17	3.30			51	390	27.96	17	3.70			61	328	23.51	16	4.40	66	301							21.60	16	4.70																																																																																																																																																										
6.2	3210	229.95	32	1.25			7.0	2836	203.16	33	1.40			8.3	2405	172.34	34	1.65	9.0	2230			158.68	34	1.80	10	1980			141.83	35	2.00			11	1782	127.68	35	2.30			12	1614	115.63	35	2.50			14	1431	102.53	35	2.80			15	1294	92.70	35	3.10	6.6	3019	216.28	6.7	0.95	GR99 GRF99	4P	7.7	2600	186.30	21	1.10			8.4	2373	170.02	23	1.20			9.5	2105	150.78	24	1.35			11	1769	126.75	25	1.60	12	1626			116.48	26	1.75			14			1444	103.44	26	1.95	15			1291	92.48	26	2.20	17			1161	83.15	27	2.40	20			1007	72.17	27	2.80	22	910	65.21	26	3.10	24	836	59.92	26	3.40	27	743	53.21	25	3.80	30	664	47.58	24	4.20	11	1752	125.51	10	0.85	GR89 GRF89	4P	12	1660	118.94	14	0.90			14	1453	104.10	16	1.00			15	1309	93.78	17	1.10			17	1148	82.27	18	1.25	20	1017			72.88					19	1.45	22	893			63.96	19	1.65	24	846			60.61	19	1.70	27	740			53.05	19	1.95	30	667	47.79	19	2.20	34	585	41.92	19	2.50	39	516	37.00	18	2.80	44	458	32.80	18	3.20	41	482	34.55	18	2.90	GR89 GRF89	4P	45	440	31.53	17	3.30			51	390	27.96	17	3.70			61	328	23.51	16	4.40			66	301	21.60	16	4.70																																																																																																																																																																					
7.0	2836	203.16	33	1.40			8.3	2405	172.34	34	1.65			9.0	2230	158.68	34	1.80	10	1980			141.83	35	2.00	11	1782			127.68	35	2.30			12	1614	115.63	35	2.50			14	1431	102.53	35	2.80			15	1294	92.70	35	3.10	6.6	3019	216.28	6.7	0.95	GR99 GRF99	4P	7.7	2600	186.30	21	1.10			8.4	2373	170.02	23	1.20			9.5	2105	150.78	24	1.35			11	1769	126.75	25	1.60			12	1626	116.48	26	1.75	14	1444			103.44	26	1.95			15			1291	92.48	26	2.20	17			1161	83.15	27	2.40	20			1007	72.17	27	2.80	22	910	65.21	26	3.10	24	836	59.92	26	3.40	27	743	53.21	25	3.80	30	664	47.58	24	4.20	11	1752	125.51	10	0.85	GR89 GRF89	4P	12	1660	118.94	14	0.90			14	1453	104.10	16	1.00			15	1309	93.78	17	1.10			17	1148	82.27	18	1.25			20	1017	72.88	19	1.45	22	893			63.96					19	1.65	24	846			60.61	19	1.70	27	740			53.05	19	1.95	30	667	47.79	19	2.20	34	585	41.92	19	2.50	39	516	37.00	18	2.80	44	458	32.80	18	3.20	41	482	34.55	18	2.90	GR89 GRF89	4P	45	440	31.53	17	3.30			51	390	27.96	17	3.70			61	328	23.51	16	4.40			66	301	21.60	16	4.70																																																																																																																																																																												
8.3	2405	172.34	34	1.65			9.0	2230	158.68	34	1.80			10	1980	141.83	35	2.00	11	1782			127.68	35	2.30	12	1614			115.63	35	2.50			14	1431	102.53	35	2.80			15	1294	92.70	35	3.10	6.6	3019	216.28	6.7	0.95	GR99 GRF99	4P	7.7	2600	186.30	21	1.10			8.4	2373	170.02	23	1.20			9.5	2105	150.78	24	1.35			11	1769	126.75	25	1.60			12	1626	116.48	26	1.75			14	1444	103.44	26	1.95	15	1291			92.48	26	2.20			17			1161	83.15	27	2.40	20			1007	72.17	27	2.80	22	910	65.21	26	3.10	24	836	59.92	26	3.40	27	743	53.21	25	3.80	30	664	47.58	24	4.20	11	1752	125.51	10	0.85	GR89 GRF89	4P	12	1660	118.94	14	0.90			14	1453	104.10	16	1.00			15	1309	93.78	17	1.10			17	1148	82.27	18	1.25			20	1017	72.88	19	1.45			22	893	63.96	19	1.65	24	846			60.61					19	1.70	27	740			53.05	19	1.95	30	667	47.79	19	2.20	34	585	41.92	19	2.50	39	516	37.00	18	2.80	44	458	32.80	18	3.20	41	482	34.55	18	2.90	GR89 GRF89	4P	45	440	31.53	17	3.30			51	390	27.96	17	3.70			61	328	23.51	16	4.40			66	301	21.60	16	4.70																																																																																																																																																																																			
9.0	2230	158.68	34	1.80			10	1980	141.83	35	2.00			11	1782	127.68	35	2.30	12	1614			115.63	35	2.50	14	1431			102.53	35	2.80			15	1294	92.70	35	3.10	6.6	3019	216.28	6.7	0.95	GR99 GRF99	4P	7.7	2600	186.30	21	1.10			8.4	2373	170.02	23	1.20			9.5	2105	150.78	24	1.35			11	1769	126.75	25	1.60			12	1626	116.48	26	1.75			14	1444	103.44	26	1.95			15	1291	92.48	26	2.20	17	1161			83.15	27	2.40			20			1007	72.17	27	2.80	22	910	65.21	26	3.10	24	836	59.92	26	3.40	27	743	53.21	25	3.80	30	664	47.58	24	4.20	11	1752	125.51	10	0.85	GR89 GRF89	4P	12	1660	118.94	14	0.90			14	1453	104.10	16	1.00			15	1309	93.78	17	1.10			17	1148	82.27	18	1.25			20	1017	72.88	19	1.45			22	893	63.96	19	1.65			24	846	60.61	19	1.70	27	740			53.05					19	1.95	30	667	47.79	19	2.20	34	585	41.92	19	2.50	39	516	37.00	18	2.80	44	458	32.80	18	3.20	41	482	34.55	18	2.90	GR89 GRF89	4P	45	440	31.53	17	3.30			51	390	27.96	17	3.70			61	328	23.51	16	4.40			66	301	21.60	16	4.70																																																																																																																																																																																										
10	1980	141.83	35	2.00			11	1782	127.68	35	2.30			12	1614	115.63	35	2.50	14	1431			102.53	35	2.80	15	1294			92.70	35	3.10	6.6	3019	216.28	6.7	0.95	GR99 GRF99	4P	7.7	2600	186.30	21	1.10			8.4	2373	170.02	23	1.20			9.5	2105	150.78	24	1.35			11	1769	126.75	25	1.60			12	1626	116.48	26	1.75			14	1444	103.44	26	1.95			15	1291	92.48	26	2.20			17	1161	83.15	27	2.40	20	1007			72.17	27	2.80			22	910	65.21	26	3.10	24	836	59.92	26	3.40	27	743	53.21	25	3.80	30	664	47.58	24	4.20	11	1752	125.51	10	0.85	GR89 GRF89	4P	12	1660	118.94	14	0.90			14	1453	104.10	16	1.00			15	1309	93.78	17	1.10			17	1148	82.27	18	1.25			20	1017	72.88	19	1.45			22	893	63.96	19	1.65			24	846	60.61	19	1.70			27	740	53.05	19	1.95	30	667			47.79		19	2.20		34	585	41.92	19	2.50	39	516	37.00	18	2.80	44	458	32.80	18	3.20	41	482	34.55	18	2.90	GR89 GRF89	4P	45	440	31.53	17	3.30			51	390	27.96	17	3.70			61	328	23.51	16	4.40			66	301	21.60	16	4.70																																																																																																																																																																																																	
11	1782	127.68	35	2.30			12	1614	115.63	35	2.50			14	1431	102.53	35	2.80	15	1294			92.70	35	3.10	6.6	3019	216.28	6.7	0.95	GR99 GRF99	4P	7.7	2600	186.30	21	1.10			8.4	2373	170.02	23	1.20			9.5	2105	150.78	24	1.35			11	1769	126.75	25	1.60			12	1626	116.48	26	1.75			14	1444	103.44	26	1.95			15	1291	92.48	26	2.20			17	1161	83.15	27	2.40			20	1007	72.17	27	2.80	22	910			65.21	26	3.10	24	836	59.92	26	3.40	27	743	53.21	25	3.80	30	664	47.58	24	4.20	11	1752	125.51	10	0.85	GR89 GRF89	4P	12	1660	118.94	14	0.90			14	1453	104.10	16	1.00			15	1309	93.78	17	1.10			17	1148	82.27	18	1.25			20	1017	72.88	19	1.45			22	893	63.96	19	1.65			24	846	60.61	19	1.70			27	740	53.05	19	1.95			30	667	47.79	19	2.20	34	585			41.92	19	2.50	39	516	37.00	18	2.80	44	458	32.80	18	3.20	41	482	34.55	18	2.90	GR89 GRF89	4P	45	440	31.53	17	3.30			51	390	27.96	17	3.70			61	328	23.51	16	4.40			66	301	21.60	16	4.70																																																																																																																																																																																																								
12	1614	115.63	35	2.50			14	1431	102.53	35	2.80			15	1294	92.70	35	3.10	6.6	3019	216.28	6.7	0.95	GR99 GRF99	4P	7.7	2600	186.30	21	1.10			8.4	2373	170.02	23	1.20			9.5	2105	150.78	24	1.35			11	1769	126.75	25	1.60			12	1626	116.48	26	1.75			14	1444	103.44	26	1.95			15	1291	92.48	26	2.20			17	1161	83.15	27	2.40			20	1007	72.17	27	2.80			22	910	65.21	26	3.10	24	836	59.92	26	3.40	27	743	53.21	25	3.80	30	664	47.58	24	4.20	11	1752	125.51	10	0.85	GR89 GRF89	4P	12	1660	118.94	14	0.90			14	1453	104.10	16	1.00			15	1309	93.78	17	1.10			17	1148	82.27	18	1.25			20	1017	72.88	19	1.45			22	893	63.96	19	1.65			24	846	60.61	19	1.70			27	740	53.05	19	1.95			30	667	47.79	19	2.20			34	585	41.92	19	2.50	39	516	37.00	18	2.80	44	458	32.80	18	3.20	41	482	34.55	18	2.90	GR89 GRF89	4P	45	440	31.53	17	3.30			51	390	27.96	17	3.70			61	328	23.51	16	4.40			66	301	21.60	16	4.70																																																																																																																																																																																																															
14	1431	102.53	35	2.80			15	1294	92.70	35	3.10	6.6	3019	216.28	6.7	0.95	GR99 GRF99	4P	7.7	2600	186.30	21	1.10			8.4	2373	170.02	23	1.20			9.5	2105	150.78	24	1.35			11	1769	126.75	25	1.60			12	1626	116.48	26	1.75			14	1444	103.44	26	1.95			15	1291	92.48	26	2.20			17	1161	83.15	27	2.40			20	1007	72.17	27	2.80			22	910	65.21	26	3.10	24	836	59.92	26	3.40	27	743	53.21	25	3.80	30	664	47.58	24	4.20	11	1752	125.51	10	0.85	GR89 GRF89	4P	12	1660	118.94	14	0.90			14	1453	104.10	16	1.00			15	1309	93.78	17	1.10			17	1148	82.27	18	1.25			20	1017	72.88	19	1.45			22	893	63.96	19	1.65			24	846	60.61	19	1.70			27	740	53.05	19	1.95			30	667	47.79	19	2.20			34	585	41.92	19	2.50	39	516	37.00	18	2.80	44	458	32.80	18	3.20	41	482	34.55	18	2.90	GR89 GRF89	4P	45	440	31.53	17	3.30			51	390	27.96	17	3.70			61	328	23.51	16	4.40			66	301	21.60	16	4.70																																																																																																																																																																																																																						
15	1294	92.70	35	3.10	6.6	3019	216.28	6.7	0.95	GR99 GRF99	4P	7.7	2600	186.30	21	1.10			8.4	2373	170.02	23	1.20			9.5	2105	150.78	24	1.35			11	1769	126.75	25	1.60			12	1626	116.48	26	1.75			14	1444	103.44	26	1.95			15	1291	92.48	26	2.20			17	1161	83.15	27	2.40			20	1007	72.17	27	2.80			22	910	65.21	26	3.10	24	836	59.92	26	3.40	27	743	53.21	25	3.80	30	664	47.58	24	4.20	11	1752	125.51	10	0.85	GR89 GRF89	4P	12	1660	118.94	14	0.90			14	1453	104.10	16	1.00			15	1309	93.78	17	1.10			17	1148	82.27	18	1.25			20	1017	72.88	19	1.45			22	893	63.96	19	1.65			24	846	60.61	19	1.70			27	740	53.05	19	1.95			30	667	47.79	19	2.20			34	585	41.92	19	2.50	39	516	37.00	18	2.80	44	458	32.80	18	3.20	41	482	34.55	18	2.90	GR89 GRF89	4P	45	440	31.53	17	3.30			51	390	27.96	17	3.70			61	328	23.51	16	4.40			66	301	21.60	16	4.70																																																																																																																																																																																																																													
6.6	3019	216.28	6.7	0.95	GR99 GRF99	4P	7.7	2600	186.30			21	1.10	8.4	2373	170.02			23	1.20	9.5	2105	150.78			24	1.35	11	1769	126.75			25	1.60	12	1626	116.48			26	1.75	14	1444	103.44			26	1.95	15	1291	92.48			26	2.20	17	1161	83.15			27	2.40	20	1007	72.17			27	2.80	22	910	65.21	26	3.10	24	836	59.92	26	3.40	27	743	53.21	25	3.80	30	664	47.58	24	4.20	11	1752	125.51	10	0.85	GR89 GRF89	4P	12	1660	118.94			14	0.90	14	1453	104.10			16	1.00	15	1309	93.78			17	1.10	17	1148	82.27			18	1.25	20	1017	72.88			19	1.45	22	893	63.96			19	1.65	24	846	60.61			19	1.70	27	740	53.05			19	1.95	30	667	47.79			19	2.20	34	585	41.92	19	2.50	39	516	37.00	18	2.80	44	458	32.80	18	3.20	41	482	34.55	18	2.90	GR89 GRF89	4P	45	440	31.53			17	3.30	51	390	27.96			17	3.70	61	328	23.51			16	4.40	66	301	21.60			16	4.70																																																																																																																																																																																																																																
7.7	2600	186.30	21	1.10			8.4	2373	170.02			23	1.20	9.5	2105	150.78			24	1.35	11	1769	126.75			25	1.60	12	1626	116.48			26	1.75	14	1444	103.44			26	1.95	15	1291	92.48			26	2.20	17	1161	83.15			27	2.40	20	1007	72.17			27	2.80	22	910	65.21	26	3.10	24	836	59.92	26	3.40	27	743	53.21	25	3.80	30	664	47.58	24	4.20	11	1752	125.51	10	0.85	GR89 GRF89	4P	12	1660	118.94	14	0.90			14	1453	104.10			16	1.00	15	1309	93.78			17	1.10	17	1148	82.27			18	1.25	20	1017	72.88			19	1.45	22	893	63.96			19	1.65	24	846	60.61			19	1.70	27	740	53.05			19	1.95	30	667	47.79			19	2.20	34	585	41.92	19	2.50	39	516	37.00	18	2.80	44	458	32.80	18	3.20	41	482	34.55	18	2.90	GR89 GRF89	4P	45	440	31.53	17	3.30			51	390	27.96			17	3.70	61	328	23.51			16	4.40	66	301	21.60			16	4.70																																																																																																																																																																																																																																							
8.4	2373	170.02	23	1.20			9.5	2105	150.78			24	1.35	11	1769	126.75			25	1.60	12	1626	116.48			26	1.75	14	1444	103.44			26	1.95	15	1291	92.48			26	2.20	17	1161	83.15			27	2.40	20	1007	72.17			27	2.80	22	910	65.21	26	3.10	24	836	59.92	26	3.40	27	743	53.21	25	3.80	30	664	47.58	24	4.20	11	1752	125.51	10	0.85	GR89 GRF89	4P	12	1660	118.94	14	0.90			14	1453	104.10	16	1.00			15	1309	93.78			17	1.10	17	1148	82.27			18	1.25	20	1017	72.88			19	1.45	22	893	63.96			19	1.65	24	846	60.61			19	1.70	27	740	53.05			19	1.95	30	667	47.79			19	2.20	34	585	41.92	19	2.50	39	516	37.00	18	2.80	44	458	32.80	18	3.20	41	482	34.55	18	2.90	GR89 GRF89	4P	45	440	31.53	17	3.30			51	390	27.96	17	3.70			61	328	23.51			16	4.40	66	301	21.60			16	4.70																																																																																																																																																																																																																																														
9.5	2105	150.78	24	1.35			11	1769	126.75			25	1.60	12	1626	116.48			26	1.75	14	1444	103.44			26	1.95	15	1291	92.48			26	2.20	17	1161	83.15			27	2.40	20	1007	72.17			27	2.80	22	910	65.21	26	3.10	24	836	59.92	26	3.40	27	743	53.21	25	3.80	30	664	47.58	24	4.20	11	1752	125.51	10	0.85	GR89 GRF89	4P	12	1660	118.94	14	0.90			14	1453	104.10	16	1.00			15	1309	93.78	17	1.10			17	1148	82.27			18	1.25	20	1017	72.88			19	1.45	22	893	63.96			19	1.65	24	846	60.61			19	1.70	27	740	53.05			19	1.95	30	667	47.79			19	2.20	34	585	41.92	19	2.50	39	516	37.00	18	2.80	44	458	32.80	18	3.20	41	482	34.55	18	2.90	GR89 GRF89	4P	45	440	31.53	17	3.30			51	390	27.96	17	3.70			61	328	23.51	16	4.40			66	301	21.60			16	4.70																																																																																																																																																																																																																																																					
11	1769	126.75	25	1.60			12	1626	116.48			26	1.75	14	1444	103.44			26	1.95	15	1291	92.48			26	2.20	17	1161	83.15			27	2.40	20	1007	72.17			27	2.80	22	910	65.21	26	3.10	24	836	59.92	26	3.40	27	743	53.21	25	3.80	30	664	47.58	24	4.20	11	1752	125.51	10	0.85	GR89 GRF89	4P	12	1660	118.94	14	0.90			14	1453	104.10	16	1.00			15	1309	93.78	17	1.10			17	1148	82.27	18	1.25			20	1017	72.88			19	1.45	22	893	63.96			19	1.65	24	846	60.61			19	1.70	27	740	53.05			19	1.95	30	667	47.79			19	2.20	34	585	41.92	19	2.50	39	516	37.00	18	2.80	44	458	32.80	18	3.20	41	482	34.55	18	2.90	GR89 GRF89	4P	45	440	31.53	17	3.30			51	390	27.96	17	3.70			61	328	23.51	16	4.40			66	301	21.60	16	4.70																																																																																																																																																																																																																																																														
12	1626	116.48	26	1.75			14	1444	103.44			26	1.95	15	1291	92.48			26	2.20	17	1161	83.15			27	2.40	20	1007	72.17			27	2.80	22	910	65.21	26	3.10	24	836	59.92	26	3.40	27	743	53.21	25	3.80	30	664	47.58	24	4.20	11	1752	125.51	10	0.85	GR89 GRF89	4P	12	1660	118.94	14	0.90			14	1453	104.10	16	1.00			15	1309	93.78	17	1.10			17	1148	82.27	18	1.25			20	1017	72.88	19	1.45			22	893	63.96			19	1.65	24	846	60.61			19	1.70	27	740	53.05			19	1.95	30	667	47.79			19	2.20	34	585	41.92	19	2.50	39	516	37.00	18	2.80	44	458	32.80	18	3.20	41	482	34.55	18	2.90	GR89 GRF89	4P	45	440	31.53	17	3.30			51	390	27.96	17	3.70			61	328	23.51	16	4.40			66	301	21.60	16	4.70																																																																																																																																																																																																																																																																					
14	1444	103.44	26	1.95			15	1291	92.48			26	2.20	17	1161	83.15			27	2.40	20	1007	72.17			27	2.80	22	910	65.21	26	3.10	24	836	59.92	26	3.40	27	743	53.21	25	3.80	30	664	47.58	24	4.20	11	1752	125.51	10	0.85	GR89 GRF89	4P	12	1660	118.94	14	0.90			14	1453	104.10	16	1.00			15	1309	93.78	17	1.10			17	1148	82.27	18	1.25			20	1017	72.88	19	1.45			22	893	63.96	19	1.65			24	846	60.61			19	1.70	27	740	53.05			19	1.95	30	667	47.79			19	2.20	34	585	41.92	19	2.50	39	516	37.00	18	2.80	44	458	32.80	18	3.20	41	482	34.55	18	2.90	GR89 GRF89	4P	45	440	31.53	17	3.30			51	390	27.96	17	3.70			61	328	23.51	16	4.40			66	301	21.60	16	4.70																																																																																																																																																																																																																																																																												
15	1291	92.48	26	2.20			17	1161	83.15			27	2.40	20	1007	72.17			27	2.80	22	910	65.21	26	3.10	24	836	59.92	26	3.40	27	743	53.21	25	3.80	30	664	47.58	24	4.20	11	1752	125.51	10	0.85	GR89 GRF89	4P	12	1660	118.94	14	0.90			14	1453	104.10	16	1.00			15	1309	93.78	17	1.10			17	1148	82.27	18	1.25			20	1017	72.88	19	1.45			22	893	63.96	19	1.65			24	846	60.61	19	1.70			27	740	53.05			19	1.95	30	667	47.79			19	2.20	34	585	41.92	19	2.50	39	516	37.00	18	2.80	44	458	32.80	18	3.20	41	482	34.55	18	2.90	GR89 GRF89	4P	45	440	31.53	17	3.30			51	390	27.96	17	3.70			61	328	23.51	16	4.40			66	301	21.60	16	4.70																																																																																																																																																																																																																																																																																			
17	1161	83.15	27	2.40			20	1007	72.17			27	2.80	22	910	65.21	26	3.10	24	836	59.92	26	3.40	27	743	53.21	25	3.80	30	664	47.58	24	4.20	11	1752	125.51	10	0.85	GR89 GRF89	4P	12	1660	118.94	14	0.90			14	1453	104.10	16	1.00			15	1309	93.78	17	1.10			17	1148	82.27	18	1.25			20	1017	72.88	19	1.45			22	893	63.96	19	1.65			24	846	60.61	19	1.70			27	740	53.05	19	1.95			30	667	47.79			19	2.20	34	585	41.92	19	2.50	39	516	37.00	18	2.80	44	458	32.80	18	3.20	41	482	34.55	18	2.90	GR89 GRF89	4P	45	440	31.53	17	3.30			51	390	27.96	17	3.70			61	328	23.51	16	4.40			66	301	21.60	16	4.70																																																																																																																																																																																																																																																																																										
20	1007	72.17	27	2.80			22	910	65.21	26	3.10	24	836	59.92	26	3.40	27	743	53.21	25	3.80	30	664	47.58	24	4.20	11	1752	125.51	10	0.85	GR89 GRF89	4P	12	1660	118.94	14	0.90			14	1453	104.10	16	1.00			15	1309	93.78	17	1.10			17	1148	82.27	18	1.25			20	1017	72.88	19	1.45			22	893	63.96	19	1.65			24	846	60.61	19	1.70			27	740	53.05	19	1.95			30	667	47.79	19	2.20			34	585	41.92	19	2.50	39	516	37.00	18	2.80	44	458	32.80	18	3.20	41	482	34.55	18	2.90	GR89 GRF89	4P	45	440	31.53	17	3.30			51	390	27.96	17	3.70			61	328	23.51	16	4.40			66	301	21.60	16	4.70																																																																																																																																																																																																																																																																																																	
22	910	65.21	26	3.10	24	836	59.92	26	3.40	27	743	53.21	25	3.80	30	664	47.58	24	4.20	11	1752	125.51	10	0.85	GR89 GRF89	4P	12	1660	118.94	14	0.90			14	1453	104.10	16	1.00			15	1309	93.78	17	1.10			17	1148	82.27	18	1.25			20	1017	72.88	19	1.45			22	893	63.96	19	1.65			24	846	60.61	19	1.70			27	740	53.05	19	1.95			30	667	47.79	19	2.20			34	585	41.92	19	2.50	39	516	37.00	18	2.80	44	458	32.80	18	3.20	41	482	34.55	18	2.90	GR89 GRF89	4P	45	440	31.53	17	3.30			51	390	27.96	17	3.70			61	328	23.51	16	4.40			66	301	21.60	16	4.70																																																																																																																																																																																																																																																																																																								
24	836	59.92	26	3.40	27	743	53.21	25	3.80	30	664	47.58	24	4.20	11	1752	125.51	10	0.85	GR89 GRF89	4P	12	1660	118.94			14	0.90	14	1453	104.10			16	1.00	15	1309	93.78			17	1.10	17	1148	82.27			18	1.25	20	1017	72.88			19	1.45	22	893	63.96			19	1.65	24	846	60.61			19	1.70	27	740	53.05			19	1.95	30	667	47.79			19	2.20	34	585	41.92	19	2.50	39	516	37.00	18	2.80	44	458	32.80	18	3.20	41	482	34.55	18	2.90	GR89 GRF89	4P	45	440	31.53			17	3.30	51	390	27.96			17	3.70	61	328	23.51			16	4.40	66	301	21.60			16	4.70																																																																																																																																																																																																																																																																																																											
27	743	53.21	25	3.80	30	664	47.58	24	4.20	11	1752	125.51	10	0.85	GR89 GRF89	4P	12	1660	118.94			14	0.90	14			1453	104.10	16	1.00	15			1309	93.78	17	1.10	17			1148	82.27	18	1.25	20			1017	72.88	19	1.45	22			893	63.96	19	1.65	24			846	60.61	19	1.70	27			740	53.05	19	1.95	30			667	47.79	19	2.20	34	585	41.92	19	2.50	39	516	37.00	18	2.80	44	458	32.80	18	3.20	41	482	34.55	18	2.90	GR89 GRF89	4P	45	440	31.53			17	3.30	51			390	27.96	17	3.70	61			328	23.51	16	4.40	66			301	21.60	16	4.70																																																																																																																																																																																																																																																																																																																
30	664	47.58	24	4.20	11	1752	125.51	10	0.85	GR89 GRF89	4P	12	1660	118.94			14	0.90	14			1453	104.10	16			1.00	15	1309	93.78	17			1.10	17	1148	82.27	18			1.25	20	1017	72.88	19			1.45	22	893	63.96	19			1.65	24	846	60.61	19			1.70	27	740	53.05	19			1.95	30	667	47.79	19	2.20	34	585	41.92	19	2.50	39	516	37.00	18	2.80	44	458	32.80	18	3.20	41	482	34.55	18	2.90	GR89 GRF89	4P	45	440	31.53			17	3.30	51			390	27.96	17			3.70	61	328	23.51	16			4.40	66	301	21.60	16			4.70																																																																																																																																																																																																																																																																																																																			
11	1752	125.51	10	0.85	GR89 GRF89	4P	12	1660	118.94			14	0.90	14			1453	104.10	16			1.00	15	1309			93.78	17	1.10	17	1148			82.27	18	1.25	20	1017			72.88	19	1.45	22	893			63.96	19	1.65	24	846			60.61	19	1.70	27	740			53.05	19	1.95	30	667	47.79	19	2.20	34	585	41.92	19	2.50	39	516	37.00	18	2.80	44	458	32.80	18	3.20	41	482	34.55	18	2.90	GR89 GRF89	4P	45	440	31.53			17	3.30	51			390	27.96	17			3.70	61	328			23.51	16	4.40	66	301			21.60	16	4.70																																																																																																																																																																																																																																																																																																																								
12	1660	118.94	14	0.90			14	1453	104.10			16	1.00	15			1309	93.78	17			1.10	17	1148			82.27	18	1.25	20	1017			72.88	19	1.45	22	893			63.96	19	1.65	24	846			60.61	19	1.70	27	740			53.05	19	1.95	30	667	47.79	19	2.20	34	585	41.92	19	2.50	39	516	37.00	18	2.80	44	458	32.80	18	3.20	41	482	34.55	18	2.90	GR89 GRF89	4P	45	440	31.53	17	3.30			51	390	27.96			17	3.70	61			328	23.51	16			4.40	66	301			21.60	16	4.70																																																																																																																																																																																																																																																																																																																															
14	1453	104.10	16	1.00			15	1309	93.78			17	1.10	17			1148	82.27	18			1.25	20	1017			72.88	19	1.45	22	893			63.96	19	1.65	24	846			60.61	19	1.70	27	740			53.05	19	1.95	30	667	47.79	19	2.20	34	585	41.92	19	2.50	39	516	37.00	18	2.80	44	458	32.80	18	3.20	41	482	34.55	18	2.90	GR89 GRF89	4P	45	440	31.53	17	3.30			51	390	27.96	17	3.70			61	328	23.51			16	4.40	66			301	21.60	16			4.70																																																																																																																																																																																																																																																																																																																																						
15	1309	93.78	17	1.10			17	1148	82.27			18	1.25	20			1017	72.88	19			1.45	22	893			63.96	19	1.65	24	846			60.61	19	1.70	27	740			53.05	19	1.95	30	667	47.79	19	2.20	34	585	41.92	19	2.50	39	516	37.00	18	2.80	44	458	32.80	18	3.20	41	482	34.55	18	2.90	GR89 GRF89	4P	45	440	31.53	17	3.30			51	390	27.96	17	3.70			61	328	23.51	16	4.40			66	301	21.60			16	4.70																																																																																																																																																																																																																																																																																																																																															
17	1148	82.27	18	1.25			20	1017	72.88			19	1.45	22			893	63.96	19			1.65	24	846			60.61	19	1.70	27	740			53.05	19	1.95	30	667	47.79	19	2.20	34	585	41.92	19	2.50	39	516	37.00	18	2.80	44	458	32.80	18	3.20	41	482	34.55	18	2.90	GR89 GRF89	4P	45	440	31.53	17	3.30			51	390	27.96	17	3.70			61	328	23.51	16	4.40			66	301	21.60	16	4.70																																																																																																																																																																																																																																																																																																																																																								
20	1017	72.88	19	1.45			22	893	63.96			19	1.65	24			846	60.61	19			1.70	27	740			53.05	19	1.95	30	667	47.79	19	2.20	34	585	41.92	19	2.50	39	516	37.00	18	2.80	44	458	32.80	18	3.20	41	482	34.55	18	2.90	GR89 GRF89	4P	45	440	31.53	17	3.30			51	390	27.96	17	3.70			61	328	23.51	16	4.40			66	301	21.60	16	4.70																																																																																																																																																																																																																																																																																																																																																															
22	893	63.96	19	1.65			24	846	60.61			19	1.70	27			740	53.05	19			1.95	30	667	47.79	19	2.20	34	585	41.92	19	2.50	39	516	37.00	18	2.80	44	458	32.80	18	3.20	41	482	34.55	18	2.90	GR89 GRF89	4P	45	440	31.53	17	3.30			51	390	27.96	17	3.70			61	328	23.51	16	4.40			66	301	21.60	16	4.70																																																																																																																																																																																																																																																																																																																																																																						
24	846	60.61	19	1.70			27	740	53.05			19	1.95	30			667	47.79	19	2.20	34	585	41.92	19	2.50	39	516	37.00	18	2.80	44	458	32.80	18	3.20	41	482	34.55	18	2.90	GR89 GRF89	4P	45	440	31.53	17	3.30			51	390	27.96	17	3.70			61	328	23.51	16	4.40			66	301	21.60	16	4.70																																																																																																																																																																																																																																																																																																																																																																													
27	740	53.05	19	1.95			30	667	47.79			19	2.20	34	585	41.92	19	2.50	39	516	37.00	18	2.80	44	458	32.80	18	3.20	41	482	34.55	18	2.90	GR89 GRF89	4P	45	440	31.53	17	3.30			51	390	27.96	17	3.70			61	328	23.51	16	4.40			66	301	21.60	16	4.70																																																																																																																																																																																																																																																																																																																																																																																				
30	667	47.79	19	2.20			34	585	41.92	19	2.50	39	516	37.00	18	2.80	44	458	32.80	18	3.20	41	482	34.55	18	2.90	GR89 GRF89	4P	45	440	31.53	17	3.30			51	390	27.96	17	3.70			61	328	23.51	16	4.40			66	301	21.60	16	4.70																																																																																																																																																																																																																																																																																																																																																																																											
34	585	41.92	19	2.50	39	516	37.00	18	2.80	44	458	32.80	18	3.20	41	482	34.55	18	2.90	GR89 GRF89	4P	45	440	31.53	17	3.30			51	390	27.96	17	3.70			61	328	23.51	16	4.40			66	301	21.60	16	4.70																																																																																																																																																																																																																																																																																																																																																																																																		
39	516	37.00	18	2.80	44	458	32.80	18	3.20	41	482	34.55	18	2.90	GR89 GRF89	4P	45	440	31.53			17	3.30	51	390	27.96			17	3.70	61	328	23.51			16	4.40	66	301	21.60			16	4.70																																																																																																																																																																																																																																																																																																																																																																																																					
44	458	32.80	18	3.20	41	482	34.55	18	2.90	GR89 GRF89	4P	45	440	31.53			17	3.30	51			390	27.96	17	3.70	61			328	23.51	16	4.40	66			301	21.60	16	4.70																																																																																																																																																																																																																																																																																																																																																																																																										
41	482	34.55	18	2.90	GR89 GRF89	4P	45	440	31.53			17	3.30	51			390	27.96	17			3.70	61	328	23.51	16			4.40	66	301	21.60	16			4.70																																																																																																																																																																																																																																																																																																																																																																																																													
45	440	31.53	17	3.30			51	390	27.96			17	3.70	61			328	23.51	16			4.40	66	301	21.60	16			4.70																																																																																																																																																																																																																																																																																																																																																																																																																				
51	390	27.96	17	3.70			61	328	23.51			16	4.40	66			301	21.60	16			4.70																																																																																																																																																																																																																																																																																																																																																																																																																											
61	328	23.51	16	4.40			66	301	21.60			16	4.70																																																																																																																																																																																																																																																																																																																																																																																																																																				
66	301	21.60	16	4.70																																																																																																																																																																																																																																																																																																																																																																																																																																													

选型参数表
(恒功率)
Selection Table
(Constant Power)

n_a [r/min]	M_a [N.m]	i	F_{Ra} [kN]	f_B	机型号 Type size	极数 Pole	n_a [r/min]	M_a [N.m]	i	F_{Ra} [kN]	f_B	机型号 Type size	极数 Pole																																																																																																																																																																																																																																																																																																																																																																																																																																																																																																																																																						
2.2kW							2.2kW																																																																																																																																																																																																																																																																																																																																																																																																																																																																																																																																																												
22	918	65.77	5.2	0.85	GR79 GRF79	4P	122	164	23.28	3.1	1.70	GR49 GRF49	2P																																																																																																																																																																																																																																																																																																																																																																																																																																																																																																																																																						
25	805	57.68	9.1	0.95			27	727	52.07	10	1.05			31	639	45.81	10	1.20	33	604	43.26	11	1.25	39	514	36.83	11	1.50	43	467	33.47	11	1.65	49	405	29.00	11	1.90	57	352	25.23	11	2.10	61	326	23.37	11	2.30	67	299	21.43	11	2.60	GR79 GRF79	4P	92	211	15.60	1.0	0.85	GR39 GRF39	4P	76	262	18.80	10	2.80	80	249	17.82	10	2.90	92	218	15.60	10	3.20	102	196	14.05	9.4	3.40	36	557	39.88	7.2	1.00	38	523	37.50	7.6	1.00	44	450	32.27	8.3	1.10	50	402	28.83	8.7	1.20	61	327	23.44	8.7	1.60	GR69 GRF69	4P	179	108	7.97	2.6	1.30	72	278	19.89	8.3	2.00	80	251	17.95	8.1	2.20	91	220	15.79	7.8	2.40	96	208	14.91	7.7	2.50	113	177	12.70	7.4	2.80	124	161	11.54	7.2	2.90	143	140	10.00	6.9	3.20	164	121	8.70	6.6	3.40	184	109	7.79	6.4	3.30	38	521	37.30	4.3	0.80	GR59 GRF59	4P	331	58	4.32	2.3	1.95	41	489	35.07	4.9	0.85	47	421	30.18	4.8	1.00	53	376	26.97	4.7	1.10	65	306	21.93	4.6	1.40	77	260	18.60	4.4	1.60	GR69 GRF69	4P	353	55	4.05	2.3	2.00	85	234	16.79	4.3	1.80	97	206	14.77	4.2	2.00	103	195	13.95	4.2	2.10	120	166	11.88	4.0	2.30	133	151	10.79	3.9	2.40	153	131	9.35	3.8	2.70	158	126	9.06	3.8	2.80	179	111	7.97	3.7	3.00	108	185	26.31	4.2	2.20	GR59 GRF59	2P	419	46	3.41	2.2	2.20	114	176	24.99	4.1	2.30	130	154	21.93	4.0	2.70	153	131	18.60	3.8	3.10	169	118	16.79	3.7	3.50	192	104	14.77	3.6	3.80	204	98	13.95	3.6	4.00	74	269	19.27	3.4	1.05	GR39 GRF39	2P	88	226	16.22	3.3	1.15	98	203	14.56	3.2	1.20	114	175	12.54	3.1	1.35	121	165	11.79	3.1	1.40	141	142	10.15	3.0	1.50	158	127	9.07	2.9	1.65	185	108	7.75	2.8	1.40	205	97	6.96	2.7	1.55	238	84	6.00	2.6	1.75	254	79	5.64	2.6	1.85	295	68	4.85	2.5	2.10	329	61	4.34	2.4	2.30	386	52	3.70	2.3	2.50	214	90	13.28	1.6	1.25	GR29 GRF29	4P	239	81	11.86	1.6	1.40	280	69	10.13	1.6	1.55	348	56	8.16	1.5	1.85	372	52	7.63	1.4	1.90	431	45	6.59	1.4	2.10	507	38	5.60	1.3	2.30	568	34	5.00	1.3	2.50	665	29	4.27	1.3	2.60	710	27	4.00	1.2	2.80	843	23	3.37	1.2	3.00	302	68	4.73	4.9	1.75	GR29 GRF29	2P	354	58	4.04	4.7	2.40	386	53	3.70	4.6	2.80	440	47	3.25	4.4	3.80	464	44	3.08	4.3	4.20	530	39	2.70	4.2	5.30	588	35	2.43	4.0	5.90	671	31	2.13	3.9	6.30	761	27	1.88	3.7	6.70	856	24	1.67	3.6	7.00	1007	20	1.42	3.4	7.30																																																																												
27	727	52.07	10	1.05			31	639	45.81	10	1.20			33	604	43.26	11	1.25	39	514	36.83	11	1.50	43	467	33.47	11	1.65	49	405	29.00	11	1.90	57	352	25.23	11	2.10	61	326	23.37	11	2.30	67	299	21.43	11	2.60	GR79 GRF79	4P	92	211	15.60			1.0	0.85	GR39 GRF39	4P	76			262	18.80	10	2.80	80	249	17.82	10	2.90	92	218	15.60	10	3.20	102	196	14.05	9.4	3.40	36	557	39.88	7.2	1.00	38	523	37.50	7.6	1.00	44	450	32.27	8.3	1.10	50	402	28.83	8.7	1.20	61	327	23.44	8.7	1.60	GR69 GRF69			4P	179	108	7.97	2.6	1.30	72	278	19.89	8.3	2.00	80	251	17.95	8.1	2.20	91	220	15.79	7.8	2.40	96	208	14.91	7.7	2.50	113	177	12.70	7.4	2.80	124	161	11.54	7.2	2.90	143	140	10.00	6.9	3.20	164	121	8.70	6.6	3.40	184	109	7.79	6.4	3.30	38	521	37.30	4.3			0.80	GR59 GRF59	4P	331	58	4.32	2.3	1.95	41	489	35.07	4.9	0.85	47	421	30.18	4.8	1.00	53	376	26.97	4.7	1.10	65	306	21.93	4.6	1.40	77	260			18.60	4.4	1.60	GR69 GRF69	4P	353	55	4.05	2.3	2.00	85	234	16.79	4.3	1.80	97	206	14.77	4.2	2.00	103	195	13.95	4.2	2.10	120	166	11.88	4.0	2.30	133	151	10.79	3.9	2.40	153	131	9.35	3.8	2.70	158	126	9.06	3.8	2.80	179	111	7.97	3.7	3.00			108	185	26.31	4.2	2.20	GR59 GRF59	2P	419	46	3.41	2.2	2.20	114	176	24.99	4.1	2.30	130	154	21.93	4.0	2.70	153	131	18.60	3.8	3.10	169	118	16.79	3.7	3.50	192	104	14.77	3.6	3.80	204	98	13.95			3.6	4.00	74	269	19.27	3.4	1.05	GR39 GRF39	2P	88	226	16.22	3.3	1.15	98	203	14.56	3.2	1.20	114	175	12.54	3.1	1.35	121	165	11.79	3.1	1.40	141	142	10.15	3.0	1.50	158	127	9.07	2.9	1.65	185	108	7.75	2.8	1.40	205	97	6.96	2.7	1.55	238	84	6.00	2.6	1.75	254	79	5.64	2.6	1.85	295	68	4.85	2.5	2.10	329	61	4.34	2.4	2.30	386			52	3.70	2.3	2.50	214	90	13.28	1.6	1.25	GR29 GRF29	4P	239	81	11.86	1.6	1.40	280	69	10.13	1.6	1.55	348	56	8.16	1.5	1.85	372	52	7.63	1.4	1.90	431	45	6.59	1.4	2.10	507	38	5.60	1.3	2.30	568	34	5.00	1.3	2.50	665	29	4.27	1.3	2.60	710	27	4.00	1.2			2.80	843	23	3.37	1.2	3.00	302	68	4.73	4.9	1.75	GR29 GRF29	2P	354	58	4.04	4.7	2.40	386	53	3.70	4.6	2.80	440	47	3.25	4.4	3.80	464	44	3.08	4.3	4.20	530	39	2.70	4.2	5.30	588	35	2.43	4.0	5.90	671	31	2.13	3.9	6.30	761	27	1.88	3.7	6.70	856	24	1.67	3.6	7.00	1007	20	1.42	3.4	7.30																																																															
31	639	45.81	10	1.20			33	604	43.26	11	1.25			39	514	36.83	11	1.50	43	467	33.47	11	1.65	49	405	29.00	11	1.90	57	352	25.23	11	2.10	61	326	23.37	11	2.30	67	299	21.43	11	2.60	GR79 GRF79	4P	92	211	15.60			1.0	0.85	GR39 GRF39			4P	76			262			18.80	10	2.80	80	249	17.82	10	2.90	92	218	15.60	10	3.20	102	196	14.05	9.4	3.40	36	557	39.88	7.2	1.00	38	523	37.50	7.6	1.00	44	450	32.27	8.3	1.10	50	402	28.83	8.7	1.20	61	327	23.44	8.7	1.60	GR69 GRF69					4P	179	108	7.97	2.6	1.30	72	278	19.89	8.3	2.00	80	251	17.95	8.1	2.20	91	220	15.79	7.8	2.40	96	208	14.91	7.7	2.50	113	177	12.70	7.4	2.80	124	161	11.54	7.2	2.90	143	140	10.00	6.9	3.20	164	121	8.70	6.6	3.40	184	109	7.79	6.4	3.30	38	521	37.30			4.3			0.80	GR59 GRF59	4P	331	58	4.32	2.3	1.95	41	489	35.07	4.9	0.85	47	421	30.18	4.8	1.00	53	376	26.97	4.7	1.10	65	306	21.93	4.6			1.40	77	260			18.60	4.4	1.60	GR69 GRF69	4P	353	55	4.05	2.3	2.00	85	234	16.79	4.3	1.80	97	206	14.77	4.2	2.00	103	195	13.95	4.2	2.10	120	166	11.88	4.0	2.30	133	151	10.79	3.9	2.40	153	131	9.35	3.8	2.70	158	126	9.06	3.8	2.80			179	111	7.97	3.7	3.00			108	185	26.31	4.2	2.20	GR59 GRF59	2P	419	46	3.41	2.2	2.20	114	176	24.99	4.1	2.30	130	154	21.93	4.0	2.70	153	131	18.60	3.8	3.10	169	118	16.79	3.7	3.50	192			104	14.77	3.6	3.80	204	98	13.95			3.6	4.00	74	269	19.27	3.4	1.05	GR39 GRF39	2P	88	226	16.22	3.3	1.15	98	203	14.56	3.2	1.20	114	175	12.54	3.1	1.35	121	165	11.79	3.1	1.40	141	142	10.15	3.0	1.50	158	127	9.07	2.9	1.65	185	108	7.75	2.8	1.40	205	97	6.96	2.7	1.55	238	84	6.00	2.6	1.75	254	79	5.64	2.6	1.85	295	68			4.85	2.5	2.10	329	61	4.34	2.4	2.30	386			52	3.70	2.3	2.50	214	90	13.28	1.6	1.25	GR29 GRF29	4P	239	81	11.86	1.6	1.40	280	69	10.13	1.6	1.55	348	56	8.16	1.5	1.85	372	52	7.63	1.4	1.90	431	45	6.59	1.4	2.10	507	38	5.60	1.3	2.30	568	34	5.00			1.3	2.50	665	29	4.27	1.3	2.60	710	27	4.00	1.2			2.80	843	23	3.37	1.2	3.00	302	68	4.73	4.9	1.75	GR29 GRF29	2P	354	58	4.04	4.7	2.40	386	53	3.70	4.6	2.80	440	47	3.25	4.4	3.80	464	44	3.08	4.3	4.20	530	39	2.70	4.2	5.30	588	35	2.43	4.0	5.90	671	31	2.13	3.9	6.30	761	27	1.88	3.7	6.70	856	24	1.67	3.6	7.00	1007	20	1.42	3.4	7.30																																																		
33	604	43.26	11	1.25			39	514	36.83	11	1.50			43	467	33.47	11	1.65	49	405	29.00	11	1.90	57	352	25.23	11	2.10	61	326	23.37	11	2.30	67	299	21.43	11	2.60	GR79 GRF79	4P	92	211	15.60			1.0	0.85	GR39 GRF39			4P	76					262			18.80			10	2.80	80	249	17.82	10	2.90	92	218	15.60	10	3.20	102	196	14.05	9.4	3.40	36	557	39.88	7.2	1.00	38	523	37.50	7.6	1.00	44	450	32.27	8.3	1.10	50	402	28.83	8.7	1.20	61	327	23.44	8.7	1.60	GR69 GRF69							4P	179	108	7.97	2.6	1.30	72	278	19.89	8.3	2.00	80	251	17.95	8.1	2.20	91	220	15.79	7.8	2.40	96	208	14.91	7.7	2.50	113	177	12.70	7.4	2.80	124	161	11.54	7.2	2.90	143	140	10.00	6.9	3.20	164	121	8.70	6.6	3.40	184	109	7.79	6.4	3.30	38	521			37.30			4.3			0.80	GR59 GRF59	4P	331	58	4.32	2.3	1.95	41	489	35.07	4.9	0.85	47	421	30.18	4.8	1.00	53	376	26.97	4.7	1.10	65			306	21.93	4.6			1.40	77	260			18.60	4.4	1.60	GR69 GRF69	4P	353	55	4.05	2.3	2.00	85	234	16.79	4.3	1.80	97	206	14.77	4.2	2.00	103	195	13.95	4.2	2.10	120	166	11.88	4.0	2.30	133	151	10.79	3.9	2.40	153	131	9.35	3.8	2.70			158	126	9.06	3.8	2.80			179	111	7.97	3.7	3.00			108	185	26.31	4.2	2.20	GR59 GRF59	2P	419	46	3.41	2.2	2.20	114	176	24.99	4.1	2.30	130	154	21.93	4.0	2.70	153	131	18.60	3.8			3.10	169	118	16.79	3.7	3.50	192			104	14.77	3.6	3.80	204	98	13.95			3.6	4.00	74	269	19.27	3.4	1.05	GR39 GRF39	2P	88	226	16.22	3.3	1.15	98	203	14.56	3.2	1.20	114	175	12.54	3.1	1.35	121	165	11.79	3.1	1.40	141	142	10.15	3.0	1.50	158	127	9.07	2.9	1.65	185	108	7.75	2.8	1.40	205	97	6.96	2.7	1.55	238	84	6.00			2.6	1.75	254	79	5.64	2.6	1.85	295	68			4.85	2.5	2.10	329	61	4.34	2.4	2.30	386			52	3.70	2.3	2.50	214	90	13.28	1.6	1.25	GR29 GRF29	4P	239	81	11.86	1.6	1.40	280	69	10.13	1.6	1.55	348	56	8.16	1.5	1.85	372	52	7.63	1.4	1.90	431	45			6.59	1.4	2.10	507	38	5.60	1.3	2.30	568	34	5.00			1.3	2.50	665	29	4.27	1.3	2.60	710	27	4.00	1.2			2.80	843	23	3.37	1.2	3.00	302	68	4.73	4.9	1.75	GR29 GRF29	2P	354	58	4.04	4.7	2.40	386	53	3.70	4.6	2.80	440	47	3.25	4.4	3.80	464	44	3.08	4.3	4.20	530	39	2.70	4.2	5.30	588	35	2.43	4.0	5.90	671	31	2.13	3.9	6.30	761	27	1.88	3.7	6.70	856	24	1.67	3.6	7.00	1007	20	1.42	3.4	7.30																																					
39	514	36.83	11	1.50			43	467	33.47	11	1.65			49	405	29.00	11	1.90	57	352	25.23	11	2.10	61	326	23.37	11	2.30	67	299	21.43	11	2.60	GR79 GRF79	4P	92	211	15.60			1.0	0.85	GR39 GRF39			4P	76					262					18.80			10			2.80	80	249	17.82	10	2.90	92	218	15.60	10	3.20	102	196	14.05	9.4	3.40	36	557	39.88	7.2	1.00	38	523	37.50	7.6	1.00	44	450	32.27	8.3	1.10	50	402	28.83	8.7	1.20	61	327	23.44	8.7	1.60	GR69 GRF69									4P	179	108	7.97	2.6	1.30	72	278	19.89	8.3	2.00	80	251	17.95	8.1	2.20	91	220	15.79	7.8	2.40	96	208	14.91	7.7	2.50	113	177	12.70	7.4	2.80	124	161	11.54	7.2	2.90	143	140	10.00	6.9	3.20	164	121	8.70	6.6	3.40	184	109	7.79	6.4	3.30	38			521			37.30			4.3			0.80	GR59 GRF59	4P	331	58	4.32	2.3	1.95	41	489	35.07	4.9	0.85	47	421	30.18	4.8	1.00	53	376	26.97			4.7	1.10	65			306	21.93	4.6			1.40	77	260			18.60	4.4	1.60	GR69 GRF69	4P	353	55	4.05	2.3	2.00	85	234	16.79	4.3	1.80	97	206	14.77	4.2	2.00	103	195	13.95	4.2	2.10	120	166	11.88	4.0	2.30	133	151	10.79	3.9	2.40			153	131	9.35	3.8	2.70			158	126	9.06	3.8	2.80			179	111	7.97	3.7	3.00			108	185	26.31	4.2	2.20	GR59 GRF59	2P	419	46	3.41	2.2	2.20	114	176	24.99	4.1	2.30	130	154			21.93	4.0	2.70	153	131	18.60	3.8			3.10	169	118	16.79	3.7	3.50	192			104	14.77	3.6	3.80	204	98	13.95			3.6	4.00	74	269	19.27	3.4	1.05	GR39 GRF39	2P	88	226	16.22	3.3	1.15	98	203	14.56	3.2	1.20	114	175	12.54	3.1	1.35	121	165	11.79	3.1	1.40	141	142	10.15	3.0	1.50	158	127	9.07	2.9	1.65	185	108	7.75	2.8			1.40	205	97	6.96	2.7	1.55	238	84	6.00			2.6	1.75	254	79	5.64	2.6	1.85	295	68			4.85	2.5	2.10	329	61	4.34	2.4	2.30	386			52	3.70	2.3	2.50	214	90	13.28	1.6	1.25	GR29 GRF29	4P	239	81	11.86	1.6	1.40	280	69	10.13	1.6	1.55	348			56	8.16	1.5	1.85	372	52	7.63	1.4	1.90	431	45			6.59	1.4	2.10	507	38	5.60	1.3	2.30	568	34	5.00			1.3	2.50	665	29	4.27	1.3	2.60	710	27	4.00	1.2			2.80	843	23	3.37	1.2	3.00	302	68	4.73	4.9	1.75	GR29 GRF29	2P	354	58	4.04	4.7	2.40	386	53	3.70	4.6	2.80	440	47	3.25	4.4	3.80	464	44	3.08	4.3	4.20	530	39	2.70	4.2	5.30	588	35	2.43	4.0	5.90	671	31	2.13	3.9	6.30	761	27	1.88	3.7	6.70	856	24	1.67	3.6	7.00	1007	20	1.42	3.4	7.30																								
43	467	33.47	11	1.65			49	405	29.00	11	1.90			57	352	25.23	11	2.10	61	326	23.37	11	2.30	67	299	21.43	11	2.60	GR79 GRF79	4P	92	211	15.60			1.0	0.85	GR39 GRF39			4P	76					262					18.80		10	2.80		80			249			17.82	10	2.90	92	218	15.60	10	3.20	102	196	14.05	9.4	3.40	36	557	39.88	7.2	1.00	38	523	37.50	7.6	1.00	44	450	32.27	8.3	1.10	50	402	28.83	8.7	1.20	61	327	23.44	8.7	1.60	GR69 GRF69	4P	179											108	7.97	2.6	1.30	72	278	19.89	8.3	2.00	80	251	17.95	8.1	2.20	91	220	15.79	7.8	2.40	96	208	14.91	7.7	2.50	113	177	12.70	7.4	2.80	124	161	11.54	7.2	2.90	143	140	10.00	6.9	3.20	164	121	8.70	6.6	3.40	184	109	7.79	6.4	3.30	38	521	37.30	4.3	0.80			GR59 GRF59			4P			331			58	4.32	2.3	1.95	41	489	35.07	4.9	0.85	47	421	30.18	4.8	1.00	53	376	26.97	4.7			1.10	65	306			21.93	4.6	1.40			77	260	18.60			4.4	1.60	GR69 GRF69			4P	353	55	4.05	2.3	2.00	85	234	16.79	4.3	1.80	97	206	14.77	4.2	2.00	103	195	13.95	4.2	2.10	120	166	11.88	4.0	2.30	133	151	10.79	3.9			2.40	153	131	9.35	3.8			2.70	158	126	9.06	3.8			2.80	179	111	7.97	3.7			3.00	108	185	26.31	4.2			2.20	GR59 GRF59	2P	419	46	3.41	2.2	2.20	114	176	24.99	4.1			2.30	130	154	21.93	4.0	2.70	153			131	18.60	3.8	3.10	169	118	16.79			3.7	3.50	192	104	14.77	3.6	3.80			204	98	13.95	3.6	4.00	74	269			19.27	3.4	1.05	GR39 GRF39	2P	88	226	16.22	3.3	1.15	98	203	14.56	3.2	1.20	114	175	12.54	3.1	1.35	121	165	11.79	3.1	1.40	141	142	10.15	3.0	1.50	158	127	9.07	2.9			1.65	185	108	7.75	2.8	1.40	205	97	6.96			2.7	1.55	238	84	6.00	2.6	1.75	254	79			5.64	2.6	1.85	295	68	4.85	2.5	2.10	329			61	4.34	2.4	2.30	386	52	3.70	2.3	2.50			214	90	13.28	1.6	1.25	GR29 GRF29	4P	239	81	11.86	1.6			1.40	280	69	10.13	1.6	1.55	348	56	8.16	1.5	1.85			372	52	7.63	1.4	1.90	431	45	6.59	1.4	2.10	507			38	5.60	1.3	2.30	568	34	5.00	1.3	2.50	665	29			4.27	1.3	2.60	710	27	4.00	1.2	2.80	843	23	3.37			1.2	3.00	302	68	4.73	4.9	1.75	GR29 GRF29	2P	354	58	4.04	4.7	2.40	386	53	3.70	4.6	2.80	440	47	3.25	4.4	3.80	464	44	3.08	4.3	4.20	530	39	2.70	4.2	5.30	588	35	2.43	4.0	5.90	671	31	2.13	3.9	6.30	761	27	1.88	3.7	6.70	856	24	1.67	3.6	7.00	1007	20	1.42	3.4	7.30															
49	405	29.00	11	1.90			57	352	25.23	11	2.10			61	326	23.37	11	2.30	67	299	21.43	11	2.60	GR79 GRF79	4P	92	211	15.60			1.0	0.85	GR39 GRF39			4P	76					262					18.80		10	2.80		80		249	17.82		10			2.90			92	218	15.60	10	3.20	102	196	14.05	9.4	3.40	36	557	39.88	7.2	1.00	38	523	37.50	7.6	1.00	44	450	32.27	8.3	1.10	50	402	28.83	8.7	1.20	61	327	23.44	8.7	1.60	GR69 GRF69	4P	179			108											7.97	2.6	1.30	72	278	19.89	8.3	2.00	80	251	17.95	8.1	2.20	91	220	15.79	7.8	2.40	96	208	14.91	7.7	2.50	113	177	12.70	7.4	2.80	124	161	11.54	7.2	2.90	143	140	10.00	6.9	3.20	164	121	8.70	6.6	3.40	184	109	7.79	6.4	3.30	38	521	37.30	4.3	0.80	GR59 GRF59	4P	331							58			4.32	2.3	1.95	41	489	35.07	4.9	0.85	47	421	30.18	4.8	1.00	53	376	26.97	4.7	1.10			65	306	21.93			4.6	1.40	77			260	18.60	4.4			1.60	GR69 GRF69					4P	353	55	4.05	2.3	2.00	85	234	16.79	4.3	1.80	97	206	14.77	4.2	2.00	103	195	13.95	4.2	2.10	120	166	11.88	4.0	2.30	133	151	10.79			3.9	2.40	153	131	9.35			3.8	2.70	158	126	9.06			3.8	2.80	179	111	7.97			3.7	3.00	108	185	26.31			4.2			2.20	GR59 GRF59	2P	419	46	3.41	2.2	2.20	114			176	24.99	4.1	2.30	130	154	21.93			4.0	2.70	153	131	18.60	3.8	3.10			169	118	16.79	3.7	3.50	192	104			14.77	3.6	3.80	204	98	13.95	3.6			4.00	74	269			19.27	3.4	1.05	GR39 GRF39	2P	88	226	16.22	3.3	1.15	98	203	14.56	3.2	1.20	114	175	12.54	3.1	1.35	121	165	11.79	3.1	1.40	141	142	10.15	3.0			1.50	158	127	9.07	2.9	1.65	185	108	7.75			2.8	1.40	205	97	6.96	2.7	1.55	238	84			6.00	2.6	1.75	254	79	5.64	2.6	1.85	295			68	4.85	2.5	2.10	329	61	4.34	2.4	2.30			386	52	3.70	2.3	2.50			214	90	13.28	1.6			1.25	GR29 GRF29	4P	239	81	11.86	1.6	1.40	280	69	10.13			1.6	1.55	348	56	8.16	1.5	1.85	372	52	7.63	1.4			1.90	431	45	6.59	1.4	2.10	507	38	5.60	1.3	2.30			568	34	5.00	1.3	2.50	665	29	4.27	1.3	2.60	710			27	4.00	1.2	2.80	843	23	3.37			1.2	3.00	302	68	4.73	4.9	1.75	GR29 GRF29	2P	354	58	4.04	4.7	2.40	386	53	3.70	4.6	2.80	440	47	3.25	4.4	3.80	464	44	3.08	4.3	4.20	530	39	2.70	4.2	5.30	588	35	2.43	4.0	5.90	671	31	2.13	3.9	6.30	761	27	1.88	3.7	6.70	856	24	1.67	3.6	7.00	1007	20	1.42	3.4	7.30						
57	352	25.23	11	2.10			61	326	23.37	11	2.30			67	299	21.43	11	2.60	GR79 GRF79	4P	92	211	15.60			1.0	0.85	GR39 GRF39			4P	76					262					18.80		10	2.80		80		249	17.82		10		2.90	92		218			15.60			10	3.20	102	196	14.05	9.4	3.40	36	557	39.88	7.2	1.00	38	523	37.50	7.6	1.00	44	450	32.27	8.3	1.10	50	402	28.83	8.7	1.20	61	327	23.44	8.7	1.60	GR69 GRF69	4P	179			108			7.97											2.6	1.30	72	278	19.89	8.3	2.00	80	251	17.95	8.1	2.20	91	220	15.79	7.8	2.40	96	208	14.91	7.7	2.50	113	177	12.70	7.4	2.80	124	161	11.54	7.2	2.90	143	140	10.00	6.9	3.20	164	121	8.70	6.6	3.40	184	109	7.79	6.4	3.30	38	521	37.30	4.3	0.80	GR59 GRF59			4P		331	58				4.32			2.3	1.95	41	489	35.07	4.9	0.85	47	421	30.18	4.8	1.00	53	376	26.97	4.7	1.10	65			306	21.93	4.6			1.40	77	260			18.60	4.4	1.60			GR69 GRF69							4P	353	55	4.05	2.3	2.00	85	234	16.79	4.3	1.80	97	206	14.77	4.2	2.00	103	195	13.95	4.2	2.10	120	166	11.88	4.0	2.30	133	151			10.79	3.9	2.40	153	131			9.35	3.8	2.70	158	126			9.06	3.8	2.80	179	111			7.97	3.7	3.00	108	185			26.31			4.2			2.20	GR59 GRF59	2P	419	46	3.41			2.2	2.20	114	176	24.99	4.1	2.30			130	154	21.93	4.0	2.70	153	131			18.60	3.8	3.10	169	118	16.79	3.7			3.50	192	104	14.77	3.6	3.80	204			98	13.95	3.6			4.00	74	269			19.27	3.4	1.05	GR39 GRF39	2P	88	226	16.22	3.3	1.15	98	203	14.56	3.2	1.20	114	175	12.54	3.1	1.35	121	165	11.79	3.1			1.40	141	142	10.15	3.0	1.50	158	127	9.07			2.9	1.65	185	108	7.75	2.8	1.40	205	97			6.96	2.7	1.55	238	84	6.00	2.6	1.75	254			79	5.64	2.6	1.85	295	68	4.85	2.5	2.10			329	61	4.34	2.4	2.30			386	52	3.70	2.3			2.50			214	90	13.28	1.6	1.25	GR29 GRF29	4P	239			81	11.86	1.6	1.40	280	69	10.13	1.6	1.55	348	56			8.16	1.5	1.85	372	52	7.63	1.4	1.90	431	45	6.59			1.4	2.10	507	38	5.60	1.3	2.30	568	34	5.00	1.3			2.50	665	29	4.27	1.3	2.60	710			27	4.00	1.2	2.80	843	23	3.37			1.2	3.00	302	68	4.73	4.9	1.75	GR29 GRF29	2P	354	58	4.04	4.7	2.40	386	53	3.70	4.6	2.80	440	47	3.25	4.4	3.80	464	44	3.08	4.3	4.20	530	39	2.70	4.2	5.30	588	35	2.43	4.0	5.90	671	31	2.13	3.9	6.30	761	27	1.88	3.7	6.70	856	24	1.67	3.6	7.00	1007	20
61	326	23.37	11	2.30			67	299	21.43	11	2.60			GR79 GRF79	4P	92	211	15.60			1.0	0.85	GR39 GRF39			4P	76					262					18.80		10	2.80		80		249	17.82		10		2.90	92		218		15.60	10		3.20			102			196	14.05	9.4	3.40	36	557	39.88	7.2	1.00	38	523	37.50	7.6	1.00	44	450	32.27	8.3	1.10	50	402	28.83	8.7	1.20	61	327	23.44	8.7	1.60	GR69 GRF69	4P	179			108			7.97			2.6											1.30	72	278	19.89	8.3	2.00	80	251	17.95	8.1	2.20	91	220	15.79	7.8	2.40	96	208	14.91	7.7	2.50	113	177	12.70	7.4	2.80	124	161	11.54	7.2	2.90	143	140	10.00	6.9	3.20	164	121	8.70	6.6	3.40	184	109	7.79	6.4	3.30	38	521	37.30	4.3	0.80	GR59 GRF59						4P	331		58	4.32	2.3			1.95	41	489	35.07	4.9	0.85	47	421	30.18	4.8	1.00	53	376	26.97	4.7	1.10	65	306			21.93	4.6	1.40			77	260	18.60			4.4	1.60	GR69 GRF69											4P	353	55	4.05	2.3	2.00	85	234	16.79	4.3	1.80	97	206	14.77	4.2	2.00	103	195	13.95	4.2	2.10	120	166	11.88	4.0	2.30	133	151	10.79	3.9	2.40	153	131	9.35			3.8	2.70	158	126	9.06			3.8	2.80	179	111	7.97			3.7	3.00	108	185	26.31			4.2			2.20			GR59 GRF59			2P	419	46			3.41	2.2	2.20	114	176	24.99	4.1			2.30	130	154	21.93	4.0	2.70	153			131	18.60	3.8	3.10	169	118	16.79			3.7	3.50	192	104	14.77	3.6	3.80			204	98	13.95			3.6	4.00	74			269	19.27	3.4			1.05	GR39 GRF39	2P	88	226	16.22	3.3	1.15	98	203	14.56	3.2	1.20	114	175	12.54	3.1	1.35	121			165	11.79	3.1	1.40	141	142	10.15	3.0	1.50			158	127	9.07	2.9	1.65	185	108	7.75	2.8			1.40	205	97	6.96	2.7	1.55	238	84	6.00			2.6	1.75	254	79	5.64	2.6	1.85	295	68			4.85	2.5	2.10	329	61			4.34	2.4	2.30	386			52			3.70	2.3	2.50	214	90			13.28			1.6	1.25	GR29 GRF29	4P	239	81	11.86	1.6	1.40	280	69			10.13	1.6	1.55	348	56	8.16	1.5	1.85	372	52	7.63			1.4	1.90	431	45	6.59	1.4	2.10	507	38	5.60	1.3			2.30	568	34	5.00	1.3	2.50	665			29	4.27	1.3	2.60	710	27	4.00			1.2	2.80	843	23	3.37	1.2	3.00			302	68	4.73	4.9	1.75	GR29 GRF29	2P	354	58	4.04	4.7	2.40	386	53	3.70	4.6	2.80	440	47	3.25	4.4	3.80	464	44	3.08	4.3	4.20	530	39	2.70	4.2	5.30	588	35	2.43	4.0	5.90	671	31	2.13	3.9	6.30	761	27	1.88	3.7	6.70
67	299	21.43	11	2.60	GR79 GRF79	4P	92	211	15.60	1.0	0.85	GR39 GRF39	4P																																																																																																																																																																																																																																																																																																																																																																																																																																																																																																																																																						
76	262	18.80	10	2.80			80	249	17.82	10	2.90					92	218	15.60			10	3.20					102		196	14.05		9.4		3.40	36		557		39.88	7.2		1.00		38	523		37.50		7.6	1.00		44		450	32.27		8.3			1.10			50	402	28.83	8.7	1.20	61	327	23.44	8.7	1.60	GR69 GRF69	4P	179	108	7.97	2.6	1.30	72	278	19.89	8.3	2.00	80	251	17.95	8.1	2.20	91	220			15.79			7.8			2.40			96					208	14.91					7.7	2.50	113	177	12.70	7.4	2.80	124	161	11.54	7.2	2.90	143	140	10.00	6.9	3.20	164	121	8.70	6.6	3.40	184	109	7.79	6.4	3.30	38	521	37.30	4.3	0.80	GR59 GRF59	4P	331	58	4.32	2.3	1.95	41	489	35.07	4.9	0.85	47	421	30.18	4.8	1.00	53	376						26.97		4.7	1.10	65	306	21.93	4.6	1.40	77	260	18.60	4.4	1.60	GR69 GRF69	4P	353	55	4.05	2.3	2.00	85	234	16.79	4.3	1.80	97	206	14.77	4.2	2.00	103			195	13.95	4.2			2.10	120													166	11.88	4.0	2.30	133	151	10.79	3.9	2.40	153	131	9.35	3.8	2.70	158	126	9.06	3.8	2.80	179	111	7.97	3.7	3.00	108	185	26.31	4.2	2.20	GR59 GRF59	2P	419	46	3.41	2.2	2.20	114	176	24.99	4.1	2.30	130	154	21.93	4.0	2.70	153			131	18.60	3.8	3.10	169			118			16.79							3.7	3.50			192	104	14.77	3.6	3.80	204	98			13.95	3.6	4.00	74	269	19.27	3.4			1.05	GR39 GRF39	2P	88	226	16.22	3.3			1.15	98	203	14.56	3.2	1.20	114			175	12.54	3.1			1.35	121	165			11.79	3.1	1.40			141			142	10.15	3.0	1.50	158	127	9.07	2.9	1.65	185	108	7.75	2.8	1.40	205	97	6.96	2.7	1.55	238	84	6.00	2.6	1.75	254	79	5.64			2.6	1.85	295	68	4.85	2.5	2.10	329	61			4.34	2.4	2.30	386	52	3.70	2.3	2.50	214			90	13.28	1.6	1.25	GR29 GRF29	4P	239	81	11.86			1.6	1.40	280	69	10.13			1.6	1.55	348	56			8.16			1.5	1.85	372	52	7.63			1.4			1.90	431			45	6.59	1.4	2.10	507	38	5.60			1.3	2.30	568	34	5.00	1.3	2.50	665	29	4.27	1.3			2.60	710	27	4.00	1.2	2.80	843	23	3.37	1.2	3.00			302	68	4.73	4.9	1.75	GR29 GRF29	2P			354	58	4.04	4.7	2.40	386	53			3.70	4.6	2.80	440	47	3.25	4.4			3.80	464	44	3.08	4.3			4.20	530	39	2.70	4.2	5.30	588	35	2.43	4.0	5.90	671	31	2.13	3.9	6.30	761	27	1.88	3.7	6.70	856	24	1.67	3.6	7.00	1007	20	1.42	3.4	7.30									
80	249	17.82	10	2.90			92	218	15.60	10	3.20					102	196	14.05			9.4	3.40		36	557		39.88		7.2	1.00		38		523	37.50		7.6		1.00	44		450		32.27	8.3		1.10		50	402		28.83		8.7	1.20		61			327			23.44	8.7	1.60	GR69 GRF69	4P	179	108	7.97	2.6	1.30			72	278	19.89	8.3	2.00	80	251	17.95	8.1	2.20	91	220	15.79	7.8	2.40	96	208			14.91			7.7			2.50			113				177	12.70	7.4	2.80				124	161	11.54	7.2	2.90	143	140	10.00	6.9	3.20	164	121	8.70	6.6	3.40	184	109	7.79	6.4	3.30	38	521	37.30	4.3	0.80	GR59 GRF59	4P	331	58	4.32	2.3	1.95			41	489	35.07	4.9	0.85	47	421	30.18	4.8	1.00	53	376	26.97	4.7	1.10	65	306			21.93	4.6		1.40		77	260	18.60	4.4	1.60	GR69 GRF69	4P	353	55	4.05	2.3	2.00			85	234	16.79	4.3	1.80	97	206	14.77	4.2	2.00	103	195	13.95	4.2	2.10	120	166	11.88	4.0	2.30	133			151	10.79													3.9	2.40	153	131	9.35	3.8	2.70	158	126	9.06	3.8	2.80	179	111	7.97	3.7	3.00	108	185	26.31	4.2	2.20	GR59 GRF59	2P	419	46	3.41	2.2	2.20			114	176	24.99	4.1	2.30	130	154	21.93	4.0	2.70	153	131	18.60	3.8	3.10	169	118	16.79	3.7	3.50	192	104	14.77			3.6			3.80							204	98			13.95	3.6	4.00	74	269	19.27	3.4			1.05	GR39 GRF39	2P	88	226	16.22	3.3			1.15			98	203	14.56	3.2			1.20	114	175	12.54	3.1	1.35	121			165	11.79	3.1			1.40	141	142			10.15	3.0	1.50			158			127	9.07	2.9	1.65	185	108	7.75	2.8	1.40	205	97	6.96	2.7	1.55	238	84	6.00	2.6	1.75	254	79	5.64	2.6	1.85	295	68	4.85	2.5	2.10	329	61	4.34	2.4	2.30	386	52	3.70	2.3			2.50	214	90	13.28	1.6	1.25	GR29 GRF29	4P	239			81	11.86	1.6	1.40			280	69	10.13			1.6	1.55	348	56	8.16			1.5	1.85	372	52			7.63			1.4	1.90	431	45	6.59			1.4			2.10	507			38	5.60	1.3	2.30	568	34	5.00			1.3	2.50	665	29	4.27	1.3	2.60	710	27	4.00	1.2			2.80	843	23	3.37	1.2	3.00	302	68	4.73	4.9	1.75			GR29 GRF29	2P	354	58	4.04					4.7	2.40	386	53	3.70	4.6	2.80			440	47	3.25	4.4	3.80	464	44			3.08	4.3	4.20	530	39			2.70	4.2	5.30	588	35	2.43	4.0	5.90	671	31	2.13	3.9	6.30	761	27	1.88	3.7	6.70	856	24	1.67	3.6	7.00	1007	20	1.42	3.4	7.30												
92	218	15.60	10	3.20			102	196	14.05	9.4	3.40					36	557	39.88	7.2	1.00	38	523		37.50	7.6		1.00		44	450		32.27		8.3	1.10		50		402	28.83		8.7		1.20	61		327		23.44	8.7		1.60		GR69 GRF69	4P		179			108			7.97	2.6	1.30			72	278	19.89	8.3	2.00			80	251	17.95	8.1	2.20	91	220	15.79	7.8	2.40	96	208	14.91	7.7	2.50	113	177			12.70			7.4			2.80			124			161	11.54	7.2	2.90	143	140			10.00	6.9	3.20	164	121	8.70	6.6	3.40	184	109	7.79	6.4	3.30	38	521	37.30	4.3	0.80	GR59 GRF59	4P	331	58	4.32	2.3	1.95			41	489	35.07	4.9	0.85			47	421	30.18	4.8	1.00	53	376	26.97	4.7	1.10	65	306	21.93	4.6	1.40	77	260		18.60	4.4	1.60	GR69 GRF69	4P		353	55	4.05	2.3	2.00			85	234	16.79	4.3	1.80			97	206	14.77	4.2	2.00	103	195	13.95	4.2	2.10	120	166	11.88	4.0	2.30	133	151	10.79	3.9	2.40	153	131	9.35	3.8	2.70													158	126	9.06	3.8	2.80	179	111	7.97	3.7	3.00	108	185	26.31	4.2	2.20	GR59 GRF59	2P	419	46	3.41	2.2	2.20			114	176	24.99	4.1	2.30			130	154	21.93	4.0	2.70	153	131	18.60	3.8	3.10	169	118	16.79	3.7	3.50	192	104	14.77	3.6	3.80	204	98	13.95	3.6	4.00	74			269							19.27	3.4			1.05	GR39 GRF39	2P	88	226	16.22	3.3			1.15			98	203	14.56	3.2			1.20			114	175	12.54	3.1			1.35	121	165	11.79	3.1	1.40	141			142	10.15	3.0			1.50	158	127			9.07	2.9	1.65			185			108	7.75	2.8	1.40	205	97	6.96	2.7	1.55	238	84	6.00	2.6	1.75	254	79	5.64	2.6	1.85	295	68	4.85	2.5	2.10	329	61	4.34	2.4	2.30	386	52	3.70	2.3	2.50	214	90	13.28	1.6	1.25	GR29 GRF29	4P	239	81	11.86	1.6	1.40			280			69	10.13	1.6	1.55			348	56	8.16			1.5	1.85	372	52	7.63			1.4	1.90	431	45			6.59			1.4	2.10	507	38	5.60			1.3			2.30	568			34	5.00	1.3	2.50	665	29	4.27			1.3	2.60	710	27	4.00	1.2	2.80	843	23	3.37	1.2			3.00	302	68	4.73	4.9	1.75	GR29 GRF29	2P	354	58	4.04					4.7	2.40	386					53	3.70	4.6	2.80	440	47	3.25			4.4	3.80	464	44	3.08	4.3	4.20			530	39	2.70	4.2	5.30			588	35	2.43	4.0	5.90	671	31	2.13	3.9	6.30	761	27	1.88	3.7	6.70	856	24	1.67	3.6	7.00	1007	20	1.42	3.4	7.30															
102	196	14.05	9.4	3.40			36	557	39.88	7.2	1.00			38	523	37.50	7.6	1.00	44	450	32.27	8.3		1.10	50		402		28.83	8.7		1.20		61	327		23.44		8.7	1.60		GR69 GRF69		4P	179		108		7.97	2.6		1.30					72			278			19.89	8.3	2.00			80	251	17.95	8.1	2.20			91	220	15.79	7.8	2.40	96	208	14.91	7.7	2.50	113	177	12.70	7.4	2.80	124	161			11.54			7.2			2.90			143		140	10.00	6.9	3.20	164	121	8.70	6.6		3.40	184	109	7.79	6.4	3.30	38	521	37.30	4.3	0.80	GR59 GRF59	4P	331	58	4.32	2.3	1.95			41	489	35.07	4.9	0.85			47	421	30.18	4.8	1.00			53	376	26.97	4.7	1.10	65	306	21.93	4.6	1.40	77	260	18.60	4.4	1.60	GR69 GRF69	4P	353	55	4.05	2.3			2.00	85	234	16.79	4.3	1.80			97	206	14.77	4.2	2.00			103	195	13.95	4.2	2.10	120	166	11.88	4.0	2.30	133	151	10.79	3.9	2.40	153	131	9.35	3.8	2.70	158	126	9.06	3.8	2.80		179	111										7.97	3.7	3.00	108	185	26.31	4.2	2.20	GR59 GRF59	2P	419	46	3.41	2.2	2.20			114	176	24.99	4.1	2.30			130	154	21.93	4.0	2.70			153	131	18.60	3.8	3.10	169	118	16.79	3.7	3.50	192	104	14.77	3.6	3.80	204	98	13.95	3.6	4.00	74	269	19.27	3.4	1.05	GR39 GRF39	2P	88	226							16.22	3.3			1.15			98	203	14.56	3.2			1.20			114	175	12.54	3.1			1.35			121	165	11.79	3.1			1.40	141	142	10.15	3.0	1.50	158			127	9.07	2.9			1.65	185	108			7.75	2.8	1.40			205			97	6.96	2.7	1.55	238	84	6.00	2.6	1.75	254	79	5.64	2.6	1.85	295	68	4.85	2.5	2.10	329	61	4.34	2.4	2.30	386	52	3.70	2.3	2.50	214	90	13.28	1.6	1.25	GR29 GRF29	4P	239	81	11.86			1.6	1.40	280	69	10.13			1.6	1.55	348	56	8.16	1.5	1.85			372	52	7.63			1.4	1.90	431	45	6.59			1.4	2.10	507	38			5.60			1.3	2.30	568	34	5.00			1.3			2.50	665			29	4.27	1.3	2.60	710	27	4.00			1.2	2.80	843	23	3.37	1.2	3.00	302	68	4.73	4.9			1.75	GR29 GRF29	2P	354	58	4.04			4.7	2.40	386					53	3.70	4.6					2.80	440	47	3.25	4.4	3.80	464			44	3.08	4.3	4.20	530	39	2.70			4.2	5.30	588	35	2.43			4.0	5.90	671	31	2.13	3.9	6.30	761	27	1.88	3.7	6.70	856	24	1.67	3.6	7.00	1007	20	1.42	3.4	7.30																		
36	557	39.88	7.2	1.00	38	523	37.50	7.6	1.00	44	450			32.27	8.3	1.10	50	402	28.83	8.7	1.20	61		327	23.44		8.7		1.60	GR69 GRF69		4P		179	108		7.97		2.6	1.30					72		278		19.89	8.3		2.00					80			251			17.95	8.1	2.20			91	220	15.79	7.8	2.40			96	208	14.91	7.7	2.50	113	177	12.70	7.4	2.80	124	161	11.54	7.2	2.90	143	140			10.00			6.9			3.20			164	121	8.70	6.6	3.40	184	109	7.79	6.4	3.30	38	521	37.30	4.3	0.80	GR59 GRF59	4P	331	58	4.32	2.3	1.95			41	489	35.07	4.9	0.85			47	421	30.18	4.8	1.00			53	376	26.97	4.7	1.10			65	306	21.93	4.6	1.40	77	260	18.60	4.4	1.60	GR69 GRF69	4P	353	55	4.05			2.3	2.00	85	234			16.79	4.3	1.80	97	206	14.77			4.2	2.00	103	195	13.95			4.2	2.10	120	166	11.88	4.0	2.30	133	151	10.79	3.9	2.40	153	131	9.35	3.8	2.70	158	126	9.06	3.8	2.80	179	111	7.97		3.7	3.00				108	185					26.31	4.2	2.20	GR59 GRF59	2P	419	46	3.41			2.2	2.20	114	176	24.99			4.1	2.30	130	154	21.93			4.0	2.70	153	131	18.60			3.8	3.10	169	118	16.79	3.7	3.50	192	104	14.77	3.6	3.80	204	98	13.95	3.6	4.00	74	269	19.27	3.4	1.05	GR39 GRF39	2P	88			226	16.22	3.3	1.15					98	203			14.56			3.2	1.20	114	175			12.54			3.1	1.35	121	165			11.79			3.1	1.40	141	142			10.15	3.0	1.50	158	127	9.07	2.9			1.65	185	108			7.75	2.8	1.40			205	97	6.96			2.7			1.55	238	84	6.00	2.6	1.75	254	79	5.64	2.6	1.85	295	68	4.85	2.5	2.10	329	61	4.34	2.4	2.30	386	52	3.70	2.3	2.50	214	90	13.28	1.6	1.25	GR29 GRF29	4P	239			81	11.86	1.6			1.40	280	69	10.13	1.6			1.55	348	56	8.16	1.5	1.85	372			52	7.63	1.4	1.90	431	45	6.59	1.4	2.10	507			38	5.60	1.3	2.30			568			34	5.00	1.3	2.50	665			29			4.27	1.3			2.60	710	27	4.00	1.2	2.80	843			23	3.37	1.2	3.00	302	68	4.73	4.9	1.75	GR29 GRF29	2P			354			58	4.04	4.7			2.40	386	53					3.70	4.6	2.80					440	47	3.25	4.4	3.80	464	44			3.08	4.3	4.20	530	39	2.70	4.2			5.30	588	35	2.43	4.0			5.90	671	31	2.13	3.9	6.30	761	27	1.88	3.7	6.70	856	24	1.67	3.6	7.00	1007	20	1.42	3.4	7.30																			
38	523	37.50	7.6	1.00	44	450	32.27	8.3	1.10	50	402			28.83	8.7	1.20	61	327	23.44	8.7	1.60	GR69 GRF69		4P	179		108		7.97					2.6	1.30		72		278	19.89					8.3		2.00		80	251		17.95					8.1			2.20	91	220	15.79	7.8	2.40			96	208	14.91	7.7	2.50			113	177	12.70	7.4	2.80	124	161	11.54	7.2	2.90	143	140	10.00	6.9	3.20	164	121			8.70			6.6			3.40	184	109	7.79	6.4	3.30	38	521	37.30	4.3	0.80	GR59 GRF59	4P	331	58	4.32	2.3	1.95			41	489	35.07	4.9	0.85			47	421	30.18	4.8	1.00			53	376	26.97	4.7	1.10			65	306	21.93	4.6	1.40	77	260	18.60	4.4	1.60	GR69 GRF69	4P	353	55	4.05	2.3	2.00			85	234	16.79			4.3	1.80	97	206			14.77	4.2	2.00	103	195	13.95			4.2	2.10	120	166	11.88			4.0	2.30	133	151	10.79	3.9	2.40	153	131	9.35	3.8	2.70	158	126	9.06	3.8	2.80	179	111	7.97	3.7	3.00	108	185	26.31		4.2	2.20			GR59 GRF59	2P	419	46				3.41	2.2	2.20			114	176	24.99			4.1	2.30	130	154	21.93			4.0	2.70	153	131	18.60			3.8	3.10	169	118	16.79			3.7	3.50	192	104	14.77	3.6	3.80	204	98	13.95	3.6	4.00	74	269	19.27	3.4	1.05	GR39 GRF39	2P	88	226	16.22			3.3			1.15	98	203	14.56		3.2	1.20		114	175	12.54	3.1	1.35			121	165	11.79	3.1			1.40			141	142	10.15	3.0			1.50			158	127	9.07	2.9			1.65	185	108	7.75	2.8	1.40	205			97	6.96	2.7			1.55	238	84			6.00	2.6	1.75			254			79	5.64	2.6	1.85	295	68	4.85	2.5	2.10	329	61	4.34	2.4	2.30	386	52	3.70	2.3	2.50	214	90	13.28	1.6	1.25	GR29 GRF29	4P	239	81	11.86	1.6	1.40			280			69	10.13	1.6			1.55	348	56	8.16	1.5			1.85	372	52	7.63	1.4	1.90	431			45	6.59	1.4	2.10	507	38	5.60	1.3	2.30	568	34	5.00	1.3	2.50	665	29	4.27	1.3	2.60			710	27	4.00	1.2	2.80			843			23	3.37			1.2	3.00	302	68	4.73	4.9	1.75			GR29 GRF29	2P	354	58	4.04	4.7	2.40	386	53					3.70			4.6	2.80	440			47	3.25	4.4					3.80	464	44					3.08	4.3	4.20	530	39	2.70	4.2			5.30	588	35	2.43	4.0	5.90	671			31	2.13	3.9	6.30	761			27	1.88	3.7	6.70	856	24	1.67	3.6	7.00	1007	20	1.42	3.4	7.30																										
44	450	32.27	8.3	1.10	50	402	28.83	8.7	1.20	61	327			23.44	8.7	1.60	GR69 GRF69	4P	179	108	7.97				2.6		1.30		72					278	19.89		8.3		2.00	80					251		17.95		8.1	2.20		91					220	15.79	7.8	2.40	96	208	14.91	7.7	2.50			113	177	12.70	7.4	2.80			124	161	11.54	7.2	2.90	143	140	10.00	6.9	3.20	164	121	8.70	6.6	3.40	184	109			7.79			6.4	3.30	38	521	37.30	4.3	0.80	GR59 GRF59	4P	331	58	4.32	2.3	1.95			41	489	35.07	4.9	0.85			47	421	30.18	4.8	1.00			53	376	26.97	4.7	1.10			65	306	21.93	4.6	1.40	77	260	18.60	4.4	1.60	GR69 GRF69	4P	353	55	4.05	2.3	2.00			85	234	16.79	4.3	1.80			97	206	14.77			4.2	2.00	103	195			13.95	4.2	2.10	120	166	11.88			4.0	2.30	133	151	10.79			3.9	2.40	153	131	9.35	3.8	2.70	158	126	9.06	3.8	2.80	179	111	7.97	3.7	3.00	108	185	26.31	4.2	2.20	GR59 GRF59	2P	419		46	3.41		2.2			2.20	114	176			24.99	4.1	2.30			130	154	21.93			4.0	2.70	153	131	18.60			3.8	3.10	169	118	16.79			3.7	3.50	192	104	14.77			3.6	3.80	204	98	13.95	3.6	4.00	74	269	19.27	3.4	1.05	GR39 GRF39	2P	88	226	16.22			3.3	1.15	98			203			14.56	3.2	1.20	114	175	12.54	3.1	1.35	121	165	11.79	3.1	1.40			141	142	10.15	3.0	1.50	158	127			9.07	2.9	1.65	185			108			7.75	2.8	1.40	205			97	6.96	2.7	1.55	238	84	6.00			2.6	1.75	254			79	5.64	2.6			1.85	295	68			4.85			2.5	2.10	329	61	4.34	2.4	2.30	386	52	3.70	2.3	2.50	214	90	13.28	1.6	1.25	GR29 GRF29	4P	239	81	11.86	1.6	1.40			280	69	10.13	1.6	1.55			348			56	8.16	1.5			1.85	372	52	7.63	1.4			1.90	431	45	6.59	1.4	2.10	507			38	5.60	1.3	2.30	568	34	5.00	1.3	2.50	665	29	4.27	1.3	2.60	710	27	4.00	1.2	2.80	843	23	3.37	1.2	3.00	302	68			4.73	4.9	1.75	GR29 GRF29	2P			354	58	4.04	4.7	2.40	386	53					3.70	4.6	2.80	440	47	3.25	4.4					3.80			464	44	3.08			4.3	4.20	530					39	2.70	4.2					5.30	588	35	2.43	4.0	5.90	671			31	2.13	3.9	6.30	761	27	1.88			3.7	6.70	856	24	1.67			3.6	7.00	1007	20	1.42	3.4	7.30																																	
50	402	28.83	8.7	1.20	61	327	23.44	8.7	1.60	GR69 GRF69	4P			179	108	7.97			2.6	1.30	72				278		19.89		8.3					2.00	80		251		17.95	8.1					2.20		91		220	15.79		7.8	2.40			96	208	14.91	7.7	2.50	113	177	12.70	7.4	2.80			124	161	11.54	7.2	2.90			143	140	10.00	6.9	3.20	164	121	8.70	6.6	3.40	184	109	7.79	6.4	3.30	38	521			37.30	4.3	0.80	GR59 GRF59	4P	331	58	4.32	2.3	1.95			41	489	35.07	4.9	0.85			47	421	30.18	4.8	1.00			53	376	26.97	4.7	1.10			65	306	21.93	4.6	1.40	77	260	18.60	4.4	1.60	GR69 GRF69	4P	353	55	4.05	2.3	2.00			85	234	16.79	4.3	1.80			97	206	14.77	4.2	2.00			103	195	13.95			4.2	2.10	120	166			11.88	4.0	2.30	133	151	10.79			3.9	2.40	153	131	9.35			3.8	2.70	158	126	9.06	3.8	2.80	179	111	7.97	3.7	3.00	108	185	26.31	4.2	2.20	GR59 GRF59	2P	419	46	3.41			2.2		2.20	114	176	24.99			4.1	2.30	130	154		21.93	4.0	2.70			153	131	18.60			3.8	3.10	169	118	16.79			3.7	3.50	192	104	14.77			3.6	3.80	204	98	13.95			3.6	4.00	74	269	19.27	3.4	1.05	GR39 GRF39	2P	88	226	16.22			3.3	1.15	98			203	14.56	3.2			1.20			114	175	12.54	3.1	1.35	121	165	11.79	3.1	1.40	141	142	10.15			3.0	1.50	158	127	9.07	2.9	1.65			185	108	7.75	2.8	1.40	205	97			6.96	2.7	1.55	238			84	6.00	2.6	1.75	254	79	5.64			2.6	1.85	295			68	4.85	2.5			2.10	329	61			4.34			2.4	2.30	386	52	3.70	2.3	2.50	214	90	13.28	1.6	1.25	GR29 GRF29	4P	239	81	11.86			1.6	1.40	280	69	10.13			1.6	1.55	348	56	8.16			1.5			1.85	372	52			7.63	1.4	1.90	431	45			6.59	1.4	2.10	507	38	5.60	1.3			2.30	568	34	5.00	1.3	2.50	665	29	4.27	1.3	2.60	710	27	4.00	1.2	2.80	843	23	3.37	1.2	3.00	302	68	4.73	4.9	1.75	GR29 GRF29	2P	354	58	4.04					4.7	2.40	386	53	3.70	4.6	2.80	440	47			3.25	4.4	3.80	464	44	3.08	4.3					4.20			530	39	2.70			4.2	5.30	588					35	2.43	4.0					5.90	671	31	2.13	3.9	6.30	761			27	1.88	3.7	6.70	856	24	1.67			3.6	7.00	1007	20	1.42			3.4	7.30																																						
61	327	23.44	8.7	1.60	GR69 GRF69	4P	179	108	7.97					2.6	1.30	72			278	19.89	8.3				2.00		80		251					17.95	8.1		2.20		91	220					15.79		7.8	2.40	96	208	14.91	7.7	2.50			113	177	12.70	7.4	2.80	124	161	11.54	7.2	2.90			143	140	10.00	6.9	3.20			164	121	8.70	6.6	3.40	184	109	7.79	6.4	3.30	38	521	37.30	4.3	0.80	GR59 GRF59	4P	331	58	4.32	2.3	1.95			41	489	35.07	4.9	0.85			47	421	30.18	4.8	1.00			53	376	26.97	4.7	1.10			65	306	21.93	4.6	1.40	77	260	18.60	4.4	1.60	GR69 GRF69	4P	353	55	4.05	2.3	2.00			85	234	16.79	4.3	1.80			97	206	14.77	4.2	2.00			103	195	13.95	4.2	2.10			120	166	11.88			4.0	2.30	133	151			10.79	3.9	2.40	153	131	9.35			3.8	2.70	158	126	9.06			3.8	2.80	179	111	7.97	3.7	3.00	108	185	26.31	4.2	2.20	GR59 GRF59	2P	419	46	3.41			2.2	2.20	114			176	24.99	4.1	2.30	130	154			21.93	4.0	2.70	153	131	18.60	3.8	3.10			169	118	16.79			3.7	3.50	192	104	14.77			3.6	3.80	204	98	13.95			3.6	4.00	74	269	19.27	3.4	1.05	GR39 GRF39	2P	88	226	16.22	3.3	1.15			98	203	14.56			3.2	1.20	114			175	12.54	3.1			1.35			121	165	11.79	3.1	1.40	141	142	10.15	3.0	1.50	158	127	9.07			2.9	1.65	185	108	7.75	2.8	1.40			205	97	6.96	2.7	1.55	238	84			6.00	2.6	1.75	254	79	5.64	2.6	1.85	295	68	4.85	2.5	2.10			329	61	4.34			2.4	2.30	386			52	3.70	2.3			2.50			214	90	13.28	1.6	1.25	GR29 GRF29	4P	239	81	11.86	1.6	1.40			280	69	10.13			1.6	1.55	348	56	8.16			1.5	1.85	372	52	7.63			1.4			1.90	431	45			6.59	1.4	2.10	507	38			5.60	1.3	2.30	568	34	5.00	1.3			2.50	665	29	4.27	1.3	2.60	710	27	4.00	1.2	2.80	843	23	3.37	1.2	3.00	302	68	4.73	4.9	1.75	GR29 GRF29	2P	354	58	4.04			4.7	2.40	386			53	3.70	4.6	2.80	440	47	3.25	4.4	3.80	464	44			3.08	4.3	4.20	530	39	2.70	4.2			5.30	588	35			2.43	4.0	5.90			671	31	2.13					3.9	6.30	761					27	1.88	3.7	6.70	856	24	1.67			3.6	7.00	1007	20	1.42	3.4	7.30																																																	
72	278	19.89	8.3	2.00			80	251	17.95					8.1	2.20	91			220	15.79	7.8				2.40		96		208					14.91	7.7		2.50		113	177			12.70		7.4	2.80	124	161	11.54	7.2	2.90	143	140			10.00	6.9	3.20	164	121	8.70	6.6	3.40	184	109			7.79	6.4	3.30	38	521			37.30	4.3	0.80	GR59 GRF59	4P	331	58	4.32	2.3	1.95	41	489	35.07	4.9	0.85			47	421	30.18	4.8	1.00			53	376	26.97	4.7	1.10			65	306	21.93	4.6	1.40			77	260	18.60	4.4	1.60	GR69 GRF69	4P	353	55	4.05	2.3	2.00	85	234	16.79	4.3	1.80			97	206	14.77	4.2	2.00			103	195	13.95	4.2	2.10			120	166	11.88	4.0	2.30			133	151	10.79	3.9	2.40			153	131	9.35			3.8	2.70	158	126			9.06	3.8	2.80	179	111	7.97			3.7	3.00	108	185	26.31			4.2	2.20	GR59 GRF59	2P	419	46	3.41	2.2	2.20	114	176	24.99			4.1	2.30	130			154	21.93	4.0			2.70	153	131	18.60	3.8	3.10			169	118	16.79	3.7	3.50	192	104	14.77			3.6	3.80	204			98	13.95	3.6	4.00	74			269	19.27	3.4	1.05	GR39 GRF39	2P	88	226	16.22	3.3	1.15	98	203	14.56			3.2	1.20	114	175	12.54			3.1	1.35	121			165	11.79	3.1			1.40	141	142			10.15			3.0	1.50	158	127	9.07	2.9	1.65	185	108	7.75	2.8	1.40	205			97	6.96	2.7	1.55	238	84	6.00			2.6	1.75	254	79	5.64	2.6	1.85			295	68	4.85	2.5	2.10	329	61	4.34	2.4	2.30	386	52	3.70	2.3	2.50	214	90	13.28			1.6	1.25	GR29 GRF29			4P	239	81			11.86			1.6	1.40	280	69	10.13			1.6	1.55	348	56	8.16			1.5	1.85	372			52	7.63	1.4	1.90	431			45	6.59	1.4	2.10	507			38			5.60	1.3	2.30			568	34	5.00	1.3	2.50			665	29	4.27	1.3	2.60	710	27			4.00	1.2	2.80	843	23	3.37	1.2	3.00	302	68	4.73	4.9	1.75	GR29 GRF29	2P	354	58	4.04	4.7	2.40	386			53	3.70	4.6			2.80	440	47			3.25	4.4	3.80	464	44	3.08	4.3	4.20	530	39	2.70			4.2	5.30	588	35	2.43	4.0	5.90			671	31	2.13			3.9	6.30	761			27	1.88	3.7	6.70	856			24	1.67	3.6					7.00	1007	20	1.42	3.4	7.30																																																											
80	251	17.95	8.1	2.20			91	220	15.79					7.8	2.40	96			208	14.91	7.7				2.50		113		177					12.70	7.4		2.80	124	161	11.54	7.2		2.90		143	140	10.00	6.9	3.20	164	121	8.70	6.6			3.40	184	109	7.79	6.4	3.30	38	521	37.30	4.3			0.80	GR59 GRF59	4P	331	58	4.32	2.3	1.95	41	489			35.07	4.9	0.85	47	421	30.18	4.8	1.00	53	376			26.97	4.7	1.10	65	306			21.93	4.6	1.40	77	260			18.60	4.4	1.60	GR69 GRF69	4P	353	55	4.05	2.3	2.00	85	234			16.79	4.3	1.80	97	206	14.77	4.2	2.00	103	195			13.95	4.2	2.10	120	166			11.88	4.0	2.30	133	151			10.79	3.9	2.40	153	131			9.35	3.8	2.70	158	126			9.06	3.8	2.80			179	111	7.97	3.7			3.00	108	185	26.31	4.2	2.20			GR59 GRF59	2P	419	46	3.41	2.2	2.20	114	176			24.99	4.1	2.30	130	154	21.93	4.0	2.70			153	131	18.60			3.8	3.10	169			118	16.79	3.7	3.50	192	104			14.77	3.6	3.80	204	98	13.95	3.6	4.00			74	269	19.27			3.4	1.05	GR39 GRF39	2P	88	226	16.22	3.3	1.15	98	203			14.56	3.2	1.20	114	175	12.54	3.1	1.35			121	165	11.79	3.1	1.40			141	142	10.15			3.0	1.50	158			127	9.07	2.9			1.65			185	108	7.75	2.8	1.40	205	97	6.96	2.7	1.55	238	84	6.00			2.6	1.75	254	79	5.64	2.6	1.85			295	68	4.85	2.5	2.10	329	61			4.34	2.4	2.30	386	52	3.70	2.3	2.50	214	90	13.28	1.6	1.25	GR29 GRF29	4P	239	81	11.86	1.6	1.40	280	69					10.13	1.6			1.55			348	56	8.16	1.5	1.85			372	52	7.63	1.4	1.90			431	45	6.59			1.4	2.10	507	38	5.60			1.3	2.30	568	34	5.00			1.3			2.50	665	29			4.27	1.3	2.60	710	27			4.00	1.2	2.80	843	23	3.37	1.2	3.00	302	68	4.73	4.9	1.75	GR29 GRF29	2P	354	58	4.04	4.7	2.40	386	53			3.70	4.6	2.80	440	47	3.25			4.4	3.80	464			44	3.08	4.3			4.20	530	39	2.70	4.2	5.30	588	35	2.43	4.0	5.90			671	31	2.13	3.9	6.30	761	27			1.88	3.7	6.70			856	24	1.67			3.6	7.00	1007	20	1.42			3.4	7.30																																																																						
91	220	15.79	7.8	2.40			96	208	14.91					7.7	2.50	113			177	12.70	7.4				2.80		124		161				11.54	7.2	2.90	143	140	10.00	6.9	3.20	164		121		8.70	6.6	3.40	184	109	7.79	6.4	3.30	38			521	37.30	4.3	0.80	GR59 GRF59	4P	331	58	4.32	2.3	1.95	41	489			35.07	4.9	0.85	47	421	30.18	4.8			1.00	53	376	26.97	4.7	1.10	65	306	21.93	4.6			1.40	77	260	18.60	4.4			1.60	GR69 GRF69	4P	353	55	4.05	2.3	2.00	85	234			16.79	4.3	1.80	97	206	14.77	4.2			2.00	103	195	13.95	4.2	2.10	120	166	11.88	4.0			2.30	133	151	10.79	3.9			2.40	153	131	9.35	3.8			2.70	158	126	9.06	3.8			2.80	179	111	7.97	3.7			3.00	108	185			26.31	4.2	2.20	GR59 GRF59			2P	419	46	3.41	2.2	2.20	114	176			24.99	4.1	2.30	130	154	21.93	4.0			2.70	153	131	18.60	3.8	3.10	169	118			16.79	3.7	3.50			192	104	14.77			3.6	3.80	204	98	13.95	3.6			4.00	74	269	19.27	3.4	1.05	GR39 GRF39	2P			88	226	16.22	3.3	1.15	98	203			14.56	3.2	1.20	114	175	12.54	3.1			1.35	121	165	11.79	3.1	1.40	141	142			10.15	3.0	1.50	158	127			9.07	2.9	1.65			185	108	7.75			2.8	1.40	205			97			6.96	2.7	1.55	238	84	6.00	2.6	1.75	254	79	5.64	2.6	1.85			295	68	4.85	2.5	2.10	329	61			4.34	2.4	2.30	386	52	3.70	2.3			2.50	214	90	13.28	1.6	1.25	GR29 GRF29	4P	239	81	11.86	1.6	1.40			280	69	10.13	1.6	1.55	348	56		8.16	1.5		1.85	372			52			7.63	1.4	1.90	431	45			6.59	1.4	2.10	507	38			5.60	1.3	2.30			568	34	5.00	1.3	2.50			665	29	4.27	1.3	2.60			710			27	4.00	1.2			2.80	843	23	3.37	1.2	3.00	302	68	4.73	4.9	1.75	GR29 GRF29	2P	354	58	4.04	4.7	2.40	386	53			3.70	4.6	2.80	440	47	3.25	4.4			3.80	464	44	3.08	4.3	4.20			530	39	2.70			4.2	5.30	588			35	2.43	4.0	5.90	671	31	2.13	3.9	6.30	761	27			1.88	3.7	6.70	856	24	1.67	3.6			7.00	1007	20			1.42	3.4	7.30																																																																																	
96	208	14.91	7.7	2.50			113	177	12.70					7.4	2.80	124			161	11.54	7.2				2.90		143	140	10.00		6.9		3.20	164	121	8.70	6.6	3.40	184	109	7.79		6.4		3.30	38	521	37.30	4.3	0.80	GR59 GRF59	4P	331	58	4.32	2.3	1.95	41	489			35.07	4.9	0.85	47	421	30.18	4.8			1.00	53	376	26.97	4.7	1.10	65			306	21.93	4.6	1.40	77	260	18.60	4.4	1.60	GR69 GRF69			4P	353	55	4.05	2.3	2.00	85	234			16.79	4.3	1.80	97	206	14.77	4.2			2.00	103	195	13.95	4.2	2.10	120			166	11.88	4.0	2.30	133	151	10.79	3.9	2.40	153			131	9.35	3.8	2.70	158			126	9.06	3.8	2.80	179			111	7.97	3.7	3.00	108			185	26.31	4.2	2.20	GR59 GRF59			2P	419	46			3.41	2.2	2.20		114	176		24.99	4.1	2.30	130	154	21.93	4.0			2.70	153	131	18.60	3.8	3.10	169			118	16.79	3.7	3.50	192	104	14.77	3.6			3.80	204	98			13.95	3.6	4.00			74	269	19.27	3.4	1.05	GR39 GRF39			2P	88	226	16.22	3.3	1.15			98	203	14.56	3.2	1.20	114	175	12.54	3.1			1.35	121	165	11.79	3.1	1.40	141			142	10.15	3.0	1.50	158	127	9.07	2.9			1.65	185	108	7.75	2.8			1.40	205	97			6.96	2.7	1.55			238	84	6.00			2.6			1.75	254	79	5.64	2.6	1.85	295	68	4.85	2.5	2.10	329	61			4.34	2.4	2.30	386	52	3.70	2.3			2.50	214	90	13.28	1.6	1.25	GR29 GRF29			4P	239	81	11.86	1.6	1.40			280	69	10.13	1.6	1.55			348	56	8.16	1.5	1.85	372	52		7.63	1.4		1.90	431	45	6.59	1.4			2.10	507	38	5.60	1.3			2.30	568	34	5.00	1.3			2.50	665	29			4.27	1.3	2.60	710	27			4.00	1.2	2.80	843	23			3.37			1.2	3.00	302	68	4.73	4.9	1.75	GR29 GRF29	2P	354	58	4.04	4.7	2.40	386	53			3.70	4.6	2.80	440	47	3.25	4.4			3.80	464	44	3.08	4.3	4.20	530			39	2.70	4.2	5.30	588	35			2.43	4.0	5.90			671	31	2.13			3.9	6.30	761	27	1.88	3.7	6.70	856	24	1.67	3.6			7.00	1007	20	1.42	3.4	7.30																																																																																												
113	177	12.70	7.4	2.80			124	161	11.54					7.2	2.90	143			140	10.00	6.9		3.20		164	121	8.70	6.6	3.40		184		109	7.79	6.4	3.30	38	521	37.30	4.3	0.80	GR59 GRF59	4P	331	58	4.32	2.3	1.95	41	489			35.07	4.9	0.85	47	421	30.18	4.8			1.00	53	376	26.97	4.7	1.10	65			306	21.93	4.6	1.40	77	260	18.60			4.4	1.60	GR69 GRF69	4P	353	55	4.05	2.3	2.00		85	234		16.79	4.3	1.80	97	206	14.77	4.2			2.00	103	195	13.95	4.2	2.10	120			166	11.88	4.0	2.30	133	151	10.79			3.9	2.40	153	131	9.35	3.8	2.70	158	126	9.06			3.8	2.80	179	111	7.97			3.7	3.00	108	185	26.31			4.2	2.20	GR59 GRF59	2P	419			46	3.41	2.2	2.20					114	176	24.99	4.1	2.30	130	154		21.93	4.0		2.70	153	131	18.60	3.8	3.10	169			118	16.79	3.7	3.50	192	104	14.77			3.6	3.80	204	98	13.95	3.6	4.00	74			269	19.27	3.4			1.05	GR39 GRF39	2P			88	226	16.22	3.3	1.15		98	203		14.56	3.2	1.20	114	175			12.54	3.1	1.35	121	165	11.79	3.1	1.40	141			142	10.15	3.0	1.50	158	127	9.07			2.9	1.65	185	108	7.75	2.8	1.40	205			97	6.96	2.7	1.55	238			84	6.00	2.6			1.75	254	79			5.64	2.6	1.85			295			68	4.85	2.5	2.10	329	61	4.34	2.4	2.30	386	52	3.70	2.3			2.50	214	90	13.28	1.6	1.25	GR29 GRF29			4P	239	81	11.86	1.6	1.40					280	69	10.13	1.6	1.55			348	56	8.16	1.5	1.85			372	52	7.63	1.4	1.90	431	45		6.59	1.4		2.10	507	38	5.60	1.3	2.30	568	34	5.00	1.3	2.50	665			29	4.27	1.3	2.60	710			27	4.00	1.2			2.80	843	23	3.37	1.2			3.00	302	68	4.73	4.9			1.75	GR29 GRF29	2P	354	58	4.04	4.7	2.40	386	53			3.70	4.6	2.80	440	47	3.25	4.4			3.80	464	44	3.08	4.3	4.20	530			39	2.70	4.2	5.30	588	35	2.43			4.0	5.90	671	31	2.13	3.9			6.30	761	27			1.88	3.7	6.70			856	24	1.67	3.6	7.00	1007	20	1.42	3.4	7.30																																																																																																					
124	161	11.54	7.2	2.90			143	140	10.00			6.9	3.20	164	121	8.70			6.6	3.40	184		109		7.79	6.4	3.30	38	521	37.30	4.3	0.80	GR59 GRF59	4P	331	58	4.32	2.3	1.95	41	489			35.07	4.9	0.85	47	421	30.18	4.8			1.00	53	376	26.97	4.7	1.10	65			306	21.93	4.6	1.40	77	260	18.60			4.4	1.60	GR69 GRF69	4P	353	55	4.05	2.3	2.00	85	234			16.79	4.3	1.80	97	206		14.77	4.2		2.00	103	195	13.95	4.2	2.10	120			166	11.88	4.0	2.30	133	151	10.79			3.9	2.40	153	131	9.35	3.8	2.70			158	126	9.06	3.8	2.80	179	111	7.97	3.7	3.00			108	185	26.31	4.2	2.20			GR59 GRF59	2P	419	46	3.41			2.2	2.20			114			176	24.99	4.1	2.30		130	154		21.93	4.0	2.70	153	131	18.60	3.8		3.10	169		118	16.79	3.7	3.50	192	104	14.77			3.6	3.80	204	98	13.95	3.6	4.00			74	269	19.27	3.4	1.05	GR39 GRF39	2P	88			226	16.22	3.3			1.15			98	203	14.56	3.2	1.20	114	175		12.54	3.1		1.35	121	165	11.79	3.1			1.40	141	142	10.15	3.0	1.50	158	127	9.07			2.9	1.65	185	108	7.75	2.8	1.40			205	97	6.96	2.7	1.55	238	84	6.00			2.6	1.75	254	79	5.64			2.6	1.85	295			68	4.85	2.5			2.10	329	61			4.34			2.4	2.30	386	52	3.70	2.3	2.50	214	90	13.28	1.6	1.25	GR29 GRF29			4P	239	81	11.86	1.6	1.40					280	69	10.13	1.6	1.55					348	56	8.16	1.5	1.85			372	52	7.63	1.4	1.90			431	45	6.59	1.4	2.10	507	38		5.60	1.3		2.30	568	34	5.00	1.3	2.50	665	29	4.27	1.3	2.60	710			27	4.00	1.2	2.80	843			23	3.37	1.2			3.00	302	68	4.73	4.9			1.75	GR29 GRF29	2P	354	58	4.04	4.7	2.40			386	53	3.70	4.6	2.80	440	47			3.25	4.4	3.80	464	44	3.08	4.3			4.20	530	39	2.70	4.2	5.30	588			35	2.43	4.0	5.90	671	31	2.13			3.9	6.30	761	27	1.88	3.7			6.70	856	24			1.67	3.6	7.00			1007	20	1.42	3.4	7.30																																																																																																										
143	140	10.00	6.9	3.20			164	121	8.70			6.6	3.40	184	109	7.79			6.4	3.30	38	521	37.30	4.3	0.80	GR59 GRF59	4P	331	58	4.32	2.3	1.95			41	489	35.07	4.9	0.85	47	421			30.18	4.8	1.00	53	376	26.97	4.7			1.10	65	306	21.93	4.6	1.40	77			260	18.60	4.4	1.60	GR69 GRF69	4P	353	55	4.05	2.3	2.00			85	234	16.79	4.3	1.80	97	206			14.77	4.2	2.00	103	195		13.95	4.2		2.10	120	166	11.88	4.0	2.30	133			151	10.79	3.9	2.40	153	131	9.35			3.8	2.70	158	126	9.06	3.8	2.80			179	111	7.97	3.7	3.00	108	185	26.31	4.2	2.20			GR59 GRF59	2P	419	46	3.41					2.2	2.20	114			176	24.99			4.1	2.30	130	154	21.93	4.0	2.70		153	131		18.60	3.8	3.10	169	118	16.79	3.7		3.50	192		104	14.77	3.6	3.80	204	98	13.95			3.6	4.00	74	269	19.27	3.4	1.05			GR39 GRF39	2P	88	226	16.22			3.3			1.15	98	203	14.56	3.2	1.20			114	175	12.54	3.1	1.35	121	165		11.79	3.1		1.40	141	142	10.15	3.0			1.50	158	127	9.07	2.9	1.65	185	108	7.75			2.8	1.40	205	97	6.96	2.7	1.55			238	84	6.00	2.6	1.75	254	79	5.64			2.6	1.85	295	68	4.85			2.5	2.10	329			61	4.34	2.4			2.30	386	52			3.70			2.3	2.50	214	90	13.28	1.6	1.25	GR29 GRF29	4P	239	81	11.86					1.6	1.40	280	69	10.13					1.6	1.55	348	56	8.16		1.5	1.85		372	52	7.63	1.4	1.90			431	45	6.59	1.4	2.10			507	38	5.60	1.3	2.30	568	34		5.00	1.3		2.50	665	29	4.27	1.3	2.60	710	27	4.00	1.2	2.80	843			23	3.37	1.2	3.00	302			68	4.73	4.9			1.75	GR29 GRF29	2P	354	58	4.04	4.7	2.40			386	53	3.70	4.6	2.80			440	47	3.25	4.4	3.80	464	44			3.08	4.3	4.20	530	39	2.70	4.2			5.30	588	35	2.43	4.0	5.90	671			31	2.13	3.9	6.30	761	27	1.88			3.7	6.70	856	24	1.67	3.6			7.00	1007	20			1.42	3.4	7.30																																																																																																																	
164	121	8.70	6.6	3.40			184	109	7.79			6.4	3.30	38	521	37.30	4.3	0.80	GR59 GRF59	4P	331	58	4.32	2.3	1.95			41	489	35.07	4.9	0.85			47	421	30.18	4.8	1.00	53	376			26.97	4.7	1.10	65	306	21.93	4.6			1.40	77	260	18.60	4.4	1.60	GR69 GRF69	4P	353	55	4.05	2.3	2.00			85	234	16.79	4.3	1.80			97	206	14.77	4.2	2.00	103	195			13.95	4.2	2.10	120	166		11.88	4.0		2.30	133	151	10.79	3.9	2.40	153			131	9.35	3.8	2.70	158	126	9.06			3.8	2.80	179	111	7.97	3.7	3.00			108	185	26.31	4.2	2.20	GR59 GRF59	2P	419	46	3.41					2.2	2.20	114					176	24.99	4.1	2.30	130	154	21.93			4.0	2.70	153	131	18.60	3.8	3.10		169	118		16.79	3.7	3.50	192	104	14.77	3.6		3.80	204		98	13.95	3.6	4.00	74	269	19.27			3.4	1.05	GR39 GRF39	2P	88	226	16.22					3.3	1.15	98			203	14.56	3.2	1.20	114	175	12.54	3.1	1.35			121	165	11.79	3.1	1.40	141	142		10.15	3.0		1.50	158	127	9.07	2.9			1.65	185	108	7.75	2.8	1.40	205	97	6.96			2.7	1.55	238	84	6.00	2.6	1.75			254	79	5.64	2.6	1.85	295	68	4.85			2.5	2.10	329	61	4.34			2.4	2.30	386			52	3.70	2.3			2.50	214	90			13.28			1.6	1.25	GR29 GRF29	4P	239	81	11.86			1.6	1.40	280					69	10.13	1.6	1.55	348		56	8.16		1.5	1.85	372	52	7.63		1.4	1.90		431	45	6.59	1.4	2.10			507	38	5.60	1.3	2.30			568	34	5.00	1.3	2.50	665	29		4.27	1.3		2.60	710	27	4.00	1.2	2.80	843	23	3.37	1.2	3.00	302			68	4.73	4.9	1.75	GR29 GRF29			2P	354	58	4.04	4.7	2.40			386	53	3.70	4.6	2.80			440	47	3.25	4.4	3.80			464	44	3.08	4.3	4.20	530	39			2.70	4.2	5.30	588	35	2.43	4.0			5.90	671	31	2.13	3.9	6.30	761			27	1.88	3.7	6.70	856	24	1.67			3.6	7.00	1007	20	1.42	3.4			7.30																																																																																																																								
184	109	7.79	6.4	3.30			38	521	37.30	4.3	0.80	GR59 GRF59	4P	331	58	4.32	2.3	1.95			41	489	35.07	4.9	0.85			47	421	30.18	4.8	1.00			53	376	26.97	4.7	1.10	65	306			21.93	4.6	1.40	77	260	18.60	4.4	1.60	GR69 GRF69	4P	353	55	4.05	2.3	2.00			85	234	16.79	4.3	1.80			97	206	14.77	4.2	2.00			103	195	13.95	4.2	2.10	120	166			11.88	4.0	2.30	133	151		10.79	3.9		2.40	153	131	9.35	3.8	2.70	158			126	9.06	3.8	2.80	179	111	7.97			3.7	3.00	108	185	26.31	4.2	2.20			GR59 GRF59	2P	419	46	3.41			2.2	2.20	114					176	24.99	4.1	2.30	130			154	21.93	4.0	2.70	153	131	18.60			3.8	3.10	169	118	16.79	3.7	3.50		192	104		14.77	3.6	3.80	204	98	13.95	3.6		4.00	74		269	19.27	3.4	1.05	GR39 GRF39	2P	88			226	16.22			3.3	1.15	98	203	14.56			3.2	1.20	114			175	12.54	3.1	1.35	121	165	11.79	3.1	1.40			141	142	10.15	3.0	1.50	158	127		9.07	2.9		1.65	185	108	7.75	2.8			1.40	205	97	6.96	2.7	1.55	238	84	6.00			2.6	1.75	254	79	5.64	2.6	1.85			295	68	4.85	2.5	2.10	329	61	4.34			2.4	2.30	386	52	3.70			2.3	2.50	214			90	13.28	1.6			1.25	GR29 GRF29	4P			239			81	11.86			1.6	1.40	280			69	10.13	1.6		1.55	348		56	8.16	1.5	1.85	372		52	7.63		1.4	1.90	431	45	6.59		1.4	2.10		507	38	5.60	1.3	2.30			568	34	5.00	1.3	2.50			665	29	4.27	1.3	2.60	710	27		4.00	1.2		2.80	843	23	3.37	1.2	3.00	302	68	4.73	4.9	1.75	GR29 GRF29			2P	354	58	4.04		4.7	2.40		386	53	3.70	4.6	2.80			440	47	3.25	4.4	3.80			464	44	3.08	4.3	4.20			530	39	2.70	4.2	5.30	588	35			2.43	4.0	5.90	671	31	2.13	3.9			6.30	761	27	1.88	3.7	6.70	856			24	1.67	3.6	7.00	1007	20	1.42			3.4	7.30																																																																																																																															
38	521	37.30	4.3	0.80	GR59 GRF59	4P	331	58	4.32	2.3	1.95			41	489	35.07	4.9	0.85			47	421	30.18	4.8	1.00			53	376	26.97	4.7	1.10			65	306	21.93	4.6	1.40	77	260	18.60	4.4	1.60	GR69 GRF69	4P	353	55	4.05	2.3	2.00			85	234	16.79	4.3	1.80			97	206	14.77	4.2	2.00			103	195	13.95	4.2	2.10			120	166	11.88	4.0	2.30	133	151			10.79	3.9	2.40	153	131		9.35	3.8		2.70	158	126	9.06	3.8	2.80	179			111	7.97	3.7	3.00	108	185	26.31			4.2	2.20	GR59 GRF59	2P	419	46	3.41					2.2	2.20	114			176	24.99	4.1	2.30	130			154	21.93	4.0	2.70	153			131	18.60	3.8	3.10	169	118	16.79			3.7	3.50	192	104	14.77	3.6	3.80		204	98		13.95	3.6	4.00	74	269	19.27	3.4		1.05	GR39 GRF39		2P	88	226	16.22			3.3	1.15	98	203	14.56			3.2	1.20	114	175	12.54			3.1	1.35	121			165	11.79	3.1	1.40	141	142	10.15	3.0	1.50			158	127	9.07	2.9	1.65	185	108		7.75	2.8		1.40	205	97	6.96	2.7			1.55	238	84	6.00	2.6	1.75	254	79	5.64			2.6	1.85	295	68	4.85	2.5	2.10			329	61	4.34	2.4	2.30	386	52	3.70			2.3	2.50	214	90	13.28			1.6	1.25	GR29 GRF29			4P	239	81			11.86					1.6	1.40	280	69	10.13			1.6	1.55	348			56	8.16	1.5		1.85	372		52	7.63	1.4	1.90	431		45	6.59		1.4	2.10	507	38	5.60		1.3	2.30		568	34	5.00	1.3	2.50			665	29	4.27	1.3	2.60			710	27	4.00	1.2	2.80	843	23		3.37	1.2		3.00	302	68	4.73	4.9	1.75	GR29 GRF29	2P	354	58	4.04		4.7	2.40		386	53	3.70		4.6	2.80		440	47	3.25	4.4	3.80			464	44	3.08	4.3	4.20			530	39	2.70	4.2	5.30			588	35	2.43	4.0	5.90	671	31			2.13	3.9	6.30	761	27	1.88	3.7			6.70	856	24	1.67	3.6	7.00	1007			20	1.42	3.4	7.30																																																																																																																																						
41	489	35.07	4.9	0.85			47	421	30.18	4.8	1.00			53	376	26.97	4.7	1.10			65	306	21.93	4.6	1.40			77	260	18.60	4.4	1.60	GR69 GRF69	4P	353	55	4.05	2.3	2.00	85	234	16.79	4.3	1.80			97	206	14.77	4.2	2.00			103	195	13.95	4.2	2.10			120	166	11.88	4.0	2.30			133	151	10.79	3.9	2.40			153	131	9.35	3.8	2.70	158	126			9.06	3.8	2.80	179	111		7.97	3.7		3.00	108	185	26.31	4.2	2.20	GR59 GRF59			2P	419	46	3.41	2.2	2.20	114			176	24.99			4.1	2.30	130	154	21.93			4.0	2.70	153			131	18.60	3.8	3.10	169			118	16.79	3.7	3.50	192			104	14.77	3.6	3.80	204	98	13.95			3.6	4.00	74	269	19.27	3.4	1.05		GR39 GRF39	2P		88	226	16.22	3.3	1.15	98	203	14.56	3.2		1.20		114	175	12.54			3.1	1.35	121	165	11.79			3.1	1.40	141	142	10.15			3.0	1.50	158			127	9.07	2.9	1.65	185	108	7.75	2.8	1.40			205	97	6.96	2.7	1.55	238	84		6.00	2.6		1.75	254	79	5.64	2.6			1.85	295	68	4.85	2.5	2.10	329	61	4.34			2.4	2.30	386	52	3.70	2.3	2.50			214	90	13.28	1.6	1.25	GR29 GRF29	4P	239			81	11.86	1.6	1.40	280			69	10.13					1.6	1.55			348			56	8.16	1.5	1.85	372	52	7.63			1.4	1.90	431			45	6.59	1.4		2.10	507		38	5.60	1.3	2.30	568		34	5.00		1.3	2.50	665	29	4.27		1.3	2.60		710	27	4.00	1.2	2.80			843	23	3.37	1.2	3.00			302	68	4.73	4.9	1.75	GR29 GRF29	2P	354	58	4.04	4.7	2.40	386	53	3.70	4.6	2.80			440	47	3.25		4.4	3.80		464	44	3.08		4.3	4.20		530	39	2.70	4.2	5.30			588	35	2.43	4.0	5.90			671	31	2.13	3.9	6.30			761	27	1.88	3.7	6.70	856	24			1.67	3.6	7.00	1007	20	1.42	3.4			7.30																																																																																																																																																		
47	421	30.18	4.8	1.00			53	376	26.97	4.7	1.10			65	306	21.93	4.6	1.40			77	260	18.60	4.4	1.60	GR69 GRF69	4P	353	55	4.05	2.3	2.00			85	234	16.79	4.3	1.80	97	206	14.77	4.2	2.00			103	195	13.95	4.2	2.10			120	166	11.88	4.0	2.30			133	151	10.79	3.9	2.40			153	131	9.35	3.8	2.70			158	126	9.06	3.8	2.80	179	111			7.97	3.7	3.00	108	185		26.31	4.2		2.20	GR59 GRF59	2P	419	46	3.41					2.2	2.20	114	176	24.99	4.1	2.30	130	154	21.93			4.0	2.70	153	131	18.60			3.8	3.10	169			118	16.79	3.7	3.50	192			104	14.77	3.6	3.80	204			98	13.95	3.6	4.00	74	269	19.27			3.4	1.05	GR39 GRF39	2P	88	226	16.22	3.3			1.15	98	203	14.56	3.2	1.20	114	175	12.54	3.1		1.35		121	165	11.79			3.1	1.40	141	142	10.15			3.0	1.50	158	127	9.07			2.9	1.65	185			108	7.75	2.8	1.40	205	97	6.96	2.7	1.55			238	84	6.00	2.6	1.75	254	79		5.64	2.6		1.85	295	68	4.85	2.5			2.10	329	61	4.34	2.4	2.30	386	52	3.70			2.3	2.50	214	90	13.28	1.6	1.25			GR29 GRF29	4P	239	81	11.86			1.6			1.40	280	69	10.13	1.6			1.55	348					56	8.16	1.5	1.85	372			52	7.63	1.4	1.90	431	45	6.59			1.4	2.10	507			38	5.60	1.3		2.30	568		34	5.00	1.3	2.50	665		29	4.27		1.3	2.60	710	27	4.00		1.2	2.80		843	23	3.37	1.2	3.00			302	68	4.73	4.9	1.75	GR29 GRF29	2P	354	58	4.04	4.7	2.40			386	53	3.70	4.6	2.80	440	47	3.25	4.4	3.80			464	44	3.08		4.3	4.20		530	39	2.70		4.2	5.30		588	35	2.43	4.0	5.90			671	31	2.13	3.9	6.30			761	27	1.88	3.7	6.70			856	24	1.67	3.6	7.00	1007	20			1.42	3.4	7.30																																																																																																																																																									
53	376	26.97	4.7	1.10			65	306	21.93	4.6	1.40			77	260	18.60	4.4	1.60	GR69 GRF69	4P	353	55	4.05	2.3	2.00			85	234	16.79	4.3	1.80			97	206	14.77	4.2	2.00	103	195	13.95	4.2	2.10			120	166	11.88	4.0	2.30			133	151	10.79	3.9	2.40			153	131	9.35	3.8	2.70			158	126	9.06	3.8	2.80			179	111	7.97	3.7	3.00	108	185			26.31	4.2	2.20	GR59 GRF59	2P		419	46		3.41			2.2	2.20	114		176	24.99		4.1	2.30	130	154	21.93	4.0	2.70	153	131	18.60			3.8	3.10	169	118	16.79			3.7	3.50	192			104	14.77	3.6	3.80	204			98	13.95	3.6	4.00	74			269	19.27	3.4	1.05	GR39 GRF39	2P	88	226	16.22	3.3	1.15			98	203	14.56	3.2			1.20	114	175	12.54	3.1	1.35	121	165	11.79	3.1		1.40		141	142	10.15			3.0	1.50	158	127	9.07			2.9	1.65	185	108	7.75			2.8	1.40	205			97	6.96	2.7	1.55	238	84	6.00	2.6	1.75			254	79	5.64	2.6	1.85	295	68		4.85	2.5		2.10	329	61	4.34	2.4			2.30	386	52	3.70	2.3	2.50	214	90	13.28			1.6	1.25	GR29 GRF29	4P	239	81	11.86					1.6	1.40	280			69			10.13	1.6	1.55	348	56			8.16	1.5		1.85	372		52	7.63	1.4	1.90	431			45	6.59	1.4	2.10	507	38	5.60			1.3	2.30	568			34	5.00	1.3		2.50	665		29	4.27	1.3	2.60	710		27	4.00		1.2	2.80	843	23	3.37		1.2	3.00		302	68	4.73	4.9	1.75	GR29 GRF29	2P	354	58	4.04	4.7	2.40			386	53	3.70	4.6	2.80			440	47	3.25	4.4	3.80	464	44	3.08	4.3	4.20			530	39	2.70		4.2	5.30		588	35	2.43		4.0	5.90		671	31	2.13	3.9	6.30			761	27	1.88	3.7	6.70			856	24	1.67	3.6	7.00			1007	20	1.42	3.4	7.30																																																																																																																																																																
65	306	21.93	4.6	1.40			77	260	18.60	4.4	1.60	GR69 GRF69	4P	353	55	4.05	2.3	2.00			85	234	16.79	4.3	1.80			97	206	14.77	4.2	2.00			103	195	13.95	4.2	2.10	120	166	11.88	4.0	2.30			133	151	10.79	3.9	2.40			153	131	9.35	3.8	2.70			158	126	9.06	3.8	2.80			179	111	7.97	3.7	3.00			108	185	26.31	4.2	2.20	GR59 GRF59	2P			419	46	3.41			2.2	2.20	114	176	24.99			4.1	2.30	130		154	21.93		4.0	2.70	153	131	18.60	3.8	3.10	169	118	16.79			3.7	3.50	192	104	14.77			3.6	3.80	204			98	13.95	3.6	4.00	74			269	19.27	3.4	1.05	GR39 GRF39	2P	88	226	16.22	3.3	1.15			98	203	14.56	3.2	1.20			114	175	12.54	3.1			1.35	121	165	11.79	3.1	1.40	141	142	10.15	3.0		1.50		158	127	9.07			2.9	1.65	185	108	7.75			2.8	1.40	205	97	6.96			2.7	1.55	238			84	6.00	2.6	1.75	254	79	5.64	2.6	1.85			295	68	4.85	2.5	2.10	329	61		4.34	2.4		2.30	386	52	3.70	2.3			2.50	214	90	13.28	1.6	1.25	GR29 GRF29	4P	239			81	11.86			1.6	1.40	280					69	10.13	1.6			1.55			348	56	8.16	1.5	1.85	372	52	7.63	1.4		1.90	431		45	6.59	1.4	2.10	507			38	5.60	1.3	2.30	568	34	5.00			1.3	2.50	665			29	4.27	1.3		2.60	710		27	4.00	1.2	2.80	843		23	3.37		1.2	3.00	302	68	4.73	4.9	1.75	GR29 GRF29	2P	354	58	4.04	4.7	2.40			386	53	3.70	4.6	2.80			440	47	3.25	4.4	3.80			464	44	3.08	4.3	4.20	530	39	2.70	4.2	5.30			588	35	2.43		4.0	5.90		671	31	2.13		3.9	6.30		761	27	1.88	3.7	6.70			856	24	1.67	3.6	7.00			1007	20	1.42	3.4	7.30																																																																																																																																																																							
77	260	18.60	4.4	1.60	GR69 GRF69	4P	353	55	4.05	2.3	2.00			85	234	16.79	4.3	1.80			97	206	14.77	4.2	2.00			103	195	13.95	4.2	2.10			120	166	11.88	4.0	2.30	133	151	10.79	3.9	2.40			153	131	9.35	3.8	2.70			158	126	9.06	3.8	2.80			179	111	7.97	3.7	3.00			108	185	26.31	4.2	2.20			GR59 GRF59	2P	419	46	3.41			2.2	2.20	114	176	24.99			4.1	2.30	130	154	21.93			4.0	2.70	153		131	18.60		3.8	3.10	169	118	16.79	3.7	3.50	192	104	14.77			3.6	3.80	204	98	13.95			3.6	4.00	74			269	19.27	3.4	1.05	GR39 GRF39	2P	88	226	16.22	3.3	1.15			98	203	14.56	3.2	1.20			114	175	12.54	3.1	1.35			121	165	11.79	3.1			1.40	141	142	10.15	3.0	1.50	158	127	9.07	2.9		1.65		185	108	7.75			2.8	1.40	205	97	6.96			2.7	1.55	238	84	6.00			2.6	1.75	254			79	5.64	2.6	1.85	295	68	4.85	2.5	2.10			329	61	4.34	2.4	2.30	386	52		3.70	2.3		2.50	214	90	13.28	1.6			1.25	GR29 GRF29	4P	239	81	11.86			1.6			1.40	280			69	10.13	1.6					1.55	348	56			8.16	1.5	1.85	372	52	7.63	1.4	1.90	431	45	6.59	1.4		2.10	507		38	5.60	1.3	2.30	568			34	5.00	1.3	2.50	665	29	4.27			1.3	2.60	710			27	4.00	1.2		2.80	843		23	3.37	1.2	3.00	302	68	4.73	4.9	1.75	GR29 GRF29	2P	354	58	4.04	4.7	2.40			386	53	3.70	4.6	2.80			440	47	3.25	4.4	3.80			464	44	3.08	4.3	4.20			530	39	2.70	4.2	5.30	588	35	2.43	4.0	5.90			671	31	2.13		3.9	6.30		761	27	1.88		3.7	6.70		856	24	1.67	3.6	7.00			1007	20	1.42	3.4	7.30																																																																																																																																																																														
85	234	16.79	4.3	1.80			97	206	14.77	4.2	2.00			103	195	13.95	4.2	2.10			120	166	11.88	4.0	2.30			133	151	10.79	3.9	2.40			153	131	9.35	3.8	2.70	158	126	9.06	3.8	2.80			179	111	7.97	3.7	3.00			108	185	26.31	4.2	2.20			GR59 GRF59	2P	419	46	3.41			2.2	2.20	114	176	24.99	4.1	2.30			130	154	21.93			4.0	2.70	153	131	18.60			3.8	3.10	169	118	16.79			3.7	3.50	192		104	14.77		3.6	3.80	204	98	13.95	3.6	4.00	74	269	19.27			3.4	1.05	GR39 GRF39	2P	88			226	16.22	3.3	1.15	98	203	14.56	3.2	1.20			114	175	12.54	3.1	1.35			121	165	11.79	3.1	1.40			141	142	10.15	3.0	1.50			158	127	9.07	2.9			1.65	185	108	7.75	2.8	1.40	205	97	6.96	2.7		1.55		238	84	6.00			2.6	1.75	254	79	5.64			2.6	1.85	295	68	4.85			2.5	2.10	329			61	4.34	2.4	2.30	386	52	3.70	2.3	2.50			214	90	13.28	1.6	1.25	GR29 GRF29	4P		239	81		11.86	1.6	1.40	280	69			10.13			1.6	1.55	348			56			8.16	1.5			1.85	372	52	7.63	1.4			1.90	431	45			6.59	1.4	2.10	507	38	5.60	1.3	2.30	568	34	5.00	1.3		2.50	665		29	4.27	1.3	2.60	710			27	4.00	1.2	2.80	843	23	3.37			1.2	3.00	302			68	4.73	4.9	1.75	GR29 GRF29	2P	354	58	4.04	4.7	2.40	386	53	3.70	4.6	2.80			440	47	3.25	4.4	3.80			464	44	3.08	4.3	4.20			530	39	2.70	4.2	5.30			588	35	2.43	4.0	5.90			671	31	2.13	3.9	6.30	761	27	1.88	3.7	6.70			856	24	1.67		3.6	7.00		1007	20	1.42		3.4	7.30																																																																																																																																																																																											
97	206	14.77	4.2	2.00			103	195	13.95	4.2	2.10			120	166	11.88	4.0	2.30			133	151	10.79	3.9	2.40			153	131	9.35	3.8	2.70			158	126	9.06	3.8	2.80	179	111	7.97	3.7	3.00			108	185	26.31	4.2	2.20			GR59 GRF59	2P	419	46	3.41					2.2	2.20	114	176	24.99	4.1	2.30	130	154	21.93	4.0	2.70			153	131	18.60			3.8	3.10	169	118	16.79			3.7	3.50	192	104	14.77			3.6	3.80	204		98	13.95		3.6	4.00	74	269	19.27	3.4	1.05	GR39 GRF39	2P	88			226	16.22			3.3	1.15	98	203	14.56	3.2	1.20	114	175	12.54	3.1	1.35			121	165	11.79	3.1	1.40			141	142	10.15	3.0	1.50			158	127	9.07	2.9	1.65			185	108	7.75	2.8			1.40	205	97	6.96	2.7	1.55	238	84	6.00	2.6		1.75		254	79	5.64			2.6	1.85	295	68	4.85			2.5	2.10	329	61	4.34			2.4	2.30	386			52	3.70	2.3	2.50	214	90	13.28	1.6	1.25			GR29 GRF29	4P	239	81	11.86				1.6	1.40		280	69	10.13	1.6	1.55			348			56	8.16	1.5			1.85	372	52	7.63	1.4			1.90	431	45	6.59	1.4			2.10	507	38			5.60	1.3	2.30	568	34	5.00	1.3	2.50	665	29	4.27	1.3		2.60	710		27	4.00	1.2	2.80	843			23	3.37	1.2	3.00	302	68	4.73			4.9	1.75	GR29 GRF29	2P	354	58	4.04	4.7	2.40			386	53	3.70	4.6	2.80	440	47	3.25	4.4	3.80			464	44	3.08	4.3	4.20			530	39	2.70	4.2	5.30			588	35	2.43	4.0	5.90			671	31	2.13	3.9	6.30			761	27	1.88	3.7	6.70	856	24	1.67	3.6	7.00			1007	20	1.42		3.4	7.30																																																																																																																																																																																																		
103	195	13.95	4.2	2.10			120	166	11.88	4.0	2.30			133	151	10.79	3.9	2.40			153	131	9.35	3.8	2.70			158	126	9.06	3.8	2.80			179	111	7.97	3.7	3.00	108	185	26.31	4.2	2.20			GR59 GRF59	2P	419	46	3.41					2.2	2.20	114	176	24.99			4.1	2.30	130	154	21.93	4.0	2.70	153	131	18.60	3.8	3.10			169	118	16.79			3.7	3.50	192	104	14.77			3.6	3.80	204	98	13.95			3.6	4.00	74		269	19.27		3.4	1.05	GR39 GRF39	2P	88	226	16.22			3.3	1.15	98	203	14.56			3.2	1.20	114	175	12.54	3.1	1.35	121	165	11.79	3.1	1.40			141	142	10.15	3.0	1.50			158	127	9.07	2.9	1.65			185	108	7.75	2.8	1.40			205	97	6.96	2.7			1.55	238	84	6.00	2.6	1.75	254	79	5.64	2.6		1.85		295	68	4.85			2.5	2.10	329	61	4.34			2.4	2.30	386	52	3.70			2.3	2.50	214			90	13.28	1.6	1.25	GR29 GRF29	4P	239	81	11.86					1.6	1.40	280				69	10.13		1.6	1.55	348	56	8.16	1.5	1.85	372			52	7.63	1.4			1.90	431	45	6.59	1.4			2.10	507	38	5.60	1.3			2.30	568	34			5.00	1.3	2.50	665	29	4.27	1.3	2.60	710	27	4.00	1.2		2.80	843		23	3.37	1.2	3.00	302			68	4.73	4.9	1.75	GR29 GRF29	2P	354	58	4.04	4.7	2.40			386	53	3.70	4.6	2.80			440	47	3.25	4.4	3.80	464	44	3.08	4.3	4.20			530	39	2.70	4.2	5.30			588	35	2.43	4.0	5.90			671	31	2.13	3.9	6.30			761	27	1.88	3.7	6.70			856	24	1.67	3.6	7.00	1007	20	1.42	3.4	7.30																																																																																																																																																																																																										
120	166	11.88	4.0	2.30			133	151	10.79	3.9	2.40			153	131	9.35	3.8	2.70			158	126	9.06	3.8	2.80			179	111	7.97	3.7	3.00			108	185	26.31	4.2	2.20	GR59 GRF59	2P	419	46	3.41					2.2	2.20	114	176	24.99			4.1	2.30	130	154	21.93			4.0	2.70	153	131	18.60	3.8	3.10	169	118	16.79	3.7	3.50			192	104	14.77			3.6	3.80	204	98	13.95			3.6	4.00	74	269	19.27			3.4	1.05	GR39 GRF39	2P	88	226	16.22	3.3	1.15			98	203	14.56			3.2	1.20	114	175	12.54			3.1	1.35	121	165	11.79	3.1	1.40	141	142	10.15	3.0	1.50			158	127	9.07	2.9	1.65			185	108	7.75	2.8	1.40			205	97	6.96	2.7	1.55			238	84	6.00	2.6			1.75	254	79	5.64	2.6	1.85	295	68	4.85	2.5		2.10		329	61	4.34			2.4	2.30	386	52	3.70			2.3	2.50	214	90	13.28			1.6	1.25	GR29 GRF29			4P	239	81	11.86			1.6	1.40	280					69	10.13	1.6			1.55	348	56	8.16	1.5	1.85	372	52	7.63	1.4	1.90	431			45	6.59	1.4			2.10	507	38	5.60	1.3			2.30	568	34	5.00	1.3			2.50	665	29			4.27	1.3	2.60	710	27	4.00	1.2	2.80	843	23	3.37	1.2		3.00	302		68	4.73	4.9	1.75	GR29 GRF29	2P	354	58	4.04	4.7	2.40			386	53	3.70	4.6	2.80			440	47	3.25	4.4	3.80			464	44	3.08	4.3	4.20	530	39	2.70	4.2	5.30			588	35	2.43	4.0	5.90			671	31	2.13	3.9	6.30			761	27	1.88	3.7	6.70			856	24	1.67	3.6	7.00			1007	20	1.42	3.4	7.30																																																																																																																																																																																																															
133	151	10.79	3.9	2.40			153	131	9.35	3.8	2.70			158	126	9.06	3.8	2.80			179	111	7.97	3.7	3.00			108	185	26.31	4.2	2.20			GR59 GRF59	2P	419	46	3.41			2.2	2.20	114	176	24.99			4.1	2.30	130	154	21.93			4.0	2.70	153	131	18.60			3.8	3.10	169	118	16.79	3.7	3.50	192	104	14.77	3.6	3.80			204	98	13.95			3.6	4.00	74	269	19.27			3.4	1.05	GR39 GRF39	2P	88	226	16.22	3.3	1.15			98	203	14.56	3.2	1.20			114	175	12.54			3.1	1.35	121	165	11.79			3.1	1.40	141	142	10.15	3.0	1.50	158	127	9.07	2.9	1.65			185	108	7.75	2.8	1.40			205	97	6.96	2.7	1.55			238	84	6.00	2.6	1.75			254	79	5.64	2.6			1.85	295	68	4.85	2.5	2.10	329	61	4.34	2.4		2.30		386	52	3.70			2.3	2.50	214	90	13.28			1.6	1.25	GR29 GRF29	4P	239			81	11.86					1.6	1.40	280			69	10.13	1.6	1.55	348			56	8.16	1.5			1.85	372	52	7.63	1.4	1.90	431	45	6.59	1.4	2.10	507			38	5.60	1.3			2.30	568	34	5.00	1.3			2.50	665	29	4.27	1.3			2.60	710	27			4.00	1.2	2.80	843	23	3.37	1.2	3.00	302	68	4.73	4.9	1.75	GR29 GRF29	2P	354	58	4.04	4.7	2.40			386	53	3.70	4.6	2.80			440	47	3.25	4.4	3.80			464	44	3.08	4.3	4.20			530	39	2.70	4.2	5.30	588	35	2.43	4.0	5.90			671	31	2.13	3.9	6.30			761	27	1.88	3.7	6.70			856	24	1.67	3.6	7.00			1007	20	1.42	3.4	7.30																																																																																																																																																																																																																						
153	131	9.35	3.8	2.70			158	126	9.06	3.8	2.80			179	111	7.97	3.7	3.00			108	185	26.31	4.2	2.20			GR59 GRF59	2P	419	46	3.41	2.2	2.20			114	176	24.99			4.1	2.30	130	154	21.93			4.0	2.70	153	131	18.60			3.8	3.10	169	118	16.79			3.7	3.50	192	104	14.77	3.6	3.80	204	98	13.95	3.6	4.00			74	269	19.27			3.4	1.05	GR39 GRF39	2P	88	226	16.22	3.3	1.15			98	203	14.56	3.2	1.20			114	175	12.54	3.1	1.35			121	165	11.79			3.1	1.40	141	142	10.15			3.0	1.50	158	127	9.07	2.9	1.65	185	108	7.75	2.8	1.40			205	97	6.96	2.7	1.55			238	84	6.00	2.6	1.75			254	79	5.64	2.6	1.85			295	68	4.85	2.5			2.10	329	61	4.34	2.4	2.30	386	52	3.70	2.3		2.50		214	90	13.28			1.6	1.25	GR29 GRF29	4P	239			81	11.86			1.6			1.40	280		69	10.13		1.6	1.55	348			56	8.16	1.5	1.85	372			52	7.63	1.4			1.90	431	45	6.59	1.4	2.10	507	38	5.60	1.3	2.30	568			34	5.00	1.3			2.50	665	29	4.27	1.3			2.60	710	27	4.00	1.2			2.80	843	23	3.37	1.2	3.00	302	68	4.73	4.9	1.75	GR29 GRF29	2P	354	58	4.04	4.7	2.40			386	53	3.70	4.6	2.80			440	47	3.25	4.4	3.80			464	44	3.08	4.3	4.20			530	39	2.70	4.2	5.30			588	35	2.43	4.0	5.90	671	31	2.13	3.9	6.30			761	27	1.88	3.7	6.70			856	24	1.67	3.6	7.00			1007	20	1.42	3.4	7.30																																																																																																																																																																																																																													
158	126	9.06	3.8	2.80			179	111	7.97	3.7	3.00			108	185	26.31	4.2	2.20			GR59 GRF59	2P	419	46	3.41	2.2	2.20			114	176	24.99	4.1	2.30			130	154	21.93			4.0	2.70	153	131	18.60			3.8	3.10	169	118	16.79			3.7	3.50	192	104	14.77			3.6	3.80	204	98	13.95	3.6	4.00	74	269	19.27	3.4	1.05			GR39 GRF39	2P	88	226	16.22	3.3	1.15			98	203	14.56	3.2	1.20			114	175	12.54	3.1	1.35			121	165	11.79	3.1	1.40			141	142	10.15			3.0	1.50	158	127	9.07			2.9	1.65	185	108	7.75	2.8	1.40	205	97	6.96	2.7	1.55			238	84	6.00	2.6	1.75			254	79	5.64	2.6	1.85			295	68	4.85	2.5	2.10			329	61	4.34	2.4			2.30	386	52	3.70	2.3	2.50	214	90	13.28	1.6		1.25		GR29 GRF29	4P	239			81	11.86			1.6			1.40	280			69	10.13	1.6	1.55	348		56	8.16		1.5	1.85	372			52	7.63	1.4	1.90	431			45	6.59	1.4			2.10	507	38	5.60	1.3	2.30	568	34	5.00	1.3	2.50	665			29	4.27	1.3			2.60	710	27	4.00	1.2			2.80	843	23	3.37	1.2	3.00	302	68	4.73	4.9	1.75	GR29 GRF29	2P	354	58	4.04	4.7	2.40			386	53	3.70	4.6	2.80			440	47	3.25	4.4	3.80			464	44	3.08	4.3	4.20			530	39	2.70	4.2	5.30			588	35	2.43	4.0	5.90			671	31	2.13	3.9	6.30	761	27	1.88	3.7	6.70			856	24	1.67	3.6	7.00			1007	20	1.42	3.4	7.30																																																																																																																																																																																																																																				
179	111	7.97	3.7	3.00			108	185	26.31	4.2	2.20			GR59 GRF59	2P	419	46	3.41	2.2	2.20			114	176	24.99	4.1	2.30			130	154	21.93	4.0	2.70			153	131	18.60			3.8	3.10	169	118	16.79			3.7	3.50	192	104	14.77			3.6	3.80	204	98	13.95			3.6	4.00	74	269	19.27	3.4	1.05	GR39 GRF39	2P	88	226	16.22	3.3	1.15			98	203	14.56	3.2	1.20			114	175	12.54	3.1	1.35			121	165	11.79	3.1	1.40			141	142	10.15	3.0	1.50			158	127	9.07			2.9	1.65	185	108	7.75			2.8	1.40	205	97	6.96	2.7	1.55	238	84	6.00	2.6	1.75			254	79	5.64	2.6	1.85			295	68	4.85	2.5	2.10			329	61	4.34	2.4	2.30			386	52	3.70	2.3			2.50	214	90	13.28	1.6	1.25	GR29 GRF29	4P	239	81		11.86				1.6			1.40	280			69	10.13	1.6	1.55	348			56	8.16	1.5	1.85	372		52	7.63		1.4	1.90	431			45	6.59	1.4	2.10	507			38	5.60	1.3			2.30	568	34	5.00	1.3	2.50	665	29	4.27	1.3	2.60	710			27	4.00	1.2			2.80	843	23	3.37	1.2	3.00	302	68	4.73	4.9	1.75	GR29 GRF29	2P	354	58	4.04	4.7	2.40			386	53	3.70	4.6	2.80			440	47	3.25	4.4	3.80			464	44	3.08	4.3	4.20			530	39	2.70	4.2	5.30			588	35	2.43	4.0	5.90			671	31	2.13	3.9	6.30			761	27	1.88	3.7	6.70	856	24	1.67	3.6	7.00			1007	20	1.42	3.4	7.30																																																																																																																																																																																																																																											
108	185	26.31	4.2	2.20			GR59 GRF59	2P	419	46	3.41	2.2	2.20			114	176	24.99	4.1	2.30			130	154	21.93	4.0	2.70			153	131	18.60	3.8	3.10			169	118	16.79			3.7	3.50	192	104	14.77			3.6	3.80	204	98	13.95			3.6	4.00	74	269	19.27	3.4	1.05	GR39 GRF39	2P	88	226	16.22	3.3	1.15			98	203	14.56	3.2	1.20			114	175	12.54	3.1	1.35			121	165	11.79	3.1	1.40			141	142	10.15	3.0	1.50			158	127	9.07	2.9	1.65			185	108	7.75			2.8	1.40	205	97	6.96			2.7	1.55	238	84	6.00	2.6	1.75	254	79	5.64	2.6	1.85			295	68	4.85	2.5	2.10			329	61	4.34	2.4	2.30			386	52	3.70	2.3	2.50			214	90	13.28	1.6			1.25	GR29 GRF29	4P	239	81	11.86			1.6	1.40		280				69	10.13	1.6	1.55	348			56	8.16	1.5	1.85	372			52	7.63	1.4	1.90	431		45	6.59		1.4	2.10	507			38	5.60	1.3	2.30	568			34	5.00	1.3			2.50	665	29	4.27	1.3	2.60	710	27	4.00	1.2	2.80	843			23	3.37	1.2	3.00	302	68	4.73	4.9	1.75	GR29 GRF29	2P	354	58	4.04	4.7	2.40			386	53	3.70	4.6	2.80			440	47	3.25	4.4	3.80			464	44	3.08	4.3	4.20			530	39	2.70	4.2	5.30			588	35	2.43	4.0	5.90			671	31	2.13	3.9	6.30			761	27	1.88	3.7	6.70			856	24	1.67	3.6	7.00	1007	20	1.42	3.4	7.30																																																																																																																																																																																																																																																		
114	176	24.99	4.1	2.30	130	154			21.93	4.0	2.70	153	131			18.60	3.8	3.10	169	118			16.79	3.7	3.50	192	104			14.77	3.6	3.80	204	98			13.95	3.6	4.00			74	269	19.27	3.4	1.05			GR39 GRF39	2P	88	226	16.22	3.3	1.15	98	203	14.56	3.2	1.20	114	175			12.54	3.1	1.35	121	165			11.79	3.1	1.40	141	142			10.15	3.0	1.50	158	127			9.07	2.9	1.65	185	108			7.75	2.8	1.40	205	97			6.96	2.7	1.55	238	84			6.00	2.6	1.75			254	79	5.64	2.6	1.85			295	68	4.85	2.5	2.10	329	61	4.34	2.4	2.30	386	52			3.70	2.3	2.50	214	90			13.28	1.6	1.25	GR29 GRF29	4P			239	81	11.86	1.6	1.40			280	69	10.13	1.6			1.55			348	56	8.16			1.5	1.85	372	52	7.63			1.4	1.90	431	45	6.59			1.4	2.10	507	38	5.60			1.3	2.30	568	34	5.00		1.3	2.50		665	29	4.27			1.3	2.60	710	27	4.00			1.2	2.80	843			23	3.37	1.2	3.00	302	68	4.73	4.9	1.75	GR29 GRF29	2P	354	58	4.04	4.7	2.40	386	53	3.70	4.6	2.80	440	47			3.25	4.4	3.80	464	44			3.08	4.3	4.20	530	39			2.70	4.2	5.30	588	35			2.43	4.0	5.90	671	31			2.13	3.9	6.30	761	27			1.88	3.7	6.70	856	24			1.67	3.6	7.00	1007	20			1.42	3.4	7.30																																																																																																																																																																																																																																																																
130	154	21.93	4.0	2.70	153	131			18.60	3.8	3.10	169	118			16.79	3.7	3.50	192	104			14.77	3.6	3.80	204	98			13.95	3.6	4.00	74	269			19.27	3.4	1.05			GR39 GRF39	2P	88	226	16.22	3.3	1.15			98	203	14.56	3.2	1.20	114	175	12.54	3.1	1.35	121	165			11.79	3.1	1.40	141	142			10.15	3.0	1.50	158	127			9.07	2.9	1.65	185	108			7.75	2.8	1.40	205	97			6.96	2.7	1.55	238	84			6.00	2.6	1.75	254	79			5.64	2.6	1.85			295	68	4.85	2.5	2.10			329	61	4.34	2.4	2.30	386	52	3.70	2.3	2.50	214	90			13.28	1.6	1.25	GR29 GRF29	4P			239	81	11.86					1.6	1.40	280	69	10.13			1.6	1.55	348	56	8.16	1.5	1.85			372	52	7.63			1.4	1.90	431	45	6.59			1.4	2.10	507	38	5.60			1.3	2.30	568	34	5.00			1.3	2.50	665	29	4.27		1.3	2.60		710	27	4.00			1.2	2.80	843	23	3.37			1.2	3.00	302	68	4.73	4.9	1.75	GR29 GRF29	2P	354	58	4.04	4.7	2.40			386	53	3.70	4.6	2.80	440	47	3.25	4.4	3.80	464	44			3.08	4.3	4.20	530	39			2.70	4.2	5.30	588	35			2.43	4.0	5.90	671	31			2.13	3.9	6.30	761	27			1.88	3.7	6.70	856	24			1.67	3.6	7.00	1007	20			1.42	3.4	7.30																																																																																																																																																																																																																																																																							
153	131	18.60	3.8	3.10	169	118			16.79	3.7	3.50	192	104			14.77	3.6	3.80	204	98			13.95	3.6	4.00	74	269			19.27	3.4	1.05	GR39 GRF39	2P			88	226	16.22	3.3	1.15			98	203	14.56	3.2	1.20			114	175	12.54	3.1	1.35	121	165	11.79	3.1	1.40	141	142			10.15	3.0	1.50	158	127			9.07	2.9	1.65	185	108			7.75	2.8	1.40	205	97			6.96	2.7	1.55	238	84			6.00	2.6	1.75	254	79			5.64	2.6	1.85	295	68			4.85	2.5	2.10			329	61	4.34	2.4	2.30			386	52	3.70	2.3	2.50	214	90	13.28	1.6	1.25	GR29 GRF29	4P			239	81	11.86					1.6	1.40	280					69	10.13	1.6	1.55	348	56	8.16	1.5	1.85	372	52	7.63	1.4	1.90			431	45	6.59			1.4	2.10	507	38	5.60			1.3	2.30	568	34	5.00			1.3	2.50	665	29	4.27			1.3	2.60	710	27	4.00		1.2	2.80		843	23	3.37			1.2	3.00	302	68	4.73	4.9	1.75	GR29 GRF29	2P	354	58	4.04	4.7	2.40			386	53	3.70	4.6	2.80			440	47	3.25	4.4	3.80	464	44	3.08	4.3	4.20	530	39			2.70	4.2	5.30	588	35			2.43	4.0	5.90	671	31			2.13	3.9	6.30	761	27			1.88	3.7	6.70	856	24			1.67	3.6	7.00	1007	20			1.42	3.4	7.30																																																																																																																																																																																																																																																																														
169	118	16.79	3.7	3.50	192	104			14.77	3.6	3.80	204	98			13.95	3.6	4.00	74	269			19.27	3.4	1.05	GR39 GRF39	2P			88	226	16.22			3.3	1.15	98	203	14.56	3.2	1.20			114	175	12.54	3.1	1.35			121	165	11.79	3.1	1.40	141	142	10.15	3.0	1.50	158	127			9.07	2.9	1.65	185	108			7.75	2.8	1.40	205	97			6.96	2.7	1.55	238	84			6.00	2.6	1.75	254	79			5.64	2.6	1.85	295	68			4.85	2.5	2.10	329	61			4.34	2.4	2.30			386	52	3.70	2.3	2.50			214	90	13.28	1.6	1.25	GR29 GRF29	4P	239	81	11.86					1.6	1.40	280					69	10.13	1.6			1.55	348	56	8.16	1.5	1.85	372	52	7.63	1.4	1.90	431	45	6.59	1.4	2.10			507	38	5.60			1.3	2.30	568	34	5.00			1.3	2.50	665	29	4.27			1.3	2.60	710	27	4.00			1.2	2.80	843	23	3.37		1.2	3.00		302	68	4.73	4.9	1.75	GR29 GRF29	2P	354	58	4.04	4.7	2.40			386	53	3.70	4.6	2.80			440	47	3.25	4.4	3.80			464	44	3.08	4.3	4.20	530	39	2.70	4.2	5.30	588	35			2.43	4.0	5.90	671	31			2.13	3.9	6.30	761	27			1.88	3.7	6.70	856	24			1.67	3.6	7.00	1007	20			1.42	3.4	7.30																																																																																																																																																																																																																																																																																					
192	104	14.77	3.6	3.80	204	98			13.95	3.6	4.00	74	269			19.27	3.4	1.05	GR39 GRF39	2P			88	226	16.22			3.3	1.15	98	203	14.56			3.2	1.20	114	175	12.54	3.1	1.35			121	165	11.79	3.1	1.40			141	142	10.15	3.0	1.50	158	127	9.07	2.9	1.65	185	108			7.75	2.8	1.40	205	97			6.96	2.7	1.55	238	84			6.00	2.6	1.75	254	79			5.64	2.6	1.85	295	68			4.85	2.5	2.10	329	61			4.34	2.4	2.30	386	52			3.70	2.3	2.50			214	90	13.28	1.6	1.25			GR29 GRF29	4P	239	81	11.86			1.6	1.40	280					69	10.13	1.6			1.55	348	56	8.16	1.5			1.85	372	52	7.63	1.4	1.90	431	45	6.59	1.4	2.10	507	38	5.60	1.3	2.30			568	34	5.00			1.3	2.50	665	29	4.27			1.3	2.60	710	27	4.00			1.2	2.80	843	23	3.37			1.2	3.00	302	68	4.73	4.9	1.75	GR29 GRF29	2P	354	58	4.04	4.7	2.40			386	53	3.70	4.6	2.80			440	47	3.25	4.4	3.80			464	44	3.08	4.3	4.20			530	39	2.70	4.2	5.30	588	35	2.43	4.0	5.90	671	31			2.13	3.9	6.30	761	27			1.88	3.7	6.70	856	24			1.67	3.6	7.00	1007	20			1.42	3.4	7.30																																																																																																																																																																																																																																																																																												
204	98	13.95	3.6	4.00	74	269			19.27	3.4	1.05	GR39 GRF39	2P			88	226	16.22			3.3	1.15	98	203	14.56			3.2	1.20	114	175	12.54			3.1	1.35	121	165	11.79	3.1	1.40			141	142	10.15	3.0	1.50			158	127	9.07	2.9	1.65	185	108	7.75	2.8	1.40	205	97			6.96	2.7	1.55	238	84			6.00	2.6	1.75	254	79			5.64	2.6	1.85	295	68			4.85	2.5	2.10	329	61			4.34	2.4	2.30	386	52			3.70	2.3	2.50	214	90			13.28	1.6	1.25			GR29 GRF29	4P	239	81	11.86					1.6	1.40	280			69	10.13	1.6			1.55	348	56	8.16	1.5			1.85	372	52	7.63	1.4			1.90	431	45	6.59	1.4	2.10	507	38	5.60	1.3	2.30	568	34	5.00	1.3	2.50			665	29	4.27			1.3	2.60	710	27	4.00			1.2	2.80	843	23	3.37			1.2	3.00	302	68	4.73	4.9	1.75	GR29 GRF29	2P	354	58	4.04	4.7	2.40			386	53	3.70	4.6	2.80			440	47	3.25	4.4	3.80			464	44	3.08	4.3	4.20			530	39	2.70	4.2	5.30			588	35	2.43	4.0	5.90	671	31	2.13	3.9	6.30	761	27			1.88	3.7	6.70	856	24			1.67	3.6	7.00	1007	20			1.42	3.4	7.30																																																																																																																																																																																																																																																																																																			
74	269	19.27	3.4	1.05	GR39 GRF39	2P			88	226	16.22			3.3	1.15	98	203	14.56			3.2	1.20	114	175	12.54			3.1	1.35	121	165	11.79			3.1	1.40	141	142	10.15	3.0	1.50			158	127	9.07	2.9	1.65			185	108	7.75	2.8	1.40	205	97	6.96	2.7	1.55	238	84			6.00	2.6	1.75	254	79			5.64	2.6	1.85	295	68			4.85	2.5	2.10	329	61			4.34	2.4	2.30	386	52			3.70	2.3	2.50	214	90			13.28	1.6	1.25	GR29 GRF29	4P			239	81	11.86					1.6	1.40	280	69	10.13			1.6	1.55	348			56	8.16	1.5			1.85	372	52	7.63	1.4			1.90	431	45	6.59	1.4			2.10	507	38	5.60	1.3	2.30	568	34	5.00	1.3	2.50	665	29	4.27	1.3	2.60			710	27	4.00			1.2	2.80	843	23	3.37			1.2	3.00	302	68	4.73	4.9	1.75	GR29 GRF29	2P	354	58	4.04	4.7	2.40			386	53	3.70	4.6	2.80			440	47	3.25	4.4	3.80			464	44	3.08	4.3	4.20			530	39	2.70	4.2	5.30			588	35	2.43	4.0	5.90			671	31	2.13	3.9	6.30	761	27	1.88	3.7	6.70	856	24			1.67	3.6	7.00	1007	20			1.42	3.4	7.30																																																																																																																																																																																																																																																																																																										
88	226	16.22	3.3	1.15			98	203	14.56	3.2	1.20			114	175	12.54	3.1	1.35			121	165	11.79	3.1	1.40			141	142	10.15	3.0	1.50			158	127	9.07	2.9	1.65	185	108			7.75	2.8	1.40	205	97			6.96	2.7	1.55	238	84	6.00	2.6	1.75	254	79	5.64	2.6			1.85	295	68	4.85	2.5			2.10	329	61	4.34	2.4			2.30	386	52	3.70	2.3			2.50	214	90	13.28	1.6			1.25	GR29 GRF29	4P	239	81			11.86	1.6	1.40					280	69	10.13	1.6	1.55			348	56	8.16	1.5	1.85			372	52	7.63			1.4	1.90	431			45	6.59	1.4	2.10	507			38	5.60	1.3	2.30	568			34	5.00	1.3	2.50	665	29	4.27	1.3	2.60	710	27	4.00	1.2	2.80	843	23			3.37	1.2	3.00			302	68	4.73	4.9	1.75	GR29 GRF29	2P	354	58	4.04	4.7	2.40	386	53			3.70	4.6	2.80	440	47			3.25	4.4	3.80	464	44			3.08	4.3	4.20	530	39			2.70	4.2	5.30	588	35			2.43	4.0	5.90	671	31			2.13	3.9	6.30	761	27			1.88	3.7	6.70	856	24	1.67	3.6	7.00	1007	20	1.42	3.4			7.30																																																																																																																																																																																																																																																																																																																			
98	203	14.56	3.2	1.20			114	175	12.54	3.1	1.35			121	165	11.79	3.1	1.40			141	142	10.15	3.0	1.50			158	127	9.07	2.9	1.65			185	108	7.75	2.8	1.40	205	97			6.96	2.7	1.55	238	84			6.00	2.6	1.75	254	79	5.64	2.6	1.85	295	68	4.85	2.5			2.10	329	61	4.34	2.4			2.30	386	52	3.70	2.3			2.50	214	90	13.28	1.6			1.25	GR29 GRF29	4P	239	81			11.86			1.6	1.40			280	69	10.13			1.6	1.55	348	56	8.16	1.5	1.85			372	52	7.63	1.4	1.90			431	45	6.59			1.4	2.10	507			38	5.60	1.3	2.30	568			34	5.00	1.3	2.50	665			29	4.27	1.3	2.60	710	27	4.00	1.2	2.80	843	23	3.37	1.2	3.00	302	68			4.73	4.9	1.75	GR29 GRF29	2P	354	58	4.04	4.7	2.40			386	53	3.70	4.6	2.80	440	47			3.25	4.4	3.80	464	44			3.08	4.3	4.20	530	39			2.70	4.2	5.30	588	35			2.43	4.0	5.90	671	31			2.13	3.9	6.30	761	27			1.88	3.7	6.70	856	24			1.67	3.6	7.00	1007	20	1.42	3.4	7.30																																																																																																																																																																																																																																																																																																																										
114	175	12.54	3.1	1.35			121	165	11.79	3.1	1.40			141	142	10.15	3.0	1.50			158	127	9.07	2.9	1.65			185	108	7.75	2.8	1.40			205	97	6.96	2.7	1.55	238	84			6.00	2.6	1.75	254	79			5.64	2.6	1.85	295	68	4.85	2.5	2.10	329	61	4.34	2.4			2.30	386	52	3.70	2.3			2.50	214	90	13.28	1.6			1.25	GR29 GRF29	4P	239	81			11.86			1.6	1.40			280			69	10.13	1.6	1.55	348	56	8.16			1.5	1.85	372	52	7.63	1.4	1.90			431	45	6.59	1.4	2.10			507	38	5.60			1.3	2.30	568			34	5.00	1.3	2.50	665			29	4.27	1.3	2.60	710			27	4.00	1.2	2.80	843	23	3.37	1.2	3.00	302	68	4.73	4.9	1.75	GR29 GRF29	2P	354	58	4.04	4.7	2.40			386	53	3.70	4.6	2.80			440	47	3.25	4.4	3.80	464	44			3.08	4.3	4.20	530	39			2.70	4.2	5.30	588	35			2.43	4.0	5.90	671	31			2.13	3.9	6.30	761	27			1.88	3.7	6.70	856	24			1.67	3.6	7.00	1007	20			1.42	3.4	7.30																																																																																																																																																																																																																																																																																																																															
121	165	11.79	3.1	1.40			141	142	10.15	3.0	1.50			158	127	9.07	2.9	1.65			185	108	7.75	2.8	1.40			205	97	6.96	2.7	1.55			238	84	6.00	2.6	1.75	254	79			5.64	2.6	1.85	295	68			4.85	2.5	2.10	329	61	4.34	2.4	2.30	386	52	3.70	2.3			2.50	214	90	13.28	1.6			1.25	GR29 GRF29	4P	239	81			11.86			1.6	1.40			280			69	10.13	1.6	1.55	348			56	8.16	1.5	1.85	372	52	7.63			1.4	1.90	431	45	6.59	1.4	2.10			507	38	5.60	1.3	2.30			568	34	5.00			1.3	2.50	665			29	4.27	1.3	2.60	710			27	4.00	1.2	2.80	843	23	3.37	1.2	3.00	302	68	4.73	4.9	1.75	GR29 GRF29	2P	354	58	4.04	4.7	2.40			386	53	3.70	4.6	2.80			440	47	3.25	4.4	3.80			464	44	3.08	4.3	4.20	530	39			2.70	4.2	5.30	588	35			2.43	4.0	5.90	671	31			2.13	3.9	6.30	761	27			1.88	3.7	6.70	856	24			1.67	3.6	7.00	1007	20			1.42	3.4	7.30																																																																																																																																																																																																																																																																																																																																						
141	142	10.15	3.0	1.50			158	127	9.07	2.9	1.65			185	108	7.75	2.8	1.40			205	97	6.96	2.7	1.55			238	84	6.00	2.6	1.75			254	79	5.64	2.6	1.85	295	68			4.85	2.5	2.10	329	61			4.34	2.4	2.30	386	52	3.70	2.3	2.50	214	90	13.28	1.6			1.25	GR29 GRF29	4P	239	81			11.86			1.6	1.40			280			69	10.13	1.6	1.55	348			56	8.16	1.5	1.85	372			52	7.63	1.4	1.90	431	45	6.59			1.4	2.10	507	38	5.60	1.3	2.30			568	34	5.00	1.3	2.50			665	29	4.27			1.3	2.60	710			27	4.00	1.2	2.80	843	23	3.37	1.2	3.00	302	68	4.73	4.9	1.75	GR29 GRF29	2P	354	58	4.04	4.7	2.40			386	53	3.70	4.6	2.80			440	47	3.25	4.4	3.80			464	44	3.08	4.3	4.20			530	39	2.70	4.2	5.30	588	35			2.43	4.0	5.90	671	31			2.13	3.9	6.30	761	27			1.88	3.7	6.70	856	24			1.67	3.6	7.00	1007	20			1.42	3.4	7.30																																																																																																																																																																																																																																																																																																																																													
158	127	9.07	2.9	1.65			185	108	7.75	2.8	1.40			205	97	6.96	2.7	1.55			238	84	6.00	2.6	1.75			254	79	5.64	2.6	1.85			295	68	4.85	2.5	2.10	329	61			4.34	2.4	2.30	386	52			3.70	2.3	2.50	214	90	13.28	1.6	1.25	GR29 GRF29	4P	239	81			11.86			1.6	1.40			280			69	10.13	1.6	1.55	348			56	8.16	1.5	1.85	372			52	7.63	1.4	1.90	431			45	6.59	1.4	2.10	507	38	5.60			1.3	2.30	568	34	5.00	1.3	2.50			665	29	4.27	1.3	2.60			710	27	4.00			1.2	2.80	843	23	3.37	1.2	3.00	302	68	4.73	4.9	1.75	GR29 GRF29	2P	354	58	4.04	4.7	2.40			386	53	3.70	4.6	2.80			440	47	3.25	4.4	3.80			464	44	3.08	4.3	4.20			530	39	2.70	4.2	5.30			588	35	2.43	4.0	5.90	671	31			2.13	3.9	6.30	761	27			1.88	3.7	6.70	856	24			1.67	3.6	7.00	1007	20			1.42	3.4	7.30																																																																																																																																																																																																																																																																																																																																																				
185	108	7.75	2.8	1.40			205	97	6.96	2.7	1.55			238	84	6.00	2.6	1.75			254	79	5.64	2.6	1.85			295	68	4.85	2.5	2.10			329	61	4.34	2.4	2.30	386	52			3.70	2.3	2.50	214	90			13.28	1.6	1.25	GR29 GRF29	4P	239	81	11.86			1.6	1.40			280			69	10.13	1.6	1.55	348			56	8.16	1.5	1.85	372			52	7.63	1.4	1.90	431			45	6.59	1.4	2.10	507			38	5.60	1.3	2.30	568	34	5.00			1.3	2.50	665	29	4.27	1.3	2.60			710	27	4.00	1.2	2.80			843	23	3.37	1.2	3.00	302	68	4.73	4.9	1.75	GR29 GRF29	2P	354	58	4.04	4.7	2.40			386	53	3.70	4.6	2.80			440	47	3.25	4.4	3.80			464	44	3.08	4.3	4.20			530	39	2.70	4.2	5.30			588	35	2.43	4.0	5.90			671	31	2.13	3.9	6.30	761	27			1.88	3.7	6.70	856	24			1.67	3.6	7.00	1007	20			1.42	3.4	7.30																																																																																																																																																																																																																																																																																																																																																											
205	97	6.96	2.7	1.55			238	84	6.00	2.6	1.75			254	79	5.64	2.6	1.85			295	68	4.85	2.5	2.10			329	61	4.34	2.4	2.30			386	52	3.70	2.3	2.50	214	90			13.28	1.6	1.25	GR29 GRF29	4P			239	81	11.86			1.6	1.40	280			69	10.13	1.6	1.55	348			56	8.16	1.5	1.85	372			52	7.63	1.4	1.90	431			45	6.59	1.4	2.10	507			38	5.60	1.3	2.30	568			34	5.00	1.3	2.50	665	29	4.27			1.3	2.60	710	27	4.00	1.2	2.80			843	23	3.37	1.2	3.00	302	68	4.73	4.9	1.75	GR29 GRF29	2P	354	58	4.04	4.7	2.40			386	53	3.70	4.6	2.80			440	47	3.25	4.4	3.80			464	44	3.08	4.3	4.20			530	39	2.70	4.2	5.30			588	35	2.43	4.0	5.90			671	31	2.13	3.9	6.30			761	27	1.88	3.7	6.70	856	24			1.67	3.6	7.00	1007	20			1.42	3.4	7.30																																																																																																																																																																																																																																																																																																																																																																		
238	84	6.00	2.6	1.75			254	79	5.64	2.6	1.85			295	68	4.85	2.5	2.10			329	61	4.34	2.4	2.30			386	52	3.70	2.3	2.50			214	90	13.28	1.6	1.25	GR29 GRF29	4P			239	81	11.86			1.6	1.40	280	69	10.13			1.6	1.55	348			56	8.16	1.5	1.85	372			52	7.63	1.4	1.90	431			45	6.59	1.4	2.10	507			38	5.60	1.3	2.30	568			34	5.00	1.3	2.50	665			29	4.27	1.3	2.60	710	27	4.00			1.2	2.80	843	23	3.37	1.2	3.00	302	68	4.73	4.9	1.75	GR29 GRF29	2P	354	58	4.04	4.7	2.40			386	53	3.70	4.6	2.80			440	47	3.25	4.4	3.80			464	44	3.08	4.3	4.20			530	39	2.70	4.2	5.30			588	35	2.43	4.0	5.90			671	31	2.13	3.9	6.30			761	27	1.88	3.7	6.70			856	24	1.67	3.6	7.00	1007	20			1.42	3.4	7.30																																																																																																																																																																																																																																																																																																																																																																									
254	79	5.64	2.6	1.85			295	68	4.85	2.5	2.10			329	61	4.34	2.4	2.30			386	52	3.70	2.3	2.50			214	90	13.28	1.6	1.25			GR29 GRF29	4P	239	81	11.86			1.6	1.40	280	69	10.13			1.6	1.55	348	56	8.16			1.5	1.85	372			52	7.63	1.4	1.90	431			45	6.59	1.4	2.10	507			38	5.60	1.3	2.30	568			34	5.00	1.3	2.50	665			29	4.27	1.3	2.60	710			27	4.00	1.2	2.80	843	23	3.37	1.2	3.00	302	68	4.73	4.9	1.75	GR29 GRF29	2P	354	58	4.04	4.7	2.40			386	53	3.70	4.6	2.80			440	47	3.25	4.4	3.80			464	44	3.08	4.3	4.20			530	39	2.70	4.2	5.30			588	35	2.43	4.0	5.90			671	31	2.13	3.9	6.30			761	27	1.88	3.7	6.70			856	24	1.67	3.6	7.00			1007	20	1.42	3.4	7.30																																																																																																																																																																																																																																																																																																																																																																																
295	68	4.85	2.5	2.10			329	61	4.34	2.4	2.30			386	52	3.70	2.3	2.50			214	90	13.28	1.6	1.25			GR29 GRF29	4P	239	81	11.86	1.6	1.40			280	69	10.13			1.6	1.55	348	56	8.16			1.5	1.85	372	52	7.63			1.4	1.90	431			45	6.59	1.4	2.10	507			38	5.60	1.3	2.30	568			34	5.00	1.3	2.50	665			29	4.27	1.3	2.60	710			27	4.00	1.2	2.80	843	23	3.37	1.2	3.00	302	68	4.73	4.9	1.75	GR29 GRF29	2P	354	58	4.04	4.7	2.40			386	53	3.70	4.6	2.80			440	47	3.25	4.4	3.80			464	44	3.08	4.3	4.20			530	39	2.70	4.2	5.30			588	35	2.43	4.0	5.90			671	31	2.13	3.9	6.30			761	27	1.88	3.7	6.70			856	24	1.67	3.6	7.00			1007	20	1.42	3.4	7.30																																																																																																																																																																																																																																																																																																																																																																																							
329	61	4.34	2.4	2.30			386	52	3.70	2.3	2.50			214	90	13.28	1.6	1.25			GR29 GRF29	4P	239	81	11.86	1.6	1.40			280	69	10.13	1.6	1.55			348	56	8.16			1.5	1.85	372	52	7.63			1.4	1.90	431	45	6.59			1.4	2.10	507			38	5.60	1.3	2.30	568			34	5.00	1.3	2.50	665			29	4.27	1.3	2.60	710			27	4.00	1.2	2.80	843	23	3.37	1.2	3.00	302	68	4.73	4.9	1.75	GR29 GRF29	2P	354	58	4.04	4.7	2.40			386	53	3.70	4.6	2.80			440	47	3.25	4.4	3.80			464	44	3.08	4.3	4.20			530	39	2.70	4.2	5.30			588	35	2.43	4.0	5.90			671	31	2.13	3.9	6.30			761	27	1.88	3.7	6.70			856	24	1.67	3.6	7.00			1007	20	1.42	3.4	7.30																																																																																																																																																																																																																																																																																																																																																																																														
386	52	3.70	2.3	2.50			214	90	13.28	1.6	1.25			GR29 GRF29	4P	239	81	11.86	1.6	1.40			280	69	10.13	1.6	1.55			348	56	8.16	1.5	1.85			372	52	7.63			1.4	1.90	431	45	6.59			1.4	2.10	507	38	5.60			1.3	2.30	568			34	5.00	1.3	2.50	665			29	4.27	1.3	2.60	710			27	4.00	1.2	2.80	843	23	3.37	1.2	3.00	302	68	4.73	4.9	1.75	GR29 GRF29	2P	354	58	4.04	4.7	2.40			386	53	3.70	4.6	2.80			440	47	3.25	4.4	3.80			464	44	3.08	4.3	4.20			530	39	2.70	4.2	5.30			588	35	2.43	4.0	5.90			671	31	2.13	3.9	6.30			761	27	1.88	3.7	6.70			856	24	1.67	3.6	7.00			1007	20	1.42	3.4	7.30																																																																																																																																																																																																																																																																																																																																																																																																					
214	90	13.28	1.6	1.25			GR29 GRF29	4P	239	81	11.86	1.6	1.40			280	69	10.13	1.6	1.55			348	56	8.16	1.5	1.85			372	52	7.63	1.4	1.90			431	45	6.59			1.4	2.10	507	38	5.60			1.3	2.30	568	34	5.00			1.3	2.50	665			29	4.27	1.3	2.60	710			27	4.00	1.2	2.80	843	23	3.37	1.2	3.00	302	68	4.73	4.9	1.75	GR29 GRF29	2P	354	58	4.04	4.7	2.40			386	53	3.70	4.6	2.80			440	47	3.25	4.4	3.80			464	44	3.08	4.3	4.20			530	39	2.70	4.2	5.30			588	35	2.43	4.0	5.90			671	31	2.13	3.9	6.30			761	27	1.88	3.7	6.70			856	24	1.67	3.6	7.00			1007	20	1.42	3.4	7.30																																																																																																																																																																																																																																																																																																																																																																																																												
239	81	11.86	1.6	1.40	280	69			10.13	1.6	1.55	348	56			8.16	1.5	1.85	372	52			7.63	1.4	1.90	431	45			6.59	1.4	2.10	507	38			5.60	1.3	2.30			568	34	5.00	1.3	2.50			665	29	4.27	1.3	2.60			710	27	4.00			1.2	2.80	843	23	3.37	1.2	3.00	302	68	4.73	4.9	1.75	GR29 GRF29	2P	354	58	4.04	4.7	2.40	386	53			3.70	4.6	2.80	440	47			3.25	4.4	3.80	464	44			3.08	4.3	4.20	530	39			2.70	4.2	5.30	588	35			2.43	4.0	5.90	671	31			2.13	3.9	6.30	761	27			1.88	3.7	6.70	856	24			1.67	3.6	7.00	1007	20			1.42	3.4	7.30																																																																																																																																																																																																																																																																																																																																																																																																																					
280	69	10.13	1.6	1.55	348	56			8.16	1.5	1.85	372	52			7.63	1.4	1.90	431	45			6.59	1.4	2.10	507	38			5.60	1.3	2.30	568	34			5.00	1.3	2.50			665	29	4.27	1.3	2.60			710	27	4.00	1.2	2.80			843	23	3.37	1.2	3.00	302	68	4.73	4.9	1.75	GR29 GRF29	2P	354	58	4.04	4.7	2.40			386	53	3.70	4.6	2.80	440	47			3.25	4.4	3.80	464	44			3.08	4.3	4.20	530	39			2.70	4.2	5.30	588	35			2.43	4.0	5.90	671	31			2.13	3.9	6.30	761	27			1.88	3.7	6.70	856	24			1.67	3.6	7.00	1007	20			1.42	3.4	7.30																																																																																																																																																																																																																																																																																																																																																																																																																												
348	56	8.16	1.5	1.85	372	52			7.63	1.4	1.90	431	45			6.59	1.4	2.10	507	38			5.60	1.3	2.30	568	34			5.00	1.3	2.50	665	29			4.27	1.3	2.60			710	27	4.00	1.2	2.80			843	23	3.37	1.2	3.00	302	68	4.73	4.9	1.75	GR29 GRF29	2P	354	58	4.04	4.7	2.40			386	53	3.70	4.6	2.80			440	47	3.25	4.4	3.80	464	44			3.08	4.3	4.20	530	39			2.70	4.2	5.30	588	35			2.43	4.0	5.90	671	31			2.13	3.9	6.30	761	27			1.88	3.7	6.70	856	24			1.67	3.6	7.00	1007	20			1.42	3.4	7.30																																																																																																																																																																																																																																																																																																																																																																																																																																			
372	52	7.63	1.4	1.90	431	45			6.59	1.4	2.10	507	38			5.60	1.3	2.30	568	34			5.00	1.3	2.50	665	29			4.27	1.3	2.60	710	27			4.00	1.2	2.80			843	23	3.37	1.2	3.00	302	68	4.73	4.9	1.75	GR29 GRF29	2P	354	58	4.04	4.7	2.40			386	53	3.70	4.6	2.80			440	47	3.25	4.4	3.80			464	44	3.08	4.3	4.20	530	39			2.70	4.2	5.30	588	35			2.43	4.0	5.90	671	31			2.13	3.9	6.30	761	27			1.88	3.7	6.70	856	24			1.67	3.6	7.00	1007	20			1.42	3.4	7.30																																																																																																																																																																																																																																																																																																																																																																																																																																										
431	45	6.59	1.4	2.10	507	38			5.60	1.3	2.30	568	34			5.00	1.3	2.50	665	29			4.27	1.3	2.60	710	27			4.00	1.2	2.80	843	23			3.37	1.2	3.00	302	68	4.73	4.9	1.75	GR29 GRF29	2P	354	58	4.04	4.7	2.40			386	53	3.70	4.6	2.80			440	47	3.25	4.4	3.80			464	44	3.08	4.3	4.20			530	39	2.70	4.2	5.30	588	35			2.43	4.0	5.90	671	31			2.13	3.9	6.30	761	27			1.88	3.7	6.70	856	24			1.67	3.6	7.00	1007	20			1.42	3.4	7.30																																																																																																																																																																																																																																																																																																																																																																																																																																																	
507	38	5.60	1.3	2.30	568	34			5.00	1.3	2.50	665	29			4.27	1.3	2.60	710	27			4.00	1.2	2.80	843	23			3.37	1.2	3.00	302	68	4.73	4.9	1.75	GR29 GRF29	2P	354	58	4.04	4.7	2.40			386	53	3.70	4.6	2.80			440	47	3.25	4.4	3.80			464	44	3.08	4.3	4.20			530	39	2.70	4.2	5.30			588	35	2.43	4.0	5.90	671	31			2.13	3.9	6.30	761	27			1.88	3.7	6.70	856	24			1.67	3.6	7.00	1007	20			1.42	3.4	7.30																																																																																																																																																																																																																																																																																																																																																																																																																																																								
568	34	5.00	1.3	2.50	665	29			4.27	1.3	2.60	710	27			4.00	1.2	2.80	843	23			3.37	1.2	3.00	302	68	4.73	4.9	1.75	GR29 GRF29	2P	354	58	4.04	4.7	2.40			386	53	3.70	4.6	2.80			440	47	3.25	4.4	3.80			464	44	3.08	4.3	4.20			530	39	2.70	4.2	5.30			588	35	2.43	4.0	5.90			671	31	2.13	3.9	6.30	761	27			1.88	3.7	6.70	856	24			1.67	3.6	7.00	1007	20			1.42	3.4	7.30																																																																																																																																																																																																																																																																																																																																																																																																																																																															
665	29	4.27	1.3	2.60	710	27			4.00	1.2	2.80	843	23			3.37	1.2	3.00	302	68	4.73	4.9	1.75	GR29 GRF29	2P	354	58	4.04	4.7	2.40			386	53	3.70	4.6	2.80			440	47	3.25	4.4	3.80			464	44	3.08	4.3	4.20			530	39	2.70	4.2	5.30			588	35	2.43	4.0	5.90			671	31	2.13	3.9	6.30			761	27	1.88	3.7	6.70	856	24			1.67	3.6	7.00	1007	20			1.42	3.4	7.30																																																																																																																																																																																																																																																																																																																																																																																																																																																																						
710	27	4.00	1.2	2.80	843	23			3.37	1.2	3.00	302	68	4.73	4.9	1.75	GR29 GRF29	2P	354	58	4.04	4.7	2.40			386	53	3.70	4.6	2.80			440	47	3.25	4.4	3.80			464	44	3.08	4.3	4.20			530	39	2.70	4.2	5.30			588	35	2.43	4.0	5.90			671	31	2.13	3.9	6.30			761	27	1.88	3.7	6.70			856	24	1.67	3.6	7.00	1007	20			1.42	3.4	7.30																																																																																																																																																																																																																																																																																																																																																																																																																																																																													
843	23	3.37	1.2	3.00	302	68	4.73	4.9	1.75	GR29 GRF29	2P	354	58	4.04	4.7	2.40			386	53	3.70	4.6	2.80			440	47	3.25	4.4	3.80			464	44	3.08	4.3	4.20			530	39	2.70	4.2	5.30			588	35	2.43	4.0	5.90			671	31	2.13	3.9	6.30			761	27	1.88	3.7	6.70			856	24	1.67	3.6	7.00			1007	20	1.42	3.4	7.30																																																																																																																																																																																																																																																																																																																																																																																																																																																																																				
302	68	4.73	4.9	1.75	GR29 GRF29	2P	354	58	4.04			4.7	2.40	386	53	3.70			4.6	2.80	440	47	3.25			4.4	3.80	464	44	3.08			4.3	4.20	530	39	2.70			4.2	5.30	588	35	2.43			4.0	5.90	671	31	2.13			3.9	6.30	761	27	1.88			3.7	6.70	856	24	1.67			3.6	7.00	1007	20	1.42			3.4	7.30																																																																																																																																																																																																																																																																																																																																																																																																																																																																																							
354	58	4.04	4.7	2.40			386	53	3.70			4.6	2.80	440	47	3.25			4.4	3.80	464	44	3.08			4.3	4.20	530	39	2.70			4.2	5.30	588	35	2.43			4.0	5.90	671	31	2.13			3.9	6.30	761	27	1.88			3.7	6.70	856	24	1.67			3.6	7.00	1007	20	1.42			3.4	7.30																																																																																																																																																																																																																																																																																																																																																																																																																																																																																														
386	53	3.70	4.6	2.80			440	47	3.25			4.4	3.80	464	44	3.08			4.3	4.20	530	39	2.70			4.2	5.30	588	35	2.43			4.0	5.90	671	31	2.13			3.9	6.30	761	27	1.88			3.7	6.70	856	24	1.67			3.6	7.00	1007	20	1.42			3.4	7.30																																																																																																																																																																																																																																																																																																																																																																																																																																																																																																					
440	47	3.25	4.4	3.80			464	44	3.08			4.3	4.20	530	39	2.70			4.2	5.30	588	35	2.43			4.0	5.90	671	31	2.13			3.9	6.30	761	27	1.88			3.7	6.70	856	24	1.67			3.6	7.00	1007	20	1.42			3.4	7.30																																																																																																																																																																																																																																																																																																																																																																																																																																																																																																												
464	44	3.08	4.3	4.20			530	39	2.70			4.2	5.30	588	35	2.43			4.0	5.90	671	31	2.13			3.9	6.30	761	27	1.88			3.7	6.70	856	24	1.67			3.6	7.00	1007	20	1.42			3.4	7.30																																																																																																																																																																																																																																																																																																																																																																																																																																																																																																																			
530	39	2.70	4.2	5.30			588	35	2.43			4.0	5.90	671	31	2.13			3.9	6.30	761	27	1.88			3.7	6.70	856	24	1.67			3.6	7.00	1007	20	1.42			3.4	7.30																																																																																																																																																																																																																																																																																																																																																																																																																																																																																																																										
588	35	2.43	4.0	5.90			671	31	2.13			3.9	6.30	761	27	1.88			3.7	6.70	856	24	1.67			3.6	7.00	1007	20	1.42			3.4	7.30																																																																																																																																																																																																																																																																																																																																																																																																																																																																																																																																	
671	31	2.13	3.9	6.30			761	27	1.88			3.7	6.70	856	24	1.67			3.6	7.00	1007	20	1.42			3.4	7.30																																																																																																																																																																																																																																																																																																																																																																																																																																																																																																																																								
761	27	1.88	3.7	6.70			856	24	1.67			3.6	7.00	1007	20	1.42			3.4	7.30																																																																																																																																																																																																																																																																																																																																																																																																																																																																																																																																															
856	24	1.67	3.6	7.00			1007	20	1.42			3.4	7.30																																																																																																																																																																																																																																																																																																																																																																																																																																																																																																																																																						
1007	20	1.42	3.4	7.30																																																																																																																																																																																																																																																																																																																																																																																																																																																																																																																																																															

选型参数表
(恒功率)
Selection Table
(Constant Power)

n_a [r/min]	M_a [N.m]	i	F_{Ra} [kN]	f_B	机型号 Type size	极数 Pole	n_a [r/min]	M_a [N.m]	i	F_{Ra} [kN]	f_B	机型号 Type size	极数 Pole		
2.2kW							3kW								
379	54	3.77	3.1	1.55	GRX69 GRXF69	4P	2.8	9348	517	35	0.85	GR139R79	4P		
447	46	3.20	3.0	2.10			GRF139R79								
495	41	2.89	2.9	2.50			5.7	4575	253	25	0.95	GR109R79			
563	36	2.54	2.8	3.10			6.7	3869	214	29	1.10	GRF109R79			
596	34	2.40	2.7	3.40			7.6	3381	187	32	1.25	GRF109R79			
701	29	2.04	2.6	4.40			5.6	4629	256	19	0.90	GR109R79 GRF109R79			
769	27	1.86	2.5	4.60			3.2	8533	222.60	48	0.90	GR139 GRF139		8P	
888	23	1.61	2.4	4.80			3.8	7224	188.45	52	1.05				
1021	20	1.40	2.3	5.00			4.1	6686	174.40	53	1.15				
455	45	3.14	2.3	1.40			4.5	5992	156.31	54	1.30				
542	38	2.64	2.2	1.75	5.0	5410	141.12	55	1.40						
603	34	2.37	2.2	1.95	5.5	4914	128.18	55	1.55						
701	29	2.04	2.1	2.30	6.2	4359	113.72	56	1.75						
745	28	1.92	2.0	2.40	6.9	3956	103.20	56	1.95						
867	24	1.65	2.0	2.80	8.0	3400	88.70	57	2.30						
966	21	1.48	1.9	3.10	4.3	6311	222.60	53	1.20						
1135	18	1.26	1.8	3.20	5.1	5343	188.45	55	1.40						
3kW							3kW								
0.62	41949	2320	128	0.85	GR179R109 GRF179R109	4P	5.5	4945	174.40	55	1.50	GR139 GRF139	6P		
0.69	37501	2074	128	0.95			6.1	4432	156.31	56	1.70				
0.77	33758	1867	128	1.05			6.8	4001	141.12	56	1.85				
0.85	30576	1691	128	1.15			7.5	3634	128.18	57	2.00				
0.95	27104	1499	128	1.30			8.4	3224	113.72	57	2.30				
1.1	24501	1355	128	1.40			9.3	2926	103.20	57	2.50				
1.3	20414	1129	128	1.60			6.0	4499	158.68	21	0.90			GR109 GRF109	6P
1.3	19275	1066	128	1.80			6.8	4021	141.83	28	1.00				
1.5	17340	959	128	2.00			7.5	3620	127.68	30	1.10				
1.8	14447	799	128	2.25			6.2	4377	229.95	25	0.90				
1.9	13923	770	128	2.50	7.0	3867	203.16	29	1.05						
2.1	12585	696	128	2.75	8.3	3280	172.34	31	1.20						
0.62	41479	2294	128	0.80	9.0	3020	158.68	32	1.30	GR109 GRF109	4P				
0.66	39020	2158	128	0.90	10	2699	141.83	34	1.50						
0.77	33379	1846	128	1.00	11	2430	127.68	34	1.65						
1.0	25947	1435	128	1.30	12	2201	115.63	34	1.80						
1.2	21499	1189	128	1.50	14	1951	102.53	35	2.00						
1.2	20866	1154	128	1.60	15	1764	92.70	35	2.30						
1.5	17304	957	128	1.85	18	1495	78.57	34	2.70						
1.9	13887	768	128	2.30	20	1387	72.88	33	2.90						
2.0	12838	710	128	2.60	9.5	2870	150.78	15	0.95			GR99 GRF99	4P		
1.3	20306	1123	114	0.90	11	2412	126.75	22	1.15						
1.4	18063	999	114	1.00	12	2217	116.48	23	1.25						
1.7	15568	861	114	1.15	14	1969	103.44	25	1.40						
1.9	13742	760	114	1.30	15	1760	92.48	25	1.60						
2.2	11862	656	114	1.50	17	1583	83.15	26	1.75						
2.8	9095	503	114	1.95	20	1374	72.17	26	2.00						
2.7	9637	533	65	1.35	22	1241	65.21	26	2.20						
3.1	8354	462	66	1.55	24	1140	59.92	25	2.50						
3.4	7703	426	67	1.65	27	1013	53.21	24	2.80						
3.9	6654	368	68	1.95	30	906	47.58	24	3.10						
4.4	5895	326	69	2.25	33	814	42.78	23	3.40						
5.1	5063	280	69	2.55	39	707	37.13	22	4.00						
1.6	16075	889	25	0.80	43	633	33.25	21	4.20						
1.8	14176	784	52	0.95	15	1785	93.78	3.4	0.80	GR89 GRF89	4P				
2.1	12567	695	60	1.05	17	1566	82.27	15	0.90						
2.3	11192	619	62	1.15	20	1387	72.88	17	1.05						
2.6	10090	558	64	1.30	22	1217	63.96	17	1.20						
2.9	8860	490	46	0.90	24	1154	60.61	18	1.25						
3.3	7739	428	51	1.00	27	1010	53.05	19	1.45						
3.8	6889	381	52	1.15	30	910	47.79	19	1.60						
4.4	5840	323	54	1.35	34	798	41.92	18	1.80						
4.9	5262	291	55	1.50	39	704	37.00	18	2.10						
5.6	4611	255	56	1.70	44	624	32.80	17	2.30						
6.4	4032	223	56	2.00	51	533	28.00	17	2.60						

选型参数表
(恒功率)
Selection Table
(Constant Power)

n_a [r/min]	M_a [N.m]	i	F_{Ra} [kN]	f_B	机型号 Type size	极数 Pole	n_a [r/min]	M_a [N.m]	i	F_{Ra} [kN]	f_B	机型号 Type size	极数 Pole																																																																																																																																																																																																																																																																																																																																																																																																																																																																																					
3kW							3kW																																																																																																																																																																																																																																																																																																																																																																																																																																																																																											
41	658	34.55	17	2.10	GR89 GRF89	4P	158	173	9.07	2.8	1.20	GR49 GRF49	4P																																																																																																																																																																																																																																																																																																																																																																																																																																																																																					
45	600	31.53	17	2.40			51	532	27.96	17	2.70			61	447	23.51	16	3.20	66	411	21.60	15	3.40	75	365	19.18	15	3.70	83	326	17.15	14	4.00	93	293	15.42	14	4.30	31	872	45.81	8.2	0.85	GR79 GRF79	4P	243	112	11.79	2.5	2.00	GR49 GRF49	2P	33	823	43.26	8.8	0.95	39	701	36.83	10	1.10	43	637	33.47	10	1.20	49	552	29.00	11	1.40	57	480	25.23	11	1.50	61	445	23.37	11	1.70	GR79 GRF79	4P	509	53	5.64	2.1	2.70	GR39 GRF39	4P	67	408	21.43	10	1.85	76	358	18.80	10	2.00	80	339	17.82	10	2.10	92	297	15.60	9.5	2.30	102	267	14.05	9.2	2.50	116	235	12.33	8.9	2.70	131	207	10.88	8.6	3.00	148	183	9.64	8.3	3.20	166	163	8.59	8.1	3.60	185	147	7.74	7.8	3.80	211	129	6.79	7.5	4.20	61	446	23.44	8.3	1.15	GR69 GRF69	4P	284	93	10.11	2.2	1.65	GR39 GRF39	2P	72	379	19.89	8.0	1.45	80	342	17.95	7.8	1.60	91	301	15.79	7.6	1.75	96	284	14.91	7.5	1.80	113	242	12.70	7.2	2.00	124	220	11.54	7.0	2.10	143	190	10.00	6.7	2.30	53	513	26.97	4.1	0.80	GR59 GRF59	4P	284	93	10.11	2.2	1.65	GR29 GRF29	4P	65	417	21.93	4.2	1.00	GR59 GRF59	4P	303	87	9.47	2.3	1.70	77	354	18.60	4.1	1.20	85	320	16.79	4.0	1.30	97	281	14.77	4.0	1.45	103	266	13.95	3.9	1.50	120	226	11.88	3.8	1.65	133	205	10.79	3.7	1.75	153	178	9.35	3.6	1.95	158	172	9.06	3.6	2.00	179	152	7.97	3.5	2.20	190	143	7.53	3.5	2.30	223	122	6.41	3.3	2.60	246	111	5.82	3.3	2.70	283	96	5.05	3.1	3.00	326	84	4.39	3.0	3.10	131	208	21.93	3.8	2.00	GR59 GRF59	2P	664	40	4.32	1.9	2.80	GR39 GRF39	2P	154	176	18.60	3.6	2.40	171	159	16.79	3.5	2.60	194	140	14.77	3.4	2.90	206	132	13.95	3.4	3.00	242	113	11.88	3.3	3.30	266	102	10.79	3.2	3.50	88	309	16.22	1.9	0.85	GR59 GRF59	4P	709	37	4.05	1.8	3.00	98	277	14.56	2.4	0.90	114	239	12.54	2.9	0.95	121	224	11.79	2.9	1.00	141	193	10.15	2.8	1.10	88	309	16.22	1.9	0.85	98	277	14.56	2.4	0.90	114	239	12.54	2.9	0.95	121	224	11.79	2.9	1.00	141	193	10.15	2.8	1.10																																																																																										
51	532	27.96	17	2.70			61	447	23.51	16	3.20			66	411	21.60	15	3.40	75	365	19.18	15	3.70	83	326	17.15	14	4.00	93	293	15.42	14	4.30	31	872	45.81	8.2	0.85	GR79 GRF79	4P	243	112	11.79			2.5	2.00	GR49 GRF49	2P	33			823	43.26	8.8	0.95	39	701	36.83	10	1.10	43	637	33.47	10	1.20	49	552	29.00	11	1.40	57	480	25.23	11	1.50	61	445	23.37	11	1.70	GR79 GRF79			4P	509	53	5.64	2.1			2.70	GR39 GRF39	4P	67	408	21.43	10	1.85	76	358	18.80	10	2.00	80	339	17.82	10	2.10	92	297	15.60	9.5	2.30	102	267	14.05	9.2	2.50	116	235	12.33	8.9	2.70	131	207	10.88	8.6	3.00	148	183	9.64	8.3	3.20	166	163	8.59	8.1	3.60	185	147	7.74	7.8	3.80	211	129	6.79	7.5	4.20	61	446			23.44	8.3	1.15	GR69 GRF69	4P			284	93	10.11	2.2	1.65	GR39 GRF39	2P	72	379	19.89	8.0	1.45	80	342	17.95	7.8	1.60	91	301	15.79	7.6	1.75	96	284	14.91	7.5	1.80	113	242	12.70	7.2	2.00	124	220	11.54	7.0	2.10	143	190	10.00	6.7	2.30	53	513	26.97	4.1	0.80			GR59 GRF59	4P	284	93	10.11			2.2	1.65	GR29 GRF29	4P	65	417	21.93	4.2	1.00	GR59 GRF59	4P	303	87	9.47	2.3	1.70	77	354	18.60	4.1	1.20	85	320	16.79	4.0	1.30	97	281	14.77	4.0	1.45	103	266	13.95	3.9	1.50	120	226	11.88	3.8	1.65	133	205	10.79	3.7	1.75	153	178	9.35	3.6	1.95	158	172	9.06	3.6	2.00	179	152	7.97	3.5	2.20	190	143	7.53	3.5	2.30	223	122	6.41	3.3	2.60	246	111	5.82	3.3	2.70	283	96	5.05	3.1			3.00	326	84	4.39	3.0			3.10	131	208	21.93	3.8	2.00	GR59 GRF59	2P	664	40	4.32	1.9	2.80	GR39 GRF39	2P	154	176	18.60	3.6	2.40	171	159	16.79	3.5	2.60	194	140	14.77	3.4	2.90	206	132	13.95	3.4	3.00			242	113	11.88	3.3	3.30	266	102	10.79	3.2	3.50	88	309	16.22	1.9	0.85	GR59 GRF59	4P	709	37	4.05	1.8	3.00	98	277	14.56	2.4	0.90	114	239	12.54	2.9	0.95	121	224	11.79	2.9	1.00	141	193	10.15	2.8	1.10	88	309	16.22	1.9	0.85	98	277	14.56	2.4	0.90	114	239	12.54	2.9	0.95	121	224	11.79	2.9	1.00	141	193	10.15	2.8	1.10																																																																									
61	447	23.51	16	3.20			66	411	21.60	15	3.40			75	365	19.18	15	3.70	83	326	17.15	14	4.00	93	293	15.42	14	4.30	31	872	45.81	8.2	0.85	GR79 GRF79	4P	243	112	11.79			2.5	2.00	GR49 GRF49			2P	33			823			43.26	8.8	0.95	39	701	36.83	10	1.10	43	637	33.47	10	1.20	49	552	29.00	11	1.40	57	480	25.23	11	1.50	61	445	23.37	11	1.70	GR79 GRF79					4P	509	53	5.64			2.1			2.70	GR39 GRF39	4P	67	408	21.43	10	1.85	76	358	18.80	10	2.00	80	339	17.82	10	2.10	92	297	15.60	9.5	2.30	102	267	14.05	9.2	2.50	116	235	12.33	8.9	2.70	131	207	10.88	8.6	3.00	148	183	9.64	8.3	3.20	166	163	8.59	8.1	3.60	185	147	7.74	7.8	3.80	211	129	6.79	7.5			4.20	61	446					23.44	8.3	1.15	GR69 GRF69	4P			284	93	10.11	2.2	1.65	GR39 GRF39	2P	72	379	19.89	8.0	1.45	80	342	17.95	7.8	1.60	91	301	15.79	7.6	1.75	96	284	14.91	7.5	1.80	113	242	12.70	7.2	2.00	124	220	11.54	7.0	2.10	143	190	10.00			6.7	2.30	53	513	26.97			4.1	0.80			GR59 GRF59	4P	284	93	10.11			2.2	1.65	GR29 GRF29	4P	65	417	21.93	4.2	1.00	GR59 GRF59	4P	303	87	9.47	2.3	1.70	77	354	18.60	4.1	1.20	85	320	16.79	4.0	1.30	97	281	14.77	4.0	1.45	103	266	13.95	3.9	1.50	120	226	11.88	3.8	1.65	133	205	10.79	3.7	1.75	153	178	9.35	3.6	1.95	158	172	9.06	3.6	2.00	179	152	7.97	3.5	2.20	190	143	7.53	3.5	2.30	223	122	6.41			3.3	2.60	246	111	5.82			3.3	2.70	283	96	5.05	3.1			3.00	326	84	4.39	3.0			3.10	131	208	21.93	3.8	2.00	GR59 GRF59	2P	664	40	4.32	1.9	2.80	GR39 GRF39	2P	154	176	18.60	3.6	2.40			171	159	16.79	3.5	2.60	194	140	14.77	3.4	2.90	206	132	13.95	3.4	3.00			242	113	11.88	3.3	3.30	266	102	10.79	3.2	3.50	88	309	16.22	1.9	0.85	GR59 GRF59	4P	709	37	4.05	1.8	3.00	98	277	14.56	2.4	0.90	114	239	12.54	2.9	0.95	121	224	11.79	2.9	1.00	141	193	10.15	2.8	1.10	88	309	16.22	1.9	0.85	98	277	14.56	2.4	0.90	114	239	12.54	2.9	0.95	121	224	11.79	2.9	1.00	141	193	10.15	2.8	1.10																																																								
66	411	21.60	15	3.40			75	365	19.18	15	3.70			83	326	17.15	14	4.00	93	293	15.42	14	4.30	31	872	45.81	8.2	0.85	GR79 GRF79	4P	243	112	11.79			2.5	2.00	GR49 GRF49			2P	33					823			43.26			8.8	0.95	39	701	36.83	10	1.10	43	637	33.47	10	1.20	49	552	29.00	11	1.40	57	480	25.23	11	1.50	61	445	23.37	11	1.70	GR79 GRF79							4P	509	53			5.64			2.1			2.70	GR39 GRF39	4P	67	408	21.43	10	1.85	76	358	18.80	10	2.00	80	339	17.82	10	2.10	92	297	15.60	9.5	2.30	102	267	14.05	9.2	2.50	116	235	12.33	8.9	2.70	131	207	10.88	8.6	3.00	148	183	9.64	8.3	3.20	166	163	8.59	8.1	3.60	185	147	7.74	7.8	3.80	211			129	6.79	7.5					4.20	61	446					23.44	8.3	1.15	GR69 GRF69	4P			284	93	10.11	2.2	1.65	GR39 GRF39	2P	72	379	19.89	8.0	1.45	80	342	17.95	7.8	1.60	91	301	15.79	7.6	1.75	96	284	14.91	7.5	1.80	113	242	12.70	7.2	2.00	124			220	11.54	7.0	2.10	143			190	10.00			6.7	2.30	53	513	26.97			4.1	0.80			GR59 GRF59	4P	284	93	10.11			2.2	1.65	GR29 GRF29	4P	65	417	21.93	4.2	1.00	GR59 GRF59	4P	303	87	9.47	2.3	1.70	77	354	18.60	4.1	1.20	85	320	16.79	4.0	1.30	97	281	14.77	4.0	1.45	103	266	13.95	3.9	1.50	120	226	11.88	3.8	1.65	133	205	10.79	3.7	1.75	153	178	9.35	3.6	1.95	158	172	9.06	3.6	2.00	179	152			7.97	3.5	2.20	190	143			7.53	3.5	2.30	223	122	6.41			3.3	2.60	246	111	5.82			3.3	2.70	283	96	5.05	3.1			3.00	326	84	4.39	3.0			3.10	131	208	21.93	3.8			2.00	GR59 GRF59	2P	664	40	4.32	1.9	2.80	GR39 GRF39	2P	154	176	18.60	3.6	2.40			171	159	16.79	3.5	2.60	194	140	14.77	3.4	2.90	206	132	13.95	3.4	3.00			242	113	11.88	3.3	3.30	266	102	10.79	3.2	3.50	88	309	16.22	1.9	0.85	GR59 GRF59	4P	709	37	4.05	1.8	3.00	98	277	14.56	2.4	0.90	114	239	12.54	2.9	0.95	121	224	11.79	2.9	1.00	141	193	10.15	2.8	1.10	88	309	16.22	1.9	0.85	98	277	14.56	2.4	0.90	114	239	12.54	2.9	0.95	121	224	11.79	2.9	1.00	141	193	10.15	2.8	1.10																																							
75	365	19.18	15	3.70			83	326	17.15	14	4.00			93	293	15.42	14	4.30	31	872	45.81	8.2	0.85	GR79 GRF79	4P	243	112	11.79			2.5	2.00	GR49 GRF49			2P	33					823					43.26			8.8			0.95	39	701	36.83	10	1.10	43	637	33.47	10	1.20	49	552	29.00	11	1.40	57	480	25.23	11	1.50	61	445	23.37	11	1.70	GR79 GRF79									4P	509			53			5.64			2.1			2.70	GR39 GRF39	4P	67	408	21.43	10	1.85	76	358	18.80	10	2.00	80	339	17.82	10	2.10	92	297	15.60	9.5	2.30	102	267	14.05	9.2	2.50	116	235	12.33	8.9	2.70	131	207	10.88	8.6	3.00	148	183	9.64	8.3	3.20	166	163	8.59	8.1	3.60	185	147	7.74			7.8	3.80	211					129	6.79	7.5					4.20	61	446					23.44	8.3	1.15	GR69 GRF69	4P			284	93	10.11	2.2	1.65	GR39 GRF39	2P	72	379	19.89	8.0	1.45	80	342	17.95	7.8	1.60	91	301	15.79	7.6	1.75	96	284	14.91	7.5			1.80	113	242	12.70	7.2			2.00	124			220	11.54	7.0	2.10	143			190	10.00			6.7	2.30	53	513	26.97			4.1	0.80			GR59 GRF59	4P	284	93	10.11			2.2	1.65	GR29 GRF29	4P	65	417	21.93	4.2	1.00	GR59 GRF59	4P	303	87	9.47	2.3	1.70	77	354	18.60	4.1	1.20	85	320	16.79	4.0	1.30	97	281	14.77	4.0	1.45	103	266	13.95	3.9	1.50	120	226	11.88	3.8	1.65	133	205	10.79	3.7	1.75	153			178	9.35	3.6	1.95	158			172	9.06	3.6	2.00	179	152			7.97	3.5	2.20	190	143			7.53	3.5	2.30	223	122	6.41			3.3	2.60	246	111	5.82			3.3	2.70	283	96	5.05			3.1			3.00	326	84	4.39	3.0			3.10	131	208	21.93	3.8			2.00	GR59 GRF59	2P	664	40	4.32	1.9	2.80	GR39 GRF39	2P	154	176	18.60	3.6	2.40			171	159	16.79	3.5	2.60	194	140	14.77	3.4	2.90	206	132	13.95	3.4	3.00			242	113	11.88	3.3	3.30	266	102	10.79	3.2	3.50	88	309	16.22	1.9	0.85	GR59 GRF59	4P	709	37	4.05	1.8	3.00	98	277	14.56	2.4	0.90	114	239	12.54	2.9	0.95	121	224	11.79	2.9	1.00	141	193	10.15	2.8	1.10	88	309	16.22	1.9	0.85	98	277	14.56	2.4	0.90	114	239	12.54	2.9	0.95	121	224	11.79	2.9	1.00	141	193	10.15	2.8	1.10																						
83	326	17.15	14	4.00			93	293	15.42	14	4.30			31	872	45.81	8.2	0.85	GR79 GRF79	4P	243	112	11.79			2.5	2.00	GR49 GRF49			2P	33					823					43.26					8.8			0.95			39	701	36.83	10	1.10	43	637	33.47	10	1.20	49	552	29.00	11	1.40	57	480	25.23	11	1.50	61	445	23.37	11	1.70	GR79 GRF79											4P			509			53			5.64			2.1			2.70	GR39 GRF39	4P	67	408	21.43	10	1.85	76	358	18.80	10	2.00	80	339	17.82	10	2.10	92	297	15.60	9.5	2.30	102	267	14.05	9.2	2.50	116	235	12.33	8.9	2.70	131	207	10.88	8.6	3.00	148	183	9.64	8.3	3.20	166	163	8.59	8.1	3.60			185	147	7.74					7.8	3.80	211					129	6.79	7.5					4.20	61	446					23.44	8.3	1.15	GR69 GRF69	4P			284	93	10.11	2.2	1.65	GR39 GRF39	2P	72	379	19.89	8.0	1.45	80	342	17.95	7.8	1.60	91	301			15.79	7.6	1.75	96	284			14.91	7.5			1.80	113	242	12.70	7.2			2.00	124			220	11.54	7.0	2.10	143			190	10.00			6.7	2.30	53	513	26.97			4.1	0.80			GR59 GRF59	4P	284	93	10.11			2.2	1.65	GR29 GRF29	4P	65	417	21.93	4.2	1.00	GR59 GRF59	4P	303	87	9.47	2.3	1.70	77	354	18.60	4.1	1.20	85	320	16.79	4.0	1.30	97	281	14.77	4.0	1.45	103	266	13.95	3.9	1.50			120	226	11.88	3.8	1.65			133	205	10.79	3.7	1.75	153			178	9.35	3.6	1.95	158			172	9.06	3.6	2.00	179	152			7.97	3.5	2.20	190	143			7.53	3.5	2.30	223	122			6.41			3.3	2.60	246	111	5.82			3.3	2.70	283	96	5.05			3.1			3.00	326	84	4.39	3.0			3.10	131	208	21.93	3.8			2.00	GR59 GRF59	2P	664	40	4.32	1.9	2.80	GR39 GRF39	2P	154	176	18.60	3.6	2.40			171	159	16.79	3.5	2.60	194	140	14.77	3.4	2.90	206	132	13.95	3.4	3.00			242	113	11.88	3.3	3.30	266	102	10.79	3.2	3.50	88	309	16.22	1.9	0.85	GR59 GRF59	4P	709	37	4.05	1.8	3.00	98	277	14.56	2.4	0.90	114	239	12.54	2.9	0.95	121	224	11.79	2.9	1.00	141	193	10.15	2.8	1.10	88	309	16.22	1.9	0.85	98	277	14.56	2.4	0.90	114	239	12.54	2.9	0.95	121	224	11.79	2.9	1.00	141	193	10.15	2.8	1.10					
93	293	15.42	14	4.30			31	872	45.81	8.2	0.85			GR79 GRF79	4P	243	112	11.79			2.5	2.00	GR49 GRF49			2P	33					823					43.26					8.8		0.95	39		701			36.83	10	1.10	43	637	33.47	10	1.20	49	552	29.00	11	1.40	57	480	25.23	11	1.50	61	445	23.37	11	1.70	GR79 GRF79	4P	509	53	5.64															2.1			2.70			GR39 GRF39			4P			67			408	21.43	10	1.85	76	358	18.80	10	2.00	80	339	17.82	10	2.10	92	297	15.60	9.5	2.30	102	267	14.05	9.2	2.50	116	235	12.33	8.9	2.70	131	207	10.88	8.6	3.00	148	183	9.64	8.3	3.20	166	163	8.59	8.1	3.60	185			147	7.74	7.8					3.80	211	129					6.79	7.5	4.20					61	446	23.44					8.3	1.15	GR69 GRF69					4P	284	93	10.11	2.2			1.65	GR39 GRF39	2P	72	379	19.89	8.0	1.45	80	342	17.95	7.8			1.60	91	301	15.79	7.6			1.75	96			284	14.91	7.5	1.80	113			242	12.70			7.2	2.00	124	220	11.54			7.0	2.10			143	190	10.00	6.7	2.30			53	513			26.97	4.1	0.80	GR59 GRF59	4P			284	93			10.11	2.2	1.65	GR29 GRF29	4P			65	417	21.93	4.2	1.00	GR59 GRF59	4P	303	87	9.47	2.3	1.70	77	354	18.60	4.1	1.20	85	320	16.79	4.0	1.30	97	281	14.77			4.0	1.45	103	266	13.95			3.9	1.50	120	226	11.88	3.8			1.65	133	205	10.79	3.7			1.75	153	178	9.35	3.6	1.95			158	172	9.06	3.6	2.00			179	152	7.97	3.5	2.20			190			143	7.53	3.5	2.30	223			122	6.41	3.3	2.60	246			111			5.82	3.3	2.70	283	96			5.05	3.1	3.00	326	84			4.39			3.0	3.10	131	208	21.93			3.8	2.00	GR59 GRF59	2P	664			40	4.32	1.9	2.80	GR39 GRF39	2P	154	176	18.60	3.6	2.40	171	159	16.79	3.5			2.60	194	140	14.77	3.4	2.90	206	132	13.95	3.4	3.00	242	113	11.88	3.3			3.30	266	102	10.79	3.2	3.50	88	309	16.22	1.9	0.85	GR59 GRF59	4P	709	37	4.05	1.8	3.00	98	277	14.56	2.4	0.90	114	239	12.54	2.9	0.95	121	224	11.79	2.9	1.00	141	193	10.15	2.8	1.10	88	309	16.22	1.9	0.85	98	277	14.56	2.4	0.90	114	239	12.54	2.9	0.95	121	224
31	872	45.81	8.2	0.85	GR79 GRF79	4P	243	112	11.79	2.5	2.00	GR49 GRF49	2P																																																																																																																																																																																																																																																																																																																																																																																																																																																																																					
33	823	43.26	8.8	0.95			39	701	36.83	10	1.10					43	637	33.47			10	1.20					49					552		29.00	11		1.40		57	480		25.23	11	1.50	61	445	23.37	11	1.70	GR79 GRF79	4P	509	53	5.64	2.1	2.70	GR39 GRF39	4P	67	408	21.43	10	1.85	76	358	18.80	10	2.00	80	339	17.82	10			2.10	92	297															15.60			9.5									2.30			102	267	14.05	9.2	2.50	116	235	12.33	8.9	2.70	131	207	10.88	8.6	3.00	148	183	9.64	8.3	3.20	166	163	8.59	8.1	3.60	185	147	7.74	7.8	3.80	211	129	6.79	7.5	4.20	61	446	23.44	8.3	1.15	GR69 GRF69	4P	284	93	10.11	2.2	1.65	GR39 GRF39	2P	72			379	19.89	8.0	1.45	80					342	17.95	7.8					1.60	91	301					15.79	7.6							1.75	96	284	14.91			7.5			1.80	113	242	12.70	7.2	2.00	124	220	11.54	7.0	2.10	143	190	10.00	6.7	2.30			53	513			26.97	4.1	0.80	GR59 GRF59	4P			284	93			10.11	2.2	1.65	GR29 GRF29	4P			65	417			21.93	4.2	1.00	GR59 GRF59	4P			303	87			9.47	2.3	1.70	77	354			18.60	4.1			1.20	85	320					16.79	4.0	1.30	97	281			14.77	4.0	1.45	103	266	13.95	3.9	1.50	120	226	11.88	3.8	1.65	133	205	10.79	3.7	1.75	153	178	9.35	3.6	1.95	158	172	9.06	3.6	2.00	179	152	7.97	3.5	2.20			190	143	7.53	3.5	2.30			223	122	6.41	3.3	2.60	246			111	5.82	3.3	2.70	283			96	5.05	3.1	3.00	326	84	4.39	3.0			3.10	131	208	21.93	3.8			2.00	GR59 GRF59	2P	664	40			4.32			1.9	2.80	GR39 GRF39	2P	154			176	18.60	3.6	2.40	171			159			16.79	3.5	2.60	194	140			14.77	3.4			2.90			206	132	13.95	3.4			3.00	242	113	11.88	3.3	3.30	266	102	10.79			3.2	3.50	88	309	16.22	1.9	0.85	GR59 GRF59	4P	709	37	4.05	1.8	3.00	98			277	14.56	2.4	0.90	114	239	12.54	2.9	0.95	121	224			11.79	2.9	1.00	141	193	10.15	2.8	1.10	88	309	16.22	1.9	0.85	98	277	14.56	2.4	0.90	114	239	12.54	2.9	0.95	121	224	11.79	2.9	1.00	141	193	10.15	2.8	1.10									
39	701	36.83	10	1.10			43	637	33.47	10	1.20					49	552	29.00			11	1.40					57		480	25.23		11		1.50	61		445	23.37	11	1.70	GR79 GRF79	4P	509	53	5.64	2.1	2.70	GR39 GRF39	4P			67	408	21.43	10	1.85			76	358	18.80	10	2.00	80	339	17.82	10	2.10	92	297	15.60	9.5			2.30	102	267															14.05			9.2									2.50			116	235	12.33	8.9	2.70	131	207	10.88	8.6	3.00	148	183	9.64	8.3	3.20	166	163	8.59	8.1	3.60	185	147	7.74	7.8	3.80	211	129	6.79	7.5	4.20	61	446	23.44	8.3	1.15	GR69 GRF69	4P	284	93	10.11			2.2	1.65	GR39 GRF39	2P	72			379	19.89	8.0	1.45	80	342	17.95	7.8			1.60	91	301	15.79	7.6					1.75	96	284					14.91	7.5							1.80	113	242	12.70			7.2			2.00	124	220	11.54	7.0	2.10	143	190	10.00	6.7	2.30	53	513	26.97	4.1	0.80			GR59 GRF59	4P	284	93	10.11	2.2	1.65	GR29 GRF29	4P			65	417			21.93	4.2	1.00					GR59 GRF59	4P			303	87	9.47					2.3	1.70			77	354	18.60	4.1	1.20			85	320			16.79	4.0	1.30					97	281	14.77	4.0	1.45			103	266	13.95	3.9	1.50	120	226	11.88	3.8	1.65	133	205	10.79	3.7	1.75	153	178	9.35	3.6	1.95	158	172	9.06	3.6	2.00	179	152	7.97	3.5	2.20	190	143	7.53	3.5	2.30	223	122	6.41	3.3	2.60	246	111	5.82	3.3	2.70	283	96	5.05			3.1	3.00	326	84	4.39			3.0	3.10	131	208	21.93	3.8	2.00	GR59 GRF59			2P	664	40	4.32	1.9			2.80			GR39 GRF39	2P	154	176	18.60			3.6	2.40			171			159	16.79	3.5	2.60	194			140			14.77	3.4	2.90	206	132			13.95	3.4			3.00			242	113	11.88	3.3			3.30	266	102	10.79	3.2	3.50	88	309	16.22			1.9	0.85	GR59 GRF59	4P	709	37	4.05			1.8	3.00	98	277	14.56	2.4			0.90	114	239	12.54	2.9	0.95	121	224	11.79	2.9	1.00			141	193	10.15	2.8	1.10	88	309	16.22	1.9	0.85	98	277	14.56	2.4	0.90	114	239	12.54	2.9	0.95	121	224	11.79	2.9	1.00	141	193	10.15	2.8	1.10												
43	637	33.47	10	1.20			49	552	29.00	11	1.40					57	480	25.23			11	1.50		61	445		23.37		11	1.70		GR79 GRF79	4P	509	53	5.64	2.1	2.70	GR39 GRF39	4P			67	408	21.43	10	1.85					76	358	18.80	10	2.00			80	339	17.82	10	2.10	92	297	15.60	9.5	2.30	102	267	14.05	9.2			2.50	116	235															12.33			8.9									2.70			131	207	10.88	8.6	3.00	148	183	9.64	8.3	3.20	166	163	8.59	8.1	3.60	185	147	7.74	7.8	3.80	211	129	6.79	7.5	4.20	61	446	23.44	8.3	1.15	GR69 GRF69	4P	284	93	10.11			2.2	1.65	GR39 GRF39			2P	72			379			19.89	8.0	1.45	80	342	17.95	7.8	1.60	91	301	15.79	7.6	1.75	96	284			14.91	7.5	1.80	113	242					12.70	7.2							2.00	124	220	11.54			7.0			2.10	143	190	10.00	6.7	2.30	53	513	26.97	4.1	0.80	GR59 GRF59	4P	284	93	10.11			2.2	1.65	GR29 GRF29	4P	65	417	21.93					4.2	1.00	GR59 GRF59	4P	303	87	9.47									2.3	1.70	77					354	18.60			4.1	1.20	85	320	16.79			4.0	1.30			97	281	14.77					4.0	1.45	103	266	13.95			3.9	1.50	120	226	11.88	3.8	1.65	133	205	10.79	3.7	1.75	153	178	9.35	3.6	1.95	158	172	9.06	3.6	2.00	179	152	7.97	3.5	2.20	190	143	7.53	3.5	2.30	223	122	6.41	3.3	2.60	246	111	5.82	3.3	2.70	283	96	5.05	3.1	3.00	326	84	4.39	3.0	3.10	131	208	21.93	3.8	2.00	GR59 GRF59	2P	664	40	4.32	1.9	2.80					GR39 GRF39	2P	154	176			18.60					3.6	2.40	171			159	16.79			3.5			2.60	194	140	14.77	3.4	2.90	206	132			13.95	3.4	3.00	242	113			11.88	3.3			3.30			266	102	10.79	3.2			3.50	88	309	16.22	1.9	0.85	GR59 GRF59	4P	709			37	4.05			1.8	3.00	98			277	14.56	2.4	0.90	114	239			12.54	2.9	0.95	121	224	11.79	2.9	1.00	141	193	10.15			2.8	1.10	88	309	16.22	1.9	0.85	98	277	14.56	2.4	0.90	114	239	12.54	2.9	0.95	121	224	11.79	2.9	1.00	141	193	10.15	2.8	1.10															
49	552	29.00	11	1.40			57	480	25.23	11	1.50					61	445	23.37	11	1.70	GR79 GRF79	4P		509	53		5.64	2.1	2.70	GR39 GRF39	4P			67	408	21.43	10	1.85					76	358	18.80	10	2.00					80	339	17.82	10	2.10			92	297	15.60	9.5	2.30	102	267	14.05	9.2	2.50	116	235	12.33	8.9			2.70	131	207															10.88			8.6									3.00			148	183	9.64	8.3	3.20	166	163	8.59	8.1	3.60	185	147	7.74	7.8	3.80	211	129	6.79	7.5	4.20	61	446	23.44	8.3	1.15	GR69 GRF69	4P	284	93	10.11			2.2	1.65	GR39 GRF39			2P	72					379			19.89			8.0	1.45	80	342	17.95	7.8	1.60	91	301	15.79	7.6	1.75	96	284	14.91	7.5	1.80	113	242	12.70	7.2	2.00			124	220	11.54	7.0							2.10	143	190	10.00			6.7			2.30	53	513	26.97	4.1	0.80	GR59 GRF59	4P	284	93	10.11	2.2	1.65	GR29 GRF29	4P	65			417	21.93			4.2	1.00	GR59 GRF59					4P	303			87	9.47	2.3							1.70	77	354	18.60	4.1					1.20	85			320	16.79	4.0	1.30	97			281	14.77			4.0	1.45	103					266	13.95	3.9	1.50	120			226	11.88	3.8	1.65	133	205	10.79	3.7	1.75	153	178	9.35	3.6	1.95	158	172	9.06	3.6	2.00	179	152	7.97	3.5	2.20	190	143	7.53	3.5	2.30	223	122	6.41	3.3	2.60	246	111	5.82	3.3	2.70	283	96	5.05	3.1	3.00	326	84	4.39	3.0	3.10	131	208	21.93	3.8	2.00	GR59 GRF59	2P	664			40	4.32	1.9	2.80	GR39 GRF39		2P	154				176	18.60	3.6	2.40	171					159	16.79	3.5			2.60	194			140			14.77	3.4	2.90	206	132	13.95	3.4	3.00			242	113	11.88	3.3	3.30			266	102			10.79	3.2	3.50	88	309	16.22	1.9			0.85	GR59 GRF59	4P	709	37	4.05			1.8			3.00	98			277	14.56	2.4			0.90	114	239	12.54	2.9	0.95			121	224	11.79	2.9	1.00	141	193	10.15	2.8	1.10	88			309	16.22	1.9	0.85	98	277	14.56	2.4	0.90	114	239	12.54	2.9	0.95	121	224	11.79	2.9	1.00	141	193	10.15	2.8	1.10																		
57	480	25.23	11	1.50			61	445	23.37	11	1.70			GR79 GRF79	4P	509	53	5.64	2.1	2.70			GR39 GRF39	4P	67	408	21.43	10	1.85					76	358	18.80	10	2.00					80	339	17.82	10	2.10					92	297	15.60	9.5	2.30			102	267	14.05	9.2	2.50	116	235	12.33	8.9	2.70	131	207	10.88	8.6			3.00	148	183						9.64	8.3						3.20	166	163			8.59									8.1			3.60	185	147	7.74	7.8	3.80	211	129	6.79	7.5	4.20	61	446	23.44	8.3	1.15	GR69 GRF69	4P	284	93	10.11	2.2	1.65	GR39 GRF39	2P			72	379	19.89			8.0	1.45					80					342			17.95			7.8	1.60	91	301	15.79	7.6	1.75	96	284	14.91	7.5	1.80	113	242	12.70	7.2	2.00	124	220	11.54	7.0	2.10	143	190	10.00	6.7	2.30	53				513	26.97		4.1	0.80	GR59 GRF59	4P			284			93	10.11	2.2	1.65	GR29 GRF29	4P	65	417	21.93	4.2	1.00	GR59 GRF59	4P			303			87	9.47			2.3	1.70							77			354	18.60	4.1							1.20	85	320	16.79	4.0					1.30	97	281	14.77	4.0	1.45	103	266	13.95			3.9	1.50			120	226	11.88					3.8	1.65	133	205	10.79			3.7	1.75	153	178	9.35	3.6	1.95	158	172	9.06	3.6	2.00	179	152	7.97	3.5	2.20	190	143	7.53	3.5	2.30	223	122	6.41	3.3	2.60	246	111	5.82	3.3	2.70	283	96	5.05	3.1	3.00	326	84	4.39	3.0	3.10	131	208	21.93	3.8	2.00	GR59 GRF59	2P	664	40	4.32	1.9	2.80			GR39 GRF39			2P	154	176	18.60				3.6				2.40	171	159	16.79	3.5					2.60	194	140	14.77	3.4	2.90	206			132	13.95	3.4	3.00	242	113	11.88	3.3	3.30	266	102			10.79	3.2	3.50	88	309			16.22	1.9			0.85	GR59 GRF59	4P	709	37	4.05	1.8			3.00			98	277	14.56			2.4	0.90	114	239	12.54			2.9	0.95	121			224	11.79	2.9	1.00	141	193			10.15	2.8	1.10	88	309	16.22	1.9	0.85	98	277	14.56			2.4	0.90	114	239	12.54	2.9	0.95	121	224	11.79	2.9	1.00	141	193	10.15	2.8	1.10																									
61	445	23.37	11	1.70	GR79 GRF79	4P	509	53	5.64	2.1	2.70	GR39 GRF39	4P																																																																																																																																																																																																																																																																																																																																																																																																																																																																																					
67	408	21.43	10	1.85			76	358	18.80	10	2.00					80	339	17.82	10	2.10					92	297	15.60	9.5	2.30					102	267	14.05	9.2	2.50					116	235	12.33	8.9	2.70					131	207	10.88	8.6	3.00			148	183	9.64	8.3	3.20	166	163	8.59	8.1	3.60	185	147	7.74	7.8			3.80	211	129				6.79	7.5	4.20	61	446	23.44				8.3	1.15	GR69 GRF69	4P	284	93	10.11	2.2							1.65			GR39 GRF39	2P	72	379	19.89	8.0	1.45	80	342	17.95	7.8	1.60	91	301	15.79	7.6			1.75	96	284	14.91	7.5					1.80	113	242			12.70	7.2					2.00					124			220			11.54	7.0	2.10	143	190	10.00	6.7	2.30	53	513	26.97	4.1	0.80	GR59 GRF59	4P	284	93	10.11	2.2	1.65	GR29 GRF29	4P	65	417	21.93	4.2	1.00	GR59 GRF59	4P	303	87	9.47	2.3	1.70	77	354	18.60	4.1	1.20	85	320	16.79	4.0	1.30	97	281	14.77			4.0	1.45	103	266	13.95					3.9			1.50	120			226	11.88							3.8			1.65	133	205							10.79	3.7	1.75	153	178					9.35	3.6	1.95	158	172	9.06	3.6	2.00	179			152	7.97	3.5	2.20	190	143	7.53	3.5	2.30			223	122	6.41	3.3	2.60			246	111	5.82	3.3	2.70	283	96	5.05	3.1	3.00	326	84	4.39	3.0	3.10	131	208	21.93	3.8	2.00	GR59 GRF59	2P	664	40	4.32	1.9	2.80	GR39 GRF39	2P	154	176	18.60	3.6	2.40	171	159	16.79	3.5	2.60	194	140	14.77	3.4	2.90	206	132	13.95			3.4	3.00	242	113	11.88							3.3	3.30	266				102				10.79	3.2	3.50	88	309					16.22	1.9	0.85	GR59 GRF59	4P	709	37			4.05	1.8	3.00	98	277	14.56	2.4	0.90	114	239	12.54	2.9	0.95	121	224	11.79	2.9	1.00	141	193	10.15	2.8	1.10	88	309			16.22	1.9	0.85	98	277	14.56	2.4			0.90	114	239			12.54	2.9	0.95	121	224			11.79	2.9	1.00			141	193	10.15	2.8	1.10																																																										
76	358	18.80	10	2.00			80	339	17.82	10	2.10					92	297	15.60	9.5	2.30					102	267	14.05	9.2	2.50					116	235	12.33	8.9	2.70					131	207	10.88	8.6	3.00					148	183	9.64	8.3	3.20			166	163	8.59	8.1	3.60	185	147	7.74	7.8	3.80	211	129	6.79	7.5			4.20	61	446			23.44	8.3	1.15	GR69 GRF69	4P	284	93	10.11			2.2	1.65			GR39 GRF39	2P	72	379		19.89	8.0				1.45					80	342	17.95	7.8	1.60	91	301	15.79	7.6	1.75	96	284	14.91	7.5			1.80	113	242	12.70	7.2					2.00	124	220			11.54	7.0					2.10					143			190			10.00	6.7	2.30	53	513	26.97	4.1	0.80	GR59 GRF59	4P	284	93	10.11	2.2	1.65	GR29 GRF29	4P	65	417	21.93			4.2	1.00	GR59 GRF59	4P	303			87	9.47	2.3	1.70	77	354	18.60	4.1	1.20	85	320	16.79	4.0	1.30	97	281	14.77	4.0			1.45	103	266	13.95	3.9					1.50			120	226			11.88	3.8							1.65			133	205	10.79							3.7	1.75	153	178	9.35					3.6	1.95	158	172	9.06	3.6	2.00	179	152			7.97	3.5	2.20	190	143	7.53	3.5	2.30	223			122	6.41	3.3	2.60	246			111	5.82	3.3	2.70	283	96	5.05	3.1	3.00	326	84	4.39	3.0	3.10	131	208	21.93	3.8	2.00	GR59 GRF59			2P	664	40	4.32	1.9			2.80	GR39 GRF39	2P	154	176	18.60	3.6	2.40	171	159	16.79	3.5	2.60	194	140	14.77	3.4	2.90			206	132	13.95	3.4	3.00							242	113	11.88				3.3				3.30	266	102	10.79	3.2					3.50	88	309			16.22	1.9			0.85	GR59 GRF59	4P	709	37	4.05	1.8	3.00	98	277	14.56	2.4	0.90	114	239	12.54	2.9	0.95	121	224	11.79	2.9	1.00	141	193			10.15	2.8	1.10	88	309	16.22	1.9			0.85	98	277			14.56	2.4	0.90	114	239			12.54	2.9	0.95			121	224	11.79	2.9	1.00	141	193	10.15	2.8	1.10																																																					
80	339	17.82	10	2.10			92	297	15.60	9.5	2.30					102	267	14.05	9.2	2.50					116	235	12.33	8.9	2.70					131	207	10.88	8.6	3.00					148	183	9.64	8.3	3.20					166	163	8.59	8.1	3.60			185	147	7.74	7.8	3.80	211	129	6.79	7.5	4.20	61	446	23.44	8.3			1.15	GR69 GRF69	4P		284	93	10.11	2.2			1.65	GR39 GRF39	2P	72		379	19.89					8.0	1.45		80	342		17.95	7.8	1.60					91	301	15.79	7.6	1.75	96	284	14.91	7.5	1.80	113	242	12.70	7.2			2.00	124	220	11.54	7.0					2.10	143	190			10.00	6.7					2.30		53	513		26.97			4.1	0.80	GR59 GRF59	4P	284	93	10.11	2.2	1.65	GR29 GRF29	4P	65	417	21.93	4.2	1.00	GR59 GRF59	4P			303	87	9.47			2.3	1.70			77			354	18.60	4.1	1.20	85	320	16.79	4.0	1.30	97	281	14.77	4.0	1.45	103	266	13.95	3.9			1.50	120	226	11.88	3.8					1.65	133	205	10.79	3.7			1.75	153							178			9.35	3.6	1.95	158	172					9.06	3.6	2.00	179	152					7.97	3.5	2.20	190	143	7.53	3.5	2.30	223			122	6.41	3.3	2.60	246	111	5.82	3.3	2.70			283	96	5.05	3.1	3.00			326	84	4.39	3.0	3.10	131	208	21.93	3.8	2.00	GR59 GRF59	2P	664	40	4.32	1.9	2.80	GR39 GRF39	2P					154	176	18.60	3.6			2.40			171	159	16.79	3.5	2.60	194	140	14.77	3.4	2.90	206	132	13.95	3.4	3.00			242	113	11.88	3.3	3.30							266	102	10.79				3.2				3.50	88	309	16.22	1.9	0.85	GR59 GRF59			4P	709	37			4.05	1.8	3.00	98	277			14.56	2.4	0.90	114	239	12.54	2.9	0.95	121	224	11.79	2.9	1.00	141	193	10.15	2.8	1.10	88	309	16.22	1.9			0.85	98	277	14.56	2.4	0.90	114			239	12.54	2.9			0.95	121	224	11.79	2.9			1.00	141	193	10.15	2.8	1.10																																																														
92	297	15.60	9.5	2.30			102	267	14.05	9.2	2.50					116	235	12.33	8.9	2.70					131	207	10.88	8.6	3.00					148	183	9.64	8.3	3.20					166	163	8.59	8.1	3.60					185	147	7.74	7.8	3.80			211	129	6.79	7.5	4.20	61	446	23.44	8.3	1.15	GR69 GRF69	4P	284	93			10.11			2.2	1.65	GR39 GRF39	2P	72			379			19.89	8.0	1.45	80					342	17.95		7.8	1.60		91	301	15.79	7.6	1.75			96	284	14.91	7.5	1.80	113	242	12.70	7.2	2.00	124	220	11.54	7.0			2.10	143	190	10.00	6.7					2.30	53	513			26.97	4.1		0.80	GR59 GRF59		4P		284	93		10.11	2.2	1.65	GR29 GRF29	4P	65	417	21.93	4.2	1.00	GR59 GRF59	4P			303	87	9.47	2.3	1.70					77	354	18.60			4.1	1.20			85			320	16.79	4.0	1.30	97	281	14.77	4.0	1.45	103	266	13.95	3.9	1.50	120	226	11.88	3.8			1.65	133	205	10.79	3.7					1.75	153	178	9.35	3.6			1.95	158		172	9.06	3.6	2.00		179			152	7.97	3.5	2.20	190					143	7.53	3.5	2.30	223					122	6.41	3.3	2.60	246	111	5.82	3.3	2.70			283	96	5.05	3.1	3.00	326	84	4.39	3.0			3.10	131	208	21.93	3.8			2.00	GR59 GRF59	2P	664	40	4.32	1.9	2.80	GR39 GRF39	2P			154	176	18.60	3.6	2.40							171	159	16.79	3.5			2.60			194	140	14.77	3.4	2.90	206	132	13.95	3.4	3.00	242	113	11.88	3.3	3.30			266	102	10.79	3.2	3.50							88	309	16.22		1.9		0.85	GR59 GRF59			4P	709	37	4.05	1.8	3.00		98	277		14.56	2.4			0.90	114	239	12.54	2.9			0.95	121	224	11.79	2.9	1.00	141	193	10.15	2.8	1.10	88	309	16.22	1.9	0.85	98	277	14.56	2.4	0.90	114			239	12.54	2.9	0.95	121	224	11.79			2.9	1.00	141			193	10.15	2.8	1.10																																																																							
102	267	14.05	9.2	2.50			116	235	12.33	8.9	2.70					131	207	10.88	8.6	3.00					148	183	9.64	8.3	3.20					166	163	8.59	8.1	3.60					185	147	7.74	7.8	3.80					211	129	6.79	7.5	4.20			61	446	23.44	8.3	1.15	GR69 GRF69	4P	284	93	10.11			2.2	1.65	GR39 GRF39	2P	72			379	19.89			8.0			1.45			80	342	17.95	7.8					1.60	91	301	15.79	7.6	1.75	96	284	14.91	7.5	1.80			113	242	12.70	7.2	2.00	124	220	11.54	7.0	2.10	143	190	10.00	6.7			2.30	53	513	26.97	4.1					0.80	GR59 GRF59	4P	284	93	10.11	2.2		1.65	GR29 GRF29		4P	65	417	21.93	4.2	1.00	GR59 GRF59	4P			303	87	9.47	2.3	1.70					77	354	18.60	4.1	1.20					85	320	16.79			4.0	1.30			97			281	14.77	4.0	1.45	103	266	13.95	3.9	1.50	120	226	11.88	3.8	1.65	133	205	10.79	3.7			1.75	153	178	9.35	3.6					1.95	158	172	9.06	3.6	2.00	179	152	7.97		3.5	2.20	190	143		7.53			3.5	2.30	223	122	6.41	3.3	2.60			246	111	5.82	3.3	2.70					283	96	5.05	3.1	3.00	326	84	4.39	3.0			3.10	131	208	21.93	3.8	2.00	GR59 GRF59	2P	664			40	4.32	1.9	2.80	GR39 GRF39			2P			154	176	18.60	3.6	2.40					171	159	16.79	3.5	2.60							194	140	14.77	3.4			2.90			206	132	13.95	3.4	3.00	242	113	11.88	3.3	3.30	266	102	10.79	3.2	3.50			88	309	16.22	1.9	0.85				GR59 GRF59	4P		709	37	4.05		1.8		3.00		98	277		14.56	2.4	0.90	114	239		12.54	2.9		0.95	121			224	11.79	2.9	1.00	141			193	10.15	2.8	1.10	88	309	16.22	1.9	0.85	98	277	14.56	2.4	0.90	114	239	12.54	2.9	0.95	121	224	11.79			2.9	1.00	141	193	10.15	2.8	1.10																																																																																		
116	235	12.33	8.9	2.70			131	207	10.88	8.6	3.00					148	183	9.64	8.3	3.20					166	163	8.59	8.1	3.60					185	147	7.74	7.8	3.80					211	129	6.79	7.5	4.20					61	446	23.44	8.3	1.15			GR69 GRF69	4P	284	93	10.11			2.2	1.65	GR39 GRF39			2P	72			379			19.89	8.0			1.45			80			342	17.95	7.8	1.60					91	301	15.79	7.6	1.75	96	284	14.91	7.5	1.80	113			242	12.70	7.2	2.00	124	220	11.54	7.0	2.10	143	190	10.00	6.7	2.30			53	513	26.97	4.1	0.80			GR59 GRF59	4P	284	93	10.11	2.2	1.65	GR29 GRF29	4P	65	417		21.93		4.2	1.00	GR59 GRF59	4P	303					87	9.47	2.3	1.70	77					354	18.60	4.1	1.20	85					320	16.79	4.0			1.30	97			281			14.77	4.0	1.45	103	266	13.95	3.9	1.50	120	226	11.88	3.8	1.65	133	205	10.79	3.7	1.75			153	178	9.35	3.6	1.95			158	172	9.06	3.6	2.00	179	152	7.97	3.5	2.20	190		143	7.53	3.5	2.30		223			122	6.41	3.3	2.60	246	111	5.82			3.3	2.70	283	96	5.05			3.1	3.00	326	84	4.39	3.0	3.10	131	208	21.93	3.8			2.00	GR59 GRF59	2P	664	40	4.32			1.9			2.80	GR39 GRF39	2P	154							176	18.60	3.6	2.40	171					159	16.79	3.5	2.60	194							140	14.77	3.4	2.90			206			132	13.95	3.4	3.00	242	113	11.88	3.3	3.30	266	102	10.79	3.2	3.50	88			309	16.22	1.9	0.85	GR59 GRF59	4P	709					37	4.05	1.8	3.00	98	277	14.56		2.4	0.90		114	239	12.54	2.9	0.95		121	224		11.79	2.9			1.00	141	193	10.15	2.8			1.10	88	309	16.22	1.9	0.85	98	277	14.56	2.4	0.90	114	239	12.54	2.9	0.95	121	224	11.79	2.9	1.00	141			193	10.15	2.8	1.10																																																																																					
131	207	10.88	8.6	3.00			148	183	9.64	8.3	3.20					166	163	8.59	8.1	3.60					185	147	7.74	7.8	3.80					211	129	6.79	7.5	4.20					61	446	23.44	8.3	1.15			GR69 GRF69	4P	284	93	10.11	2.2	1.65	GR39 GRF39	2P			72	379	19.89			8.0	1.45					80			342			17.95	7.8			1.60			91			301	15.79	7.6	1.75					96	284	14.91	7.5	1.80	113	242	12.70	7.2	2.00	124			220	11.54	7.0	2.10	143	190	10.00	6.7	2.30	53	513	26.97	4.1	0.80	GR59 GRF59	4P	284	93	10.11	2.2	1.65	GR29 GRF29	4P	65	417	21.93	4.2	1.00	GR59 GRF59	4P			303	87		9.47		2.3	1.70			77					354	18.60	4.1	1.20	85					320	16.79	4.0	1.30	97					281	14.77	4.0			1.45	103			266			13.95	3.9	1.50	120	226	11.88	3.8	1.65	133	205	10.79	3.7	1.75	153	178	9.35	3.6	1.95	158	172	9.06	3.6	2.00	179	152			7.97	3.5	2.20	190	143	7.53	3.5	2.30	223	122	6.41		3.3	2.60	246	111		5.82			3.3	2.70	283	96	5.05	3.1	3.00			326	84	4.39	3.0	3.10			131	208	21.93	3.8	2.00	GR59 GRF59	2P	664	40	4.32	1.9	2.80	GR39 GRF39	2P			154	176	18.60			3.6			2.40			171							159	16.79	3.5	2.60	194					140	14.77	3.4	2.90	206							132	13.95	3.4	3.00			242			113	11.88	3.3	3.30	266	102	10.79	3.2	3.50	88	309	16.22	1.9	0.85	GR59 GRF59	4P	709	37	4.05	1.8	3.00			98	277			14.56	2.4	0.90	114	239	12.54	2.9	0.95		121	224		11.79	2.9	1.00	141	193		10.15	2.8		1.10	88			309	16.22	1.9	0.85	98			277	14.56	2.4	0.90	114	239	12.54	2.9	0.95	121	224	11.79	2.9	1.00	141	193	10.15	2.8	1.10																																																																																														
148	183	9.64	8.3	3.20			166	163	8.59	8.1	3.60					185	147	7.74	7.8	3.80					211	129	6.79	7.5	4.20					61	446	23.44	8.3	1.15			GR69 GRF69	4P	284	93	10.11	2.2	1.65	GR39 GRF39	2P			72	379	19.89	8.0	1.45					80	342	17.95			7.8	1.60					91			301			15.79	7.6			1.75			96			284	14.91	7.5	1.80					113	242	12.70	7.2	2.00	124	220	11.54	7.0	2.10	143			190	10.00	6.7	2.30	53	513	26.97	4.1	0.80	GR59 GRF59	4P	284	93	10.11	2.2	1.65	GR29 GRF29	4P	65	417	21.93			4.2	1.00	GR59 GRF59	4P	303					87	9.47		2.3		1.70	77			354					18.60	4.1	1.20	85	320					16.79	4.0	1.30	97	281					14.77	4.0	1.45			103	266			13.95			3.9	1.50	120	226	11.88	3.8	1.65	133	205	10.79	3.7	1.75	153	178	9.35	3.6	1.95	158	172	9.06	3.6	2.00	179	152	7.97			3.5	2.20	190	143	7.53	3.5	2.30	223	122	6.41	3.3		2.60	246	111	5.82		3.3			2.70	283	96	5.05	3.1	3.00	326			84	4.39	3.0	3.10	131			208	21.93	3.8	2.00	GR59 GRF59			2P	664	40	4.32	1.9					2.80	GR39 GRF39	2P			154	176	18.60	3.6			2.40							171	159	16.79	3.5	2.60					194	140	14.77	3.4	2.90							206	132	13.95	3.4			3.00			242	113	11.88	3.3	3.30	266	102	10.79	3.2	3.50	88	309	16.22	1.9			0.85	GR59 GRF59	4P	709	37			4.05	1.8			3.00	98	277	14.56	2.4	0.90	114	239		12.54	2.9		0.95	121	224	11.79	2.9		1.00	141		193	10.15			2.8	1.10	88	309	16.22			1.9	0.85	98	277	14.56	2.4	0.90	114	239	12.54	2.9	0.95	121	224	11.79	2.9	1.00	141	193	10.15	2.8	1.10																																																																																											
166	163	8.59	8.1	3.60			185	147	7.74	7.8	3.80					211	129	6.79	7.5	4.20					61	446	23.44	8.3	1.15			GR69 GRF69	4P	284	93	10.11	2.2	1.65	GR39 GRF39	2P			72	379	19.89	8.0	1.45					80	342	17.95	7.8	1.60					91	301	15.79			7.6	1.75					96			284			14.91	7.5			1.80			113			242	12.70	7.2	2.00	124	220			11.54	7.0	2.10	143	190	10.00	6.7	2.30	53	513	26.97	4.1	0.80	GR59 GRF59	4P	284	93	10.11	2.2	1.65	GR29 GRF29	4P	65	417	21.93	4.2	1.00	GR59 GRF59	4P			303	87	9.47			2.3	1.70			77					354	18.60		4.1		1.20	85			320					16.79	4.0	1.30	97	281					14.77	4.0	1.45	103	266					13.95	3.9	1.50	120	226	11.88	3.8			1.65			133	205	10.79	3.7	1.75	153	178	9.35	3.6	1.95	158	172	9.06	3.6	2.00	179	152	7.97	3.5	2.20	190	143	7.53	3.5	2.30			223	122	6.41	3.3	2.60	246	111	5.82	3.3	2.70	283		96	5.05	3.1	3.00		326			84	4.39	3.0	3.10	131	208	21.93			3.8	2.00	GR59 GRF59	2P	664			40	4.32	1.9	2.80					GR39 GRF39	2P	154	176					18.60					3.6	2.40	171	159			16.79		3.5	2.60				194	140	14.77	3.4	2.90					206	132	13.95	3.4	3.00				242	113		11.88	3.3	3.30	266	102	10.79	3.2			3.50	88	309	16.22	1.9	0.85	GR59 GRF59	4P	709	37	4.05	1.8	3.00	98			277			14.56	2.4			0.90	114			239	12.54	2.9	0.95	121	224	11.79	2.9		1.00	141		193	10.15	2.8	1.10	88		309	16.22		1.9	0.85	98	277	14.56	2.4	0.90	114	239			12.54	2.9	0.95	121	224	11.79	2.9	1.00	141	193	10.15	2.8	1.10																																																																																																				
185	147	7.74	7.8	3.80			211	129	6.79	7.5	4.20					61	446	23.44	8.3	1.15	GR69 GRF69	4P			284	93	10.11	2.2	1.65	GR39 GRF39	2P			72	379	19.89	8.0	1.45					80	342	17.95	7.8	1.60					91	301	15.79	7.6	1.75					96	284	14.91			7.5	1.80					113			242			12.70	7.2			2.00	124	220	11.54			7.0	2.10	143	190	10.00	6.7	2.30	53	513	26.97	4.1	0.80	GR59 GRF59	4P	284	93	10.11	2.2	1.65	GR29 GRF29	4P	65	417	21.93	4.2	1.00	GR59 GRF59	4P			303	87	9.47	2.3	1.70					77	354	18.60			4.1	1.20			85					320	16.79		4.0		1.30	97			281					14.77	4.0	1.45	103	266					13.95	3.9	1.50	120	226			11.88	3.8	1.65	133	205	10.79	3.7	1.75	153			178			9.35	3.6	1.95	158	172	9.06	3.6	2.00	179	152	7.97	3.5	2.20	190	143	7.53	3.5	2.30	223	122	6.41	3.3	2.60	246	111			5.82	3.3	2.70	283	96	5.05	3.1	3.00	326	84	4.39		3.0	3.10	131	208		21.93			3.8	2.00	GR59 GRF59	2P	664	40	4.32			1.9	2.80			GR39 GRF39			2P	154	176	18.60							3.6	2.40					171					159	16.79	3.5	2.60			194		140	14.77				3.4	2.90	206	132	13.95					3.4	3.00	242	113	11.88			3.3	3.30	266	102	10.79	3.2	3.50	88	309	16.22	1.9	0.85	GR59 GRF59	4P	709	37	4.05	1.8	3.00			98	277	14.56	2.4	0.90	114			239			12.54	2.9			0.95	121			224	11.79	2.9	1.00	141	193	10.15	2.8		1.10	88		309	16.22	1.9	0.85	98		277	14.56		2.4	0.90	114	239	12.54	2.9	0.95	121	224	11.79	2.9	1.00	141	193	10.15	2.8	1.10																																																																																																											
211	129	6.79	7.5	4.20			61	446	23.44	8.3	1.15			GR69 GRF69	4P	284	93	10.11	2.2	1.65			GR39 GRF39	2P	72	379	19.89	8.0	1.45					80	342	17.95	7.8	1.60					91	301	15.79	7.6	1.75					96	284	14.91	7.5	1.80					113	242	12.70			7.2	2.00					124			220	11.54	7.0	2.10	143			190	10.00	6.7	2.30	53	513	26.97	4.1	0.80	GR59 GRF59	4P	284	93	10.11	2.2	1.65	GR29 GRF29	4P	65	417	21.93	4.2	1.00	GR59 GRF59	4P			303	87	9.47	2.3	1.70					77	354	18.60	4.1	1.20					85	320	16.79			4.0	1.30			97					281	14.77		4.0		1.45	103			266					13.95	3.9	1.50	120	226			11.88	3.8	1.65	133	205	10.79	3.7			1.75	153	178	9.35	3.6	1.95	158	172	9.06			3.6			2.00	179	152	7.97	3.5	2.20	190	143	7.53	3.5	2.30	223	122	6.41	3.3	2.60	246	111	5.82	3.3	2.70	283	96	5.05	3.1			3.00	326	84	4.39	3.0	3.10	131	208	21.93	3.8	2.00		GR59 GRF59	2P	664	40		4.32			1.9	2.80			GR39 GRF39	2P	154			176	18.60				3.6	2.40		171	159	16.79							3.5	2.60					194					140	14.77	3.4	2.90			206		132	13.95				3.4	3.00	242	113	11.88			3.3	3.30	266	102	10.79	3.2	3.50	88	309	16.22	1.9	0.85	GR59 GRF59	4P	709	37	4.05	1.8	3.00	98	277			14.56	2.4	0.90	114	239			12.54	2.9	0.95	121	224	11.79			2.9			1.00	141			193	10.15			2.8	1.10	88	309	16.22	1.9	0.85	98		277	14.56		2.4	0.90	114	239	12.54	2.9	0.95	121	224	11.79	2.9	1.00	141	193	10.15	2.8	1.10																																																																																																																				
61	446	23.44	8.3	1.15	GR69 GRF69	4P	284	93	10.11	2.2	1.65	GR39 GRF39	2P																																																																																																																																																																																																																																																																																																																																																																																																																																																																																					
72	379	19.89	8.0	1.45			80	342	17.95	7.8	1.60					91	301	15.79	7.6	1.75					96	284	14.91	7.5	1.80					113	242	12.70	7.2	2.00					124	220	11.54	7.0	2.10					143	190	10.00	6.7	2.30					53	513	26.97	4.1	0.80	GR59 GRF59	4P		284	93		10.11	2.2	1.65	GR29 GRF29	4P	65	417	21.93	4.2	1.00	GR59 GRF59	4P	303	87	9.47	2.3	1.70	77	354	18.60	4.1	1.20	85	320	16.79	4.0			1.30	97	281	14.77	4.0					1.45	103	266	13.95	3.9					1.50	120	226	11.88	3.8					1.65	133	205			10.79	3.7			1.75					153	178	9.35	3.6	1.95	158	172			9.06			3.6	2.00	179	152	7.97	3.5	2.20			190	143	7.53	3.5	2.30	223	122			6.41	3.3	2.60	246	111	5.82	3.3	2.70	283			96			5.05	3.1	3.00	326	84	4.39	3.0	3.10	131	208	21.93	3.8	2.00	GR59 GRF59	2P	664	40	4.32	1.9	2.80	GR39 GRF39	2P	154	176	18.60			3.6	2.40	171	159	16.79	3.5	2.60	194	140	14.77	3.4				2.90	206		132	13.95	3.4	3.00	242					113	11.88	3.3	3.30	266				102	10.79		3.2	3.50	88							309	16.22					1.9			0.85	GR59 GRF59	4P	709	37	4.05			1.8	3.00	98	277	14.56	2.4	0.90	114	239	12.54	2.9	0.95	121	224	11.79	2.9	1.00	141	193	10.15	2.8	1.10	88	309	16.22	1.9			0.85	98	277	14.56	2.4	0.90	114			239	12.54	2.9	0.95	121			224	11.79	2.9	1.00	141	193			10.15			2.8	1.10																																																																																																																																																							
80	342	17.95	7.8	1.60			91	301	15.79	7.6	1.75					96	284	14.91	7.5	1.80					113	242	12.70	7.2	2.00					124	220	11.54	7.0	2.10					143	190	10.00	6.7	2.30					53	513	26.97	4.1	0.80			GR59 GRF59	4P	284	93	10.11	2.2	1.65	GR29 GRF29	4P	65	417	21.93	4.2	1.00	GR59 GRF59	4P			303	87	9.47	2.3	1.70			77	354	18.60	4.1	1.20	85	320	16.79	4.0	1.30	97	281	14.77	4.0			1.45	103	266	13.95	3.9					1.50	120	226	11.88	3.8					1.65	133	205	10.79	3.7					1.75	153	178			9.35	3.6			1.95			158	172	9.06	3.6	2.00	179	152	7.97	3.5			2.20			190	143	7.53	3.5	2.30	223	122			6.41	3.3	2.60	246	111	5.82	3.3			2.70	283	96	5.05	3.1	3.00	326	84	4.39			3.0			3.10	131	208	21.93	3.8	2.00	GR59 GRF59	2P	664	40	4.32	1.9	2.80			GR39 GRF39	2P	154	176	18.60			3.6	2.40	171			159	16.79	3.5	2.60	194	140	14.77	3.4	2.90	206	132	13.95			3.4	3.00	242	113	11.88	3.3	3.30	266					102	10.79	3.2	3.50	88				309	16.22		1.9	0.85	GR59 GRF59							4P	709			37	4.05	1.8			3.00			98	277	14.56	2.4	0.90	114	239	12.54	2.9	0.95	121	224	11.79	2.9	1.00	141	193	10.15	2.8	1.10	88	309	16.22	1.9	0.85	98	277	14.56	2.4	0.90	114			239	12.54	2.9	0.95	121	224	11.79			2.9	1.00	141	193	10.15			2.8	1.10																																																																																																																																																																		
91	301	15.79	7.6	1.75			96	284	14.91	7.5	1.80					113	242	12.70	7.2	2.00					124	220	11.54	7.0	2.10					143	190	10.00	6.7	2.30					53	513	26.97	4.1	0.80			GR59 GRF59	4P	284	93	10.11	2.2	1.65	GR29 GRF29	4P	65	417	21.93	4.2	1.00	GR59 GRF59	4P			303	87	9.47	2.3	1.70					77	354	18.60	4.1	1.20			85	320	16.79	4.0	1.30	97	281	14.77	4.0	1.45	103	266	13.95	3.9			1.50	120	226	11.88	3.8					1.65	133	205	10.79	3.7					1.75	153	178	9.35	3.6					1.95	158	172	9.06	3.6	2.00	179			152			7.97	3.5	2.20	190	143	7.53	3.5	2.30	223			122			6.41	3.3	2.60	246	111	5.82	3.3			2.70	283	96	5.05	3.1	3.00	326			84	4.39	3.0	3.10	131	208	21.93	3.8	2.00			GR59 GRF59			2P	664	40	4.32	1.9	2.80			GR39 GRF39	2P	154	176	18.60					3.6	2.40	171			159	16.79	3.5	2.60	194	140	14.77	3.4	2.90	206	132	13.95	3.4	3.00	242	113	11.88			3.3	3.30	266	102	10.79	3.2	3.50	88					309	16.22	1.9	0.85	GR59 GRF59				4P	709		37	4.05			1.8	3.00					98	277	14.56	2.4	0.90	114			239			12.54	2.9	0.95	121	224	11.79	2.9	1.00	141	193	10.15	2.8	1.10	88	309	16.22	1.9	0.85	98	277	14.56	2.4	0.90	114	239	12.54	2.9	0.95	121	224	11.79			2.9	1.00	141	193	10.15	2.8	1.10																																																																																																																																																																													
96	284	14.91	7.5	1.80			113	242	12.70	7.2	2.00					124	220	11.54	7.0	2.10					143	190	10.00	6.7	2.30					53	513	26.97	4.1	0.80			GR59 GRF59	4P	284	93	10.11	2.2	1.65	GR29 GRF29	4P	65	417	21.93	4.2	1.00	GR59 GRF59	4P			303	87	9.47	2.3	1.70					77	354	18.60	4.1	1.20					85	320	16.79	4.0	1.30			97	281	14.77	4.0	1.45	103	266	13.95	3.9	1.50	120	226	11.88	3.8			1.65	133	205	10.79	3.7					1.75	153	178	9.35	3.6					1.95	158	172	9.06	3.6			2.00	179	152	7.97	3.5	2.20	190	143	7.53			3.5			2.30	223	122	6.41	3.3	2.60	246	111	5.82			3.3			2.70	283	96	5.05	3.1	3.00	326			84	4.39	3.0	3.10	131	208	21.93			3.8	2.00	GR59 GRF59	2P	664	40	4.32	1.9	2.80							GR39 GRF39	2P	154	176	18.60					3.6	2.40	171					159	16.79	3.5			2.60	194	140	14.77	3.4	2.90	206	132	13.95	3.4	3.00	242	113	11.88	3.3	3.30	266			102	10.79	3.2	3.50	88	309	16.22	1.9					0.85	GR59 GRF59	4P	709						37		4.05	1.8		3.00	98	277	14.56				2.4	0.90	114	239	12.54	2.9	0.95	121	224			11.79	2.9	1.00	141	193	10.15	2.8	1.10	88	309	16.22	1.9	0.85	98	277	14.56	2.4	0.90	114	239	12.54	2.9	0.95	121	224	11.79	2.9	1.00	141	193	10.15			2.8	1.10																																																																																																																																																																																		
113	242	12.70	7.2	2.00			124	220	11.54	7.0	2.10					143	190	10.00	6.7	2.30					53	513	26.97	4.1	0.80			GR59 GRF59	4P	284	93	10.11	2.2	1.65	GR29 GRF29	4P	65	417	21.93	4.2	1.00	GR59 GRF59	4P			303	87	9.47	2.3	1.70					77	354	18.60	4.1	1.20					85	320	16.79	4.0	1.30					97	281	14.77	4.0	1.45			103	266	13.95	3.9	1.50	120	226	11.88	3.8	1.65	133	205	10.79	3.7			1.75	153	178	9.35	3.6					1.95	158	172	9.06	3.6			2.00	179	152	7.97	3.5	2.20	190			143	7.53	3.5	2.30	223	122	6.41	3.3	2.60			246			111	5.82	3.3	2.70	283	96	5.05	3.1	3.00			326			84	4.39	3.0	3.10	131	208	21.93			3.8	2.00	GR59 GRF59	2P	664	40	4.32			1.9	2.80			GR39 GRF39	2P	154	176	18.60				3.6	2.40				171	159	16.79					3.5	2.60	194					140	14.77	3.4			2.90	206	132	13.95	3.4	3.00	242	113	11.88	3.3	3.30	266	102	10.79	3.2	3.50	88			309	16.22	1.9	0.85	GR59 GRF59	4P	709	37					4.05			1.8		3.00	98			277		14.56	2.4		0.90	114	239	12.54	2.9	0.95		121	224	11.79	2.9	1.00	141	193	10.15	2.8			1.10	88	309	16.22	1.9	0.85	98	277	14.56	2.4	0.90	114	239	12.54	2.9	0.95	121	224	11.79	2.9	1.00	141	193	10.15	2.8	1.10																																																																																																																																																																																											
124	220	11.54	7.0	2.10			143	190	10.00	6.7	2.30					53	513	26.97	4.1	0.80	GR59 GRF59	4P			284	93	10.11	2.2	1.65	GR29 GRF29	4P	65	417	21.93	4.2	1.00	GR59 GRF59	4P			303	87	9.47	2.3	1.70					77	354	18.60	4.1	1.20					85	320	16.79	4.0	1.30					97	281	14.77	4.0	1.45					103	266	13.95	3.9	1.50			120	226	11.88	3.8	1.65	133	205	10.79	3.7	1.75	153	178	9.35	3.6			1.95	158	172	9.06	3.6			2.00	179	152	7.97	3.5	2.20	190			143	7.53	3.5	2.30	223	122	6.41			3.3	2.60	246	111	5.82	3.3	2.70	283	96			5.05			3.1	3.00	326	84	4.39	3.0	3.10	131	208			21.93			3.8	2.00	GR59 GRF59	2P	664	40	4.32			1.9	2.80			GR39 GRF39	2P	154			176	18.60					3.6	2.40	171	159	16.79		3.5	2.60				194	140	14.77					3.4	2.90	206					132	13.95	3.4			3.00	242	113	11.88	3.3	3.30	266	102	10.79	3.2	3.50	88	309	16.22	1.9	0.85	GR59 GRF59			4P	709	37	4.05			1.8	3.00	98	277			14.56			2.4		0.90	114	239		12.54	2.9	0.95	121		224	11.79	2.9	1.00	141	193		10.15	2.8	1.10	88	309	16.22	1.9	0.85	98			277	14.56	2.4	0.90	114	239	12.54	2.9	0.95	121	224	11.79	2.9	1.00	141	193	10.15	2.8	1.10																																																																																																																																																																																																		
143	190	10.00	6.7	2.30			53	513	26.97	4.1	0.80			GR59 GRF59	4P	284	93	10.11	2.2	1.65	GR29 GRF29	4P	65	417	21.93	4.2	1.00	GR59 GRF59	4P			303	87	9.47	2.3	1.70					77	354	18.60	4.1	1.20					85	320	16.79	4.0	1.30					97	281	14.77	4.0	1.45					103	266	13.95	3.9	1.50					120	226	11.88	3.8	1.65			133	205	10.79	3.7	1.75	153	178	9.35	3.6	1.95	158	172	9.06	3.6	2.00	179	152	7.97	3.5	2.20	190			143	7.53	3.5	2.30	223	122	6.41			3.3	2.60	246	111	5.82	3.3	2.70			283	96	5.05	3.1	3.00	326	84	4.39	3.0			3.10			131	208	21.93	3.8	2.00	GR59 GRF59	2P	664	40			4.32			1.9	2.80			GR39 GRF39	2P	154			176	18.60					3.6	2.40	171	159	16.79					3.5	2.60	194	140	14.77		3.4	2.90				206	132	13.95					3.4	3.00	242					113	11.88	3.3			3.30	266	102	10.79	3.2	3.50	88	309	16.22	1.9	0.85	GR59 GRF59	4P	709	37	4.05		1.8	3.00		98	277	14.56			2.4	0.90	114	239	12.54	2.9	0.95			121		224	11.79	2.9		1.00	141	193	10.15		2.8	1.10	88	309	16.22	1.9		0.85	98	277	14.56	2.4	0.90	114	239	12.54			2.9	0.95	121	224	11.79	2.9	1.00	141	193	10.15	2.8	1.10																																																																																																																																																																																																									
53	513	26.97	4.1	0.80	GR59 GRF59	4P	284	93	10.11	2.2	1.65	GR29 GRF29	4P																																																																																																																																																																																																																																																																																																																																																																																																																																																																																					
65	417	21.93	4.2	1.00	GR59 GRF59	4P	303	87	9.47	2.3	1.70			77	354	18.60	4.1	1.20	85	320			16.79	4.0	1.30	97	281					14.77	4.0	1.45	103	266					13.95	3.9	1.50	120	226					11.88	3.8	1.65	133	205					10.79	3.7	1.75	153	178					9.35	3.6	1.95	158	172			9.06	3.6	2.00	179	152	7.97	3.5			2.20	190	143	7.53	3.5	2.30	223	122	6.41	3.3	2.60	246	111	5.82	3.3	2.70	283	96	5.05	3.1	3.00			326	84	4.39	3.0	3.10	131	208			21.93	3.8	2.00	GR59 GRF59	2P	664	40			4.32	1.9	2.80	GR39 GRF39	2P	154	176	18.60	3.6			2.40			171	159	16.79	3.5	2.60			194	140			14.77	3.4	2.90	206	132					13.95	3.4	3.00	242	113					11.88	3.3	3.30	266	102					10.79	3.2	3.50	88	309		16.22	1.9				0.85	GR59 GRF59	4P					709	37	4.05	1.8	3.00			98	277	14.56	2.4	0.90	114	239	12.54	2.9	0.95	121	224	11.79	2.9	1.00	141			193	10.15	2.8		1.10	88		309	16.22	1.9			0.85	98	277	14.56	2.4	0.90	114			239		12.54	2.9	0.95		121	224	11.79	2.9		1.00	141	193	10.15	2.8	1.10																																																																																																																																																																																																																																	
77	354	18.60	4.1	1.20			85	320	16.79	4.0	1.30			97	281	14.77	4.0	1.45	103	266			13.95	3.9	1.50	120	226					11.88	3.8	1.65	133	205					10.79	3.7	1.75	153	178					9.35	3.6	1.95	158	172					9.06	3.6	2.00	179	152			7.97	3.5	2.20	190	143	7.53	3.5			2.30	223	122	6.41	3.3	2.60	246			111	5.82	3.3	2.70	283	96	5.05	3.1	3.00	326	84	4.39	3.0	3.10	131	208	21.93	3.8	2.00	GR59 GRF59	2P			664	40	4.32	1.9	2.80	GR39 GRF39	2P			154	176	18.60			3.6	2.40			171	159	16.79			3.5	2.60	194	140			14.77			3.4	2.90	206	132	13.95			3.4	3.00	242	113	11.88	3.3	3.30	266	102					10.79	3.2	3.50	88	309					16.22	1.9	0.85	GR59 GRF59	4P					709	37	4.05	1.8	3.00		98	277				14.56			2.4	0.90			114	239	12.54	2.9	0.95	121	224	11.79	2.9	1.00	141	193	10.15	2.8	1.10	88	309	16.22	1.9	0.85	98	277	14.56			2.4	0.90	114		239	12.54		2.9	0.95	121			224	11.79	2.9	1.00	141	193	10.15			2.8		1.10																																																																																																																																																																																																																																															
85	320	16.79	4.0	1.30			97	281	14.77	4.0	1.45			103	266	13.95	3.9	1.50	120	226			11.88	3.8	1.65	133	205					10.79	3.7	1.75	153	178					9.35	3.6	1.95	158	172					9.06	3.6	2.00	179	152			7.97	3.5	2.20	190	143	7.53	3.5			2.30	223	122	6.41	3.3	2.60	246			111	5.82	3.3	2.70	283	96	5.05			3.1	3.00	326	84	4.39	3.0	3.10	131	208	21.93	3.8	2.00	GR59 GRF59	2P	664	40	4.32	1.9	2.80					GR39 GRF39	2P	154	176	18.60					3.6	2.40	171			159	16.79			3.5	2.60	194			140	14.77	3.4	2.90			206	132	13.95	3.4	3.00	242	113	11.88			3.3	3.30	266	102	10.79	3.2	3.50	88	309					16.22	1.9	0.85	GR59 GRF59	4P					709	37	4.05							1.8	3.00	98	277	14.56	2.4	0.90	114	239			12.54			2.9	0.95	121	224	11.79	2.9	1.00	141	193	10.15	2.8	1.10	88	309	16.22	1.9	0.85	98	277	14.56	2.4	0.90	114	239	12.54	2.9	0.95			121	224	11.79		2.9	1.00		141	193	10.15			2.8	1.10																																																																																																																																																																																																																																																									
97	281	14.77	4.0	1.45			103	266	13.95	3.9	1.50			120	226	11.88	3.8	1.65	133	205			10.79	3.7	1.75	153	178					9.35	3.6	1.95	158	172					9.06	3.6	2.00	179	152			7.97	3.5	2.20	190	143	7.53	3.5			2.30	223	122	6.41	3.3	2.60	246			111	5.82	3.3	2.70	283	96	5.05			3.1	3.00	326	84	4.39	3.0	3.10			131	208	21.93	3.8	2.00	GR59 GRF59	2P	664	40	4.32	1.9	2.80			GR39 GRF39	2P	154	176	18.60							3.6	2.40	171					159	16.79	3.5			2.60	194			140	14.77	3.4			2.90	206	132	13.95	3.4	3.00	242	113	11.88	3.3	3.30	266	102	10.79			3.2	3.50	88	309	16.22	1.9	0.85	GR59 GRF59	4P					709	37	4.05							1.8	3.00	98			277	14.56			2.4	0.90	114	239	12.54	2.9	0.95	121	224	11.79	2.9	1.00			141	193	10.15	2.8	1.10	88	309	16.22	1.9	0.85	98	277	14.56	2.4	0.90	114	239	12.54	2.9	0.95	121	224	11.79	2.9	1.00	141	193			10.15	2.8	1.10																																																																																																																																																																																																																																																																				
103	266	13.95	3.9	1.50			120	226	11.88	3.8	1.65			133	205	10.79	3.7	1.75	153	178			9.35	3.6	1.95	158	172					9.06	3.6	2.00	179	152			7.97	3.5	2.20	190	143	7.53	3.5			2.30	223	122	6.41	3.3	2.60	246			111	5.82	3.3	2.70	283	96	5.05			3.1	3.00	326	84	4.39	3.0	3.10			131	208	21.93	3.8	2.00	GR59 GRF59	2P			664	40	4.32	1.9	2.80			GR39 GRF39	2P	154	176	18.60					3.6	2.40	171							159	16.79	3.5					2.60	194	140			14.77	3.4	2.90	206	132	13.95	3.4			3.00	242	113	11.88	3.3	3.30	266	102	10.79	3.2	3.50	88	309	16.22			1.9	0.85	GR59 GRF59	4P	709	37	4.05							1.8	3.00	98			277	14.56			2.4	0.90	114			239	12.54	2.9	0.95	121	224	11.79	2.9	1.00	141	193	10.15	2.8	1.10	88	309			16.22	1.9	0.85	98	277	14.56	2.4	0.90	114	239	12.54	2.9	0.95	121	224	11.79	2.9	1.00	141	193	10.15	2.8	1.10																																																																																																																																																																																																																																																																													
120	226	11.88	3.8	1.65			133	205	10.79	3.7	1.75			153	178	9.35	3.6	1.95	158	172			9.06	3.6	2.00	179	152			7.97	3.5	2.20	190	143	7.53	3.5			2.30	223	122	6.41	3.3	2.60	246			111	5.82	3.3	2.70	283	96	5.05			3.1	3.00	326	84	4.39	3.0	3.10			131	208	21.93	3.8	2.00	GR59 GRF59	2P			664	40	4.32	1.9	2.80					GR39 GRF39	2P	154	176	18.60					3.6	2.40	171					159	16.79	3.5							2.60	194	140			14.77	3.4	2.90	206	132			13.95	3.4	3.00	242	113	11.88	3.3			3.30	266	102	10.79	3.2	3.50	88	309	16.22	1.9	0.85	GR59 GRF59	4P	709			37	4.05			1.8	3.00	98			277	14.56			2.4	0.90	114			239	12.54	2.9	0.95	121	224	11.79			2.9	1.00	141	193	10.15	2.8	1.10	88	309	16.22	1.9	0.85	98	277	14.56	2.4			0.90	114	239	12.54	2.9	0.95	121	224	11.79	2.9	1.00	141	193	10.15	2.8	1.10																																																																																																																																																																																																																																																																																				
133	205	10.79	3.7	1.75			153	178	9.35	3.6	1.95			158	172	9.06	3.6	2.00	179	152	7.97	3.5	2.20	190	143	7.53	3.5			2.30	223	122	6.41	3.3	2.60	246			111	5.82	3.3	2.70	283	96	5.05			3.1	3.00	326	84	4.39	3.0	3.10			131	208	21.93	3.8	2.00	GR59 GRF59	2P			664	40	4.32	1.9	2.80					GR39 GRF39	2P	154	176	18.60							3.6	2.40	171					159	16.79	3.5					2.60	194	140			14.77	3.4			2.90	206	132			13.95	3.4	3.00	242	113			11.88	3.3	3.30	266	102	10.79	3.2			3.50	88	309	16.22	1.9	0.85	GR59 GRF59	4P	709	37	4.05			1.8	3.00	98	277	14.56			2.4	0.90	114			239	12.54	2.9	0.95	121	224	11.79			2.9	1.00	141	193	10.15	2.8	1.10			88	309	16.22	1.9	0.85	98	277	14.56	2.4	0.90	114	239	12.54	2.9	0.95	121			224	11.79	2.9	1.00	141	193	10.15	2.8	1.10																																																																																																																																																																																																																																																																																											
153	178	9.35	3.6	1.95			158	172	9.06	3.6	2.00	179	152	7.97	3.5	2.20	190	143	7.53	3.5	2.30	223	122	6.41	3.3	2.60	246			111	5.82	3.3	2.70	283	96	5.05			3.1	3.00	326	84	4.39	3.0	3.10			131	208	21.93	3.8	2.00	GR59 GRF59	2P			664	40	4.32	1.9	2.80					GR39 GRF39	2P	154	176	18.60							3.6	2.40	171							159	16.79	3.5					2.60	194	140					14.77	3.4	2.90			206	132			13.95	3.4	3.00			242	113	11.88	3.3	3.30			266	102	10.79	3.2	3.50	88	309			16.22	1.9	0.85	GR59 GRF59	4P	709			37	4.05	1.8			3.00	98	277	14.56	2.4			0.90	114	239			12.54	2.9	0.95	121	224	11.79	2.9			1.00	141	193	10.15	2.8	1.10	88			309	16.22	1.9	0.85	98	277	14.56	2.4	0.90	114	239	12.54	2.9	0.95	121	224			11.79	2.9	1.00	141	193	10.15	2.8	1.10																																																																																																																																																																																																																																																																																												
158	172	9.06	3.6	2.00			179	152	7.97	3.5	2.20	190	143	7.53	3.5	2.30	223	122	6.41	3.3	2.60	246	111	5.82	3.3	2.70	283			96	5.05	3.1	3.00	326	84	4.39			3.0	3.10	131	208	21.93	3.8	2.00			GR59 GRF59	2P	664	40	4.32					1.9	2.80	GR39 GRF39	2P	154							176	18.60	3.6							2.40	171	159			16.79	3.5			2.60	194	140					14.77	3.4	2.90					206	132	13.95			3.4	3.00			242	113	11.88			3.3	3.30	266	102	10.79	3.2	3.50	88	309	16.22	1.9	0.85	GR59 GRF59	4P	709	37	4.05	1.8	3.00			98			277	14.56	2.4			0.90	114	239	12.54	2.9			0.95	121	224			11.79	2.9	1.00	141	193	10.15	2.8			1.10	88	309	16.22	1.9	0.85	98			277	14.56	2.4	0.90	114	239	12.54	2.9	0.95	121	224	11.79	2.9	1.00	141	193	10.15	2.8	1.10																																																																																																																																																																																																																																																																																																			
179	152	7.97	3.5	2.20			190	143	7.53	3.5	2.30	223	122	6.41	3.3	2.60	246	111	5.82	3.3	2.70	283	96	5.05	3.1	3.00	326			84	4.39	3.0	3.10	131	208	21.93			3.8	2.00	GR59 GRF59	2P	664	40	4.32					1.9	2.80	GR39 GRF39					2P	154			176							18.60	3.6	2.40			171	159			16.79	3.5	2.60			194	140			14.77	3.4	2.90					206	132	13.95					3.4	3.00	242	113	11.88	3.3	3.30			266	102	10.79	3.2	3.50	88	309	16.22	1.9	0.85	GR59 GRF59	4P	709	37	4.05	1.8	3.00			98	277	14.56	2.4	0.90			114			239	12.54	2.9			0.95	121	224	11.79	2.9			1.00	141	193			10.15	2.8	1.10	88	309	16.22	1.9			0.85	98	277	14.56	2.4	0.90	114	239	12.54	2.9	0.95	121	224	11.79	2.9	1.00	141	193	10.15	2.8	1.10																																																																																																																																																																																																																																																																																																										
190	143	7.53	3.5	2.30			223	122	6.41	3.3	2.60	246	111	5.82	3.3	2.70	283	96	5.05	3.1	3.00	326	84	4.39	3.0	3.10	131			208	21.93	3.8	2.00	GR59 GRF59	2P	664			40	4.32			1.9	2.80	GR39 GRF39					2P	154							176			18.60			3.6	2.40			171	159	16.79			3.5	2.60			194	140	14.77			3.4	2.90			206	132	13.95					3.4	3.00	242	113	11.88			3.3	3.30	266	102	10.79	3.2	3.50	88	309	16.22	1.9	0.85	GR59 GRF59	4P	709	37	4.05	1.8	3.00			98	277	14.56	2.4	0.90			114	239	12.54	2.9	0.95			121			224	11.79	2.9			1.00	141	193	10.15	2.8			1.10	88	309			16.22	1.9	0.85	98	277	14.56	2.4	0.90	114	239	12.54	2.9	0.95	121	224	11.79	2.9	1.00	141	193	10.15	2.8	1.10																																																																																																																																																																																																																																																																																																																	
223	122	6.41	3.3	2.60			246	111	5.82	3.3	2.70	283	96	5.05	3.1	3.00	326	84	4.39	3.0	3.10	131	208	21.93	3.8	2.00	GR59 GRF59			2P	664	40	4.32			1.9			2.80	GR39 GRF39			2P	154							176				18.60	3.6		2.40			171			159	16.79			3.5	2.60	194			140	14.77			3.4	2.90	206			132	13.95			3.4	3.00	242	113	11.88			3.3	3.30	266	102	10.79	3.2	3.50	88	309	16.22	1.9	0.85	GR59 GRF59	4P	709	37	4.05	1.8	3.00			98	277	14.56	2.4	0.90			114	239	12.54	2.9	0.95			121	224	11.79	2.9	1.00			141			193	10.15	2.8			1.10	88	309	16.22	1.9			0.85	98	277	14.56	2.4	0.90	114	239	12.54	2.9	0.95	121	224	11.79	2.9	1.00	141	193	10.15	2.8	1.10																																																																																																																																																																																																																																																																																																																								
246	111	5.82	3.3	2.70			283	96	5.05	3.1	3.00	326	84	4.39	3.0	3.10	131	208	21.93	3.8	2.00	GR59 GRF59	2P	664	40	4.32					1.9	2.80	GR39 GRF39			2P			154					176		18.60	3.6				2.40				171	159		16.79			3.5			2.60	194			140	14.77	3.4			2.90	206			132	13.95	3.4	3.00	242	113	11.88			3.3	3.30	266	102	10.79	3.2	3.50	88	309	16.22	1.9	0.85	GR59 GRF59	4P	709	37	4.05	1.8	3.00			98	277	14.56	2.4	0.90			114	239	12.54	2.9	0.95			121	224	11.79	2.9	1.00			141	193	10.15	2.8	1.10			88			309	16.22	1.9			0.85	98	277	14.56	2.4	0.90	114	239	12.54	2.9	0.95	121	224	11.79	2.9	1.00	141	193	10.15	2.8	1.10																																																																																																																																																																																																																																																																																																																															
283	96	5.05	3.1	3.00			326	84	4.39	3.0	3.10	131	208	21.93	3.8	2.00	GR59 GRF59	2P	664	40	4.32			1.9	2.80	GR39 GRF39					2P	154					176	18.60	3.6					2.40		171	159				16.79				3.5	2.60		194			140			14.77	3.4			2.90	206	132	13.95	3.4	3.00	242			113	11.88	3.3	3.30	266	102	10.79	3.2	3.50	88	309	16.22	1.9	0.85	GR59 GRF59	4P	709	37	4.05	1.8	3.00			98	277	14.56	2.4	0.90			114	239	12.54	2.9	0.95			121	224	11.79	2.9	1.00			141	193	10.15	2.8	1.10			88	309	16.22	1.9	0.85			98			277	14.56	2.4	0.90	114	239	12.54	2.9	0.95	121	224	11.79	2.9	1.00	141	193	10.15	2.8	1.10																																																																																																																																																																																																																																																																																																																																						
326	84	4.39	3.0	3.10			131	208	21.93	3.8	2.00	GR59 GRF59	2P	664	40	4.32			1.9	2.80	GR39 GRF39			2P	154			176	18.60			3.6					2.40	171	159					16.79		3.5	2.60				194				140	14.77		3.4			2.90	206	132	13.95	3.4			3.00	242	113	11.88	3.3	3.30	266	102	10.79	3.2	3.50	88	309	16.22	1.9	0.85	GR59 GRF59	4P	709	37	4.05	1.8	3.00			98	277	14.56	2.4	0.90			114	239	12.54	2.9	0.95			121	224	11.79	2.9	1.00			141	193	10.15	2.8	1.10			88	309	16.22	1.9	0.85			98	277	14.56	2.4	0.90			114	239	12.54	2.9	0.95	121	224	11.79	2.9	1.00	141	193	10.15	2.8	1.10																																																																																																																																																																																																																																																																																																																																													
131	208	21.93	3.8	2.00			GR59 GRF59	2P	664	40	4.32			1.9	2.80	GR39 GRF39			2P																																																																																																																																																																																																																																																																																																																																																																																																																																																																															
154	176	18.60	3.6	2.40	171	159			16.79	3.5	2.60			194	140					14.77					3.4			2.90	206			132					13.95	3.4	3.00					242		113	11.88	3.3	3.30		266		102	10.79	3.2	3.50		88	309	16.22	1.9	0.85	GR59 GRF59	4P	709	37	4.05	1.8	3.00	98	277	14.56	2.4	0.90	114	239	12.54	2.9	0.95	121	224	11.79	2.9			1.00	141	193	10.15	2.8			1.10	88	309	16.22	1.9			0.85	98	277	14.56	2.4			0.90	114	239	12.54	2.9			0.95	121	224	11.79	2.9			1.00	141	193	10.15	2.8	1.10																																																																																																																																																																																																																																																																																																																																																																				
171	159	16.79	3.5	2.60	194	140			14.77	3.4	2.90			206	132					13.95					3.4			3.00	242			113					11.88	3.3	3.30		266	102		10.79		3.2	3.50	88	309		16.22	1.9	0.85	GR59 GRF59	4P	709	37	4.05	1.8	3.00	98	277			14.56	2.4	0.90	114	239	12.54	2.9	0.95	121	224	11.79	2.9	1.00	141	193	10.15	2.8	1.10	88			309	16.22	1.9	0.85	98			277	14.56	2.4	0.90	114			239	12.54	2.9	0.95	121			224	11.79	2.9	1.00	141			193	10.15	2.8	1.10																																																																																																																																																																																																																																																																																																																																																																													
194	140	14.77	3.4	2.90	206	132			13.95	3.4	3.00			242	113					11.88					3.3			3.30	266			102		10.79	3.2		3.50	88	309		16.22	1.9		0.85	GR59 GRF59	4P	709	37	4.05	1.8	3.00	98	277			14.56	2.4	0.90	114	239	12.54	2.9			0.95	121	224	11.79	2.9	1.00	141	193	10.15	2.8	1.10	88	309	16.22	1.9	0.85	98	277	14.56			2.4	0.90	114	239	12.54			2.9	0.95	121	224	11.79			2.9	1.00	141	193	10.15			2.8	1.10																																																																																																																																																																																																																																																																																																																																																																																						
206	132	13.95	3.4	3.00	242	113			11.88	3.3	3.30			266	102					10.79					3.2		3.50	88	309	16.22		1.9		0.85	GR59 GRF59		4P	709	37	4.05	1.8	3.00	98	277			14.56	2.4	0.90	114	239	12.54	2.9			0.95	121	224	11.79	2.9	1.00	141			193	10.15	2.8	1.10	88	309	16.22	1.9	0.85	98	277	14.56	2.4	0.90	114	239	12.54	2.9	0.95			121	224	11.79	2.9	1.00			141	193	10.15	2.8	1.10																																																																																																																																																																																																																																																																																																																																																																																																	
242	113	11.88	3.3	3.30	266	102			10.79	3.2	3.50			88	309					16.22		1.9	0.85		GR59 GRF59		4P	709	37	4.05		1.8	3.00	98		277		14.56	2.4	0.90	114	239	12.54	2.9			0.95	121	224	11.79	2.9	1.00	141			193	10.15	2.8	1.10	88	309	16.22			1.9	0.85	98	277	14.56	2.4	0.90	114	239	12.54	2.9	0.95	121	224	11.79	2.9	1.00	141	193			10.15	2.8	1.10																																																																																																																																																																																																																																																																																																																																																																																																										
266	102	10.79	3.2	3.50	88	309			16.22	1.9	0.85			GR59 GRF59	4P		709	37		4.05		1.8	3.00			98		277	14.56	2.4	0.90	114	239	12.54		2.9		0.95	121	224	11.79	2.9	1.00	141			193	10.15	2.8	1.10	88	309	16.22			1.9	0.85	98	277	14.56	2.4	0.90			114	239	12.54	2.9	0.95	121	224	11.79	2.9	1.00	141	193	10.15	2.8	1.10																																																																																																																																																																																																																																																																																																																																																																																																																			
88	309	16.22	1.9	0.85	GR59 GRF59	4P			709	37	4.05	1.8	3.00				98	277		14.56	2.4	0.90	114	239		12.54		2.9	0.95	121	224	11.79	2.9	1.00		141		193	10.15	2.8	1.10	88	309	16.22			1.9	0.85	98	277	14.56	2.4	0.90			114	239	12.54	2.9	0.95	121	224			11.79	2.9	1.00	141	193	10.15	2.8	1.10																																																																																																																																																																																																																																																																																																																																																																																																																										
98	277	14.56	2.4	0.90			114	239	12.54	2.9	0.95	121	224			11.79	2.9	1.00	141	193	10.15	2.8	1.10	88		309		16.22	1.9	0.85	98	277	14.56	2.4		0.90		114	239	12.54	2.9	0.95	121	224			11.79	2.9	1.00	141	193	10.15	2.8			1.10																																																																																																																																																																																																																																																																																																																																																																																																																																										
114	239	12.54	2.9	0.95			121	224	11.79	2.9	1.00	141	193			10.15	2.8	1.10	88	309	16.22	1.9	0.85	98		277		14.56	2.4	0.90	114	239	12.54	2.9		0.95		121	224	11.79	2.9	1.00	141	193			10.15	2.8	1.10																																																																																																																																																																																																																																																																																																																																																																																																																																																	
121	224	11.79	2.9	1.00			141	193	10.15	2.8	1.10	88	309			16.22	1.9	0.85	98	277	14.56	2.4	0.90	114		239		12.54	2.9	0.95	121	224	11.79	2.9		1.00		141	193	10.15	2.8	1.10																																																																																																																																																																																																																																																																																																																																																																																																																																																								
141	193	10.15	2.8	1.10			88	309	16.22	1.9	0.85	98	277			14.56	2.4	0.90	114	239	12.54	2.9	0.95	121		224		11.79	2.9	1.00	141	193	10.15	2.8		1.10																																																																																																																																																																																																																																																																																																																																																																																																																																																														
88	309	16.22	1.9	0.85			98	277	14.56	2.4	0.90	114	239			12.54	2.9	0.95	121	224	11.79	2.9	1.00	141		193		10.15	2.8	1.10																																																																																																																																																																																																																																																																																																																																																																																																																																																																				
98	277	14.56	2.4	0.90			114	239	12.54	2.9	0.95	121	224			11.79	2.9	1.00	141	193	10.15	2.8	1.10																																																																																																																																																																																																																																																																																																																																																																																																																																																																											
114	239	12.54	2.9	0.95			121	224	11.79	2.9	1.00	141	193	10.15	2.8	1.10																																																																																																																																																																																																																																																																																																																																																																																																																																																																																		
121	224	11.79	2.9	1.00	141	193	10.15	2.8	1.10																																																																																																																																																																																																																																																																																																																																																																																																																																																																																									
141	193	10.15	2.8	1.10																																																																																																																																																																																																																																																																																																																																																																																																																																																																																														

选型参数表
(恒功率)
Selection Table
(Constant Power)

n_a [r/min]	M_a [N.m]	i	F_{Ra} [kN]	f_B	机型号 Type size	极数 Pole	n_a [r/min]	M_a [N.m]	i	F_{Ra} [kN]	f_B	机型号 Type size	极数 Pole																																																																																																																																																																																																																																																																																																																																																																																																																																																																		
3kW							4kW																																																																																																																																																																																																																																																																																																																																																																																																																																																																								
596	47	2.40	2.7	2.50	GRX69 GRXF69	4P	3.8	9002	376	43	0.90	GR139R79 GRF139R79	4P																																																																																																																																																																																																																																																																																																																																																																																																																																																																		
701	40	2.04	2.6	3.20			769	36	1.86	2.5	3.30			888	31	1.61	2.4	3.50	1021	27	1.40	2.3	3.60	455	61	3.14	2.2	1.00	GRX59 GRXF59	4P	7.7	4477	187	26	0.95	GR109R79 GRF109R79	4P	542	52	2.64	2.1	1.30	603	46	2.37	2.1	1.40	701	40	2.04	2.0	1.65	745	38	1.92	2.0	1.75	867	32	1.65	1.9	2.00	966	29	1.48	1.8	2.20	1135	25	1.26	1.8	2.40	4kW							4kW							0.85	43008	1691	128	0.85	GR179R109 GRF179R109	4P	4.1	8790	174.40	46	0.85	GR139 GRF139	8P	0.96	38147	1499	128	0.95	1.06	34487	1355	128	1.05	1.28	30613	1129	128	1.20	1.35	27114	1066	128	1.35	1.50	24416	959	128	1.50	1.80	21664	799	128	1.70	1.87	19608	770	128	1.85	2.07	17711	696	128	2.05	2.44	15013	590	128	2.45	2.93	13330	492	128	2.75	1.00	37855	1435	128	0.95	GR179R99 GRF179R99	4P	4.3	8415	222.60	48	0.90	GR139 GRF139	6P	1.21	32443	1189	128	1.15	1.25	30454	1154	128	1.20	1.50	26103	957	128	1.40	1.9	20957	768	128	1.75	2.0	18729	710	128	1.95	2.6	14192	563	128	2.60	3.0	12707	481	128	2.90	1.7	20613	861	114	0.85	GR169R99 GRF169R99	4P	8.4	4343	172.34	26	0.95	GR109 GRF109	4P	1.9	18195	760	114	0.95	2.2	15706	656	114	1.15	2.9	12042	503	114	1.45	3.8	9026	377	114	2.00	4.3	8020	335	114	2.20	2.7	12761	533	59	1.00	GR149R89 GRF149R89	4P	9.1	3999	158.68	28	1.00	GR99 GRF99	4P	3.1	11061	462	63	1.20	3.4	10199	426	64	1.25	3.9	8810	368	66	1.50	4.4	7805	326	67	1.70	5.1	6704	280	68	1.95	5.8	5914	247	69	2.20	GR149R89 GRF149R89	4P	10	3574	141.83	30	1.15	GR99 GRF99	4P	6.7	5123	214	69	2.50	7.6	4525	189	70	2.95	9.1	3807	159	70	3.35	2.3	14820	619	44	0.90	2.6	13359	558	58	1.00	GR149R79 GRF149R79	4P	11	3218	127.68	32	1.25	GR109 GRF109	4P	2.9	11707	489	61	1.15	3.5	9936	415	64	1.30	3.8	9122	381	43	0.85	GR139R79 GRF139R79	4P	12	2914	115.63	33	1.40	GR99 GRF99	4P	4.5	7733	323	51	1.05	4.9	6967	291	52	1.15	5.6	6105	255	54	1.30	6.5	5339	223	55	1.50	23	1612	63.96	13	0.90	24	1527	60.61	13	0.95	27	1337	53.05	14	1.10	30	1204	47.79	15	1.20	34	1056	41.92	16	1.40																																																																					
769	36	1.86	2.5	3.30																																																																																																																																																																																																																																																																																																																																																																																																																																																																											
888	31	1.61	2.4	3.50			1021	27	1.40	2.3	3.60	455	61	3.14	2.2	1.00	GRX59 GRXF59	4P	7.7	4477	187	26	0.95	GR109R79 GRF109R79	4P	542	52	2.64			2.1	1.30	603	46	2.37	2.1	1.40	701	40	2.04	2.0	1.65	745	38	1.92	2.0	1.75	867	32	1.65	1.9	2.00	966	29	1.48	1.8	2.20	1135	25	1.26	1.8	2.40	4kW							4kW							0.85	43008	1691	128	0.85	GR179R109 GRF179R109	4P	4.1	8790	174.40	46	0.85	GR139 GRF139	8P	0.96			38147	1499	128	0.95	1.06			34487	1355	128	1.05	1.28	30613	1129	128	1.20	1.35	27114	1066	128	1.35	1.50	24416	959	128	1.50	1.80	21664	799	128	1.70	1.87	19608	770	128	1.85	2.07	17711	696	128	2.05	2.44	15013	590	128	2.45	2.93	13330	492	128	2.75	1.00	37855	1435	128	0.95	GR179R99 GRF179R99	4P	4.3	8415	222.60	48			0.90	GR139 GRF139	6P	1.21	32443			1189	128	1.15	1.25	30454	1154	128	1.20	1.50	26103	957	128	1.40	1.9	20957	768	128	1.75	2.0	18729	710	128	1.95	2.6	14192	563	128	2.60	3.0	12707	481	128	2.90	1.7	20613	861	114	0.85	GR169R99 GRF169R99	4P			8.4	4343	172.34	26	0.95			GR109 GRF109	4P	1.9	18195	760	114	0.95	2.2	15706	656	114	1.15	2.9	12042	503	114	1.45	3.8	9026	377	114	2.00	4.3	8020	335	114	2.20	2.7	12761	533			59	1.00	GR149R89 GRF149R89	4P	9.1			3999	158.68	28	1.00	GR99 GRF99	4P	3.1	11061	462	63	1.20	3.4	10199	426	64	1.25	3.9	8810	368	66	1.50	4.4	7805	326	67	1.70	5.1	6704	280	68			1.95	5.8	5914	247	69			2.20	GR149R89 GRF149R89	4P	10	3574	141.83	30	1.15	GR99 GRF99	4P	6.7	5123	214	69	2.50	7.6	4525	189	70	2.95	9.1	3807	159	70	3.35			2.3	14820	619	44	0.90			2.6	13359	558	58	1.00	GR149R79 GRF149R79	4P	11	3218	127.68	32	1.25	GR109 GRF109	4P	2.9			11707	489	61	1.15	3.5			9936	415	64	1.30	3.8	9122	381	43	0.85	GR139R79 GRF139R79	4P	12	2914	115.63	33	1.40	GR99 GRF99	4P	4.5	7733	323	51	1.05	4.9	6967	291	52	1.15	5.6	6105	255	54	1.30	6.5	5339	223	55	1.50	23	1612	63.96	13	0.90	24	1527	60.61	13	0.95	27	1337	53.05	14	1.10	30	1204	47.79	15	1.20	34	1056	41.92	16	1.40																																																			
1021	27	1.40	2.3	3.60																																																																																																																																																																																																																																																																																																																																																																																																																																																																											
455	61	3.14	2.2	1.00	GRX59 GRXF59	4P	7.7	4477	187	26	0.95	GR109R79 GRF109R79	4P																																																																																																																																																																																																																																																																																																																																																																																																																																																																		
542	52	2.64	2.1	1.30			603	46	2.37	2.1	1.40			701	40	2.04			2.0	1.65	745	38	1.92	2.0	1.75	867	32	1.65			1.9	2.00	966	29	1.48	1.8	2.20	1135	25	1.26	1.8	2.40	4kW							4kW							0.85	43008	1691	128	0.85	GR179R109 GRF179R109	4P	4.1	8790	174.40	46	0.85	GR139 GRF139	8P	0.96	38147	1499	128	0.95	1.06	34487	1355	128	1.05	1.28			30613	1129	128	1.20	1.35			27114			1066	128	1.35	1.50	24416	959	128	1.50	1.80	21664	799	128	1.70	1.87	19608	770	128	1.85	2.07	17711	696	128	2.05	2.44	15013	590	128	2.45	2.93	13330	492	128	2.75	1.00	37855	1435	128	0.95	GR179R99 GRF179R99	4P	4.3	8415	222.60	48	0.90	GR139 GRF139	6P	1.21	32443	1189	128	1.15	1.25	30454	1154	128			1.20	1.50	26103	957			128			1.40	1.9			20957	768	128	1.75	2.0	18729	710	128	1.95	2.6	14192	563	128	2.60	3.0	12707	481	128	2.90	1.7	20613	861	114	0.85	GR169R99 GRF169R99	4P	8.4	4343	172.34	26	0.95	GR109 GRF109	4P	1.9	18195	760	114	0.95			2.2	15706	656	114	1.15	2.9	12042					503	114	1.45	3.8	9026	377	114	2.00	4.3	8020	335	114	2.20	2.7	12761	533	59	1.00	GR149R89 GRF149R89	4P	9.1	3999	158.68	28	1.00	GR99 GRF99	4P	3.1	11061	462	63	1.20			3.4			10199	426	64	1.25			3.9	8810	368	66	1.50	4.4	7805	326	67	1.70	5.1	6704	280	68	1.95	5.8	5914	247	69	2.20	GR149R89 GRF149R89	4P	10	3574	141.83	30	1.15	GR99 GRF99	4P	6.7	5123			214			69	2.50	7.6	4525	189			70	2.95	9.1	3807	159	70	3.35	2.3	14820	619	44	0.90	2.6	13359	558	58	1.00	GR149R79 GRF149R79	4P	11	3218	127.68			32	1.25	GR109 GRF109	4P	2.9	11707	489	61	1.15	3.5	9936	415			64			1.30	3.8	9122	381	43			0.85	GR139R79 GRF139R79	4P	12	2914	115.63	33	1.40	GR99 GRF99			4P	4.5	7733	323	51			1.05	4.9	6967	291	52	1.15	5.6	6105	255	54	1.30	6.5	5339	223	55	1.50	23	1612	63.96	13	0.90	24	1527	60.61	13	0.95	27	1337	53.05	14	1.10	30	1204	47.79	15	1.20	34	1056	41.92	16	1.40																																																							
603	46	2.37	2.1	1.40			701	40	2.04	2.0	1.65	745	38	1.92	2.0	1.75			867	32	1.65	1.9	2.00	966	29	1.48	1.8	2.20			1135	25	1.26	1.8	2.40	4kW							4kW							0.85	43008	1691	128	0.85	GR179R109 GRF179R109	4P	4.1	8790	174.40	46	0.85			GR139 GRF139	8P	0.96	38147	1499			128	0.95	1.06	34487	1355	128	1.05	1.28	30613	1129	128			1.20	1.35	27114	1066	128			1.35			1.50	24416	959	128	1.50	1.80	21664	799	128	1.70	1.87	19608	770	128	1.85	2.07	17711	696	128	2.05	2.44	15013	590	128	2.45	2.93	13330	492	128	2.75	1.00	37855	1435	128	0.95	GR179R99 GRF179R99	4P	4.3			8415	222.60	48	0.90	GR139 GRF139			6P	1.21	32443	1189	128	1.15	1.25	30454	1154			128	1.20	1.50	26103			957			128	1.40			1.9	20957	768	128	1.75	2.0	18729	710	128	1.95	2.6	14192	563	128	2.60	3.0	12707	481	128	2.90	1.7	20613	861	114			0.85	GR169R99 GRF169R99	4P	8.4	4343			172.34	26	0.95	GR109 GRF109	4P			1.9	18195	760	114	0.95	2.2	15706					656	114	1.15	2.9	12042	503	114	1.45	3.8	9026	377	114	2.00	4.3	8020	335	114	2.20			2.7	12761	533	59	1.00			GR149R89 GRF149R89	4P	9.1	3999	158.68			28			1.00	GR99 GRF99	4P	3.1			11061	462	63	1.20	3.4	10199	426	64	1.25	3.9	8810	368	66	1.50	4.4	7805	326	67	1.70	5.1			6704	280	68	1.95	5.8			5914	247			69			2.20	GR149R89 GRF149R89	4P	10	3574			141.83	30	1.15	GR99 GRF99	4P	6.7	5123	214	69	2.50	7.6	4525	189	70	2.95	9.1	3807			159	70	3.35			2.3	14820			619	44	0.90	2.6	13359	558	58	1.00			GR149R79 GRF149R79			4P	11	3218	127.68	32			1.25			GR109 GRF109	4P	2.9	11707	489					61	1.15	3.5	9936			415	64	1.30	3.8	9122	381	43	0.85	GR139R79 GRF139R79	4P	12	2914	115.63	33	1.40	GR99 GRF99	4P	4.5	7733	323	51	1.05	4.9	6967	291	52	1.15	5.6	6105	255	54	1.30	6.5	5339	223	55	1.50	23	1612	63.96	13	0.90	24	1527	60.61	13	0.95	27	1337	53.05	14	1.10	30	1204	47.79	15	1.20	34	1056	41.92	16	1.40																																		
701	40	2.04	2.0	1.65			745	38	1.92	2.0	1.75	867	32	1.65	1.9	2.00			966	29	1.48	1.8	2.20	1135	25	1.26	1.8	2.40			4kW							4kW							0.85	43008	1691	128	0.85	GR179R109 GRF179R109	4P	4.1	8790	174.40			46	0.85	GR139 GRF139	8P	0.96					38147	1499	128			0.95	1.06	34487	1355	128	1.05	1.28	30613	1129	128	1.20			1.35	27114	1066	128	1.35	1.50	24416	959			128	1.50	1.80	21664	799	128	1.70	1.87	19608	770	128	1.85	2.07	17711	696	128	2.05	2.44	15013	590	128	2.45	2.93	13330	492	128	2.75	1.00	37855	1435	128	0.95	GR179R99 GRF179R99	4P	4.3			8415			222.60	48	0.90	GR139 GRF139					6P	1.21	32443	1189	128	1.15	1.25	30454			1154	128	1.20	1.50	26103	957	128			1.40	1.9			20957	768	128	1.75	2.0	18729	710	128	1.95	2.6	14192	563	128	2.60	3.0	12707	481	128	2.90	1.7	20613	861	114	0.85			GR169R99 GRF169R99			4P	8.4			4343	172.34	26			0.95	GR109 GRF109	4P	1.9	18195	760	114	0.95	2.2					15706	656	114	1.15	2.9	12042	503	114	1.45	3.8	9026	377	114	2.00	4.3	8020	335	114			2.20	2.7	12761	533	59					1.00	GR149R89 GRF149R89	4P	9.1	3999	158.68			28			1.00			GR99 GRF99	4P	3.1	11061	462	63	1.20	3.4	10199	426	64	1.25	3.9	8810	368	66	1.50	4.4	7805	326			67	1.70	5.1	6704	280			68	1.95			5.8	5914	247	69			2.20	GR149R89 GRF149R89			4P	10	3574			141.83	30	1.15	GR99 GRF99	4P	6.7	5123	214	69	2.50	7.6	4525			189	70	2.95			9.1	3807			159	70	3.35	2.3	14820	619	44	0.90				2.6	13359		558	58	1.00	GR149R79 GRF149R79			4P					11	3218	127.68					32	1.25	GR109 GRF109	4P			2.9	11707	489	61	1.15	3.5	9936	415			64	1.30	3.8	9122	381			43	0.85	GR139R79 GRF139R79	4P	12	2914	115.63	33	1.40	GR99 GRF99	4P	4.5	7733	323	51	1.05	4.9	6967	291	52	1.15	5.6	6105	255	54	1.30	6.5	5339	223	55	1.50	23	1612	63.96	13	0.90	24	1527	60.61	13	0.95	27	1337	53.05	14	1.10	30	1204	47.79	15	1.20	34	1056	41.92	16	1.40																							
745	38	1.92	2.0	1.75			867	32	1.65	1.9	2.00	966	29	1.48	1.8	2.20			1135	25	1.26	1.8	2.40	4kW							4kW							0.85	43008	1691	128	0.85	GR179R109 GRF179R109	4P	4.1	8790	174.40	46	0.85			GR139 GRF139	8P	0.96			38147	1499			128					0.95	1.06	34487			1355	128	1.05	1.28	30613	1129	128	1.20	1.35	27114	1066			128	1.35	1.50	24416	959	128	1.50	1.80			21664	799	128	1.70	1.87	19608	770	128	1.85	2.07	17711	696	128	2.05	2.44	15013	590	128	2.45	2.93	13330	492	128	2.75	1.00	37855	1435	128	0.95	GR179R99 GRF179R99	4P	4.3			8415			222.60			48	0.90	GR139 GRF139							6P	1.21	32443	1189	128	1.15	1.25			30454	1154	128	1.20	1.50	26103	957			128	1.40			1.9	20957	768	128	1.75	2.0	18729	710	128	1.95	2.6	14192	563	128	2.60	3.0	12707	481	128	2.90	1.7	20613	861	114							0.85			GR169R99 GRF169R99	4P	8.4			4343			172.34	26	0.95	GR109 GRF109	4P	1.9					18195	760	114	0.95	2.2	15706	656	114	1.15	2.9	12042	503	114	1.45	3.8	9026	377	114			2.00	4.3	8020	335	114					2.20			2.7	12761	533			59			1.00					GR149R89 GRF149R89	4P	9.1	3999	158.68	28	1.00	GR99 GRF99	4P	3.1	11061	462	63	1.20	3.4	10199	426	64			1.25	3.9	8810	368	66			1.50	4.4			7805	326	67	1.70			5.1					6704	280			68	1.95	5.8			5914	247	69	2.20	GR149R89 GRF149R89	4P	10	3574	141.83	30	1.15	GR99 GRF99			4P	6.7			5123	214	69	2.50	7.6	4525	189	70				2.95	9.1		3807	159	70									3.35	2.3	14820					619	44					0.90	2.6	13359	558	58	1.00	GR149R79 GRF149R79	4P			11	3218	127.68	32	1.25			GR109 GRF109	4P			2.9	11707	489	61	1.15			3.5	9936	415	64	1.30	3.8	9122	381	43	0.85	GR139R79 GRF139R79	4P	12	2914	115.63	33	1.40	GR99 GRF99	4P	4.5	7733	323	51	1.05	4.9	6967	291	52	1.15	5.6	6105	255	54	1.30	6.5	5339	223	55	1.50	23	1612	63.96	13	0.90	24	1527	60.61	13	0.95	27	1337	53.05	14	1.10	30	1204	47.79	15	1.20	34	1056	41.92	16	1.40				
867	32	1.65	1.9	2.00			966	29	1.48	1.8	2.20	1135	25	1.26	1.8	2.40			4kW							4kW							0.85	43008	1691	128	0.85	GR179R109 GRF179R109	4P	4.1	8790	174.40			46	0.85	GR139 GRF139	8P	0.96					38147			1499	128			0.95					1.06	34487	1355			128	1.05	1.28	30613	1129	128	1.20	1.35	27114	1066	128			1.35	1.50	24416	959	128	1.50	1.80	21664			799	128	1.70	1.87	19608	770	128	1.85	2.07	17711	696	128	2.05	2.44	15013	590	128	2.45	2.93	13330	492	128	2.75	1.00	37855	1435	128	0.95	GR179R99 GRF179R99			4P			4.3			8415			222.60	48									0.90	GR139 GRF139	6P	1.21	32443	1189	128	1.15	1.25	30454	1154	128	1.20	1.50	26103			957	128			1.40	1.9	20957	768	128	1.75	2.0	18729	710	128	1.95	2.6	14192	563	128	2.60	3.0	12707	481	128	2.90	1.7	20613	861							114					0.85			GR169R99 GRF169R99			4P	8.4	4343			172.34					26	0.95	GR109 GRF109	4P	1.9	18195	760	114	0.95	2.2	15706	656	114	1.15	2.9	12042	503	114			1.45	3.8	9026	377	114					2.00			4.3	8020	335			114			2.20							2.7	12761	533	59	1.00			GR149R89 GRF149R89	4P	9.1	3999	158.68	28	1.00	GR99 GRF99	4P			3.1	11061	462	63	1.20			3.4	10199			426	64	1.25	3.9			8810					368	66			1.50	4.4	7805			326	67	1.70	5.1			6704	280	68	1.95	5.8					5914			247	69	2.20	GR149R89 GRF149R89	4P	10	3574	141.83			30	1.15	GR99 GRF99	4P	6.7	5123	214									69	2.50	7.6		4525	189		70	2.95					9.1	3807	159	70	3.35	2.3					14820	619	44	0.90	2.6							13359	558	58	1.00	GR149R79 GRF149R79			4P	11	3218	127.68	32	1.25	GR109 GRF109	4P	2.9	11707			489	61	1.15	3.5	9936			415	64	1.30	3.8	9122	381	43	0.85	GR139R79 GRF139R79	4P	12	2914	115.63	33	1.40	GR99 GRF99	4P	4.5	7733	323	51	1.05	4.9	6967	291	52	1.15	5.6	6105	255	54	1.30	6.5	5339	223	55	1.50	23	1612	63.96	13	0.90	24	1527	60.61	13	0.95	27	1337
966	29	1.48	1.8	2.20			1135	25	1.26	1.8	2.40	4kW							4kW							0.85	43008	1691	128	0.85	GR179R109 GRF179R109	4P	4.1	8790	174.40	46	0.85			GR139 GRF139	8P	0.96			38147	1499			128					0.95			1.06	34487			1355					128	1.05	1.28	30613	1129	128	1.20	1.35	27114	1066	128	1.35	1.50	24416	959	128			1.50	1.80	21664	799	128	1.70	1.87	19608	770	128	1.85	2.07	17711	696	128	2.05	2.44	15013	590	128	2.45	2.93	13330	492	128	2.75	1.00	37855	1435	128	0.95	GR179R99 GRF179R99	4P	4.3	8415	222.60	48	0.90							GR139 GRF139			6P			1.21	32443									1189			128	1.15	1.25	30454	1154	128	1.20	1.50	26103	957	128	1.40			1.9	20957	768	128	1.75	2.0	18729	710	128	1.95	2.6	14192	563	128	2.60	3.0	12707	481	128	2.90	1.7	20613	861	114	0.85	GR169R99 GRF169R99	4P	8.4	4343	172.34					26					0.95							GR109 GRF109	4P			1.9	18195	760			114	0.95			2.2	15706	656	114	1.15	2.9	12042	503	114	1.45	3.8	9026	377	114	2.00	4.3	8020	335	114	2.20	2.7					12761			533	59	1.00	GR149R89 GRF149R89	4P	9.1			3999							158.68	28	1.00	GR99 GRF99	4P					3.1	11061	462	63	1.20			3.4	10199	426	64	1.25	3.9	8810			368	66	1.50	4.4	7805	326	67	1.70			5.1					6704	280			68	1.95	5.8			5914	247	69	2.20			GR149R89 GRF149R89	4P	10	3574	141.83		30	1.15		GR99 GRF99			4P	6.7	5123			214	69	2.50			7.6	4525			189	70	2.95	9.1	3807	159	70					3.35	2.3	14820		619	44		0.90	2.6					13359	558	58	1.00	GR149R79 GRF149R79	4P					11	3218	127.68	32	1.25							GR109 GRF109	4P	2.9	11707					489	61	1.15	3.5	9936			415	64			1.30	3.8	9122	381	43			0.85	GR139R79 GRF139R79	4P	12	2914	115.63	33	1.40			GR99 GRF99	4P	4.5	7733	323			51	1.05	4.9	6967	291	52	1.15	5.6	6105	255	54	1.30	6.5	5339	223	55	1.50	23	1612	63.96	13	0.90	24	1527	60.61	13	0.95	27	1337	53.05	14	1.10
1135	25	1.26	1.8	2.40																																																																																																																																																																																																																																																																																																																																																																																																																																																																											
4kW							4kW																																																																																																																																																																																																																																																																																																																																																																																																																																																																								
0.85	43008	1691	128	0.85	GR179R109 GRF179R109	4P	4.1	8790	174.40	46	0.85	GR139 GRF139	8P																																																																																																																																																																																																																																																																																																																																																																																																																																																																		
0.96	38147	1499	128	0.95			1.06	34487	1355	128	1.05			1.28	30613	1129	128	1.20	1.35	27114	1066	128	1.35	1.50	24416	959	128	1.50	1.80	21664			799	128	1.70	1.87	19608					770			128	1.85	2.07	17711	696			128	2.05	2.44			15013	590	128	2.45	2.93			13330	492	128	2.75	1.00	37855	1435	128	0.95	GR179R99 GRF179R99	4P	4.3	8415	222.60	48	0.90	GR139 GRF139	6P	1.21	32443	1189	128	1.15	1.25	30454	1154	128	1.20	1.50	26103	957	128	1.40	1.9	20957	768	128	1.75	2.0	18729	710	128	1.95	2.6	14192	563	128	2.60	3.0	12707	481			128	2.90	1.7	20613	861					114	0.85		GR169R99 GRF169R99	4P		8.4	4343	172.34	26									0.95			GR109 GRF109	4P	1.9	18195	760	114	0.95	2.2	15706	656	114	1.15	2.9	12042	503	114	1.45	3.8	9026	377	114	2.00	4.3	8020	335	114	2.20	2.7	12761	533	59	1.00	GR149R89 GRF149R89	4P	9.1	3999	158.68	28	1.00			GR99 GRF99	4P	3.1	11061	462	63	1.20	3.4			10199	426	64			1.25			3.9					8810	368	66	1.50	4.4	7805	326			67	1.70	5.1	6704	280	68	1.95	5.8	5914	247	69	2.20	GR149R89 GRF149R89	4P	10	3574	141.83	30	1.15	GR99 GRF99	4P			6.7	5123	214	69	2.50	7.6	4525	189			70			2.95	9.1	3807			159	70	3.35	2.3	14820					619	44	0.90	2.6	13359	558	58			1.00	GR149R79 GRF149R79	4P	11	3218	127.68	32			1.25	GR109 GRF109	4P	2.9	11707	489	61	1.15	3.5	9936	415	64	1.30	3.8	9122	381	43			0.85	GR139R79 GRF139R79	4P			12	2914	115.63	33	1.40	GR99 GRF99			4P	4.5	7733		323	51						1.05	4.9	6967	291	52	1.15	5.6	6105	255	54	1.30			6.5	5339	223	55	1.50	23	1612	63.96	13			0.90	24	1527		60.61	13		0.95	27			1337	53.05	14	1.10	30	1204	47.79	15	1.20	34	1056	41.92	16	1.40																																																																																				
1.06	34487	1355	128	1.05			1.28	30613	1129	128	1.20			1.35	27114	1066	128	1.35	1.50	24416	959	128	1.50	1.80	21664	799	128	1.70	1.87	19608			770	128	1.85	2.07	17711			696	128	2.05			2.44	15013	590	128	2.45			2.93	13330	492			128	2.75	1.00	37855	1435	128	0.95	GR179R99 GRF179R99	4P	4.3	8415	222.60	48	0.90	GR139 GRF139	6P			1.21	32443	1189	128	1.15			1.25	30454	1154	128	1.20	1.50	26103	957	128	1.40	1.9	20957	768	128	1.75	2.0	18729	710	128	1.95	2.6	14192	563	128	2.60	3.0	12707	481	128	2.90	1.7	20613	861			114	0.85	GR169R99 GRF169R99	4P	8.4		4343	172.34		26	0.95					GR109 GRF109	4P	1.9	18195				760	114				0.95					2.2	15706	656	114	1.15	2.9	12042	503	114	1.45	3.8	9026	377	114	2.00	4.3	8020	335	114	2.20	2.7	12761	533	59	1.00	GR149R89 GRF149R89	4P	9.1	3999	158.68			28	1.00	GR99 GRF99	4P	3.1	11061	462			63	1.20	3.4	10199	426	64	1.25	3.9	8810	368	66			1.50			4.4					7805	326	67	1.70	5.1	6704	280			68	1.95	5.8	5914	247	69	2.20	GR149R89 GRF149R89	4P	10	3574	141.83			30	1.15	GR99 GRF99	4P	6.7			5123	214	69	2.50	7.6	4525	189	70	2.95	9.1	3807	159	70			3.35	2.3	14820			619	44	0.90	2.6	13359					558	58	1.00	GR149R79 GRF149R79	4P	11	3218			127.68			32	1.25	GR109 GRF109	4P	2.9	11707	489			61	1.15	3.5	9936	415	64	1.30	3.8	9122	381	43	0.85	GR139R79 GRF139R79	4P			12					2914	115.63	33	1.40	GR99 GRF99		4P	4.5		7733	323		51	1.05			4.9	6967		291	52	1.15	5.6	6105	255	54	1.30	6.5	5339	223			55	1.50	23	1612	63.96	13	0.90	24	1527			60.61	13	0.95	27	1337	53.05	14	1.10	30			1204	47.79	15	1.20	34	1056	41.92	16	1.40																																																																																									
1.28	30613	1129	128	1.20			1.35	27114	1066	128	1.35			1.50	24416	959	128	1.50	1.80	21664	799	128	1.70	1.87	19608	770	128	1.85	2.07	17711			696	128	2.05	2.44	15013			590	128	2.45			2.93	13330	492	128	2.75			1.00	37855	1435	128	0.95	GR179R99 GRF179R99	4P	4.3	8415	222.60	48	0.90			GR139 GRF139	6P	1.21	32443	1189					128	1.15	1.25	30454	1154			128	1.20	1.50	26103	957	128	1.40	1.9	20957	768	128	1.75	2.0	18729	710	128	1.95	2.6	14192	563	128	2.60	3.0	12707	481	128	2.90	1.7	20613	861	114	0.85	GR169R99 GRF169R99			4P	8.4			4343	172.34	26	0.95	GR109 GRF109	4P	1.9							18195	760			114	0.95	2.2	15706			656					114	1.15	2.9	12042	503	114	1.45	3.8	9026	377	114	2.00	4.3	8020	335	114	2.20	2.7	12761	533	59	1.00	GR149R89 GRF149R89	4P	9.1			3999	158.68	28			1.00	GR99 GRF99			4P	3.1	11061			462	63	1.20	3.4	10199	426	64	1.25	3.9	8810	368	66	1.50	4.4			7805					326	67	1.70	5.1	6704	280	68			1.95	5.8	5914	247	69	2.20	GR149R89 GRF149R89			4P	10	3574			141.83	30			1.15			GR99 GRF99	4P	6.7	5123	214	69	2.50	7.6	4525	189	70	2.95	9.1	3807	159	70	3.35	2.3			14820	619	44	0.90	2.6					13359	558	58			1.00	GR149R79 GRF149R79			4P			11	3218			127.68	32	1.25			GR109 GRF109	4P	2.9	11707	489	61	1.15	3.5	9936	415	64	1.30			3.8	9122	381					43	0.85	GR139R79 GRF139R79	4P				12		2914	115.63		33	1.40			GR99 GRF99	4P		4.5	7733	323	51	1.05	4.9	6967	291	52	1.15	5.6			6105	255	54	1.30	6.5	5339	223	55	1.50	23	1612	63.96	13	0.90	24	1527	60.61	13	0.95	27			1337	53.05	14	1.10	30	1204	47.79	15	1.20	34	1056	41.92	16	1.40																																																																																				
1.35	27114	1066	128	1.35																																																																																																																																																																																																																																																																																																																																																																																																																																																																											
1.50	24416	959	128	1.50			1.80	21664	799	128	1.70	1.87	19608	770	128	1.85	2.07	17711	696	128	2.05	2.44	15013	590	128	2.45	2.93	13330	492	128			2.75	1.00	37855	1435	128			0.95	GR179R99 GRF179R99	4P	4.3	8415	222.60	48	0.90	GR139 GRF139	6P	1.21	32443	1189	128	1.15	1.25	30454			1154	128	1.20	1.50	26103					957	128	1.40					1.9	20957	768	128	1.75			2.0	18729	710	128	1.95	2.6	14192	563	128	2.60	3.0	12707	481	128	2.90	1.7	20613	861	114	0.85	GR169R99 GRF169R99	4P	8.4	4343	172.34	26	0.95	GR109 GRF109	4P	1.9	18195	760		114	0.95		2.2			15706	656	114	1.15			2.9							12042	503	114	1.45	3.8	9026	377	114	2.00	4.3	8020					335	114	2.20	2.7	12761	533	59	1.00	GR149R89 GRF149R89	4P	9.1	3999	158.68	28	1.00	GR99 GRF99	4P	3.1	11061	462	63	1.20			3.4			10199	426	64			1.25					3.9	8810			368	66	1.50	4.4	7805	326	67	1.70	5.1	6704	280	68	1.95	5.8	5914	247	69			2.20	GR149R89 GRF149R89	4P	10	3574	141.83	30	1.15	GR99 GRF99			4P	6.7	5123	214	69	2.50					7.6	4525			189	70			2.95					9.1	3807	159	70	3.35	2.3	14820	619	44	0.90	2.6	13359	558	58	1.00	GR149R79 GRF149R79	4P	11	3218	127.68	32	1.25	GR109 GRF109			4P	2.9	11707	489	61	1.15	3.5	9936					415	64	1.30	3.8			9122	381	43					0.85	GR139R79 GRF139R79	4P	12	2914	115.63	33	1.40	GR99 GRF99	4P			4.5	7733	323			51	1.05	4.9	6967						291		52	1.15	5.6	6105	255	54					1.30	6.5	5339	223	55	1.50	23	1612	63.96	13	0.90			24	1527	60.61	13	0.95	27	1337	53.05	14	1.10	30	1204	47.79	15	1.20	34	1056	41.92	16	1.40																																																																																																				
1.80	21664	799	128	1.70			1.87	19608	770	128	1.85	2.07	17711	696	128	2.05	2.44	15013	590	128	2.45	2.93	13330	492	128	2.75	1.00	37855	1435	128			0.95	GR179R99 GRF179R99	4P	4.3	8415	222.60	48	0.90			GR139 GRF139	6P	1.21	32443	1189			128	1.15	1.25	30454	1154	128	1.20			1.50	26103	957	128	1.40					1.9	20957	768					128	1.75	2.0	18729	710			128	1.95	2.6	14192	563	128	2.60	3.0	12707	481	128	2.90	1.7	20613	861	114	0.85	GR169R99 GRF169R99	4P	8.4			4343	172.34	26	0.95	GR109 GRF109			4P	1.9	18195		760	114		0.95			2.2	15706	656	114			1.15		2.9	12042				503	114	1.45	3.8	9026	377	114	2.00	4.3	8020	335	114	2.20			2.7	12761	533	59	1.00	GR149R89 GRF149R89	4P	9.1			3999	158.68	28	1.00	GR99 GRF99			4P	3.1	11061	462	63			1.20			3.4	10199	426	64	1.25	3.9					8810	368			66	1.50	4.4	7805	326	67	1.70	5.1	6704	280	68	1.95	5.8	5914	247	69	2.20			GR149R89 GRF149R89			4P	10	3574	141.83	30		1.15	GR99 GRF99		4P	6.7	5123	214	69					2.50	7.6	4525	189	70	2.95			9.1					3807	159	70	3.35	2.3	14820	619	44	0.90	2.6	13359	558	58	1.00	GR149R79 GRF149R79			4P	11	3218	127.68	32					1.25	GR109 GRF109	4P	2.9	11707	489	61	1.15	3.5	9936	415	64	1.30	3.8	9122			381	43	0.85					GR139R79 GRF139R79			4P	12	2914	115.63	33					1.40	GR99 GRF99	4P			4.5	7733	323	51						1.05		4.9	6967	291	52	1.15	5.6					6105	255	54	1.30	6.5	5339	223	55	1.50	23	1612	63.96	13	0.90	24	1527	60.61	13	0.95	27	1337	53.05	14	1.10	30	1204	47.79	15	1.20	34	1056	41.92	16	1.40																																																																																																			
1.87	19608	770	128	1.85			2.07	17711	696	128	2.05	2.44	15013	590	128	2.45	2.93	13330	492	128	2.75	1.00	37855	1435	128	0.95	GR179R99 GRF179R99	4P	4.3	8415	222.60	48	0.90			GR139 GRF139	6P	1.21	32443	1189					128	1.15	1.25			30454	1154	128	1.20	1.50	26103	957			128	1.40	1.9	20957	768					128	1.75	2.0					18729	710	128	1.95	2.6			14192	563	128	2.60	3.0	12707	481	128	2.90	1.7	20613	861	114	0.85	GR169R99 GRF169R99	4P	8.4			4343			172.34	26	0.95	GR109 GRF109					4P	1.9		18195	760		114	0.95	2.2	15706	656	114	1.15			2.9	12042	503	114	1.45			3.8	9026	377	114	2.00	4.3	8020	335	114	2.20	2.7	12761	533			59	1.00	GR149R89 GRF149R89	4P	9.1			3999			158.68	28	1.00	GR99 GRF99					4P	3.1	11061	462			63	1.20	3.4	10199	426	64	1.25	3.9	8810					368	66			1.50	4.4	7805	326	67	1.70	5.1	6704	280	68	1.95	5.8	5914	247	69	2.20	GR149R89 GRF149R89	4P	10					3574	141.83	30	1.15		GR99 GRF99				4P	6.7	5123	214		69	2.50		7.6	4525	189	70	2.95	9.1			3807					159	70	3.35	2.3	14820	619	44	0.90	2.6	13359	558	58	1.00	GR149R79 GRF149R79					4P	11	3218	127.68		32	1.25		GR109 GRF109			4P	2.9	11707	489	61	1.15	3.5	9936	415	64	1.30	3.8			9122	381	43									0.85	GR139R79 GRF139R79	4P	12					2914					115.63	33	1.40	GR99 GRF99						4P		4.5	7733	323	51	1.05	4.9	6967			291	52	1.15	5.6	6105	255	54	1.30	6.5	5339	223	55	1.50	23	1612	63.96	13	0.90	24	1527	60.61	13	0.95	27	1337	53.05	14	1.10	30	1204	47.79	15	1.20	34	1056	41.92	16	1.40																																																																																																
2.07	17711	696	128	2.05			2.44	15013	590	128	2.45	2.93	13330	492	128	2.75	1.00	37855	1435	128	0.95	GR179R99 GRF179R99	4P	4.3	8415	222.60			48	0.90	GR139 GRF139	6P	1.21					32443	1189	128					1.15	1.25	30454			1154	128	1.20	1.50	26103	957	128			1.40	1.9	20957	768	128					1.75	2.0	18729			710	128	1.95	2.6	14192	563	128			2.60	3.0	12707	481	128	2.90	1.7	20613	861	114	0.85	GR169R99 GRF169R99	4P	8.4			4343			172.34			26	0.95	GR109 GRF109							4P	1.9	18195	760	114	0.95	2.2	15706	656	114	1.15	2.9			12042	503	114	1.45	3.8			9026	377	114	2.00	4.3	8020	335	114	2.20	2.7	12761	533	59			1.00	GR149R89 GRF149R89			4P			9.1			3999	158.68	28							1.00	GR99 GRF99	4P	3.1	11061	462	63	1.20	3.4	10199	426	64	1.25	3.9					8810	368			66	1.50	4.4	7805	326	67	1.70	5.1	6704	280	68	1.95	5.8	5914	247	69			2.20					GR149R89 GRF149R89	4P	10	3574							141.83	30	1.15	GR99 GRF99	4P	6.7	5123	214	69	2.50	7.6	4525	189			70					2.95	9.1	3807	159	70	3.35	2.3	14820	619	44	0.90	2.6	13359			558	58			1.00	GR149R79 GRF149R79	4P		11	3218						127.68	32	1.25	GR109 GRF109	4P	2.9	11707	489	61	1.15	3.5			9936	415	64									1.30			3.8					9122			381	43	0.85	GR139R79 GRF139R79	4P									12	2914	115.63	33	1.40	GR99 GRF99	4P			4.5	7733	323	51	1.05	4.9	6967	291	52	1.15	5.6	6105	255	54	1.30	6.5	5339	223	55	1.50	23	1612	63.96	13	0.90	24	1527	60.61	13	0.95	27	1337	53.05	14	1.10	30	1204	47.79	15	1.20	34	1056	41.92	16	1.40																																																																																									
2.44	15013	590	128	2.45																																																																																																																																																																																																																																																																																																																																																																																																																																																																											
2.93	13330	492	128	2.75																																																																																																																																																																																																																																																																																																																																																																																																																																																																											
1.00	37855	1435	128	0.95	GR179R99 GRF179R99	4P	4.3	8415	222.60	48	0.90	GR139 GRF139	6P																																																																																																																																																																																																																																																																																																																																																																																																																																																																		
1.21	32443	1189	128	1.15			1.25	30454	1154	128	1.20			1.50	26103	957	128	1.40	1.9	20957	768			128	1.75	2.0			18729	710			128					1.95	2.6	14192	563	128			2.60	3.0	12707			481	128	2.90	1.7	20613	861	114	0.85	GR169R99 GRF169R99	4P	8.4	4343	172.34	26	0.95	GR109 GRF109			4P	1.9	18195	760	114	0.95	2.2	15706	656	114	1.15	2.9	12042	503	114	1.45	3.8	9026	377	114	2.00	4.3	8020	335	114			2.20	2.7	12761	533	59	1.00	GR149R89 GRF149R89	4P	9.1	3999	158.68									28	1.00	GR99 GRF99	4P	3.1	11061	462	63	1.20	3.4	10199			426	64	1.25	3.9	8810	368	66	1.50	4.4	7805	326	67	1.70	5.1	6704	280	68	1.95	5.8	5914	247	69	2.20		GR149R89 GRF149R89	4P		10	3574	141.83	30	1.15	GR99 GRF99	4P	6.7							5123			214	69	2.50	7.6	4525	189	70	2.95	9.1	3807	159		70	3.35		2.3	14820	619	44	0.90	2.6	13359	558	58	1.00	GR149R79 GRF149R79	4P	11	3218	127.68	32	1.25	GR109 GRF109	4P	2.9	11707	489	61	1.15	3.5	9936	415			64	1.30							3.8	9122	381			43	0.85	GR139R79 GRF139R79	4P	12	2914	115.63	33	1.40	GR99 GRF99	4P	4.5	7733			323	51	1.05	4.9	6967	291	52	1.15	5.6	6105	255	54	1.30	6.5	5339	223	55	1.50	23	1612	63.96	13		0.90	24						1527	60.61	13			0.95	27	1337	53.05	14	1.10	30	1204	47.79	15	1.20	34	1056				41.92	16		1.40																																																																																																																																																																						
1.25	30454	1154	128	1.20			1.50	26103	957	128	1.40			1.9	20957	768	128	1.75	2.0	18729	710			128	1.95	2.6			14192	563			128	2.60	3.0			12707	481	128	2.90	1.7			20613	861	114			0.85	GR169R99 GRF169R99	4P	8.4	4343	172.34	26	0.95			GR109 GRF109	4P	1.9	18195	760		114	0.95		2.2	15706	656	114	1.15	2.9	12042	503	114	1.45	3.8	9026	377	114	2.00	4.3	8020	335	114	2.20	2.7	12761	533	59	1.00	GR149R89 GRF149R89	4P	9.1	3999	158.68	28	1.00			GR99 GRF99	4P	3.1									11061	462			63	1.20	3.4	10199	426	64	1.25	3.9	8810	368	66	1.50	4.4	7805	326	67	1.70	5.1	6704	280	68	1.95	5.8	5914	247	69	2.20	GR149R89 GRF149R89	4P	10	3574	141.83	30			1.15	GR99 GRF99	4P	6.7	5123	214			69							2.50			7.6	4525	189	70	2.95	9.1	3807	159	70	3.35	2.3	14820	619	44	0.90	2.6	13359	558	58	1.00	GR149R79 GRF149R79	4P	11	3218	127.68			32	1.25	GR109 GRF109	4P	2.9			11707	489	61	1.15	3.5	9936	415	64	1.30	3.8	9122	381							43	0.85	GR139R79 GRF139R79			4P	12			2914	115.63	33	1.40	GR99 GRF99			4P	4.5	7733	323	51	1.05	4.9	6967	291	52	1.15	5.6	6105	255	54	1.30	6.5	5339	223	55	1.50	23	1612	63.96	13	0.90		24	1527						60.61	13	0.95			27	1337	53.05	14	1.10	30	1204	47.79	15	1.20	34	1056	41.92	16	1.40																																																																																																																																																																											
1.50	26103	957	128	1.40			1.9	20957	768	128	1.75			2.0	18729	710	128	1.95	2.6	14192	563			128	2.60	3.0	12707	481	128	2.90			1.7	20613	861			114	0.85	GR169R99 GRF169R99	4P	8.4			4343	172.34	26			0.95			GR109 GRF109	4P	1.9	18195	760					114	0.95	2.2		15706	656		114	1.15	2.9	12042	503	114	1.45	3.8	9026	377	114	2.00	4.3	8020	335	114	2.20	2.7	12761	533	59	1.00	GR149R89 GRF149R89	4P	9.1			3999	158.68	28	1.00	GR99 GRF99					4P									3.1	11061			462	63	1.20	3.4	10199	426	64	1.25	3.9	8810	368	66	1.50	4.4	7805	326	67	1.70	5.1	6704	280	68	1.95	5.8	5914	247	69			2.20	GR149R89 GRF149R89	4P	10			3574			141.83	30	1.15			GR99 GRF99							4P			6.7	5123	214	69	2.50	7.6	4525	189	70	2.95	9.1	3807	159	70	3.35	2.3	14820	619	44	0.90			2.6	13359	558			58	1.00			GR149R79 GRF149R79			4P	11	3218	127.68	32	1.25	GR109 GRF109	4P	2.9	11707	489	61							1.15	3.5					9936			415	64	1.30	3.8					9122	381	43	0.85	GR139R79 GRF139R79	4P	12	2914	115.63	33	1.40	GR99 GRF99	4P	4.5	7733	323	51	1.05	4.9	6967	291	52	1.15	5.6	6105		255	54						1.30	6.5	5339			223	55	1.50	23	1612	63.96	13	0.90	24	1527	60.61	13	0.95	27	1337	53.05	14	1.10	30	1204	47.79	15	1.20			34	1056	41.92			16	1.40																																																																																																																																																										
1.9	20957	768	128	1.75			2.0	18729	710	128	1.95			2.6	14192	563	128	2.60	3.0	12707	481	128	2.90	1.7	20613	861	114	0.85	GR169R99 GRF169R99	4P			8.4	4343	172.34			26	0.95			GR109 GRF109			4P	1.9	18195	760	114	0.95					2.2	15706	656					114	1.15	2.9		12042	503		114	1.45	3.8	9026	377	114	2.00	4.3	8020	335	114	2.20	2.7	12761	533	59	1.00	GR149R89 GRF149R89	4P	9.1	3999	158.68			28			1.00	GR99 GRF99	4P	3.1										11061	462				63	1.20			3.4	10199	426	64	1.25	3.9	8810	368	66	1.50	4.4	7805	326	67	1.70	5.1	6704	280	68	1.95	5.8	5914	247	69	2.20	GR149R89 GRF149R89	4P			10			3574			141.83			30	1.15	GR99 GRF99						4P	6.7						5123	214	69	2.50	7.6	4525	189	70	2.95	9.1	3807	159	70	3.35	2.3	14820	619	44	0.90	2.6			13359	558	58	1.00	GR149R79 GRF149R79	4P	11							3218	127.68	32	1.25	GR109 GRF109			4P	2.9	11707	489	61			1.15			3.5	9936					415			64	1.30	3.8	9122					381	43	0.85	GR139R79 GRF139R79			4P	12	2914	115.63	33			1.40	GR99 GRF99	4P	4.5	7733	323	51	1.05	4.9	6967	291	52	1.15	5.6	6105	255					54	1.30	6.5			5339	223	55	1.50	23	1612	63.96	13	0.90	24	1527	60.61	13	0.95	27	1337	53.05	14	1.10	30	1204	47.79	15	1.20	34	1056	41.92	16			1.40																																																																																																																																																											
2.0	18729	710	128	1.95			2.6	14192	563	128	2.60			3.0	12707	481	128	2.90	1.7	20613	861	114	0.85	GR169R99 GRF169R99	4P	8.4	4343	172.34					26	0.95	GR109 GRF109			4P	1.9				18195	760		114	0.95	2.2	15706	656					114	1.15	2.9					12042	503	114		1.45	3.8		9026	377	114	2.00	4.3	8020	335	114	2.20	2.7	12761	533	59	1.00	GR149R89 GRF149R89	4P	9.1			3999	158.68	28			1.00			GR99 GRF99			4P									3.1	11061	462	63			1.20	3.4			10199	426	64	1.25	3.9	8810	368	66	1.50	4.4	7805	326	67	1.70	5.1	6704	280	68	1.95	5.8	5914	247	69	2.20	GR149R89 GRF149R89					4P			10			3574			141.83	30						1.15		GR99 GRF99	4P					6.7	5123	214	69	2.50	7.6	4525	189	70	2.95	9.1	3807	159	70	3.35	2.3	14820	619	44	0.90	2.6	13359	558	58	1.00	GR149R79 GRF149R79			4P							11	3218	127.68	32					1.25	GR109 GRF109	4P	2.9		11707	489	61		1.15	3.5					9936			415	64	1.30	3.8					9122	381	43					0.85	GR139R79 GRF139R79	4P	12			2914			115.63	33	1.40	GR99 GRF99	4P	4.5	7733	323	51	1.05	4.9	6967	291		52	1.15		5.6	6105	255			54	1.30	6.5	5339	223	55	1.50	23	1612	63.96	13	0.90	24	1527	60.61	13	0.95	27	1337	53.05	14	1.10	30	1204	47.79	15	1.20	34	1056	41.92	16	1.40																																																																																																																																																										
2.6	14192	563	128	2.60																																																																																																																																																																																																																																																																																																																																																																																																																																																																											
3.0	12707	481	128	2.90																																																																																																																																																																																																																																																																																																																																																																																																																																																																											
1.7	20613	861	114	0.85	GR169R99 GRF169R99	4P	8.4	4343	172.34	26	0.95			GR109 GRF109	4P																																																																																																																																																																																																																																																																																																																																																																																																																																																																
1.9	18195	760	114	0.95			2.2	15706	656	114	1.15					2.9	12042	503	114	1.45	3.8	9026	377			114	2.00	4.3	8020	335	114	2.20	2.7	12761		533	59		1.00	GR149R89 GRF149R89	4P		9.1	3999		158.68	28	1.00	GR99 GRF99	4P	3.1	11061			462	63	1.20	3.4	10199			426	64	1.25		3.9	8810		368	66	1.50	4.4	7805	326	67	1.70	5.1	6704	280	68	1.95	5.8			5914	247	69	2.20	GR149R89 GRF149R89	4P	10	3574	141.83	30	1.15						GR99 GRF99	4P				6.7	5123	214	69	2.50	7.6	4525	189	70	2.95			9.1	3807	159	70	3.35	2.3	14820	619	44	0.90	2.6	13359	558	58	1.00	GR149R79 GRF149R79	4P	11	3218	127.68	32	1.25	GR109 GRF109	4P		2.9	11707	489	61		1.15	3.5	9936	415	64	1.30			3.8	9122					381	43				0.85		GR139R79 GRF139R79	4P	12	2914	115.63	33	1.40	GR99 GRF99	4P	4.5	7733	323	51	1.05	4.9	6967	291	52	1.15	5.6	6105	255	54	1.30	6.5	5339	223	55	1.50	23	1612			63.96			13	0.90	24	1527	60.61					13			0.95	27	1337	53.05	14	1.10	30	1204	47.79	15	1.20	34	1056	41.92	16	1.40																																																																																																																																																																																																																																							
2.2	15706	656	114	1.15			2.9	12042	503	114	1.45	3.8	9026			377	114	2.00	4.3	8020	335	114	2.20	2.7	12761	533	59	1.00	GR149R89 GRF149R89	4P	9.1	3999	158.68	28		1.00	GR99 GRF99		4P				3.1	11061		462	63	1.20			3.4	10199			426	64	1.25	3.9	8810			368	66	1.50		4.4	7805		326	67	1.70	5.1	6704	280	68	1.95	5.8	5914	247	69	2.20	GR149R89 GRF149R89	4P	10	3574	141.83	30	1.15			GR99 GRF99	4P	6.7	5123	214											69	2.50	7.6	4525	189	70	2.95	9.1	3807	159			70	3.35	2.3	14820	619	44	0.90	2.6	13359	558	58	1.00	GR149R79 GRF149R79	4P	11			3218	127.68	32	1.25	GR109 GRF109			4P	2.9	11707	489	61	1.15	3.5	9936	415	64	1.30	3.8			9122	381					43	0.85				GR139R79 GRF139R79				4P	12	2914	115.63	33			1.40	GR99 GRF99	4P	4.5	7733	323	51	1.05	4.9	6967	291	52	1.15	5.6	6105	255	54	1.30	6.5	5339	223	55			1.50			23	1612	63.96	13	0.90					24			1527	60.61	13	0.95	27	1337	53.05	14	1.10	30	1204	47.79	15	1.20	34	1056	41.92	16	1.40																																																																																																																																																																																																																																				
2.9	12042	503	114	1.45			3.8	9026	377	114	2.00	4.3	8020			335	114	2.20	2.7	12761	533	59	1.00	GR149R89 GRF149R89	4P	9.1	3999	158.68			28	1.00	GR99 GRF99	4P		3.1							11061	462		63	1.20	3.4			10199	426			64	1.25	3.9	8810	368			66	1.50	4.4	7805	326	67	1.70	5.1	6704	280	68	1.95	5.8	5914	247	69	2.20	GR149R89 GRF149R89	4P	10			3574	141.83	30	1.15	GR99 GRF99					4P	6.7	5123											214	69	2.50	7.6	4525	189	70	2.95	9.1	3807	159	70	3.35	2.3	14820	619	44	0.90	2.6	13359	558	58	1.00	GR149R79 GRF149R79			4P			11	3218	127.68	32					1.25	GR109 GRF109	4P	2.9	11707	489	61	1.15	3.5	9936	415			64	1.30		3.8	9122		381	43									0.85	GR139R79 GRF139R79	4P	12			2914			115.63	33	1.40	GR99 GRF99	4P	4.5	7733	323	51	1.05	4.9	6967	291	52	1.15	5.6	6105	255	54			1.30	6.5	5339	223	55	1.50	23	1612					63.96			13	0.90	24	1527	60.61	13	0.95	27	1337	53.05	14	1.10	30	1204	47.79	15	1.20	34	1056		41.92	16		1.40																																																																																																																																																																																																																															
3.8	9026	377	114	2.00																																																																																																																																																																																																																																																																																																																																																																																																																																																																											
4.3	8020	335	114	2.20																																																																																																																																																																																																																																																																																																																																																																																																																																																																											
2.7	12761	533	59	1.00	GR149R89 GRF149R89	4P	9.1	3999	158.68	28	1.00	GR99 GRF99	4P																																																																																																																																																																																																																																																																																																																																																																																																																																																																		
3.1	11061	462	63	1.20			3.4	10199	426	64	1.25					3.9	8810	368	66	1.50	4.4	7805	326			67	1.70	5.1	6704	280	68	1.95			5.8	5914		247		69	2.20	GR149R89 GRF149R89	4P	10	3574	141.83	30	1.15			GR99 GRF99	4P	6.7	5123	214	69	2.50	7.6	4525	189	70	2.95	9.1	3807	159	70	3.35	2.3	14820	619	44	0.90	2.6	13359	558	58	1.00	GR149R79 GRF149R79			4P	11	3218	127.68	32	1.25	GR109 GRF109		4P	2.9				11707	489	61	1.15	3.5	9936	415			64	1.30	3.8	9122	381	43	0.85	GR139R79 GRF139R79	4P	12	2914	115.63	33	1.40	GR99 GRF99	4P	4.5	7733	323	51	1.05	4.9	6967	291	52	1.15	5.6	6105	255	54	1.30	6.5	5339	223	55	1.50					23			1612	63.96	13	0.90	24	1527	60.61	13	0.95	27	1337	53.05	14	1.10	30	1204	47.79	15	1.20	34	1056		41.92				16			1.40																																																																																																																																																																																																																																																																																																
3.4	10199	426	64	1.25			3.9	8810	368	66	1.50					4.4	7805	326	67	1.70	5.1	6704	280	68	1.95	5.8	5914	247	69	2.20	GR149R89 GRF149R89	4P			10	3574		141.83		30	1.15			GR99 GRF99	4P	6.7	5123	214					69	2.50	7.6	4525	189	70	2.95	9.1	3807	159	70	3.35	2.3	14820	619	44	0.90	2.6	13359	558	58	1.00	GR149R79 GRF149R79	4P	11		3218	127.68		32	1.25	GR109 GRF109	4P	2.9				11707				489	61	1.15	3.5	9936	415	64			1.30	3.8	9122	381	43	0.85	GR139R79 GRF139R79			4P	12	2914	115.63	33			1.40	GR99 GRF99	4P	4.5	7733	323	51	1.05	4.9	6967	291	52	1.15	5.6	6105	255	54	1.30	6.5	5339					223			55	1.50	23	1612	63.96	13	0.90	24	1527	60.61	13	0.95	27	1337	53.05	14	1.10	30	1204	47.79	15		1.20	34	1056		41.92			16			1.40																																																																																																																																																																																																																																																																																													
3.9	8810	368	66	1.50			4.4	7805	326	67	1.70					5.1	6704	280	68	1.95	5.8	5914	247	69	2.20	GR149R89 GRF149R89	4P	10	3574	141.83					30	1.15		GR99 GRF99		4P	6.7					5123	214	69					2.50	7.6	4525	189	70	2.95	9.1	3807	159	70	3.35	2.3	14820	619	44	0.90	2.6	13359	558	58	1.00	GR149R79 GRF149R79			4P		11	3218		127.68	32			1.25				GR109 GRF109				4P	2.9	11707	489	61	1.15	3.5			9936	415	64	1.30	3.8	9122					381	43	0.85	GR139R79 GRF139R79			4P			12	2914	115.63	33	1.40	GR99 GRF99	4P	4.5	7733	323	51	1.05	4.9	6967	291	52	1.15					5.6			6105	255	54	1.30	6.5	5339	223	55	1.50	23	1612	63.96	13	0.90	24	1527	60.61	13	0.95	27	1337	53.05	14	1.10	30	1204	47.79			15			1.20			34	1056	41.92			16	1.40																																																																																																																																																																																																																																																																																				
4.4	7805	326	67	1.70																																																																																																																																																																																																																																																																																																																																																																																																																																																																											
5.1	6704	280	68	1.95																																																																																																																																																																																																																																																																																																																																																																																																																																																																											
5.8	5914	247	69	2.20	GR149R89 GRF149R89	4P	10	3574	141.83	30	1.15			GR99 GRF99	4P																																																																																																																																																																																																																																																																																																																																																																																																																																																																
6.7	5123	214	69	2.50			7.6	4525	189	70	2.95					9.1	3807	159	70	3.35	2.3	14820	619	44	0.90			2.6	13359	558	58	1.00	GR149R79 GRF149R79	4P	11	3218	127.68		32		1.25	GR109 GRF109	4P			2.9	11707	489	61	1.15			3.5	9936	415	64	1.30	3.8	9122	381	43	0.85	GR139R79 GRF139R79	4P	12	2914	115.63	33	1.40	GR99 GRF99	4P	4.5	7733	323	51	1.05	4.9	6967	291	52	1.15	5.6	6105			255		54			1.30	6.5	5339		223	55	1.50	23	1612	63.96	13	0.90	24	1527	60.61	13	0.95	27					1337	53.05	14							1.10	30	1204	47.79	15			1.20	34	1056	41.92	16	1.40																																																																																																																																																																																																																																																																																																																																									
7.6	4525	189	70	2.95			9.1	3807	159	70	3.35					2.3	14820	619	44	0.90	2.6	13359	558	58	1.00	GR149R79 GRF149R79	4P	11	3218	127.68	32	1.25			GR109 GRF109	4P	2.9		11707		489					61	1.15	3.5	9936	415			64	1.30	3.8	9122	381	43	0.85	GR139R79 GRF139R79	4P	12			2914	115.63	33	1.40	GR99 GRF99			4P	4.5	7733	323	51	1.05	4.9	6967	291	52	1.15	5.6			6105		255			54	1.30	6.5		5339	223	55	1.50	23	1612	63.96	13	0.90	24	1527	60.61	13	0.95		27	1337		53.05	14	1.10							30	1204	47.79	15	1.20			34	1056	41.92	16	1.40																																																																																																																																																																																																																																																																																																																																										
9.1	3807	159	70	3.35			2.3	14820	619	44	0.90					2.6	13359	558	58	1.00	GR149R79 GRF149R79	4P	11	3218	127.68			32	1.25	GR109 GRF109	4P	2.9					11707		489		61					1.15	3.5	9936	415	64			1.30	3.8	9122	381	43	0.85	GR139R79 GRF139R79			4P			12	2914	115.63	33					1.40	GR99 GRF99	4P	4.5	7733	323	51	1.05	4.9	6967	291			52		1.15			5.6	6105	255		54	1.30	6.5	5339	223	55	1.50	23	1612	63.96	13	0.90	24	1527	60.61	13	0.95	27	1337	53.05	14							1.10	30	1204	47.79	15			1.20	34	1056	41.92	16	1.40																																																																																																																																																																																																																																																																																																																																									
2.3	14820	619	44	0.90																																																																																																																																																																																																																																																																																																																																																																																																																																																																											
2.6	13359	558	58	1.00	GR149R79 GRF149R79	4P	11	3218	127.68	32	1.25	GR109 GRF109	4P																																																																																																																																																																																																																																																																																																																																																																																																																																																																		
2.9	11707	489	61	1.15			3.5	9936	415	64	1.30					3.8	9122	381	43	0.85	GR139R79 GRF139R79	4P	12	2914	115.63	33	1.40	GR99 GRF99	4P			4.5	7733	323			51		1.05		4.9			6967	291	52	1.15	5.6	6105	255	54	1.30	6.5	5339	223	55	1.50	23							1612	63.96	13	0.90					24			1527	60.61	13	0.95	27	1337	53.05	14	1.10	30	1204	47.79	15	1.20		34	1056	41.92		16	1.40																																																																																																																																																																																																																																																																																																																																																																															
3.5	9936	415	64	1.30																																																																																																																																																																																																																																																																																																																																																																																																																																																																											
3.8	9122	381	43	0.85	GR139R79 GRF139R79	4P	12	2914	115.63	33	1.40					GR99 GRF99	4P																																																																																																																																																																																																																																																																																																																																																																																																																																																														
4.5	7733	323	51	1.05			4.9	6967	291	52	1.15							5.6	6105	255			54	1.30	6.5	5339	223					55	1.50	23			1612	63.96	13	0.90	24			1527	60.61	13	0.95	27	1337	53.05	14	1.10	30	1204	47.79	15	1.20	34		1056	41.92		16	1.40																																																																																																																																																																																																																																																																																																																																																																																																															
4.9	6967	291	52	1.15			5.6	6105	255	54	1.30			6.5	5339			223	55	1.50			23	1612	63.96	13	0.90					24	1527	60.61			13	0.95	27	1337	53.05			14	1.10	30	1204	47.79	15	1.20	34	1056	41.92	16	1.40																																																																																																																																																																																																																																																																																																																																																																																																																								
5.6	6105	255	54	1.30			6.5	5339	223	55	1.50			23	1612			63.96	13	0.90			24	1527	60.61	13	0.95					27	1337	53.05			14	1.10	30	1204	47.79	15	1.20	34	1056	41.92	16	1.40																																																																																																																																																																																																																																																																																																																																																																																																																															
6.5	5339	223	55	1.50																																																																																																																																																																																																																																																																																																																																																																																																																																																																											
23	1612	63.96	13	0.90			24	1527	60.61	13	0.95			27	1337			53.05	14	1.10	30	1204	47.79	15	1.20	34	1056			41.92	16	1.40																																																																																																																																																																																																																																																																																																																																																																																																																																															
24	1527	60.61	13	0.95																																																																																																																																																																																																																																																																																																																																																																																																																																																																											
27	1337	53.05	14	1.10																																																																																																																																																																																																																																																																																																																																																																																																																																																																											
30	1204	47.79	15	1.20																																																																																																																																																																																																																																																																																																																																																																																																																																																																											
34	1056	41.92	16	1.40																																																																																																																																																																																																																																																																																																																																																																																																																																																																											

**选型参数表
(恒功率)**
**Selection Table
(Constant Power)**

n_a [r/min]	M_a [N.m]	i	F_{Ra} [kN]	f_B	机型号 Type size	极数 Pole	n_a [r/min]	M_a [N.m]	i	F_{Ra} [kN]	f_B	机型号 Type size	极数 Pole			
4kW							4kW									
39	932	37.00	17	1.55	GR89	4P	207	175	6.96	2.4	0.85	GR49 GRF49	4P			
44	827	32.80	17	1.75	GRF89		240	151	6.00	2.3	0.95					
51	706	28.00	16	2.00			255	142	5.64	2.3	1.00					
42	871	34.55	17	1.60	GR89 GRF89	4P	297	122	4.85	2.2	1.15					
46	795	31.53	17	1.85				332	109	4.34	2.2			1.25		
52	705	27.96	16	2.10				389	93	3.70	2.1	1.40				
61	592	23.51	15	2.50				178	204	16.22	2.5	1.25				
67	544	21.60	15	2.60				198	183	14.56	2.5	1.35				
75	483	19.18	14	2.80				230	157	12.54	2.4	1.50				
84	432	17.15	14	3.00				245	148	11.79	2.4	1.55				
93	389	15.42	14	3.20				285	127	10.15	2.3	1.70				
108	337	13.38	13	3.60		319	114	9.07	2.3	1.80						
120	302	11.98	13	3.80		373	97	7.75	2.1	1.55						
39	928	36.83	3.9	0.85	GR79 GRF79	4P	415	87	6.96	2.1	1.70	GR49 GRF49	2P			
43	843	33.47	8.6	0.90				482	75	6.00	2.0			1.95		
50	731	29.00	10	1.05				512	71	5.64	2.0			2.10		
57	636	25.23	10	1.15				596	61	4.85	1.9			2.30		
62	589	23.37	10	1.30	GR79 GRF79	4P	666	54	4.34	1.9	2.50					
67	540	21.43	10	1.40				781	46	3.70	1.8			2.80		
77	474	18.80	10	1.55				259	144	5.56	6.3			1.50		
81	449	17.82	9.5	1.65				284	131	5.07	6.1			1.85		
92	393	15.60	9.1	1.75				320	116	4.50	5.9			2.40		
102	354	14.05	8.9	1.90				381	98	3.78	5.7			3.00		
117	311	12.33	8.6	2.10				356	105	4.04	4.4	1.30				
132	274	10.88	8.3	2.30				389	96	3.70	4.3	1.55				
149	243	9.64	8.1	2.40				443	84	3.25	4.2	2.10				
168	216	8.59	7.9	2.70				468	80	3.08	4.1	2.30				
186	195	7.74	7.7	2.90				533	70	2.70	4.0	3.00				
212	171	6.79	7.4	3.20		593	63	2.43	3.9	3.30						
240	151	5.99	7.1	3.30		676	55	2.13	3.7	3.50						
271	134	5.31	6.9	3.60		766	49	1.88	3.6	3.70						
72	501	19.89	7.6	1.10	GR69 GRF69	4P	862	43	1.67	3.5	3.90	GRX89 GRXF89	4P			
80	452	17.95	7.4	1.20				1014	37	1.42	3.3			4.10		
91	398	15.79	7.2	1.30				450	83	3.20	2.7			1.15		
97	376	14.91	7.1	1.35				498	75	2.89	2.7			1.35		
113	320	12.70	6.9	1.50				567	66	2.54	2.6			1.75		
125	291	11.54	6.7	1.60				600	62	2.40	2.6			1.90		
144	252	10.00	6.5	1.75				706	53	2.04	2.5			2.40		
166	219	8.70	6.3	1.90				774	48	1.86	2.4			2.50		
185	196	7.79	6.1	1.80				894	42	1.61	2.3			2.60		
196	185	7.36	6.0	1.85				1029	36	1.40	2.2			2.80		
230	158	6.27	5.8	1.95				545	68	2.64	1.6			0.95		
253	144	5.70	5.6	2.00				608	61	2.37	1.7			1.10		
292	124	4.93	5.4	2.20				706	53	2.04	1.8			1.25		
336	108	4.29	5.2	2.30				750	50	1.92	1.8			1.35		
77	469	18.60	3.3	0.90	GR59 GRF59	4P	873	43	1.65	1.8	1.55			GRX69 GRXF69	4P	
86	423	16.79	3.6	1.00				973	38	1.48	1.7					1.70
97	372	14.77	3.6	1.10				1143	33	1.26	1.7					1.80
103	352	13.95	3.6	1.15				5.5kW								
121	299	11.88	3.5	1.25				1.3	37166	1129	128	1.0	GRF179R109 GRF179R109			4P
133	272	10.79	3.5	1.35				1.4	35092	1066	128	1.0				
154	236	9.35	3.4	1.45				1.5	31570	959	128	1.2				
159	228	9.06	3.4	1.55				1.8	26303	799	128	1.4				
181	201	7.97	3.3	1.65				1.9	25348	770	128	1.4				
191	190	7.53	3.3	1.75				2.1	22912	696	128	1.6				
225	162	6.41	3.2	1.95				2.4	19422	590	128	1.9				
247	147	5.82	3.1	2.00				2.9	16196	492	128	2.3				
285	127	5.05	3.0	2.20				3.2	14814	450	128	2.5				
328	111	4.39	2.9	2.40		3.6	13266	403	128	2.8						
142	256	10.15	1.9	0.85	GR49 GRF49	4P	4.0	11983	364	128	3.1					
159	229	9.07	2.2	0.90												
186	195	7.75	2.4	0.75												

**选型参数表
(恒功率)**
**Selection Table
(Constant Power)**

n_a [r/min]	M_a [N.m]	i	F_{Ra} [kN]	f_B	机型号 Type size	极数 Pole	n_a [r/min]	M_a [N.m]	i	F_{Ra} [kN]	f_B	机型号 Type size	极数 Pole
5.5kW							5.5kW						
1.2	39141	1189	128	0.9	GR179R99 GRF179R99	4P	14	3576	103.20	57	2.10	GR139 GRF139	4P
1.2	37989	1154	128	1.0			16	3074	88.70	57	2.50		
1.5	31504	957	128	1.2			18	2804	80.91	57	2.70		
1.9	25282	768	128	1.4			20	2547	73.49	57	3.00		
2.0	23373	710	128	1.6			22	2259	65.20	58	3.30		
2.3	20443	621	128	1.8			24	2050	59.17	58	3.70		
2.6	18534	563	128	2.0			28	1762	50.86	58	4.30		
3.0	15834	481	128	2.3			11	4424	127.68	26	0.90		
3.0	15703	477	128	2.3			12	4007	115.63	28	1.00		
3.5	13431	408	128	2.7			14	3553	102.53	30	1.15		
4.0	11719	356	128	3.1			16	3212	92.70	32	1.25		
2.2	21595	656	114	0.85	GR169R99 GRF169R99	4P	18	2723	78.57	32	1.50	GR109 GRF109	4P
2.5	19060	579	114	0.95			20	2525	72.88	31	1.60		
2.9	16558	503	114	1.05			22	2273	65.60	30	1.80		
3.3	14221	432	114	1.25			24	2059	59.41	30	1.95		
3.8	12411	377	114	1.45			27	1825	52.68	29	2.20		
4.3	11028	335	114	1.60			30	1650	47.63	28	2.50		
4.8	9975	303	114	1.80			36	1399	40.37	27	2.90		
5.2	9184	279	114	1.95			17	2881	83.15	17	1.00		
3.1	15209	462	42	0.85			20	2501	72.17	21	1.15		
3.4	14024	426	55	0.90			22	2260	65.21	23	1.25		
3.9	12114	368	61	1.10			24	2076	59.92	23	1.35		
4.4	10732	326	63	1.25	27	1844	53.21	22	1.55				
5.1	9217	280	65	1.40	30	1649	47.58	22	1.70				
5.8	8131	247	67	1.60	34	1482	42.78	21	1.90				
6.7	7045	214	68	1.90	39	1287	37.13	21	2.20				
7.6	6222	189	68	2.15	43	1152	33.25	20	2.40				
3.7	13450	194.08	128	2.50	52	956	27.58	19	2.60				
4.0	12328	177.89	128	2.75	45	1111	32.05	20	2.20				
4.6	10739	154.96	128	3.05	53	942	27.19	19	2.60				
3.1	15920	229.71	114	1.05	58	867	25.03	19	3.10				
3.9	12955	186.93	114	1.30	64	775	22.37	18	3.30				
4.7	10608	153.07	114	1.60	71	698	20.14	17	3.50				
5.1	9701	139.98	114	1.75	79	632	18.24	17	3.70				
5.9	8442	121.81	114	2.00	89	560	16.17	16	4.00				
4.4	11318	163.31	61	1.10	30	1656	47.79	15	0.90				
4.9	10181	146.91	63	1.20	34	1453	41.92	16	1.00				
6.0	8307	119.86	66	1.45	39	1282	37.00	16	1.15				
6.6	7576	109.31	67	1.60	44	1137	32.80	16	1.30				
5.9	8489	163.31	66	1.45	51	970	28.00	15	1.45				
6.5	7636	146.91	67	1.60	52	969	27.96	15	1.50				
8.0	6230	119.86	68	2.00	61	815	23.51	15	1.80				
8.8	5682	109.31	69	2.20	67	748	21.60	14	1.90				
10	4917	94.60	69	2.50	75	665	19.18	14	2.00				
12	4339	83.47	70	2.80	84	594	17.15	14	2.20				
5.6	8883	128.18	42	0.85	93	534	15.42	13	2.40				
6.3	7881	113.72	50	0.95	108	464	13.38	13	2.60				
7.0	7152	103.20	51	1.05	120	415	11.98	12	2.80				
8.1	6147	88.70	53	1.20	145	344	9.94	12	3.20				
5.5	9065	174.40	41	0.85	157	317	9.15	12	3.60				
6.1	8125	156.31	49	0.95	175	285	8.23	11	3.80				
6.8	7335	141.12	51	1.05	202	247	7.14	11	4.10				
7.5	6663	128.18	53	1.15	77	651	18.80	8.8	1.15				
8.4	5911	113.72	54	1.30	81	617	17.82	8.9	1.20				
9.3	5364	103.20	55	1.40	92	541	15.60	8.7	1.30				
6.5	7714	222.60	50	1.00	102	487	14.05	8.5	1.40				
7.6	6530	188.45	53	1.15	117	427	12.33	8.3	1.50				
8.3	6043	174.40	54	1.25	132	377	10.88	8.0	1.65				
9.2	5416	156.31	55	1.40	149	334	9.64	7.8	1.80				
10	4890	141.12	55	1.55	168	298	8.59	7.7	2.00				
11	4442	128.18	56	1.70	186	268	7.74	7.5	2.20				
13	3941	113.72	56	1.90	212	235	6.79	7.2	2.30				
					240	208	5.99	7.0	2.50				
					271	184	5.31	6.7	2.60				

**选型参数表
(恒功率)**
**Selection Table
(Constant Power)**

n_a [r/min]	M_a [N.m]	i	F_{Ra} [kN]	f_B	机型号 Type size	极数 Pole	n_a [r/min]	M_a [N.m]	i	F_{Ra} [kN]	f_B	机型号 Type size	极数 Pole		
5.5kW							5.5kW								
91	547	15.79	6.3	0.95	GR69 GRF69	4P	735	70	1.96	5.8	7.90	GRX99	4P		
97	517	14.91	6.6	1.00			878	58	1.64	5.5	8.40	GRXF99			
113	440	12.70	6.5	1.10			1014	51	1.42	5.3	8.80				
125	400	11.54	6.4	1.20			GR69 GRF69	4P	320	160	4.50	5.7	1.75	GRX89 GRXF89	4P
144	347	10.00	6.2	1.30					381	134	3.78	5.5	2.20		
166	301	8.70	6.0	1.40					414	124	3.48	5.4	3.20		
185	270	7.79	5.9	1.35					466	110	3.09	5.2	3.60		
196	255	7.36	5.8	1.35					522	98	2.76	5.0	4.00		
230	217	6.27	5.6	1.45					581	88	2.48	4.9	4.40		
253	198	5.70	5.4	1.50					670	76	2.15	4.7	4.90		
292	171	4.93	5.2	1.60					443	116	3.25	4.0	1.50		
336	149	4.29	5.0	1.70					468	110	3.08	4.0	1.70		
333	150	8.70	5.0	2.80					533	96	2.70	3.8	2.20		
372	134	7.79	4.9	2.70	593	86	2.43	3.7	2.40						
394	127	7.36	4.8	2.80	676	76	2.13	3.6	2.60						
463	108	6.27	4.6	2.90	766	67	1.88	3.5	2.70						
509	98	5.70	4.5	3.00	862	59	1.67	3.4	2.80						
588	85	4.93	4.3	3.20	1014	51	1.42	3.2	3.00						
676	74	4.29	4.1	3.50	567	90	2.54	2.4	1.25						
97	512	14.77	1.6	0.80	600	85	2.40	2.4	1.40						
103	483	13.95	2.0	0.85	706	73	2.04	2.3	1.80						
121	412	11.88	2.8	0.95	774	66	1.86	2.3	1.85						
133	374	10.79	3.1	1.00	894	57	1.61	2.2	1.95						
154	324	9.35	3.1	1.10	1029	50	1.40	2.1	2.00						
181	276	7.97	3.1	1.20	706	73	2.04	0.6	0.90						
191	261	7.53	3.0	1.25	750	68	1.92	0.7	1.00						
225	222	6.41	3.0	1.40	873	59	1.65	0.9	1.15						
247	202	5.82	2.9	1.50	973	53	1.48	1.0	1.25						
285	175	5.05	2.9	1.65	1143	45	1.26	1.1	1.30						
328	152	4.39	2.8	1.75	7.5kW										
310	161	9.35	2.8	2.20	1.5	43049	959	128	0.9	GR179R109 GRF179R109	4P				
364	137	7.97	2.7	2.40	1.8	35867	799	128	1.0						
385	130	7.53	2.7	2.50	1.9	34565	770	128	1.1						
452	110	6.41	2.6	2.90	2.1	31243	696	128	1.2						
498	100	5.82	2.5	3.00	2.4	26485	590	128	1.4						
574	87	5.05	2.4	3.30	2.9	22086	492	128	1.7						
661	76	4.39	2.3	3.50	3.2	20200	450	128	1.8						
297	168	4.85	1.8	0.85	3.6	18091	403	128	2.0						
332	150	4.34	2.0	0.90	4.0	16340	364	128	2.2						
389	128	3.70	2.0	1.00	4.4	14859	331	128	2.5						
231	216	12.54	1.6	1.10	4.9	13153	293	128	2.8						
246	203	11.79	1.8	1.15	5.4	11941	266	128	3.1						
286	175	10.15	2.1	1.25	1.9	34476	768	128	1.1						
320	156	9.07	2.1	1.35	2.0	31872	710	128	1.1						
374	133	7.75	1.9	1.40	2.3	27877	621	128	1.3						
483	103	6.00	1.9	1.45	2.6	25273	563	128	1.4						
514	97	5.64	1.9	1.50	3.0	21592	481	128	1.7						
598	83	4.85	1.8	1.70	3.0	21413	477	128	1.7						
668	75	4.34	1.8	1.85	3.5	18315	408	128	2.0						
784	64	3.70	1.7	2.10	4.0	15981	356	128	2.3						
221	232	6.52	16	4.80	4.9	13243	295	128	2.8						
245	209	5.87	16	6.25	2.9	22580	503	54	0.80						
217	236	6.63	10	1.90	3.3	19392	432	59	0.95						
257	200	5.61	9.5	2.20	3.8	16924	377	62	1.10						
277	185	5.19	9.3	3.70	4.3	15038	335	64	1.20						
310	165	4.65	9.0	4.10	4.8	13602	303	66	1.30						
249	206	5.79	8.0	1.95	5.2	12524	279	67	1.45						
293	175	4.91	7.6	2.20	4.4	14634	326	48	0.90						
319	161	4.52	7.4	3.60	5.1	12569	280	60	1.05						
356	144	4.04	7.2	4.00	5.8	11088	247	62	1.20						
396	129	3.64	7.0	4.40	6.7	9606	214	65	1.40						
436	117	3.30	6.8	4.90	7.6	8484	189	66	1.60						
493	104	2.92	6.5	5.50	9.1	7138	159	67	1.80						
545	94	2.64	6.4	6.10											
643	80	2.24	6.0	7.20											

**选型参数表
(恒功率)**
**Selection Table
(Constant Power)**

n_a [r/min]	M_a [N.m]	i	F_{Ra} [kN]	f_B	机型号 Type size	极数 Pole	n_a [r/min]	M_a [N.m]	i	F_{Ra} [kN]	f_B	机型号 Type size	极数 Pole																																																																																																																																																																																																																																																																																																																																																																																																																																																	
7.5kW							7.5kW																																																																																																																																																																																																																																																																																																																																																																																																																																																							
3.7	18342	194.08	128	1.85	GR179 GRF179	8P	34	2021	42.78	20	1.40	GR99 GRF99	4P																																																																																																																																																																																																																																																																																																																																																																																																																																																	
4.0	16812	177.89	128	2.00			4.6	14645	154.96	128	2.25			5.2	12976	137.30	128	2.55	3.1	21709	229.71	114	0.80	3.9	17666	186.93	114	0.95	GR169 GRF169	8P	45	1514	32.05	19	1.60	GR99 GRF99	4P	4.7	14466	153.07	114	1.20	5.1	13229	139.98	114	1.30	5.9	11512	121.81	114	1.50	4.2	16114	229.71	114	1.05	5.2	13113	186.93	114	1.30	GR169 GRF169	6P	53	1285	27.19	18	1.90	GR99 GRF99	4P	6.3	10738	153.07	114	1.60	6.9	9819	139.98	114	1.70	8.0	8545	121.81	114	2.00	9.0	7540	107.49	114	2.20	10	6537	93.19	114	2.60	12	5816	82.91	114	2.90	13	5170	73.70	114	3.30	14	4728	67.40	114	3.60	4.4	15434	163.31	31	0.80	GR149 GRF149	8P	39	1748	37.00	11	0.85	GR89 GRF89	4P	4.9	13884	146.91	52	0.90	6.0	11327	119.86	61	1.10	6.6	10330	109.31	63	1.20	5.9	11456	163.31	61	1.05	6.6	10305	146.91	63	1.20	GR149 GRF149	6P	44	1550	32.80	15	0.95	GR89 GRF89	4P	8.1	8408	119.86	66	1.45	8.9	7668	109.31	67	1.60	10	6636	94.60	68	1.85	12	5855	83.47	68	2.10	7.6	8905	188.45	43	0.85	8.3	8241	174.40	48	0.90	GR139 GRF139	4P	51	1323	28.00	14	1.05	GR89 GRF89	4P	9.2	7386	156.31	51	1.00	10	6668	141.12	52	1.15	11	6057	128.18	54	1.25	13	5374	113.72	55	1.40	14	4876	103.20	55	1.55	16	4191	88.70	56	1.80	18	3823	80.91	57	1.95	20	3473	73.49	57	2.20	22	3081	65.20	57	2.50	24	2796	59.17	57	2.70	28	2403	50.86	58	3.10	32	2098	44.39	57	3.50	16	4380	92.70	26	0.95	GR109 GRF109	4P	77	888	18.80	5.0	0.85	GR79 GRF79	4P	18	3713	78.57	30	1.10	20	3444	72.88	30	1.20	22	3100	65.60	29	1.30	24	2807	59.41	29	1.45	27	2489	52.68	28	1.65	30	2251	47.63	27	1.80	36	1908	40.37	26	2.10	41	1666	35.26	25	2.40	49	1393	29.49	24	2.90	47	1454	30.77	24	2.80	GR109 GRF109	4P	81	842	17.82	5.4	0.85	GR69 GRF69	4P	52	1303	27.58	23	3.10	58	1177	24.90	23	3.50	64	1069	22.62	22	3.80	24	2831	59.92	19	1.00	GR99 GRF99	4P	27	2514	53.21	21	1.15	30	2248	47.58	21	1.25																																																																																			
4.6	14645	154.96	128	2.25			5.2	12976	137.30	128	2.55			3.1	21709	229.71	114	0.80	3.9	17666	186.93	114	0.95	GR169 GRF169	8P	45	1514	32.05			19	1.60	GR99 GRF99	4P	4.7			14466	153.07	114	1.20	5.1	13229	139.98	114	1.30	5.9	11512	121.81	114	1.50	4.2	16114	229.71	114	1.05	5.2	13113	186.93	114	1.30	GR169 GRF169			6P	53	1285	27.19	18			1.90	GR99 GRF99	4P	6.3	10738	153.07	114	1.60	6.9	9819	139.98	114	1.70	8.0	8545	121.81	114	2.00	9.0	7540	107.49	114	2.20	10	6537	93.19	114	2.60	12	5816	82.91	114	2.90	13	5170	73.70	114	3.30	14	4728	67.40	114	3.60	4.4	15434			163.31	31	0.80	GR149 GRF149	8P			39	1748	37.00	11	0.85	GR89 GRF89	4P	4.9	13884	146.91	52	0.90	6.0	11327	119.86	61	1.10	6.6	10330	109.31	63	1.20	5.9	11456	163.31			61	1.05	6.6	10305	146.91			63	1.20	GR149 GRF149	6P	44	1550	32.80	15	0.95	GR89 GRF89	4P	8.1	8408	119.86	66	1.45	8.9	7668	109.31	67	1.60	10	6636	94.60	68	1.85	12	5855	83.47	68			2.10	7.6	8905	188.45	43			0.85	8.3	8241	174.40	48	0.90	GR139 GRF139	4P	51	1323	28.00	14	1.05	GR89 GRF89	4P	9.2	7386	156.31	51	1.00	10	6668	141.12	52	1.15	11	6057	128.18	54	1.25	13	5374	113.72	55	1.40	14	4876	103.20	55	1.55	16	4191	88.70	56	1.80	18	3823	80.91	57	1.95	20	3473	73.49	57	2.20	22	3081	65.20	57	2.50	24	2796	59.17	57	2.70			28	2403	50.86	58	3.10			32	2098	44.39	57	3.50	16	4380	92.70	26	0.95	GR109 GRF109	4P	77	888	18.80	5.0	0.85	GR79 GRF79	4P	18	3713	78.57	30	1.10	20	3444	72.88	30	1.20	22	3100	65.60	29	1.30	24	2807	59.41	29	1.45	27	2489	52.68	28	1.65	30	2251	47.63	27	1.80	36			1908	40.37	26	2.10	41			1666	35.26	25	2.40	49	1393	29.49	24	2.90	47	1454	30.77	24	2.80	GR109 GRF109	4P	81	842	17.82	5.4			0.85	GR69 GRF69	4P	52	1303	27.58	23	3.10	58	1177	24.90	23	3.50	64	1069	22.62	22	3.80	24	2831	59.92	19	1.00	GR99 GRF99	4P	27	2514	53.21	21	1.15	30	2248	47.58	21	1.25																																																										
5.2	12976	137.30	128	2.55			3.1	21709	229.71	114	0.80			3.9	17666	186.93	114	0.95	GR169 GRF169	8P	45	1514	32.05			19	1.60	GR99 GRF99			4P	4.7			14466			153.07	114	1.20	5.1	13229	139.98	114	1.30	5.9	11512	121.81	114	1.50	4.2	16114	229.71	114	1.05	5.2	13113	186.93	114	1.30	GR169 GRF169					6P	53	1285	27.19			18			1.90	GR99 GRF99	4P	6.3	10738	153.07	114	1.60	6.9	9819	139.98	114	1.70	8.0	8545	121.81	114	2.00	9.0	7540	107.49	114	2.20	10	6537	93.19	114	2.60	12	5816	82.91	114	2.90	13	5170	73.70	114	3.30	14	4728	67.40	114			3.60	4.4	15434					163.31	31	0.80	GR149 GRF149	8P			39	1748	37.00	11	0.85	GR89 GRF89	4P	4.9	13884	146.91	52	0.90	6.0	11327	119.86	61	1.10	6.6			10330	109.31	63	1.20	5.9			11456	163.31			61	1.05	6.6	10305	146.91			63	1.20	GR149 GRF149	6P	44	1550	32.80	15	0.95	GR89 GRF89	4P	8.1	8408	119.86	66	1.45	8.9	7668	109.31			67	1.60	10	6636	94.60			68	1.85	12	5855	83.47	68			2.10	7.6	8905	188.45	43			0.85	8.3	8241	174.40	48	0.90	GR139 GRF139	4P	51	1323	28.00	14	1.05	GR89 GRF89	4P	9.2	7386	156.31	51	1.00	10	6668	141.12	52	1.15	11	6057	128.18	54	1.25	13	5374	113.72	55	1.40	14	4876	103.20	55	1.55	16	4191	88.70	56	1.80	18	3823	80.91	57	1.95			20	3473	73.49	57	2.20			22	3081	65.20	57	2.50	24	2796	59.17	57	2.70			28	2403	50.86	58	3.10			32	2098	44.39	57	3.50	16	4380	92.70	26	0.95	GR109 GRF109	4P	77	888	18.80	5.0	0.85	GR79 GRF79	4P	18	3713	78.57	30	1.10	20	3444	72.88	30	1.20	22	3100			65.60	29	1.30	24	2807			59.41	29	1.45	27	2489	52.68	28	1.65	30	2251	47.63	27	1.80	36			1908	40.37	26	2.10			41			1666	35.26	25	2.40	49	1393	29.49	24	2.90	47	1454	30.77	24	2.80	GR109 GRF109	4P	81	842	17.82	5.4			0.85	GR69 GRF69	4P	52	1303	27.58	23	3.10	58	1177	24.90	23	3.50	64	1069	22.62	22	3.80	24	2831	59.92	19	1.00	GR99 GRF99	4P	27	2514	53.21	21	1.15	30	2248	47.58	21	1.25																																	
3.1	21709	229.71	114	0.80			3.9	17666	186.93	114	0.95			GR169 GRF169	8P	45	1514	32.05			19	1.60	GR99 GRF99			4P	4.7					14466			153.07			114	1.20	5.1	13229	139.98	114	1.30	5.9	11512	121.81	114	1.50	4.2	16114	229.71	114	1.05	5.2	13113	186.93	114	1.30	GR169 GRF169							6P	53	1285			27.19			18			1.90	GR99 GRF99	4P	6.3	10738	153.07	114	1.60	6.9	9819	139.98	114	1.70	8.0	8545	121.81	114	2.00	9.0	7540	107.49	114	2.20	10	6537	93.19	114	2.60	12	5816	82.91	114	2.90	13	5170	73.70	114	3.30	14			4728	67.40	114					3.60	4.4	15434					163.31	31	0.80	GR149 GRF149	8P			39	1748	37.00	11	0.85	GR89 GRF89	4P	4.9	13884	146.91	52			0.90	6.0	11327	119.86	61			1.10	6.6			10330	109.31	63	1.20	5.9			11456	163.31			61	1.05	6.6	10305	146.91			63	1.20	GR149 GRF149	6P	44	1550	32.80	15			0.95	GR89 GRF89	4P	8.1	8408			119.86	66	1.45	8.9	7668	109.31			67	1.60	10	6636	94.60			68	1.85	12	5855	83.47	68			2.10	7.6	8905	188.45	43			0.85	8.3	8241	174.40	48	0.90	GR139 GRF139	4P	51	1323	28.00	14	1.05	GR89 GRF89	4P	9.2	7386	156.31	51	1.00	10	6668	141.12	52	1.15	11	6057	128.18	54	1.25	13	5374	113.72	55	1.40			14	4876	103.20	55	1.55			16	4191	88.70	56	1.80	18	3823	80.91	57	1.95			20	3473	73.49	57	2.20			22	3081	65.20	57	2.50	24	2796	59.17	57	2.70			28	2403	50.86	58	3.10			32	2098	44.39	57	3.50	16	4380	92.70	26	0.95	GR109 GRF109	4P			77	888	18.80	5.0	0.85			GR79 GRF79	4P	18	3713	78.57	30	1.10	20	3444	72.88	30	1.20	22	3100			65.60	29	1.30	24			2807			59.41	29	1.45	27	2489	52.68	28	1.65	30	2251	47.63	27	1.80	36			1908	40.37	26	2.10			41			1666	35.26	25	2.40	49	1393	29.49	24	2.90	47	1454	30.77	24	2.80	GR109 GRF109	4P	81	842	17.82	5.4			0.85	GR69 GRF69	4P	52	1303	27.58	23	3.10	58	1177	24.90	23	3.50	64	1069	22.62	22	3.80	24	2831	59.92	19	1.00	GR99 GRF99	4P	27	2514	53.21	21	1.15	30	2248	47.58	21	1.25								
3.9	17666	186.93	114	0.95	GR169 GRF169	8P	45	1514	32.05	19	1.60	GR99 GRF99	4P																																																																																																																																																																																																																																																																																																																																																																																																																																																	
4.7	14466	153.07	114	1.20			5.1	13229	139.98	114	1.30					5.9	11512	121.81			114	1.50					4.2		16114	229.71		114			1.05	5.2	13113	186.93	114	1.30	GR169 GRF169	6P	53	1285	27.19	18	1.90	GR99 GRF99	4P	6.3	10738	153.07	114	1.60	6.9	9819	139.98	114	1.70									8.0	8545			121.81			114			2.00			9.0	7540	107.49	114	2.20	10	6537	93.19	114	2.60	12	5816	82.91	114	2.90	13	5170	73.70	114	3.30	14	4728	67.40	114	3.60	4.4	15434	163.31	31	0.80	GR149 GRF149	8P	39	1748	37.00	11	0.85	GR89 GRF89	4P	4.9	13884			146.91	52	0.90	6.0	11327					119.86	61	1.10					6.6	10330	109.31	63	1.20			5.9	11456	163.31	61			1.05	6.6	10305	146.91	63			1.20	GR149 GRF149			6P	44	1550	32.80	15			0.95	GR89 GRF89			4P	8.1	8408	119.86	66			1.45	8.9			7668	109.31	67	1.60			10			6636	94.60			68	1.85	12	5855	83.47	68			2.10	7.6	8905	188.45	43			0.85	8.3	8241	174.40	48	0.90			GR139 GRF139	4P	51	1323	28.00			14	1.05	GR89 GRF89	4P	9.2	7386			156.31	51	1.00	10	6668			141.12	52	1.15	11	6057	128.18	54	1.25	13	5374	113.72	55	1.40	14	4876	103.20	55	1.55	16	4191			88.70	56	1.80	18	3823			80.91	57	1.95	20	3473	73.49	57	2.20	22	3081			65.20	57	2.50	24	2796			59.17	57	2.70	28	2403	50.86	58	3.10	32	2098			44.39	57	3.50	16	4380			92.70	26	0.95	GR109 GRF109	4P	77	888	18.80	5.0	0.85			GR79 GRF79	4P	18	3713	78.57	30	1.10	20	3444			72.88	30	1.20	22	3100	65.60	29	1.30	24	2807	59.41	29			1.45	27	2489	52.68	28	1.65	30			2251	47.63	27	1.80	36	1908	40.37	26	2.10	41	1666	35.26	25	2.40			49	1393	29.49	24			2.90			47	1454	30.77	24	2.80	GR109 GRF109	4P	81	842	17.82	5.4	0.85	GR69 GRF69	4P			52	1303	27.58	23			3.10			58	1177	24.90	23	3.50	64	1069	22.62	22	3.80	24	2831	59.92	19	1.00	GR99 GRF99	4P	27	2514	53.21			21	1.15	30	2248	47.58	21	1.25											
5.1	13229	139.98	114	1.30			5.9	11512	121.81	114	1.50					4.2	16114	229.71			114	1.05		5.2	13113		186.93		114	1.30		GR169 GRF169	6P	53	1285	27.19	18	1.90	GR99 GRF99	4P			6.3	10738	153.07	114	1.60			6.9	9819	139.98	114	1.70	8.0	8545	121.81	114	2.00									9.0	7540			107.49			114			2.20			10	6537	93.19	114	2.60	12	5816	82.91	114	2.90	13	5170	73.70	114	3.30	14	4728	67.40	114	3.60	4.4	15434	163.31	31	0.80	GR149 GRF149	8P	39	1748	37.00			11	0.85	GR89 GRF89	4P	4.9			13884	146.91	52	0.90	6.0	11327	119.86	61	1.10			6.6	10330	109.31	63	1.20					5.9	11456	163.31	61	1.05			6.6	10305	146.91	63	1.20	GR149 GRF149	6P	44	1550	32.80	15	0.95	GR89 GRF89	4P					8.1	8408	119.86	66			1.45					8.9	7668	109.31	67			1.60	10			6636	94.60	68	1.85			12			5855	83.47			68	2.10	7.6	8905	188.45	43			0.85	8.3	8241	174.40	48			0.90	GR139 GRF139	4P	51	1323	28.00					14	1.05	GR89 GRF89			4P	9.2			7386	156.31			51	1.00	10	6668	141.12			52	1.15	11	6057	128.18	54	1.25	13	5374	113.72	55	1.40	14	4876	103.20	55	1.55	16	4191	88.70			56	1.80	18	3823	80.91			57	1.95	20	3473	73.49	57	2.20	22	3081	65.20			57	2.50	24	2796	59.17			57	2.70	28	2403	50.86	58	3.10	32	2098	44.39			57	3.50	16	4380	92.70			26	0.95	GR109 GRF109			4P	77	888	18.80	5.0					0.85	GR79 GRF79	4P	18	3713	78.57	30			1.10	20	3444	72.88	30	1.20	22	3100	65.60	29	1.30	24	2807	59.41	29	1.45	27	2489	52.68	28	1.65	30	2251	47.63	27	1.80	36	1908	40.37	26	2.10	41	1666	35.26	25	2.40	49			1393	29.49	24	2.90	47	1454	30.77			24	2.80	GR109 GRF109	4P	81			842	17.82	5.4	0.85	GR69 GRF69					4P	52	1303	27.58			23			3.10	58	1177	24.90	23	3.50	64	1069	22.62	22	3.80	24	2831	59.92	19			1.00	GR99 GRF99	4P			27	2514	53.21	21	1.15	30	2248	47.58	21	1.25								
5.9	11512	121.81	114	1.50			4.2	16114	229.71	114	1.05					5.2	13113	186.93	114	1.30	GR169 GRF169	6P		53	1285		27.19	18	1.90	GR99 GRF99	4P			6.3	10738	153.07	114	1.60					6.9	9819	139.98	114	1.70			8.0	8545	121.81	114	2.00	9.0	7540	107.49	114	2.20									10	6537			93.19			114			2.60			12	5816	82.91	114	2.90	13	5170	73.70	114	3.30	14	4728	67.40	114	3.60	4.4	15434	163.31	31	0.80	GR149 GRF149	8P	39	1748	37.00			11	0.85	GR89 GRF89			4P	4.9			13884			146.91	52	0.90	6.0	11327	119.86	61	1.10	6.6	10330	109.31	63	1.20	5.9	11456	163.31			61	1.05	6.6	10305	146.91	63	1.20			GR149 GRF149	6P	44	1550	32.80			15	0.95	GR89 GRF89	4P	8.1				8408	119.86		66	1.45	8.9	7668	109.31	67	1.60					10	6636	94.60	68			1.85	12			5855	83.47	68	2.10			7.6			8905	188.45			43	0.85	8.3	8241	174.40	48			0.90	GR139 GRF139	4P	51	1323			28.00			14	1.05	GR89 GRF89					4P	9.2					7386			156.31	51			1.00	10	6668	141.12	52			1.15	11	6057	128.18	54	1.25	13	5374	113.72	55	1.40	14	4876	103.20	55	1.55	16	4191	88.70	56			1.80	18	3823	80.91	57			1.95	20	3473	73.49	57	2.20	22	3081	65.20	57			2.50	24	2796	59.17	57			2.70	28	2403	50.86	58	3.10	32	2098	44.39	57			3.50	16	4380	92.70	26			0.95	GR109 GRF109					4P	77	888	18.80					5.0			0.85	GR79 GRF79	4P	18			3713	78.57	30	1.10	20	3444	72.88	30	1.20	22	3100	65.60	29	1.30	24	2807	59.41	29	1.45	27	2489	52.68	28	1.65	30	2251	47.63	27	1.80	36	1908	40.37	26	2.10	41	1666	35.26	25	2.40	49	1393	29.49	24	2.90	47	1454	30.77	24	2.80	GR109 GRF109			4P			81	842	17.82	5.4							0.85	GR69 GRF69	4P	52	1303	27.58			23	3.10	58	1177	24.90	23	3.50	64	1069	22.62	22	3.80	24	2831	59.92			19					1.00	GR99 GRF99	4P	27	2514	53.21	21	1.15	30	2248	47.58	21	1.25					
4.2	16114	229.71	114	1.05			5.2	13113	186.93	114	1.30			GR169 GRF169	6P	53	1285	27.19	18	1.90			GR99 GRF99	4P	6.3	10738	153.07	114	1.60					6.9	9819	139.98	114	1.70					8.0	8545	121.81	114	2.00			9.0	7540	107.49	114	2.20	10	6537	93.19	114	2.60									12	5816			82.91			114			2.90			13	5170	73.70	114	3.30	14	4728	67.40	114	3.60	4.4	15434	163.31	31	0.80	GR149 GRF149	8P	39	1748	37.00			11	0.85	GR89 GRF89			4P	4.9					13884			146.91			52	0.90	6.0	11327	119.86	61	1.10	6.6	10330	109.31	63	1.20	5.9	11456	163.31	61	1.05	6.6	10305	146.91	63	1.20	GR149 GRF149	6P	44	1550	32.80			15	0.95	GR89 GRF89			4P	8.1			8408				119.86	66		1.45	8.9	7668	109.31	67	1.60	10		6636	94.60		68	1.85	12	5855	83.47	68	2.10	7.6			8905	188.45	43	0.85			8.3			8241	174.40			48	0.90	GR139 GRF139	4P	51	1323			28.00			14	1.05			GR89 GRF89			4P	9.2							7386					156.31			51	1.00			10	6668	141.12	52	1.15			11	6057	128.18	54	1.25	13	5374	113.72	55	1.40	14	4876	103.20	55	1.55	16	4191	88.70	56	1.80			18	3823	80.91	57	1.95			20	3473	73.49	57	2.20	22	3081	65.20	57	2.50			24	2796	59.17	57	2.70			28	2403	50.86	58	3.10	32	2098	44.39	57	3.50			16	4380	92.70	26	0.95			GR109 GRF109							4P	77	888					18.80			5.0			0.85			GR79 GRF79	4P	18	3713	78.57	30	1.10	20	3444	72.88	30	1.20	22	3100	65.60	29	1.30	24	2807	59.41	29	1.45	27	2489	52.68	28	1.65	30	2251	47.63	27	1.80	36	1908	40.37	26	2.10	41	1666	35.26	25	2.40	49	1393	29.49	24	2.90	47	1454							30.77	24	2.80	GR109 GRF109				4P	81		842			17.82	5.4	0.85	GR69 GRF69	4P	52	1303	27.58	23	3.10	58	1177	24.90	23	3.50	64	1069	22.62	22	3.80			24			2831	59.92	19			1.00	GR99 GRF99	4P	27	2514	53.21	21	1.15	30	2248	47.58	21	1.25		
5.2	13113	186.93	114	1.30	GR169 GRF169	6P	53	1285	27.19	18	1.90	GR99 GRF99	4P																																																																																																																																																																																																																																																																																																																																																																																																																																																	
6.3	10738	153.07	114	1.60			6.9	9819	139.98	114	1.70					8.0	8545	121.81	114	2.00					9.0	7540	107.49	114	2.20					10	6537	93.19	114	2.60					12	5816	82.91	114	2.90			13	5170	73.70	114	3.30	14	4728	67.40	114	3.60				4.4	15434				163.31	31	0.80	GR149 GRF149	8P			39			1748			37.00	11	0.85	GR89 GRF89	4P	4.9	13884	146.91	52	0.90	6.0	11327	119.86	61	1.10			6.6	10330	109.31			63	1.20					5.9		11456	163.31		61			1.05	6.6	10305	146.91	63	1.20	GR149 GRF149	6P	44	1550	32.80	15	0.95	GR89 GRF89	4P	8.1	8408	119.86	66	1.45	8.9	7668	109.31	67	1.60			10	6636	94.60			68	1.85					12			5855				83.47	68		2.10	7.6	8905	188.45	43	0.85	8.3		8241	174.40		48	0.90	GR139 GRF139	4P	51	1323	28.00	14	1.05	GR89 GRF89	4P	9.2	7386	156.31			51	1.00	10	6668	141.12			52	1.15			11	6057			128.18			54	1.25							13							5374					113.72			55	1.40			14	4876	103.20	55	1.55			16	4191	88.70	56	1.80	18	3823	80.91	57	1.95	20	3473	73.49	57	2.20	22	3081	65.20	57	2.50	24	2796	59.17	57	2.70	28	2403	50.86	58	3.10	32	2098	44.39	57	3.50	16	4380	92.70	26			0.95	GR109 GRF109	4P	77	888			18.80	5.0	0.85	GR79 GRF79	4P	18	3713	78.57	30	1.10			20	3444	72.88	30	1.20											22	3100					65.60			29			1.30					24	2807	59.41	29	1.45	27	2489	52.68	28	1.65	30	2251	47.63	27	1.80	36	1908	40.37	26	2.10	41	1666	35.26	25	2.40	49	1393	29.49	24	2.90	47	1454	30.77	24	2.80	GR109 GRF109	4P	81	842	17.82	5.4	0.85	GR69 GRF69	4P	52	1303	27.58					23	3.10	58	1177	24.90			23	3.50		64		1069			22.62	22	3.80			24	2831	59.92	19	1.00	GR99 GRF99	4P	27	2514	53.21	21	1.15	30	2248	47.58	21	1.25																							
6.9	9819	139.98	114	1.70			8.0	8545	121.81	114	2.00					9.0	7540	107.49	114	2.20					10	6537	93.19	114	2.60					12	5816	82.91	114	2.90					13	5170	73.70	114	3.30			14	4728	67.40	114	3.60	4.4	15434	163.31	31	0.80			GR149 GRF149	8P	39	1748			37.00	11	0.85			GR89 GRF89	4P	4.9			13884			146.91	52	0.90			6.0	11327	119.86	61	1.10	6.6	10330	109.31	63	1.20			5.9	11456	163.31			61	1.05		6.6	10305		146.91		63	1.20		GR149 GRF149	6P	44	1550	32.80	15	0.95	GR89 GRF89	4P			8.1	8408	119.86	66	1.45			8.9	7668	109.31	67	1.60	10	6636	94.60	68	1.85			12	5855	83.47			68	2.10					7.6			8905			188.45	43	0.85	8.3	8241	174.40	48	0.90	GR139 GRF139	4P	51	1323	28.00	14	1.05	GR89 GRF89	4P			9.2	7386	156.31	51	1.00			10	6668	141.12			52	1.15	11	6057	128.18			54	1.25			13	5374			113.72			55	1.40							14							4876					103.20			55	1.55			16	4191	88.70	56	1.80			18	3823	80.91	57	1.95	20	3473	73.49	57	2.20	22	3081	65.20	57	2.50	24	2796	59.17	57	2.70	28	2403	50.86	58	3.10	32	2098	44.39	57	3.50	16	4380	92.70	26	0.95	GR109 GRF109	4P	77	888	18.80	5.0	0.85			GR79 GRF79	4P	18	3713	78.57	30	1.10			20	3444	72.88	30	1.20			22	3100	65.60	29	1.30											24	2807					59.41			29			1.45					27	2489	52.68	28	1.65	30	2251	47.63	27	1.80	36	1908	40.37	26	2.10	41	1666	35.26	25	2.40	49	1393	29.49	24	2.90	47	1454	30.77	24	2.80	GR109 GRF109	4P	81	842	17.82			5.4	0.85	GR69 GRF69	4P	52			1303	27.58	23		3.10	58		1177	24.90	23	3.50	64		1069	22.62	22		3.80	24	2831			59.92	19	1.00			GR99 GRF99	4P	27	2514	53.21			21	1.15	30	2248	47.58	21	1.25																										
8.0	8545	121.81	114	2.00			9.0	7540	107.49	114	2.20					10	6537	93.19	114	2.60					12	5816	82.91	114	2.90					13	5170	73.70	114	3.30					14	4728	67.40	114	3.60			4.4	15434	163.31	31	0.80	GR149 GRF149	8P	39	1748	37.00		11			0.85	GR89 GRF89	4P		4.9	13884	146.91					52	0.90	6.0	11327			119.86	61	1.10			6.6	10330	109.31	63	1.20	5.9	11456	163.31	61	1.05			6.6	10305	146.91	63	1.20	GR149 GRF149	6P		44	1550		32.80	15	0.95	GR89 GRF89	4P			8.1	8408	119.86	66	1.45					8.9	7668	109.31	67	1.60			10	6636	94.60	68	1.85	12	5855	83.47	68	2.10			7.6	8905	188.45			43	0.85		8.3	8241		174.40			48	0.90	GR139 GRF139	4P	51	1323	28.00	14	1.05	GR89 GRF89	4P			9.2	7386	156.31	51	1.00					10	6668	141.12	52	1.15			11	6057	128.18			54	1.25	13	5374	113.72			55	1.40			14	4876			103.20			55	1.55							16							4191					88.70			56	1.80			18	3823	80.91	57	1.95			20	3473	73.49	57	2.20	22	3081	65.20	57	2.50	24	2796	59.17	57	2.70	28	2403	50.86	58	3.10	32	2098	44.39	57	3.50	16	4380	92.70	26	0.95	GR109 GRF109	4P	77	888	18.80			5.0	0.85	GR79 GRF79	4P	18					3713	78.57	30	1.10	20			3444	72.88	30	1.20	22	3100	65.60	29	1.30	24	2807	59.41	29	1.45									27	2489					52.68			28			1.65					30	2251	47.63	27	1.80	36	1908	40.37	26	2.10	41	1666	35.26	25	2.40	49	1393	29.49	24	2.90	47	1454	30.77	24	2.80	GR109 GRF109	4P	81	842	17.82			5.4	0.85	GR69 GRF69			4P	52			1303			27.58	23	3.10	58	1177	24.90	23	3.50	64	1069	22.62	22		3.80	24	2831		59.92	19	1.00	GR99 GRF99	4P	27	2514	53.21					21	1.15	30			2248	47.58	21	1.25																													
9.0	7540	107.49	114	2.20			10	6537	93.19	114	2.60					12	5816	82.91	114	2.90					13	5170	73.70	114	3.30					14	4728	67.40	114	3.60					4.4	15434	163.31	31	0.80			GR149 GRF149	8P	39	1748	37.00			11	0.85	GR89 GRF89	4P	4.9			13884			146.91	52	0.90	6.0					11327	119.86	61	1.10	6.6	10330	109.31	63	1.20			5.9	11456	163.31	61	1.05	6.6	10305	146.91	63	1.20	GR149 GRF149	6P	44	1550	32.80	15	0.95			GR89 GRF89	4P	8.1	8408	119.86	66	1.45					8.9	7668	109.31	67	1.60					10	6636	94.60	68	1.85			12	5855	83.47	68	2.10	7.6	8905	188.45	43	0.85			8.3	8241	174.40	48	0.90	GR139 GRF139	4P		51	1323		28.00	14	1.05	GR89 GRF89	4P			9.2	7386	156.31	51	1.00					10	6668	141.12	52	1.15					11	6057	128.18	54	1.25			13	5374	113.72			55	1.40	14	4876	103.20			55	1.55			16	4191			88.70			56	1.80							18							3823					80.91			57	1.95			20	3473	73.49	57	2.20			22	3081	65.20	57	2.50	24	2796	59.17	57	2.70	28	2403	50.86	58	3.10	32	2098	44.39	57	3.50	16	4380	92.70	26	0.95	GR109 GRF109	4P	77	888	18.80			5.0	0.85	GR79 GRF79			4P	18			3713					78.57	30	1.10	20	3444			72.88	30	1.20	22	3100	65.60	29	1.30	24	2807	59.41	29	1.45	27									2489	52.68	28	1.65			30			2251			47.63	27	1.80			36	1908	40.37	26	2.10	41	1666	35.26	25	2.40	49	1393	29.49	24	2.90	47	1454	30.77	24	2.80	GR109 GRF109	4P	81	842	17.82			5.4	0.85	GR69 GRF69			4P	52					1303			27.58			23	3.10	58	1177	24.90	23	3.50	64	1069	22.62	22	3.80	24	2831	59.92	19	1.00	GR99 GRF99	4P	27			2514	53.21	21	1.15	30			2248	47.58	21			1.25																																
10	6537	93.19	114	2.60			12	5816	82.91	114	2.90					13	5170	73.70	114	3.30					14	4728	67.40	114	3.60					4.4	15434	163.31	31	0.80					GR149 GRF149	8P	39	1748	37.00					11	0.85	GR89 GRF89			4P	4.9			13884			146.91			52	0.90	6.0	11327					119.86	61	1.10	6.6	10330	109.31	63	1.20	5.9			11456	163.31	61	1.05	6.6	10305	146.91	63	1.20	GR149 GRF149			6P	44	1550	32.80	15					0.95	GR89 GRF89	4P	8.1	8408					119.86	66	1.45	8.9	7668					109.31	67	1.60	10	6636			94.60	68	1.85	12	5855	83.47	68	2.10	7.6	8905	188.45	43	0.85	8.3	8241	174.40	48			0.90	GR139 GRF139	4P	51	1323	28.00	14					1.05	GR89 GRF89	4P	9.2	7386					156.31	51	1.00	10	6668					141.12	52	1.15	11	6057			128.18	54	1.25			13	5374	113.72	55	1.40			14	4876			103.20	55			1.55			16	4191							88.70							56					1.80			18	3823			80.91	57	1.95	20	3473			73.49	57	2.20	22	3081	65.20	57	2.50	24	2796	59.17	57	2.70	28	2403	50.86	58	3.10	32	2098	44.39	57	3.50	16	4380			92.70	26	0.95			GR109 GRF109	4P					77			888					18.80	5.0	0.85	GR79 GRF79	4P			18	3713	78.57	30	1.10	20	3444	72.88	30	1.20	22	3100	65.60	29									1.30	24	2807	59.41			29			1.45			27	2489	52.68			28	1.65	30	2251	47.63	27	1.80	36	1908	40.37	26	2.10	41	1666	35.26	25	2.40	49	1393	29.49			24	2.90	47			1454	30.77					24					2.80			GR109 GRF109			4P	81	842	17.82	5.4	0.85	GR69 GRF69	4P	52	1303	27.58	23	3.10	58	1177	24.90	23			3.50			64	1069	22.62	22	3.80			24	2831	59.92			19	1.00	GR99 GRF99	4P	27	2514	53.21	21	1.15	30	2248	47.58	21	1.25																			
12	5816	82.91	114	2.90			13	5170	73.70	114	3.30					14	4728	67.40	114	3.60					4.4	15434	163.31	31	0.80					GR149 GRF149	8P	39	1748	37.00			11	0.85			GR89 GRF89	4P	4.9	13884	146.91			52	0.90					6.0			11327			119.86			61	1.10	6.6	10330	109.31	63			1.20	5.9	11456	163.31	61	1.05	6.6	10305	146.91	63	1.20	GR149 GRF149	6P	44	1550	32.80	15	0.95	GR89 GRF89	4P					8.1	8408	119.86	66					1.45			8.9	7668					109.31	67	1.60	10	6636					94.60	68	1.85	12	5855			83.47	68	2.10	7.6	8905	188.45	43	0.85	8.3	8241	174.40	48	0.90	GR139 GRF139	4P	51	1323			28.00			14	1.05	GR89 GRF89	4P					9.2			7386	156.31					51	1.00	10	6668	141.12					52	1.15	11	6057	128.18			54	1.25	13			5374	113.72	55	1.40	14			4876	103.20			55	1.55			16			4191	88.70							56							1.80					18			3823	80.91			57	1.95	20	3473	73.49			57	2.20	22	3081	65.20	57	2.50	24	2796	59.17	57	2.70	28	2403	50.86	58	3.10	32	2098	44.39	57	3.50	16	4380	92.70			26	0.95	GR109 GRF109									4P			77					888	18.80	5.0					0.85	GR79 GRF79	4P	18	3713	78.57	30	1.10	20	3444	72.88	30	1.20	22				3100	65.60				29	1.30	24	2807	59.41	29	1.45			27			2489	52.68	28			1.65	30	2251	47.63	27	1.80	36	1908	40.37	26	2.10	41	1666	35.26	25	2.40	49	1393	29.49	24			2.90	47	1454			30.77	24					2.80		GR109 GRF109	4P		81				842	17.82		5.4	0.85	GR69 GRF69	4P	52			1303	27.58	23	3.10	58	1177	24.90	23	3.50			64			1069	22.62	22	3.80	24			2831	59.92	19	1.00	GR99 GRF99	4P	27			2514	53.21	21	1.15	30	2248	47.58	21	1.25																				
13	5170	73.70	114	3.30			14	4728	67.40	114	3.60					4.4	15434	163.31	31	0.80					GR149 GRF149	8P	39	1748	37.00			11	0.85			GR89 GRF89	4P	4.9	13884	146.91	52	0.90					6.0	11327	119.86			61	1.10					6.6			10330	109.31	63	1.20			5.9	11456	163.31	61	1.05	6.6	10305	146.91	63	1.20	GR149 GRF149	6P	44	1550	32.80	15	0.95	GR89 GRF89	4P			8.1	8408	119.86	66	1.45							8.9	7668	109.31	67					1.60			10	6636					94.60	68	1.85	12	5855			83.47	68	2.10	7.6	8905	188.45	43	0.85	8.3	8241	174.40	48	0.90	GR139 GRF139	4P	51	1323	28.00	14	1.05	GR89 GRF89	4P			9.2	7386			156.31			51	1.00							10			6668	141.12					52	1.15	11	6057	128.18					54	1.25	13	5374	113.72			55	1.40	14			4876	103.20	55	1.55	16			4191	88.70			56	1.80			18			3823	80.91							57							1.95					20			3473	73.49			57	2.20	22	3081	65.20			57	2.50	24	2796	59.17	57	2.70	28	2403	50.86	58	3.10	32	2098	44.39	57	3.50	16	4380	92.70	26	0.95	GR109 GRF109	4P	77			888	18.80													5.0					0.85	GR79 GRF79	4P					18			3713	78.57	30	1.10	20	3444	72.88	30	1.20	22	3100			65.60	29	1.30	24			2807	59.41	29	1.45	27	2489	52.68	28	1.65	30			2251	47.63	27			1.80	36	1908	40.37	26	2.10	41	1666	35.26	25	2.40	49	1393	29.49	24	2.90	47	1454	30.77	24			2.80	GR109 GRF109	4P			81	842		17.82	5.4		0.85					GR69 GRF69	4P	52		1303	27.58		23	3.10			58			1177	24.90	23	3.50	64	1069	22.62	22	3.80			24			2831	59.92	19	1.00	GR99 GRF99	4P	27	2514	53.21	21	1.15			30			2248	47.58	21	1.25																									
14	4728	67.40	114	3.60			4.4	15434	163.31	31	0.80					GR149 GRF149	8P	39	1748	37.00	11	0.85					GR89 GRF89	4P	4.9	13884	146.91	52	0.90					6.0	11327	119.86	61	1.10					6.6	10330	109.31			63	1.20		5.9	11456		163.31			61	1.05	6.6	10305	146.91	63	1.20	GR149 GRF149	6P	44	1550	32.80	15	0.95	GR89 GRF89	4P			8.1	8408	119.86	66	1.45					8.9	7668	109.31	67	1.60							10	6636	94.60	68					1.85			12	5855			83.47	68	2.10	7.6	8905	188.45	43	0.85	8.3	8241	174.40	48	0.90	GR139 GRF139	4P	51	1323	28.00	14	1.05	GR89 GRF89	4P			9.2	7386	156.31	51	1.00					10	6668			141.12			52	1.15							11			6057	128.18					54	1.25	13	5374	113.72					55	1.40	14	4876	103.20			55	1.55	16	4191	88.70	56	1.80	18	3823	80.91	57	1.95	20	3473			73.49	57			2.20			22	3081							65.20							57					2.50			24	2796			59.17	57	2.70	28	2403			50.86	58	3.10	32	2098	44.39	57	3.50	16	4380	92.70	26	0.95	GR109 GRF109	4P	77	888	18.80	5.0	0.85	GR79 GRF79	4P			18			3713	78.57													30					1.10							20			3444	72.88	30	1.20	22	3100	65.60	29	1.30	24	2807		59.41	29	1.45	27	2489	52.68		28	1.65	30	2251	47.63	27	1.80	36	1908	40.37	26	2.10	41	1666	35.26			25	2.40	49	1393	29.49	24	2.90	47	1454	30.77	24	2.80	GR109 GRF109	4P	81	842	17.82	5.4	0.85	GR69 GRF69			4P			52	1303	27.58	23		3.10	58		1177	24.90			23			3.50		64	1069		22.62	22			3.80			24	2831	59.92	19	1.00	GR99 GRF99	4P	27	2514			53.21	21	1.15	30	2248	47.58	21			1.25																																						
4.4	15434	163.31	31	0.80			GR149 GRF149	8P	39	1748	37.00			11	0.85			GR89 GRF89	4P																																																																																																																																																																																																																																																																																																																																																																																																																																											
4.9	13884	146.91	52	0.90	6.0	11327			119.86	61	1.10	6.6	10330	109.31	63					1.20	5.9	11456	163.31	61					1.05	6.6	10305	146.91	63					1.20	GR149 GRF149	6P	44	1550	32.80	15			0.95	GR89 GRF89	4P	8.1	8408	119.86	66	1.45	8.9	7668	109.31	67	1.60	10	6636	94.60	68	1.85	12	5855	83.47			68	2.10	7.6	8905	188.45					43	0.85	8.3	8241	174.40					48	0.90	GR139 GRF139	4P	51				1323	28.00		14	1.05	GR89 GRF89	4P	9.2	7386	156.31	51	1.00			10	6668	141.12	52	1.15	11	6057	128.18	54	1.25	13	5374	113.72	55	1.40	14	4876			103.20	55	1.55	16	4191					88.70	56	1.80	18	3823					80.91	57			1.95			20	3473							73.49			57	2.20					22	3081	65.20	57	2.50					24	2796	59.17	57	2.70			28	2403	50.86	58	3.10	32	2098	44.39	57	3.50	16	4380	92.70	26			0.95	GR109 GRF109	4P	77	888			18.80	5.0	0.85	GR79 GRF79					4P		18	3713				78.57		30	1.10		20			3444	72.88			30	1.20	22	3100	65.60			29	1.30	24	2807	59.41	29	1.45	27	2489	52.68	28	1.65	30			2251	47.63	27	1.80	36					1908			40.37	26													2.10					41							1666			35.26	25	2.40	49	1393	29.49	24	2.90	47	1454	30.77	24	2.80	GR109 GRF109	4P	81	842	17.82	5.4	0.85	GR69 GRF69	4P	52	1303	27.58	23	3.10	58	1177	24.90	23	3.50	64	1069	22.62	22	3.80	24	2831	59.92	19	1.00	GR99 GRF99	4P	27	2514	53.21	21			1.15	30	2248	47.58	21		1.25																																																																																										
6.0	11327	119.86	61	1.10	6.6	10330			109.31	63	1.20	5.9	11456	163.31	61					1.05	6.6	10305	146.91	63					1.20	GR149 GRF149	6P	44	1550	32.80	15			0.95			GR89 GRF89	4P	8.1	8408	119.86	66	1.45			8.9	7668	109.31	67	1.60	10	6636	94.60	68	1.85	12	5855	83.47	68	2.10	7.6	8905	188.45			43	0.85	8.3	8241	174.40					48	0.90	GR139 GRF139	4P	51					1323	28.00			14			1.05	GR89 GRF89	4P	9.2	7386	156.31			51	1.00	10	6668	141.12	52	1.15	11	6057	128.18	54	1.25	13	5374	113.72	55	1.40	14	4876	103.20	55	1.55	16	4191			88.70	56	1.80	18	3823					80.91	57	1.95	20	3473					73.49	57			2.20			22	3081							65.20			57	2.50					24	2796	59.17	57	2.70					28	2403	50.86	58	3.10			32	2098	44.39	57	3.50	16	4380	92.70	26	0.95	GR109 GRF109	4P	77	888			18.80			5.0	0.85			GR79 GRF79	4P	18								3713	78.57				30		1.10	20		3444			72.88	30	1.20	22	3100	65.60	29	1.30	24	2807	59.41	29	1.45	27	2489	52.68	28	1.65	30	2251	47.63	27	1.80	36			1908	40.37	26	2.10	41					1666			35.26	25													2.40	49	1393			29.49					24	2.90	47			1454	30.77	24	2.80	GR109 GRF109	4P	81	842	17.82	5.4	0.85	GR69 GRF69	4P			52	1303	27.58	23	3.10			58	1177	24.90	23	3.50	64	1069	22.62	22	3.80	24	2831	59.92	19	1.00	GR99 GRF99	4P	27	2514	53.21			21	1.15	30	2248			47.58	21	1.25																																																																																														
6.6	10330	109.31	63	1.20	5.9	11456			163.31	61	1.05	6.6	10305	146.91	63					1.20	GR149 GRF149	6P	44	1550	32.80	15			0.95			GR89 GRF89	4P	8.1	8408	119.86	66	1.45					8.9	7668	109.31	67	1.60			10	6636	94.60	68	1.85	12	5855	83.47	68	2.10	7.6	8905	188.45	43	0.85	8.3	8241	174.40			48	0.90	GR139 GRF139	4P	51					1323	28.00			14			1.05	GR89 GRF89	4P	9.2			7386	156.31	51	1.00			10	6668	141.12			52	1.15	11	6057	128.18	54	1.25	13	5374	113.72	55	1.40	14	4876	103.20	55	1.55	16	4191	88.70	56	1.80	18	3823			80.91	57	1.95	20	3473					73.49	57	2.20	22	3081					65.20	57			2.50			24	2796							59.17			57	2.70					28	2403	50.86	58	3.10					32	2098	44.39	57	3.50			16	4380	92.70	26	0.95	GR109 GRF109	4P	77	888	18.80			5.0	0.85			GR79 GRF79			4P	18					3713								78.57	30				1.10		20	3444		72.88			30	1.20	22	3100	65.60	29	1.30	24	2807	59.41	29	1.45	27	2489	52.68	28	1.65	30	2251	47.63	27	1.80	36	1908			40.37	26	2.10	41	1666					35.26			25	2.40							49	1393					29.49	24	2.90	47	1454	30.77					24	2.80	GR109 GRF109			4P	81	842	17.82			5.4	0.85	GR69 GRF69	4P	52					1303	27.58	23	3.10	58			1177	24.90	23	3.50	64	1069	22.62	22	3.80	24	2831	59.92	19	1.00	GR99 GRF99			4P	27	2514			53.21	21	1.15	30			2248	47.58	21	1.25																																																																																													
5.9	11456	163.31	61	1.05	6.6	10305			146.91	63	1.20	GR149 GRF149	6P	44	1550	32.80	15			0.95			GR89 GRF89	4P	8.1	8408	119.86	66	1.45					8.9	7668	109.31	67	1.60					10	6636	94.60	68	1.85			12	5855	83.47	68	2.10	7.6	8905	188.45	43	0.85	8.3	8241	174.40	48	0.90	GR139 GRF139	4P	51			1323	28.00			14			1.05	GR89 GRF89	4P	9.2			7386	156.31	51	1.00			10			6668	141.12	52	1.15			11	6057	128.18			54	1.25	13	5374	113.72	55	1.40	14	4876	103.20	55	1.55	16	4191	88.70	56	1.80	18	3823	80.91	57	1.95	20	3473			73.49	57	2.20	22	3081					65.20	57	2.50	24	2796					59.17	57			2.70			28	2403							50.86			58	3.10					32	2098	44.39	57	3.50					16	4380	92.70	26	0.95			GR109 GRF109	4P	77	888	18.80			5.0	0.85	GR79 GRF79			4P	18							3713					78.57								30	1.10	20	3444		72.88		30	1.20		22	3100	65.60	29	1.30	24	2807	59.41	29	1.45	27	2489	52.68	28	1.65	30	2251	47.63	27	1.80	36	1908	40.37	26	2.10	41	1666			35.26	25	2.40	49	1393					29.49			24	2.90		47	1454				30.77	24			2.80	GR109 GRF109	4P	81	842	17.82	5.4	0.85					GR69 GRF69	4P					52	1303	27.58			23	3.10			58					1177	24.90	23	3.50	64			1069	22.62	22	3.80	24	2831	59.92	19	1.00	GR99 GRF99	4P	27	2514	53.21					21	1.15			30	2248	47.58	21	1.25																																																																																																		
6.6	10305	146.91	63	1.20	GR149 GRF149	6P	44	1550	32.80	15	0.95			GR89 GRF89	4P																																																																																																																																																																																																																																																																																																																																																																																																																																															
8.1	8408	119.86	66	1.45			8.9	7668	109.31	67	1.60					10	6636	94.60	68	1.85					12	5855	83.47	68	2.10					7.6	8905	188.45	43	0.85					8.3	8241	174.40	48	0.90			GR139 GRF139	4P	51	1323	28.00	14	1.05	GR89 GRF89	4P	9.2	7386	156.31	51	1.00	10			6668	141.12	52	1.15	11			6057	128.18	54	1.25			13			5374	113.72	55	1.40			14			4876	103.20	55	1.55			16	4191	88.70			56	1.80	18	3823	80.91	57	1.95	20	3473	73.49	57	2.20	22	3081	65.20	57	2.50	24	2796	59.17	57	2.70	28	2403			50.86	58	3.10	32	2098					44.39	57	3.50	16	4380					92.70	26			0.95			GR109 GRF109	4P							77			888	18.80					5.0	0.85	GR79 GRF79	4P	18					3713	78.57	30	1.10	20					3444	72.88	30			1.20	22					3100							65.60	29	1.30			24			2807	59.41			29	1.45	27	2489	52.68	28	1.65	30	2251	47.63	27	1.80	36	1908	40.37	26	2.10	41	1666	35.26	25	2.40	49	1393	29.49	24	2.90	47	1454	30.77	24	2.80	GR109 GRF109	4P	81	842	17.82	5.4			0.85	GR69 GRF69	4P	52	1303					27.58	23	3.10	58	1177		24.90	23	3.50	64	1069	22.62	22	3.80		24			2831	59.92	19	1.00	GR99 GRF99			4P	27							2514	53.21	21			1.15	30			2248			47.58	21	1.25																																																																																																																																			
8.9	7668	109.31	67	1.60			10	6636	94.60	68	1.85					12	5855	83.47	68	2.10					7.6	8905	188.45	43	0.85					8.3	8241	174.40	48	0.90	GR139 GRF139	4P			51	1323	28.00	14	1.05	GR89 GRF89	4P			9.2	7386	156.31	51	1.00			10	6668	141.12	52	1.15	11			6057	128.18	54	1.25	13			5374	113.72	55	1.40			14			4876	103.20	55	1.55			16			4191	88.70	56	1.80			18	3823	80.91			57	1.95	20	3473	73.49	57	2.20	22	3081	65.20	57	2.50	24	2796	59.17	57	2.70	28	2403	50.86	58	3.10	32	2098			44.39	57	3.50	16	4380					92.70	26	0.95	GR109 GRF109	4P					77	888			18.80											5.0			0.85	GR79 GRF79					4P	18			3713					78.57	30	1.10	20	3444					72.88	30	1.20			22	3100					65.60	29	1.30					24	2807	59.41			29		1.45	27	2489	52.68		28	1.65	30	2251	47.63	27	1.80	36	1908	40.37	26	2.10	41	1666	35.26	25	2.40	49	1393	29.49	24	2.90	47	1454	30.77	24	2.80	GR109 GRF109	4P	81	842	17.82			5.4	0.85	GR69 GRF69	4P			52			1303	27.58					23	3.10	58	1177	24.90	23	3.50	64	1069	22.62	22	3.80	24	2831	59.92	19			1.00	GR99 GRF99	4P	27					2514				53.21	21		1.15	30	2248	47.58	21	1.25																																																																																																																																												
10	6636	94.60	68	1.85			12	5855	83.47	68	2.10					7.6	8905	188.45	43	0.85					8.3	8241	174.40	48	0.90	GR139 GRF139	4P			51	1323	28.00	14	1.05			GR89 GRF89	4P	9.2	7386	156.31	51	1.00					10	6668	141.12	52	1.15			11	6057	128.18	54	1.25	13			5374	113.72	55	1.40	14			4876	103.20	55	1.55			16			4191	88.70	56	1.80			18			3823	80.91	57	1.95			20	3473	73.49			57	2.20	22	3081	65.20	57	2.50	24	2796	59.17	57	2.70	28	2403	50.86	58	3.10	32	2098	44.39	57	3.50	16	4380			92.70	26	0.95	GR109 GRF109	4P					77	888	18.80							5.0	0.85			GR79 GRF79											4P			18							3713			78.57					30	1.10	20	3444	72.88					30	1.20	22			3100	65.60					29	1.30	24					2807	59.41	29			1.45		27	2489	52.68	28		1.65	30	2251	47.63	27	1.80	36	1908	40.37	26	2.10	41	1666	35.26	25	2.40	49	1393	29.49	24	2.90	47	1454	30.77	24	2.80	GR109 GRF109			4P	81	842			17.82	5.4					0.85			GR69 GRF69	4P			52	1303	27.58	23	3.10	58	1177	24.90	23	3.50	64	1069	22.62	22	3.80	24	2831	59.92			19			1.00		GR99 GRF99	4P		27			2514	53.21	21	1.15	30	2248	47.58	21	1.25																																																																																																																																													
12	5855	83.47	68	2.10			7.6	8905	188.45	43	0.85					8.3	8241	174.40	48	0.90	GR139 GRF139	4P			51	1323	28.00	14	1.05			GR89 GRF89	4P	9.2	7386	156.31	51	1.00					10	6668	141.12	52	1.15					11	6057	128.18	54	1.25			13	5374	113.72	55	1.40	14			4876	103.20	55	1.55	16			4191	88.70	56	1.80			18			3823	80.91	57	1.95			20			3473	73.49	57	2.20			22	3081	65.20			57	2.50	24	2796	59.17	57	2.70	28	2403	50.86	58	3.10	32	2098	44.39	57	3.50	16	4380	92.70	26	0.95	GR109 GRF109	4P			77	888	18.80							5.0	0.85	GR79 GRF79							4P	18																	3713							78.57			30			1.10	20	3444	72.88	30	1.20	22	3100	65.60			29	1.30	24			2807	59.41					29	1.45	27					2489	52.68	28			1.65		30	2251	47.63	27		1.80	36	1908	40.37	26	2.10	41	1666	35.26	25	2.40	49	1393	29.49	24	2.90	47	1454	30.77	24	2.80	GR109 GRF109	4P	81	842	17.82					5.4	0.85			GR69 GRF69	4P			52	1303	27.58					23	3.10	58	1177	24.90	23	3.50	64	1069	22.62	22	3.80	24	2831	59.92	19	1.00	GR99 GRF99	4P	27	2514	53.21	21			1.15					30	2248	47.58	21	1.25																																																																																																																																																				
7.6	8905	188.45	43	0.85			8.3	8241	174.40	48	0.90	GR139 GRF139	4P			51	1323	28.00	14	1.05			GR89 GRF89	4P	9.2	7386	156.31	51	1.00					10	6668	141.12	52	1.15					11	6057	128.18	54	1.25					13	5374	113.72	55	1.40			14	4876	103.20	55	1.55	16			4191	88.70	56	1.80	18			3823	80.91	57	1.95			20			3473	73.49	57	2.20			22			3081	65.20	57	2.50			24	2796	59.17			57	2.70	28	2403	50.86	58	3.10	32	2098	44.39	57	3.50	16	4380	92.70	26	0.95	GR109 GRF109	4P	77	888	18.80					5.0	0.85	GR79 GRF79							4P	18									3713																	78.57				30	1.10		20			3444	72.88	30	1.20	22	3100	65.60	29	1.30	24	2807	59.41			29	1.45	27			2489	52.68					28	1.65	30					2251	47.63	27			1.80		36	1908	40.37	26		2.10	41	1666	35.26	25	2.40	49	1393	29.49	24	2.90	47	1454	30.77	24	2.80	GR109 GRF109	4P	81	842	17.82			5.4	0.85	GR69 GRF69					4P	52							1303	27.58	23					3.10	58	1177	24.90	23	3.50	64	1069	22.62	22	3.80	24	2831	59.92	19	1.00	GR99 GRF99			4P	27	2514	53.21			21					1.15	30	2248	47.58	21	1.25																																																																																																																																																			
8.3	8241	174.40	48	0.90	GR139 GRF139	4P	51	1323	28.00	14	1.05			GR89 GRF89	4P																																																																																																																																																																																																																																																																																																																																																																																																																																															
9.2	7386	156.31	51	1.00			10	6668	141.12	52	1.15					11	6057	128.18	54	1.25					13	5374	113.72	55	1.40					14	4876	103.20	55	1.55					16	4191	88.70	56	1.80					18	3823	80.91	57	1.95			20	3473	73.49	57	2.20	22			3081	65.20	57	2.50	24			2796	59.17	57	2.70			28			2403	50.86	58	3.10			32			2098	44.39	57	3.50			16	4380	92.70			26	0.95	GR109 GRF109	4P	77	888	18.80	5.0	0.85	GR79 GRF79	4P	18	3713	78.57	30	1.10	20			3444	72.88	30					1.20	22									3100									65.60	29	1.30								24	2807	59.41	29				1.45		27	2489	52.68	28		1.65			30	2251	47.63	27	1.80	36	1908	40.37	26	2.10	41	1666			35.26	25	2.40			49	1393		29.49	24		2.90	47	1454		30.77	24		2.80	GR109 GRF109	4P	81	842	17.82	5.4	0.85	GR69 GRF69	4P	52	1303	27.58	23	3.10	58	1177	24.90	23	3.50	64	1069	22.62	22	3.80	24	2831	59.92			19	1.00	GR99 GRF99			4P	27			2514	53.21			21	1.15	30			2248	47.58	21	1.25																																																																																																																																																																																												
10	6668	141.12	52	1.15			11	6057	128.18	54	1.25					13	5374	113.72	55	1.40					14	4876	103.20	55	1.55					16	4191	88.70	56	1.80					18	3823	80.91	57	1.95					20	3473	73.49	57	2.20			22	3081	65.20	57	2.50	24			2796	59.17	57	2.70	28			2403	50.86	58	3.10			32			2098	44.39	57	3.50			16			4380	92.70	26	0.95			GR109 GRF109	4P	77			888	18.80			5.0	0.85	GR79 GRF79	4P	18			3713	78.57	30	1.10	20	3444			72.88	30	1.20					22	3100									65.60									29	1.30	24		2807	59.41					29	1.45	27	2489		52.68	28	1.65		30	2251	47.63	27		1.80			36	1908	40.37	26	2.10	41	1666	35.26	25	2.40	49	1393			29.49	24	2.90	47	1454	30.77	24		2.80	GR109 GRF109		4P	81	842	17.82	5.4	0.85	GR69 GRF69	4P			52	1303	27.58	23	3.10			58	1177	24.90	23	3.50	64	1069	22.62	22	3.80	24	2831	59.92	19	1.00	GR99 GRF99	4P	27			2514	53.21					21		1.15	30	2248	47.58		21	1.25																																																																																																																																																																																																			
11	6057	128.18	54	1.25			13	5374	113.72	55	1.40					14	4876	103.20	55	1.55					16	4191	88.70	56	1.80					18	3823	80.91	57	1.95					20	3473	73.49	57	2.20					22	3081	65.20	57	2.50			24	2796	59.17	57	2.70	28			2403	50.86	58	3.10	32			2098	44.39	57	3.50			16			4380	92.70	26	0.95			GR109 GRF109			4P	77	888	18.80					5.0			0.85	GR79 GRF79			4P	18			3713			78.57	30	1.10	20	3444	72.88			30	1.20	22					3100	65.60									29						1.30	24		2807	59.41	29		1.45	27			2489	52.68	28	1.65	30	2251		47.63	27	1.80		36	1908	40.37	26		2.10			41	1666	35.26	25	2.40	49	1393	29.49	24	2.90	47	1454	30.77	24	2.80	GR109 GRF109	4P	81	842	17.82	5.4	0.85	GR69 GRF69		4P		52	1303	27.58	23	3.10					58	1177	24.90	23	3.50			64	1069	22.62	22	3.80	24	2831	59.92	19	1.00	GR99 GRF99	4P	27	2514	53.21			21			1.15	30		2248	47.58		21		1.25																																																																																																																																																																																																									
13	5374	113.72	55	1.40			14	4876	103.20	55	1.55					16	4191	88.70	56	1.80					18	3823	80.91	57	1.95					20	3473	73.49	57	2.20					22	3081	65.20	57	2.50					24	2796	59.17	57	2.70			28	2403	50.86	58	3.10	32			2098	44.39	57	3.50	16			4380	92.70	26	0.95			GR109 GRF109			4P	77	888	18.80							5.0	0.85	GR79 GRF79					4P			18					3713			78.57			30	1.10	20	3444	72.88	30			1.20	22	3100					65.60	29						1.30	24		2807				59.41	29	1.45	27		2489	52.68	28		1.65	30			2251	47.63	27	1.80	36	1908		40.37	26	2.10		41	1666	35.26	25		2.40			49	1393	29.49	24	2.90	47	1454	30.77	24	2.80	GR109 GRF109	4P	81	842	17.82			5.4	0.85	GR69 GRF69	4P	52					1303	27.58	23	3.10	58					1177	24.90	23	3.50	64			1069	22.62	22	3.80	24	2831	59.92	19	1.00	GR99 GRF99			4P	27	2514			53.21	21	1.15	30	2248		47.58	21		1.25																																																																																																																																																																																																											
14	4876	103.20	55	1.55			16	4191	88.70	56	1.80					18	3823	80.91	57	1.95					20	3473	73.49	57	2.20					22	3081	65.20	57	2.50					24	2796	59.17	57	2.70					28	2403	50.86	58	3.10			32	2098	44.39	57	3.50	16			4380	92.70	26	0.95	GR109 GRF109			4P	77	888	18.80							5.0	0.85	GR79 GRF79							4P	18									3713					78.57			30			1.10	20	3444	72.88	30	1.20			22	3100	65.60			29	1.30	24	2807				59.41	29	1.45	27		2489				52.68	28	1.65	30		2251	47.63	27		1.80	36	1908	40.37	26	2.10	41	1666	35.26	25		2.40	49	1393		29.49	24	2.90	47		1454	30.77	24	2.80	GR109 GRF109	4P	81	842	17.82	5.4	0.85	GR69 GRF69	4P			52	1303	27.58			23	3.10			58					1177	24.90	23	3.50	64					1069	22.62	22	3.80	24			2831	59.92	19	1.00	GR99 GRF99	4P	27	2514	53.21					21	1.15			30	2248	47.58	21	1.25																																																																																																																																																																																																																
16	4191	88.70	56	1.80			18	3823	80.91	57	1.95					20	3473	73.49	57	2.20					22	3081	65.20	57	2.50					24	2796	59.17	57	2.70					28	2403	50.86	58	3.10					32	2098	44.39	57	3.50			16	4380	92.70	26	0.95	GR109 GRF109			4P	77	888	18.80					5.0	0.85	GR79 GRF79							4P	18									3713									78.57					30			1.10			20	3444	72.88	30	1.20	22			3100	65.60	29			1.30	24	2807	59.41				29	1.45	27	2489		52.68		28	1.65	30	2251	47.63	27		1.80	36	1908		40.37	26	2.10	41	1666	35.26	25	2.40	49	1393		29.49	24	2.90	47	1454	30.77	24	2.80	GR109 GRF109	4P	81	842	17.82			5.4	0.85	GR69 GRF69	4P	52					1303	27.58	23			3.10	58			1177					24.90	23	3.50	64	1069			22.62	22	3.80	24	2831	59.92	19	1.00	GR99 GRF99	4P	27	2514	53.21			21	1.15	30					2248	47.58			21	1.25																																																																																																																																																																																																																			
18	3823	80.91	57	1.95			20	3473	73.49	57	2.20					22	3081	65.20	57	2.50					24	2796	59.17	57	2.70					28	2403	50.86	58	3.10					32	2098	44.39	57	3.50					16	4380	92.70	26	0.95			GR109 GRF109	4P	77	888	18.80					5.0	0.85	GR79 GRF79					4P	18									3713					78.57	30			1.10							20	3444	72.88					30			1.20			22	3100	65.60	29	1.30	24			2807	59.41	29			1.45	27	2489	52.68		28	1.65	30	2251	47.63	27		1.80		36	1908	40.37	26	2.10	41		1666	35.26	25	2.40	49	1393	29.49	24	2.90	47	1454	30.77	24	2.80	GR109 GRF109	4P	81	842	17.82	5.4	0.85	GR69 GRF69	4P			52	1303	27.58			23	3.10			58					1177	24.90	23			3.50	64			1069		22.62		22	3.80	24	2831	59.92	19	1.00	GR99 GRF99	4P	27	2514	53.21	21	1.15	30	2248			47.58	21	1.25																																																																																																																																																																																																																																		
20	3473	73.49	57	2.20			22	3081	65.20	57	2.50					24	2796	59.17	57	2.70					28	2403	50.86	58	3.10					32	2098	44.39	57	3.50					16	4380	92.70	26	0.95					GR109 GRF109	4P	77	888	18.80					5.0	0.85	GR79 GRF79					4P	18							3713					78.57	30			1.10					20	3444			72.88		30	1.20				22	3100	65.60					29			1.30			24	2807	59.41	29	1.45	27			2489	52.68	28	1.65	30	2251	47.63	27	1.80		36	1908	40.37	26	2.10	41		1666	35.26	25	2.40	49	1393	29.49	24	2.90	47	1454	30.77	24	2.80	GR109 GRF109	4P	81	842	17.82	5.4	0.85	GR69 GRF69	4P			52	1303	27.58	23	3.10					58	1177	24.90			23	3.50			64					1069	22.62	22	3.80	24	2831	59.92			19	1.00	GR99 GRF99	4P	27	2514	53.21	21	1.15	30	2248			47.58	21	1.25																																																																																																																																																																																																																																											
22	3081	65.20	57	2.50			24	2796	59.17	57	2.70					28	2403	50.86	58	3.10					32	2098	44.39	57	3.50					16	4380	92.70	26	0.95					GR109 GRF109	4P	77	888	18.80							5.0	0.85	GR79 GRF79					4P	18							3713			78.57	30			1.10					20	3444			72.88		30	1.20		22	3100			65.60		29	1.30				24	2807	59.41					29			1.45			27	2489	52.68	28	1.65	30	2251	47.63	27	1.80	36	1908	40.37	26	2.10	41	1666	35.26	25	2.40	49	1393	29.49	24	2.90	47	1454	30.77	24	2.80	GR109 GRF109	4P	81	842	17.82	5.4	0.85	GR69 GRF69	4P			52	1303	27.58	23	3.10					58	1177	24.90	23	3.50					64	1069	22.62			22	3.80			24			2831	59.92	19	1.00	GR99 GRF99	4P	27	2514	53.21	21	1.15	30	2248			47.58	21	1.25																																																																																																																																																																																																																																																				
24	2796	59.17	57	2.70			28	2403	50.86	58	3.10					32	2098	44.39	57	3.50					16	4380	92.70	26	0.95					GR109 GRF109	4P	77	888	18.80							5.0	0.85	GR79 GRF79							4P	18							3713			78.57	30			1.10			20	3444			72.88		30	1.20		22	3100			65.60		29	1.30		24	2807			59.41		29	1.45				27	2489	52.68					28			1.65			30	2251	47.63	27	1.80	36	1908	40.37	26	2.10	41	1666	35.26	25	2.40	49	1393	29.49	24	2.90	47	1454	30.77	24	2.80	GR109 GRF109	4P	81	842	17.82			5.4	0.85	GR69 GRF69	4P	52					1303	27.58	23	3.10	58					1177	24.90	23	3.50	64					1069	22.62	22	3.80	24	2831	59.92			19	1.00	GR99 GRF99	4P	27	2514	53.21			21	1.15	30	2248	47.58	21	1.25																																																																																																																																																																																																																																																									
28	2403	50.86	58	3.10			32	2098	44.39	57	3.50					16	4380	92.70	26	0.95					GR109 GRF109	4P	77	888	18.80							5.0	0.85	GR79 GRF79							4P	18									3713							78.57			30	1.10			20			3444	72.88			30		1.20	22		3100	65.60			29		1.30	24		2807	59.41			29		1.45	27				2489	52.68	28		1.65	30		2251			47.63	27	1.80	36	1908	40.37	26	2.10	41	1666	35.26	25	2.40	49	1393	29.49	24	2.90	47	1454	30.77	24	2.80	GR109 GRF109	4P	81	842	17.82			5.4	0.85	GR69 GRF69			4P	52			1303					27.58	23	3.10	58	1177					24.90	23	3.50	64	1069			22.62	22	3.80	24	2831	59.92	19	1.00	GR99 GRF99	4P	27	2514	53.21			21	1.15	30			2248	47.58	21	1.25																																																																																																																																																																																																																																																												
32	2098	44.39	57	3.50			16	4380	92.70	26	0.95					GR109 GRF109	4P	77	888	18.80							5.0	0.85	GR79 GRF79							4P	18									3713				78.57	30				1.10		20	3444				72.88			30	1.20			22			3100	65.60			29		1.30	24		2807	59.41			29		1.45	27		2489	52.68			28		1.65	30	2251	47.63		27	1.80	36		1908	40.37		26	2.10	41	1666	35.26	25	2.40	49	1393	29.49	24	2.90	47	1454	30.77	24	2.80	GR109 GRF109	4P	81	842	17.82	5.4	0.85	GR69 GRF69	4P			52	1303	27.58			23	3.10					58			1177					24.90	23	3.50	64	1069			22.62	22	3.80	24	2831	59.92	19	1.00	GR99 GRF99	4P	27	2514	53.21	21	1.15	30	2248			47.58	21	1.25																																																																																																																																																																																																																																																																							
16	4380	92.70	26	0.95			GR109 GRF109	4P	77	888	18.80							5.0	0.85	GR79 GRF79							4P																																																																																																																																																																																																																																																																																																																																																																																																																																			
18	3713	78.57	30	1.10					20	3444	72.88							30	1.20									22		3100	65.60						29		1.30	24	2807	59.41				29		1.45	27	2489	52.68				28		1.65	30				2251			47.63	27			1.80			36	1908			40.37		26	2.10	41	1666	35.26	25		2.40		49	1393	29.49	24	2.90	47		1454	30.77	24	2.80	GR109 GRF109	4P	81	842	17.82	5.4	0.85	GR69 GRF69	4P	52	1303	27.58	23	3.10	58	1177	24.90	23	3.50	64	1069	22.62	22	3.80	24	2831	59.92			19	1.00	GR99 GRF99	4P	27					2514	53.21	21			1.15	30		2248	47.58		21			1.25																																																																																																																																																																																																																																																																																																								
20	3444	72.88	30	1.20					22	3100	65.60							29	1.30		24	2807						59.41		29	1.45	27	2489				52.68		28	1.65	30	2251				47.63		27	1.80	36	1908				40.37		26	2.10				41			1666	35.26			25		2.40	49	1393	29.49		24		2.90	47	1454	30.77	24	2.80		GR109 GRF109	4P	81	842	17.82	5.4	0.85	GR69 GRF69	4P	52	1303	27.58	23			3.10	58	1177	24.90	23			3.50	64	1069	22.62	22	3.80	24	2831	59.92	19	1.00	GR99 GRF99	4P	27	2514	53.21	21	1.15			30	2248			47.58					21	1.25																																																																																																																																																																																																																																																																																																																					
22	3100	65.60	29	1.30					24	2807	59.41	29	1.45					27	2489		52.68	28	1.65	30				2251		47.63	27	1.80	36				1908		40.37	26	2.10	41				1666		35.26	25	2.40	49				1393		29.49	24				2.90		47	1454	30.77	24		2.80		GR109 GRF109	4P	81	842		17.82	5.4	0.85	GR69 GRF69	4P	52	1303	27.58	23			3.10	58	1177	24.90	23			3.50	64	1069	22.62			22	3.80	24	2831	59.92			19	1.00	GR99 GRF99	4P	27	2514	53.21	21	1.15	30	2248			47.58	21	1.25																																																																																																																																																																																																																																																																																																																																				
24	2807	59.41	29	1.45	27	2489			52.68	28	1.65	30	2251	47.63	27			1.80	36		1908	40.37	26	2.10				41		1666	35.26	25	2.40				49		1393	29.49	24	2.90				47		1454	30.77	24	2.80				GR109 GRF109		4P	81	842	17.82		5.4		0.85	GR69 GRF69	4P	52		1303	27.58			23	3.10	58	1177	24.90	23			3.50	64	1069	22.62			22	3.80	24	2831	59.92			19	1.00	GR99 GRF99	4P			27	2514	53.21	21	1.15			30	2248			47.58	21	1.25																																																																																																																																																																																																																																																																																																																																													
27	2489	52.68	28	1.65	30	2251			47.63	27	1.80	36	1908	40.37	26			2.10	41		1666	35.26	25	2.40				49		1393	29.49	24	2.90				47		1454	30.77	24	2.80				GR109 GRF109		4P	81	842	17.82	5.4	0.85					GR69 GRF69	4P	52		1303	27.58	23			3.10	58	1177	24.90			23	3.50	64	1069	22.62	22			3.80	24	2831	59.92			19	1.00	GR99 GRF99	4P	27			2514	53.21					21	1.15	30	2248	47.58			21	1.25																																																																																																																																																																																																																																																																																																																																																		
30	2251	47.63	27	1.80	36	1908			40.37	26	2.10	41	1666	35.26	25			2.40	49		1393	29.49	24	2.90				47		1454	30.77	24	2.80				GR109 GRF109		4P	81	842	17.82	5.4	0.85					GR69 GRF69	4P	52	1303	27.58			23				3.10	58	1177	24.90	23			3.50	64	1069	22.62			22	3.80	24	2831	59.92	19			1.00	GR99 GRF99	4P	27			2514	53.21			21			1.15	30			2248	47.58	21	1.25																																																																																																																																																																																																																																																																																																																																																									
36	1908	40.37	26	2.10	41	1666			35.26	25	2.40	49	1393	29.49	24			2.90	47		1454	30.77	24	2.80				GR109 GRF109		4P	81	842	17.82	5.4	0.85					GR69 GRF69	4P	52	1303	27.58			23				3.10	58	1177	24.90		23				3.50	64	1069	22.62	22			3.80	24	2831	59.92			19	1.00	GR99 GRF99	4P	27	2514			53.21			21	1.15	30	2248	47.58			21	1.25																																																																																																																																																																																																																																																																																																																																																																		
41	1666	35.26	25	2.40	49	1393			29.49	24	2.90	47	1454	30.77	24			2.80	GR109 GRF109		4P	81	842	17.82	5.4	0.85					GR69 GRF69	4P	52	1303	27.58			23				3.10	58	1177	24.90		23				3.50	64	1069	22.62		22				3.80	24	2831	59.92	19			1.00	GR99 GRF99	4P	27	2514	53.21	21	1.15			30	2248	47.58	21	1.25																																																																																																																																																																																																																																																																																																																																																																													
49	1393	29.49	24	2.90	47	1454			30.77	24	2.80	GR109 GRF109	4P	81	842	17.82	5.4	0.85				GR69 GRF69	4P	52	1303	27.58			23				3.10	58	1177	24.90		23				3.50	64	1069	22.62		22				3.80	24	2831	59.92	19	1.00	GR99 GRF99			4P	27	2514	53.21	21	1.15	30	2248			47.58	21	1.25																																																																																																																																																																																																																																																																																																																																																																																						
47	1454	30.77	24	2.80	GR109 GRF109	4P	81	842	17.82	5.4	0.85			GR69 GRF69	4P																																																																																																																																																																																																																																																																																																																																																																																																																																															
52	1303	27.58	23	3.10			58	1177	24.90	23	3.50					64	1069	22.62		22				3.80	24	2831	59.92		19				1.00	GR99 GRF99	4P	27	2514	53.21	21			1.15	30	2248	47.58	21	1.25																																																																																																																																																																																																																																																																																																																																																																																																															
58	1177	24.90	23	3.50			64	1069	22.62	22	3.80					24	2831	59.92		19				1.00	GR99 GRF99	4P	27	2514	53.21	21			1.15			30	2248	47.58	21	1.25																																																																																																																																																																																																																																																																																																																																																																																																																						
64	1069	22.62	22	3.80			24	2831	59.92	19	1.00					GR99 GRF99	4P	27	2514	53.21	21			1.15			30	2248	47.58	21	1.25																																																																																																																																																																																																																																																																																																																																																																																																																															
24	2831	59.92	19	1.00			GR99 GRF99	4P	27	2514	53.21	21	1.15					30	2248	47.58	21	1.25																																																																																																																																																																																																																																																																																																																																																																																																																																								
27	2514	53.21	21	1.15	30	2248			47.58	21	1.25																																																																																																																																																																																																																																																																																																																																																																																																																																																			
30	2248	47.58	21	1.25																																																																																																																																																																																																																																																																																																																																																																																																																																																										

**选型参数表
(恒功率)**
**Selection Table
(Constant Power)**

n_a [r/min]	M_a [N.m]	i	F_{Ra} [kN]	f_B	机型号 Type size	极数 Pole	n_a [r/min]	M_a [N.m]	i	F_{Ra} [kN]	f_B	机型号 Type size	极数 Pole																																																																																																																																																																																																																																																																																																																																																																																																																																																																																																																																																													
7.5kW							11kW																																																																																																																																																																																																																																																																																																																																																																																																																																																																																																																																																																			
310	219	9.35	2.6	1.60	GR59 GRF59	2P	4.9	19156	295	114	0.90	GR169R109 GRF169R109	4P																																																																																																																																																																																																																																																																																																																																																																																																																																																																																																																																																													
364	187	7.97	2.5	1.80			385	177	7.53	2.5	1.90			452	150	6.41	2.4	2.10	498	137	5.82	2.4	2.20	574	118	5.05	2.3	2.50	661	103	4.39	2.3	2.60	221	316	6.52	16	3.55	GRX139 GRXF139	4P	5.0	18897	291	114	0.95	GR169R109 GRF169R109	4P	245	285	5.87	16	4.60	217	322	6.63	10	1.40	GRX109 GRXF109	4P	4.4	21754	335	114	0.80	GR169R99 GRF169R99	4P	257	272	5.61	9.2	1.60	277	252	5.19	9.0	2.70	310	226	4.65	8.7	3.00	343	204	4.20	8.5	3.90	249	281	5.79	7.7	1.45	GRX99 GRXF99	4P	5.9	16039	247	25	0.80	GR149R89 GRF149R89	4P	293	238	4.91	7.4	1.60	319	219	4.52	7.2	2.60	356	196	4.04	7.0	2.90	396	177	3.64	6.8	3.30	436	160	3.30	6.6	3.60	493	142	2.92	6.4	4.10	320	218	4.50	5.5	1.30	GRX89 GRXF89	4P	3.8	26532	194.08	128	1.25	GR179 GRF179	8P	381	183	3.78	5.3	1.60	414	169	3.48	5.1	2.30	466	150	3.09	5.0	2.60	522	134	2.76	4.9	2.90	581	120	2.48	4.7	3.30	670	104	2.15	4.5	3.60	746	94	1.93	4.4	3.70	900	78	1.60	4.2	3.90	1036	67	1.39	4.0	4.20	443	158	3.25	3.6	1.10	GRX79 GRXF79	4P	5.5	18302	177.89	128	1.85	GR179 GRF179	6P	468	149	3.08	3.7	1.25	533	131	2.70	3.6	1.60	593	118	2.43	3.5	1.75	676	103	2.13	3.4	1.85	766	91	1.88	3.3	2.00	862	81	1.67	3.2	2.10	1014	69	1.42	3.1	2.20	567	123	2.54	1.4	0.95	GRX69 GRXF69	4P	7.5	13266	194.08	128	2.55	GR179 GRF179	4P	600	116	2.40	1.5	1.00	706	99	2.04	1.7	1.30	774	90	1.86	1.8	1.35	894	78	1.61	2.0	1.40	1029	68	1.40	2.0	1.50	11kW							11kW							2.5	38313	590	128	1.0	GR179R109 GRF179R109	4P	5.2	19232	186.93	114	0.90	GR169 GRF169	6P	3.0	31949	492	128	1.1	3.2	29222	450	128	1.3	3.6	26170	403	128	1.4	4.0	23637	364	128	1.5	4.4	21494	331	128	1.7	5.0	19026	293	128	1.9	5.5	17273	266	128	2.1	6.4	14871	229	128	2.5	7.3	12987	200	128	2.8	2.4	40326	621	128	0.9	GR179R99 GRF179R99	4P	6.3	15748	153.07	114	1.05	GR169 GRF169	6P	2.6	36559	563	128	1.0	3.0	31235	481	128	1.2	3.1	30975	477	128	1.2	3.6	26494	408	128	1.4	4.1	23117	356	128	1.6	4.9	19156	295	128	1.9	8.9	11163	163.31	61	1.10	GR149 GRF149	4P	6.6	15115	146.91	34	0.80	GR149 GRF149	6P	9.9	10042	146.91	63	1.20	12	8193	119.86	65	1.50	13	7472	109.31	66	1.65	15	6466	94.60	67	1.90	17	5706	83.47	68	2.10	20	4928	72.09	69	2.50	22	4579	66.99	69	2.70	24	4176	61.09	70	2.90	28	3614	52.87	70	3.40	10	9646	141.12	22	0.80	GR139 GRF139	4P	11	8762	128.18	45	0.85	13	7773	113.72	50	0.95	14	7054	103.20	52	1.05	16	6063	88.70	53	1.25																																																																										
385	177	7.53	2.5	1.90			452	150	6.41	2.4	2.10			498	137	5.82	2.4	2.20	574	118	5.05	2.3	2.50	661	103	4.39	2.3	2.60	221	316	6.52	16	3.55	GRX139 GRXF139	4P	5.0	18897	291			114	0.95	GR169R109 GRF169R109	4P	245			285	5.87	16	4.60	217	322	6.63	10	1.40	GRX109 GRXF109			4P	4.4	21754	335	114			0.80	GR169R99 GRF169R99	4P	257	272	5.61	9.2	1.60	277	252	5.19	9.0	2.70	310	226	4.65	8.7	3.00	343	204	4.20	8.5	3.90	249	281			5.79	7.7	1.45	GRX99 GRXF99	4P			5.9	16039	247	25	0.80	GR149R89 GRF149R89	4P	293	238	4.91	7.4	1.60	319	219	4.52	7.2	2.60	356	196	4.04	7.0	2.90	396	177	3.64	6.8	3.30	436	160	3.30	6.6	3.60	493	142	2.92			6.4	4.10	320	218	4.50			5.5	1.30	GRX89 GRXF89	4P	3.8	26532	194.08	128	1.25	GR179 GRF179	8P	381	183	3.78	5.3	1.60	414	169	3.48	5.1	2.30	466	150	3.09	5.0	2.60	522	134	2.76	4.9	2.90	581	120	2.48	4.7	3.30	670	104	2.15	4.5	3.60	746	94	1.93	4.4	3.70	900	78	1.60	4.2			3.90	1036	67	1.39	4.0			4.20	443	158	3.25	3.6	1.10	GRX79 GRXF79	4P	5.5	18302	177.89	128	1.85	GR179 GRF179	6P	468	149	3.08	3.7	1.25	533	131	2.70	3.6	1.60	593	118	2.43	3.5	1.75	676	103	2.13	3.4	1.85	766	91	1.88	3.3	2.00			862	81	1.67	3.2	2.10			1014	69	1.42	3.1	2.20	567	123	2.54	1.4	0.95	GRX69 GRXF69	4P	7.5	13266	194.08	128	2.55	GR179 GRF179	4P	600	116	2.40	1.5	1.00	706	99	2.04	1.7	1.30	774	90	1.86	1.8	1.35	894	78	1.61	2.0	1.40	1029	68	1.40	2.0	1.50			11kW							11kW							2.5	38313	590	128	1.0	GR179R109 GRF179R109	4P	5.2	19232	186.93	114	0.90	GR169 GRF169	6P	3.0	31949	492	128	1.1	3.2	29222	450	128	1.3	3.6	26170	403	128	1.4	4.0	23637	364	128	1.5	4.4	21494	331	128	1.7	5.0	19026	293	128			1.9	5.5	17273	266	128			2.1	6.4	14871	229	128	2.5	7.3	12987	200	128	2.8	2.4	40326	621	128	0.9	GR179R99 GRF179R99	4P	6.3	15748	153.07	114	1.05	GR169 GRF169	6P	2.6	36559	563	128	1.0	3.0	31235	481	128	1.2			3.1	30975	477	128	1.2			3.6	26494	408	128	1.4	4.1	23117	356	128	1.6	4.9	19156	295	128	1.9	8.9	11163	163.31	61	1.10	GR149 GRF149	4P	6.6	15115	146.91	34	0.80	GR149 GRF149	6P	9.9	10042	146.91	63	1.20	12	8193	119.86	65	1.50	13	7472	109.31	66	1.65	15	6466	94.60	67	1.90	17			5706	83.47	68	2.10	20	4928	72.09	69	2.50	22	4579	66.99	69	2.70	24	4176	61.09	70	2.90	28	3614	52.87	70	3.40	10	9646	141.12	22	0.80	GR139 GRF139	4P	11	8762	128.18	45	0.85	13	7773	113.72	50	0.95	14	7054	103.20	52	1.05	16	6063	88.70	53	1.25																																											
452	150	6.41	2.4	2.10			498	137	5.82	2.4	2.20			574	118	5.05	2.3	2.50	661	103	4.39	2.3	2.60	221	316	6.52	16	3.55	GRX139 GRXF139	4P	5.0	18897	291			114	0.95	GR169R109 GRF169R109	4P	245	285	5.87			16	4.60	217	322	6.63	10	1.40	GRX109 GRXF109	4P	4.4	21754	335					114	0.80	GR169R99 GRF169R99	4P			257			272	5.61	9.2	1.60	277	252	5.19	9.0	2.70	310	226	4.65	8.7	3.00	343	204	4.20	8.5	3.90	249	281	5.79			7.7	1.45	GRX99 GRXF99					4P	5.9	16039	247	25			0.80	GR149R89 GRF149R89	4P	293	238	4.91	7.4	1.60	319	219	4.52	7.2	2.60	356	196	4.04	7.0	2.90	396	177	3.64	6.8	3.30	436	160	3.30	6.6	3.60			493	142	2.92	6.4	4.10			320	218			4.50	5.5	1.30	GRX89 GRXF89	4P			3.8	26532	194.08	128	1.25	GR179 GRF179	8P	381	183	3.78	5.3	1.60	414	169	3.48	5.1	2.30	466	150	3.09	5.0	2.60	522	134	2.76	4.9	2.90	581	120	2.48	4.7	3.30	670	104	2.15	4.5	3.60	746	94			1.93	4.4	3.70	900	78	1.60	4.2	3.90	1036	67	1.39	4.0	4.20			443	158	3.25	3.6	1.10			GRX79 GRXF79	4P	5.5	18302	177.89	128	1.85	GR179 GRF179	6P	468	149	3.08	3.7	1.25	533	131	2.70	3.6	1.60	593	118	2.43	3.5	1.75	676			103	2.13	3.4	1.85	766			91	1.88	3.3	2.00	862	81	1.67	3.2	2.10	1014			69	1.42	3.1	2.20	567			123	2.54	1.4	0.95	GRX69 GRXF69	4P	7.5	13266	194.08	128	2.55	GR179 GRF179	4P	600	116	2.40	1.5	1.00	706	99	2.04	1.7	1.30	774	90			1.86	1.8	1.35	894	78			1.61	2.0	1.40	1029	68	1.40	2.0	1.50	11kW							11kW							2.5	38313	590	128	1.0	GR179R109 GRF179R109	4P	5.2	19232	186.93	114	0.90	GR169 GRF169	6P	3.0	31949	492	128	1.1	3.2	29222	450	128	1.3	3.6	26170	403	128			1.4	4.0	23637	364	128			1.5	4.4	21494	331	128	1.7	5.0	19026	293	128	1.9	5.5	17273	266	128	2.1			6.4	14871	229	128	2.5			7.3	12987	200	128	2.8	2.4	40326	621	128	0.9			GR179R99 GRF179R99	4P	6.3	15748	153.07			114	1.05	GR169 GRF169	6P	2.6	36559	563	128	1.0	3.0	31235	481	128	1.2	3.1	30975	477	128	1.2	3.6			26494	408	128	1.4	4.1			23117	356	128	1.6	4.9	19156	295	128	1.9	8.9	11163	163.31	61	1.10	GR149 GRF149	4P	6.6	15115	146.91	34	0.80			GR149 GRF149	6P	9.9	10042	146.91	63	1.20	12	8193	119.86	65	1.50	13	7472	109.31	66	1.65	15	6466	94.60	67	1.90	17	5706	83.47	68	2.10	20	4928			72.09	69	2.50	22	4579	66.99	69	2.70	24	4176	61.09	70	2.90	28	3614	52.87	70	3.40	10	9646	141.12	22	0.80	GR139 GRF139	4P	11	8762	128.18	45	0.85	13	7773	113.72	50	0.95	14	7054	103.20	52	1.05	16	6063	88.70	53	1.25																		
498	137	5.82	2.4	2.20			574	118	5.05	2.3	2.50			661	103	4.39	2.3	2.60	221	316	6.52	16	3.55	GRX139 GRXF139	4P	5.0	18897	291			114	0.95	GR169R109 GRF169R109	4P	245	285	5.87			16	4.60	217	322	6.63	10	1.40	GRX109 GRXF109	4P	4.4	21754	335			114	0.80	GR169R99 GRF169R99					4P	257			272	5.61	9.2			1.60	277	252	5.19	9.0	2.70	310	226	4.65	8.7	3.00	343	204	4.20	8.5	3.90	249	281	5.79	7.7	1.45	GRX99 GRXF99			4P	5.9							16039	247	25	0.80			GR149R89 GRF149R89			4P	293	238	4.91	7.4	1.60	319	219	4.52	7.2	2.60	356	196	4.04	7.0	2.90	396	177	3.64	6.8	3.30	436	160	3.30	6.6			3.60	493	142	2.92	6.4	4.10	320	218	4.50			5.5	1.30	GRX89 GRXF89					4P	3.8	26532	194.08	128			1.25	GR179 GRF179	8P	381	183	3.78	5.3	1.60	414	169	3.48	5.1	2.30	466	150	3.09	5.0	2.60	522	134	2.76	4.9	2.90	581	120	2.48	4.7	3.30	670	104	2.15	4.5			3.60	746	94	1.93	4.4	3.70	900	78	1.60	4.2	3.90	1036	67			1.39	4.0	4.20	443	158	3.25	3.6			1.10	GRX79 GRXF79	4P	5.5	18302			177.89	128	1.85	GR179 GRF179	6P	468	149	3.08	3.7	1.25	533	131	2.70	3.6	1.60	593			118	2.43	3.5	1.75	676	103	2.13	3.4	1.85	766	91	1.88	3.3	2.00	862	81	1.67			3.2	2.10	1014	69	1.42			3.1	2.20	567	123			2.54	1.4	0.95	GRX69 GRXF69	4P			7.5	13266	194.08	128	2.55	GR179 GRF179	4P	600	116	2.40	1.5	1.00			706	99	2.04	1.7	1.30	774	90	1.86	1.8	1.35	894	78	1.61	2.0	1.40	1029	68	1.40	2.0			1.50	11kW							11kW							2.5	38313	590	128	1.0			GR179R109 GRF179R109	4P	5.2	19232	186.93	114	0.90	GR169 GRF169	6P	3.0	31949	492	128	1.1			3.2	29222	450	128	1.3	3.6	26170	403	128	1.4	4.0	23637	364	128	1.5	4.4	21494	331	128	1.7	5.0	19026	293			128	1.9	5.5	17273	266			128	2.1	6.4	14871	229	128	2.5	7.3	12987	200					128	2.8	2.4			40326	621			128	0.9	GR179R99 GRF179R99	4P	6.3	15748	153.07	114	1.05	GR169 GRF169	6P	2.6	36559	563	128	1.0			3.0	31235	481	128	1.2			3.1	30975	477	128	1.2	3.6	26494	408	128	1.4	4.1	23117	356	128			1.6	4.9	19156	295	128					1.9	8.9	11163	163.31	61	1.10	GR149 GRF149	4P	6.6	15115	146.91	34	0.80	GR149 GRF149	6P	9.9	10042	146.91	63	1.20	12	8193	119.86	65	1.50	13	7472			109.31	66	1.65	15	6466	94.60	67	1.90	17	5706	83.47	68	2.10	20	4928	72.09	69	2.50	22	4579	66.99	69	2.70			24	4176	61.09	70	2.90	28	3614	52.87	70	3.40	10	9646	141.12	22	0.80	GR139 GRF139	4P	11	8762	128.18	45	0.85	13	7773	113.72	50	0.95	14	7054	103.20	52	1.05	16	6063	88.70	53	1.25	
574	118	5.05	2.3	2.50			661	103	4.39	2.3	2.60			221	316	6.52	16	3.55	GRX139 GRXF139	4P	5.0	18897	291			114	0.95	GR169R109 GRF169R109	4P	245	285	5.87			16	4.60	217	322	6.63	10	1.40	GRX109 GRXF109	4P	4.4	21754	335			114	0.80	GR169R99 GRF169R99			4P	257							272			5.61	9.2	1.60	277	252	5.19	9.0	2.70	310	226	4.65	8.7	3.00	343	204	4.20	8.5	3.90	249	281	5.79	7.7	1.45	GRX99 GRXF99	4P	5.9					16039							247	25	0.80	GR149R89 GRF149R89							4P	293	238	4.91	7.4	1.60	319	219	4.52	7.2	2.60	356	196	4.04	7.0	2.90	396	177	3.64	6.8	3.30	436	160	3.30			6.6	3.60	493	142	2.92	6.4	4.10	320	218			4.50	5.5				1.30	GRX89 GRXF89		4P	3.8	26532	194.08			128			1.25	GR179 GRF179	8P	381	183	3.78	5.3	1.60	414	169	3.48	5.1	2.30	466	150	3.09	5.0	2.60	522	134	2.76	4.9	2.90	581	120	2.48	4.7	3.30	670			104	2.15	4.5	3.60	746	94	1.93	4.4	3.70	900	78	1.60	4.2			3.90	1036	67	1.39	4.0	4.20	443			158			3.25	3.6	1.10	GRX79 GRXF79	4P	5.5	18302			177.89	128	1.85	GR179 GRF179	6P	468	149	3.08	3.7	1.25	533			131	2.70	3.6	1.60	593	118	2.43	3.5	1.75	676	103	2.13	3.4	1.85	766	91	1.88			3.3	2.00	862	81	1.67	3.2	2.10	1014	69	1.42	3.1			2.20	567	123					2.54	1.4	0.95	GRX69 GRXF69	4P			7.5	13266	194.08	128	2.55			GR179 GRF179	4P	600	116	2.40	1.5	1.00	706	99	2.04	1.7	1.30	774	90	1.86	1.8	1.35	894	78			1.61	2.0	1.40	1029	68	1.40	2.0	1.50	11kW							11kW									2.5	38313	590	128	1.0			GR179R109 GRF179R109	4P	5.2	19232	186.93			114	0.90	GR169 GRF169	6P	3.0	31949	492	128	1.1	3.2	29222	450	128	1.3	3.6	26170	403	128	1.4	4.0	23637	364	128			1.5	4.4	21494	331	128	1.7	5.0	19026	293	128	1.9	5.5	17273	266	128	2.1	6.4					14871	229	128			2.5	7.3			12987	200			128	2.8	2.4	40326	621			128	0.9	GR179R99 GRF179R99	4P	6.3			15748	153.07	114	1.05	GR169 GRF169			6P	2.6	36559	563	128	1.0	3.0	31235	481	128	1.2	3.1	30975	477			128	1.2	3.6	26494	408					128	1.4	4.1	23117	356	128			1.6	4.9	19156	295	128			1.9	8.9	11163	163.31	61	1.10	GR149 GRF149	4P	6.6	15115	146.91	34			0.80	GR149 GRF149	6P	9.9	10042	146.91	63	1.20	12	8193	119.86	65	1.50	13	7472	109.31	66	1.65	15	6466	94.60	67	1.90			17	5706	83.47	68	2.10	20	4928	72.09	69	2.50	22	4579	66.99	69	2.70			24	4176	61.09	70	2.90	28	3614	52.87	70	3.40	10	9646	141.12	22	0.80	GR139 GRF139	4P	11	8762	128.18	45
661	103	4.39	2.3	2.60																																																																																																																																																																																																																																																																																																																																																																																																																																																																																																																																																																						
221	316	6.52	16	3.55	GRX139 GRXF139	4P	5.0	18897	291	114	0.95	GR169R109 GRF169R109	4P																																																																																																																																																																																																																																																																																																																																																																																																																																																																																																																																																													
245	285	5.87	16	4.60			217	322	6.63	10	1.40			GRX109 GRXF109	4P	4.4	21754	335	114	0.80	GR169R99 GRF169R99	4P	257	272	5.61	9.2	1.60	277	252	5.19	9.0	2.70	310	226	4.65	8.7	3.00	343	204	4.20	8.5			3.90	249	281			5.79	7.7	1.45	GRX99 GRXF99	4P	5.9	16039	247	25	0.80	GR149R89 GRF149R89	4P	293	238	4.91	7.4	1.60	319	219	4.52	7.2	2.60	356	196	4.04	7.0	2.90	396	177	3.64	6.8	3.30	436	160	3.30	6.6	3.60	493	142			2.92		6.4	4.10		320				218	4.50		5.5	1.30	GRX89 GRXF89		4P	3.8		26532	194.08			128	1.25	GR179 GRF179	8P	381	183	3.78	5.3	1.60	414	169	3.48	5.1	2.30	466	150	3.09	5.0	2.60	522	134	2.76	4.9			2.90	581	120	2.48	4.7	3.30	670	104	2.15			4.5	3.60				746				94	1.93	4.4	3.70	900	78	1.60	4.2	3.90	1036	67	1.39	4.0	4.20	443	158	3.25	3.6	1.10	GRX79 GRXF79	4P	5.5	18302	177.89	128	1.85	GR179 GRF179	6P	468	149	3.08	3.7	1.25	533	131	2.70	3.6			1.60	593	118	2.43	3.5	1.75	676	103	2.13	3.4	1.85	766	91			1.88	3.3	2.00	862	81	1.67	3.2			2.10			1014	69	1.42			3.1	2.20	567	123	2.54	1.4	0.95	GRX69 GRXF69	4P	7.5	13266	194.08	128	2.55	GR179 GRF179	4P	600	116	2.40	1.5	1.00	706	99	2.04	1.7	1.30	774	90	1.86	1.8	1.35	894	78	1.61	2.0	1.40	1029	68	1.40	2.0	1.50	11kW								11kW							2.5	38313	590			128	1.0	GR179R109 GRF179R109	4P	5.2	19232	186.93			114	0.90	GR169 GRF169	6P	3.0	31949	492	128	1.1	3.2	29222	450	128	1.3	3.6	26170	403	128	1.4			4.0	23637	364	128	1.5	4.4	21494	331	128	1.7	5.0	19026	293			128	1.9	5.5	17273	266	128	2.1			6.4	14871	229	128	2.5	7.3	12987			200	128	2.8			2.4	40326	621	128	0.9	GR179R99 GRF179R99	4P	6.3	15748	153.07	114	1.05	GR169 GRF169	6P	2.6	36559	563	128	1.0	3.0	31235	481	128			1.2	3.1	30975	477	128	1.2	3.6	26494	408	128	1.4	4.1	23117	356	128	1.6	4.9					19156	295	128	1.9	8.9	11163	163.31	61	1.10	GR149 GRF149	4P			6.6	15115	146.91	34	0.80	GR149 GRF149	6P	9.9	10042			146.91			63	1.20	12	8193	119.86	65	1.50	13	7472	109.31	66	1.65	15	6466	94.60	67	1.90	17	5706	83.47	68			2.10	20	4928	72.09	69	2.50	22			4579	66.99	69	2.70	24	4176			61.09	70	2.90	28	3614			52.87	70	3.40	10	9646	141.12			22	0.80	GR139 GRF139	4P	11	8762	128.18			45	0.85	13	7773	113.72	50	0.95	14	7054	103.20	52	1.05	16	6063	88.70	53	1.25																																											
217	322	6.63	10	1.40	GRX109 GRXF109	4P	4.4	21754	335	114	0.80	GR169R99 GRF169R99	4P																																																																																																																																																																																																																																																																																																																																																																																																																																																																																																																																																													
257	272	5.61	9.2	1.60			277	252	5.19	9.0	2.70					310	226	4.65	8.7	3.00			343	204	4.20	8.5	3.90	249	281	5.79	7.7	1.45	GRX99 GRXF99	4P	5.9	16039	247	25	0.80	GR149R89 GRF149R89	4P	293	238	4.91	7.4	1.60	319	219	4.52	7.2	2.60			356	196	4.04	7.0	2.90			396	177	3.64	6.8	3.30	436	160	3.30	6.6	3.60	493	142	2.92	6.4	4.10	320	218	4.50	5.5	1.30	GRX89 GRXF89	4P	3.8	26532	194.08	128	1.25			GR179 GRF179		8P	381		183	3.78	5.3	1.60	414	169	3.48	5.1	2.30		466		150	3.09	5.0	2.60	522	134	2.76	4.9			2.90	581	120	2.48	4.7	3.30	670	104	2.15	4.5	3.60	746	94	1.93	4.4	3.70	900	78	1.60			4.2	3.90	1036	67	1.39	4.0	4.20	443	158			3.25	3.6				1.10				GRX79 GRXF79	4P	5.5	18302	177.89	128	1.85	GR179 GRF179	6P	468	149	3.08	3.7	1.25	533	131	2.70	3.6	1.60			593	118	2.43	3.5	1.75	676	103	2.13	3.4	1.85	766	91	1.88	3.3	2.00	862	81	1.67	3.2	2.10	1014	69	1.42	3.1	2.20	567	123	2.54	1.4	0.95	GRX69 GRXF69			4P	7.5	13266	194.08	128	2.55	GR179 GRF179			4P			600	116	2.40			1.5	1.00	706	99	2.04	1.7	1.30			774	90	1.86	1.8	1.35			894	78	1.61	2.0	1.40	1029	68	1.40	2.0	1.50	11kW							11kW							2.5	38313	590	128	1.0	GR179R109 GRF179R109	4P	5.2	19232	186.93	114	0.90	GR169 GRF169	6P	3.0	31949	492	128	1.1			3.2	29222			450	128	1.3	3.6	26170	403	128			1.4	4.0	23637	364	128	1.5	4.4	21494	331	128	1.7	5.0	19026	293	128			1.9	5.5	17273	266	128	2.1	6.4	14871	229	128	2.5	7.3	12987			200	128	2.8	2.4	40326	621	128			0.9	GR179R99 GRF179R99	4P	6.3	15748	153.07	114			1.05	GR169 GRF169	6P	2.6	36559	563	128	1.0	3.0	31235			481	128	1.2	3.1	30975			477	128	1.2	3.6	26494	408	128	1.4	4.1			23117	356	128	1.6	4.9	19156	295	128	1.9	8.9	11163	163.31	61	1.10	GR149 GRF149	4P	6.6					15115	146.91	34	0.80	GR149 GRF149	6P	9.9	10042	146.91					63	1.20	12	8193	119.86			65	1.50			13			7472	109.31	66	1.65	15	6466	94.60	67	1.90	17	5706	83.47	68	2.10	20	4928	72.09	69	2.50	22	4579			66.99	69	2.70	24	4176	61.09	70	2.90	28	3614	52.87	70	3.40	10	9646			141.12	22	0.80	GR139 GRF139	4P	11	8762	128.18	45	0.85	13	7773	113.72			50	0.95			14	7054	103.20			52	1.05	16	6063	88.70	53	1.25																																																					
277	252	5.19	9.0	2.70			310	226	4.65	8.7	3.00					343	204	4.20	8.5	3.90	249	281	5.79	7.7	1.45	GRX99 GRXF99	4P	5.9	16039	247	25	0.80			GR149R89 GRF149R89	4P	293	238	4.91			7.4	1.60	319	219	4.52	7.2	2.60	356	196	4.04			7.0	2.90	396	177	3.64			6.8	3.30	436	160	3.30	6.6	3.60	493	142	2.92	6.4	4.10	320	218	4.50	5.5	1.30	GRX89 GRXF89	4P	3.8			26532	194.08	128	1.25	GR179 GRF179				8P		381	183	3.78	5.3	1.60	414	169	3.48	5.1	2.30	466		150		3.09	5.0	2.60	522	134	2.76	4.9	2.90	581	120	2.48	4.7	3.30	670	104	2.15	4.5	3.60	746	94	1.93	4.4	3.70	900	78	1.60	4.2	3.90	1036			67	1.39	4.0	4.20	443	158	3.25	3.6	1.10			GRX79 GRXF79	4P				5.5						18302	177.89	128	1.85	GR179 GRF179			6P	468	149	3.08	3.7	1.25	533	131	2.70	3.6			1.60	593	118	2.43	3.5	1.75	676	103	2.13	3.4	1.85	766	91	1.88	3.3	2.00	862	81	1.67	3.2	2.10	1014	69	1.42	3.1	2.20	567	123	2.54	1.4		0.95	GRX69 GRXF69		4P	7.5	13266	194.08	128							2.55	GR179 GRF179	4P			600	116	2.40	1.5	1.00	706	99			2.04	1.7	1.30	774	90	1.86	1.8	1.35	894	78	1.61	2.0	1.40	1029	68	1.40	2.0	1.50	11kW							11kW							2.5	38313	590	128			1.0	GR179R109 GRF179R109	4P	5.2	19232			186.93	114	0.90	GR169 GRF169	6P	3.0	31949	492	128			1.1	3.2	29222	450	128	1.3	3.6	26170	403	128	1.4	4.0	23637	364	128	1.5	4.4	21494	331	128	1.7	5.0	19026	293	128	1.9	5.5	17273	266	128	2.1	6.4	14871	229	128	2.5	7.3	12987	200			128	2.8	2.4	40326	621	128	0.9			GR179R99 GRF179R99			4P	6.3	15748	153.07			114			1.05	GR169 GRF169	6P	2.6	36559	563	128			1.0	3.0	31235	481	128	1.2	3.1	30975	477	128	1.2	3.6	26494	408	128	1.4	4.1	23117	356	128	1.6	4.9	19156	295	128	1.9	8.9	11163	163.31	61	1.10	GR149 GRF149			4P					6.6	15115	146.91	34			0.80	GR149 GRF149	6P					9.9	10042	146.91	63	1.20			12	8193			119.86			65	1.50	13	7472	109.31	66	1.65	15	6466	94.60	67	1.90	17	5706	83.47	68	2.10	20	4928	72.09	69			2.50	22	4579	66.99	69	2.70	24	4176	61.09	70	2.90	28	3614	52.87	70			3.40	10	9646			141.12	22	0.80	GR139 GRF139	4P	11	8762	128.18			45	0.85			13	7773	113.72	50	0.95	14	7054	103.20	52	1.05	16	6063	88.70	53	1.25																																																		
310	226	4.65	8.7	3.00			343	204	4.20	8.5	3.90	249	281			5.79	7.7	1.45	GRX99 GRXF99	4P	5.9	16039	247	25	0.80			GR149R89 GRF149R89	4P	293	238	4.91					7.4	1.60	319			219	4.52	7.2	2.60	356	196	4.04	7.0	2.90	396			177	3.64	6.8	3.30	436			160	3.30	6.6	3.60	493	142	2.92	6.4	4.10	320	218	4.50	5.5	1.30	GRX89 GRXF89	4P	3.8			26532			194.08	128	1.25	GR179 GRF179		8P	381				183	3.78	5.3	1.60	414	169	3.48	5.1	2.30	466	150		3.09		5.0	2.60	522	134	2.76	4.9	2.90	581	120	2.48	4.7	3.30	670	104	2.15	4.5	3.60	746	94	1.93	4.4	3.70	900	78	1.60	4.2	3.90	1036	67	1.39	4.0	4.20	443	158	3.25	3.6	1.10	GRX79 GRXF79	4P	5.5								18302						177.89	128	1.85	GR179 GRF179		6P	468		149	3.08	3.7	1.25	533	131	2.70	3.6	1.60			593	118	2.43	3.5	1.75	676	103	2.13	3.4	1.85	766	91	1.88	3.3	2.00	862	81	1.67	3.2	2.10	1014	69	1.42	3.1	2.20	567	123	2.54	1.4	0.95		GRX69 GRXF69				4P	7.5	13266	194.08		128	2.55				GR179 GRF179					4P	600	116	2.40	1.5	1.00	706			99	2.04	1.7	1.30	774	90	1.86	1.8	1.35	894	78	1.61	2.0	1.40	1029	68	1.40	2.0	1.50	11kW							11kW							2.5	38313	590			128			1.0	GR179R109 GRF179R109			4P	5.2	19232			186.93	114	0.90	GR169 GRF169			6P	3.0	31949	492	128	1.1	3.2	29222	450	128	1.3	3.6	26170	403	128	1.4	4.0	23637	364	128	1.5	4.4	21494	331	128	1.7	5.0	19026	293	128	1.9	5.5	17273	266	128	2.1	6.4	14871	229	128	2.5	7.3	12987	200	128	2.8	2.4	40326							621	128	0.9			GR179R99 GRF179R99			4P			6.3	15748	153.07	114			1.05	GR169 GRF169	6P	2.6	36559	563	128	1.0	3.0	31235	481	128	1.2	3.1	30975	477	128	1.2	3.6	26494	408	128	1.4	4.1	23117	356	128	1.6	4.9	19156	295					128	1.9	8.9	11163	163.31	61	1.10	GR149 GRF149			4P							6.6	15115	146.91	34	0.80			GR149 GRF149	6P			9.9			10042	146.91	63	1.20	12	8193	119.86	65	1.50	13	7472	109.31	66	1.65	15	6466	94.60	67	1.90	17	5706			83.47	68	2.10	20	4928	72.09	69	2.50	22	4579	66.99	69	2.70	24	4176			61.09	70	2.90			28	3614	52.87			70	3.40	10			9646	141.12			22	0.80	GR139 GRF139	4P	11	8762	128.18	45	0.85	13	7773	113.72	50	0.95	14	7054	103.20	52	1.05	16	6063	88.70	53	1.25																																									
343	204	4.20	8.5	3.90																																																																																																																																																																																																																																																																																																																																																																																																																																																																																																																																																																						
249	281	5.79	7.7	1.45	GRX99 GRXF99	4P	5.9	16039	247	25	0.80	GR149R89 GRF149R89	4P																																																																																																																																																																																																																																																																																																																																																																																																																																																																																																																																																													
293	238	4.91	7.4	1.60			319	219	4.52	7.2	2.60			356	196	4.04	7.0	2.90			396	177	3.64	6.8	3.30					436	160	3.30					6.6	3.60	493	142	2.92	6.4	4.10	320	218	4.50	5.5	1.30	GRX89 GRXF89	4P	3.8	26532	194.08	128	1.25	GR179 GRF179	8P	381	183	3.78	5.3	1.60	414	169	3.48	5.1	2.30	466	150	3.09	5.0	2.60	522	134			2.76			4.9			2.90	581	120	2.48	4.7	3.30	670	104	2.15	4.5	3.60	746	94	1.93	4.4	3.70	900	78	1.60	4.2	3.90		1036		67	1.39	4.0	4.20	443	158	3.25	3.6	1.10	GRX79 GRXF79	4P	5.5	18302	177.89	128	1.85	GR179 GRF179	6P	468	149	3.08	3.7	1.25	533	131	2.70	3.6	1.60	593	118	2.43	3.5	1.75	676	103	2.13	3.4			1.85	766	91			1.88	3.3	2.00	862		81				1.67	3.2	2.10	1014	69	1.42	3.1	2.20	567	123	2.54	1.4	0.95	GRX69 GRXF69	4P	7.5	13266			194.08	128	2.55	GR179 GRF179	4P	600	116	2.40	1.5	1.00	706	99	2.04	1.7	1.30	774	90	1.86	1.8	1.35	894	78	1.61	2.0	1.40	1029	68	1.40	2.0	1.50							11kW							11kW							2.5	38313	590	128	1.0	GR179R109 GRF179R109	4P	5.2	19232	186.93	114	0.90	GR169 GRF169	6P	3.0	31949	492	128	1.1	3.2	29222	450	128	1.3	3.6	26170	403	128	1.4	4.0	23637	364	128	1.5	4.4	21494	331	128	1.7	5.0	19026	293	128	1.9	5.5			17273			266		128	2.1		6.4	14871	229	128	2.5	7.3	12987	200			128	2.8	2.4	40326	621	128	0.9	GR179R99 GRF179R99	4P	6.3	15748	153.07	114	1.05	GR169 GRF169	6P	2.6	36559	563	128	1.0	3.0	31235	481	128	1.2	3.1	30975	477	128	1.2	3.6	26494	408	128	1.4	4.1	23117	356	128	1.6	4.9	19156	295	128	1.9	8.9	11163	163.31	61					1.10	GR149 GRF149	4P	6.6	15115		146.91	34		0.80	GR149 GRF149	6P	9.9	10042	146.91			63	1.20	12	8193	119.86	65	1.50	13	7472	109.31	66	1.65	15	6466	94.60	67	1.90	17	5706	83.47	68	2.10	20	4928	72.09	69	2.50	22	4579	66.99	69					2.70	24	4176	61.09	70	2.90	28									3614	52.87	70	3.40	10	9646	141.12	22	0.80			GR139 GRF139	4P	11	8762	128.18	45	0.85	13	7773	113.72	50	0.95	14	7054	103.20	52	1.05	16	6063	88.70	53	1.25																																																																																																											
319	219	4.52	7.2	2.60			356	196	4.04	7.0	2.90			396	177	3.64	6.8	3.30			436	160	3.30	6.6	3.60					493	142	2.92			6.4	4.10	320	218	4.50	5.5	1.30	GRX89 GRXF89	4P	3.8	26532	194.08	128	1.25			GR179 GRF179	8P	381	183	3.78			5.3	1.60	414	169	3.48	5.1	2.30	466	150	3.09	5.0	2.60	522	134	2.76	4.9	2.90			581			120			2.48	4.7	3.30	670	104	2.15	4.5	3.60	746	94	1.93	4.4	3.70	900	78	1.60	4.2	3.90	1036	67	1.39		4.0		4.20	443	158	3.25	3.6	1.10	GRX79 GRXF79	4P	5.5			18302	177.89	128	1.85	GR179 GRF179			6P	468	149	3.08	3.7	1.25	533	131	2.70	3.6	1.60	593	118	2.43	3.5	1.75	676	103	2.13			3.4	1.85	766			91	1.88	3.3	2.00	862	81	1.67			3.2	2.10	1014	69	1.42	3.1	2.20	567	123	2.54	1.4	0.95	GRX69 GRXF69			4P	7.5			13266	194.08	128			2.55	GR179 GRF179	4P	600	116	2.40	1.5	1.00	706	99	2.04	1.7	1.30	774	90	1.86	1.8	1.35	894	78	1.61	2.0	1.40	1029	68	1.40			2.0			1.50	11kW							11kW							2.5	38313	590	128			1.0	GR179R109 GRF179R109	4P	5.2	19232			186.93	114	0.90	GR169 GRF169	6P	3.0	31949	492	128	1.1	3.2	29222	450	128	1.3	3.6	26170	403	128	1.4	4.0	23637	364	128	1.5	4.4	21494	331	128	1.7	5.0			19026			293		128	1.9		5.5	17273	266	128	2.1	6.4	14871	229			128	2.5	7.3	12987	200	128	2.8			2.4	40326	621	128	0.9			GR179R99 GRF179R99	4P	6.3	15748	153.07	114	1.05	GR169 GRF169	6P	2.6	36559	563	128	1.0	3.0	31235	481	128	1.2	3.1	30975	477	128	1.2	3.6	26494	408	128	1.4	4.1	23117	356	128	1.6					4.9			19156	295		128	1.9		8.9			11163	163.31	61			1.10	GR149 GRF149	4P	6.6	15115	146.91	34	0.80	GR149 GRF149	6P	9.9	10042	146.91	63	1.20	12	8193	119.86	65	1.50	13	7472	109.31	66	1.65	15	6466	94.60	67	1.90	17					5706	83.47	68	2.10	20	4928	72.09		69	2.50						22	4579	66.99	69	2.70	24	4176	61.09	70					2.90	28	3614	52.87	70	3.40	10	9646	141.12	22	0.80	GR139 GRF139	4P	11	8762	128.18	45	0.85	13	7773	113.72	50	0.95	14	7054	103.20	52	1.05	16	6063	88.70	53	1.25																																																																																														
356	196	4.04	7.0	2.90			396	177	3.64	6.8	3.30			436	160	3.30	6.6	3.60			493	142	2.92	6.4	4.10			320	218	4.50	5.5	1.30	GRX89 GRXF89	4P	3.8	26532	194.08	128	1.25	GR179 GRF179	8P			381	183	3.78	5.3	1.60					414	169	3.48			5.1	2.30	466	150	3.09	5.0	2.60	522	134	2.76	4.9	2.90	581	120	2.48	4.7	3.30			670			104			2.15	4.5	3.60	746	94	1.93	4.4	3.70	900	78	1.60	4.2	3.90	1036	67	1.39	4.0	4.20	443	158	3.25		3.6		1.10	GRX79 GRXF79	4P	5.5	18302	177.89			128			1.85	GR179 GRF179	6P	468		149	3.08		3.7	1.25	533	131	2.70	3.6	1.60	593	118	2.43	3.5	1.75	676	103	2.13	3.4	1.85	766			91	1.88	3.3			2.00	862	81	1.67	3.2	2.10	1014			69	1.42	3.1	2.20	567	123	2.54	1.4	0.95	GRX69 GRXF69	4P	7.5					13266	194.08	128	2.55	GR179 GRF179	4P			600			116	2.40	1.5	1.00	706	99	2.04	1.7	1.30	774	90	1.86	1.8	1.35	894	78	1.61	2.0	1.40	1029	68	1.40	2.0		1.50	11kW							11kW							2.5	38313	590	128	1.0	GR179R109 GRF179R109	4P	5.2			19232			186.93	114			0.90	GR169 GRF169	6P			3.0	31949	492	128	1.1	3.2	29222	450	128	1.3	3.6	26170	403	128	1.4	4.0	23637	364	128	1.5	4.4	21494	331	128	1.7	5.0			19026			293		128	1.9		5.5	17273	266	128	2.1	6.4	14871	229	128	2.5	7.3	12987	200	128	2.8	2.4	40326			621	128	0.9	GR179R99 GRF179R99	4P					6.3	15748	153.07	114	1.05			GR169 GRF169	6P	2.6	36559	563	128	1.0	3.0	31235	481	128	1.2	3.1	30975	477	128	1.2	3.6	26494	408	128	1.4	4.1	23117	356					128			1.6	4.9		19156	295		128			1.9	8.9	11163	163.31	61	1.10			GR149 GRF149	4P	6.6	15115	146.91			34	0.80	GR149 GRF149	6P	9.9	10042	146.91	63	1.20	12	8193	119.86	65	1.50	13	7472	109.31	66	1.65	15	6466					94.60	67	1.90	17	5706	83.47	68		2.10	20		4928	72.09			69	2.50	22	4579	66.99	69	2.70	24	4176					61.09	70	2.90	28	3614	52.87	70	3.40	10	9646	141.12			22	0.80	GR139 GRF139	4P	11	8762	128.18	45	0.85	13	7773	113.72	50	0.95	14	7054	103.20	52	1.05	16	6063	88.70	53	1.25																																																																																										
396	177	3.64	6.8	3.30																																																																																																																																																																																																																																																																																																																																																																																																																																																																																																																																																																						
436	160	3.30	6.6	3.60			493	142	2.92	6.4	4.10	320	218	4.50	5.5	1.30	GRX89 GRXF89	4P	3.8	26532	194.08	128	1.25	GR179 GRF179	8P	381	183	3.78	5.3	1.60	414	169			3.48	5.1	2.30	466	150					3.09	5.0	2.60	522	134			2.76	4.9	2.90	581	120	2.48	4.7	3.30	670	104	2.15	4.5	3.60	746	94	1.93	4.4	3.70	900	78	1.60	4.2	3.90	1036			67			1.39			4.0	4.20	443	158	3.25	3.6	1.10	GRX79 GRXF79	4P	5.5	18302	177.89	128	1.85	GR179 GRF179	6P	468	149	3.08	3.7	1.25	533	131	2.70	3.6			1.60	593	118			2.43			3.5	1.75	676	103	2.13	3.4	1.85	766	91	1.88	3.3	2.00	862	81	1.67	3.2	2.10	1014	69	1.42	3.1	2.20	567	123	2.54	1.4			0.95	GRX69 GRXF69	4P			7.5	13266	194.08	128	2.55	GR179 GRF179	4P	600	116	2.40	1.5	1.00	706	99	2.04	1.7	1.30	774			90					1.86	1.8	1.35	894			78	1.61	2.0	1.40	1029	68	1.40	2.0	1.50	11kW							11kW							2.5	38313	590	128	1.0	GR179R109 GRF179R109	4P	5.2	19232	186.93	114	0.90	GR169 GRF169	6P	3.0	31949	492	128	1.1	3.2	29222	450	128	1.3	3.6	26170			403			128			1.4	4.0	23637	364	128			1.5	4.4	21494	331	128	1.7	5.0	19026	293	128	1.9	5.5	17273	266	128	2.1	6.4	14871	229	128	2.5	7.3	12987	200	128	2.8	2.4	40326	621	128	0.9			GR179R99 GRF179R99		4P	6.3		15748	153.07	114	1.05	GR169 GRF169	6P	2.6	36559	563	128	1.0	3.0	31235	481	128	1.2	3.1			30975	477	128			1.2	3.6			26494	408	128	1.4	4.1	23117	356			128	1.6	4.9	19156	295	128	1.9	8.9	11163	163.31	61	1.10	GR149 GRF149	4P	6.6	15115	146.91	34	0.80	GR149 GRF149	6P	9.9	10042		146.91	63		1.20			12	8193		119.86	65		1.50			13	7472	109.31	66	1.65	15					6466	94.60	67			1.90	17			5706	83.47	68	2.10	20	4928	72.09	69	2.50	22	4579	66.99	69	2.70	24	4176	61.09					70	2.90	28	3614	52.87	70	3.40		10	9646		141.12	22	0.80	GR139 GRF139	4P	11	8762	128.18	45	0.85	13	7773	113.72	50	0.95			14	7054	103.20	52	1.05	16	6063	88.70	53	1.25																																																																																																																					
493	142	2.92	6.4	4.10																																																																																																																																																																																																																																																																																																																																																																																																																																																																																																																																																																						
320	218	4.50	5.5	1.30	GRX89 GRXF89	4P	3.8	26532	194.08	128	1.25	GR179 GRF179	8P																																																																																																																																																																																																																																																																																																																																																																																																																																																																																																																																																													
381	183	3.78	5.3	1.60			414	169	3.48	5.1	2.30			466	150	3.09			5.0	2.60	522	134	2.76	4.9	2.90	581	120	2.48	4.7	3.30	670	104			2.15	4.5	3.60	746	94	1.93	4.4			3.70	900	78	1.60	4.2			3.90	1036	67	1.39	4.0	4.20	443	158	3.25	3.6	1.10	GRX79 GRXF79	4P	5.5	18302	177.89	128	1.85	GR179 GRF179	6P	468	149	3.08	3.7			1.25	533	131	2.70	3.6	1.60	593	118	2.43	3.5	1.75	676	103			2.13	3.4	1.85	766	91	1.88	3.3	2.00	862	81	1.67	3.2	2.10	1014	69	1.42			3.1	2.20	567			123			2.54	1.4	0.95	GRX69 GRXF69	4P	7.5	13266	194.08	128	2.55	GR179 GRF179	4P	600	116	2.40	1.5	1.00	706	99	2.04	1.7	1.30	774	90	1.86	1.8	1.35	894	78			1.61	2.0	1.40	1029	68	1.40	2.0	1.50	11kW							11kW							2.5	38313	590	128	1.0	GR179R109 GRF179R109	4P	5.2	19232	186.93	114	0.90	GR169 GRF169	6P	3.0	31949	492	128	1.1	3.2	29222	450	128	1.3	3.6	26170	403	128	1.4	4.0	23637	364	128	1.5	4.4	21494	331	128	1.7			5.0	19026	293	128	1.9	5.5	17273	266	128	2.1	6.4	14871	229	128	2.5	7.3	12987	200	128			2.8			2.4			40326	621	128	0.9	GR179R99 GRF179R99	4P	6.3	15748	153.07	114	1.05	GR169 GRF169	6P	2.6	36559	563	128	1.0	3.0	31235	481	128	1.2	3.1	30975	477	128	1.2	3.6	26494	408	128	1.4	4.1	23117	356	128	1.6	4.9	19156		295		128	1.9	8.9	11163	163.31	61	1.10	GR149 GRF149	4P	6.6	15115	146.91	34	0.80	GR149 GRF149	6P	9.9	10042	146.91			63	1.20	12			8193	119.86			65	1.50	13	7472	109.31	66	1.65	15	6466	94.60	67	1.90	17	5706	83.47	68	2.10	20	4928	72.09	69			2.50	22	4579	66.99	69			2.70	24	4176	61.09	70	2.90	28			3614	52.87	70	3.40	10	9646	141.12	22	0.80	GR139 GRF139	4P	11	8762	128.18	45					0.85	13	7773	113.72	50	0.95	14			7054	103.20	52	1.05	16	6063	88.70	53	1.25																																																																																																																																																																							
414	169	3.48	5.1	2.30			466	150	3.09	5.0	2.60			522	134	2.76			4.9	2.90	581	120	2.48	4.7	3.30	670	104	2.15	4.5	3.60	746	94			1.93	4.4	3.70	900	78	1.60	4.2			3.90	1036	67	1.39	4.0			4.20	443	158	3.25	3.6	1.10	GRX79 GRXF79	4P	5.5	18302	177.89			128	1.85	GR179 GRF179	6P	468			149	3.08	3.7	1.25	533	131	2.70	3.6	1.60	593	118	2.43	3.5	1.75	676	103	2.13	3.4	1.85			766	91	1.88	3.3	2.00	862	81	1.67	3.2	2.10	1014	69	1.42	3.1	2.20	567			123	2.54	1.4			0.95			GRX69 GRXF69	4P	7.5			13266	194.08	128	2.55	GR179 GRF179			4P	600	116	2.40	1.5	1.00	706	99	2.04	1.7	1.30	774	90	1.86	1.8	1.35	894			78	1.61	2.0	1.40	1029	68	1.40	2.0	1.50	11kW							11kW							2.5	38313	590	128			1.0	GR179R109 GRF179R109	4P	5.2	19232			186.93	114	0.90	GR169 GRF169	6P	3.0	31949	492	128	1.1	3.2	29222	450	128	1.3	3.6	26170	403	128	1.4	4.0	23637	364	128	1.5			4.4	21494	331	128	1.7	5.0	19026	293	128	1.9	5.5	17273	266	128	2.1	6.4	14871	229	128			2.5			7.3			12987	200	128	2.8			2.4	40326	621	128	0.9			GR179R99 GRF179R99	4P	6.3	15748	153.07	114	1.05	GR169 GRF169	6P	2.6	36559	563	128	1.0	3.0	31235	481	128	1.2	3.1	30975	477	128	1.2	3.6	26494	408		128		1.4	4.1	23117	356	128	1.6	4.9			19156	295	128	1.9	8.9			11163	163.31	61			1.10	GR149 GRF149	4P			6.6	15115			146.91	34	0.80	GR149 GRF149	6P	9.9	10042	146.91	63	1.20	12	8193	119.86	65	1.50	13	7472	109.31	66	1.65	15			6466	94.60	67	1.90	17			5706	83.47	68	2.10	20	4928	72.09			69	2.50	22	4579	66.99	69	2.70	24	4176			61.09	70	2.90	28					3614	52.87	70	3.40	10	9646	141.12	22	0.80	GR139 GRF139	4P	11	8762	128.18	45	0.85	13	7773	113.72	50	0.95	14	7054	103.20	52	1.05	16	6063	88.70	53	1.25																																																																																																																																																										
466	150	3.09	5.0	2.60			522	134	2.76	4.9	2.90	581	120	2.48	4.7	3.30			670	104	2.15	4.5	3.60	746	94	1.93	4.4	3.70	900	78	1.60	4.2			3.90	1036	67	1.39	4.0	4.20	443			158	3.25	3.6	1.10	GRX79 GRXF79			4P	5.5	18302	177.89	128	1.85			GR179 GRF179	6P	468			149	3.08			3.7	1.25	533	131	2.70	3.6	1.60	593	118	2.43	3.5	1.75	676	103	2.13	3.4	1.85	766	91	1.88	3.3	2.00			862	81	1.67	3.2	2.10	1014	69	1.42	3.1	2.20	567	123	2.54	1.4	0.95	GRX69 GRXF69			4P	7.5	13266			194.08	128	2.55			GR179 GRF179			4P	600	116	2.40					1.5	1.00	706	99	2.04	1.7	1.30	774	90	1.86	1.8	1.35	894	78	1.61	2.0			1.40	1029	68	1.40	2.0	1.50	11kW							11kW							2.5	38313	590	128	1.0	GR179R109 GRF179R109	4P			5.2			19232	186.93			114	0.90	GR169 GRF169			6P	3.0	31949	492	128	1.1	3.2	29222	450	128	1.3	3.6	26170	403	128	1.4	4.0	23637	364	128			1.5	4.4	21494	331	128	1.7	5.0	19026	293	128	1.9	5.5	17273	266	128	2.1	6.4	14871	229			128	2.5	7.3	12987			200	128	2.8	2.4			40326	621	128	0.9	GR179R99 GRF179R99					4P	6.3	15748	153.07	114			1.05	GR169 GRF169	6P	2.6	36559	563	128	1.0	3.0	31235	481	128	1.2	3.1	30975	477	128	1.2		3.6		26494	408	128	1.4	4.1	23117	356			128	1.6	4.9	19156	295			128	1.9	8.9	11163	163.31	61					1.10	GR149 GRF149			4P	6.6	15115			146.91	34	0.80	GR149 GRF149	6P	9.9	10042	146.91	63	1.20	12	8193	119.86	65	1.50	13			7472	109.31	66	1.65	15			6466	94.60	67	1.90	17	5706	83.47			68	2.10	20	4928	72.09	69	2.50	22	4579			66.99	69	2.70	24					4176	61.09	70	2.90	28	3614	52.87	70	3.40			10	9646	141.12	22	0.80	GR139 GRF139	4P	11	8762	128.18	45	0.85	13	7773	113.72	50	0.95	14	7054	103.20	52	1.05	16	6063	88.70	53	1.25																																																																																																																																																			
522	134	2.76	4.9	2.90			581	120	2.48	4.7	3.30	670	104	2.15	4.5	3.60			746	94	1.93	4.4	3.70	900	78	1.60	4.2	3.90	1036	67	1.39	4.0			4.20	443	158	3.25	3.6	1.10	GRX79 GRXF79			4P	5.5	18302	177.89					128	1.85	GR179 GRF179	6P	468					149			3.08	3.7	1.25	533	131	2.70	3.6	1.60	593	118	2.43	3.5	1.75	676	103	2.13	3.4	1.85	766	91	1.88	3.3	2.00	862	81	1.67			3.2	2.10	1014	69	1.42	3.1	2.20	567	123	2.54	1.4	0.95	GRX69 GRXF69	4P	7.5					13266	194.08	128	2.55	GR179 GRF179	4P	600							116	2.40	1.5		1.00	706		99	2.04	1.7	1.30	774	90	1.86	1.8	1.35	894	78	1.61	2.0	1.40	1029	68	1.40	2.0	1.50	11kW							11kW							2.5	38313	590	128	1.0	GR179R109 GRF179R109	4P	5.2	19232	186.93					114			0.90	GR169 GRF169	6P	3.0	31949	492					128	1.1	3.2	29222	450	128	1.3	3.6	26170	403	128	1.4	4.0	23637	364	128	1.5	4.4	21494			331	128	1.7	5.0	19026	293	128	1.9	5.5	17273	266	128	2.1	6.4	14871	229	128	2.5	7.3			12987	200	128	2.8	2.4	40326	621	128	0.9	GR179R99 GRF179R99			4P	6.3	15748	153.07		114	1.05				GR169 GRF169	6P	2.6	36559			563			128	1.0	3.0	31235	481	128	1.2	3.1	30975	477	128	1.2	3.6	26494	408		128		1.4	4.1	23117	356	128	1.6	4.9			19156	295	128	1.9	8.9			11163	163.31	61	1.10	GR149 GRF149	4P					6.6		15115	146.91		34	0.80			GR149 GRF149	6P	9.9			10042	146.91	63	1.20	12	8193	119.86	65	1.50	13	7472			109.31	66	1.65	15	6466	94.60	67	1.90	17	5706	83.47	68	2.10	20			4928	72.09	69	2.50	22	4579	66.99	69	2.70			24	4176	61.09	70					2.90	28	3614	52.87	70	3.40	10	9646	141.12			22	0.80	GR139 GRF139	4P	11			8762	128.18	45	0.85	13	7773	113.72	50	0.95	14	7054	103.20	52	1.05	16	6063	88.70	53	1.25																																																																																																																																																				
581	120	2.48	4.7	3.30			670	104	2.15	4.5	3.60	746	94	1.93	4.4	3.70			900	78	1.60	4.2	3.90	1036	67	1.39	4.0	4.20	443	158	3.25	3.6			1.10	GRX79 GRXF79	4P	5.5	18302	177.89					128	1.85	GR179 GRF179		6P	468		149	3.08			3.7			1.25	533	131			2.70	3.6	1.60	593	118	2.43	3.5	1.75	676	103	2.13	3.4	1.85	766	91	1.88	3.3	2.00	862	81	1.67	3.2	2.10	1014	69	1.42			3.1	2.20	567	123	2.54	1.4	0.95	GRX69 GRXF69	4P	7.5	13266	194.08			128		2.55	GR179 GRF179		4P	600	116	2.40			1.5							1.00	706	99	2.04	1.7	1.30	774	90	1.86	1.8	1.35	894	78	1.61	2.0	1.40	1029	68	1.40	2.0	1.50	11kW							11kW							2.5	38313	590	128	1.0	GR179R109 GRF179R109	4P	5.2	19232	186.93			114	0.90	GR169 GRF169					6P			3.0			31949	492	128		1.1	3.2		29222	450	128	1.3	3.6	26170	403	128	1.4	4.0	23637	364	128	1.5	4.4	21494	331	128	1.7			5.0	19026	293	128	1.9	5.5	17273	266	128	2.1	6.4	14871	229	128	2.5	7.3	12987	200	128	2.8	2.4	40326	621	128	0.9	GR179R99 GRF179R99	4P	6.3	15748	153.07					114	1.05	GR169 GRF169		6P	2.6						36559	563	128	1.0	3.0			31235	481	128	1.2	3.1	30975	477	128	1.2	3.6	26494	408	128	1.4	4.1		23117		356	128	1.6	4.9	19156	295	128			1.9	8.9	11163	163.31	61			1.10	GR149 GRF149	4P	6.6					15115	146.91	34		0.80	GR149 GRF149		6P	9.9					10042			146.91	63	1.20	12	8193	119.86	65	1.50	13	7472	109.31			66	1.65	15	6466	94.60	67	1.90	17	5706	83.47	68	2.10	20	4928	72.09	69	2.50	22	4579	66.99	69	2.70	24	4176	61.09			70	2.90	28	3614					52.87	70	3.40	10	9646	141.12	22	0.80	GR139 GRF139			4P	11			8762			128.18	45	0.85	13	7773	113.72	50	0.95	14	7054	103.20	52	1.05	16	6063	88.70	53	1.25																																																																																																																																																					
670	104	2.15	4.5	3.60			746	94	1.93	4.4	3.70	900	78	1.60	4.2	3.90			1036	67	1.39	4.0	4.20	443	158	3.25	3.6	1.10	GRX79 GRXF79	4P	5.5	18302			177.89			128	1.85	GR179 GRF179		6P	468		149	3.08				3.7		1.25	533	131	2.70	3.6			1.60	593	118			2.43	3.5	1.75	676	103	2.13	3.4	1.85	766	91	1.88	3.3	2.00	862	81	1.67	3.2	2.10	1014	69	1.42	3.1	2.20	567	123	2.54			1.4	0.95	GRX69 GRXF69	4P	7.5	13266	194.08			128	2.55	GR179 GRF179			4P		600				116	2.40	1.5			1.00			706			99	2.04	1.7	1.30	774	90	1.86	1.8	1.35	894	78	1.61	2.0	1.40	1029	68	1.40	2.0	1.50	11kW							11kW							2.5	38313	590	128	1.0	GR179R109 GRF179R109	4P	5.2			19232	186.93	114			0.90	GR169 GRF169									6P			3.0	31949	492	128	1.1	3.2	29222	450	128	1.3	3.6	26170	403	128	1.4	4.0	23637	364	128	1.5	4.4	21494	331	128	1.7	5.0			19026	293	128	1.9	5.5	17273	266	128	2.1	6.4	14871	229	128	2.5	7.3	12987	200	128	2.8	2.4	40326	621	128	0.9	GR179R99 GRF179R99			4P	6.3	15748					153.07	114				1.05						GR169 GRF169	6P	2.6	36559	563	128	1.0	3.0	31235	481	128	1.2	3.1	30975	477	128	1.2	3.6	26494	408	128	1.4		4.1		23117	356	128	1.6	4.9	19156	295			128	1.9	8.9	11163	163.31			61			1.10					GR149 GRF149	4P	6.6		15115				146.91					34			0.80	GR149 GRF149	6P	9.9	10042	146.91	63	1.20	12	8193	119.86			65	1.50	13	7472	109.31	66	1.65	15	6466	94.60	67	1.90	17	5706	83.47	68	2.10	20	4928	72.09	69	2.50	22	4579	66.99			69	2.70	24	4176	61.09	70			2.90	28	3614	52.87	70	3.40	10	9646					141.12			22			0.80	GR139 GRF139	4P	11	8762	128.18	45	0.85	13	7773	113.72	50	0.95	14	7054	103.20	52	1.05	16	6063	88.70	53	1.25																																																																																																																																																
746	94	1.93	4.4	3.70			900	78	1.60	4.2	3.90	1036	67	1.39	4.0	4.20			443	158	3.25	3.6	1.10	GRX79 GRXF79	4P	5.5	18302	177.89			128	1.85	GR179 GRF179	6P	468			149	3.08				3.7		1.25	533	131		2.70	3.6		1.60	593	118	2.43	3.5			1.75	676	103			2.13	3.4	1.85	766	91	1.88	3.3	2.00	862	81	1.67	3.2	2.10	1014	69	1.42	3.1	2.20	567	123	2.54	1.4	0.95	GRX69 GRXF69	4P	7.5	13266	194.08	128	2.55			GR179 GRF179	4P	600			116	2.40						1.5				1.00	706	99	2.04	1.7	1.30			774	90	1.86	1.8	1.35	894	78	1.61	2.0	1.40	1029	68	1.40	2.0	1.50	11kW							11kW							2.5	38313	590	128	1.0	GR179R109 GRF179R109	4P	5.2	19232	186.93	114	0.90			GR169 GRF169			6P	3.0	31949			492											128	1.1	3.2	29222	450	128	1.3	3.6	26170	403	128	1.4	4.0	23637	364	128	1.5	4.4	21494	331	128	1.7	5.0	19026	293	128	1.9	5.5	17273	266	128	2.1	6.4	14871	229	128	2.5	7.3	12987	200	128	2.8	2.4	40326	621	128	0.9	GR179R99 GRF179R99	4P	6.3	15748	153.07	114	1.05					GR169 GRF169	6P					2.6	36559				563				128	1.0			3.0	31235	481	128	1.2	3.1	30975	477	128	1.2	3.6	26494	408	128	1.4	4.1	23117	356	128	1.6	4.9	19156	295	128	1.9	8.9	11163	163.31	61	1.10			GR149 GRF149	4P	6.6	15115	146.91	34	0.80	GR149 GRF149			6P							9.9		10042				146.91					63			1.20			12	8193	119.86	65	1.50	13	7472	109.31			66	1.65	15	6466	94.60	67	1.90	17	5706	83.47	68	2.10	20	4928	72.09	69	2.50	22	4579	66.99	69	2.70	24	4176	61.09	70	2.90	28	3614	52.87	70	3.40	10	9646	141.12	22	0.80	GR139 GRF139	4P	11	8762	128.18	45					0.85			13			7773			113.72	50	0.95	14	7054	103.20	52	1.05	16	6063	88.70	53	1.25																																																																																																																																																							
900	78	1.60	4.2	3.90			1036	67	1.39	4.0	4.20	443	158	3.25	3.6	1.10			GRX79 GRXF79	4P	5.5	18302	177.89			128	1.85	GR179 GRF179			6P	468			149			3.08	3.7	1.25		533	131		2.70	3.6	1.60		593	118		2.43	3.5	1.75	676	103			2.13	3.4	1.85			766	91	1.88	3.3	2.00	862	81	1.67	3.2	2.10	1014	69	1.42	3.1	2.20	567	123	2.54	1.4	0.95	GRX69 GRXF69	4P	7.5			13266	194.08	128	2.55	GR179 GRF179					4P			600	116						2.40	1.5		1.00	706	99	2.04	1.7	1.30	774	90	1.86	1.8	1.35	894	78	1.61	2.0	1.40	1029	68	1.40	2.0	1.50	11kW							11kW							2.5	38313	590	128	1.0	GR179R109 GRF179R109	4P	5.2			19232	186.93	114	0.90	GR169 GRF169							6P	3.0			31949		492					128				1.1	3.2	29222	450	128	1.3	3.6	26170	403	128	1.4	4.0	23637	364	128	1.5	4.4	21494	331	128	1.7	5.0	19026	293	128	1.9	5.5	17273	266	128	2.1	6.4	14871	229	128	2.5	7.3	12987	200	128	2.8	2.4	40326	621	128	0.9	GR179R99 GRF179R99			4P	6.3	15748	153.07	114											1.05	GR169 GRF169	6P		2.6	36559				563	128			1.0	3.0	31235	481	128	1.2	3.1	30975	477	128	1.2	3.6	26494	408	128	1.4	4.1	23117	356	128	1.6	4.9	19156	295	128	1.9	8.9	11163	163.31	61					1.10	GR149 GRF149	4P	6.6	15115											146.91		34				0.80	GR149 GRF149	6P			9.9			10042			146.91	63	1.20	12	8193	119.86	65	1.50			13	7472	109.31	66	1.65	15	6466	94.60	67	1.90	17	5706	83.47	68	2.10	20	4928	72.09	69	2.50	22	4579	66.99	69	2.70	24	4176	61.09	70	2.90	28	3614	52.87	70	3.40	10	9646			141.12	22	0.80	GR139 GRF139		4P	11		8762			128.18			45			0.85	13	7773	113.72	50	0.95	14	7054	103.20	52	1.05	16	6063	88.70	53	1.25																																																																																																																																																				
1036	67	1.39	4.0	4.20																																																																																																																																																																																																																																																																																																																																																																																																																																																																																																																																																																						
443	158	3.25	3.6	1.10			GRX79 GRXF79	4P	5.5	18302	177.89	128	1.85	GR179 GRF179	6P																																																																																																																																																																																																																																																																																																																																																																																																																																																																																																																																																											
468	149	3.08	3.7	1.25	533	131			2.70	3.6	1.60	593	118			2.43	3.5	1.75			676	103	2.13			3.4	1.85	766			91	1.88	3.3	2.00	862			81	1.67	3.2		2.10	1014		69	1.42	3.1		2.20	567		123	2.54	1.4	0.95	GRX69 GRXF69	4P	7.5	13266	194.08	128	2.55	GR179 GRF179	4P	600	116	2.40	1.5	1.00	706	99	2.04	1.7	1.30	774	90	1.86	1.8	1.35	894	78	1.61	2.0			1.40			1029	68	1.40	2.0	1.50			11kW							11kW							2.5	38313	590	128	1.0	GR179R109 GRF179R109	4P	5.2	19232	186.93	114	0.90	GR169 GRF169	6P	3.0	31949	492	128	1.1	3.2	29222	450	128	1.3	3.6	26170	403	128	1.4	4.0	23637	364	128	1.5	4.4	21494	331	128	1.7	5.0	19026			293			128	1.9	5.5	17273	266			128			2.1	6.4	14871			229	128	2.5			7.3	12987	200	128	2.8	2.4	40326	621	128	0.9	GR179R99 GRF179R99	4P	6.3	15748	153.07	114	1.05	GR169 GRF169	6P	2.6	36559	563	128	1.0	3.0	31235	481	128	1.2	3.1	30975	477	128	1.2	3.6	26494	408	128	1.4	4.1	23117	356	128	1.6	4.9	19156	295	128	1.9	8.9	11163	163.31					61	1.10	GR149 GRF149	4P					6.6	15115		146.91	34		0.80	GR149 GRF149	6P		9.9	10042	146.91	63		1.20	12	8193	119.86	65	1.50	13	7472	109.31	66	1.65	15	6466	94.60	67	1.90	17	5706	83.47	68	2.10	20	4928	72.09	69	2.50	22	4579	66.99	69	2.70	24	4176	61.09					70			2.90	28											3614		52.87	70		3.40	10			9646	141.12	22	0.80	GR139 GRF139	4P			11	8762	128.18	45	0.85	13	7773	113.72	50	0.95	14	7054	103.20	52	1.05	16	6063	88.70	53	1.25																																																																																																																																																																																																																		
533	131	2.70	3.6	1.60	593	118			2.43	3.5	1.75	676	103	2.13	3.4	1.85	766	91			1.88	3.3	2.00			862	81	1.67			3.2	2.10	1014	69	1.42			3.1	2.20	567		123	2.54		1.4	0.95	GRX69 GRXF69	4P	7.5	13266	194.08	128	2.55	GR179 GRF179	4P			600	116	2.40	1.5	1.00			706	99	2.04	1.7	1.30	774	90	1.86	1.8	1.35	894	78	1.61	2.0	1.40	1029	68	1.40	2.0			1.50			11kW							11kW							2.5	38313	590	128	1.0	GR179R109 GRF179R109	4P	5.2	19232	186.93	114	0.90			GR169 GRF169	6P	3.0	31949	492			128	1.1	3.2	29222	450	128	1.3	3.6	26170	403	128	1.4	4.0	23637	364	128	1.5	4.4	21494	331	128	1.7	5.0	19026	293	128	1.9			5.5			17273	266	128	2.1	6.4			14871			229	128	2.5			7.3	12987	200	128	2.8	2.4	40326	621	128	0.9	GR179R99 GRF179R99	4P	6.3	15748	153.07			114	1.05	GR169 GRF169	6P	2.6			36559	563	128	1.0	3.0	31235	481	128	1.2	3.1	30975	477	128	1.2	3.6	26494	408	128	1.4	4.1	23117	356	128	1.6	4.9	19156	295	128	1.9	8.9	11163	163.31	61					1.10	GR149 GRF149							4P	6.6		15115	146.91		34			0.80	GR149 GRF149	6P	9.9	10042	146.91	63	1.20	12	8193	119.86	65	1.50	13	7472	109.31	66	1.65	15	6466	94.60	67	1.90	17	5706	83.47	68	2.10	20	4928	72.09	69	2.50	22	4579	66.99	69	2.70	24	4176	61.09	70			2.90			28	3614											52.87		70	3.40		10	9646			141.12	22	0.80	GR139 GRF139			4P	11	8762	128.18	45	0.85	13	7773	113.72	50	0.95	14	7054	103.20	52	1.05	16	6063	88.70	53	1.25																																																																																																																																																																																																																			
593	118	2.43	3.5	1.75	676	103			2.13	3.4	1.85	766	91	1.88	3.3	2.00	862	81			1.67	3.2	2.10			1014	69	1.42			3.1	2.20	567	123	2.54			1.4	0.95	GRX69 GRXF69	4P	7.5	13266	194.08	128	2.55			GR179 GRF179	4P	600	116	2.40					1.5	1.00	706	99	2.04			1.7	1.30	774	90	1.86	1.8	1.35	894	78	1.61	2.0	1.40	1029	68	1.40	2.0	1.50	11kW							11kW							2.5	38313	590	128	1.0	GR179R109 GRF179R109	4P	5.2	19232	186.93	114	0.90			GR169 GRF169	6P	3.0	31949	492					128	1.1	3.2			29222	450	128	1.3	3.6	26170	403	128	1.4	4.0	23637	364	128	1.5	4.4	21494	331	128	1.7	5.0	19026	293	128	1.9	5.5	17273	266			128			2.1	6.4	14871	229	128			2.5			7.3	12987	200	128	2.8	2.4	40326	621	128	0.9	GR179R99 GRF179R99	4P	6.3	15748	153.07			114	1.05	GR169 GRF169			6P	2.6			36559			563	128	1.0	3.0	31235	481	128	1.2	3.1	30975	477	128	1.2	3.6	26494	408	128	1.4	4.1	23117	356	128	1.6	4.9	19156	295	128	1.9	8.9	11163	163.31	61	1.10					GR149 GRF149									4P	6.6	15115	146.91	34	0.80			GR149 GRF149			6P	9.9	10042	146.91	63	1.20	12	8193	119.86	65	1.50	13	7472	109.31	66	1.65	15	6466	94.60	67	1.90	17	5706	83.47	68	2.10	20	4928	72.09	69	2.50	22	4579	66.99	69	2.70	24	4176	61.09			70			2.90	28	3614			52.87			70	3.40			10		9646	141.12		22	0.80			GR139 GRF139	4P	11					8762	128.18	45	0.85	13	7773	113.72	50	0.95	14	7054	103.20	52	1.05	16	6063	88.70	53	1.25																																																																																																																																																																																																																				
676	103	2.13	3.4	1.85	766	91			1.88	3.3	2.00	862	81	1.67	3.2	2.10	1014	69			1.42	3.1	2.20			567	123	2.54			1.4	0.95	GRX69 GRXF69	4P	7.5	13266	194.08	128	2.55			GR179 GRF179	4P	600	116	2.40					1.5	1.00	706					99	2.04	1.7	1.30	774	90	1.86	1.8	1.35	894	78	1.61	2.0	1.40	1029	68	1.40	2.0	1.50	11kW							11kW							2.5	38313	590	128	1.0	GR179R109 GRF179R109	4P	5.2	19232	186.93			114	0.90	GR169 GRF169	6P	3.0					31949	492	128					1.1	3.2	29222	450	128	1.3	3.6	26170	403	128	1.4	4.0	23637	364	128	1.5	4.4	21494	331	128	1.7	5.0	19026	293	128	1.9	5.5	17273	266	128	2.1	6.4			14871			229	128	2.5	7.3	12987			200	128	2.8	2.4	40326	621	128	0.9	GR179R99 GRF179R99	4P	6.3	15748	153.07			114	1.05	GR169 GRF169			6P	2.6					36559			563	128	1.0	3.0	31235	481	128	1.2	3.1	30975	477	128	1.2	3.6	26494	408	128	1.4	4.1	23117	356	128	1.6	4.9	19156	295	128	1.9	8.9	11163	163.31	61	1.10	GR149 GRF149	4P	6.6										15115	146.91				34	0.80	GR149 GRF149	6P	9.9							10042	146.91	63	1.20	12	8193	119.86	65	1.50	13	7472	109.31	66	1.65	15	6466	94.60	67	1.90	17	5706	83.47	68	2.10	20	4928	72.09	69	2.50	22	4579	66.99	69	2.70	24	4176	61.09	70			2.90			28	3614	52.87			70			3.40	10			9646	141.12	22	0.80	GR139 GRF139	4P	11	8762	128.18			45					0.85	13	7773	113.72	50	0.95	14	7054	103.20	52	1.05	16	6063	88.70	53	1.25																																																																																																																																																																																																																							
766	91	1.88	3.3	2.00	862	81			1.67	3.2	2.10	1014	69	1.42	3.1	2.20	567	123			2.54	1.4	0.95			GRX69 GRXF69	4P	7.5	13266	194.08	128	2.55			GR179 GRF179	4P	600	116	2.40					1.5	1.00	706					99	2.04	1.7	1.30	774			90	1.86	1.8	1.35	894	78	1.61	2.0	1.40	1029	68	1.40	2.0	1.50	11kW							11kW							2.5	38313	590	128	1.0	GR179R109 GRF179R109	4P	5.2	19232	186.93			114	0.90	GR169 GRF169			6P	3.0			31949					492	128	1.1			3.2	29222	450	128	1.3	3.6	26170	403	128	1.4	4.0	23637	364	128	1.5	4.4	21494	331	128	1.7	5.0	19026	293	128	1.9	5.5	17273	266	128	2.1	6.4	14871	229	128			2.5			7.3	12987	200	128	2.8	2.4	40326	621	128	0.9	GR179R99 GRF179R99	4P	6.3	15748	153.07			114	1.05	GR169 GRF169			6P	2.6					36559					563	128	1.0	3.0	31235	481	128	1.2	3.1	30975	477	128	1.2	3.6	26494	408	128	1.4	4.1	23117	356	128	1.6	4.9	19156	295	128	1.9	8.9	11163	163.31	61	1.10	GR149 GRF149	4P	6.6			15115									146.91	34	0.80	GR149 GRF149			6P	9.9			10042							146.91	63	1.20	12	8193	119.86	65	1.50	13	7472	109.31	66	1.65	15	6466	94.60	67	1.90	17	5706	83.47	68	2.10	20	4928	72.09	69	2.50	22	4579	66.99	69	2.70	24	4176	61.09	70	2.90			28			3614	52.87	70			3.40	10	9646	141.12	22			0.80	GR139 GRF139	4P	11			8762	128.18	45			0.85					13	7773	113.72	50	0.95	14	7054	103.20	52	1.05	16	6063	88.70	53	1.25																																																																																																																																																																																																																								
862	81	1.67	3.2	2.10	1014	69			1.42	3.1	2.20	567	123	2.54	1.4	0.95	GRX69 GRXF69	4P			7.5	13266	194.08	128	2.55			GR179 GRF179	4P	600	116	2.40					1.5	1.00	706					99	2.04	1.7			1.30	774	90	1.86	1.8	1.35	894			78	1.61	2.0	1.40	1029	68	1.40	2.0	1.50	11kW							11kW							2.5	38313	590	128	1.0	GR179R109 GRF179R109	4P	5.2	19232	186.93			114	0.90	GR169 GRF169			6P	3.0					31949			492			128	1.1	3.2	29222	450			128	1.3	3.6	26170	403	128	1.4	4.0	23637	364	128	1.5	4.4	21494	331	128	1.7	5.0	19026	293	128	1.9	5.5	17273	266	128	2.1	6.4	14871	229	128	2.5	7.3	12987			200	128	2.8	2.4	40326	621	128	0.9	GR179R99 GRF179R99	4P	6.3	15748	153.07			114	1.05	GR169 GRF169			6P	2.6					36559					563	128			1.0	3.0	31235	481	128	1.2	3.1	30975	477	128	1.2	3.6	26494	408	128	1.4	4.1	23117	356	128	1.6	4.9	19156	295	128	1.9	8.9	11163	163.31	61	1.10	GR149 GRF149	4P	6.6			15115			146.91		34	0.80						GR149 GRF149	6P	9.9					10042			146.91							63	1.20	12	8193	119.86	65	1.50	13	7472	109.31	66	1.65	15	6466	94.60	67	1.90	17	5706	83.47	68	2.10	20	4928	72.09	69	2.50	22	4579	66.99	69	2.70	24	4176	61.09	70	2.90	28			3614			52.87	70	3.40	10	9646	141.12	22	0.80	GR139 GRF139	4P			11			8762			128.18	45	0.85			13					7773	113.72	50	0.95	14	7054	103.20	52	1.05	16	6063	88.70	53	1.25																																																																																																																																																																																																																									
1014	69	1.42	3.1	2.20																																																																																																																																																																																																																																																																																																																																																																																																																																																																																																																																																																						
567	123	2.54	1.4	0.95	GRX69 GRXF69	4P			7.5	13266	194.08	128	2.55	GR179 GRF179	4P																																																																																																																																																																																																																																																																																																																																																																																																																																																																																																																																																											
600	116	2.40	1.5	1.00			706	99	2.04	1.7	1.30	774	90			1.86			1.8	1.35	894	78	1.61	2.0	1.40			1029	68	1.40	2.0	1.50			11kW							11kW							2.5	38313	590	128	1.0	GR179R109 GRF179R109	4P	5.2	19232	186.93	114	0.90	GR169 GRF169	6P	3.0	31949	492	128	1.1	3.2	29222	450	128	1.3	3.6	26170	403	128	1.4	4.0	23637	364	128	1.5	4.4	21494	331			128	1.7	5.0			19026	293	128			1.9	5.5	17273			266	128	2.1	6.4	14871			229	128	2.5	7.3	12987			200	128	2.8	2.4	40326	621	128	0.9	GR179R99 GRF179R99	4P	6.3	15748	153.07	114	1.05	GR169 GRF169	6P	2.6	36559	563	128	1.0	3.0	31235	481	128	1.2	3.1	30975	477	128	1.2	3.6	26494	408	128	1.4	4.1	23117	356	128	1.6	4.9	19156			295	128	1.9			8.9	11163	163.31			61	1.10	GR149 GRF149			4P	6.6	15115			146.91	34	0.80			GR149 GRF149	6P	9.9	10042	146.91	63	1.20	12	8193	119.86	65	1.50	13	7472	109.31	66	1.65	15	6466	94.60	67	1.90	17	5706	83.47	68	2.10	20	4928	72.09	69			2.50			22			4579	66.99	69	2.70	24							4176					61.09			70	2.90	28	3614	52.87	70	3.40	10	9646	141.12	22	0.80	GR139 GRF139	4P	11	8762	128.18	45	0.85	13	7773	113.72	50	0.95	14	7054	103.20	52	1.05	16	6063	88.70	53	1.25																																																																																																																																																																																																																																																																																			
706	99	2.04	1.7	1.30			774	90	1.86	1.8	1.35	894	78			1.61			2.0	1.40	1029	68	1.40	2.0	1.50			11kW							11kW							2.5	38313	590	128	1.0	GR179R109 GRF179R109	4P	5.2	19232	186.93	114	0.90			GR169 GRF169	6P	3.0	31949	492			128	1.1	3.2	29222	450	128	1.3	3.6	26170	403	128	1.4	4.0	23637	364	128	1.5	4.4	21494	331	128	1.7	5.0			19026	293	128			1.9	5.5	17273			266	128	2.1			6.4	14871	229	128	2.5			7.3	12987	200	128	2.8	2.4	40326	621	128	0.9	GR179R99 GRF179R99	4P	6.3	15748	153.07			114	1.05	GR169 GRF169	6P	2.6			36559	563	128	1.0	3.0	31235	481	128	1.2	3.1	30975	477	128	1.2	3.6	26494	408	128	1.4	4.1	23117	356	128	1.6	4.9	19156	295			128	1.9	8.9			11163	163.31	61			1.10	GR149 GRF149					4P	6.6			15115	146.91	34	0.80	GR149 GRF149			6P	9.9	10042	146.91	63	1.20	12	8193	119.86	65	1.50	13	7472	109.31	66	1.65	15	6466	94.60	67	1.90	17	5706	83.47	68	2.10	20	4928	72.09			69			2.50			22	4579	66.99	69	2.70							24					4176	61.09	70	2.90	28	3614	52.87	70	3.40	10	9646	141.12	22	0.80	GR139 GRF139			4P	11	8762	128.18	45	0.85	13	7773	113.72	50	0.95	14	7054	103.20	52	1.05	16	6063	88.70	53	1.25																																																																																																																																																																																																																																																																																		
774	90	1.86	1.8	1.35			894	78	1.61	2.0	1.40	1029	68	1.40	2.0	1.50			11kW							11kW							2.5	38313	590	128	1.0	GR179R109 GRF179R109	4P	5.2	19232	186.93	114	0.90	GR169 GRF169	6P			3.0	31949	492	128	1.1					3.2	29222	450			128	1.3	3.6	26170	403	128	1.4	4.0	23637	364	128	1.5	4.4	21494	331	128	1.7	5.0	19026	293	128	1.9	5.5			17273	266	128			2.1	6.4	14871			229	128	2.5			7.3	12987	200	128	2.8	2.4	40326	621	128	0.9	GR179R99 GRF179R99	4P	6.3	15748	153.07	114	1.05			GR169 GRF169	6P	2.6			36559	563			128			1.0	3.0	31235	481	128	1.2	3.1	30975	477	128	1.2	3.6	26494	408	128	1.4	4.1	23117	356	128	1.6	4.9	19156	295	128	1.9	8.9			11163	163.31	61			1.10	GR149 GRF149	4P			6.6							15115	146.91	34	0.80	GR149 GRF149	6P	9.9					10042	146.91	63	1.20	12	8193	119.86	65	1.50	13	7472	109.31	66	1.65	15	6466	94.60	67	1.90	17	5706	83.47	68	2.10	20	4928	72.09	69			2.50			22			4579	66.99	69	2.70	24							4176	61.09			70	2.90	28	3614	52.87	70	3.40	10	9646	141.12	22	0.80	GR139 GRF139	4P	11					8762	128.18	45	0.85	13	7773	113.72	50	0.95	14	7054	103.20	52	1.05	16	6063	88.70	53	1.25																																																																																																																																																																																																																																																																																			
894	78	1.61	2.0	1.40			1029	68	1.40	2.0	1.50	11kW							11kW							2.5	38313	590	128	1.0	GR179R109 GRF179R109	4P	5.2	19232	186.93	114	0.90			GR169 GRF169	6P	3.0	31949	492					128	1.1	3.2	29222	450					128	1.3	3.6	26170	403	128	1.4	4.0	23637	364	128	1.5	4.4	21494	331	128	1.7	5.0	19026	293	128	1.9	5.5	17273	266	128	2.1	6.4			14871	229	128			2.5	7.3	12987			200	128	2.8	2.4	40326	621	128	0.9	GR179R99 GRF179R99	4P	6.3	15748	153.07	114	1.05			GR169 GRF169	6P	2.6	36559	563					128			1.0	3.0			31235	481	128	1.2	3.1	30975	477	128	1.2	3.6	26494	408	128	1.4	4.1	23117	356	128	1.6	4.9	19156	295	128	1.9	8.9	11163	163.31	61	1.10	GR149 GRF149			4P	6.6	15115			146.91					34			0.80	GR149 GRF149			6P	9.9	10042	146.91			63					1.20	12	8193	119.86	65	1.50	13	7472	109.31	66	1.65	15	6466	94.60	67	1.90	17	5706	83.47	68	2.10	20	4928	72.09	69	2.50	22	4579			66.99			69			2.70	24	4176	61.09	70			2.90	28	3614	52.87	70	3.40			10	9646	141.12	22	0.80	GR139 GRF139	4P	11	8762	128.18	45	0.85			13					7773	113.72	50	0.95	14	7054	103.20	52	1.05	16	6063	88.70	53	1.25																																																																																																																																																																																																																																																																																								
1029	68	1.40	2.0	1.50																																																																																																																																																																																																																																																																																																																																																																																																																																																																																																																																																																						
11kW							11kW																																																																																																																																																																																																																																																																																																																																																																																																																																																																																																																																																																			
2.5	38313	590	128	1.0	GR179R109 GRF179R109	4P	5.2	19232	186.93	114	0.90	GR169 GRF169	6P																																																																																																																																																																																																																																																																																																																																																																																																																																																																																																																																																													
3.0	31949	492	128	1.1			3.2	29222	450	128	1.3			3.6	26170	403	128	1.4	4.0	23637	364	128	1.5	4.4	21494	331	128	1.7	5.0	19026			293	128	1.9	5.5	17273			266	128	2.1	6.4	14871	229	128			2.5	7.3	12987	200	128			2.8	2.4	40326	621	128	0.9	GR179R99 GRF179R99	4P	6.3	15748	153.07	114	1.05	GR169 GRF169	6P	2.6	36559	563	128	1.0	3.0	31235	481	128	1.2	3.1	30975	477	128	1.2	3.6	26494	408	128	1.4	4.1	23117	356	128	1.6	4.9	19156	295	128	1.9	8.9	11163	163.31	61	1.10			GR149 GRF149	4P	6.6	15115	146.91			34	0.80	GR149 GRF149	6P	9.9			10042	146.91	63			1.20	12	8193	119.86	65	1.50	13	7472	109.31	66	1.65	15	6466	94.60	67	1.90	17	5706	83.47	68	2.10	20	4928	72.09	69	2.50	22	4579	66.99	69	2.70	24	4176		61.09	70		2.90	28	3614	52.87	70			3.40	10	9646			141.12					22	0.80	GR139 GRF139			4P	11	8762	128.18	45	0.85	13	7773	113.72	50	0.95	14	7054	103.20	52	1.05	16	6063	88.70	53	1.25																																																																																																																																																																																																																																																																																																																																																												
3.2	29222	450	128	1.3			3.6	26170	403	128	1.4			4.0	23637	364	128	1.5	4.4	21494	331	128	1.7	5.0	19026	293	128	1.9	5.5	17273			266	128	2.1	6.4	14871			229	128	2.5	7.3	12987	200	128			2.8	2.4	40326	621	128			0.9	GR179R99 GRF179R99	4P	6.3	15748	153.07			114	1.05	GR169 GRF169	6P	2.6			36559	563	128	1.0	3.0	31235	481	128	1.2	3.1	30975	477	128	1.2	3.6	26494	408	128	1.4	4.1	23117	356	128	1.6	4.9	19156	295	128	1.9	8.9	11163	163.31	61	1.10	GR149 GRF149					4P	6.6	15115			146.91	34			0.80			GR149 GRF149	6P	9.9			10042	146.91	63	1.20	12	8193	119.86	65	1.50	13	7472	109.31	66	1.65	15	6466	94.60	67	1.90	17	5706	83.47	68	2.10	20	4928	72.09	69	2.50	22	4579	66.99	69		2.70	24		4176	61.09	70	2.90	28			3614	52.87	70			3.40					10	9646		141.12	22		0.80	GR139 GRF139	4P	11	8762	128.18	45	0.85	13	7773	113.72	50	0.95	14	7054	103.20	52	1.05	16	6063	88.70	53	1.25																																																																																																																																																																																																																																																																																																																																																									
3.6	26170	403	128	1.4			4.0	23637	364	128	1.5	4.4	21494	331	128	1.7	5.0	19026	293	128	1.9	5.5	17273	266	128	2.1	6.4	14871	229	128			2.5	7.3	12987	200	128			2.8	2.4	40326	621	128	0.9	GR179R99 GRF179R99			4P	6.3	15748	153.07	114	1.05	GR169 GRF169	6P			2.6	36559	563			128	1.0			3.0			31235	481	128	1.2	3.1	30975	477	128	1.2	3.6	26494	408	128	1.4	4.1	23117	356	128	1.6	4.9	19156	295	128	1.9	8.9	11163	163.31	61	1.10	GR149 GRF149	4P	6.6	15115	146.91							34	0.80			GR149 GRF149	6P			9.9					10042	146.91	63	1.20	12	8193	119.86	65	1.50	13	7472	109.31	66	1.65	15	6466	94.60	67	1.90	17	5706	83.47	68	2.10	20	4928	72.09	69	2.50	22	4579	66.99	69	2.70	24	4176		61.09	70		2.90	28	3614	52.87	70			3.40	10	9646			141.12	22			0.80	GR139 GRF139	4P		11	8762		128.18			45	0.85	13	7773	113.72	50	0.95	14	7054	103.20	52	1.05	16	6063	88.70	53	1.25																																																																																																																																																																																																																																																																																																																																																												
4.0	23637	364	128	1.5			4.4	21494	331	128	1.7	5.0	19026	293	128	1.9	5.5	17273	266	128	2.1	6.4	14871	229	128	2.5	7.3	12987	200	128			2.8	2.4	40326	621	128			0.9	GR179R99 GRF179R99	4P	6.3	15748	153.07		114	1.05		GR169 GRF169	6P	2.6	36559	563					128	1.0	3.0			31235	481			128	1.2	3.1	30975	477	128	1.2	3.6	26494	408	128	1.4	4.1	23117	356	128	1.6	4.9	19156	295	128	1.9	8.9	11163	163.31	61	1.10	GR149 GRF149	4P	6.6	15115	146.91			34	0.80	GR149 GRF149							6P	9.9							10042	146.91	63			1.20	12	8193	119.86	65	1.50	13	7472	109.31	66	1.65	15	6466	94.60	67	1.90	17	5706	83.47	68	2.10	20	4928	72.09	69	2.50	22	4579	66.99	69	2.70	24	4176	61.09	70	2.90		28	3614		52.87	70	3.40	10	9646			141.12	22	0.80			GR139 GRF139	4P			11				8762	128.18		45			0.85	13	7773	113.72	50	0.95	14	7054	103.20	52	1.05	16	6063	88.70	53	1.25																																																																																																																																																																																																																																																																																																																																																													
4.4	21494	331	128	1.7			5.0	19026	293	128	1.9	5.5	17273	266	128	2.1	6.4	14871	229	128	2.5	7.3	12987	200	128	2.8	2.4	40326	621	128			0.9	GR179R99 GRF179R99	4P	6.3	15748	153.07	114	1.05			GR169 GRF169	6P	2.6		36559	563				128	1.0	3.0					31235	481	128			1.2	3.1	30975	477	128	1.2	3.6	26494	408	128	1.4	4.1	23117	356	128	1.6	4.9	19156	295	128	1.9	8.9	11163	163.31	61	1.10	GR149 GRF149	4P	6.6	15115	146.91			34	0.80	GR149 GRF149			6P	9.9									10042	146.91	63					1.20	12	8193			119.86	65	1.50	13	7472	109.31	66	1.65	15	6466	94.60	67	1.90	17	5706	83.47	68	2.10	20	4928	72.09	69	2.50	22	4579	66.99	69	2.70	24	4176	61.09	70	2.90	28	3614	52.87		70	3.40		10	9646	141.12	22	0.80			GR139 GRF139	4P	11		8762			128.18		45				0.85	13		7773			113.72	50	0.95	14	7054	103.20	52	1.05	16	6063	88.70	53	1.25																																																																																																																																																																																																																																																																																																																																																																
5.0	19026	293	128	1.9			5.5	17273	266	128	2.1	6.4	14871	229	128	2.5	7.3	12987	200	128	2.8	2.4	40326	621	128	0.9	GR179R99 GRF179R99	4P	6.3	15748	153.07	114	1.05			GR169 GRF169	6P	2.6	36559	563					128		1.0	3.0				31235	481	128	1.2	3.1			30975	477	128			1.2	3.6	26494	408	128	1.4	4.1	23117	356	128	1.6	4.9	19156	295	128	1.9	8.9	11163	163.31	61	1.10	GR149 GRF149	4P	6.6	15115	146.91			34	0.80	GR149 GRF149			6P	9.9					10042			146.91	63					1.20	12	8193					119.86	65	1.50			13	7472	109.31	66	1.65	15	6466	94.60	67	1.90	17	5706	83.47	68	2.10	20	4928	72.09	69	2.50	22	4579	66.99	69	2.70	24	4176	61.09	70	2.90	28	3614	52.87	70	3.40	10		9646	141.12		22	0.80	GR139 GRF139	4P	11					8762	128.18	45			0.85	13	7773				113.72	50		0.95			14	7054	103.20	52	1.05	16	6063	88.70	53	1.25																																																																																																																																																																																																																																																																																																																																																																			
5.5	17273	266	128	2.1			6.4	14871	229	128	2.5	7.3	12987	200	128	2.8	2.4	40326	621	128	0.9	GR179R99 GRF179R99	4P	6.3	15748	153.07			114	1.05	GR169 GRF169	6P	2.6					36559	563	128					1.0		3.0	31235		481	128	1.2	3.1	30975	477	128			1.2	3.6	26494			408	128	1.4	4.1	23117	356	128	1.6	4.9	19156	295	128	1.9	8.9	11163	163.31	61	1.10	GR149 GRF149	4P	6.6			15115	146.91	34			0.80	GR149 GRF149					6P					9.9			10042	146.91					63	1.20	12			8193	119.86	65	1.50	13			7472	109.31	66	1.65	15	6466	94.60	67	1.90	17	5706	83.47	68	2.10	20	4928	72.09	69	2.50	22	4579	66.99	69	2.70	24	4176	61.09	70	2.90	28	3614	52.87	70	3.40	10	9646		141.12	22		0.80	GR139 GRF139			4P	11	8762			128.18	45	0.85			13	7773	113.72			50	0.95	14	7054	103.20			52	1.05	16	6063	88.70	53	1.25																																																																																																																																																																																																																																																																																																																																																																						
6.4	14871	229	128	2.5			7.3	12987	200	128	2.8	2.4	40326	621	128	0.9	GR179R99 GRF179R99	4P	6.3	15748	153.07			114	1.05	GR169 GRF169			6P	2.6			36559					563	128	1.0			3.0	31235	481		128	1.2		3.1	30975	477	128	1.2	3.6	26494			408	128	1.4			4.1	23117	356	128	1.6	4.9	19156	295	128	1.9	8.9	11163	163.31	61	1.10	GR149 GRF149	4P	6.6			15115			146.91	34	0.80			GR149 GRF149											6P			9.9	10042					146.91	63	1.20			12	8193	119.86	65	1.50	13	7472	109.31	66	1.65	15	6466	94.60	67	1.90	17	5706	83.47	68	2.10	20	4928	72.09	69	2.50	22	4579	66.99	69	2.70	24	4176	61.09	70	2.90	28	3614	52.87	70	3.40	10	9646	141.12	22	0.80	GR139 GRF139	4P	11					8762	128.18			45	0.85	13			7773	113.72	50			0.95	14	7054	103.20	52	1.05	16	6063	88.70	53	1.25																																																																																																																																																																																																																																																																																																																																																																									
7.3	12987	200	128	2.8																																																																																																																																																																																																																																																																																																																																																																																																																																																																																																																																																																						
2.4	40326	621	128	0.9	GR179R99 GRF179R99	4P	6.3	15748	153.07	114	1.05	GR169 GRF169	6P																																																																																																																																																																																																																																																																																																																																																																																																																																																																																																																																																													
2.6	36559	563	128	1.0			3.0	31235	481	128	1.2			3.1	30975	477			128	1.2	3.6			26494	408	128			1.4	4.1	23117	356	128			1.6	4.9	19156	295	128			1.9	8.9	11163		163.31	61		1.10	GR149 GRF149	4P	6.6	15115	146.91	34	0.80	GR149 GRF149	6P	9.9	10042	146.91	63	1.20	12	8193	119.86	65	1.50	13	7472	109.31	66	1.65	15	6466	94.60	67			1.90			17			5706	83.47	68										2.10			20		4928		72.09	69				2.50	22	4579	66.99	69	2.70	24	4176	61.09	70	2.90	28	3614	52.87	70	3.40	10	9646	141.12	22	0.80	GR139 GRF139	4P	11	8762	128.18	45	0.85	13	7773	113.72	50	0.95	14	7054	103.20	52	1.05	16	6063	88.70	53	1.25																																																																																																																																																																																																																																																																																																																																																																																																																	
3.0	31235	481	128	1.2			3.1	30975	477	128	1.2			3.6	26494	408			128	1.4	4.1			23117	356	128			1.6	4.9	19156	295	128			1.9	8.9	11163	163.31	61			1.10	GR149 GRF149	4P	6.6	15115	146.91	34	0.80			GR149 GRF149	6P	9.9	10042	146.91			63	1.20	12	8193	119.86	65	1.50	13	7472	109.31	66	1.65	15	6466	94.60	67	1.90	17	5706			83.47			68			2.10	20	4928					72.09			69		2.50			22		4579		66.99	69	2.70	24		4176	61.09	70	2.90	28	3614	52.87	70	3.40	10	9646	141.12	22	0.80	GR139 GRF139	4P	11	8762	128.18	45	0.85			13	7773	113.72	50	0.95	14	7054	103.20	52	1.05	16	6063	88.70	53	1.25																																																																																																																																																																																																																																																																																																																																																																																																																						
3.1	30975	477	128	1.2			3.6	26494	408	128	1.4	4.1	23117	356	128	1.6			4.9	19156	295			128	1.9	8.9			11163	163.31	61	1.10	GR149 GRF149			4P	6.6	15115	146.91	34	0.80	GR149 GRF149	6P			9.9	10042	146.91	63	1.20					12	8193	119.86			65	1.50	13	7472	109.31	66	1.65	15	6466	94.60	67	1.90	17	5706	83.47	68	2.10	20	4928			72.09			69			2.50	22	4579				66.99	69			2.70	24	4176			61.09		70	2.90	28	3614	52.87	70	3.40	10	9646	141.12	22	0.80	GR139 GRF139	4P	11	8762	128.18	45	0.85	13	7773			113.72	50	0.95	14	7054			103.20	52	1.05	16	6063	88.70	53	1.25																																																																																																																																																																																																																																																																																																																																																																																																																													
3.6	26494	408	128	1.4			4.1	23117	356	128	1.6	4.9	19156	295	128	1.9			8.9	11163	163.31			61	1.10	GR149 GRF149			4P	6.6	15115	146.91		34	0.80		GR149 GRF149	6P	9.9	10042	146.91					63	1.20	12	8193	119.86					65	1.50	13			7472	109.31	66	1.65	15	6466	94.60	67	1.90	17	5706	83.47	68	2.10	20	4928	72.09	69	2.50			22			4579			66.99	69	2.70			24	4176	61.09			70	2.90	28	3614	52.87	70	3.40	10	9646	141.12	22	0.80	GR139 GRF139	4P	11	8762	128.18	45	0.85			13	7773	113.72	50	0.95	14	7054			103.20	52	1.05	16	6063			88.70	53	1.25																																																																																																																																																																																																																																																																																																																																																																																																																																		
4.1	23117	356	128	1.6			4.9	19156	295	128	1.9	8.9	11163	163.31	61	1.10			GR149 GRF149	4P	6.6			15115	146.91		34	0.80		GR149 GRF149	6P	9.9		10042	146.91				63	1.20	12					8193	119.86	65	1.50	13					7472	109.31	66			1.65	15	6466	94.60	67	1.90	17	5706	83.47	68	2.10	20	4928	72.09	69	2.50	22	4579	66.99			69			2.70			24	4176	61.09			70	2.90	28	3614	52.87	70	3.40	10	9646	141.12	22	0.80	GR139 GRF139	4P	11	8762	128.18			45	0.85	13	7773	113.72			50	0.95	14	7054	103.20	52	1.05			16	6063	88.70	53	1.25																																																																																																																																																																																																																																																																																																																																																																																																																																							
4.9	19156	295	128	1.9																																																																																																																																																																																																																																																																																																																																																																																																																																																																																																																																																																						
8.9	11163	163.31	61	1.10			GR149 GRF149	4P	6.6	15115	146.91	34	0.80	GR149 GRF149	6P																																																																																																																																																																																																																																																																																																																																																																																																																																																																																																																																																											
9.9	10042	146.91	63	1.20					12	8193	119.86	65	1.50			13	7472	109.31			66	1.65	15	6466	94.60		67	1.90				17		5706	83.47				68	2.10	20					4928	72.09	69	2.50	22			4579	66.99	69	2.70	24	4176	61.09	70	2.90	28	3614	52.87	70	3.40	10	9646	141.12	22	0.80	GR139 GRF139	4P	11	8762	128.18	45	0.85			13	7773	113.72	50	0.95	14	7054	103.20	52	1.05	16	6063	88.70	53	1.25																																																																																																																																																																																																																																																																																																																																																																																																																																																																											
12	8193	119.86	65	1.50	13	7472			109.31	66	1.65	15	6466			94.60	67	1.90			17	5706	83.47	68	2.10		20	4928				72.09		69	2.50				22	4579	66.99	69	2.70			24	4176	61.09	70	2.90			28	3614	52.87	70	3.40	10	9646	141.12	22	0.80	GR139 GRF139	4P	11	8762	128.18	45	0.85	13	7773			113.72	50	0.95	14	7054	103.20	52	1.05	16	6063	88.70	53	1.25																																																																																																																																																																																																																																																																																																																																																																																																																																																																																				
13	7472	109.31	66	1.65	15	6466			94.60	67	1.90	17	5706			83.47	68	2.10			20	4928	72.09	69	2.50		22	4579				66.99		69	2.70		24	4176	61.09	70	2.90	28	3614			52.87	70	3.40	10	9646			141.12	22	0.80	GR139 GRF139	4P	11	8762	128.18	45	0.85			13	7773	113.72	50	0.95	14	7054			103.20	52	1.05	16	6063	88.70	53	1.25																																																																																																																																																																																																																																																																																																																																																																																																																																																																																									
15	6466	94.60	67	1.90	17	5706			83.47	68	2.10	20	4928			72.09	69	2.50			22	4579	66.99	69	2.70		24	4176		61.09	70	2.90		28	3614		52.87	70	3.40	10	9646	141.12	22			0.80	GR139 GRF139	4P	11	8762			128.18	45	0.85			13	7773	113.72	50	0.95			14	7054	103.20	52	1.05	16	6063			88.70	53	1.25																																																																																																																																																																																																																																																																																																																																																																																																																																																																																														
17	5706	83.47	68	2.10	20	4928			72.09	69	2.50	22	4579			66.99	69	2.70			24	4176	61.09	70	2.90		28	3614		52.87	70	3.40		10	9646		141.12	22	0.80	GR139 GRF139	4P	11	8762			128.18			45	0.85	13	7773	113.72	50	0.95			14	7054	103.20	52	1.05			16	6063	88.70	53	1.25																																																																																																																																																																																																																																																																																																																																																																																																																																																																																																					
20	4928	72.09	69	2.50	22	4579			66.99	69	2.70	24	4176	61.09	70	2.90	28	3614			52.87	70	3.40	10	9646		141.12	22		0.80	GR139 GRF139	4P		11	8762		128.18	45	0.85			13	7773	113.72	50	0.95			14	7054	103.20	52	1.05	16	6063			88.70	53	1.25																																																																																																																																																																																																																																																																																																																																																																																																																																																																																																														
22	4579	66.99	69	2.70	24	4176			61.09	70	2.90	28	3614	52.87	70	3.40	10	9646			141.12	22	0.80	GR139 GRF139	4P		11	8762		128.18			45	0.85	13	7773	113.72	50	0.95			14	7054	103.20	52	1.05			16	6063	88.70	53	1.25																																																																																																																																																																																																																																																																																																																																																																																																																																																																																																																					
24	4176	61.09	70	2.90	28	3614			52.87	70	3.40	10	9646	141.12	22	0.80	GR139 GRF139	4P			11	8762	128.18			45	0.85	13	7773	113.72			50	0.95	14	7054	103.20	52	1.05			16	6063	88.70	53	1.25																																																																																																																																																																																																																																																																																																																																																																																																																																																																																																																												
28	3614	52.87	70	3.40																																																																																																																																																																																																																																																																																																																																																																																																																																																																																																																																																																						
10	9646	141.12	22	0.80	GR139 GRF139	4P																																																																																																																																																																																																																																																																																																																																																																																																																																																																																																																																																																				
11	8762	128.18	45	0.85			13	7773	113.72	50	0.95	14	7054	103.20	52	1.05			16	6063	88.70	53	1.25																																																																																																																																																																																																																																																																																																																																																																																																																																																																																																																																																			
13	7773	113.72	50	0.95			14	7054	103.20	52	1.05	16	6063	88.70	53	1.25																																																																																																																																																																																																																																																																																																																																																																																																																																																																																																																																																										
14	7054	103.20	52	1.05			16	6063	88.70	53	1.25																																																																																																																																																																																																																																																																																																																																																																																																																																																																																																																																																															
16	6063	88.70	53	1.25																																																																																																																																																																																																																																																																																																																																																																																																																																																																																																																																																																						

**选型参数表
(恒功率)**
**Selection Table
(Constant Power)**

n_a [r/min]	M_a [N.m]	i	F_{Ra} [kN]	f_B	机型号 Type size	极数 Pole	n_a [r/min]	M_a [N.m]	i	F_{Ra} [kN]	f_B	机型号 Type size	极数 Pole
11kW							11kW						
18	5531	80.91	54	1.35			281	364	5.19	8.6	1.85		
20	5023	73.49	55	1.50			314	326	4.65	8.3	2.00		
22	4457	65.20	56	1.70			348	295	4.20	8.1	2.70		
25	4045	59.17	56	1.85	GR139	4P	383	267	3.81	7.9	3.00	GRX109	4P
29	3477	50.86	57	2.20	GRF139		432	237	3.38	7.7	3.40	GRXF109	
33	3034	44.39	57	2.50			476	215	3.07	7.5	3.70		
39	2574	37.65	57	2.90			553	185	2.64	7.2	4.30		
44	2250	32.91	58	3.30			323	317	4.52	6.8	1.80		
22	4484	65.60	23	0.90			361	283	4.04	6.6	2.00		
25	4061	59.41	26	1.00			401	255	3.64	6.5	2.20		
28	3601	52.68	26	1.10	GR109	4P	442	232	3.30	6.3	2.50		
31	3256	47.63	25	1.25	GRF109		500	205	2.92	6.1	2.80	GRX99	4P
36	2759	40.37	24	1.45			553	185	2.64	6.0	3.10	GRXF99	
41	2410	35.26	24	1.65			652	157	2.24	5.7	3.60		
50	2016	29.49	23	2.00			745	138	1.96	5.5	4.00		
47	2103	30.77	23	1.90			890	115	1.64	5.2	4.20		
53	1885	27.58	22	2.10	GR109	4P	1028	100	1.42	5.0	4.40		
59	1702	24.90	22	2.40	GRF109		420	244	3.48	4.8	1.60		
65	1546	22.62	21	2.60			472	217	3.09	4.7	1.80		
73	1372	20.07	21	2.90			529	194	2.76	4.6	2.00		
80	1245	18.21	20	3.20			589	174	2.48	4.4	2.20	GRX89	4P
34	2924	42.78	14	0.95	GR99	4P	679	151	2.15	4.3	2.50	GRXF89	
39	2538	37.13	18	1.10	GRF99		756	135	1.93	4.2	2.50		
44	2273	33.25	18	1.20			913	112	1.60	4.0	2.70		
53	1885	27.58	17	1.35			1050	98	1.39	3.8	2.90		
58	1711	25.03	17	1.55			601	171	2.43	1.8	1.20		
65	1529	22.37	16	1.65			685	149	2.13	2.0	1.30	GRX79	4P
72	1377	20.14	16	1.80	GR99	4P	777	132	1.88	2.2	1.35	GRXF79	
80	1247	18.24	16	1.90	GRF99		874	117	1.67	2.3	1.40		
90	1105	16.17	15	2.00			1028	100	1.42	2.5	1.50		
100	999	14.62	15	2.20			15kW						
118	847	12.39	14	2.40			3.2	39848	450	128	0.9		
135	740	10.83	14	2.70			3.6	35686	403	128	1.0		
157	635	9.29	14	3.00			4.0	32232	364	128	1.1		
174	573	8.39	13	3.30			4.4	29310	331	128	1.2	GR179R109	4P
205	487	7.12	13	3.80			5.0	25945	293	128	1.4	GRF179R109	
235	424	6.21	12	4.20			5.5	23554	266	128	1.6		
68	1476	21.60	13	0.95			6.4	20278	229	128	1.8		
76	1311	19.18	12	1.05			7.3	17710	200	128	2.1		
85	1172	17.15	12	1.10	GR89	4P	8.6	14965	169	128	2.4		
95	1054	15.42	12	1.20	GRF89		3.0	42593	481	128	0.9		
109	915	13.38	12	1.30			3.1	42238	477	128	0.9	GR179R99	4P
122	819	11.98	11	1.40			3.6	36128	408	128	1.0	GRF179R99	
147	679	9.94	11	1.65			4.1	31524	356	128	1.2		
160	625	9.15	11	1.80			4.9	26122	295	128	1.4		
177	563	8.23	11	1.95			6.4	20278	229	114	0.85	GR169R109	4P
204	488	7.14	10	2.10			7.3	17710	200	114	1.00	GRF169R109	
228	437	6.39	10	2.20			8.6	14965	169	114	1.20		
275	363	5.31	9.4	2.30			6.4	20101	227	114	0.90	GR169R109	4P
134	744	10.88	4.0	0.85			7.4	17533	198	114	1.00	GRF169R109	
151	659	9.64	4.8	0.90	GR79	4P	4.1	33162	177.89	128	1.00	GR179	8P
189	529	7.74	4.4	1.10	GRF79		4.7	28888	154.96	128	1.15	GRF179	
215	464	6.79	5.0	1.15			5.3	25596	137.30	128	1.30		
244	409	5.99	5.4	1.25			5.0	27229	194.08	128	1.25		
275	363	5.31	5.8	1.30			5.5	24957	177.89	128	1.35	GR179	6P
224	457	6.52	16	2.45			6.3	21740	154.96	128	1.50	GRF179	
249	412	5.87	12	3.20	GRX139	4P	7.1	19263	137.30	128	1.70		
277	370	5.28	12	3.65	GRXF139								
339	302	4.31	10	3.85									
372	276	3.93	6.0	4.80									
429	239	3.40	6.0	5.60									

**选型参数表
(恒功率)**
**Selection Table
(Constant Power)**

n_a [r/min]	M_a [N.m]	i	F_{Ra} [kN]	f_B	机型号 Type size	极数 Pole	n_a [r/min]	M_a [N.m]	i	F_{Ra} [kN]	f_B	机型号 Type size	极数 Pole																																																																																																																																																																																																																																																																																																																																																																																																																																																																																																																																																																														
15kW							15kW																																																																																																																																																																																																																																																																																																																																																																																																																																																																																																																																																																																				
7.5	18090	194.08	128	1.85	GR179 GRF179	4P	53	2571	27.58	16	1.00	GR99 GRF99	4P																																																																																																																																																																																																																																																																																																																																																																																																																																																																																																																																																																														
8.2	16581	177.89	128	2.05			9.4	14444	154.96	128	2.25			10.6	12798	137.30	128	2.60	6.3	21475	153.07	114	0.80	GR169 GRF169	6P	58	2333	25.03	15	1.15	GR99 GRF99	4P	6.9	19639	139.98	114	0.85	8.0	17090	121.81	114	1.00	9.0	15080	107.49	114	1.15	6.4	21411	229.71	114	0.80	7.8	17424	186.93	114	1.00	9.5	14268	153.07	114	1.20	10	13048	139.98	114	1.30	12	11354	121.81	114	1.50	14	10019	107.49	114	1.70	16	8686	93.19	114	1.95	18	7728	82.91	114	2.20	20	6870	73.70	114	2.50	22	6282	67.40	114	2.70	8.9	15336	109.31	33	0.80	GR149 GRF149	6P	85	1599	17.15	11	0.85	GR89 GRF89	4P	10	13272	94.60	57	0.95	12	11711	83.47	61	1.05	13	10114	72.09	63	1.20	14	9398	66.99	64	1.30	8.9	15222	163.31	34	0.80	9.9	13694	146.91	54	0.90	12	11172	119.86	62	1.10	13	10189	109.31	63	1.20	15	8818	94.60	65	1.40	17	7780	83.47	66	1.60	21	6720	72.09	68	1.85	22	6244	66.99	68	2.00	24	5694	61.09	68	2.20	28	4928	52.87	69	2.50	31	4348	46.65	69	2.80	36	3755	40.29	69	3.30	41	3322	35.64	69	3.70	14	9619	103.20	29	0.80	GR149 GRF149	4P	16	8268	88.70	48	0.90	18	7542	80.91	51	1.00	20	6850	73.49	52	1.10	22	6077	65.20	54	1.25	25	5515	59.17	54	1.40	29	4741	50.86	55	1.60	33	4138	44.39	56	1.85	39	3509	37.65	57	2.20	44	3068	32.91	57	2.50	52	2594	27.83	57	2.80	61	2248	24.12	57	3.20	66	2051	22.00	57	3.50	77	1775	19.04	57	4.00	31	4440	47.63	23	0.90	GR139 GRF139	4P	36	3763	40.37	23	1.10	41	3287	35.26	22	1.25	50	2749	29.49	21	1.50	47	2868	30.77	22	1.40	GR139 GRF139	4P	53	2571	27.58	21	1.60	59	2321	24.90	21	1.75	65	2108	22.62	20	1.95	73	1871	20.07	20	2.20	80	1697	18.21	19	2.40	93	1459	15.65	19	2.80	107	1273	13.66	18	3.20	224	624	6.52	16	1.80	GR109 GRF109	4P	249	562	5.87	12	2.35	277	505	5.28	12	2.65	339	412	4.31	10	2.80	372	376	3.93	6.0	3.50	429	325	3.40	5.9	4.15	487	287	3.00	5.9	4.90	564	248	2.59	6.5	5.20	638	219	2.29	6.1	5.35	281	497	5.19	8.0	1.35	314	445	4.65	7.8	1.50	348	402	4.20	7.7	2.00	383	365	3.81	7.5	2.20	432	323	3.38	7.3	2.50	476	294	3.07	7.2	2.80	553	253	2.64	6.9	3.20	635	220	2.30	6.7	3.70	749	187	1.95	6.4	4.00	854	164	1.71	6.1	4.20	1014	138	1.44	5.9	4.60	323	432	4.52	6.3	1.35	GR109 GRF109	4P	361	387	4.04	6.2	1.50	401	348	3.64	6.1	1.65	442	316	3.30	6.0	1.85	500	279	2.92	5.8	2.10	553	253	2.64	5.7	2.30	652	214	2.24	5.4	2.70	745	188	1.96	5.3	3.00	890	157	1.64	5.0	3.20	1028	136	1.42	4.8	3.30	420	333	3.48	4.0	1.20	472	296	3.09	4.3	1.35	529	264	2.76	4.2	1.50	589	237	2.48	4.1	1.65	679	206	2.15	4.0	1.80	756	185	1.93	3.9	1.90	913	153	1.60	3.8	2.00	1050	133	1.39	3.6	2.10																																													
9.4	14444	154.96	128	2.25			10.6	12798	137.30	128	2.60			6.3	21475	153.07	114	0.80	GR169 GRF169	6P	58	2333	25.03			15	1.15	GR99 GRF99	4P	6.9			19639	139.98	114	0.85	8.0	17090	121.81	114	1.00	9.0	15080	107.49	114	1.15	6.4	21411	229.71	114	0.80	7.8	17424	186.93	114	1.00	9.5	14268	153.07	114	1.20	10	13048	139.98	114	1.30	12	11354	121.81	114	1.50	14	10019	107.49	114	1.70	16	8686	93.19	114	1.95	18	7728	82.91	114	2.20	20	6870	73.70	114	2.50	22	6282	67.40	114	2.70	8.9	15336	109.31	33	0.80	GR149 GRF149			6P	85	1599	17.15	11			0.85	GR89 GRF89	4P	10	13272	94.60	57	0.95	12	11711	83.47	61	1.05	13	10114	72.09	63	1.20	14	9398	66.99	64	1.30	8.9	15222	163.31	34	0.80	9.9	13694	146.91	54	0.90	12	11172	119.86	62	1.10	13	10189	109.31	63	1.20	15	8818	94.60	65	1.40	17	7780	83.47	66	1.60	21	6720	72.09	68	1.85	22	6244	66.99	68	2.00	24	5694	61.09	68	2.20	28	4928	52.87	69	2.50	31	4348	46.65	69	2.80	36	3755	40.29	69	3.30	41	3322	35.64	69	3.70	14	9619			103.20	29	0.80	GR149 GRF149	4P	16	8268	88.70	48	0.90	18	7542	80.91	51	1.00	20	6850	73.49	52	1.10	22	6077	65.20	54	1.25	25	5515	59.17	54	1.40	29	4741	50.86	55	1.60	33	4138	44.39	56	1.85	39	3509	37.65	57	2.20	44	3068	32.91	57	2.50	52	2594	27.83	57	2.80	61	2248	24.12	57	3.20	66	2051	22.00	57	3.50	77	1775	19.04	57	4.00			31	4440	47.63	23	0.90	GR139 GRF139	4P	36	3763	40.37	23	1.10	41	3287	35.26	22	1.25	50	2749	29.49			21	1.50	47	2868	30.77	22	1.40	GR139 GRF139	4P	53	2571	27.58	21	1.60	59	2321	24.90	21	1.75	65	2108	22.62	20	1.95	73	1871	20.07	20	2.20	80	1697	18.21	19	2.40	93	1459	15.65	19	2.80	107			1273	13.66	18	3.20	224	624	6.52	16	1.80	GR109 GRF109	4P	249	562	5.87	12	2.35	277	505	5.28	12	2.65	339	412	4.31	10	2.80	372	376	3.93	6.0	3.50	429	325	3.40	5.9	4.15	487	287	3.00	5.9	4.90	564	248	2.59	6.5	5.20	638	219	2.29	6.1	5.35	281	497	5.19	8.0	1.35	314	445	4.65	7.8	1.50	348	402	4.20	7.7	2.00	383	365	3.81	7.5	2.20	432	323	3.38	7.3	2.50	476	294	3.07	7.2	2.80	553	253	2.64	6.9	3.20	635	220	2.30	6.7	3.70	749	187	1.95	6.4	4.00	854	164	1.71	6.1			4.20	1014	138	1.44	5.9	4.60	323	432	4.52	6.3	1.35	GR109 GRF109	4P	361	387	4.04	6.2	1.50	401	348	3.64	6.1	1.65	442	316	3.30	6.0	1.85	500	279	2.92	5.8	2.10	553	253	2.64	5.7	2.30	652	214	2.24	5.4	2.70	745	188	1.96	5.3	3.00	890	157	1.64	5.0	3.20	1028	136	1.42	4.8	3.30	420	333	3.48	4.0	1.20	472	296	3.09	4.3	1.35	529	264	2.76	4.2	1.50	589	237	2.48	4.1	1.65	679	206	2.15	4.0	1.80	756	185	1.93	3.9	1.90	913	153	1.60	3.8	2.00	1050	133	1.39	3.6	2.10																																
10.6	12798	137.30	128	2.60			6.3	21475	153.07	114	0.80			GR169 GRF169	6P	58	2333	25.03			15	1.15	GR99 GRF99			4P	6.9			19639			139.98	114	0.85	8.0	17090	121.81	114	1.00	9.0	15080	107.49	114	1.15	6.4	21411	229.71	114	0.80	7.8	17424	186.93	114	1.00	9.5	14268	153.07	114	1.20	10	13048	139.98	114	1.30	12	11354	121.81	114	1.50	14	10019	107.49	114	1.70	16	8686	93.19	114	1.95	18	7728	82.91	114	2.20	20	6870	73.70	114	2.50	22	6282	67.40	114	2.70	8.9	15336	109.31	33	0.80	GR149 GRF149					6P	85	1599	17.15			11			0.85	GR89 GRF89	4P	10	13272	94.60	57	0.95	12	11711	83.47	61	1.05	13	10114	72.09	63	1.20	14	9398	66.99	64	1.30	8.9	15222	163.31	34	0.80	9.9	13694	146.91	54	0.90	12	11172	119.86	62	1.10	13	10189	109.31	63	1.20	15	8818	94.60	65	1.40	17	7780	83.47	66	1.60	21	6720	72.09	68	1.85	22	6244	66.99	68	2.00	24	5694	61.09	68	2.20	28	4928	52.87	69	2.50	31	4348	46.65	69	2.80	36	3755	40.29	69	3.30	41	3322	35.64	69			3.70	14	9619			103.20	29	0.80	GR149 GRF149	4P	16	8268	88.70	48	0.90	18	7542	80.91	51	1.00	20	6850	73.49	52	1.10	22	6077	65.20	54	1.25	25	5515	59.17	54	1.40	29	4741	50.86	55	1.60	33	4138	44.39	56	1.85	39	3509	37.65	57	2.20	44	3068	32.91	57	2.50	52	2594	27.83	57	2.80	61	2248	24.12	57	3.20	66	2051	22.00	57	3.50			77	1775	19.04	57	4.00			31	4440	47.63	23	0.90	GR139 GRF139	4P	36	3763	40.37	23	1.10	41			3287	35.26	22	1.25	50	2749	29.49			21	1.50	47	2868	30.77	22	1.40	GR139 GRF139	4P	53	2571	27.58	21	1.60	59	2321	24.90	21	1.75	65	2108	22.62	20	1.95	73	1871	20.07	20	2.20	80	1697			18.21	19	2.40	93	1459	15.65	19	2.80	107			1273	13.66	18	3.20	224	624	6.52	16	1.80	GR109 GRF109	4P	249	562	5.87	12	2.35	277	505	5.28	12	2.65	339	412	4.31	10	2.80	372	376	3.93	6.0	3.50	429	325	3.40	5.9	4.15	487	287	3.00	5.9	4.90	564	248	2.59	6.5	5.20	638	219	2.29	6.1	5.35	281	497	5.19	8.0	1.35	314	445	4.65	7.8	1.50	348	402	4.20	7.7	2.00	383	365	3.81	7.5	2.20	432	323	3.38	7.3	2.50	476	294	3.07	7.2	2.80	553	253	2.64	6.9	3.20	635	220	2.30			6.7	3.70	749	187	1.95	6.4	4.00	854	164	1.71	6.1			4.20	1014	138	1.44	5.9	4.60	323	432	4.52	6.3	1.35	GR109 GRF109	4P	361	387	4.04	6.2	1.50	401	348	3.64	6.1	1.65	442	316	3.30	6.0	1.85	500	279	2.92	5.8	2.10	553	253	2.64	5.7	2.30	652	214	2.24	5.4	2.70	745	188	1.96	5.3	3.00	890	157	1.64	5.0	3.20	1028	136	1.42	4.8	3.30	420	333	3.48	4.0	1.20	472	296	3.09	4.3	1.35	529	264	2.76	4.2	1.50	589	237	2.48	4.1	1.65	679	206	2.15	4.0	1.80	756	185	1.93	3.9	1.90	913	153	1.60	3.8	2.00	1050	133	1.39	3.6	2.10																			
6.3	21475	153.07	114	0.80	GR169 GRF169	6P	58	2333	25.03	15	1.15	GR99 GRF99	4P																																																																																																																																																																																																																																																																																																																																																																																																																																																																																																																																																																														
6.9	19639	139.98	114	0.85			8.0	17090	121.81	114	1.00					9.0	15080	107.49			114	1.15					6.4			21411			229.71	114	0.80	7.8	17424	186.93	114	1.00	9.5	14268	153.07	114	1.20	10	13048	139.98	114	1.30	12	11354	121.81	114	1.50	14	10019	107.49	114	1.70	16	8686	93.19	114	1.95	18	7728	82.91	114	2.20	20	6870	73.70	114	2.50	22	6282	67.40	114	2.70	8.9	15336	109.31	33	0.80	GR149 GRF149	6P	85	1599	17.15	11	0.85	GR89 GRF89	4P	10	13272	94.60	57	0.95	12							11711	83.47	61			1.05			13			10114	72.09	63	1.20	14	9398	66.99	64	1.30	8.9	15222	163.31	34	0.80	9.9	13694	146.91	54	0.90	12	11172	119.86	62	1.10	13	10189	109.31	63	1.20	15	8818	94.60	65	1.40	17	7780	83.47	66	1.60	21	6720	72.09	68	1.85	22	6244	66.99	68	2.00	24	5694	61.09	68	2.20	28	4928	52.87	69	2.50	31	4348	46.65	69	2.80	36	3755	40.29	69	3.30	41	3322	35.64	69	3.70	14	9619	103.20	29	0.80	GR149 GRF149	4P	16	8268	88.70			48	0.90	18			7542	80.91	51			1.00	20	6850	73.49	52	1.10	22	6077	65.20	54	1.25	25	5515	59.17	54	1.40	29	4741	50.86	55	1.60	33	4138	44.39	56	1.85	39	3509	37.65	57	2.20	44	3068	32.91	57	2.50	52	2594	27.83	57	2.80	61	2248	24.12	57	3.20	66	2051	22.00	57	3.50	77	1775	19.04	57	4.00	31	4440	47.63	23	0.90	GR139 GRF139	4P	36	3763	40.37	23			1.10	41	3287	35.26	22			1.25	50	2749	29.49	21	1.50			47	2868	30.77	22	1.40	GR139 GRF139	4P			53	2571	27.58	21	1.60	59	2321			24.90	21	1.75	65	2108	22.62	20	1.95	73	1871	20.07	20	2.20	80	1697	18.21	19	2.40	93	1459	15.65	19			2.80	107	1273	13.66	18	3.20	224	624	6.52			16	1.80	GR109 GRF109	4P	249	562	5.87	12	2.35			277	505	5.28	12	2.65	339	412	4.31	10	2.80	372	376	3.93	6.0	3.50	429	325	3.40	5.9	4.15	487	287	3.00	5.9	4.90	564	248	2.59	6.5	5.20	638	219	2.29	6.1	5.35	281	497	5.19	8.0	1.35	314	445	4.65	7.8	1.50	348	402	4.20	7.7	2.00	383	365	3.81	7.5	2.20	432	323	3.38	7.3	2.50	476	294	3.07	7.2	2.80	553	253	2.64	6.9	3.20	635	220	2.30	6.7	3.70	749	187	1.95			6.4	4.00	854	164	1.71	6.1	4.20	1014	138	1.44	5.9			4.60	323	432	4.52	6.3	1.35	GR109 GRF109	4P	361	387	4.04			6.2	1.50	401	348	3.64	6.1	1.65	442	316	3.30	6.0	1.85	500	279	2.92	5.8	2.10	553	253	2.64	5.7	2.30	652	214	2.24	5.4	2.70	745	188	1.96	5.3	3.00	890	157	1.64	5.0	3.20	1028	136	1.42	4.8	3.30	420	333	3.48	4.0	1.20	472	296	3.09	4.3	1.35	529	264	2.76	4.2	1.50	589	237	2.48	4.1	1.65	679	206	2.15	4.0	1.80	756	185	1.93	3.9	1.90	913	153	1.60	3.8	2.00	1050	133	1.39	3.6	2.10																						
8.0	17090	121.81	114	1.00			9.0	15080	107.49	114	1.15					6.4	21411	229.71			114	0.80					7.8			17424			186.93	114	1.00	9.5	14268	153.07	114	1.20	10	13048	139.98	114	1.30	12	11354	121.81	114	1.50	14	10019	107.49	114	1.70	16	8686	93.19	114	1.95	18	7728	82.91	114	2.20	20	6870	73.70	114	2.50	22	6282	67.40	114	2.70	8.9	15336	109.31	33	0.80	GR149 GRF149	6P	85	1599	17.15			11	0.85	GR89 GRF89	4P	10			13272	94.60	57	0.95	12	11711			83.47	61			1.05	13	10114			72.09			63			1.20	14	9398	66.99	64	1.30	8.9	15222	163.31	34	0.80	9.9	13694	146.91	54	0.90	12	11172	119.86	62	1.10	13	10189	109.31	63	1.20	15	8818	94.60	65	1.40	17	7780	83.47	66	1.60	21	6720	72.09	68	1.85	22	6244	66.99	68	2.00	24	5694	61.09	68	2.20	28	4928	52.87	69	2.50	31	4348	46.65	69	2.80	36	3755	40.29	69	3.30	41	3322	35.64	69	3.70	14	9619	103.20	29	0.80	GR149 GRF149	4P	16			8268	88.70	48			0.90	18	7542			80.91	51	1.00			20	6850	73.49	52	1.10	22	6077	65.20	54	1.25	25	5515	59.17	54	1.40	29	4741	50.86	55	1.60	33	4138	44.39	56	1.85	39	3509	37.65	57	2.20	44	3068	32.91	57	2.50	52	2594	27.83	57	2.80	61	2248	24.12	57	3.20	66	2051	22.00	57	3.50	77	1775	19.04	57	4.00	31	4440	47.63	23	0.90	GR139 GRF139			4P	36	3763	40.37	23	1.10	41	3287	35.26	22	1.25			50	2749	29.49	21	1.50	47			2868	30.77	22	1.40	GR139 GRF139					4P	53	2571	27.58	21	1.60	59			2321	24.90	21	1.75	65	2108	22.62	20	1.95	73	1871	20.07	20	2.20	80	1697	18.21	19	2.40	93	1459	15.65			19	2.80	107	1273	13.66	18	3.20	224	624			6.52	16			1.80	GR109 GRF109	4P	249	562			5.87	12	2.35	277	505	5.28	12	2.65	339	412	4.31	10	2.80	372	376	3.93	6.0	3.50	429	325	3.40	5.9	4.15	487	287	3.00	5.9	4.90	564	248	2.59	6.5	5.20	638	219	2.29	6.1	5.35	281	497	5.19	8.0	1.35	314	445	4.65	7.8	1.50	348	402	4.20	7.7	2.00	383	365	3.81	7.5	2.20	432	323	3.38	7.3	2.50	476	294	3.07	7.2	2.80	553	253	2.64	6.9	3.20	635	220	2.30	6.7	3.70			749	187	1.95	6.4	4.00	854	164	1.71	6.1	4.20	1014			138	1.44	5.9	4.60	323	432			4.52	6.3	1.35			GR109 GRF109	4P	361	387	4.04	6.2	1.50	401	348	3.64	6.1	1.65	442	316	3.30	6.0	1.85	500	279	2.92	5.8	2.10	553	253	2.64	5.7	2.30	652	214	2.24	5.4	2.70	745	188	1.96	5.3	3.00	890	157	1.64	5.0	3.20	1028	136	1.42	4.8	3.30	420	333	3.48	4.0	1.20	472	296	3.09	4.3	1.35	529	264	2.76	4.2	1.50	589	237	2.48	4.1	1.65	679	206	2.15	4.0	1.80	756	185	1.93	3.9	1.90	913	153	1.60	3.8	2.00	1050	133	1.39	3.6	2.10																	
9.0	15080	107.49	114	1.15			6.4	21411	229.71	114	0.80					7.8	17424	186.93			114	1.00					9.5			14268			153.07	114	1.20	10	13048	139.98	114	1.30	12	11354	121.81	114	1.50	14	10019	107.49	114	1.70	16	8686	93.19	114	1.95	18	7728	82.91	114	2.20	20	6870	73.70	114	2.50	22	6282	67.40	114	2.70	8.9	15336	109.31	33	0.80	GR149 GRF149	6P	85	1599	17.15			11	0.85	GR89 GRF89			4P	10			13272			94.60	57	0.95	12	11711	83.47		61	1.05	13	10114		72.09	63	1.20			14			9398			66.99	64	1.30	8.9	15222	163.31	34	0.80	9.9	13694	146.91	54	0.90	12	11172	119.86	62	1.10	13	10189	109.31	63	1.20	15	8818	94.60	65	1.40	17	7780	83.47	66	1.60	21	6720	72.09	68	1.85	22	6244	66.99	68	2.00	24	5694	61.09	68	2.20	28	4928	52.87	69	2.50	31	4348	46.65	69	2.80	36	3755	40.29	69	3.30	41	3322	35.64	69	3.70	14	9619	103.20	29	0.80	GR149 GRF149	4P	16			8268			88.70	48	0.90			18	7542	80.91			51	1.00	20			6850	73.49	52	1.10	22	6077	65.20	54	1.25	25	5515	59.17	54	1.40	29	4741	50.86	55	1.60	33	4138	44.39	56	1.85	39	3509	37.65	57	2.20	44	3068	32.91	57	2.50	52	2594	27.83	57	2.80	61	2248	24.12	57	3.20	66	2051	22.00	57	3.50	77	1775	19.04	57	4.00	31	4440	47.63	23	0.90	GR139 GRF139					4P	36	3763	40.37	23	1.10	41	3287	35.26	22	1.25	50	2749	29.49	21	1.50	47	2868			30.77	22	1.40	GR139 GRF139							4P	53	2571	27.58	21	1.60			59	2321	24.90	21	1.75	65	2108	22.62	20	1.95	73	1871	20.07	20	2.20	80	1697	18.21	19	2.40	93	1459			15.65	19	2.80	107	1273	13.66	18	3.20	224			624	6.52			16			1.80	GR109 GRF109			4P	249	562	5.87	12	2.35	277	505	5.28	12	2.65	339	412	4.31	10	2.80	372	376	3.93	6.0	3.50	429	325	3.40	5.9	4.15	487	287	3.00	5.9	4.90	564	248	2.59	6.5	5.20	638	219	2.29	6.1	5.35	281	497	5.19	8.0	1.35	314	445	4.65	7.8	1.50	348	402	4.20	7.7	2.00	383	365	3.81	7.5	2.20	432	323	3.38	7.3	2.50	476	294	3.07	7.2	2.80	553	253	2.64	6.9	3.20	635	220			2.30	6.7	3.70	749	187	1.95	6.4	4.00	854	164	1.71			6.1	4.20	1014	138	1.44	5.9			4.60	323	432					4.52	6.3	1.35	GR109 GRF109	4P	361	387	4.04	6.2	1.50	401	348	3.64	6.1	1.65	442	316	3.30	6.0	1.85	500	279	2.92	5.8	2.10	553	253	2.64	5.7	2.30	652	214	2.24	5.4	2.70	745	188	1.96	5.3	3.00	890	157	1.64	5.0	3.20	1028	136	1.42	4.8	3.30	420	333	3.48	4.0	1.20	472	296	3.09	4.3	1.35	529	264	2.76	4.2	1.50	589	237	2.48	4.1	1.65	679	206	2.15	4.0	1.80	756	185	1.93	3.9	1.90	913	153	1.60	3.8	2.00	1050	133	1.39	3.6	2.10												
6.4	21411	229.71	114	0.80			7.8	17424	186.93	114	1.00					9.5	14268	153.07			114	1.20					10			13048			139.98	114	1.30	12	11354	121.81	114	1.50	14	10019	107.49	114	1.70	16	8686	93.19	114	1.95	18	7728	82.91	114	2.20	20	6870	73.70	114	2.50	22	6282	67.40	114	2.70	8.9	15336	109.31	33	0.80	GR149 GRF149	6P	85	1599	17.15			11	0.85	GR89 GRF89			4P	10					13272			94.60			57	0.95	12	11711	83.47	61	1.05	13	10114	72.09	63	1.20	14	9398	66.99			64			1.30			8.9	15222	163.31	34	0.80	9.9	13694	146.91	54	0.90	12	11172	119.86	62	1.10	13	10189	109.31	63	1.20	15	8818	94.60	65	1.40	17	7780	83.47	66	1.60	21	6720	72.09	68	1.85	22	6244	66.99	68	2.00	24	5694	61.09	68	2.20	28	4928	52.87	69	2.50	31	4348	46.65	69	2.80	36	3755	40.29	69	3.30	41	3322	35.64	69	3.70	14	9619	103.20	29	0.80	GR149 GRF149	4P	16			8268			88.70			48	0.90	18			7542	80.91	51			1.00	20	6850			73.49	52	1.10	22	6077	65.20	54	1.25	25	5515	59.17	54	1.40	29	4741	50.86	55	1.60	33	4138	44.39	56	1.85	39	3509	37.65	57	2.20	44	3068	32.91	57	2.50	52	2594	27.83	57	2.80	61	2248	24.12	57	3.20	66	2051	22.00	57	3.50	77	1775	19.04	57	4.00	31	4440	47.63	23	0.90	GR139 GRF139							4P	36	3763	40.37	23	1.10	41	3287	35.26	22	1.25	50	2749	29.49	21	1.50	47			2868	30.77	22									1.40	GR139 GRF139	4P	53	2571			27.58	21	1.60	59	2321	24.90	21	1.75	65	2108	22.62	20	1.95	73	1871	20.07	20	2.20	80	1697	18.21	19			2.40	93	1459	15.65	19	2.80	107	1273	13.66			18	3.20			224			624					6.52	16	1.80	GR109 GRF109	4P	249	562	5.87	12	2.35	277	505	5.28	12	2.65	339	412	4.31	10	2.80	372	376	3.93	6.0	3.50	429	325	3.40	5.9	4.15	487	287	3.00	5.9	4.90	564	248	2.59	6.5	5.20	638	219	2.29	6.1	5.35	281	497	5.19	8.0	1.35	314	445	4.65	7.8	1.50	348	402	4.20	7.7	2.00	383	365	3.81	7.5	2.20	432	323	3.38	7.3	2.50	476	294	3.07	7.2	2.80	553	253			2.64	6.9	3.20	635	220	2.30	6.7	3.70	749	187	1.95			6.4	4.00	854	164	1.71	6.1			4.20	1014	138					1.44	5.9	4.60			323	432	4.52	6.3	1.35	GR109 GRF109	4P	361	387	4.04	6.2	1.50	401	348	3.64	6.1	1.65	442	316	3.30	6.0	1.85	500	279	2.92	5.8	2.10	553	253	2.64	5.7	2.30	652	214	2.24	5.4	2.70	745	188	1.96	5.3	3.00	890	157	1.64	5.0	3.20	1028	136	1.42	4.8	3.30	420	333	3.48	4.0	1.20	472	296	3.09	4.3	1.35	529	264	2.76	4.2	1.50	589	237	2.48	4.1	1.65	679	206	2.15	4.0	1.80	756	185	1.93	3.9	1.90	913	153	1.60	3.8	2.00	1050	133	1.39	3.6	2.10					
7.8	17424	186.93	114	1.00			9.5	14268	153.07	114	1.20					10	13048	139.98			114	1.30		12	11354		121.81			114			1.50	14	10019	107.49	114	1.70	16	8686	93.19	114	1.95	18	7728	82.91	114	2.20	20	6870	73.70	114	2.50	22	6282	67.40	114	2.70	8.9	15336	109.31	33	0.80	GR149 GRF149	6P	85	1599	17.15	11	0.85			GR89 GRF89	4P	10			13272	94.60					57					0.95			12			11711	83.47	61	1.05	13	10114	72.09	63	1.20	14	9398	66.99	64	1.30	8.9			15222			163.31			34	0.80	9.9	13694	146.91	54	0.90	12	11172	119.86	62	1.10	13	10189	109.31	63	1.20	15	8818	94.60	65	1.40	17	7780	83.47	66	1.60	21	6720	72.09	68	1.85	22	6244	66.99	68	2.00	24	5694	61.09	68	2.20	28	4928	52.87	69	2.50	31	4348	46.65	69	2.80	36	3755	40.29	69	3.30	41	3322	35.64	69	3.70	14	9619	103.20	29	0.80	GR149 GRF149	4P	16			8268			88.70			48			0.90	18	7542			80.91	51	1.00			20	6850	73.49			52	1.10	22	6077	65.20	54	1.25	25	5515	59.17	54	1.40	29	4741	50.86	55	1.60	33	4138	44.39	56	1.85	39	3509	37.65	57	2.20	44	3068	32.91	57	2.50	52	2594	27.83	57	2.80	61	2248	24.12	57	3.20	66	2051	22.00	57	3.50	77	1775	19.04	57	4.00	31	4440	47.63	23	0.90	GR139 GRF139				4P	36				3763	40.37	23	1.10	41	3287	35.26	22	1.25	50	2749	29.49	21	1.50	47	2868			30.77	22	1.40									GR139 GRF139			4P	53			2571	27.58	21	1.60	59	2321	24.90	21	1.75	65	2108	22.62	20	1.95	73	1871	20.07	20	2.20	80	1697	18.21			19	2.40	93	1459	15.65	19	2.80	107	1273			13.66	18			3.20			224					624	6.52	16			1.80	GR109 GRF109	4P	249	562	5.87	12	2.35	277	505	5.28	12	2.65	339	412	4.31	10	2.80	372	376	3.93	6.0	3.50	429	325	3.40	5.9	4.15	487	287	3.00	5.9	4.90	564	248	2.59	6.5	5.20	638	219	2.29	6.1	5.35	281	497	5.19	8.0	1.35	314	445	4.65	7.8	1.50	348	402	4.20	7.7	2.00	383	365	3.81	7.5	2.20	432	323	3.38	7.3	2.50	476	294	3.07	7.2			2.80	553	253	2.64	6.9	3.20	635	220	2.30	6.7	3.70			749	187	1.95	6.4	4.00	854			164	1.71	6.1					4.20	1014	138			1.44	5.9	4.60	323	432			4.52	6.3	1.35	GR109 GRF109	4P	361	387	4.04	6.2	1.50	401	348	3.64	6.1	1.65	442	316	3.30	6.0	1.85	500	279	2.92	5.8	2.10	553	253	2.64	5.7	2.30	652	214	2.24	5.4	2.70	745	188	1.96	5.3	3.00	890	157	1.64	5.0	3.20	1028	136	1.42	4.8	3.30	420	333	3.48	4.0	1.20	472	296	3.09	4.3	1.35	529	264	2.76	4.2	1.50	589	237	2.48	4.1	1.65	679	206	2.15	4.0	1.80	756	185	1.93	3.9	1.90	913	153	1.60	3.8	2.00	1050	133	1.39	3.6	2.10
9.5	14268	153.07	114	1.20			10	13048	139.98	114	1.30					12	11354	121.81	114	1.50	14	10019		107.49	114		1.70			16			8686	93.19	114	1.95	18	7728	82.91	114	2.20	20	6870	73.70	114	2.50	22	6282	67.40	114	2.70	8.9	15336	109.31	33	0.80	GR149 GRF149	6P	85	1599	17.15	11	0.85			GR89 GRF89	4P	10	13272	94.60					57			0.95	12					11711		83.47	61		1.05			13			10114	72.09	63	1.20	14	9398	66.99	64	1.30	8.9	15222	163.31	34	0.80	9.9			13694			146.91			54	0.90	12	11172	119.86	62	1.10	13	10189	109.31	63	1.20	15	8818	94.60	65	1.40	17	7780	83.47	66	1.60	21	6720	72.09	68	1.85	22	6244	66.99	68	2.00	24	5694	61.09	68	2.20	28	4928	52.87	69	2.50	31	4348	46.65	69	2.80	36	3755	40.29	69	3.30	41	3322	35.64	69	3.70	14	9619	103.20	29	0.80	GR149 GRF149	4P	16	8268	88.70			48			0.90			18			7542			80.91	51	1.00			20	6850	73.49			52	1.10	22			6077	65.20	54	1.25	25	5515	59.17	54	1.40	29	4741	50.86	55	1.60	33	4138	44.39	56	1.85	39	3509	37.65	57	2.20	44	3068	32.91	57	2.50	52	2594	27.83	57	2.80	61	2248	24.12	57	3.20	66	2051	22.00	57	3.50	77	1775	19.04	57	4.00	31	4440	47.63	23	0.90	GR139 GRF139	4P	36				3763		40.37	23			1.10	41	3287	35.26	22	1.25	50	2749	29.49	21	1.50	47	2868	30.77	22	1.40			GR139 GRF139	4P	53													2571			27.58	21	1.60	59	2321	24.90	21	1.75	65	2108	22.62	20	1.95	73	1871	20.07	20	2.20	80	1697	18.21	19			2.40	93	1459	15.65	19	2.80	107	1273	13.66			18	3.20			224			624					6.52	16	1.80			GR109 GRF109			4P	249	562	5.87	12	2.35	277	505	5.28	12	2.65	339	412	4.31	10	2.80	372	376	3.93	6.0	3.50	429	325	3.40	5.9	4.15	487	287	3.00	5.9	4.90	564	248	2.59	6.5	5.20	638	219	2.29	6.1	5.35	281	497	5.19	8.0	1.35	314	445	4.65	7.8	1.50	348	402	4.20	7.7	2.00	383	365	3.81	7.5	2.20	432	323	3.38	7.3	2.50	476	294	3.07			7.2	2.80	553	253	2.64	6.9	3.20	635	220	2.30	6.7			3.70	749	187	1.95	6.4	4.00			854	164	1.71					6.1	4.20	1014			138	1.44	5.9	4.60	323			432	4.52	6.3			1.35	GR109 GRF109	4P	361	387	4.04	6.2	1.50	401	348	3.64	6.1	1.65	442	316	3.30	6.0	1.85	500	279	2.92	5.8	2.10	553	253	2.64	5.7	2.30	652	214	2.24	5.4	2.70	745	188	1.96	5.3	3.00	890	157	1.64	5.0	3.20	1028	136	1.42	4.8	3.30	420	333	3.48	4.0	1.20	472	296	3.09	4.3	1.35	529	264	2.76	4.2	1.50	589	237	2.48	4.1	1.65	679	206	2.15	4.0	1.80	756	185	1.93	3.9	1.90	913	153	1.60	3.8	2.00	1050	133
10	13048	139.98	114	1.30			12	11354	121.81	114	1.50			14	10019	107.49	114	1.70	16	8686	93.19	114		1.95	18		7728			82.91			114	2.20	20	6870	73.70	114	2.50	22	6282	67.40	114	2.70	8.9	15336	109.31	33	0.80	GR149 GRF149	6P	85	1599	17.15	11	0.85			GR89 GRF89	4P	10	13272	94.60					57	0.95	12					11711			83.47	61		1.05	13		10114		72.09	63		1.20			14			9398	66.99	64	1.30	8.9	15222	163.31	34	0.80	9.9	13694	146.91	54	0.90	12			11172			119.86			62	1.10	13	10189	109.31	63	1.20	15	8818	94.60	65	1.40	17	7780	83.47	66	1.60	21	6720	72.09	68	1.85	22	6244	66.99	68	2.00	24	5694	61.09	68	2.20	28	4928	52.87	69	2.50	31	4348	46.65	69	2.80	36	3755	40.29	69	3.30	41	3322	35.64	69	3.70	14	9619	103.20	29	0.80	GR149 GRF149	4P	16	8268	88.70			48	0.90	18			7542			80.91			51			1.00			20	6850	73.49			52	1.10	22			6077	65.20	54			1.25	25	5515	59.17	54	1.40	29	4741	50.86	55	1.60	33	4138	44.39	56	1.85	39	3509	37.65	57	2.20	44	3068	32.91	57	2.50	52	2594	27.83	57	2.80	61	2248	24.12	57	3.20	66	2051	22.00	57	3.50	77	1775	19.04	57	4.00	31	4440	47.63	23	0.90	GR139 GRF139	4P	36			3763			40.37	23		1.10	41	3287		35.26	22	1.25	50	2749	29.49	21	1.50	47	2868	30.77	22	1.40	GR139 GRF139	4P	53					2571													27.58			21	1.60	59	2321	24.90	21	1.75	65	2108	22.62	20	1.95	73	1871	20.07	20	2.20	80	1697	18.21	19	2.40			93	1459	15.65	19	2.80	107	1273	13.66	18			3.20	224			624			6.52					16	1.80	GR109 GRF109							4P	249	562	5.87	12	2.35	277	505	5.28	12	2.65	339	412	4.31	10	2.80	372	376	3.93	6.0	3.50	429	325	3.40	5.9	4.15	487	287	3.00	5.9	4.90	564	248	2.59	6.5	5.20	638	219	2.29	6.1	5.35	281	497	5.19	8.0	1.35	314	445	4.65	7.8	1.50	348	402	4.20	7.7	2.00	383	365	3.81	7.5	2.20	432	323	3.38	7.3	2.50	476	294			3.07	7.2	2.80	553	253	2.64	6.9	3.20	635	220	2.30			6.7	3.70	749	187	1.95	6.4			4.00	854	164					1.71	6.1	4.20			1014	138	1.44	5.9	4.60			323	432	4.52			6.3			1.35	GR109 GRF109	4P	361	387	4.04	6.2	1.50	401	348	3.64	6.1	1.65	442	316	3.30	6.0	1.85	500	279	2.92	5.8	2.10	553	253	2.64	5.7	2.30	652	214	2.24	5.4	2.70	745	188	1.96	5.3	3.00	890	157	1.64	5.0	3.20	1028	136	1.42	4.8	3.30	420	333	3.48	4.0	1.20	472	296	3.09	4.3	1.35	529	264	2.76	4.2	1.50	589	237	2.48	4.1	1.65	679	206	2.15	4.0	1.80	756	185	1.93	3.9	1.90	913	153	1.60	3.8
12	11354	121.81	114	1.50	14	10019	107.49	114	1.70	16	8686			93.19	114	1.95	18	7728	82.91	114	2.20	20		6870	73.70		114			2.50			22	6282	67.40	114	2.70	8.9	15336	109.31	33	0.80	GR149 GRF149	6P	85	1599	17.15	11	0.85			GR89 GRF89	4P	10	13272	94.60					57	0.95	12					11711	83.47	61					1.05	13	10114	72.09	63		1.20	14		9398		66.99	64		1.30			8.9			15222	163.31	34	0.80	9.9	13694	146.91	54	0.90	12	11172	119.86	62	1.10	13			10189			109.31			63	1.20	15	8818	94.60	65	1.40	17	7780	83.47	66	1.60	21	6720	72.09	68	1.85	22	6244	66.99	68	2.00	24	5694	61.09	68	2.20	28	4928	52.87	69	2.50	31	4348	46.65	69	2.80	36	3755	40.29	69	3.30	41	3322	35.64	69	3.70	14	9619	103.20	29	0.80	GR149 GRF149	4P	16	8268	88.70			48	0.90	18			7542	80.91	51			1.00			20			6850			73.49			52	1.10	22			6077	65.20	54			1.25	25	5515			59.17	54	1.40	29	4741	50.86	55	1.60	33	4138	44.39	56	1.85	39	3509	37.65	57	2.20	44	3068	32.91	57	2.50	52	2594	27.83	57	2.80	61	2248	24.12	57	3.20	66	2051	22.00	57	3.50	77	1775	19.04	57	4.00	31	4440	47.63	23	0.90	GR139 GRF139	4P	36			3763			40.37		23	1.10	41		3287	35.26	22	1.25	50	2749	29.49	21	1.50	47	2868	30.77	22	1.40	GR139 GRF139	4P	53			2571					27.58													21			1.60	59	2321	24.90	21	1.75	65	2108	22.62	20	1.95	73	1871	20.07	20	2.20	80	1697	18.21	19	2.40	93			1459	15.65	19	2.80	107	1273	13.66	18	3.20			224	624			6.52			16					1.80	GR109 GRF109									4P	249	562	5.87	12	2.35	277	505	5.28	12	2.65	339	412	4.31	10	2.80	372	376	3.93	6.0	3.50	429	325	3.40	5.9	4.15	487	287	3.00	5.9	4.90	564	248	2.59	6.5	5.20	638	219	2.29	6.1	5.35	281	497	5.19	8.0	1.35	314	445	4.65	7.8	1.50	348	402	4.20	7.7	2.00	383	365	3.81	7.5	2.20	432	323	3.38	7.3	2.50	476			294	3.07	7.2	2.80	553	253	2.64	6.9	3.20	635	220			2.30	6.7	3.70	749	187	1.95			6.4	4.00	854					164	1.71	6.1			4.20	1014	138	1.44	5.9			4.60	323	432			4.52			6.3			1.35	GR109 GRF109	4P	361	387	4.04	6.2	1.50	401	348	3.64	6.1	1.65	442	316	3.30	6.0	1.85	500	279	2.92	5.8	2.10	553	253	2.64	5.7	2.30	652	214	2.24	5.4	2.70	745	188	1.96	5.3	3.00	890	157	1.64	5.0	3.20	1028	136	1.42	4.8	3.30	420	333	3.48	4.0	1.20	472	296	3.09	4.3	1.35	529	264	2.76	4.2	1.50	589	237	2.48	4.1	1.65	679	206	2.15	4.0	1.80	756	185	1.93	3.9	1.90	913
14	10019	107.49	114	1.70	16	8686	93.19	114	1.95	18	7728			82.91	114	2.20	20	6870	73.70	114	2.50	22		6282	67.40		114			2.70	8.9	15336	109.31	33	0.80	GR149 GRF149	6P	85	1599	17.15	11	0.85			GR89 GRF89	4P	10	13272	94.60					57	0.95	12					11711	83.47	61					1.05	13	10114	72.09	63			1.20	14	9398	66.99	64		1.30	8.9		15222		163.31	34		0.80			9.9			13694	146.91	54	0.90	12	11172	119.86	62	1.10	13	10189	109.31	63	1.20	15			8818			94.60			65	1.40	17	7780	83.47	66	1.60	21	6720	72.09	68	1.85	22	6244	66.99	68	2.00	24	5694	61.09	68	2.20	28	4928	52.87	69	2.50	31	4348	46.65	69	2.80	36	3755	40.29	69	3.30	41	3322	35.64	69	3.70	14	9619	103.20	29	0.80	GR149 GRF149	4P	16	8268	88.70			48	0.90	18			7542	80.91	51			1.00	20	6850			73.49			52			1.10			22			6077	65.20	54	1.25	25	5515	59.17	54			1.40	29	4741			50.86	55	1.60	33	4138	44.39	56	1.85	39	3509	37.65	57	2.20	44	3068	32.91	57	2.50	52	2594	27.83	57	2.80	61	2248	24.12	57	3.20	66	2051	22.00	57	3.50	77	1775	19.04	57	4.00	31	4440	47.63	23	0.90	GR139 GRF139	4P	36	3763	40.37			23			1.10			41	3287	35.26	22	1.25	50	2749	29.49	21	1.50	47	2868	30.77	22	1.40	GR139 GRF139	4P	53	2571	27.58			21			1.60	59	2321			24.90													21			1.75	65	2108	22.62	20	1.95	73	1871	20.07	20	2.20	80	1697	18.21	19	2.40	93	1459	15.65	19	2.80	107	1273	13.66	18	3.20	224	624	6.52	16	1.80	GR109 GRF109	4P			249	562			5.87			12					2.35											277	505	5.28	12	2.65	339	412	4.31	10	2.80	372	376	3.93	6.0	3.50	429	325	3.40	5.9	4.15	487	287	3.00	5.9	4.90	564	248	2.59	6.5	5.20	638	219	2.29	6.1	5.35	281	497	5.19	8.0	1.35	314	445	4.65	7.8	1.50	348	402	4.20	7.7	2.00	383	365	3.81	7.5	2.20	432	323	3.38	7.3	2.50	476	294	3.07	7.2	2.80	553	253	2.64	6.9	3.20	635	220	2.30	6.7	3.70	749	187	1.95	6.4			4.00	854	164	1.71	6.1	4.20			1014	138	1.44					5.9	4.60	323			432	4.52	6.3	1.35	GR109 GRF109			4P	361	387			4.04			6.2			1.50			401	348	3.64	6.1	1.65	442	316	3.30	6.0	1.85	500	279	2.92	5.8	2.10	553	253	2.64	5.7	2.30	652	214	2.24	5.4	2.70	745	188	1.96	5.3	3.00	890	157	1.64	5.0	3.20	1028	136	1.42	4.8	3.30	420	333	3.48	4.0	1.20	472	296	3.09	4.3	1.35	529	264	2.76	4.2	1.50	589	237	2.48	4.1	1.65	679	206	2.15	4.0	1.80	756	185	1.93	3.9	1.90	913	153	1.60	3.8	2.00	1050
16	8686	93.19	114	1.95	18	7728	82.91	114	2.20	20	6870			73.70	114	2.50	22	6282	67.40	114	2.70	8.9		15336	109.31		33	0.80	GR149 GRF149	6P	85	1599	17.15	11	0.85			GR89 GRF89	4P	10	13272	94.60					57	0.95	12					11711	83.47	61					1.05	13	10114	72.09	63			1.20	14	9398	66.99	64			1.30	8.9	15222	163.31	34		0.80	9.9		13694		146.91	54		0.90			12			11172	119.86	62	1.10	13	10189	109.31	63	1.20	15	8818	94.60	65	1.40	17			7780			83.47			66	1.60	21	6720	72.09	68	1.85	22	6244	66.99	68	2.00	24	5694	61.09	68	2.20	28	4928	52.87	69	2.50	31	4348	46.65	69	2.80	36	3755	40.29	69	3.30	41	3322	35.64	69	3.70	14	9619	103.20	29	0.80	GR149 GRF149	4P	16	8268	88.70			48	0.90	18			7542	80.91	51			1.00	20	6850			73.49	52	1.10			22			6077			65.20			54			1.25	25	5515	59.17	54	1.40	29	4741	50.86	55	1.60	33	4138			44.39	56	1.85	39	3509	37.65	57	2.20	44	3068	32.91	57	2.50	52	2594	27.83	57	2.80	61	2248	24.12	57	3.20	66	2051	22.00	57	3.50	77	1775	19.04	57	4.00	31	4440	47.63	23	0.90	GR139 GRF139	4P	36	3763	40.37			23	1.10	41			3287			35.26	22	1.25	50	2749	29.49	21	1.50	47	2868	30.77	22	1.40	GR139 GRF139	4P	53	2571	27.58			21	1.60	59			2321			24.90	21	1.75			65					2108	22.62							20			1.95	73	1871	20.07	20	2.20	80	1697	18.21	19	2.40	93	1459	15.65	19	2.80	107	1273	13.66	18	3.20	224	624	6.52	16	1.80	GR109 GRF109	4P	249	562	5.87			12	2.35	277	505			5.28			12					2.65											339	412	4.31	10	2.80	372	376	3.93	6.0	3.50	429	325	3.40	5.9	4.15	487	287	3.00	5.9	4.90	564	248	2.59	6.5	5.20	638	219	2.29	6.1	5.35	281	497	5.19	8.0	1.35	314	445	4.65	7.8	1.50	348	402	4.20	7.7	2.00	383	365	3.81	7.5	2.20	432	323	3.38	7.3	2.50	476	294	3.07	7.2	2.80	553	253	2.64	6.9	3.20	635	220	2.30	6.7	3.70	749	187	1.95	6.4	4.00	854	164	1.71	6.1	4.20	1014	138	1.44	5.9	4.60	323	432			4.52	6.3	1.35					GR109 GRF109	4P	361			387	4.04	6.2	1.50					401	348			3.64			6.1			1.65			442	316	3.30	6.0	1.85	500	279	2.92	5.8	2.10	553	253	2.64	5.7	2.30	652	214	2.24	5.4	2.70	745	188	1.96	5.3	3.00	890	157	1.64	5.0	3.20	1028	136	1.42	4.8	3.30	420	333	3.48	4.0	1.20	472	296	3.09	4.3	1.35	529	264	2.76	4.2	1.50	589	237	2.48	4.1	1.65	679	206	2.15	4.0	1.80	756	185	1.93	3.9	1.90	913	153	1.60	3.8	2.00	1050	133	1.39	3.6	2.10	
18	7728	82.91	114	2.20	20	6870	73.70	114	2.50	22	6282			67.40	114	2.70	8.9	15336	109.31	33	0.80	GR149 GRF149	6P	85	1599	17.15	11	0.85			GR89 GRF89	4P	10	13272	94.60					57	0.95	12					11711	83.47	61					1.05	13	10114	72.09	63			1.20	14	9398	66.99	64			1.30	8.9	15222	163.31	34			0.80	9.9	13694	146.91	54		0.90	12		11172		119.86	62		1.10			13			10189	109.31	63	1.20	15	8818	94.60	65	1.40	17	7780	83.47	66	1.60	21			6720			72.09			68	1.85	22	6244	66.99	68	2.00	24	5694	61.09	68	2.20	28	4928	52.87	69	2.50	31	4348	46.65	69	2.80	36	3755	40.29	69	3.30	41	3322	35.64	69	3.70	14	9619	103.20	29	0.80	GR149 GRF149	4P	16	8268	88.70			48	0.90	18			7542	80.91	51			1.00	20	6850			73.49	52	1.10			22	6077	65.20			54			1.25			25			5515			59.17	54	1.40	29	4741	50.86	55	1.60	33	4138	44.39	56	1.85	39	3509	37.65	57	2.20	44	3068	32.91	57	2.50	52	2594	27.83	57	2.80	61	2248	24.12	57	3.20	66	2051	22.00	57	3.50	77	1775	19.04	57	4.00	31	4440	47.63	23	0.90	GR139 GRF139	4P	36	3763	40.37			23	1.10	41			3287	35.26	22			1.25	50	2749	29.49	21	1.50	47	2868	30.77	22	1.40	GR139 GRF139	4P	53	2571	27.58			21	1.60	59			2321	24.90	21			1.75			65	2108	22.62			20					1.95	73							1871	20.07	20	2.20	80	1697	18.21	19	2.40	93	1459	15.65	19	2.80	107	1273	13.66	18	3.20	224	624	6.52	16	1.80	GR109 GRF109	4P	249	562	5.87			12	2.35	277			505	5.28	12	2.65			339			412		4.31	10		2.80											372	376	3.93	6.0	3.50	429	325	3.40	5.9	4.15	487	287	3.00	5.9	4.90	564	248	2.59	6.5	5.20	638	219	2.29	6.1	5.35	281	497	5.19	8.0	1.35	314	445	4.65	7.8	1.50	348	402	4.20	7.7	2.00	383	365	3.81	7.5	2.20	432	323	3.38	7.3	2.50	476	294	3.07	7.2	2.80	553	253	2.64	6.9	3.20	635	220	2.30	6.7	3.70	749	187	1.95	6.4	4.00	854	164	1.71	6.1	4.20	1014	138	1.44	5.9	4.60	323	432	4.52	6.3	1.35	GR109 GRF109	4P			361	387	4.04	6.2	1.50					401			348	3.64	6.1	1.65					442	316			3.30			6.0			1.85			500	279	2.92	5.8	2.10	553	253	2.64	5.7	2.30	652	214	2.24	5.4	2.70	745	188	1.96	5.3	3.00	890	157	1.64	5.0	3.20	1028	136	1.42	4.8	3.30	420	333	3.48	4.0	1.20	472	296	3.09	4.3	1.35	529	264	2.76	4.2	1.50	589	237	2.48	4.1	1.65	679	206	2.15	4.0	1.80	756	185	1.93	3.9	1.90	913	153	1.60	3.8	2.00	1050	133	1.39	3.6	2.10						
20	6870	73.70	114	2.50	22	6282	67.40	114	2.70	8.9	15336	109.31	33	0.80	GR149 GRF149	6P	85	1599	17.15	11	0.85			GR89 GRF89	4P	10	13272	94.60					57	0.95	12					11711	83.47	61					1.05	13	10114	72.09	63			1.20	14	9398	66.99	64			1.30	8.9	15222	163.31	34			0.80	9.9	13694	146.91	54			0.90	12	11172	119.86	62		1.10	13		10189		109.31	63		1.20			15			8818	94.60	65	1.40	17	7780	83.47	66	1.60	21	6720	72.09	68	1.85	22			6244			66.99			68	2.00	24	5694	61.09	68	2.20	28	4928	52.87	69	2.50	31	4348	46.65	69	2.80	36	3755	40.29	69	3.30	41	3322	35.64	69	3.70	14	9619	103.20	29	0.80	GR149 GRF149	4P	16	8268	88.70			48	0.90	18			7542	80.91	51			1.00	20	6850			73.49	52	1.10			22	6077	65.20			54	1.25	25			5515			59.17			54			1.40			29	4741	50.86	55	1.60	33	4138	44.39	56	1.85	39	3509	37.65	57	2.20	44	3068	32.91	57	2.50	52	2594	27.83	57	2.80	61	2248	24.12	57	3.20	66	2051	22.00	57	3.50	77	1775	19.04	57	4.00	31	4440	47.63	23	0.90	GR139 GRF139	4P	36			3763	40.37	23			1.10	41	3287			35.26	22	1.25	50	2749	29.49	21	1.50	47	2868	30.77	22	1.40	GR139 GRF139	4P	53			2571	27.58	21			1.60	59	2321			24.90	21	1.75			65			2108	22.62	20			1.95					73	1871							20.07	20	2.20	80	1697	18.21	19	2.40	93	1459	15.65	19	2.80	107	1273	13.66	18	3.20	224	624	6.52	16	1.80	GR109 GRF109			4P	249	562			5.87	12	2.35			277	505	5.28	12			2.65			339		412	4.31		10											2.80	372	376	3.93	6.0	3.50	429	325	3.40	5.9	4.15	487	287	3.00	5.9	4.90	564	248	2.59	6.5	5.20	638	219	2.29	6.1	5.35	281	497	5.19	8.0	1.35	314	445	4.65	7.8	1.50	348	402	4.20	7.7	2.00	383	365	3.81	7.5	2.20	432	323	3.38	7.3	2.50	476	294	3.07	7.2	2.80	553	253	2.64	6.9	3.20	635	220	2.30	6.7	3.70	749	187	1.95	6.4	4.00	854	164	1.71	6.1	4.20	1014	138	1.44	5.9	4.60	323	432	4.52	6.3					1.35	GR109 GRF109	4P	361	387					4.04			6.2	1.50	401	348					3.64	6.1			1.65			442			316			3.30	6.0	1.85	500	279	2.92	5.8	2.10	553	253	2.64	5.7	2.30	652	214	2.24	5.4	2.70	745	188	1.96	5.3	3.00	890	157	1.64	5.0	3.20	1028	136	1.42	4.8	3.30	420	333	3.48	4.0	1.20	472	296	3.09	4.3	1.35	529	264	2.76	4.2	1.50	589	237	2.48	4.1	1.65	679	206	2.15	4.0	1.80	756	185	1.93	3.9	1.90	913	153	1.60	3.8	2.00	1050	133	1.39	3.6	2.10			
22	6282	67.40	114	2.70	8.9	15336	109.31	33	0.80	GR149 GRF149	6P	85	1599	17.15			11	0.85	GR89 GRF89	4P	10					13272	94.60	57					0.95	12	11711					83.47	61	1.05	13	10114			72.09	63	1.20	14	9398			66.99	64	1.30	8.9	15222			163.31	34	0.80	9.9	13694			146.91	54	0.90	12	11172			119.86	62	1.10	13	10189		109.31	63		1.20		15	8818		94.60			65			1.40	17	7780	83.47	66	1.60	21	6720	72.09	68	1.85	22	6244	66.99	68			2.00			24			5694	61.09	68	2.20	28	4928	52.87	69	2.50	31	4348	46.65	69	2.80	36	3755	40.29	69	3.30	41	3322	35.64	69	3.70	14	9619	103.20	29	0.80	GR149 GRF149	4P	16			8268	88.70	48			0.90	18	7542			80.91	51	1.00			20	6850	73.49			52	1.10	22			6077	65.20	54			1.25	25	5515			59.17			54			1.40			29	4741	50.86	55	1.60	33	4138	44.39	56	1.85	39	3509	37.65	57	2.20	44	3068	32.91	57	2.50	52	2594	27.83	57	2.80	61	2248	24.12	57	3.20	66	2051	22.00	57	3.50	77	1775	19.04	57	4.00	31	4440	47.63	23	0.90	GR139 GRF139	4P	36			3763			40.37	23	1.10			41	3287	35.26	22	1.25	50	2749	29.49	21	1.50	47	2868	30.77	22	1.40	GR139 GRF139	4P	53			2571			27.58	21	1.60			59	2321	24.90			21	1.75	65			2108			22.62	20	1.95			73			1871	20.07	20	2.20							80	1697	18.21	19	2.40	93	1459	15.65	19	2.80	107	1273	13.66	18	3.20	224	624	6.52	16	1.80	GR109 GRF109	4P	249					562	5.87			12	2.35	277			505	5.28	12	2.65	339	412	4.31			10		2.80	372		376											3.93	6.0	3.50	429	325	3.40	5.9	4.15	487	287	3.00	5.9	4.90	564	248	2.59	6.5	5.20	638	219	2.29	6.1	5.35	281	497	5.19	8.0	1.35	314	445	4.65	7.8	1.50	348	402	4.20	7.7	2.00	383	365	3.81	7.5	2.20	432	323	3.38	7.3	2.50	476	294	3.07	7.2	2.80	553	253	2.64	6.9	3.20	635	220	2.30	6.7	3.70	749	187	1.95	6.4	4.00	854	164	1.71	6.1	4.20	1014	138	1.44	5.9	4.60	323	432	4.52	6.3	1.35	GR109 GRF109	4P			361	387	4.04			6.2	1.50					401			348	3.64	6.1	1.65					442	316			3.30			6.0			1.85			500	279	2.92	5.8	2.10	553	253	2.64	5.7	2.30	652	214	2.24	5.4	2.70	745	188	1.96	5.3	3.00	890	157	1.64	5.0	3.20	1028	136	1.42	4.8	3.30	420	333	3.48	4.0	1.20	472	296	3.09	4.3	1.35	529	264	2.76	4.2	1.50	589	237	2.48	4.1	1.65	679	206	2.15	4.0	1.80	756	185	1.93	3.9	1.90	913	153	1.60	3.8	2.00	1050	133	1.39	3.6	2.10						
8.9	15336	109.31	33	0.80	GR149 GRF149	6P	85	1599	17.15			11	0.85	GR89 GRF89			4P																																																																																																																																																																																																																																																																																																																																																																																																																																																																																																																																																																										
10	13272	94.60	57	0.95			12	11711	83.47			61	1.05					13			10114					72.09	63	1.20	14	9398			66.99	64	1.30	8.9	15222			163.31	34	0.80	9.9	13694			146.91	54	0.90	12	11172			119.86	62	1.10	13	10189			109.31	63	1.20	15	8818			94.60	65	1.40	17	7780			83.47	66	1.60	21	6720		72.09	68		1.85		22	6244		66.99			68			2.00	24	5694	61.09	68	2.20	28	4928	52.87	69	2.50	31	4348	46.65	69	2.80	36	3755			40.29			69	3.30	41	3322	35.64	69	3.70	14	9619	103.20	29	0.80	GR149 GRF149	4P	16	8268	88.70	48	0.90	18	7542	80.91	51	1.00	20	6850	73.49	52	1.10			22			6077	65.20	54			1.25	25	5515			59.17	54	1.40			29	4741	50.86			55	1.60	33			4138	44.39	56			1.85	39	3509			37.65			57	2.20	44	3068	32.91	57	2.50	52	2594	27.83	57	2.80	61	2248	24.12	57	3.20	66	2051	22.00	57	3.50	77	1775	19.04	57	4.00	31	4440	47.63	23	0.90	GR139 GRF139	4P	36	3763	40.37	23	1.10	41	3287	35.26	22	1.25	50	2749	29.49	21	1.50	47	2868			30.77			22	1.40	GR139 GRF139	4P	53	2571	27.58	21	1.60	59	2321	24.90	21	1.75	65	2108	22.62	20	1.95	73	1871	20.07	20			2.20			80			1697	18.21	19			2.40	93	1459			15.65	19	2.80			107			1273	13.66	18			3.20	224	624	6.52	16	1.80	GR109 GRF109	4P	249					562	5.87	12	2.35	277	505	5.28	12	2.65	339	412	4.31	10	2.80	372	376	3.93	6.0	3.50	429			325					3.40	5.9			4.15	487	287			3.00	5.9	4.90	564	248	2.59	6.5	5.20	638	219	2.29	6.1	5.35	281	497											5.19	8.0	1.35	314	445	4.65	7.8	1.50	348	402	4.20	7.7	2.00	383	365	3.81	7.5	2.20	432	323	3.38	7.3	2.50	476	294	3.07	7.2	2.80	553	253	2.64	6.9	3.20	635	220	2.30	6.7	3.70	749	187	1.95	6.4	4.00	854	164	1.71	6.1	4.20	1014	138	1.44	5.9	4.60	323	432	4.52	6.3	1.35	GR109 GRF109	4P	361	387	4.04	6.2	1.50	401	348	3.64	6.1	1.65	442	316	3.30	6.0	1.85	500	279	2.92	5.8	2.10	553	253	2.64					5.7	2.30	652			214	2.24	5.4	2.70			745	188	1.96	5.3	3.00	890	157					1.64	5.0			3.20			1028			136			1.42	4.8	3.30	420	333	3.48	4.0	1.20	472	296	3.09	4.3	1.35	529	264	2.76	4.2	1.50	589	237	2.48	4.1	1.65	679	206	2.15	4.0	1.80	756	185	1.93	3.9	1.90	913	153	1.60	3.8	2.00	1050	133	1.39	3.6	2.10																																	
12	11711	83.47	61	1.05			13	10114	72.09			63	1.20					14			9398	66.99	64			1.30	8.9	15222	163.31	34			0.80	9.9	13694	146.91	54			0.90	12	11172	119.86	62			1.10	13	10189	109.31	63			1.20	15	8818	94.60	65			1.40	17	7780	83.47	66			1.60	21	6720	72.09	68			1.85	22	6244	66.99	68		2.00	24		5694		61.09	68		2.20			28			4928	52.87	69	2.50	31	4348	46.65	69	2.80	36	3755	40.29	69	3.30	41	3322	35.64	69	3.70	14	9619			103.20	29	0.80	GR149 GRF149	4P	16	8268	88.70	48	0.90	18	7542			80.91	51	1.00	20	6850	73.49	52	1.10	22	6077	65.20	54	1.25	25	5515			59.17			54	1.40	29			4741	50.86	55			1.60	33	4138			44.39	56	1.85			39	3509	37.65			57	2.20	44			3068	32.91	57			2.50	52	2594	27.83	57	2.80	61	2248	24.12	57	3.20	66	2051	22.00	57	3.50	77	1775	19.04	57	4.00	31	4440	47.63	23	0.90	GR139 GRF139	4P	36	3763	40.37	23	1.10	41	3287			35.26	22	1.25	50	2749	29.49	21	1.50	47	2868	30.77	22	1.40	GR139 GRF139	4P	53	2571			27.58	21	1.60	59	2321			24.90	21	1.75	65	2108	22.62	20	1.95	73	1871	20.07	20	2.20	80	1697	18.21	19	2.40	93			1459			15.65			19	2.80	107			1273	13.66	18			3.20	224	624			6.52			16	1.80	GR109 GRF109			4P	249	562	5.87	12	2.35			277		505	5.28		12	2.65	339	412	4.31	10	2.80	372	376	3.93	6.0	3.50	429	325	3.40	5.9	4.15	487	287	3.00			5.9					4.90	564			248	2.59	6.5			5.20	638	219	2.29	6.1	5.35	281	497	5.19	8.0	1.35	314	445	4.65	7.8			1.50	348							402	4.20	7.7	2.00	383	365	3.81	7.5	2.20	432	323	3.38	7.3	2.50	476	294	3.07	7.2	2.80	553	253	2.64	6.9	3.20	635	220	2.30	6.7	3.70	749	187	1.95	6.4	4.00	854	164	1.71	6.1	4.20	1014	138	1.44	5.9	4.60	323	432	4.52	6.3	1.35	GR109 GRF109	4P	361	387	4.04	6.2	1.50	401	348			3.64	6.1	1.65	442	316	3.30	6.0	1.85	500	279	2.92	5.8	2.10	553	253	2.64	5.7	2.30	652	214	2.24	5.4	2.70					745	188	1.96			5.3	3.00	890	157			1.64	5.0	3.20	1028	136	1.42	4.8		3.30	420		333	3.48			4.0			1.20			472			296	3.09	4.3	1.35	529	264	2.76	4.2	1.50	589	237	2.48	4.1	1.65	679	206	2.15	4.0	1.80	756	185	1.93	3.9	1.90	913	153	1.60	3.8	2.00	1050	133	1.39	3.6	2.10																																										
13	10114	72.09	63	1.20			14	9398	66.99			64	1.30		8.9	15222		163.31			34	0.80	9.9			13694	146.91	54	0.90	12			11172	119.86	62	1.10	13			10189	109.31	63	1.20	15			8818	94.60	65	1.40	17			7780	83.47	66	1.60	21			6720	72.09	68	1.85	22			6244	66.99	68	2.00	24			5694	61.09	68	2.20	28		4928	52.87		69		2.50	31		4348			46.65			69	2.80	36	3755	40.29	69	3.30	41	3322	35.64	69	3.70	14	9619	103.20	29	0.80	GR149 GRF149	4P	16	8268	88.70	48	0.90	18	7542			80.91	51	1.00	20	6850	73.49	52			1.10	22	6077	65.20	54	1.25	25	5515	59.17	54	1.40	29	4741	50.86	55			1.60			33	4138	44.39			56	1.85	39			3509	37.65	57			2.20	44	3068			32.91	57	2.50			52	2594	27.83			57	2.80	61	2248	24.12	57	3.20	66	2051	22.00	57	3.50	77	1775	19.04	57	4.00	31	4440	47.63	23	0.90	GR139 GRF139	4P	36	3763	40.37	23	1.10	41	3287			35.26	22	1.25	50	2749	29.49	21			1.50	47	2868	30.77	22	1.40	GR139 GRF139	4P	53	2571	27.58	21	1.60			59	2321	24.90	21	1.75	65	2108	22.62	20			1.95	73	1871	20.07	20	2.20	80	1697	18.21	19	2.40	93	1459	15.65	19	2.80	107	1273	13.66			18			3.20			224	624	6.52			16	1.80	GR109 GRF109			4P	249	562			5.87			12	2.35					277	505	5.28	12	2.65			339	412	4.31	10	2.80	372	376	3.93	6.0	3.50	429	325	3.40	5.9	4.15	487	287	3.00	5.9	4.90	564	248	2.59	6.5	5.20			638					219	2.29			6.1	5.35	281			497	5.19	8.0	1.35	314	445	4.65	7.8	1.50	348	402	4.20	7.7	2.00	383			365	3.81		7.5	2.20				432	323	3.38	7.3	2.50	476	294	3.07	7.2	2.80	553	253	2.64	6.9	3.20	635	220	2.30	6.7	3.70	749	187	1.95	6.4	4.00	854	164	1.71	6.1	4.20	1014	138	1.44	5.9	4.60	323	432	4.52	6.3	1.35	GR109 GRF109	4P	361	387	4.04	6.2	1.50	401	348			3.64	6.1	1.65	442	316	3.30	6.0			1.85	500	279	2.92	5.8	2.10	553	253	2.64	5.7	2.30	652	214	2.24	5.4	2.70	745	188	1.96	5.3	3.00	890	157					1.64	5.0	3.20			1028	136	1.42	4.8			3.30	420	333	3.48	4.0	1.20	472		296	3.09		4.3	1.35	529	264	2.76			4.2			1.50			589	237	2.48	4.1	1.65	679	206	2.15	4.0	1.80	756	185	1.93	3.9	1.90	913	153	1.60	3.8	2.00	1050	133	1.39	3.6	2.10																																																			
14	9398	66.99	64	1.30			8.9	15222	163.31	34	0.80	9.9	13694		146.91	54		0.90			12	11172	119.86			62	1.10	13	10189	109.31			63	1.20	15	8818	94.60			65	1.40	17	7780	83.47			66	1.60	21	6720	72.09			68	1.85	22	6244	66.99			68	2.00	24	5694	61.09			68	2.20	28	4928	52.87			69	2.50	31	4348	46.65		69	2.80		36		3755	40.29		69			3.30			41	3322	35.64	69	3.70	14	9619	103.20	29	0.80	GR149 GRF149	4P	16	8268	88.70	48	0.90			18	7542	80.91	51	1.00	20	6850			73.49	52	1.10	22	6077	65.20	54			1.25	25	5515	59.17	54	1.40	29	4741	50.86	55	1.60	33	4138	44.39	56			1.85			39	3509	37.65			57	2.20	44			3068	32.91	57			2.50	52	2594			27.83	57	2.80			61	2248	24.12	57	3.20	66	2051	22.00	57	3.50	77	1775	19.04	57	4.00	31	4440	47.63	23	0.90	GR139 GRF139	4P	36	3763	40.37	23	1.10			41	3287	35.26	22	1.25	50	2749			29.49	21	1.50	47	2868	30.77	22			1.40	GR139 GRF139	4P	53	2571	27.58			21	1.60	59	2321	24.90			21	1.75	65	2108	22.62	20	1.95	73	1871			20.07	20	2.20	80	1697	18.21	19	2.40	93	1459	15.65	19	2.80	107	1273	13.66	18	3.20	224			624			6.52			16	1.80	GR109 GRF109			4P	249					562	5.87			12			2.35	277		505	5.28		12	2.65	339	412	4.31			10	2.80	372	376	3.93	6.0	3.50	429	325	3.40	5.9	4.15	487	287	3.00	5.9	4.90	564	248	2.59	6.5	5.20	638	219	2.29			6.1					5.35	281			497	5.19	8.0			1.35	314	445	4.65	7.8	1.50	348	402	4.20	7.7	2.00	383	365	3.81	7.5			2.20	432	323	3.38	7.3	2.50			476	294	3.07	7.2	2.80	553	253	2.64	6.9	3.20	635	220	2.30	6.7	3.70	749	187	1.95	6.4	4.00	854	164	1.71	6.1	4.20	1014	138	1.44	5.9	4.60	323	432	4.52	6.3	1.35	GR109 GRF109	4P	361	387	4.04			6.2	1.50	401	348	3.64	6.1	1.65			442	316	3.30	6.0	1.85	500	279			2.92	5.8	2.10	553	253	2.64	5.7	2.30	652	214	2.24	5.4	2.70	745	188	1.96	5.3	3.00	890	157	1.64	5.0	3.20					1028	136	1.42			4.8	3.30	420	333			3.48	4.0	1.20	472	296	3.09	4.3		1.35	529		264	2.76	4.2	1.50	589	237	2.48	4.1			1.65			679	206	2.15	4.0	1.80	756	185	1.93	3.9	1.90	913	153	1.60	3.8	2.00	1050	133	1.39	3.6	2.10																																																								
8.9	15222	163.31	34	0.80	9.9	13694	146.91	54	0.90	12	11172	119.86	62		1.10	13		10189			109.31	63	1.20			15	8818	94.60	65	1.40			17	7780	83.47	66	1.60			21	6720	72.09	68	1.85			22	6244	66.99	68	2.00			24	5694	61.09	68	2.20			28	4928	52.87	69	2.50			31	4348	46.65	69	2.80			36	3755	40.29	69	3.30		41	3322		35.64		69	3.70		14			9619	103.20	29	0.80	GR149 GRF149	4P	16	8268	88.70	48	0.90	18	7542			80.91	51	1.00	20	6850			73.49	52	1.10	22	6077	65.20	54			1.25	25	5515	59.17	54	1.40	29			4741	50.86	55	1.60	33	4138	44.39	56	1.85	39	3509	37.65	57	2.20	44			3068			32.91	57	2.50			52	2594	27.83			57	2.80	61			2248	24.12	57			3.20	66	2051	22.00	57	3.50	77	1775	19.04	57	4.00	31	4440	47.63	23	0.90	GR139 GRF139	4P	36	3763	40.37	23	1.10	41	3287			35.26	22	1.25	50	2749			29.49	21	1.50	47	2868	30.77	22			1.40	GR139 GRF139	4P	53	2571	27.58	21	1.60	59	2321			24.90	21	1.75			65	2108	22.62	20	1.95			73	1871	20.07	20	2.20	80	1697	18.21	19			2.40	93	1459	15.65	19	2.80	107	1273	13.66	18	3.20	224	624	6.52	16	1.80	GR109 GRF109	4P	249			562			5.87			12	2.35					277					505	5.28			12	2.65	339	412	4.31		10	2.80		372	376	3.93	6.0	3.50			429	325	3.40	5.9	4.15	487	287	3.00	5.9	4.90	564	248	2.59	6.5	5.20	638	219	2.29	6.1	5.35	281	497	5.19	8.0	1.35			314					445	4.65			7.8	1.50	348			402	4.20	7.7	2.00	383	365	3.81	7.5	2.20	432	323	3.38	7.3	2.50	476		294	3.07	7.2	2.80	553	253	2.64	6.9		3.20	635	220	2.30	6.7	3.70	749	187	1.95	6.4	4.00	854	164	1.71	6.1	4.20	1014	138	1.44	5.9	4.60	323	432	4.52	6.3	1.35	GR109 GRF109	4P	361	387	4.04	6.2	1.50	401	348			3.64	6.1	1.65			442	316	3.30	6.0	1.85	500	279			2.92	5.8	2.10	553	253	2.64	5.7			2.30	652	214	2.24	5.4	2.70	745	188	1.96	5.3	3.00	890	157	1.64	5.0	3.20	1028	136	1.42	4.8	3.30	420	333					3.48	4.0	1.20			472	296	3.09	4.3			1.35	529	264	2.76	4.2	1.50	589		237	2.48		4.1	1.65	679	206	2.15	4.0	1.80	756	185	1.93	3.9			1.90	913	153	1.60	3.8	2.00	1050	133	1.39	3.6	2.10																																																																	
9.9	13694	146.91	54	0.90	12	11172	119.86	62	1.10	13	10189	109.31	63		1.20	15		8818			94.60	65	1.40			17	7780	83.47	66	1.60			21	6720	72.09	68	1.85			22	6244	66.99	68	2.00			24	5694	61.09	68	2.20			28	4928	52.87	69	2.50			31	4348	46.65	69	2.80			36	3755	40.29	69	3.30			41	3322	35.64	69	3.70		14	9619		103.20		29	0.80		GR149 GRF149	4P	16	8268	88.70	48	0.90			18	7542	80.91	51	1.00	20	6850			73.49	52	1.10	22	6077			65.20	54	1.25	25	5515	59.17	54			1.40	29	4741	50.86	55	1.60	33			4138	44.39	56	1.85	39	3509	37.65	57	2.20	44	3068	32.91	57	2.50	52			2594			27.83	57	2.80			61	2248	24.12			57	3.20	66			2051	22.00	57	3.50	77	1775	19.04	57	4.00	31	4440	47.63	23	0.90	GR139 GRF139	4P	36	3763	40.37	23	1.10			41	3287	35.26	22	1.25	50	2749			29.49	21	1.50	47	2868			30.77	22	1.40	GR139 GRF139	4P	53	2571	27.58	21	1.60			59	2321	24.90	21	1.75	65	2108			22.62	20	1.95			73	1871	20.07	20	2.20			80	1697	18.21	19	2.40	93	1459	15.65	19			2.80	107	1273	13.66	18	3.20	224	624	6.52	16	1.80	GR109 GRF109	4P	249	562	5.87			12			2.35			277			505	5.28					12					2.65	339	412	4.31	10	2.80	372	376	3.93		6.0	3.50		429	325	3.40	5.9	4.15			487	287	3.00	5.9	4.90	564	248	2.59	6.5	5.20	638	219	2.29	6.1	5.35	281	497	5.19	8.0	1.35	314	445	4.65	7.8	1.50			348					402	4.20			7.7	2.00	383			365	3.81	7.5	2.20	432	323	3.38	7.3	2.50	476	294	3.07	7.2	2.80	553	253	2.64	6.9	3.20	635	220	2.30	6.7	3.70	749	187	1.95	6.4	4.00	854	164	1.71	6.1	4.20	1014	138	1.44	5.9	4.60	323	432	4.52	6.3	1.35	GR109 GRF109	4P	361	387	4.04	6.2	1.50			401	348	3.64	6.1	1.65	442	316			3.30	6.0	1.85			500	279	2.92	5.8	2.10	553	253			2.64	5.7	2.30	652	214	2.24	5.4			2.70	745	188	1.96	5.3	3.00	890	157	1.64	5.0	3.20	1028	136	1.42	4.8	3.30	420	333	3.48	4.0	1.20	472	296					3.09	4.3	1.35			529	264	2.76	4.2			1.50	589	237	2.48	4.1	1.65	679		206	2.15		4.0	1.80	756	185	1.93	3.9	1.90	913	153	1.60	3.8	2.00	1050	133	1.39	3.6	2.10																																																																								
12	11172	119.86	62	1.10	13	10189	109.31	63	1.20	15	8818	94.60	65		1.40	17		7780			83.47	66	1.60			21	6720	72.09	68	1.85			22	6244	66.99	68	2.00			24	5694	61.09	68	2.20			28	4928	52.87	69	2.50			31	4348	46.65	69	2.80			36	3755	40.29	69	3.30			41	3322	35.64	69	3.70			14	9619	103.20	29	0.80		GR149 GRF149	4P		16	8268	88.70	48	0.90			18	7542	80.91	51	1.00			20	6850	73.49	52	1.10	22	6077			65.20	54	1.25	25	5515			59.17	54	1.40	29	4741	50.86	55			1.60	33	4138	44.39	56	1.85	39			3509	37.65	57	2.20	44	3068	32.91	57	2.50	52	2594	27.83	57	2.80	61			2248			24.12	57	3.20			66	2051	22.00			57	3.50	77	1775	19.04	57	4.00	31	4440	47.63	23	0.90	GR139 GRF139	4P	36	3763	40.37	23	1.10			41	3287	35.26	22	1.25			50	2749	29.49	21	1.50	47	2868			30.77	22	1.40	GR139 GRF139	4P	53	2571	27.58	21	1.60			59	2321	24.90	21	1.75			65	2108	22.62	20	1.95	73	1871			20.07	20	2.20			80	1697	18.21	19	2.40			93	1459	15.65	19	2.80	107	1273	13.66	18			3.20	224	624	6.52	16	1.80	GR109 GRF109	4P	249	562	5.87			12	2.35	277			505			5.28			12			2.65	339					412		4.31	10		2.80	372	376	3.93	6.0	3.50	429	325	3.40		5.9	4.15		487	287	3.00	5.9	4.90			564	248	2.59	6.5	5.20	638	219	2.29	6.1	5.35	281	497	5.19	8.0	1.35	314	445	4.65	7.8	1.50	348	402	4.20	7.7	2.00			383					365	3.81			7.5	2.20	432	323	3.38	7.3	2.50	476	294	3.07	7.2	2.80	553	253	2.64	6.9	3.20	635	220	2.30	6.7	3.70	749	187	1.95	6.4	4.00	854	164	1.71	6.1	4.20	1014	138	1.44	5.9	4.60	323	432	4.52	6.3	1.35	GR109 GRF109	4P	361	387	4.04	6.2	1.50			401	348	3.64	6.1	1.65			442	316	3.30	6.0	1.85	500	279			2.92	5.8	2.10			553	253	2.64	5.7	2.30	652	214			2.24	5.4	2.70	745	188	1.96	5.3			3.00	890	157	1.64	5.0	3.20	1028	136	1.42	4.8	3.30	420	333	3.48	4.0	1.20	472	296	3.09	4.3	1.35	529	264					2.76	4.2	1.50			589	237	2.48	4.1			1.65	679	206	2.15	4.0	1.80	756	185	1.93	3.9	1.90	913	153	1.60	3.8	2.00	1050	133	1.39	3.6	2.10																																																																															
13	10189	109.31	63	1.20	15	8818	94.60	65	1.40	17	7780	83.47	66		1.60	21		6720			72.09	68	1.85			22	6244	66.99	68	2.00			24	5694	61.09	68	2.20			28	4928	52.87	69	2.50			31	4348	46.65	69	2.80			36	3755	40.29	69	3.30			41	3322	35.64	69	3.70			14	9619	103.20	29	0.80			GR149 GRF149	4P	16	8268	88.70	48			0.90	18	7542	80.91	51	1.00			20	6850	73.49	52	1.10			22	6077	65.20	54	1.25	25	5515			59.17	54	1.40	29	4741			50.86	55	1.60	33	4138	44.39	56			1.85	39	3509	37.65	57	2.20	44			3068	32.91	57	2.50	52	2594	27.83	57	2.80	61	2248	24.12	57	3.20	66			2051			22.00	57	3.50			77	1775	19.04	57	4.00	31	4440	47.63	23	0.90	GR139 GRF139	4P	36	3763	40.37	23	1.10			41	3287	35.26	22	1.25			50	2749	29.49	21	1.50			47	2868	30.77	22	1.40	GR139 GRF139	4P	53	2571	27.58	21	1.60			59	2321	24.90	21	1.75			65	2108	22.62	20	1.95			73	1871	20.07	20	2.20	80	1697			18.21	19	2.40			93	1459	15.65	19	2.80			107	1273	13.66	18	3.20	224	624	6.52	16			1.80	GR109 GRF109	4P	249	562	5.87			12	2.35	277			505	5.28	12			2.65			339			412			4.31	10		2.80	372		376		3.93	6.0		3.50	429	325	3.40	5.9	4.15	487	287	3.00		5.9	4.90		564	248	2.59	6.5	5.20			638	219	2.29	6.1	5.35	281	497	5.19	8.0	1.35	314	445	4.65	7.8	1.50	348	402	4.20	7.7	2.00	383	365	3.81	7.5	2.20			432					323	3.38	7.3	2.50	476	294	3.07	7.2	2.80	553	253	2.64	6.9	3.20	635	220	2.30	6.7	3.70	749	187	1.95	6.4	4.00	854	164	1.71	6.1	4.20	1014	138	1.44	5.9	4.60	323	432	4.52	6.3	1.35	GR109 GRF109	4P	361	387	4.04	6.2	1.50			401	348	3.64	6.1	1.65			442	316	3.30	6.0	1.85			500	279	2.92	5.8	2.10	553	253			2.64	5.7	2.30			652	214	2.24	5.4	2.70	745	188			1.96	5.3	3.00	890	157	1.64	5.0			3.20	1028	136	1.42	4.8	3.30	420	333	3.48	4.0	1.20	472	296	3.09	4.3	1.35	529	264	2.76	4.2	1.50	589	237					2.48	4.1	1.65			679	206	2.15	4.0	1.80	756	185	1.93	3.9	1.90	913	153	1.60	3.8	2.00	1050	133	1.39	3.6	2.10																																																																																						
15	8818	94.60	65	1.40	17	7780	83.47	66	1.60	21	6720	72.09	68		1.85	22		6244			66.99	68	2.00			24	5694	61.09	68	2.20			28	4928	52.87	69	2.50			31	4348	46.65	69	2.80			36	3755	40.29	69	3.30			41	3322	35.64	69	3.70			14	9619	103.20	29	0.80			GR149 GRF149	4P	16	8268	88.70	48	0.90			18	7542	80.91	51			1.00	20	6850	73.49	52	1.10			22	6077	65.20	54	1.25			25	5515	59.17	54	1.40	29	4741			50.86	55	1.60	33	4138			44.39	56	1.85	39	3509	37.65	57			2.20	44	3068	32.91	57	2.50	52			2594	27.83	57	2.80	61	2248	24.12	57	3.20	66	2051	22.00	57	3.50	77			1775			19.04	57	4.00	31	4440	47.63	23	0.90	GR139 GRF139	4P	36	3763	40.37	23	1.10			41	3287	35.26	22	1.25			50	2749	29.49	21	1.50			47	2868	30.77	22	1.40	GR139 GRF139	4P	53	2571	27.58	21	1.60			59	2321	24.90	21	1.75			65	2108	22.62	20	1.95			73	1871	20.07	20	2.20			80	1697	18.21	19	2.40	93	1459			15.65	19	2.80			107	1273	13.66	18	3.20			224	624	6.52	16	1.80	GR109 GRF109	4P	249	562			5.87			12	2.35	277			505	5.28	12			2.65	339	412			4.31			10			2.80	372	376	3.93	6.0		3.50	429		325		3.40	5.9		4.15	487	287	3.00	5.9	4.90	564	248	2.59		6.5	5.20		638	219	2.29	6.1	5.35			281	497	5.19	8.0	1.35	314	445	4.65	7.8	1.50	348	402	4.20	7.7	2.00	383	365	3.81	7.5	2.20	432	323	3.38	7.3	2.50			476		294	3.07		7.2	2.80	553	253	2.64	6.9	3.20	635	220	2.30	6.7	3.70	749	187	1.95	6.4	4.00	854	164	1.71	6.1	4.20	1014	138	1.44	5.9	4.60	323	432	4.52	6.3	1.35	GR109 GRF109	4P	361	387	4.04	6.2	1.50			401	348	3.64	6.1	1.65			442	316	3.30	6.0	1.85			500	279	2.92	5.8	2.10			553	253	2.64	5.7	2.30	652	214			2.24	5.4	2.70			745	188	1.96	5.3	3.00	890	157			1.64	5.0	3.20	1028	136	1.42	4.8			3.30	420	333	3.48	4.0	1.20	472	296	3.09	4.3	1.35	529	264	2.76	4.2	1.50	589	237	2.48	4.1	1.65	679	206			2.15	4.0	1.80	756	185			1.93	3.9	1.90	913	153	1.60	3.8	2.00	1050	133	1.39	3.6	2.10																																																																																													
17	7780	83.47	66	1.60	21	6720	72.09	68	1.85	22	6244	66.99	68		2.00	24		5694			61.09	68	2.20			28	4928	52.87	69	2.50			31	4348	46.65	69	2.80			36	3755	40.29	69	3.30			41	3322	35.64	69	3.70			14	9619	103.20	29	0.80			GR149 GRF149	4P	16	8268	88.70	48	0.90			18	7542	80.91	51	1.00			20	6850	73.49	52			1.10	22	6077	65.20	54	1.25			25	5515	59.17	54	1.40			29	4741	50.86	55	1.60	33	4138			44.39	56	1.85	39	3509			37.65	57	2.20	44	3068	32.91	57			2.50	52	2594	27.83	57	2.80	61			2248	24.12	57	3.20	66	2051	22.00	57	3.50	77	1775	19.04	57	4.00	31			4440	47.63	23	0.90	GR139 GRF139	4P	36	3763	40.37	23	1.10			41	3287	35.26	22	1.25			50	2749	29.49	21	1.50			47	2868	30.77	22	1.40	GR139 GRF139	4P	53	2571	27.58	21	1.60			59	2321	24.90	21	1.75			65	2108	22.62	20	1.95			73	1871	20.07	20	2.20			80	1697	18.21	19	2.40			93	1459	15.65	19	2.80	107	1273			13.66	18	3.20			224	624	6.52	16	1.80			GR109 GRF109	4P	249	562	5.87			12	2.35			277			505	5.28	12			2.65	339	412			4.31	10	2.80			372			376	3.93	6.0	3.50	429	325	3.40	5.9		4.15	487		287		3.00	5.9		4.90	564	248	2.59	6.5	5.20	638	219	2.29		6.1	5.35		281	497	5.19	8.0	1.35			314	445	4.65	7.8	1.50	348	402	4.20	7.7	2.00	383	365	3.81	7.5	2.20	432	323	3.38	7.3	2.50	476	294	3.07	7.2	2.80			553	253	2.64	6.9	3.20	635	220	2.30	6.7	3.70	749	187	1.95	6.4	4.00	854	164	1.71	6.1	4.20	1014	138	1.44	5.9	4.60	323	432	4.52	6.3	1.35	GR109 GRF109	4P	361	387	4.04	6.2	1.50			401	348	3.64	6.1	1.65			442	316	3.30	6.0	1.85			500	279	2.92	5.8	2.10			553	253	2.64	5.7	2.30			652	214	2.24	5.4	2.70	745	188			1.96	5.3	3.00			890	157	1.64	5.0	3.20	1028	136			1.42	4.8	3.30	420	333	3.48	4.0			1.20	472	296	3.09	4.3	1.35	529	264	2.76	4.2	1.50	589	237	2.48	4.1	1.65	679	206	2.15	4.0	1.80	756	185			1.93	3.9	1.90	913	153	1.60	3.8	2.00	1050	133	1.39	3.6	2.10																																																																																																				
21	6720	72.09	68	1.85	22	6244	66.99	68	2.00	24	5694	61.09	68		2.20	28		4928			52.87	69	2.50			31	4348	46.65	69	2.80			36	3755	40.29	69	3.30			41	3322	35.64	69	3.70			14	9619	103.20	29	0.80			GR149 GRF149	4P	16	8268	88.70	48	0.90			18	7542	80.91	51	1.00			20	6850	73.49	52	1.10			22	6077	65.20	54			1.25	25	5515	59.17	54	1.40			29	4741	50.86	55	1.60			33	4138	44.39	56	1.85	39	3509			37.65	57	2.20	44	3068			32.91	57	2.50	52	2594	27.83	57			2.80	61	2248	24.12	57	3.20	66			2051	22.00	57	3.50	77	1775	19.04	57	4.00	31	4440	47.63	23	0.90	GR139 GRF139	4P	36	3763	40.37	23	1.10			41	3287	35.26	22	1.25			50	2749	29.49	21	1.50			47	2868	30.77	22	1.40	GR139 GRF139	4P	53	2571	27.58	21	1.60			59	2321	24.90	21	1.75			65	2108	22.62	20	1.95			73	1871	20.07	20	2.20			80	1697	18.21	19	2.40			93	1459	15.65	19	2.80			107	1273	13.66	18	3.20	224	624			6.52	16	1.80			GR109 GRF109	4P	249	562	5.87					12	2.35	277			505	5.28			12			2.65	339	412			4.31	10	2.80			372	376	3.93			6.0	3.50	429	325	3.40	5.9	4.15	487	287	3.00	5.9		4.90	564		248		2.59	6.5		5.20	638	219	2.29	6.1	5.35	281	497	5.19		8.0	1.35		314	445	4.65	7.8	1.50			348	402	4.20	7.7	2.00	383	365	3.81	7.5	2.20	432	323	3.38	7.3	2.50	476	294	3.07	7.2	2.80	553	253	2.64	6.9	3.20	635	220	2.30	6.7	3.70	749	187	1.95	6.4	4.00	854	164	1.71	6.1	4.20	1014	138	1.44	5.9	4.60	323	432	4.52	6.3	1.35	GR109 GRF109	4P	361	387	4.04	6.2	1.50			401	348	3.64	6.1	1.65			442	316	3.30	6.0	1.85			500	279	2.92	5.8	2.10			553	253	2.64	5.7	2.30			652	214	2.24	5.4	2.70			745	188	1.96	5.3	3.00	890	157			1.64	5.0	3.20			1028	136	1.42	4.8	3.30	420	333			3.48	4.0	1.20	472	296	3.09	4.3			1.35	529	264	2.76	4.2	1.50	589	237	2.48	4.1	1.65	679	206	2.15	4.0	1.80	756	185	1.93	3.9	1.90	913	153	1.60	3.8	2.00	1050	133	1.39	3.6	2.10																																																																																																											
22	6244	66.99	68	2.00	24	5694	61.09	68	2.20	28	4928	52.87	69		2.50	31		4348			46.65	69	2.80			36	3755	40.29	69	3.30			41	3322	35.64	69	3.70			14	9619	103.20	29	0.80			GR149 GRF149	4P	16	8268	88.70	48	0.90			18	7542	80.91	51	1.00			20	6850	73.49	52	1.10			22	6077	65.20	54	1.25			25	5515	59.17	54			1.40	29	4741	50.86	55	1.60			33	4138	44.39	56	1.85			39	3509	37.65	57	2.20	44	3068			32.91	57	2.50	52	2594			27.83	57	2.80	61	2248	24.12	57			3.20	66	2051	22.00	57	3.50	77			1775	19.04	57	4.00	31	4440	47.63	23	0.90	GR139 GRF139	4P	36	3763	40.37			23	1.10	41	3287	35.26			22	1.25	50	2749	29.49			21	1.50	47	2868	30.77	22	1.40	GR139 GRF139	4P	53	2571	27.58			21	1.60	59	2321	24.90			21	1.75	65	2108	22.62			20	1.95	73	1871	20.07			20	2.20	80	1697	18.21			19	2.40	93	1459	15.65			19	2.80	107	1273	13.66			18	3.20	224	624	6.52	16	1.80			GR109 GRF109	4P	249					562	5.87	12					2.35	277	505			5.28	12			2.65			339	412	4.31			10	2.80	372			376	3.93	6.0			3.50	429	325	3.40	5.9	4.15	487	287	3.00	5.9	4.90		564	248		2.59		6.5	5.20		638	219	2.29	6.1	5.35	281	497	5.19	8.0		1.35	314		445	4.65	7.8	1.50	348			402	4.20	7.7	2.00	383	365	3.81	7.5	2.20	432	323	3.38	7.3	2.50	476	294	3.07	7.2	2.80	553	253	2.64	6.9	3.20	635	220	2.30	6.7	3.70	749	187	1.95	6.4	4.00	854	164	1.71	6.1	4.20	1014	138	1.44	5.9	4.60	323	432	4.52	6.3	1.35	GR109 GRF109			4P	361	387	4.04	6.2			1.50	401	348	3.64	6.1			1.65	442	316	3.30	6.0			1.85	500	279	2.92	5.8			2.10	553	253	2.64	5.7			2.30	652	214	2.24	5.4			2.70	745	188	1.96	5.3	3.00	890			157	1.64	5.0			3.20	1028	136	1.42	4.8	3.30	420			333	3.48	4.0	1.20	472	296	3.09			4.3	1.35	529	264	2.76	4.2	1.50	589	237	2.48	4.1	1.65	679	206	2.15	4.0	1.80	756	185	1.93	3.9	1.90	913	153	1.60	3.8	2.00	1050	133	1.39	3.6	2.10																																																																																																										
24	5694	61.09	68	2.20	28	4928	52.87	69	2.50	31	4348	46.65	69		2.80	36		3755			40.29	69	3.30			41	3322	35.64	69	3.70			14	9619	103.20	29	0.80			GR149 GRF149	4P	16	8268	88.70	48	0.90			18	7542	80.91	51	1.00			20	6850	73.49	52	1.10			22	6077	65.20	54	1.25			25	5515	59.17	54	1.40			29	4741	50.86	55			1.60	33	4138	44.39	56	1.85			39	3509	37.65	57	2.20			44	3068	32.91	57	2.50	52	2594			27.83	57	2.80	61	2248			24.12	57	3.20	66	2051	22.00	57			3.50	77	1775	19.04	57	4.00	31	4440	47.63	23	0.90	GR139 GRF139	4P	36	3763	40.37	23	1.10			41	3287	35.26			22	1.25	50	2749	29.49			21	1.50	47	2868	30.77	22	1.40	GR139 GRF139	4P	53	2571	27.58	21	1.60			59	2321	24.90			21	1.75	65	2108	22.62			20	1.95	73	1871	20.07			20	2.20	80	1697	18.21			19	2.40	93	1459	15.65			19	2.80	107	1273	13.66			18	3.20	224	624	6.52			16	1.80	GR109 GRF109	4P	249	562	5.87					12					2.35	277	505					5.28	12	2.65			339	412	4.31	10	2.80			372	376	3.93			6.0	3.50	429			325	3.40	5.9			4.15	487	287	3.00	5.9	4.90	564	248	2.59	6.5	5.20		638	219		2.29		6.1	5.35		281	497	5.19	8.0	1.35	314	445	4.65	7.8		1.50	348		402	4.20	7.7	2.00	383	365	3.81	7.5	2.20	432	323	3.38	7.3	2.50	476	294	3.07	7.2	2.80	553	253	2.64	6.9	3.20	635	220	2.30	6.7	3.70	749	187	1.95	6.4	4.00	854	164	1.71	6.1	4.20	1014	138	1.44	5.9	4.60	323	432	4.52	6.3	1.35	GR109 GRF109	4P	361	387	4.04	6.2	1.50					401	348	3.64	6.1			1.65	442	316	3.30	6.0			1.85	500	279	2.92	5.8			2.10	553	253	2.64	5.7			2.30	652	214	2.24	5.4			2.70	745	188	1.96	5.3			3.00	890	157	1.64	5.0	3.20	1028			136	1.42	4.8			3.30	420	333	3.48	4.0	1.20	472			296	3.09	4.3	1.35	529	264	2.76	4.2	1.50	589	237	2.48	4.1	1.65	679	206	2.15	4.0	1.80	756	185	1.93	3.9	1.90	913	153	1.60	3.8	2.00	1050	133	1.39	3.6	2.10																																																																																																																	
28	4928	52.87	69	2.50	31	4348	46.65	69	2.80	36	3755	40.29	69		3.30	41		3322			35.64	69	3.70			14	9619	103.20	29	0.80			GR149 GRF149	4P	16	8268	88.70	48	0.90			18	7542	80.91	51	1.00			20	6850	73.49	52	1.10			22	6077	65.20	54	1.25			25	5515	59.17	54	1.40			29	4741	50.86	55	1.60			33	4138	44.39	56			1.85	39	3509	37.65	57	2.20			44	3068	32.91	57	2.50			52	2594	27.83	57	2.80	61	2248			24.12	57	3.20	66	2051			22.00	57	3.50	77	1775	19.04	57	4.00	31	4440	47.63	23	0.90	GR139 GRF139	4P	36	3763	40.37	23	1.10			41	3287	35.26	22	1.25			50	2749	29.49			21	1.50	47	2868	30.77	22	1.40	GR139 GRF139	4P	53	2571	27.58	21	1.60			59	2321	24.90	21	1.75			65	2108	22.62			20	1.95	73	1871	20.07			20	2.20	80	1697	18.21			19	2.40	93	1459	15.65			19	2.80	107	1273	13.66			18	3.20	224	624	6.52			16	1.80	GR109 GRF109	4P	249			562	5.87			12	2.35	277					505					5.28	12	2.65	339	412			4.31	10	2.80			372	376	3.93	6.0	3.50			429	325	3.40			5.9	4.15	487			287	3.00	5.9			4.90	564	248	2.59	6.5	5.20	638	219	2.29	6.1	5.35		281	497		5.19		8.0	1.35		314	445	4.65	7.8	1.50	348	402	4.20	7.7	2.00	383	365	3.81	7.5	2.20	432	323	3.38	7.3	2.50	476	294	3.07	7.2	2.80	553	253	2.64	6.9	3.20	635	220	2.30	6.7	3.70	749	187	1.95	6.4	4.00	854	164	1.71	6.1	4.20	1014	138	1.44	5.9	4.60	323	432	4.52	6.3	1.35	GR109 GRF109	4P	361	387	4.04	6.2	1.50			401	348	3.64	6.1	1.65					442	316	3.30	6.0			1.85	500	279	2.92	5.8			2.10	553	253	2.64	5.7			2.30	652	214	2.24	5.4			2.70	745	188	1.96	5.3			3.00	890	157	1.64	5.0			3.20	1028	136	1.42	4.8	3.30	420			333	3.48	4.0			1.20	472	296	3.09	4.3	1.35	529	264	2.76	4.2	1.50	589	237	2.48	4.1	1.65	679	206	2.15	4.0	1.80	756	185	1.93	3.9	1.90	913	153	1.60	3.8	2.00	1050	133	1.39	3.6	2.10																																																																																																																								
31	4348	46.65	69	2.80	36	3755	40.29	69	3.30	41	3322	35.64	69		3.70	14		9619			103.20	29	0.80			GR149 GRF149	4P	16	8268	88.70	48	0.90			18	7542	80.91	51	1.00			20	6850	73.49	52	1.10			22	6077	65.20	54	1.25			25	5515	59.17	54	1.40			29	4741	50.86	55	1.60			33	4138	44.39	56	1.85			39	3509	37.65	57			2.20	44	3068	32.91	57	2.50			52	2594	27.83	57	2.80			61	2248	24.12	57	3.20	66	2051			22.00	57	3.50	77	1775	19.04	57	4.00	31	4440	47.63	23	0.90	GR139 GRF139	4P	36	3763	40.37	23	1.10			41	3287	35.26	22	1.25			50	2749	29.49	21	1.50			47	2868	30.77	22	1.40	GR139 GRF139	4P	53	2571	27.58	21	1.60			59	2321	24.90	21	1.75			65	2108	22.62	20	1.95			73	1871	20.07			20	2.20	80	1697	18.21			19	2.40	93	1459	15.65			19	2.80	107	1273	13.66			18	3.20	224	624	6.52			16	1.80	GR109 GRF109	4P	249			562	5.87			12			2.35	277			505	5.28	12					2.65	339	412			4.31	10	2.80	372	376			3.93	6.0	3.50			429	325	3.40	5.9	4.15			487	287	3.00			5.9	4.90	564			248	2.59	6.5			5.20	638	219	2.29	6.1	5.35	281	497	5.19	8.0	1.35		314	445		4.65	7.8	1.50	348	402	4.20	7.7	2.00	383	365	3.81	7.5	2.20	432	323	3.38	7.3	2.50	476	294	3.07	7.2	2.80	553	253	2.64	6.9	3.20	635	220	2.30	6.7	3.70	749	187	1.95	6.4	4.00	854	164	1.71	6.1	4.20	1014	138	1.44	5.9	4.60	323	432	4.52	6.3	1.35	GR109 GRF109	4P	361	387	4.04	6.2	1.50			401	348	3.64	6.1	1.65			442	316	3.30	6.0	1.85					500	279	2.92	5.8			2.10	553	253	2.64	5.7			2.30	652	214	2.24	5.4			2.70	745	188	1.96	5.3			3.00	890	157	1.64	5.0			3.20	1028	136	1.42	4.8			3.30	420	333	3.48	4.0	1.20	472			296	3.09	4.3	1.35	529	264	2.76	4.2	1.50	589	237	2.48	4.1	1.65	679	206	2.15	4.0	1.80	756	185	1.93	3.9	1.90	913	153	1.60	3.8	2.00	1050	133	1.39	3.6	2.10																																																																																																																															
36	3755	40.29	69	3.30	41	3322	35.64	69	3.70	14	9619	103.20	29		0.80	GR149 GRF149		4P			16	8268	88.70	48	0.90			18	7542	80.91	51	1.00			20	6850	73.49	52	1.10			22	6077	65.20	54	1.25			25	5515	59.17	54	1.40			29	4741	50.86	55	1.60			33	4138	44.39	56	1.85			39	3509	37.65	57	2.20			44	3068	32.91	57			2.50	52	2594	27.83	57	2.80			61	2248	24.12	57	3.20			66	2051	22.00	57	3.50	77	1775	19.04	57	4.00	31	4440	47.63	23	0.90	GR139 GRF139	4P	36	3763	40.37	23	1.10			41	3287	35.26	22	1.25			50	2749	29.49	21	1.50			47	2868	30.77	22	1.40	GR139 GRF139	4P	53	2571	27.58	21	1.60			59	2321	24.90	21	1.75			65	2108	22.62	20	1.95			73	1871	20.07	20	2.20			80	1697	18.21			19	2.40	93	1459	15.65			19	2.80	107	1273	13.66			18	3.20	224	624	6.52			16	1.80	GR109 GRF109	4P	249			562	5.87			12			2.35	277			505			5.28	12			2.65	339	412	4.31	10			2.80	372	376			3.93	6.0	3.50	429	325			3.40	5.9	4.15			487	287	3.00	5.9	4.90			564	248	2.59			6.5	5.20	638			219	2.29	6.1			5.35	281	497	5.19	8.0	1.35	314	445	4.65	7.8	1.50	348	402	4.20	7.7	2.00	383	365	3.81	7.5	2.20	432	323	3.38	7.3	2.50	476	294	3.07	7.2	2.80	553	253	2.64	6.9	3.20	635	220	2.30	6.7	3.70	749	187	1.95	6.4	4.00	854	164	1.71	6.1	4.20	1014	138	1.44	5.9	4.60	323	432	4.52	6.3	1.35	GR109 GRF109	4P	361	387	4.04	6.2	1.50			401	348	3.64	6.1	1.65			442	316	3.30	6.0	1.85			500	279	2.92	5.8	2.10					553	253	2.64	5.7			2.30	652	214	2.24	5.4			2.70	745	188	1.96	5.3			3.00	890	157	1.64	5.0			3.20	1028	136	1.42	4.8			3.30	420	333	3.48	4.0			1.20	472	296	3.09	4.3	1.35	529	264	2.76	4.2	1.50	589	237	2.48	4.1	1.65	679	206	2.15	4.0	1.80	756	185	1.93	3.9	1.90	913	153	1.60	3.8	2.00	1050	133	1.39	3.6	2.10																																																																																																																																						
41	3322	35.64	69	3.70	14	9619	103.20	29	0.80	GR149 GRF149	4P	16	8268		88.70				48	0.90	18	7542	80.91	51	1.00			20	6850	73.49	52	1.10			22	6077	65.20	54	1.25			25	5515	59.17	54	1.40			29	4741	50.86	55	1.60			33	4138	44.39	56	1.85			39	3509	37.65	57	2.20			44	3068	32.91	57	2.50			52	2594	27.83	57			2.80	61	2248	24.12	57	3.20			66	2051	22.00	57	3.50	77	1775	19.04	57	4.00	31	4440	47.63	23	0.90	GR139 GRF139	4P	36	3763	40.37	23	1.10			41	3287	35.26	22	1.25			50	2749	29.49	21	1.50			47	2868	30.77	22	1.40	GR139 GRF139	4P	53	2571	27.58	21	1.60			59	2321	24.90	21	1.75			65	2108	22.62	20	1.95			73	1871	20.07	20	2.20			80	1697	18.21	19	2.40			93	1459	15.65			19	2.80	107	1273	13.66			18	3.20	224	624	6.52			16	1.80	GR109 GRF109	4P	249			562	5.87			12			2.35	277			505			5.28	12			2.65	339	412	4.31	10			2.80	372	376	3.93	6.0			3.50	429	325			3.40	5.9	4.15	487	287			3.00	5.9	4.90			564	248	2.59	6.5	5.20			638	219	2.29			6.1	5.35	281			497	5.19	8.0	1.35	314	445	4.65	7.8	1.50	348	402	4.20	7.7	2.00	383	365	3.81	7.5	2.20	432	323	3.38	7.3	2.50	476	294	3.07	7.2	2.80	553	253	2.64	6.9	3.20	635	220	2.30	6.7	3.70	749	187	1.95	6.4	4.00	854	164	1.71	6.1	4.20	1014	138	1.44	5.9	4.60	323	432	4.52	6.3	1.35	GR109 GRF109	4P	361	387	4.04	6.2	1.50			401	348	3.64	6.1	1.65			442	316	3.30	6.0	1.85			500	279	2.92	5.8	2.10			553	253	2.64	5.7	2.30					652	214	2.24	5.4			2.70	745	188	1.96	5.3			3.00	890	157	1.64	5.0			3.20	1028	136	1.42	4.8			3.30	420	333	3.48	4.0			1.20	472	296	3.09	4.3	1.35	529	264	2.76	4.2	1.50	589	237	2.48	4.1	1.65	679	206	2.15	4.0	1.80	756	185	1.93	3.9	1.90	913	153	1.60	3.8	2.00	1050	133	1.39	3.6	2.10																																																																																																																																													
14	9619	103.20	29	0.80	GR149 GRF149	4P	16	8268	88.70			48	0.90	18	7542		80.91		51	1.00	20	6850	73.49	52	1.10			22	6077	65.20	54	1.25			25	5515	59.17	54	1.40			29	4741	50.86	55	1.60			33	4138	44.39	56	1.85			39	3509	37.65	57	2.20			44	3068	32.91	57	2.50			52	2594	27.83	57	2.80			61	2248	24.12	57			3.20	66	2051	22.00	57	3.50	77	1775	19.04	57	4.00	31	4440	47.63	23	0.90	GR139 GRF139	4P	36	3763	40.37	23	1.10			41	3287	35.26	22	1.25			50	2749	29.49	21	1.50			47	2868	30.77	22	1.40	GR139 GRF139	4P	53	2571	27.58	21	1.60			59	2321	24.90	21	1.75			65	2108	22.62	20	1.95			73	1871	20.07	20	2.20			80	1697	18.21	19	2.40			93	1459	15.65	19	2.80			107	1273	13.66			18	3.20	224	624	6.52			16	1.80	GR109 GRF109	4P	249			562	5.87			12			2.35	277			505			5.28	12			2.65	339	412	4.31	10			2.80	372	376	3.93	6.0			3.50	429	325	3.40	5.9			4.15	487	287			3.00	5.9	4.90	564	248			2.59	6.5	5.20			638	219	2.29	6.1	5.35			281	497	5.19			8.0	1.35	314	445	4.65	7.8	1.50	348	402	4.20	7.7	2.00	383	365	3.81	7.5	2.20	432	323	3.38	7.3	2.50	476	294	3.07	7.2	2.80	553	253	2.64	6.9	3.20	635	220	2.30	6.7	3.70	749	187	1.95	6.4	4.00	854	164	1.71	6.1	4.20	1014	138	1.44	5.9	4.60	323	432	4.52	6.3	1.35	GR109 GRF109	4P	361	387	4.04	6.2	1.50			401	348	3.64	6.1	1.65			442	316	3.30	6.0	1.85			500	279	2.92	5.8	2.10			553	253	2.64	5.7	2.30			652	214	2.24	5.4	2.70					745	188	1.96	5.3			3.00	890	157	1.64	5.0			3.20	1028	136	1.42	4.8			3.30	420	333	3.48	4.0			1.20	472	296	3.09	4.3	1.35	529	264	2.76	4.2	1.50	589	237	2.48	4.1	1.65	679	206	2.15	4.0	1.80	756	185	1.93	3.9	1.90	913	153	1.60	3.8	2.00	1050	133	1.39	3.6	2.10																																																																																																																																																				
16	8268	88.70	48	0.90			18	7542	80.91			51	1.00	20	6850		73.49		52	1.10	22	6077	65.20	54	1.25			25	5515	59.17	54	1.40			29	4741	50.86	55	1.60			33	4138	44.39	56	1.85			39	3509	37.65	57	2.20			44	3068	32.91	57	2.50			52	2594	27.83	57	2.80			61	2248	24.12	57	3.20			66	2051	22.00	57	3.50	77	1775	19.04	57	4.00	31	4440	47.63	23	0.90	GR139 GRF139	4P	36	3763	40.37	23	1.10			41	3287	35.26	22	1.25			50	2749	29.49	21	1.50			47	2868	30.77	22	1.40	GR139 GRF139	4P	53	2571	27.58	21	1.60			59	2321	24.90	21	1.75			65	2108	22.62	20	1.95			73	1871	20.07	20	2.20			80	1697	18.21	19	2.40			93	1459	15.65	19	2.80			107	1273	13.66	18	3.20			224	624	6.52			16	1.80	GR109 GRF109	4P	249			562	5.87			12			2.35	277			505			5.28	12			2.65	339	412	4.31	10			2.80	372	376	3.93	6.0			3.50	429	325	3.40	5.9			4.15	487	287	3.00	5.9			4.90	564	248			2.59	6.5	5.20	638	219			2.29	6.1	5.35			281	497	5.19	8.0	1.35			314	445	4.65	7.8	1.50	348	402	4.20	7.7	2.00	383	365	3.81	7.5	2.20	432	323	3.38	7.3	2.50	476	294	3.07	7.2	2.80	553	253	2.64	6.9	3.20	635	220	2.30	6.7	3.70	749	187	1.95	6.4	4.00	854	164	1.71	6.1	4.20	1014	138	1.44	5.9	4.60	323	432	4.52	6.3	1.35	GR109 GRF109	4P	361	387	4.04	6.2	1.50			401	348	3.64	6.1	1.65			442	316	3.30	6.0	1.85			500	279	2.92	5.8	2.10			553	253	2.64	5.7	2.30			652	214	2.24	5.4	2.70			745	188	1.96	5.3	3.00					890	157	1.64	5.0			3.20	1028	136	1.42	4.8			3.30	420	333	3.48	4.0			1.20	472	296	3.09	4.3	1.35	529	264	2.76	4.2	1.50	589	237	2.48	4.1	1.65	679	206	2.15	4.0	1.80	756	185	1.93	3.9	1.90	913	153	1.60	3.8	2.00	1050	133	1.39	3.6	2.10																																																																																																																																																											
18	7542	80.91	51	1.00			20	6850	73.49			52	1.10	22	6077		65.20		54	1.25	25	5515	59.17	54	1.40			29	4741	50.86	55	1.60			33	4138	44.39	56	1.85			39	3509	37.65	57	2.20			44	3068	32.91	57	2.50			52	2594	27.83	57	2.80			61	2248	24.12	57	3.20			66	2051	22.00	57	3.50	77	1775	19.04	57	4.00	31	4440	47.63	23	0.90	GR139 GRF139	4P	36	3763	40.37	23	1.10			41	3287	35.26	22	1.25			50	2749	29.49	21	1.50			47	2868	30.77	22	1.40	GR139 GRF139	4P	53	2571	27.58	21	1.60			59	2321	24.90	21	1.75			65	2108	22.62	20	1.95			73	1871	20.07	20	2.20			80	1697	18.21	19	2.40			93	1459	15.65	19	2.80			107	1273	13.66	18	3.20			224	624	6.52	16	1.80			GR109 GRF109	4P	249			562	5.87			12			2.35	277			505			5.28	12			2.65	339	412	4.31	10			2.80	372	376	3.93	6.0			3.50	429	325	3.40	5.9			4.15	487	287	3.00	5.9			4.90	564	248	2.59	6.5			5.20	638	219			2.29	6.1	5.35	281	497			5.19	8.0	1.35			314	445	4.65	7.8	1.50	348	402	4.20	7.7	2.00	383	365	3.81	7.5	2.20	432	323	3.38	7.3	2.50	476	294	3.07	7.2	2.80	553	253	2.64	6.9	3.20	635	220	2.30	6.7	3.70	749	187	1.95	6.4	4.00	854	164	1.71	6.1	4.20	1014	138	1.44	5.9	4.60	323	432	4.52	6.3	1.35	GR109 GRF109	4P	361	387	4.04	6.2	1.50			401	348	3.64	6.1	1.65			442	316	3.30	6.0	1.85			500	279	2.92	5.8	2.10			553	253	2.64	5.7	2.30			652	214	2.24	5.4	2.70			745	188	1.96	5.3	3.00			890	157	1.64	5.0	3.20					1028	136	1.42	4.8			3.30	420	333	3.48	4.0			1.20	472	296	3.09	4.3	1.35	529	264	2.76	4.2	1.50	589	237	2.48	4.1	1.65	679	206	2.15	4.0	1.80	756	185	1.93	3.9	1.90	913	153	1.60	3.8	2.00	1050	133	1.39	3.6	2.10																																																																																																																																																																		
20	6850	73.49	52	1.10			22	6077	65.20			54	1.25	25	5515		59.17		54	1.40	29	4741	50.86	55	1.60			33	4138	44.39	56	1.85			39	3509	37.65	57	2.20			44	3068	32.91	57	2.50			52	2594	27.83	57	2.80			61	2248	24.12	57	3.20			66	2051	22.00	57	3.50	77	1775	19.04	57	4.00	31	4440	47.63	23	0.90	GR139 GRF139	4P	36	3763	40.37	23	1.10			41	3287	35.26	22	1.25			50	2749	29.49	21	1.50			47	2868	30.77	22	1.40	GR139 GRF139	4P	53	2571	27.58	21	1.60			59	2321	24.90	21	1.75			65	2108	22.62	20	1.95			73	1871	20.07	20	2.20			80	1697	18.21	19	2.40			93	1459	15.65	19	2.80			107	1273	13.66	18	3.20			224	624	6.52	16	1.80			GR109 GRF109	4P	249	562	5.87					12			2.35	277			505			5.28	12			2.65	339	412	4.31	10			2.80	372	376	3.93	6.0			3.50	429	325	3.40	5.9			4.15	487	287	3.00	5.9			4.90	564	248	2.59	6.5			5.20	638	219	2.29	6.1			5.35	281	497			5.19	8.0	1.35	314	445			4.65	7.8	1.50	348	402	4.20	7.7	2.00	383	365	3.81	7.5	2.20	432	323	3.38	7.3	2.50	476	294	3.07	7.2	2.80	553	253	2.64	6.9	3.20	635	220	2.30	6.7	3.70	749	187	1.95	6.4	4.00	854	164	1.71	6.1	4.20	1014	138	1.44	5.9	4.60	323	432	4.52	6.3	1.35	GR109 GRF109	4P	361	387	4.04	6.2	1.50			401	348	3.64	6.1	1.65			442	316	3.30	6.0	1.85			500	279	2.92	5.8	2.10			553	253	2.64	5.7	2.30			652	214	2.24	5.4	2.70			745	188	1.96	5.3	3.00			890	157	1.64	5.0	3.20			1028	136	1.42	4.8	3.30					420	333	3.48	4.0			1.20	472	296	3.09	4.3	1.35	529	264	2.76	4.2	1.50	589	237	2.48	4.1	1.65	679	206	2.15	4.0	1.80	756	185	1.93	3.9	1.90	913	153	1.60	3.8	2.00	1050	133	1.39	3.6	2.10																																																																																																																																																																									
22	6077	65.20	54	1.25			25	5515	59.17			54	1.40	29	4741		50.86		55	1.60	33	4138	44.39	56	1.85			39	3509	37.65	57	2.20			44	3068	32.91	57	2.50			52	2594	27.83	57	2.80			61	2248	24.12	57	3.20			66	2051	22.00	57	3.50	77	1775	19.04	57	4.00	31	4440	47.63	23	0.90	GR139 GRF139	4P	36	3763	40.37	23	1.10			41	3287	35.26	22	1.25			50	2749	29.49	21	1.50			47	2868	30.77	22	1.40	GR139 GRF139	4P	53	2571	27.58	21	1.60			59	2321	24.90	21	1.75			65	2108	22.62	20	1.95			73	1871	20.07	20	2.20			80	1697	18.21	19	2.40			93	1459	15.65	19	2.80			107	1273	13.66	18	3.20			224	624	6.52	16	1.80			GR109 GRF109	4P	249	562	5.87					12	2.35	277					505			5.28	12			2.65	339	412	4.31	10			2.80	372	376	3.93	6.0			3.50	429	325	3.40	5.9			4.15	487	287	3.00	5.9			4.90	564	248	2.59	6.5			5.20	638	219	2.29	6.1			5.35	281	497	5.19	8.0			1.35	314	445			4.65	7.8	1.50	348	402	4.20	7.7	2.00	383	365	3.81	7.5	2.20	432	323	3.38	7.3	2.50	476	294	3.07	7.2	2.80	553	253	2.64	6.9	3.20	635	220	2.30	6.7	3.70	749	187	1.95	6.4	4.00	854	164	1.71	6.1	4.20	1014	138	1.44	5.9	4.60	323	432	4.52	6.3	1.35	GR109 GRF109	4P	361	387	4.04	6.2	1.50			401	348	3.64	6.1	1.65			442	316	3.30	6.0	1.85			500	279	2.92	5.8	2.10			553	253	2.64	5.7	2.30			652	214	2.24	5.4	2.70			745	188	1.96	5.3	3.00			890	157	1.64	5.0	3.20			1028	136	1.42	4.8	3.30			420	333	3.48	4.0	1.20					472	296	3.09	4.3	1.35	529	264	2.76	4.2	1.50	589	237	2.48	4.1	1.65	679	206	2.15	4.0	1.80	756	185	1.93	3.9	1.90	913	153	1.60	3.8	2.00	1050	133	1.39	3.6	2.10																																																																																																																																																																																
25	5515	59.17	54	1.40			29	4741	50.86			55	1.60	33	4138		44.39		56	1.85	39	3509	37.65	57	2.20			44	3068	32.91	57	2.50			52	2594	27.83	57	2.80			61	2248	24.12	57	3.20			66	2051	22.00	57	3.50	77	1775	19.04	57	4.00	31	4440	47.63	23	0.90	GR139 GRF139	4P	36	3763	40.37	23	1.10			41	3287	35.26	22	1.25			50	2749	29.49	21	1.50			47	2868	30.77	22	1.40	GR139 GRF139	4P	53	2571	27.58	21	1.60			59	2321	24.90	21	1.75			65	2108	22.62	20	1.95			73	1871	20.07	20	2.20			80	1697	18.21	19	2.40			93	1459	15.65	19	2.80			107	1273	13.66	18	3.20			224	624	6.52	16	1.80			GR109 GRF109	4P	249	562	5.87					12	2.35	277					505	5.28	12					2.65	339	412	4.31	10			2.80	372	376	3.93	6.0			3.50	429	325	3.40	5.9			4.15	487	287	3.00	5.9			4.90	564	248	2.59	6.5			5.20	638	219	2.29	6.1			5.35	281	497	5.19	8.0			1.35	314	445	4.65	7.8			1.50	348	402	4.20	7.7	2.00	383	365	3.81	7.5	2.20	432	323	3.38	7.3	2.50	476	294	3.07	7.2	2.80	553	253	2.64	6.9	3.20	635	220	2.30	6.7	3.70	749	187	1.95	6.4	4.00	854	164	1.71	6.1	4.20	1014	138	1.44	5.9	4.60	323	432	4.52	6.3	1.35	GR109 GRF109	4P	361	387	4.04	6.2	1.50			401	348	3.64	6.1	1.65			442	316	3.30	6.0	1.85			500	279	2.92	5.8	2.10			553	253	2.64	5.7	2.30			652	214	2.24	5.4	2.70			745	188	1.96	5.3	3.00			890	157	1.64	5.0	3.20			1028	136	1.42	4.8	3.30			420	333	3.48	4.0	1.20			472	296	3.09	4.3	1.35		529	264		2.76	4.2	1.50	589	237	2.48	4.1	1.65	679	206	2.15	4.0	1.80	756	185	1.93	3.9	1.90	913	153	1.60	3.8	2.00	1050	133	1.39	3.6	2.10																																																																																																																																																																																							
29	4741	50.86	55	1.60			33	4138	44.39			56	1.85	39	3509		37.65		57	2.20	44	3068	32.91	57	2.50			52	2594	27.83	57	2.80			61	2248	24.12	57	3.20			66	2051	22.00	57	3.50	77	1775	19.04	57	4.00	31	4440	47.63	23	0.90	GR139 GRF139	4P	36	3763	40.37	23	1.10			41	3287	35.26	22	1.25			50	2749	29.49	21	1.50			47	2868	30.77	22	1.40	GR139 GRF139	4P	53	2571	27.58	21	1.60			59	2321	24.90	21	1.75			65	2108	22.62	20	1.95			73	1871	20.07	20	2.20			80	1697	18.21	19	2.40			93	1459	15.65	19	2.80			107	1273	13.66	18	3.20			224	624	6.52	16	1.80			GR109 GRF109	4P	249	562	5.87					12	2.35	277					505	5.28	12					2.65	339	412	4.31	10			2.80	372	376	3.93	6.0			3.50	429	325	3.40	5.9			4.15	487	287	3.00	5.9			4.90	564	248	2.59	6.5			5.20	638	219	2.29	6.1			5.35	281	497	5.19	8.0			1.35	314	445	4.65	7.8			1.50	348	402	4.20	7.7	2.00	383	365	3.81	7.5	2.20	432	323	3.38	7.3	2.50	476	294	3.07	7.2	2.80	553	253	2.64	6.9	3.20	635	220	2.30	6.7	3.70	749	187	1.95	6.4	4.00	854	164	1.71	6.1	4.20	1014	138	1.44	5.9	4.60	323	432	4.52	6.3	1.35	GR109 GRF109	4P	361	387	4.04	6.2	1.50			401	348	3.64	6.1	1.65			442	316	3.30	6.0	1.85			500	279	2.92	5.8	2.10			553	253	2.64	5.7	2.30			652	214	2.24	5.4	2.70			745	188	1.96	5.3	3.00			890	157	1.64	5.0	3.20			1028	136	1.42	4.8	3.30			420	333	3.48	4.0	1.20			472	296	3.09	4.3	1.35			529	264	2.76	4.2	1.50	589	237	2.48	4.1	1.65	679	206	2.15	4.0	1.80	756	185	1.93	3.9	1.90	913	153	1.60	3.8	2.00	1050	133	1.39	3.6	2.10																																																																																																																																																																																														
33	4138	44.39	56	1.85			39	3509	37.65			57	2.20	44	3068		32.91		57	2.50	52	2594	27.83	57	2.80			61	2248	24.12	57	3.20			66	2051	22.00	57	3.50	77	1775	19.04	57	4.00	31	4440	47.63	23	0.90	GR139 GRF139	4P	36	3763	40.37	23	1.10			41	3287	35.26	22	1.25			50	2749	29.49	21	1.50			47	2868	30.77	22	1.40	GR139 GRF139	4P	53	2571	27.58	21	1.60			59	2321	24.90	21	1.75			65	2108	22.62	20	1.95			73	1871	20.07	20	2.20			80	1697	18.21	19	2.40			93	1459	15.65	19	2.80			107	1273	13.66	18	3.20			224	624	6.52	16	1.80			GR109 GRF109	4P	249	562	5.87					12	2.35	277					505	5.28	12					2.65	339	412	4.31	10			2.80	372	376	3.93	6.0			3.50	429	325	3.40	5.9			4.15	487	287	3.00	5.9			4.90	564	248	2.59	6.5			5.20	638	219	2.29	6.1			5.35	281	497	5.19	8.0			1.35	314	445	4.65	7.8			1.50	348	402	4.20	7.7	2.00	383	365	3.81	7.5	2.20	432	323	3.38	7.3	2.50	476	294	3.07	7.2	2.80	553	253	2.64	6.9	3.20	635	220	2.30	6.7	3.70	749	187	1.95	6.4	4.00	854	164	1.71	6.1	4.20	1014	138	1.44	5.9	4.60	323	432	4.52	6.3	1.35	GR109 GRF109	4P	361	387	4.04	6.2	1.50			401	348	3.64	6.1	1.65			442	316	3.30	6.0	1.85			500	279	2.92	5.8	2.10			553	253	2.64	5.7	2.30			652	214	2.24	5.4	2.70			745	188	1.96	5.3	3.00			890	157	1.64	5.0	3.20			1028	136	1.42	4.8	3.30			420	333	3.48	4.0	1.20			472	296	3.09	4.3	1.35			529	264	2.76	4.2	1.50	589	237	2.48	4.1	1.65	679	206	2.15	4.0	1.80	756	185	1.93	3.9	1.90	913	153	1.60	3.8	2.00	1050	133	1.39	3.6	2.10																																																																																																																																																																																																					
39	3509	37.65	57	2.20			44	3068	32.91			57	2.50	52	2594		27.83		57	2.80	61	2248	24.12	57	3.20			66	2051	22.00	57	3.50	77	1775	19.04	57	4.00	31	4440	47.63	23	0.90	GR139 GRF139	4P	36	3763	40.37	23	1.10			41	3287	35.26	22	1.25			50	2749	29.49	21	1.50			47	2868	30.77	22	1.40	GR139 GRF139	4P	53	2571	27.58	21	1.60			59	2321	24.90	21	1.75			65	2108	22.62	20	1.95			73	1871	20.07	20	2.20			80	1697	18.21	19	2.40			93	1459	15.65	19	2.80			107	1273	13.66	18	3.20			224	624	6.52	16	1.80			GR109 GRF109	4P	249	562	5.87					12	2.35	277					505	5.28	12					2.65	339	412	4.31	10			2.80	372	376	3.93	6.0			3.50	429	325	3.40	5.9			4.15	487	287	3.00	5.9			4.90	564	248	2.59	6.5			5.20	638	219	2.29	6.1			5.35	281	497	5.19	8.0			1.35	314	445	4.65	7.8			1.50	348	402	4.20	7.7	2.00	383	365	3.81	7.5	2.20	432	323	3.38	7.3	2.50	476	294	3.07	7.2	2.80	553	253	2.64	6.9	3.20	635	220	2.30	6.7	3.70	749	187	1.95	6.4	4.00	854	164	1.71	6.1	4.20	1014	138	1.44	5.9	4.60	323	432	4.52	6.3	1.35	GR109 GRF109	4P	361	387	4.04	6.2	1.50			401	348	3.64	6.1	1.65			442	316	3.30	6.0	1.85			500	279	2.92	5.8	2.10			553	253	2.64	5.7	2.30			652	214	2.24	5.4	2.70			745	188	1.96	5.3	3.00			890	157	1.64	5.0	3.20			1028	136	1.42	4.8	3.30			420	333	3.48	4.0	1.20			472	296	3.09	4.3	1.35			529	264	2.76	4.2	1.50	589	237	2.48	4.1	1.65	679	206	2.15	4.0	1.80	756	185	1.93	3.9	1.90	913	153	1.60	3.8	2.00	1050	133	1.39	3.6	2.10																																																																																																																																																																																																												
44	3068	32.91	57	2.50			52	2594	27.83			57	2.80	61	2248		24.12		57	3.20	66	2051	22.00	57	3.50	77	1775	19.04	57	4.00	31	4440	47.63	23	0.90	GR139 GRF139	4P	36	3763	40.37	23	1.10			41	3287	35.26	22	1.25			50	2749	29.49	21	1.50			47	2868	30.77	22	1.40	GR139 GRF139	4P	53	2571	27.58	21	1.60			59	2321	24.90	21	1.75			65	2108	22.62	20	1.95			73	1871	20.07	20	2.20			80	1697	18.21	19	2.40			93	1459	15.65	19	2.80			107	1273	13.66	18	3.20			224	624	6.52	16	1.80			GR109 GRF109	4P	249	562	5.87					12	2.35	277					505	5.28	12					2.65	339	412	4.31	10			2.80	372	376	3.93	6.0			3.50	429	325	3.40	5.9			4.15	487	287	3.00	5.9			4.90	564	248	2.59	6.5			5.20	638	219	2.29	6.1			5.35	281	497	5.19	8.0			1.35	314	445	4.65	7.8			1.50	348	402	4.20	7.7	2.00	383	365	3.81	7.5	2.20	432	323	3.38	7.3	2.50	476	294	3.07	7.2	2.80	553	253	2.64	6.9	3.20	635	220	2.30	6.7	3.70	749	187	1.95	6.4	4.00	854	164	1.71	6.1	4.20	1014	138	1.44	5.9	4.60	323	432	4.52	6.3	1.35	GR109 GRF109	4P	361	387	4.04	6.2	1.50			401	348	3.64	6.1	1.65			442	316	3.30	6.0	1.85			500	279	2.92	5.8	2.10			553	253	2.64	5.7	2.30			652	214	2.24	5.4	2.70			745	188	1.96	5.3	3.00			890	157	1.64	5.0	3.20			1028	136	1.42	4.8	3.30			420	333	3.48	4.0	1.20			472	296	3.09	4.3	1.35			529	264	2.76	4.2	1.50	589	237	2.48	4.1	1.65	679	206	2.15	4.0	1.80	756	185	1.93	3.9	1.90	913	153	1.60	3.8	2.00	1050	133	1.39	3.6	2.10																																																																																																																																																																																																																			
52	2594	27.83	57	2.80			61	2248	24.12			57	3.20	66	2051	22.00	57	3.50	77	1775	19.04	57	4.00	31	4440	47.63	23	0.90	GR139 GRF139	4P	36	3763	40.37	23	1.10			41	3287	35.26	22	1.25			50	2749	29.49	21	1.50			47	2868	30.77	22	1.40	GR139 GRF139	4P	53	2571	27.58	21	1.60			59	2321	24.90	21	1.75			65	2108	22.62	20	1.95			73	1871	20.07	20	2.20			80	1697	18.21	19	2.40			93	1459	15.65	19	2.80			107	1273	13.66	18	3.20			224	624	6.52	16	1.80			GR109 GRF109	4P	249	562	5.87					12	2.35	277					505	5.28	12					2.65	339	412	4.31	10			2.80	372	376	3.93	6.0			3.50	429	325	3.40	5.9			4.15	487	287	3.00	5.9			4.90	564	248	2.59	6.5			5.20	638	219	2.29	6.1			5.35	281	497	5.19	8.0			1.35	314	445	4.65	7.8			1.50	348	402	4.20	7.7	2.00	383	365	3.81	7.5	2.20	432	323	3.38	7.3	2.50	476	294	3.07	7.2	2.80	553	253	2.64	6.9	3.20	635	220	2.30	6.7	3.70	749	187	1.95	6.4	4.00	854	164	1.71	6.1	4.20	1014	138	1.44	5.9	4.60	323	432	4.52	6.3	1.35	GR109 GRF109	4P	361	387	4.04	6.2	1.50			401	348	3.64	6.1	1.65			442	316	3.30	6.0	1.85			500	279	2.92	5.8	2.10			553	253	2.64	5.7	2.30			652	214	2.24	5.4	2.70			745	188	1.96	5.3	3.00			890	157	1.64	5.0	3.20			1028	136	1.42	4.8	3.30			420	333	3.48	4.0	1.20			472	296	3.09	4.3	1.35			529	264	2.76	4.2	1.50	589	237	2.48	4.1	1.65	679	206	2.15	4.0	1.80	756	185	1.93	3.9	1.90	913	153	1.60	3.8	2.00	1050	133	1.39	3.6	2.10																																																																																																																																																																																																																										
61	2248	24.12	57	3.20			66	2051	22.00	57	3.50	77	1775	19.04	57	4.00	31	4440	47.63	23	0.90	GR139 GRF139	4P	36	3763	40.37	23	1.10			41	3287	35.26	22	1.25			50	2749	29.49	21	1.50			47	2868	30.77	22	1.40	GR139 GRF139	4P	53	2571	27.58	21	1.60			59	2321	24.90	21	1.75			65	2108	22.62	20	1.95			73	1871	20.07	20	2.20			80	1697	18.21	19	2.40			93	1459	15.65	19	2.80			107	1273	13.66	18	3.20			224	624	6.52	16	1.80			GR109 GRF109	4P	249	562	5.87					12	2.35	277					505	5.28	12					2.65	339	412	4.31	10			2.80	372	376	3.93	6.0			3.50	429	325	3.40	5.9			4.15	487	287	3.00	5.9			4.90	564	248	2.59	6.5			5.20	638	219	2.29	6.1			5.35	281	497	5.19	8.0			1.35	314	445	4.65	7.8			1.50	348	402	4.20	7.7	2.00	383	365	3.81	7.5	2.20	432	323	3.38	7.3	2.50	476	294	3.07	7.2	2.80	553	253	2.64	6.9	3.20	635	220	2.30	6.7	3.70	749	187	1.95	6.4	4.00	854	164	1.71	6.1	4.20	1014	138	1.44	5.9	4.60	323	432	4.52	6.3	1.35	GR109 GRF109	4P	361	387	4.04	6.2	1.50			401	348	3.64	6.1	1.65			442	316	3.30	6.0	1.85			500	279	2.92	5.8	2.10			553	253	2.64	5.7	2.30			652	214	2.24	5.4	2.70			745	188	1.96	5.3	3.00			890	157	1.64	5.0	3.20			1028	136	1.42	4.8	3.30			420	333	3.48	4.0	1.20			472	296	3.09	4.3	1.35			529	264	2.76	4.2	1.50	589	237	2.48	4.1	1.65	679	206	2.15	4.0	1.80	756	185	1.93	3.9	1.90	913	153	1.60	3.8	2.00	1050	133	1.39	3.6	2.10																																																																																																																																																																																																																																	
66	2051	22.00	57	3.50	77	1775	19.04	57	4.00	31	4440	47.63	23	0.90	GR139 GRF139	4P	36	3763	40.37	23	1.10			41	3287	35.26	22	1.25			50	2749	29.49	21	1.50			47	2868	30.77	22	1.40	GR139 GRF139	4P	53	2571	27.58	21	1.60			59	2321	24.90	21	1.75			65	2108	22.62	20	1.95			73	1871	20.07	20	2.20			80	1697	18.21	19	2.40			93	1459	15.65	19	2.80			107	1273	13.66	18	3.20			224	624	6.52	16	1.80			GR109 GRF109	4P	249	562	5.87					12	2.35	277					505	5.28	12					2.65	339	412	4.31	10			2.80	372	376	3.93	6.0			3.50	429	325	3.40	5.9			4.15	487	287	3.00	5.9			4.90	564	248	2.59	6.5			5.20	638	219	2.29	6.1			5.35	281	497	5.19	8.0			1.35	314	445	4.65	7.8			1.50	348	402	4.20	7.7	2.00	383	365	3.81	7.5	2.20	432	323	3.38	7.3	2.50	476	294	3.07	7.2	2.80	553	253	2.64	6.9	3.20	635	220	2.30	6.7	3.70	749	187	1.95	6.4	4.00	854	164	1.71	6.1	4.20	1014	138	1.44	5.9	4.60	323	432	4.52	6.3	1.35	GR109 GRF109	4P	361	387	4.04	6.2	1.50			401	348	3.64	6.1	1.65			442	316	3.30	6.0	1.85			500	279	2.92	5.8	2.10			553	253	2.64	5.7	2.30			652	214	2.24	5.4	2.70			745	188	1.96	5.3	3.00			890	157	1.64	5.0	3.20			1028	136	1.42	4.8	3.30			420	333	3.48	4.0	1.20			472	296	3.09	4.3	1.35			529	264	2.76	4.2	1.50	589	237	2.48	4.1	1.65	679	206	2.15	4.0	1.80	756	185	1.93	3.9	1.90	913	153	1.60	3.8	2.00	1050	133	1.39	3.6	2.10																																																																																																																																																																																																																																								
77	1775	19.04	57	4.00	31	4440	47.63	23	0.90	GR139 GRF139	4P	36	3763	40.37			23	1.10	41	3287	35.26			22	1.25	50	2749	29.49			21	1.50	47	2868	30.77	22	1.40	GR139 GRF139	4P	53	2571	27.58			21	1.60	59	2321	24.90			21	1.75	65	2108	22.62			20	1.95	73	1871	20.07			20	2.20	80	1697	18.21			19	2.40	93	1459	15.65			19	2.80	107	1273	13.66			18	3.20	224	624	6.52			16	1.80	GR109 GRF109	4P	249					562	5.87	12					2.35	277	505					5.28	12	2.65	339	412			4.31	10	2.80	372	376			3.93	6.0	3.50	429	325			3.40	5.9	4.15	487	287			3.00	5.9	4.90	564	248			2.59	6.5	5.20	638	219			2.29	6.1	5.35	281	497			5.19	8.0	1.35	314	445			4.65	7.8	1.50	348	402	4.20	7.7	2.00	383	365	3.81	7.5	2.20	432	323	3.38	7.3	2.50	476	294	3.07	7.2	2.80	553	253	2.64	6.9	3.20	635	220	2.30	6.7	3.70	749	187	1.95	6.4	4.00	854	164	1.71	6.1	4.20	1014	138	1.44	5.9	4.60	323	432	4.52	6.3	1.35	GR109 GRF109	4P	361	387	4.04			6.2	1.50	401	348	3.64			6.1	1.65	442	316	3.30			6.0	1.85	500	279	2.92			5.8	2.10	553	253	2.64			5.7	2.30	652	214	2.24			5.4	2.70	745	188	1.96			5.3	3.00	890	157	1.64			5.0	3.20	1028	136	1.42			4.8	3.30	420	333	3.48			4.0	1.20	472	296	3.09			4.3	1.35	529	264	2.76	4.2	1.50	589	237	2.48	4.1	1.65	679	206	2.15	4.0	1.80	756	185	1.93	3.9	1.90	913	153	1.60	3.8	2.00	1050	133	1.39	3.6	2.10																																																																																																																																																																																																																																													
31	4440	47.63	23	0.90	GR139 GRF139	4P	36	3763	40.37			23	1.10	41			3287	35.26	22	1.25	50			2749	29.49	21	1.50	47	2868	30.77	22	1.40	GR139 GRF139	4P	53	2571	27.58			21	1.60	59			2321	24.90	21	1.75	65			2108	22.62	20	1.95	73			1871	20.07	20	2.20	80			1697	18.21	19	2.40	93			1459	15.65	19	2.80	107			1273	13.66	18	3.20	224			624	6.52	16	1.80	GR109 GRF109			4P	249			562					5.87	12	2.35					277	505	5.28	12	2.65			339	412	4.31	10	2.80			372	376	3.93	6.0	3.50			429	325	3.40	5.9	4.15			487	287	3.00	5.9	4.90			564	248	2.59	6.5	5.20			638	219	2.29	6.1	5.35			281	497	5.19	8.0	1.35			314	445	4.65	7.8	1.50	348	402	4.20	7.7	2.00	383	365	3.81	7.5	2.20	432	323	3.38	7.3	2.50	476	294	3.07	7.2	2.80	553	253	2.64	6.9	3.20	635	220	2.30	6.7	3.70	749	187	1.95	6.4	4.00	854	164	1.71	6.1	4.20	1014	138	1.44	5.9	4.60	323	432	4.52	6.3	1.35	GR109 GRF109	4P	361	387	4.04			6.2	1.50	401			348	3.64	6.1	1.65	442			316	3.30	6.0	1.85	500			279	2.92	5.8	2.10	553			253	2.64	5.7	2.30	652			214	2.24	5.4	2.70	745			188	1.96	5.3	3.00	890			157	1.64	5.0	3.20	1028			136	1.42	4.8	3.30	420			333	3.48	4.0	1.20	472			296	3.09	4.3	1.35	529	264	2.76	4.2	1.50	589	237	2.48	4.1	1.65	679	206	2.15	4.0	1.80	756	185	1.93	3.9	1.90	913	153	1.60	3.8	2.00	1050	133	1.39	3.6	2.10																																																																																																																																																																																																																																																		
36	3763	40.37	23	1.10			41	3287	35.26			22	1.25	50			2749	29.49	21	1.50	47	2868	30.77	22	1.40	GR139 GRF139	4P	53	2571	27.58	21	1.60			59	2321	24.90			21	1.75	65			2108	22.62	20	1.95	73			1871	20.07	20	2.20	80			1697	18.21	19	2.40	93			1459	15.65	19	2.80	107			1273	13.66	18	3.20	224			624	6.52	16	1.80	GR109 GRF109			4P	249	562	5.87					12			2.35					277	505	5.28	12	2.65			339	412	4.31	10	2.80			372	376	3.93	6.0	3.50			429	325	3.40	5.9	4.15			487	287	3.00	5.9	4.90			564	248	2.59	6.5	5.20			638	219	2.29	6.1	5.35			281	497	5.19	8.0	1.35			314	445	4.65	7.8	1.50	348	402	4.20	7.7	2.00	383	365	3.81	7.5	2.20	432	323	3.38	7.3	2.50	476	294	3.07	7.2	2.80	553	253	2.64	6.9	3.20	635	220	2.30	6.7	3.70	749	187	1.95	6.4	4.00	854	164	1.71	6.1	4.20	1014	138	1.44	5.9	4.60	323	432	4.52	6.3	1.35	GR109 GRF109	4P	361	387	4.04	6.2	1.50			401	348	3.64			6.1	1.65	442			316	3.30	6.0	1.85	500			279	2.92	5.8	2.10	553			253	2.64	5.7	2.30	652			214	2.24	5.4	2.70	745			188	1.96	5.3	3.00	890			157	1.64	5.0	3.20	1028			136	1.42	4.8	3.30	420			333	3.48	4.0	1.20	472			296	3.09	4.3	1.35	529	264	2.76	4.2	1.50	589	237	2.48	4.1	1.65	679	206	2.15	4.0	1.80	756	185	1.93	3.9	1.90	913	153	1.60	3.8	2.00	1050	133	1.39	3.6	2.10																																																																																																																																																																																																																																																									
41	3287	35.26	22	1.25			50	2749	29.49			21	1.50	47	2868	30.77	22	1.40	GR139 GRF139	4P	53	2571	27.58	21	1.60			59	2321	24.90	21	1.75			65	2108	22.62			20	1.95	73			1871	20.07	20	2.20	80			1697	18.21	19	2.40	93			1459	15.65	19	2.80	107			1273	13.66	18	3.20	224			624	6.52	16	1.80	GR109 GRF109			4P	249	562	5.87					12	2.35	277					505			5.28	12	2.65			339	412	4.31	10	2.80			372	376	3.93	6.0	3.50			429	325	3.40	5.9	4.15			487	287	3.00	5.9	4.90			564	248	2.59	6.5	5.20			638	219	2.29	6.1	5.35			281	497	5.19	8.0	1.35			314	445	4.65	7.8	1.50	348	402	4.20	7.7	2.00	383	365	3.81	7.5	2.20	432	323	3.38	7.3	2.50	476	294	3.07	7.2	2.80	553	253	2.64	6.9	3.20	635	220	2.30	6.7	3.70	749	187	1.95	6.4	4.00	854	164	1.71	6.1	4.20	1014	138	1.44	5.9	4.60	323	432	4.52	6.3	1.35	GR109 GRF109	4P	361	387	4.04	6.2	1.50			401	348	3.64	6.1	1.65			442	316	3.30			6.0	1.85	500			279	2.92	5.8	2.10	553			253	2.64	5.7	2.30	652			214	2.24	5.4	2.70	745			188	1.96	5.3	3.00	890			157	1.64	5.0	3.20	1028			136	1.42	4.8	3.30	420			333	3.48	4.0	1.20	472			296	3.09	4.3	1.35	529	264	2.76	4.2	1.50	589	237	2.48	4.1	1.65	679	206	2.15	4.0	1.80	756	185	1.93	3.9	1.90	913	153	1.60	3.8	2.00	1050	133	1.39	3.6	2.10																																																																																																																																																																																																																																																																
50	2749	29.49	21	1.50			47	2868	30.77	22	1.40	GR139 GRF139	4P	53	2571	27.58	21	1.60			59	2321	24.90	21	1.75			65	2108	22.62	20	1.95			73	1871	20.07			20	2.20	80			1697	18.21	19	2.40	93			1459	15.65	19	2.80	107			1273	13.66	18	3.20	224			624	6.52	16	1.80	GR109 GRF109			4P	249	562	5.87					12	2.35	277					505	5.28	12		2.65	339		412			4.31	10	2.80			372	376	3.93	6.0	3.50			429	325	3.40	5.9	4.15			487	287	3.00	5.9	4.90			564	248	2.59	6.5	5.20			638	219	2.29	6.1	5.35			281	497	5.19	8.0	1.35			314	445	4.65	7.8	1.50	348	402	4.20	7.7	2.00	383	365	3.81	7.5	2.20	432	323	3.38	7.3	2.50	476	294	3.07	7.2	2.80	553	253	2.64	6.9	3.20	635	220	2.30	6.7	3.70	749	187	1.95	6.4	4.00	854	164	1.71	6.1	4.20	1014	138	1.44	5.9	4.60	323	432	4.52	6.3	1.35	GR109 GRF109	4P	361	387	4.04	6.2	1.50			401	348	3.64	6.1	1.65			442	316	3.30	6.0	1.85			500	279	2.92			5.8	2.10	553			253	2.64	5.7	2.30	652			214	2.24	5.4	2.70	745			188	1.96	5.3	3.00	890			157	1.64	5.0	3.20	1028			136	1.42	4.8	3.30	420			333	3.48	4.0	1.20	472			296	3.09	4.3	1.35	529	264	2.76	4.2	1.50	589	237	2.48	4.1	1.65	679	206	2.15	4.0	1.80	756	185	1.93	3.9	1.90	913	153	1.60	3.8	2.00	1050	133	1.39	3.6	2.10																																																																																																																																																																																																																																																																							
47	2868	30.77	22	1.40	GR139 GRF139	4P	53	2571	27.58	21	1.60			59	2321	24.90	21	1.75			65	2108	22.62	20	1.95			73	1871	20.07	20	2.20			80	1697	18.21			19	2.40	93			1459	15.65	19	2.80	107			1273	13.66	18	3.20	224			624	6.52	16	1.80	GR109 GRF109			4P	249	562	5.87					12	2.35	277					505	5.28	12		2.65	339		412	4.31	10		2.80	372		376			3.93	6.0	3.50			429	325	3.40	5.9	4.15			487	287	3.00	5.9	4.90			564	248	2.59	6.5	5.20			638	219	2.29	6.1	5.35			281	497	5.19	8.0	1.35			314	445	4.65	7.8	1.50	348	402	4.20	7.7	2.00	383	365	3.81	7.5	2.20	432	323	3.38	7.3	2.50	476	294	3.07	7.2	2.80	553	253	2.64	6.9	3.20	635	220	2.30	6.7	3.70	749	187	1.95	6.4	4.00	854	164	1.71	6.1	4.20	1014	138	1.44	5.9	4.60	323	432	4.52	6.3	1.35	GR109 GRF109	4P	361	387	4.04	6.2	1.50			401	348	3.64	6.1	1.65			442	316	3.30	6.0	1.85			500	279	2.92	5.8	2.10			553	253	2.64			5.7	2.30	652			214	2.24	5.4	2.70	745			188	1.96	5.3	3.00	890			157	1.64	5.0	3.20	1028			136	1.42	4.8	3.30	420			333	3.48	4.0	1.20	472			296	3.09	4.3	1.35	529	264	2.76	4.2	1.50	589	237	2.48	4.1	1.65	679	206	2.15	4.0	1.80	756	185	1.93	3.9	1.90	913	153	1.60	3.8	2.00	1050	133	1.39	3.6	2.10																																																																																																																																																																																																																																																																														
53	2571	27.58	21	1.60			59	2321	24.90	21	1.75			65	2108	22.62	20	1.95			73	1871	20.07	20	2.20			80	1697	18.21	19	2.40			93	1459	15.65			19	2.80	107			1273	13.66	18	3.20	224			624	6.52	16	1.80	GR109 GRF109			4P	249	562	5.87					12	2.35	277					505	5.28	12		2.65	339		412	4.31	10		2.80	372		376	3.93	6.0		3.50	429		325			3.40	5.9	4.15			487	287	3.00	5.9	4.90			564	248	2.59	6.5	5.20			638	219	2.29	6.1	5.35			281	497	5.19	8.0	1.35			314	445	4.65	7.8	1.50	348	402	4.20	7.7	2.00	383	365	3.81	7.5	2.20	432	323	3.38	7.3	2.50	476	294	3.07	7.2	2.80	553	253	2.64	6.9	3.20	635	220	2.30	6.7	3.70	749	187	1.95	6.4	4.00	854	164	1.71	6.1	4.20	1014	138	1.44	5.9	4.60	323	432	4.52	6.3	1.35	GR109 GRF109	4P	361	387	4.04	6.2	1.50			401	348	3.64	6.1	1.65			442	316	3.30	6.0	1.85			500	279	2.92	5.8	2.10			553	253	2.64	5.7	2.30			652	214	2.24			5.4	2.70	745			188	1.96	5.3	3.00	890			157	1.64	5.0	3.20	1028			136	1.42	4.8	3.30	420			333	3.48	4.0	1.20	472			296	3.09	4.3	1.35	529	264	2.76	4.2	1.50	589	237	2.48	4.1	1.65	679	206	2.15	4.0	1.80	756	185	1.93	3.9	1.90	913	153	1.60	3.8	2.00	1050	133	1.39	3.6	2.10																																																																																																																																																																																																																																																																																					
59	2321	24.90	21	1.75			65	2108	22.62	20	1.95			73	1871	20.07	20	2.20			80	1697	18.21	19	2.40			93	1459	15.65	19	2.80			107	1273	13.66			18	3.20	224			624	6.52	16	1.80	GR109 GRF109			4P	249	562	5.87					12	2.35	277					505	5.28	12		2.65	339		412	4.31	10		2.80	372		376	3.93	6.0		3.50	429		325	3.40	5.9		4.15	487		287			3.00	5.9	4.90			564	248	2.59	6.5	5.20			638	219	2.29	6.1	5.35			281	497	5.19	8.0	1.35			314	445	4.65	7.8	1.50	348	402	4.20	7.7	2.00	383	365	3.81	7.5	2.20	432	323	3.38	7.3	2.50	476	294	3.07	7.2	2.80	553	253	2.64	6.9	3.20	635	220	2.30	6.7	3.70	749	187	1.95	6.4	4.00	854	164	1.71	6.1	4.20	1014	138	1.44	5.9	4.60	323	432	4.52	6.3	1.35	GR109 GRF109	4P	361	387	4.04	6.2	1.50			401	348	3.64	6.1	1.65			442	316	3.30	6.0	1.85			500	279	2.92	5.8	2.10			553	253	2.64	5.7	2.30			652	214	2.24	5.4	2.70			745	188	1.96			5.3	3.00	890			157	1.64	5.0	3.20	1028			136	1.42	4.8	3.30	420			333	3.48	4.0	1.20	472			296	3.09	4.3	1.35	529	264	2.76	4.2	1.50	589	237	2.48	4.1	1.65	679	206	2.15	4.0	1.80	756	185	1.93	3.9	1.90	913	153	1.60	3.8	2.00	1050	133	1.39	3.6	2.10																																																																																																																																																																																																																																																																																												
65	2108	22.62	20	1.95			73	1871	20.07	20	2.20			80	1697	18.21	19	2.40			93	1459	15.65	19	2.80			107	1273	13.66	18	3.20			224	624	6.52			16	1.80	GR109 GRF109			4P	249	562	5.87					12	2.35	277					505	5.28	12		2.65	339		412	4.31	10		2.80	372		376	3.93	6.0		3.50	429		325	3.40	5.9		4.15	487		287	3.00	5.9		4.90	564		248			2.59	6.5	5.20			638	219	2.29	6.1	5.35			281	497	5.19	8.0	1.35			314	445	4.65	7.8	1.50	348	402	4.20	7.7	2.00	383	365	3.81	7.5	2.20	432	323	3.38	7.3	2.50	476	294	3.07	7.2	2.80	553	253	2.64	6.9	3.20	635	220	2.30	6.7	3.70	749	187	1.95	6.4	4.00	854	164	1.71	6.1	4.20	1014	138	1.44	5.9	4.60	323	432	4.52	6.3	1.35	GR109 GRF109	4P	361	387	4.04	6.2	1.50			401	348	3.64	6.1	1.65			442	316	3.30	6.0	1.85			500	279	2.92	5.8	2.10			553	253	2.64	5.7	2.30			652	214	2.24	5.4	2.70			745	188	1.96	5.3	3.00			890	157	1.64			5.0	3.20	1028			136	1.42	4.8	3.30	420			333	3.48	4.0	1.20	472			296	3.09	4.3	1.35	529	264	2.76	4.2	1.50	589	237	2.48	4.1	1.65	679	206	2.15	4.0	1.80	756	185	1.93	3.9	1.90	913	153	1.60	3.8	2.00	1050	133	1.39	3.6	2.10																																																																																																																																																																																																																																																																																																			
73	1871	20.07	20	2.20			80	1697	18.21	19	2.40			93	1459	15.65	19	2.80			107	1273	13.66	18	3.20			224	624	6.52	16	1.80			GR109 GRF109	4P	249			562	5.87					12	2.35	277					505	5.28	12		2.65	339		412	4.31	10		2.80	372		376	3.93	6.0		3.50	429		325	3.40	5.9		4.15	487		287	3.00	5.9		4.90	564		248	2.59	6.5		5.20	638		219			2.29	6.1	5.35			281	497	5.19	8.0	1.35			314	445	4.65	7.8	1.50	348	402	4.20	7.7	2.00	383	365	3.81	7.5	2.20	432	323	3.38	7.3	2.50	476	294	3.07	7.2	2.80	553	253	2.64	6.9	3.20	635	220	2.30	6.7	3.70	749	187	1.95	6.4	4.00	854	164	1.71	6.1	4.20	1014	138	1.44	5.9	4.60	323	432	4.52	6.3	1.35	GR109 GRF109	4P	361	387	4.04	6.2	1.50			401	348	3.64	6.1	1.65			442	316	3.30	6.0	1.85			500	279	2.92	5.8	2.10			553	253	2.64	5.7	2.30			652	214	2.24	5.4	2.70			745	188	1.96	5.3	3.00			890	157	1.64	5.0	3.20			1028	136	1.42			4.8	3.30	420			333	3.48	4.0	1.20	472			296	3.09	4.3	1.35	529	264	2.76	4.2	1.50	589	237	2.48	4.1	1.65	679	206	2.15	4.0	1.80	756	185	1.93	3.9	1.90	913	153	1.60	3.8	2.00	1050	133	1.39	3.6	2.10																																																																																																																																																																																																																																																																																																										
80	1697	18.21	19	2.40			93	1459	15.65	19	2.80			107	1273	13.66	18	3.20			224	624	6.52	16	1.80			GR109 GRF109	4P	249	562	5.87					12			2.35	277					505	5.28	12		2.65	339		412	4.31	10		2.80	372		376	3.93	6.0		3.50	429		325	3.40	5.9		4.15	487		287	3.00	5.9		4.90	564		248	2.59	6.5		5.20	638		219	2.29	6.1		5.35	281		497			5.19	8.0	1.35			314	445	4.65	7.8	1.50	348	402	4.20	7.7	2.00	383	365	3.81	7.5	2.20	432	323	3.38	7.3	2.50	476	294	3.07	7.2	2.80	553	253	2.64	6.9	3.20	635	220	2.30	6.7	3.70	749	187	1.95	6.4	4.00	854	164	1.71	6.1	4.20	1014	138	1.44	5.9	4.60	323	432	4.52	6.3	1.35	GR109 GRF109	4P	361	387	4.04	6.2	1.50			401	348	3.64	6.1	1.65			442	316	3.30	6.0	1.85			500	279	2.92	5.8	2.10			553	253	2.64	5.7	2.30			652	214	2.24	5.4	2.70			745	188	1.96	5.3	3.00			890	157	1.64	5.0	3.20			1028	136	1.42	4.8	3.30			420	333	3.48			4.0	1.20	472			296	3.09	4.3	1.35	529	264	2.76	4.2	1.50	589	237	2.48	4.1	1.65	679	206	2.15	4.0	1.80	756	185	1.93	3.9	1.90	913	153	1.60	3.8	2.00	1050	133	1.39	3.6	2.10																																																																																																																																																																																																																																																																																																																	
93	1459	15.65	19	2.80			107	1273	13.66	18	3.20			224	624	6.52	16	1.80			GR109 GRF109	4P	249	562	5.87					12	2.35	277					505			5.28	12		2.65	339		412	4.31	10		2.80	372		376	3.93	6.0		3.50	429		325	3.40	5.9		4.15	487		287	3.00	5.9		4.90	564		248	2.59	6.5		5.20	638		219	2.29	6.1		5.35	281		497	5.19	8.0		1.35	314		445			4.65	7.8	1.50	348	402	4.20	7.7	2.00	383	365	3.81	7.5	2.20	432	323	3.38	7.3	2.50	476	294	3.07	7.2	2.80	553	253	2.64	6.9	3.20	635	220	2.30	6.7	3.70	749	187	1.95	6.4	4.00	854	164	1.71	6.1	4.20	1014	138	1.44	5.9	4.60	323	432	4.52	6.3	1.35	GR109 GRF109	4P	361	387	4.04	6.2	1.50			401	348	3.64	6.1	1.65			442	316	3.30	6.0	1.85			500	279	2.92	5.8	2.10			553	253	2.64	5.7	2.30			652	214	2.24	5.4	2.70			745	188	1.96	5.3	3.00			890	157	1.64	5.0	3.20			1028	136	1.42	4.8	3.30			420	333	3.48	4.0	1.20			472	296	3.09			4.3	1.35	529	264	2.76	4.2	1.50	589	237	2.48	4.1	1.65	679	206	2.15	4.0	1.80	756	185	1.93	3.9	1.90	913	153	1.60	3.8	2.00	1050	133	1.39	3.6	2.10																																																																																																																																																																																																																																																																																																																								
107	1273	13.66	18	3.20			224	624	6.52	16	1.80			GR109 GRF109	4P	249	562	5.87					12	2.35	277					505	5.28	12					2.65	339	412	4.31	10		2.80	372		376	3.93	6.0		3.50	429		325	3.40	5.9		4.15	487		287	3.00	5.9		4.90	564		248	2.59	6.5		5.20	638		219	2.29	6.1		5.35	281		497	5.19	8.0		1.35	314		445	4.65	7.8		1.50	348		402	4.20	7.7	2.00	383	365	3.81	7.5	2.20	432	323	3.38	7.3	2.50	476	294	3.07	7.2	2.80	553	253	2.64	6.9	3.20	635	220	2.30	6.7	3.70	749	187	1.95	6.4	4.00	854	164	1.71	6.1	4.20	1014	138	1.44	5.9	4.60	323	432	4.52	6.3	1.35	GR109 GRF109	4P	361	387	4.04	6.2	1.50			401	348	3.64	6.1	1.65			442	316	3.30	6.0	1.85			500	279	2.92	5.8	2.10			553	253	2.64	5.7	2.30			652	214	2.24	5.4	2.70			745	188	1.96	5.3	3.00			890	157	1.64	5.0	3.20			1028	136	1.42	4.8	3.30			420	333	3.48	4.0	1.20			472	296	3.09	4.3	1.35			529	264	2.76	4.2	1.50	589	237	2.48	4.1	1.65	679	206	2.15	4.0	1.80	756	185	1.93	3.9	1.90	913	153	1.60	3.8	2.00	1050	133	1.39	3.6	2.10																																																																																																																																																																																																																																																																																																																															
224	624	6.52	16	1.80			GR109 GRF109	4P	249	562	5.87					12	2.35	277					505	5.28	12					2.65	339	412	4.31	10			2.80	372	376	3.93	6.0		3.50	429		325	3.40	5.9		4.15	487		287	3.00	5.9		4.90	564		248	2.59	6.5		5.20	638		219	2.29	6.1		5.35	281		497	5.19	8.0		1.35	314		445	4.65	7.8		1.50	348		402	4.20	7.7	2.00	383	365	3.81	7.5	2.20	432	323	3.38	7.3	2.50	476	294	3.07	7.2	2.80	553	253	2.64	6.9	3.20	635	220	2.30	6.7	3.70	749	187	1.95	6.4	4.00	854	164	1.71	6.1	4.20	1014	138	1.44	5.9	4.60	323	432	4.52	6.3	1.35	GR109 GRF109	4P	361	387	4.04	6.2	1.50			401	348	3.64	6.1	1.65			442	316	3.30	6.0	1.85			500	279	2.92	5.8	2.10			553	253	2.64	5.7	2.30			652	214	2.24	5.4	2.70			745	188	1.96	5.3	3.00			890	157	1.64	5.0	3.20			1028	136	1.42	4.8	3.30			420	333	3.48	4.0	1.20			472	296	3.09	4.3	1.35			529	264	2.76	4.2	1.50	589	237	2.48	4.1	1.65	679	206	2.15	4.0	1.80	756	185	1.93	3.9	1.90	913	153	1.60	3.8	2.00	1050	133	1.39	3.6	2.10																																																																																																																																																																																																																																																																																																																																						
249	562	5.87	12	2.35					277	505	5.28					12	2.65	339					412	4.31	10	2.80	372			376	3.93	6.0	3.50	429			325	3.40	5.9	4.15	487		287	3.00		5.9	4.90	564		248	2.59		6.5	5.20	638		219	2.29		6.1	5.35	281		497	5.19		8.0	1.35	314		445	4.65		7.8	1.50	348		402	4.20		7.7	2.00	383	365	3.81	7.5	2.20	432	323	3.38	7.3	2.50	476	294	3.07	7.2	2.80	553	253	2.64	6.9	3.20	635	220	2.30	6.7	3.70	749	187	1.95	6.4	4.00	854	164	1.71	6.1	4.20	1014	138	1.44	5.9	4.60	323	432	4.52	6.3	1.35	GR109 GRF109	4P	361	387	4.04	6.2	1.50	401	348			3.64	6.1	1.65	442	316			3.30	6.0	1.85	500	279			2.92	5.8	2.10	553	253			2.64	5.7	2.30	652	214			2.24	5.4	2.70	745	188			1.96	5.3	3.00	890	157			1.64	5.0	3.20	1028	136			1.42	4.8	3.30	420	333			3.48	4.0	1.20	472	296			3.09	4.3	1.35	529	264			2.76	4.2	1.50	589	237	2.48	4.1	1.65	679	206	2.15	4.0	1.80	756	185	1.93	3.9	1.90	913	153	1.60	3.8	2.00	1050	133	1.39	3.6	2.10																																																																																																																																																																																																																																																																																																																																															
277	505	5.28	12	2.65					339	412	4.31					10	2.80	372	376	3.93			6.0	3.50	429	325	3.40			5.9	4.15	487	287	3.00			5.9	4.90	564	248	2.59		6.5	5.20		638	219	2.29		6.1	5.35		281	497	5.19		8.0	1.35		314	445	4.65		7.8	1.50		348	402	4.20		7.7	2.00		383	365	3.81	7.5	2.20	432	323	3.38	7.3	2.50	476	294	3.07	7.2	2.80	553	253	2.64	6.9	3.20	635	220	2.30	6.7	3.70	749	187	1.95	6.4	4.00	854	164	1.71	6.1	4.20	1014	138	1.44	5.9	4.60	323	432	4.52	6.3	1.35	GR109 GRF109	4P	361	387	4.04	6.2	1.50	401	348			3.64	6.1	1.65	442	316	3.30	6.0			1.85	500	279	2.92	5.8			2.10	553	253	2.64	5.7			2.30	652	214	2.24	5.4			2.70	745	188	1.96	5.3			3.00	890	157	1.64	5.0			3.20	1028	136	1.42	4.8			3.30	420	333	3.48	4.0			1.20	472	296	3.09	4.3			1.35	529	264	2.76	4.2			1.50	589	237	2.48	4.1	1.65	679	206	2.15	4.0	1.80	756	185	1.93	3.9	1.90	913	153	1.60	3.8	2.00	1050	133	1.39	3.6	2.10																																																																																																																																																																																																																																																																																																																																																								
339	412	4.31	10	2.80					372	376	3.93	6.0	3.50			429	325	3.40	5.9	4.15			487	287	3.00	5.9	4.90			564	248	2.59	6.5	5.20			638	219	2.29	6.1	5.35		281	497		5.19	8.0	1.35		314	445		4.65	7.8	1.50		348	402		4.20	7.7	2.00		383	365		3.81	7.5	2.20	432	323	3.38	7.3	2.50	476	294	3.07	7.2	2.80	553	253	2.64	6.9	3.20	635	220	2.30	6.7	3.70	749	187	1.95	6.4	4.00	854	164	1.71	6.1	4.20	1014	138	1.44	5.9	4.60	323	432	4.52	6.3	1.35	GR109 GRF109	4P	361	387	4.04	6.2	1.50	401	348			3.64	6.1	1.65	442	316	3.30	6.0			1.85	500	279	2.92	5.8	2.10	553			253	2.64	5.7	2.30	652			214	2.24	5.4	2.70	745			188	1.96	5.3	3.00	890			157	1.64	5.0	3.20	1028			136	1.42	4.8	3.30	420			333	3.48	4.0	1.20	472			296	3.09	4.3	1.35	529			264	2.76	4.2	1.50	589			237	2.48	4.1	1.65	679	206	2.15	4.0	1.80	756	185	1.93	3.9	1.90	913	153	1.60	3.8	2.00	1050	133	1.39	3.6	2.10																																																																																																																																																																																																																																																																																																																																																																	
372	376	3.93	6.0	3.50	429	325			3.40	5.9	4.15	487	287			3.00	5.9	4.90	564	248			2.59	6.5	5.20	638	219			2.29	6.1	5.35	281	497			5.19	8.0	1.35	314	445		4.65	7.8		1.50	348	402		4.20	7.7		2.00	383	365		3.81	7.5		2.20	432	323	3.38	7.3	2.50	476	294	3.07	7.2	2.80	553	253	2.64	6.9	3.20	635	220	2.30	6.7	3.70	749	187	1.95	6.4	4.00	854	164	1.71	6.1	4.20	1014	138	1.44	5.9	4.60	323	432	4.52	6.3	1.35	GR109 GRF109	4P	361	387	4.04	6.2	1.50	401	348			3.64	6.1	1.65	442	316	3.30	6.0			1.85	500	279	2.92	5.8	2.10	553			253	2.64	5.7	2.30	652	214	2.24			5.4	2.70	745	188	1.96			5.3	3.00	890	157	1.64			5.0	3.20	1028	136	1.42			4.8	3.30	420	333	3.48			4.0	1.20	472	296	3.09			4.3	1.35	529	264	2.76			4.2	1.50	589	237	2.48			4.1	1.65	679	206	2.15	4.0	1.80	756	185	1.93	3.9	1.90	913	153	1.60	3.8	2.00	1050	133	1.39	3.6	2.10																																																																																																																																																																																																																																																																																																																																																																										
429	325	3.40	5.9	4.15	487	287			3.00	5.9	4.90	564	248			2.59	6.5	5.20	638	219			2.29	6.1	5.35	281	497			5.19	8.0	1.35	314	445			4.65	7.8	1.50	348	402		4.20	7.7		2.00	383	365		3.81	7.5		2.20	432	323	3.38	7.3	2.50	476	294	3.07	7.2	2.80	553	253	2.64	6.9	3.20	635	220	2.30	6.7	3.70	749	187	1.95	6.4	4.00	854	164	1.71	6.1	4.20	1014	138	1.44	5.9	4.60	323	432	4.52	6.3	1.35	GR109 GRF109	4P	361	387	4.04	6.2	1.50			401	348	3.64	6.1	1.65	442	316			3.30	6.0	1.85	500	279	2.92	5.8			2.10	553	253	2.64	5.7	2.30	652			214	2.24	5.4	2.70	745	188	1.96			5.3	3.00	890	157	1.64			5.0	3.20	1028	136	1.42			4.8	3.30	420	333	3.48			4.0	1.20	472	296	3.09			4.3	1.35	529	264	2.76			4.2	1.50	589	237	2.48			4.1	1.65	679	206	2.15	4.0	1.80	756	185	1.93	3.9	1.90	913	153	1.60	3.8	2.00	1050	133	1.39	3.6	2.10																																																																																																																																																																																																																																																																																																																																																																																	
487	287	3.00	5.9	4.90	564	248			2.59	6.5	5.20	638	219			2.29	6.1	5.35	281	497			5.19	8.0	1.35	314	445			4.65	7.8	1.50	348	402			4.20	7.7	2.00	383	365		3.81	7.5		2.20	432	323	3.38	7.3	2.50	476	294	3.07	7.2	2.80	553	253	2.64	6.9	3.20	635	220	2.30	6.7	3.70	749	187	1.95	6.4	4.00	854	164	1.71	6.1	4.20	1014	138	1.44	5.9	4.60	323	432	4.52	6.3	1.35	GR109 GRF109	4P	361	387	4.04	6.2	1.50			401	348	3.64	6.1	1.65			442	316	3.30	6.0	1.85	500	279			2.92	5.8	2.10	553	253	2.64	5.7			2.30	652	214	2.24	5.4	2.70	745			188	1.96	5.3	3.00	890	157	1.64			5.0	3.20	1028	136	1.42			4.8	3.30	420	333	3.48			4.0	1.20	472	296	3.09			4.3	1.35	529	264	2.76			4.2	1.50	589	237	2.48			4.1	1.65	679	206	2.15	4.0	1.80	756	185	1.93	3.9	1.90	913	153	1.60	3.8	2.00	1050	133	1.39	3.6	2.10																																																																																																																																																																																																																																																																																																																																																																																								
564	248	2.59	6.5	5.20	638	219			2.29	6.1	5.35	281	497			5.19	8.0	1.35	314	445			4.65	7.8	1.50	348	402			4.20	7.7	2.00	383	365			3.81	7.5	2.20	432	323	3.38	7.3	2.50	476	294	3.07	7.2	2.80	553	253	2.64	6.9	3.20	635	220	2.30	6.7	3.70	749	187	1.95	6.4	4.00	854	164	1.71	6.1	4.20	1014	138	1.44	5.9	4.60	323	432	4.52	6.3	1.35	GR109 GRF109	4P	361	387	4.04	6.2	1.50			401	348	3.64	6.1	1.65			442	316	3.30	6.0	1.85			500	279	2.92	5.8	2.10	553	253			2.64	5.7	2.30	652	214	2.24	5.4			2.70	745	188	1.96	5.3	3.00	890			157	1.64	5.0	3.20	1028	136	1.42			4.8	3.30	420	333	3.48			4.0	1.20	472	296	3.09			4.3	1.35	529	264	2.76			4.2	1.50	589	237	2.48			4.1	1.65	679	206	2.15	4.0	1.80	756	185	1.93	3.9	1.90	913	153	1.60	3.8	2.00	1050	133	1.39	3.6	2.10																																																																																																																																																																																																																																																																																																																																																																																															
638	219	2.29	6.1	5.35	281	497			5.19	8.0	1.35	314	445			4.65	7.8	1.50	348	402			4.20	7.7	2.00	383	365			3.81	7.5	2.20	432	323	3.38	7.3	2.50	476	294	3.07	7.2	2.80	553	253	2.64	6.9	3.20	635	220	2.30	6.7	3.70	749	187	1.95	6.4	4.00	854	164	1.71	6.1	4.20	1014	138	1.44	5.9	4.60	323	432	4.52	6.3	1.35	GR109 GRF109	4P	361	387	4.04	6.2	1.50			401	348	3.64	6.1	1.65			442	316	3.30	6.0	1.85			500	279	2.92	5.8	2.10			553	253	2.64	5.7	2.30	652	214			2.24	5.4	2.70	745	188	1.96	5.3			3.00	890	157	1.64	5.0	3.20	1028			136	1.42	4.8	3.30	420	333	3.48			4.0	1.20	472	296	3.09			4.3	1.35	529	264	2.76			4.2	1.50	589	237	2.48			4.1	1.65	679	206	2.15	4.0	1.80	756	185	1.93	3.9	1.90	913	153	1.60	3.8	2.00	1050	133	1.39	3.6	2.10																																																																																																																																																																																																																																																																																																																																																																																																						
281	497	5.19	8.0	1.35	314	445			4.65	7.8	1.50	348	402			4.20	7.7	2.00	383	365			3.81	7.5	2.20	432	323	3.38	7.3	2.50	476	294	3.07	7.2	2.80	553	253	2.64	6.9	3.20	635	220	2.30	6.7	3.70	749	187	1.95	6.4	4.00	854	164	1.71	6.1	4.20	1014	138	1.44	5.9	4.60	323	432	4.52	6.3	1.35	GR109 GRF109	4P	361	387	4.04	6.2	1.50			401	348	3.64	6.1	1.65			442	316	3.30	6.0	1.85			500	279	2.92	5.8	2.10			553	253	2.64	5.7	2.30			652	214	2.24	5.4	2.70	745	188			1.96	5.3	3.00	890	157	1.64	5.0			3.20	1028	136	1.42	4.8	3.30	420			333	3.48	4.0	1.20	472	296	3.09			4.3	1.35	529	264	2.76			4.2	1.50	589	237	2.48			4.1	1.65	679	206	2.15	4.0	1.80	756	185	1.93	3.9	1.90	913	153	1.60	3.8	2.00	1050	133	1.39	3.6	2.10																																																																																																																																																																																																																																																																																																																																																																																																													
314	445	4.65	7.8	1.50	348	402			4.20	7.7	2.00	383	365			3.81	7.5	2.20	432	323	3.38	7.3	2.50	476	294	3.07	7.2	2.80	553	253	2.64	6.9	3.20	635	220	2.30	6.7	3.70	749	187	1.95	6.4	4.00	854	164	1.71	6.1	4.20	1014	138	1.44	5.9	4.60	323	432	4.52	6.3	1.35	GR109 GRF109	4P	361	387	4.04	6.2	1.50			401	348	3.64	6.1	1.65			442	316	3.30	6.0	1.85			500	279	2.92	5.8	2.10			553	253	2.64	5.7	2.30			652	214	2.24	5.4	2.70			745	188	1.96	5.3	3.00	890	157			1.64	5.0	3.20	1028	136	1.42	4.8			3.30	420	333	3.48	4.0	1.20	472			296	3.09	4.3	1.35	529	264	2.76			4.2	1.50	589	237	2.48			4.1	1.65	679	206	2.15	4.0	1.80	756	185	1.93	3.9	1.90	913	153	1.60	3.8	2.00	1050	133	1.39	3.6	2.10																																																																																																																																																																																																																																																																																																																																																																																																																				
348	402	4.20	7.7	2.00	383	365			3.81	7.5	2.20	432	323	3.38	7.3	2.50	476	294	3.07	7.2	2.80	553	253	2.64	6.9	3.20	635	220	2.30	6.7	3.70	749	187	1.95	6.4	4.00	854	164	1.71	6.1	4.20	1014	138	1.44	5.9	4.60	323	432	4.52	6.3	1.35	GR109 GRF109	4P	361	387	4.04	6.2	1.50			401	348	3.64	6.1	1.65			442	316	3.30	6.0	1.85			500	279	2.92	5.8	2.10			553	253	2.64	5.7	2.30			652	214	2.24	5.4	2.70			745	188	1.96	5.3	3.00			890	157	1.64	5.0	3.20	1028	136			1.42	4.8	3.30	420	333	3.48	4.0			1.20	472	296	3.09	4.3	1.35	529			264	2.76	4.2	1.50	589	237	2.48			4.1	1.65	679	206	2.15	4.0	1.80	756	185	1.93	3.9	1.90	913	153	1.60	3.8	2.00	1050	133	1.39	3.6	2.10																																																																																																																																																																																																																																																																																																																																																																																																																											
383	365	3.81	7.5	2.20	432	323	3.38	7.3	2.50	476	294	3.07	7.2	2.80	553	253	2.64	6.9	3.20	635	220	2.30	6.7	3.70	749	187	1.95	6.4	4.00	854	164	1.71	6.1	4.20	1014	138	1.44	5.9	4.60	323	432	4.52	6.3	1.35	GR109 GRF109	4P	361	387	4.04	6.2	1.50			401	348	3.64	6.1	1.65			442	316	3.30	6.0	1.85			500	279	2.92	5.8	2.10			553	253	2.64	5.7	2.30			652	214	2.24	5.4	2.70			745	188	1.96	5.3	3.00			890	157	1.64	5.0	3.20			1028	136	1.42	4.8	3.30	420	333			3.48	4.0	1.20	472	296	3.09	4.3			1.35	529	264	2.76	4.2	1.50	589			237	2.48	4.1	1.65	679	206	2.15	4.0	1.80	756	185	1.93	3.9	1.90	913	153	1.60	3.8	2.00	1050	133	1.39	3.6	2.10																																																																																																																																																																																																																																																																																																																																																																																																																																		
432	323	3.38	7.3	2.50	476	294	3.07	7.2	2.80	553	253	2.64	6.9	3.20	635	220	2.30	6.7	3.70	749	187	1.95	6.4	4.00	854	164	1.71	6.1	4.20	1014	138	1.44	5.9	4.60	323	432	4.52	6.3	1.35	GR109 GRF109	4P	361	387	4.04			6.2	1.50	401	348	3.64			6.1	1.65	442	316	3.30			6.0	1.85	500	279	2.92			5.8	2.10	553	253	2.64			5.7	2.30	652	214	2.24			5.4	2.70	745	188	1.96			5.3	3.00	890	157	1.64			5.0	3.20	1028	136	1.42			4.8	3.30	420	333	3.48	4.0	1.20			472	296	3.09	4.3	1.35	529	264			2.76	4.2	1.50	589	237	2.48	4.1	1.65	679	206	2.15	4.0	1.80	756	185	1.93	3.9	1.90	913	153	1.60	3.8	2.00	1050	133	1.39	3.6	2.10																																																																																																																																																																																																																																																																																																																																																																																																																																							
476	294	3.07	7.2	2.80	553	253	2.64	6.9	3.20	635	220	2.30	6.7	3.70	749	187	1.95	6.4	4.00	854	164	1.71	6.1	4.20	1014	138	1.44	5.9	4.60	323	432	4.52	6.3	1.35	GR109 GRF109	4P	361	387	4.04			6.2	1.50	401			348	3.64	6.1	1.65	442			316	3.30	6.0	1.85	500			279	2.92	5.8	2.10	553			253	2.64	5.7	2.30	652			214	2.24	5.4	2.70	745			188	1.96	5.3	3.00	890			157	1.64	5.0	3.20	1028			136	1.42	4.8	3.30	420			333	3.48	4.0	1.20	472	296	3.09			4.3	1.35	529	264	2.76	4.2	1.50	589	237	2.48	4.1	1.65	679	206	2.15	4.0	1.80	756	185	1.93	3.9	1.90	913	153	1.60	3.8	2.00	1050	133	1.39	3.6	2.10																																																																																																																																																																																																																																																																																																																																																																																																																																												
553	253	2.64	6.9	3.20	635	220	2.30	6.7	3.70	749	187	1.95	6.4	4.00	854	164	1.71	6.1	4.20	1014	138	1.44	5.9	4.60	323	432	4.52	6.3	1.35	GR109 GRF109	4P	361	387	4.04			6.2	1.50	401			348	3.64	6.1			1.65	442	316	3.30	6.0			1.85	500	279	2.92	5.8			2.10	553	253	2.64	5.7			2.30	652	214	2.24	5.4			2.70	745	188	1.96	5.3			3.00	890	157	1.64	5.0			3.20	1028	136	1.42	4.8			3.30	420	333	3.48	4.0			1.20	472	296	3.09	4.3	1.35	529	264	2.76	4.2	1.50	589	237	2.48	4.1	1.65	679	206	2.15	4.0	1.80	756	185	1.93	3.9	1.90	913	153	1.60	3.8	2.00	1050	133	1.39	3.6	2.10																																																																																																																																																																																																																																																																																																																																																																																																																																																	
635	220	2.30	6.7	3.70	749	187	1.95	6.4	4.00	854	164	1.71	6.1	4.20	1014	138	1.44	5.9	4.60	323	432	4.52	6.3	1.35	GR109 GRF109	4P	361	387	4.04			6.2	1.50	401			348	3.64	6.1			1.65	442	316			3.30	6.0	1.85	500	279			2.92	5.8	2.10	553	253			2.64	5.7	2.30	652	214			2.24	5.4	2.70	745	188			1.96	5.3	3.00	890	157			1.64	5.0	3.20	1028	136			1.42	4.8	3.30	420	333			3.48	4.0	1.20	472	296	3.09	4.3	1.35	529	264	2.76	4.2	1.50	589	237	2.48	4.1	1.65	679	206	2.15	4.0	1.80	756	185	1.93	3.9	1.90	913	153	1.60	3.8	2.00	1050	133	1.39	3.6	2.10																																																																																																																																																																																																																																																																																																																																																																																																																																																						
749	187	1.95	6.4	4.00	854	164	1.71	6.1	4.20	1014	138	1.44	5.9	4.60	323	432	4.52	6.3	1.35	GR109 GRF109	4P	361	387	4.04			6.2	1.50	401			348	3.64	6.1			1.65	442	316			3.30	6.0	1.85			500	279	2.92	5.8	2.10			553	253	2.64	5.7	2.30			652	214	2.24	5.4	2.70			745	188	1.96	5.3	3.00			890	157	1.64	5.0	3.20			1028	136	1.42	4.8	3.30			420	333	3.48	4.0	1.20	472	296	3.09	4.3	1.35	529	264	2.76	4.2	1.50	589	237	2.48	4.1	1.65	679	206	2.15	4.0	1.80	756	185	1.93	3.9	1.90	913	153	1.60	3.8	2.00	1050	133	1.39	3.6	2.10																																																																																																																																																																																																																																																																																																																																																																																																																																																											
854	164	1.71	6.1	4.20	1014	138	1.44	5.9	4.60	323	432	4.52	6.3	1.35	GR109 GRF109	4P	361	387	4.04			6.2	1.50	401			348	3.64	6.1			1.65	442	316			3.30	6.0	1.85			500	279	2.92			5.8	2.10	553	253	2.64			5.7	2.30	652	214	2.24			5.4	2.70	745	188	1.96			5.3	3.00	890	157	1.64			5.0	3.20	1028	136	1.42			4.8	3.30	420	333	3.48	4.0	1.20	472	296	3.09	4.3	1.35	529	264	2.76	4.2	1.50	589	237	2.48	4.1	1.65	679	206	2.15	4.0	1.80	756	185	1.93	3.9	1.90	913	153	1.60	3.8	2.00	1050	133	1.39	3.6	2.10																																																																																																																																																																																																																																																																																																																																																																																																																																																																
1014	138	1.44	5.9	4.60	323	432	4.52	6.3	1.35	GR109 GRF109	4P	361	387	4.04			6.2	1.50	401			348	3.64	6.1			1.65	442	316			3.30	6.0	1.85			500	279	2.92			5.8	2.10	553			253	2.64	5.7	2.30	652			214	2.24	5.4	2.70	745			188	1.96	5.3	3.00	890			157	1.64	5.0	3.20	1028			136	1.42	4.8	3.30	420	333	3.48	4.0	1.20	472	296	3.09	4.3	1.35	529	264	2.76	4.2	1.50	589	237	2.48	4.1	1.65	679	206	2.15	4.0	1.80	756	185	1.93	3.9	1.90	913	153	1.60	3.8	2.00	1050	133	1.39	3.6	2.10																																																																																																																																																																																																																																																																																																																																																																																																																																																																					
323	432	4.52	6.3	1.35	GR109 GRF109	4P	361	387	4.04			6.2	1.50	401			348	3.64	6.1			1.65	442	316			3.30	6.0	1.85			500	279	2.92			5.8	2.10	553			253	2.64	5.7			2.30	652	214	2.24	5.4			2.70	745	188	1.96	5.3			3.00	890	157	1.64	5.0			3.20	1028	136	1.42	4.8	3.30	420	333	3.48	4.0	1.20	472	296	3.09	4.3	1.35	529	264	2.76	4.2	1.50	589	237	2.48	4.1	1.65	679	206	2.15	4.0	1.80	756	185	1.93	3.9	1.90	913	153	1.60	3.8	2.00	1050	133	1.39	3.6	2.10																																																																																																																																																																																																																																																																																																																																																																																																																																																																										
361	387	4.04	6.2	1.50			401	348	3.64			6.1	1.65	442			316	3.30	6.0			1.85	500	279			2.92	5.8	2.10			553	253	2.64			5.7	2.30	652			214	2.24	5.4			2.70	745	188	1.96	5.3			3.00	890	157	1.64	5.0			3.20	1028	136	1.42	4.8	3.30	420	333	3.48	4.0	1.20	472	296	3.09	4.3	1.35	529	264	2.76	4.2	1.50	589	237	2.48	4.1	1.65	679	206	2.15	4.0	1.80	756	185	1.93	3.9	1.90	913	153	1.60	3.8	2.00	1050	133	1.39	3.6	2.10																																																																																																																																																																																																																																																																																																																																																																																																																																																																																	
401	348	3.64	6.1	1.65			442	316	3.30			6.0	1.85	500			279	2.92	5.8			2.10	553	253			2.64	5.7	2.30			652	214	2.24			5.4	2.70	745			188	1.96	5.3			3.00	890	157	1.64	5.0			3.20	1028	136	1.42	4.8	3.30	420	333	3.48	4.0	1.20	472	296	3.09	4.3	1.35	529	264	2.76	4.2	1.50	589	237	2.48	4.1	1.65	679	206	2.15	4.0	1.80	756	185	1.93	3.9	1.90	913	153	1.60	3.8	2.00	1050	133	1.39	3.6	2.10																																																																																																																																																																																																																																																																																																																																																																																																																																																																																								
442	316	3.30	6.0	1.85			500	279	2.92			5.8	2.10	553			253	2.64	5.7			2.30	652	214			2.24	5.4	2.70			745	188	1.96			5.3	3.00	890			157	1.64	5.0			3.20	1028	136	1.42	4.8	3.30	420	333	3.48	4.0	1.20	472	296	3.09	4.3	1.35	529	264	2.76	4.2	1.50	589	237	2.48	4.1	1.65	679	206	2.15	4.0	1.80	756	185	1.93	3.9	1.90	913	153	1.60	3.8	2.00	1050	133	1.39	3.6	2.10																																																																																																																																																																																																																																																																																																																																																																																																																																																																																															
500	279	2.92	5.8	2.10			553	253	2.64			5.7	2.30	652			214	2.24	5.4			2.70	745	188			1.96	5.3	3.00			890	157	1.64			5.0	3.20	1028			136	1.42	4.8	3.30	420	333	3.48	4.0	1.20	472	296	3.09	4.3	1.35	529	264	2.76	4.2	1.50	589	237	2.48	4.1	1.65	679	206	2.15	4.0	1.80	756	185	1.93	3.9	1.90	913	153	1.60	3.8	2.00	1050	133	1.39	3.6	2.10																																																																																																																																																																																																																																																																																																																																																																																																																																																																																																						
553	253	2.64	5.7	2.30			652	214	2.24			5.4	2.70	745			188	1.96	5.3			3.00	890	157			1.64	5.0	3.20			1028	136	1.42			4.8	3.30	420	333	3.48	4.0	1.20	472	296	3.09	4.3	1.35	529	264	2.76	4.2	1.50	589	237	2.48	4.1	1.65	679	206	2.15	4.0	1.80	756	185	1.93	3.9	1.90	913	153	1.60	3.8	2.00	1050	133	1.39	3.6	2.10																																																																																																																																																																																																																																																																																																																																																																																																																																																																																																													
652	214	2.24	5.4	2.70			745	188	1.96			5.3	3.00	890			157	1.64	5.0			3.20	1028	136			1.42	4.8	3.30			420	333	3.48	4.0	1.20	472	296	3.09	4.3	1.35	529	264	2.76	4.2	1.50	589	237	2.48	4.1	1.65	679	206	2.15	4.0	1.80	756	185	1.93	3.9	1.90	913	153	1.60	3.8	2.00	1050	133	1.39	3.6	2.10																																																																																																																																																																																																																																																																																																																																																																																																																																																																																																																				
745	188	1.96	5.3	3.00			890	157	1.64			5.0	3.20	1028			136	1.42	4.8			3.30	420	333			3.48	4.0	1.20	472	296	3.09	4.3	1.35	529	264	2.76	4.2	1.50	589	237	2.48	4.1	1.65	679	206	2.15	4.0	1.80	756	185	1.93	3.9	1.90	913	153	1.60	3.8	2.00	1050	133	1.39	3.6	2.10																																																																																																																																																																																																																																																																																																																																																																																																																																																																																																																											
890	157	1.64	5.0	3.20			1028	136	1.42			4.8	3.30	420			333	3.48	4.0			1.20	472	296	3.09	4.3	1.35	529	264	2.76	4.2	1.50	589	237	2.48	4.1	1.65	679	206	2.15	4.0	1.80	756	185	1.93	3.9	1.90	913	153	1.60	3.8	2.00	1050	133	1.39	3.6	2.10																																																																																																																																																																																																																																																																																																																																																																																																																																																																																																																																		
1028	136	1.42	4.8	3.30			420	333	3.48			4.0	1.20	472			296	3.09	4.3	1.35	529	264	2.76	4.2	1.50	589	237	2.48	4.1	1.65	679	206	2.15	4.0	1.80	756	185	1.93	3.9	1.90	913	153	1.60	3.8	2.00	1050	133	1.39	3.6	2.10																																																																																																																																																																																																																																																																																																																																																																																																																																																																																																																																									
420	333	3.48	4.0	1.20			472	296	3.09			4.3	1.35	529	264	2.76	4.2	1.50	589	237	2.48	4.1	1.65	679	206	2.15	4.0	1.80	756	185	1.93	3.9	1.90	913	153	1.60	3.8	2.00	1050	133	1.39	3.6	2.10																																																																																																																																																																																																																																																																																																																																																																																																																																																																																																																																																
472	296	3.09	4.3	1.35			529	264	2.76	4.2	1.50	589	237	2.48	4.1	1.65	679	206	2.15	4.0	1.80	756	185	1.93	3.9	1.90	913	153	1.60	3.8	2.00	1050	133	1.39	3.6	2.10																																																																																																																																																																																																																																																																																																																																																																																																																																																																																																																																																							
529	264	2.76	4.2	1.50	589	237	2.48	4.1	1.65	679	206	2.15	4.0	1.80	756	185	1.93	3.9	1.90	913	153	1.60	3.8	2.00	1050	133	1.39	3.6	2.10																																																																																																																																																																																																																																																																																																																																																																																																																																																																																																																																																														
589	237	2.48	4.1	1.65	679	206	2.15	4.0	1.80	756	185	1.93	3.9	1.90	913	153	1.60	3.8	2.00	1050	133	1.39	3.6	2.10																																																																																																																																																																																																																																																																																																																																																																																																																																																																																																																																																																			
679	206	2.15	4.0	1.80	756	185	1.93	3.9	1.90	913	153	1.60	3.8	2.00	1050	133	1.39	3.6	2.10																																																																																																																																																																																																																																																																																																																																																																																																																																																																																																																																																																								
756	185	1.93	3.9	1.90	913	153	1.60	3.8	2.00	1050	133	1.39	3.6	2.10																																																																																																																																																																																																																																																																																																																																																																																																																																																																																																																																																																													
913	153	1.60	3.8	2.00	1050	133	1.39	3.6	2.10																																																																																																																																																																																																																																																																																																																																																																																																																																																																																																																																																																																		
1050	133	1.39	3.6	2.10																																																																																																																																																																																																																																																																																																																																																																																																																																																																																																																																																																																							

**选型参数表
(恒功率)**
**Selection Table
(Constant Power)**

n_a [r/min]	M_a [N.m]	i	F_{Ra} [kN]	f_B	机型号 Type size	极数 Pole	n_a [r/min]	M_a [N.m]	i	F_{Ra} [kN]	f_B	机型号 Type size	极数 Pole																																																																																																																																																																																																																																																																																																																																																																																																																																																																																																																																																																																																																																					
18.5kW							18.5kW																																																																																																																																																																																																																																																																																																																																																																																																																																																																																																																																																																																																																																											
4.0	39483	364	128	0.9	GR179R109 GRF179R109	4P	59	2843	24.90	20	1.45	GR109 GRF109	4P																																																																																																																																																																																																																																																																																																																																																																																																																																																																																																																																																																																																																																					
4.4	35903	331	128	1.0			5.0	31781	293	128	1.2			5.5	28853	266	128	1.3	6.4	24839	229	128	1.5	7.4	21694	200	128	1.7	8.7	18331	169	128	2.0	108	1560	13.66	18	2.60	3.6	44255	408	128	0.8	GR179R99 GRF179R99	4P	127	1323	11.59	17	3.10	4.1	38615	356	128	0.9	5.0	31998	295	128	1.1	73	2300	20.14	14	1.05	GR99 GRF99	4P	59	2843	24.90	20	1.45	5.5	30781	177.89	128	1.10	GR179 GRF179	6P	65	2583	22.62	20	1.60	6.3	26813	154.96	128	1.20	7.1	23757	137.30	128	1.40	7.6	22160	194.08	128	1.50	GR179 GRF179	4P	73	2292	20.07	19	1.80	8.3	20311	177.89	128	1.65	9.5	17693	154.96	128	1.85	10.7	15677	137.30	128	2.10	119	1415	12.39	13	1.45	136	1237	10.83	13	1.60	7.9	21343	186.93	114	0.80	GR169 GRF169	4P	158	1061	9.29	13	1.80	9.6	17477	153.07	114	1.00	11	15983	139.98	114	1.05	12	13908	121.81	114	1.25	14	12273	107.49	114	1.40	16	10640	93.19	114	1.60	18	9466	82.91	114	1.80	20	8415	73.70	114	2.00	22	7696	67.40	114	2.20	25	6697	58.65	114	2.50	28	5910	51.76	114	2.80	33	5123	44.87	114	3.20	12	13685	119.86	54	0.90	GR149 GRF149	4P	175	958	8.39	12	2.00	13	12481	109.31	59	1.00	16	10801	94.60	62	1.15	18	9530	83.47	64	1.30	20	8231	72.09	66	1.50	22	7649	66.99	67	1.60	24	6975	61.09	67	1.75	28	6037	52.87	68	2.00	32	5326	46.65	69	2.30	36	4600	40.29	69	2.70	41	4069	35.64	69	3.00	49	3420	29.95	69	3.50	341	492	4.31	10	2.30	374	449	3.93	5.9	2.90	18	9238	80.91	37	0.80	GR139 GRF139	4P	432	388	3.40	5.9	3.40	20	8391	73.49	48	0.90	23	7444	65.20	51	1.00	25	6756	59.17	52	1.10	29	5807	50.86	54	1.30	33	5068	44.39	55	1.50	39	4299	37.65	56	1.75	45	3758	32.91	57	2.00	53	3178	27.83	57	2.30	50	3376	29.57	57	2.20	61	2754	24.12	57	2.80	432	388	3.40	5.9	3.40	GRX139 GRXF139	4P	490	343	3.00	6.5	4.00	67	2512	22.00	58	3.00	77	2174	19.04	58	3.50	88	1918	16.80	58	4.00	568	296	2.59	6.9	4.25	642	261	2.29	5.9	4.35	762	220	1.93	6.0	4.90	350	480	4.20	7.3	1.65	36	4609	40.37	19	0.90	GR109 GRF109	4P	386	435	3.81	7.2	1.80	42	4026	35.26	21	1.00	50	3367	29.49	20	1.20	435	386	3.38	7.0	2.00	479	351	3.07	6.9	2.20	557	301	2.64	6.7	2.60	639	263	2.30	6.4	3.00	754	223	1.95	6.2	3.20	860	195	1.71	6.0	3.40	1021	164	1.44	5.7	3.70	404	416	3.64	5.8	1.35	445	377	3.30	5.7	1.50	GRX109 GRXF109	4P	503	333	2.92	5.5	1.70	503	333	2.92	5.5	1.70	557	301	2.64	5.4	1.85	656	256	2.24	5.2	2.20	750	224	1.96	5.1	2.40	896	187	1.64	4.9	2.60	1035	162	1.42	4.7	2.70	533	315	2.76	2.9	1.20	593	283	2.48	3.2	1.35	GRX99 GRXF99	4P	684	245	2.15	3.4	1.50	684	245	2.15	3.4	1.50	762	220	1.93	3.6	1.55	919	183	1.60	3.6	1.65	1058	159	1.39	3.5	1.75	593	283	2.48	3.2	1.35	684	245	2.15	3.4	1.50	GRX89 GRXF89	4P	762	220	1.93	3.6	1.55	919	183	1.60	3.6	1.65	1058	159	1.39	3.5	1.75	1058	159	1.39	3.5	1.75																																																																					
5.0	31781	293	128	1.2			5.5	28853	266	128	1.3			6.4	24839	229	128	1.5	7.4	21694	200	128	1.7	8.7	18331	169	128	2.0	108	1560	13.66	18	2.60	3.6	44255	408	128	0.8	GR179R99 GRF179R99	4P	127	1323	11.59			17	3.10	4.1	38615	356	128	0.9	5.0	31998	295	128	1.1	73	2300	20.14	14	1.05	GR99 GRF99	4P	59			2843	24.90	20	1.45	5.5	30781	177.89	128	1.10	GR179 GRF179			6P	65	2583	22.62	20	1.60	6.3	26813	154.96	128	1.20	7.1	23757	137.30	128	1.40	7.6	22160	194.08	128			1.50	GR179 GRF179	4P	73	2292	20.07	19	1.80	8.3	20311	177.89	128	1.65	9.5	17693	154.96	128	1.85	10.7	15677	137.30	128	2.10	119	1415	12.39	13	1.45	136	1237	10.83	13	1.60	7.9	21343			186.93	114	0.80	GR169 GRF169	4P	158	1061	9.29	13	1.80	9.6	17477	153.07	114	1.00	11	15983	139.98	114	1.05	12	13908	121.81	114	1.25	14	12273	107.49	114	1.40	16	10640	93.19	114	1.60	18	9466	82.91	114	1.80	20	8415	73.70	114	2.00	22	7696	67.40	114	2.20	25	6697	58.65	114	2.50	28	5910	51.76	114	2.80	33	5123	44.87	114	3.20			12	13685	119.86	54	0.90	GR149 GRF149	4P	175	958	8.39	12	2.00	13	12481	109.31	59	1.00	16	10801	94.60	62	1.15	18	9530	83.47	64	1.30	20	8231	72.09	66	1.50	22	7649	66.99	67	1.60	24	6975	61.09	67	1.75	28	6037	52.87	68	2.00	32	5326	46.65	69	2.30	36	4600	40.29	69	2.70	41	4069	35.64	69	3.00	49	3420	29.95	69	3.50	341	492	4.31	10	2.30	374	449	3.93			5.9	2.90	18	9238	80.91	37	0.80	GR139 GRF139	4P	432	388	3.40	5.9	3.40	20	8391	73.49	48	0.90	23	7444	65.20	51	1.00	25	6756	59.17	52	1.10	29	5807	50.86	54	1.30	33	5068	44.39	55	1.50	39	4299	37.65	56	1.75	45	3758	32.91	57	2.00	53	3178	27.83	57	2.30	50	3376	29.57	57	2.20	61			2754	24.12	57	2.80	432	388	3.40	5.9	3.40	GRX139 GRXF139	4P	490	343	3.00	6.5	4.00	67	2512	22.00	58	3.00	77	2174	19.04	58	3.50	88	1918	16.80	58	4.00	568	296	2.59	6.9	4.25	642	261	2.29	5.9	4.35	762	220	1.93	6.0			4.90	350	480	4.20	7.3	1.65	36	4609	40.37	19	0.90	GR109 GRF109	4P	386	435	3.81	7.2	1.80	42	4026	35.26	21	1.00	50	3367	29.49	20	1.20	435	386	3.38	7.0	2.00	479	351	3.07	6.9	2.20	557	301	2.64	6.7	2.60	639	263	2.30	6.4	3.00	754	223	1.95	6.2	3.20	860	195	1.71	6.0	3.40	1021	164			1.44	5.7	3.70	404	416	3.64	5.8	1.35	445	377	3.30	5.7	1.50	GRX109 GRXF109	4P	503	333	2.92	5.5	1.70	503	333	2.92	5.5	1.70	557	301	2.64	5.4	1.85	656	256	2.24	5.2	2.20	750	224	1.96	5.1	2.40	896	187	1.64	4.9	2.60			1035	162	1.42	4.7	2.70	533	315	2.76	2.9	1.20	593	283	2.48	3.2	1.35	GRX99 GRXF99	4P	684	245	2.15	3.4	1.50	684	245	2.15	3.4	1.50	762	220	1.93	3.6	1.55	919	183	1.60			3.6	1.65	1058	159	1.39	3.5	1.75	593	283	2.48	3.2	1.35	684	245	2.15	3.4	1.50	GRX89 GRXF89	4P	762	220	1.93	3.6	1.55	919	183	1.60	3.6	1.65	1058	159	1.39	3.5	1.75	1058	159	1.39	3.5	1.75																																																		
5.5	28853	266	128	1.3			6.4	24839	229	128	1.5			7.4	21694	200	128	1.7	8.7	18331	169	128	2.0	108	1560	13.66	18	2.60	3.6	44255	408	128	0.8	GR179R99 GRF179R99	4P	127	1323	11.59			17	3.10	4.1			38615	356	128	0.9	5.0	31998	295	128	1.1	73	2300	20.14	14	1.05	GR99 GRF99	4P	59			2843			24.90	20	1.45	5.5	30781	177.89	128	1.10	GR179 GRF179					6P	65	2583	22.62	20	1.60	6.3	26813	154.96	128	1.20	7.1	23757	137.30	128	1.40	7.6	22160	194.08			128			1.50	GR179 GRF179	4P	73	2292	20.07	19	1.80	8.3	20311	177.89	128	1.65	9.5	17693	154.96	128	1.85	10.7	15677	137.30	128	2.10	119	1415	12.39	13	1.45	136	1237	10.83	13			1.60	7.9	21343			186.93	114	0.80	GR169 GRF169	4P	158	1061	9.29	13	1.80	9.6	17477	153.07	114	1.00	11	15983	139.98	114	1.05	12	13908	121.81	114	1.25	14	12273	107.49	114	1.40	16	10640	93.19	114	1.60	18	9466	82.91	114	1.80	20	8415	73.70	114	2.00	22	7696	67.40	114	2.20	25	6697	58.65	114	2.50	28	5910	51.76	114	2.80			33	5123	44.87	114	3.20			12	13685	119.86	54	0.90	GR149 GRF149	4P	175	958	8.39	12	2.00	13	12481	109.31	59	1.00	16	10801	94.60	62	1.15	18	9530	83.47	64	1.30	20	8231	72.09	66	1.50	22	7649	66.99	67	1.60	24	6975	61.09	67	1.75	28	6037	52.87	68	2.00	32	5326	46.65	69	2.30	36	4600	40.29	69	2.70	41	4069	35.64	69	3.00	49	3420	29.95	69	3.50	341			492	4.31	10	2.30	374	449	3.93			5.9	2.90	18	9238	80.91	37	0.80	GR139 GRF139	4P	432	388	3.40	5.9	3.40	20	8391	73.49	48	0.90	23	7444	65.20	51	1.00	25	6756	59.17	52	1.10	29	5807	50.86	54	1.30	33	5068	44.39	55	1.50	39	4299	37.65	56	1.75	45	3758	32.91	57	2.00	53	3178			27.83	57	2.30	50	3376	29.57	57	2.20	61			2754	24.12	57	2.80	432	388	3.40	5.9	3.40	GRX139 GRXF139	4P	490	343	3.00	6.5	4.00	67	2512	22.00	58	3.00	77	2174	19.04	58	3.50	88	1918	16.80	58	4.00	568	296	2.59			6.9	4.25	642	261	2.29	5.9	4.35	762	220	1.93	6.0			4.90	350	480	4.20	7.3	1.65	36	4609	40.37	19	0.90	GR109 GRF109	4P	386	435	3.81	7.2	1.80	42	4026	35.26	21	1.00	50	3367	29.49	20	1.20	435	386	3.38	7.0	2.00	479	351	3.07	6.9	2.20	557	301	2.64	6.7	2.60	639	263	2.30	6.4			3.00	754	223	1.95	6.2	3.20	860	195	1.71	6.0	3.40	1021	164			1.44	5.7	3.70	404	416	3.64	5.8	1.35	445	377	3.30	5.7	1.50	GRX109 GRXF109	4P	503	333	2.92	5.5	1.70	503	333	2.92	5.5	1.70	557	301	2.64	5.4	1.85			656	256	2.24	5.2	2.20	750	224	1.96	5.1	2.40	896	187	1.64	4.9	2.60			1035	162	1.42	4.7	2.70	533	315	2.76	2.9	1.20	593	283	2.48	3.2	1.35	GRX99 GRXF99	4P	684			245	2.15	3.4	1.50	684	245	2.15	3.4	1.50	762	220	1.93	3.6	1.55	919	183	1.60			3.6	1.65	1058	159	1.39	3.5	1.75	593	283	2.48	3.2	1.35	684	245	2.15	3.4	1.50	GRX89 GRXF89	4P	762	220	1.93	3.6	1.55	919	183	1.60	3.6	1.65	1058	159	1.39	3.5	1.75	1058	159	1.39	3.5	1.75																															
6.4	24839	229	128	1.5			7.4	21694	200	128	1.7			8.7	18331	169	128	2.0	108	1560	13.66	18	2.60	3.6	44255	408	128	0.8	GR179R99 GRF179R99	4P	127	1323	11.59			17	3.10	4.1			38615	356	128	0.9	5.0	31998	295	128	1.1	73	2300	20.14	14	1.05	GR99 GRF99	4P	59	2843	24.90			20			1.45			5.5	30781	177.89	128	1.10	GR179 GRF179	6P	65			2583	22.62			20	1.60	6.3	26813	154.96	128	1.20	7.1	23757	137.30	128	1.40	7.6	22160	194.08	128	1.50	GR179 GRF179			4P			73			2292	20.07	19	1.80	8.3	20311	177.89	128	1.65	9.5	17693	154.96	128	1.85	10.7	15677	137.30	128	2.10	119	1415	12.39	13	1.45	136	1237	10.83	13	1.60			7.9	21343	186.93			114	0.80	GR169 GRF169			4P	158	1061	9.29	13	1.80	9.6	17477	153.07	114	1.00	11	15983	139.98	114	1.05	12	13908	121.81	114	1.25	14	12273	107.49	114	1.40	16	10640	93.19	114	1.60	18	9466	82.91	114	1.80	20	8415	73.70	114	2.00	22	7696	67.40	114	2.20	25	6697	58.65	114	2.50	28	5910	51.76	114			2.80	33	5123	44.87	114			3.20	12	13685	119.86	54			0.90	GR149 GRF149	4P	175	958	8.39	12	2.00	13	12481	109.31	59	1.00	16	10801	94.60	62	1.15	18	9530	83.47	64	1.30	20	8231	72.09	66	1.50	22	7649	66.99	67	1.60	24	6975	61.09	67	1.75	28	6037	52.87	68	2.00	32	5326	46.65	69	2.30	36	4600	40.29	69	2.70	41	4069	35.64	69	3.00	49	3420	29.95			69	3.50	341	492	4.31	10	2.30			374	449	3.93	5.9	2.90	18	9238			80.91	37	0.80	GR139 GRF139	4P	432	388	3.40	5.9	3.40	20	8391	73.49	48	0.90	23	7444	65.20	51	1.00	25	6756	59.17	52	1.10	29	5807	50.86	54	1.30	33	5068	44.39	55	1.50	39	4299	37.65	56	1.75	45	3758			32.91	57	2.00	53	3178	27.83	57	2.30	50			3376	29.57	57	2.20	61	2754	24.12	57	2.80			432	388	3.40	5.9	3.40	GRX139 GRXF139	4P	490	343	3.00	6.5	4.00	67	2512	22.00	58	3.00	77	2174	19.04	58	3.50	88			1918	16.80	58	4.00	568	296	2.59	6.9	4.25	642	261			2.29	5.9	4.35	762	220	1.93	6.0	4.90	350	480	4.20			7.3	1.65	36	4609	40.37	19	0.90	GR109 GRF109	4P	386	435	3.81	7.2	1.80	42	4026	35.26	21	1.00	50	3367	29.49	20	1.20	435	386	3.38	7.0	2.00	479	351	3.07	6.9	2.20			557	301	2.64	6.7	2.60	639	263	2.30	6.4	3.00	754	223	1.95			6.2	3.20	860	195	1.71	6.0	3.40	1021	164	1.44	5.7	3.70	404			416	3.64	5.8	1.35	445	377	3.30	5.7	1.50	GRX109 GRXF109	4P	503	333	2.92	5.5			1.70	503	333	2.92	5.5	1.70	557	301	2.64	5.4	1.85	656	256	2.24	5.2			2.20	750	224	1.96	5.1	2.40	896	187	1.64	4.9	2.60	1035	162	1.42	4.7			2.70			533	315	2.76	2.9	1.20	593	283	2.48	3.2	1.35	GRX99 GRXF99	4P	684	245	2.15	3.4	1.50			684	245	2.15	3.4	1.50	762	220	1.93	3.6	1.55	919	183	1.60	3.6	1.65	1058	159			1.39	3.5	1.75	593	283	2.48	3.2	1.35	684	245	2.15	3.4	1.50	GRX89 GRXF89	4P	762	220	1.93	3.6	1.55	919	183	1.60	3.6	1.65	1058	159	1.39	3.5	1.75	1058	159	1.39	3.5	1.75																
7.4	21694	200	128	1.7			8.7	18331	169	128	2.0			108	1560	13.66	18	2.60	3.6	44255	408	128	0.8	GR179R99 GRF179R99	4P	127	1323	11.59			17	3.10	4.1			38615	356	128	0.9	5.0	31998	295	128	1.1	73	2300	20.14	14	1.05	GR99 GRF99	4P	59	2843	24.90			20	1.45	5.5			30781			177.89			128	1.10	GR179 GRF179	6P	65			2583		22.62	20	1.60	6.3		26813	154.96	128	1.20	7.1	23757	137.30	128	1.40	7.6	22160	194.08	128	1.50	GR179 GRF179	4P	73							2292			20.07	19	1.80	8.3	20311	177.89	128	1.65	9.5	17693	154.96	128	1.85	10.7	15677	137.30	128	2.10	119	1415	12.39	13	1.45	136	1237	10.83	13	1.60	7.9			21343	186.93	114			0.80	GR169 GRF169					4P	158	1061	9.29	13	1.80	9.6	17477	153.07	114	1.00	11	15983	139.98	114	1.05	12	13908	121.81	114	1.25	14	12273	107.49	114	1.40	16	10640	93.19	114	1.60	18	9466	82.91	114	1.80	20	8415	73.70	114	2.00	22	7696	67.40	114	2.20	25	6697	58.65	114	2.50	28	5910	51.76			114	2.80	33	5123	44.87			114	3.20	12	13685	119.86			54			0.90	GR149 GRF149	4P	175	958	8.39	12	2.00	13	12481	109.31	59	1.00	16	10801	94.60	62	1.15	18	9530	83.47	64	1.30	20	8231	72.09	66	1.50	22	7649	66.99	67	1.60	24	6975	61.09	67	1.75	28	6037	52.87	68	2.00	32	5326	46.65	69	2.30	36	4600	40.29	69	2.70	41	4069	35.64	69	3.00			49	3420	29.95	69	3.50	341	492			4.31	10	2.30	374	449	3.93	5.9			2.90	18	9238			80.91	37	0.80	GR139 GRF139	4P	432	388	3.40	5.9	3.40	20	8391	73.49	48	0.90	23	7444	65.20	51	1.00	25	6756	59.17	52	1.10	29	5807	50.86	54	1.30	33	5068	44.39	55	1.50	39	4299			37.65	56	1.75	45	3758	32.91	57	2.00	53			3178	27.83	57	2.30	50	3376	29.57	57	2.20			61	2754	24.12	57	2.80			432	388	3.40	5.9	3.40	GRX139 GRXF139	4P	490	343	3.00	6.5	4.00	67	2512	22.00	58			3.00	77	2174	19.04	58	3.50	88	1918	16.80	58	4.00			568	296	2.59	6.9	4.25	642	261	2.29	5.9	4.35	762			220	1.93	6.0	4.90	350	480	4.20			7.3	1.65	36	4609	40.37	19	0.90	GR109 GRF109	4P	386	435	3.81	7.2	1.80	42	4026	35.26	21	1.00	50	3367	29.49	20	1.20	435			386	3.38	7.0	2.00	479	351	3.07	6.9	2.20	557	301	2.64	6.7			2.60	639	263	2.30	6.4	3.00	754	223	1.95	6.2	3.20	860	195			1.71	6.0	3.40	1021	164	1.44	5.7	3.70	404			416	3.64	5.8	1.35			445	377	3.30	5.7	1.50	GRX109 GRXF109	4P	503	333	2.92	5.5	1.70	503	333	2.92			5.5	1.70	557	301	2.64	5.4	1.85	656	256	2.24	5.2	2.20	750	224	1.96			5.1	2.40	896	187	1.64	4.9	2.60	1035	162	1.42	4.7	2.70	533			315	2.76	2.9	1.20	593			283	2.48	3.2	1.35	GRX99 GRXF99	4P	684	245	2.15	3.4	1.50	684	245	2.15	3.4	1.50	762			220	1.93	3.6	1.55	919	183	1.60	3.6	1.65	1058	159	1.39	3.5			1.75	593	283	2.48	3.2	1.35	684	245	2.15	3.4	1.50	GRX89 GRXF89	4P	762	220	1.93	3.6	1.55	919	183	1.60	3.6	1.65	1058	159	1.39	3.5	1.75	1058	159	1.39	3.5	1.75			
8.7	18331	169	128	2.0			108	1560	13.66	18	2.60			3.6	44255	408	128	0.8	GR179R99 GRF179R99	4P	127	1323	11.59			17	3.10	4.1			38615	356	128	0.9	5.0	31998	295	128	1.1	73	2300	20.14	14	1.05	GR99 GRF99	4P	59	2843	24.90			20	1.45	5.5			30781	177.89	128			1.10			GR179 GRF179			6P	65			2583			22.62	20	1.60	6.3	26813	154.96	128	1.20	7.1	23757	137.30	128	1.40	7.6	22160	194.08	128	1.50	GR179 GRF179	4P	73			2292							20.07			19	1.80	8.3	20311	177.89	128	1.65	9.5	17693	154.96	128	1.85	10.7	15677	137.30	128	2.10	119	1415	12.39	13	1.45	136	1237	10.83	13	1.60	7.9	21343			186.93	114	0.80			GR169 GRF169							4P	158	1061	9.29	13	1.80	9.6	17477	153.07	114	1.00	11	15983	139.98	114	1.05	12	13908	121.81	114	1.25	14	12273	107.49	114	1.40	16	10640	93.19	114	1.60	18	9466	82.91	114	1.80	20	8415	73.70	114	2.00	22	7696	67.40	114	2.20	25	6697	58.65	114	2.50	28	5910			51.76	114	2.80	33	5123			44.87	114	3.20	12	13685			119.86			54			0.90	GR149 GRF149	4P	175	958	8.39	12	2.00	13	12481	109.31	59	1.00	16	10801	94.60	62	1.15	18	9530	83.47	64	1.30	20	8231	72.09	66	1.50	22	7649	66.99	67	1.60	24	6975	61.09	67	1.75	28	6037	52.87	68	2.00	32	5326	46.65	69	2.30	36	4600	40.29	69	2.70	41	4069			35.64	69	3.00	49	3420	29.95	69			3.50	341	492	4.31	10	2.30	374			449	3.93	5.9			2.90	18	9238			80.91	37	0.80	GR139 GRF139	4P	432	388	3.40	5.9	3.40	20	8391	73.49	48	0.90	23	7444	65.20	51	1.00	25	6756	59.17	52	1.10	29	5807	50.86	54	1.30	33	5068			44.39	55	1.50	39	4299	37.65	56	1.75	45			3758	32.91	57	2.00	53	3178	27.83	57	2.30			50	3376	29.57	57	2.20			61	2754	24.12	57	2.80			432	388	3.40	5.9	3.40	GRX139 GRXF139	4P	490	343			3.00	6.5	4.00	67	2512	22.00	58	3.00	77	2174	19.04			58	3.50	88	1918	16.80	58	4.00	568	296	2.59	6.9			4.25	642	261	2.29	5.9	4.35	762			220	1.93	6.0	4.90	350	480	4.20			7.3	1.65	36	4609	40.37	19	0.90	GR109 GRF109	4P	386	435	3.81	7.2	1.80	42	4026			35.26	21	1.00	50	3367	29.49	20	1.20	435	386	3.38	7.0	2.00			479	351	3.07	6.9	2.20	557	301	2.64	6.7	2.60	639	263	2.30			6.4	3.00	754	223	1.95	6.2	3.20	860	195			1.71	6.0	3.40	1021			164	1.44	5.7	3.70	404			416	3.64	5.8	1.35	445	377	3.30	5.7			1.50	GRX109 GRXF109	4P	503	333	2.92	5.5	1.70	503	333	2.92	5.5	1.70	557	301			2.64	5.4	1.85	656	256	2.24	5.2	2.20	750	224	1.96	5.1	2.40			896	187	1.64	4.9	2.60	1035	162	1.42	4.7	2.70	533			315	2.76	2.9	1.20	593	283	2.48	3.2	1.35	GRX99 GRXF99	4P			684	245	2.15	3.4	1.50	684	245	2.15	3.4	1.50	762	220	1.93			3.6	1.55	919	183	1.60	3.6	1.65	1058	159	1.39	3.5			1.75	593	283	2.48	3.2	1.35	684	245	2.15	3.4	1.50	GRX89 GRXF89	4P	762	220	1.93	3.6	1.55	919	183	1.60	3.6	1.65
108	1560	13.66	18	2.60																																																																																																																																																																																																																																																																																																																																																																																																																																																																																																																																																																																																																																														
3.6	44255	408	128	0.8	GR179R99 GRF179R99	4P	127	1323	11.59	17	3.10																																																																																																																																																																																																																																																																																																																																																																																																																																																																																																																																																																																																																																							
4.1	38615	356	128	0.9			5.0	31998	295	128	1.1	73	2300	20.14	14	1.05	GR99 GRF99	4P	59	2843	24.90	20	1.45	5.5	30781	177.89	128	1.10	GR179 GRF179	6P	65	2583	22.62	20	1.60	6.3	26813	154.96	128	1.20	7.1	23757	137.30	128			1.40	7.6	22160			194.08	128	1.50			GR179 GRF179	4P	73			2292			20.07	19	1.80	8.3	20311	177.89	128	1.65	9.5	17693	154.96	128	1.85	10.7	15677	137.30	128	2.10	119	1415	12.39	13	1.45	136	1237	10.83	13	1.60			7.9			21343		186.93	114		0.80	GR169 GRF169	4P	158	1061	9.29	13	1.80	9.6	17477	153.07	114	1.00	11	15983	139.98	114	1.05	12	13908	121.81	114	1.25	14	12273	107.49	114	1.40	16	10640	93.19	114	1.60	18			9466	82.91	114											1.80	20	8415	73.70	114	2.00	22	7696	67.40	114	2.20	25	6697	58.65	114	2.50	28	5910	51.76	114	2.80	33	5123	44.87	114	3.20	12	13685	119.86	54	0.90	GR149 GRF149	4P	175	958	8.39	12	2.00	13	12481	109.31	59	1.00	16	10801	94.60	62	1.15	18	9530	83.47	64			1.30	20	8231	72.09	66			1.50	22	7649	66.99	67			1.60			24			6975			61.09	67	1.75	28	6037	52.87	68	2.00	32	5326	46.65	69	2.30	36	4600	40.29	69	2.70	41	4069	35.64	69	3.00	49	3420	29.95	69	3.50	341	492	4.31	10	2.30	374	449	3.93	5.9	2.90	18	9238	80.91	37	0.80	GR139 GRF139	4P	432	388	3.40	5.9	3.40	20	8391			73.49	48	0.90	23	7444	65.20	51			1.00	25	6756	59.17	52	1.10	29			5807	50.86	54			1.30	33	5068			44.39	55	1.50			39	4299	37.65	56	1.75	45	3758	32.91	57	2.00	53	3178	27.83	57	2.30	50	3376	29.57	57	2.20	61	2754	24.12	57	2.80	432	388	3.40	5.9	3.40	GRX139 GRXF139	4P	490	343	3.00	6.5	4.00	67			2512	22.00	58	3.00	77	2174	19.04	58	3.50			88	1918	16.80	58	4.00			568	296	2.59	6.9	4.25			642	261	2.29	5.9	4.35			762	220			1.93	6.0	4.90	350	480	4.20	7.3	1.65	36	4609	40.37			19	0.90	GR109 GRF109	4P	386	435	3.81	7.2	1.80	42	4026			35.26	21	1.00	50	3367	29.49	20			1.20	435	386	3.38	7.0	2.00	479			351	3.07	6.9	2.20	557	301	2.64			6.7	2.60	639	263	2.30	6.4	3.00	754	223	1.95	6.2	3.20	860	195	1.71	6.0	3.40	1021	164	1.44	5.7	3.70			404	416	3.64	5.8	1.35	445	377	3.30	5.7	1.50	GRX109 GRXF109	4P	503			333	2.92	5.5	1.70	503	333	2.92	5.5	1.70			557	301	2.64	5.4	1.85	656	256	2.24	5.2	2.20	750			224	1.96	5.1	2.40	896	187	1.64	4.9	2.60	1035	162			1.42	4.7	2.70	533	315	2.76	2.9	1.20	593	283	2.48	3.2	1.35	GRX99 GRXF99	4P	684	245	2.15	3.4	1.50	684	245	2.15	3.4	1.50	762	220			1.93	3.6	1.55	919	183	1.60	3.6	1.65	1058	159	1.39			3.5	1.75	593	283	2.48	3.2	1.35	684	245			2.15	3.4	1.50	GRX89 GRXF89	4P	762	220	1.93	3.6	1.55	919	183	1.60	3.6	1.65	1058	159	1.39	3.5	1.75	1058	159	1.39	3.5	1.75																												
5.0	31998	295	128	1.1																																																																																																																																																																																																																																																																																																																																																																																																																																																																																																																																																																																																																																														
73	2300	20.14	14	1.05	GR99 GRF99	4P	59	2843	24.90	20	1.45																																																																																																																																																																																																																																																																																																																																																																																																																																																																																																																																																																																																																																							
5.5	30781	177.89	128	1.10			GR179 GRF179	6P	65	2583	22.62	20	1.60																																																																																																																																																																																																																																																																																																																																																																																																																																																																																																																																																																																																																																					
6.3	26813	154.96	128	1.20					7.1	23757	137.30	128	1.40	7.6	22160	194.08			128	1.50	GR179 GRF179	4P	73	2292	20.07	19	1.80	8.3	20311	177.89	128	1.65	9.5	17693	154.96	128	1.85	10.7	15677	137.30	128	2.10	119	1415			12.39	13	1.45	136	1237	10.83	13	1.60	7.9	21343			186.93	114	0.80	GR169 GRF169	4P	158	1061	9.29	13	1.80	9.6	17477	153.07	114	1.00	11	15983	139.98	114	1.05	12	13908	121.81	114	1.25	14	12273	107.49	114	1.40	16	10640	93.19	114	1.60	18	9466	82.91	114	1.80	20	8415	73.70	114	2.00			22	7696	67.40	114	2.20	25	6697	58.65	114	2.50	28	5910	51.76	114	2.80	33	5123	44.87	114	3.20	12	13685	119.86	54	0.90	GR149 GRF149	4P	175	958	8.39	12	2.00	13	12481	109.31	59	1.00	16									10801	94.60	62	1.15	18	9530	83.47	64	1.30	20	8231	72.09	66	1.50	22	7649	66.99	67	1.60	24	6975	61.09	67	1.75	28	6037	52.87	68	2.00	32	5326			46.65	69	2.30	36	4600	40.29	69	2.70	41	4069	35.64	69	3.00	49	3420	29.95	69	3.50	341			492	4.31	10	2.30	374			449	3.93	5.9	2.90	18			9238			80.91			37			0.80	GR139 GRF139	4P	432	388	3.40	5.9	3.40	20	8391	73.49	48	0.90	23	7444	65.20	51	1.00	25	6756	59.17	52	1.10	29	5807	50.86	54	1.30	33	5068	44.39	55	1.50	39	4299	37.65	56	1.75	45	3758	32.91	57	2.00			53	3178	27.83	57	2.30	50	3376	29.57	57	2.20	61	2754	24.12	57	2.80	432	388	3.40	5.9	3.40	GRX139 GRXF139	4P	490	343	3.00			6.5	4.00	67			2512	22.00	58			3.00	77	2174			19.04	58	3.50	88	1918	16.80	58	4.00	568	296	2.59	6.9	4.25	642	261	2.29	5.9	4.35	762	220	1.93	6.0	4.90	350	480	4.20	7.3	1.65	36	4609			40.37	19	0.90	GR109 GRF109	4P	386	435	3.81	7.2	1.80	42	4026	35.26	21	1.00	50	3367	29.49	20	1.20	435	386	3.38	7.0	2.00	479	351	3.07	6.9	2.20	557	301	2.64	6.7	2.60	639	263	2.30			6.4	3.00	754	223	1.95	6.2	3.20	860	195	1.71	6.0	3.40	1021	164	1.44	5.7	3.70	404	416			3.64	5.8	1.35	445	377	3.30	5.7			1.50	GRX109 GRXF109	4P	503	333	2.92	5.5			1.70	503	333	2.92	5.5	1.70	557			301	2.64	5.4	1.85	656	256	2.24			5.2	2.20	750	224	1.96	5.1	2.40	896	187	1.64	4.9	2.60	1035	162	1.42	4.7	2.70	533	315	2.76	2.9	1.20	593	283	2.48	3.2	1.35	GRX99 GRXF99	4P	684	245	2.15	3.4	1.50			684	245	2.15	3.4	1.50	762	220	1.93	3.6	1.55	919	183	1.60	3.6	1.65	1058	159	1.39	3.5	1.75	593	283	2.48	3.2	1.35	684	245	2.15	3.4	1.50	GRX89 GRXF89	4P	762	220	1.93	3.6	1.55	919			183	1.60	3.6	1.65	1058	159	1.39	3.5	1.75	1058	159	1.39	3.5			1.75																																																																																										
7.1	23757	137.30	128	1.40																																																																																																																																																																																																																																																																																																																																																																																																																																																																																																																																																																																																																																														
7.6	22160	194.08	128	1.50			GR179 GRF179	4P	73	2292	20.07	19	1.80																																																																																																																																																																																																																																																																																																																																																																																																																																																																																																																																																																																																																																					
8.3	20311	177.89	128	1.65					9.5	17693	154.96	128	1.85	10.7	15677	137.30			128	2.10			119	1415	12.39	13	1.45	136	1237	10.83	13	1.60	7.9	21343	186.93	114	0.80	GR169 GRF169	4P	158	1061	9.29	13	1.80	9.6	17477	153.07	114	1.00	11	15983	139.98	114	1.05	12	13908	121.81	114	1.25	14	12273			107.49	114	1.40	16	10640	93.19	114	1.60	18	9466	82.91	114	1.80	20	8415	73.70	114	2.00	22	7696	67.40	114	2.20	25	6697	58.65	114	2.50	28	5910	51.76	114	2.80	33	5123	44.87	114	3.20	12	13685			119.86	54	0.90	GR149 GRF149	4P	175	958	8.39	12	2.00	13	12481	109.31	59	1.00	16	10801	94.60	62	1.15	18	9530	83.47	64	1.30			20	8231	72.09	66	1.50	22	7649	66.99	67	1.60	24		6975	61.09	67	1.75	28	6037		52.87	68	2.00	32	5326	46.65	69	2.30	36	4600	40.29	69	2.70	41	4069	35.64	69	3.00	49	3420	29.95	69	3.50	341	492	4.31	10	2.30	374	449	3.93			5.9	2.90	18	9238	80.91	37	0.80	GR139 GRF139	4P	432	388	3.40	5.9	3.40	20	8391	73.49	48	0.90	23	7444	65.20	51	1.00	25	6756	59.17	52	1.10	29	5807	50.86	54			1.30			33			5068			44.39			55	1.50	39	4299	37.65	56	1.75	45	3758	32.91	57	2.00	53	3178	27.83	57	2.30	50	3376	29.57	57	2.20	61	2754	24.12	57	2.80	432	388	3.40	5.9	3.40	GRX139 GRXF139	4P	490	343	3.00	6.5	4.00	67			2512	22.00	58	3.00	77	2174	19.04	58	3.50	88	1918	16.80	58	4.00	568	296	2.59	6.9	4.25	642			261	2.29	5.9	4.35	762	220	1.93	6.0	4.90	350	480	4.20	7.3	1.65	36	4609	40.37	19			0.90	GR109 GRF109	4P	386	435	3.81	7.2	1.80	42	4026	35.26	21	1.00	50	3367	29.49	20	1.20	435	386	3.38	7.0	2.00	479	351	3.07	6.9	2.20	557	301			2.64	6.7	2.60			639	263	2.30	6.4	3.00	754	223	1.95	6.2	3.20	860	195	1.71	6.0	3.40	1021	164	1.44	5.7	3.70	404	416	3.64	5.8	1.35	445	377	3.30	5.7	1.50	GRX109 GRXF109	4P	503	333	2.92	5.5	1.70	503	333	2.92	5.5	1.70	557	301	2.64	5.4	1.85	656	256	2.24	5.2	2.20	750	224			1.96	5.1	2.40	896	187	1.64	4.9	2.60	1035	162			1.42	4.7	2.70	533	315	2.76	2.9	1.20	593	283	2.48	3.2	1.35	GRX99 GRXF99	4P	684	245	2.15	3.4	1.50	684	245			2.15	3.4	1.50	762	220	1.93	3.6	1.55	919	183	1.60	3.6	1.65	1058	159	1.39	3.5	1.75	593	283	2.48	3.2	1.35	684	245	2.15	3.4			1.50	GRX89 GRXF89	4P	762	220			1.93	3.6	1.55	919	183	1.60	3.6	1.65	1058	159	1.39	3.5	1.75	1058	159	1.39	3.5	1.75																																																																																																																																
9.5	17693	154.96	128	1.85					10.7	15677	137.30	128	2.10	119	1415	12.39	13	1.45	136	1237			10.83	13	1.60	7.9	21343	186.93	114	0.80	GR169 GRF169	4P	158	1061	9.29	13	1.80			9.6	17477	153.07	114	1.00	11	15983	139.98	114	1.05	12	13908	121.81	114	1.25	14	12273	107.49	114	1.40	16	10640			93.19	114	1.60	18	9466	82.91	114	1.80	20	8415	73.70	114	2.00	22	7696	67.40	114	2.20	25	6697	58.65	114	2.50	28	5910	51.76	114	2.80	33	5123	44.87	114	3.20	12	13685	119.86	54	0.90	GR149 GRF149	4P			175	958	8.39			12	2.00	13	12481	109.31	59	1.00	16	10801	94.60	62	1.15	18	9530	83.47	64	1.30	20	8231	72.09			66	1.50	22	7649	66.99	67	1.60	24	6975	61.09	67	1.75	28	6037	52.87	68	2.00	32	5326	46.65	69	2.30	36	4600	40.29	69	2.70	41	4069	35.64	69	3.00	49	3420	29.95	69	3.50	341	492	4.31	10	2.30	374	449	3.93	5.9	2.90	18	9238	80.91			37	0.80	GR139 GRF139	4P	432	388	3.40			5.9	3.40	20	8391	73.49	48	0.90	23	7444	65.20	51	1.00	25	6756	59.17	52	1.10	29	5807	50.86	54	1.30	33	5068	44.39	55	1.50			39			4299			37.65			56	1.75	45	3758	32.91	57	2.00	53	3178	27.83	57	2.30	50	3376	29.57	57	2.20	61	2754	24.12	57	2.80	432	388	3.40	5.9	3.40	GRX139 GRXF139	4P	490	343	3.00			6.5	4.00	67	2512	22.00	58			3.00	77	2174	19.04	58	3.50	88	1918	16.80	58	4.00	568	296	2.59	6.9	4.25	642	261	2.29	5.9			4.35	762	220	1.93	6.0	4.90	350	480	4.20	7.3	1.65	36	4609	40.37	19	0.90	GR109 GRF109	4P	386	435	3.81			7.2	1.80	42	4026	35.26	21	1.00	50	3367	29.49	20	1.20	435	386	3.38	7.0	2.00	479	351	3.07	6.9	2.20	557	301	2.64	6.7	2.60	639	263	2.30	6.4	3.00			754	223	1.95	6.2	3.20	860	195	1.71	6.0	3.40	1021	164	1.44	5.7	3.70	404	416	3.64	5.8	1.35	445	377	3.30	5.7	1.50	GRX109 GRXF109	4P	503	333	2.92			5.5	1.70	503	333	2.92	5.5	1.70	557	301	2.64	5.4	1.85	656	256	2.24	5.2	2.20	750	224	1.96	5.1	2.40			896	187	1.64	4.9	2.60	1035	162	1.42	4.7	2.70			533	315	2.76	2.9	1.20	593	283	2.48	3.2	1.35	GRX99 GRXF99	4P	684			245	2.15	3.4	1.50	684	245	2.15	3.4	1.50	762	220	1.93	3.6	1.55	919	183	1.60	3.6	1.65	1058	159	1.39	3.5	1.75	593	283	2.48	3.2	1.35	684	245	2.15	3.4	1.50	GRX89 GRXF89	4P			762			220	1.93	3.6	1.55	919	183	1.60	3.6	1.65	1058	159	1.39	3.5	1.75	1058	159	1.39	3.5	1.75																																																																																																																																			
10.7	15677	137.30	128	2.10					119	1415	12.39	13	1.45	136	1237	10.83	13	1.60	7.9	21343			186.93	114	0.80	GR169 GRF169	4P	158	1061	9.29			13	1.80	9.6	17477	153.07			114	1.00	11	15983	139.98	114	1.05	12	13908	121.81	114	1.25	14	12273	107.49	114	1.40	16	10640	93.19	114	1.60			18	9466	82.91	114	1.80	20	8415	73.70	114	2.00	22	7696	67.40	114	2.20	25	6697	58.65	114	2.50	28	5910	51.76	114	2.80	33	5123	44.87	114	3.20	12	13685	119.86	54	0.90	GR149 GRF149	4P	175					958	8.39	12			2.00	13	12481	109.31	59	1.00	16	10801	94.60	62	1.15	18	9530	83.47	64	1.30	20	8231	72.09	66			1.50	22	7649	66.99	67	1.60	24	6975	61.09	67	1.75	28	6037	52.87	68	2.00	32	5326	46.65	69	2.30	36	4600	40.29	69	2.70	41	4069	35.64	69	3.00	49	3420	29.95	69	3.50	341	492	4.31	10	2.30	374	449	3.93	5.9	2.90	18	9238	80.91	37			0.80	GR139 GRF139			4P	432	388			3.40	5.9	3.40	20	8391	73.49	48	0.90	23	7444	65.20	51	1.00	25	6756	59.17	52	1.10	29	5807	50.86	54	1.30	33	5068	44.39	55	1.50	39	4299			37.65			56			1.75	45	3758	32.91	57	2.00	53	3178	27.83	57	2.30	50	3376	29.57	57	2.20	61	2754	24.12	57	2.80	432	388	3.40	5.9	3.40	GRX139 GRXF139			4P	490	343			3.00	6.5	4.00	67	2512	22.00			58	3.00	77	2174	19.04	58	3.50	88	1918	16.80	58	4.00	568	296	2.59	6.9	4.25	642	261	2.29			5.9	4.35	762	220	1.93	6.0	4.90	350	480	4.20	7.3	1.65	36	4609	40.37	19			0.90	GR109 GRF109	4P			386	435	3.81	7.2	1.80	42	4026	35.26	21	1.00	50	3367	29.49	20	1.20	435	386	3.38	7.0	2.00	479	351	3.07	6.9	2.20	557	301	2.64	6.7	2.60	639	263			2.30	6.4	3.00	754	223	1.95	6.2	3.20	860	195	1.71	6.0	3.40	1021	164	1.44	5.7	3.70	404	416	3.64	5.8	1.35	445	377			3.30	5.7	1.50			GRX109 GRXF109	4P	503	333	2.92	5.5	1.70	503	333	2.92	5.5	1.70	557	301	2.64	5.4	1.85	656	256	2.24	5.2	2.20			750	224	1.96	5.1	2.40	896	187	1.64	4.9	2.60			1035	162	1.42	4.7	2.70	533	315	2.76	2.9	1.20			593			283	2.48	3.2	1.35	GRX99 GRXF99	4P	684	245	2.15	3.4	1.50	684	245	2.15	3.4	1.50	762	220	1.93	3.6	1.55	919	183	1.60	3.6	1.65	1058	159	1.39	3.5	1.75	593	283	2.48					3.2			1.35	684	245	2.15	3.4	1.50	GRX89 GRXF89	4P	762	220	1.93	3.6	1.55	919	183	1.60	3.6	1.65	1058	159	1.39	3.5	1.75	1058	159	1.39	3.5	1.75																																																																																																																										
119	1415	12.39	13	1.45	136	1237			10.83	13	1.60	7.9	21343	186.93	114	0.80	GR169 GRF169	4P	158	1061	9.29	13	1.80	9.6	17477			153.07	114	1.00			11	15983	139.98	114	1.05			12	13908	121.81	114	1.25	14	12273	107.49	114	1.40	16	10640	93.19	114	1.60	18	9466	82.91	114	1.80	20	8415			73.70	114	2.00	22	7696	67.40	114	2.20	25	6697	58.65	114	2.50	28	5910	51.76	114	2.80	33	5123	44.87	114	3.20	12	13685	119.86	54	0.90	GR149 GRF149	4P	175	958	8.39	12	2.00			13					12481	109.31	59			1.00	16	10801	94.60	62	1.15	18	9530	83.47	64	1.30	20	8231	72.09	66	1.50	22	7649	66.99	67			1.60	24	6975	61.09	67	1.75	28	6037	52.87	68	2.00	32	5326	46.65	69	2.30	36	4600	40.29	69	2.70	41	4069	35.64	69	3.00	49	3420	29.95	69	3.50	341	492	4.31	10	2.30	374	449	3.93	5.9	2.90	18	9238	80.91	37	0.80	GR139 GRF139	4P	432	388			3.40					5.9	3.40			20	8391	73.49	48	0.90	23	7444	65.20	51	1.00	25	6756	59.17	52	1.10	29	5807	50.86	54	1.30	33	5068	44.39	55	1.50	39	4299	37.65	56	1.75	45	3758	32.91			57			2.00	53	3178	27.83	57	2.30	50	3376	29.57	57	2.20	61	2754	24.12	57	2.80	432	388	3.40	5.9	3.40	GRX139 GRXF139	4P	490	343	3.00					6.5	4.00			67	2512	22.00	58	3.00	77			2174	19.04	58	3.50	88	1918	16.80	58	4.00	568	296	2.59	6.9	4.25	642	261	2.29	5.9	4.35	762			220	1.93	6.0	4.90	350	480	4.20	7.3	1.65	36	4609	40.37	19	0.90	GR109 GRF109	4P			386					435	3.81	7.2	1.80	42	4026	35.26	21	1.00	50	3367	29.49	20	1.20	435	386	3.38	7.0	2.00	479	351	3.07	6.9	2.20	557	301	2.64	6.7	2.60	639	263	2.30			6.4	3.00	754	223	1.95	6.2	3.20	860	195	1.71	6.0	3.40	1021	164	1.44	5.7	3.70	404	416	3.64	5.8	1.35	445	377	3.30			5.7	1.50	GRX109 GRXF109					4P	503	333	2.92	5.5	1.70	503	333	2.92	5.5	1.70	557	301	2.64	5.4	1.85	656	256	2.24	5.2			2.20	750	224	1.96	5.1	2.40	896	187	1.64	4.9			2.60	1035	162	1.42	4.7	2.70	533	315	2.76	2.9			1.20			593	283	2.48	3.2			1.35	GRX99 GRXF99	4P	684	245	2.15	3.4	1.50	684	245	2.15	3.4	1.50	762	220	1.93	3.6	1.55	919	183	1.60	3.6	1.65	1058	159	1.39	3.5	1.75			593	283	2.48			3.2	1.35	684	245	2.15	3.4			1.50	GRX89 GRXF89	4P	762	220	1.93	3.6	1.55	919	183	1.60	3.6	1.65	1058	159	1.39	3.5	1.75	1058	159	1.39	3.5	1.75																																																																																																																							
136	1237	10.83	13	1.60																																																																																																																																																																																																																																																																																																																																																																																																																																																																																																																																																																																																																																														
7.9	21343	186.93	114	0.80	GR169 GRF169	4P	158	1061	9.29	13	1.80																																																																																																																																																																																																																																																																																																																																																																																																																																																																																																																																																																																																																																							
9.6	17477	153.07	114	1.00			11	15983	139.98	114	1.05	12	13908	121.81	114	1.25			14	12273	107.49	114	1.40	16	10640			93.19	114	1.60			18	9466	82.91	114	1.80			20	8415	73.70	114	2.00	22	7696	67.40	114	2.20	25	6697	58.65	114	2.50	28	5910	51.76	114	2.80	33	5123			44.87	114	3.20	12	13685	119.86	54	0.90	GR149 GRF149	4P	175	958	8.39	12	2.00	13	12481	109.31	59	1.00	16	10801	94.60	62	1.15	18	9530	83.47			64	1.30	20	8231	72.09			66			1.50	22	7649	66.99	67			1.60	24	6975	61.09	67	1.75	28	6037	52.87	68	2.00	32	5326	46.65	69	2.30	36	4600	40.29	69			2.70	41	4069	35.64	69	3.00	49	3420	29.95	69	3.50	341	492	4.31	10	2.30	374	449	3.93	5.9	2.90	18	9238	80.91	37	0.80	GR139 GRF139	4P	432	388	3.40	5.9	3.40	20	8391	73.49	48	0.90	23	7444	65.20	51	1.00	25	6756	59.17			52	1.10			29					5807	50.86			54	1.30	33	5068	44.39	55	1.50	39	4299	37.65	56	1.75	45	3758	32.91	57	2.00	53	3178	27.83	57	2.30	50	3376	29.57	57	2.20	61	2754	24.12	57	2.80	432	388	3.40	5.9			3.40	GRX139 GRXF139	4P	490	343	3.00	6.5	4.00	67	2512	22.00	58	3.00	77	2174	19.04	58	3.50	88	1918	16.80			58	4.00	568					296	2.59			6.9	4.25	642	261	2.29	5.9	4.35	762	220	1.93	6.0	4.90	350	480	4.20	7.3	1.65	36	4609	40.37	19	0.90	GR109 GRF109	4P	386	435	3.81	7.2	1.80	42	4026	35.26	21	1.00	50	3367	29.49	20	1.20	435	386	3.38	7.0	2.00					479					351	3.07	6.9	2.20	557	301	2.64	6.7	2.60	639	263	2.30	6.4	3.00	754	223	1.95	6.2	3.20	860	195	1.71	6.0	3.40	1021	164	1.44	5.7	3.70	404	416	3.64			5.8	1.35	445	377	3.30	5.7	1.50	GRX109 GRXF109	4P	503	333	2.92	5.5	1.70	503	333	2.92	5.5	1.70	557	301	2.64	5.4	1.85	656			256	2.24							5.2	2.20	750	224	1.96	5.1	2.40	896	187	1.64	4.9	2.60	1035	162	1.42	4.7	2.70	533	315	2.76	2.9	1.20	593	283	2.48	3.2	1.35	GRX99 GRXF99	4P	684	245	2.15	3.4	1.50	684	245	2.15	3.4	1.50	762	220	1.93	3.6			1.55	919	183	1.60	3.6	1.65	1058			159			1.39	3.5	1.75	593	283	2.48	3.2	1.35	684	245	2.15	3.4	1.50	GRX89 GRXF89	4P	762	220	1.93	3.6	1.55	919	183	1.60	3.6	1.65	1058	159	1.39	3.5	1.75	1058	159	1.39	3.5	1.75																																																																																																																																																			
11	15983	139.98	114	1.05			12	13908	121.81	114	1.25	14	12273	107.49	114	1.40			16	10640	93.19	114	1.60	18	9466			82.91	114	1.80			20	8415	73.70	114	2.00			22	7696	67.40	114	2.20	25	6697	58.65	114	2.50	28	5910	51.76	114	2.80	33	5123	44.87	114	3.20	12	13685			119.86	54	0.90	GR149 GRF149	4P	175	958	8.39			12	2.00	13	12481	109.31	59	1.00	16	10801	94.60	62	1.15	18	9530	83.47	64	1.30	20			8231	72.09	66	1.50	22			7649			66.99	67	1.60	24	6975			61.09	67	1.75	28	6037	52.87	68	2.00	32	5326	46.65	69	2.30	36	4600	40.29	69	2.70	41	4069			35.64	69	3.00	49	3420	29.95	69	3.50	341	492	4.31	10	2.30	374	449	3.93	5.9	2.90	18	9238	80.91	37	0.80	GR139 GRF139	4P	432			388	3.40	5.9	3.40	20	8391	73.49	48	0.90	23	7444	65.20	51	1.00	25	6756	59.17	52			1.10	29	5807	50.86	54					1.30	33			5068	44.39	55	1.50	39	4299	37.65	56	1.75	45	3758	32.91	57	2.00	53	3178	27.83	57	2.30	50	3376	29.57	57	2.20	61	2754	24.12	57	2.80	432	388	3.40	5.9	3.40	GRX139 GRXF139	4P			490			343	3.00	6.5	4.00	67	2512	22.00	58	3.00	77	2174	19.04	58	3.50	88	1918	16.80	58			4.00	568	296					2.59	6.9			4.25	642	261	2.29	5.9	4.35	762	220	1.93	6.0	4.90	350	480	4.20	7.3	1.65	36	4609	40.37	19	0.90	GR109 GRF109			4P	386	435	3.81	7.2	1.80	42	4026	35.26	21	1.00	50	3367	29.49	20	1.20	435	386	3.38	7.0					2.00					479	351	3.07	6.9	2.20	557	301	2.64	6.7	2.60	639	263	2.30	6.4	3.00	754	223	1.95	6.2	3.20	860	195	1.71	6.0	3.40	1021	164	1.44	5.7	3.70	404	416			3.64	5.8	1.35	445	377	3.30	5.7			1.50	GRX109 GRXF109	4P	503	333	2.92	5.5	1.70	503	333	2.92	5.5	1.70	557	301	2.64			5.4	1.85							656	256	2.24	5.2	2.20	750	224	1.96	5.1	2.40	896	187	1.64	4.9	2.60	1035	162	1.42	4.7	2.70	533	315	2.76	2.9	1.20	593	283			2.48	3.2	1.35	GRX99 GRXF99	4P	684	245	2.15	3.4	1.50	684	245	2.15	3.4	1.50	762	220	1.93	3.6	1.55	919	183	1.60			3.6			1.65	1058	159	1.39	3.5	1.75	593	283	2.48	3.2	1.35	684	245			2.15	3.4	1.50	GRX89 GRXF89	4P	762	220	1.93	3.6	1.55	919	183	1.60	3.6	1.65	1058	159	1.39	3.5	1.75	1058	159	1.39	3.5	1.75																																																																																																																																														
12	13908	121.81	114	1.25			14	12273	107.49	114	1.40	16	10640	93.19	114	1.60			18	9466	82.91	114	1.80	20	8415			73.70	114	2.00			22	7696	67.40	114	2.20			25	6697	58.65	114	2.50	28	5910	51.76	114	2.80	33	5123	44.87	114	3.20	12	13685	119.86	54	0.90	GR149 GRF149	4P	175	958	8.39	12	2.00			13	12481	109.31			59	1.00	16	10801	94.60	62	1.15	18	9530	83.47	64	1.30	20	8231	72.09	66	1.50	22			7649	66.99	67	1.60	24			6975			61.09	67	1.75	28	6037			52.87	68	2.00	32	5326	46.65	69	2.30	36	4600	40.29	69	2.70	41	4069	35.64	69	3.00	49	3420			29.95	69	3.50	341	492	4.31	10	2.30	374	449	3.93	5.9	2.90	18	9238	80.91	37	0.80	GR139 GRF139	4P	432	388	3.40			5.9			3.40	20	8391	73.49	48	0.90	23	7444	65.20	51	1.00	25	6756	59.17	52	1.10	29	5807			50.86	54	1.30	33	5068					44.39	55			1.50	39	4299	37.65	56	1.75	45	3758	32.91	57	2.00	53	3178	27.83	57	2.30	50	3376	29.57	57	2.20	61	2754	24.12	57	2.80	432	388	3.40	5.9	3.40	GRX139 GRXF139	4P	490			343	3.00	6.5			4.00	67	2512	22.00	58	3.00	77	2174	19.04	58	3.50	88	1918	16.80	58	4.00	568	296			2.59	6.9	4.25					642	261	2.29	5.9	4.35	762	220	1.93	6.0	4.90	350	480	4.20	7.3	1.65	36	4609	40.37	19	0.90	GR109 GRF109	4P	386	435	3.81					7.2	1.80	42	4026	35.26	21	1.00	50	3367	29.49	20	1.20	435	386	3.38	7.0	2.00	479	351					3.07					6.9	2.20	557	301	2.64	6.7	2.60	639	263	2.30	6.4	3.00	754	223	1.95	6.2	3.20	860	195	1.71	6.0	3.40	1021	164	1.44	5.7	3.70	404	416	3.64	5.8	1.35	445	377	3.30	5.7	1.50	GRX109 GRXF109	4P	503	333			2.92			5.5	1.70	503	333	2.92	5.5	1.70	557	301	2.64	5.4	1.85	656			256	2.24		5.2	2.20				750	224	1.96	5.1	2.40	896	187	1.64	4.9	2.60	1035	162	1.42	4.7	2.70	533	315	2.76	2.9	1.20	593	283	2.48	3.2	1.35	GRX99 GRXF99	4P			684	245	2.15			3.4	1.50	684	245	2.15	3.4	1.50	762	220	1.93	3.6	1.55	919	183	1.60	3.6	1.65	1058	159	1.39	3.5			1.75	593	283	2.48	3.2	1.35	684	245	2.15	3.4	1.50	GRX89 GRXF89	4P			762	220	1.93			3.6	1.55	919	183	1.60	3.6	1.65	1058	159	1.39	3.5	1.75	1058	159	1.39	3.5	1.75																																																																																																																																																	
14	12273	107.49	114	1.40			16	10640	93.19	114	1.60	18	9466	82.91	114	1.80			20	8415	73.70	114	2.00	22	7696			67.40	114	2.20			25	6697	58.65	114	2.50			28	5910	51.76	114	2.80	33	5123	44.87	114	3.20	12	13685	119.86	54	0.90	GR149 GRF149	4P	175	958	8.39			12	2.00	13	12481	109.31			59	1.00	16			10801	94.60	62	1.15	18	9530	83.47	64	1.30	20	8231	72.09	66	1.50	22	7649	66.99	67			1.60	24	6975	61.09	67			1.75			28	6037	52.87	68	2.00			32	5326	46.65	69	2.30	36	4600	40.29	69	2.70	41	4069	35.64	69	3.00	49	3420	29.95	69	3.50			341	492	4.31	10	2.30	374	449	3.93	5.9	2.90	18	9238	80.91	37	0.80	GR139 GRF139	4P	432			388	3.40	5.9			3.40			20	8391	73.49	48	0.90	23	7444	65.20	51	1.00	25	6756	59.17	52	1.10	29	5807	50.86			54	1.30	33	5068	44.39					55	1.50			39	4299	37.65	56	1.75	45	3758	32.91	57	2.00	53	3178	27.83	57	2.30	50	3376	29.57	57	2.20	61	2754	24.12	57	2.80	432	388	3.40	5.9	3.40	GRX139 GRXF139			4P			490	343	3.00			6.5	4.00	67	2512	22.00	58	3.00	77	2174	19.04	58	3.50	88	1918	16.80	58	4.00	568			296	2.59	6.9		4.25	642		261	2.29	5.9	4.35	762	220	1.93	6.0	4.90	350	480	4.20	7.3	1.65	36	4609	40.37	19	0.90	GR109 GRF109			4P	386	435					3.81	7.2	1.80	42	4026	35.26	21	1.00	50	3367	29.49	20	1.20	435	386	3.38	7.0	2.00	479					351					3.07	6.9	2.20	557	301	2.64	6.7	2.60	639	263	2.30	6.4	3.00	754	223	1.95	6.2	3.20	860	195	1.71	6.0	3.40	1021	164	1.44	5.7	3.70	404	416	3.64	5.8	1.35	445	377	3.30	5.7			1.50	GRX109 GRXF109			4P			503	333	2.92	5.5	1.70	503	333	2.92	5.5	1.70	557	301	2.64	5.4	1.85	656	256		2.24	5.2				2.20	750	224	1.96	5.1	2.40	896	187	1.64	4.9	2.60	1035	162	1.42	4.7	2.70	533	315	2.76	2.9	1.20	593	283	2.48	3.2					1.35	GRX99 GRXF99	4P			684	245	2.15	3.4	1.50	684	245	2.15	3.4	1.50	762	220	1.93	3.6	1.55	919	183	1.60	3.6	1.65	1058	159	1.39	3.5	1.75	593	283	2.48	3.2	1.35	684	245	2.15	3.4					1.50	GRX89 GRXF89	4P			762	220	1.93	3.6	1.55	919	183	1.60	3.6	1.65	1058	159	1.39	3.5	1.75	1058	159	1.39	3.5	1.75																																																																																																																																														
16	10640	93.19	114	1.60			18	9466	82.91	114	1.80	20	8415	73.70	114	2.00			22	7696	67.40	114	2.20	25	6697			58.65	114	2.50			28	5910	51.76	114	2.80			33	5123	44.87	114	3.20	12	13685	119.86	54	0.90	GR149 GRF149	4P	175	958	8.39			12	2.00	13			12481	109.31	59	1.00	16			10801	94.60	62			1.15	18	9530	83.47	64	1.30	20	8231	72.09	66	1.50	22	7649	66.99	67	1.60	24	6975			61.09	67	1.75	28	6037			52.87			68	2.00	32	5326	46.65			69	2.30	36	4600	40.29	69	2.70	41	4069	35.64	69	3.00	49	3420	29.95	69	3.50	341	492	4.31			10	2.30	374	449	3.93	5.9	2.90	18	9238	80.91	37	0.80	GR139 GRF139	4P	432			388			3.40	5.9	3.40			20			8391	73.49	48	0.90	23	7444	65.20	51	1.00	25	6756	59.17	52	1.10	29	5807	50.86	54			1.30	33	5068	44.39	55					1.50	39			4299	37.65	56	1.75	45	3758	32.91	57	2.00	53	3178	27.83	57	2.30	50	3376	29.57	57	2.20	61	2754	24.12	57	2.80	432	388	3.40	5.9	3.40	GRX139 GRXF139							4P	490	343			3.00	6.5	4.00	67	2512	22.00	58	3.00	77	2174	19.04	58	3.50	88	1918	16.80	58	4.00			568	296	2.59	6.9	4.25	642	261	2.29	5.9	4.35	762	220	1.93	6.0	4.90	350	480	4.20	7.3	1.65	36	4609	40.37	19	0.90	GR109 GRF109					4P	386					435	3.81	7.2	1.80	42	4026	35.26	21	1.00	50	3367	29.49	20	1.20	435	386	3.38	7.0	2.00					479					351	3.07	6.9	2.20	557	301	2.64	6.7	2.60	639	263	2.30	6.4	3.00	754	223	1.95	6.2	3.20	860	195	1.71	6.0	3.40	1021	164	1.44	5.7	3.70	404	416	3.64	5.8	1.35	445	377	3.30			5.7							1.50	GRX109 GRXF109	4P	503	333	2.92	5.5	1.70	503	333	2.92	5.5	1.70	557	301	2.64	5.4		1.85	656	256	2.24		5.2	2.20	750	224	1.96	5.1	2.40	896	187	1.64	4.9	2.60	1035	162	1.42	4.7	2.70	533	315	2.76	2.9	1.20	593	283	2.48					3.2					1.35	GRX99 GRXF99	4P	684	245	2.15	3.4	1.50	684	245	2.15	3.4	1.50	762	220	1.93	3.6	1.55	919	183	1.60	3.6	1.65	1058	159	1.39	3.5	1.75	593	283	2.48	3.2	1.35	684			245	2.15	3.4					1.50	GRX89 GRXF89	4P	762	220	1.93	3.6	1.55	919	183	1.60	3.6	1.65	1058	159	1.39	3.5	1.75	1058	159	1.39	3.5	1.75																																																																																																																																											
18	9466	82.91	114	1.80			20	8415	73.70	114	2.00	22	7696	67.40	114	2.20			25	6697	58.65	114	2.50	28	5910			51.76	114	2.80			33	5123	44.87	114	3.20	12	13685	119.86	54	0.90	GR149 GRF149	4P	175	958	8.39	12	2.00			13	12481	109.31			59	1.00	16			10801	94.60	62	1.15	18			9530	83.47	64			1.30	20	8231	72.09	66	1.50	22	7649	66.99	67	1.60	24	6975	61.09	67	1.75	28	6037			52.87	68	2.00	32	5326			46.65			69	2.30	36	4600	40.29			69	2.70	41	4069	35.64	69	3.00	49	3420	29.95	69	3.50	341	492	4.31	10	2.30	374	449	3.93	5.9	2.90	18	9238	80.91	37	0.80	GR139 GRF139	4P	432	388	3.40	5.9	3.40			20			8391			73.49	48	0.90			23			7444	65.20	51	1.00	25	6756	59.17	52	1.10	29	5807	50.86	54	1.30	33	5068	44.39	55			1.50	39	4299	37.65	56					1.75	45	3758	32.91	57	2.00	53	3178	27.83	57	2.30	50	3376	29.57	57	2.20	61	2754	24.12	57	2.80	432	388	3.40	5.9	3.40	GRX139 GRXF139	4P	490	343	3.00	6.5	4.00									67	2512			22.00	58	3.00	77	2174	19.04	58	3.50	88	1918	16.80	58	4.00	568	296	2.59	6.9	4.25	642	261	2.29	5.9	4.35	762	220	1.93	6.0	4.90	350	480	4.20	7.3	1.65	36	4609	40.37	19	0.90	GR109 GRF109	4P	386	435	3.81	7.2	1.80							42					4026	35.26	21	1.00	50	3367	29.49	20	1.20	435	386	3.38	7.0	2.00	479	351	3.07	6.9	2.20					557			301	2.64	6.7	2.60	639	263	2.30	6.4	3.00	754	223	1.95	6.2	3.20	860	195	1.71	6.0	3.40	1021	164	1.44	5.7	3.70	404	416	3.64	5.8	1.35	445	377	3.30	5.7	1.50	GRX109 GRXF109	4P	503	333	2.92			5.5							1.70			503	333	2.92	5.5	1.70	557	301	2.64	5.4	1.85	656	256	2.24	5.2	2.20	750	224	1.96	5.1	2.40	896	187	1.64	4.9	2.60	1035	162	1.42	4.7	2.70	533	315	2.76	2.9	1.20	593	283	2.48	3.2	1.35	GRX99 GRXF99	4P	684	245	2.15					3.4					1.50			684	245	2.15	3.4	1.50	762	220	1.93	3.6	1.55	919	183	1.60	3.6	1.65	1058	159	1.39	3.5	1.75	593	283	2.48	3.2	1.35	684	245	2.15	3.4	1.50	GRX89 GRXF89			4P	762	220			1.93	3.6	1.55			919	183	1.60	3.6	1.65	1058	159	1.39	3.5	1.75	1058	159	1.39	3.5	1.75																																																																																																																																																
20	8415	73.70	114	2.00			22	7696	67.40	114	2.20	25	6697	58.65	114	2.50			28	5910	51.76	114	2.80	33	5123			44.87	114	3.20	12	13685	119.86	54	0.90	GR149 GRF149	4P	175	958	8.39	12	2.00			13	12481	109.31	59	1.00			16	10801	94.60			62	1.15	18			9530	83.47	64	1.30	20			8231	72.09	66			1.50	22	7649	66.99	67	1.60	24	6975	61.09	67	1.75	28	6037	52.87	68	2.00	32	5326			46.65	69	2.30	36	4600			40.29			69	2.70	41	4069	35.64			69	3.00	49	3420	29.95	69	3.50	341	492	4.31	10	2.30	374	449	3.93	5.9	2.90	18	9238	80.91	37	0.80	GR139 GRF139	4P	432	388	3.40			5.9	3.40	20	8391	73.49			48			0.90			23	7444	65.20			51			1.00	25	6756	59.17	52	1.10	29	5807	50.86	54	1.30	33	5068	44.39	55	1.50	39	4299			37.65	56	1.75	45	3758		32.91	57		2.00	53	3178	27.83	57	2.30	50	3376	29.57	57	2.20	61	2754	24.12	57	2.80	432	388	3.40	5.9	3.40	GRX139 GRXF139	4P	490	343	3.00			6.5	4.00	67	2512	22.00									58	3.00			77	2174	19.04	58	3.50	88	1918	16.80	58	4.00	568	296	2.59	6.9	4.25	642	261	2.29	5.9	4.35	762	220	1.93	6.0	4.90	350	480	4.20	7.3	1.65	36	4609	40.37	19	0.90	GR109 GRF109	4P	386			435	3.81	7.2	1.80	42							4026					35.26	21	1.00	50	3367	29.49	20	1.20	435	386	3.38	7.0	2.00	479	351	3.07	6.9	2.20	557			301	2.64	6.7			2.60	639	263	2.30	6.4	3.00	754	223	1.95	6.2	3.20	860	195	1.71	6.0	3.40	1021	164	1.44	5.7	3.70	404	416	3.64	5.8	1.35	445	377	3.30	5.7	1.50	GRX109 GRXF109	4P	503			333	2.92	5.5			1.70							503			333	2.92	5.5	1.70	557	301	2.64	5.4	1.85	656	256	2.24	5.2	2.20	750	224	1.96	5.1	2.40	896	187	1.64	4.9	2.60	1035	162	1.42	4.7	2.70	533	315	2.76	2.9	1.20	593	283	2.48	3.2	1.35	GRX99 GRXF99			4P	684	245			2.15	3.4	1.50					684			245	2.15	3.4	1.50	762	220	1.93	3.6	1.55	919	183	1.60	3.6	1.65	1058	159	1.39	3.5	1.75	593	283	2.48	3.2	1.35	684	245	2.15	3.4	1.50	GRX89 GRXF89		4P	762		220	1.93			3.6	1.55	919			183	1.60	3.6	1.65	1058	159	1.39	3.5	1.75	1058	159	1.39	3.5	1.75																																																																																																																																																	
22	7696	67.40	114	2.20			25	6697	58.65	114	2.50	28	5910	51.76	114	2.80			33	5123	44.87	114	3.20	12	13685	119.86	54	0.90	GR149 GRF149	4P	175	958	8.39	12	2.00			13	12481	109.31	59	1.00			16	10801	94.60	62	1.15			18	9530	83.47			64	1.30	20			8231	72.09	66	1.50	22			7649	66.99	67			1.60	24	6975	61.09	67	1.75	28	6037	52.87	68	2.00	32	5326	46.65	69	2.30	36	4600			40.29	69	2.70	41	4069			35.64			69	3.00	49	3420	29.95			69	3.50	341	492	4.31	10	2.30	374	449	3.93	5.9	2.90	18	9238	80.91	37	0.80	GR139 GRF139	4P	432	388	3.40			5.9	3.40	20			8391	73.49	48	0.90	23			7444			65.20			51	1.00	25			6756			59.17	52	1.10	29	5807	50.86	54	1.30	33	5068	44.39	55	1.50	39	4299	37.65	56	1.75			45	3758	32.91	57	2.00	53	3178	27.83	57	2.30	50	3376	29.57	57	2.20	61	2754	24.12	57	2.80	432	388	3.40	5.9	3.40	GRX139 GRXF139	4P	490	343	3.00			6.5	4.00	67			2512	22.00	58	3.00	77									2174	19.04			58	3.50	88	1918	16.80	58	4.00	568	296	2.59	6.9	4.25	642	261	2.29	5.9	4.35	762	220	1.93	6.0	4.90	350	480	4.20	7.3	1.65	36	4609	40.37	19	0.90	GR109 GRF109	4P	386			435			3.81	7.2	1.80	42	4026							35.26					21	1.00	50	3367	29.49	20	1.20	435	386	3.38	7.0	2.00	479	351	3.07	6.9	2.20	557	301			2.64	6.7	2.60	639	263	2.30	6.4	3.00	754	223	1.95	6.2	3.20	860	195	1.71	6.0	3.40	1021	164	1.44	5.7	3.70	404	416	3.64	5.8	1.35	445	377	3.30	5.7	1.50	GRX109 GRXF109	4P	503			333			2.92	5.5	1.70			503							333			2.92	5.5	1.70	557	301	2.64	5.4	1.85	656	256	2.24	5.2	2.20	750	224	1.96	5.1	2.40	896	187	1.64	4.9	2.60	1035	162	1.42	4.7	2.70	533	315	2.76	2.9	1.20	593	283	2.48	3.2	1.35	GRX99 GRXF99					4P	684			245	2.15	3.4			1.50	684	245			2.15	3.4	1.50	762	220	1.93	3.6	1.55	919	183	1.60	3.6	1.65	1058	159	1.39	3.5	1.75	593	283	2.48	3.2	1.35	684	245	2.15	3.4	1.50	GRX89 GRXF89				4P		762	220	1.93	3.6	1.55	919	183			1.60	3.6	1.65	1058	159	1.39	3.5	1.75	1058	159	1.39	3.5	1.75																																																																																																																																																		
25	6697	58.65	114	2.50			28	5910	51.76	114	2.80	33	5123	44.87	114	3.20	12	13685	119.86	54	0.90	GR149 GRF149	4P	175	958	8.39	12	2.00			13	12481	109.31	59	1.00			16	10801	94.60	62	1.15			18	9530	83.47	64	1.30			20	8231	72.09			66	1.50	22			7649	66.99	67	1.60	24			6975	61.09	67			1.75	28	6037	52.87	68	2.00	32	5326	46.65	69	2.30	36	4600	40.29	69	2.70	41	4069			35.64	69	3.00	49	3420			29.95			69	3.50	341	492	4.31	10	2.30	374	449	3.93	5.9	2.90	18	9238	80.91	37	0.80	GR139 GRF139	4P	432	388	3.40	5.9	3.40			20	8391	73.49			48	0.90	23			7444	65.20	51	1.00	25			6756			59.17			52	1.10	29			5807			50.86	54	1.30	33	5068	44.39	55	1.50	39	4299	37.65	56	1.75	45	3758	32.91	57	2.00	53	3178	27.83	57	2.30	50	3376	29.57	57	2.20	61	2754	24.12	57	2.80	432	388	3.40	5.9	3.40	GRX139 GRXF139	4P	490	343	3.00	6.5	4.00			67	2512	22.00			58	3.00	77			2174	19.04	58	3.50	88									1918	16.80	58	4.00	568	296	2.59	6.9	4.25	642	261	2.29	5.9	4.35	762	220	1.93	6.0	4.90	350	480	4.20	7.3	1.65	36	4609	40.37	19	0.90	GR109 GRF109	4P	386	435	3.81	7.2	1.80			42			4026			35.26	21	1.00	50	3367							29.49					20	1.20	435	386	3.38	7.0	2.00	479	351	3.07	6.9	2.20	557	301	2.64	6.7	2.60	639	263	2.30	6.4	3.00	754	223	1.95	6.2	3.20	860	195	1.71	6.0	3.40	1021	164	1.44	5.7	3.70	404	416	3.64	5.8	1.35	445	377	3.30	5.7	1.50	GRX109 GRXF109	4P	503	333	2.92	5.5	1.70			503			333			2.92	5.5	1.70			557		301	2.64				5.4			1.85	656	256	2.24	5.2	2.20	750	224	1.96	5.1	2.40	896	187	1.64	4.9	2.60	1035	162	1.42	4.7	2.70	533	315	2.76	2.9	1.20	593	283	2.48	3.2	1.35	GRX99 GRXF99	4P	684	245	2.15	3.4	1.50							684	245	2.15	3.4	1.50	762			220	1.93	3.6			1.55	919	183	1.60	3.6	1.65	1058	159	1.39	3.5	1.75	593	283	2.48	3.2	1.35	684	245	2.15	3.4	1.50	GRX89 GRXF89	4P	762	220	1.93	3.6	1.55							919	183	1.60	3.6	1.65	1058	159	1.39	3.5	1.75	1058	159	1.39	3.5	1.75																																																																																																																																																									
28	5910	51.76	114	2.80			33	5123	44.87	114	3.20	12	13685	119.86	54	0.90	GR149 GRF149	4P	175	958	8.39			12	2.00	13	12481	109.31			59	1.00	16	10801	94.60			62	1.15	18	9530	83.47			64	1.30	20	8231	72.09			66	1.50	22			7649	66.99	67			1.60	24	6975	61.09	67			1.75	28	6037			52.87	68	2.00	32	5326	46.65	69	2.30	36	4600	40.29	69	2.70	41	4069	35.64	69	3.00			49	3420	29.95	69	3.50			341	492	4.31	10	2.30	374	449	3.93	5.9	2.90	18	9238	80.91	37	0.80	GR139 GRF139	4P	432	388	3.40			5.9	3.40	20	8391	73.49			48	0.90	23			7444	65.20	51			1.00	25	6756	59.17	52			1.10			29			5807	50.86	54			1.30			33	5068	44.39	55	1.50	39	4299	37.65	56	1.75	45	3758	32.91	57	2.00	53	3178	27.83	57	2.30	50	3376	29.57	57	2.20	61	2754	24.12	57	2.80	432	388	3.40	5.9	3.40	GRX139 GRXF139	4P	490			343	3.00	6.5	4.00	67			2512	22.00	58			3.00	77	2174			19.04	58	3.50	88	1918						16.80	58		4.00	568	296	2.59	6.9	4.25	642	261	2.29	5.9	4.35	762	220	1.93	6.0	4.90	350	480	4.20	7.3	1.65	36	4609	40.37	19	0.90	GR109 GRF109	4P	386			435	3.81	7.2	1.80	42			4026			35.26			21	1.00	50	3367	29.49							20					1.20	435	386	3.38	7.0	2.00	479	351	3.07	6.9	2.20	557	301	2.64	6.7	2.60	639	263	2.30	6.4	3.00	754	223	1.95	6.2	3.20	860	195	1.71	6.0	3.40	1021	164	1.44	5.7	3.70	404	416	3.64	5.8	1.35	445	377	3.30	5.7	1.50	GRX109 GRXF109			4P	503	333	2.92	5.5			1.70			503			333	2.92	5.5			1.70		557	301		2.64	5.4	1.85			656	256	2.24	5.2	2.20	750	224	1.96	5.1	2.40	896	187	1.64	4.9	2.60	1035	162	1.42	4.7	2.70	533	315	2.76	2.9	1.20	593	283	2.48	3.2	1.35	GRX99 GRXF99			4P	684	245	2.15	3.4							1.50	684	245	2.15	3.4	1.50	762	220	1.93	3.6	1.55			919	183	1.60	3.6	1.65	1058	159	1.39	3.5	1.75	593	283	2.48	3.2	1.35	684	245	2.15	3.4	1.50	GRX89 GRXF89			4P	762	220	1.93	3.6			1.55			919	183	1.60	3.6	1.65	1058	159	1.39	3.5	1.75	1058	159	1.39	3.5	1.75																																																																																																																																																										
33	5123	44.87	114	3.20																																																																																																																																																																																																																																																																																																																																																																																																																																																																																																																																																																																																																																														
12	13685	119.86	54	0.90	GR149 GRF149	4P	175	958	8.39	12	2.00																																																																																																																																																																																																																																																																																																																																																																																																																																																																																																																																																																																																																																							
13	12481	109.31	59	1.00			16	10801	94.60	62	1.15	18	9530	83.47	64	1.30			20	8231	72.09			66	1.50	22	7649	66.99			67	1.60	24	6975	61.09			67	1.75	28	6037	52.87			68	2.00	32	5326	46.65			69	2.30	36			4600	40.29	69			2.70	41	4069	35.64	69			3.00	49	3420			29.95	69	3.50	341	492	4.31	10	2.30	374	449	3.93	5.9	2.90	18	9238	80.91	37	0.80	GR139 GRF139	4P	432	388	3.40	5.9	3.40	20	8391	73.49	48	0.90	23	7444	65.20	51	1.00	25	6756	59.17	52	1.10	29	5807			50.86	54	1.30			33	5068	44.39	55	1.50			39	4299	37.65			56	1.75	45			3758	32.91	57	2.00	53			3178			27.83			57	2.30	50	3376	29.57	57	2.20	61	2754	24.12	57	2.80	432	388	3.40	5.9	3.40	GRX139 GRXF139	4P	490	343	3.00	6.5	4.00	67	2512	22.00	58	3.00	77	2174	19.04	58	3.50	88	1918	16.80	58	4.00	568	296	2.59	6.9			4.25			642	261	2.29	5.9	4.35			762	220	1.93			6.0	4.90	350			480	4.20	7.3	1.65	36	4609	40.37	19	0.90	GR109 GRF109	4P	386	435	3.81	7.2	1.80	42	4026	35.26	21	1.00	50	3367	29.49	20	1.20	435	386	3.38	7.0	2.00	479	351	3.07	6.9	2.20	557	301	2.64			6.7			2.60	639	263	2.30	6.4			3.00			754			223	1.95	6.2	3.20	860							195	1.71	6.0	3.40	1021	164	1.44	5.7	3.70	404	416	3.64	5.8	1.35	445	377	3.30	5.7	1.50	GRX109 GRXF109	4P	503	333	2.92	5.5	1.70	503	333	2.92	5.5	1.70	557	301	2.64	5.4	1.85	656	256	2.24	5.2	2.20	750	224	1.96	5.1	2.40	896	187	1.64	4.9	2.60					1035	162	1.42	4.7			2.70			533			315	2.76	2.9	1.20	593	283	2.48	3.2	1.35	GRX99 GRXF99	4P	684	245	2.15	3.4	1.50	684	245	2.15	3.4	1.50	762	220	1.93	3.6	1.55	919	183	1.60	3.6	1.65	1058	159	1.39	3.5	1.75	593	283	2.48	3.2	1.35	684	245	2.15	3.4					1.50	GRX89 GRXF89	4P	762		220	1.93	3.6	1.55		919	183	1.60	3.6	1.65	1058	159	1.39	3.5	1.75	1058	159	1.39	3.5	1.75																																																																																																																																																																																																								
16	10801	94.60	62	1.15			18	9530	83.47	64	1.30	20	8231	72.09	66	1.50			22	7649	66.99			67	1.60	24	6975	61.09			67	1.75	28	6037	52.87			68	2.00	32	5326	46.65			69	2.30	36	4600	40.29			69	2.70	41			4069	35.64	69			3.00	49	3420	29.95	69			3.50	341	492			4.31	10	2.30	374	449	3.93	5.9	2.90	18	9238	80.91	37	0.80	GR139 GRF139	4P	432	388	3.40			5.9	3.40	20	8391	73.49	48	0.90	23	7444	65.20	51	1.00	25	6756	59.17	52	1.10	29	5807	50.86	54	1.30			33	5068	44.39			55	1.50	39	4299	37.65			56	1.75	45			3758	32.91	57			2.00	53	3178	27.83	57			2.30			50	3376	29.57	57	2.20	61	2754	24.12	57	2.80	432	388	3.40	5.9	3.40	GRX139 GRXF139	4P	490	343	3.00			6.5	4.00	67	2512	22.00	58	3.00	77	2174	19.04	58	3.50	88	1918	16.80	58	4.00	568	296	2.59	6.9	4.25	642	261			2.29			5.9	4.35	762	220	1.93			6.0	4.90	350			480	4.20	7.3	1.65	36	4609	40.37	19	0.90	GR109 GRF109	4P	386	435	3.81			7.2	1.80	42	4026	35.26	21	1.00	50	3367	29.49	20	1.20	435	386	3.38	7.0	2.00	479	351	3.07	6.9	2.20	557	301	2.64	6.7	2.60	639			263			2.30	6.4	3.00	754	223			1.95			6.2			3.20	860	195	1.71	6.0			3.40	1021			164	1.44	5.7	3.70	404	416	3.64	5.8	1.35	445	377	3.30	5.7	1.50	GRX109 GRXF109	4P	503	333	2.92			5.5	1.70	503	333	2.92	5.5	1.70	557	301	2.64	5.4	1.85	656	256	2.24	5.2	2.20	750	224	1.96	5.1	2.40	896	187	1.64	4.9	2.60	1035	162	1.42					4.7	2.70	533	315			2.76			2.9	1.20	593	283	2.48	3.2	1.35	GRX99 GRXF99	4P	684	245	2.15			3.4	1.50	684	245	2.15	3.4	1.50	762	220	1.93	3.6	1.55	919	183	1.60	3.6	1.65	1058	159	1.39	3.5	1.75	593	283	2.48	3.2	1.35	684	245	2.15	3.4	1.50	GRX89 GRXF89	4P					762			220	1.93	3.6	1.55	919	183	1.60	3.6	1.65	1058	159	1.39	3.5	1.75	1058	159	1.39	3.5	1.75																																																																																																																																																																																																											
18	9530	83.47	64	1.30			20	8231	72.09	66	1.50	22	7649	66.99	67	1.60			24	6975	61.09			67	1.75	28	6037	52.87			68	2.00	32	5326	46.65			69	2.30	36	4600	40.29			69	2.70	41	4069	35.64			69	3.00	49			3420	29.95	69			3.50	341	492	4.31	10			2.30	374	449	3.93	5.9	2.90	18	9238	80.91	37	0.80	GR139 GRF139	4P	432	388	3.40	5.9	3.40			20	8391	73.49			48	0.90	23	7444	65.20	51	1.00	25	6756	59.17	52	1.10	29	5807	50.86	54	1.30	33	5068	44.39	55	1.50			39	4299	37.65			56	1.75	45	3758	32.91			57	2.00	53			3178	27.83	57			2.30	50	3376	29.57	57			2.20	61	2754	24.12	57	2.80	432	388	3.40	5.9	3.40	GRX139 GRXF139	4P	490	343	3.00	6.5	4.00			67	2512	22.00			58	3.00	77	2174	19.04	58	3.50	88	1918	16.80	58	4.00	568	296	2.59	6.9	4.25	642	261	2.29	5.9	4.35	762	220			1.93			6.0	4.90	350	480	4.20			7.3	1.65	36	4609	40.37	19	0.90	GR109 GRF109	4P	386	435	3.81	7.2	1.80			42	4026	35.26			21	1.00	50	3367	29.49	20	1.20	435	386	3.38	7.0	2.00	479	351	3.07	6.9	2.20	557	301	2.64	6.7	2.60	639	263	2.30	6.4	3.00	754			223			1.95	6.2	3.20	860	195			1.71			6.0			3.40	1021	164	1.44	5.7		3.70	404	416	3.64		5.8	1.35	445	377	3.30	5.7	1.50	GRX109 GRXF109	4P	503	333	2.92	5.5	1.70			503	333	2.92			5.5	1.70	557	301	2.64	5.4	1.85	656	256	2.24	5.2	2.20	750	224	1.96	5.1	2.40	896	187	1.64	4.9	2.60	1035	162	1.42	4.7	2.70	533	315	2.76					2.9	1.20	593	283			2.48	3.2	1.35	GRX99 GRXF99	4P	684	245	2.15	3.4	1.50			684	245	2.15			3.4	1.50	762	220	1.93	3.6	1.55	919	183	1.60	3.6	1.65	1058	159	1.39	3.5	1.75	593	283	2.48	3.2	1.35	684	245	2.15	3.4	1.50	GRX89 GRXF89	4P	762	220	1.93				3.6	1.55		919			183	1.60	3.6	1.65	1058	159	1.39	3.5	1.75	1058	159	1.39	3.5	1.75																																																																																																																																																																																																																
20	8231	72.09	66	1.50			22	7649	66.99	67	1.60	24	6975	61.09	67	1.75			28	6037	52.87			68	2.00	32	5326	46.65			69	2.30	36	4600	40.29			69	2.70	41	4069	35.64			69	3.00	49	3420	29.95			69	3.50	341			492	4.31	10			2.30	374	449	3.93	5.9	2.90	18	9238	80.91	37	0.80	GR139 GRF139	4P	432	388	3.40	5.9	3.40			20	8391	73.49	48	0.90			23	7444	65.20			51	1.00	25	6756	59.17	52	1.10	29	5807	50.86	54	1.30	33	5068	44.39	55	1.50	39	4299	37.65	56	1.75			45	3758	32.91			57	2.00	53	3178	27.83			57	2.30	50			3376	29.57	57			2.20	61	2754	24.12	57	2.80	432	388	3.40	5.9	3.40	GRX139 GRXF139	4P	490	343	3.00	6.5	4.00			67	2512	22.00	58	3.00			77	2174	19.04			58	3.50	88	1918	16.80	58	4.00	568	296	2.59	6.9	4.25	642	261	2.29	5.9	4.35	762	220	1.93	6.0	4.90	350	480			4.20			7.3	1.65	36	4609	40.37	19	0.90	GR109 GRF109	4P	386	435	3.81	7.2	1.80			42	4026	35.26	21	1.00			50	3367	29.49			20	1.20	435	386	3.38	7.0	2.00	479	351	3.07	6.9	2.20	557	301	2.64	6.7	2.60	639	263	2.30	6.4	3.00	754	223	1.95	6.2	3.20	860			195			1.71	6.0	3.40	1021	164			1.44			5.7			3.70	404	416	3.64	5.8	1.35	445	377	3.30	5.7	1.50	GRX109 GRXF109	4P	503	333	2.92	5.5	1.70			503	333	2.92	5.5	1.70			557	301	2.64			5.4	1.85	656	256	2.24	5.2	2.20	750	224	1.96	5.1	2.40	896	187	1.64	4.9	2.60	1035	162	1.42	4.7	2.70	533	315	2.76	2.9	1.20	593	283	2.48					3.2	1.35	GRX99 GRXF99	4P	684	245	2.15	3.4	1.50			684	245	2.15	3.4	1.50			762	220	1.93			3.6	1.55	919	183	1.60	3.6	1.65	1058	159	1.39	3.5	1.75	593	283	2.48	3.2	1.35	684	245	2.15	3.4	1.50	GRX89 GRXF89	4P	762	220	1.93			3.6	1.55	919			183	1.60	3.6	1.65	1058			159	1.39	3.5	1.75	1058	159	1.39	3.5	1.75																																																																																																																																																																																																																					
22	7649	66.99	67	1.60			24	6975	61.09	67	1.75	28	6037	52.87	68	2.00			32	5326	46.65			69	2.30	36	4600	40.29			69	2.70	41	4069	35.64			69	3.00	49	3420	29.95			69	3.50	341	492	4.31			10	2.30	374			449	3.93	5.9	2.90	18	9238	80.91	37	0.80	GR139 GRF139	4P	432	388	3.40	5.9	3.40			20	8391	73.49	48	0.90			23	7444	65.20	51	1.00			25	6756	59.17			52	1.10	29	5807	50.86	54	1.30	33	5068	44.39	55	1.50	39	4299	37.65	56	1.75	45	3758	32.91	57	2.00			53	3178	27.83			57	2.30	50	3376	29.57			57	2.20	61			2754	24.12	57	2.80	432	388	3.40	5.9	3.40	GRX139 GRXF139	4P	490	343	3.00	6.5	4.00			67	2512	22.00	58	3.00			77	2174	19.04	58	3.50			88	1918	16.80			58	4.00	568	296	2.59	6.9	4.25	642	261	2.29	5.9	4.35	762	220	1.93	6.0	4.90	350	480	4.20	7.3	1.65	36	4609			40.37	19	0.90	GR109 GRF109	4P	386	435	3.81	7.2	1.80			42	4026	35.26	21	1.00			50	3367	29.49	20	1.20			435	386	3.38			7.0	2.00	479	351	3.07	6.9	2.20	557	301	2.64	6.7	2.60	639	263	2.30	6.4	3.00	754	223	1.95	6.2	3.20	860	195	1.71	6.0	3.40	1021			164			1.44	5.7	3.70	404	416			3.64			5.8	1.35	445	377	3.30	5.7	1.50	GRX109 GRXF109	4P	503	333	2.92	5.5	1.70			503	333	2.92	5.5	1.70			557	301	2.64	5.4	1.85			656	256	2.24			5.2	2.20	750	224	1.96	5.1	2.40	896	187	1.64	4.9	2.60	1035	162	1.42	4.7	2.70	533	315	2.76	2.9	1.20	593	283	2.48	3.2	1.35	GRX99 GRXF99	4P	684		245	2.15		3.4	1.50			684	245	2.15	3.4	1.50			762	220	1.93	3.6	1.55			919	183	1.60			3.6	1.65	1058	159	1.39	3.5	1.75	593	283	2.48	3.2	1.35	684	245	2.15	3.4	1.50	GRX89 GRXF89	4P	762	220	1.93			3.6	1.55	919			183	1.60	3.6			1.65	1058	159	1.39	3.5	1.75	1058	159	1.39	3.5	1.75																																																																																																																																																																																																																										
24	6975	61.09	67	1.75			28	6037	52.87	68	2.00	32	5326	46.65	69	2.30			36	4600	40.29			69	2.70	41	4069	35.64			69	3.00	49	3420	29.95			69	3.50	341	492	4.31			10	2.30	374	449	3.93			5.9	2.90	18	9238	80.91	37	0.80	GR139 GRF139	4P	432	388	3.40	5.9	3.40			20	8391	73.49	48	0.90			23	7444	65.20	51	1.00			25	6756	59.17	52	1.10			29	5807	50.86			54	1.30	33	5068	44.39	55	1.50	39	4299	37.65	56	1.75	45	3758	32.91	57	2.00	53	3178	27.83	57	2.30			50	3376	29.57			57	2.20	61	2754	24.12			57	2.80	432	388	3.40	5.9	3.40	GRX139 GRXF139	4P	490	343	3.00	6.5	4.00			67	2512	22.00	58	3.00			77	2174	19.04	58	3.50			88	1918	16.80	58	4.00			568	296	2.59			6.9	4.25	642	261	2.29	5.9	4.35	762	220	1.93	6.0	4.90	350	480	4.20	7.3	1.65	36	4609	40.37	19	0.90	GR109 GRF109	4P	386	435	3.81	7.2	1.80			42	4026	35.26	21	1.00			50	3367	29.49	20	1.20			435	386	3.38	7.0	2.00			479	351	3.07			6.9	2.20	557	301	2.64	6.7	2.60	639	263	2.30	6.4	3.00	754	223	1.95	6.2	3.20	860	195	1.71	6.0	3.40	1021	164	1.44	5.7	3.70	404			416			3.64	5.8	1.35	445	377			3.30	5.7	1.50	GRX109 GRXF109	4P	503	333	2.92	5.5	1.70			503	333	2.92	5.5	1.70			557	301	2.64	5.4	1.85			656	256	2.24	5.2	2.20			750	224	1.96			5.1	2.40	896	187	1.64	4.9	2.60	1035	162	1.42	4.7	2.70	533	315	2.76	2.9	1.20	593	283	2.48	3.2	1.35	GRX99 GRXF99	4P	684	245	2.15			3.4	1.50	684	245	2.15	3.4	1.50			762	220	1.93	3.6	1.55			919	183	1.60	3.6	1.65			1058	159	1.39			3.5	1.75	593	283	2.48	3.2	1.35	684	245	2.15	3.4	1.50	GRX89 GRXF89	4P	762	220	1.93			3.6	1.55	919			183	1.60	3.6			1.65	1058	159	1.39	3.5	1.75	1058	159	1.39	3.5	1.75																																																																																																																																																																																																																															
28	6037	52.87	68	2.00			32	5326	46.65	69	2.30	36	4600	40.29	69	2.70			41	4069	35.64			69	3.00	49	3420	29.95			69	3.50	341	492	4.31			10	2.30	374	449	3.93			5.9	2.90	18	9238	80.91	37	0.80	GR139 GRF139	4P	432	388	3.40	5.9	3.40			20	8391	73.49	48	0.90			23	7444	65.20	51	1.00			25	6756	59.17	52	1.10			29	5807	50.86	54	1.30			33	5068	44.39			55	1.50	39	4299	37.65	56	1.75	45	3758	32.91	57	2.00	53	3178	27.83	57	2.30	50	3376	29.57	57	2.20			61	2754	24.12			57	2.80	432	388	3.40	5.9	3.40	GRX139 GRXF139	4P	490	343	3.00	6.5	4.00			67	2512	22.00	58	3.00			77	2174	19.04	58	3.50			88	1918	16.80	58	4.00			568	296	2.59	6.9	4.25			642	261	2.29			5.9	4.35	762	220	1.93	6.0	4.90	350	480	4.20	7.3	1.65	36	4609	40.37	19	0.90	GR109 GRF109	4P	386	435	3.81			7.2	1.80	42	4026	35.26			21	1.00	50	3367	29.49			20	1.20	435	386	3.38			7.0	2.00	479	351	3.07			6.9	2.20	557			301	2.64	6.7	2.60	639	263	2.30	6.4	3.00	754	223	1.95	6.2	3.20	860	195	1.71	6.0	3.40	1021	164	1.44	5.7	3.70	404	416	3.64	5.8			1.35			445	377	3.30	5.7	1.50	GRX109 GRXF109	4P	503	333	2.92			5.5	1.70	503	333	2.92			5.5	1.70	557	301	2.64			5.4	1.85	656	256	2.24			5.2	2.20	750	224	1.96			5.1	2.40	896			187	1.64	4.9	2.60	1035	162	1.42	4.7	2.70	533	315	2.76	2.9	1.20	593	283	2.48	3.2	1.35	GRX99 GRXF99	4P	684			245	2.15	3.4			1.50	684	245	2.15	3.4	1.50	762			220	1.93	3.6	1.55	919			183	1.60	3.6	1.65	1058			159	1.39	3.5	1.75	593	283	2.48	3.2	1.35	684	245	2.15	3.4	1.50	GRX89 GRXF89	4P	762			220	1.93	3.6			1.55	919	183			1.60	3.6	1.65	1058	159	1.39	3.5	1.75	1058	159	1.39	3.5	1.75																																																																																																																																																																																																																																		
32	5326	46.65	69	2.30			36	4600	40.29	69	2.70	41	4069	35.64	69	3.00			49	3420	29.95			69	3.50	341	492	4.31			10	2.30	374	449	3.93			5.9	2.90	18	9238	80.91	37	0.80	GR139 GRF139	4P	432	388	3.40	5.9	3.40			20	8391	73.49	48	0.90			23	7444	65.20	51	1.00			25	6756	59.17	52	1.10			29	5807	50.86	54	1.30			33	5068	44.39	55	1.50			39	4299	37.65			56	1.75	45	3758	32.91	57	2.00	53	3178	27.83	57	2.30	50	3376	29.57	57	2.20	61	2754	24.12	57	2.80			432	388	3.40	5.9	3.40	GRX139 GRXF139	4P	490	343	3.00	6.5	4.00			67	2512	22.00	58	3.00			77	2174	19.04	58	3.50			88	1918	16.80	58	4.00			568	296	2.59	6.9	4.25			642	261	2.29	5.9	4.35			762	220	1.93			6.0	4.90	350	480	4.20	7.3	1.65	36	4609	40.37	19	0.90	GR109 GRF109	4P	386	435	3.81			7.2	1.80	42			4026	35.26	21	1.00	50			3367	29.49	20	1.20	435			386	3.38	7.0	2.00	479			351	3.07	6.9	2.20	557			301	2.64	6.7			2.60	639	263	2.30	6.4	3.00	754	223	1.95	6.2	3.20	860	195	1.71	6.0	3.40	1021	164	1.44	5.7	3.70	404	416	3.64	5.8	1.35	445	377			3.30	5.7	1.50	GRX109 GRXF109	4P	503	333	2.92			5.5	1.70	503			333	2.92	5.5	1.70	557			301	2.64	5.4	1.85	656			256	2.24	5.2	2.20	750			224	1.96	5.1	2.40	896			187	1.64	4.9			2.60	1035	162	1.42	4.7	2.70	533	315	2.76	2.9	1.20	593	283	2.48	3.2	1.35	GRX99 GRXF99	4P	684			245			2.15	3.4	1.50			684	245	2.15	3.4	1.50	762	220			1.93	3.6	1.55	919	183			1.60	3.6	1.65	1058	159	1.39	3.5	1.75	593	283	2.48	3.2	1.35	684	245	2.15	3.4	1.50	GRX89 GRXF89	4P	762			220			1.93	3.6	1.55			919	183	1.60	3.6	1.65	1058	159	1.39	3.5	1.75	1058	159	1.39	3.5	1.75																																																																																																																																																																																																																																					
36	4600	40.29	69	2.70			41	4069	35.64	69	3.00	49	3420	29.95	69	3.50			341	492	4.31			10	2.30	374	449	3.93			5.9	2.90	18	9238	80.91	37	0.80	GR139 GRF139	4P	432	388	3.40	5.9	3.40			20	8391	73.49	48	0.90			23	7444	65.20	51	1.00			25	6756	59.17	52	1.10			29	5807	50.86	54	1.30			33	5068	44.39	55	1.50			39	4299	37.65	56	1.75			45	3758	32.91			57	2.00	53	3178	27.83	57	2.30	50	3376	29.57	57	2.20	61	2754	24.12	57	2.80	432	388	3.40	5.9	3.40	GRX139 GRXF139	4P	490	343	3.00	6.5	4.00			67	2512	22.00	58	3.00			77	2174	19.04	58	3.50			88	1918	16.80	58	4.00			568	296	2.59	6.9	4.25			642	261	2.29	5.9	4.35			762	220	1.93	6.0	4.90			350	480	4.20	7.3	1.65	36	4609	40.37	19	0.90	GR109 GRF109	4P	386	435	3.81	7.2	1.80			42	4026	35.26			21	1.00	50			3367	29.49	20	1.20	435			386	3.38	7.0	2.00	479			351	3.07	6.9	2.20	557			301	2.64	6.7	2.60	639			263	2.30	6.4			3.00	754	223	1.95	6.2	3.20	860	195	1.71	6.0	3.40	1021	164	1.44	5.7	3.70	404	416	3.64	5.8	1.35	445	377	3.30	5.7	1.50	GRX109 GRXF109	4P	503	333	2.92	5.5	1.70			503	333	2.92			5.5	1.70	557			301	2.64	5.4	1.85	656			256	2.24	5.2	2.20	750			224	1.96	5.1	2.40	896			187	1.64	4.9	2.60	1035			162	1.42	4.7	2.70	533	315	2.76	2.9	1.20	593	283	2.48	3.2	1.35	GRX99 GRXF99	4P	684	245	2.15	3.4	1.50			684			245			2.15	3.4	1.50			762	220	1.93	3.6	1.55	919	183			1.60	3.6	1.65	1058	159	1.39	3.5	1.75	593	283	2.48	3.2	1.35	684	245	2.15	3.4	1.50	GRX89 GRXF89	4P	762	220	1.93	3.6	1.55			919			183			1.60	3.6	1.65	1058	159	1.39	3.5	1.75	1058	159	1.39	3.5	1.75																																																																																																																																																																																																																																												
41	4069	35.64	69	3.00			49	3420	29.95	69	3.50	341	492	4.31	10	2.30			374	449	3.93			5.9	2.90	18	9238	80.91	37	0.80	GR139 GRF139	4P	432	388	3.40	5.9	3.40			20	8391	73.49	48	0.90			23	7444	65.20	51	1.00			25	6756	59.17	52	1.10			29	5807	50.86	54	1.30			33	5068	44.39	55	1.50			39	4299	37.65	56	1.75			45	3758	32.91	57	2.00			53	3178	27.83			57	2.30	50	3376	29.57	57	2.20	61	2754	24.12	57	2.80	432	388	3.40	5.9	3.40	GRX139 GRXF139	4P	490	343	3.00			6.5	4.00	67	2512	22.00			58	3.00	77	2174	19.04			58	3.50	88	1918	16.80			58	4.00	568	296	2.59			6.9	4.25	642	261	2.29			5.9	4.35	762	220	1.93			6.0	4.90	350	480	4.20	7.3	1.65	36	4609	40.37	19	0.90	GR109 GRF109	4P	386	435	3.81			7.2	1.80	42	4026	35.26			21	1.00	50			3367	29.49	20			1.20	435	386	3.38	7.0			2.00	479	351	3.07	6.9			2.20	557	301	2.64	6.7			2.60	639	263	2.30	6.4			3.00	754	223			1.95	6.2	3.20	860	195	1.71	6.0	3.40	1021	164	1.44	5.7	3.70	404	416	3.64	5.8	1.35	445	377	3.30	5.7	1.50	GRX109 GRXF109	4P	503			333	2.92	5.5	1.70	503			333	2.92	5.5			1.70	557	301			2.64	5.4	1.85	656	256			2.24	5.2	2.20	750	224			1.96	5.1	2.40	896	187			1.64	4.9	2.60	1035	162	1.42	4.7	2.70	533	315	2.76	2.9	1.20	593	283	2.48	3.2	1.35	GRX99 GRXF99	4P	684			245	2.15	3.4	1.50	684			245			2.15			3.4	1.50	762			220	1.93	3.6	1.55	919	183	1.60	3.6	1.65	1058	159	1.39	3.5	1.75	593	283	2.48	3.2	1.35	684	245	2.15	3.4	1.50	GRX89 GRXF89	4P	762			220	1.93	3.6	1.55	919			183			1.60	3.6	1.65	1058	159	1.39	3.5	1.75	1058	159	1.39	3.5	1.75																																																																																																																																																																																																																																															
49	3420	29.95	69	3.50			341	492	4.31	10	2.30	374	449	3.93	5.9	2.90			18	9238	80.91	37	0.80	GR139 GRF139	4P	432	388	3.40	5.9	3.40			20	8391	73.49	48	0.90			23	7444	65.20	51	1.00			25	6756	59.17	52	1.10			29	5807	50.86	54	1.30			33	5068	44.39	55	1.50			39	4299	37.65	56	1.75			45	3758	32.91	57	2.00			53	3178	27.83	57	2.30			50	3376	29.57			57	2.20	61	2754	24.12	57	2.80	432	388	3.40	5.9	3.40	GRX139 GRXF139	4P	490	343	3.00			6.5	4.00	67			2512	22.00	58	3.00	77			2174	19.04	58	3.50	88			1918	16.80	58	4.00	568			296	2.59	6.9	4.25	642			261	2.29	5.9	4.35	762			220	1.93	6.0	4.90	350	480	4.20	7.3	1.65	36	4609	40.37	19	0.90	GR109 GRF109	4P	386	435	3.81			7.2	1.80	42			4026	35.26	21	1.00	50			3367	29.49	20			1.20	435	386			3.38	7.0	2.00	479	351			3.07	6.9	2.20	557	301			2.64	6.7	2.60	639	263			2.30	6.4	3.00	754	223			1.95	6.2	3.20			860	195	1.71	6.0	3.40	1021	164	1.44	5.7	3.70	404	416	3.64	5.8	1.35	445	377	3.30	5.7	1.50	GRX109 GRXF109	4P	503			333			2.92	5.5	1.70	503	333			2.92	5.5	1.70			557	301	2.64			5.4	1.85	656	256	2.24			5.2	2.20	750	224	1.96			5.1	2.40	896	187	1.64	4.9	2.60	1035	162	1.42	4.7	2.70	533	315	2.76	2.9	1.20	593	283	2.48	3.2	1.35	GRX99 GRXF99	4P	684			245			2.15	3.4	1.50	684	245			2.15			3.4			1.50	762	220	1.93	3.6	1.55	919	183	1.60	3.6	1.65	1058	159	1.39	3.5	1.75	593	283	2.48	3.2	1.35	684	245	2.15	3.4	1.50	GRX89 GRXF89	4P	762			220			1.93	3.6	1.55	919	183			1.60	3.6	1.65	1058	159	1.39	3.5	1.75	1058	159	1.39	3.5	1.75																																																																																																																																																																																																																																																		
341	492	4.31	10	2.30			374	449	3.93	5.9	2.90	18	9238	80.91	37	0.80	GR139 GRF139	4P	432	388	3.40	5.9	3.40			20	8391	73.49	48	0.90			23	7444	65.20	51	1.00			25	6756	59.17	52	1.10			29	5807	50.86	54	1.30			33	5068	44.39	55	1.50			39	4299	37.65	56	1.75			45	3758	32.91	57	2.00			53	3178	27.83	57	2.30			50	3376	29.57	57	2.20			61	2754	24.12	57	2.80	432	388	3.40	5.9	3.40	GRX139 GRXF139	4P	490	343	3.00	6.5	4.00			67	2512	22.00			58	3.00	77			2174	19.04	58	3.50	88			1918	16.80	58	4.00	568			296	2.59	6.9	4.25	642			261	2.29	5.9	4.35	762			220	1.93	6.0	4.90	350	480	4.20	7.3	1.65	36	4609	40.37	19	0.90	GR109 GRF109	4P	386	435	3.81	7.2	1.80			42	4026	35.26			21	1.00	50			3367	29.49	20	1.20	435			386	3.38	7.0			2.00	479	351			3.07	6.9	2.20	557	301			2.64	6.7	2.60	639	263			2.30	6.4	3.00	754	223			1.95	6.2	3.20	860	195			1.71	6.0	3.40	1021	164	1.44	5.7	3.70	404	416	3.64	5.8	1.35	445	377	3.30	5.7	1.50	GRX109 GRXF109	4P	503	333	2.92	5.5	1.70			503			333			2.92	5.5	1.70	557	301			2.64	5.4	1.85			656	256	2.24			5.2	2.20	750	224	1.96			5.1	2.40	896	187	1.64	4.9	2.60	1035	162	1.42	4.7	2.70	533	315	2.76	2.9	1.20	593	283	2.48	3.2	1.35	GRX99 GRXF99	4P	684	245	2.15	3.4	1.50			684			245			2.15	3.4	1.50	762	220			1.93			3.6	1.55	919	183	1.60	3.6	1.65	1058	159	1.39	3.5	1.75	593	283	2.48	3.2	1.35	684	245	2.15	3.4	1.50	GRX89 GRXF89	4P	762	220	1.93	3.6	1.55			919			183			1.60	3.6	1.65	1058	159	1.39	3.5	1.75	1058	159	1.39	3.5	1.75																																																																																																																																																																																																																																																									
374	449	3.93	5.9	2.90																																																																																																																																																																																																																																																																																																																																																																																																																																																																																																																																																																																																																																														
18	9238	80.91	37	0.80	GR139 GRF139	4P	432	388	3.40	5.9	3.40																																																																																																																																																																																																																																																																																																																																																																																																																																																																																																																																																																																																																																							
20	8391	73.49	48	0.90			23	7444	65.20	51	1.00	25	6756	59.17	52	1.10			29	5807	50.86	54	1.30			33	5068	44.39	55	1.50			39	4299	37.65	56	1.75			45	3758	32.91	57	2.00			53	3178	27.83	57	2.30			50	3376	29.57	57	2.20			61	2754	24.12	57	2.80			432	388	3.40	5.9	3.40	GRX139 GRXF139	4P	490	343	3.00	6.5	4.00	67	2512	22.00	58	3.00	77	2174	19.04	58	3.50	88	1918	16.80	58	4.00	568	296	2.59	6.9			4.25	642	261	2.29	5.9			4.35	762	220			1.93	6.0	4.90			350	480	4.20	7.3	1.65			36	4609	40.37	19	0.90	GR109 GRF109	4P	386	435	3.81	7.2	1.80	42	4026	35.26	21	1.00	50	3367	29.49	20	1.20	435	386	3.38	7.0	2.00	479	351	3.07	6.9	2.20	557	301	2.64			6.7	2.60	639	263	2.30			6.4	3.00	754			223	1.95	6.2			3.20	860	195	1.71	6.0			3.40	1021	164			1.44	5.7	3.70			404	416	3.64	5.8	1.35			445	377	3.30	5.7	1.50	GRX109 GRXF109	4P	503	333	2.92	5.5	1.70	503	333	2.92	5.5	1.70	557	301	2.64	5.4	1.85	656	256	2.24	5.2	2.20	750	224	1.96	5.1	2.40	896	187	1.64	4.9	2.60	1035	162			1.42	4.7	2.70	533	315			2.76			2.9			1.20	593	283	2.48	3.2			1.35	GRX99 GRXF99	4P	684	245	2.15	3.4	1.50	684	245	2.15	3.4	1.50	762	220	1.93	3.6	1.55	919	183	1.60	3.6	1.65	1058	159	1.39	3.5	1.75	593	283	2.48	3.2	1.35	684	245	2.15	3.4	1.50	GRX89 GRXF89			4P	762	220	1.93	3.6			1.55			919	183	1.60	3.6	1.65	1058	159	1.39	3.5	1.75	1058	159	1.39	3.5	1.75																																																																																																																																																																																																																																																																																																									
23	7444	65.20	51	1.00			25	6756	59.17	52	1.10	29	5807	50.86	54	1.30			33	5068	44.39	55	1.50			39	4299	37.65	56	1.75			45	3758	32.91	57	2.00			53	3178	27.83	57	2.30			50	3376	29.57	57	2.20			61	2754	24.12	57	2.80			432	388	3.40	5.9	3.40	GRX139 GRXF139	4P	490	343	3.00	6.5	4.00			67	2512	22.00	58	3.00	77	2174	19.04	58	3.50	88	1918	16.80	58	4.00	568	296	2.59	6.9	4.25	642	261	2.29	5.9			4.35	762	220	1.93	6.0			4.90	350	480			4.20	7.3	1.65			36	4609	40.37	19	0.90	GR109 GRF109	4P	386	435	3.81	7.2	1.80			42	4026	35.26	21	1.00	50	3367	29.49	20	1.20	435	386	3.38	7.0	2.00	479	351	3.07	6.9	2.20	557	301	2.64	6.7	2.60	639	263	2.30			6.4	3.00	754	223	1.95			6.2	3.20	860			195	1.71	6.0			3.40	1021	164	1.44	5.7			3.70	404	416			3.64	5.8	1.35			445	377	3.30	5.7	1.50	GRX109 GRXF109	4P	503	333	2.92	5.5	1.70			503	333	2.92	5.5	1.70	557	301	2.64	5.4	1.85	656	256	2.24	5.2	2.20	750	224	1.96	5.1	2.40	896	187	1.64	4.9	2.60	1035	162	1.42	4.7	2.70	533	315			2.76	2.9	1.20	593	283			2.48			3.2			1.35	GRX99 GRXF99	4P	684	245	2.15	3.4	1.50			684	245	2.15	3.4	1.50	762	220	1.93	3.6	1.55	919	183	1.60	3.6	1.65	1058	159	1.39	3.5	1.75	593	283	2.48	3.2	1.35	684	245	2.15	3.4	1.50	GRX89 GRXF89	4P	762	220	1.93					3.6	1.55	919	183			1.60	3.6	1.65	1058	159	1.39	3.5	1.75	1058	159	1.39	3.5	1.75																																																																																																																																																																																																																																																																																																														
25	6756	59.17	52	1.10			29	5807	50.86	54	1.30	33	5068	44.39	55	1.50			39	4299	37.65	56	1.75			45	3758	32.91	57	2.00			53	3178	27.83	57	2.30			50	3376	29.57	57	2.20			61	2754	24.12	57	2.80			432	388	3.40	5.9	3.40	GRX139 GRXF139	4P	490	343	3.00	6.5	4.00			67	2512	22.00	58	3.00			77	2174	19.04	58	3.50	88	1918	16.80	58	4.00	568	296	2.59	6.9	4.25	642	261	2.29	5.9	4.35	762	220	1.93	6.0			4.90	350	480	4.20	7.3			1.65	36	4609			40.37	19	0.90	GR109 GRF109	4P	386	435	3.81	7.2	1.80			42	4026	35.26	21	1.00			50	3367	29.49	20	1.20	435	386	3.38	7.0	2.00	479	351	3.07	6.9	2.20	557	301	2.64	6.7	2.60	639	263	2.30	6.4	3.00	754	223	1.95			6.2	3.20	860	195	1.71			6.0	3.40	1021			164	1.44	5.7			3.70	404	416	3.64	5.8			1.35	445	377			3.30	5.7	1.50	GRX109 GRXF109	4P	503	333	2.92	5.5	1.70			503	333	2.92	5.5	1.70			557	301	2.64	5.4	1.85	656	256	2.24	5.2	2.20	750	224	1.96	5.1	2.40	896	187	1.64	4.9	2.60	1035	162	1.42	4.7	2.70	533	315	2.76	2.9	1.20	593	283			2.48	3.2	1.35	GRX99 GRXF99	4P			684			245	2.15	3.4	1.50			684	245	2.15	3.4	1.50			762	220	1.93	3.6	1.55	919	183	1.60	3.6	1.65	1058	159	1.39	3.5	1.75	593	283	2.48	3.2	1.35	684	245	2.15	3.4	1.50	GRX89 GRXF89	4P	762	220	1.93			3.6	1.55	919					183	1.60	3.6	1.65	1058	159	1.39	3.5	1.75	1058	159	1.39	3.5	1.75																																																																																																																																																																																																																																																																																																																			
29	5807	50.86	54	1.30			33	5068	44.39	55	1.50	39	4299	37.65	56	1.75			45	3758	32.91	57	2.00			53	3178	27.83	57	2.30			50	3376	29.57	57	2.20			61	2754	24.12	57	2.80			432	388	3.40	5.9	3.40	GRX139 GRXF139	4P	490	343	3.00	6.5	4.00			67	2512	22.00	58	3.00			77	2174	19.04	58	3.50			88	1918	16.80	58	4.00	568	296	2.59	6.9	4.25	642	261	2.29	5.9	4.35	762	220	1.93	6.0	4.90	350	480	4.20	7.3			1.65	36	4609	40.37	19			0.90	GR109 GRF109	4P	386	435	3.81	7.2	1.80			42	4026	35.26	21	1.00			50	3367	29.49	20	1.20			435	386	3.38	7.0	2.00	479	351	3.07	6.9	2.20	557	301	2.64	6.7	2.60	639	263	2.30	6.4	3.00	754	223	1.95	6.2	3.20	860	195	1.71			6.0	3.40	1021	164	1.44			5.7	3.70	404			416	3.64	5.8			1.35	445	377	3.30	5.7			1.50	GRX109 GRXF109	4P	503	333	2.92	5.5	1.70			503	333	2.92	5.5	1.70			557	301	2.64	5.4	1.85			656	256	2.24	5.2	2.20	750	224	1.96	5.1	2.40	896	187	1.64	4.9	2.60	1035	162	1.42	4.7	2.70	533	315	2.76	2.9	1.20	593	283	2.48	3.2	1.35	GRX99 GRXF99	4P			684	245	2.15					3.4	1.50	684	245	2.15	3.4	1.50			762	220	1.93	3.6	1.55			919	183	1.60	3.6	1.65	1058	159	1.39	3.5	1.75	593	283	2.48	3.2	1.35	684	245	2.15	3.4	1.50	GRX89 GRXF89	4P	762	220	1.93			3.6	1.55	919			183	1.60	3.6		1.65	1058		159	1.39	3.5	1.75	1058	159	1.39	3.5	1.75																																																																																																																																																																																																																																																																																																																								
33	5068	44.39	55	1.50			39	4299	37.65	56	1.75	45	3758	32.91	57	2.00			53	3178	27.83	57	2.30			50	3376	29.57	57	2.20			61	2754	24.12	57	2.80			432	388	3.40	5.9	3.40	GRX139 GRXF139	4P	490	343	3.00	6.5	4.00			67	2512	22.00	58	3.00			77	2174	19.04	58	3.50			88	1918	16.80	58	4.00			568	296	2.59	6.9	4.25	642	261	2.29	5.9	4.35	762	220	1.93	6.0	4.90	350	480	4.20	7.3	1.65	36	4609	40.37	19			0.90	GR109 GRF109	4P	386	435	3.81	7.2	1.80			42	4026	35.26	21	1.00			50	3367	29.49	20	1.20			435	386	3.38	7.0	2.00			479	351	3.07	6.9	2.20	557	301	2.64	6.7	2.60	639	263	2.30	6.4	3.00	754	223	1.95	6.2	3.20	860	195	1.71	6.0	3.40	1021	164	1.44			5.7	3.70	404	416	3.64			5.8	1.35	445			377	3.30	5.7			1.50	GRX109 GRXF109	4P	503	333	2.92	5.5	1.70			503	333	2.92	5.5	1.70			557	301	2.64	5.4	1.85			656	256	2.24	5.2	2.20			750	224	1.96	5.1	2.40	896	187	1.64	4.9	2.60	1035	162	1.42	4.7	2.70	533	315	2.76	2.9	1.20	593	283	2.48	3.2	1.35	GRX99 GRXF99	4P	684	245	2.15					3.4	1.50	684			245	2.15	3.4	1.50	762	220	1.93	3.6	1.55			919	183	1.60	3.6	1.65			1058	159	1.39	3.5	1.75	593	283	2.48	3.2	1.35	684	245	2.15	3.4	1.50	GRX89 GRXF89	4P	762	220	1.93			3.6	1.55	919			183	1.60	3.6			1.65	1058	159	1.39	3.5	1.75	1058	159	1.39	3.5	1.75																																																																																																																																																																																																																																																																																																																													
39	4299	37.65	56	1.75			45	3758	32.91	57	2.00	53	3178	27.83	57	2.30			50	3376	29.57	57	2.20			61	2754	24.12	57	2.80			432	388	3.40	5.9	3.40	GRX139 GRXF139	4P	490	343	3.00	6.5	4.00			67	2512	22.00	58	3.00			77	2174	19.04	58	3.50			88	1918	16.80	58	4.00			568	296	2.59	6.9	4.25			642	261	2.29	5.9	4.35	762	220	1.93	6.0	4.90	350	480	4.20	7.3	1.65	36	4609	40.37	19	0.90	GR109 GRF109	4P	386	435	3.81	7.2	1.80			42	4026	35.26	21	1.00			50	3367	29.49	20	1.20			435	386	3.38	7.0	2.00			479	351	3.07	6.9	2.20			557	301	2.64	6.7	2.60	639	263	2.30	6.4	3.00	754	223	1.95	6.2	3.20	860	195	1.71	6.0	3.40	1021	164	1.44	5.7	3.70	404	416	3.64			5.8	1.35	445	377	3.30			5.7	1.50	GRX109 GRXF109			4P	503	333	2.92	5.5	1.70			503	333	2.92	5.5	1.70			557	301	2.64	5.4	1.85			656	256	2.24	5.2	2.20			750	224	1.96	5.1	2.40			896	187	1.64	4.9	2.60	1035	162	1.42	4.7	2.70	533	315	2.76	2.9	1.20	593	283	2.48	3.2	1.35	GRX99 GRXF99	4P	684	245	2.15			3.4	1.50	684			245	2.15	3.4	1.50	762			220	1.93	3.6	1.55	919	183	1.60	3.6	1.65			1058	159	1.39	3.5	1.75			593	283	2.48	3.2	1.35	684	245	2.15	3.4	1.50	GRX89 GRXF89	4P	762	220	1.93			3.6	1.55	919			183	1.60	3.6			1.65	1058	159	1.39	3.5	1.75	1058	159	1.39	3.5	1.75																																																																																																																																																																																																																																																																																																																																		
45	3758	32.91	57	2.00			53	3178	27.83	57	2.30	50	3376	29.57	57	2.20			61	2754	24.12	57	2.80			432	388	3.40	5.9	3.40	GRX139 GRXF139	4P	490	343	3.00	6.5	4.00			67	2512	22.00	58	3.00			77	2174	19.04	58	3.50			88	1918	16.80	58	4.00			568	296	2.59	6.9	4.25			642	261	2.29	5.9	4.35			762	220	1.93	6.0	4.90	350	480	4.20	7.3	1.65	36	4609	40.37	19	0.90	GR109 GRF109	4P	386	435	3.81			7.2	1.80	42	4026	35.26			21	1.00	50	3367	29.49			20	1.20	435	386	3.38			7.0	2.00	479	351	3.07			6.9	2.20	557	301	2.64			6.7	2.60	639	263	2.30	6.4	3.00	754	223	1.95	6.2	3.20	860	195	1.71	6.0	3.40	1021	164	1.44	5.7	3.70	404	416	3.64	5.8	1.35	445			377	3.30	5.7	1.50	GRX109 GRXF109			4P	503		333	2.92		5.5	1.70	503	333	2.92			5.5	1.70	557	301	2.64			5.4	1.85	656	256	2.24			5.2	2.20	750	224	1.96			5.1	2.40	896	187	1.64			4.9	2.60	1035	162	1.42	4.7	2.70	533	315	2.76	2.9	1.20	593	283	2.48	3.2	1.35	GRX99 GRXF99	4P	684			245	2.15	3.4			1.50	684	245			2.15	3.4	1.50	762	220			1.93	3.6	1.55	919	183	1.60	3.6	1.65	1058			159	1.39	3.5	1.75	593	283	2.48	3.2	1.35	684	245	2.15	3.4	1.50	GRX89 GRXF89	4P	762			220	1.93	3.6			1.55	919	183			1.60	3.6	1.65	1058	159	1.39	3.5	1.75	1058	159	1.39	3.5	1.75																																																																																																																																																																																																																																																																																																																																					
53	3178	27.83	57	2.30			50	3376	29.57	57	2.20	61	2754	24.12	57	2.80			432	388	3.40	5.9	3.40	GRX139 GRXF139	4P	490	343	3.00	6.5	4.00			67	2512	22.00	58	3.00			77	2174	19.04	58	3.50			88	1918	16.80	58	4.00			568	296	2.59	6.9	4.25			642	261	2.29	5.9	4.35			762	220	1.93	6.0	4.90			350	480	4.20	7.3	1.65	36	4609	40.37	19	0.90	GR109 GRF109	4P	386	435	3.81			7.2	1.80	42			4026	35.26	21	1.00	50			3367	29.49	20	1.20	435			386	3.38	7.0	2.00	479			351	3.07	6.9	2.20	557			301	2.64	6.7	2.60	639			263	2.30	6.4	3.00	754	223	1.95	6.2	3.20	860	195	1.71	6.0	3.40	1021	164	1.44	5.7	3.70	404	416	3.64	5.8	1.35	445	377	3.30	5.7			1.50	GRX109 GRXF109	4P	503		333	2.92		5.5		1.70	503		333	2.92	5.5	1.70	557			301	2.64	5.4	1.85	656			256	2.24	5.2	2.20	750			224	1.96	5.1	2.40	896			187	1.64	4.9	2.60	1035			162	1.42	4.7	2.70	533	315	2.76	2.9	1.20	593	283	2.48	3.2	1.35	GRX99 GRXF99	4P	684			245			2.15	3.4	1.50			684	245	2.15			3.4	1.50	762	220	1.93			3.6	1.55	919	183	1.60	3.6	1.65	1058	159	1.39	3.5	1.75	593	283	2.48	3.2	1.35	684	245	2.15	3.4	1.50	GRX89 GRXF89	4P	762			220			1.93	3.6	1.55			919	183	1.60	3.6	1.65	1058	159	1.39	3.5	1.75	1058	159	1.39	3.5	1.75																																																																																																																																																																																																																																																																																																																																								
50	3376	29.57	57	2.20			61	2754	24.12	57	2.80	432	388	3.40	5.9	3.40	GRX139 GRXF139	4P	490	343	3.00	6.5	4.00			67	2512	22.00	58	3.00			77	2174	19.04	58	3.50			88	1918	16.80	58	4.00			568	296	2.59	6.9	4.25			642	261	2.29	5.9	4.35			762	220	1.93	6.0	4.90			350	480	4.20	7.3	1.65	36	4609	40.37	19	0.90	GR109 GRF109	4P	386	435	3.81	7.2	1.80			42	4026	35.26			21	1.00	50			3367	29.49	20	1.20	435			386	3.38	7.0	2.00	479			351	3.07	6.9	2.20	557			301	2.64	6.7	2.60	639			263	2.30	6.4	3.00	754			223	1.95	6.2	3.20	860	195	1.71	6.0	3.40	1021	164	1.44	5.7	3.70	404	416	3.64	5.8	1.35	445	377	3.30	5.7	1.50	GRX109 GRXF109	4P	503	333	2.92	5.5	1.70			503		333	2.92		5.5		1.70	557		301	2.64	5.4	1.85	656			256	2.24	5.2	2.20	750			224	1.96	5.1	2.40	896			187	1.64	4.9	2.60	1035			162	1.42	4.7	2.70	533	315	2.76	2.9	1.20	593	283	2.48	3.2	1.35	GRX99 GRXF99	4P	684	245	2.15	3.4	1.50			684			245			2.15	3.4	1.50			762	220	1.93			3.6	1.55	919	183	1.60	3.6	1.65	1058	159	1.39	3.5	1.75	593	283	2.48	3.2	1.35	684	245	2.15	3.4	1.50	GRX89 GRXF89	4P	762	220	1.93	3.6	1.55			919			183			1.60	3.6	1.65	1058	159	1.39	3.5	1.75	1058	159	1.39	3.5	1.75																																																																																																																																																																																																																																																																																																																																															
61	2754	24.12	57	2.80																																																																																																																																																																																																																																																																																																																																																																																																																																																																																																																																																																																																																																														
432	388	3.40	5.9	3.40	GRX139 GRXF139	4P	490	343	3.00	6.5	4.00																																																																																																																																																																																																																																																																																																																																																																																																																																																																																																																																																																																																																																							
67	2512	22.00	58	3.00			77	2174	19.04	58	3.50	88	1918	16.80	58	4.00			568	296	2.59	6.9	4.25			642	261	2.29	5.9	4.35			762	220	1.93	6.0	4.90			350	480	4.20	7.3	1.65			36	4609	40.37	19	0.90	GR109 GRF109	4P	386	435	3.81	7.2	1.80	42	4026	35.26	21	1.00	50	3367	29.49	20	1.20	435	386	3.38	7.0	2.00	479	351	3.07	6.9			2.20	557	301	2.64	6.7			2.60	639	263			2.30	6.4	3.00			754	223	1.95	6.2	3.20			860	195	1.71	6.0	3.40			1021	164	1.44	5.7	3.70			404	416	3.64	5.8	1.35			445	377	3.30	5.7	1.50	GRX109 GRXF109	4P	503	333	2.92	5.5	1.70	503	333	2.92	5.5	1.70	557	301	2.64	5.4	1.85	656	256	2.24	5.2	2.20	750	224	1.96	5.1			2.40	896	187	1.64	4.9			2.60		1035	162		1.42		4.7	2.70		533	315	2.76	2.9	1.20			593	283	2.48	3.2	1.35	GRX99 GRXF99	4P	684	245	2.15	3.4	1.50	684	245	2.15	3.4	1.50	762	220	1.93	3.6	1.55	919	183	1.60	3.6	1.65	1058	159	1.39	3.5	1.75	593	283	2.48			3.2	1.35	684	245	2.15			3.4			1.50	GRX89 GRXF89	4P	762	220	1.93	3.6	1.55	919	183	1.60	3.6	1.65	1058	159	1.39	3.5	1.75	1058	159	1.39	3.5	1.75																																																																																																																																																																																																																																																																																																																																																																																							
77	2174	19.04	58	3.50			88	1918	16.80	58	4.00	568	296	2.59	6.9	4.25			642	261	2.29	5.9	4.35			762	220	1.93	6.0	4.90			350	480	4.20	7.3	1.65			36	4609	40.37	19	0.90	GR109 GRF109	4P	386	435	3.81	7.2	1.80			42	4026	35.26	21	1.00	50	3367	29.49	20	1.20	435	386	3.38	7.0	2.00	479	351	3.07	6.9	2.20	557	301	2.64	6.7			2.60	639	263	2.30	6.4			3.00	754	223			1.95	6.2	3.20			860	195	1.71	6.0	3.40			1021	164	1.44	5.7	3.70			404	416	3.64	5.8	1.35			445	377	3.30	5.7	1.50	GRX109 GRXF109	4P	503	333	2.92	5.5	1.70			503	333	2.92	5.5	1.70	557	301	2.64	5.4	1.85	656	256	2.24	5.2	2.20	750	224	1.96	5.1	2.40	896	187	1.64	4.9			2.60	1035	162	1.42	4.7			2.70		533	315		2.76		2.9	1.20		593	283	2.48	3.2	1.35	GRX99 GRXF99	4P	684	245	2.15	3.4	1.50			684	245	2.15	3.4	1.50	762	220	1.93	3.6	1.55	919	183	1.60	3.6	1.65	1058	159	1.39	3.5	1.75	593	283	2.48	3.2	1.35	684	245	2.15			3.4	1.50	GRX89 GRXF89	4P	762			220	1.93	3.6	1.55			919	183	1.60	3.6	1.65	1058	159	1.39	3.5	1.75	1058	159	1.39	3.5	1.75																																																																																																																																																																																																																																																																																																																																																																																												
88	1918	16.80	58	4.00			568	296	2.59	6.9	4.25	642	261	2.29	5.9	4.35			762	220	1.93	6.0	4.90			350	480	4.20	7.3	1.65			36	4609	40.37	19	0.90	GR109 GRF109	4P	386	435	3.81	7.2	1.80			42	4026	35.26	21	1.00			50	3367	29.49	20	1.20	435	386	3.38	7.0	2.00	479	351	3.07	6.9	2.20	557	301	2.64	6.7	2.60	639	263	2.30	6.4			3.00	754	223	1.95	6.2			3.20	860	195			1.71	6.0	3.40			1021	164	1.44	5.7	3.70			404	416	3.64	5.8	1.35			445	377	3.30	5.7	1.50	GRX109 GRXF109	4P	503	333	2.92	5.5	1.70			503	333	2.92	5.5	1.70			557	301	2.64	5.4	1.85	656	256	2.24	5.2	2.20	750	224	1.96	5.1	2.40	896	187	1.64	4.9	2.60	1035	162	1.42	4.7			2.70	533	315	2.76	2.9			1.20		593	283		2.48	3.2	1.35	GRX99 GRXF99	4P	684	245	2.15	3.4	1.50			684	245	2.15	3.4	1.50			762	220	1.93	3.6	1.55	919	183	1.60	3.6	1.65	1058	159	1.39	3.5	1.75	593	283	2.48	3.2	1.35	684	245	2.15	3.4	1.50	GRX89 GRXF89	4P	762			220	1.93			3.6	1.55	919	183	1.60	3.6	1.65			1058	159	1.39	3.5	1.75	1058	159	1.39	3.5	1.75																																																																																																																																																																																																																																																																																																																																																																																																	
568	296	2.59	6.9	4.25			642	261	2.29	5.9	4.35	762	220	1.93	6.0	4.90			350	480	4.20	7.3	1.65			36	4609	40.37	19	0.90	GR109 GRF109	4P	386	435	3.81	7.2	1.80			42	4026	35.26	21	1.00			50	3367	29.49	20	1.20			435	386	3.38	7.0	2.00	479	351	3.07	6.9	2.20	557	301	2.64	6.7	2.60	639	263	2.30	6.4	3.00	754	223	1.95	6.2			3.20	860	195	1.71	6.0			3.40	1021	164			1.44	5.7	3.70			404	416	3.64	5.8	1.35			445	377	3.30	5.7	1.50	GRX109 GRXF109	4P	503	333	2.92	5.5	1.70			503	333	2.92	5.5	1.70			557	301	2.64	5.4	1.85			656	256	2.24	5.2	2.20	750	224	1.96	5.1	2.40	896	187	1.64	4.9	2.60	1035	162	1.42	4.7	2.70	533	315	2.76	2.9			1.20	593	283	2.48	3.2			1.35	GRX99 GRXF99	4P	684	245	2.15	3.4	1.50			684	245	2.15	3.4	1.50			762	220	1.93	3.6	1.55			919	183	1.60	3.6	1.65	1058	159	1.39	3.5	1.75	593	283	2.48	3.2	1.35	684	245	2.15	3.4	1.50	GRX89 GRXF89	4P	762	220	1.93			3.6	1.55	919	183	1.60			3.6	1.65	1058	159	1.39	3.5	1.75			1058	159	1.39	3.5	1.75																																																																																																																																																																																																																																																																																																																																																																																																						
642	261	2.29	5.9	4.35			762	220	1.93	6.0	4.90	350	480	4.20	7.3	1.65			36	4609	40.37	19	0.90	GR109 GRF109	4P	386	435	3.81	7.2	1.80			42	4026	35.26	21	1.00			50	3367	29.49	20	1.20			435	386	3.38	7.0	2.00			479	351	3.07	6.9	2.20	557	301	2.64	6.7	2.60	639	263	2.30	6.4	3.00	754	223	1.95	6.2	3.20	860	195	1.71	6.0			3.40	1021	164	1.44	5.7			3.70	404	416			3.64	5.8	1.35			445	377	3.30	5.7	1.50	GRX109 GRXF109	4P	503	333	2.92	5.5	1.70			503	333	2.92	5.5	1.70			557	301	2.64	5.4	1.85			656	256	2.24	5.2	2.20			750	224	1.96	5.1	2.40	896	187	1.64	4.9	2.60	1035	162	1.42	4.7	2.70	533	315	2.76	2.9	1.20	593	283	2.48	3.2			1.35	GRX99 GRXF99	4P	684	245	2.15	3.4	1.50			684	245	2.15	3.4	1.50			762	220	1.93	3.6	1.55			919	183	1.60	3.6	1.65			1058	159	1.39	3.5	1.75	593	283	2.48	3.2	1.35	684	245	2.15	3.4	1.50	GRX89 GRXF89	4P	762	220	1.93			3.6	1.55	919			183	1.60	3.6	1.65	1058			159	1.39	3.5	1.75	1058	159	1.39	3.5	1.75																																																																																																																																																																																																																																																																																																																																																																																																											
762	220	1.93	6.0	4.90			350	480	4.20	7.3	1.65	36	4609	40.37	19	0.90	GR109 GRF109	4P	386	435	3.81	7.2	1.80			42	4026	35.26	21	1.00			50	3367	29.49	20	1.20			435	386	3.38	7.0	2.00			479	351	3.07	6.9	2.20			557	301	2.64	6.7	2.60	639	263	2.30	6.4	3.00	754	223	1.95	6.2	3.20	860	195	1.71	6.0	3.40	1021	164	1.44	5.7			3.70	404	416	3.64	5.8			1.35	445	377			3.30	5.7	1.50	GRX109 GRXF109	4P	503	333	2.92	5.5	1.70			503	333	2.92	5.5	1.70			557	301	2.64	5.4	1.85			656	256	2.24	5.2	2.20			750	224	1.96	5.1	2.40			896	187	1.64	4.9	2.60	1035	162	1.42	4.7	2.70	533	315	2.76	2.9	1.20	593	283	2.48	3.2	1.35	GRX99 GRXF99	4P	684	245	2.15	3.4	1.50			684	245	2.15	3.4	1.50			762	220	1.93	3.6	1.55			919	183	1.60	3.6	1.65			1058	159	1.39	3.5	1.75			593	283	2.48	3.2	1.35	684	245	2.15	3.4	1.50	GRX89 GRXF89	4P	762	220	1.93			3.6	1.55	919			183	1.60	3.6			1.65	1058	159	1.39	3.5	1.75	1058	159	1.39	3.5	1.75																																																																																																																																																																																																																																																																																																																																																																																																																
350	480	4.20	7.3	1.65																																																																																																																																																																																																																																																																																																																																																																																																																																																																																																																																																																																																																																														
36	4609	40.37	19	0.90	GR109 GRF109	4P	386	435	3.81	7.2	1.80																																																																																																																																																																																																																																																																																																																																																																																																																																																																																																																																																																																																																																							
42	4026	35.26	21	1.00			50	3367	29.49	20	1.20	435	386	3.38	7.0	2.00			479	351	3.07	6.9	2.20			557	301	2.64	6.7	2.60			639	263	2.30	6.4	3.00			754	223	1.95	6.2	3.20			860	195	1.71	6.0	3.40			1021	164	1.44	5.7	3.70	404	416	3.64	5.8	1.35	445	377	3.30	5.7	1.50	GRX109 GRXF109	4P	503	333	2.92	5.5	1.70	503	333	2.92	5.5	1.70	557	301	2.64	5.4	1.85	656	256	2.24	5.2	2.20	750	224	1.96	5.1			2.40	896	187	1.64	4.9			2.60	1035	162	1.42	4.7			2.70	533	315	2.76	2.9			1.20	593	283	2.48	3.2			1.35	GRX99 GRXF99	4P	684	245	2.15	3.4	1.50	684	245	2.15	3.4	1.50	762	220	1.93	3.6	1.55	919	183	1.60	3.6	1.65	1058	159	1.39	3.5			1.75	593	283	2.48	3.2			1.35	684	245	2.15	3.4			1.50	GRX89 GRXF89	4P	762	220	1.93	3.6	1.55	919	183	1.60	3.6	1.65	1058	159	1.39	3.5	1.75	1058	159	1.39	3.5	1.75																																																																																																																																																																																																																																																																																																																																																																																																																																																				
50	3367	29.49	20	1.20			435	386	3.38	7.0	2.00	479	351	3.07	6.9	2.20			557	301	2.64	6.7	2.60			639	263	2.30	6.4	3.00			754	223	1.95	6.2	3.20			860	195	1.71	6.0	3.40			1021	164	1.44	5.7	3.70			404	416	3.64	5.8	1.35	445	377	3.30	5.7	1.50	GRX109 GRXF109	4P	503	333	2.92			5.5	1.70	503	333	2.92	5.5	1.70	557	301	2.64	5.4	1.85	656	256	2.24	5.2	2.20	750	224	1.96	5.1	2.40	896	187			1.64	4.9	2.60	1035	162			1.42	4.7	2.70	533	315			2.76	2.9	1.20	593	283			2.48	3.2	1.35	GRX99 GRXF99	4P	684	245	2.15			3.4	1.50	684	245	2.15	3.4	1.50	762	220	1.93	3.6	1.55	919	183	1.60	3.6	1.65	1058	159	1.39	3.5	1.75	593	283			2.48	3.2	1.35	684	245			2.15	3.4	1.50	GRX89 GRXF89	4P	762	220	1.93			3.6	1.55	919	183	1.60	3.6	1.65	1058	159	1.39	3.5	1.75	1058	159	1.39	3.5	1.75																																																																																																																																																																																																																																																																																																																																																																																																																																																							
435	386	3.38	7.0	2.00			479	351	3.07	6.9	2.20	557	301	2.64	6.7	2.60			639	263	2.30	6.4	3.00			754	223	1.95	6.2	3.20			860	195	1.71	6.0	3.40			1021	164	1.44	5.7	3.70			404	416	3.64	5.8	1.35			445	377	3.30	5.7	1.50	GRX109 GRXF109	4P	503	333	2.92			5.5	1.70	503			333	2.92	5.5	1.70	557	301	2.64	5.4	1.85	656	256	2.24	5.2	2.20	750	224	1.96	5.1	2.40	896	187	1.64	4.9	2.60			1035	162	1.42	4.7	2.70			533	315	2.76	2.9	1.20			593	283	2.48	3.2	1.35	GRX99 GRXF99	4P	684	245	2.15			3.4	1.50	684			245	2.15	3.4	1.50	762	220	1.93	3.6	1.55	919	183	1.60	3.6	1.65	1058	159	1.39	3.5	1.75	593	283	2.48	3.2	1.35			684	245	2.15	3.4	1.50	GRX89 GRXF89	4P	762	220	1.93			3.6	1.55	919			183	1.60	3.6	1.65	1058	159	1.39	3.5	1.75	1058	159	1.39	3.5	1.75																																																																																																																																																																																																																																																																																																																																																																																																																																																										
479	351	3.07	6.9	2.20			557	301	2.64	6.7	2.60	639	263	2.30	6.4	3.00			754	223	1.95	6.2	3.20			860	195	1.71	6.0	3.40			1021	164	1.44	5.7	3.70			404	416	3.64	5.8	1.35			445	377	3.30	5.7	1.50	GRX109 GRXF109	4P	503	333	2.92	5.5	1.70			503	333	2.92			5.5	1.70	557			301	2.64	5.4	1.85	656	256	2.24	5.2	2.20	750	224	1.96	5.1	2.40	896	187	1.64	4.9	2.60	1035	162	1.42	4.7	2.70			533	315	2.76	2.9	1.20			593	283	2.48	3.2	1.35	GRX99 GRXF99	4P	684	245	2.15	3.4	1.50			684	245	2.15			3.4	1.50	762			220	1.93	3.6	1.55	919	183	1.60	3.6	1.65	1058	159	1.39	3.5	1.75	593	283	2.48	3.2	1.35	684	245	2.15	3.4	1.50	GRX89 GRXF89	4P	762	220	1.93	3.6	1.55			919	183	1.60			3.6	1.65	1058			159	1.39	3.5	1.75	1058	159	1.39	3.5	1.75																																																																																																																																																																																																																																																																																																																																																																																																																																																															
557	301	2.64	6.7	2.60			639	263	2.30	6.4	3.00	754	223	1.95	6.2	3.20			860	195	1.71	6.0	3.40			1021	164	1.44	5.7	3.70			404	416	3.64	5.8	1.35			445	377	3.30	5.7	1.50	GRX109 GRXF109	4P	503	333	2.92	5.5	1.70			503	333	2.92	5.5	1.70			557	301	2.64			5.4	1.85	656			256	2.24	5.2	2.20	750	224	1.96	5.1	2.40	896	187	1.64	4.9	2.60	1035	162	1.42	4.7	2.70	533	315	2.76	2.9	1.20			593	283	2.48	3.2	1.35	GRX99 GRXF99	4P	684	245	2.15	3.4	1.50			684	245	2.15	3.4	1.50			762	220	1.93			3.6	1.55	919			183	1.60	3.6	1.65	1058	159	1.39	3.5	1.75	593	283	2.48	3.2	1.35	684	245	2.15	3.4	1.50	GRX89 GRXF89	4P	762	220	1.93			3.6	1.55	919	183	1.60			3.6	1.65	1058			159	1.39	3.5	1.75	1058	159	1.39	3.5	1.75																																																																																																																																																																																																																																																																																																																																																																																																																																																																				
639	263	2.30	6.4	3.00			754	223	1.95	6.2	3.20	860	195	1.71	6.0	3.40			1021	164	1.44	5.7	3.70			404	416	3.64	5.8	1.35			445	377	3.30	5.7	1.50	GRX109 GRXF109	4P	503	333	2.92	5.5	1.70			503	333	2.92	5.5	1.70			557	301	2.64	5.4	1.85			656	256	2.24			5.2	2.20	750			224	1.96	5.1	2.40	896	187	1.64	4.9	2.60	1035	162	1.42	4.7	2.70	533	315	2.76	2.9	1.20	593	283	2.48	3.2	1.35	GRX99 GRXF99	4P	684	245	2.15	3.4	1.50			684	245	2.15	3.4	1.50			762	220	1.93	3.6	1.55			919	183	1.60			3.6	1.65	1058			159	1.39	3.5	1.75	593	283	2.48	3.2	1.35	684	245	2.15	3.4	1.50	GRX89 GRXF89	4P	762	220	1.93			3.6	1.55	919			183	1.60	3.6	1.65	1058			159	1.39	3.5	1.75	1058	159	1.39	3.5	1.75																																																																																																																																																																																																																																																																																																																																																																																																																																																																									
754	223	1.95	6.2	3.20			860	195	1.71	6.0	3.40	1021	164	1.44	5.7	3.70			404	416	3.64	5.8	1.35			445	377	3.30	5.7	1.50	GRX109 GRXF109	4P	503	333	2.92	5.5	1.70			503	333	2.92	5.5	1.70			557	301	2.64	5.4	1.85			656	256	2.24	5.2	2.20			750	224	1.96			5.1	2.40	896			187	1.64	4.9	2.60	1035	162	1.42	4.7	2.70	533	315	2.76	2.9	1.20	593	283	2.48	3.2	1.35	GRX99 GRXF99	4P	684	245	2.15			3.4	1.50	684	245	2.15			3.4	1.50	762	220	1.93			3.6	1.55	919	183	1.60			3.6	1.65	1058			159	1.39	3.5	1.75	593	283	2.48	3.2	1.35	684	245	2.15	3.4	1.50	GRX89 GRXF89	4P	762	220	1.93			3.6	1.55	919			183	1.60	3.6			1.65	1058	159	1.39	3.5	1.75	1058	159	1.39	3.5	1.75																																																																																																																																																																																																																																																																																																																																																																																																																																																																														
860	195	1.71	6.0	3.40			1021	164	1.44	5.7	3.70	404	416	3.64	5.8	1.35			445	377	3.30	5.7	1.50	GRX109 GRXF109	4P	503	333	2.92	5.5	1.70			503	333	2.92	5.5	1.70			557	301	2.64	5.4	1.85			656	256	2.24	5.2	2.20			750	224	1.96	5.1	2.40			896	187	1.64			4.9	2.60	1035			162	1.42	4.7	2.70	533	315	2.76	2.9	1.20	593	283	2.48	3.2	1.35	GRX99 GRXF99	4P	684	245	2.15			3.4	1.50	684			245	2.15	3.4	1.50	762			220	1.93	3.6	1.55	919			183	1.60	3.6	1.65	1058			159	1.39	3.5	1.75	593	283	2.48	3.2	1.35	684	245	2.15	3.4	1.50	GRX89 GRXF89	4P	762	220	1.93			3.6	1.55	919			183	1.60	3.6			1.65	1058	159	1.39	3.5	1.75	1058	159	1.39	3.5	1.75																																																																																																																																																																																																																																																																																																																																																																																																																																																																																			
1021	164	1.44	5.7	3.70			404	416	3.64	5.8	1.35	445	377	3.30	5.7	1.50	GRX109 GRXF109	4P	503	333	2.92	5.5	1.70			503	333	2.92	5.5	1.70			557	301	2.64	5.4	1.85			656	256	2.24	5.2	2.20			750	224	1.96	5.1	2.40			896	187	1.64	4.9	2.60			1035	162	1.42			4.7	2.70	533	315	2.76	2.9	1.20	593	283	2.48	3.2	1.35	GRX99 GRXF99	4P	684	245	2.15	3.4	1.50			684	245	2.15			3.4	1.50	762			220	1.93	3.6	1.55	919			183	1.60	3.6	1.65	1058			159	1.39	3.5	1.75	593	283	2.48	3.2	1.35	684	245	2.15	3.4	1.50	GRX89 GRXF89	4P	762	220	1.93	3.6	1.55			919	183	1.60			3.6	1.65	1058			159	1.39	3.5	1.75	1058	159	1.39	3.5	1.75																																																																																																																																																																																																																																																																																																																																																																																																																																																																																										
404	416	3.64	5.8	1.35																																																																																																																																																																																																																																																																																																																																																																																																																																																																																																																																																																																																																																														
445	377	3.30	5.7	1.50	GRX109 GRXF109	4P	503	333	2.92	5.5	1.70																																																																																																																																																																																																																																																																																																																																																																																																																																																																																																																																																																																																																																							
503	333	2.92	5.5	1.70			557	301	2.64	5.4	1.85	656	256	2.24	5.2	2.20			750	224	1.96	5.1	2.40			896	187	1.64	4.9	2.60			1035	162	1.42	4.7	2.70			533	315	2.76	2.9	1.20			593	283	2.48	3.2	1.35	GRX99 GRXF99	4P	684	245	2.15	3.4	1.50	684	245	2.15	3.4	1.50	762	220	1.93	3.6	1.55	919	183	1.60	3.6	1.65	1058	159	1.39	3.5			1.75	593	283	2.48	3.2			1.35	684	245			2.15	3.4	1.50	GRX89 GRXF89	4P	762	220	1.93	3.6	1.55	919	183	1.60	3.6	1.65	1058	159	1.39	3.5	1.75	1058	159	1.39	3.5	1.75																																																																																																																																																																																																																																																																																																																																																																																																																																																																																																																														
557	301	2.64	5.4	1.85			656	256	2.24	5.2	2.20	750	224	1.96	5.1	2.40			896	187	1.64	4.9	2.60			1035	162	1.42	4.7	2.70			533	315	2.76	2.9	1.20			593	283	2.48	3.2	1.35	GRX99 GRXF99	4P	684	245	2.15	3.4	1.50			684	245	2.15	3.4	1.50	762	220	1.93	3.6	1.55	919	183	1.60	3.6	1.65	1058	159	1.39	3.5	1.75	593	283	2.48	3.2			1.35	684	245	2.15	3.4			1.50	GRX89 GRXF89	4P	762	220	1.93	3.6	1.55			919	183	1.60	3.6	1.65	1058	159	1.39	3.5	1.75	1058	159	1.39	3.5	1.75																																																																																																																																																																																																																																																																																																																																																																																																																																																																																																																																			
656	256	2.24	5.2	2.20			750	224	1.96	5.1	2.40	896	187	1.64	4.9	2.60			1035	162	1.42	4.7	2.70			533	315	2.76	2.9	1.20			593	283	2.48	3.2	1.35	GRX99 GRXF99	4P	684	245	2.15	3.4	1.50			684	245	2.15	3.4	1.50			762	220	1.93	3.6	1.55	919	183	1.60	3.6	1.65	1058	159	1.39	3.5	1.75	593	283	2.48	3.2	1.35	684	245	2.15	3.4			1.50	GRX89 GRXF89	4P	762	220	1.93	3.6	1.55			919	183	1.60	3.6	1.65			1058	159	1.39	3.5	1.75	1058	159	1.39	3.5	1.75																																																																																																																																																																																																																																																																																																																																																																																																																																																																																																																																								
750	224	1.96	5.1	2.40			896	187	1.64	4.9	2.60	1035	162	1.42	4.7	2.70			533	315	2.76	2.9	1.20			593	283	2.48	3.2	1.35	GRX99 GRXF99	4P	684	245	2.15	3.4	1.50			684	245	2.15	3.4	1.50			762	220	1.93	3.6	1.55			919	183	1.60	3.6	1.65	1058	159	1.39	3.5	1.75	593	283	2.48	3.2	1.35	684	245	2.15	3.4	1.50	GRX89 GRXF89	4P	762	220	1.93	3.6	1.55			919	183	1.60	3.6	1.65			1058	159	1.39	3.5	1.75			1058	159	1.39	3.5	1.75																																																																																																																																																																																																																																																																																																																																																																																																																																																																																																																																													
896	187	1.64	4.9	2.60			1035	162	1.42	4.7	2.70	533	315	2.76	2.9	1.20			593	283	2.48	3.2	1.35	GRX99 GRXF99	4P	684	245	2.15	3.4	1.50			684	245	2.15	3.4	1.50			762	220	1.93	3.6	1.55			919	183	1.60	3.6	1.65			1058	159	1.39	3.5	1.75	593	283	2.48	3.2	1.35	684	245	2.15	3.4	1.50	GRX89 GRXF89	4P	762	220	1.93			3.6	1.55	919	183	1.60			3.6	1.65	1058	159	1.39			3.5	1.75	1058	159	1.39	3.5	1.75																																																																																																																																																																																																																																																																																																																																																																																																																																																																																																																																																		
1035	162	1.42	4.7	2.70			533	315	2.76	2.9	1.20	593	283	2.48	3.2	1.35	GRX99 GRXF99	4P	684	245	2.15	3.4	1.50			684	245	2.15	3.4	1.50			762	220	1.93	3.6	1.55			919	183	1.60	3.6	1.65			1058	159	1.39	3.5	1.75			593	283	2.48	3.2	1.35	684	245	2.15	3.4	1.50	GRX89 GRXF89	4P	762	220	1.93			3.6	1.55	919			183	1.60	3.6	1.65	1058			159	1.39	3.5	1.75	1058	159	1.39	3.5	1.75																																																																																																																																																																																																																																																																																																																																																																																																																																																																																																																																																							
533	315	2.76	2.9	1.20																																																																																																																																																																																																																																																																																																																																																																																																																																																																																																																																																																																																																																														
593	283	2.48	3.2	1.35	GRX99 GRXF99	4P	684	245	2.15	3.4	1.50																																																																																																																																																																																																																																																																																																																																																																																																																																																																																																																																																																																																																																							
684	245	2.15	3.4	1.50			762	220	1.93	3.6	1.55	919	183	1.60	3.6	1.65			1058	159	1.39	3.5	1.75			593	283	2.48	3.2	1.35			684	245	2.15	3.4	1.50	GRX89 GRXF89	4P	762	220	1.93	3.6	1.55	919	183	1.60	3.6	1.65	1058	159	1.39	3.5	1.75	1058	159	1.39	3.5	1.75																																																																																																																																																																																																																																																																																																																																																																																																																																																																																																																																																																																							
762	220	1.93	3.6	1.55			919	183	1.60	3.6	1.65	1058	159	1.39	3.5	1.75			593	283	2.48	3.2	1.35			684	245	2.15	3.4	1.50	GRX89 GRXF89	4P	762	220	1.93	3.6	1.55			919	183	1.60	3.6	1.65	1058	159	1.39	3.5	1.75	1058	159	1.39	3.5	1.75																																																																																																																																																																																																																																																																																																																																																																																																																																																																																																																																																																																												
919	183	1.60	3.6	1.65			1058	159	1.39	3.5	1.75	593	283	2.48	3.2	1.35			684	245	2.15	3.4	1.50	GRX89 GRXF89	4P	762	220	1.93	3.6	1.55			919	183	1.60	3.6	1.65			1058	159	1.39	3.5	1.75	1058	159	1.39	3.5	1.75																																																																																																																																																																																																																																																																																																																																																																																																																																																																																																																																																																																																	
1058	159	1.39	3.5	1.75			593	283	2.48	3.2	1.35	684	245	2.15	3.4	1.50	GRX89 GRXF89	4P	762	220	1.93	3.6	1.55			919	183	1.60	3.6	1.65			1058	159	1.39	3.5	1.75			1058	159	1.39	3.5	1.75																																																																																																																																																																																																																																																																																																																																																																																																																																																																																																																																																																																																						
593	283	2.48	3.2	1.35																																																																																																																																																																																																																																																																																																																																																																																																																																																																																																																																																																																																																																														
684	245	2.15	3.4	1.50	GRX89 GRXF89	4P	762	220	1.93	3.6	1.55																																																																																																																																																																																																																																																																																																																																																																																																																																																																																																																																																																																																																																							
919	183	1.60	3.6	1.65			1058	159	1.39	3.5	1.75	1058	159	1.39	3.5	1.75																																																																																																																																																																																																																																																																																																																																																																																																																																																																																																																																																																																																																																		
1058	159	1.39	3.5	1.75			1058	159	1.39	3.5	1.75																																																																																																																																																																																																																																																																																																																																																																																																																																																																																																																																																																																																																																							
1058	159	1.39	3.5	1.75																																																																																																																																																																																																																																																																																																																																																																																																																																																																																																																																																																																																																																														

**选型参数表
(恒功率)**
**Selection Table
(Constant Power)**

n_a [r/min]	M_a [N.m]	i	F_{Ra} [kN]	f_B	机型号 Type size	极数 Pole	n_a [r/min]	M_a [N.m]	i	F_{Ra} [kN]	f_B	机型号 Type size	极数 Pole
22kW							22kW						
4.4	42696	331	128	0.9			94	2125	15.65	18	1.90		
5.0	37794	293	128	1.0	GR179R109	4P	108	1855	13.66	17	2.20	GR109	GRF109
5.5	34311	266	128	1.1	GRF179R109		127	1574	11.59	16	2.60		
6.4	29539	229	128	1.2			145	1375	10.13	16	3.00		
7.4	25798	200	128	1.4			172	1162	8.56	15	3.50		
8.7	21799	169	128	1.7			187	1067	7.86	15	2.60		
5.0	38052	295	128	1.0	GR179R99	4P	221	904	6.66	15	3.10		
					GRF179R99		253	790	5.82	14	3.60		
5.5	36604	177.89	128	0.90	GR179	6P	73	2735	20.14	13	0.90	GR99	GRF99
6.3	31886	154.96	128	1.05	GRF179		81	2477	18.24	13	0.95		
7.1	28252	137.30	128	1.15			91	2196	16.17	13	1.05		
7.6	26352	194.08	128	1.25			101	1985	14.62	13	1.10		
8.3	24154	177.89	128	1.40	GR179	4P	119	1682	12.39	13	1.25		
9.5	21040	154.96	128	1.55	GRF179		136	1470	10.83	12	1.35		
10.7	18642	137.30	128	1.75			158	1261	9.29	12	1.50		
9.6	20784	153.07	114	0.80			175	1139	8.39	12	1.70		
11	19006	139.98	114	0.90			206	967	7.12	12	1.95		
12	16539	121.81	114	1.05			237	843	6.21	11	2.10		
14	14595	107.49	114	1.15			283	706	5.20	11	2.40		
16	12653	93.19	114	1.35			327	611	4.50	10	2.50		
18	11257	82.91	114	1.50	GR169	4P	148	1350	9.94	9.2	0.85	GR89	GRF89
20	10007	73.70	114	1.70	GRF169		161	1242	9.15	10	0.90		
22	9151	67.40	114	1.85			179	1117	8.23	9.5	1.00		
25	7963	58.65	114	2.10			206	969	7.14	9.2	1.05		
28	7028	51.76	114	2.40			230	868	6.39	9.0	1.10		
33	6092	44.87	114	2.80			277	721	5.31	8.7	1.20		
37	5420	39.92	114	3.10			341	585	4.31	10	1.90		
43	4672	34.41	114	3.50			374	534	3.93	5.9	2.40		
13	14842	109.31	39	0.85			432	462	3.40	5.9	2.85	GRX139	GRXF139
16	12845	94.60	58	0.95			490	407	3.00	6.5	3.40		
18	11333	83.47	61	1.10			568	352	2.59	6.9	3.60		
20	9788	72.09	64	1.25			642	311	2.29	5.9	3.65		
22	9096	66.99	65	1.35	GR149	4P	762	262	1.93	6.0	4.10		
24	8295	61.09	66	1.50	GRF149		350	570	4.20	7.0	1.40		
28	7179	52.87	67	1.70			386	517	3.81	6.9	1.50		
32	6334	46.65	68	1.95			435	459	3.38	6.7	1.70		
36	5471	40.29	69	2.20			479	417	3.07	6.6	1.90	GRX109	GRXF109
41	4839	35.64	69	2.50			557	358	2.64	6.4	2.20		
49	4067	29.95	70	3.00			639	312	2.30	6.2	2.50		
23	8853	65.20	45	0.85			754	265	1.95	6.0	2.70		
25	8034	59.17	49	0.95			860	232	1.71	5.8	2.90		
29	6906	50.86	52	1.10	GR139	4P	1021	196	1.44	5.6	3.10		
33	6027	44.39	54	1.25	GRF139		404	494	3.64	5.4	1.15		
39	5112	37.65	55	1.50			445	448	3.30	5.4	1.25	GRX99	GRXF99
45	4468	32.91	56	1.70			503	396	2.92	5.3	1.40		
53	3779	27.83	57	1.90			557	358	2.64	5.2	1.55		
50	4015	29.57	56	1.85			656	304	2.24	5.0	1.85		
61	3275	24.12	57	2.30			750	266	1.96	4.9	2.00		
67	2987	22.00	57	2.50	GR139	4P	896	223	1.64	4.7	2.20		
77	2585	19.04	57	2.90	GRF139		1035	193	1.42	4.6	2.20		
88	2281	16.80	58	3.30			533	385	2.76	1.2	1.00	GRX89	GRXF89
101	1970	14.51	58	3.80			593	346	2.48	1.6	1.15		
115	1742	12.83	58	4.30			684	300	2.15	2.1	1.25		
42	4788	35.26	6.9	0.85	GR109	4P	762	269	1.93	2.3	1.30		
50	4004	29.49	19	1.00	GRF109		919	223	1.60	2.6	1.35		
59	3381	24.90	19	1.20			1058	194	1.39	2.9	1.45		
65	3071	22.62	19	1.35	GR109	4P	30kW						
73	2725	20.07	18	1.50	GRF109		6.4	40280	229	128	0.9		GR179R109
81	2473	18.21	18	1.65			7.4	35179	200	128	1.0		
							8.7	29726	169	128	1.2		

**选型参数表
(恒功率)**
**Selection Table
(Constant Power)**

n_a [r/min]	M_a [N.m]	i	F_{Ra} [kN]	f_B	机型号 Type size	极数 Pole	n_a [r/min]	M_a [N.m]	i	F_{Ra} [kN]	f_B	机型号 Type size	极数 Pole																																																																																																																																																																																																																																																																																																																																																																																																																																																																																																																																																																																																																																																																											
30kW							30kW																																																																																																																																																																																																																																																																																																																																																																																																																																																																																																																																																																																																																																																																																	
8.3	32937	177.89	128	1.00	GR179 GRF179	4P	101	2707	14.62	11	0.80	GR99 GRF99	4P																																																																																																																																																																																																																																																																																																																																																																																																																																																																																																																																																																																																																																																																											
9.5	28691	154.96	128	1.15			10.7	25422	137.30	128	1.30			12.3	22192	119.86	128	1.65	13.7	19841	107.16	128	1.85	16.0	16967	91.64	128	2.05	19.4	14064	75.96	128	2.40	21.9	12409	67.02	128	2.95	25.6	10613	57.32	128	3.30	327	833	4.50	10	1.85															14	19902	107.49	114	0.85	GR169 GRF169	4P	374	760	3.93	5.9	1.80	GRX139 GRXF139	4P	16	17254	93.19	114	1.00	18	15351	82.91	114	1.10	20	13646	73.70	114	1.25	22	12479	67.40	114	1.35	25	10859	58.65	114	1.55	28	9584	51.76	114	1.80	33	8308	44.87	114	2.10	37	7391	39.92	114	2.30	43	6371	34.41	114	2.70	53	5177	27.96	114	3.30	62	4390	23.71	114	3.90															18	15455	83.47	31	0.80	GR149 GRF149	4P	1021	274	1.44	5.2	2.30	GRX109 GRXF109	4P	20	13348	72.09	57	0.95	22	12403	66.99	59	1.00	24	11311	61.09	61	1.10	28	9789	52.87	64	1.25	32	8637	46.65	66	1.45	36	7460	40.29	67	1.65	41	6599	35.64	68	1.85	49	5545	29.95	69	2.20	61	4479	24.19	69	2.50								37kW							72	3785	20.44	70	3.00	GR149 GRF149	4P	7.4	43094	200	128	0.85	GR179R109 GRF179R109	4P	81	3340	18.04	70	3.00	94	2896	15.64	70	4.30	8.3	40348	177.89	128	0.85	29	9417	50.86	34	0.80	GR139 GRF139	4P	9.6	35147	154.96	128	0.95	GR179 GRF179	4P	33	8219	44.39	49	0.90	39	6971	37.65	52	1.10	45	6093	32.91	54	1.25	53	5153	27.83	55	1.40	61	4466	24.12	56	1.70	67	4073	22.00	56	1.85	77	3525	19.04	57	2.20	88	3111	16.80	57	2.40	101	2687	14.51	57	2.80															115	2376	12.83	55	3.20	GR139 GRF139	4P	22.1	15201	67.02	128	2.40	GR169 GRF169	4P	136	1998	10.79	54	3.80	194	1405	7.59	51	3.50	230	1181	6.38	49	4.10	16	21137	93.19	114	0.80	18	18805	82.91	114	0.90	20	16716	73.70	114	1.00	22	15287	67.40	114	1.10	25	13303	58.65	114	1.30	29	11740	51.76	114	1.45															73	3716	20.07	17	1.10	GR109 GRF109	4P	33	10177	44.87	114	1.65	GR169 GRF169	4P	81	3372	18.21	17	1.20	94	2898	15.65	16	1.40	108	2529	13.66	16	1.60	127	2146	11.59	15	1.90	145	1876	10.13	15	2.20	172	1585	8.56	15	2.60	187	1455	7.86	15	1.95	221	1233	6.66	14	2.30	253	1078	5.82	14	2.60															299	911	4.92	13	3.00			48	6965	30.71	114	1.35	GR169 GRF169	4P								60	5573	24.57	114	2.40								68	4956	21.85	114	2.50								78	4316	19.03	114	3.50								87	3851	16.98	114	3.70																																																																																																																																								
10.7	25422	137.30	128	1.30			12.3	22192	119.86	128	1.65			13.7	19841	107.16	128	1.85	16.0	16967	91.64	128	2.05	19.4	14064	75.96	128	2.40	21.9	12409	67.02	128	2.95	25.6	10613	57.32	128	3.30	327	833	4.50	10	1.85															14	19902	107.49	114	0.85	GR169 GRF169	4P	374	760	3.93			5.9	1.80	GRX139 GRXF139	4P	16			17254	93.19	114	1.00	18	15351	82.91	114	1.10	20	13646	73.70	114	1.25	22	12479	67.40	114	1.35	25	10859	58.65	114	1.55	28	9584	51.76	114	1.80	33	8308	44.87	114	2.10	37	7391	39.92	114	2.30	43	6371	34.41	114	2.70	53	5177	27.96	114	3.30	62	4390	23.71	114	3.90															18	15455	83.47	31	0.80	GR149 GRF149			4P	1021	274	1.44	5.2			2.30	GRX109 GRXF109	4P	20	13348	72.09	57	0.95	22	12403	66.99	59	1.00	24	11311	61.09	61	1.10	28	9789	52.87	64	1.25	32	8637	46.65	66	1.45	36	7460	40.29	67	1.65	41	6599	35.64	68	1.85	49	5545	29.95	69	2.20	61	4479	24.19	69	2.50								37kW							72	3785			20.44	70	3.00	GR149 GRF149	4P			7.4	43094	200	128	0.85	GR179R109 GRF179R109	4P	81	3340	18.04	70	3.00	94	2896	15.64	70	4.30	8.3	40348	177.89			128	0.85	29	9417	50.86			34	0.80	GR139 GRF139	4P	9.6	35147	154.96	128	0.95	GR179 GRF179	4P	33	8219	44.39	49	0.90	39	6971	37.65	52	1.10	45	6093	32.91	54	1.25	53	5153	27.83	55	1.40	61	4466	24.12	56	1.70	67	4073	22.00	56	1.85	77	3525	19.04	57	2.20	88	3111	16.80	57	2.40	101	2687	14.51	57	2.80															115			2376	12.83	55	3.20	GR139 GRF139	4P	22.1	15201	67.02	128	2.40	GR169 GRF169	4P	136	1998	10.79	54	3.80	194	1405	7.59	51	3.50	230	1181	6.38	49	4.10	16	21137	93.19	114	0.80	18	18805	82.91	114	0.90	20	16716	73.70	114	1.00	22	15287	67.40	114	1.10	25	13303	58.65	114	1.30	29	11740	51.76	114	1.45																73	3716	20.07	17	1.10	GR109 GRF109	4P	33	10177	44.87	114	1.65	GR169 GRF169	4P	81	3372	18.21	17	1.20	94	2898	15.65	16	1.40	108	2529	13.66	16	1.60	127	2146	11.59	15	1.90	145	1876	10.13	15	2.20	172	1585	8.56	15	2.60	187	1455	7.86	15	1.95	221	1233	6.66	14	2.30	253	1078	5.82	14	2.60															299	911	4.92	13	3.00			48	6965	30.71	114	1.35	GR169 GRF169	4P								60	5573	24.57	114	2.40								68	4956	21.85	114	2.50								78	4316	19.03	114	3.50								87	3851	16.98	114	3.70																																																																																																																										
12.3	22192	119.86	128	1.65			13.7	19841	107.16	128	1.85			16.0	16967	91.64	128	2.05	19.4	14064	75.96	128	2.40	21.9	12409	67.02	128	2.95	25.6	10613	57.32	128	3.30	327	833	4.50	10	1.85															14	19902	107.49	114	0.85	GR169 GRF169	4P	374	760	3.93			5.9	1.80	GRX139 GRXF139			4P	16			17254			93.19	114	1.00	18	15351	82.91	114	1.10	20	13646	73.70	114	1.25	22	12479	67.40	114	1.35	25	10859	58.65	114	1.55	28	9584	51.76	114	1.80	33	8308	44.87	114	2.10	37	7391	39.92	114	2.30	43	6371	34.41	114	2.70	53	5177	27.96	114	3.30	62	4390	23.71	114	3.90															18	15455	83.47	31	0.80	GR149 GRF149					4P	1021	274	1.44			5.2			2.30	GRX109 GRXF109	4P	20	13348	72.09	57	0.95	22	12403	66.99	59	1.00	24	11311	61.09	61	1.10	28	9789	52.87	64	1.25	32	8637	46.65	66	1.45	36	7460	40.29	67	1.65	41	6599	35.64	68	1.85	49	5545	29.95	69	2.20	61	4479	24.19	69	2.50								37kW								72	3785	20.44					70	3.00	GR149 GRF149	4P	7.4			43094	200	128	0.85	GR179R109 GRF179R109	4P	81	3340	18.04	70	3.00	94	2896			15.64	70	4.30	8.3	40348			177.89	128			0.85	29	9417	50.86	34			0.80	GR139 GRF139	4P	9.6	35147	154.96	128	0.95	GR179 GRF179	4P	33	8219	44.39	49	0.90	39	6971	37.65	52	1.10	45	6093	32.91	54	1.25	53	5153	27.83	55	1.40	61	4466	24.12	56	1.70	67	4073	22.00	56	1.85	77	3525	19.04	57	2.20	88	3111	16.80	57	2.40	101	2687	14.51			57	2.80															115	2376			12.83	55	3.20	GR139 GRF139	4P	22.1	15201	67.02	128	2.40	GR169 GRF169	4P	136	1998	10.79	54	3.80	194	1405	7.59	51	3.50	230	1181	6.38	49	4.10	16	21137	93.19	114	0.80	18	18805	82.91	114	0.90	20	16716	73.70	114	1.00	22	15287	67.40	114	1.10	25	13303	58.65	114			1.30	29	11740	51.76	114			1.45															73	3716	20.07	17	1.10	GR109 GRF109	4P	33	10177	44.87	114	1.65	GR169 GRF169	4P	81	3372	18.21	17	1.20	94	2898	15.65	16	1.40	108	2529	13.66	16	1.60	127	2146	11.59	15	1.90	145	1876	10.13	15	2.20	172	1585	8.56	15	2.60	187	1455	7.86	15	1.95	221	1233	6.66	14	2.30	253	1078			5.82	14	2.60															299	911	4.92	13	3.00			48	6965	30.71	114	1.35	GR169 GRF169	4P								60	5573	24.57	114	2.40								68	4956	21.85	114	2.50								78	4316	19.03	114	3.50								87	3851	16.98	114	3.70																																																																																																									
13.7	19841	107.16	128	1.85			16.0	16967	91.64	128	2.05			19.4	14064	75.96	128	2.40	21.9	12409	67.02	128	2.95	25.6	10613	57.32	128	3.30	327	833	4.50	10	1.85															14	19902	107.49	114	0.85	GR169 GRF169	4P	374	760	3.93			5.9	1.80	GRX139 GRXF139			4P	16					17254			93.19			114	1.00	18	15351	82.91	114	1.10	20	13646	73.70	114	1.25	22	12479	67.40	114	1.35	25	10859	58.65	114	1.55	28	9584	51.76	114	1.80	33	8308	44.87	114	2.10	37	7391	39.92	114	2.30	43	6371	34.41	114	2.70	53	5177	27.96	114	3.30	62	4390	23.71	114	3.90															18	15455	83.47	31	0.80	GR149 GRF149							4P	1021	274			1.44			5.2			2.30	GRX109 GRXF109	4P	20	13348	72.09	57	0.95	22	12403	66.99	59	1.00	24	11311	61.09	61	1.10	28	9789	52.87	64	1.25	32	8637	46.65	66	1.45	36	7460	40.29	67	1.65	41	6599	35.64	68	1.85	49	5545	29.95	69	2.20	61	4479	24.19	69	2.50								37kW							72					3785	20.44			70			3.00	GR149 GRF149	4P	7.4			43094	200	128	0.85	GR179R109 GRF179R109	4P	81			3340	18.04	70	3.00	94			2896	15.64			70	4.30	8.3	40348	177.89			128			0.85	29	9417	50.86	34			0.80	GR139 GRF139	4P	9.6	35147	154.96	128	0.95	GR179 GRF179	4P	33	8219	44.39	49	0.90	39	6971	37.65	52	1.10	45	6093	32.91	54	1.25	53	5153	27.83	55	1.40	61	4466	24.12	56	1.70	67	4073	22.00	56	1.85	77	3525	19.04			57	2.20	88	3111	16.80			57	2.40	101	2687			14.51	57	2.80																	115	2376	12.83	55	3.20	GR139 GRF139	4P	22.1	15201	67.02	128	2.40	GR169 GRF169	4P	136	1998	10.79	54	3.80	194	1405	7.59	51	3.50	230	1181	6.38	49	4.10	16	21137	93.19	114	0.80	18	18805	82.91	114	0.90			20	16716	73.70	114	1.00			22	15287	67.40	114	1.10			25	13303	58.65	114	1.30			29	11740	51.76	114	1.45															73	3716	20.07	17	1.10	GR109 GRF109	4P	33	10177	44.87	114	1.65	GR169 GRF169	4P	81	3372	18.21	17	1.20	94	2898	15.65	16	1.40	108	2529	13.66	16	1.60	127	2146	11.59	15	1.90	145	1876	10.13	15			2.20	172	1585	8.56	15	2.60	187	1455	7.86	15	1.95	221			1233	6.66	14	2.30	253	1078	5.82	14	2.60																299	911	4.92	13	3.00			48	6965	30.71	114	1.35	GR169 GRF169	4P								60	5573	24.57	114	2.40								68	4956	21.85	114	2.50								78	4316	19.03	114	3.50								87	3851	16.98	114	3.70																																																																																				
16.0	16967	91.64	128	2.05			19.4	14064	75.96	128	2.40			21.9	12409	67.02	128	2.95	25.6	10613	57.32	128	3.30	327	833	4.50	10	1.85															14	19902	107.49	114	0.85	GR169 GRF169	4P	374	760	3.93			5.9	1.80	GRX139 GRXF139			4P	16					17254					93.19			114			1.00	18	15351	82.91	114	1.10	20	13646	73.70	114	1.25	22	12479	67.40	114	1.35	25	10859	58.65	114	1.55	28	9584	51.76	114	1.80	33	8308	44.87	114	2.10	37	7391	39.92	114	2.30	43	6371	34.41	114	2.70	53	5177	27.96	114	3.30	62	4390	23.71	114	3.90															18	15455	83.47	31	0.80	GR149 GRF149									4P	1021			274			1.44			5.2			2.30	GRX109 GRXF109	4P	20	13348	72.09	57	0.95	22	12403	66.99	59	1.00	24	11311	61.09	61	1.10	28	9789	52.87	64	1.25	32	8637	46.65	66	1.45	36	7460	40.29	67	1.65	41	6599	35.64	68	1.85	49	5545	29.95	69	2.20	61	4479	24.19	69	2.50								37kW							72	3785	20.44	70			3.00			GR149 GRF149			4P			7.4	43094	200	128			0.85			GR179R109 GRF179R109	4P	81	3340	18.04			70	3.00			94	2896	15.64	70	4.30			8.3			40348	177.89	128	0.85	29			9417			50.86	34	0.80	GR139 GRF139	4P			9.6	35147	154.96	128	0.95	GR179 GRF179	4P	33	8219	44.39	49	0.90	39	6971	37.65	52	1.10	45	6093	32.91	54	1.25	53	5153	27.83	55	1.40	61	4466	24.12	56	1.70	67			4073	22.00	56	1.85	77			3525	19.04	57	2.20			88	3111	16.80	57	2.40			101	2687	14.51			57	2.80															115	2376	12.83			55	3.20	GR139 GRF139	4P	22.1	15201	67.02	128	2.40	GR169 GRF169	4P	136	1998	10.79	54	3.80	194	1405	7.59	51	3.50	230	1181	6.38	49			4.10	16	21137	93.19	114			0.80	18	18805	82.91	114			0.90	20	16716	73.70	114			1.00	22	15287	67.40	114	1.10			25	13303	58.65	114	1.30			29	11740	51.76	114	1.45															73	3716	20.07	17	1.10	GR109 GRF109	4P	33	10177	44.87	114	1.65	GR169 GRF169	4P	81	3372	18.21	17	1.20	94	2898	15.65	16			1.40	108	2529	13.66	16	1.60	127	2146	11.59	15	1.90	145			1876	10.13	15	2.20	172	1585	8.56	15	2.60	187	1455	7.86	15	1.95	221			1233	6.66	14	2.30	253	1078	5.82	14	2.60															299	911	4.92	13	3.00			48	6965	30.71	114	1.35	GR169 GRF169	4P								60	5573	24.57	114	2.40								68	4956	21.85	114	2.50								78	4316	19.03	114	3.50								87	3851	16.98	114	3.70																																																																				
19.4	14064	75.96	128	2.40			21.9	12409	67.02	128	2.95			25.6	10613	57.32	128	3.30	327	833	4.50	10	1.85															14	19902	107.49	114	0.85	GR169 GRF169	4P	374	760	3.93			5.9	1.80	GRX139 GRXF139			4P	16					17254					93.19					114			1.00			18	15351	82.91	114	1.10	20	13646	73.70	114	1.25	22	12479	67.40	114	1.35	25	10859	58.65	114	1.55	28	9584	51.76	114	1.80	33	8308	44.87	114	2.10	37	7391	39.92	114	2.30	43	6371	34.41	114	2.70	53	5177	27.96	114	3.30	62	4390	23.71	114	3.90															18	15455	83.47	31	0.80	GR149 GRF149											4P			1021			274			1.44			5.2			2.30	GRX109 GRXF109	4P	20	13348	72.09	57	0.95	22	12403	66.99	59	1.00	24	11311	61.09	61	1.10	28	9789	52.87	64	1.25	32	8637	46.65	66	1.45	36	7460	40.29	67	1.65	41	6599	35.64	68	1.85	49	5545	29.95	69	2.20	61	4479	24.19	69	2.50								37kW							72			3785	20.44	70							3.00	GR149 GRF149	4P	7.4			43094					200	128	0.85			GR179R109 GRF179R109	4P			81	3340	18.04	70	3.00			94			2896	15.64	70	4.30	8.3			40348			177.89	128	0.85					29	9417	50.86	34	0.80			GR139 GRF139	4P	9.6	35147	154.96	128	0.95	GR179 GRF179	4P	33	8219	44.39	49	0.90	39	6971	37.65	52	1.10	45	6093	32.91	54	1.25	53	5153			27.83	55	1.40	61	4466			24.12	56	1.70	67			4073	22.00	56	1.85	77			3525	19.04	57			2.20	88	3111	16.80	57			2.40	101	2687	14.51	57			2.80															115			2376	12.83	55	3.20	GR139 GRF139	4P	22.1	15201	67.02	128	2.40	GR169 GRF169	4P	136			1998	10.79	54	3.80	194			1405	7.59	51	3.50	230			1181	6.38	49	4.10	16			21137	93.19	114	0.80	18	18805			82.91	114	0.90	20	16716			73.70	114	1.00	22	15287	67.40	114	1.10	25			13303	58.65	114	1.30	29			11740	51.76	114	1.45															73	3716	20.07	17	1.10	GR109 GRF109			4P	33	10177	44.87	114	1.65	GR169 GRF169	4P	81	3372	18.21	17			1.20	94	2898	15.65	16	1.40	108	2529	13.66	16	1.60	127	2146	11.59	15			1.90	145	1876	10.13	15	2.20	172	1585	8.56	15	2.60	187	1455	7.86	15	1.95	221	1233	6.66			14	2.30	253	1078	5.82	14	2.60																	299	911	4.92	13	3.00			48	6965	30.71	114	1.35	GR169 GRF169	4P								60	5573	24.57	114	2.40								68	4956	21.85	114	2.50								78	4316	19.03	114	3.50								87	3851	16.98	114	3.70																																															
21.9	12409	67.02	128	2.95			25.6	10613	57.32	128	3.30			327	833	4.50	10	1.85															14	19902	107.49	114	0.85	GR169 GRF169	4P	374	760	3.93			5.9	1.80	GRX139 GRXF139			4P	16					17254					93.19					114					1.00			18			15351	82.91	114	1.10	20	13646	73.70	114	1.25	22	12479	67.40	114	1.35	25	10859	58.65	114	1.55	28	9584	51.76	114	1.80	33	8308	44.87	114	2.10	37	7391	39.92	114	2.30	43	6371	34.41	114	2.70	53	5177	27.96	114	3.30	62	4390	23.71	114	3.90															18	15455	83.47	31	0.80	GR149 GRF149															4P			1021			274			1.44			5.2			2.30	GRX109 GRXF109	4P	20	13348	72.09	57	0.95	22	12403	66.99	59	1.00	24	11311	61.09	61	1.10	28	9789	52.87	64	1.25	32	8637	46.65	66	1.45	36	7460	40.29	67	1.65	41	6599	35.64	68	1.85	49	5545	29.95	69	2.20	61	4479	24.19	69	2.50								37kW							72	3785	20.44					70	3.00	GR149 GRF149			4P			7.4					43094	200	128							0.85	GR179R109 GRF179R109	4P	81	3340			18.04			70	3.00	94	2896	15.64			70			4.30	8.3	40348					177.89	128	0.85	29	9417					50.86	34	0.80	GR139 GRF139	4P			9.6	35147	154.96	128	0.95	GR179 GRF179	4P	33	8219	44.39	49	0.90	39	6971	37.65	52	1.10			45	6093	32.91	54	1.25			53	5153	27.83	55			1.40	61	4466	24.12	56			1.70	67	4073			22.00	56	1.85	77	3525			19.04	57	2.20	88	3111			16.80	57	2.40	101	2687			14.51	57			2.80															115	2376	12.83			55			3.20	GR139 GRF139	4P	22.1	15201			67.02	128	2.40	GR169 GRF169	4P			136	1998	10.79	54	3.80			194	1405	7.59	51	3.50	230			1181	6.38	49	4.10	16			21137	93.19	114	0.80	18	18805	82.91	114	0.90			20	16716	73.70	114	1.00			22	15287	67.40	114	1.10	25			13303	58.65	114	1.30	29			11740	51.76	114	1.45																73	3716	20.07	17			1.10	GR109 GRF109	4P	33	10177	44.87	114	1.65	GR169 GRF169	4P	81	3372	18.21	17	1.20			94	2898	15.65	16	1.40	108	2529	13.66	16	1.60	127	2146	11.59	15	1.90	145	1876	10.13	15			2.20	172	1585	8.56	15	2.60	187	1455	7.86	15	1.95	221	1233	6.66			14	2.30	253	1078	5.82	14	2.60															299	911	4.92	13	3.00			48	6965	30.71	114	1.35	GR169 GRF169	4P								60	5573	24.57	114	2.40								68	4956	21.85	114	2.50								78	4316	19.03	114	3.50								87	3851	16.98	114	3.70																																	
25.6	10613	57.32	128	3.30			327	833	4.50	10	1.85																	14	19902	107.49	114	0.85	GR169 GRF169	4P	374	760	3.93			5.9	1.80	GRX139 GRXF139			4P	16					17254					93.19					114					1.00					18			15351			82.91	114	1.10	20	13646	73.70	114	1.25	22	12479	67.40	114	1.35	25	10859	58.65	114	1.55	28	9584	51.76	114	1.80	33	8308	44.87	114	2.10	37	7391	39.92	114	2.30	43	6371	34.41	114	2.70	53	5177	27.96	114	3.30	62	4390	23.71	114	3.90															18	15455	83.47	31	0.80	GR149 GRF149																			4P			1021			274			1.44			5.2			2.30	GRX109 GRXF109	4P	20	13348	72.09	57	0.95	22	12403	66.99	59	1.00	24	11311	61.09	61	1.10	28	9789	52.87	64	1.25	32	8637	46.65	66	1.45	36	7460	40.29	67	1.65	41	6599	35.64	68	1.85	49	5545	29.95	69	2.20	61	4479	24.19	69	2.50								37kW								72	3785		20.44	70					3.00	GR149 GRF149	4P					7.4	43094	200							128			0.85	GR179R109 GRF179R109			4P			81	3340	18.04	70	3.00			94			2896	15.64	70					4.30	8.3	40348	177.89	128					0.85	29	9417					50.86	34	0.80	GR139 GRF139	4P			9.6	35147	154.96	128	0.95	GR179 GRF179	4P	33	8219	44.39			49	0.90	39	6971	37.65			52	1.10	45	6093			32.91	54	1.25	53	5153			27.83	55	1.40			61	4466	24.12	56	1.70			67	4073	22.00	56	1.85			77	3525	19.04	57	2.20			88	3111			16.80	57	2.40	101	2687			14.51	57	2.80																	115	2376			12.83	55	3.20					GR139 GRF139	4P	22.1	15201	67.02			128	2.40	GR169 GRF169	4P	136	1998			10.79	54	3.80	194	1405			7.59	51	3.50	230	1181	6.38	49	4.10	16			21137	93.19	114	0.80	18			18805	82.91	114	0.90	20	16716			73.70	114	1.00	22	15287			67.40	114	1.10	25	13303	58.65	114	1.30					29	11740	51.76	114	1.45																			73	3716	20.07	17	1.10			GR109 GRF109	4P	33	10177	44.87	114	1.65	GR169 GRF169	4P	81	3372	18.21	17	1.20	94	2898	15.65	16	1.40			108	2529	13.66	16	1.60	127	2146	11.59	15	1.90	145	1876	10.13	15			2.20	172	1585	8.56	15	2.60	187	1455	7.86	15	1.95	221	1233	6.66	14	2.30	253	1078	5.82			14	2.60															299	911	4.92	13	3.00			48	6965	30.71	114	1.35	GR169 GRF169	4P								60	5573	24.57	114	2.40								68	4956	21.85	114	2.50								78	4316	19.03	114	3.50								87	3851	16.98	114	3.70																	
327	833	4.50	10	1.85																	14	19902	107.49	114	0.85	GR169 GRF169	4P	374	760	3.93	5.9	1.80			GRX139 GRXF139	4P	16			17254	93.19					114					1.00					18					15351					82.91					114			1.10			20	13646	73.70	114	1.25	22	12479	67.40	114	1.35	25	10859	58.65	114	1.55	28	9584	51.76	114	1.80	33	8308	44.87	114	2.10	37	7391	39.92	114	2.30	43	6371	34.41	114	2.70	53	5177	27.96	114	3.30	62	4390	23.71	114	3.90															18	15455	83.47	31	0.80	GR149 GRF149	4P	1021																							274			1.44			5.2			2.30			GRX109 GRXF109			4P	20	13348	72.09	57	0.95	22	12403	66.99	59	1.00	24	11311	61.09	61	1.10	28	9789	52.87	64	1.25	32	8637	46.65	66	1.45	36	7460	40.29	67	1.65	41	6599	35.64	68	1.85	49	5545	29.95	69	2.20	61	4479	24.19	69	2.50								37kW							72	3785	20.44	70	3.00					GR149 GRF149					4P	7.4	43094	200	128							0.85			GR179R109 GRF179R109							4P	81	3340	18.04	70			3.00			94	2896	15.64					70	4.30	8.3	40348	177.89					128	0.85	29					9417	50.86	34					0.80	GR139 GRF139	4P	9.6	35147			154.96	128	0.95			GR179 GRF179	4P	33	8219	44.39			49	0.90	39	6971			37.65	52	1.10	45	6093			32.91	54	1.25			53	5153	27.83	55	1.40			61	4466	24.12	56	1.70			67	4073	22.00	56	1.85			77	3525			19.04	57	2.20	88	3111			16.80	57	2.40	101			2687	14.51	57	2.80																							115	2376	12.83			55	3.20			GR139 GRF139	4P			22.1	15201	67.02	128	2.40			GR169 GRF169	4P	136	1998	10.79	54	3.80	194	1405			7.59	51	3.50	230	1181			6.38	49	4.10	16	21137	93.19			114	0.80	18	18805	82.91			114	0.90	20	16716	73.70	114	1.00	22		15287	67.40		114	1.10	25	13303	58.65			114	1.30	29	11740			51.76			114	1.45															73	3716	20.07	17	1.10			GR109 GRF109	4P	33	10177	44.87	114	1.65	GR169 GRF169	4P	81			3372	18.21	17	1.20	94	2898	15.65	16	1.40	108	2529	13.66	16	1.60			127	2146	11.59	15	1.90	145	1876	10.13	15	2.20	172	1585	8.56	15	2.60	187	1455	7.86	15			1.95	221	1233	6.66	14	2.30	253	1078	5.82	14	2.60															299	911	4.92			13	3.00			48	6965	30.71	114	1.35	GR169 GRF169	4P								60	5573	24.57	114	2.40								68	4956	21.85	114	2.50								78	4316	19.03	114	3.50								87	3851	16.98	114	3.70						
14	19902	107.49	114	0.85	GR169 GRF169	4P	374	760	3.93	5.9	1.80	GRX139 GRXF139	4P																																																																																																																																																																																																																																																																																																																																																																																																																																																																																																																																																																																																																																																																											
16	17254	93.19	114	1.00			18	15351	82.91	114	1.10			20	13646	73.70	114	1.25	22	12479	67.40	114	1.35	25	10859			58.65	114	1.55	28	9584					51.76			114	1.80					33					8308					44.87					114		2.10	37		7391		39.92	114		2.30	43	6371	34.41	114	2.70	53	5177	27.96	114	3.30	62	4390	23.71	114	3.90															18	15455	83.47	31	0.80	GR149 GRF149	4P	1021	274	1.44	5.2	2.30	GRX109 GRXF109	4P	20	13348	72.09	57	0.95	22	12403	66.99	59	1.00	24	11311	61.09	61	1.10	28	9789	52.87	64	1.25	32	8637	46.65	66	1.45	36			7460							40.29	67	1.65	41					6599	35.64		68	1.85				49			5545			29.95			69							2.20	61	4479	24.19	69	2.50								37kW							72	3785	20.44	70	3.00	GR149 GRF149	4P	7.4	43094	200	128	0.85	GR179R109 GRF179R109	4P	81	3340	18.04	70	3.00	94	2896	15.64	70	4.30	8.3	40348	177.89	128	0.85	29	9417	50.86	34	0.80	GR139 GRF139	4P	9.6	35147	154.96	128	0.95	GR179 GRF179	4P	33	8219	44.39	49	0.90		39	6971	37.65	52		1.10	45	6093	32.91	54	1.25	53	5153	27.83	55	1.40	61	4466		24.12	56	1.70	67				4073	22.00	56	1.85			77			3525	19.04	57					2.20	88	3111	16.80	57					2.40	101	2687					14.51	57	2.80																			115	2376	12.83	55	3.20	GR139 GRF139	4P	22.1	15201	67.02	128	2.40	GR169 GRF169	4P	136	1998	10.79	54	3.80	194	1405			7.59	51	3.50	230	1181			6.38	49	4.10	16	21137			93.19	114	0.80	18	18805			82.91	114			0.90	20	16716	73.70	114			1.00	22	15287	67.40			114	1.10	25	13303	58.65			114	1.30	29	11740			51.76	114	1.45															73	3716	20.07							17	1.10	GR109 GRF109	4P	33					10177	44.87	114	1.65	GR169 GRF169	4P	81			3372	18.21	17	1.20	94			2898	15.65	16	1.40	108	2529			13.66	16	1.60	127	2146			11.59	15	1.90	145	1876	10.13	15	2.20		172	1585		8.56	15	2.60	187	1455			7.86	15	1.95	221	1233	6.66	14			2.30	253	1078	5.82	14			2.60																		299	911	4.92	13	3.00					48	6965	30.71	114	1.35	GR169 GRF169	4P								60			5573	24.57	114	2.40								68	4956	21.85	114	2.50								78	4316	19.03	114	3.50								87	3851	16.98	114	3.70																																																																												
18	15351	82.91	114	1.10			20	13646	73.70	114	1.25			22	12479	67.40	114	1.35	25	10859	58.65	114	1.55	28	9584			51.76	114	1.80	33	8308					44.87			114	2.10					37					7391					39.92		114	2.30		43		6371	34.41		114	2.70	53	5177	27.96	114	3.30	62	4390	23.71	114	3.90															18	15455	83.47	31	0.80	GR149 GRF149	4P	1021	274	1.44	5.2	2.30	GRX109 GRXF109	4P			20	13348	72.09	57	0.95			22	12403	66.99	59	1.00	24	11311	61.09	61	1.10	28	9789	52.87	64	1.25	32	8637	46.65	66	1.45	36	7460	40.29	67	1.65	41			6599						35.64	68	1.85	49	5545	29.95				69	2.20		61	4479		24.19	69	2.50																37kW							72	3785	20.44	70	3.00	GR149 GRF149	4P	7.4	43094	200	128	0.85	GR179R109 GRF179R109	4P	81	3340	18.04	70			3.00	94	2896	15.64	70			4.30	8.3	40348	177.89	128	0.85	29	9417	50.86	34	0.80	GR139 GRF139	4P	9.6	35147	154.96	128	0.95	GR179 GRF179	4P			33	8219	44.39	49	0.90			39	6971	37.65	52	1.10	45	6093	32.91	54	1.25	53	5153	27.83	55	1.40	61	4466	24.12	56	1.70	67	4073	22.00	56	1.85	77	3525	19.04	57	2.20	88	3111	16.80	57	2.40	101	2687	14.51	57			2.80																115	2376	12.83					55	3.20	GR139 GRF139					4P			22.1	15201			67.02	128	2.40	GR169 GRF169	4P			136	1998	10.79	54	3.80			194	1405	7.59	51	3.50			230	1181	6.38	49	4.10	16	21137	93.19	114	0.80	18	18805	82.91	114	0.90	20	16716	73.70	114	1.00	22			15287	67.40	114	1.10	25			13303	58.65			114	1.30	29	11740	51.76			114	1.45															73			3716	20.07	17	1.10	GR109 GRF109	4P	33			10177	44.87			114	1.65	GR169 GRF169	4P	81	3372	18.21					17	1.20	94	2898			15.65	16	1.40			108	2529	13.66	16			1.60			127	2146	11.59	15	1.90			145	1876	10.13	15	2.20	172			1585	8.56	15	2.60	187			1455	7.86	15	1.95	221	1233	6.66	14		2.30	253		1078	5.82	14	2.60															299	911	4.92			13	3.00			48	6965	30.71			114	1.35	GR169 GRF169	4P								60	5573	24.57			114	2.40								68	4956	21.85	114	2.50								78	4316	19.03	114	3.50								87	3851	16.98	114	3.70																																																																																																	
20	13646	73.70	114	1.25			22	12479	67.40	114	1.35			25	10859	58.65	114	1.55	28	9584	51.76	114	1.80	33	8308			44.87	114	2.10	37	7391					39.92			114	2.30					43					6371		34.41	114		2.70		53	5177		27.96	114	3.30	62	4390	23.71	114	3.90															18	15455	83.47	31	0.80	GR149 GRF149	4P	1021	274	1.44	5.2	2.30	GRX109 GRXF109	4P			20	13348	72.09	57	0.95					22	12403	66.99	59	1.00			24	11311	61.09	61	1.10	28	9789	52.87	64	1.25	32	8637	46.65	66	1.45	36	7460	40.29	67	1.65	41	6599	35.64	68	1.85	49			5545					29.95	69	2.20	61	4479	24.19	69	2.50										37kW							72			3785							20.44	70	3.00	GR149 GRF149	4P	7.4	43094	200	128	0.85	GR179R109 GRF179R109	4P			81	3340	18.04	70	3.00			94	2896	15.64	70			4.30	8.3	40348	177.89	128			0.85	29	9417	50.86	34	0.80	GR139 GRF139	4P	9.6	35147	154.96			128	0.95	GR179 GRF179	4P	33					8219	44.39	49	0.90	39			6971	37.65	52	1.10	45	6093	32.91	54	1.25	53	5153	27.83	55	1.40	61	4466	24.12	56	1.70	67	4073	22.00	56	1.85	77	3525	19.04	57	2.20	88	3111	16.80	57	2.40	101	2687	14.51	57	2.80																			115	2376	12.83					55	3.20									GR139 GRF139	4P			22.1	15201	67.02					128	2.40	GR169 GRF169	4P	136			1998	10.79	54	3.80	194			1405	7.59	51	3.50	230	1181	6.38	49	4.10	16	21137	93.19	114	0.80	18	18805	82.91	114	0.90	20	16716	73.70	114	1.00	22	15287	67.40	114	1.10	25	13303	58.65			114	1.30	29	11740	51.76			114	1.45															73			3716	20.07	17	1.10			GR109 GRF109			4P	33			10177	44.87			114	1.65	GR169 GRF169					4P	81	3372	18.21			17	1.20	94			2898	15.65	16	1.40			108	2529	13.66	16	1.60	127	2146	11.59	15	1.90	145	1876	10.13	15	2.20	172			1585	8.56	15	2.60	187			1455	7.86	15	1.95	221	1233	6.66	14		2.30	253		1078	5.82	14	2.60															299	911	4.92			13	3.00			48	6965	30.71			114	1.35			GR169 GRF169					4P								60	5573	24.57	114	2.40								68	4956	21.85	114	2.50								78	4316	19.03	114	3.50								87	3851	16.98	114	3.70																																																																																													
22	12479	67.40	114	1.35			25	10859	58.65	114	1.55			28	9584	51.76	114	1.80	33	8308	44.87	114	2.10	37	7391			39.92	114	2.30	43	6371					34.41			114	2.70					53		5177	27.96		114		3.30	62		4390	23.71	114	3.90															18	15455	83.47	31	0.80	GR149 GRF149	4P	1021	274	1.44	5.2	2.30	GRX109 GRXF109	4P			20	13348	72.09	57	0.95					22	12403	66.99	59	1.00					24	11311	61.09	61	1.10			28	9789	52.87	64	1.25	32	8637	46.65	66	1.45	36	7460	40.29	67	1.65	41	6599	35.64	68	1.85	49	5545	29.95	69	2.20	61			4479				24.19	69	2.50									37kW							72	3785	20.44	70	3.00	GR149 GRF149	4P	7.4			43094							200	128	0.85			GR179R109 GRF179R109	4P	81	3340	18.04					70	3.00	94	2896	15.64			70	4.30	8.3	40348			177.89	128	0.85	29	9417			50.86	34	0.80	GR139 GRF139	4P	9.6			35147	154.96	128			0.95	GR179 GRF179			4P					33	8219	44.39	49	0.90			39	6971	37.65	52	1.10	45	6093	32.91	54	1.25	53	5153	27.83	55	1.40	61	4466	24.12	56	1.70	67	4073	22.00	56	1.85	77	3525	19.04	57	2.20	88	3111	16.80	57	2.40	101	2687	14.51	57	2.80															115			2376	12.83	55					3.20	GR139 GRF139													4P	22.1	15201					67.02	128			2.40			GR169 GRF169	4P	136	1998	10.79			54	3.80	194	1405	7.59	51	3.50	230	1181	6.38	49	4.10	16	21137	93.19	114	0.80	18	18805	82.91	114	0.90	20	16716	73.70	114	1.00	22	15287	67.40	114	1.10	25	13303	58.65	114	1.30	29	11740	51.76	114	1.45															73	3716			20.07	17	1.10	GR109 GRF109							4P			33	10177			44.87	114							1.65	GR169 GRF169	4P			81	3372	18.21			17	1.20	94	2898			15.65	16	1.40	108	2529	13.66	16	1.60	127	2146	11.59	15	1.90	145	1876	10.13	15	2.20	172	1585	8.56	15	2.60	187	1455	7.86	15	1.95	221	1233	6.66	14	2.30		253	1078		5.82	14	2.60															299	911	4.92	13			3.00			48	6965	30.71	114			1.35	GR169 GRF169									4P								60	5573	24.57	114	2.40										68	4956	21.85	114	2.50								78	4316	19.03	114	3.50								87	3851	16.98	114	3.70																																																																																										
25	10859	58.65	114	1.55			28	9584	51.76	114	1.80			33	8308	44.87	114	2.10	37	7391	39.92	114	2.30	43	6371			34.41	114	2.70	53	5177					27.96			114	3.30		62	4390		23.71		114	3.90																18	15455	83.47	31	0.80	GR149 GRF149	4P	1021	274	1.44	5.2	2.30	GRX109 GRXF109	4P			20	13348	72.09	57	0.95					22	12403	66.99	59	1.00					24	11311	61.09	61	1.10					28	9789	52.87	64	1.25			32	8637	46.65	66	1.45	36	7460	40.29	67	1.65	41	6599	35.64	68	1.85	49	5545	29.95	69	2.20	61	4479	24.19	69	2.50								37kW							72	3785	20.44	70	3.00	GR149 GRF149		4P	7.4		43094	200	128	0.85	GR179R109 GRF179R109	4P			81	3340	18.04	70							3.00	94	2896					15.64	70	4.30					8.3	40348	177.89	128	0.85			29	9417	50.86	34	0.80	GR139 GRF139	4P	9.6	35147	154.96	128	0.95	GR179 GRF179	4P	33	8219			44.39			49	0.90	39			6971									37.65	52	1.10	45	6093			32.91	54	1.25	53	5153	27.83	55	1.40	61	4466	24.12	56	1.70	67	4073	22.00	56	1.85	77	3525	19.04	57	2.20	88	3111	16.80	57	2.40	101	2687	14.51	57	2.80															115	2376	12.83	55	3.20	GR139 GRF139	4P	22.1	15201	67.02	128	2.40	GR169 GRF169			4P	136	1998															10.79	54					3.80	194			1405					7.59	51	3.50			230	1181	6.38	49	4.10	16	21137	93.19	114	0.80	18	18805	82.91	114	0.90	20	16716	73.70	114	1.00	22	15287	67.40	114	1.10	25	13303	58.65	114	1.30	29	11740	51.76	114	1.45															73	3716	20.07	17	1.10	GR109 GRF109	4P	33	10177			44.87	114	1.65											GR169 GRF169	4P			81	3372							18.21					17	1.20	94			2898	15.65	16	1.40			108	2529	13.66	16	1.60	127	2146	11.59	15	1.90	145	1876	10.13	15	2.20	172	1585	8.56	15	2.60	187	1455	7.86	15	1.95	221	1233	6.66	14	2.30	253	1078	5.82	14	2.60															299	911			4.92	13	3.00					48	6965	30.71	114	1.35	GR169 GRF169	4P														60	5573	24.57			114	2.40								68	4956	21.85	114	2.50								78	4316	19.03	114	3.50								87	3851	16.98	114	3.70																																																																																																	
28	9584	51.76	114	1.80			33	8308	44.87	114	2.10			37	7391	39.92	114	2.30	43	6371	34.41	114	2.70	53	5177			27.96	114	3.30	62	4390					23.71	114	3.90															18	15455	83.47	31	0.80	GR149 GRF149	4P	1021	274	1.44	5.2	2.30	GRX109 GRXF109	4P	20	13348			72.09	57	0.95	22	12403					66.99	59	1.00	24	11311					61.09	61	1.10	28	9789					52.87	64	1.25	32	8637					46.65	66	1.45	36	7460			40.29	67	1.65	41	6599	35.64	68	1.85	49	5545	29.95	69	2.20	61	4479	24.19	69	2.50								37kW							72	3785	20.44	70	3.00	GR149 GRF149	4P	7.4	43094	200	128	0.85		GR179R109 GRF179R109		4P		81	3340	18.04	70					3.00	94	2896	15.64	70	4.30					8.3	40348	177.89					128	0.85	29			9417	50.86	34	0.80	GR139 GRF139	4P	9.6	35147	154.96	128	0.95	GR179 GRF179	4P	33			8219	44.39	49	0.90	39			6971	37.65			52			1.10	45	6093			32.91									54	1.25	53	5153	27.83			55	1.40	61	4466	24.12	56	1.70	67	4073	22.00	56	1.85	77	3525	19.04	57	2.20	88	3111	16.80	57	2.40	101	2687	14.51	57	2.80															115	2376	12.83	55	3.20	GR139 GRF139	4P	22.1	15201	67.02	128			2.40	GR169 GRF169	4P	136	1998		10.79	54		3.80	194					1405	7.59									51	3.50					230	1181			6.38					49	4.10	16			21137	93.19	114	0.80	18	18805	82.91	114	0.90	20	16716	73.70	114	1.00	22	15287	67.40	114	1.10	25	13303	58.65	114	1.30	29	11740	51.76	114	1.45															73	3716	20.07	17	1.10	GR109 GRF109	4P	33	10177	44.87	114			1.65	GR169 GRF169	4P	81	3372	18.21	17					1.20	94									2898	15.65							16					1.40	108	2529			13.66	16	1.60	127			2146	11.59	15	1.90	145	1876	10.13	15	2.20	172	1585	8.56	15	2.60	187	1455	7.86	15	1.95	221	1233	6.66	14	2.30	253	1078	5.82	14	2.60															299	911	4.92	13	3.00			48	6965	30.71	114	1.35	GR169 GRF169	4P								60					5573											24.57	114	2.40												68	4956	21.85	114	2.50								78	4316	19.03	114	3.50								87	3851	16.98	114	3.70																																																																																																	
33	8308	44.87	114	2.10			37	7391	39.92	114	2.30			43	6371	34.41	114	2.70	53	5177	27.96	114	3.30	62	4390			23.71	114	3.90															18	15455	83.47	31	0.80	GR149 GRF149	4P	1021	274	1.44	5.2	2.30	GRX109 GRXF109	4P			20	13348	72.09	57	0.95			22	12403			66.99	59	1.00	24	11311					61.09	61	1.10	28	9789					52.87	64	1.25	32	8637					46.65	66	1.45	36	7460					40.29	67	1.65	41	6599			35.64	68	1.85	49	5545	29.95	69	2.20	61	4479	24.19	69	2.50								37kW								72	3785	20.44	70	3.00	GR149 GRF149	4P	7.4	43094			200	128	0.85	GR179R109 GRF179R109	4P					81	3340	18.04	70	3.00					94	2896	15.64	70	4.30	8.3		40348	177.89		128	0.85	29	9417	50.86			34	0.80	GR139 GRF139	4P	9.6	35147	154.96	128	0.95			GR179 GRF179	4P	33	8219	44.39			49			0.90	39	6971	37.65	52			1.10	45			6093			32.91	54	1.25			53									5153	27.83	55	1.40	61			4466	24.12	56	1.70	67	4073	22.00	56	1.85	77	3525	19.04	57	2.20	88	3111	16.80	57	2.40	101	2687	14.51	57	2.80															115	2376	12.83	55	3.20	GR139 GRF139	4P	22.1			15201	67.02	128	2.40			GR169 GRF169			4P	136		1998	10.79		54	3.80			194	1405	7.59	51						3.50	230		1181	6.38					49	4.10			16					21137	93.19	114			0.80	18	18805	82.91	114	0.90	20	16716	73.70	114	1.00	22	15287	67.40	114	1.10	25	13303	58.65	114	1.30	29	11740	51.76	114	1.45															73	3716	20.07	17	1.10	GR109 GRF109	4P	33			10177	44.87	114	1.65			GR169 GRF169			4P	81	3372	18.21					17	1.20			94	2898					15.65	16		1.40	108				2529					13.66	16	1.60			127	2146	11.59	15			1.90	145	1876	10.13	15	2.20	172	1585	8.56	15	2.60	187	1455	7.86	15	1.95	221	1233	6.66	14	2.30	253	1078	5.82	14	2.60															299	911	4.92	13	3.00			48	6965	30.71	114	1.35	GR169 GRF169	4P								60	5573	24.57	114			2.40								68					4956	21.85	114			2.50									78	4316	19.03	114	3.50								87	3851	16.98	114	3.70																																																																																																													
37	7391	39.92	114	2.30			43	6371	34.41	114	2.70			53	5177	27.96	114	3.30	62	4390	23.71	114	3.90															18	15455	83.47	31	0.80	GR149 GRF149	4P	1021	274	1.44	5.2	2.30			GRX109 GRXF109	4P	20	13348	72.09					57	0.95	22	12403	66.99			59	1.00			24	11311	61.09	61	1.10					28	9789	52.87	64	1.25					32	8637	46.65	66	1.45					36	7460	40.29	67	1.65					41	6599	35.64	68	1.85			49	5545	29.95	69	2.20	61	4479	24.19	69	2.50								37kW							72	3785	20.44	70	3.00	GR149 GRF149	4P	7.4	43094			200	128			0.85	GR179R109 GRF179R109	4P							81	3340	18.04	70	3.00			94	2896	15.64	70	4.30	8.3	40348	177.89	128	0.85	29	9417	50.86	34	0.80	GR139 GRF139	4P	9.6	35147	154.96	128			0.95	GR179 GRF179	4P	33	8219					44.39	49	0.90			39			6971	37.65	52	1.10	45			6093	32.91			54			1.25	53	5153			27.83									55	1.40	61	4466	24.12			56	1.70	67	4073	22.00	56	1.85	77	3525	19.04	57	2.20	88	3111	16.80	57	2.40	101	2687	14.51	57	2.80															115	2376	12.83	55	3.20	GR139 GRF139	4P			22.1			15201	67.02	128	2.40							GR169 GRF169		4P	136		1998	10.79			54	3.80	194	1405		7.59	51			3.50	230		1181	6.38			49	4.10	16	21137			93.19					114	0.80	18			18805	82.91	114	0.90	20	16716	73.70	114	1.00	22	15287	67.40	114	1.10	25	13303	58.65	114	1.30	29	11740	51.76	114	1.45															73	3716	20.07	17	1.10	GR109 GRF109	4P			33			10177	44.87	114	1.65							GR169 GRF169	4P	81					3372	18.21			17	1.20					94	2898		15.65	16	1.40	108		2529					13.66	16	1.60	127	2146	11.59	15	1.90	145			1876	10.13	15	2.20	172	1585	8.56	15	2.60	187	1455	7.86	15	1.95	221	1233	6.66	14	2.30	253	1078	5.82	14	2.60															299	911	4.92	13	3.00			48	6965	30.71	114	1.35	GR169 GRF169	4P										60	5573	24.57	114			2.40								68	4956	21.85			114	2.50								78	4316	19.03			114	3.50								87	3851	16.98	114	3.70																																																																																																																
43	6371	34.41	114	2.70			53	5177	27.96	114	3.30			62	4390	23.71	114	3.90															18	15455	83.47	31	0.80	GR149 GRF149	4P	1021	274	1.44			5.2	2.30	GRX109 GRXF109	4P	20					13348	72.09	57					0.95	22	12403	66.99	59			1.00	24			11311	61.09	61	1.10	28					9789	52.87	64	1.25	32					8637	46.65	66	1.45	36					7460	40.29	67	1.65	41					6599	35.64	68	1.85	49			5545	29.95	69	2.20	61	4479	24.19	69	2.50								37kW							72	3785	20.44	70	3.00	GR149 GRF149			4P	7.4			43094	200			128					0.85		GR179R109 GRF179R109		4P	81	3340	18.04	70	3.00	94	2896	15.64	70	4.30	8.3	40348	177.89	128	0.85	29	9417	50.86	34	0.80	GR139 GRF139			4P	9.6	35147	154.96			128			0.95	GR179 GRF179					4P	33	8219			44.39			49	0.90	39	6971	37.65			52	1.10			45			6093	32.91	54			1.25									53	5153	27.83	55	1.40			61	4466	24.12	56	1.70	67	4073	22.00	56	1.85	77	3525	19.04	57	2.20	88	3111	16.80	57	2.40	101	2687	14.51	57	2.80															115	2376					12.83			55	3.20	GR139 GRF139	4P										22.1		15201	67.02			128	2.40	GR169 GRF169	4P		136	1998			10.79	54		3.80	194			1405	7.59	51	3.50			230					1181	6.38	49			4.10	16	21137	93.19	114	0.80	18	18805	82.91	114	0.90	20	16716	73.70	114	1.00	22	15287	67.40	114	1.10	25	13303	58.65	114	1.30	29	11740	51.76	114	1.45																	73			3716	20.07	17	1.10									GR109 GRF109					4P	33			10177	44.87					114	1.65		GR169 GRF169	4P	81	3372		18.21					17	1.20	94	2898	15.65	16	1.40	108	2529			13.66	16	1.60	127	2146	11.59	15	1.90	145	1876	10.13	15	2.20	172	1585	8.56	15	2.60	187	1455	7.86	15	1.95	221	1233	6.66	14	2.30	253	1078	5.82	14	2.60															299	911	4.92					13			3.00			48	6965	30.71	114	1.35			GR169 GRF169	4P								60	5573			24.57	114	2.40								68	4956	21.85	114	2.50								78	4316	19.03	114	3.50								87	3851	16.98	114	3.70																																																																																																					
53	5177	27.96	114	3.30	62	4390	23.71	114	3.90															18	15455	83.47	31	0.80	GR149 GRF149	4P	1021	274	1.44	5.2	2.30	GRX109 GRXF109	4P			20	13348	72.09			57	0.95			22					12403	66.99	59					1.00	24	11311	61.09	61			1.10	28			9789	52.87	64	1.25	32					8637	46.65	66	1.45	36					7460	40.29	67	1.65	41					6599	35.64	68	1.85	49					5545	29.95	69	2.20	61			4479	24.19	69	2.50								37kW							72	3785	20.44	70	3.00	GR149 GRF149	4P	7.4	43094	200					128			0.85	GR179R109 GRF179R109	4P	81	3340					18.04	70		3.00		94	2896	15.64	70	4.30	8.3	40348	177.89	128	0.85	29	9417	50.86	34	0.80	GR139 GRF139	4P	9.6	35147	154.96					128	0.95	GR179 GRF179			4P			33							8219	44.39			49			0.90	39	6971	37.65	52			1.10	45			6093			32.91	54	1.25			53									5153	27.83	55	1.40	61			4466	24.12	56	1.70	67	4073	22.00	56	1.85	77	3525	19.04	57	2.20	88	3111	16.80	57	2.40	101	2687	14.51	57	2.80															115	2376	12.83					55			3.20	GR139 GRF139												4P		22.1	15201			67.02	128				2.40	GR169 GRF169			4P	136		1998	10.79			54	3.80	194	1405			7.59					51	3.50	230			1181	6.38	49	4.10	16	21137	93.19	114	0.80	18	18805	82.91	114	0.90	20	16716	73.70	114	1.00	22	15287	67.40	114	1.10	25	13303	58.65	114	1.30	29	11740	51.76	114	1.45																	73	3716	20.07	17															1.10			GR109 GRF109	4P					33	10177				44.87	114		1.65					GR169 GRF169	4P	81	3372	18.21	17	1.20	94	2898			15.65	16	1.40	108	2529	13.66	16	1.60	127	2146	11.59	15	1.90	145	1876	10.13	15	2.20	172	1585	8.56	15	2.60	187	1455	7.86	15	1.95	221	1233	6.66	14	2.30	253	1078	5.82	14	2.60																	299			911	4.92	13	3.00			48	6965					30.71		114	1.35		GR169 GRF169	4P								60	5573	24.57	114	2.40								68	4956	21.85	114	2.50								78	4316	19.03	114	3.50								87	3851	16.98	114	3.70																																																																																																
62	4390	23.71	114	3.90															18	15455	83.47	31	0.80	GR149 GRF149	4P	1021	274	1.44			5.2	2.30	GRX109 GRXF109	4P	20					13348	72.09	57			0.95	22			12403					66.99	59	1.00					24	11311	61.09	61	1.10			28	9789			52.87	64	1.25	32	8637					46.65	66	1.45	36	7460					40.29	67	1.65	41	6599					35.64	68	1.85	49	5545			29.95	69	2.20	61	4479	24.19	69	2.50								37kW							72	3785	20.44	70	3.00	GR149 GRF149	4P	7.4	43094	200			128	0.85	GR179R109 GRF179R109					4P	81	3340	18.04			70	3.00			94	2896	15.64	70		4.30		8.3	40348	177.89	128	0.85	29	9417	50.86	34	0.80	GR139 GRF139	4P	9.6	35147	154.96			128	0.95	GR179 GRF179					4P	33							8219							44.39	49			0.90			39	6971	37.65	52	1.10			45	6093			32.91			54	1.25	53			5153							27.83	55	1.40	61	4466	24.12	56	1.70	67	4073	22.00	56	1.85	77	3525	19.04	57	2.20	88	3111	16.80	57	2.40	101	2687	14.51	57	2.80															115	2376	12.83	55	3.20	GR139 GRF139	4P	22.1					15201			67.02															128	2.40			GR169 GRF169	4P				136					1998		10.79	54			3.80	194	1405	7.59			51	3.50	230			1181	6.38	49	4.10	16	21137	93.19	114	0.80	18	18805	82.91	114	0.90	20	16716	73.70	114	1.00	22	15287	67.40	114	1.10	25	13303	58.65	114	1.30	29	11740	51.76	114	1.45																			73			3716	20.07	17	1.10															GR109 GRF109									4P	33				10177	44.87		114			1.65	GR169 GRF169			4P	81	3372	18.21	17	1.20	94	2898	15.65	16	1.40	108	2529	13.66	16	1.60	127	2146	11.59	15	1.90	145	1876	10.13	15	2.20	172	1585	8.56	15	2.60	187	1455	7.86	15	1.95	221	1233	6.66	14	2.30	253	1078	5.82	14	2.60																		299			911	4.92	13	3.00			48	6965					30.71		114	1.35	GR169 GRF169			4P								60	5573	24.57	114	2.40								68	4956	21.85	114	2.50								78	4316	19.03	114	3.50								87	3851	16.98	114	3.70																																																																																															
18	15455	83.47	31	0.80	GR149 GRF149	4P	1021	274	1.44	5.2	2.30	GRX109 GRXF109	4P																																																																																																																																																																																																																																																																																																																																																																																																																																																																																																																																																																																																																																																																											
20	13348	72.09	57	0.95			22	12403	66.99	59	1.00			24	11311	61.09	61	1.10	28	9789	52.87	64	1.25			32	8637	46.65			66	1.45			36					7460	40.29	67			1.65	41			6599					35.64	68	1.85					49	5545	29.95	69	2.20			61	4479			24.19	69	2.50								37kW							72	3785	20.44	70	3.00	GR149 GRF149	4P	7.4	43094	200	128	0.85	GR179R109 GRF179R109	4P	81	3340	18.04	70	3.00	94	2896	15.64	70	4.30	8.3	40348	177.89	128	0.85	29	9417	50.86	34	0.80	GR139 GRF139	4P	9.6	35147	154.96	128	0.95	GR179 GRF179	4P	33			8219	44.39	49	0.90	39	6971	37.65		52	1.10	45	6093		32.91	54	1.25	53	5153	27.83	55	1.40	61	4466	24.12	56	1.70	67	4073	22.00	56	1.85	77	3525	19.04	57	2.20	88	3111	16.80			57	2.40	101			2687	14.51							57							2.80																					115	2376	12.83	55	3.20	GR139 GRF139	4P	22.1	15201	67.02	128	2.40	GR169 GRF169	4P	136	1998	10.79	54	3.80	194	1405	7.59	51	3.50	230	1181	6.38	49	4.10	16	21137	93.19	114	0.80	18	18805	82.91	114	0.90	20	16716	73.70	114	1.00	22	15287	67.40	114	1.10	25	13303	58.65	114	1.30	29	11740	51.76	114	1.45																		73															3716	20.07	17	1.10					GR109 GRF109	4P		33	10177		44.87	114	1.65	GR169 GRF169	4P	81	3372	18.21	17	1.20	94	2898	15.65	16	1.40	108	2529	13.66	16	1.60	127	2146	11.59	15	1.90	145	1876	10.13	15	2.20	172	1585	8.56	15	2.60	187	1455	7.86	15	1.95	221	1233	6.66	14	2.30	253	1078	5.82	14	2.60															299					911			4.92	13	3.00											48	6965	30.71	114			1.35	GR169 GRF169					4P								60	5573	24.57	114	2.40								68	4956	21.85	114	2.50								78	4316	19.03	114	3.50								87	3851	16.98	114	3.70																																																																																																																																																																																																					
22	12403	66.99	59	1.00			24	11311	61.09	61	1.10			28	9789	52.87	64	1.25	32	8637	46.65	66	1.45			36	7460	40.29			67	1.65			41					6599	35.64	68			1.85	49			5545					29.95	69	2.20					61	4479	24.19	69	2.50										37kW							72	3785	20.44	70	3.00	GR149 GRF149	4P	7.4	43094	200	128	0.85			GR179R109 GRF179R109	4P	81	3340	18.04			70	3.00	94	2896	15.64	70	4.30	8.3	40348	177.89	128	0.85	29	9417	50.86	34	0.80	GR139 GRF139	4P	9.6			35147	154.96	128	0.95	GR179 GRF179			4P	33	8219	44.39	49	0.90	39	6971	37.65	52	1.10	45	6093	32.91	54	1.25	53	5153	27.83	55	1.40	61	4466	24.12	56	1.70	67	4073	22.00	56	1.85	77	3525	19.04	57	2.20	88	3111	16.80	57	2.40	101			2687	14.51	57			2.80															115							2376	12.83			55	3.20	GR139 GRF139	4P	22.1	15201	67.02	128	2.40	GR169 GRF169	4P	136	1998	10.79	54			3.80	194	1405	7.59	51			3.50	230	1181	6.38	49	4.10	16	21137	93.19	114	0.80	18	18805	82.91	114	0.90	20	16716	73.70	114	1.00	22	15287	67.40	114	1.10	25	13303	58.65	114	1.30	29	11740	51.76	114	1.45															73	3716			20.07					17			1.10				GR109 GRF109	4P						33			10177	44.87	114	1.65	GR169 GRF169								4P	81		3372	18.21	17			1.20	94	2898	15.65	16	1.40	108	2529	13.66	16	1.60	127	2146	11.59	15	1.90	145	1876	10.13	15	2.20	172	1585	8.56	15	2.60	187	1455	7.86	15	1.95	221	1233	6.66	14	2.30	253	1078	5.82	14	2.60															299	911	4.92	13	3.00								48	6965	30.71	114	1.35	GR169 GRF169								4P										60	5573		24.57		114	2.40														68	4956	21.85	114	2.50								78	4316	19.03	114	3.50								87	3851	16.98	114	3.70																																																																																																																																																																																																							
24	11311	61.09	61	1.10			28	9789	52.87	64	1.25			32	8637	46.65	66	1.45	36	7460	40.29	67	1.65			41	6599	35.64			68	1.85			49					5545	29.95	69			2.20	61			4479					24.19	69	2.50										37kW							72	3785	20.44	70	3.00	GR149 GRF149	4P	7.4	43094	200	128	0.85	GR179R109 GRF179R109	4P			81	3340	18.04	70	3.00					94	2896	15.64			70	4.30	8.3	40348	177.89	128	0.85	29	9417	50.86	34	0.80	GR139 GRF139	4P	9.6	35147	154.96			128			0.95	GR179 GRF179	4P	33					8219	44.39	49	0.90	39	6971	37.65	52	1.10	45	6093	32.91	54	1.25	53	5153	27.83	55	1.40	61	4466	24.12	56	1.70	67	4073	22.00	56	1.85	77	3525	19.04	57	2.20	88	3111	16.80	57	2.40	101	2687			14.51	57	2.80																		115		2376	12.83				55	3.20	GR139 GRF139	4P	22.1	15201			67.02	128	2.40	GR169 GRF169	4P			136	1998	10.79	54			3.80	194	1405	7.59	51			3.50	230	1181	6.38	49	4.10	16	21137	93.19	114	0.80	18	18805	82.91	114	0.90	20	16716	73.70	114	1.00	22	15287	67.40	114	1.10	25	13303	58.65	114	1.30	29	11740	51.76	114	1.45															73	3716			20.07					17	1.10	GR109 GRF109	4P							33	10177			44.87			114	1.65	GR169 GRF169	4P										81		3372	18.21	17			1.20	94	2898	15.65	16	1.40	108	2529	13.66	16	1.60	127	2146	11.59	15	1.90	145	1876	10.13	15	2.20	172	1585	8.56	15	2.60	187	1455	7.86	15	1.95	221	1233	6.66	14	2.30	253	1078	5.82	14	2.60															299	911	4.92	13	3.00							48	6965	30.71	114	1.35	GR169 GRF169			4P								60	5573			24.57				114	2.40									68	4956	21.85	114	2.50								78	4316	19.03	114	3.50								87	3851	16.98	114	3.70																																																																																																																																																																																																																	
28	9789	52.87	64	1.25			32	8637	46.65	66	1.45			36	7460	40.29	67	1.65	41	6599	35.64	68	1.85			49	5545	29.95			69	2.20			61					4479	24.19	69			2.50									37kW							72	3785	20.44	70	3.00	GR149 GRF149	4P	7.4	43094	200	128	0.85	GR179R109 GRF179R109	4P	81	3340	18.04			70	3.00	94	2896	15.64					70	4.30	8.3	40348	177.89					128	0.85	29			9417	50.86	34	0.80	GR139 GRF139	4P	9.6	35147	154.96	128	0.95	GR179 GRF179			4P	33	8219			44.39			49			0.90					39	6971	37.65	52	1.10	45	6093	32.91	54	1.25	53	5153	27.83	55	1.40	61	4466	24.12	56	1.70	67	4073	22.00	56	1.85	77	3525	19.04	57	2.20	88	3111	16.80	57	2.40	101	2687	14.51	57	2.80																	115		2376	12.83				55		3.20	GR139 GRF139	4P	22.1		15201	67.02			128	2.40			GR169 GRF169	4P	136					1998	10.79	54	3.80			194	1405	7.59	51	3.50			230	1181	6.38	49	4.10	16	21137	93.19	114	0.80	18	18805	82.91	114	0.90	20	16716	73.70	114	1.00	22	15287	67.40	114	1.10	25	13303	58.65	114	1.30	29	11740	51.76	114	1.45															73	3716	20.07			17			1.10	GR109 GRF109	4P	33								10177	44.87	114	1.65		GR169 GRF169			4P	81												3372		18.21	17	1.20			94	2898	15.65	16	1.40	108	2529	13.66	16	1.60	127	2146	11.59	15	1.90	145	1876	10.13	15	2.20	172	1585	8.56	15	2.60	187	1455	7.86	15	1.95	221	1233	6.66	14	2.30	253	1078	5.82	14	2.60															299	911	4.92	13	3.00				48	6965	30.71	114	1.35	GR169 GRF169	4P								60					5573	24.57	114			2.40													68	4956	21.85	114	2.50								78	4316	19.03	114	3.50								87	3851	16.98	114	3.70																																																																																																																																																																																																																		
32	8637	46.65	66	1.45			36	7460	40.29	67	1.65			41	6599	35.64	68	1.85	49	5545	29.95	69	2.20			61	4479	24.19			69	2.50										37kW							72	3785	20.44	70	3.00	GR149 GRF149	4P	7.4	43094	200	128	0.85	GR179R109 GRF179R109	4P	81	3340	18.04			70	3.00	94	2896	15.64			70	4.30	8.3			40348	177.89	128	0.85	29					9417	50.86	34	0.80	GR139 GRF139	4P	9.6			35147	154.96	128	0.95	GR179 GRF179	4P	33	8219	44.39			49	0.90	39	6971	37.65					52	1.10			45			6093			32.91					54	1.25	53	5153	27.83	55	1.40	61	4466	24.12	56	1.70	67	4073	22.00	56	1.85	77	3525	19.04	57	2.20	88	3111	16.80	57	2.40	101	2687	14.51	57	2.80																	115	2376			12.83	55			3.20		GR139 GRF139	4P		22.1	15201	67.02		128			2.40		GR169 GRF169	4P			136	1998					10.79					54	3.80	194	1405			7.59	51	3.50	230	1181			6.38	49	4.10	16	21137	93.19	114	0.80	18	18805	82.91	114	0.90	20	16716	73.70	114	1.00	22	15287	67.40	114	1.10	25	13303	58.65	114	1.30	29	11740	51.76	114	1.45															73	3716	20.07	17	1.10			GR109 GRF109	4P	33	10177			44.87								114	1.65	GR169 GRF169	4P	81		3372			18.21												17		1.20	94	2898			15.65	16	1.40	108	2529	13.66	16	1.60	127	2146	11.59	15	1.90	145	1876	10.13	15	2.20	172	1585	8.56	15	2.60	187	1455	7.86	15	1.95	221	1233	6.66	14	2.30	253	1078	5.82	14	2.60															299	911	4.92	13	3.00			48	6965	30.71	114	1.35	GR169 GRF169	4P								60		5573	24.57	114	2.40												68	4956		21.85		114	2.50														78	4316	19.03	114	3.50								87	3851	16.98	114	3.70																																																																																																																																																																																																																			
36	7460	40.29	67	1.65			41	6599	35.64	68	1.85			49	5545	29.95	69	2.20	61	4479	24.19	69	2.50												37kW							72	3785	20.44	70	3.00	GR149 GRF149	4P	7.4	43094	200	128	0.85			GR179R109 GRF179R109	4P	81	3340	18.04			70	3.00	94			2896	15.64	70	4.30	8.3			40348	177.89	128			0.85	29	9417	50.86	34			0.80	GR139 GRF139	4P	9.6	35147	154.96			128	0.95	GR179 GRF179	4P	33	8219	44.39			49	0.90	39			6971	37.65	52	1.10	45					6093	32.91			54			1.25			53					5153	27.83	55	1.40	61	4466	24.12	56	1.70	67	4073	22.00	56	1.85	77	3525	19.04	57	2.20	88	3111	16.80	57	2.40	101	2687	14.51	57	2.80															115	2376	12.83			55	3.20		GR139 GRF139	4P	22.1	15201		67.02					128	2.40	GR169 GRF169	4P	136			1998	10.79					54	3.80					194					1405	7.59	51	3.50			230	1181	6.38	49	4.10			16	21137	93.19	114	0.80	18	18805	82.91	114	0.90	20	16716	73.70	114	1.00	22	15287	67.40	114	1.10	25	13303	58.65	114	1.30	29	11740	51.76	114	1.45															73	3716	20.07	17	1.10	GR109 GRF109	4P	33					10177	44.87			114				1.65	GR169 GRF169			4P	81			3372		18.21			17						1.20	94					2898		15.65	16	1.40			108	2529	13.66	16	1.60	127	2146	11.59	15	1.90	145	1876	10.13	15	2.20	172	1585	8.56	15	2.60	187	1455	7.86	15	1.95	221	1233	6.66	14	2.30	253	1078	5.82	14	2.60															299	911	4.92	13	3.00			48	6965	30.71	114	1.35	GR169 GRF169	4P								60			5573		24.57	114	2.40									68				4956	21.85		114		2.50								78	4316	19.03					114	3.50								87	3851	16.98	114	3.70																																																																																																																																																																																																																						
41	6599	35.64	68	1.85			49	5545	29.95	69	2.20			61	4479	24.19	69	2.50								37kW									72	3785	20.44	70	3.00	GR149 GRF149	4P	7.4	43094	200	128	0.85			GR179R109 GRF179R109	4P	81	3340	18.04					70	3.00	94			2896	15.64	70			4.30	8.3	40348	177.89	128			0.85	29	9417	50.86	34	0.80	GR139 GRF139	4P	9.6	35147	154.96	128	0.95			GR179 GRF179	4P	33			8219	44.39			49	0.90	39			6971	37.65	52			1.10	45	6093	32.91	54					1.25	53			5153			27.83			55					1.40	61	4466	24.12	56	1.70	67	4073	22.00	56	1.85	77	3525	19.04	57	2.20	88	3111	16.80	57	2.40	101	2687	14.51	57	2.80															115			2376	12.83	55	3.20	GR139 GRF139	4P	22.1				15201	67.02		128	2.40			GR169 GRF169	4P	136			1998			10.79	54					3.80	194					1405					7.59	51	3.50	230			1181	6.38	49	4.10	16			21137	93.19	114	0.80	18	18805	82.91	114	0.90	20	16716	73.70	114	1.00	22	15287	67.40	114	1.10	25	13303	58.65	114	1.30	29	11740	51.76	114	1.45															73	3716	20.07	17	1.10	GR109 GRF109			4P					33	10177			44.87			114	1.65					GR169 GRF169			4P		81	3372		18.21						17	1.20			94		2898	15.65	16	1.40	108			2529	13.66	16	1.60	127	2146	11.59	15	1.90	145	1876	10.13	15	2.20	172	1585	8.56	15	2.60	187	1455	7.86	15	1.95	221	1233	6.66	14	2.30	253	1078	5.82	14	2.60															299	911	4.92	13	3.00			48	6965	30.71	114	1.35	GR169 GRF169			4P										60		5573	24.57	114	2.40								68		4956	21.85	114	2.50									78	4316	19.03	114	3.50								87	3851	16.98	114	3.70																																																																																																																																																																																																																													
49	5545	29.95	69	2.20			61	4479	24.19	69	2.50										37kW							72	3785	20.44	70	3.00	GR149 GRF149	4P	7.4	43094	200	128	0.85			GR179R109 GRF179R109	4P	81	3340	18.04					70	3.00	94					2896	15.64	70			4.30	8.3	40348	177.89	128	0.85	29	9417	50.86	34	0.80	GR139 GRF139	4P	9.6	35147	154.96	128	0.95			GR179 GRF179	4P	33	8219	44.39					49			0.90	39			6971	37.65	52			1.10	45	6093			32.91	54	1.25	53	5153					27.83	55			1.40			61			4466					24.12	56	1.70	67	4073	22.00	56	1.85	77	3525	19.04	57	2.20	88	3111	16.80	57	2.40	101	2687	14.51	57	2.80															115	2376	12.83	55	3.20	GR139 GRF139	4P	22.1	15201	67.02			128	2.40			GR169 GRF169	4P	136	1998	10.79					54			3.80			194	1405					7.59	51					3.50					230	1181	6.38	49			4.10	16	21137	93.19	114			0.80	18	18805	82.91	114	0.90	20	16716	73.70	114	1.00	22	15287	67.40	114	1.10	25	13303	58.65	114	1.30	29	11740	51.76	114	1.45															73	3716	20.07	17	1.10	GR109 GRF109	4P	33					10177	44.87			114	1.65			GR169 GRF169			4P	81										3372	18.21		17				1.20	94	2898	15.65			16		1.40	108	2529	13.66	16			1.60	127	2146	11.59	15	1.90	145	1876	10.13	15	2.20	172	1585	8.56	15	2.60	187	1455	7.86	15	1.95	221	1233	6.66	14	2.30	253	1078	5.82	14	2.60															299	911	4.92	13	3.00			48	6965	30.71	114	1.35	GR169 GRF169	4P								60			5573	24.57			114		2.40								68	4956	21.85	114		2.50								78	4316	19.03	114	3.50								87	3851	16.98	114	3.70																																																																																																																																																																																																																																	
61	4479	24.19	69	2.50										37kW							72	3785	20.44	70	3.00	GR149 GRF149	4P	7.4	43094	200	128	0.85			GR179R109 GRF179R109	4P	81	3340	18.04					70	3.00	94					2896	15.64	70	4.30	8.3			40348	177.89	128	0.85	29	9417	50.86	34	0.80	GR139 GRF139	4P	9.6	35147	154.96	128	0.95			GR179 GRF179	4P	33	8219	44.39					49	0.90	39					6971			37.65	52			1.10	45	6093			32.91	54	1.25			53	5153	27.83	55	1.40					61	4466			24.12			56			1.70					67	4073	22.00	56	1.85	77	3525	19.04	57	2.20	88	3111	16.80	57	2.40	101	2687	14.51	57	2.80															115	2376	12.83	55	3.20	GR139 GRF139	4P	22.1			15201	67.02	128			2.40	GR169 GRF169					4P	136	1998					10.79			54			3.80	194					1405	7.59					51					3.50	230	1181	6.38			49	4.10	16	21137	93.19			114	0.80	18	18805	82.91	114	0.90	20	16716	73.70	114	1.00	22	15287	67.40	114	1.10	25	13303	58.65	114	1.30	29	11740	51.76	114	1.45															73	3716	20.07	17			1.10					GR109 GRF109	4P			33	10177							44.87										114	1.65		GR169 GRF169				4P	81	3372	18.21			17		1.20	94	2898	15.65	16			1.40	108	2529	13.66	16	1.60	127	2146	11.59	15	1.90	145	1876	10.13	15	2.20	172	1585	8.56	15	2.60	187	1455	7.86	15	1.95	221	1233	6.66	14	2.30	253	1078	5.82	14	2.60															299	911	4.92	13	3.00					48							6965			30.71	114			1.35		GR169 GRF169	4P								60	5573	24.57	114	2.40								68	4956	21.85	114	2.50								78	4316	19.03	114	3.50								87	3851	16.98	114	3.70																																																																																																																																																																																																																					
							37kW																																																																																																																																																																																																																																																																																																																																																																																																																																																																																																																																																																																																																																																																																	
72	3785	20.44	70	3.00	GR149 GRF149	4P	7.4	43094	200	128	0.85	GR179R109 GRF179R109	4P																																																																																																																																																																																																																																																																																																																																																																																																																																																																																																																																																																																																																																																																											
81	3340	18.04	70	3.00			94	2896	15.64	70	4.30			8.3	40348	177.89	128	0.85	29	9417	50.86	34	0.80	GR139 GRF139	4P			9.6	35147	154.96	128	0.95	GR179 GRF179	4P			33	8219	44.39	49	0.90	39	6971	37.65	52	1.10	45	6093	32.91	54	1.25	53	5153	27.83	55	1.40	61	4466	24.12	56	1.70	67	4073	22.00	56	1.85			77	3525	19.04	57	2.20					88	3111	16.80					57	2.40	101					2687			14.51	57			2.80																			115	2376	12.83	55	3.20	GR139 GRF139	4P	22.1			15201	67.02	128	2.40	GR169 GRF169	4P	136	1998	10.79	54	3.80	194	1405	7.59	51	3.50	230	1181	6.38	49	4.10	16	21137	93.19	114	0.80	18	18805	82.91	114	0.90	20	16716	73.70	114	1.00	22	15287	67.40	114	1.10	25	13303	58.65			114			1.30	29	11740			51.76							114	1.45																			73	3716			20.07			17	1.10	GR109 GRF109	4P	33	10177	44.87	114	1.65	GR169 GRF169	4P	81	3372	18.21	17	1.20	94	2898	15.65	16	1.40	108	2529	13.66	16	1.60	127	2146	11.59	15	1.90	145	1876	10.13	15	2.20	172	1585	8.56	15	2.60	187	1455	7.86	15	1.95	221	1233	6.66	14	2.30	253	1078	5.82	14	2.60																								299		911	4.92							13	3.00							48	6965	30.71	114	1.35	GR169 GRF169	4P								60	5573	24.57	114	2.40								68	4956	21.85	114	2.50								78	4316	19.03	114	3.50								87	3851	16.98	114	3.70																																																																																																																																																																																																																																																																																																									
94	2896	15.64	70	4.30			8.3	40348	177.89	128	0.85			29	9417	50.86	34	0.80	GR139 GRF139	4P	9.6	35147	154.96			128	0.95	GR179 GRF179	4P	33	8219	44.39			49	0.90	39	6971	37.65	52	1.10	45	6093	32.91	54	1.25	53	5153	27.83	55	1.40	61	4466	24.12	56	1.70	67	4073	22.00	56	1.85	77	3525	19.04	57	2.20			88	3111	16.80	57	2.40					101	2687	14.51					57	2.80																		115	2376	12.83			55	3.20	GR139 GRF139	4P	22.1		15201	67.02		128	2.40	GR169 GRF169	4P	136			1998	10.79	54	3.80	194	1405	7.59			51	3.50	230	1181	6.38	49	4.10	16	21137	93.19	114	0.80	18	18805	82.91	114	0.90	20	16716	73.70	114	1.00	22	15287	67.40	114	1.10	25	13303	58.65	114	1.30	29	11740	51.76	114	1.45																			73	3716					20.07			17			1.10	GR109 GRF109			4P	33	10177	44.87	114	1.65			GR169 GRF169	4P	81	3372	18.21			17	1.20	94	2898	15.65			16	1.40	108	2529	13.66	16	1.60	127	2146	11.59	15	1.90	145	1876	10.13	15	2.20	172	1585	8.56	15	2.60	187	1455	7.86	15	1.95	221	1233	6.66	14	2.30	253	1078	5.82	14	2.60															299									911	4.92				13	3.00				48	6965							30.71	114			1.35	GR169 GRF169	4P									60	5573	24.57	114	2.40								68	4956	21.85	114	2.50								78	4316	19.03	114	3.50								87	3851	16.98	114	3.70																																																																																																																																																																																																																																																																																																																
8.3	40348	177.89	128	0.85			29	9417	50.86	34	0.80			GR139 GRF139	4P	9.6	35147	154.96			128	0.95	GR179 GRF179			4P	33			8219	44.39	49			0.90	39	6971	37.65	52	1.10	45	6093	32.91	54	1.25	53	5153	27.83	55	1.40	61	4466	24.12	56	1.70	67	4073	22.00	56	1.85	77	3525	19.04	57	2.20	88			3111	16.80	57	2.40	101					2687	14.51	57					2.80																			115	2376	12.83	55	3.20	GR139 GRF139	4P			22.1	15201	67.02	128	2.40	GR169 GRF169	4P			136			1998	10.79	54	3.80	194	1405	7.59			51	3.50	230	1181	6.38	49	4.10	16	21137	93.19	114	0.80	18	18805	82.91	114	0.90	20	16716	73.70	114	1.00	22	15287	67.40	114	1.10	25	13303	58.65	114	1.30	29	11740	51.76	114	1.45																			73	3716					20.07			17	1.10	GR109 GRF109	4P					33	10177	44.87	114	1.65	GR169 GRF169	4P			81	3372	18.21			17	1.20	94	2898	15.65			16	1.40	108	2529	13.66	16	1.60	127	2146	11.59	15	1.90	145	1876	10.13	15	2.20	172	1585	8.56	15	2.60	187	1455	7.86	15	1.95	221	1233	6.66	14	2.30	253	1078	5.82	14	2.60															299									911	4.92	13	3.00					48		6965	30.71						114	1.35	GR169 GRF169	4P									60	5573			24.57	114	2.40								68	4956	21.85	114	2.50								78	4316	19.03	114	3.50								87	3851	16.98	114	3.70																																																																																																																																																																																																																																																																																																																		
29	9417	50.86	34	0.80	GR139 GRF139	4P	9.6	35147	154.96	128	0.95	GR179 GRF179	4P																																																																																																																																																																																																																																																																																																																																																																																																																																																																																																																																																																																																																																																																											
33	8219	44.39	49	0.90			39	6971	37.65	52	1.10					45	6093	32.91			54	1.25					53			5153	27.83	55			1.40	61	4466	24.12	56	1.70	67	4073	22.00	56	1.85	77	3525	19.04	57	2.20	88	3111	16.80	57	2.40	101	2687	14.51	57	2.80																		115	2376	12.83					55	3.20	GR139 GRF139	4P	22.1			15201	67.02	128	2.40	GR169 GRF169	4P	136	1998	10.79	54	3.80	194	1405	7.59	51	3.50	230					1181	6.38	49	4.10	16					21137			93.19	114	0.80	18	18805	82.91	114			0.90	20	16716	73.70	114	1.00	22	15287	67.40	114	1.10	25	13303	58.65	114	1.30	29	11740	51.76	114	1.45															73	3716	20.07			17			1.10	GR109 GRF109	4P			33		10177	44.87				114	1.65	GR169 GRF169	4P			81	3372	18.21	17	1.20				94	2898		15.65	16	1.40	108	2529					13.66	16	1.60			127	2146	11.59	15	1.90			145	1876	10.13	15	2.20	172	1585	8.56	15	2.60	187	1455	7.86	15	1.95	221	1233	6.66	14	2.30	253	1078	5.82	14	2.60															299	911	4.92	13	3.00			48	6965	30.71			114		1.35	GR169 GRF169				4P								60		5573	24.57	114	2.40											68				4956	21.85	114	2.50								78	4316	19.03	114	3.50								87	3851	16.98	114	3.70																																																																																																																																																																																																																																																																																																																																				
39	6971	37.65	52	1.10			45	6093	32.91	54	1.25					53	5153	27.83			55	1.40					61			4466	24.12	56			1.70	67	4073	22.00	56	1.85	77	3525	19.04	57	2.20	88	3111	16.80	57	2.40	101	2687	14.51	57	2.80															115	2376	12.83	55					3.20	GR139 GRF139	4P	22.1	15201			67.02	128			2.40	GR169 GRF169	4P	136	1998	10.79	54			3.80	194	1405	7.59	51	3.50	230	1181	6.38	49	4.10					16	21137	93.19	114	0.80					18			18805	82.91	114	0.90	20	16716	73.70			114	1.00	22	15287	67.40	114	1.10	25	13303	58.65	114	1.30	29	11740	51.76	114	1.45															73	3716	20.07	17	1.10	GR109 GRF109	4P			33			10177			44.87	114	1.65		GR169 GRF169	4P				81	3372			18.21	17	1.20	94	2898	15.65	16				1.40	108		2529	13.66	16	1.60	127					2146	11.59	15			1.90	145	1876	10.13	15			2.20	172	1585	8.56	15	2.60	187	1455	7.86	15	1.95	221	1233	6.66	14	2.30	253	1078	5.82	14	2.60															299	911	4.92	13	3.00			48	6965	30.71	114	1.35	GR169 GRF169	4P											60	5573	24.57	114	2.40									68	4956	21.85	114	2.50										78	4316	19.03	114	3.50										87	3851	16.98	114	3.70																																																																																																																																																																																																																																																																																																																																													
45	6093	32.91	54	1.25			53	5153	27.83	55	1.40					61	4466	24.12			56	1.70					67			4073	22.00	56			1.85	77	3525	19.04	57	2.20	88	3111	16.80	57	2.40	101	2687	14.51	57	2.80															115	2376			12.83	55	3.20	GR139 GRF139	4P	22.1	15201			67.02			128	2.40	GR169 GRF169	4P	136	1998			10.79			54	3.80	194	1405			7.59	51	3.50	230	1181	6.38	49	4.10	16	21137	93.19					114	0.80	18	18805	82.91					114			0.90	20	16716	73.70	114	1.00	22			15287	67.40	114	1.10	25	13303	58.65	114	1.30	29	11740	51.76	114	1.45															73	3716	20.07	17	1.10	GR109 GRF109	4P	33					10177	44.87	114	1.65			GR169 GRF169	4P	81				3372	18.21		17	1.20			94	2898	15.65	16	1.40	108	2529				13.66	16		1.60	127	2146	11.59	15					1.90	145	1876			10.13	15	2.20	172	1585			8.56	15	2.60	187	1455	7.86	15	1.95	221	1233	6.66	14	2.30	253	1078	5.82	14	2.60															299	911	4.92	13	3.00			48	6965	30.71	114	1.35	GR169 GRF169	4P								60		5573				24.57	114	2.40								68	4956	21.85	114	2.50									78				4316	19.03	114	3.50								87	3851	16.98	114	3.70																																																																																																																																																																																																																																																																																																																																																
53	5153	27.83	55	1.40			61	4466	24.12	56	1.70					67	4073	22.00			56	1.85					77			3525	19.04	57			2.20	88	3111	16.80	57	2.40	101	2687	14.51	57	2.80															115	2376	12.83	55	3.20	GR139 GRF139	4P	22.1	15201	67.02	128	2.40			GR169 GRF169	4P	136	1998	10.79			54	3.80			194	1405			7.59			51	3.50	230	1181			6.38	49	4.10	16	21137	93.19	114	0.80	18	18805	82.91					114	0.90	20	16716	73.70					114			1.00	22	15287	67.40	114	1.10	25			13303	58.65	114	1.30	29	11740	51.76	114	1.45															73	3716	20.07	17	1.10	GR109 GRF109	4P	33	10177	44.87			114			1.65	GR169 GRF169	4P	81	3372	18.21					17	1.20			94	2898	15.65	16	1.40			108	2529	13.66	16	1.60	127	2146				11.59	15		1.90	145	1876	10.13	15					2.20	172	1585			8.56	15	2.60	187	1455			7.86	15	1.95	221	1233	6.66	14	2.30	253	1078	5.82	14	2.60															299	911	4.92	13	3.00			48	6965	30.71	114	1.35	GR169 GRF169	4P									60	5573	24.57	114	2.40									68	4956	21.85	114	2.50								78	4316	19.03	114	3.50										87	3851	16.98			114	3.70																																																																																																																																																																																																																																																																																																																																																							
61	4466	24.12	56	1.70			67	4073	22.00	56	1.85					77	3525	19.04			57	2.20					88			3111	16.80	57			2.40	101	2687	14.51	57	2.80															115	2376	12.83	55	3.20	GR139 GRF139	4P	22.1	15201	67.02			128	2.40	GR169 GRF169	4P	136					1998	10.79	54			3.80	194			1405	7.59			51			3.50	230	1181	6.38			49	4.10	16	21137	93.19	114	0.80	18	18805	82.91	114					0.90	20	16716	73.70	114					1.00			22	15287	67.40	114	1.10	25	13303			58.65	114	1.30	29	11740	51.76	114	1.45															73	3716	20.07	17	1.10	GR109 GRF109			4P	33	10177			44.87			114			1.65	GR169 GRF169	4P					81	3372			18.21	17	1.20	94	2898			15.65	16	1.40	108	2529	13.66	16				1.60	127		2146	11.59	15	1.90	145					1876	10.13	15			2.20	172	1585	8.56	15			2.60	187	1455	7.86	15	1.95	221	1233	6.66	14	2.30	253	1078	5.82	14	2.60															299	911	4.92	13	3.00			48	6965			30.71	114	1.35			GR169 GRF169			4P								60		5573	24.57	114	2.40								68	4956	21.85	114	2.50								78			4316	19.03	114	3.50								87	3851	16.98	114	3.70																																																																																																																																																																																																																																																																																																																																																	
67	4073	22.00	56	1.85			77	3525	19.04	57	2.20					88	3111	16.80			57	2.40					101			2687	14.51	57			2.80															115	2376	12.83	55	3.20	GR139 GRF139	4P	22.1	15201	67.02			128	2.40	GR169 GRF169			4P	136			1998					10.79	54	3.80			194	1405			7.59	51			3.50			230	1181	6.38	49			4.10	16	21137	93.19	114	0.80	18	18805	82.91	114	0.90					20	16716	73.70	114	1.00					22			15287	67.40	114	1.10	25	13303	58.65			114	1.30	29	11740	51.76	114	1.45															73	3716	20.07	17	1.10	GR109 GRF109					4P	33			10177			44.87			114							1.65	GR169 GRF169			4P	81	3372	18.21	17			1.20	94	2898	15.65	16	1.40	108				2529	13.66		16	1.60	127	2146	11.59					15	1.90	145			1876	10.13	15	2.20	172			1585	8.56	15	2.60	187	1455	7.86	15	1.95	221	1233	6.66	14	2.30	253	1078	5.82	14	2.60															299	911	4.92	13	3.00				48	6965	30.71							114	1.35	GR169 GRF169	4P									60	5573	24.57	114	2.40								68	4956	21.85	114	2.50										78	4316	19.03	114	3.50								87	3851	16.98	114	3.70																																																																																																																																																																																																																																																																																																																																													
77	3525	19.04	57	2.20			88	3111	16.80	57	2.40					101	2687	14.51			57	2.80																115	2376	12.83	55	3.20	GR139 GRF139	4P	22.1	15201	67.02	128	2.40	GR169 GRF169	4P	136	1998	10.79			54	3.80	194			1405	7.59					51			3.50					230	1181	6.38			49	4.10			16	21137			93.19			114	0.80	18	18805			82.91	114	0.90	20	16716	73.70	114	1.00	22	15287	67.40					114	1.10	25	13303	58.65					114	1.30	29	11740	51.76	114	1.45															73	3716	20.07	17	1.10	GR109 GRF109	4P	33	10177	44.87	114	1.65	GR169 GRF169	4P	81	3372	18.21							17			1.20			94			2898							15.65					16	1.40	108	2529			13.66	16	1.60	127	2146	11.59	15				1.90	145		1876	10.13	15	2.20	172					1585	8.56	15	2.60	187	1455	7.86	15	1.95	221	1233	6.66	14	2.30	253	1078	5.82	14	2.60															299	911	4.92	13	3.00			48	6965	30.71	114	1.35	GR169 GRF169	4P								60	5573							24.57	114				2.40								68	4956	21.85	114	2.50								78	4316	19.03	114	3.50								87	3851	16.98	114	3.70																																																																																																																																																																																																																																																																																																																																																										
88	3111	16.80	57	2.40			101	2687	14.51	57	2.80																				115	2376	12.83	55	3.20	GR139 GRF139	4P	22.1	15201	67.02	128	2.40			GR169 GRF169	4P	136	1998	10.79			54	3.80	194			1405	7.59	51			3.50	230					1181			6.38					49	4.10	16			21137	93.19			114	0.80			18			18805	82.91	114	0.90			20	16716	73.70	114	1.00	22	15287	67.40	114	1.10	25			13303	58.65	114	1.30	29	11740	51.76			114	1.45															73	3716	20.07	17	1.10	GR109 GRF109	4P	33	10177	44.87	114	1.65			GR169 GRF169	4P	81	3372	18.21			17	1.20	94							2898			15.65			16			1.40							108					2529	13.66	16	1.60			127	2146	11.59	15	1.90	145	1876			10.13	15	2.20	172	1585	8.56	15	2.60	187			1455	7.86	15	1.95	221	1233	6.66	14	2.30	253	1078	5.82	14	2.60															299	911	4.92	13	3.00			48	6965	30.71	114	1.35	GR169 GRF169	4P								60	5573	24.57	114			2.40									68	4956				21.85	114	2.50									78	4316	19.03	114	3.50								87	3851	16.98	114	3.70																																																																																																																																																																																																																																																																																																																																																																			
101	2687	14.51	57	2.80																	115	2376	12.83	55	3.20	GR139 GRF139	4P	22.1	15201	67.02	128	2.40	GR169 GRF169	4P	136			1998	10.79	54	3.80	194					1405	7.59	51			3.50	230	1181			6.38	49	4.10			16	21137					93.19			114					0.80	18	18805			82.91	114			0.90	20			16716			73.70	114	1.00	22			15287	67.40	114	1.10	25	13303	58.65	114	1.30	29	11740	51.76	114	1.45															73	3716	20.07	17	1.10	GR109 GRF109	4P	33	10177	44.87	114	1.65	GR169 GRF169	4P	81			3372	18.21	17	1.20	94					2898	15.65	16			1.40	108	2529							13.66			16			1.60			127							2146					11.59	15	1.90	145			1876	10.13	15	2.20	172	1585	8.56	15	2.60	187	1455	7.86	15	1.95	221	1233	6.66	14	2.30	253	1078	5.82	14	2.60															299	911	4.92	13	3.00			48	6965	30.71	114	1.35	GR169 GRF169	4P								60			5573	24.57	114	2.40										68	4956	21.85							114	2.50										78	4316	19.03	114	3.50								87	3851	16.98	114	3.70																																																																																																																																																																																																																																																																																																																																																																								
115	2376	12.83	55	3.20	GR139 GRF139	4P	22.1	15201	67.02	128	2.40	GR169 GRF169	4P																																																																																																																																																																																																																																																																																																																																																																																																																																																																																																																																																																																																																																																																											
136	1998	10.79	54	3.80			194	1405	7.59	51	3.50			230	1181	6.38	49	4.10	16	21137	93.19	114	0.80	18	18805			82.91	114	0.90	20	16716			73.70			114	1.00	22	15287	67.40					114	1.10	25			13303	58.65	114			1.30	29	11740			51.76	114					1.45																	73	3716	20.07	17	1.10	GR109 GRF109	4P	33	10177	44.87	114	1.65	GR169 GRF169	4P	81	3372	18.21	17	1.20	94	2898	15.65	16	1.40	108	2529	13.66	16	1.60	127	2146	11.59	15	1.90	145	1876	10.13	15	2.20	172	1585	8.56	15	2.60	187	1455			7.86	15	1.95	221	1233			6.66			14	2.30	253	1078	5.82					14	2.60																						299			911	4.92			13		3.00			48	6965	30.71	114	1.35	GR169 GRF169	4P								60	5573	24.57	114	2.40								68	4956	21.85	114	2.50								78	4316	19.03	114	3.50								87	3851	16.98	114	3.70																																																																																																																																																																																																																																																																																																																																																																																																																																							
194	1405	7.59	51	3.50			230	1181	6.38	49	4.10			16	21137	93.19	114	0.80	18	18805	82.91	114	0.90	20	16716			73.70	114	1.00	22	15287			67.40			114	1.10	25	13303	58.65					114	1.30	29			11740	51.76	114			1.45																			73	3716	20.07	17	1.10	GR109 GRF109	4P	33	10177	44.87	114	1.65	GR169 GRF169	4P			81	3372	18.21	17	1.20			94	2898	15.65	16	1.40	108	2529	13.66	16	1.60	127	2146	11.59	15	1.90	145	1876	10.13	15	2.20	172	1585	8.56	15	2.60	187	1455	7.86	15	1.95	221	1233			6.66	14	2.30	253	1078			5.82			14	2.60															299							911	4.92	13	3.00			48			6965			30.71	114	1.35	GR169 GRF169	4P									60			5573	24.57	114	2.40								68	4956	21.85	114	2.50								78	4316	19.03	114	3.50								87	3851	16.98	114	3.70																																																																																																																																																																																																																																																																																																																																																																																																																																															
230	1181	6.38	49	4.10			16	21137	93.19	114	0.80			18	18805	82.91	114	0.90	20	16716	73.70	114	1.00	22	15287			67.40	114	1.10	25	13303			58.65			114	1.30	29	11740	51.76					114	1.45																	73	3716		20.07			17	1.10	GR109 GRF109	4P	33	10177	44.87	114	1.65	GR169 GRF169			4P	81	3372	18.21	17					1.20	94	2898	15.65	16			1.40	108	2529	13.66	16	1.60	127	2146	11.59	15	1.90	145	1876	10.13	15	2.20	172	1585	8.56	15	2.60	187	1455	7.86	15	1.95	221	1233	6.66	14	2.30	253			1078	5.82	14	2.60																299	911	4.92			13	3.00				48	6965			30.71	114	1.35	GR169 GRF169	4P								60	5573	24.57				114	2.40									68	4956	21.85	114	2.50								78	4316	19.03	114	3.50								87	3851	16.98	114	3.70																																																																																																																																																																																																																																																																																																																																																																																																																																																										
16	21137	93.19	114	0.80			18	18805	82.91	114	0.90			20	16716	73.70	114	1.00	22	15287	67.40	114	1.10	25	13303			58.65	114	1.30	29	11740			51.76			114	1.45															73			3716	20.07	17	1.10	GR109 GRF109	4P	33		10177	44.87		114	1.65	GR169 GRF169	4P	81			3372	18.21	17	1.20	94					2898	15.65	16	1.40					108	2529	13.66	16	1.60			127	2146	11.59	15	1.90	145	1876	10.13	15	2.20	172	1585	8.56	15	2.60	187	1455	7.86	15	1.95	221	1233	6.66	14	2.30	253	1078	5.82	14	2.60															299	911	4.92	13	3.00							48			6965	30.71	114		1.35	GR169 GRF169	4P								60	5573	24.57	114	2.40									68	4956		21.85	114	2.50								78	4316	19.03	114	3.50								87	3851	16.98	114	3.70																																																																																																																																																																																																																																																																																																																																																																																																																																																																			
18	18805	82.91	114	0.90			20	16716	73.70	114	1.00			22	15287	67.40	114	1.10	25	13303	58.65	114	1.30	29	11740			51.76	114	1.45																	73	3716	20.07			17	1.10	GR109 GRF109	4P	33	10177	44.87	114	1.65			GR169 GRF169	4P	81	3372	18.21	17	1.20			94			2898	15.65	16	1.40	108					2529	13.66	16	1.60					127	2146	11.59	15	1.90			145	1876	10.13	15	2.20	172	1585	8.56	15	2.60	187	1455	7.86	15	1.95	221	1233	6.66	14	2.30	253	1078	5.82	14	2.60																	299			911	4.92	13	3.00						48	6965	30.71			114	1.35	GR169 GRF169	4P								60			5573	24.57	114	2.40									68	4956	21.85	114	2.50								78	4316	19.03	114	3.50								87	3851	16.98	114	3.70																																																																																																																																																																																																																																																																																																																																																																																																																																																																					
20	16716	73.70	114	1.00			22	15287	67.40	114	1.10			25	13303	58.65	114	1.30	29	11740	51.76	114	1.45															73	3716	20.07	17	1.10	GR109 GRF109	4P			33	10177	44.87	114	1.65	GR169 GRF169	4P			81	3372	18.21	17	1.20					94	2898	15.65	16	1.40			108			2529	13.66	16	1.60	127					2146	11.59	15	1.90					145	1876	10.13	15	2.20			172	1585	8.56	15	2.60	187	1455	7.86	15	1.95	221	1233	6.66	14	2.30	253	1078	5.82	14	2.60															299	911	4.92	13	3.00						48	6965	30.71	114	1.35	GR169 GRF169	4P												60			5573	24.57	114	2.40								68	4956	21.85	114	2.50								78	4316	19.03	114	3.50										87	3851	16.98	114	3.70																																																																																																																																																																																																																																																																																																																																																																																																																																																																											
22	15287	67.40	114	1.10			25	13303	58.65	114	1.30			29	11740	51.76	114	1.45																	73	3716	20.07	17	1.10	GR109 GRF109	4P	33			10177	44.87	114	1.65	GR169 GRF169	4P	81					3372	18.21	17	1.20	94					2898	15.65	16	1.40	108			2529			13.66	16	1.60	127	2146					11.59	15	1.90	145					1876	10.13	15	2.20	172			1585	8.56	15	2.60	187	1455	7.86	15	1.95	221	1233	6.66	14	2.30	253	1078	5.82	14	2.60																299	911	4.92	13	3.00					48	6965	30.71	114	1.35	GR169 GRF169			4P								60			5573			24.57	114	2.40								68	4956	21.85	114	2.50								78	4316	19.03	114	3.50								87	3851	16.98	114	3.70																																																																																																																																																																																																																																																																																																																																																																																																																																																																														
25	13303	58.65	114	1.30			29	11740	51.76	114	1.45																	73	3716	20.07	17	1.10	GR109 GRF109	4P	33	10177	44.87	114	1.65			GR169 GRF169			4P	81	3372	18.21			17					1.20	94	2898	15.65	16					1.40	108	2529	13.66	16			1.60			127	2146	11.59	15	1.90					145	1876	10.13	15					2.20	172	1585	8.56	15			2.60	187	1455	7.86	15	1.95	221	1233	6.66	14	2.30	253	1078	5.82	14	2.60															299	911	4.92	13	3.00			48	6965	30.71	114	1.35	GR169 GRF169	4P									60	5573	24.57	114	2.40									68	4956	21.85	114	2.50										78	4316	19.03			114	3.50										87	3851	16.98	114	3.70																																																																																																																																																																																																																																																																																																																																																																																																																																																																																		
29	11740	51.76	114	1.45																	73	3716	20.07	17	1.10	GR109 GRF109	4P	33	10177	44.87	114	1.65			GR169 GRF169	4P	81	3372	18.21							17	1.20	94			2898					15.65	16	1.40	108	2529					13.66	16	1.60	127	2146			11.59			15	1.90	145	1876	10.13					15	2.20	172	1585					8.56	15	2.60	187	1455			7.86	15	1.95	221	1233	6.66	14	2.30	253	1078	5.82	14	2.60															299	911	4.92	13	3.00			48	6965	30.71	114	1.35	GR169 GRF169	4P												60	5573	24.57	114	2.40									68	4956	21.85	114	2.50										78	4316	19.03			114	3.50								87	3851	16.98	114	3.70																																																																																																																																																																																																																																																																																																																																																																																																																																																																																				
73	3716	20.07	17	1.10	GR109 GRF109	4P	33	10177	44.87	114	1.65	GR169 GRF169	4P																																																																																																																																																																																																																																																																																																																																																																																																																																																																																																																																																																																																																																																																											
81	3372	18.21	17	1.20			94	2898	15.65	16	1.40			108	2529	13.66	16	1.60	127	2146	11.59	15	1.90	145	1876			10.13	15	2.20	172	1585					8.56	15	2.60							187	1455	7.86			15					1.95	221	1233	6.66	14					2.30	253	1078	5.82	14			2.60																	299	911	4.92	13	3.00			48	6965	30.71	114	1.35	GR169 GRF169	4P								60	5573	24.57	114	2.40								68	4956	21.85	114	2.50								78	4316	19.03	114			3.50											87	3851	16.98	114	3.70																																																																																																																																																																																																																																																																																																																																																																																																																																																																																																																													
94	2898	15.65	16	1.40			108	2529	13.66	16	1.60			127	2146	11.59	15	1.90	145	1876	10.13	15	2.20	172	1585			8.56	15	2.60	187	1455					7.86	15	1.95							221	1233	6.66			14					2.30	253	1078	5.82	14					2.60															299	911	4.92	13	3.00			48	6965	30.71	114	1.35	GR169 GRF169	4P										60	5573	24.57	114	2.40								68	4956	21.85	114	2.50								78	4316	19.03	114	3.50									87			3851	16.98	114	3.70																																																																																																																																																																																																																																																																																																																																																																																																																																																																																																																																						
108	2529	13.66	16	1.60			127	2146	11.59	15	1.90			145	1876	10.13	15	2.20	172	1585	8.56	15	2.60	187	1455			7.86	15	1.95	221	1233					6.66	14	2.30							253	1078	5.82			14					2.60																299	911	4.92	13	3.00			48	6965	30.71	114	1.35	GR169 GRF169	4P									60	5573	24.57	114	2.40								68	4956	21.85	114	2.50								78	4316	19.03	114	3.50								87	3851	16.98	114	3.70																																																																																																																																																																																																																																																																																																																																																																																																																																																																																																																																																		
127	2146	11.59	15	1.90			145	1876	10.13	15	2.20			172	1585	8.56	15	2.60	187	1455	7.86	15	1.95	221	1233			6.66	14	2.30	253	1078					5.82	14	2.60																						299	911	4.92	13	3.00			48	6965	30.71	114	1.35	GR169 GRF169	4P								60	5573			24.57	114	2.40								68	4956	21.85	114	2.50										78	4316	19.03	114	3.50								87	3851	16.98	114	3.70																																																																																																																																																																																																																																																																																																																																																																																																																																																																																																																																																										
145	1876	10.13	15	2.20			172	1585	8.56	15	2.60			187	1455	7.86	15	1.95	221	1233	6.66	14	2.30	253	1078			5.82	14	2.60																299	911	4.92			13	3.00			48	6965	30.71	114	1.35	GR169 GRF169	4P								60	5573	24.57	114			2.40								68			4956	21.85	114	2.50								78	4316	19.03	114			3.50								87	3851	16.98	114	3.70																																																																																																																																																																																																																																																																																																																																																																																																																																																																																																																																																																					
172	1585	8.56	15	2.60			187	1455	7.86	15	1.95			221	1233	6.66	14	2.30	253	1078	5.82	14	2.60															299	911	4.92	13		3.00			48	6965	30.71	114	1.35	GR169 GRF169	4P										60	5573	24.57	114	2.40									68	4956	21.85	114	2.50								78	4316	19.03	114	3.50												87	3851	16.98	114	3.70																																																																																																																																																																																																																																																																																																																																																																																																																																																																																																																																																																													
187	1455	7.86	15	1.95			221	1233	6.66	14	2.30			253	1078	5.82	14	2.60																			299	911	4.92	13	3.00			48	6965	30.71	114	1.35	GR169 GRF169	4P												60	5573	24.57	114	2.40									68	4956	21.85	114	2.50								78	4316	19.03	114	3.50												87	3851	16.98	114	3.70																																																																																																																																																																																																																																																																																																																																																																																																																																																																																																																																																																													
221	1233	6.66	14	2.30			253	1078	5.82	14	2.60																	299	911	4.92	13	3.00			48	6965	30.71	114	1.35	GR169 GRF169	4P												60	5573	24.57	114	2.40								68	4956	21.85	114	2.50								78	4316	19.03	114	3.50								87	3851	16.98			114	3.70																																																																																																																																																																																																																																																																																																																																																																																																																																																																																																																																																																																									
253	1078	5.82	14	2.60																	299	911	4.92	13	3.00			48	6965	30.71	114	1.35	GR169 GRF169	4P								60	5573	24.57	114	2.40								68	4956	21.85	114	2.50								78	4316	19.03	114	3.50								87	3851	16.98	114	3.70																																																																																																																																																																																																																																																																																																																																																																																																																																																																																																																																																																																																						
299	911	4.92	13	3.00			48	6965	30.71	114	1.35	GR169 GRF169	4P																																																																																																																																																																																																																																																																																																																																																																																																																																																																																																																																																																																																																																																																											
							60	5573	24.57	114	2.40										68	4956	21.85	114	2.50										78	4316	19.03	114	3.50														87	3851	16.98	114	3.70																																																																																																																																																																																																																																																																																																																																																																																																																																																																																																																																																																																																																															
							68	4956	21.85	114	2.50										78	4316	19.03	114	3.50										87	3851	16.98	114	3.70																																																																																																																																																																																																																																																																																																																																																																																																																																																																																																																																																																																																																																																	
							78	4316	19.03	114	3.50										87	3851	16.98	114	3.70																																																																																																																																																																																																																																																																																																																																																																																																																																																																																																																																																																																																																																																															
							87	3851	16.98	114	3.70																																																																																																																																																																																																																																																																																																																																																																																																																																																																																																																																																																																																																																																																													

**选型参数表
(恒功率)**
**Selection Table
(Constant Power)**

n_a [r/min]	M_a [N.m]	i	F_{Ra} [kN]	f_B	机型号 Type size	极数 Pole	n_a [r/min]	M_a [N.m]	i	F_{Ra} [kN]	f_B	机型号 Type size	极数 Pole
37kW							45kW						
22	15194	66.99	33	0.80	GR149 GRF149	4P	36	11233	40.72	128	3.15	GR179 GRF179	4P
24	13856	61.09	51	0.90			45	9153	33.18	128	3.70		
28	11992	52.87	60	1.00			50	8251	29.60	116	2.25	GR179 GRF179	4P
32	10581	46.65	63	1.15			58	7164	25.70	116	2.60		
37	9138	40.29	65	1.35			63	6501	23.32	105	3.25		
42	8084	35.64	66	1.50			74	5600	20.09	105	4.35		
49	6793	29.95	68	1.80			20	20330	73.70	114	0.85		
61	5487	24.19	69	2.00	22	18592	67.40	114	0.90				
72	4636	20.44	69	2.40	25	16179	58.65	114	1.05				
82	4092	18.04	70	2.40	29	14278	51.76	114	1.20				
95	3547	15.64	70	3.50	33	12378	44.87	114	1.35				
106	3155	13.91	70	3.80	37	11012	39.92	114	1.55				
39	8539	37.65	47	0.90	43	9492	34.41	114	1.80				
45	7464	32.91	51	1.00	53	7713	27.96	114	2.20				
53	6312	27.83	53	1.15	62	6540	23.71	114	2.60				
61	5471	24.12	54	1.40	48	8471	30.71	114	1.10				
67	4990	22.00	55	1.50	60	6778	24.57	114	1.95				
78	4319	19.04	55	1.75	68	6027	21.85	114	2.00				
88	3810	16.80	54	2.00	78	5249	19.03	114	2.90				
102	3291	14.51	54	2.30	87	4684	16.98	114	3.00				
115	2910	12.83	53	2.60	102	3994	14.48	114	3.50				
137	2447	10.79	52	3.10	28	14584	52.87	42	0.85				
170	1976	8.71	50	3.70	32	12869	46.65	58	0.95				
195	1722	7.59	49	2.80	37	11114	40.29	62	1.10				
232	1447	6.38	48	3.30	42	9831	35.64	64	1.25				
287	1168	5.15	45	3.70	49	8262	29.95	66	1.50				
74	4552	20.07	15	0.90	61	6673	24.19	69	1.70				
81	4130	18.21	15	1.00	72	5638	20.44	69	2.00				
95	3550	15.65	15	1.15	82	4976	18.04	69	2.00				
108	3098	13.66	15	1.30	95	4314	15.64	70	2.80				
128	2629	11.59	15	1.55	106	3837	13.91	70	3.10				
146	2298	10.13	14	1.75	123	3307	11.99	70	3.70				
173	1942	8.56	14	2.10	204	2000	7.25	71	4.10				
188	1783	7.86	14	1.55	45	9078	32.91	40	0.85				
222	1511	6.66	14	1.85	53	7677	27.83	49	0.95				
254	1320	5.82	13	2.10	61	6654	24.12	50	1.15				
301	1116	4.92	13	2.50	67	6069	22.00	51	1.25				
377	915	3.93	5.9	1.45	78	5252	19.04	51	1.45				
435	792	3.40	5.9	1.70	88	4634	16.80	51	1.65				
493	698	3.00	6.5	2.00	102	4003	14.51	51	1.90				
571	603	2.59	6.9	2.15	115	3539	12.83	50	2.10				
646	533	2.29	5.9	2.20	137	2976	10.79	49	2.50				
767	449	1.93	6.0	2.45	170	2403	8.71	48	3.10				
438	787	3.38	4.2	1.00	195	2094	7.59	48	2.30				
482	715	3.07	4.7	1.10	232	1760	6.38	46	2.70				
561	615	2.64	5.3	1.30	287	1421	5.15	44	3.00				
643	536	2.30	5.3	1.50	95	4317	15.65	14	0.95				
759	454	1.95	5.2	1.65	108	3768	13.66	14	1.10				
865	398	1.71	5.1	1.70	128	3197	11.59	14	1.25				
1028	335	1.44	5.0	1.85	146	2794	10.13	14	1.45				
45kW							45kW						
11	37875	137.30	128	0.85	GR179 GRF179	4P	173	2361	8.56	13	1.70	GR109 GRF109	4P
12	33064	119.86	128	1.10			188	2168	7.86	14	1.30		
14	29560	107.16	128	1.25			222	1837	6.66	13	1.50		
16	25279	91.64	128	1.40			254	1605	5.82	13	1.75		
19	20954	75.96	128	1.60			301	1357	4.92	12	2.00		
22	18488	67.02	128	2.00			377	1113	3.93	5.9	1.20		
26	15812	57.32	128	2.20			435	963	3.40	5.9	1.40		
31	13106	47.51	128	2.60			493	850	3.00	6.5	1.65		
							571	733	2.59	6.9	1.75		
							646	648	2.29	5.9	1.80		
					767	547	1.93	6.0	2.00				
										GRX139 GRXF139	4P		

选型参数表
(恒功率)
Selection Table
(Constant Power)

n_a [r/min]	M_a [N.m]	i	F_{Ra} [kN]	f_B	机型号 Type size	极数 Pole	n_a [r/min]	M_a [N.m]	i	F_{Ra} [kN]	f_B	机型号 Type size	极数 Pole																																																																																																																																																																																																																																																																																																																																																																																																																																					
45kW							75kW																																																																																																																																																																																																																																																																																																																																																																																																																																											
438	957	3.38	1.3	0.85	GRX109 GRXF109	4P	16	42132	91.64	128	0.85	GR179 GRF179	4P																																																																																																																																																																																																																																																																																																																																																																																																																																					
482	869	3.07	3.5	0.90			561	748	2.64	2.8	1.10			643	651	2.30	3.5	1.25	759	552	1.95	4.0	1.35	865	484	1.71	4.3	1.40	1028	408	1.44	4.6	1.55	58	11940	25.70	116	1.55	63	10834	23.32	116	1.95	GR179 GRF179	4P	74	9334	20.09	105	2.60	88	7842	16.88	105	3.45	101	6792	14.62	105	3.75	33	20629	44.87	114	0.85	GR169 GRF169	4P	37	18353	39.92	114	0.95	43	15820	34.41	114	1.10	53	12855	27.96	114	1.35	62	10901	23.71	114	1.55	60	11296	24.57	114	1.20	68	10046	21.85	114	1.25	GR169 GRF169	4P	78	8749	19.03	114	1.75	87	7807	16.98	114	1.85	102	6657	14.48	114	2.60	123	5512	11.99	111	2.90	145	4708	10.24	107	3.40	49	13770	29.95	54	0.90	GR149 GRF149	4P	61	11121	24.19	62	1.00	72	9397	20.44	65	1.20	GR149 GRF149	4P	82	8294	18.04	66	1.20	95	7191	15.64	67	1.70	106	6395	13.91	68	1.85	123	5512	11.99	69	2.20	152	4478	9.74	69	2.80	179	3798	8.26	70	3.20	204	3333	7.25	69	2.50	251	2708	5.89	67	3.00	296	2299	5.00	64	3.60	90kW							90kW							20	41626	75.96	128	0.80	GR179 GRF179	4P	22	36727	67.02	128	1.00	26	31412	57.32	128	1.10	31	26036	47.51	128	1.30	37	22315	40.72	128	1.60	45	18183	33.18	128	1.85	64	12914	23.32	116	1.60	74	11125	20.09	116	2.20	GR179 GRF179	4P	88	9348	16.88	105	2.90	102	8096	14.62	105	3.10	122	6745	12.18	98	4.45	37	21876	39.92	114	0.80	GR169 GRF169	4P	43	18857	34.41	114	0.90	53	15322	27.96	114	1.10	63	12993	23.71	114	1.30	61	13464	24.57	114	1.00	68	11974	21.85	114	1.00	GR169 GRF169	4P	78	10429	19.03	114	1.45	88	9305	16.98	114	1.50	103	7935	14.48	111	2.10	124	6571	11.99	108	2.40	146	5612	10.24	105	2.90	78	6419	19.04	45	1.20	GR139 GRF139	4P	88	5664	16.80	46	1.35	102	4892	14.51	46	1.55	115	4326	12.83	47	1.75	137	3638	10.79	46	2.10	170	2937	8.71	46	2.50	195	2559	7.59	46	1.90	232	2151	6.38	45	2.20	287	1736	5.15	43	2.50	493	1038	3.00	6.5	1.35	571	896	2.59	6.9	1.45	GRX139 GRXF139	4P	646	793	2.29	5.9	1.50	767	668	1.93	6.0	1.65																																													
561	748	2.64	2.8	1.10			643	651	2.30	3.5	1.25			759	552	1.95	4.0	1.35	865	484	1.71	4.3	1.40	1028	408	1.44	4.6	1.55	58	11940	25.70	116	1.55	63	10834	23.32	116	1.95	GR179 GRF179	4P	74	9334	20.09			105	2.60	88	7842	16.88	105	3.45	101	6792	14.62	105	3.75	33	20629	44.87	114	0.85	GR169 GRF169	4P	37			18353	39.92	114	0.95	43	15820	34.41	114	1.10	53	12855	27.96	114	1.35	62	10901	23.71	114	1.55	60	11296	24.57	114	1.20	68	10046	21.85	114	1.25	GR169 GRF169			4P	78	8749	19.03	114	1.75	87	7807	16.98	114	1.85	102	6657	14.48	114	2.60	123	5512	11.99	111	2.90	145	4708	10.24	107	3.40	49	13770	29.95	54			0.90	GR149 GRF149	4P	61	11121	24.19	62	1.00	72	9397			20.44	65	1.20	GR149 GRF149	4P	82	8294	18.04	66	1.20	95	7191	15.64	67	1.70	106	6395	13.91	68	1.85	123	5512	11.99	69	2.20	152	4478	9.74	69	2.80	179	3798	8.26	70	3.20	204	3333	7.25	69	2.50	251	2708	5.89	67	3.00	296	2299	5.00	64	3.60	90kW							90kW									20	41626	75.96	128	0.80	GR179 GRF179	4P	22	36727	67.02	128	1.00	26	31412	57.32	128	1.10	31	26036	47.51	128	1.30	37	22315	40.72	128	1.60	45	18183	33.18	128	1.85	64	12914	23.32			116	1.60	74	11125	20.09	116	2.20	GR179 GRF179	4P	88	9348	16.88	105	2.90	102	8096	14.62	105	3.10	122			6745	12.18	98	4.45	37	21876	39.92	114	0.80	GR169 GRF169	4P	43	18857	34.41	114	0.90	53	15322	27.96	114	1.10	63	12993	23.71	114			1.30	61	13464	24.57	114	1.00	68	11974	21.85	114	1.00	GR169 GRF169	4P	78	10429	19.03	114	1.45	88	9305	16.98	114	1.50	103	7935	14.48	111	2.10	124	6571			11.99	108	2.40	146	5612	10.24	105	2.90	78	6419	19.04	45	1.20	GR139 GRF139	4P	88	5664	16.80	46	1.35	102	4892	14.51	46	1.55	115	4326	12.83	47	1.75	137	3638	10.79	46	2.10	170	2937	8.71	46	2.50	195	2559	7.59	46	1.90	232	2151	6.38	45	2.20			287	1736	5.15	43	2.50	493	1038	3.00	6.5	1.35	571	896	2.59	6.9	1.45	GRX139 GRXF139	4P	646	793	2.29	5.9	1.50	767	668	1.93	6.0	1.65																												
643	651	2.30	3.5	1.25			759	552	1.95	4.0	1.35			865	484	1.71	4.3	1.40	1028	408	1.44	4.6	1.55	58	11940	25.70	116	1.55	63	10834	23.32	116	1.95	GR179 GRF179	4P	74	9334	20.09			105	2.60	88			7842	16.88	105	3.45	101	6792	14.62	105	3.75	33	20629	44.87	114	0.85	GR169 GRF169	4P	37			18353			39.92	114	0.95	43	15820	34.41	114	1.10	53	12855	27.96	114	1.35	62	10901	23.71	114	1.55	60	11296	24.57	114	1.20	68	10046	21.85	114	1.25	GR169 GRF169					4P	78	8749	19.03	114	1.75	87	7807	16.98	114	1.85	102	6657	14.48	114	2.60	123	5512	11.99	111	2.90	145	4708	10.24	107	3.40	49	13770	29.95	54	0.90	GR149 GRF149			4P	61	11121	24.19	62	1.00	72			9397	20.44	65			1.20	GR149 GRF149	4P	82	8294	18.04	66	1.20	95	7191	15.64	67	1.70	106	6395	13.91	68	1.85	123	5512	11.99	69	2.20	152	4478	9.74	69	2.80	179	3798	8.26	70	3.20	204	3333	7.25	69	2.50	251	2708	5.89	67	3.00	296	2299	5.00	64	3.60	90kW							90kW							20	41626	75.96	128			0.80	GR179 GRF179	4P	22	36727	67.02	128	1.00	26	31412	57.32	128	1.10	31	26036	47.51	128	1.30	37	22315	40.72	128	1.60	45	18183	33.18	128	1.85			64	12914	23.32	116	1.60	74	11125			20.09	116	2.20	GR179 GRF179	4P	88	9348	16.88	105	2.90	102			8096	14.62	105	3.10	122	6745	12.18	98	4.45			37	21876	39.92	114	0.80	GR169 GRF169	4P	43	18857	34.41	114	0.90	53	15322			27.96	114	1.10	63	12993	23.71	114	1.30	61	13464	24.57			114	1.00	68	11974	21.85	114	1.00	GR169 GRF169	4P	78	10429	19.03	114	1.45	88	9305	16.98			114	1.50	103	7935	14.48	111	2.10	124	6571	11.99	108	2.40	146			5612	10.24	105	2.90	78	6419	19.04	45	1.20	GR139 GRF139	4P	88	5664	16.80	46	1.35	102	4892	14.51	46	1.55	115	4326	12.83	47	1.75	137	3638	10.79	46	2.10	170	2937	8.71	46			2.50	195	2559	7.59	46	1.90	232	2151	6.38	45	2.20	287	1736	5.15	43			2.50	493	1038	3.00	6.5	1.35	571	896	2.59	6.9	1.45	GRX139 GRXF139	4P	646	793	2.29	5.9	1.50	767	668	1.93	6.0	1.65															
759	552	1.95	4.0	1.35			865	484	1.71	4.3	1.40			1028	408	1.44	4.6	1.55	58	11940	25.70	116	1.55	63	10834	23.32	116	1.95	GR179 GRF179	4P	74	9334	20.09			105	2.60	88			7842	16.88	105			3.45	101	6792	14.62	105	3.75	33	20629	44.87	114	0.85	GR169 GRF169	4P	37			18353			39.92			114	0.95	43	15820	34.41	114	1.10	53	12855	27.96	114	1.35	62	10901	23.71	114	1.55	60	11296	24.57	114	1.20	68	10046	21.85	114	1.25	GR169 GRF169							4P	78	8749	19.03	114	1.75	87	7807	16.98	114	1.85	102	6657	14.48	114	2.60	123	5512	11.99	111	2.90	145	4708	10.24	107	3.40	49	13770	29.95	54		0.90	GR149 GRF149		4P	61	11121	24.19	62	1.00			72	9397	20.44			65			1.20	GR149 GRF149	4P	82	8294	18.04	66	1.20	95	7191	15.64	67	1.70	106	6395	13.91	68	1.85	123	5512	11.99	69	2.20	152	4478	9.74	69	2.80	179	3798	8.26	70	3.20	204	3333	7.25	69	2.50	251	2708	5.89	67	3.00	296	2299	5.00	64	3.60	90kW							90kW							20			41626			75.96	128	0.80	GR179 GRF179	4P	22	36727	67.02	128	1.00	26	31412	57.32	128	1.10	31	26036	47.51	128	1.30	37	22315	40.72	128	1.60			45	18183	33.18	128	1.85	64	12914			23.32	116	1.60			74	11125	20.09	116	2.20	GR179 GRF179			4P	88	9348	16.88	105	2.90	102	8096	14.62			105	3.10	122	6745	12.18			98	4.45	37	21876	39.92	114	0.80			GR169 GRF169	4P	43	18857	34.41	114	0.90	53	15322	27.96	114			1.10	63	12993	23.71	114	1.30	61			13464	24.57	114	1.00	68	11974	21.85	114			1.00	GR169 GRF169	4P	78	10429	19.03	114	1.45	88	9305	16.98	114	1.50			103	7935	14.48	111	2.10	124	6571	11.99	108			2.40	146	5612	10.24	105	2.90	78	6419	19.04	45	1.20	GR139 GRF139	4P	88	5664	16.80	46	1.35	102	4892	14.51	46	1.55	115	4326	12.83	47	1.75	137	3638	10.79	46	2.10	170	2937	8.71	46	2.50	195	2559	7.59			46	1.90	232	2151	6.38	45	2.20	287	1736	5.15	43			2.50	493	1038	3.00	6.5	1.35	571	896	2.59	6.9	1.45	GRX139 GRXF139	4P	646	793	2.29	5.9	1.50	767	668	1.93	6.0	1.65		
865	484	1.71	4.3	1.40			1028	408	1.44	4.6	1.55			58	11940	25.70	116	1.55	63	10834	23.32	116	1.95	GR179 GRF179	4P	74	9334	20.09			105	2.60	88			7842	16.88	105			3.45	101	6792	14.62	105	3.75	33	20629	44.87	114	0.85	GR169 GRF169	4P	37	18353	39.92			114			0.95			43			15820	34.41	114	1.10	53	12855	27.96	114	1.35	62	10901	23.71	114	1.55	60	11296	24.57	114	1.20	68	10046	21.85	114	1.25	GR169 GRF169	4P	78									8749	19.03	114	1.75	87	7807	16.98	114	1.85	102	6657	14.48	114	2.60	123	5512	11.99	111	2.90	145	4708	10.24	107	3.40	49	13770	29.95	54	0.90	GR149 GRF149	4P		61		11121	24.19	62	1.00	72			9397	20.44	65			1.20			GR149 GRF149			4P	82	8294	18.04	66	1.20	95	7191	15.64	67	1.70	106	6395	13.91	68	1.85	123	5512	11.99	69	2.20	152	4478	9.74	69	2.80	179	3798	8.26	70	3.20	204	3333	7.25	69	2.50	251	2708	5.89	67	3.00	296	2299	5.00	64	3.60	90kW									90kW							20			41626	75.96	128			0.80	GR179 GRF179	4P	22	36727	67.02	128	1.00	26	31412	57.32	128	1.10	31	26036	47.51	128	1.30	37	22315	40.72	128	1.60	45	18183	33.18	128	1.85	64			12914	23.32	116			1.60	74	11125	20.09	116					2.20	GR179 GRF179	4P	88	9348	16.88	105	2.90			102	8096	14.62	105	3.10			122	6745	12.18	98	4.45	37	21876					39.92	114	0.80	GR169 GRF169	4P	43	18857	34.41	114			0.90	53	15322	27.96	114	1.10	63			12993	23.71	114	1.30	61	13464	24.57	114			1.00			68	11974	21.85	114	1.00	GR169 GRF169	4P	78	10429	19.03			114	1.45	88	9305	16.98	114	1.50	103	7935			14.48	111	2.10	124	6571	11.99	108	2.40	146	5612	10.24			105	2.90	78	6419	19.04	45	1.20	GR139 GRF139	4P	88	5664	16.80	46	1.35	102	4892	14.51	46	1.55	115	4326	12.83	47	1.75	137	3638	10.79	46	2.10	170	2937	8.71	46	2.50	195	2559	7.59	46	1.90	232	2151			6.38	45	2.20	287	1736	5.15	43	2.50	493	1038	3.00			6.5	1.35	571	896	2.59	6.9	1.45	GRX139 GRXF139	4P	646	793	2.29
1028	408	1.44	4.6	1.55			58	11940	25.70	116	1.55			63	10834	23.32	116	1.95	GR179 GRF179	4P	74	9334	20.09			105	2.60	88			7842	16.88	105			3.45	101	6792	14.62	105	3.75	33	20629	44.87	114	0.85	GR169 GRF169	4P	37	18353	39.92			114	0.95	43			15820			34.41			114			1.10	53	12855	27.96	114	1.35	62	10901	23.71	114	1.55	60	11296	24.57	114	1.20	68	10046	21.85	114	1.25	GR169 GRF169	4P	78			8749									19.03	114	1.75	87	7807	16.98	114	1.85	102	6657	14.48	114	2.60	123	5512	11.99	111	2.90	145	4708	10.24	107	3.40	49	13770	29.95	54	0.90	GR149 GRF149			4P	61	11121	24.19	62	1.00	72	9397			20.44	65	1.20			GR149 GRF149							4P	82	8294	18.04	66	1.20	95	7191	15.64	67	1.70	106	6395	13.91	68	1.85	123	5512	11.99	69	2.20	152	4478	9.74	69	2.80	179	3798	8.26	70	3.20	204	3333	7.25	69	2.50	251	2708	5.89	67	3.00	296	2299	5.00	64	3.60	90kW								90kW							20			41626	75.96	128			0.80			GR179 GRF179	4P	22	36727	67.02	128	1.00	26	31412	57.32	128	1.10	31	26036	47.51	128	1.30	37	22315	40.72	128	1.60	45	18183	33.18	128	1.85	64	12914	23.32	116			1.60	74	11125	20.09	116		2.20	GR179 GRF179		4P			88	9348	16.88	105	2.90			102	8096	14.62	105	3.10			122	6745	12.18	98	4.45	37	21876					39.92	114	0.80			GR169 GRF169	4P	43	18857			34.41	114	0.90	53	15322	27.96	114			1.10	63	12993	23.71	114	1.30	61	13464			24.57			114	1.00	68	11974	21.85			114	1.00	GR169 GRF169			4P	78	10429	19.03	114	1.45	88	9305	16.98			114	1.50	103	7935	14.48	111	2.10	124	6571	11.99	108			2.40	146	5612	10.24	105	2.90	78			6419	19.04	45	1.20	GR139 GRF139	4P	88	5664	16.80	46	1.35	102	4892	14.51	46	1.55	115	4326	12.83	47	1.75	137	3638	10.79	46	2.10	170	2937	8.71	46	2.50	195	2559	7.59	46	1.90	232	2151	6.38	45	2.20	287	1736	5.15	43			2.50	493	1038	3.00	6.5	1.35	571			896	2.59	6.9
58	11940	25.70	116	1.55			63	10834	23.32	116	1.95			GR179 GRF179	4P	74	9334	20.09			105	2.60	88			7842	16.88	105			3.45	101	6792	14.62	105	3.75	33	20629	44.87	114	0.85	GR169 GRF169	4P	37	18353	39.92			114	0.95	43			15820	34.41	114			1.10			53			12855	27.96	114	1.35	62	10901	23.71	114	1.55	60	11296	24.57	114	1.20	68	10046	21.85	114	1.25	GR169 GRF169	4P	78	8749	19.03			114			1.75				87	7807				16.98	114	1.85	102	6657	14.48	114	2.60	123	5512	11.99	111	2.90	145	4708	10.24	107	3.40	49	13770	29.95	54	0.90	GR149 GRF149	4P	61	11121	24.19		62	1.00		72	9397	20.44	65	1.20	GR149 GRF149	4P			82	8294	18.04											66	1.20	95	7191	15.64	67	1.70	106	6395	13.91	68	1.85	123	5512	11.99	69	2.20	152	4478	9.74	69	2.80	179	3798	8.26	70	3.20	204	3333	7.25	69	2.50	251	2708	5.89	67	3.00	296	2299	5.00	64	3.60	90kW							90kW							20	41626			75.96			128	0.80	GR179 GRF179			4P					22	36727	67.02	128	1.00	26	31412	57.32	128	1.10	31	26036	47.51	128	1.30	37	22315	40.72	128	1.60	45	18183	33.18	128	1.85	64	12914	23.32	116	1.60	74	11125	20.09	116	2.20	GR179 GRF179		4P						88	9348	16.88	105	2.90	102	8096	14.62	105	3.10	122	6745			12.18	98	4.45	37	21876	39.92	114					0.80	GR169 GRF169	4P					43	18857			34.41	114	0.90	53	15322	27.96	114			1.10	63	12993	23.71	114	1.30	61	13464			24.57			114	1.00	68	11974	21.85			114	1.00					GR169 GRF169	4P	78	10429	19.03	114	1.45	88			9305	16.98	114	1.50	103	7935	14.48	111	2.10	124	6571			11.99	108	2.40	146	5612	10.24	105			2.90	78	6419	19.04			45	1.20	GR139 GRF139	4P	88	5664	16.80	46	1.35	102	4892	14.51	46	1.55	115	4326	12.83	47	1.75	137	3638	10.79	46	2.10	170	2937	8.71	46	2.50	195	2559	7.59	46	1.90	232	2151	6.38	45	2.20	287	1736	5.15	43	2.50	493	1038	3.00	6.5			1.35	571	896
63	10834	23.32	116	1.95	GR179 GRF179	4P																																																																																																																																																																																																																																																																																																																																																																																																																																												
74	9334	20.09	105	2.60																																																																																																																																																																																																																																																																																																																																																																																																																																														
88	7842	16.88	105	3.45																																																																																																																																																																																																																																																																																																																																																																																																																																														
101	6792	14.62	105	3.75			33	20629	44.87	114	0.85	GR169 GRF169	4P	37	18353	39.92	114	0.95	43	15820	34.41	114	1.10	53	12855	27.96	114	1.35	62	10901	23.71	114	1.55	60	11296	24.57	114	1.20	68	10046	21.85			114	1.25	GR169 GRF169			4P	78	8749	19.03	114	1.75	87	7807	16.98	114	1.85	102	6657	14.48	114	2.60	123	5512	11.99	111	2.90	145	4708	10.24	107	3.40	49	13770	29.95	54	0.90	GR149 GRF149	4P	61	11121			24.19	62	1.00			72	9397	20.44	65	1.20	GR149 GRF149	4P	82	8294	18.04	66	1.20	95	7191	15.64	67	1.70	106	6395	13.91	68	1.85	123	5512	11.99	69	2.20	152	4478	9.74	69	2.80	179	3798	8.26	70	3.20	204	3333	7.25	69	2.50	251	2708	5.89	67	3.00	296	2299			5.00	64	3.60	90kW												90kW							20	41626	75.96	128	0.80	GR179 GRF179	4P	22	36727	67.02	128	1.00	26	31412	57.32	128	1.10	31	26036	47.51	128	1.30	37	22315	40.72	128	1.60	45	18183	33.18	128	1.85	64	12914	23.32	116	1.60	74	11125	20.09	116	2.20	GR179 GRF179	4P	88	9348	16.88	105	2.90	102	8096	14.62	105	3.10	122	6745	12.18	98		4.45	37		21876	39.92			114	0.80	GR169 GRF169	4P	43	18857	34.41	114	0.90	53	15322	27.96	114	1.10	63	12993	23.71	114	1.30	61	13464	24.57	114	1.00	68	11974	21.85	114	1.00	GR169 GRF169	4P	78	10429	19.03	114	1.45	88	9305	16.98	114	1.50	103	7935	14.48	111	2.10	124	6571	11.99	108	2.40	146	5612	10.24	105	2.90	78	6419	19.04	45	1.20	GR139 GRF139	4P	88	5664	16.80	46	1.35	102			4892	14.51	46	1.55	115	4326	12.83	47	1.75	137	3638	10.79	46	2.10	170	2937	8.71	46	2.50	195	2559	7.59	46	1.90	232	2151	6.38	45	2.20	287	1736	5.15	43	2.50	493			1038	3.00							6.5	1.35	571	896	2.59	6.9			1.45	GRX139 GRXF139	4P	646	793	2.29	5.9	1.50	767	668	1.93			6.0	1.65																																																																		
33	20629	44.87	114	0.85	GR169 GRF169	4P																																																																																																																																																																																																																																																																																																																																																																																																																																												
37	18353	39.92	114	0.95																																																																																																																																																																																																																																																																																																																																																																																																																																														
43	15820	34.41	114	1.10																																																																																																																																																																																																																																																																																																																																																																																																																																														
53	12855	27.96	114	1.35																																																																																																																																																																																																																																																																																																																																																																																																																																														
62	10901	23.71	114	1.55																																																																																																																																																																																																																																																																																																																																																																																																																																														
60	11296	24.57	114	1.20			68	10046	21.85	114	1.25	GR169 GRF169	4P	78	8749	19.03	114	1.75	87	7807	16.98	114	1.85	102	6657	14.48	114	2.60	123	5512	11.99	111	2.90	145	4708	10.24	107	3.40	49	13770	29.95	54	0.90	GR149 GRF149	4P	61	11121	24.19	62	1.00	72	9397	20.44	65	1.20	GR149 GRF149	4P	82	8294	18.04	66	1.20	95	7191	15.64	67	1.70	106	6395	13.91	68	1.85	123	5512	11.99	69	2.20	152	4478	9.74	69	2.80	179	3798	8.26	70	3.20	204	3333	7.25	69	2.50	251	2708	5.89			67	3.00	296	2299	5.00	64	3.60	90kW							90kW							20	41626	75.96	128	0.80	GR179 GRF179	4P	22	36727	67.02	128	1.00	26	31412	57.32	128	1.10	31	26036	47.51	128	1.30	37	22315	40.72	128	1.60	45	18183	33.18	128	1.85	64	12914	23.32	116	1.60	74	11125	20.09	116	2.20	GR179 GRF179	4P	88	9348	16.88	105	2.90	102	8096	14.62	105	3.10	122	6745	12.18	98	4.45	37	21876	39.92	114	0.80	GR169 GRF169	4P	43	18857	34.41	114	0.90	53	15322	27.96	114	1.10	63	12993	23.71	114	1.30	61	13464	24.57	114	1.00	68	11974	21.85	114	1.00	GR169 GRF169	4P	78	10429	19.03	114	1.45	88	9305	16.98	114	1.50	103	7935	14.48	111	2.10	124	6571	11.99	108	2.40	146	5612	10.24	105	2.90	78	6419	19.04	45	1.20	GR139 GRF139	4P	88	5664	16.80	46	1.35	102	4892	14.51	46	1.55	115	4326	12.83	47	1.75			137	3638	10.79	46	2.10	170	2937	8.71	46	2.50	195	2559	7.59	46	1.90	232	2151	6.38	45	2.20	287	1736	5.15	43	2.50	493	1038	3.00	6.5	1.35			571	896	2.59	6.9	1.45	GRX139 GRXF139	4P	646	793	2.29	5.9	1.50	767	668	1.93	6.0	1.65																																																																																																																													
68	10046	21.85	114	1.25	GR169 GRF169	4P																																																																																																																																																																																																																																																																																																																																																																																																																																												
78	8749	19.03	114	1.75																																																																																																																																																																																																																																																																																																																																																																																																																																														
87	7807	16.98	114	1.85																																																																																																																																																																																																																																																																																																																																																																																																																																														
102	6657	14.48	114	2.60																																																																																																																																																																																																																																																																																																																																																																																																																																														
123	5512	11.99	111	2.90																																																																																																																																																																																																																																																																																																																																																																																																																																														
145	4708	10.24	107	3.40			49	13770	29.95	54	0.90	GR149 GRF149	4P	61	11121	24.19	62	1.00	72	9397	20.44	65	1.20	GR149 GRF149	4P	82	8294	18.04	66	1.20	95	7191	15.64	67	1.70	106	6395	13.91	68	1.85	123	5512	11.99	69	2.20	152	4478	9.74	69	2.80	179	3798	8.26	70	3.20			204	3333	7.25	69	2.50	251	2708	5.89	67	3.00	296	2299	5.00	64	3.60	90kW							90kW							20	41626	75.96	128	0.80	GR179 GRF179	4P	22	36727	67.02	128	1.00	26	31412	57.32	128	1.10	31	26036	47.51	128	1.30	37	22315	40.72	128	1.60	45	18183	33.18	128	1.85	64	12914	23.32	116	1.60	74	11125	20.09	116	2.20	GR179 GRF179	4P	88	9348	16.88	105	2.90	102	8096	14.62	105	3.10	122	6745	12.18	98	4.45	37	21876	39.92	114	0.80	GR169 GRF169	4P	43	18857	34.41	114	0.90	53	15322	27.96	114	1.10	63	12993	23.71	114	1.30	61	13464	24.57	114	1.00	68	11974	21.85	114	1.00	GR169 GRF169	4P	78	10429	19.03	114	1.45	88	9305	16.98	114	1.50	103	7935	14.48	111	2.10	124	6571	11.99	108	2.40	146	5612	10.24	105	2.90	78	6419	19.04	45	1.20			GR139 GRF139	4P	88	5664	16.80	46	1.35	102	4892	14.51	46	1.55	115	4326	12.83	47	1.75	137	3638	10.79	46	2.10	170	2937	8.71	46	2.50	195	2559	7.59			46	1.90	232	2151	6.38	45	2.20	287	1736	5.15	43	2.50	493	1038	3.00	6.5	1.35	571	896	2.59	6.9	1.45	GRX139 GRXF139	4P	646	793	2.29	5.9	1.50	767	668	1.93	6.0	1.65																																																																																																																																																													
49	13770	29.95	54	0.90	GR149 GRF149	4P																																																																																																																																																																																																																																																																																																																																																																																																																																												
61	11121	24.19	62	1.00																																																																																																																																																																																																																																																																																																																																																																																																																																														
72	9397	20.44	65	1.20	GR149 GRF149	4P																																																																																																																																																																																																																																																																																																																																																																																																																																												
82	8294	18.04	66	1.20																																																																																																																																																																																																																																																																																																																																																																																																																																														
95	7191	15.64	67	1.70																																																																																																																																																																																																																																																																																																																																																																																																																																														
106	6395	13.91	68	1.85																																																																																																																																																																																																																																																																																																																																																																																																																																														
123	5512	11.99	69	2.20																																																																																																																																																																																																																																																																																																																																																																																																																																														
152	4478	9.74	69	2.80																																																																																																																																																																																																																																																																																																																																																																																																																																														
179	3798	8.26	70	3.20																																																																																																																																																																																																																																																																																																																																																																																																																																														
204	3333	7.25	69	2.50																																																																																																																																																																																																																																																																																																																																																																																																																																														
251	2708	5.89	67	3.00																																																																																																																																																																																																																																																																																																																																																																																																																																														
296	2299	5.00	64	3.60																																																																																																																																																																																																																																																																																																																																																																																																																																														
90kW							90kW																																																																																																																																																																																																																																																																																																																																																																																																																																											
20	41626	75.96	128	0.80	GR179 GRF179	4P	22	36727	67.02	128	1.00																																																																																																																																																																																																																																																																																																																																																																																																																																							
26	31412	57.32	128	1.10																																																																																																																																																																																																																																																																																																																																																																																																																																														
31	26036	47.51	128	1.30																																																																																																																																																																																																																																																																																																																																																																																																																																														
37	22315	40.72	128	1.60																																																																																																																																																																																																																																																																																																																																																																																																																																														
45	18183	33.18	128	1.85																																																																																																																																																																																																																																																																																																																																																																																																																																														
64	12914	23.32	116	1.60																																																																																																																																																																																																																																																																																																																																																																																																																																														
74	11125	20.09	116	2.20	GR179 GRF179	4P																																																																																																																																																																																																																																																																																																																																																																																																																																												
88	9348	16.88	105	2.90																																																																																																																																																																																																																																																																																																																																																																																																																																														
102	8096	14.62	105	3.10																																																																																																																																																																																																																																																																																																																																																																																																																																														
122	6745	12.18	98	4.45																																																																																																																																																																																																																																																																																																																																																																																																																																														
37	21876	39.92	114	0.80	GR169 GRF169	4P																																																																																																																																																																																																																																																																																																																																																																																																																																												
43	18857	34.41	114	0.90																																																																																																																																																																																																																																																																																																																																																																																																																																														
53	15322	27.96	114	1.10																																																																																																																																																																																																																																																																																																																																																																																																																																														
63	12993	23.71	114	1.30																																																																																																																																																																																																																																																																																																																																																																																																																																														
61	13464	24.57	114	1.00																																																																																																																																																																																																																																																																																																																																																																																																																																														
68	11974	21.85	114	1.00	GR169 GRF169	4P																																																																																																																																																																																																																																																																																																																																																																																																																																												
78	10429	19.03	114	1.45																																																																																																																																																																																																																																																																																																																																																																																																																																														
88	9305	16.98	114	1.50																																																																																																																																																																																																																																																																																																																																																																																																																																														
103	7935	14.48	111	2.10																																																																																																																																																																																																																																																																																																																																																																																																																																														
124	6571	11.99	108	2.40																																																																																																																																																																																																																																																																																																																																																																																																																																														
146	5612	10.24	105	2.90																																																																																																																																																																																																																																																																																																																																																																																																																																														
78	6419	19.04	45	1.20			GR139 GRF139	4P																																																																																																																																																																																																																																																																																																																																																																																																																																										
88	5664	16.80	46	1.35																																																																																																																																																																																																																																																																																																																																																																																																																																														
102	4892	14.51	46	1.55																																																																																																																																																																																																																																																																																																																																																																																																																																														
115	4326	12.83	47	1.75																																																																																																																																																																																																																																																																																																																																																																																																																																														
137	3638	10.79	46	2.10																																																																																																																																																																																																																																																																																																																																																																																																																																														
170	2937	8.71	46	2.50																																																																																																																																																																																																																																																																																																																																																																																																																																														
195	2559	7.59	46	1.90																																																																																																																																																																																																																																																																																																																																																																																																																																														
232	2151	6.38	45	2.20																																																																																																																																																																																																																																																																																																																																																																																																																																														
287	1736	5.15	43	2.50																																																																																																																																																																																																																																																																																																																																																																																																																																														
493	1038	3.00	6.5	1.35																																																																																																																																																																																																																																																																																																																																																																																																																																														
571	896	2.59	6.9	1.45	GRX139 GRXF139	4P																																																																																																																																																																																																																																																																																																																																																																																																																																												
646	793	2.29	5.9	1.50																																																																																																																																																																																																																																																																																																																																																																																																																																														
767	668	1.93	6.0	1.65																																																																																																																																																																																																																																																																																																																																																																																																																																														

选型参数表
(恒功率)
Selection Table
(Constant Power)

n_a [r/min]	M_a [N.m]	i	F_{Ra} [kN]	f_B	机型号 Type size	极数 Pole	n_a [r/min]	M_a [N.m]	i	F_{Ra} [kN]	f_B	机型号 Type size	极数 Pole																																																																																																																																																																																																
90kW							110kW																																																																																																																																																																																																						
73	11201	20.44	62	1.00	GR149 GRF149	4P	78	12746	19.03	110	1.20	GR169 GRF169	4P																																																																																																																																																																																																
83	9886	18.04	64	1.00			95	8571	15.64	66	1.45			107	7623	13.91	67	1.55	124	6571	11.99	68	1.85	153	5338	9.74	69	2.30	180	4527	8.26	69	2.70	206	3973	7.25	67	2.10	253	3228	5.89	65	2.50	296	2740	5.00	63	3.00	110kW							132kW							26	38392	57.32	128	0.90	GR179 GRF179	4P	31	38186	47.51	128	0.90	GR179 GRF179	4P	31	31821	47.51	128	1.05	37	27274	40.72	128	1.30	45	22223	33.18	128	1.50	64	15784	23.32	116	1.35	GR179 GRF179	4P	37	32728	40.72	128	1.05	GR179 GRF179	4P	74	13598	20.09	116	1.80	88	11425	16.88	105	2.35	102	9895	14.62	105	2.55	122	8244	12.18	98	3.70	148	7026	10.38	85	5.10	110kW							160kW							53	18727	27.96	111	0.90	GR169 GRF169	4P	88	13710	16.88	116	1.60	GR179 GRF179	4P	63	15881	23.71	111	1.05								102	11874	14.62	105	1.75								122	9893	12.18	98	2.50								144	8431	10.38	85	3.50						
95	8571	15.64	66	1.45			107	7623	13.91	67	1.55			124	6571	11.99	68	1.85	153	5338	9.74	69	2.30	180	4527	8.26	69	2.70	206	3973	7.25	67	2.10	253	3228	5.89	65	2.50	296	2740	5.00	63	3.00	110kW							132kW							26	38392	57.32	128	0.90	GR179 GRF179	4P	31	38186	47.51			128	0.90	GR179 GRF179	4P	31			31821	47.51	128	1.05	37	27274	40.72	128	1.30	45	22223	33.18	128	1.50	64	15784	23.32	116	1.35	GR179 GRF179			4P	37	32728	40.72	128			1.05	GR179 GRF179	4P	74	13598	20.09	116	1.80	88	11425	16.88	105	2.35	102	9895	14.62	105	2.55	122	8244	12.18	98	3.70	148	7026	10.38	85	5.10	110kW							160kW							53	18727			27.96	111	0.90	GR169 GRF169	4P			88	13710	16.88	116	1.60	GR179 GRF179	4P	63	15881	23.71	111	1.05								102	11874	14.62	105	1.75								122	9893	12.18	98	2.50								144	8431	10.38	85
107	7623	13.91	67	1.55			124	6571	11.99	68	1.85			153	5338	9.74	69	2.30	180	4527	8.26	69	2.70	206	3973	7.25	67	2.10	253	3228	5.89	65	2.50	296	2740	5.00	63	3.00	110kW							132kW							26	38392	57.32	128	0.90	GR179 GRF179	4P	31	38186	47.51			128	0.90	GR179 GRF179			4P	31			31821			47.51	128	1.05	37	27274	40.72	128	1.30	45	22223	33.18	128	1.50	64	15784	23.32	116	1.35	GR179 GRF179					4P	37	32728	40.72			128			1.05	GR179 GRF179	4P	74	13598	20.09	116	1.80	88	11425	16.88	105	2.35	102	9895	14.62	105	2.55	122	8244	12.18	98	3.70	148	7026	10.38	85	5.10	110kW							160kW							53	18727	27.96	111					0.90	GR169 GRF169	4P	88	13710			16.88	116	1.60	GR179 GRF179	4P	63	15881	23.71	111	1.05								102	11874	14.62	105	1.75								122	9893	12.18	98	2.50						
124	6571	11.99	68	1.85			153	5338	9.74	69	2.30			180	4527	8.26	69	2.70	206	3973	7.25	67	2.10	253	3228	5.89	65	2.50	296	2740	5.00	63	3.00	110kW							132kW							26	38392	57.32	128	0.90	GR179 GRF179	4P	31	38186	47.51			128	0.90	GR179 GRF179			4P	31					31821			47.51	128	1.05	37	27274	40.72	128	1.30	45	22223	33.18	128	1.50	64	15784	23.32	116	1.35	GR179 GRF179	4P	37							32728	40.72	128	1.05	GR179 GRF179	4P			74			13598	20.09	116	1.80	88	11425	16.88	105	2.35	102	9895	14.62	105	2.55	122	8244	12.18	98	3.70	148	7026	10.38	85	5.10	110kW							160kW							53	18727	27.96	111	0.90	GR169 GRF169	4P			88			13710	16.88			116	1.60	GR179 GRF179			4P	63	15881	23.71	111	1.05								102	11874	14.62	105	1.75								122	9893	12.18	98	2.50					
153	5338	9.74	69	2.30			180	4527	8.26	69	2.70			206	3973	7.25	67	2.10	253	3228	5.89	65	2.50	296	2740	5.00	63	3.00	110kW							132kW							26	38392	57.32	128	0.90	GR179 GRF179	4P	31	38186	47.51			128	0.90	GR179 GRF179			4P	31					31821		47.51	128		1.05	37	27274	40.72	128	1.30	45	22223	33.18	128	1.50	64	15784	23.32	116	1.35	GR179 GRF179	4P	37	32728	40.72			128							1.05	GR179 GRF179	4P	74			13598	20.09	116			1.80	88	11425	16.88	105	2.35	102	9895	14.62	105	2.55	122	8244	12.18	98	3.70	148	7026	10.38	85	5.10	110kW							160kW							53	18727	27.96	111	0.90	GR169 GRF169	4P	88			13710	16.88	116	1.60	GR179 GRF179	4P	63			15881	23.71					111	1.05								102	11874	14.62	105	1.75								122	9893	12.18	98	2.50								144
180	4527	8.26	69	2.70			206	3973	7.25	67	2.10	253	3228	5.89	65	2.50	296	2740	5.00	63	3.00	110kW							132kW							26	38392	57.32	128	0.90	GR179 GRF179	4P	31	38186	47.51	128	0.90			GR179 GRF179	4P	31			31821	47.51					128		1.05	37		27274	40.72	128	1.30	45	22223	33.18	128	1.50	64	15784	23.32	116	1.35	GR179 GRF179	4P	37	32728	40.72	128	1.05			GR179 GRF179	4P	74			13598							20.09			116			1.80	88	11425	16.88	105	2.35	102	9895	14.62	105	2.55	122	8244	12.18	98	3.70	148	7026	10.38	85	5.10	110kW							160kW							53	18727	27.96	111	0.90	GR169 GRF169	4P	88	13710	16.88			116	1.60	GR179 GRF179	4P	63	15881	23.71			111	1.05								102	11874	14.62	105	1.75								122	9893	12.18	98	2.50								144	8431	10.38	85	3.50					
206	3973	7.25	67	2.10			253	3228	5.89	65	2.50	296	2740	5.00	63	3.00	110kW							132kW							26	38392	57.32	128	0.90	GR179 GRF179	4P	31	38186	47.51			128	0.90	GR179 GRF179	4P	31					31821			47.51	128		1.05	37		27274	40.72	128	1.30	45	22223	33.18	128	1.50	64	15784	23.32	116	1.35	GR179 GRF179	4P	37	32728	40.72			128	1.05	GR179 GRF179	4P	74					13598			20.09			116	1.80			88			11425	16.88	105	2.35	102	9895	14.62	105	2.55	122	8244	12.18	98	3.70	148	7026	10.38	85	5.10	110kW							160kW							53	18727	27.96	111	0.90	GR169 GRF169	4P	88	13710	16.88			116	1.60	GR179 GRF179	4P	63	15881	23.71			111	1.05								102		11874	14.62		105	1.75								122	9893	12.18	98	2.50								144	8431	10.38	85	3.50								
253	3228	5.89	65	2.50			296	2740	5.00	63	3.00	110kW							132kW							26	38392	57.32	128	0.90	GR179 GRF179	4P	31	38186	47.51			128	0.90	GR179 GRF179			4P	31			31821					47.51	128	1.05	37	27274	40.72	128	1.30	45	22223	33.18	128	1.50	64	15784	23.32	116	1.35	GR179 GRF179	4P	37	32728	40.72			128	1.05	GR179 GRF179			4P	74			13598					20.09			116		1.80	88	11425	16.88		105	2.35	102	9895	14.62	105	2.55	122	8244	12.18	98	3.70	148	7026	10.38	85	5.10	110kW							160kW							53	18727	27.96	111	0.90	GR169 GRF169	4P	88	13710	16.88			116	1.60	GR179 GRF179	4P	63	15881	23.71			111	1.05									102	11874	14.62	105	1.75								122	9893	12.18	98	2.50								144	8431	10.38	85	3.50														
296	2740	5.00	63	3.00			110kW							132kW							26	38392	57.32	128	0.90	GR179 GRF179	4P	31	38186	47.51			128	0.90	GR179 GRF179			4P	31					31821			47.51	128	1.05	37	27274	40.72	128	1.30	45	22223	33.18	128	1.50	64	15784	23.32	116	1.35	GR179 GRF179	4P	37	32728	40.72			128	1.05	GR179 GRF179			4P	74					13598			20.09			116	1.80	88			11425	16.88	105	2.35	102	9895	14.62	105	2.55	122	8244	12.18	98	3.70	148	7026	10.38	85	5.10	110kW							160kW							53	18727	27.96	111	0.90	GR169 GRF169	4P	88	13710	16.88			116	1.60	GR179 GRF179	4P	63	15881	23.71			111	1.05									102	11874	14.62	105	1.75								122	9893	12.18	98	2.50								144	8431	10.38	85	3.50																			
110kW							132kW																																																																																																																																																																																																						
26	38392	57.32	128	0.90	GR179 GRF179	4P	31	38186	47.51	128	0.90	GR179 GRF179	4P																																																																																																																																																																																																
31	31821	47.51	128	1.05			37	27274	40.72	128	1.30			45	22223	33.18	128	1.50	64	15784	23.32	116	1.35	GR179 GRF179	4P			37	32728	40.72	128	1.05	GR179 GRF179	4P	74	13598	20.09	116	1.80	88	11425	16.88	105	2.35	102	9895	14.62	105	2.55	122	8244	12.18	98	3.70	148	7026	10.38	85	5.10	110kW							160kW							53			18727	27.96	111	0.90	GR169 GRF169	4P	88	13710	16.88	116	1.60	GR179 GRF179	4P	63	15881	23.71	111	1.05								102	11874	14.62	105	1.75								122	9893	12.18	98	2.50								144	8431	10.38	85	3.50																																																																											
37	27274	40.72	128	1.30			45	22223	33.18	128	1.50			64	15784	23.32	116	1.35	GR179 GRF179	4P	37	32728	40.72			128	1.05	GR179 GRF179	4P	74	13598	20.09			116	1.80	88	11425	16.88	105	2.35	102	9895	14.62	105	2.55	122	8244	12.18	98	3.70	148	7026	10.38	85	5.10	110kW							160kW								53	18727	27.96	111	0.90	GR169 GRF169	4P	88	13710			16.88	116	1.60	GR179 GRF179	4P			63	15881	23.71	111	1.05								102	11874	14.62	105	1.75								122	9893	12.18	98	2.50								144	8431	10.38	85	3.50																																																																											
45	22223	33.18	128	1.50			64	15784	23.32	116	1.35	GR179 GRF179	4P	37	32728	40.72	128	1.05			GR179 GRF179	4P	74			13598	20.09			116	1.80	88			11425	16.88	105	2.35	102	9895	14.62	105	2.55	122	8244	12.18	98	3.70	148	7026	10.38	85	5.10	110kW							160kW							53	18727	27.96	111	0.90	GR169 GRF169	4P	88	13710			16.88	116	1.60	GR179 GRF179	4P	63	15881					23.71	111	1.05								102	11874	14.62	105	1.75								122	9893	12.18	98	2.50								144	8431	10.38	85	3.50																																																																													
64	15784	23.32	116	1.35	GR179 GRF179	4P	37	32728	40.72	128	1.05			GR179 GRF179	4P																																																																																																																																																																																														
74	13598	20.09	116	1.80			88	11425	16.88	105	2.35					102	9895	14.62					105			2.55	122	8244	12.18	98	3.70	148	7026	10.38	85	5.10	110kW							160kW							53	18727	27.96	111	0.90	GR169 GRF169	4P	88	13710	16.88	116	1.60	GR179 GRF179	4P	63	15881	23.71	111	1.05								102	11874	14.62	105	1.75										122	9893	12.18	98	2.50								144	8431	10.38	85	3.50																																																																																																		
88	11425	16.88	105	2.35			102	9895	14.62	105	2.55					122	8244	12.18			98	3.70	148			7026	10.38	85	5.10	110kW							160kW							53	18727	27.96	111	0.90	GR169 GRF169	4P	88	13710	16.88	116	1.60			GR179 GRF179	4P	63	15881	23.71			111	1.05								102	11874	14.62	105	1.75								122	9893	12.18	98	2.50								144	8431	10.38	85	3.50																																																																																																							
102	9895	14.62	105	2.55			122	8244	12.18	98	3.70			148	7026	10.38	85	5.10			110kW							160kW							53	18727	27.96	111	0.90	GR169 GRF169	4P	88	13710	16.88	116	1.60	GR179 GRF179	4P			63	15881	23.71	111	1.05										102	11874	14.62	105	1.75								122	9893	12.18	98	2.50								144	8431	10.38	85	3.50																																																																																																																
122	8244	12.18	98	3.70			148	7026	10.38	85	5.10			110kW							160kW							53	18727	27.96	111	0.90	GR169 GRF169	4P	88	13710	16.88	116	1.60			GR179 GRF179	4P	63	15881	23.71			111	1.05										102	11874	14.62			105	1.75								122	9893	12.18	98	2.50								144	8431	10.38	85	3.50																																																																																																																			
148	7026	10.38	85	5.10			110kW							160kW							53	18727	27.96	111	0.90	GR169 GRF169	4P	88	13710	16.88	116	1.60			GR179 GRF179	4P	63	15881	23.71	111	1.05										102	11874	14.62	105	1.75								122	9893	12.18	98	2.50								144	8431	10.38	85	3.50																																																																																																																														
110kW							160kW																																																																																																																																																																																																						
53	18727	27.96	111	0.90	GR169 GRF169	4P	88	13710	16.88	116	1.60	GR179 GRF179	4P																																																																																																																																																																																																
63	15881	23.71	111	1.05										102	11874	14.62	105	1.75								122	9893	12.18	98	2.50								144	8431	10.38	85	3.50																																																																																																																																																																			
							102	11874	14.62	105	1.75										122	9893	12.18	98	2.50								144	8431	10.38	85	3.50																																																																																																																																																																								
							122	9893	12.18	98	2.50										144	8431	10.38	85	3.50																																																																																																																																																																																				
							144	8431	10.38	85	3.50																																																																																																																																																																																																		

选型参数表
(恒转矩)
Selection Table
(Constant Torque)

M_{amax} [N.m]	n_a [r/min]	i	F_{Ra} [kN]	机型号 Type size	P [kW]/4P	M_{amax} [N.m]	n_a [r/min]	i	F_{Ra} [kN]	机型号 Type size	P [kW]/4P																																																																																																																																																																																																																																																																																																																																																																																																																																																										
130	0.16	8612	4	GR29R19 GRF29R19	0.12	200	4.8	289	4.7	GR39R19 GRF39R19	0.18																																																																																																																																																																																																																																																																																																																																																																																																																																																										
	0.19	7425	4				0.20	6921	4			0.23	6050	4	0.27	5217	4	0.30	4661	4	0.34	4073	4	0.40	3516	4	0.44	3160	4	0.50	2763	4	0.58	2414	4	0.66	2110	4	0.76	1822	4	GR29R19 GRF29R19	0.12	0.88	1580	4	0.95	1464	4	1.1	1270	4	1.3	1100	4	1.4	972	4	1.7	840	4	1.9	741	4	2.1	654	4	2.5	566	4	2.8	499	4	3.2	440	4	3.6	381	4	4.2	329	4	4.8	290	4	5.4	256	4	6.1	227	4	6.8	203	4	7.8	179	4	8.9	156	4	GR29R19 GRF29R19	0.18	10	135	4	12	118	4	13	104	4	GR29R19 GRF29R19	0.25	15	90	4	200	0.16	8595	4.7	GR39R19 GRF39R19	0.12	0.10	13598	5.1	GR49R39 GRF49R39	0.12	0.19	7411	4.7	0.20	6907	4.7	0.23	6038	4.7	0.27	5206	4.7	0.30	4651	4.7	0.34	4065	4.7	0.38	3658	4.7	0.44	3154	4.7	0.50	2757	4.7	0.58	2409	4.7	0.66	2106	4.7	0.76	1818	4.7	0.88	1576	4.7	1.0	1359	4.7	1.1	1267	4.7	1.3	1098	4.7	1.4	970	4.7	1.7	839	4.7	1.9	740	4.7	2.1	653	4.7	2.4	577	4.7	2.8	498	4.7	3.2	439	4.7	3.7	378	4.7	GR39R19 GRF39R19	0.12	4.2	328	4.7	2.5	5624	5.1	GR49R39 GRF49R39	0.12	2.8	502	5.1	3.2	429	5.1	3.7	372	5.1	4.0	348	5.1	4.6	301	5.1	5.5	255	5.1	6.1	228	5.1	0.11	12472	5.1	GR59R39 GRF59R39	0.12	0.13	10619	5.1	0.15	9155	5.1	0.16	8534	5.1	0.19	7460	5.1	0.20	6993	5.1	0.23	6171	5.1	0.25	5624	5.1	0.29	4849	5.1	0.31	4520	5.1	0.35	3951	5.1	0.38	3704	5.1	0.43	3268	5.1	0.48	2898	5.1	0.56	2463	5.1	0.54	2598	5.1	0.58	2383	5.1	0.69	2029	5.1	0.79	1749	5.1	0.85	1630	5.1	0.98	1425	5.1	1.0	1336	5.1	1.2	1179	5.1	1.3	1074	5.1	1.5	927	5.1	1.6	863	5.1	1.8	755	5.1	2.5	546	5.1	2.8	502	5.1	3.2	429	5.1	3.7	372	5.1	4.0	348	5.1	4.6	301	5.1	5.5	255	5.1	6.1	228	5.1	0.10	14369	6.7	0.11	12095	6.7	0.13	10860	6.7	0.15	9445	6.7	0.16	8480	6.7	0.19	7312	6.7	0.21	6521	6.7	0.25	5585	6.7	0.28	4928	6.7	0.32	4378	6.7	0.36	3873	6.7	0.42	3344	6.7	0.48	2907	6.7	0.54	2567	6.7	0.62	2244	6.7	0.71	1967	6.7																																																																				
	0.20	6921	4				0.23	6050	4			0.27	5217	4	0.30	4661	4	0.34	4073	4	0.40	3516	4	0.44	3160	4	0.50	2763	4	0.58	2414	4	0.66	2110	4	0.76	1822	4	GR29R19 GRF29R19	0.12	0.88			1580	4	0.95	1464	4	1.1	1270	4	1.3	1100	4	1.4	972	4	1.7	840	4	1.9	741	4	2.1	654	4	2.5	566	4	2.8	499	4	3.2	440	4	3.6	381	4	4.2	329	4	4.8	290	4	5.4	256	4	6.1	227	4	6.8	203	4	7.8	179	4	8.9	156	4	GR29R19 GRF29R19			0.18	10	135	4	12	118	4	13	104			4	GR29R19 GRF29R19	0.25		15	90	4			200	0.16	8595			4.7	GR39R19 GRF39R19	0.12	0.10	13598	5.1	GR49R39 GRF49R39	0.12	0.19	7411	4.7	0.20	6907	4.7	0.23	6038	4.7	0.27	5206	4.7	0.30	4651	4.7	0.34	4065	4.7	0.38	3658	4.7	0.44	3154	4.7	0.50	2757	4.7	0.58	2409	4.7	0.66	2106	4.7	0.76	1818	4.7	0.88	1576	4.7	1.0	1359	4.7	1.1	1267	4.7	1.3	1098	4.7	1.4	970	4.7	1.7	839	4.7	1.9	740	4.7	2.1	653	4.7	2.4	577	4.7	2.8			498	4.7	3.2	439	4.7	3.7			378	4.7	GR39R19 GRF39R19	0.12	4.2	328	4.7	2.5	5624	5.1	GR49R39 GRF49R39	0.12	2.8	502	5.1	3.2	429	5.1	3.7	372	5.1	4.0	348	5.1			4.6	301	5.1	5.5	255	5.1	6.1	228	5.1	0.11	12472	5.1	GR59R39 GRF59R39	0.12	0.13	10619	5.1	0.15	9155	5.1	0.16	8534	5.1	0.19	7460	5.1	0.20	6993	5.1	0.23	6171	5.1	0.25	5624	5.1	0.29	4849	5.1	0.31	4520	5.1	0.35	3951	5.1	0.38	3704	5.1	0.43	3268	5.1	0.48	2898	5.1	0.56	2463	5.1	0.54	2598	5.1	0.58	2383	5.1	0.69	2029	5.1	0.79	1749	5.1	0.85	1630	5.1	0.98	1425	5.1	1.0	1336	5.1	1.2	1179	5.1	1.3	1074	5.1	1.5	927	5.1	1.6	863	5.1	1.8	755	5.1	2.5	546	5.1	2.8	502	5.1	3.2	429	5.1	3.7	372	5.1	4.0	348	5.1	4.6	301	5.1	5.5	255	5.1	6.1	228	5.1	0.10	14369	6.7	0.11	12095	6.7	0.13	10860	6.7	0.15	9445	6.7	0.16	8480	6.7	0.19	7312	6.7	0.21	6521	6.7	0.25	5585	6.7	0.28	4928	6.7	0.32	4378	6.7	0.36	3873	6.7	0.42	3344	6.7	0.48	2907	6.7	0.54	2567	6.7	0.62	2244	6.7	0.71	1967	6.7																																																						
	0.23	6050	4				0.27	5217	4			0.30	4661	4	0.34	4073	4	0.40	3516	4	0.44	3160	4	0.50	2763	4	0.58	2414	4	0.66	2110	4	0.76	1822	4	GR29R19 GRF29R19	0.12	0.88			1580			4	0.95	1464	4	1.1	1270	4	1.3	1100	4	1.4	972	4	1.7	840	4	1.9	741	4	2.1	654	4	2.5	566	4	2.8	499	4	3.2	440	4	3.6	381	4	4.2	329	4	4.8	290	4	5.4	256	4	6.1	227	4	6.8	203	4	7.8	179	4	8.9	156	4	GR29R19 GRF29R19					0.18	10	135	4	12	118	4	13	104	4	GR29R19 GRF29R19				0.25	15	90				4	200			0.16			8595	4.7	GR39R19 GRF39R19			0.12	0.10	13598	5.1	GR49R39 GRF49R39	0.12	0.19	7411	4.7	0.20	6907	4.7	0.23	6038	4.7	0.27	5206	4.7	0.30	4651	4.7	0.34	4065	4.7	0.38	3658	4.7	0.44	3154	4.7	0.50	2757	4.7	0.58	2409	4.7	0.66	2106	4.7	0.76	1818	4.7	0.88	1576	4.7	1.0	1359	4.7	1.1	1267	4.7	1.3	1098	4.7	1.4	970	4.7	1.7	839	4.7	1.9	740	4.7	2.1	653	4.7	2.4	577	4.7	2.8	498	4.7			3.2	439			4.7	3.7	378	4.7	GR39R19 GRF39R19	0.12			4.2	328	4.7	2.5	5624	5.1	GR49R39 GRF49R39	0.12	2.8	502	5.1	3.2			429	5.1	3.7	372	5.1	4.0	348	5.1	4.6	301	5.1	5.5			255	5.1	6.1	228	5.1	0.11	12472	5.1	GR59R39 GRF59R39	0.12	0.13	10619	5.1	0.15	9155	5.1	0.16	8534	5.1	0.19	7460	5.1	0.20	6993	5.1	0.23	6171	5.1	0.25	5624	5.1	0.29	4849	5.1	0.31	4520	5.1	0.35	3951	5.1	0.38	3704	5.1	0.43	3268	5.1	0.48	2898	5.1	0.56	2463	5.1	0.54	2598	5.1	0.58	2383	5.1	0.69	2029	5.1	0.79	1749	5.1	0.85	1630	5.1	0.98	1425	5.1	1.0	1336	5.1	1.2	1179	5.1	1.3	1074	5.1	1.5	927	5.1	1.6	863	5.1	1.8	755	5.1	2.5	546	5.1	2.8	502	5.1	3.2	429	5.1	3.7	372	5.1	4.0	348	5.1	4.6	301	5.1	5.5	255	5.1	6.1	228	5.1	0.10	14369	6.7	0.11	12095	6.7	0.13	10860	6.7	0.15	9445	6.7	0.16	8480	6.7	0.19	7312	6.7	0.21	6521	6.7	0.25	5585	6.7	0.28	4928	6.7	0.32	4378	6.7	0.36	3873	6.7	0.42	3344	6.7	0.48	2907	6.7	0.54	2567	6.7	0.62	2244	6.7	0.71	1967	6.7																																												
	0.27	5217	4				0.30	4661	4			0.34	4073	4	0.40	3516	4	0.44	3160	4	0.50	2763	4	0.58	2414	4	0.66	2110	4	0.76	1822	4	GR29R19 GRF29R19	0.12	0.88			1580			4			0.95	1464	4	1.1	1270	4	1.3	1100	4	1.4	972	4	1.7	840	4	1.9	741	4	2.1	654	4	2.5	566	4	2.8	499	4	3.2	440	4	3.6	381	4	4.2	329	4	4.8	290	4	5.4	256	4	6.1	227	4	6.8	203	4	7.8	179	4	8.9	156	4	GR29R19 GRF29R19			0.18	10			135	4	12	118	4	13	104	4	GR29R19 GRF29R19		0.25	15			90	4				200				0.16			8595	4.7					GR39R19 GRF39R19	0.12	0.10			13598	5.1	GR49R39 GRF49R39	0.12	0.19	7411	4.7	0.20	6907	4.7	0.23	6038	4.7	0.27	5206	4.7	0.30	4651	4.7	0.34	4065	4.7	0.38	3658	4.7	0.44	3154	4.7	0.50	2757	4.7	0.58	2409	4.7	0.66	2106	4.7	0.76	1818	4.7	0.88	1576	4.7	1.0	1359	4.7	1.1	1267	4.7	1.3	1098	4.7	1.4	970	4.7	1.7	839	4.7	1.9	740	4.7	2.1	653	4.7	2.4	577			4.7	2.8	498	4.7	3.2	439	4.7	3.7					378	4.7	GR39R19 GRF39R19	0.12	4.2	328			4.7	2.5	5624	5.1			GR49R39 GRF49R39	0.12	2.8	502	5.1	3.2	429	5.1	3.7	372	5.1	4.0			348	5.1	4.6	301	5.1	5.5	255	5.1			6.1	228	5.1	0.11	12472	5.1	GR59R39 GRF59R39	0.12	0.13	10619	5.1	0.15	9155	5.1	0.16	8534	5.1	0.19	7460	5.1	0.20	6993	5.1	0.23	6171	5.1	0.25	5624	5.1	0.29	4849	5.1	0.31	4520	5.1	0.35	3951	5.1	0.38	3704	5.1	0.43	3268	5.1	0.48	2898	5.1	0.56	2463	5.1	0.54	2598	5.1	0.58	2383	5.1	0.69	2029	5.1	0.79	1749	5.1	0.85	1630	5.1	0.98	1425	5.1	1.0	1336	5.1	1.2	1179	5.1	1.3	1074	5.1	1.5	927	5.1	1.6	863	5.1	1.8	755	5.1	2.5	546	5.1	2.8	502	5.1	3.2	429	5.1	3.7	372	5.1	4.0	348	5.1	4.6	301	5.1	5.5	255	5.1	6.1	228	5.1	0.10	14369	6.7	0.11	12095	6.7	0.13	10860	6.7	0.15	9445	6.7	0.16	8480	6.7	0.19	7312	6.7	0.21	6521	6.7	0.25	5585	6.7	0.28	4928	6.7	0.32	4378	6.7	0.36	3873	6.7	0.42	3344	6.7	0.48	2907	6.7	0.54	2567	6.7	0.62	2244	6.7	0.71	1967	6.7																																				
	0.30	4661	4				0.34	4073	4	0.40	3516	4	0.44	3160	4	0.50	2763	4	0.58	2414	4	0.66	2110	4	0.76	1822	4	GR29R19 GRF29R19	0.12	0.88	1580	4			0.95			1464			4			1.1	1270	4	1.3	1100	4	1.4	972	4	1.7	840	4	1.9	741	4	2.1	654	4	2.5	566	4	2.8	499	4	3.2	440	4	3.6	381	4	4.2	329	4	4.8	290	4	5.4	256	4	6.1	227	4	6.8	203	4	7.8	179	4	8.9	156	4	GR29R19 GRF29R19	0.18	10			135		4	12		118	4	13	104	4	GR29R19 GRF29R19	0.25	15		90		4		200	0.16	8595								4.7			GR39R19 GRF39R19	0.12							0.10			13598	5.1			GR49R39 GRF49R39	0.12	0.19	7411	4.7	0.20	6907	4.7	0.23	6038	4.7	0.27	5206	4.7	0.30	4651	4.7	0.34	4065	4.7	0.38	3658	4.7	0.44	3154	4.7	0.50	2757	4.7	0.58	2409	4.7	0.66	2106	4.7	0.76	1818	4.7	0.88	1576	4.7	1.0	1359	4.7	1.1	1267	4.7	1.3	1098	4.7	1.4	970	4.7	1.7	839	4.7	1.9	740	4.7	2.1	653	4.7			2.4	577	4.7	2.8	498	4.7	3.2	439	4.7	3.7			378	4.7			GR39R19 GRF39R19	0.12			4.2	328	4.7	2.5					5624	5.1	GR49R39 GRF49R39	0.12	2.8	502	5.1	3.2	429	5.1			3.7	372	5.1	4.0	348	5.1	4.6	301			5.1	5.5	255	5.1	6.1	228			5.1	0.11	12472	5.1	GR59R39 GRF59R39	0.12	0.13	10619	5.1	0.15	9155	5.1	0.16	8534	5.1	0.19	7460	5.1	0.20	6993	5.1	0.23	6171	5.1	0.25	5624	5.1	0.29	4849	5.1	0.31	4520	5.1	0.35	3951	5.1	0.38	3704	5.1	0.43	3268	5.1	0.48	2898	5.1	0.56	2463	5.1	0.54	2598	5.1	0.58	2383	5.1	0.69	2029	5.1	0.79	1749	5.1	0.85	1630	5.1	0.98	1425	5.1	1.0	1336	5.1	1.2	1179	5.1	1.3	1074	5.1	1.5	927	5.1	1.6	863	5.1	1.8	755	5.1	2.5	546	5.1	2.8	502	5.1	3.2	429	5.1	3.7	372	5.1	4.0	348	5.1	4.6	301	5.1	5.5	255	5.1	6.1	228	5.1	0.10	14369	6.7	0.11	12095	6.7	0.13	10860	6.7	0.15	9445	6.7	0.16	8480	6.7	0.19	7312	6.7	0.21	6521	6.7	0.25	5585	6.7	0.28	4928	6.7	0.32	4378	6.7	0.36	3873	6.7	0.42	3344	6.7	0.48	2907	6.7	0.54	2567	6.7	0.62	2244	6.7	0.71	1967	6.7																														
	0.34	4073	4				0.40	3516	4	0.44	3160	4	0.50	2763	4	0.58	2414	4	0.66	2110	4	0.76	1822	4	GR29R19 GRF29R19	0.12	0.88			1580	4	0.95			1464			4			1.1			1270	4	1.3	1100	4	1.4	972	4	1.7	840	4	1.9	741	4	2.1	654	4	2.5	566	4	2.8	499	4	3.2	440	4	3.6	381	4	4.2	329	4	4.8	290	4	5.4	256	4	6.1	227	4	6.8	203	4	7.8	179	4	8.9	156	4	GR29R19 GRF29R19			0.18		10	135		4	12	118	4	13	104	4	GR29R19 GRF29R19			0.25	15	90	4	200			0.16	8595								4.7											GR39R19 GRF39R19			0.12	0.10					13598	5.1	GR49R39 GRF49R39	0.12	0.19	7411	4.7	0.20	6907	4.7	0.23	6038	4.7	0.27	5206	4.7	0.30	4651	4.7	0.34	4065	4.7	0.38	3658	4.7	0.44	3154	4.7	0.50	2757	4.7	0.58	2409	4.7	0.66	2106	4.7	0.76	1818	4.7	0.88	1576	4.7	1.0	1359	4.7	1.1	1267	4.7	1.3	1098	4.7	1.4	970	4.7	1.7	839	4.7	1.9	740			4.7	2.1	653	4.7	2.4	577	4.7	2.8	498	4.7			3.2	439	4.7	3.7					378	4.7	GR39R19 GRF39R19	0.12					4.2	328			4.7	2.5	5624	5.1	GR49R39 GRF49R39	0.12			2.8	502	5.1	3.2	429	5.1	3.7	372			5.1	4.0	348	5.1	4.6	301			5.1	5.5	255	5.1			6.1	228	5.1	0.11	12472	5.1	GR59R39 GRF59R39	0.12	0.13	10619	5.1	0.15	9155	5.1	0.16	8534	5.1	0.19	7460	5.1	0.20	6993	5.1	0.23	6171	5.1	0.25	5624	5.1	0.29	4849	5.1	0.31	4520	5.1	0.35	3951	5.1	0.38	3704	5.1	0.43	3268	5.1	0.48	2898	5.1	0.56	2463	5.1	0.54	2598	5.1	0.58	2383	5.1	0.69	2029	5.1	0.79	1749	5.1	0.85	1630	5.1	0.98	1425	5.1	1.0	1336	5.1	1.2	1179	5.1	1.3	1074	5.1	1.5	927	5.1	1.6	863	5.1	1.8	755	5.1	2.5	546	5.1	2.8	502	5.1	3.2	429	5.1	3.7	372	5.1	4.0	348	5.1	4.6	301	5.1	5.5	255	5.1	6.1	228	5.1	0.10	14369	6.7	0.11	12095	6.7	0.13	10860	6.7	0.15	9445	6.7	0.16	8480	6.7	0.19	7312	6.7	0.21	6521	6.7	0.25	5585	6.7	0.28	4928	6.7	0.32	4378	6.7	0.36	3873	6.7	0.42	3344	6.7	0.48	2907	6.7	0.54	2567	6.7	0.62	2244	6.7	0.71	1967	6.7																						
	0.40	3516	4				0.44	3160	4	0.50	2763	4	0.58	2414	4	0.66	2110	4	0.76	1822	4	GR29R19 GRF29R19	0.12	0.88			1580			4	0.95	1464			4			1.1			1270			4	1.3	1100	4	1.4	972	4	1.7	840	4	1.9	741	4	2.1	654	4	2.5	566	4	2.8	499	4	3.2	440	4	3.6	381	4	4.2	329	4	4.8	290	4	5.4	256	4	6.1	227	4	6.8	203	4	7.8	179	4	8.9	156	4	GR29R19 GRF29R19					0.18	10	135	4	12	118	4	13	104	4	GR29R19 GRF29R19		0.25	15		90	4	200				0.16	8595								4.7															GR39R19 GRF39R19					0.12	0.10			13598	5.1	GR49R39 GRF49R39	0.12	0.19	7411	4.7	0.20	6907	4.7	0.23	6038	4.7	0.27	5206	4.7	0.30	4651	4.7	0.34	4065	4.7	0.38	3658	4.7	0.44	3154	4.7	0.50	2757	4.7	0.58	2409	4.7	0.66	2106	4.7	0.76	1818	4.7	0.88	1576	4.7	1.0	1359	4.7	1.1	1267	4.7	1.3	1098	4.7	1.4	970	4.7	1.7			839	4.7	1.9	740	4.7	2.1	653	4.7	2.4	577			4.7	2.8	498	4.7	3.2	439			4.7	3.7							378	4.7			GR39R19 GRF39R19	0.12	4.2	328					4.7	2.5	5624	5.1	GR49R39 GRF49R39	0.12	2.8	502			5.1	3.2	429	5.1	3.7	372			5.1	4.0	348	5.1			4.6	301	5.1	5.5	255	5.1			6.1	228	5.1	0.11	12472	5.1	GR59R39 GRF59R39	0.12	0.13	10619	5.1	0.15	9155	5.1	0.16	8534	5.1	0.19	7460	5.1	0.20	6993	5.1	0.23	6171	5.1	0.25	5624	5.1	0.29	4849	5.1	0.31	4520	5.1	0.35	3951	5.1	0.38	3704	5.1	0.43	3268	5.1	0.48	2898	5.1	0.56	2463	5.1	0.54	2598	5.1	0.58	2383	5.1	0.69	2029	5.1	0.79	1749	5.1	0.85	1630	5.1	0.98	1425	5.1	1.0	1336	5.1	1.2	1179	5.1	1.3	1074	5.1	1.5	927	5.1	1.6	863	5.1	1.8	755	5.1	2.5	546	5.1	2.8	502	5.1	3.2	429	5.1	3.7	372	5.1	4.0	348	5.1	4.6	301	5.1	5.5	255	5.1	6.1	228	5.1	0.10	14369	6.7	0.11	12095	6.7	0.13	10860	6.7	0.15	9445	6.7	0.16	8480	6.7	0.19	7312	6.7	0.21	6521	6.7	0.25	5585	6.7	0.28	4928	6.7	0.32	4378	6.7	0.36	3873	6.7	0.42	3344	6.7	0.48	2907	6.7	0.54	2567	6.7	0.62	2244	6.7	0.71	1967	6.7														
	0.44	3160	4				0.50	2763	4	0.58	2414	4	0.66	2110	4	0.76	1822	4	GR29R19 GRF29R19	0.12	0.88			1580			4			0.95	1464	4			1.1			1270			4			1.3	1100	4	1.4	972	4	1.7	840	4	1.9	741	4	2.1	654	4	2.5	566	4	2.8	499	4	3.2	440	4	3.6	381	4	4.2	329	4	4.8	290	4	5.4	256	4	6.1	227	4	6.8	203	4	7.8	179	4	8.9	156	4	GR29R19 GRF29R19			0.18	10			135	4	12	118	4	13	104	4	GR29R19 GRF29R19		0.25		15	90	4	200					0.16	8595								4.7																					GR39R19 GRF39R19			0.12	0.10			13598	5.1	GR49R39 GRF49R39	0.12	0.19	7411	4.7	0.20	6907	4.7	0.23	6038	4.7	0.27	5206	4.7	0.30	4651	4.7	0.34	4065	4.7	0.38	3658	4.7	0.44	3154	4.7	0.50	2757	4.7	0.58	2409	4.7	0.66	2106	4.7	0.76	1818	4.7	0.88	1576	4.7	1.0	1359	4.7	1.1	1267	4.7	1.3	1098	4.7			1.4	970	4.7	1.7	839	4.7	1.9	740	4.7	2.1			653	4.7	2.4	577	4.7	2.8			498	4.7	3.2	439					4.7	3.7					378	4.7					GR39R19 GRF39R19	0.12	4.2	328			4.7	2.5			5624	5.1	GR49R39 GRF49R39	0.12	2.8	502			5.1	3.2	429	5.1			3.7	372	5.1	4.0	348	5.1			4.6	301	5.1	5.5	255	5.1			6.1	228	5.1	0.11	12472	5.1	GR59R39 GRF59R39	0.12	0.13	10619	5.1	0.15	9155	5.1	0.16	8534	5.1	0.19	7460	5.1	0.20	6993	5.1	0.23	6171	5.1	0.25	5624	5.1	0.29	4849	5.1	0.31	4520	5.1	0.35	3951	5.1	0.38	3704	5.1	0.43	3268	5.1	0.48	2898	5.1	0.56	2463	5.1	0.54	2598	5.1	0.58	2383	5.1	0.69	2029	5.1	0.79	1749	5.1	0.85	1630	5.1	0.98	1425	5.1	1.0	1336	5.1	1.2	1179	5.1	1.3	1074	5.1	1.5	927	5.1	1.6	863	5.1	1.8	755	5.1	2.5	546	5.1	2.8	502	5.1	3.2	429	5.1	3.7	372	5.1	4.0	348	5.1	4.6	301	5.1	5.5	255	5.1	6.1	228	5.1	0.10	14369	6.7	0.11	12095	6.7	0.13	10860	6.7	0.15	9445	6.7	0.16	8480	6.7	0.19	7312	6.7	0.21	6521	6.7	0.25	5585	6.7	0.28	4928	6.7	0.32	4378	6.7	0.36	3873	6.7	0.42	3344	6.7	0.48	2907	6.7	0.54	2567	6.7	0.62	2244	6.7	0.71	1967	6.7						
	0.50	2763	4				0.58	2414	4	0.66	2110	4	0.76	1822	4	GR29R19 GRF29R19	0.12	0.88			1580			4			0.95			1464	4	1.1			1270			4			1.3			1100	4	1.4	972	4	1.7	840	4	1.9	741	4	2.1	654	4	2.5	566	4	2.8	499	4	3.2	440	4	3.6	381	4	4.2	329	4	4.8	290	4	5.4	256	4	6.1	227	4	6.8	203	4	7.8	179	4	8.9	156	4	GR29R19 GRF29R19			0.18		10	135		4	12	118	4	13	104	4	GR29R19 GRF29R19		0.25		15	90	4	200						0.16	8595								4.7																									GR39R19 GRF39R19			0.12	0.10			13598	5.1	GR49R39 GRF49R39	0.12	0.19	7411	4.7	0.20	6907	4.7	0.23	6038	4.7	0.27	5206	4.7	0.30	4651	4.7	0.34	4065	4.7	0.38	3658	4.7	0.44	3154	4.7	0.50	2757	4.7	0.58	2409	4.7	0.66	2106	4.7	0.76	1818	4.7	0.88	1576	4.7	1.0	1359	4.7	1.1	1267			4.7	1.3	1098	4.7	1.4	970	4.7	1.7	839	4.7			1.9	740	4.7	2.1	653	4.7			2.4	577	4.7	2.8					498	4.7			3.2	439	4.7	3.7							378	4.7			GR39R19 GRF39R19	0.12			4.2	328			4.7	2.5			5624	5.1	GR49R39 GRF49R39	0.12			2.8	502	5.1	3.2	429	5.1			3.7	372	5.1	4.0	348	5.1			4.6	301	5.1	5.5	255	5.1			6.1	228	5.1	0.11	12472	5.1	GR59R39 GRF59R39	0.12	0.13	10619	5.1	0.15	9155	5.1	0.16	8534	5.1	0.19	7460	5.1	0.20	6993	5.1	0.23	6171	5.1	0.25	5624	5.1	0.29	4849	5.1	0.31	4520	5.1	0.35	3951	5.1	0.38	3704	5.1	0.43	3268	5.1	0.48	2898	5.1	0.56	2463	5.1	0.54	2598	5.1	0.58	2383	5.1	0.69	2029	5.1	0.79	1749	5.1	0.85	1630	5.1	0.98	1425	5.1	1.0	1336	5.1	1.2	1179	5.1	1.3	1074	5.1	1.5	927	5.1	1.6	863	5.1	1.8	755	5.1	2.5	546	5.1	2.8	502	5.1	3.2	429	5.1	3.7	372	5.1	4.0	348	5.1	4.6	301	5.1	5.5	255	5.1	6.1	228	5.1	0.10	14369	6.7	0.11	12095	6.7	0.13	10860	6.7	0.15	9445	6.7	0.16	8480	6.7	0.19	7312	6.7	0.21	6521	6.7	0.25	5585	6.7	0.28	4928	6.7	0.32	4378	6.7	0.36	3873	6.7	0.42	3344	6.7	0.48	2907	6.7	0.54	2567	6.7	0.62	2244	6.7	0.71
	0.58	2414	4	0.66	2110		4	0.76	1822	4	GR29R19 GRF29R19	0.12	0.88	1580	4			0.95			1464			4			1.1			1270	4	1.3			1100			4			1.4			972	4	1.7	840	4	1.9	741	4	2.1	654	4	2.5	566	4	2.8	499	4	3.2	440	4	3.6	381	4	4.2	329	4	4.8	290	4	5.4	256	4	6.1	227	4	6.8	203	4	7.8	179	4	8.9	156	4	GR29R19 GRF29R19	0.18	10			135			4	12	118	4	13	104	4	GR29R19 GRF29R19	0.25	15		90		4	200	0.16	8595							4.7	GR39R19 GRF39R19								0.12																													0.10			13598	5.1			GR49R39 GRF49R39	0.12	0.19	7411	4.7	0.20	6907	4.7	0.23	6038	4.7	0.27	5206	4.7	0.30	4651	4.7	0.34	4065	4.7	0.38	3658	4.7	0.44	3154	4.7	0.50	2757	4.7	0.58	2409	4.7	0.66	2106	4.7	0.76	1818	4.7	0.88	1576	4.7	1.0	1359	4.7			1.1	1267	4.7	1.3	1098	4.7	1.4	970	4.7	1.7			839	4.7	1.9	740	4.7	2.1			653	4.7	2.4	577					4.7	2.8			498	4.7	3.2	439					4.7	3.7	378	4.7							GR39R19 GRF39R19	0.12			4.2	328			4.7	2.5					5624	5.1	GR49R39 GRF49R39	0.12	2.8	502			5.1	3.2	429	5.1	3.7	372			5.1	4.0	348	5.1	4.6	301			5.1	5.5	255	5.1	6.1	228			5.1	0.11	12472	5.1	GR59R39 GRF59R39	0.12	0.13	10619	5.1	0.15	9155	5.1	0.16	8534	5.1	0.19	7460	5.1	0.20	6993	5.1	0.23	6171	5.1	0.25	5624	5.1	0.29	4849	5.1	0.31	4520	5.1	0.35	3951	5.1	0.38	3704	5.1	0.43	3268	5.1	0.48	2898	5.1	0.56	2463	5.1	0.54	2598	5.1	0.58	2383	5.1	0.69	2029	5.1	0.79	1749	5.1	0.85	1630	5.1	0.98	1425	5.1	1.0	1336	5.1	1.2	1179	5.1	1.3	1074	5.1	1.5	927	5.1	1.6	863	5.1	1.8	755	5.1	2.5	546	5.1	2.8	502	5.1	3.2	429	5.1	3.7	372	5.1	4.0	348	5.1	4.6	301	5.1	5.5	255	5.1	6.1	228	5.1	0.10	14369	6.7	0.11	12095	6.7	0.13	10860	6.7	0.15	9445	6.7	0.16	8480	6.7	0.19	7312	6.7	0.21	6521	6.7	0.25	5585	6.7	0.28	4928	6.7	0.32	4378	6.7	0.36	3873	6.7	0.42	3344	6.7	0.48	2907	6.7	0.54
	0.66	2110	4	0.76	1822		4	GR29R19 GRF29R19	0.12	0.88			1580	4	0.95			1464			4			1.1			1270			4	1.3	1100			4			1.4			972	4	1.7	840	4	1.9	741	4	2.1	654	4	2.5	566	4	2.8	499	4	3.2	440	4	3.6	381	4	4.2	329	4	4.8	290	4	5.4	256	4	6.1	227	4	6.8	203	4	7.8	179	4	8.9	156	4	GR29R19 GRF29R19	0.18	10			135		4	12		118	4	13	104	4	GR29R19 GRF29R19	0.25	15			90	4	200	0.16	8595		4.7	GR39R19 GRF39R19							0.12							0.10	13598																														5.1			GR49R39 GRF49R39	0.12					0.19	7411	4.7	0.20	6907	4.7	0.23	6038	4.7	0.27	5206	4.7	0.30	4651	4.7	0.34	4065	4.7	0.38	3658	4.7	0.44	3154	4.7	0.50	2757	4.7	0.58	2409	4.7	0.66	2106	4.7	0.76	1818	4.7	0.88	1576	4.7	1.0	1359	4.7	1.1	1267	4.7	1.3	1098	4.7	1.4	970	4.7	1.7	839	4.7			1.9	740	4.7	2.1	653	4.7			2.4	577	4.7	2.8					498	4.7			3.2	439	4.7	3.7					378	4.7	GR39R19 GRF39R19	0.12			4.2	328							4.7	2.5			5624	5.1					GR49R39 GRF49R39	0.12			2.8	502			5.1	3.2	429	5.1	3.7	372			5.1	4.0	348	5.1	4.6	301			5.1	5.5	255	5.1	6.1	228			5.1	0.11	12472	5.1			GR59R39 GRF59R39	0.12	0.13	10619	5.1	0.15	9155	5.1	0.16	8534	5.1	0.19	7460	5.1	0.20	6993	5.1	0.23	6171	5.1	0.25	5624	5.1	0.29	4849	5.1	0.31	4520	5.1	0.35	3951	5.1	0.38	3704	5.1	0.43	3268	5.1	0.48	2898	5.1	0.56	2463	5.1	0.54	2598	5.1	0.58	2383	5.1	0.69	2029	5.1	0.79	1749	5.1	0.85	1630	5.1	0.98	1425	5.1	1.0	1336	5.1	1.2	1179	5.1	1.3	1074	5.1	1.5	927	5.1	1.6	863	5.1	1.8	755	5.1	2.5	546	5.1	2.8	502	5.1	3.2	429	5.1	3.7	372	5.1	4.0	348	5.1	4.6	301	5.1	5.5	255	5.1	6.1	228	5.1	0.10	14369	6.7	0.11	12095	6.7	0.13	10860	6.7	0.15	9445	6.7	0.16	8480	6.7	0.19	7312	6.7	0.21	6521	6.7	0.25	5585	6.7	0.28	4928	6.7	0.32	4378	6.7	0.36	3873	6.7	0.42	3344	6.7	0.48	2907
	0.76	1822	4	GR29R19 GRF29R19	0.12		0.88			1580			4	0.95	1464			4			1.1			1270			4			1.3	1100	4			1.4			972	4	1.7	840	4	1.9	741	4	2.1	654	4	2.5	566	4	2.8	499	4	3.2	440	4	3.6	381	4	4.2	329	4	4.8	290	4	5.4	256	4	6.1	227	4	6.8	203	4	7.8	179	4	8.9	156	4	GR29R19 GRF29R19	0.18	10			135			4	12	118	4	13	104	4	GR29R19 GRF29R19	0.25	15			90	4	200	0.16	8595		4.7	GR39R19 GRF39R19		0.12															0.10	13598							5.1	GR49R39 GRF49R39																						0.12									0.19	7411	4.7	0.20	6907	4.7	0.23	6038	4.7	0.27	5206	4.7	0.30	4651	4.7	0.34	4065	4.7	0.38	3658	4.7	0.44	3154	4.7	0.50	2757	4.7	0.58	2409	4.7	0.66	2106	4.7	0.76	1818	4.7	0.88	1576	4.7	1.0	1359	4.7	1.1	1267	4.7	1.3	1098	4.7	1.4	970	4.7	1.7	839	4.7	1.9	740	4.7	2.1	653	4.7	2.4	577			4.7	2.8	498	4.7					3.2	439			4.7	3.7	378	4.7					GR39R19 GRF39R19	0.12					4.2	328			4.7	2.5			5624	5.1			GR49R39 GRF49R39	0.12									2.8	502			5.1	3.2	429	5.1	3.7	372			5.1	4.0	348	5.1	4.6	301			5.1	5.5	255	5.1	6.1	228			5.1	0.11	12472	5.1					GR59R39 GRF59R39	0.12	0.13	10619	5.1	0.15	9155	5.1	0.16	8534	5.1	0.19	7460	5.1	0.20	6993	5.1	0.23	6171	5.1	0.25	5624	5.1	0.29	4849	5.1	0.31	4520	5.1	0.35	3951	5.1	0.38	3704	5.1	0.43	3268	5.1	0.48	2898	5.1	0.56	2463	5.1	0.54	2598	5.1	0.58	2383	5.1	0.69	2029	5.1	0.79	1749	5.1	0.85	1630	5.1	0.98	1425	5.1	1.0	1336	5.1	1.2	1179	5.1	1.3	1074	5.1	1.5	927	5.1	1.6	863	5.1	1.8	755	5.1	2.5	546	5.1	2.8	502	5.1	3.2	429	5.1	3.7	372	5.1	4.0	348	5.1	4.6	301	5.1	5.5	255	5.1	6.1	228	5.1	0.10	14369	6.7	0.11	12095	6.7	0.13	10860	6.7	0.15	9445	6.7	0.16	8480	6.7	0.19	7312	6.7	0.21	6521	6.7	0.25	5585	6.7	0.28	4928	6.7	0.32	4378	6.7	0.36	3873	6.7	0.42	3344	6.7
	0.88	1580	4				0.95			1464			4	1.1	1270			4			1.3			1100			4			1.4	972	4			1.7	840	4	1.9	741	4	2.1	654	4	2.5	566	4	2.8	499	4	3.2	440	4	3.6	381	4	4.2	329	4	4.8	290	4	5.4	256	4	6.1	227	4	6.8	203	4	7.8	179	4	8.9	156	4	GR29R19 GRF29R19	0.18	10	135	4			12			118	4	13	104	4	GR29R19 GRF29R19	0.25	15	90	4			200	0.16	8595	4.7	GR39R19 GRF39R19		0.12	0.10		13598																		5.1	GR49R39 GRF49R39							0.12						0.19	7411																									4.7	0.20	6907	4.7	0.23	6038	4.7	0.27	5206	4.7	0.30	4651	4.7	0.34	4065	4.7	0.38	3658	4.7	0.44	3154	4.7	0.50	2757	4.7	0.58	2409	4.7	0.66	2106	4.7	0.76	1818	4.7	0.88	1576	4.7	1.0	1359	4.7	1.1	1267	4.7	1.3	1098	4.7	1.4	970	4.7	1.7	839	4.7	1.9	740	4.7	2.1	653	4.7	2.4	577	4.7	2.8	498	4.7	3.2	439	4.7	3.7					378	4.7			GR39R19 GRF39R19	0.12	4.2	328							4.7	2.5			5624	5.1			GR49R39 GRF49R39	0.12			2.8	502													5.1	3.2			429	5.1	3.7	372	5.1	4.0			348	5.1	4.6	301	5.1	5.5			255	5.1	6.1	228	5.1	0.11			12472	5.1	GR59R39 GRF59R39	0.12							0.13	10619	5.1	0.15	9155	5.1	0.16	8534	5.1	0.19	7460	5.1	0.20	6993	5.1	0.23	6171	5.1	0.25	5624	5.1	0.29	4849	5.1	0.31	4520	5.1	0.35	3951	5.1	0.38	3704	5.1	0.43	3268	5.1	0.48	2898	5.1	0.56	2463	5.1	0.54	2598	5.1	0.58	2383	5.1	0.69	2029	5.1	0.79	1749	5.1	0.85	1630	5.1	0.98	1425	5.1	1.0	1336	5.1	1.2	1179	5.1	1.3	1074	5.1	1.5	927	5.1	1.6	863	5.1	1.8	755	5.1	2.5	546	5.1	2.8	502	5.1	3.2	429	5.1	3.7	372	5.1	4.0	348	5.1	4.6	301	5.1	5.5	255	5.1	6.1	228	5.1	0.10	14369	6.7	0.11	12095	6.7	0.13	10860	6.7	0.15	9445	6.7	0.16	8480	6.7	0.19	7312	6.7	0.21	6521	6.7	0.25	5585	6.7	0.28	4928	6.7	0.32	4378	6.7	0.36	3873	6.7	0.42	3344	6.7
	0.95	1464	4				1.1			1270			4	1.3	1100			4			1.4			972			4			1.7	840	4	1.9	741	4	2.1	654	4	2.5	566	4	2.8	499	4	3.2	440	4	3.6	381	4	4.2	329	4	4.8	290	4	5.4	256	4	6.1	227	4	6.8	203	4	7.8	179	4	8.9	156	4	GR29R19 GRF29R19	0.18	10	135	4			12	118	4			13	104	4	GR29R19 GRF29R19	0.25	15	90	4			200	0.16	8595	4.7	GR39R19 GRF39R19		0.12	0.10	13598				5.1		GR49R39 GRF49R39																		0.12														0.19	7411			4.7	0.20																					6907	4.7	0.23	6038	4.7	0.27	5206	4.7	0.30	4651	4.7	0.34	4065	4.7	0.38	3658	4.7	0.44	3154	4.7	0.50	2757	4.7	0.58	2409	4.7	0.66	2106	4.7	0.76	1818	4.7	0.88	1576	4.7	1.0	1359	4.7	1.1	1267	4.7	1.3	1098	4.7	1.4	970	4.7	1.7	839	4.7	1.9	740	4.7	2.1	653	4.7	2.4	577	4.7	2.8	498	4.7	3.2	439	4.7	3.7	378	4.7			GR39R19 GRF39R19	0.12	4.2	328					4.7	2.5					5624	5.1	GR49R39 GRF49R39	0.12			2.8	502							5.1	3.2													429	5.1			3.7	372	5.1	4.0	348	5.1			4.6	301	5.1	5.5	255	5.1			6.1	228	5.1	0.11	12472	5.1			GR59R39 GRF59R39	0.12									0.13	10619	5.1	0.15	9155	5.1	0.16	8534	5.1	0.19	7460	5.1	0.20	6993	5.1	0.23	6171	5.1	0.25	5624	5.1	0.29	4849	5.1	0.31	4520	5.1	0.35	3951	5.1	0.38	3704	5.1	0.43	3268	5.1	0.48	2898	5.1	0.56	2463	5.1	0.54	2598	5.1	0.58	2383	5.1	0.69	2029	5.1	0.79	1749	5.1	0.85	1630	5.1	0.98	1425	5.1	1.0	1336	5.1	1.2	1179	5.1	1.3	1074	5.1	1.5	927	5.1	1.6	863	5.1	1.8	755	5.1	2.5	546	5.1	2.8	502	5.1	3.2	429	5.1	3.7	372	5.1	4.0	348	5.1	4.6	301	5.1	5.5	255	5.1	6.1	228	5.1	0.10	14369	6.7	0.11	12095	6.7	0.13	10860	6.7	0.15	9445	6.7	0.16	8480	6.7	0.19	7312	6.7	0.21	6521	6.7	0.25	5585	6.7	0.28	4928	6.7	0.32	4378	6.7	0.36	3873	6.7	0.42	3344	6.7
	1.1	1270	4				1.3			1100			4	1.4	972			4			1.7			840			4	1.9	741	4	2.1	654	4	2.5	566	4	2.8	499	4	3.2	440	4	3.6	381	4	4.2	329	4	4.8	290	4	5.4	256	4	6.1	227	4	6.8	203	4	7.8	179	4	8.9	156	4	GR29R19 GRF29R19	0.18	10	135	4			12	118	4			13	104	4	GR29R19 GRF29R19	0.25	15	90	4			200	0.16	8595	4.7	GR39R19 GRF39R19		0.12	0.10	13598				5.1	GR49R39 GRF49R39				0.12																																		0.19	7411			4.7	0.20	6907	4.7																			0.23	6038	4.7	0.27	5206	4.7	0.30	4651	4.7	0.34	4065	4.7	0.38	3658	4.7	0.44	3154	4.7	0.50	2757	4.7	0.58	2409	4.7	0.66	2106	4.7	0.76	1818	4.7	0.88	1576	4.7	1.0	1359	4.7	1.1	1267	4.7	1.3	1098	4.7	1.4	970	4.7	1.7	839	4.7	1.9	740	4.7	2.1	653	4.7	2.4	577	4.7	2.8	498	4.7	3.2	439	4.7	3.7	378	4.7	GR39R19 GRF39R19	0.12					4.2	328	4.7	2.5	5624	5.1	GR49R39 GRF49R39	0.12					2.8	502					5.1	3.2							429	5.1													3.7	372			5.1	4.0	348	5.1	4.6	301			5.1	5.5	255	5.1	6.1	228			5.1	0.11	12472	5.1	GR59R39 GRF59R39	0.12													0.13	10619	5.1	0.15	9155	5.1	0.16	8534	5.1	0.19	7460	5.1	0.20	6993	5.1	0.23	6171	5.1	0.25	5624	5.1	0.29	4849	5.1	0.31	4520	5.1	0.35	3951	5.1	0.38	3704	5.1	0.43	3268	5.1	0.48	2898	5.1	0.56	2463	5.1	0.54	2598	5.1	0.58	2383	5.1	0.69	2029	5.1	0.79	1749	5.1	0.85	1630	5.1	0.98	1425	5.1	1.0	1336	5.1	1.2	1179	5.1	1.3	1074	5.1	1.5	927	5.1	1.6	863	5.1	1.8	755	5.1	2.5	546	5.1	2.8	502	5.1	3.2	429	5.1	3.7	372	5.1	4.0	348	5.1	4.6	301	5.1	5.5	255	5.1	6.1	228	5.1	0.10	14369	6.7	0.11	12095	6.7	0.13	10860	6.7	0.15	9445	6.7	0.16	8480	6.7	0.19	7312	6.7	0.21	6521	6.7	0.25	5585	6.7	0.28	4928	6.7	0.32	4378	6.7	0.36	3873	6.7	0.42	3344	6.7
	1.3	1100	4				1.4			972			4	1.7	840			4			1.9			741	4	2.1	654	4	2.5	566	4	2.8	499	4	3.2	440	4	3.6	381	4	4.2	329	4	4.8	290	4	5.4	256	4	6.1	227	4	6.8	203	4	7.8	179	4	8.9	156	4	GR29R19 GRF29R19	0.18	10	135	4			12	118	4			13	104	4	GR29R19 GRF29R19	0.25	15	90	4			200	0.16	8595	4.7	GR39R19 GRF39R19		0.12	0.10	13598				5.1	GR49R39 GRF49R39				0.12																				0.19	7411																		4.7	0.20			6907	4.7	0.23	6038			4.7	0.27															5206	4.7	0.30	4651	4.7	0.34	4065	4.7	0.38	3658	4.7	0.44	3154	4.7	0.50	2757	4.7	0.58	2409	4.7	0.66	2106	4.7	0.76	1818	4.7	0.88	1576	4.7	1.0	1359	4.7	1.1	1267	4.7	1.3	1098	4.7	1.4	970	4.7	1.7	839	4.7	1.9	740	4.7	2.1	653	4.7	2.4	577	4.7	2.8	498	4.7	3.2	439	4.7	3.7	378	4.7	GR39R19 GRF39R19	0.12	4.2	328			4.7	2.5	5624	5.1	GR49R39 GRF49R39	0.12	2.8	502	5.1	3.2			429	5.1			3.7	372					5.1	4.0							348	5.1													4.6	301			5.1	5.5	255	5.1	6.1	228			5.1	0.11	12472	5.1	GR59R39 GRF59R39	0.12			0.13	10619	5.1	0.15															9155	5.1	0.16	8534	5.1	0.19	7460	5.1	0.20	6993	5.1	0.23	6171	5.1	0.25	5624	5.1	0.29	4849	5.1	0.31	4520	5.1	0.35	3951	5.1	0.38	3704	5.1	0.43	3268	5.1	0.48	2898	5.1	0.56	2463	5.1	0.54	2598	5.1	0.58	2383	5.1	0.69	2029	5.1	0.79	1749	5.1	0.85	1630	5.1	0.98	1425	5.1	1.0	1336	5.1	1.2	1179	5.1	1.3	1074	5.1	1.5	927	5.1	1.6	863	5.1	1.8	755	5.1	2.5	546	5.1	2.8	502	5.1	3.2	429	5.1	3.7	372	5.1	4.0	348	5.1	4.6	301	5.1	5.5	255	5.1	6.1	228	5.1	0.10	14369	6.7	0.11	12095	6.7	0.13	10860	6.7	0.15	9445	6.7	0.16	8480	6.7	0.19	7312	6.7	0.21	6521	6.7	0.25	5585	6.7	0.28	4928	6.7	0.32	4378	6.7	0.36	3873	6.7	0.42	3344	6.7	0.48	2907	6.7	0.54
	1.4	972	4				1.7			840			4	1.9	741			4			2.1	654	4	2.5	566	4	2.8	499	4	3.2	440	4	3.6	381	4	4.2	329	4	4.8	290	4	5.4	256	4	6.1	227	4	6.8	203	4	7.8	179	4	8.9	156	4	GR29R19 GRF29R19	0.18	10	135	4			12	118	4			13	104	4	GR29R19 GRF29R19	0.25	15	90	4			200	0.16	8595	4.7	GR39R19 GRF39R19		0.12	0.10	13598				5.1	GR49R39 GRF49R39				0.12																									0.19	7411							4.7	0.20										6907	4.7			0.23	6038	4.7	0.27			5206	4.7			0.30	4651											4.7	0.34	4065	4.7	0.38	3658	4.7	0.44	3154	4.7	0.50	2757	4.7	0.58	2409	4.7	0.66	2106	4.7	0.76	1818	4.7	0.88	1576	4.7	1.0	1359	4.7	1.1	1267	4.7	1.3	1098	4.7	1.4	970	4.7	1.7	839	4.7	1.9	740	4.7	2.1	653	4.7	2.4	577	4.7	2.8	498	4.7	3.2	439	4.7	3.7	378	4.7	GR39R19 GRF39R19	0.12	4.2	328			4.7	2.5	5624	5.1	GR49R39 GRF49R39	0.12	2.8	502			5.1	3.2	429	5.1			3.7	372	5.1	4.0	348	5.1			4.6	301	5.1	5.5							255	5.1													6.1	228			5.1	0.11	12472	5.1	GR59R39 GRF59R39	0.12			0.13	10619	5.1	0.15					9155	5.1	0.16	8534															5.1	0.19	7460	5.1	0.20	6993	5.1	0.23	6171	5.1	0.25	5624	5.1	0.29	4849	5.1	0.31	4520	5.1	0.35	3951	5.1	0.38	3704	5.1	0.43	3268	5.1	0.48	2898	5.1	0.56	2463	5.1	0.54	2598	5.1	0.58	2383	5.1	0.69	2029	5.1	0.79	1749	5.1	0.85	1630	5.1	0.98	1425	5.1	1.0	1336	5.1	1.2	1179	5.1	1.3	1074	5.1	1.5	927	5.1	1.6	863	5.1	1.8	755	5.1	2.5	546	5.1	2.8	502	5.1	3.2	429	5.1	3.7	372	5.1	4.0	348	5.1	4.6	301	5.1	5.5	255	5.1	6.1	228	5.1	0.10	14369	6.7	0.11	12095	6.7	0.13	10860	6.7	0.15	9445	6.7	0.16	8480	6.7	0.19	7312	6.7	0.21	6521	6.7	0.25	5585	6.7	0.28	4928	6.7	0.32	4378	6.7	0.36	3873	6.7	0.42	3344	6.7	0.48	2907	6.7	0.54	2567	6.7	0.62	2244
	1.7	840	4				1.9			741			4	2.1	654			4	2.5	566	4	2.8	499	4	3.2	440	4	3.6	381	4	4.2	329	4	4.8	290	4	5.4	256	4	6.1	227	4	6.8	203	4	7.8	179	4	8.9	156	4	GR29R19 GRF29R19	0.18	10	135	4			12	118	4			13	104	4	GR29R19 GRF29R19	0.25	15	90	4			200	0.16	8595	4.7	GR39R19 GRF39R19		0.12	0.10	13598				5.1	GR49R39 GRF49R39				0.12																														0.19	7411							4.7	0.20			6907			4.7				0.23	6038			4.7	0.27	5206	4.7			0.30	4651			4.7	0.34			4065	4.7							0.38	3658	4.7	0.44	3154	4.7	0.50	2757	4.7	0.58	2409	4.7	0.66	2106	4.7	0.76	1818	4.7	0.88	1576	4.7	1.0	1359	4.7	1.1	1267	4.7	1.3	1098	4.7	1.4	970	4.7	1.7	839	4.7	1.9	740	4.7	2.1	653	4.7	2.4	577	4.7	2.8	498	4.7	3.2	439	4.7	3.7	378	4.7	GR39R19 GRF39R19	0.12	4.2	328			4.7	2.5	5624	5.1	GR49R39 GRF49R39	0.12	2.8	502			5.1	3.2			429	5.1	3.7	372			5.1	4.0	348	5.1	4.6	301			5.1	5.5	255	5.1	6.1	228			5.1	0.11	12472	5.1													GR59R39 GRF59R39	0.12			0.13	10619	5.1	0.15					9155	5.1	0.16	8534					5.1	0.19	7460	5.1															0.20	6993	5.1	0.23	6171	5.1	0.25	5624	5.1	0.29	4849	5.1	0.31	4520	5.1	0.35	3951	5.1	0.38	3704	5.1	0.43	3268	5.1	0.48	2898	5.1	0.56	2463	5.1	0.54	2598	5.1	0.58	2383	5.1	0.69	2029	5.1	0.79	1749	5.1	0.85	1630	5.1	0.98	1425	5.1	1.0	1336	5.1	1.2	1179	5.1	1.3	1074	5.1	1.5	927	5.1	1.6	863	5.1	1.8	755	5.1	2.5	546	5.1	2.8	502	5.1	3.2	429	5.1	3.7	372	5.1	4.0	348	5.1	4.6	301	5.1	5.5	255	5.1	6.1	228	5.1	0.10	14369	6.7	0.11	12095	6.7	0.13	10860	6.7	0.15	9445	6.7	0.16	8480	6.7	0.19	7312	6.7	0.21	6521	6.7	0.25	5585	6.7	0.28	4928	6.7	0.32	4378	6.7	0.36	3873	6.7	0.42	3344	6.7	0.48	2907	6.7	0.54	2567	6.7	0.62	2244	6.7	0.71	1967	6.7
	1.9	741	4				2.1			654			4	2.5	566	4	2.8	499	4	3.2	440	4	3.6	381	4	4.2	329	4	4.8	290	4	5.4	256	4	6.1	227	4	6.8	203	4	7.8	179	4	8.9	156	4	GR29R19 GRF29R19	0.18	10	135	4			12	118	4			13	104	4	GR29R19 GRF29R19	0.25	15	90	4			200	0.16	8595	4.7	GR39R19 GRF39R19		0.12	0.10	13598				5.1	GR49R39 GRF49R39				0.12																																			0.19	7411							4.7	0.20			6907			4.7	0.23	6038		4.7	0.27			5206	4.7	0.30	4651			4.7	0.34			4065	4.7			0.38	3658			4.7	0.44			3154	4.7	0.50	2757	4.7	0.58	2409	4.7	0.66	2106	4.7	0.76	1818	4.7	0.88	1576	4.7	1.0	1359	4.7	1.1	1267	4.7	1.3	1098	4.7	1.4	970	4.7	1.7	839	4.7	1.9	740	4.7	2.1	653	4.7	2.4	577	4.7	2.8	498	4.7	3.2	439	4.7	3.7	378	4.7	GR39R19 GRF39R19	0.12	4.2	328			4.7	2.5	5624	5.1	GR49R39 GRF49R39	0.12	2.8	502			5.1	3.2			429	5.1			3.7	372	5.1	4.0			348	5.1	4.6	301	5.1	5.5			255	5.1	6.1	228	5.1	0.11			12472	5.1	GR59R39 GRF59R39	0.12	0.13	10619			5.1	0.15											9155	5.1	0.16	8534					5.1	0.19	7460	5.1					0.20	6993	5.1	0.23															6171	5.1	0.25	5624	5.1	0.29	4849	5.1	0.31	4520	5.1	0.35	3951	5.1	0.38	3704	5.1	0.43	3268	5.1	0.48	2898	5.1	0.56	2463	5.1	0.54	2598	5.1	0.58	2383	5.1	0.69	2029	5.1	0.79	1749	5.1	0.85	1630	5.1	0.98	1425	5.1	1.0	1336	5.1	1.2	1179	5.1	1.3	1074	5.1	1.5	927	5.1	1.6	863	5.1	1.8	755	5.1	2.5	546	5.1	2.8	502	5.1	3.2	429	5.1	3.7	372	5.1	4.0	348	5.1	4.6	301	5.1	5.5	255	5.1	6.1	228	5.1	0.10	14369	6.7	0.11	12095	6.7	0.13	10860	6.7	0.15	9445	6.7	0.16	8480	6.7	0.19	7312	6.7	0.21	6521	6.7	0.25	5585	6.7	0.28	4928	6.7	0.32	4378	6.7	0.36	3873	6.7	0.42	3344	6.7	0.48	2907	6.7	0.54	2567	6.7	0.62	2244	6.7	0.71	1967	6.7				
	2.1	654	4				2.5			566	4	2.8	499	4	3.2	440	4	3.6	381	4	4.2	329	4	4.8	290	4	5.4	256	4	6.1	227	4	6.8	203	4	7.8	179	4	8.9	156	4	GR29R19 GRF29R19	0.18	10	135	4			12	118	4			13	104	4	GR29R19 GRF29R19	0.25	15	90	4			200	0.16	8595	4.7	GR39R19 GRF39R19		0.12	0.10	13598				5.1	GR49R39 GRF49R39				0.12																																								0.19	7411							4.7	0.20	6907	4.7	0.23			6038	4.7	0.27		5206	4.7			0.30	4651	4.7	0.34			4065	4.7			0.38	3658			4.7	0.44			3154	4.7	0.50	2757	4.7	0.58	2409	4.7	0.66	2106	4.7	0.76	1818	4.7	0.88	1576	4.7	1.0	1359	4.7	1.1	1267	4.7	1.3	1098	4.7	1.4	970	4.7	1.7	839	4.7	1.9	740	4.7	2.1	653	4.7	2.4	577	4.7	2.8	498	4.7	3.2	439	4.7	3.7	378	4.7	GR39R19 GRF39R19	0.12	4.2	328			4.7	2.5	5624	5.1	GR49R39 GRF49R39	0.12	2.8	502			5.1	3.2			429	5.1			3.7	372			5.1	4.0	348	5.1			4.6	301	5.1	5.5	255	5.1			6.1	228	5.1	0.11	12472	5.1			GR59R39 GRF59R39	0.12			0.13	10619			5.1	0.15	9155	5.1			0.16	8534					5.1	0.19	7460	5.1					0.20	6993	5.1	0.23					6171	5.1	0.25	5624															5.1	0.29	4849	5.1	0.31	4520	5.1	0.35	3951	5.1	0.38	3704	5.1	0.43	3268	5.1	0.48	2898	5.1	0.56	2463	5.1	0.54	2598	5.1	0.58	2383	5.1	0.69	2029	5.1	0.79	1749	5.1	0.85	1630	5.1	0.98	1425	5.1	1.0	1336	5.1	1.2	1179	5.1	1.3	1074	5.1	1.5	927	5.1	1.6	863	5.1	1.8	755	5.1	2.5	546	5.1	2.8	502	5.1	3.2	429	5.1	3.7	372	5.1	4.0	348	5.1	4.6	301	5.1	5.5	255	5.1	6.1	228	5.1	0.10	14369	6.7	0.11	12095	6.7	0.13	10860	6.7	0.15	9445	6.7	0.16	8480	6.7	0.19	7312	6.7	0.21	6521	6.7	0.25	5585	6.7	0.28	4928	6.7	0.32	4378	6.7	0.36	3873	6.7	0.42	3344	6.7	0.48	2907	6.7	0.54	2567	6.7	0.62	2244	6.7	0.71	1967	6.7								
	2.5	566	4				2.8	499	4	3.2	440	4	3.6	381	4	4.2	329	4	4.8	290	4	5.4	256	4	6.1	227	4	6.8	203	4	7.8	179	4	8.9	156	4	GR29R19 GRF29R19	0.18	10	135	4			12	118	4			13	104	4	GR29R19 GRF29R19	0.25	15	90	4			200	0.16	8595	4.7	GR39R19 GRF39R19		0.12	0.10	13598				5.1	GR49R39 GRF49R39				0.12																																													0.19	7411							4.7	0.20	6907	4.7	0.23			6038	4.7	0.27	5206	4.7	0.30	4651		4.7	0.34	4065	4.7			0.38	3658			4.7	0.44			3154	4.7	0.50	2757	4.7	0.58	2409	4.7	0.66	2106	4.7	0.76	1818	4.7	0.88	1576	4.7	1.0	1359	4.7	1.1	1267	4.7	1.3	1098	4.7	1.4	970	4.7	1.7	839	4.7	1.9	740	4.7	2.1	653	4.7	2.4	577	4.7	2.8	498	4.7	3.2	439	4.7	3.7	378	4.7	GR39R19 GRF39R19	0.12	4.2	328			4.7	2.5	5624	5.1	GR49R39 GRF49R39	0.12	2.8	502			5.1	3.2			429	5.1			3.7	372			5.1	4.0			348	5.1	4.6	301			5.1	5.5	255	5.1	6.1	228			5.1	0.11	12472	5.1	GR59R39 GRF59R39	0.12							0.13	10619			5.1	0.15	9155	5.1	0.16	8534	5.1	0.19			7460	5.1	0.20	6993	5.1	0.23					6171	5.1	0.25	5624					5.1	0.29	4849	5.1															0.31	4520	5.1	0.35	3951	5.1	0.38	3704	5.1	0.43	3268	5.1	0.48	2898	5.1	0.56	2463	5.1	0.54	2598	5.1	0.58	2383	5.1	0.69	2029	5.1	0.79	1749	5.1	0.85	1630	5.1	0.98	1425	5.1	1.0	1336	5.1	1.2	1179	5.1	1.3	1074	5.1	1.5	927	5.1	1.6	863	5.1	1.8	755	5.1	2.5	546	5.1	2.8	502	5.1	3.2	429	5.1	3.7	372	5.1	4.0	348	5.1	4.6	301	5.1	5.5	255	5.1	6.1	228	5.1	0.10	14369	6.7	0.11	12095	6.7	0.13	10860	6.7	0.15	9445	6.7	0.16	8480	6.7	0.19	7312	6.7	0.21	6521	6.7	0.25	5585	6.7	0.28	4928	6.7	0.32	4378	6.7	0.36	3873	6.7	0.42	3344	6.7	0.48	2907	6.7	0.54	2567	6.7	0.62	2244	6.7	0.71	1967	6.7												
	2.8	499	4	3.2	440		4	3.6	381	4	4.2	329	4	4.8	290	4	5.4	256	4	6.1	227	4	6.8	203	4	7.8	179	4	8.9	156	4	GR29R19 GRF29R19	0.18	10	135	4			12	118	4			13	104	4	GR29R19 GRF29R19	0.25	15	90	4			200	0.16	8595	4.7	GR39R19 GRF39R19		0.12	0.10	13598				5.1	GR49R39 GRF49R39				0.12																																																		0.19	7411							4.7	0.20	6907	4.7	0.23		6038	4.7	0.27	5206	4.7	0.30	4651	4.7	0.34	4065	4.7	0.38	3658	4.7		0.44	3154			4.7	0.50		2757	4.7	0.58	2409	4.7	0.66	2106	4.7	0.76	1818	4.7	0.88	1576	4.7	1.0	1359	4.7	1.1	1267	4.7	1.3	1098	4.7	1.4	970	4.7	1.7	839	4.7	1.9	740	4.7	2.1	653	4.7	2.4	577	4.7	2.8	498	4.7	3.2	439	4.7	3.7	378	4.7	GR39R19 GRF39R19	0.12	4.2	328			4.7	2.5	5624	5.1	GR49R39 GRF49R39	0.12	2.8	502			5.1	3.2			429	5.1			3.7	372			5.1	4.0			348	5.1			4.6	301	5.1	5.5			255	5.1	6.1	228	5.1	0.11			12472	5.1	GR59R39 GRF59R39	0.12									0.13	10619	5.1	0.15	9155	5.1	0.16	8534	5.1	0.19	7460	5.1			0.20	6993	5.1	0.23	6171	5.1			0.25	5624	5.1	0.29	4849	5.1					0.31	4520	5.1	0.35															3951	5.1	0.38	3704	5.1	0.43	3268	5.1	0.48	2898	5.1	0.56	2463	5.1	0.54	2598	5.1	0.58	2383	5.1	0.69	2029	5.1	0.79	1749	5.1	0.85	1630	5.1	0.98	1425	5.1	1.0	1336	5.1	1.2	1179	5.1	1.3	1074	5.1	1.5	927	5.1	1.6	863	5.1	1.8	755	5.1	2.5	546	5.1	2.8	502	5.1	3.2	429	5.1	3.7	372	5.1	4.0	348	5.1	4.6	301	5.1	5.5	255	5.1	6.1	228	5.1	0.10	14369	6.7	0.11	12095	6.7	0.13	10860	6.7	0.15	9445	6.7	0.16	8480	6.7	0.19	7312	6.7	0.21	6521	6.7	0.25	5585	6.7	0.28	4928	6.7	0.32	4378	6.7	0.36	3873	6.7	0.42	3344	6.7	0.48	2907	6.7	0.54	2567	6.7	0.62	2244	6.7	0.71	1967	6.7																
	3.2	440	4	3.6	381		4	4.2	329	4	4.8	290	4	5.4	256	4	6.1	227	4	6.8	203	4	7.8	179	4	8.9	156	4	GR29R19 GRF29R19	0.18	10			135	4	12			118	4	13	104	4	GR29R19 GRF29R19	0.25	15			90	4	200	0.16	8595		4.7	GR39R19 GRF39R19	0.12				0.10	13598				5.1																																																							GR49R39 GRF49R39	0.12					0.19		7411	4.7	0.20	6907	4.7	0.23	6038	4.7	0.27	5206	4.7	0.30	4651	4.7	0.34	4065	4.7	0.38	3658	4.7	0.44	3154	4.7	0.50		2757	4.7		0.58	2409	4.7	0.66	2106	4.7	0.76	1818	4.7	0.88	1576	4.7	1.0	1359	4.7	1.1	1267	4.7	1.3	1098	4.7	1.4	970	4.7	1.7	839	4.7	1.9	740	4.7	2.1	653	4.7	2.4	577	4.7	2.8	498	4.7	3.2	439	4.7	3.7	378	4.7	GR39R19 GRF39R19	0.12			4.2	328	4.7	2.5	5624	5.1	GR49R39 GRF49R39	0.12			2.8	502			5.1	3.2			429	5.1			3.7	372			5.1	4.0			348	5.1			4.6	301	5.1	5.5			255	5.1	6.1	228	5.1	0.11			12472	5.1					GR59R39 GRF59R39	0.12					0.13	10619	5.1	0.15	9155	5.1	0.16	8534	5.1	0.19	7460	5.1			0.20	6993	5.1	0.23	6171	5.1			0.25	5624	5.1	0.29	4849	5.1			0.31	4520	5.1	0.35	3951	5.1															0.38	3704	5.1	0.43	3268	5.1	0.48	2898	5.1	0.56	2463	5.1	0.54	2598	5.1	0.58	2383	5.1	0.69	2029	5.1	0.79	1749	5.1	0.85	1630	5.1	0.98	1425	5.1	1.0	1336	5.1	1.2	1179	5.1	1.3	1074	5.1	1.5	927	5.1	1.6	863	5.1	1.8	755	5.1	2.5	546	5.1	2.8	502	5.1	3.2	429	5.1	3.7	372	5.1	4.0	348	5.1	4.6	301	5.1	5.5	255	5.1	6.1	228	5.1	0.10	14369	6.7	0.11	12095	6.7	0.13	10860	6.7	0.15	9445	6.7	0.16	8480	6.7	0.19	7312	6.7	0.21	6521	6.7	0.25	5585	6.7	0.28	4928	6.7	0.32	4378	6.7	0.36	3873	6.7	0.42	3344	6.7	0.48	2907	6.7	0.54	2567	6.7	0.62	2244	6.7	0.71	1967	6.7																		
	3.6	381	4	4.2	329		4	4.8	290	4	5.4	256	4	6.1	227	4	6.8	203	4	7.8	179	4	8.9	156	4	GR29R19 GRF29R19	0.18	10			135			4	12	118	4	13	104	4	GR29R19 GRF29R19	0.25	15			90	4	200	0.16	8595		4.7	GR39R19 GRF39R19		0.12						0.10	13598				5.1																																										GR49R39 GRF49R39																		0.12	0.19		7411	4.7	0.20	6907	4.7	0.23	6038	4.7	0.27	5206	4.7	0.30	4651	4.7	0.34	4065	4.7	0.38	3658	4.7	0.44	3154	4.7	0.50	2757	4.7	0.58	2409	4.7	0.66	2106	4.7	0.76	1818	4.7	0.88	1576	4.7	1.0	1359	4.7	1.1	1267	4.7	1.3	1098	4.7	1.4	970	4.7	1.7	839	4.7	1.9	740	4.7	2.1	653	4.7	2.4	577	4.7	2.8	498	4.7	3.2	439	4.7	3.7	378	4.7	GR39R19 GRF39R19	0.12			4.2	328	4.7	2.5	5624	5.1	GR49R39 GRF49R39	0.12					2.8	502			5.1	3.2			429	5.1			3.7	372			5.1	4.0			348	5.1			4.6	301	5.1	5.5			255	5.1	6.1	228	5.1	0.11	12472	5.1	GR59R39 GRF59R39	0.12											0.13	10619	5.1	0.15	9155	5.1	0.16	8534	5.1	0.19	7460	5.1			0.20	6993	5.1	0.23	6171	5.1			0.25	5624	5.1	0.29	4849	5.1			0.31	4520	5.1	0.35	3951	5.1			0.38	3704											5.1	0.43	3268	5.1	0.48	2898	5.1	0.56	2463	5.1	0.54	2598	5.1	0.58	2383	5.1	0.69	2029	5.1	0.79	1749	5.1	0.85	1630	5.1	0.98	1425	5.1	1.0	1336	5.1	1.2	1179	5.1	1.3	1074	5.1	1.5	927	5.1	1.6	863	5.1	1.8	755	5.1	2.5	546	5.1	2.8	502	5.1	3.2	429	5.1	3.7	372	5.1	4.0	348	5.1	4.6	301	5.1	5.5	255	5.1	6.1	228	5.1	0.10	14369	6.7	0.11	12095	6.7	0.13	10860	6.7	0.15	9445	6.7	0.16	8480	6.7	0.19	7312	6.7	0.21	6521	6.7	0.25	5585	6.7	0.28	4928	6.7	0.32	4378	6.7	0.36	3873	6.7	0.42	3344	6.7	0.48	2907	6.7	0.54	2567	6.7	0.62	2244	6.7	0.71	1967	6.7																				
	4.2	329	4	4.8	290		4	5.4	256	4	6.1	227	4	6.8	203	4	7.8	179	4	8.9	156	4	GR29R19 GRF29R19	0.18	10			135			4	12	118	4	13	104	4	GR29R19 GRF29R19	0.25	15			90	4	200	0.16	8595		4.7	GR39R19 GRF39R19		0.12									0.10	13598				5.1																																				GR49R39 GRF49R39				0.12														0.19							7411	4.7	0.20	6907	4.7	0.23	6038	4.7	0.27	5206	4.7	0.30	4651	4.7	0.34	4065	4.7	0.38	3658	4.7	0.44	3154	4.7	0.50	2757	4.7	0.58	2409	4.7	0.66	2106	4.7	0.76	1818	4.7	0.88	1576	4.7	1.0	1359	4.7	1.1	1267	4.7	1.3	1098	4.7	1.4	970	4.7	1.7	839	4.7	1.9	740	4.7	2.1	653	4.7	2.4	577	4.7	2.8	498	4.7	3.2	439	4.7	3.7	378	4.7	GR39R19 GRF39R19	0.12			4.2	328	4.7	2.5	5624	5.1	GR49R39 GRF49R39	0.12							2.8	502			5.1	3.2			429	5.1			3.7	372			5.1	4.0			348	5.1			4.6	301	5.1	5.5	255	5.1	6.1	228	5.1	0.11	12472	5.1	GR59R39 GRF59R39	0.12													0.13	10619	5.1	0.15	9155	5.1	0.16	8534	5.1	0.19	7460	5.1			0.20	6993	5.1	0.23	6171	5.1			0.25	5624	5.1	0.29	4849	5.1			0.31	4520	5.1	0.35	3951	5.1			0.38	3704					5.1	0.43					3268	5.1	0.48	2898	5.1	0.56	2463	5.1	0.54	2598	5.1	0.58	2383	5.1	0.69	2029	5.1	0.79	1749	5.1	0.85	1630	5.1	0.98	1425	5.1	1.0	1336	5.1	1.2	1179	5.1	1.3	1074	5.1	1.5	927	5.1	1.6	863	5.1	1.8	755	5.1	2.5	546	5.1	2.8	502	5.1	3.2	429	5.1	3.7	372	5.1	4.0	348	5.1	4.6	301	5.1	5.5	255	5.1	6.1	228	5.1	0.10	14369	6.7	0.11	12095	6.7	0.13	10860	6.7	0.15	9445	6.7	0.16	8480	6.7	0.19	7312	6.7	0.21	6521	6.7	0.25	5585	6.7	0.28	4928	6.7	0.32	4378	6.7	0.36	3873	6.7	0.42	3344	6.7	0.48	2907	6.7	0.54	2567	6.7	0.62	2244	6.7	0.71	1967	6.7																						
	4.8	290	4	5.4	256		4	6.1	227	4	6.8	203	4	7.8	179	4	8.9	156	4	GR29R19 GRF29R19	0.18	10			135			4	12	118	4	13	104	4	GR29R19 GRF29R19	0.25	15			90	4	200	0.16	8595		4.7	GR39R19 GRF39R19		0.12												0.10	13598				5.1																															GR49R39 GRF49R39				0.12											0.19							7411	4.7							0.20	6907	4.7	0.23	6038	4.7	0.27	5206	4.7	0.30	4651	4.7	0.34	4065	4.7	0.38	3658	4.7	0.44	3154	4.7	0.50	2757	4.7	0.58	2409	4.7	0.66	2106	4.7	0.76	1818	4.7	0.88	1576	4.7	1.0	1359	4.7	1.1	1267	4.7	1.3	1098	4.7	1.4	970	4.7	1.7	839	4.7	1.9	740	4.7	2.1	653	4.7	2.4	577	4.7	2.8	498	4.7	3.2	439	4.7	3.7	378	4.7	GR39R19 GRF39R19	0.12			4.2	328	4.7	2.5	5624	5.1	GR49R39 GRF49R39	0.12									2.8	502			5.1	3.2			429	5.1			3.7	372			5.1	4.0			348	5.1	4.6	301	5.1	5.5	255	5.1	6.1	228	5.1	0.11	12472	5.1	GR59R39 GRF59R39	0.12															0.13	10619	5.1	0.15	9155	5.1	0.16	8534	5.1	0.19	7460	5.1			0.20	6993	5.1	0.23	6171	5.1			0.25	5624	5.1	0.29	4849	5.1			0.31	4520	5.1	0.35	3951	5.1			0.38	3704					5.1	0.43	3268	5.1			0.48	2898	5.1	0.56	2463	5.1	0.54	2598	5.1	0.58	2383	5.1	0.69	2029	5.1	0.79	1749	5.1	0.85	1630	5.1	0.98	1425	5.1	1.0	1336	5.1	1.2	1179	5.1	1.3	1074	5.1	1.5	927	5.1	1.6	863	5.1	1.8	755	5.1	2.5	546	5.1	2.8	502	5.1	3.2	429	5.1	3.7	372	5.1	4.0	348	5.1	4.6	301	5.1	5.5	255	5.1	6.1	228	5.1	0.10	14369	6.7	0.11	12095	6.7	0.13	10860	6.7	0.15	9445	6.7	0.16	8480	6.7	0.19	7312	6.7	0.21	6521	6.7	0.25	5585	6.7	0.28	4928	6.7	0.32	4378	6.7	0.36	3873	6.7	0.42	3344	6.7	0.48	2907	6.7	0.54	2567	6.7	0.62	2244	6.7	0.71	1967	6.7																								
	5.4	256	4	6.1	227		4	6.8	203	4	7.8	179	4	8.9	156	4	GR29R19 GRF29R19	0.18	10			135			4	12	118	4	13	104	4	GR29R19 GRF29R19	0.25	15			90	4	200	0.16	8595		4.7	GR39R19 GRF39R19		0.12															0.10	13598				5.1																										GR49R39 GRF49R39				0.12													0.19		7411	4.7							0.20	6907							4.7	0.23	6038	4.7	0.27	5206	4.7	0.30	4651	4.7	0.34	4065	4.7	0.38	3658	4.7	0.44	3154	4.7	0.50	2757	4.7	0.58	2409	4.7	0.66	2106	4.7	0.76	1818	4.7	0.88	1576	4.7	1.0	1359	4.7	1.1	1267	4.7	1.3	1098	4.7	1.4	970	4.7	1.7	839	4.7	1.9	740	4.7	2.1	653	4.7	2.4	577	4.7	2.8	498	4.7	3.2	439	4.7	3.7	378	4.7	GR39R19 GRF39R19	0.12			4.2	328	4.7	2.5	5624	5.1	GR49R39 GRF49R39	0.12											2.8	502			5.1	3.2			429	5.1			3.7	372			5.1	4.0	348	5.1	4.6	301	5.1	5.5	255	5.1	6.1	228	5.1	0.11	12472	5.1	GR59R39 GRF59R39	0.12																	0.13	10619	5.1	0.15	9155	5.1	0.16	8534	5.1	0.19	7460	5.1			0.20	6993	5.1	0.23	6171	5.1			0.25	5624	5.1	0.29	4849	5.1			0.31	4520	5.1	0.35	3951	5.1			0.38	3704					5.1	0.43	3268	5.1	0.48	2898	5.1	0.56	2463	5.1	0.54	2598	5.1	0.58	2383	5.1	0.69	2029	5.1	0.79	1749	5.1	0.85	1630	5.1	0.98	1425	5.1	1.0	1336	5.1	1.2	1179	5.1	1.3	1074	5.1	1.5	927	5.1	1.6	863	5.1	1.8	755	5.1	2.5	546	5.1	2.8	502	5.1	3.2	429	5.1	3.7	372	5.1	4.0	348	5.1	4.6	301	5.1	5.5	255	5.1	6.1	228	5.1	0.10	14369	6.7	0.11	12095	6.7	0.13	10860	6.7	0.15	9445	6.7	0.16	8480	6.7	0.19	7312	6.7	0.21	6521	6.7	0.25	5585	6.7	0.28	4928	6.7	0.32	4378	6.7	0.36	3873	6.7	0.42	3344	6.7	0.48	2907	6.7	0.54	2567	6.7	0.62	2244	6.7	0.71	1967	6.7																										
6.1	227	4	6.8	203	4	7.8	179	4	8.9	156	4	GR29R19 GRF29R19	0.18	10	135	4			12			118	4	13	104	4	GR29R19 GRF29R19	0.25	15	90	4			200	0.16	8595	4.7	GR39R19 GRF39R19		0.12	0.10		13598																		5.1	GR49R39 GRF49R39				0.12																					0.19				7411												4.7		0.20				6907		4.7	0.23							6038	4.7							0.27	5206	4.7	0.30	4651	4.7	0.34	4065	4.7	0.38	3658	4.7	0.44	3154	4.7	0.50	2757	4.7	0.58	2409	4.7	0.66	2106	4.7	0.76	1818	4.7	0.88	1576	4.7	1.0	1359	4.7	1.1	1267	4.7	1.3	1098	4.7	1.4	970	4.7	1.7	839	4.7	1.9	740	4.7	2.1	653	4.7	2.4	577	4.7	2.8	498	4.7	3.2	439	4.7	3.7	378	4.7	GR39R19 GRF39R19	0.12	4.2	328			4.7	2.5	5624	5.1	GR49R39 GRF49R39	0.12	2.8	502													5.1	3.2			429	5.1			3.7	372			5.1	4.0	348	5.1	4.6	301	5.1	5.5	255	5.1	6.1	228	5.1	0.11	12472	5.1	GR59R39 GRF59R39	0.12	0.13	10619																			5.1	0.15	9155	5.1	0.16	8534	5.1	0.19	7460	5.1	0.20	6993			5.1	0.23	6171	5.1	0.25	5624			5.1	0.29	4849	5.1	0.31	4520			5.1	0.35	3951	5.1	0.38	3704			5.1	0.43			3268	5.1	0.48	2898	5.1	0.56	2463	5.1	0.54	2598	5.1	0.58	2383	5.1	0.69	2029	5.1	0.79	1749	5.1	0.85	1630	5.1	0.98	1425	5.1	1.0	1336	5.1	1.2	1179	5.1	1.3	1074	5.1	1.5	927	5.1	1.6	863	5.1	1.8	755	5.1	2.5	546	5.1	2.8	502	5.1	3.2	429	5.1	3.7	372	5.1	4.0	348	5.1	4.6	301	5.1	5.5	255	5.1	6.1	228	5.1	0.10	14369	6.7	0.11	12095	6.7	0.13	10860	6.7	0.15	9445	6.7	0.16	8480	6.7	0.19	7312	6.7	0.21	6521	6.7	0.25	5585	6.7	0.28	4928	6.7	0.32	4378	6.7	0.36	3873	6.7	0.42	3344	6.7	0.48	2907	6.7	0.54	2567	6.7	0.62	2244	6.7	0.71	1967	6.7																														
6.8	203	4	7.8	179	4	8.9	156	4	GR29R19 GRF29R19	0.18	10			135	4	12			118	4	13	104	4	GR29R19 GRF29R19	0.25	15			90	4	200	0.16	8595		4.7	GR39R19 GRF39R19	0.12				0.10		13598																		5.1																					GR49R39 GRF49R39				0.12	0.19				7411							4.7		0.20			6907		4.7				0.23		6038	4.7					0.27		5206	4.7							0.30	4651	4.7	0.34	4065	4.7	0.38	3658	4.7	0.44	3154	4.7	0.50	2757	4.7	0.58	2409	4.7	0.66	2106	4.7	0.76	1818	4.7	0.88	1576	4.7	1.0	1359	4.7	1.1	1267	4.7	1.3	1098	4.7	1.4	970	4.7	1.7	839	4.7	1.9	740	4.7	2.1	653	4.7	2.4	577	4.7	2.8	498	4.7	3.2	439	4.7	3.7	378	4.7	GR39R19 GRF39R19	0.12	4.2			328	4.7	2.5	5624	5.1	GR49R39 GRF49R39	0.12	2.8			502	5.1													3.2	429			5.1	3.7			372	5.1	4.0	348	5.1	4.6	301	5.1	5.5	255	5.1	6.1	228	5.1	0.11	12472	5.1	GR59R39 GRF59R39	0.12	0.13			10619	5.1																			0.15	9155	5.1	0.16	8534	5.1	0.19	7460	5.1	0.20	6993	5.1			0.23	6171	5.1	0.25	5624	5.1			0.29	4849	5.1	0.31	4520	5.1			0.35	3951	5.1	0.38	3704	5.1			0.43	3268	5.1	0.48	2898	5.1	0.56	2463	5.1	0.54	2598	5.1	0.58	2383	5.1	0.69	2029	5.1	0.79	1749	5.1	0.85	1630	5.1	0.98	1425	5.1	1.0	1336	5.1	1.2	1179	5.1	1.3	1074	5.1	1.5	927	5.1	1.6	863	5.1	1.8	755	5.1	2.5	546	5.1	2.8	502	5.1	3.2	429	5.1	3.7	372	5.1	4.0	348	5.1	4.6	301	5.1	5.5	255	5.1	6.1	228	5.1	0.10	14369	6.7	0.11	12095	6.7	0.13	10860	6.7	0.15	9445	6.7	0.16	8480	6.7	0.19	7312	6.7	0.21	6521	6.7	0.25	5585	6.7	0.28	4928	6.7	0.32	4378	6.7	0.36	3873	6.7	0.42	3344	6.7	0.48	2907	6.7	0.54	2567	6.7	0.62	2244	6.7	0.71	1967	6.7																																	
7.8	179	4	8.9	156	4	GR29R19 GRF29R19	0.18	10			135			4	12	118	4	13	104	4	GR29R19 GRF29R19	0.25	15			90	4	200	0.16	8595		4.7	GR39R19 GRF39R19		0.12						0.10		13598																		5.1																GR49R39 GRF49R39				0.12						0.19				7411		4.7		0.20			6907		4.7			0.23		6038				4.7		0.27	5206					4.7		0.30	4651			4.7				0.34	4065	4.7	0.38	3658	4.7	0.44	3154	4.7	0.50	2757	4.7	0.58	2409	4.7	0.66	2106	4.7	0.76	1818	4.7	0.88	1576	4.7	1.0	1359	4.7	1.1	1267	4.7	1.3	1098	4.7	1.4	970	4.7	1.7	839	4.7	1.9	740	4.7	2.1	653	4.7	2.4	577	4.7	2.8	498	4.7	3.2	439	4.7	3.7	378	4.7	GR39R19 GRF39R19	0.12	4.2			328	4.7	2.5	5624	5.1	GR49R39 GRF49R39	0.12	2.8			502			5.1	3.2													429	5.1			3.7	372	5.1	4.0	348	5.1	4.6	301	5.1	5.5	255	5.1	6.1	228	5.1	0.11	12472	5.1	GR59R39 GRF59R39	0.12	0.13			10619			5.1	0.15																			9155	5.1	0.16	8534	5.1	0.19	7460	5.1	0.20	6993	5.1	0.23			6171	5.1	0.25	5624	5.1	0.29			4849	5.1	0.31	4520	5.1	0.35			3951	5.1	0.38	3704	5.1	0.43	3268	5.1	0.48	2898	5.1	0.56	2463	5.1	0.54	2598	5.1	0.58	2383	5.1	0.69	2029	5.1	0.79	1749	5.1	0.85	1630	5.1	0.98	1425	5.1	1.0	1336	5.1	1.2	1179	5.1	1.3	1074	5.1	1.5	927	5.1	1.6	863	5.1	1.8	755	5.1	2.5	546	5.1	2.8	502	5.1	3.2	429	5.1	3.7	372	5.1	4.0	348	5.1	4.6	301	5.1	5.5	255	5.1	6.1	228	5.1	0.10	14369	6.7	0.11	12095	6.7	0.13	10860	6.7	0.15	9445	6.7	0.16	8480	6.7	0.19	7312	6.7	0.21	6521	6.7	0.25	5585	6.7	0.28	4928	6.7	0.32	4378	6.7	0.36	3873	6.7	0.42	3344	6.7	0.48	2907	6.7	0.54	2567	6.7	0.62	2244	6.7	0.71	1967	6.7																																				
8.9	156	4	GR29R19 GRF29R19	0.18	10			135			4	12	118	4	13	104	4	GR29R19 GRF29R19	0.25	15			90	4	200	0.16	8595		4.7	GR39R19 GRF39R19		0.12									0.10		13598																		5.1											GR49R39 GRF49R39				0.12											0.19	7411		4.7	0.20		6907		4.7			0.23		6038			4.7		0.27				5206		4.7	0.30					4651		4.7	0.34			4065		4.7		0.38	3658	4.7	0.44	3154	4.7	0.50	2757	4.7	0.58	2409	4.7	0.66	2106	4.7	0.76	1818	4.7	0.88	1576	4.7	1.0	1359	4.7	1.1	1267	4.7	1.3	1098	4.7	1.4	970	4.7	1.7	839	4.7	1.9	740	4.7	2.1	653	4.7	2.4	577	4.7	2.8	498	4.7	3.2	439	4.7	3.7	378	4.7	GR39R19 GRF39R19	0.12	4.2			328	4.7	2.5	5624	5.1	GR49R39 GRF49R39	0.12	2.8			502			5.1			3.2	429													5.1	3.7	372	5.1	4.0	348	5.1	4.6	301	5.1	5.5	255	5.1	6.1	228	5.1	0.11	12472	5.1	GR59R39 GRF59R39	0.12	0.13			10619			5.1			0.15	9155																			5.1	0.16	8534	5.1	0.19	7460	5.1	0.20	6993	5.1	0.23	6171			5.1	0.25	5624	5.1	0.29	4849			5.1	0.31	4520	5.1	0.35	3951	5.1	0.38	3704	5.1	0.43	3268	5.1	0.48	2898	5.1	0.56	2463	5.1	0.54	2598	5.1	0.58	2383	5.1	0.69	2029	5.1	0.79	1749	5.1	0.85	1630	5.1	0.98	1425	5.1	1.0	1336	5.1	1.2	1179	5.1	1.3	1074	5.1	1.5	927	5.1	1.6	863	5.1	1.8	755	5.1	2.5	546	5.1	2.8	502	5.1	3.2	429	5.1	3.7	372	5.1	4.0	348	5.1	4.6	301	5.1	5.5	255	5.1	6.1	228	5.1	0.10	14369	6.7	0.11	12095	6.7	0.13	10860	6.7	0.15	9445	6.7	0.16	8480	6.7	0.19	7312	6.7	0.21	6521	6.7	0.25	5585	6.7	0.28	4928	6.7	0.32	4378	6.7	0.36	3873	6.7	0.42	3344	6.7	0.48	2907	6.7	0.54	2567	6.7	0.62	2244	6.7	0.71	1967	6.7																																							
10	135	4			12			118	4	13	104	4	GR29R19 GRF29R19	0.25	15	90	4			200	0.16	8595	4.7	GR39R19 GRF39R19		0.12	0.10		13598												5.1		GR49R39 GRF49R39																		0.12						0.19				7411												4.7		0.20		6907	4.7		0.23	6038		4.7		0.27			5206		4.7			0.30		4651				4.7		0.34	4065					4.7		0.38	3658			4.7	0.44	3154		4.7	0.50	2757	4.7	0.58	2409	4.7	0.66	2106	4.7	0.76	1818	4.7	0.88	1576	4.7	1.0	1359	4.7	1.1	1267	4.7	1.3	1098	4.7	1.4	970	4.7	1.7	839	4.7	1.9	740	4.7	2.1	653	4.7	2.4	577	4.7	2.8	498	4.7	3.2	439	4.7	3.7	378	4.7	GR39R19 GRF39R19	0.12	4.2	328	4.7			2.5	5624	5.1	GR49R39 GRF49R39	0.12	2.8	502	5.1			3.2			429			5.1			3.7	372											5.1	4.0	348	5.1	4.6	301	5.1	5.5	255	5.1	6.1	228	5.1	0.11	12472	5.1	GR59R39 GRF59R39	0.12	0.13	10619	5.1			0.15			9155			5.1			0.16	8534																			5.1	0.19	7460	5.1	0.20	6993	5.1	0.23	6171	5.1	0.25	5624			5.1	0.29	4849	5.1	0.31	4520	5.1	0.35	3951	5.1	0.38	3704	5.1	0.43	3268	5.1	0.48	2898	5.1	0.56	2463	5.1	0.54	2598	5.1	0.58	2383	5.1	0.69	2029	5.1	0.79	1749	5.1	0.85	1630	5.1	0.98	1425	5.1	1.0	1336	5.1	1.2	1179	5.1	1.3	1074	5.1	1.5	927	5.1	1.6	863	5.1	1.8	755	5.1	2.5	546	5.1	2.8	502	5.1	3.2	429	5.1	3.7	372	5.1	4.0	348	5.1	4.6	301	5.1	5.5	255	5.1	6.1	228	5.1	0.10	14369	6.7	0.11	12095	6.7	0.13	10860	6.7	0.15	9445	6.7	0.16	8480	6.7	0.19	7312	6.7	0.21	6521	6.7	0.25	5585	6.7	0.28	4928	6.7	0.32	4378	6.7	0.36	3873	6.7	0.42	3344	6.7	0.48	2907	6.7	0.54	2567	6.7	0.62	2244	6.7	0.71	1967	6.7																																												
12	118	4			13	104	4	GR29R19 GRF29R19	0.25	15	90	4			200	0.16	8595	4.7	GR39R19 GRF39R19		0.12	0.10	13598				5.1		GR49R39 GRF49R39												0.12																										0.19				7411							4.7		0.20			6907		4.7		0.23	6038		4.7	0.27		5206		4.7			0.30		4651			4.7		0.34				4065		4.7	0.38					3658	4.7	0.44	3154	4.7	0.50	2757	4.7	0.58		2409	4.7	0.66	2106	4.7	0.76	1818	4.7	0.88	1576	4.7	1.0	1359	4.7	1.1	1267	4.7	1.3	1098	4.7	1.4	970	4.7	1.7	839	4.7	1.9	740	4.7	2.1	653	4.7	2.4	577	4.7	2.8	498	4.7	3.2	439	4.7	3.7	378	4.7	GR39R19 GRF39R19	0.12	4.2	328	4.7			2.5	5624	5.1	GR49R39 GRF49R39	0.12	2.8	502	5.1			3.2	429	5.1			3.7			372			5.1			4.0	348									5.1	4.6	301	5.1	5.5	255	5.1	6.1	228	5.1	0.11	12472	5.1	GR59R39 GRF59R39	0.12	0.13	10619	5.1			0.15	9155	5.1			0.16			8534			5.1			0.19	7460																			5.1	0.20	6993	5.1	0.23	6171	5.1	0.25	5624	5.1	0.29	4849	5.1	0.31	4520	5.1	0.35	3951	5.1	0.38	3704	5.1	0.43	3268	5.1	0.48	2898	5.1	0.56	2463	5.1	0.54	2598	5.1	0.58	2383	5.1	0.69	2029	5.1	0.79	1749	5.1	0.85	1630	5.1	0.98	1425	5.1	1.0	1336	5.1	1.2	1179	5.1	1.3	1074	5.1	1.5	927	5.1	1.6	863	5.1	1.8	755	5.1	2.5	546	5.1	2.8	502	5.1	3.2	429	5.1	3.7	372	5.1	4.0	348	5.1	4.6	301	5.1	5.5	255	5.1	6.1	228	5.1	0.10	14369	6.7	0.11	12095	6.7	0.13	10860	6.7	0.15	9445	6.7	0.16	8480	6.7	0.19	7312	6.7	0.21	6521	6.7	0.25	5585	6.7	0.28	4928	6.7	0.32	4378	6.7	0.36	3873	6.7	0.42	3344	6.7	0.48	2907	6.7	0.54	2567	6.7	0.62	2244	6.7	0.71	1967	6.7																																																	
13	104	4	GR29R19 GRF29R19	0.25	15	90	4			200	0.16	8595	4.7	GR39R19 GRF39R19		0.12	0.10	13598				5.1	GR49R39 GRF49R39				0.12																																								0.19				7411		4.7		0.20			6907		4.7			0.23		6038		4.7	0.27		5206	4.7		0.30		4651			4.7		0.34			4065		4.7			0.38	3658		4.7	0.44				3154	4.7	0.50	2757	4.7	0.58	2409	4.7	0.66	2106	4.7	0.76	1818	4.7	0.88	1576	4.7	1.0	1359	4.7	1.1	1267	4.7	1.3	1098	4.7	1.4	970	4.7	1.7	839	4.7	1.9	740	4.7	2.1	653	4.7	2.4	577	4.7	2.8	498	4.7	3.2	439	4.7	3.7	378	4.7	GR39R19 GRF39R19	0.12	4.2	328	4.7			2.5	5624	5.1	GR49R39 GRF49R39	0.12	2.8	502	5.1			3.2	429	5.1			3.7	372	5.1			4.0			348			5.1			4.6	301							5.1	5.5	255	5.1	6.1	228	5.1	0.11	12472	5.1	GR59R39 GRF59R39	0.12	0.13	10619	5.1			0.15	9155	5.1			0.16	8534	5.1			0.19			7460			5.1			0.20	6993																	5.1	0.23	6171	5.1	0.25	5624	5.1	0.29	4849	5.1	0.31	4520	5.1	0.35	3951	5.1	0.38	3704	5.1	0.43	3268	5.1	0.48	2898	5.1	0.56	2463	5.1	0.54	2598	5.1	0.58	2383	5.1	0.69	2029	5.1	0.79	1749	5.1	0.85	1630	5.1	0.98	1425	5.1	1.0	1336	5.1	1.2	1179	5.1	1.3	1074	5.1	1.5	927	5.1	1.6	863	5.1	1.8	755	5.1	2.5	546	5.1	2.8	502	5.1	3.2	429	5.1	3.7	372	5.1	4.0	348	5.1	4.6	301	5.1	5.5	255	5.1	6.1	228	5.1	0.10	14369	6.7	0.11	12095	6.7	0.13	10860	6.7	0.15	9445	6.7	0.16	8480	6.7	0.19	7312	6.7	0.21	6521	6.7	0.25	5585	6.7	0.28	4928	6.7	0.32	4378	6.7	0.36	3873	6.7	0.42	3344	6.7	0.48	2907	6.7	0.54	2567	6.7	0.62	2244	6.7	0.71	1967	6.7																																																						
15	90	4			200	0.16	8595	4.7	GR39R19 GRF39R19		0.12	0.10	13598				5.1	GR49R39 GRF49R39				0.12																																													0.19	7411		4.7	0.20		6907		4.7			0.23		6038			4.7		0.27		5206	4.7		0.30	4651		4.7		0.34			4065		4.7		0.38	3658		4.7	0.44		3154	4.7		0.50	2757			4.7	0.58	2409	4.7	0.66	2106	4.7	0.76	1818	4.7	0.88	1576	4.7	1.0	1359	4.7	1.1	1267	4.7	1.3	1098	4.7	1.4	970	4.7	1.7	839	4.7	1.9	740	4.7	2.1	653	4.7	2.4	577	4.7	2.8	498	4.7	3.2	439	4.7	3.7	378	4.7	GR39R19 GRF39R19	0.12	4.2	328	4.7			2.5	5624	5.1	GR49R39 GRF49R39	0.12	2.8	502	5.1			3.2	429	5.1			3.7	372	5.1			4.0	348	5.1			4.6			301			5.1			5.5	255					5.1	6.1	228	5.1	0.11	12472	5.1	GR59R39 GRF59R39	0.12	0.13	10619	5.1			0.15	9155	5.1			0.16	8534	5.1			0.19	7460	5.1			0.20			6993			5.1			0.23	6171															5.1	0.25	5624	5.1	0.29	4849	5.1	0.31	4520	5.1	0.35	3951	5.1	0.38	3704	5.1	0.43	3268	5.1	0.48	2898	5.1	0.56	2463	5.1	0.54	2598	5.1	0.58	2383	5.1	0.69	2029	5.1	0.79	1749	5.1	0.85	1630	5.1	0.98	1425	5.1	1.0	1336	5.1	1.2	1179	5.1	1.3	1074	5.1	1.5	927	5.1	1.6	863	5.1	1.8	755	5.1	2.5	546	5.1	2.8	502	5.1	3.2	429	5.1	3.7	372	5.1	4.0	348	5.1	4.6	301	5.1	5.5	255	5.1	6.1	228	5.1	0.10	14369	6.7	0.11	12095	6.7	0.13	10860	6.7	0.15	9445	6.7	0.16	8480	6.7	0.19	7312	6.7	0.21	6521	6.7	0.25	5585	6.7	0.28	4928	6.7	0.32	4378	6.7	0.36	3873	6.7	0.42	3344	6.7	0.48	2907	6.7	0.54	2567	6.7	0.62	2244	6.7	0.71	1967	6.7																																																											
200	0.16	8595	4.7	GR39R19 GRF39R19		0.12	0.10	13598				5.1	GR49R39 GRF49R39				0.12																																																																																																																																																																																																																																																																																																																																																																																																																																																				
	0.19	7411	4.7				0.20	6907				4.7																																														0.23		6038			4.7		0.27		5206	4.7		0.30	4651		4.7		0.34			4065		4.7			0.38		3658		4.7	0.44		3154	4.7	0.50	2757		4.7	0.58	2409	4.7		0.66	2106	4.7	0.76		1818	4.7		0.88	1576		4.7	1.0	1359	4.7	1.1	1267	4.7	1.3	1098	4.7	1.4	970	4.7	1.7	839	4.7	1.9	740	4.7	2.1	653	4.7	2.4	577	4.7	2.8	498	4.7	3.2	439	4.7	3.7	378	4.7	GR39R19 GRF39R19	0.12	4.2	328	4.7	2.5	5624	5.1	GR49R39 GRF49R39	0.12	2.8	502	5.1	3.2	429	5.1	3.7	372	5.1	4.0	348	5.1	4.6	301	5.1	5.5			255	5.1	6.1			228	5.1	0.11			12472	5.1	GR59R39 GRF59R39			0.12	0.13	10619			5.1			0.15			9155			5.1	0.16	8534	5.1	0.19	7460	5.1	0.20	6993	5.1	0.23	6171	5.1			0.25	5624	5.1			0.29	4849	5.1			0.31	4520	5.1			0.35	3951	5.1			0.38			3704			5.1			0.43	3268									5.1	0.48	2898	5.1			0.56	2463	5.1	0.54	2598	5.1	0.58	2383	5.1	0.69	2029	5.1	0.79	1749	5.1	0.85	1630	5.1	0.98	1425	5.1	1.0	1336	5.1	1.2	1179	5.1	1.3	1074	5.1	1.5	927	5.1	1.6	863	5.1	1.8	755	5.1	2.5	546	5.1	2.8	502	5.1	3.2	429	5.1	3.7	372	5.1	4.0	348	5.1	4.6	301	5.1	5.5	255	5.1	6.1	228	5.1	0.10	14369	6.7	0.11	12095	6.7	0.13	10860	6.7	0.15	9445	6.7	0.16	8480	6.7	0.19	7312	6.7	0.21	6521	6.7	0.25	5585	6.7	0.28	4928	6.7	0.32	4378	6.7	0.36	3873	6.7	0.42	3344	6.7	0.48	2907	6.7	0.54	2567	6.7	0.62	2244	6.7	0.71	1967	6.7																																																																																	
	0.20	6907	4.7				0.23	6038				4.7																																												0.27	5206	4.7		0.30		4651	4.7		0.34	4065	4.7	0.38		3658	4.7		0.44		3154			4.7		0.50			2757		4.7		0.58	2409		4.7	0.66	2106	4.7		0.76	1818	4.7	0.88		1576	4.7	1.0	1359		4.7	1.1		1267	4.7	1.3	1098	4.7	1.4	970	4.7	1.7	839	4.7	1.9	740	4.7	2.1	653	4.7	2.4	577	4.7	2.8	498	4.7	3.2	439	4.7	3.7	378	4.7	GR39R19 GRF39R19	0.12	4.2	328	4.7	2.5	5624	5.1			GR49R39 GRF49R39	0.12	2.8	502	5.1	3.2			429	5.1	3.7	372	5.1	4.0	348	5.1	4.6	301	5.1	5.5	255	5.1	6.1	228			5.1	0.11	12472			5.1	GR59R39 GRF59R39	0.12			0.13	10619					5.1	0.15			9155			5.1			0.16	8534	5.1	0.19	7460	5.1	0.20	6993	5.1	0.23	6171	5.1	0.25	5624	5.1	0.29			4849	5.1	0.31			4520	5.1	0.35			3951	5.1	0.38			3704	5.1	0.43			3268			5.1			0.48			2898	5.1									0.56	2463	5.1	0.54	2598	5.1	0.58	2383	5.1	0.69	2029	5.1	0.79	1749	5.1	0.85	1630	5.1	0.98	1425	5.1	1.0	1336	5.1	1.2	1179	5.1	1.3	1074	5.1	1.5	927	5.1	1.6	863	5.1	1.8	755	5.1	2.5	546	5.1	2.8	502	5.1	3.2	429	5.1	3.7	372	5.1	4.0	348	5.1	4.6	301	5.1	5.5	255	5.1	6.1	228	5.1	0.10	14369	6.7	0.11	12095	6.7	0.13	10860	6.7	0.15	9445	6.7	0.16	8480	6.7	0.19	7312	6.7	0.21	6521	6.7	0.25	5585	6.7	0.28	4928	6.7	0.32	4378	6.7	0.36	3873	6.7	0.42	3344	6.7	0.48	2907	6.7	0.54	2567	6.7	0.62	2244	6.7	0.71	1967	6.7																																																																																							
	0.23	6038	4.7				0.27	5206				4.7																																									0.30		4651	4.7	0.34	4065		4.7		0.38	3658		4.7	0.44	3154	4.7		0.50	2757		4.7		0.58			2409		4.7		0.66	2106		4.7	0.76	1818	4.7		0.88	1576	4.7	1.0		1359	4.7	1.1	1267		4.7	1.3	1098	4.7		1.4	970	4.7	1.7	839	4.7	1.9	740	4.7	2.1	653	4.7	2.4	577	4.7	2.8	498	4.7	3.2	439	4.7	3.7	378	4.7	GR39R19 GRF39R19	0.12	4.2	328	4.7	2.5	5624	5.1			GR49R39 GRF49R39	0.12	2.8	502	5.1	3.2	429	5.1			3.7	372	5.1	4.0			348	5.1	4.6	301	5.1	5.5	255	5.1	6.1	228	5.1	0.11	12472	5.1	GR59R39 GRF59R39	0.12			0.13	10619	5.1			0.15					9155	5.1					0.16	8534			5.1			0.19	7460	5.1	0.20	6993	5.1	0.23	6171	5.1	0.25	5624	5.1	0.29	4849	5.1	0.31	4520	5.1	0.35			3951	5.1	0.38			3704	5.1	0.43			3268	5.1	0.48			2898	5.1	0.56			2463			5.1			0.54			2598	5.1							0.58	2383	5.1	0.69	2029	5.1	0.79	1749	5.1	0.85	1630	5.1	0.98	1425	5.1	1.0	1336	5.1	1.2	1179	5.1	1.3	1074	5.1	1.5	927	5.1	1.6	863	5.1	1.8	755	5.1	2.5	546	5.1	2.8	502	5.1	3.2	429	5.1	3.7	372	5.1	4.0	348	5.1	4.6	301	5.1	5.5	255	5.1	6.1	228	5.1	0.10	14369	6.7	0.11	12095	6.7	0.13	10860	6.7	0.15	9445	6.7	0.16	8480	6.7	0.19	7312	6.7	0.21	6521	6.7	0.25	5585	6.7	0.28	4928	6.7	0.32	4378	6.7	0.36	3873	6.7	0.42	3344	6.7	0.48	2907	6.7	0.54	2567	6.7	0.62	2244	6.7	0.71	1967	6.7																																																																																															
	0.27	5206	4.7				0.30	4651				4.7																																						0.34		4065	4.7		0.38	3658	4.7	0.44		3154		4.7	0.50		2757	4.7	0.58	2409		4.7	0.66		2106		4.7		0.76	1818		4.7	0.88	1576	4.7		1.0	1359	4.7	1.1		1267	4.7	1.3	1098		4.7	1.4	970	4.7		1.7	839	4.7	1.9	740	4.7	2.1	653	4.7	2.4	577	4.7	2.8	498	4.7	3.2	439	4.7	3.7	378	4.7	GR39R19 GRF39R19	0.12	4.2	328	4.7	2.5	5624	5.1			GR49R39 GRF49R39	0.12	2.8	502	5.1	3.2	429	5.1			3.7	372	5.1	4.0	348	5.1			4.6	301	5.1	5.5			255	5.1	6.1	228	5.1	0.11	12472	5.1	GR59R39 GRF59R39	0.12	0.13	10619	5.1	0.15					9155	5.1	0.16			8534					5.1	0.19					7460	5.1			0.20	6993	5.1	0.23	6171	5.1	0.25	5624	5.1	0.29	4849	5.1	0.31	4520	5.1	0.35	3951	5.1	0.38	3704	5.1	0.43			3268	5.1	0.48			2898	5.1	0.56			2463	5.1	0.54			2598	5.1	0.58			2383			5.1			0.69			2029	5.1					0.79	1749	5.1	0.85	1630	5.1	0.98	1425	5.1	1.0	1336	5.1	1.2	1179	5.1	1.3	1074	5.1	1.5	927	5.1	1.6	863	5.1	1.8	755	5.1	2.5	546	5.1	2.8	502	5.1	3.2	429	5.1	3.7	372	5.1	4.0	348	5.1	4.6	301	5.1	5.5	255	5.1	6.1	228	5.1	0.10	14369	6.7	0.11	12095	6.7	0.13	10860	6.7	0.15	9445	6.7	0.16	8480	6.7	0.19	7312	6.7	0.21	6521	6.7	0.25	5585	6.7	0.28	4928	6.7	0.32	4378	6.7	0.36	3873	6.7	0.42	3344	6.7	0.48	2907	6.7	0.54	2567	6.7	0.62	2244	6.7	0.71	1967	6.7																																																																																																							
	0.30	4651	4.7				0.34	4065				4.7																																			0.38		3658	4.7		0.44	3154		4.7	0.50	2757	4.7		0.58		2409	4.7		0.66	2106	4.7	0.76		1818	4.7	0.88	1576		4.7	1.0	1359	4.7		1.1	1267	4.7	1.3		1098	4.7	1.4	970		4.7	1.7	839	4.7		1.9	740	4.7	2.1	653	4.7	2.4	577	4.7	2.8	498	4.7	3.2	439	4.7	3.7	378	4.7	GR39R19 GRF39R19	0.12	4.2	328	4.7	2.5	5624	5.1			GR49R39 GRF49R39	0.12	2.8	502	5.1	3.2	429	5.1			3.7	372	5.1	4.0	348	5.1			4.6	301	5.1	5.5	255	5.1			6.1	228	5.1	0.11			12472	5.1	GR59R39 GRF59R39	0.12	0.13	10619	5.1	0.15			9155	5.1	0.16	8534					5.1	0.19	7460			5.1					0.20	6993					5.1	0.23	6171	5.1	0.25	5624	5.1	0.29	4849	5.1	0.31	4520	5.1	0.35	3951	5.1	0.38	3704	5.1	0.43	3268	5.1	0.48	2898	5.1	0.56			2463	5.1	0.54			2598	5.1	0.58			2383	5.1	0.69			2029	5.1	0.79			1749			5.1			0.85			1630	5.1			0.98	1425	5.1	1.0	1336	5.1	1.2	1179	5.1	1.3	1074	5.1	1.5	927	5.1	1.6	863	5.1	1.8	755	5.1	2.5	546	5.1	2.8	502	5.1	3.2	429	5.1	3.7	372	5.1	4.0	348	5.1	4.6	301	5.1	5.5	255	5.1	6.1	228	5.1	0.10	14369	6.7	0.11	12095	6.7	0.13	10860	6.7	0.15	9445	6.7	0.16	8480	6.7	0.19	7312	6.7	0.21	6521	6.7	0.25	5585	6.7	0.28	4928	6.7	0.32	4378	6.7	0.36	3873	6.7	0.42	3344	6.7	0.48	2907	6.7	0.54	2567	6.7	0.62	2244	6.7	0.71	1967	6.7																																																																																																															
	0.34	4065	4.7				0.38	3658				4.7																															0.44	3154		4.7	0.50		2757	4.7		0.58	2409		4.7	0.66	2106	4.7		0.76	1818	4.7	0.88		1576	4.7	1.0	1359		4.7	1.1	1267	4.7		1.3	1098	4.7	1.4		970	4.7	1.7	839		4.7	1.9	740	4.7		2.1	653	4.7	2.4	577	4.7	2.8	498	4.7	3.2	439	4.7	3.7	378	4.7	GR39R19 GRF39R19	0.12	4.2	328	4.7	2.5	5624	5.1			GR49R39 GRF49R39	0.12	2.8	502	5.1	3.2	429	5.1			3.7	372	5.1	4.0	348	5.1			4.6	301	5.1	5.5	255	5.1			6.1	228	5.1	0.11	12472	5.1			GR59R39 GRF59R39	0.12	0.13	10619			5.1	0.15			9155	5.1	0.16	8534			5.1	0.19	7460	5.1					0.20	6993	5.1			0.23					6171	5.1		0.25	5624		5.1	0.29	4849	5.1	0.31	4520	5.1	0.35	3951	5.1	0.38	3704	5.1	0.43	3268	5.1	0.48	2898	5.1	0.56	2463	5.1	0.54	2598	5.1	0.58			2383	5.1	0.69			2029	5.1	0.79			1749	5.1	0.85			1630	5.1	0.98			1425			5.1			1.0			1336	5.1	1.2	1179	5.1	1.3	1074	5.1	1.5	927	5.1	1.6	863	5.1	1.8	755	5.1	2.5	546	5.1	2.8	502	5.1	3.2	429	5.1	3.7	372	5.1	4.0	348	5.1	4.6	301	5.1	5.5	255	5.1	6.1	228	5.1	0.10	14369	6.7	0.11	12095	6.7	0.13	10860	6.7	0.15	9445	6.7	0.16	8480	6.7	0.19	7312	6.7	0.21	6521	6.7	0.25	5585	6.7	0.28	4928	6.7	0.32	4378	6.7	0.36	3873	6.7	0.42	3344	6.7	0.48	2907	6.7	0.54	2567	6.7	0.62	2244	6.7	0.71	1967	6.7																																																																																																																							
	0.38	3658	4.7				0.44	3154				4.7																	0.50									2757		4.7	0.58		2409	4.7		0.66	2106		4.7	0.76		1818	4.7		0.88	1576	4.7	1.0		1359	4.7	1.1	1267		4.7	1.3	1098	4.7		1.4	970	4.7	1.7		839	4.7	1.9	740		4.7	2.1	653	4.7		2.4	577	4.7	2.8	498	4.7	3.2	439	4.7	3.7	378	4.7	GR39R19 GRF39R19	0.12	4.2	328	4.7	2.5	5624	5.1			GR49R39 GRF49R39	0.12	2.8	502	5.1	3.2	429	5.1			3.7	372	5.1	4.0	348	5.1			4.6	301	5.1	5.5	255	5.1			6.1	228	5.1	0.11	12472	5.1			GR59R39 GRF59R39	0.12	0.13	10619	5.1	0.15					9155	5.1			0.16	8534			5.1	0.19	7460	5.1			0.20	6993	5.1	0.23					6171	5.1	0.25			5624			5.1	0.29	4849	5.1		0.31	4520		5.1	0.35	3951	5.1	0.38	3704	5.1	0.43	3268	5.1	0.48	2898	5.1	0.56	2463	5.1	0.54	2598	5.1	0.58	2383	5.1	0.69	2029	5.1	0.79			1749	5.1	0.85			1630	5.1	0.98			1425	5.1	1.0			1336	5.1	1.2			1179			5.1			1.3	1074	5.1	1.5	927	5.1	1.6	863	5.1	1.8	755	5.1	2.5	546	5.1	2.8	502	5.1	3.2	429	5.1	3.7	372	5.1	4.0	348	5.1	4.6	301	5.1	5.5	255	5.1	6.1	228	5.1	0.10	14369	6.7	0.11	12095	6.7	0.13	10860	6.7	0.15	9445	6.7	0.16	8480	6.7	0.19	7312	6.7	0.21	6521	6.7	0.25	5585	6.7	0.28	4928	6.7	0.32	4378	6.7	0.36	3873	6.7	0.42	3344	6.7	0.48	2907	6.7	0.54	2567	6.7	0.62	2244	6.7	0.71	1967	6.7																																																																																																																															
	0.44	3154	4.7				0.50	2757				4.7											0.58				2409		4.7							0.66	2106	4.7		0.76	1818		4.7	0.88		1576	4.7		1.0	1359		4.7	1.1		1267	4.7	1.3	1098		4.7	1.4	970	4.7		1.7	839	4.7	1.9		740	4.7	2.1	653		4.7	2.4	577	4.7		2.8	498	4.7	3.2	439	4.7	3.7	378	4.7	GR39R19 GRF39R19	0.12	4.2	328	4.7	2.5	5624	5.1			GR49R39 GRF49R39	0.12	2.8	502	5.1	3.2	429	5.1			3.7	372	5.1	4.0	348	5.1			4.6	301	5.1	5.5	255	5.1			6.1	228	5.1	0.11	12472	5.1			GR59R39 GRF59R39	0.12	0.13	10619	5.1	0.15					9155	5.1	0.16	8534					5.1	0.19			7460	5.1			0.20	6993	5.1	0.23			6171	5.1	0.25	5624					5.1	0.29	4849	5.1	0.31	4520			5.1	0.35	3951	5.1		0.38	3704		5.1	0.43	3268	5.1	0.48	2898	5.1	0.56	2463	5.1	0.54	2598	5.1	0.58	2383	5.1	0.69	2029	5.1	0.79	1749	5.1	0.85	1630	5.1	0.98			1425	5.1	1.0			1336	5.1	1.2			1179	5.1	1.3			1074	5.1	1.5			927			5.1	1.6	863	5.1	1.8	755	5.1	2.5	546	5.1	2.8	502	5.1	3.2	429	5.1	3.7	372	5.1	4.0	348	5.1	4.6	301	5.1	5.5	255	5.1	6.1	228	5.1	0.10	14369	6.7	0.11	12095	6.7	0.13	10860	6.7	0.15	9445	6.7	0.16	8480	6.7	0.19	7312	6.7	0.21	6521	6.7	0.25	5585	6.7	0.28	4928	6.7	0.32	4378	6.7	0.36	3873	6.7	0.42	3344	6.7	0.48	2907	6.7	0.54	2567	6.7	0.62	2244	6.7	0.71	1967	6.7																																																																																																																																							
	0.50	2757	4.7				0.58	2409				4.7						0.66				2106	4.7				0.76		1818				4.7		0.88	1576	4.7	1.0		1359	4.7		1.1	1267		4.7	1.3		1098	4.7		1.4	970		4.7	1.7	839	4.7		1.9	740	4.7	2.1		653	4.7	2.4	577		4.7	2.8	498	4.7		3.2	439	4.7	3.7	378	4.7	GR39R19 GRF39R19	0.12	4.2	328	4.7	2.5	5624	5.1			GR49R39 GRF49R39	0.12	2.8	502	5.1	3.2	429	5.1			3.7	372	5.1	4.0	348	5.1			4.6	301	5.1	5.5	255	5.1			6.1	228	5.1	0.11	12472	5.1			GR59R39 GRF59R39	0.12	0.13	10619	5.1	0.15					9155	5.1	0.16	8534					5.1	0.19	7460	5.1					0.20	6993			5.1	0.23			6171	5.1	0.25	5624			5.1	0.29	4849	5.1			0.31	4520	5.1	0.35	3951	5.1	0.38	3704			5.1	0.43	3268	5.1		0.48	2898		5.1	0.56	2463	5.1	0.54	2598	5.1	0.58	2383	5.1	0.69	2029	5.1	0.79	1749	5.1	0.85	1630	5.1	0.98	1425	5.1	1.0	1336	5.1	1.2			1179	5.1	1.3			1074	5.1	1.5			927	5.1	1.6			863	5.1	1.8			755	5.1	2.5	546	5.1	2.8	502	5.1	3.2	429	5.1	3.7	372	5.1	4.0	348	5.1	4.6	301	5.1	5.5	255	5.1	6.1	228	5.1	0.10	14369	6.7	0.11	12095	6.7	0.13	10860	6.7	0.15	9445	6.7	0.16	8480	6.7	0.19	7312	6.7	0.21	6521	6.7	0.25	5585	6.7	0.28	4928	6.7	0.32	4378	6.7	0.36	3873	6.7	0.42	3344	6.7	0.48	2907	6.7	0.54	2567	6.7	0.62	2244	6.7	0.71	1967	6.7																																																																																																																																															
	0.58	2409	4.7				0.66	2106				4.7	0.76				1818	4.7				0.88	1576				4.7		1.0	1359		4.7	1.1		1267	4.7	1.3	1098		4.7	1.4		970	4.7		1.7	839		4.7	1.9		740	4.7		2.1	653	4.7	2.4		577	4.7	2.8	498		4.7	3.2	439	4.7		3.7	378	4.7	GR39R19 GRF39R19	0.12	4.2	328	4.7	2.5	5624	5.1			GR49R39 GRF49R39	0.12	2.8	502	5.1	3.2	429	5.1			3.7	372	5.1	4.0	348	5.1			4.6	301	5.1	5.5	255	5.1			6.1	228	5.1	0.11	12472	5.1			GR59R39 GRF59R39	0.12	0.13	10619	5.1	0.15					9155	5.1	0.16	8534					5.1	0.19	7460	5.1					0.20	6993	5.1	0.23					6171	5.1			0.25	5624			5.1	0.29	4849	5.1			0.31	4520	5.1	0.35			3951	5.1	0.38	3704	5.1	0.43	3268	5.1			0.48	2898	5.1	0.56		2463	5.1		0.54	2598	5.1	0.58	2383	5.1	0.69	2029	5.1	0.79	1749	5.1	0.85	1630	5.1	0.98	1425	5.1	1.0	1336	5.1	1.2	1179	5.1	1.3	1074			5.1	1.5	927			5.1	1.6	863			5.1	1.8	755			5.1	2.5	546	5.1	2.8	502	5.1	3.2	429	5.1	3.7	372	5.1	4.0	348	5.1	4.6	301	5.1	5.5	255	5.1	6.1	228	5.1	0.10	14369	6.7	0.11	12095	6.7	0.13	10860	6.7	0.15	9445	6.7	0.16	8480	6.7	0.19	7312	6.7	0.21	6521	6.7	0.25	5585	6.7	0.28	4928	6.7	0.32	4378	6.7	0.36	3873	6.7	0.42	3344	6.7	0.48	2907	6.7	0.54	2567	6.7	0.62	2244	6.7	0.71	1967	6.7																																																																																																																																																					
	0.66	2106	4.7				0.76	1818				4.7	0.88				1576	4.7				1.0	1359	4.7		1.1	1267		4.7	1.3		1098	4.7		1.4	970	4.7	1.7		839	4.7		1.9	740		4.7	2.1		653	4.7		2.4	577		4.7	2.8	498	4.7		3.2	439	4.7	3.7		378	4.7	GR39R19 GRF39R19	0.12	4.2	328	4.7	2.5			5624	5.1	GR49R39 GRF49R39	0.12	2.8	502	5.1	3.2			429	5.1	3.7	372	5.1	4.0			348	5.1	4.6	301	5.1	5.5			255	5.1	6.1	228	5.1	0.11			12472	5.1	GR59R39 GRF59R39	0.12	0.13	10619					5.1	0.15	9155	5.1					0.16	8534	5.1	0.19					7460	5.1	0.20	6993					5.1	0.23	6171	5.1					0.25	5624	5.1	0.29	4849	5.1			0.31	4520	5.1	0.35			3951	5.1	0.38	3704			5.1	0.43	3268	5.1	0.48	2898	5.1	0.56			2463	5.1	0.54	2598		5.1	0.58		2383	5.1	0.69	2029	5.1	0.79	1749	5.1	0.85	1630	5.1	0.98	1425	5.1	1.0	1336	5.1	1.2	1179	5.1	1.3	1074	5.1	1.5	927	5.1			1.6	863	5.1			1.8	755	5.1			2.5	546	5.1	2.8	502	5.1	3.2	429	5.1	3.7	372	5.1	4.0	348	5.1	4.6	301	5.1	5.5	255	5.1	6.1	228	5.1	0.10	14369	6.7	0.11	12095	6.7	0.13	10860	6.7	0.15	9445	6.7	0.16	8480	6.7	0.19	7312	6.7	0.21	6521	6.7	0.25	5585	6.7	0.28	4928	6.7	0.32	4378	6.7	0.36	3873	6.7	0.42	3344	6.7	0.48	2907	6.7	0.54	2567	6.7	0.62	2244	6.7	0.71	1967	6.7																																																																																																																																																											
	0.76	1818	4.7				0.88	1576				4.7	1.0				1359	4.7	1.1		1267	4.7	1.3	1098		4.7	1.4		970	4.7		1.7	839		4.7	1.9	740	4.7		2.1	653		4.7	2.4		577	4.7		2.8	498		4.7	3.2		439	4.7	3.7	378		4.7	GR39R19 GRF39R19	0.12	4.2	328	4.7	2.5			5624	5.1	GR49R39 GRF49R39	0.12	2.8	502	5.1	3.2			429	5.1	3.7	372			5.1	4.0	348	5.1	4.6	301			5.1	5.5	255	5.1	6.1	228			5.1	0.11	12472	5.1	GR59R39 GRF59R39	0.12			0.13	10619			5.1	0.15					9155	5.1	0.16	8534					5.1	0.19	7460	5.1					0.20	6993	5.1	0.23					6171	5.1	0.25	5624	5.1	0.29			4849	5.1	0.31	4520	5.1	0.35			3951	5.1	0.38	3704			5.1	0.43	3268	5.1			0.48	2898	5.1	0.56	2463	5.1	0.54	2598			5.1	0.58	2383	5.1		0.69	2029		5.1	0.79	1749	5.1	0.85	1630	5.1	0.98	1425	5.1	1.0	1336	5.1	1.2	1179	5.1	1.3	1074	5.1	1.5	927	5.1	1.6	863	5.1	1.8			755	5.1	2.5			546	5.1	2.8	502	5.1	3.2	429	5.1	3.7	372	5.1	4.0	348	5.1	4.6	301	5.1	5.5	255	5.1	6.1	228	5.1	0.10	14369	6.7	0.11	12095	6.7	0.13	10860	6.7	0.15	9445	6.7	0.16	8480	6.7	0.19	7312	6.7	0.21	6521	6.7	0.25	5585	6.7	0.28	4928	6.7	0.32	4378	6.7	0.36	3873	6.7	0.42	3344	6.7	0.48	2907	6.7	0.54	2567	6.7	0.62	2244	6.7	0.71	1967	6.7																																																																																																																																																																	
	0.88	1576	4.7				1.0	1359				4.7	1.1	1267		4.7	1.3	1098	4.7		1.4	970	4.7	1.7		839	4.7		1.9	740		4.7	2.1		653	4.7	2.4	577		4.7	2.8		498	4.7		3.2	439		4.7	3.7		378	4.7		GR39R19 GRF39R19	0.12	4.2	328	4.7	2.5			5624	5.1	GR49R39 GRF49R39	0.12	2.8	502	5.1	3.2			429	5.1	3.7	372			5.1	4.0	348	5.1			4.6	301	5.1	5.5	255	5.1			6.1	228	5.1	0.11	12472	5.1			GR59R39 GRF59R39	0.12	0.13	10619					5.1	0.15			9155	5.1					0.16	8534	5.1	0.19					7460	5.1	0.20	6993					5.1	0.23	6171	5.1	0.25	5624			5.1	0.29	4849	5.1	0.31	4520			5.1	0.35	3951	5.1	0.38	3704			5.1	0.43	3268	5.1			0.48	2898	5.1	0.56			2463	5.1	0.54	2598	5.1	0.58	2383	5.1			0.69	2029	5.1	0.79		1749	5.1		0.85	1630	5.1	0.98	1425	5.1	1.0	1336	5.1	1.2	1179	5.1	1.3	1074	5.1	1.5	927	5.1	1.6	863	5.1	1.8	755	5.1	2.5	546			5.1	2.8	502	5.1	3.2	429	5.1	3.7	372	5.1	4.0	348	5.1	4.6	301	5.1	5.5	255	5.1	6.1	228	5.1	0.10	14369	6.7	0.11	12095	6.7	0.13	10860	6.7	0.15	9445	6.7	0.16	8480	6.7	0.19	7312	6.7	0.21	6521	6.7	0.25	5585	6.7	0.28	4928	6.7	0.32	4378	6.7	0.36	3873	6.7	0.42	3344	6.7	0.48	2907	6.7	0.54	2567	6.7	0.62	2244	6.7	0.71	1967	6.7																																																																																																																																																																							
	1.0	1359	4.7				1.1	1267	4.7		1.3	1098	4.7	1.4		970	4.7	1.7	839		4.7	1.9	740	4.7		2.1	653		4.7	2.4		577	4.7		2.8	498	4.7	3.2		439	4.7		3.7	378		4.7	GR39R19 GRF39R19		0.12	4.2		328	4.7	2.5			5624	5.1	GR49R39 GRF49R39	0.12	2.8	502	5.1	3.2			429	5.1	3.7	372			5.1	4.0	348	5.1			4.6	301	5.1	5.5			255	5.1	6.1	228	5.1	0.11			12472	5.1	GR59R39 GRF59R39	0.12	0.13	10619					5.1	0.15					9155	5.1			0.16	8534					5.1	0.19	7460	5.1					0.20	6993	5.1	0.23	6171	5.1			0.25	5624	5.1	0.29	4849	5.1			0.31	4520	5.1	0.35	3951	5.1			0.38	3704	5.1	0.43	3268	5.1			0.48	2898	5.1	0.56			2463	5.1	0.54	2598			5.1	0.58	2383	5.1	0.69	2029	5.1	0.79			1749	5.1	0.85	1630		5.1	0.98		1425	5.1	1.0	1336	5.1	1.2	1179	5.1	1.3	1074	5.1	1.5	927	5.1	1.6	863	5.1	1.8	755	5.1	2.5	546	5.1	2.8	502	5.1	3.2	429	5.1	3.7	372	5.1	4.0	348	5.1	4.6	301	5.1	5.5	255	5.1	6.1	228	5.1	0.10	14369	6.7	0.11	12095	6.7	0.13	10860	6.7	0.15	9445	6.7	0.16	8480	6.7	0.19	7312	6.7	0.21	6521	6.7	0.25	5585	6.7	0.28	4928	6.7	0.32	4378	6.7	0.36	3873	6.7	0.42	3344	6.7	0.48	2907	6.7	0.54	2567	6.7	0.62	2244	6.7	0.71	1967	6.7																																																																																																																																																																													
	1.1	1267	4.7	1.3		1098	4.7	1.4	970		4.7	1.7	839	4.7		1.9	740	4.7	2.1		653	4.7	2.4	577		4.7	2.8		498	4.7		3.2	439		4.7	3.7	378	4.7		GR39R19 GRF39R19	0.12		4.2	328		4.7				2.5	5624	5.1	GR49R39 GRF49R39	0.12	2.8	502	5.1	3.2			429	5.1	3.7	372			5.1	4.0	348	5.1			4.6	301	5.1	5.5			255	5.1	6.1	228			5.1	0.11	12472	5.1	GR59R39 GRF59R39	0.12			0.13	10619			5.1	0.15					9155	5.1					0.16	8534			5.1	0.19					7460	5.1	0.20	6993	5.1	0.23			6171	5.1	0.25	5624	5.1	0.29			4849	5.1	0.31	4520	5.1	0.35			3951	5.1	0.38	3704	5.1	0.43			3268	5.1	0.48	2898	5.1	0.56			2463	5.1	0.54	2598			5.1	0.58	2383	5.1			0.69	2029	5.1	0.79	1749	5.1	0.85	1630			5.1	0.98	1425	5.1		1.0	1336		5.1	1.2	1179	5.1	1.3	1074	5.1	1.5	927	5.1	1.6	863	5.1	1.8	755	5.1	2.5	546	5.1	2.8	502	5.1	3.2	429	5.1	3.7	372	5.1	4.0	348	5.1	4.6	301	5.1	5.5	255	5.1	6.1	228	5.1	0.10	14369	6.7	0.11	12095	6.7	0.13	10860	6.7	0.15	9445	6.7	0.16	8480	6.7	0.19	7312	6.7	0.21	6521	6.7	0.25	5585	6.7	0.28	4928	6.7	0.32	4378	6.7	0.36	3873	6.7	0.42	3344	6.7	0.48	2907	6.7	0.54	2567	6.7	0.62	2244	6.7	0.71	1967	6.7																																																																																																																																																																																	
	1.3	1098	4.7	1.4		970	4.7	1.7	839		4.7	1.9	740	4.7		2.1	653	4.7	2.4		577	4.7	2.8	498		4.7	3.2		439	4.7		3.7	378		4.7	GR39R19 GRF39R19	0.12	4.2					328	4.7		2.5	5624	5.1	GR49R39 GRF49R39	0.12	2.8	502			5.1	3.2	429	5.1			3.7	372	5.1	4.0			348	5.1	4.6	301			5.1	5.5	255	5.1			6.1	228	5.1	0.11			12472	5.1	GR59R39 GRF59R39	0.12					0.13	10619			5.1	0.15					9155	5.1					0.16	8534			5.1	0.19	7460	5.1			0.20	6993	5.1	0.23	6171	5.1			0.25	5624	5.1	0.29	4849	5.1			0.31	4520	5.1	0.35	3951	5.1			0.38	3704	5.1	0.43	3268	5.1			0.48	2898	5.1	0.56	2463	5.1			0.54	2598	5.1	0.58			2383	5.1	0.69	2029			5.1	0.79	1749	5.1	0.85	1630	5.1	0.98			1425	5.1	1.0	1336	5.1	1.2	1179	5.1	1.3	1074	5.1	1.5	927	5.1	1.6	863	5.1	1.8	755	5.1	2.5	546	5.1	2.8	502	5.1	3.2	429	5.1	3.7	372	5.1	4.0	348	5.1	4.6	301	5.1	5.5	255	5.1	6.1	228	5.1	0.10	14369	6.7	0.11	12095	6.7	0.13	10860	6.7	0.15	9445	6.7	0.16	8480	6.7	0.19	7312	6.7	0.21	6521	6.7	0.25	5585	6.7	0.28	4928	6.7	0.32	4378	6.7	0.36	3873	6.7	0.42	3344	6.7	0.48	2907	6.7	0.54	2567	6.7	0.62	2244	6.7	0.71	1967	6.7																																																																																																																																																																																					
	1.4	970	4.7	1.7		839	4.7	1.9	740		4.7	2.1	653	4.7		2.4	577	4.7	2.8		498	4.7	3.2	439		4.7	3.7		378	4.7		GR39R19 GRF39R19	0.12		4.2			328		4.7	2.5		5624	5.1	GR49R39 GRF49R39	0.12	2.8	502			5.1	3.2			429	5.1	3.7	372			5.1	4.0	348	5.1			4.6	301	5.1	5.5			255	5.1	6.1	228			5.1	0.11	12472	5.1			GR59R39 GRF59R39	0.12							0.13	10619			5.1	0.15					9155	5.1			0.16	8534	5.1	0.19			7460	5.1	0.20	6993			5.1	0.23	6171	5.1	0.25	5624			5.1	0.29	4849	5.1	0.31	4520			5.1	0.35	3951	5.1	0.38	3704			5.1	0.43	3268	5.1	0.48	2898			5.1	0.56	2463	5.1	0.54	2598			5.1	0.58	2383	5.1			0.69	2029	5.1	0.79			1749	5.1	0.85	1630	5.1	0.98	1425	5.1	1.0	1336	5.1	1.2	1179	5.1	1.3	1074	5.1	1.5	927	5.1	1.6	863	5.1	1.8	755	5.1	2.5	546	5.1	2.8	502	5.1	3.2	429	5.1	3.7	372	5.1	4.0	348	5.1	4.6	301	5.1	5.5	255	5.1	6.1	228	5.1	0.10	14369	6.7	0.11	12095	6.7	0.13	10860	6.7	0.15	9445	6.7	0.16	8480	6.7	0.19	7312	6.7	0.21	6521	6.7	0.25	5585	6.7	0.28	4928	6.7	0.32	4378	6.7	0.36	3873	6.7	0.42	3344	6.7	0.48	2907	6.7	0.54	2567	6.7	0.62	2244	6.7	0.71	1967	6.7																																																																																																																																																																																									
	1.7	839	4.7	1.9		740	4.7	2.1	653		4.7	2.4	577	4.7		2.8	498	4.7	3.2		439	4.7	3.7	378		4.7	GR39R19 GRF39R19		0.12	4.2					328	4.7	2.5	5624		5.1	GR49R39 GRF49R39	0.12	2.8	502			5.1	3.2			429	5.1			3.7	372	5.1	4.0			348	5.1	4.6	301			5.1	5.5	255	5.1			6.1	228	5.1	0.11			12472	5.1	GR59R39 GRF59R39	0.12											0.13	10619			5.1	0.15	9155	5.1			0.16	8534			5.1	0.19	7460	5.1			0.20	6993	5.1	0.23			6171	5.1	0.25	5624	5.1	0.29			4849	5.1	0.31	4520	5.1	0.35			3951	5.1	0.38	3704	5.1	0.43			3268	5.1	0.48	2898	5.1	0.56			2463	5.1	0.54	2598	5.1	0.58			2383	5.1	0.69	2029			5.1	0.79	1749	5.1	0.85	1630	5.1	0.98	1425	5.1	1.0	1336	5.1	1.2	1179	5.1	1.3	1074	5.1	1.5	927	5.1	1.6	863	5.1	1.8	755	5.1	2.5	546	5.1	2.8	502	5.1	3.2	429	5.1	3.7	372	5.1	4.0	348	5.1	4.6	301	5.1	5.5	255	5.1	6.1	228	5.1	0.10	14369	6.7	0.11	12095	6.7	0.13	10860	6.7	0.15	9445	6.7	0.16	8480	6.7	0.19	7312	6.7	0.21	6521	6.7	0.25	5585	6.7	0.28	4928	6.7	0.32	4378	6.7	0.36	3873	6.7	0.42	3344	6.7	0.48	2907	6.7	0.54	2567	6.7	0.62	2244	6.7	0.71	1967	6.7																																																																																																																																																																																													
	1.9	740	4.7	2.1		653	4.7	2.4	577		4.7	2.8	498	4.7		3.2	439	4.7	3.7		378	4.7	GR39R19 GRF39R19	0.12		4.2				328		4.7	2.5		5624	5.1	GR49R39 GRF49R39	0.12	2.8	502			5.1	3.2			429	5.1			3.7	372			5.1	4.0	348	5.1			4.6	301	5.1	5.5			255	5.1	6.1	228			5.1	0.11	12472	5.1			GR59R39 GRF59R39	0.12											0.13	10619	5.1	0.15			9155	5.1	0.16	8534			5.1	0.19			7460	5.1	0.20	6993			5.1	0.23	6171	5.1			0.25	5624	5.1	0.29	4849	5.1			0.31	4520	5.1	0.35	3951	5.1			0.38	3704	5.1	0.43	3268	5.1			0.48	2898	5.1	0.56	2463	5.1			0.54	2598	5.1	0.58	2383	5.1			0.69	2029	5.1	0.79	1749	5.1	0.85	1630	5.1	0.98	1425	5.1	1.0	1336	5.1	1.2	1179	5.1	1.3	1074	5.1	1.5	927	5.1	1.6	863	5.1	1.8	755	5.1	2.5	546	5.1	2.8	502	5.1	3.2	429	5.1	3.7	372	5.1	4.0	348	5.1	4.6	301	5.1	5.5	255	5.1	6.1	228	5.1	0.10	14369	6.7	0.11	12095	6.7	0.13	10860	6.7	0.15	9445	6.7	0.16	8480	6.7	0.19	7312	6.7	0.21	6521	6.7	0.25	5585	6.7	0.28	4928	6.7	0.32	4378	6.7	0.36	3873	6.7	0.42	3344	6.7	0.48	2907	6.7	0.54	2567	6.7	0.62	2244	6.7	0.71	1967	6.7																																																																																																																																																																																																	
	2.1	653	4.7	2.4		577	4.7	2.8	498		4.7	3.2	439	4.7		3.7	378	4.7	GR39R19 GRF39R19		0.12	4.2				328	4.7		2.5	5624		5.1	GR49R39 GRF49R39	0.12	2.8	502			5.1	3.2			429	5.1			3.7	372			5.1	4.0			348	5.1	4.6	301			5.1	5.5	255	5.1			6.1	228	5.1	0.11			12472	5.1	GR59R39 GRF59R39	0.12							0.13	10619							5.1	0.15	9155	5.1			0.16	8534	5.1	0.19			7460	5.1			0.20	6993	5.1	0.23			6171	5.1	0.25	5624			5.1	0.29	4849	5.1	0.31	4520			5.1	0.35	3951	5.1	0.38	3704			5.1	0.43	3268	5.1	0.48	2898			5.1	0.56	2463	5.1	0.54	2598			5.1	0.58	2383	5.1	0.69	2029	5.1	0.79	1749	5.1	0.85	1630	5.1	0.98	1425	5.1	1.0	1336	5.1	1.2	1179	5.1	1.3	1074	5.1	1.5	927	5.1	1.6	863	5.1	1.8	755	5.1	2.5	546	5.1	2.8	502	5.1	3.2	429	5.1	3.7	372	5.1	4.0	348	5.1	4.6	301	5.1	5.5	255	5.1	6.1	228	5.1	0.10	14369	6.7	0.11	12095	6.7	0.13	10860	6.7	0.15	9445	6.7	0.16	8480	6.7	0.19	7312	6.7	0.21	6521	6.7	0.25	5585	6.7	0.28	4928	6.7	0.32	4378	6.7	0.36	3873	6.7	0.42	3344	6.7	0.48	2907	6.7	0.54	2567	6.7	0.62	2244	6.7	0.71	1967	6.7																																																																																																																																																																																																					
	2.4	577	4.7	2.8		498	4.7	3.2	439		4.7	3.7	378	4.7		GR39R19 GRF39R19	0.12	4.2				328	4.7	2.5		5624	5.1		GR49R39 GRF49R39	0.12	2.8	502			5.1	3.2			429	5.1			3.7	372			5.1	4.0			348	5.1			4.6	301	5.1	5.5			255	5.1	6.1	228			5.1	0.11	12472	5.1			GR59R39 GRF59R39	0.12			0.13	10619					5.1	0.15							9155	5.1	0.16	8534			5.1	0.19	7460	5.1			0.20	6993			5.1	0.23	6171	5.1			0.25	5624	5.1	0.29			4849	5.1	0.31	4520	5.1	0.35			3951	5.1	0.38	3704	5.1	0.43			3268	5.1	0.48	2898	5.1	0.56			2463	5.1	0.54	2598	5.1	0.58	2383	5.1	0.69	2029	5.1	0.79	1749	5.1	0.85	1630	5.1	0.98	1425	5.1	1.0	1336	5.1	1.2	1179	5.1	1.3	1074	5.1	1.5	927	5.1	1.6	863	5.1	1.8	755	5.1	2.5	546	5.1	2.8	502	5.1	3.2	429	5.1	3.7	372	5.1	4.0	348	5.1	4.6	301	5.1	5.5	255	5.1	6.1	228	5.1	0.10	14369	6.7	0.11	12095	6.7	0.13	10860	6.7	0.15	9445	6.7	0.16	8480	6.7	0.19	7312	6.7	0.21	6521	6.7	0.25	5585	6.7	0.28	4928	6.7	0.32	4378	6.7	0.36	3873	6.7	0.42	3344	6.7	0.48	2907	6.7	0.54	2567	6.7	0.62	2244	6.7	0.71	1967	6.7																																																																																																																																																																																																									
	2.8	498	4.7	3.2		439	4.7	3.7	378		4.7	GR39R19 GRF39R19	0.12	4.2				328	4.7		2.5	5624	5.1	GR49R39 GRF49R39		0.12	2.8	502			5.1	3.2			429	5.1			3.7	372			5.1	4.0			348	5.1			4.6	301			5.1	5.5	255	5.1			6.1	228	5.1	0.11			12472	5.1	GR59R39 GRF59R39	0.12	0.13	10619					5.1	0.15					9155	5.1							0.16	8534	5.1	0.19			7460	5.1	0.20	6993			5.1	0.23			6171	5.1	0.25	5624			5.1	0.29	4849	5.1			0.31	4520	5.1	0.35	3951	5.1			0.38	3704	5.1	0.43	3268	5.1			0.48	2898	5.1	0.56	2463	5.1	0.54	2598	5.1	0.58	2383	5.1	0.69	2029	5.1	0.79	1749	5.1	0.85	1630	5.1	0.98	1425	5.1	1.0	1336	5.1	1.2	1179	5.1	1.3	1074	5.1	1.5	927	5.1	1.6	863	5.1	1.8	755	5.1	2.5	546	5.1	2.8	502	5.1	3.2	429	5.1	3.7	372	5.1	4.0	348	5.1	4.6	301	5.1	5.5	255	5.1	6.1	228	5.1	0.10	14369	6.7	0.11	12095	6.7	0.13	10860	6.7	0.15	9445	6.7	0.16	8480	6.7	0.19	7312	6.7	0.21	6521	6.7	0.25	5585	6.7	0.28	4928	6.7	0.32	4378	6.7	0.36	3873	6.7	0.42	3344	6.7	0.48	2907	6.7	0.54	2567	6.7	0.62	2244	6.7	0.71	1967	6.7																																																																																																																																																																																																													
	3.2	439	4.7	3.7		378	4.7	GR39R19 GRF39R19	0.12		4.2			328		4.7	2.5	5624	5.1		GR49R39 GRF49R39	0.12	2.8		502		5.1	3.2			429	5.1			3.7	372			5.1	4.0			348	5.1			4.6	301			5.1	5.5			255	5.1	6.1	228			5.1	0.11	12472	5.1	GR59R39 GRF59R39	0.12	0.13	10619			5.1	0.15					9155	5.1					0.16	8534							5.1	0.19	7460	5.1			0.20	6993	5.1	0.23			6171	5.1			0.25	5624	5.1	0.29			4849	5.1	0.31	4520			5.1	0.35	3951	5.1	0.38	3704			5.1	0.43	3268	5.1	0.48	2898	5.1	0.56	2463	5.1	0.54	2598	5.1	0.58	2383	5.1	0.69	2029	5.1	0.79	1749	5.1	0.85	1630	5.1	0.98	1425	5.1	1.0	1336	5.1	1.2	1179	5.1	1.3	1074	5.1	1.5	927	5.1	1.6	863	5.1	1.8	755	5.1	2.5	546	5.1	2.8	502	5.1	3.2	429	5.1	3.7	372	5.1	4.0	348	5.1	4.6	301	5.1	5.5	255	5.1	6.1	228	5.1	0.10	14369	6.7	0.11	12095	6.7	0.13	10860	6.7	0.15	9445	6.7	0.16	8480	6.7	0.19	7312	6.7	0.21	6521	6.7	0.25	5585	6.7	0.28	4928	6.7	0.32	4378	6.7	0.36	3873	6.7	0.42	3344	6.7	0.48	2907	6.7	0.54	2567	6.7	0.62	2244	6.7	0.71	1967	6.7																																																																																																																																																																																																																	
	3.7	378	4.7	GR39R19 GRF39R19		0.12	4.2				328	4.7	2.5	5624		5.1	GR49R39 GRF49R39	0.12	2.8	502			5.1		3.2		429	5.1			3.7	372			5.1	4.0			348	5.1			4.6	301			5.1	5.5			255	5.1			6.1	228	5.1	0.11	12472	5.1	GR59R39 GRF59R39	0.12	0.13	10619			5.1	0.15			9155	5.1					0.16	8534					5.1	0.19							7460	5.1	0.20	6993			5.1	0.23	6171	5.1			0.25	5624			5.1	0.29	4849	5.1			0.31	4520	5.1	0.35			3951	5.1	0.38	3704	5.1	0.43	3268	5.1	0.48	2898	5.1	0.56	2463	5.1	0.54	2598	5.1	0.58	2383	5.1	0.69	2029	5.1	0.79	1749	5.1	0.85	1630	5.1	0.98	1425	5.1	1.0	1336	5.1	1.2	1179	5.1	1.3	1074	5.1	1.5	927	5.1	1.6	863	5.1	1.8	755	5.1	2.5	546	5.1	2.8	502	5.1	3.2	429	5.1	3.7	372	5.1	4.0	348	5.1	4.6	301	5.1	5.5	255	5.1	6.1	228	5.1	0.10	14369	6.7	0.11	12095	6.7	0.13	10860	6.7	0.15	9445	6.7	0.16	8480	6.7	0.19	7312	6.7	0.21	6521	6.7	0.25	5585	6.7	0.28	4928	6.7	0.32	4378	6.7	0.36	3873	6.7	0.42	3344	6.7	0.48	2907	6.7	0.54	2567	6.7	0.62	2244	6.7	0.71	1967	6.7																																																																																																																																																																																																																					
	4.2	328	4.7				2.5	5624	5.1		GR49R39 GRF49R39	0.12	2.8	502	5.1	3.2			429	5.1			3.7		372		5.1	4.0			348	5.1			4.6	301			5.1	5.5			255	5.1			6.1	228			5.1	0.11	12472	5.1	GR59R39 GRF59R39	0.12	0.13	10619	5.1	0.15			9155	5.1			0.16	8534			5.1	0.19					7460	5.1					0.20	6993							5.1	0.23	6171	5.1			0.25	5624	5.1	0.29			4849	5.1			0.31	4520	5.1	0.35			3951	5.1	0.38	3704	5.1	0.43	3268	5.1	0.48	2898	5.1	0.56	2463	5.1	0.54	2598	5.1	0.58	2383	5.1	0.69	2029	5.1	0.79	1749	5.1	0.85	1630	5.1	0.98	1425	5.1	1.0	1336	5.1	1.2	1179	5.1	1.3	1074	5.1	1.5	927	5.1	1.6	863	5.1	1.8	755	5.1	2.5	546	5.1	2.8	502	5.1	3.2	429	5.1	3.7	372	5.1	4.0	348	5.1	4.6	301	5.1	5.5	255	5.1	6.1	228	5.1	0.10	14369	6.7	0.11	12095	6.7	0.13	10860	6.7	0.15	9445	6.7	0.16	8480	6.7	0.19	7312	6.7	0.21	6521	6.7	0.25	5585	6.7	0.28	4928	6.7	0.32	4378	6.7	0.36	3873	6.7	0.42	3344	6.7	0.48	2907	6.7	0.54	2567	6.7	0.62	2244	6.7	0.71	1967	6.7																																																																																																																																																																																																																											
	2.5	5624	5.1	GR49R39 GRF49R39		0.12																																																																																																																																																																																																																																																																																																																																																																																																																																																															
	2.8	502	5.1		3.2		429	5.1	3.7	372			5.1	4.0	348	5.1			4.6	301			5.1		5.5		255	5.1			6.1	228			5.1	0.11			12472	5.1			GR59R39 GRF59R39	0.12	0.13	10619	5.1	0.15	9155	5.1	0.16	8534	5.1	0.19			7460	5.1	0.20	6993			5.1	0.23			6171	5.1			0.25	5624					5.1	0.29					4849	5.1							0.31	4520	5.1	0.35			3951	5.1	0.38	3704			5.1	0.43	3268	5.1	0.48	2898	5.1	0.56	2463	5.1	0.54	2598	5.1	0.58	2383	5.1	0.69	2029	5.1	0.79	1749	5.1	0.85	1630	5.1	0.98	1425	5.1	1.0	1336	5.1	1.2	1179	5.1	1.3	1074	5.1	1.5	927	5.1	1.6	863	5.1	1.8	755	5.1	2.5	546	5.1	2.8	502	5.1	3.2	429	5.1	3.7	372	5.1	4.0	348	5.1	4.6	301	5.1	5.5	255	5.1	6.1	228	5.1	0.10	14369	6.7	0.11	12095	6.7	0.13	10860	6.7	0.15	9445	6.7	0.16	8480	6.7	0.19	7312	6.7	0.21	6521	6.7	0.25	5585	6.7	0.28	4928	6.7	0.32	4378	6.7	0.36	3873	6.7	0.42	3344	6.7	0.48	2907	6.7	0.54	2567	6.7	0.62	2244	6.7	0.71	1967	6.7																																																																																																																																																																																																																																									
3.2	429	5.1	3.7		372		5.1	4.0	348	5.1			4.6	301	5.1	5.5			255	5.1			6.1		228		5.1	0.11			12472	5.1			GR59R39 GRF59R39	0.12			0.13	10619	5.1	0.15			9155	5.1	0.16	8534	5.1	0.19	7460	5.1	0.20	6993			5.1	0.23	6171	5.1			0.25	5624			5.1	0.29			4849	5.1					0.31	4520					5.1	0.35							3951	5.1	0.38	3704			5.1	0.43	3268	5.1	0.48	2898	5.1	0.56	2463	5.1	0.54	2598	5.1	0.58	2383	5.1	0.69	2029	5.1	0.79	1749	5.1	0.85	1630	5.1	0.98	1425	5.1	1.0	1336	5.1	1.2	1179	5.1	1.3	1074	5.1	1.5	927	5.1	1.6	863	5.1	1.8	755	5.1	2.5	546	5.1	2.8	502	5.1	3.2	429	5.1	3.7	372	5.1	4.0	348	5.1	4.6	301	5.1	5.5	255	5.1	6.1	228	5.1	0.10	14369	6.7	0.11	12095	6.7	0.13	10860	6.7	0.15	9445	6.7	0.16	8480	6.7	0.19	7312	6.7	0.21	6521	6.7	0.25	5585	6.7	0.28	4928	6.7	0.32	4378	6.7	0.36	3873	6.7	0.42	3344	6.7	0.48	2907	6.7	0.54	2567	6.7	0.62	2244	6.7	0.71	1967	6.7																																																																																																																																																																																																																																															
3.7	372	5.1	4.0		348		5.1	4.6	301	5.1			5.5	255	5.1	6.1			228	5.1			0.11		12472		5.1	GR59R39 GRF59R39			0.12	0.13					10619	5.1	0.15	9155	5.1	0.16			8534	5.1	0.19	7460	5.1	0.20	6993	5.1	0.23	6171			5.1	0.25	5624	5.1			0.29	4849			5.1	0.31			4520	5.1					0.35	3951					5.1	0.38							3704	5.1	0.43	3268	5.1	0.48	2898	5.1	0.56	2463	5.1	0.54	2598	5.1	0.58	2383	5.1	0.69	2029	5.1	0.79	1749	5.1	0.85	1630	5.1	0.98	1425	5.1	1.0	1336	5.1	1.2	1179	5.1	1.3	1074	5.1	1.5	927	5.1	1.6	863	5.1	1.8	755	5.1	2.5	546	5.1	2.8	502	5.1	3.2	429	5.1	3.7	372	5.1	4.0	348	5.1	4.6	301	5.1	5.5	255	5.1	6.1	228	5.1	0.10	14369	6.7	0.11	12095	6.7	0.13	10860	6.7	0.15	9445	6.7	0.16	8480	6.7	0.19	7312	6.7	0.21	6521	6.7	0.25	5585	6.7	0.28	4928	6.7	0.32	4378	6.7	0.36	3873	6.7	0.42	3344	6.7	0.48	2907	6.7	0.54	2567	6.7	0.62	2244	6.7	0.71	1967	6.7																																																																																																																																																																																																																																																				
4.0	348	5.1	4.6		301		5.1	5.5	255	5.1			6.1	228	5.1	0.11			12472	5.1			GR59R39 GRF59R39		0.12		0.13					10619	5.1	0.15			9155	5.1	0.16	8534	5.1	0.19			7460	5.1	0.20	6993	5.1	0.23	6171	5.1	0.25	5624			5.1	0.29	4849	5.1			0.31	4520			5.1	0.35			3951	5.1					0.38	3704					5.1	0.43					3268	5.1	0.48	2898	5.1	0.56	2463	5.1	0.54	2598	5.1	0.58	2383	5.1	0.69	2029	5.1	0.79	1749	5.1	0.85	1630	5.1	0.98	1425	5.1	1.0	1336	5.1	1.2	1179	5.1	1.3	1074	5.1	1.5	927	5.1	1.6	863	5.1	1.8	755	5.1	2.5	546	5.1	2.8	502	5.1	3.2	429	5.1	3.7	372	5.1	4.0	348	5.1	4.6	301	5.1	5.5	255	5.1	6.1	228	5.1	0.10	14369	6.7	0.11	12095	6.7	0.13	10860	6.7	0.15	9445	6.7	0.16	8480	6.7	0.19	7312	6.7	0.21	6521	6.7	0.25	5585	6.7	0.28	4928	6.7	0.32	4378	6.7	0.36	3873	6.7	0.42	3344	6.7	0.48	2907	6.7	0.54	2567	6.7	0.62	2244	6.7	0.71	1967	6.7																																																																																																																																																																																																																																																									
4.6	301	5.1	5.5		255		5.1	6.1	228	5.1			0.11	12472	5.1	GR59R39 GRF59R39			0.12	0.13							10619		5.1	0.15		9155	5.1	0.16			8534	5.1	0.19	7460	5.1	0.20			6993	5.1	0.23	6171	5.1	0.25	5624	5.1	0.29	4849			5.1	0.31	4520	5.1			0.35	3951			5.1	0.38			3704	5.1					0.43	3268					5.1	0.48			2898	5.1	0.56	2463	5.1	0.54	2598	5.1	0.58	2383	5.1	0.69	2029	5.1	0.79	1749	5.1	0.85	1630	5.1	0.98	1425	5.1	1.0	1336	5.1	1.2	1179	5.1	1.3	1074	5.1	1.5	927	5.1	1.6	863	5.1	1.8	755	5.1	2.5	546	5.1	2.8	502	5.1	3.2	429	5.1	3.7	372	5.1	4.0	348	5.1	4.6	301	5.1	5.5	255	5.1	6.1	228	5.1	0.10	14369	6.7	0.11	12095	6.7	0.13	10860	6.7	0.15	9445	6.7	0.16	8480	6.7	0.19	7312	6.7	0.21	6521	6.7	0.25	5585	6.7	0.28	4928	6.7	0.32	4378	6.7	0.36	3873	6.7	0.42	3344	6.7	0.48	2907	6.7	0.54	2567	6.7	0.62	2244	6.7	0.71	1967	6.7																																																																																																																																																																																																																																																														
5.5	255	5.1	6.1		228		5.1	0.11	12472	5.1			GR59R39 GRF59R39	0.12	0.13					10619				5.1		0.15	9155		5.1	0.16		8534	5.1	0.19			7460	5.1	0.20	6993	5.1	0.23			6171	5.1	0.25	5624	5.1	0.29	4849	5.1	0.31	4520			5.1	0.35	3951	5.1			0.38	3704			5.1	0.43			3268	5.1					0.48	2898					5.1	0.56	2463	5.1	0.54	2598	5.1	0.58	2383	5.1	0.69	2029	5.1	0.79	1749	5.1	0.85	1630	5.1	0.98	1425	5.1	1.0	1336	5.1	1.2	1179	5.1	1.3	1074	5.1	1.5	927	5.1	1.6	863	5.1	1.8	755	5.1	2.5	546	5.1	2.8	502	5.1	3.2	429	5.1	3.7	372	5.1	4.0	348	5.1	4.6	301	5.1	5.5	255	5.1	6.1	228	5.1	0.10	14369	6.7	0.11	12095	6.7	0.13	10860	6.7	0.15	9445	6.7	0.16	8480	6.7	0.19	7312	6.7	0.21	6521	6.7	0.25	5585	6.7	0.28	4928	6.7	0.32	4378	6.7	0.36	3873	6.7	0.42	3344	6.7	0.48	2907	6.7	0.54	2567	6.7	0.62	2244	6.7	0.71	1967	6.7																																																																																																																																																																																																																																																																			
6.1	228	5.1	0.11		12472		5.1	GR59R39 GRF59R39	0.12	0.13					10619					5.1	0.15	9155		5.1		0.16	8534		5.1	0.19		7460	5.1	0.20			6993	5.1	0.23	6171	5.1	0.25			5624	5.1	0.29	4849	5.1	0.31	4520	5.1	0.35	3951			5.1	0.38	3704	5.1			0.43	3268			5.1	0.48			2898	5.1					0.56	2463			5.1	0.54	2598	5.1	0.58	2383	5.1	0.69	2029	5.1	0.79	1749	5.1	0.85	1630	5.1	0.98	1425	5.1	1.0	1336	5.1	1.2	1179	5.1	1.3	1074	5.1	1.5	927	5.1	1.6	863	5.1	1.8	755	5.1	2.5	546	5.1	2.8	502	5.1	3.2	429	5.1	3.7	372	5.1	4.0	348	5.1	4.6	301	5.1	5.5	255	5.1	6.1	228	5.1	0.10	14369	6.7	0.11	12095	6.7	0.13	10860	6.7	0.15	9445	6.7	0.16	8480	6.7	0.19	7312	6.7	0.21	6521	6.7	0.25	5585	6.7	0.28	4928	6.7	0.32	4378	6.7	0.36	3873	6.7	0.42	3344	6.7	0.48	2907	6.7	0.54	2567	6.7	0.62	2244	6.7	0.71	1967	6.7																																																																																																																																																																																																																																																																								
0.11	12472	5.1	GR59R39 GRF59R39		0.12																																																																																																																																																																																																																																																																																																																																																																																																																																																																
0.13	10619	5.1					0.15			9155	5.1	0.16			8534		5.1	0.19		7460	5.1	0.20		6993		5.1	0.23		6171	5.1		0.25	5624	5.1			0.29	4849	5.1	0.31	4520	5.1			0.35	3951	5.1	0.38	3704	5.1	0.43	3268	5.1	0.48			2898	5.1	0.56	2463			5.1	0.54			2598	5.1			0.58	2383			5.1	0.69	2029	5.1	0.79	1749	5.1	0.85	1630	5.1	0.98	1425	5.1	1.0	1336	5.1	1.2	1179	5.1	1.3	1074	5.1	1.5	927	5.1	1.6	863	5.1	1.8	755	5.1	2.5	546	5.1	2.8	502	5.1	3.2	429	5.1	3.7	372	5.1	4.0	348	5.1	4.6	301	5.1	5.5	255	5.1	6.1	228	5.1	0.10	14369	6.7	0.11	12095	6.7	0.13	10860	6.7	0.15	9445	6.7	0.16	8480	6.7	0.19	7312	6.7	0.21	6521	6.7	0.25	5585	6.7	0.28	4928	6.7	0.32	4378	6.7	0.36	3873	6.7	0.42	3344	6.7	0.48	2907	6.7	0.54	2567	6.7	0.62	2244	6.7	0.71	1967	6.7																																																																																																																																																																																																																																																																																				
0.15	9155	5.1		0.16		8534	5.1			0.19	7460	5.1			0.20		6993	5.1		0.23	6171	5.1		0.25		5624	5.1		0.29	4849		5.1	0.31	4520			5.1	0.35	3951	5.1	0.38	3704			5.1	0.43	3268	5.1	0.48	2898	5.1	0.56	2463	5.1			0.54	2598	5.1	0.58			2383	5.1			0.69	2029			5.1	0.79	1749	5.1	0.85	1630	5.1	0.98	1425	5.1	1.0	1336	5.1	1.2	1179	5.1	1.3	1074	5.1	1.5	927	5.1	1.6	863	5.1	1.8	755	5.1	2.5	546	5.1	2.8	502	5.1	3.2	429	5.1	3.7	372	5.1	4.0	348	5.1	4.6	301	5.1	5.5	255	5.1	6.1	228	5.1	0.10	14369	6.7	0.11	12095	6.7	0.13	10860	6.7	0.15	9445	6.7	0.16	8480	6.7	0.19	7312	6.7	0.21	6521	6.7	0.25	5585	6.7	0.28	4928	6.7	0.32	4378	6.7	0.36	3873	6.7	0.42	3344	6.7	0.48	2907	6.7	0.54	2567	6.7	0.62	2244	6.7	0.71	1967	6.7																																																																																																																																																																																																																																																																																											
0.16	8534	5.1		0.19		7460	5.1			0.20	6993	5.1			0.23		6171	5.1		0.25	5624	5.1		0.29		4849	5.1		0.31	4520		5.1	0.35	3951			5.1	0.38	3704	5.1	0.43	3268			5.1	0.48	2898	5.1	0.56	2463	5.1	0.54	2598	5.1			0.58	2383	5.1	0.69			2029	5.1			0.79	1749	5.1	0.85	1630	5.1	0.98	1425	5.1	1.0	1336	5.1	1.2	1179	5.1	1.3	1074	5.1	1.5	927	5.1	1.6	863	5.1	1.8	755	5.1	2.5	546	5.1	2.8	502	5.1	3.2	429	5.1	3.7	372	5.1	4.0	348	5.1	4.6	301	5.1	5.5	255	5.1	6.1	228	5.1	0.10	14369	6.7	0.11	12095	6.7	0.13	10860	6.7	0.15	9445	6.7	0.16	8480	6.7	0.19	7312	6.7	0.21	6521	6.7	0.25	5585	6.7	0.28	4928	6.7	0.32	4378	6.7	0.36	3873	6.7	0.42	3344	6.7	0.48	2907	6.7	0.54	2567	6.7	0.62	2244	6.7	0.71	1967	6.7																																																																																																																																																																																																																																																																																																
0.19	7460	5.1		0.20		6993	5.1			0.23	6171	5.1			0.25		5624	5.1		0.29	4849	5.1		0.31		4520	5.1		0.35	3951		5.1	0.38	3704			5.1	0.43	3268	5.1	0.48	2898			5.1	0.56	2463	5.1	0.54	2598	5.1	0.58	2383	5.1			0.69	2029	5.1	0.79			1749	5.1	0.85	1630	5.1	0.98	1425	5.1	1.0	1336	5.1	1.2	1179	5.1	1.3	1074	5.1	1.5	927	5.1	1.6	863	5.1	1.8	755	5.1	2.5	546	5.1	2.8	502	5.1	3.2	429	5.1	3.7	372	5.1	4.0	348	5.1	4.6	301	5.1	5.5	255	5.1	6.1	228	5.1	0.10	14369	6.7	0.11	12095	6.7	0.13	10860	6.7	0.15	9445	6.7	0.16	8480	6.7	0.19	7312	6.7	0.21	6521	6.7	0.25	5585	6.7	0.28	4928	6.7	0.32	4378	6.7	0.36	3873	6.7	0.42	3344	6.7	0.48	2907	6.7	0.54	2567	6.7	0.62	2244	6.7	0.71	1967	6.7																																																																																																																																																																																																																																																																																																					
0.20	6993	5.1		0.23		6171	5.1			0.25	5624	5.1			0.29		4849	5.1		0.31	4520	5.1		0.35		3951	5.1		0.38	3704		5.1	0.43	3268			5.1	0.48	2898	5.1	0.56	2463			5.1	0.54	2598	5.1	0.58	2383	5.1	0.69	2029	5.1			0.79	1749	5.1	0.85	1630	5.1	0.98	1425	5.1	1.0	1336	5.1	1.2	1179	5.1	1.3	1074	5.1	1.5	927	5.1	1.6	863	5.1	1.8	755	5.1	2.5	546	5.1	2.8	502	5.1	3.2	429	5.1	3.7	372	5.1	4.0	348	5.1	4.6	301	5.1	5.5	255	5.1	6.1	228	5.1	0.10	14369	6.7	0.11	12095	6.7	0.13	10860	6.7	0.15	9445	6.7	0.16	8480	6.7	0.19	7312	6.7	0.21	6521	6.7	0.25	5585	6.7	0.28	4928	6.7	0.32	4378	6.7	0.36	3873	6.7	0.42	3344	6.7	0.48	2907	6.7	0.54	2567	6.7	0.62	2244	6.7	0.71	1967	6.7																																																																																																																																																																																																																																																																																																										
0.23	6171	5.1		0.25		5624	5.1			0.29	4849	5.1			0.31		4520	5.1		0.35	3951	5.1		0.38		3704	5.1		0.43	3268		5.1	0.48	2898			5.1	0.56	2463	5.1	0.54	2598			5.1	0.58	2383	5.1	0.69	2029	5.1	0.79	1749	5.1	0.85	1630	5.1	0.98	1425	5.1	1.0	1336	5.1	1.2	1179	5.1	1.3	1074	5.1	1.5	927	5.1	1.6	863	5.1	1.8	755	5.1	2.5	546	5.1	2.8	502	5.1	3.2	429	5.1	3.7	372	5.1	4.0	348	5.1	4.6	301	5.1	5.5	255	5.1	6.1	228	5.1	0.10	14369	6.7	0.11	12095	6.7	0.13	10860	6.7	0.15	9445	6.7	0.16	8480	6.7	0.19	7312	6.7	0.21	6521	6.7	0.25	5585	6.7	0.28	4928	6.7	0.32	4378	6.7	0.36	3873	6.7	0.42	3344	6.7	0.48	2907	6.7	0.54	2567	6.7	0.62	2244	6.7	0.71	1967	6.7																																																																																																																																																																																																																																																																																																															
0.25	5624	5.1		0.29		4849	5.1			0.31	4520	5.1			0.35		3951	5.1		0.38	3704	5.1		0.43		3268	5.1		0.48	2898		5.1	0.56	2463			5.1	0.54	2598	5.1	0.58	2383			5.1	0.69	2029	5.1	0.79	1749	5.1	0.85	1630	5.1	0.98	1425	5.1	1.0	1336	5.1	1.2	1179	5.1	1.3	1074	5.1	1.5	927	5.1	1.6	863	5.1	1.8	755	5.1	2.5	546	5.1	2.8	502	5.1	3.2	429	5.1	3.7	372	5.1	4.0	348	5.1	4.6	301	5.1	5.5	255	5.1	6.1	228	5.1	0.10	14369	6.7	0.11	12095	6.7	0.13	10860	6.7	0.15	9445	6.7	0.16	8480	6.7	0.19	7312	6.7	0.21	6521	6.7	0.25	5585	6.7	0.28	4928	6.7	0.32	4378	6.7	0.36	3873	6.7	0.42	3344	6.7	0.48	2907	6.7	0.54	2567	6.7	0.62	2244	6.7	0.71	1967	6.7																																																																																																																																																																																																																																																																																																																		
0.29	4849	5.1		0.31		4520	5.1			0.35	3951	5.1			0.38		3704	5.1		0.43	3268	5.1		0.48		2898	5.1		0.56	2463		5.1	0.54	2598			5.1	0.58	2383	5.1	0.69	2029	5.1	0.79	1749	5.1	0.85	1630	5.1	0.98	1425	5.1	1.0	1336	5.1	1.2	1179	5.1	1.3	1074	5.1	1.5	927	5.1	1.6	863	5.1	1.8	755	5.1	2.5	546	5.1	2.8	502	5.1	3.2	429	5.1	3.7	372	5.1	4.0	348	5.1	4.6	301	5.1	5.5	255	5.1	6.1	228	5.1	0.10	14369	6.7	0.11	12095	6.7	0.13	10860	6.7	0.15	9445	6.7	0.16	8480	6.7	0.19	7312	6.7	0.21	6521	6.7	0.25	5585	6.7	0.28	4928	6.7	0.32	4378	6.7	0.36	3873	6.7	0.42	3344	6.7	0.48	2907	6.7	0.54	2567	6.7	0.62	2244	6.7	0.71	1967	6.7																																																																																																																																																																																																																																																																																																																							
0.31	4520	5.1		0.35		3951	5.1			0.38	3704	5.1			0.43		3268	5.1		0.48	2898	5.1		0.56		2463	5.1		0.54	2598		5.1	0.58	2383	5.1	0.69	2029	5.1	0.79	1749	5.1	0.85	1630	5.1	0.98	1425	5.1	1.0	1336	5.1	1.2	1179	5.1	1.3	1074	5.1	1.5	927	5.1	1.6	863	5.1	1.8	755	5.1	2.5	546	5.1	2.8	502	5.1	3.2	429	5.1	3.7	372	5.1	4.0	348	5.1	4.6	301	5.1	5.5	255	5.1	6.1	228	5.1	0.10	14369	6.7	0.11	12095	6.7	0.13	10860	6.7	0.15	9445	6.7	0.16	8480	6.7	0.19	7312	6.7	0.21	6521	6.7	0.25	5585	6.7	0.28	4928	6.7	0.32	4378	6.7	0.36	3873	6.7	0.42	3344	6.7	0.48	2907	6.7	0.54	2567	6.7	0.62	2244	6.7	0.71	1967	6.7																																																																																																																																																																																																																																																																																																																												
0.35	3951	5.1		0.38		3704	5.1			0.43	3268	5.1			0.48		2898	5.1		0.56	2463	5.1		0.54		2598	5.1	0.58	2383	5.1	0.69	2029	5.1	0.79	1749	5.1	0.85	1630	5.1	0.98	1425	5.1	1.0	1336	5.1	1.2	1179	5.1	1.3	1074	5.1	1.5	927	5.1	1.6	863	5.1	1.8	755	5.1	2.5	546	5.1	2.8	502	5.1	3.2	429	5.1	3.7	372	5.1	4.0	348	5.1	4.6	301	5.1	5.5	255	5.1	6.1	228	5.1	0.10	14369	6.7	0.11	12095	6.7	0.13	10860	6.7	0.15	9445	6.7	0.16	8480	6.7	0.19	7312	6.7	0.21	6521	6.7	0.25	5585	6.7	0.28	4928	6.7	0.32	4378	6.7	0.36	3873	6.7	0.42	3344	6.7	0.48	2907	6.7	0.54	2567	6.7	0.62	2244	6.7	0.71	1967	6.7																																																																																																																																																																																																																																																																																																																																	
0.38	3704	5.1		0.43		3268	5.1			0.48	2898	5.1			0.56		2463	5.1		0.54	2598	5.1	0.58	2383	5.1	0.69	2029	5.1	0.79	1749	5.1	0.85	1630	5.1	0.98	1425	5.1	1.0	1336	5.1	1.2	1179	5.1	1.3	1074	5.1	1.5	927	5.1	1.6	863	5.1	1.8	755	5.1	2.5	546	5.1	2.8	502	5.1	3.2	429	5.1	3.7	372	5.1	4.0	348	5.1	4.6	301	5.1	5.5	255	5.1	6.1	228	5.1	0.10	14369	6.7	0.11	12095	6.7	0.13	10860	6.7	0.15	9445	6.7	0.16	8480	6.7	0.19	7312	6.7	0.21	6521	6.7	0.25	5585	6.7	0.28	4928	6.7	0.32	4378	6.7	0.36	3873	6.7	0.42	3344	6.7	0.48	2907	6.7	0.54	2567	6.7	0.62	2244	6.7	0.71	1967	6.7																																																																																																																																																																																																																																																																																																																																						
0.43	3268	5.1		0.48		2898	5.1			0.56	2463	5.1			0.54	2598	5.1	0.58	2383	5.1	0.69	2029	5.1	0.79	1749	5.1	0.85	1630	5.1	0.98	1425	5.1	1.0	1336	5.1	1.2	1179	5.1	1.3	1074	5.1	1.5	927	5.1	1.6	863	5.1	1.8	755	5.1	2.5	546	5.1	2.8	502	5.1	3.2	429	5.1	3.7	372	5.1	4.0	348	5.1	4.6	301	5.1	5.5	255	5.1	6.1	228	5.1	0.10	14369	6.7	0.11	12095	6.7	0.13	10860	6.7	0.15	9445	6.7	0.16	8480	6.7	0.19	7312	6.7	0.21	6521	6.7	0.25	5585	6.7	0.28	4928	6.7	0.32	4378	6.7	0.36	3873	6.7	0.42	3344	6.7	0.48	2907	6.7	0.54	2567	6.7	0.62	2244	6.7	0.71	1967	6.7																																																																																																																																																																																																																																																																																																																																											
0.48	2898	5.1		0.56		2463	5.1			0.54	2598	5.1	0.58	2383	5.1	0.69	2029	5.1	0.79	1749	5.1	0.85	1630	5.1	0.98	1425	5.1	1.0	1336	5.1	1.2	1179	5.1	1.3	1074	5.1	1.5	927	5.1	1.6	863	5.1	1.8	755	5.1	2.5	546	5.1	2.8	502	5.1	3.2	429	5.1	3.7	372	5.1	4.0	348	5.1	4.6	301	5.1	5.5	255	5.1	6.1	228	5.1	0.10	14369	6.7	0.11	12095	6.7	0.13	10860	6.7	0.15	9445	6.7	0.16	8480	6.7	0.19	7312	6.7	0.21	6521	6.7	0.25	5585	6.7	0.28	4928	6.7	0.32	4378	6.7	0.36	3873	6.7	0.42	3344	6.7	0.48	2907	6.7	0.54	2567	6.7	0.62	2244	6.7	0.71	1967	6.7																																																																																																																																																																																																																																																																																																																																																
0.56	2463	5.1		0.54		2598	5.1	0.58	2383	5.1	0.69	2029	5.1	0.79	1749	5.1	0.85	1630	5.1	0.98	1425	5.1	1.0	1336	5.1	1.2	1179	5.1	1.3	1074	5.1	1.5	927	5.1	1.6	863	5.1	1.8	755	5.1	2.5	546	5.1	2.8	502	5.1	3.2	429	5.1	3.7	372	5.1	4.0	348	5.1	4.6	301	5.1	5.5	255	5.1	6.1	228	5.1	0.10	14369	6.7	0.11	12095	6.7	0.13	10860	6.7	0.15	9445	6.7	0.16	8480	6.7	0.19	7312	6.7	0.21	6521	6.7	0.25	5585	6.7	0.28	4928	6.7	0.32	4378	6.7	0.36	3873	6.7	0.42	3344	6.7	0.48	2907	6.7	0.54	2567	6.7	0.62	2244	6.7	0.71	1967	6.7																																																																																																																																																																																																																																																																																																																																																					
0.54	2598	5.1	0.58	2383	5.1	0.69	2029	5.1	0.79	1749	5.1	0.85	1630	5.1	0.98	1425	5.1	1.0	1336	5.1	1.2	1179	5.1	1.3	1074	5.1	1.5	927	5.1	1.6	863	5.1	1.8	755	5.1	2.5	546	5.1	2.8	502	5.1	3.2	429	5.1	3.7	372	5.1	4.0	348	5.1	4.6	301	5.1	5.5	255	5.1	6.1	228	5.1	0.10	14369	6.7	0.11	12095	6.7	0.13	10860	6.7	0.15	9445	6.7	0.16	8480	6.7	0.19	7312	6.7	0.21	6521	6.7	0.25	5585	6.7	0.28	4928	6.7	0.32	4378	6.7	0.36	3873	6.7	0.42	3344	6.7	0.48	2907	6.7	0.54	2567	6.7	0.62	2244	6.7	0.71	1967	6.7																																																																																																																																																																																																																																																																																																																																																										
0.58	2383	5.1	0.69	2029	5.1	0.79	1749	5.1	0.85	1630	5.1	0.98	1425	5.1	1.0	1336	5.1	1.2	1179	5.1	1.3	1074	5.1	1.5	927	5.1	1.6	863	5.1	1.8	755	5.1	2.5	546	5.1	2.8	502	5.1	3.2	429	5.1	3.7	372	5.1	4.0	348	5.1	4.6	301	5.1	5.5	255	5.1	6.1	228	5.1	0.10	14369	6.7	0.11	12095	6.7	0.13	10860	6.7	0.15	9445	6.7	0.16	8480	6.7	0.19	7312	6.7	0.21	6521	6.7	0.25	5585	6.7	0.28	4928	6.7	0.32	4378	6.7	0.36	3873	6.7	0.42	3344	6.7	0.48	2907	6.7	0.54	2567	6.7	0.62	2244	6.7	0.71	1967	6.7																																																																																																																																																																																																																																																																																																																																																													
0.69	2029	5.1	0.79	1749	5.1	0.85	1630	5.1	0.98	1425	5.1	1.0	1336	5.1	1.2	1179	5.1	1.3	1074	5.1	1.5	927	5.1	1.6	863	5.1	1.8	755	5.1	2.5	546	5.1	2.8	502	5.1	3.2	429	5.1	3.7	372	5.1	4.0	348	5.1	4.6	301	5.1	5.5	255	5.1	6.1	228	5.1	0.10	14369	6.7	0.11	12095	6.7	0.13	10860	6.7	0.15	9445	6.7	0.16	8480	6.7	0.19	7312	6.7	0.21	6521	6.7	0.25	5585	6.7	0.28	4928	6.7	0.32	4378	6.7	0.36	3873	6.7	0.42	3344	6.7	0.48	2907	6.7	0.54	2567	6.7	0.62	2244	6.7	0.71	1967	6.7																																																																																																																																																																																																																																																																																																																																																																
0.79	1749	5.1	0.85	1630	5.1	0.98	1425	5.1	1.0	1336	5.1	1.2	1179	5.1	1.3	1074	5.1	1.5	927	5.1	1.6	863	5.1	1.8	755	5.1	2.5	546	5.1	2.8	502	5.1	3.2	429	5.1	3.7	372	5.1	4.0	348	5.1	4.6	301	5.1	5.5	255	5.1	6.1	228	5.1	0.10	14369	6.7	0.11	12095	6.7	0.13	10860	6.7	0.15	9445	6.7	0.16	8480	6.7	0.19	7312	6.7	0.21	6521	6.7	0.25	5585	6.7	0.28	4928	6.7	0.32	4378	6.7	0.36	3873	6.7	0.42	3344	6.7	0.48	2907	6.7	0.54	2567	6.7	0.62	2244	6.7	0.71	1967	6.7																																																																																																																																																																																																																																																																																																																																																																			
0.85	1630	5.1	0.98	1425	5.1	1.0	1336	5.1	1.2	1179	5.1	1.3	1074	5.1	1.5	927	5.1	1.6	863	5.1	1.8	755	5.1	2.5	546	5.1	2.8	502	5.1	3.2	429	5.1	3.7	372	5.1	4.0	348	5.1	4.6	301	5.1	5.5	255	5.1	6.1	228	5.1	0.10	14369	6.7	0.11	12095	6.7	0.13	10860	6.7	0.15	9445	6.7	0.16	8480	6.7	0.19	7312	6.7	0.21	6521	6.7	0.25	5585	6.7	0.28	4928	6.7	0.32	4378	6.7	0.36	3873	6.7	0.42	3344	6.7	0.48	2907	6.7	0.54	2567	6.7	0.62	2244	6.7	0.71	1967	6.7																																																																																																																																																																																																																																																																																																																																																																						
0.98	1425	5.1	1.0	1336	5.1	1.2	1179	5.1	1.3	1074	5.1	1.5	927	5.1	1.6	863	5.1	1.8	755	5.1	2.5	546	5.1	2.8	502	5.1	3.2	429	5.1	3.7	372	5.1	4.0	348	5.1	4.6	301	5.1	5.5	255	5.1	6.1	228	5.1	0.10	14369	6.7	0.11	12095	6.7	0.13	10860	6.7	0.15	9445	6.7	0.16	8480	6.7	0.19	7312	6.7	0.21	6521	6.7	0.25	5585	6.7	0.28	4928	6.7	0.32	4378	6.7	0.36	3873	6.7	0.42	3344	6.7	0.48	2907	6.7	0.54	2567	6.7	0.62	2244	6.7	0.71	1967	6.7																																																																																																																																																																																																																																																																																																																																																																									
1.0	1336	5.1	1.2	1179	5.1	1.3	1074	5.1	1.5	927	5.1	1.6	863	5.1	1.8	755	5.1	2.5	546	5.1	2.8	502	5.1	3.2	429	5.1	3.7	372	5.1	4.0	348	5.1	4.6	301	5.1	5.5	255	5.1	6.1	228	5.1	0.10	14369	6.7	0.11	12095	6.7	0.13	10860	6.7	0.15	9445	6.7	0.16	8480	6.7	0.19	7312	6.7	0.21	6521	6.7	0.25	5585	6.7	0.28	4928	6.7	0.32	4378	6.7	0.36	3873	6.7	0.42	3344	6.7	0.48	2907	6.7	0.54	2567	6.7	0.62	2244	6.7	0.71	1967	6.7																																																																																																																																																																																																																																																																																																																																																																												
1.2	1179	5.1	1.3	1074	5.1	1.5	927	5.1	1.6	863	5.1	1.8	755	5.1	2.5	546	5.1	2.8	502	5.1	3.2	429	5.1	3.7	372	5.1	4.0	348	5.1	4.6	301	5.1	5.5	255	5.1	6.1	228	5.1	0.10	14369	6.7	0.11	12095	6.7	0.13	10860	6.7	0.15	9445	6.7	0.16	8480	6.7	0.19	7312	6.7	0.21	6521	6.7	0.25	5585	6.7	0.28	4928	6.7	0.32	4378	6.7	0.36	3873	6.7	0.42	3344	6.7	0.48	2907	6.7	0.54	2567	6.7	0.62	2244	6.7	0.71	1967	6.7																																																																																																																																																																																																																																																																																																																																																																															
1.3	1074	5.1	1.5	927	5.1	1.6	863	5.1	1.8	755	5.1	2.5	546	5.1	2.8	502	5.1	3.2	429	5.1	3.7	372	5.1	4.0	348	5.1	4.6	301	5.1	5.5	255	5.1	6.1	228	5.1	0.10	14369	6.7	0.11	12095	6.7	0.13	10860	6.7	0.15	9445	6.7	0.16	8480	6.7	0.19	7312	6.7	0.21	6521	6.7	0.25	5585	6.7	0.28	4928	6.7	0.32	4378	6.7	0.36	3873	6.7	0.42	3344	6.7	0.48	2907	6.7	0.54	2567	6.7	0.62	2244	6.7	0.71	1967	6.7																																																																																																																																																																																																																																																																																																																																																																																		
1.5	927	5.1	1.6	863	5.1	1.8	755	5.1	2.5	546	5.1	2.8	502	5.1	3.2	429	5.1	3.7	372	5.1	4.0	348	5.1	4.6	301	5.1	5.5	255	5.1	6.1	228	5.1	0.10	14369	6.7	0.11	12095	6.7	0.13	10860	6.7	0.15	9445	6.7	0.16	8480	6.7	0.19	7312	6.7	0.21	6521	6.7	0.25	5585	6.7	0.28	4928	6.7	0.32	4378	6.7	0.36	3873	6.7	0.42	3344	6.7	0.48	2907	6.7	0.54	2567	6.7	0.62	2244	6.7	0.71	1967	6.7																																																																																																																																																																																																																																																																																																																																																																																					
1.6	863	5.1	1.8	755	5.1	2.5	546	5.1	2.8	502	5.1	3.2	429	5.1	3.7	372	5.1	4.0	348	5.1	4.6	301	5.1	5.5	255	5.1	6.1	228	5.1	0.10	14369	6.7	0.11	12095	6.7	0.13	10860	6.7	0.15	9445	6.7	0.16	8480	6.7	0.19	7312	6.7	0.21	6521	6.7	0.25	5585	6.7	0.28	4928	6.7	0.32	4378	6.7	0.36	3873	6.7	0.42	3344	6.7	0.48	2907	6.7	0.54	2567	6.7	0.62	2244	6.7	0.71	1967	6.7																																																																																																																																																																																																																																																																																																																																																																																								
1.8	755	5.1	2.5	546	5.1	2.8	502	5.1	3.2	429	5.1	3.7	372	5.1	4.0	348	5.1	4.6	301	5.1	5.5	255	5.1	6.1	228	5.1	0.10	14369	6.7	0.11	12095	6.7	0.13	10860	6.7	0.15	9445	6.7	0.16	8480	6.7	0.19	7312	6.7	0.21	6521	6.7	0.25	5585	6.7	0.28	4928	6.7	0.32	4378	6.7	0.36	3873	6.7	0.42	3344	6.7	0.48	2907	6.7	0.54	2567	6.7	0.62	2244	6.7	0.71	1967	6.7																																																																																																																																																																																																																																																																																																																																																																																											
2.5	546	5.1	2.8	502	5.1	3.2	429	5.1	3.7	372	5.1	4.0	348	5.1	4.6	301	5.1	5.5	255	5.1	6.1	228	5.1	0.10	14369	6.7	0.11	12095	6.7	0.13	10860	6.7	0.15	9445	6.7	0.16	8480	6.7	0.19	7312	6.7	0.21	6521	6.7	0.25	5585	6.7	0.28	4928	6.7	0.32	4378	6.7	0.36	3873	6.7	0.42	3344	6.7	0.48	2907	6.7	0.54	2567	6.7	0.62	2244	6.7	0.71	1967	6.7																																																																																																																																																																																																																																																																																																																																																																																														
2.8	502	5.1	3.2	429	5.1	3.7	372	5.1	4.0	348	5.1	4.6	301	5.1	5.5	255	5.1	6.1	228	5.1	0.10	14369	6.7	0.11	12095	6.7	0.13	10860	6.7	0.15	9445	6.7	0.16	8480	6.7	0.19	7312	6.7	0.21	6521	6.7	0.25	5585	6.7	0.28	4928	6.7	0.32	4378	6.7	0.36	3873	6.7	0.42	3344	6.7	0.48	2907	6.7	0.54	2567	6.7	0.62	2244	6.7	0.71	1967	6.7																																																																																																																																																																																																																																																																																																																																																																																																	
3.2	429	5.1	3.7	372	5.1	4.0	348	5.1	4.6	301	5.1	5.5	255	5.1	6.1	228	5.1	0.10	14369	6.7	0.11	12095	6.7	0.13	10860	6.7	0.15	9445	6.7	0.16	8480	6.7	0.19	7312	6.7	0.21	6521	6.7	0.25	5585	6.7	0.28	4928	6.7	0.32	4378	6.7	0.36	3873	6.7	0.42	3344	6.7	0.48	2907	6.7	0.54	2567	6.7	0.62	2244	6.7	0.71	1967	6.7																																																																																																																																																																																																																																																																																																																																																																																																				
3.7	372	5.1	4.0	348	5.1	4.6	301	5.1	5.5	255	5.1	6.1	228	5.1	0.10	14369	6.7	0.11	12095	6.7	0.13	10860	6.7	0.15	9445	6.7	0.16	8480	6.7	0.19	7312	6.7	0.21	6521	6.7	0.25	5585	6.7	0.28	4928	6.7	0.32	4378	6.7	0.36	3873	6.7	0.42	3344	6.7	0.48	2907	6.7	0.54	2567	6.7	0.62	2244	6.7	0.71	1967	6.7																																																																																																																																																																																																																																																																																																																																																																																																							
4.0	348	5.1	4.6	301	5.1	5.5	255	5.1	6.1	228	5.1	0.10	14369	6.7	0.11	12095	6.7	0.13	10860	6.7	0.15	9445	6.7	0.16	8480	6.7	0.19	7312	6.7	0.21	6521	6.7	0.25	5585	6.7	0.28	4928	6.7	0.32	4378	6.7	0.36	3873	6.7	0.42	3344	6.7	0.48	2907	6.7	0.54	2567	6.7	0.62	2244	6.7	0.71	1967	6.7																																																																																																																																																																																																																																																																																																																																																																																																										
4.6	301	5.1	5.5	255	5.1	6.1	228	5.1	0.10	14369	6.7	0.11	12095	6.7	0.13	10860	6.7	0.15	9445	6.7	0.16	8480	6.7	0.19	7312	6.7	0.21	6521	6.7	0.25	5585	6.7	0.28	4928	6.7	0.32	4378	6.7	0.36	3873	6.7	0.42	3344	6.7	0.48	2907	6.7	0.54	2567	6.7	0.62	2244	6.7	0.71	1967	6.7																																																																																																																																																																																																																																																																																																																																																																																																													
5.5	255	5.1	6.1	228	5.1	0.10	14369	6.7	0.11	12095	6.7	0.13	10860	6.7	0.15	9445	6.7	0.16	8480	6.7	0.19	7312	6.7	0.21	6521	6.7	0.25	5585	6.7	0.28	4928	6.7	0.32	4378	6.7	0.36	3873	6.7	0.42	3344	6.7	0.48	2907	6.7	0.54	2567	6.7	0.62	2244	6.7	0.71	1967	6.7																																																																																																																																																																																																																																																																																																																																																																																																																
6.1	228	5.1	0.10	14369	6.7	0.11	12095	6.7	0.13	10860	6.7	0.15	9445	6.7	0.16	8480	6.7	0.19	7312	6.7	0.21	6521	6.7	0.25	5585	6.7	0.28	4928	6.7	0.32	4378	6.7	0.36	3873	6.7	0.42	3344	6.7	0.48	2907	6.7	0.54	2567	6.7	0.62	2244	6.7	0.71	1967	6.7																																																																																																																																																																																																																																																																																																																																																																																																																			
0.10	14369	6.7	0.11	12095	6.7	0.13	10860	6.7	0.15	9445	6.7	0.16	8480	6.7	0.19	7312	6.7	0.21	6521	6.7	0.25	5585	6.7	0.28	4928	6.7	0.32	4378	6.7	0.36	3873	6.7	0.42	3344	6.7	0.48	2907	6.7	0.54	2567	6.7	0.62	2244	6.7	0.71	1967	6.7																																																																																																																																																																																																																																																																																																																																																																																																																						
0.11	12095	6.7	0.13	10860	6.7	0.15	9445	6.7	0.16	8480	6.7	0.19	7312	6.7	0.21	6521	6.7	0.25	5585	6.7	0.28	4928	6.7	0.32	4378	6.7	0.36	3873	6.7	0.42	3344	6.7	0.48	2907	6.7	0.54	2567	6.7	0.62	2244	6.7	0.71	1967	6.7																																																																																																																																																																																																																																																																																																																																																																																																																									
0.13	10860	6.7	0.15	9445	6.7	0.16	8480	6.7	0.19	7312	6.7	0.21	6521	6.7	0.25	5585	6.7	0.28	4928	6.7	0.32	4378	6.7	0.36	3873	6.7	0.42	3344	6.7	0.48	2907	6.7	0.54	2567	6.7	0.62	2244	6.7	0.71	1967	6.7																																																																																																																																																																																																																																																																																																																																																																																																																												
0.15	9445	6.7	0.16	8480	6.7	0.19	7312	6.7	0.21	6521	6.7	0.25	5585	6.7	0.28	4928	6.7	0.32	4378	6.7	0.36	3873	6.7	0.42	3344	6.7	0.48	2907	6.7	0.54	2567	6.7	0.62	2244	6.7	0.71	1967	6.7																																																																																																																																																																																																																																																																																																																																																																																																																															
0.16	8480	6.7	0.19	7312	6.7	0.21	6521	6.7	0.25	5585	6.7	0.28	4928	6.7	0.32	4378	6.7	0.36	3873	6.7	0.42	3344	6.7	0.48	2907	6.7	0.54	2567	6.7	0.62	2244	6.7	0.71	1967	6.7																																																																																																																																																																																																																																																																																																																																																																																																																																		
0.19	7312	6.7	0.21	6521	6.7	0.25	5585	6.7	0.28	4928	6.7	0.32	4378	6.7	0.36	3873	6.7	0.42	3344	6.7	0.48	2907	6.7	0.54	2567	6.7	0.62	2244	6.7	0.71	1967	6.7																																																																																																																																																																																																																																																																																																																																																																																																																																					
0.21	6521	6.7	0.25	5585	6.7	0.28	4928	6.7	0.32	4378	6.7	0.36	3873	6.7	0.42	3344	6.7	0.48	2907	6.7	0.54	2567	6.7	0.62	2244	6.7	0.71	1967	6.7																																																																																																																																																																																																																																																																																																																																																																																																																																								
0.25	5585	6.7	0.28	4928	6.7	0.32	4378	6.7	0.36	3873	6.7	0.42	3344	6.7	0.48	2907	6.7	0.54	2567	6.7	0.62	2244	6.7	0.71	1967	6.7																																																																																																																																																																																																																																																																																																																																																																																																																																											
0.28	4928	6.7	0.32	4378	6.7	0.36	3873	6.7	0.42	3344	6.7	0.48	2907	6.7	0.54	2567	6.7	0.62	2244	6.7	0.71	1967	6.7																																																																																																																																																																																																																																																																																																																																																																																																																																														
0.32	4378	6.7	0.36	3873	6.7	0.42	3344	6.7	0.48	2907	6.7	0.54	2567	6.7	0.62	2244	6.7	0.71	1967	6.7																																																																																																																																																																																																																																																																																																																																																																																																																																																	
0.36	3873	6.7	0.42	3344	6.7	0.48	2907	6.7	0.54	2567	6.7	0.62	2244	6.7	0.71	1967	6.7																																																																																																																																																																																																																																																																																																																																																																																																																																																				
0.42	3344	6.7	0.48	2907	6.7	0.54	2567	6.7	0.62	2244	6.7	0.71	1967	6.7																																																																																																																																																																																																																																																																																																																																																																																																																																																							
0.48	2907	6.7	0.54	2567	6.7	0.62	2244	6.7	0.71	1967	6.7																																																																																																																																																																																																																																																																																																																																																																																																																																																										
0.54	2567	6.7	0.62	2244	6.7	0.71	1967	6.7																																																																																																																																																																																																																																																																																																																																																																																																																																																													
0.62	2244	6.7	0.71	1967	6.7																																																																																																																																																																																																																																																																																																																																																																																																																																																																
0.71	1967	6.7																																																																																																																																																																																																																																																																																																																																																																																																																																																																			

选型参数表
(恒转矩)
Selection Table
(Constant Torque)

M_{amax} [N.m]	n_a [r/min]	i	F_{Ra} [kN]	机型号 Type size	P [kW]/4P	M_{amax} [N.m]	n_a [r/min]	i	F_{Ra} [kN]	机型号 Type size	P [kW]/4P					
450	0.80	1732	6.7	GR59R39 GRF59R39	0.12	820	0.16	8714	9.4	GR79R39 GRF79R39	0.12					
	0.89	1555	6.7				0.18	7617	9.4							
	0.99	1399	6.7				0.21	6770	9.4							
	1.2	1189	6.7				0.24	5838	9.4							
	1.3	1034	6.7				0.27	5184	9.4							
	1.8	782	6.7				0.31	4470	9.4							
	2.1	678	6.7	0.35	3999		9.4	GR79R39 GRF79R39	0.12							
	2.3	604	6.7	0.40	3488		9.4									
	2.6	537	6.7	0.46	3053		9.4									
	3.0	471	6.7	0.52	2671		9.4									
	3.9	357	6.7	0.44	3151		9.4									
	4.4	319	6.7	0.48	2890		9.4									
	600	5.1	273	6.7	GR59R39		0.25	0.57	2460	9.4	GR79R39 GRF79R39	0.12				
		5.8	241	6.7	GRF59R39		0.37	0.66	2121	9.4						
0.09		15361	7.2	GR69R39 GRF69R39	0.12	0.70	1977	9.4								
0.11		12931	7.2			0.80	1728	9.4								
0.12		11996	7.2			0.86	1620	9.4								
0.14		10097	7.2			0.97	1430	9.4								
0.15		9066	7.2			1.1	1303	9.4								
0.18		7816	7.2			1.2	1124	9.4								
0.21		6732	7.2			1.3	1047	9.4	GR79R39 GRF79R39	0.18						
0.23		5970	7.2			1.5	915	9.4								
0.26		5268	7.2			1.6	858	9.4								
0.30		4680	7.2			1.8	757	9.4								
0.34		4136	7.2			2.1	671	9.4					GR79R39 GRF79R39	0.25		
0.39		3566	7.2			2.4	571	9.4								
0.44		3125	7.2			GR79R39 GRF79R39	0.25	2.5	560	9.4						
0.51		2745	7.2					2.8	488	9.4			GR79R39 GRF79R39	0.37		
0.58		2403	7.2	3.2	436	9.4										
0.52		2682	7.2	3.7	373	9.4										
0.57		2460	7.2	GR69R39 GRF69R39	0.12	4.3	327	9.4	GR79R39 GRF79R39	0.55						
0.66		2094	7.2			4.8	289	9.4								
0.77		1805	7.2			5.3	260	9.4								
0.85		1629	7.2			1550	0.08	17527					16	GR89R59 GRF89R59	0.12	
0.94		1471	7.2					0.09					15375			16
1.0		1379	7.2					0.10					13872			16
1.9		730	7.2					0.12					12076			16
2.4		571	7.2					0.13					10594			16
GR69R39 GRF69R39		0.25	2.9	486	7.2			0.15	9283	16						
			0.84	1652	7.2			0.17	8144	16						
GR69R39 GRF69R39	0.12	0.97	1432	7.2	0.20			7069	16							
		1.1	1259	7.2	0.22			6201	16							
GR69R39 GRF69R39	0.18	1.3	1106	7.2	0.25			5473	16							
		1.7	836	7.2	0.29			4852	16							
		1.9	750	7.2	0.33			4224	16							
		2.2	646	7.2	0.37			3761	16							
		2.4	574	7.2	0.43			3247	16							
		2.8	495	7.2	0.48	2885	16									
GR69R39 GRF69R39	0.25	3.2	438	7.2	0.71	1969	16	GR89R59 GRF89R59	0.18							
		3.6	388	7.2												
GR69R39 GRF69R39	0.37	4.0	344	7.2				0.34	4037	16	GR89R59 GRF89R59	0.12				
		4.7	294	7.2				0.44	3195	16						
820	0.08	16370	9.4	GR79R39 GRF79R39				0.12	0.50	2781			16			
		0.09	15015						9.4	0.53			2606	16		
		0.10	13885						9.4	0.65			2138	16		
		0.11	12783						9.4	0.72			1938	16	GR89R59 GRF89R59	0.18
		0.13	11021						9.4	0.80	1740	16				
		0.14	9788						9.4	0.93	1495	16				

选型参数表
(恒转矩)
Selection Table
(Constant Torque)

M_{amax} [N.m]	n_a [r/min]	i	F_{Ra} [kN]	机型号 Type size	P [kW]/4P	M_{amax} [N.m]	n_a [r/min]	i	F_{Ra} [kN]	机型号 Type size	P [kW]/4P		
1550	1	1401	16		0.25	3000	1.8	755	19	GR99R59 GRF99R59	0.75		
	1.1	1237	16	GR89R59 GRF89R59			0.76	1823	19				
	1.2	1150	16				0.88	1583	19	GR99R59 GRF99R59		0.37	
	1.3	1042	16				1	1396	19				
	1.7	806	16	GR89R59 GRF89R59			0.37	1.1	1228	19			
	1.8	758	16					1.3	1069	19		GR99R59 GRF99R59	0.55
	0.8	1744	16	GR89R59 GRF89R59			0.18	1.5	938	19			
	0.9	1530	16					1.7	824	19		GR99R59 GRF99R59	0.75
	1.1	1308	16	GR89R59 GRF89R59			0.25	1.9	737	19			
	1.4	1012	16	GR89R59 GRF89R59				0.55	2.2	632		19	
	1.6	889	16	GR89R59 GRF89R59			0.37		2.5	560		19	GR99R59 GRF99R59
	2	688	16	GR89R59 GRF89R59				0.55	2.9	484		19	
	2.3	601	16				3.2		431	19		GR99R59 GRF99R59	1.5
	3.5	399	16	GR89R59 GRF89R59			0.75	3.7	379	19			
	3.9	354	16					4.2	336	19		GR99R59 GRF99R59	2.2
	4.6	306	16	GR89R59 GRF89R59			1.1	4.8	296	19			
	5.2	269	16					5.7	249	19		GR99R59 GRF99R59	1.1
	2.6	540	16	GR89R59 GRF89R59			0.55	6.1	234	19			
	2.9	474	16					2.2	625	19		GR99R59 GRF99R59	2.2
	3.5	402	16	GR89R59 GRF89R59			0.75	2.6	549	19			
3.8	363	16		5.3	270	19		GR99R59 GRF99R59	1.1				
4.7	301	16	GR89R59 GRF89R59	1.1	6.3	227	19						
5.4	257	16			4300	0.07	20018	28		0.12			
3000	0.06	21769	19		0.08	17080	28						
	0.07	19332	19		0.09	14936	28						
	0.08	17230	19		0.11	12829	28	GR109R79 GRF109R79					
	0.09	14999	19		0.12	11256	28						
	0.1	13320	19		0.15	9547	28						
	0.12	11156	19	GR99R59 GRF99R59	0.16	8618	28						
	0.14	10030	19		0.18	7583	28						
	0.16	8706	19		0.21	6743	28						
	0.18	7692	19		0.24	5914	28	GR109R79 GRF109R79	0.18				
	0.21	6708	19		0.27	5168	28						
	0.23	5931	19		0.31	4435	28						
	0.27	5161	19		0.36	3896	28	GR109R79 GRF109R79	0.25				
	0.35	4004	19	GR99R59 GRF99R59	0.46	3039	28						
	0.4	3481	19		0.35	3918	28	GR109R79 GRF109R79	0.18				
	0.3	4678	19	GR99R59 GRF99R59	0.42	3343	28	GR109R79 GRF109R79		0.25			
	0.32	4309	19		0.46	3034	28						
	0.38	3702	19	GR99R59 GRF99R59	0.52	2653	28	GR109R79 GRF109R79	0.37				
	0.46	3019	19		0.61	2280	28						
	0.52	2668	19	GR99R59 GRF99R59	0.67	2067	28	GR109R79 GRF109R79	0.55				
	0.62	2245	19		0.82	1693	28						
0.69	2016	19		0.9	1550	28	GR109R79 GRF109R79	0.75					
0.8	1733	19		0.99	1407	28							
0.86	1623	19	GR99R59 GRF99R59	1.1	1209	28	GR109R79 GRF109R79	1.1					
0.97	1434	19		1.3	1055	28							
1.2	1207	19		1.5	919	28	GR109R79 GRF109R79	1.5					
1.3	1084	19	GR99R59 GRF99R59	1.7	815	28							
1.5	934	19		2	717	28							
1.6	878	19		2.2	626	28	GR109R79 GRF109R79						
				2.7	528	28							

选型参数表
(恒转矩)
Selection Table
(Constant Torque)

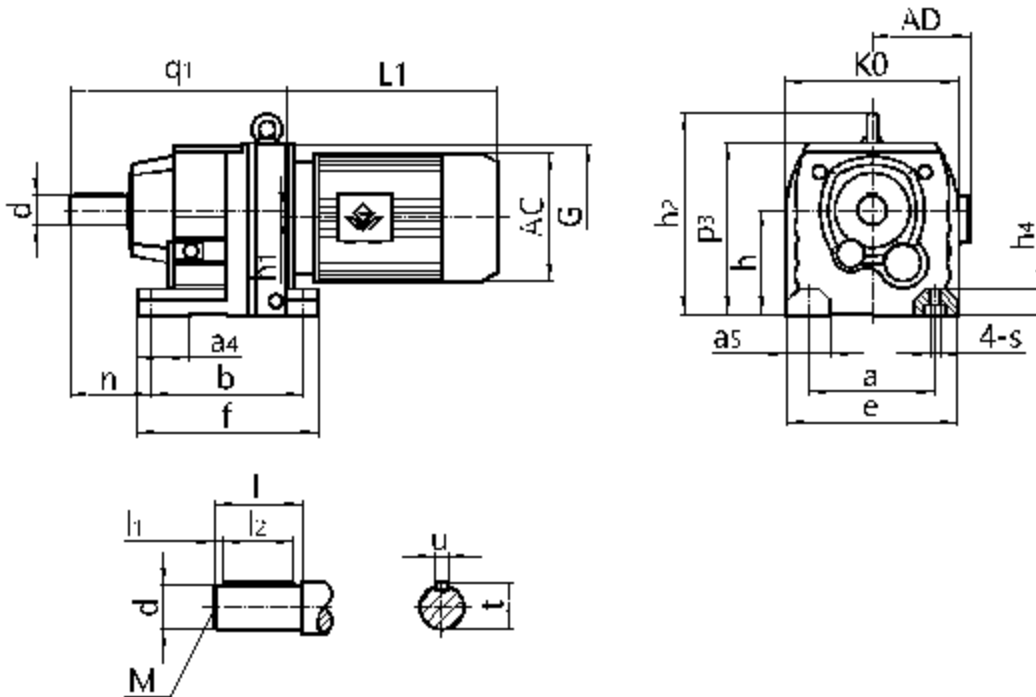
M _{amax} [N.m]	n _a [r/min]	i	F _{Ra} [kN]	机型号 Type size	P [kW]/4P	M _{amax} [N.m]	n _a [r/min]	i	F _{Ra} [kN]	机型号 Type size	P [kW]/4P
4300	0.7	1987	28	GR109R79 GRF109R79	0.37	8000	1.3	1105	51	GR139R79 GRF139R79	1.5
	0.76	1827	28	GR109R79 GRF109R79	0.55		1.3	1043	51	GR139R79 GRF139R79	
	0.87	1599	28	GR109R79 GRF109R79			0.75	1.6	888		51
	0.99	1400	28	GR109R79 GRF109R79	1.1			2	699	51	GR139R79 GRF139R79
	1.1	1226	28	GR109R79 GRF109R79			1.5	2.3	609	51	
	1.3	1104	28	GR109R79 GRF109R79	2.2			0.52	2658	51	GR139R79 GRF139R79
	1.5	939	28	GR109R79 GRF109R79			3	0.58	2412	51	
	1.7	822	28	GR109R79 GRF109R79	4			0.67	2073	51	GR139R79 GRF139R79
	2.3	614	28	GR109R79 GRF109R79			5.5	0.76	1839	51	
	2.6	544	28	GR109R79 GRF109R79	1.1			0.88	1598	51	GR139R79 GRF139R79
	2.8	492	28	GR109R79 GRF109R79			1.5	1	1397	51	
	3.4	417	28	GR109R79 GRF109R79	2.2			1.1	1226	51	GR139R79 GRF139R79
	3.8	369	28	GR109R79 GRF109R79			3	1.3	1090	51	
	4.4	323	28	GR109R79 GRF109R79	4			1.5	951	51	GR139R79 GRF139R79
	5	285	28	GR109R79 GRF109R79			5.5	1.7	831	51	
	5.6	253	28	GR109R79 GRF109R79	1.1			1.9	730	51	GR139R79 GRF139R79
	6.7	214	28	GR109R79 GRF109R79			1.5	2.3	629	51	
	7.7	187	28	GR109R79 GRF109R79	2.2			2.5	560	51	GR139R79 GRF139R79
	3	469	28	GR109R79 GRF109R79			3	2.9	490	51	
	3.3	426	28	GR109R79 GRF109R79	4			3.4	428	51	GR139R79 GRF139R79
3.8	377	28	GR109R79 GRF109R79	5.5		3.8	381	51	GR139R79 GRF139R79		
4.4	325	28	GR109R79 GRF109R79		1.1	4.5	323	51		GR139R79 GRF139R79	
5	284	28	GR109R79 GRF109R79	1.5		4.9	291	51	GR139R79 GRF139R79		
5.5	256	28	GR109R79 GRF109R79		2.2	5.6	255	51		GR139R79 GRF139R79	
6.5	220	28	GR109R79 GRF109R79	3		2.5	564	51	GR139R79 GRF139R79		
7.5	193	28	GR109R79 GRF109R79		4	2.7	517	51		GR139R79 GRF139R79	
8.4	172	28	GR109R79 GRF109R79	5.5		3.1	453	51	GR139R79 GRF139R79		
8000	0.06	22203	51		GR139R79 GRF139R79	0.12	13000	0.06		23041	59
	0.07	18945	51	GR139R79 GRF139R79	0.18			0.07	21342	59	GR149R79 GRF149R79
	0.08	16566	51	GR139R79 GRF139R79		0.25		0.08	18201	59	
	0.09	14777	51	GR139R79 GRF139R79	0.37			0.09	15923	59	GR149R79 GRF149R79
	0.11	12921	51	GR139R79 GRF139R79		0.55		0.1	14075	59	
	0.12	11712	51	GR139R79 GRF139R79	0.75			0.11	12344	59	GR149R79 GRF149R79
	0.13	10573	51	GR139R79 GRF139R79		1.1		0.12	11143	59	
	0.16	8784	51	GR139R79 GRF139R79	1.5			0.14	9743	59	GR149R79 GRF149R79
	0.19	7479	51	GR139R79 GRF139R79		2.2		0.16	8443	59	
	0.21	6559	51	GR139R79 GRF139R79	3			0.19	7307	59	GR149R79 GRF149R79
	0.24	5834	51	GR139R79 GRF139R79		4		0.22	6447	59	
	0.27	5116	51	GR139R79 GRF139R79	5.5			0.25	5568	59	GR149R79 GRF149R79
	0.31	4464	51	GR139R79 GRF139R79		1.1		0.28	4926	59	
	0.35	3928	51	GR139R79 GRF139R79	1.5			0.32	4325	59	GR149R79 GRF149R79
	0.4	3454	51	GR139R79 GRF139R79		2.2		0.37	3754	59	
	0.46	2993	51	GR139R79 GRF139R79	3			0.42	3302	59	GR149R79 GRF149R79
	0.3	4709	51	GR139R79 GRF139R79		4		0.48	2898	59	
	0.35	4018	51	GR139R79 GRF139R79	5.5			0.55	2555	59	GR149R79 GRF149R79
	0.4	3514	51	GR139R79 GRF139R79		1.1		0.63	2211	59	
	0.42	3338	51	GR139R79 GRF139R79	1.5			0.72	1951	59	GR149R79 GRF149R79
0.47	2929	51	GR139R79 GRF139R79	2.2		0.82	1705	59	GR149R79 GRF149R79		
0.56	2484	51	GR139R79 GRF139R79		3	0.91	1536	59		GR149R79 GRF149R79	
0.62	2242	51	GR139R79 GRF139R79	4		1.1	1329	59	GR149R79 GRF149R79		
0.75	1863	51	GR139R79 GRF139R79		5.5	1.2	1166	59		GR149R79 GRF149R79	
0.88	1586	51	GR139R79 GRF139R79	1.1		1.4	1029	59	GR149R79 GRF149R79		
1	1391	51	GR139R79 GRF139R79		1.5						
1.1	1256	51	GR139R79 GRF139R79								

选型参数表
(恒转矩)
Selection Table
(Constant Torque)

M _{amax} [N.m]	n _a [r/min]	i	F _{Ra} [kN]	机型号 Type size	P [kW]/4P	M _{amax} [N.m]	n _a [r/min]	i	F _{Ra} [kN]	机型号 Type size	P [kW]/4P				
13000	1.6	889	59	GR149R79	3	18000	4.9	295	91	GR169R109	11				
	1.8	784	59	GRF149R79			GRF169R109								
	2.1	695	59	GR149R79 GRF149R79	4		6.4	229	91	GR169R109	15				
	2.3	619	59				GRF169R109								
	2.6	558	59	GR149R79 GRF149R79	5.5		7.3	200	91	GR169R109	11				
	2.9	489	59				GRF169R109								
	2.7	533	59	GR149R89	4		5	291	91	GR169R109	15				
				GRF149R89			GRF169R109								
	3.1	462	59	GR149R89	5.5		36600	0.05	25852	128	GR179R99 GRF179R99	0.55			
	3.4	426	59	GRF149R89				0.06	23175	128					
	3.9	368	59	GR149R89	7.5			0.07	19819	128					
	4.4	326	59	GRF149R89				0.08	18219	128					
	5.1	280	59	GR149R89	7.5			0.09	15581	128					
	5.8	247	59	GRF149R89				0.1	13817	128					
6.8	214	59	GR149R89	11	0.11	12482		128	GR179R99	0.75					
			GRF149R89		GRF179R99										
18000	0.05	27001	91	GR169R99 GRF169R99	0.55	0.16		8848	128	GR179R99 GRF179R99			1.1		
	0.06	22482	91			0.17		8475	128						
	0.07	20002	91			0.18		7734	128						
	0.08	17361	91			0.21		6614	128						
	0.09	15446	91			0.25		5534	128					GR179R99	1.5
	0.1	14051	91			0.28		4914	128					GRF179R99	
	0.12	11812	91			GR169R99 GRF169R99	1.1	0.33	4394		128	GR179R99		2.2	
	0.13	10509	91					0.36	3950		128	GRF179R99			
	0.14	9631	91			GR169R99 GRF169R99	1.1	0.42	3429		128	GR179R99 GRF179R99		3	
	0.18	7749	91					0.46	3098		128				
	0.2	6894	91			GR169R99	0.55	0.49	2914		128	GR179R99		4	
	0.23	6077	91			GRF169R99		0.53	2682		128				
	0.26	5407	91			GR169R99	0.75	0.63	2294		128	GR179R99		5.5	
	0.3	4650	91			GRF169R99		0.67	2158		128	GR179R99			7.5
	0.34	4129	91	GR169R99	1.1	0.78	1846	128	GR179R99	11					
	0.38	3692	91	GRF169R99		1	1435	128	GR179R99		15				
	0.53	2657	91	GR169R99	1.5	1.2	1189	128	GR179R99	18.5					
	0.6	2333	91	GRF169R99		1.2	1154	128	GR179R99		22				
	0.67	2085	91	GR169R99	2.2	1.5	957	128	GR179R99	30					
	0.76	1877	91	GRF169R99		1.9	768	128	GR179R99		37				
	0.85	1670	91	GR169R99	3	2.1	710	128	GR179R99	45					
	0.99	1438	91	GRF169R99		2.4	621	128	GR179R99						
	1.1	1279	91	GR169R99	4	2.6	563	128	GR179R99	22					
	1.3	1123	91	GRF169R99		3.1	481	128	GR179R99						
	1.4	999	91	GR169R99	5.5	3.1	477	128	GR179R99	30					
	1.7	861	91	GRF169R99		3.6	408	128	GR179R99						
	1.9	760	91	GR169R99	7.5	4.1	356	128	GR179R99	30					
	2.2	656	91	GRF169R99		5	295	128	GR179R99						
	2.5	579	91	GR169R99	7.5	4	364	128	GR179R109	22					
	2.9	503	91	GRF169R99		5	293	128	GR179R109						
	3.4	432	91	GR169R99	11	5.5	266	128	GR179R109	37					
	3.9	377	91	GRF169R99		6.5	229	128	GR179R109						
	4.4	335	91	GR169R99	11	7.4	200	128	GR179R109	45					
	4.8	303	91	GRF169R99		GRF179R109									
5.2	279	91	GR169R99	GRF179R109											

GR19-179
安装结构尺寸

GR19-179
Mounting Dimensional Description



机型号 Type Size	q_1 e	d s	n h_4	a_4 K0	b l	f l_1	h_1 l_2	p_3 M	h u	a_5 t	a h_2	G	电机尺寸 Motor Size		
													AC	AD	L1
GR19	163 135	$\Phi 20k6$ $\Phi 9$	58 12	31.5 140	110 40	131 4	0 32	135 M6	$75_{-0.5}$ 6	25 22.5	110 /	$\Phi 120$	见附录 A-2 和 A-3 Please see appendix A-2 and A-3		
GR29	193 145	$\Phi 25k6$ $\Phi 9$	75.5 18	39 151	130 50	152 5	3.4 40	147 M10	$90_{-0.5}$ 8	32 28	110 /	$\Phi 120$			
GR39	201 157	$\Phi 25k6$ $\Phi 9$	75 18	40 161	130 50	160 5	10.1 40	153 M10	$90_{-0.5}$ 8	42 28	110 /	$\Phi 120$			
GR49	235 170	$\Phi 30k6$ $\Phi 13.5$	90 24	50 178	165 60	195 3.5	14 50	187 M10	$115_{-0.5}$ 8	42 33	135 /	$\Phi 160$			
GR59	257 190	$\Phi 35k6$ $\Phi 13.5$	100 24	60 202	165 70	200 7	11.2 56	190 M12	$115_{-0.5}$ 10	55 38	135 /	$\Phi 160$			
GR69	280 210	$\Phi 35k6$ $\Phi 14$	100 30	60 215	195 70	235 7	20.7 56	216 M12	$130_{-0.5}$ 10	60 38	150 245.5	$\Phi 160$			
GR79	300 230	$\Phi 40k6$ $\Phi 17.5$	115 30	60 235	205 80	245 5	15.9 70	234 M16	$140_{-0.5}$ 12	60 43	170 270	$\Phi 200$			
GR89	372 290	$\Phi 50k6$ $\Phi 17.5$	140 45	90 297	260 100	310 10	12.6 80	295 M16	$180_{-0.5}$ 14	75 53.5	215 345	$\Phi 250$			
GR99	440 340	$\Phi 60m6$ $\Phi 22$	160 55	100 348	310 120	365 5	10.2 110	370 M20	$225_{-0.5}$ 18	90 64	250 418	$\Phi 300$			
GR109	495 400	$\Phi 70m6$ $\Phi 26$	185 65	125 409	370 140	440 7.5	20.4 125	410 M20	$250_{-0.5}$ 20	110 74.5	290 480	$\Phi 350$			
GR139	589 450	$\Phi 90m6$ $\Phi 33$	220 70	130 458	410 170	490 5	25.1 160	495 M24	315_{-1} 25	110 95	340 563	$\Phi 400$			
GR149	695 530	$\Phi 110m6$ $\Phi 39$	260 80	150 540	500 210	590 15	33.4 180	565 M24	355_{-1} 28	150 116	380 648	$\Phi 450$			
GR169	790 660	$\Phi 120m6$ $\Phi 39$	270 100	160 670	580 210	670 5	59.9 200	675 M24	425_{-1} 32	160 127	500 775	$\Phi 550$			
GR179	955 780	$\Phi 160m6$ $\Phi 45$	280 110	280 780	790 250	904 15	93 220	835 M30	525_{-1} 40	180 169	600 /	$\Phi 550$			

注： 1.减速机部分的外形尺寸，未包含通气帽的高度尺寸。通气帽的高度尺寸为 17。

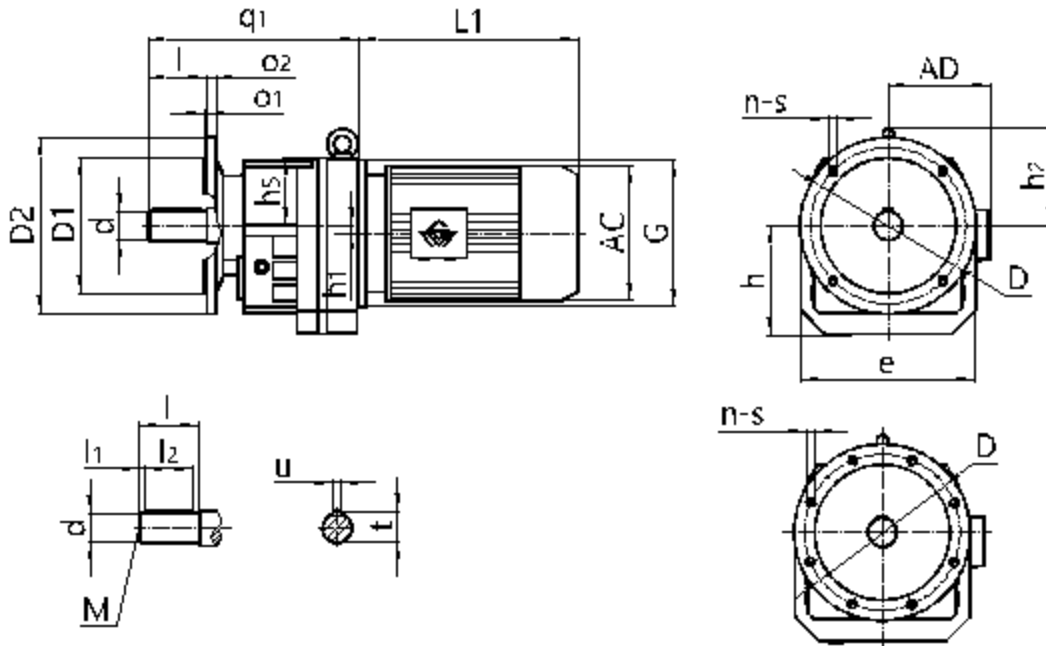
2.电机需方配或配特殊电机时需加联接法兰（见附录 D）

Note: 1.The dimensions don't include the height of the breathe valve.the height of the breathe valve is 17.

2.When equipping the user's motor or the special one, the flange is required to connected. (Please see appendix D)

GRF19-179
安装结构尺寸

GRF19-179
Mounting Dimensional Description



机型号 Type Size	d	D2	o ₂	o ₁	s	D1	D	n	q ₁ l	h ₅ l ₁	h ₁ l ₂	h M	e u	h ₂ t	G	电机尺寸 Motor Size		
																AC	AD	L1
GRF19	Φ20k6	Φ120	8	3	Φ6.5	Φ80j6	Φ100	4	175	60	0	77	130	/	Φ120	见附录 A-2 和 A-3 Please see appendix A-2 and A-3		
		Φ140	9	3	Φ8.5	Φ95j6	Φ115	4	40	4	32	M6	6	22.5				
GRF29	Φ25k6	Φ120	8	3	Φ6.5	Φ80j6	Φ100	4	204	59	3.4	92	142	/	Φ120			
		Φ140	8	3	Φ8.5	Φ95j6	Φ115	4	50	5	40	M10	8	28				
GRF39	Φ25k6	Φ120	8	3	Φ6.5	Φ80j6	Φ100	4	213	66.5	10.1	96	161	/	Φ120			
		Φ160	10	3.5	Φ9	Φ110j6	Φ130	4	50	5	40	M10	8	28				
GRF49	Φ30k6	Φ140	10	3	Φ9	Φ95j6	Φ115	4	240	72	14	118	180	/	Φ160			
		Φ160	10	3.5	Φ9	Φ110j6	Φ130	4	60	3.5	50	M10	8	33				
GRF59	Φ35k6	Φ160	10	3.5	Φ9	Φ110j6	Φ130	4	269	75	11.2	122	202	/	Φ160			
		Φ200	12	3.5	Φ11	Φ130j6	Φ165	4	70	7	56	M12	10	38				
GRF69	Φ35k6	Φ200	12	3.5	Φ11	Φ130j6	Φ165	4	294	86	20.7	134	215	116	Φ160			
		Φ250	15	4	Φ13.5	Φ180j6	Φ215	4	70	7	56	M12	10	38				
GRF79	Φ40k6	Φ250	15	4	Φ13.5	Φ180j6	Φ215	4	322	93	15.9	147	235	130	Φ200			
		Φ300	15	4	Φ13.5	Φ230j6	Φ265	4	80	5	70	M16	12	43				
GRF89	Φ50k6	Φ300	16	4	Φ13.5	Φ230j6	Φ265	4	395	115	12.6	184	297	165	Φ250			
		Φ350	18	5	Φ17.5	Φ250h6	Φ300	4	100	10	80	M16	14	53.5				
GRF99	Φ60m6	Φ350	18	5	Φ17.5	Φ250h6	Φ300	4	461	145	10.2	232	348	193	Φ300			
		Φ450	22	5	Φ17.5	Φ350h6	Φ400	8	120	5	110	M20	18	64				
GRF109	Φ70m6	Φ350	20	5	Φ17.5	Φ250h6	Φ300	4	510	161	20.4	258	409	230	Φ350			
		Φ450	22	5	Φ17.5	Φ350h6	Φ400	8	140	7.5	125	M20	20	74.5				
GRF139	Φ90m6	Φ450	22	5	Φ17.5	Φ350h6	Φ400	8	606	180	25.1	318	458	248	Φ400			
		Φ550	25	5	Φ17.5	Φ450h6	Φ500	8	170	5	160	M24	25	95				
GRF149	Φ110m6	Φ450	22	5	Φ17.5	Φ350h6	Φ400	8	711	210	33.4	363	540	293	Φ450			
		Φ550	25	5	Φ17.5	Φ450h6	Φ500	8	210	15	180	M24	28	116				
GRF169	Φ120m6	Φ550	25	5	Φ17.5	Φ450h6	Φ500	8	805	250	59.9	432	670	350	Φ550			
		Φ660	28	6	Φ22	Φ550h6	Φ600	8	210	5	200	M24	32	127				
GRF179	Φ160m6	Φ660	32	6	Φ22	Φ550h6	Φ600	8	980	355	93	533	780	/	Φ550			
		Φ880	36	6	Φ33	Φ680h6	Φ800	8	250	15	220	M30	40	169				

注： 1.减速机部分的外形尺寸，未包含通气帽的高度尺寸。通气帽的高度尺寸为 17。

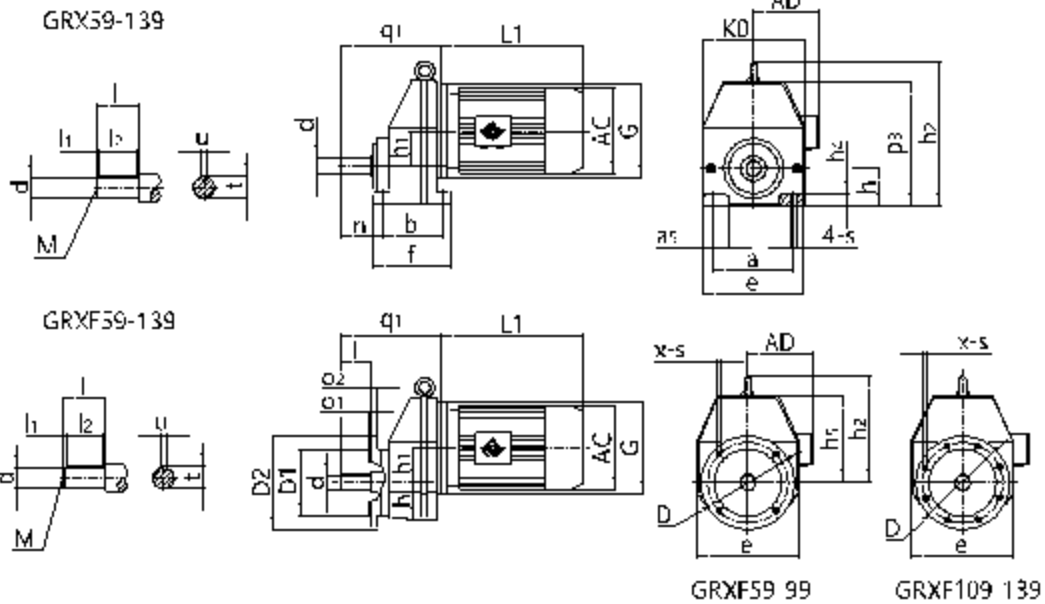
2.电机需方配或配特殊电机时需加联接法兰（见附录 D）

Note: 1.The dimensions don't include the height of the breathe valve.the height of the breathe valve is 17.

2.When equipping the user's motor or the special one, the flange is required to connected. (Please see appendix D)

GRX59-139/GRXF59-139
安装结构尺寸

GRX59-139/GRXF59-139
Mounting Dimensional Description



机型号 Type Size	q ₁ h	d p ₃	h ₁ h ₂	n K0	b l ₁	f l ₂	a ₅ l	a M	e u	s t	h ₄ G	电机尺寸 Motor Size		
												AC	AD	L1
GRX59	174 63 _{-0.5}	Φ20k6 206	52 /	56.5 162	110 3.5	137 32	31 40	125 M6	156 6	Φ11 22.5	18 Φ160	见附录 A-2 和 A-3 Please see appendix A-2 and A-3		
GRX69	201 80 _{-0.5}	Φ25k6 230	60 /	75 176	120 3.5	150 40	35 50	135 M10	170 8	Φ13.5 28	20 Φ160			
GRX79	227 90 _{-0.5}	Φ30k6 276	72 314	85 210	150 3.5	190 50	50 60	170 M10	204 8	Φ17.5 33	25 Φ200			
GRX89	269 100 _{-0.5}	Φ40k6 336	93.5 383	110 272	160 5	206 70	60 80	215 M16	266 12	Φ17.5 43	30 Φ250			
GRX99	316 112 _{-0.5}	Φ50k6 399	116 444	140 328	185 10	240 80	70 100	250 M16	320 14	Φ22 53.5	35 Φ300			
GRX109	364 140 _{-0.5}	Φ60m6 465	130 520	152 370	210 5	260 110	80 120	310 M20	360 18	Φ22 64	45 Φ350			
GRX139	398 160 _{-0.5}	Φ70m6 532	157 598	195 416	240 7.5	320 125	110 140	340 M20	450 20	Φ35 74.5	50 Φ400			

机型号 Type Size	d	D2	D1	o2	o1	D	x	s	h l2	h1 l	h5 M	h2 u	e t	l1 q1	G	电机尺寸 Motor Size		
																AC	AD	L1
GRXF59	Φ20k6	Φ140	Φ95j6	10	3	Φ115	4	Φ9	68	52	141	/	162	3.5	Φ160	见附录 A-2 和 A-3 Please see appendix A-2 and A-3		
			Φ110j6	10	3.5	Φ130	4	Φ9	32	40	M6	6	22.5	174				
			Φ130j6	12	3.5	Φ165	4	Φ11										
GRXF69	Φ25k6	Φ160	Φ110j6	10	3.5	Φ130	4	Φ9	75	60	150	/	180	3.5	Φ160			
			Φ130j6	12	3.5	Φ165	4	Φ11	40	50	M10	8	28	201				
			Φ180j6	15	4	Φ215	4	Φ13.5										
GRXF79	Φ30k6	Φ200	Φ130j6	12	3.5	Φ165	4	Φ11	82	72	185	224	210	3.5	Φ200			
			Φ180j6	15	4	Φ215	4	Φ13.5	50	60	M10	8	33	227				
GRXF89	Φ40k6	Φ250	Φ180j6	15	4	Φ215	4	Φ13.5	102	93.5	238	283	272	5	Φ250			
			Φ230j6	16	4	Φ265	4	Φ13.5	70	80	M16	12	43	269				
GRXF99	Φ50k6	Φ300	Φ230j6	16	4	Φ265	4	Φ13.5	124	116	287	332	328	10	Φ300			
			Φ250h6	18	5	Φ300	4	Φ17.5	80	100	M16	14	53.5	316				
GRXF109	Φ60m6	Φ350	Φ250h6	18	5	Φ300	4	Φ17.5	141	130	325	380	370	5	Φ350			
			Φ350h6	22	5	Φ400	8	Φ17.5	110	120	M20	18	64	364				
GRXF139	Φ70m6	Φ450	Φ250h6	18	5	Φ300	4	Φ17.5	176	157	372	437	416	7.5	Φ400			
			Φ350h6	22	5	Φ400	8	Φ17.5	125	140	M20	20	74.5	398				
		Φ550	Φ450h6	22	5	Φ500	8	Φ17.5										

注： 1.减速机部分的外形尺寸，未包含通气帽的高度尺寸。通气帽的高度尺寸为 17。

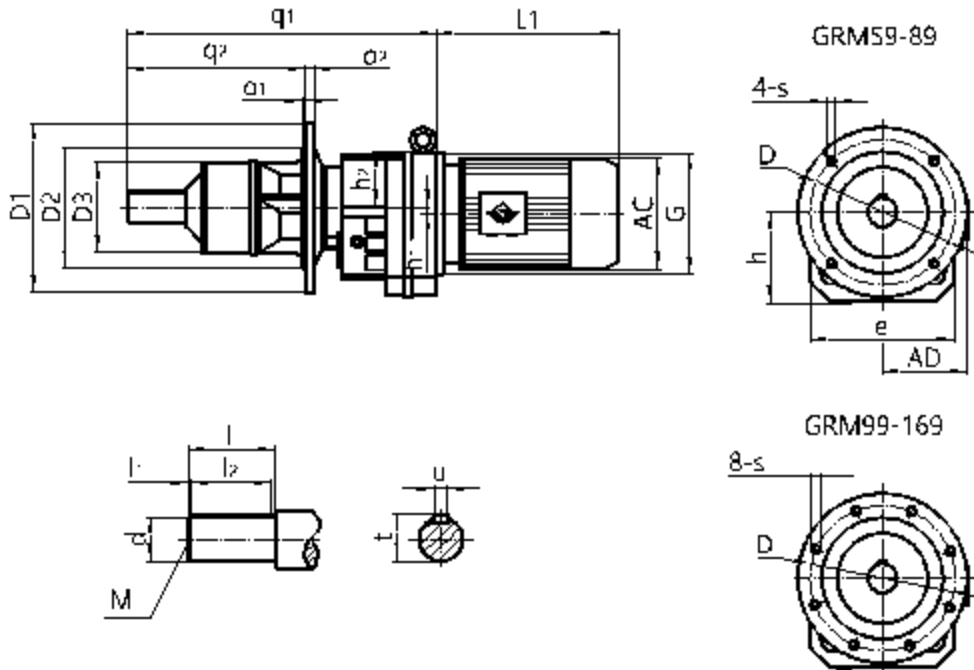
2.电机需方配或配特殊电机时需加联接法兰（见附录 D）

Note: 1.The dimensions don't include the height of the breathe valve.the height of the breathe valve is 17.

2.When equipping the user's motor or the special one, the flange is required to connected. (Please see appendix D)

GRM59-169
安装结构尺寸

GRM59-169
Mounting Dimensional Description



机型号 Type Size	q ₁ q ₂	a ₁ a ₂	h ₁ h ₂	h e	D D1	D2 d	D3 l	l ₁ l ₂	s M	u t	G	电机尺寸 Motor Size			
												AC	AD	L1	
GRM59	420	4	11.2	122	Φ215	Φ180j6	Φ142	7	Φ13.5	10	Φ160	见附录 A-2 和 A-3 Please see appendix A-2 and A-3			
	230	15	75	202	Φ250	Φ35k6	70	56	M12	38					
GRM69	459	4	20.7	134	Φ265	Φ230j6	Φ152	5	Φ13.5	12	Φ160				
	240	16	86	215	Φ300	Φ40k6	80	70	M16	43					
GRM79	527	5	15.9	147	Φ300	Φ250h6	Φ180	10	Φ17.5	14	Φ200				
	300	18	93	235	Φ350	Φ50k6	100	80	M16	53.5					
GRM89	639	5	12.6	184	Φ300	Φ250h6	Φ199	5	Φ17.5	18	Φ250				
	360	18	115	297	Φ350	Φ60m6	120	110	M20	64					
GRM99	745	5	10.2	232	Φ400	Φ350h6	Φ229	7.5	Φ17.5	20	Φ300				
	420	22	145	348	Φ450	Φ70m6	140	125	M20	74.5					
GRM109	864	5	20.4	258	Φ500	Φ450h6	Φ250	25	Φ17.5	22	Φ350				
	500	25	161	409	Φ550	Φ80m6	170	125	M20	85					
GRM139	1024	5	25.1	318	Φ500	Φ450h6	Φ275	15	Φ17.5	28	Φ400				
	600	25	180	458	Φ550	Φ100m6	210	180	M24	106					
GRM149	1154	6	33.4	363	Φ600	Φ550h6	Φ299	15	Φ22	28	Φ450				
	660	28	210	540	Φ660	Φ110m6	210	180	M24	116					
GRM169	1313	6	59.9	432	Φ600	Φ550h6	Φ321	5	Φ22	32	Φ550				
	730	28	250	670	Φ660	Φ125m6	210	200	M24	134					

注： 1.减速机部分的外形尺寸，未包含通气帽的高度尺寸。通气帽的高度尺寸为 17。

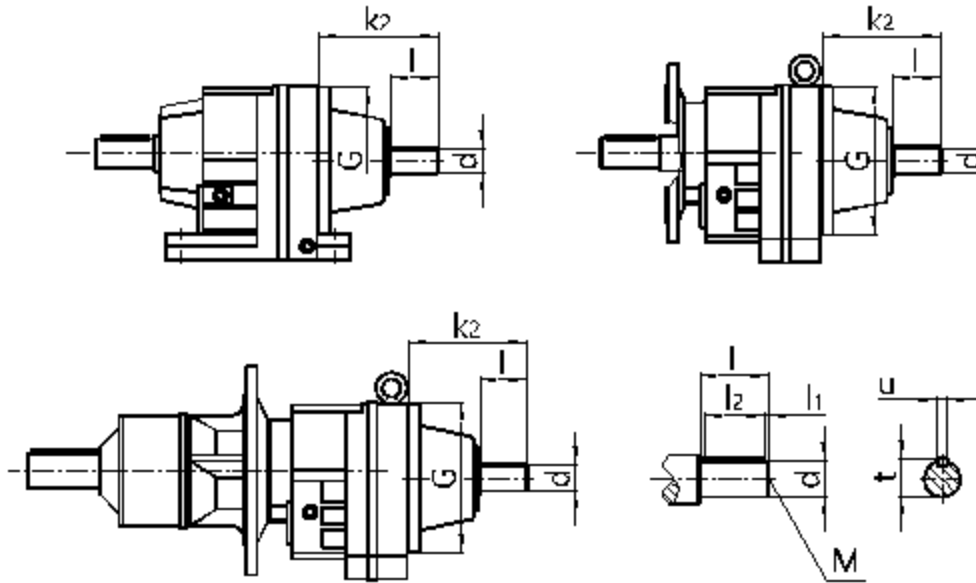
2.电机需方配或配特殊电机时需加联接法兰（见附录 D）

Note: 1.The dimensions don't include the height of the breathe valve.the height of the breathe valve is 17.

2.When equipping the user's motor or the special one, the flange is required to connected. (Please see appendix D)

GR..29-179AD1-8
安装结构尺寸

GR..29-179AD1-8
Mounting Dimensional Description



机型号 Type Size	规格 Specification	适用功率范围(kW)/4P Range Power	d	G	k ₂	l	M	l ₁	l ₂	t	u
GR..29/39	AD1	0.12-0.18	16k6	Φ120	130	40	M5	4	32	18	5
	AD2	0.25-3	19k6	Φ120	130	40	M6	4	32	21.5	6
GR..49/59/69	AD2	0.12-1.5	19k6	Φ160	149	40	M6	4	32	21.5	6
	AD3	2.2-7.5	24k6	Φ160	159	50	M8	5	40	27	8
GR..79	AD2	0.18-1.5	19k6	Φ200	184	40	M6	4	32	21.5	6
	AD3	2.2-4	24k6	Φ200	194	50	M8	5	40	27	8
	AD4	5.5-11	38k6	Φ200	224	80	M12	5	70	41	10
GR..89	AD2	0.55-1.5	19k6	Φ250	136	40	M6	4	32	21.5	6
	AD3	2.2-4	28k6	Φ250	156	60	M10	5	50	31	8
	AD4	5.5-7.5	38k6	Φ250	262	80	M12	5	70	41	10
	AD5	11-22	42k6	Φ250	292	110	M16	10	70	45	12
GR..99	AD3	0.55-4	28k6	Φ300	194	60	M10	5	50	31	8
	AD4	5.5-7.5	38k6	Φ300	214	80	M12	5	70	41	10
	AD5	11-22	42k6	Φ300	327	110	M16	10	70	45	12
	AD6	30	48k6	Φ300	327	110	M16	10	80	51.5	14
GR..109	AD3	2.2-4	28k6	Φ350	188	60	M10	5	50	31	8
	AD4	5.5-7.5	38k6	Φ350	208	80	M12	5	70	41	10
	AD5	11-22	42k6	Φ350	321	110	M16	10	70	45	12
	AD6	30-45	48k6	Φ350	321	110	M16	10	80	51.5	14
GR..139	AD4	5.5-7.5	38k6	Φ400	270	80	M12	5	70	41	10
	AD5	11-22	42k6	Φ400	300	110	M16	10	70	45	12
	AD6	30-45	48k6	Φ400	300	110	M16	10	80	51.5	14
	AD7	55	55m6	Φ400	300	110	M20	10	90	59	16
GR..149	AD4	7.5	38k6	Φ450	270	80	M12	5	70	41	10
	AD5	11-22	42k6	Φ450	300	110	M16	10	90	45	12
	AD6	30-45	48k6	Φ450	300	110	M16	10	90	51.5	14
	AD7	55	55m6	Φ450	300	110	M20	10	90	59	16
	AD8	75-90	70m6	Φ450	383	140	M20	15	110	74.5	20
GR..169/179	AD5	11-22	42k6	Φ550	344	110	M16	10	90	45	12
	AD6	30-45	48k6	Φ550	344	110	M16	10	90	51.5	14
	AD7	55-90	55m6	Φ550	344	110	M20	10	90	59	16
	AD8	110-160	70m6	Φ550	374	140	M20	15	110	74.5	20

其它尺寸请参照 GR 型。

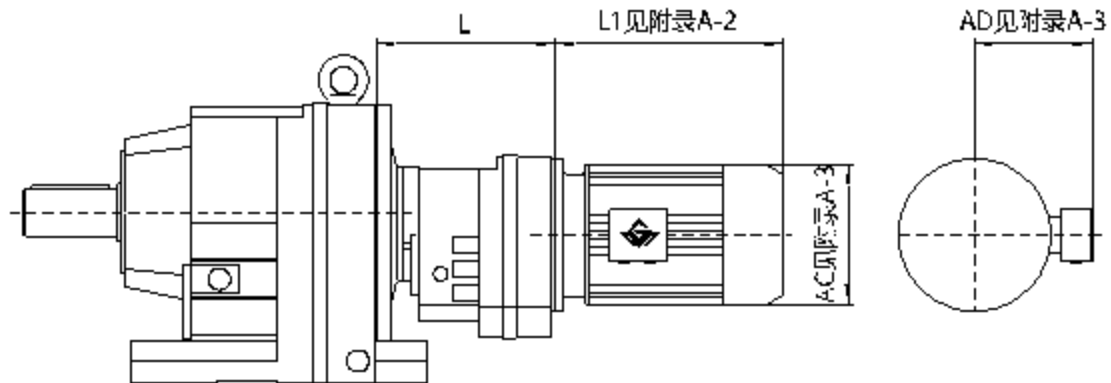
注： 1.GRF/GRX/GRXF/GRM 也可采用双轴型，并分别记为 GRF.AD...、GRX.AD...、GRXF.AD...和 GRM.AD...。

2.通过联轴器联接，可直接参考上表功率范围；若电机和减速机之间是通过其他极数电机、齿轮、链轮、皮带轮等传动方式联接，需客户自行转换。

For other dimensions, see the type GR.

Note: 1.Double shafts type is also available for type GRF/GRX/GRXF/GRM and these double shafts types are respectively named type GRF.AD...、GRX.AD...、GRXF.AD...and GRM.AD...。

2.Applicable power refers to the input torque of 4 pole motor. If the connect way is coupling, can see the power range on the table directly, if the connect way is other pole motor, sprocket, belt pulley, need customers to convert by themselves.

GR..R..
安装结构尺寸
GR..R..
Mounting Dimensional Description


机型号 Type Size	机座号 Frame Size	L
GR..29R19 GR..39R19	63	135
	71	
GR..49R39 GR..59R39 GR..69R39	63	163
	71	
	80	
GR..79R39	63	163
	71	
	80	
GR..89R59	63	216
	71	
	80	
	90	
GR..99R59	63	216
	71	
	80	
	100	
GR..109R79	63	251
	71	
	80	
	90	
	100	
GR..139R79	63	244
	71	
	80	
	90	
	100	
	112	
GR..169R99 GR..179R99	63	332
	71	
	80	
	90	
	100	
	112	
GR..169R109 GR..179R109	63	382
	71	
	80	
	90	
	100	
	112	

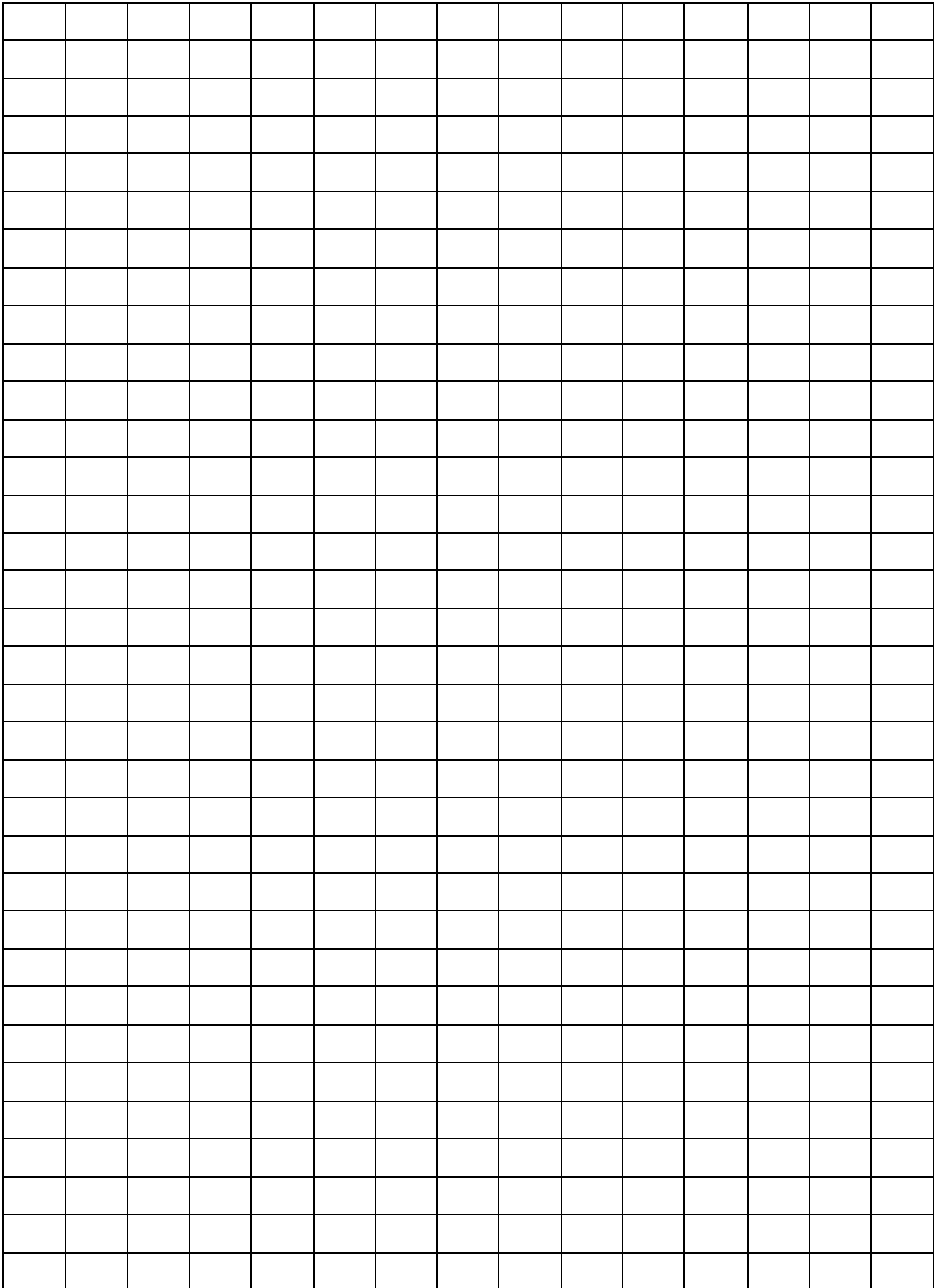
机型号 Type Size	机座号 Frame Size	L
GR..149R79	63	241
	71	
	80	
	90	
	100	
GR..149R89	112	280
	132	
	90	
	100	
	160	
GR..169R99 GR..179R99	80	332
	90	
	100	
	112	
	132	
	180	
GR..169R109 GR..179R109	100	382
	112	
	132	
	160	
	225	

注： 1.GRF 也可采用串联组合机型。

2.电机需方配或配特殊电机时需加联接法兰（见附录 D）

Note: 1.Combined type is also available for type GRF.

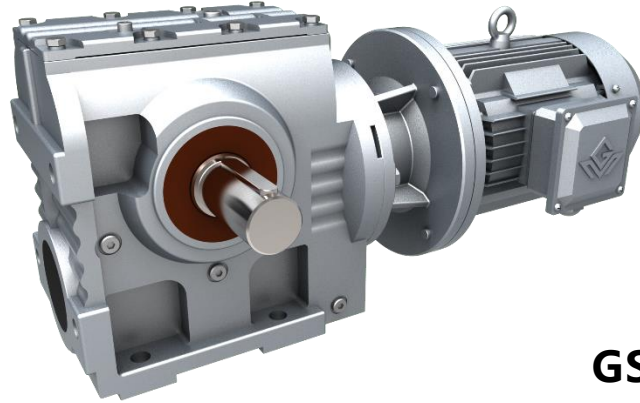
2.When equipping the user's motor or the special one, the flange is required to connected. (Please see appendix D)



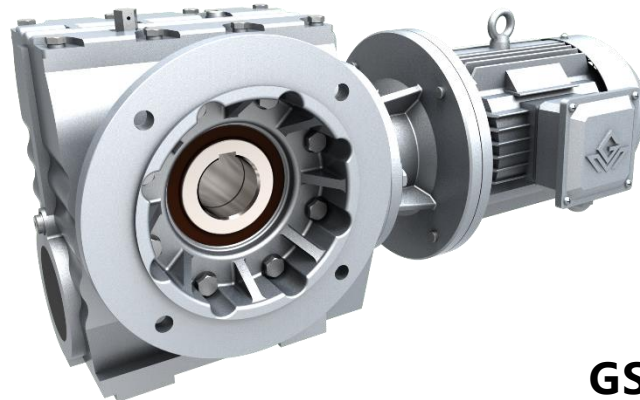
GS Series Helical-Worm Geared Motors

GS
系列

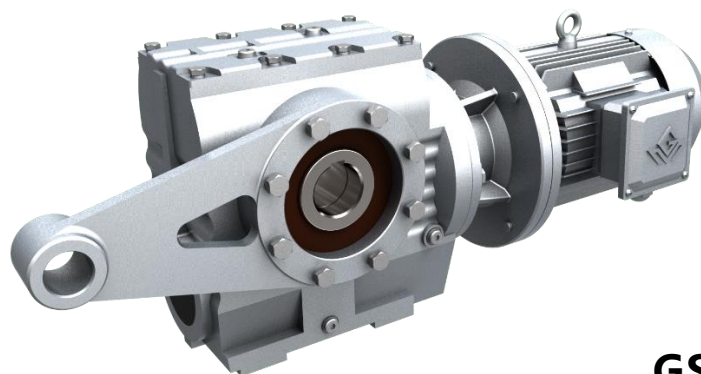
斜
齿
轮
—
蜗
轮
蜗
杆
减
速
电
机



GS..



GSAF..



GSA/T..

GS 系列 斜齿轮-蜗轮蜗杆减速电机

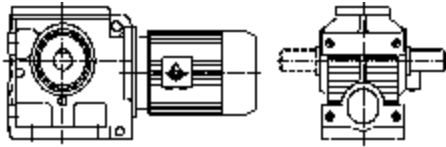
结构形式说明 Dimensional Description

GS 系列输出轴垂直于输入轴，由一级斜齿轮和一级蜗轮蜗杆构成。

Output shafts of GS series are vertical to input shafts. Units of GS series consist of single stage helical gears and single stage worn gears.

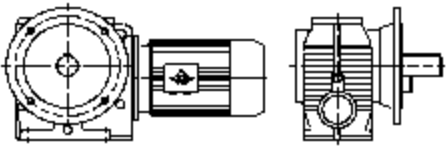
1.GS 型: 底脚安装, 输出轴为实心轴。

Type GS: Foot-mounted. Solid output shaft.



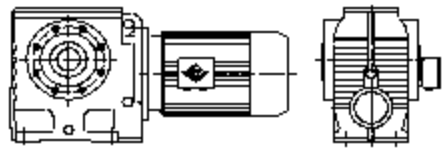
2.GSF 型: B5 法兰安装, 输出轴为实心轴。

Type GSF: B5 flange mounted. Solid output shaft.



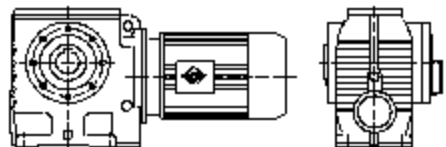
3.GSA 型: 轴装式, 输出轴为空心轴。

Type GSA: Shaft mounted. Hollow output shaft.



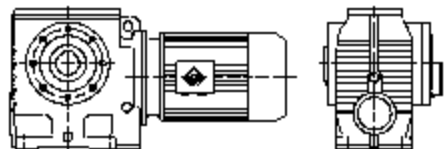
4.GSAF 型: B5 法兰安装, 输出轴为空心轴。

Type GSAF: B5 flange mounted. Hollow output shaft.



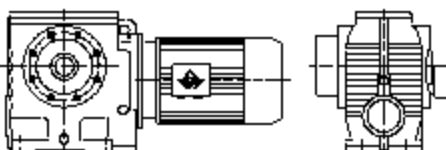
5.GSAZ 型: B14 法兰安装, 输出轴为空心轴。

Type GSAZ: B14 flange mounted. Hollow output shaft.



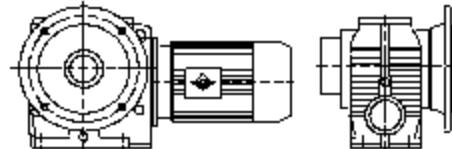
6.GSH 型: 轴装式, 输出轴为空心轴带锁紧盘。

Type GSH: Shaft mounted. Hollow output shaft with shrink disk.



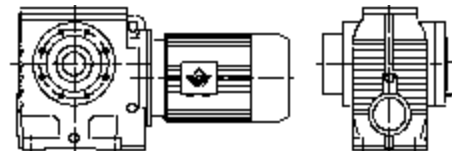
7.GSHF 型: B5 法兰安装, 输出轴为空心轴带锁紧盘。

Type GSHF: B5 flange mounted. Hollow output shaft with shrink disk.



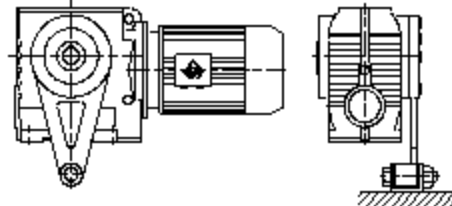
8.GSHZ 型: B14 法兰安装, 输出轴为空心轴带锁紧盘。

Type GSHZ: B14 flange mounted. Hollow output shaft with shrink disk.



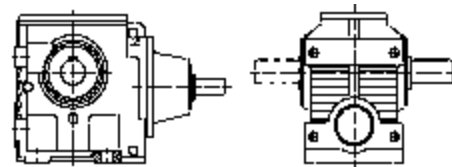
9.GSAT 型/GSHT 型: 防转臂安装。

Type GSAT/GSHT: Torque arm mounted.



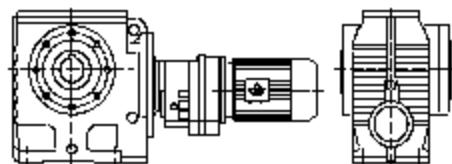
10.GS..AD 型: 输入轴型。

Type GS..AD: Input shaft types.

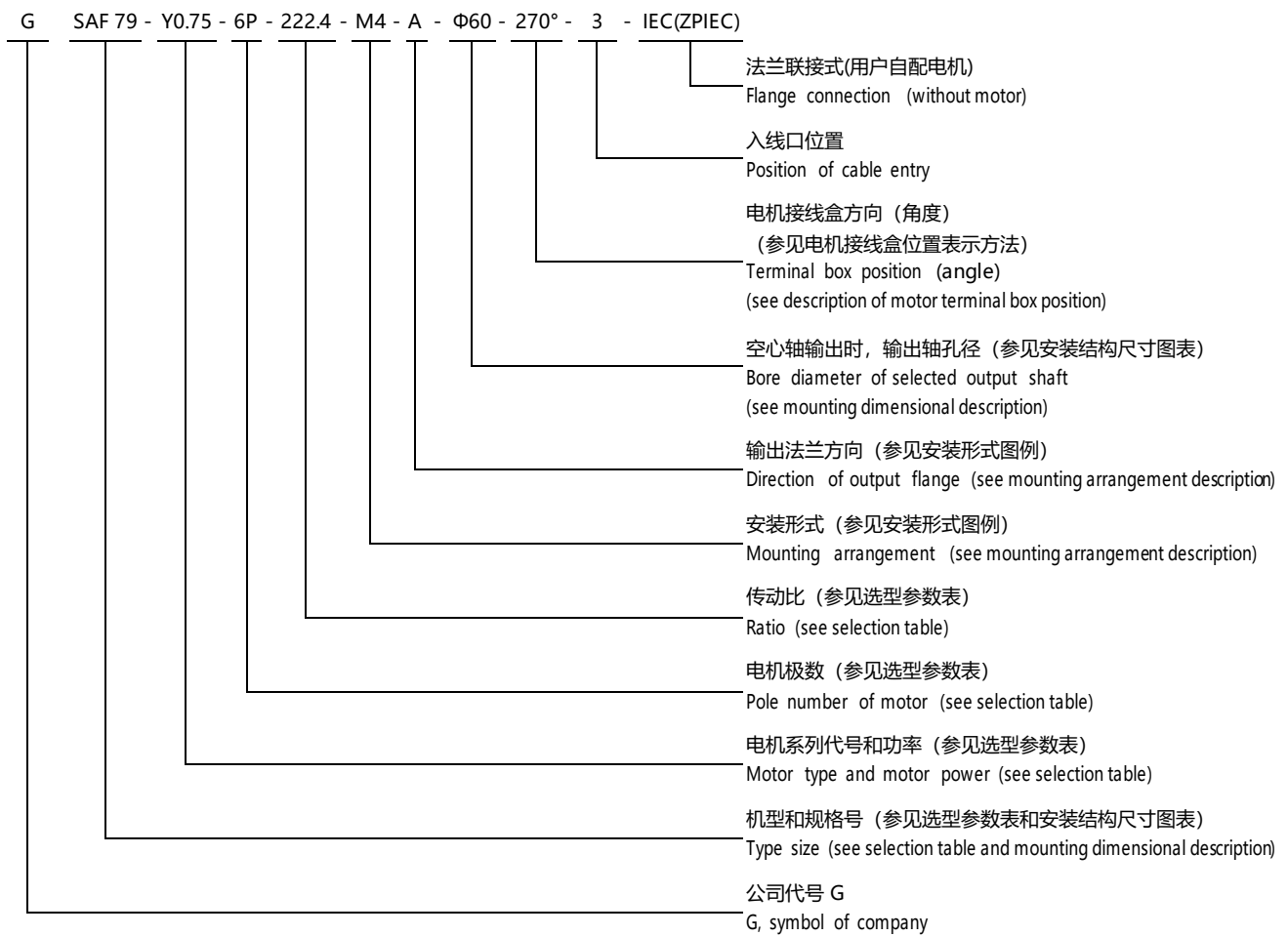


11.GS..R 型: GS 系列和 GR 系列的组合。

Type GS..R: Combined types of type GS and type GR.



GS 系列机型号表示方法 Type Expression of GS Series

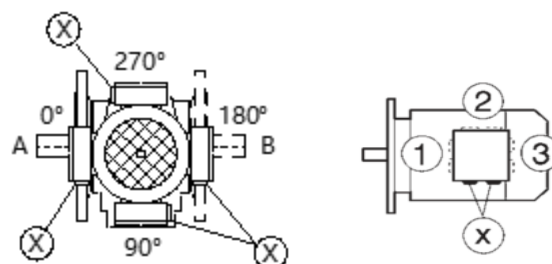


- 注: 1、需带联接法兰时请注明 IEC。
2、输入轴型没有电机各项内容。
3、不注明减速机的安装形式时, 则默认为安装形式中的 M1 位置。不注明接线盒方向时, 则默认为安装形式中的 0 度位置。不注明入线口位置时, 则默认为 X 位置。
4、对输出轴旋转方向和输入轴旋转方向有特别要求的用户, 请与技术部联系, 并在订货时用简图或文字说明。

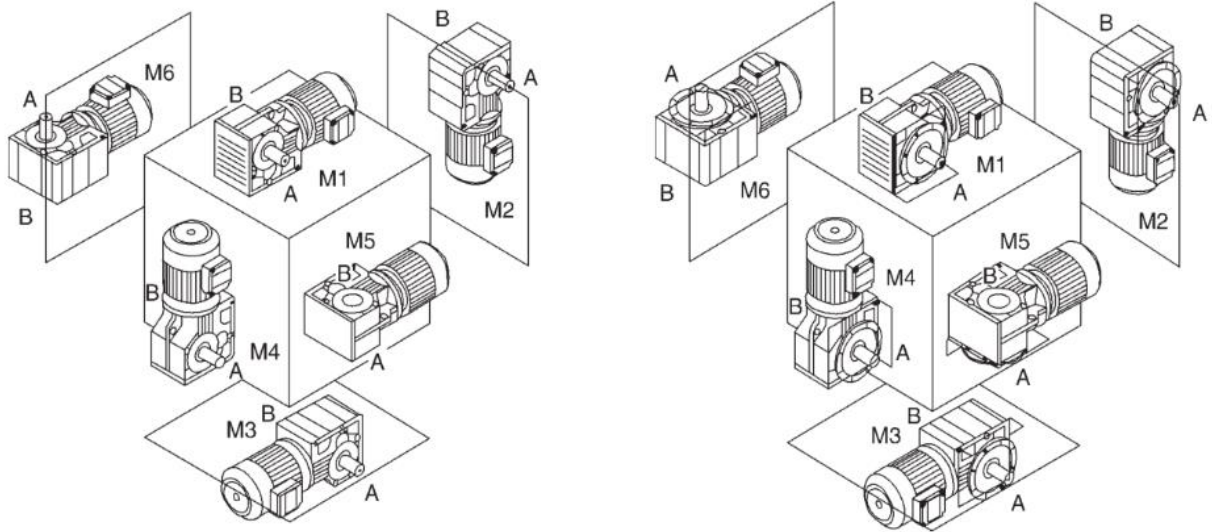
- Note: 1、Please make a note, if it needs connecting flange.
2、Contents of motors for input shaft types are not listed.
3、It is M1, When the mounting arrangement of the reducer is not mentioned. Degree=0°, if terminal box position is not mentioned. It is X, if cable entry position is not mentioned.
4、If specific rotation directions of output shaft or/and input shaft are specially requested, please contact our technology department, and make detailed description while placing order.

电机接线盒位置及入线口位置表示方法

Description of Motor Terminal Box Position and Cable Entry Position



安装形式图例 Mounting Arrangements Description



安装形式定义:

M1-电机水平放置; 减速机底脚朝下。

M2-电机居下。

M3-电机水平放置; 减速机底脚朝上。

M4-电机居上。

M5-电机水平放置; 当减速机在 M1 安装位置时, 从电机方向看, 减速机的左面旋转到下方位置。

M6-电机水平放置; 当减速机在 M1 安装位置时, 从电机方向看, 减速机的左面旋转到上方位置。

Mounting arrangements are defined as following:

M1-horizontally mounted motor,unit base is at bottom.

M2-motor is vertically mounted downwards.

M3-horizontally mounted motor,unit base is top.

M4-motor is vertically mounted upwards.

M5-horizontally mounted motor,if placed on M1 position,left side of unit turns to bottom(view point:towards from motor side).

M6-horizontally mounted motor,if placed on M1 position,left side of unit turns to top(view point:towards from motor side).

减速机重量 Gear Unit Weight

机型号 Type size	GS39	GS49	GS59	GS69	GS79	GS89	GS99	GS109
重量(kg) Weight	7	10	14	26	50	95	170	240

注:重量为平均值, 不包括电机、联接法兰, 仅供参考。

(Note: The weights mean values without the motor and IEC flange, only for reference.)

选型参数表注释 Description of Selection Table

恒功率 Constant power

n_a [r/min]	M_a [N.m]	i	F_{Ra} [kN]	f_B	机型号 Type size	极数 Pole
↓	↓	↓	↓	↓		
输出转速 Output speed	输出转矩 Output torque	减速比 Ratio	许用径向载荷 Permissible radial load	使用系数 Service factor		

恒转矩 Constant torque

M_{max} [N.m]	n_a [r/min]	i	F_{Ra} [kN]	机型号 Type size	P [kW]/4P
↓	↓	↓	↓		↓
最大输出转矩 Max.output torque	输出转速 Output speed	减速比 Ratio	许用径向载荷 Permissible radial load		电机功率 Motor power

选型参数表
(恒功率)
Selection Table
(Constant Power)

n_a [r/min]	M_a [N.m]	i	F_{Ra} [kN]	f_B	机型号 Type size	极数 Pole	n_a [r/min]	M_a [N.m]	i	F_{Ra} [kN]	f_B	机型号 Type size	极数 Pole		
0.12kW							0.12kW								
0.10	7447	12901	40	0.85	GS109R79	4P	8.3	67	157.43	2.9	1.10				
0.11	6757	11708	40	0.95	GSF109R79		9.1	61	144.40	2.9	1.15				
					GSA109R79		11	54	122.94	2.9	1.20				
					GSAF109R79		12	47	106.00	2.9	1.30				
0.12	4275	11267	27	0.90	GS99R59	4P	13	44	98.80	2.9	1.30	GS39	4P		
0.13	3906	10078	31	1.10	GSF99R59		15	40	86.36	2.9	1.40			GSF39	
0.15	3240	8608	32	1.25	GSA99R59		16	37	80.96	2.9	1.40			GSA39	
0.17	2862	7554	33	1.45	GSAF99R59		18	33	71.44	2.9	1.45			GSAF39	
0.20	2421	6706	26	1.05	GS89R59		21	30	63.33	2.9	1.55				
0.22	2160	5875	26	1.15	GSF89R59		23	32	55.93	2.9	1.50				
0.25	1791	5187	27	1.30	GSA89R59	26	30	51.30	2.9	1.55					
0.28	1593	4606	27	1.40	GSAF89R59	30	25	43.68	2.9	1.65					
0.34	1323	3872	28	1.55			35	23	37.66	2.9	1.75				
0.37	1233	3540	9.2	0.95			37	21	35.10	2.9	1.75				
0.42	1080	3098	12	1.10			43	18	30.68	2.9	1.85				
0.48	1139	2753	11	1.05			46	17	28.76	2.9	1.90	GS39	4P		
0.55	1197	2374	11	0.90	GS79R39	52	15	25.38	2.9	2.00					
0.63	1053	2083	12	1.10	GSF79R39	58	14	22.50	2.9	2.05					
0.72	891	1813	13	1.30	GSA79R39	68	13	19.13	2.9	2.20					
0.75	846	1745	14	1.35	GSAF79R39	69	12	18.85	2.9	2.10					
0.82	774	1600	14	1.40		79	12	16.48	2.8	2.20					
0.93	680	1404	14	1.50		85	10	15.45	2.7	2.30					
1.1	594	1245	15	1.60											
1.1	531	1194	7.8	0.85			0.18kW								
1.3	477	1045	8.3	1.00			0.16	7238	8360	40	0.90	GS109R79	4P		
1.4	414	914	8.8	1.10							GSF109R79				
1.6	378	809	9.1	1.25	GS69R39	4P					GSA109R79				
1.8	333	712	9.4	1.40	GSF69R39						GSAF109R79				
2.1	275	615	10	1.55	GSA69R39						GS89R59				
2.4	248	543	10	1.60	GSAF69R39		0.28	2709	4606	20	0.95	GSF89R59	4P		
2.8	203	469	10	1.75		0.34	2268	3872	26	1.15	GSA89R59				
3.1	185	424	10	1.80						GSAF89R59					
3.6	168	365	10	1.95			0.38	2187	3475	26	1.25	GS89R59	4P		
2.0	297	655	6.6	0.85			0.45	1827	2905	27	1.40				
2.3	257	574	6.9	0.95			0.51	1584	2586	27	1.55				
2.6	225	506	7.2	1.10	GS59R19	4P	0.56	1413	2335	27	1.60				
3.0	194	438	7.4	1.25	GSF59R19		0.64	1224	2054	28	1.70				
3.4	170	388	7.5	1.35	GSA59R19		0.72	1089	1824	28	1.80				
3.9	152	336	7.6	1.45	GSAF59R19		0.80	972	1631	28	1.85				
4.5	131	294	7.7	1.55								GS79R39	4P		
4.9	125	269	7.7	1.60				0.93	1125	1404	11	1.10		GSF79R39	
3.0	194	438	4.8	0.80			1.1	990	1245	13	1.20	GSA79R39			
3.4	170	388	4.9	0.85							GSAF79R39				
3.9	152	336	5.1	0.95	GS49R19	4P	1.8	540	712	7.7	0.95	GS69R39	4P		
4.5	129	294	5.2	1.10	GSF49R19		2.1	455	615	8.5	1.10				
5.1	88	257	5.4	1.40	GSA49R19		2.4	405	543	8.9	1.20				
5.7	106	229	5.3	1.30	GSAF49R19		2.8	342	469	9.3	1.40				
6.6	92	200	5.3	1.35			3.1	306	424	9.5	1.50				
7.0	86	187	5.4	1.40			3.6	275	365	10	1.60				
6.5	93	202	2.9	0.85			3.0	320	438	6.3	0.85	GS59R19	4P		
7.3	82	179	2.9	0.95	GS39R19	3.4	284	388	6.7	0.90					
8.3	74	158	2.9	1.05	GSF39R19	3.9	248	336	7.0	1.05					
9.1	68	144	2.9	1.05	GSA39R19	4.5	216	294	7.2	1.20					
11	55	118	2.9	1.15	GSAF39R19	4.9	203	269	7.3	1.30					
12	51	110	2.9	1.15		5.7	174	229	7.5	1.40					
6.5	86	201.00	5.4	1.55			6.4	157	204	7.6	1.50				
7.1	80	184.80	5.4	1.60	GS49	7.0	143	187	7.6	1.55					
8.3	69	158.12	5.5	1.65	GSF49	4.5	231	294	4.7	0.80	GS49R19	4P			
9.6	61	137.05	5.5	1.80	GSA49	5.1	173	257	5.1	1.10	GSF49R19				
10	58	128.10	5.5	1.80	GSAF49	5.7	204	229	4.9	0.95	GSA49R19				
12	51	110.73	5.5	1.90		6.6	179	200	5.1	1.05	GSAF49R19				

**选型参数表
(恒功率)**
**Selection Table
(Constant Power)**

n_a [r/min]	M_a [N.m]	i	F_{Ra} [kN]	f_B	机型号 Type size	极数 Pole	n_a [r/min]	M_a [N.m]	i	F_{Ra} [kN]	f_B	机型号 Type size	极数 Pole																																																																																																																																																																																																																																																																																																																																																																																																																																																																																																																																																																																																																																									
0.18kW							0.25kW																																																																																																																																																																																																																																																																																																																																																																																																																																																																																																																																																																																																																																															
7.0	168	187	5.1	1.10	GS49R19	4P	0.46	2637	2905	23	0.85	GS89R59 GSF89R59 GSA89R59 GSAF89R59	4P																																																																																																																																																																																																																																																																																																																																																																																																																																																																																																																																																																																																																																									
7.9	124	165	5.2	1.20	GSF49R19		8.9	112	148	5.3	1.25			GSA49R19	10	99	131	5.3	1.35	GSAF49R19	3.9	227	217.41	10	1.80	GS69	6P	0.51	2304	2586	26	1.00			4.5	202	190.11	10	1.90	GSF69	4.7	194	180.60	10	1.95	GSA69 GSAF69	4.2	198	201.00	7.3	1.35	GS59	6P	0.65	1800	2054	27	1.30			4.6	185	184.80	7.4	1.40	GSF59	5.4	162	158.12	7.5	1.50	GSA59	6.2	143	137.05	7.6	1.55	GSAF59	6.5	139	201.00	7.6	1.65	GS59	4P	0.73	1593	1824	27	1.45			7.1	129	184.80	7.6	1.70	GSF59	8.3	113	158.12	7.7	1.80	GSA59	9.6	99	137.05	7.8	1.90	GSAF59	4.2	194	201.00	4.8	0.85	GS49	6P	0.82	1431	1631	28	1.60			4.6	179	184.80	4.9	0.90	GSF49	5.4	156	158.12	5.1	1.00	GSA49	6.2	138	137.05	5.1	1.10	GSAF49	6.6	130	128.10	5.2	1.20		4P	1.4	837	930	28	2.05			7.1	124	184.80	5.2	1.30		8.3	109	158.12	5.3	1.35		9.6	96	137.05	5.3	1.45	GS49	10	90	128.10	5.4	1.50	GSF49	4P	1.4	1134	954	11	1.00			12	79	110.73	5.4	1.55	GSA49	14	69	94.08	5.5	1.65	GSAF49	16	62	84.00	5.5	1.75		18	54	71.75	5.5	1.85		8P	1.6	999	837	13	1.15			19	62	69.39	5.5	1.70		2.9	392	217.41	8.9	1.20	GS69	6P	1.9	837	714	14	1.35			3.4	351	190.11	9.2	1.35	GSF69	3.5	333	180.60	9.3	1.45	GSA69	4.0	297	158.45	9.5	1.55	GSAF69	3.9	315	217.41	9.4	1.50	GS69	4P	2.1	738	637	14	1.55			4.5	279	190.11	10	1.60	GSF69	4.7	266	180.60	10	1.65	GSA69	5.4	239	158.45	10	1.75	GSAF69	6.1	221	217.41	10	1.85		4P	2.3	671	574	14	1.60			7.0	198	190.11	10	1.95	GS69	7.4	189	180.60	10	2.00	GSF69	8.4	168	158.45	10	2.10	GSA69	10	145	134.40	10	2.20	GSAF69	6P	2.7	576	499	15	1.70			11	132	121.33	10	2.30		12	118	106.75	10	2.40		4.2	275	201.00	6.7	0.95	GS59	4P	2.4	585	543	7.0	0.90			4.6	257	184.80	6.9	1.00	GSF59	5.4	221	158.12	7.1	1.20	GSA59	6.2	198	137.05	7.3	1.35	GSAF59	6.6	185	128.10	7.4	1.35		6P	2.8	495	469	8.1	1.00			6.6	194	201.00	7.3	1.40		7.2	180	184.80	7.4	1.45		8.4	158	158.12	7.5	1.55	GS59	9.7	140	137.05	7.6	1.60	GSF59	4P	3.1	446	424	8.5	1.10			10	131	128.10	7.6	1.65	GSA59	12	116	110.73	7.7	1.75	GSAF59	14	100	94.08	7.8	1.85		16	91	84.00	7.8	1.95		4P	3.6	396	365	8.9	1.30			6.6	194	201.00	4.9	0.80		7.2	178	184.80	4.9	0.85		8.4	157	158.12	5.1	1.00	GS49	9.7	136	137.05	5.2	1.10	GSF49	4P	4.2	342	319	9.3	1.40			10	129	128.10	5.2	1.20	GSA49	12	113	110.73	5.3	1.35	GSAF49	14	98	94.08	5.3	1.40		16	89	84.00	5.4	1.45		4P	4.7	302	281	9.5	1.50			0.20	7766	6557	40	0.85	GS109R79	0.23	6832	5769	40	0.95	GSF109R79						GSA109R79						GSAF109R79																																																																																				
8.9	112	148	5.3	1.25	GSA49R19		10	99	131	5.3	1.35			GSAF49R19	3.9	227	217.41	10	1.80	GS69	6P	0.51	2304	2586	26	1.00				4.5	202	190.11			10	1.90	GSF69	4.7	194	180.60	10	1.95	GSA69 GSAF69	4.2	198	201.00	7.3	1.35	GS59	6P	0.65	1800		2054	27	1.30					4.6	185	184.80	7.4	1.40	GSF59	5.4	162	158.12	7.5	1.50	GSA59	6.2	143	137.05	7.6	1.55	GSAF59	6.5	139	201.00	7.6	1.65	GS59		4P	0.73	1593	1824	27			1.45			7.1	129	184.80	7.6	1.70	GSF59	8.3	113	158.12	7.7	1.80	GSA59	9.6	99	137.05	7.8	1.90	GSAF59	4.2	194	201.00		4.8	0.85	GS49	6P	0.82			1431	1631	28	1.60			4.6	179	184.80	4.9	0.90	GSF49	5.4	156	158.12	5.1	1.00	GSA49	6.2	138	137.05	5.1	1.10	GSAF49		6.6	130	128.10	5.2	1.20				4P	1.4	837	930	28	2.05			7.1	124	184.80	5.2	1.30		8.3	109	158.12	5.3	1.35		9.6	96	137.05		5.3	1.45	GS49	10	90			128.10	5.4	1.50	GSF49	4P	1.4	1134	954	11	1.00			12	79	110.73	5.4	1.55	GSA49	14	69	94.08	5.5	1.65	GSAF49		16	62	84.00	5.5	1.75				18	54	71.75	5.5	1.85		8P	1.6	999	837	13		1.15			19	62			69.39	5.5	1.70		2.9	392	217.41	8.9	1.20	GS69	6P	1.9	837	714	14	1.35			3.4	351	190.11	9.2	1.35	GSF69		3.5	333	180.60	9.3	1.45			GSA69	4.0	297	158.45	9.5	1.55	GSAF69	3.9	315	217.41	9.4	1.50	GS69	4P	2.1	738	637	14	1.55			4.5	279	190.11		10	1.60	GSF69	4.7	266			180.60	10	1.65	GSA69	5.4	239	158.45	10	1.75	GSAF69	6.1	221	217.41	10	1.85		4P	2.3	671	574	14	1.60				7.0	198	190.11	10	1.95			GS69	7.4	189	180.60	10	2.00	GSF69	8.4	168	158.45	10	2.10	GSA69	10	145	134.40	10	2.20		GSAF69	6P	2.7	576	499			15	1.70			11	132	121.33	10	2.30		12	118	106.75	10	2.40		4.2	275	201.00	6.7	0.95	GS59	4P	2.4		585	543	7.0	0.90					4.6	257	184.80	6.9	1.00	GSF59	5.4	221	158.12	7.1	1.20	GSA59	6.2	198	137.05	7.3	1.35	GSAF59	6.6	185	128.10	7.4	1.35			6P	2.8	495	469			8.1	1.00			6.6	194	201.00	7.3	1.40		7.2	180	184.80	7.4	1.45		8.4	158	158.12	7.5	1.55	GS59	9.7	140		137.05	7.6	1.60	GSF59	4P			3.1	446	424	8.5	1.10			10	131	128.10	7.6	1.65	GSA59	12	116	110.73	7.7	1.75	GSAF59	14	100	94.08	7.8	1.85			16	91	84.00	7.8			1.95		4P	3.6	396	365	8.9	1.30			6.6	194	201.00	4.9	0.80		7.2	178	184.80	4.9	0.85		8.4	157		158.12	5.1	1.00	GS49	9.7			136	137.05	5.2	1.10	GSF49	4P	4.2	342	319	9.3	1.40			10	129	128.10	5.2	1.20	GSA49	12	113	110.73	5.3	1.35	GSAF49	14	98	94.08	5.3	1.40		16	89	84.00	5.4	1.45		4P	4.7	302	281	9.5	1.50			0.20	7766	6557	40	0.85	GS109R79	0.23	6832	5769	40	0.95	GSF109R79						GSA109R79						GSAF109R79																																							
10	99	131	5.3	1.35	GSAF49R19		3.9	227	217.41	10	1.80			GS69	6P	0.51	2304	2586	26	1.00				4.5	202	190.11				10	1.90	GSF69			4.7	194	180.60	10	1.95	GSA69 GSAF69	4.2	198	201.00	7.3	1.35	GS59	6P	0.65	1800		2054	27		1.30							4.6	185	184.80	7.4	1.40	GSF59	5.4	162	158.12	7.5	1.50	GSA59	6.2	143	137.05	7.6	1.55	GSAF59	6.5	139	201.00	7.6	1.65	GS59			4P	0.73	1593	1824			27			1.45			7.1	129	184.80	7.6	1.70	GSF59	8.3	113	158.12	7.7	1.80	GSA59	9.6	99	137.05	7.8	1.90	GSAF59		4.2	194	201.00		4.8			0.85	GS49	6P	0.82			1431	1631	28	1.60			4.6	179	184.80	4.9	0.90	GSF49	5.4	156	158.12	5.1	1.00	GSA49		6.2	138	137.05	5.1	1.10			GSAF49		6.6	130	128.10	5.2	1.20				4P	1.4	837	930	28	2.05			7.1	124	184.80	5.2	1.30			8.3	109	158.12	5.3	1.35				9.6	96	137.05		5.3	1.45	GS49	10	90			128.10	5.4	1.50	GSF49	4P	1.4	1134	954	11	1.00				12	79	110.73	5.4	1.55			GSA49	14	69	94.08	5.5	1.65	GSAF49		16	62	84.00	5.5		1.75				18			54	71.75	5.5	1.85		8P	1.6	999	837	13		1.15			19	62			69.39	5.5	1.70		2.9	392		217.41	8.9	1.20	GS69	6P			1.9	837	714	14	1.35			3.4	351	190.11	9.2	1.35	GSF69		3.5	333	180.60	9.3	1.45			GSA69	4.0	297		158.45	9.5	1.55	GSAF69	3.9			315	217.41	9.4	1.50	GS69	4P	2.1	738	637	14	1.55			4.5	279	190.11		10	1.60	GSF69	4.7	266				180.60	10	1.65	GSA69	5.4			239	158.45	10	1.75	GSAF69	6.1	221	217.41	10	1.85		4P	2.3	671	574	14	1.60					7.0	198	190.11			10	1.95			GS69	7.4	189	180.60	10	2.00	GSF69	8.4	168	158.45	10	2.10	GSA69	10	145	134.40	10	2.20		GSAF69		6P	2.7	576	499					15	1.70			11	132	121.33	10	2.30		12	118	106.75	10	2.40		4.2	275	201.00	6.7	0.95	GS59	4P		2.4		585	543	7.0			0.90					4.6	257	184.80	6.9	1.00	GSF59	5.4	221	158.12	7.1	1.20	GSA59	6.2	198	137.05	7.3	1.35	GSAF59	6.6		185	128.10	7.4	1.35					6P	2.8	495	469			8.1	1.00			6.6	194	201.00	7.3	1.40		7.2	180	184.80	7.4	1.45		8.4		158	158.12	7.5	1.55	GS59			9.7	140		137.05	7.6	1.60	GSF59	4P			3.1	446	424	8.5	1.10			10	131	128.10	7.6	1.65	GSA59	12		116	110.73	7.7	1.75	GSAF59			14	100	94.08	7.8	1.85			16	91	84.00	7.8			1.95		4P	3.6	396	365	8.9	1.30			6.6	194	201.00	4.9	0.80		7.2	178	184.80	4.9	0.85		8.4	157		158.12	5.1	1.00	GS49	9.7			136	137.05	5.2	1.10	GSF49	4P	4.2	342	319	9.3	1.40			10	129	128.10	5.2	1.20	GSA49	12	113	110.73	5.3	1.35	GSAF49	14	98	94.08	5.3	1.40		16	89	84.00	5.4	1.45		4P	4.7	302	281	9.5	1.50			0.20	7766	6557	40	0.85	GS109R79	0.23	6832	5769	40	0.95	GSF109R79						GSA109R79
3.9	227	217.41	10	1.80	GS69	6P	0.51	2304	2586	26	1.00																																																																																																																																																																																																																																																																																																																																																																																																																																																																																																																																																																																																																																											
4.5	202	190.11	10	1.90	GSF69		4.7	194	180.60	10	1.95			GSA69 GSAF69		4.2	198	201.00	7.3	1.35	GS59			6P	0.65	1800	2054	27	1.30			4.6	185	184.80	7.4	1.40	GSF59	5.4	162	158.12	7.5	1.50	GSA59	6.2	143	137.05		7.6	1.55		GSAF59	6.5	139	201.00					7.6	1.65	GS59	4P	0.73	1593	1824	27	1.45			7.1	129	184.80	7.6	1.70	GSF59	8.3	113	158.12	7.7	1.80	GSA59	9.6	99	137.05	7.8			1.90	GSAF59	4.2	194	201.00	4.8			0.85			GS49	6P	0.82	1431	1631	28	1.60			4.6	179	184.80	4.9	0.90	GSF49	5.4	156	158.12	5.1	1.00	GSA49	6.2		138	137.05	5.1	1.10	GSAF49		6.6			130	128.10	5.2	1.20				4P	1.4	837	930	28	2.05			7.1	124	184.80	5.2	1.30		8.3	109	158.12	5.3	1.35			9.6	96	137.05	5.3	1.45			GS49		10	90	128.10	5.4	1.50			GSF49	4P	1.4	1134	954	11	1.00			12	79	110.73	5.4	1.55	GSA49	14	69	94.08		5.5	1.65	GSAF49	16	62			84.00	5.5	1.75			18	54	71.75	5.5	1.85				8P	1.6	999	837	13	1.15			19	62	69.39	5.5	1.70			2.9	392	217.41	8.9	1.20	GS69			6P	1.9	837	714	14	1.35			3.4		351	190.11	9.2	1.35		GSF69			3.5	333			180.60	9.3	1.45	GSA69	4.0	297	158.45	9.5	1.55	GSAF69	3.9		315	217.41	9.4	1.50	GS69	4P	2.1			738	637	14	1.55				4.5	279	190.11	10	1.60			GSF69	4.7	266	180.60	10	1.65	GSA69	5.4	239	158.45	10	1.75	GSAF69	6.1	221	217.41		10	1.85		4P	2.3			671	574	14		1.60			7.0	198			190.11	10	1.95	GS69	7.4	189	180.60	10	2.00	GSF69	8.4	168	158.45	10	2.10	GSA69	10	145	134.40		10	2.20	GSAF69	6P	2.7		576			499	15	1.70			11	132			121.33	10	2.30		12	118	106.75	10	2.40		4.2	275	201.00	6.7	0.95	GS59	4P	2.4		585	543		7.0	0.90				4.6		257	184.80			6.9	1.00	GSF59	5.4	221	158.12	7.1	1.20	GSA59	6.2	198	137.05	7.3	1.35	GSAF59	6.6	185	128.10		7.4	1.35			6P	2.8	495	469	8.1					1.00			6.6	194	201.00	7.3	1.40		7.2	180	184.80	7.4	1.45		8.4	158	158.12	7.5	1.55	GS59	9.7	140	137.05		7.6	1.60	GSF59		4P	3.1	446			424	8.5			1.10			10	131	128.10	7.6	1.65	GSA59	12	116	110.73	7.7	1.75	GSAF59	14	100	94.08	7.8	1.85		16	91		84.00	7.8	1.95					4P	3.6	396	365	8.9			1.30			6.6	194	201.00	4.9	0.80		7.2	178	184.80	4.9	0.85		8.4	157	158.12	5.1	1.00		GS49	9.7	136	137.05	5.2			1.10	GSF49		4P	4.2	342	319	9.3			1.40			10	129	128.10	5.2	1.20	GSA49	12	113	110.73	5.3	1.35		GSAF49	14	98	94.08	5.3			1.40		16	89	84.00		5.4	1.45		4P	4.7			302	281	9.5	1.50			0.20	7766	6557	40	0.85	GS109R79	0.23	6832	5769	40	0.95	GSF109R79						GSA109R79									GSAF109R79																	
4.7	194	180.60	10	1.95	GSA69 GSAF69		4.2	198	201.00	7.3	1.35			GS59	6P	0.65	1800	2054	27	1.30			4.6		185	184.80	7.4	1.40	GSF59			5.4	162	158.12	7.5	1.50	GSA59	6.2	143	137.05	7.6	1.55	GSAF59	6.5	139	201.00		7.6	1.65	GS59	4P	0.73	1593	1824			27	1.45			7.1		129	184.80	7.6	1.70	GSF59			8.3	113	158.12	7.7	1.80	GSA59	9.6	99	137.05	7.8	1.90	GSAF59	4.2	194	201.00	4.8	0.85		GS49	6P	0.82	1431	1631	28	1.60					4.6		179	184.80	4.9	0.90	GSF49			5.4	156	158.12	5.1	1.00	GSA49	6.2	138	137.05	5.1	1.10	GSAF49	6.6	130	128.10	5.2	1.20		4P		1.4	837	930	28	2.05					7.1		124	184.80	5.2	1.30				8.3	109	158.12	5.3	1.35		9.6	96	137.05	5.3	1.45	GS49	10	90	128.10	5.4	1.50	GSF49	4P	1.4	1134		954	11	1.00					12		79	110.73	5.4	1.55	GSA49			14	69	94.08	5.5	1.65	GSAF49	16	62	84.00	5.5	1.75		18	54	71.75	5.5	1.85		8P	1.6	999		837	13	1.15					19		62	69.39	5.5	1.70				2.9	392	217.41	8.9	1.20	GS69	6P	1.9	837	714	14	1.35			3.4		351	190.11	9.2	1.35	GSF69			3.5		333	180.60	9.3	1.45	GSA69	4.0			297	158.45	9.5	1.55	GSAF69	3.9	315	217.41	9.4	1.50	GS69	4P	2.1	738	637		14	1.55			4.5		279			190.11	10	1.60	GSF69			4.7	266	180.60	10	1.65	GSA69	5.4	239	158.45	10	1.75	GSAF69	6.1	221	217.41	10	1.85		4P	2.3	671	574	14	1.60				7.0		198			190.11	10	1.95	GS69	7.4			189	180.60	10	2.00	GSF69	8.4	168	158.45	10	2.10	GSA69	10	145	134.40	10	2.20	GSAF69	6P	2.7	576	499	15	1.70				11		132		121.33		10	2.30		12			118	106.75	10	2.40		4.2	275	201.00	6.7	0.95	GS59	4P	2.4	585	543	7.0	0.90			4.6		257	184.80	6.9	1.00		GSF59	5.4		221		158.12	7.1	1.20	GSA59			6.2	198	137.05	7.3	1.35	GSAF59	6.6	185	128.10	7.4	1.35		6P	2.8	495	469	8.1	1.00				6.6	194		201.00	7.3	1.40			7.2	180		184.80			7.4	1.45		8.4	158	158.12	7.5	1.55	GS59	9.7	140	137.05	7.6	1.60	GSF59	4P	3.1	446	424	8.5	1.10			10	131			128.10	7.6	1.65	GSA59	12	116			110.73			7.7	1.75	GSAF59	14	100	94.08	7.8	1.85		16	91	84.00	7.8	1.95		4P	3.6	396	365	8.9	1.30			6.6	194		201.00	4.9		0.80		7.2	178			184.80			4.9	0.85		8.4	157	158.12	5.1	1.00	GS49	9.7	136	137.05	5.2	1.10	GSF49	4P	4.2	342	319	9.3	1.40			10	129	128.10	5.2			1.20	GSA49	12	113			110.73			5.3	1.35	GSAF49	14	98	94.08	5.3	1.40		16	89	84.00	5.4	1.45		4P	4.7	302	281	9.5	1.50			0.20		7766	6557	40		0.85			GS109R79	0.23	6832	5769			40	0.95	GSF109R79						GSA109R79						GSAF109R79																													
4.2	198	201.00	7.3	1.35	GS59	6P	0.65	1800	2054	27	1.30																																																																																																																																																																																																																																																																																																																																																																																																																																																																																																																																																																																																																																											
4.6	185	184.80	7.4	1.40	GSF59		5.4	162	158.12	7.5	1.50			GSA59		6.2	143	137.05	7.6	1.55			GSAF59		6.5	139	201.00	7.6	1.65			GS59	4P	0.73	1593	1824	27	1.45			7.1	129	184.80	7.6	1.70	GSF59	8.3	113	158.12	7.7		1.80	GSA59	9.6	99	137.05	7.8	1.90			GSAF59		4.2	194	201.00	4.8	0.85			GS49	6P	0.82	1431	1631	28	1.60			4.6	179	184.80	4.9	0.90	GSF49	5.4	156	158.12	5.1		1.00	GSA49	6.2	138	137.05			5.1	1.10	GSAF49		6.6	130	128.10	5.2	1.20				4P	1.4	837	930	28	2.05			7.1	124	184.80	5.2	1.30		8.3	109	158.12		5.3	1.35		9.6	96	137.05			5.3	1.45	GS49		10	90	128.10	5.4	1.50			GSF49	4P	1.4	1134	954	11	1.00			12	79	110.73	5.4	1.55	GSA49	14	69	94.08		5.5	1.65	GSAF49	16	62	84.00			5.5	1.75			18	54	71.75	5.5	1.85				8P	1.6	999	837	13	1.15			19	62	69.39	5.5	1.70		2.9	392	217.41		8.9	1.20	GS69	6P	1.9	837			714	14	1.35				3.4	351	190.11			9.2	1.35	GSF69	3.5	333	180.60		9.3	1.45	GSA69	4.0	297			158.45		9.5	1.55	GSAF69	3.9	315			217.41	9.4	1.50	GS69	4P	2.1	738	637	14	1.55			4.5	279	190.11	10	1.60	GSF69	4.7	266	180.60		10	1.65	GSA69	5.4	239	158.45			10		1.75	GSAF69	6.1	221	217.41	10	1.85				4P	2.3	671	574	14	1.60			7.0	198	190.11	10	1.95	GS69	7.4	189	180.60		10	2.00	GSF69	8.4	168	158.45			10		2.10	GSA69	10	145	134.40	10	2.20	GSAF69			6P	2.7	576	499	15	1.70			11	132	121.33	10	2.30		12	118	106.75		10	2.40		4.2	275	201.00			6.7		0.95	GS59	4P	2.4	585	543	7.0	0.90					4.6	257	184.80	6.9	1.00	GSF59	5.4	221	158.12		7.1	1.20	GSA59	6.2	198			137.05		7.3	1.35	GSAF59	6.6	185	128.10	7.4		1.35			6P	2.8	495	469	8.1	1.00			6.6	194	201.00	7.3	1.40		7.2	180	184.80		7.4	1.45		8.4	158	158.12			7.5	1.55		GS59	9.7	140	137.05	7.6	1.60	GSF59	4P	3.1			446	424	8.5	1.10			10	131	128.10	7.6	1.65	GSA59	12	116	110.73		7.7	1.75	GSAF59	14	100			94.08	7.8	1.85			16	91	84.00	7.8	1.95		4P	3.6			396	365	8.9	1.30			6.6	194	201.00	4.9	0.80		7.2	178	184.80		4.9	0.85		8.4	157			158.12	5.1	1.00	GS49	9.7		136	137.05	5.2	1.10	GSF49	4P	4.2			342	319	9.3	1.40			10	129	128.10	5.2	1.20	GSA49	12	113	110.73		5.3	1.35	GSAF49	14	98			94.08	5.3	1.40		16		89	84.00	5.4	1.45		4P	4.7			302	281	9.5	1.50			0.20	7766	6557	40	0.85	GS109R79	0.23	6832	5769		40	0.95	GSF109R79								GSA109R79							GSAF109R79																																																
5.4	162	158.12	7.5	1.50	GSA59		6.2	143	137.05	7.6	1.55			GSAF59		6.5	139	201.00	7.6	1.65			GS59	4P	0.73	1593	1824	27	1.45			7.1		129	184.80	7.6	1.70	GSF59			8.3	113	158.12	7.7	1.80	GSA59	9.6	99	137.05	7.8		1.90	GSAF59	4.2	194	201.00	4.8	0.85			GS49	6P	0.82	1431	1631	28	1.60			4.6		179	184.80	4.9	0.90	GSF49			5.4	156	158.12	5.1	1.00	GSA49	6.2	138	137.05	5.1		1.10	GSAF49	6.6	130	128.10			5.2	1.20		4P	1.4	837	930	28	2.05			7.1		124	184.80	5.2	1.30				8.3	109	158.12	5.3	1.35		9.6	96	137.05		5.3	1.45	GS49	10	90	128.10			5.4	1.50	GSF49	4P	1.4	1134	954	11	1.00			12		79	110.73	5.4	1.55	GSA49			14	69	94.08	5.5	1.65	GSAF49	16	62	84.00		5.5	1.75		18	54	71.75			5.5	1.85		8P	1.6	999	837	13	1.15			19		62	69.39	5.5	1.70				2.9	392	217.41	8.9	1.20	GS69	6P	1.9	837		714	14	1.35						3.4	351	190.11	9.2			1.35	GSF69	3.5	333	180.60	9.3	1.45	GSA69	4.0	297	158.45		9.5	1.55	GSAF69	3.9	315			217.41	9.4	1.50	GS69	4P	2.1	738	637	14	1.55			4.5		279	190.11	10	1.60	GSF69			4.7	266	180.60	10	1.65	GSA69	5.4	239	158.45		10	1.75	GSAF69	6.1	221	217.41			10	1.85		4P	2.3	671	574	14	1.60			7.0		198	190.11	10	1.95	GS69			7.4	189	180.60	10	2.00	GSF69	8.4	168	158.45		10	2.10	GSA69	10	145	134.40			10	2.20	GSAF69	6P	2.7	576	499	15	1.70			11		132	121.33	10	2.30				12	118	106.75	10	2.40		4.2	275	201.00		6.7	0.95	GS59	4P	2.4	585			543	7.0	0.90				4.6	257	184.80	6.9	1.00	GSF59			5.4	221	158.12	7.1	1.20	GSA59	6.2	198	137.05		7.3	1.35	GSAF59	6.6	185			128.10	7.4	1.35		6P	2.8	495	469	8.1	1.00			6.6		194	201.00	7.3	1.40				7.2	180	184.80	7.4	1.45		8.4	158	158.12		7.5	1.55	GS59	9.7	140	137.05			7.6	1.60	GSF59	4P	3.1	446	424	8.5	1.10				10	131	128.10	7.6	1.65	GSA59			12	116	110.73	7.7	1.75	GSAF59	14	100	94.08		7.8	1.85		16	91			84.00	7.8	1.95		4P	3.6	396	365	8.9	1.30				6.6	194	201.00	4.9	0.80				7.2	178	184.80	4.9	0.85		8.4	157	158.12		5.1	1.00	GS49	9.7	136			137.05	5.2	1.10	GSF49	4P	4.2	342	319	9.3	1.40				10	129	128.10	5.2	1.20	GSA49			12	113	110.73	5.3	1.35	GSAF49	14	98	94.08		5.3	1.40		16	89			84.00	5.4	1.45		4P	4.7	302	281	9.5	1.50				0.20	7766	6557	40	0.85	GS109R79			0.23	6832	5769	40	0.95	GSF109R79							GSA109R79								GSAF109R79																																																							
6.2	143	137.05	7.6	1.55	GSAF59		6.5	139	201.00	7.6	1.65			GS59	4P	0.73	1593	1824	27	1.45			7.1		129	184.80	7.6	1.70	GSF59			8.3		113	158.12	7.7	1.80	GSA59			9.6	99	137.05	7.8	1.90	GSAF59	4.2	194	201.00	4.8	0.85	GS49	6P	0.82	1431	1631	28	1.60			4.6		179	184.80	4.9	0.90	GSF49			5.4		156	158.12	5.1	1.00	GSA49			6.2	138	137.05	5.1	1.10	GSAF49	6.6	130	128.10	5.2	1.20		4P	1.4	837	930	28	2.05			7.1		124	184.80	5.2	1.30				8.3		109	158.12	5.3	1.35				9.6	96	137.05	5.3	1.45	GS49	10	90	128.10	5.4	1.50	GSF49	4P	1.4	1134	954	11	1.00			12		79	110.73	5.4	1.55	GSA49			14		69	94.08	5.5	1.65	GSAF49			16	62	84.00	5.5	1.75		18	54	71.75	5.5	1.85		8P	1.6	999	837	13	1.15			19		62	69.39	5.5	1.70				2.9		392	217.41	8.9	1.20	GS69			6P	1.9	837	714	14	1.35				3.4	351	190.11	9.2				1.35	GSF69	3.5	333	180.60	9.3			1.45	GSA69	4.0	297	158.45	9.5	1.55	GSAF69	3.9	315	217.41	9.4	1.50	GS69	4P	2.1	738	637	14	1.55			4.5		279	190.11	10	1.60	GSF69			4.7		266	180.60	10	1.65	GSA69			5.4	239	158.45	10	1.75	GSAF69	6.1	221	217.41	10	1.85		4P	2.3	671	574	14	1.60			7.0		198	190.11	10	1.95	GS69			7.4		189	180.60	10	2.00	GSF69			8.4	168	158.45	10	2.10	GSA69	10	145	134.40	10	2.20	GSAF69	6P	2.7	576	499	15	1.70			11		132	121.33	10	2.30				12		118	106.75	10	2.40				4.2	275	201.00	6.7	0.95	GS59	4P	2.4	585	543	7.0	0.90				4.6	257	184.80	6.9	1.00	GSF59				5.4	221	158.12	7.1	1.20	GSA59			6.2	198	137.05	7.3	1.35	GSAF59	6.6	185	128.10	7.4	1.35		6P	2.8	495	469	8.1	1.00			6.6		194	201.00	7.3	1.40				7.2		180	184.80	7.4	1.45				8.4	158	158.12	7.5	1.55	GS59	9.7	140	137.05	7.6	1.60	GSF59	4P	3.1	446	424	8.5	1.10			10		131	128.10	7.6	1.65	GSA59				12	116	110.73	7.7	1.75	GSAF59			14	100	94.08	7.8	1.85		16	91	84.00	7.8	1.95		4P	3.6	396	365	8.9	1.30			6.6		194	201.00	4.9	0.80					7.2	178	184.80	4.9	0.85				8.4	157	158.12	5.1	1.00	GS49	9.7	136	137.05	5.2	1.10	GSF49	4P	4.2	342	319	9.3	1.40			10		129	128.10	5.2	1.20	GSA49				12	113	110.73	5.3	1.35	GSAF49			14	98	94.08	5.3	1.40		16	89	84.00	5.4	1.45		4P	4.7	302	281	9.5	1.50			0.20		7766	6557	40	0.85	GS109R79				0.23	6832	5769	40	0.95	GSF109R79								GSA109R79						GSAF109R79																																																																
6.5	139	201.00	7.6	1.65	GS59	4P	0.73	1593	1824	27	1.45																																																																																																																																																																																																																																																																																																																																																																																																																																																																																																																																																																																																																																											
7.1	129	184.80	7.6	1.70	GSF59		8.3	113	158.12	7.7	1.80			GSA59		9.6	99	137.05	7.8	1.90			GSAF59		4.2	194	201.00	4.8	0.85			GS49	6P	0.82	1431	1631	28	1.60			4.6	179	184.80	4.9	0.90	GSF49	5.4	156	158.12	5.1	1.00	GSA49		6.2	138	137.05	5.1	1.10			GSAF49		6.6	130	128.10	5.2	1.20				4P	1.4	837	930	28	2.05			7.1	124	184.80	5.2	1.30		8.3	109	158.12	5.3	1.35			9.6	96	137.05	5.3	1.45			GS49		10	90	128.10	5.4	1.50			GSF49	4P	1.4	1134	954	11	1.00			12	79	110.73	5.4	1.55	GSA49	14	69	94.08	5.5	1.65	GSAF49		16	62	84.00	5.5	1.75					18	54	71.75	5.5	1.85				8P	1.6	999	837	13	1.15			19	62	69.39	5.5	1.70		2.9	392	217.41	8.9	1.20	GS69		6P	1.9	837	714	14			1.35				3.4	351	190.11			9.2	1.35	GSF69	3.5	333	180.60	9.3	1.45	GSA69		4.0	297	158.45	9.5	1.55				GSAF69	3.9	315	217.41	9.4			1.50	GS69	4P	2.1	738	637	14	1.55			4.5	279	190.11	10	1.60	GSF69	4.7	266	180.60	10	1.65	GSA69		5.4	239	158.45	10	1.75			GSAF69		6.1	221	217.41	10	1.85				4P	2.3	671	574	14	1.60			7.0	198	190.11	10	1.95	GS69	7.4	189	180.60	10	2.00	GSF69		8.4	168	158.45	10	2.10			GSA69		10	145	134.40	10	2.20			GSAF69	6P	2.7	576	499	15	1.70			11	132	121.33	10	2.30		12	118	106.75	10	2.40			4.2	275	201.00	6.7	0.95			GS59		4P	2.4	585	543	7.0			0.90			4.6	257	184.80	6.9	1.00	GSF59	5.4	221	158.12	7.1	1.20	GSA59		6.2	198	137.05	7.3	1.35				GSAF59	6.6	185	128.10	7.4	1.35				6P	2.8	495	469	8.1	1.00			6.6	194	201.00	7.3	1.40		7.2	180	184.80	7.4	1.45			8.4	158	158.12	7.5	1.55			GS59		9.7	140	137.05	7.6	1.60			GSF59	4P	3.1	446	424	8.5	1.10			10	131	128.10	7.6	1.65	GSA59	12	116	110.73	7.7	1.75	GSAF59		14	100	94.08	7.8	1.85					16	91	84.00	7.8	1.95				4P	3.6	396	365	8.9	1.30			6.6	194	201.00	4.9	0.80		7.2	178	184.80	4.9	0.85			8.4	157	158.12	5.1	1.00			GS49		9.7	136	137.05	5.2	1.10		GSF49		4P	4.2	342	319	9.3	1.40			10	129	128.10	5.2	1.20	GSA49	12	113	110.73	5.3	1.35	GSAF49		14	98	94.08	5.3	1.40					16	89	84.00	5.4	1.45				4P	4.7	302	281	9.5	1.50			0.20	7766	6557	40	0.85	GS109R79	0.23	6832	5769	40	0.95	GSF109R79									GSA109R79								GSAF109R79																																																																																					
8.3	113	158.12	7.7	1.80	GSA59		9.6	99	137.05	7.8	1.90			GSAF59		4.2	194	201.00	4.8	0.85			GS49	6P	0.82	1431	1631	28	1.60			4.6		179	184.80	4.9	0.90	GSF49			5.4	156	158.12	5.1	1.00	GSA49	6.2	138	137.05	5.1	1.10	GSAF49		6.6	130	128.10	5.2	1.20				4P	1.4	837	930	28	2.05			7.1		124	184.80	5.2	1.30				8.3	109	158.12	5.3	1.35		9.6	96	137.05	5.3	1.45	GS49		10	90	128.10	5.4	1.50			GSF49	4P	1.4	1134	954	11	1.00			12		79	110.73	5.4	1.55	GSA49			14	69	94.08	5.5	1.65	GSAF49	16	62	84.00	5.5	1.75			18	54	71.75	5.5	1.85				8P	1.6	999	837	13	1.15			19		62	69.39	5.5	1.70				2.9	392	217.41	8.9	1.20	GS69	6P	1.9	837	714	14	1.35					3.4	351			190.11	9.2			1.35	GSF69	3.5	333	180.60	9.3	1.45	GSA69	4.0	297	158.45	9.5	1.55	GSAF69		3.9	315	217.41	9.4	1.50	GS69			4P	2.1	738	637	14	1.55			4.5		279	190.11	10	1.60	GSF69			4.7	266	180.60	10	1.65	GSA69	5.4	239	158.45	10	1.75	GSAF69		6.1	221	217.41	10	1.85				4P	2.3	671	574	14	1.60			7.0		198	190.11	10	1.95	GS69			7.4	189	180.60	10	2.00	GSF69	8.4	168	158.45	10	2.10	GSA69		10	145	134.40	10	2.20			GSAF69	6P	2.7	576	499	15	1.70			11		132	121.33	10	2.30				12	118	106.75	10	2.40		4.2	275	201.00	6.7	0.95	GS59		4P	2.4	585	543	7.0			0.90				4.6	257	184.80	6.9	1.00	GSF59			5.4	221	158.12	7.1	1.20	GSA59	6.2	198	137.05	7.3	1.35	GSAF59		6.6	185	128.10	7.4	1.35				6P	2.8	495	469	8.1	1.00			6.6		194	201.00	7.3	1.40				7.2	180	184.80	7.4	1.45		8.4	158	158.12	7.5	1.55	GS59		9.7	140	137.05	7.6	1.60			GSF59	4P	3.1	446	424	8.5	1.10			10		131	128.10	7.6	1.65	GSA59			12	116	110.73	7.7	1.75	GSAF59	14	100	94.08	7.8	1.85			16	91	84.00	7.8	1.95				4P	3.6	396	365	8.9	1.30			6.6		194	201.00	4.9	0.80				7.2	178	184.80	4.9	0.85		8.4	157	158.12	5.1	1.00	GS49		9.7	136	137.05	5.2	1.10			GSF49	4P	4.2	342	319	9.3	1.40			10		129	128.10	5.2	1.20	GSA49			12	113	110.73	5.3	1.35	GSAF49	14	98	94.08	5.3	1.40			16	89	84.00	5.4	1.45				4P	4.7	302	281	9.5	1.50			0.20		7766	6557	40	0.85	GS109R79			0.23	6832	5769	40	0.95	GSF109R79						GSA109R79									GSAF109R79																																																																																													
9.6	99	137.05	7.8	1.90	GSAF59		4.2	194	201.00	4.8	0.85			GS49	6P	0.82	1431	1631	28	1.60			4.6		179	184.80	4.9	0.90	GSF49			5.4		156	158.12	5.1	1.00	GSA49			6.2	138	137.05	5.1	1.10	GSAF49	6.6	130	128.10	5.2	1.20		4P	1.4	837	930	28	2.05			7.1		124	184.80	5.2	1.30				8.3		109	158.12	5.3	1.35				9.6	96	137.05	5.3	1.45	GS49	10	90	128.10	5.4	1.50	GSF49	4P	1.4	1134	954	11	1.00			12		79	110.73	5.4	1.55	GSA49			14		69	94.08	5.5	1.65	GSAF49			16	62	84.00	5.5	1.75		18	54	71.75	5.5	1.85		8P	1.6	999	837	13	1.15			19		62	69.39	5.5	1.70				2.9		392	217.41	8.9	1.20	GS69			6P	1.9	837	714	14	1.35				3.4	351	190.11	9.2				1.35	GSF69	3.5	333	180.60	9.3			1.45	GSA69	4.0	297	158.45	9.5	1.55	GSAF69	3.9	315	217.41	9.4	1.50	GS69	4P	2.1	738	637	14	1.55			4.5		279	190.11	10	1.60	GSF69			4.7		266	180.60	10	1.65	GSA69			5.4	239	158.45	10	1.75	GSAF69	6.1	221	217.41	10	1.85		4P	2.3	671	574	14	1.60			7.0		198	190.11	10	1.95	GS69			7.4		189	180.60	10	2.00	GSF69			8.4	168	158.45	10	2.10	GSA69	10	145	134.40	10	2.20	GSAF69	6P	2.7	576	499	15	1.70			11		132	121.33	10	2.30				12		118	106.75	10	2.40				4.2	275	201.00	6.7	0.95	GS59	4P	2.4	585	543	7.0	0.90				4.6	257	184.80	6.9	1.00	GSF59				5.4	221	158.12	7.1	1.20	GSA59			6.2	198	137.05	7.3	1.35	GSAF59	6.6	185	128.10	7.4	1.35		6P	2.8	495	469	8.1	1.00			6.6		194	201.00	7.3	1.40				7.2		180	184.80	7.4	1.45				8.4	158	158.12	7.5	1.55	GS59	9.7	140	137.05	7.6	1.60	GSF59	4P	3.1	446	424	8.5	1.10			10		131	128.10	7.6	1.65	GSA59			12		116	110.73	7.7	1.75	GSAF59			14	100	94.08	7.8	1.85		16	91	84.00	7.8	1.95		4P	3.6	396	365	8.9	1.30			6.6		194	201.00	4.9	0.80				7.2		178	184.80	4.9	0.85				8.4	157	158.12	5.1	1.00	GS49	9.7	136	137.05	5.2	1.10	GSF49	4P	4.2	342	319	9.3	1.40			10		129	128.10	5.2	1.20	GSA49			12		113	110.73	5.3	1.35	GSAF49			14	98	94.08	5.3	1.40		16	89	84.00	5.4	1.45		4P	4.7	302	281	9.5	1.50			0.20		7766	6557	40	0.85	GS109R79			0.23		6832	5769	40	0.95	GSF109R79								GSA109R79						GSAF109R79																																																																																																						
4.2	194	201.00	4.8	0.85	GS49	6P	0.82	1431	1631	28	1.60																																																																																																																																																																																																																																																																																																																																																																																																																																																																																																																																																																																																																																											
4.6	179	184.80	4.9	0.90	GSF49		5.4	156	158.12	5.1	1.00			GSA49		6.2	138	137.05	5.1	1.10			GSAF49		6.6	130	128.10	5.2	1.20				4P	1.4	837	930	28	2.05			7.1	124	184.80	5.2	1.30		8.3	109	158.12	5.3	1.35			9.6	96	137.05	5.3	1.45			GS49		10	90	128.10	5.4	1.50			GSF49	4P	1.4	1134	954	11	1.00			12	79	110.73	5.4	1.55	GSA49	14	69	94.08	5.5	1.65	GSAF49		16	62	84.00	5.5	1.75					18	54	71.75	5.5	1.85				8P	1.6	999	837	13	1.15			19	62	69.39	5.5	1.70		2.9	392	217.41	8.9	1.20	GS69		6P	1.9	837	714	14			1.35				3.4	351	190.11			9.2	1.35	GSF69	3.5	333	180.60	9.3	1.45	GSA69		4.0	297	158.45	9.5	1.55				GSAF69	3.9	315	217.41	9.4			1.50	GS69	4P	2.1	738	637	14	1.55			4.5	279	190.11	10	1.60	GSF69	4.7	266	180.60	10	1.65	GSA69		5.4	239	158.45	10	1.75			GSAF69		6.1	221	217.41	10	1.85				4P	2.3	671	574	14	1.60			7.0	198	190.11	10	1.95	GS69	7.4	189	180.60	10	2.00	GSF69		8.4	168	158.45	10	2.10			GSA69		10	145	134.40	10	2.20			GSAF69	6P	2.7	576	499	15	1.70			11	132	121.33	10	2.30		12	118	106.75	10	2.40			4.2	275	201.00	6.7	0.95			GS59		4P	2.4	585	543	7.0			0.90			4.6	257	184.80	6.9	1.00	GSF59	5.4	221	158.12	7.1	1.20	GSA59		6.2	198	137.05	7.3	1.35				GSAF59	6.6	185	128.10	7.4	1.35				6P	2.8	495	469	8.1	1.00			6.6	194	201.00	7.3	1.40		7.2	180	184.80	7.4	1.45			8.4	158	158.12	7.5	1.55			GS59		9.7	140	137.05	7.6	1.60			GSF59	4P	3.1	446	424	8.5	1.10			10	131	128.10	7.6	1.65	GSA59	12	116	110.73	7.7	1.75	GSAF59		14	100	94.08	7.8	1.85					16	91	84.00	7.8	1.95				4P	3.6	396	365	8.9	1.30			6.6	194	201.00	4.9	0.80		7.2	178	184.80	4.9	0.85			8.4	157	158.12	5.1	1.00			GS49		9.7	136	137.05	5.2	1.10			GSF49	4P	4.2	342	319	9.3	1.40			10	129	128.10	5.2	1.20	GSA49	12	113	110.73	5.3	1.35	GSAF49		14	98	94.08	5.3	1.40					16	89	84.00	5.4	1.45				4P	4.7	302	281	9.5	1.50			0.20	7766	6557	40	0.85	GS109R79	0.23	6832	5769	40	0.95	GSF109R79									GSA109R79									GSAF109R79																																																																																																																										
5.4	156	158.12	5.1	1.00	GSA49		6.2	138	137.05	5.1	1.10			GSAF49		6.6	130	128.10	5.2	1.20				4P	1.4	837	930	28	2.05			7.1		124	184.80	5.2	1.30				8.3	109	158.12	5.3	1.35		9.6	96	137.05	5.3	1.45	GS49		10	90	128.10	5.4	1.50			GSF49	4P	1.4	1134	954	11	1.00			12		79	110.73	5.4	1.55	GSA49			14	69	94.08	5.5	1.65	GSAF49	16	62	84.00	5.5	1.75			18	54	71.75	5.5	1.85				8P	1.6	999	837	13	1.15			19		62	69.39	5.5	1.70				2.9	392	217.41	8.9	1.20	GS69	6P	1.9	837	714	14	1.35					3.4	351			190.11	9.2			1.35	GSF69	3.5	333	180.60	9.3	1.45	GSA69	4.0	297	158.45	9.5	1.55	GSAF69		3.9	315	217.41	9.4	1.50	GS69			4P	2.1	738	637	14	1.55			4.5		279	190.11	10	1.60	GSF69			4.7	266	180.60	10	1.65	GSA69	5.4	239	158.45	10	1.75	GSAF69		6.1	221	217.41	10	1.85				4P	2.3	671	574	14	1.60			7.0		198	190.11	10	1.95	GS69			7.4	189	180.60	10	2.00	GSF69	8.4	168	158.45	10	2.10	GSA69		10	145	134.40	10	2.20			GSAF69	6P	2.7	576	499	15	1.70			11		132	121.33	10	2.30				12	118	106.75	10	2.40		4.2	275	201.00	6.7	0.95	GS59		4P	2.4	585	543	7.0			0.90				4.6	257	184.80	6.9	1.00	GSF59			5.4	221	158.12	7.1	1.20	GSA59	6.2	198	137.05	7.3	1.35	GSAF59		6.6	185	128.10	7.4	1.35				6P	2.8	495	469	8.1	1.00			6.6		194	201.00	7.3	1.40				7.2	180	184.80	7.4	1.45		8.4	158	158.12	7.5	1.55	GS59		9.7	140	137.05	7.6	1.60			GSF59	4P	3.1	446	424	8.5	1.10			10		131	128.10	7.6	1.65	GSA59			12	116	110.73	7.7	1.75	GSAF59	14	100	94.08	7.8	1.85			16	91	84.00	7.8	1.95				4P	3.6	396	365	8.9	1.30			6.6		194	201.00	4.9	0.80				7.2	178	184.80	4.9	0.85		8.4	157	158.12	5.1	1.00	GS49		9.7	136	137.05	5.2	1.10			GSF49	4P	4.2	342	319	9.3	1.40			10		129	128.10	5.2	1.20	GSA49			12	113	110.73	5.3	1.35	GSAF49	14	98	94.08	5.3	1.40			16	89	84.00	5.4	1.45				4P	4.7	302	281	9.5	1.50			0.20		7766	6557	40	0.85	GS109R79			0.23	6832	5769	40	0.95	GSF109R79						GSA109R79									GSAF109R79																																																																																																																																			
6.2	138	137.05	5.1	1.10	GSAF49		6.6	130	128.10	5.2	1.20				4P	1.4	837	930	28	2.05			7.1		124	184.80	5.2	1.30				8.3		109	158.12	5.3	1.35				9.6	96	137.05	5.3	1.45	GS49	10	90	128.10	5.4	1.50	GSF49	4P	1.4	1134	954	11	1.00			12		79	110.73	5.4	1.55	GSA49			14		69	94.08	5.5	1.65	GSAF49			16	62	84.00	5.5	1.75		18	54	71.75	5.5	1.85		8P	1.6	999	837	13	1.15			19		62	69.39	5.5	1.70				2.9		392	217.41	8.9	1.20	GS69			6P	1.9	837	714	14	1.35				3.4	351	190.11	9.2				1.35	GSF69	3.5	333	180.60	9.3			1.45	GSA69	4.0	297	158.45	9.5	1.55	GSAF69	3.9	315	217.41	9.4	1.50	GS69	4P	2.1	738	637	14	1.55			4.5		279	190.11	10	1.60	GSF69			4.7		266	180.60	10	1.65	GSA69			5.4	239	158.45	10	1.75	GSAF69	6.1	221	217.41	10	1.85		4P	2.3	671	574	14	1.60			7.0		198	190.11	10	1.95	GS69			7.4		189	180.60	10	2.00	GSF69			8.4	168	158.45	10	2.10	GSA69	10	145	134.40	10	2.20	GSAF69	6P	2.7	576	499	15	1.70			11		132	121.33	10	2.30				12		118	106.75	10	2.40				4.2	275	201.00	6.7	0.95	GS59	4P	2.4	585	543	7.0	0.90				4.6	257	184.80	6.9	1.00	GSF59				5.4	221	158.12	7.1	1.20	GSA59			6.2	198	137.05	7.3	1.35	GSAF59	6.6	185	128.10	7.4	1.35		6P	2.8	495	469	8.1	1.00			6.6		194	201.00	7.3	1.40				7.2		180	184.80	7.4	1.45				8.4	158	158.12	7.5	1.55	GS59	9.7	140	137.05	7.6	1.60	GSF59	4P	3.1	446	424	8.5	1.10			10		131	128.10	7.6	1.65	GSA59			12		116	110.73	7.7	1.75	GSAF59			14	100	94.08	7.8	1.85		16	91	84.00	7.8	1.95		4P	3.6	396	365	8.9	1.30			6.6		194	201.00	4.9	0.80				7.2		178	184.80	4.9	0.85				8.4	157	158.12	5.1	1.00	GS49	9.7	136	137.05	5.2	1.10	GSF49	4P	4.2	342	319	9.3	1.40			10		129	128.10	5.2	1.20	GSA49			12		113	110.73	5.3	1.35	GSAF49			14	98	94.08	5.3	1.40		16	89	84.00	5.4	1.45		4P	4.7	302	281	9.5	1.50			0.20		7766	6557	40	0.85	GS109R79			0.23		6832	5769	40	0.95	GSF109R79								GSA109R79						GSAF109R79																																																																																																																																												
6.6	130	128.10	5.2	1.20		4P	1.4	837	930	28	2.05																																																																																																																																																																																																																																																																																																																																																																																																																																																																																																																																																																																																																																											
7.1	124	184.80	5.2	1.30			8.3	109	158.12	5.3	1.35					9.6	96	137.05	5.3	1.45			GS49		10	90	128.10	5.4	1.50			GSF49	4P	1.4	1134	954	11	1.00			12	79	110.73	5.4	1.55	GSA49	14	69	94.08	5.5	1.65	GSAF49		16	62	84.00	5.5	1.75					18	54	71.75	5.5	1.85				8P	1.6	999	837	13	1.15			19	62	69.39	5.5	1.70		2.9	392	217.41	8.9	1.20	GS69		6P	1.9	837	714	14			1.35				3.4	351	190.11			9.2	1.35	GSF69	3.5	333	180.60	9.3	1.45	GSA69		4.0	297	158.45	9.5	1.55				GSAF69	3.9	315	217.41	9.4			1.50	GS69	4P	2.1	738	637	14	1.55			4.5	279	190.11	10	1.60	GSF69	4.7	266	180.60	10	1.65	GSA69		5.4	239	158.45	10	1.75			GSAF69		6.1	221	217.41	10	1.85				4P	2.3	671	574	14	1.60			7.0	198	190.11	10	1.95	GS69	7.4	189	180.60	10	2.00	GSF69		8.4	168	158.45	10	2.10			GSA69		10	145	134.40	10	2.20			GSAF69	6P	2.7	576	499	15	1.70			11	132	121.33	10	2.30		12	118	106.75	10	2.40			4.2	275	201.00	6.7	0.95			GS59		4P	2.4	585	543	7.0			0.90			4.6	257	184.80	6.9	1.00	GSF59	5.4	221	158.12	7.1	1.20	GSA59		6.2	198	137.05	7.3	1.35				GSAF59	6.6	185	128.10	7.4	1.35				6P	2.8	495	469	8.1	1.00			6.6	194	201.00	7.3	1.40		7.2	180	184.80	7.4	1.45			8.4	158	158.12	7.5	1.55			GS59		9.7	140	137.05	7.6	1.60			GSF59	4P	3.1	446	424	8.5	1.10			10	131	128.10	7.6	1.65	GSA59	12	116	110.73	7.7	1.75	GSAF59		14	100	94.08	7.8	1.85					16	91	84.00	7.8	1.95				4P	3.6	396	365	8.9	1.30			6.6	194	201.00	4.9	0.80		7.2	178	184.80	4.9	0.85			8.4	157	158.12	5.1	1.00			GS49		9.7	136	137.05	5.2	1.10			GSF49	4P	4.2	342	319	9.3	1.40			10	129	128.10	5.2	1.20	GSA49	12	113	110.73	5.3	1.35	GSAF49		14	98	94.08	5.3	1.40					16	89	84.00	5.4	1.45				4P	4.7	302	281	9.5	1.50			0.20	7766	6557	40	0.85	GS109R79	0.23	6832	5769	40	0.95	GSF109R79									GSA109R79									GSAF109R79																																																																																																																																																																
8.3	109	158.12	5.3	1.35			9.6	96	137.05	5.3	1.45			GS49		10	90	128.10	5.4	1.50			GSF49	4P	1.4	1134	954	11	1.00			12		79	110.73	5.4	1.55	GSA49			14	69	94.08	5.5	1.65	GSAF49	16	62	84.00	5.5	1.75			18	54	71.75	5.5	1.85				8P	1.6	999	837	13	1.15			19		62	69.39	5.5	1.70				2.9	392	217.41	8.9	1.20	GS69	6P	1.9	837	714	14	1.35					3.4	351			190.11	9.2			1.35	GSF69	3.5	333	180.60	9.3	1.45	GSA69	4.0	297	158.45	9.5	1.55	GSAF69		3.9	315	217.41	9.4	1.50	GS69			4P	2.1	738	637	14	1.55			4.5		279	190.11	10	1.60	GSF69			4.7	266	180.60	10	1.65	GSA69	5.4	239	158.45	10	1.75	GSAF69		6.1	221	217.41	10	1.85				4P	2.3	671	574	14	1.60			7.0		198	190.11	10	1.95	GS69			7.4	189	180.60	10	2.00	GSF69	8.4	168	158.45	10	2.10	GSA69		10	145	134.40	10	2.20			GSAF69	6P	2.7	576	499	15	1.70			11		132	121.33	10	2.30				12	118	106.75	10	2.40		4.2	275	201.00	6.7	0.95	GS59		4P	2.4	585	543	7.0			0.90				4.6	257	184.80	6.9	1.00	GSF59			5.4	221	158.12	7.1	1.20	GSA59	6.2	198	137.05	7.3	1.35	GSAF59		6.6	185	128.10	7.4	1.35				6P	2.8	495	469	8.1	1.00			6.6		194	201.00	7.3	1.40				7.2	180	184.80	7.4	1.45		8.4	158	158.12	7.5	1.55	GS59		9.7	140	137.05	7.6	1.60			GSF59	4P	3.1	446	424	8.5	1.10			10		131	128.10	7.6	1.65	GSA59			12	116	110.73	7.7	1.75	GSAF59	14	100	94.08	7.8	1.85			16	91	84.00	7.8	1.95				4P	3.6	396	365	8.9	1.30			6.6		194	201.00	4.9	0.80				7.2	178	184.80	4.9	0.85		8.4	157	158.12	5.1	1.00	GS49		9.7	136	137.05	5.2	1.10			GSF49	4P	4.2	342	319	9.3	1.40			10		129	128.10	5.2	1.20	GSA49			12	113	110.73	5.3	1.35	GSAF49	14	98	94.08	5.3	1.40			16	89	84.00	5.4	1.45				4P	4.7	302	281	9.5	1.50			0.20		7766	6557	40	0.85	GS109R79			0.23	6832	5769	40	0.95	GSF109R79						GSA109R79									GSAF109R79																																																																																																																																																																									
9.6	96	137.05	5.3	1.45	GS49		10	90	128.10	5.4	1.50			GSF49	4P	1.4	1134	954	11	1.00			12		79	110.73	5.4	1.55	GSA49			14		69	94.08	5.5	1.65	GSAF49			16	62	84.00	5.5	1.75		18	54	71.75	5.5	1.85		8P	1.6	999	837	13	1.15			19		62	69.39	5.5	1.70				2.9		392	217.41	8.9	1.20	GS69			6P	1.9	837	714	14	1.35				3.4	351	190.11	9.2				1.35	GSF69	3.5	333	180.60	9.3			1.45	GSA69	4.0	297	158.45	9.5	1.55	GSAF69	3.9	315	217.41	9.4	1.50	GS69	4P	2.1	738	637	14	1.55			4.5		279	190.11	10	1.60	GSF69			4.7		266	180.60	10	1.65	GSA69			5.4	239	158.45	10	1.75	GSAF69	6.1	221	217.41	10	1.85		4P	2.3	671	574	14	1.60			7.0		198	190.11	10	1.95	GS69			7.4		189	180.60	10	2.00	GSF69			8.4	168	158.45	10	2.10	GSA69	10	145	134.40	10	2.20	GSAF69	6P	2.7	576	499	15	1.70			11		132	121.33	10	2.30				12		118	106.75	10	2.40				4.2	275	201.00	6.7	0.95	GS59	4P	2.4	585	543	7.0	0.90				4.6	257	184.80	6.9	1.00	GSF59				5.4	221	158.12	7.1	1.20	GSA59			6.2	198	137.05	7.3	1.35	GSAF59	6.6	185	128.10	7.4	1.35		6P	2.8	495	469	8.1	1.00			6.6		194	201.00	7.3	1.40				7.2		180	184.80	7.4	1.45				8.4	158	158.12	7.5	1.55	GS59	9.7	140	137.05	7.6	1.60	GSF59	4P	3.1	446	424	8.5	1.10			10		131	128.10	7.6	1.65	GSA59			12		116	110.73	7.7	1.75	GSAF59			14	100	94.08	7.8	1.85		16	91	84.00	7.8	1.95		4P	3.6	396	365	8.9	1.30			6.6		194	201.00	4.9	0.80				7.2		178	184.80	4.9	0.85				8.4	157	158.12	5.1	1.00	GS49	9.7	136	137.05	5.2	1.10	GSF49	4P	4.2	342	319	9.3	1.40			10		129	128.10	5.2	1.20	GSA49			12		113	110.73	5.3	1.35	GSAF49			14	98	94.08	5.3	1.40		16	89	84.00	5.4	1.45		4P	4.7	302	281	9.5	1.50			0.20		7766	6557	40	0.85	GS109R79			0.23		6832	5769	40	0.95	GSF109R79								GSA109R79						GSAF109R79																																																																																																																																																																																		
10	90	128.10	5.4	1.50	GSF49	4P	1.4	1134	954	11	1.00																																																																																																																																																																																																																																																																																																																																																																																																																																																																																																																																																																																																																																											
12	79	110.73	5.4	1.55	GSA49		14	69	94.08	5.5	1.65			GSAF49		16	62	84.00	5.5	1.75					18	54	71.75	5.5	1.85				8P	1.6	999	837	13	1.15			19	62	69.39	5.5	1.70		2.9	392	217.41	8.9	1.20	GS69		6P	1.9	837	714	14			1.35				3.4	351	190.11			9.2	1.35	GSF69	3.5	333	180.60	9.3	1.45	GSA69		4.0	297	158.45	9.5	1.55				GSAF69	3.9	315	217.41	9.4			1.50	GS69	4P	2.1	738	637	14	1.55			4.5	279	190.11	10	1.60	GSF69	4.7	266	180.60	10	1.65	GSA69		5.4	239	158.45	10	1.75			GSAF69		6.1	221	217.41	10	1.85				4P	2.3	671	574	14	1.60			7.0	198	190.11	10	1.95	GS69	7.4	189	180.60	10	2.00	GSF69		8.4	168	158.45	10	2.10			GSA69		10	145	134.40	10	2.20			GSAF69	6P	2.7	576	499	15	1.70			11	132	121.33	10	2.30		12	118	106.75	10	2.40			4.2	275	201.00	6.7	0.95			GS59		4P	2.4	585	543	7.0			0.90			4.6	257	184.80	6.9	1.00	GSF59	5.4	221	158.12	7.1	1.20	GSA59		6.2	198	137.05	7.3	1.35				GSAF59	6.6	185	128.10	7.4	1.35				6P	2.8	495	469	8.1	1.00			6.6	194	201.00	7.3	1.40		7.2	180	184.80	7.4	1.45			8.4	158	158.12	7.5	1.55			GS59		9.7	140	137.05	7.6	1.60			GSF59	4P	3.1	446	424	8.5	1.10			10	131	128.10	7.6	1.65	GSA59	12	116	110.73	7.7	1.75	GSAF59		14	100	94.08	7.8	1.85					16	91	84.00	7.8	1.95				4P	3.6	396	365	8.9	1.30			6.6	194	201.00	4.9	0.80		7.2	178	184.80	4.9	0.85			8.4	157	158.12	5.1	1.00			GS49		9.7	136	137.05	5.2	1.10			GSF49	4P	4.2	342	319	9.3	1.40			10	129	128.10	5.2	1.20	GSA49	12	113	110.73	5.3	1.35	GSAF49		14	98	94.08	5.3	1.40					16	89	84.00	5.4	1.45				4P	4.7	302	281	9.5	1.50			0.20	7766	6557	40	0.85	GS109R79	0.23	6832	5769	40	0.95	GSF109R79									GSA109R79									GSAF109R79																																																																																																																																																																																																						
14	69	94.08	5.5	1.65	GSAF49		16	62	84.00	5.5	1.75					18	54	71.75	5.5	1.85				8P	1.6	999	837	13	1.15			19		62	69.39	5.5	1.70				2.9	392	217.41	8.9	1.20	GS69	6P	1.9	837	714	14	1.35					3.4	351			190.11	9.2			1.35	GSF69	3.5	333	180.60	9.3	1.45	GSA69	4.0	297	158.45	9.5	1.55	GSAF69		3.9	315	217.41	9.4	1.50	GS69			4P	2.1	738	637	14	1.55			4.5		279	190.11	10	1.60	GSF69			4.7	266	180.60	10	1.65	GSA69	5.4	239	158.45	10	1.75	GSAF69		6.1	221	217.41	10	1.85				4P	2.3	671	574	14	1.60			7.0		198	190.11	10	1.95	GS69			7.4	189	180.60	10	2.00	GSF69	8.4	168	158.45	10	2.10	GSA69		10	145	134.40	10	2.20			GSAF69	6P	2.7	576	499	15	1.70			11		132	121.33	10	2.30				12	118	106.75	10	2.40		4.2	275	201.00	6.7	0.95	GS59		4P	2.4	585	543	7.0			0.90				4.6	257	184.80	6.9	1.00	GSF59			5.4	221	158.12	7.1	1.20	GSA59	6.2	198	137.05	7.3	1.35	GSAF59		6.6	185	128.10	7.4	1.35				6P	2.8	495	469	8.1	1.00			6.6		194	201.00	7.3	1.40				7.2	180	184.80	7.4	1.45		8.4	158	158.12	7.5	1.55	GS59		9.7	140	137.05	7.6	1.60			GSF59	4P	3.1	446	424	8.5	1.10			10		131	128.10	7.6	1.65	GSA59			12	116	110.73	7.7	1.75	GSAF59	14	100	94.08	7.8	1.85			16	91	84.00	7.8	1.95				4P	3.6	396	365	8.9	1.30			6.6		194	201.00	4.9	0.80				7.2	178	184.80	4.9	0.85		8.4	157	158.12	5.1	1.00	GS49		9.7	136	137.05	5.2	1.10			GSF49	4P	4.2	342	319	9.3	1.40			10		129	128.10	5.2	1.20	GSA49			12	113	110.73	5.3	1.35	GSAF49	14	98	94.08	5.3	1.40			16	89	84.00	5.4	1.45				4P	4.7	302	281	9.5	1.50			0.20		7766	6557	40	0.85	GS109R79			0.23	6832	5769	40	0.95	GSF109R79						GSA109R79									GSAF109R79																																																																																																																																																																																																															
16	62	84.00	5.5	1.75			18	54	71.75	5.5	1.85				8P	1.6	999	837	13	1.15			19		62	69.39	5.5	1.70				2.9		392	217.41	8.9	1.20	GS69			6P	1.9	837	714	14	1.35				3.4	351	190.11	9.2				1.35	GSF69	3.5	333	180.60	9.3			1.45	GSA69	4.0	297	158.45	9.5	1.55	GSAF69	3.9	315	217.41	9.4	1.50	GS69	4P	2.1	738	637	14	1.55			4.5		279	190.11	10	1.60	GSF69			4.7		266	180.60	10	1.65	GSA69			5.4	239	158.45	10	1.75	GSAF69	6.1	221	217.41	10	1.85		4P	2.3	671	574	14	1.60			7.0		198	190.11	10	1.95	GS69			7.4		189	180.60	10	2.00	GSF69			8.4	168	158.45	10	2.10	GSA69	10	145	134.40	10	2.20	GSAF69	6P	2.7	576	499	15	1.70			11		132	121.33	10	2.30				12		118	106.75	10	2.40				4.2	275	201.00	6.7	0.95	GS59	4P	2.4	585	543	7.0	0.90				4.6	257	184.80	6.9	1.00	GSF59				5.4	221	158.12	7.1	1.20	GSA59			6.2	198	137.05	7.3	1.35	GSAF59	6.6	185	128.10	7.4	1.35		6P	2.8	495	469	8.1	1.00			6.6		194	201.00	7.3	1.40				7.2		180	184.80	7.4	1.45				8.4	158	158.12	7.5	1.55	GS59	9.7	140	137.05	7.6	1.60	GSF59	4P	3.1	446	424	8.5	1.10			10		131	128.10	7.6	1.65	GSA59			12		116	110.73	7.7	1.75	GSAF59			14	100	94.08	7.8	1.85		16	91	84.00	7.8	1.95		4P	3.6	396	365	8.9	1.30			6.6		194	201.00	4.9	0.80				7.2		178	184.80	4.9	0.85				8.4	157	158.12	5.1	1.00	GS49	9.7	136	137.05	5.2	1.10	GSF49	4P	4.2	342	319	9.3	1.40			10		129	128.10	5.2	1.20	GSA49			12		113	110.73	5.3	1.35	GSAF49			14	98	94.08	5.3	1.40		16	89	84.00	5.4	1.45		4P	4.7	302	281	9.5	1.50			0.20		7766	6557	40	0.85	GS109R79			0.23		6832	5769	40	0.95	GSF109R79								GSA109R79						GSAF109R79																																																																																																																																																																																																																								
18	54	71.75	5.5	1.85		8P	1.6	999	837	13	1.15																																																																																																																																																																																																																																																																																																																																																																																																																																																																																																																																																																																																																																											
19	62	69.39	5.5	1.70			2.9	392	217.41	8.9	1.20			GS69		6P	1.9	837	714	14			1.35				3.4	351	190.11			9.2	1.35	GSF69	3.5	333	180.60	9.3	1.45	GSA69		4.0	297	158.45	9.5	1.55				GSAF69	3.9	315	217.41	9.4			1.50	GS69	4P	2.1	738	637	14	1.55			4.5	279	190.11	10	1.60	GSF69	4.7	266	180.60	10	1.65	GSA69		5.4	239	158.45	10	1.75			GSAF69		6.1	221	217.41	10	1.85				4P	2.3	671	574	14	1.60			7.0	198	190.11	10	1.95	GS69	7.4	189	180.60	10	2.00	GSF69		8.4	168	158.45	10	2.10			GSA69		10	145	134.40	10	2.20			GSAF69	6P	2.7	576	499	15	1.70			11	132	121.33	10	2.30		12	118	106.75	10	2.40			4.2	275	201.00	6.7	0.95			GS59		4P	2.4	585	543	7.0			0.90			4.6	257	184.80	6.9	1.00	GSF59	5.4	221	158.12	7.1	1.20	GSA59		6.2	198	137.05	7.3	1.35				GSAF59	6.6	185	128.10	7.4	1.35				6P	2.8	495	469	8.1	1.00			6.6	194	201.00	7.3	1.40		7.2	180	184.80	7.4	1.45			8.4	158	158.12	7.5	1.55			GS59		9.7	140	137.05	7.6	1.60			GSF59	4P	3.1	446	424	8.5	1.10			10	131	128.10	7.6	1.65	GSA59	12	116	110.73	7.7	1.75	GSAF59		14	100	94.08	7.8	1.85					16	91	84.00	7.8	1.95				4P	3.6	396	365	8.9	1.30			6.6	194	201.00	4.9	0.80		7.2	178	184.80	4.9	0.85			8.4	157	158.12	5.1	1.00			GS49		9.7	136	137.05	5.2	1.10			GSF49	4P	4.2	342	319	9.3	1.40			10	129	128.10	5.2	1.20	GSA49	12	113	110.73	5.3	1.35	GSAF49		14	98	94.08	5.3	1.40					16	89	84.00	5.4	1.45				4P	4.7	302	281	9.5	1.50			0.20	7766	6557	40	0.85	GS109R79	0.23	6832	5769	40	0.95	GSF109R79									GSA109R79									GSAF109R79																																																																																																																																																																																																																																												
2.9	392	217.41	8.9	1.20	GS69		6P	1.9	837	714	14			1.35																																																																																																																																																																																																																																																																																																																																																																																																																																																																																																																																																																																																																																								
3.4	351	190.11	9.2	1.35	GSF69			3.5	333	180.60	9.3			1.45	GSA69				4.0	297	158.45	9.5	1.55	GSAF69			3.9	315	217.41	9.4	1.50	GS69	4P	2.1	738	637	14	1.55			4.5	279	190.11	10	1.60	GSF69	4.7	266	180.60	10	1.65	GSA69	5.4	239	158.45	10	1.75	GSAF69		6.1	221	217.41	10	1.85				4P	2.3	671	574	14	1.60			7.0	198	190.11	10	1.95	GS69	7.4	189	180.60	10	2.00	GSF69	8.4	168	158.45	10	2.10	GSA69	10	145	134.40		10	2.20	GSAF69	6P	2.7			576	499	15	1.70			11	132	121.33	10	2.30		12	118	106.75	10	2.40		4.2	275	201.00	6.7	0.95	GS59	4P	2.4	585	543	7.0	0.90				4.6	257	184.80			6.9	1.00	GSF59	5.4	221	158.12	7.1	1.20	GSA59	6.2	198	137.05	7.3	1.35	GSAF59	6.6	185	128.10	7.4	1.35		6P		2.8	495	469	8.1	1.00					6.6	194	201.00	7.3	1.40		7.2	180	184.80	7.4	1.45		8.4	158	158.12	7.5	1.55	GS59	9.7	140	137.05	7.6	1.60	GSF59	4P	3.1	446	424	8.5	1.10				10	131	128.10			7.6	1.65	GSA59	12	116	110.73	7.7	1.75	GSAF59	14	100	94.08	7.8	1.85		16	91	84.00	7.8	1.95		4P	3.6	396	365	8.9	1.30			6.6		194	201.00	4.9	0.80				7.2	178	184.80	4.9	0.85		8.4	157	158.12	5.1	1.00	GS49	9.7	136	137.05	5.2	1.10	GSF49	4P	4.2	342	319	9.3	1.40			10	129	128.10	5.2		1.20	GSA49	12	113	110.73			5.3	1.35	GSAF49	14	98	94.08	5.3	1.40		16	89	84.00	5.4	1.45		4P	4.7	302	281	9.5	1.50			0.20	7766	6557	40	0.85	GS109R79	0.23		6832	5769	40	0.95	GSF109R79								GSA109R79						GSAF109R79																																																																																																																																																																																																																																																																																																				
3.5	333	180.60	9.3	1.45	GSA69	4.0		297	158.45	9.5	1.55	GSAF69	3.9	315	217.41				9.4	1.50	GS69	4P	2.1	738			637	14	1.55			4.5		279	190.11	10	1.60	GSF69			4.7	266	180.60	10	1.65	GSA69	5.4	239	158.45	10	1.75	GSAF69	6.1	221	217.41	10	1.85			4P	2.3	671	574	14			1.60				7.0	198	190.11			10	1.95	GS69	7.4	189	180.60	10	2.00	GSF69	8.4	168	158.45	10	2.10	GSA69	10	145	134.40	10	2.20	GSAF69		6P	2.7	576		499			15	1.70					11	132	121.33	10	2.30		12	118	106.75	10	2.40		4.2	275	201.00	6.7	0.95	GS59		4P	2.4	585	543	7.0				0.90					4.6	257	184.80	6.9	1.00	GSF59	5.4	221	158.12	7.1	1.20	GSA59	6.2	198	137.05	7.3	1.35	GSAF59	6.6	185	128.10			7.4	1.35		6P	2.8					495	469	8.1	1.00			6.6	194	201.00	7.3	1.40		7.2	180	184.80	7.4	1.45		8.4	158	158.12	7.5	1.55	GS59		9.7	140	137.05	7.6	1.60				GSF59	4P	3.1			446	424	8.5	1.10			10	131	128.10	7.6	1.65	GSA59	12	116	110.73	7.7	1.75	GSAF59	14	100	94.08		7.8	1.85		16	91			84.00		7.8	1.95		4P	3.6			396	365	8.9	1.30			6.6	194	201.00	4.9	0.80		7.2	178	184.80	4.9	0.85			8.4	157	158.12	5.1	1.00			GS49	9.7	136	137.05		5.2	1.10	GSF49	4P	4.2			342	319	9.3	1.40			10	129	128.10	5.2	1.20	GSA49	12	113	110.73		5.3	1.35	GSAF49	14	98			94.08	5.3	1.40		16	89	84.00		5.4	1.45		4P	4.7			302	281	9.5	1.50			0.20	7766	6557	40	0.85	GS109R79	0.23	6832	5769	40	0.95	GSF109R79						GSA109R79						GSAF109R79																																																																																																																																																																																																																																																																																		
4.0	297	158.45	9.5	1.55	GSAF69	3.9		315	217.41	9.4	1.50	GS69	4P	2.1	738	637			14	1.55				4.5	279	190.11	10	1.60	GSF69			4.7		266	180.60	10	1.65	GSA69			5.4	239	158.45	10	1.75	GSAF69	6.1	221	217.41	10	1.85		4P	2.3	671	574	14	1.60				7.0	198	190.11	10	1.95	GS69				7.4	189	180.60			10	2.00	GSF69	8.4	168	158.45	10	2.10	GSA69	10	145	134.40	10	2.20	GSAF69	6P	2.7	576	499	15	1.70				11		132	121.33	10	2.30						12	118	106.75	10	2.40		4.2	275	201.00	6.7	0.95	GS59	4P	2.4	585	543	7.0	0.90					4.6	257	184.80			6.9			1.00	GSF59	5.4	221	158.12	7.1	1.20	GSA59	6.2	198	137.05	7.3	1.35	GSAF59	6.6	185	128.10	7.4	1.35		6P	2.8	495		469	8.1	1.00						6.6	194	201.00	7.3	1.40				7.2	180	184.80	7.4	1.45		8.4	158	158.12	7.5	1.55	GS59	9.7	140	137.05	7.6	1.60	GSF59		4P	3.1	446	424	8.5	1.10						10	131	128.10	7.6	1.65	GSA59			12	116	110.73	7.7	1.75	GSAF59	14	100	94.08	7.8	1.85		16	91	84.00		7.8	1.95		4P	3.6			396	365	8.9	1.30				6.6	194	201.00	4.9	0.80				7.2	178	184.80	4.9	0.85		8.4	157	158.12	5.1	1.00	GS49		9.7	136	137.05	5.2	1.10			GSF49	4P	4.2	342	319	9.3	1.40				10	129	128.10	5.2	1.20	GSA49			12	113	110.73	5.3	1.35	GSAF49	14	98	94.08		5.3	1.40		16	89			84.00	5.4	1.45		4P	4.7	302	281	9.5	1.50				0.20	7766	6557	40	0.85	GS109R79			0.23	6832	5769	40	0.95	GSF109R79						GSA109R79						GSAF109R79																																																																																																																																																																																																																																																																																								
3.9	315	217.41	9.4	1.50	GS69	4P	2.1	738	637	14	1.55																																																																																																																																																																																																																																																																																																																																																																																																																																																																																																																																																																																																																																											
4.5	279	190.11	10	1.60	GSF69		4.7	266	180.60	10	1.65				GSA69	5.4	239	158.45	10	1.75				GSAF69	6.1	221	217.41	10	1.85				4P	2.3	671	574	14	1.60			7.0	198	190.11	10	1.95	GS69	7.4	189	180.60	10	2.00	GSF69		8.4	168	158.45	10	2.10				GSA69	10	145	134.40	10	2.20	GSAF69			6P	2.7	576	499	15	1.70			11	132	121.33	10	2.30		12	118	106.75	10	2.40			4.2	275	201.00	6.7	0.95				GS59	4P	2.4	585	543	7.0	0.90					4.6	257	184.80	6.9	1.00	GSF59	5.4	221	158.12	7.1	1.20	GSA59		6.2	198	137.05	7.3	1.35	GSAF59				6.6	185	128.10	7.4	1.35				6P	2.8	495	469	8.1	1.00			6.6	194	201.00	7.3	1.40		7.2	180	184.80	7.4	1.45			8.4	158	158.12	7.5	1.55	GS59				9.7	140	137.05	7.6	1.60	GSF59	4P	3.1			446	424	8.5	1.10			10	131	128.10	7.6	1.65	GSA59	12	116	110.73	7.7	1.75	GSAF59	14		100	94.08	7.8	1.85		16	91				84.00	7.8	1.95		4P	3.6			396	365	8.9	1.30			6.6	194	201.00	4.9	0.80		7.2	178	184.80	4.9	0.85		8.4		157	158.12	5.1	1.00	GS49	9.7	136				137.05	5.2	1.10	GSF49	4P	4.2			342	319	9.3	1.40			10	129	128.10	5.2	1.20	GSA49	12	113	110.73	5.3	1.35	GSAF49	14	98	94.08		5.3	1.40		16	89				84.00	5.4	1.45		4P	4.7			302	281	9.5	1.50			0.20	7766	6557	40	0.85	GS109R79	0.23	6832	5769	40	0.95	GSF109R79							GSA109R79									GSAF109R79																																																																																																																																																																																																																																																																																																														
4.7	266	180.60	10	1.65	GSA69		5.4	239	158.45	10	1.75				GSAF69	6.1	221	217.41	10	1.85				4P	2.3	671	574	14	1.60			7.0		198	190.11	10	1.95	GS69			7.4	189	180.60	10	2.00	GSF69	8.4	168	158.45	10	2.10	GSA69		10	145	134.40	10	2.20		GSAF69		6P	2.7	576	499	15	1.70			11		132	121.33	10	2.30				12	118	106.75	10	2.40		4.2	275	201.00	6.7	0.95	GS59		4P	2.4	585	543	7.0		0.90					4.6	257	184.80	6.9	1.00	GSF59			5.4	221	158.12	7.1	1.20	GSA59	6.2	198	137.05	7.3	1.35	GSAF59		6.6	185	128.10	7.4	1.35		6P			2.8	495	469	8.1	1.00			6.6		194	201.00	7.3	1.40				7.2	180	184.80	7.4	1.45		8.4	158	158.12	7.5	1.55	GS59		9.7	140	137.05	7.6	1.60	GSF59		4P		3.1	446	424	8.5	1.10				10	131	128.10	7.6	1.65	GSA59			12	116	110.73	7.7	1.75	GSAF59	14	100	94.08	7.8	1.85		16		91	84.00	7.8	1.95		4P	3.6		396		365	8.9	1.30				6.6	194	201.00	4.9	0.80				7.2	178	184.80	4.9	0.85		8.4	157	158.12	5.1	1.00	GS49	9.7		136	137.05	5.2	1.10	GSF49	4P	4.2		342		319	9.3	1.40				10	129	128.10	5.2	1.20	GSA49			12	113	110.73	5.3	1.35	GSAF49	14	98	94.08	5.3	1.40		16	89	84.00		5.4	1.45		4P	4.7		302		281	9.5	1.50				0.20	7766	6557	40	0.85	GS109R79			0.23	6832	5769	40	0.95	GSF109R79						GSA109R79							GSAF109R79																																																																																																																																																																																																																																																																																																																							
5.4	239	158.45	10	1.75	GSAF69		6.1	221	217.41	10	1.85				4P	2.3	671	574	14	1.60			7.0		198	190.11	10	1.95	GS69			7.4		189	180.60	10	2.00	GSF69			8.4	168	158.45	10	2.10	GSA69	10	145	134.40	10	2.20	GSAF69	6P	2.7	576	499	15	1.70			11		132	121.33	10	2.30				12		118	106.75	10	2.40				4.2	275	201.00	6.7	0.95	GS59	4P	2.4	585	543	7.0	0.90				4.6	257	184.80	6.9	1.00	GSF59				5.4	221	158.12	7.1	1.20	GSA59			6.2	198	137.05	7.3	1.35	GSAF59	6.6	185	128.10	7.4	1.35		6P	2.8	495	469	8.1	1.00				6.6	194	201.00	7.3	1.40				7.2		180	184.80	7.4	1.45				8.4	158	158.12	7.5	1.55	GS59	9.7	140	137.05	7.6	1.60	GSF59	4P	3.1	446	424	8.5	1.10				10	131	128.10	7.6	1.65	GSA59				12	116	110.73	7.7	1.75	GSAF59			14	100	94.08	7.8	1.85		16	91	84.00	7.8	1.95		4P	3.6	396	365	8.9	1.30				6.6	194	201.00	4.9	0.80					7.2	178	184.80	4.9	0.85				8.4	157	158.12	5.1	1.00	GS49	9.7	136	137.05	5.2	1.10	GSF49	4P	4.2	342	319	9.3	1.40				10	129	128.10	5.2	1.20	GSA49				12	113	110.73	5.3	1.35	GSAF49			14	98	94.08	5.3	1.40		16	89	84.00	5.4	1.45		4P	4.7	302	281	9.5	1.50				0.20	7766	6557	40	0.85	GS109R79				0.23	6832	5769	40	0.95	GSF109R79								GSA109R79						GSAF109R79																																																																																																																																																																																																																																																																																																																														
6.1	221	217.41	10	1.85		4P	2.3	671	574	14	1.60																																																																																																																																																																																																																																																																																																																																																																																																																																																																																																																																																																																																																																											
7.0	198	190.11	10	1.95	GS69		7.4	189	180.60	10	2.00			GSF69		8.4	168	158.45	10	2.10			GSA69		10	145	134.40	10	2.20			GSAF69	6P	2.7	576	499	15	1.70			11	132	121.33	10	2.30		12	118	106.75	10	2.40			4.2	275	201.00	6.7	0.95			GS59		4P	2.4	585	543	7.0			0.90			4.6	257	184.80	6.9	1.00	GSF59	5.4	221	158.12	7.1	1.20	GSA59		6.2	198	137.05	7.3	1.35				GSAF59	6.6	185	128.10	7.4	1.35				6P	2.8	495	469	8.1	1.00			6.6	194	201.00	7.3	1.40		7.2	180	184.80	7.4	1.45			8.4	158	158.12	7.5	1.55				GS59	9.7	140	137.05	7.6	1.60			GSF59	4P	3.1	446	424	8.5	1.10			10	131	128.10	7.6	1.65	GSA59	12	116	110.73	7.7	1.75	GSAF59		14	100	94.08	7.8	1.85					16	91	84.00	7.8	1.95				4P	3.6	396	365	8.9	1.30			6.6	194	201.00	4.9	0.80		7.2	178	184.80	4.9	0.85			8.4	157	158.12	5.1	1.00				GS49	9.7	136	137.05	5.2	1.10		GSF49		4P	4.2	342	319	9.3	1.40			10	129	128.10	5.2	1.20	GSA49	12	113	110.73	5.3	1.35	GSAF49		14	98	94.08	5.3	1.40					16	89	84.00	5.4	1.45				4P	4.7	302	281	9.5	1.50			0.20	7766	6557	40	0.85	GS109R79	0.23	6832	5769	40	0.95	GSF109R79										GSA109R79							GSAF109R79																																																																																																																																																																																																																																																																																																																																																			
7.4	189	180.60	10	2.00	GSF69		8.4	168	158.45	10	2.10			GSA69		10	145	134.40	10	2.20			GSAF69	6P	2.7	576	499	15	1.70			11		132	121.33	10	2.30				12	118	106.75	10	2.40		4.2	275	201.00	6.7	0.95	GS59		4P	2.4	585	543	7.0			0.90				4.6	257	184.80	6.9	1.00	GSF59			5.4	221	158.12	7.1	1.20	GSA59	6.2	198	137.05	7.3	1.35	GSAF59		6.6	185	128.10	7.4	1.35				6P	2.8	495	469	8.1	1.00			6.6		194	201.00	7.3	1.40				7.2	180	184.80	7.4	1.45		8.4	158	158.12	7.5	1.55	GS59		9.7	140	137.05	7.6	1.60		GSF59		4P	3.1	446	424	8.5	1.10			10		131	128.10	7.6	1.65	GSA59			12	116	110.73	7.7	1.75	GSAF59	14	100	94.08	7.8	1.85			16	91	84.00	7.8	1.95				4P	3.6	396	365	8.9	1.30			6.6		194	201.00	4.9	0.80				7.2	178	184.80	4.9	0.85		8.4	157	158.12	5.1	1.00	GS49		9.7	136	137.05	5.2	1.10		GSF49		4P	4.2	342	319	9.3	1.40			10		129	128.10	5.2	1.20	GSA49			12	113	110.73	5.3	1.35	GSAF49	14	98	94.08	5.3	1.40			16	89	84.00	5.4	1.45				4P	4.7	302	281	9.5	1.50			0.20		7766	6557	40	0.85	GS109R79			0.23	6832	5769	40	0.95	GSF109R79						GSA109R79								GSAF109R79																																																																																																																																																																																																																																																																																																																																																												
8.4	168	158.45	10	2.10	GSA69		10	145	134.40	10	2.20			GSAF69	6P	2.7	576	499	15	1.70			11		132	121.33	10	2.30				12		118	106.75	10	2.40				4.2	275	201.00	6.7	0.95	GS59	4P	2.4	585	543	7.0	0.90				4.6	257	184.80	6.9	1.00	GSF59				5.4	221	158.12	7.1	1.20	GSA59			6.2	198	137.05	7.3	1.35	GSAF59	6.6	185	128.10	7.4	1.35		6P	2.8	495	469	8.1	1.00			6.6		194	201.00	7.3	1.40				7.2		180	184.80	7.4	1.45				8.4	158	158.12	7.5	1.55	GS59	9.7	140	137.05	7.6	1.60	GSF59	4P	3.1	446	424	8.5	1.10			10		131	128.10	7.6	1.65	GSA59			12		116	110.73	7.7	1.75	GSAF59			14	100	94.08	7.8	1.85		16	91	84.00	7.8	1.95		4P	3.6	396	365	8.9	1.30			6.6		194	201.00	4.9	0.80				7.2		178	184.80	4.9	0.85				8.4	157	158.12	5.1	1.00	GS49	9.7	136	137.05	5.2	1.10	GSF49	4P	4.2	342	319	9.3	1.40			10		129	128.10	5.2	1.20	GSA49			12		113	110.73	5.3	1.35	GSAF49			14	98	94.08	5.3	1.40		16	89	84.00	5.4	1.45		4P	4.7	302	281	9.5	1.50			0.20		7766	6557	40	0.85	GS109R79			0.23		6832	5769	40	0.95	GSF109R79								GSA109R79						GSAF109R79																																																																																																																																																																																																																																																																																																																																																																				
10	145	134.40	10	2.20	GSAF69	6P	2.7	576	499	15	1.70																																																																																																																																																																																																																																																																																																																																																																																																																																																																																																																																																																																																																																											
11	132	121.33	10	2.30			12	118	106.75	10	2.40					4.2	275	201.00	6.7	0.95			GS59		4P	2.4	585	543	7.0			0.90			4.6	257	184.80	6.9	1.00	GSF59	5.4	221	158.12	7.1	1.20	GSA59		6.2	198	137.05	7.3	1.35				GSAF59	6.6	185	128.10	7.4	1.35				6P	2.8	495	469	8.1	1.00			6.6	194	201.00	7.3	1.40		7.2	180	184.80	7.4	1.45			8.4	158	158.12	7.5	1.55			GS59		9.7	140	137.05	7.6	1.60			GSF59	4P	3.1	446	424	8.5	1.10			10	131	128.10	7.6	1.65	GSA59	12	116	110.73	7.7	1.75	GSAF59		14	100	94.08	7.8	1.85					16	91	84.00	7.8	1.95				4P	3.6	396	365	8.9	1.30			6.6	194	201.00	4.9	0.80		7.2	178	184.80	4.9	0.85			8.4	157	158.12	5.1	1.00			GS49		9.7	136	137.05	5.2	1.10			GSF49	4P	4.2	342	319	9.3	1.40			10	129	128.10	5.2	1.20	GSA49	12	113	110.73	5.3	1.35	GSAF49		14	98	94.08	5.3	1.40					16	89	84.00	5.4	1.45				4P	4.7	302	281	9.5	1.50			0.20	7766	6557	40	0.85	GS109R79	0.23	6832	5769	40	0.95	GSF109R79									GSA109R79									GSAF109R79																																																																																																																																																																																																																																																																																																																																																																																								
12	118	106.75	10	2.40			4.2	275	201.00	6.7	0.95			GS59		4P	2.4	585	543	7.0			0.90				4.6	257	184.80	6.9	1.00	GSF59			5.4	221	158.12	7.1	1.20	GSA59	6.2	198	137.05	7.3	1.35	GSAF59		6.6	185	128.10	7.4	1.35				6P	2.8	495	469	8.1	1.00			6.6		194	201.00	7.3	1.40				7.2	180	184.80	7.4	1.45		8.4	158	158.12	7.5	1.55	GS59		9.7	140	137.05	7.6	1.60			GSF59	4P	3.1	446	424	8.5	1.10			10		131	128.10	7.6	1.65	GSA59			12	116	110.73	7.7	1.75	GSAF59	14	100	94.08	7.8	1.85			16	91	84.00	7.8	1.95				4P	3.6	396	365	8.9	1.30			6.6		194	201.00	4.9	0.80				7.2	178	184.80	4.9	0.85		8.4	157	158.12	5.1	1.00	GS49		9.7	136	137.05	5.2	1.10			GSF49	4P	4.2	342	319	9.3	1.40			10		129	128.10	5.2	1.20	GSA49			12	113	110.73	5.3	1.35	GSAF49	14	98	94.08	5.3	1.40			16	89	84.00	5.4	1.45				4P	4.7	302	281	9.5	1.50			0.20		7766	6557	40	0.85	GS109R79			0.23	6832	5769	40	0.95	GSF109R79						GSA109R79									GSAF109R79																																																																																																																																																																																																																																																																																																																																																																																																	
4.2	275	201.00	6.7	0.95	GS59		4P	2.4	585	543	7.0			0.90																																																																																																																																																																																																																																																																																																																																																																																																																																																																																																																																																																																																																																								
4.6	257	184.80	6.9	1.00	GSF59	5.4		221	158.12	7.1	1.20	GSA59	6.2	198				137.05	7.3	1.35	GSAF59	6.6	185				128.10	7.4	1.35		6P	2.8			495	469	8.1	1.00			6.6	194	201.00	7.3	1.40		7.2	180	184.80	7.4	1.45		8.4	158	158.12		7.5	1.55	GS59	9.7	140			137.05		7.6	1.60	GSF59	4P	3.1			446	424	8.5	1.10			10	131	128.10	7.6	1.65	GSA59	12	116	110.73	7.7	1.75	GSAF59	14	100	94.08		7.8	1.85		16	91			84.00		7.8	1.95		4P	3.6			396	365	8.9	1.30			6.6	194	201.00	4.9	0.80		7.2	178	184.80	4.9	0.85		8.4	157	158.12		5.1	1.00	GS49	9.7	136			137.05		5.2	1.10	GSF49	4P	4.2			342	319	9.3	1.40			10	129	128.10	5.2	1.20	GSA49	12	113	110.73	5.3	1.35	GSAF49	14	98	94.08		5.3	1.40		16	89			84.00		5.4	1.45		4P	4.7			302	281	9.5	1.50			0.20	7766	6557	40	0.85	GS109R79	0.23	6832	5769	40	0.95	GSF109R79							GSA109R79									GSAF109R79																																																																																																																																																																																																																																																																																																																																																																																																																										
5.4	221	158.12	7.1	1.20	GSA59	6.2		198	137.05	7.3	1.35	GSAF59	6.6	185				128.10	7.4	1.35		6P	2.8		495		469	8.1	1.00				6.6	194	201.00	7.3	1.40				7.2	180	184.80	7.4	1.45		8.4	158	158.12	7.5	1.55	GS59	9.7	140	137.05		7.6	1.60	GSF59	4P	3.1			446	424	8.5	1.10				10	131	128.10	7.6	1.65	GSA59			12	116	110.73	7.7	1.75	GSAF59	14	100	94.08	7.8	1.85		16	91	84.00		7.8	1.95		4P	3.6			396	365	8.9	1.30				6.6	194	201.00	4.9	0.80				7.2	178	184.80	4.9	0.85		8.4	157	158.12	5.1	1.00	GS49	9.7	136	137.05		5.2	1.10	GSF49	4P	4.2			342	319	9.3	1.40				10	129	128.10	5.2	1.20	GSA49			12	113	110.73	5.3	1.35	GSAF49	14	98	94.08	5.3	1.40		16	89	84.00		5.4	1.45		4P	4.7			302	281	9.5	1.50				0.20	7766	6557	40	0.85	GS109R79			0.23	6832	5769	40	0.95	GSF109R79						GSA109R79							GSAF109R79																																																																																																																																																																																																																																																																																																																																																																																																																																			
6.2	198	137.05	7.3	1.35	GSAF59	6.6		185	128.10	7.4	1.35		6P	2.8		495		469	8.1	1.00				6.6	194	201.00	7.3	1.40					7.2	180	184.80	7.4	1.45				8.4	158	158.12	7.5	1.55	GS59	9.7	140	137.05	7.6	1.60	GSF59	4P	3.1	446	424	8.5	1.10				10	131	128.10	7.6	1.65	GSA59				12	116	110.73	7.7	1.75	GSAF59			14	100	94.08	7.8	1.85		16	91	84.00	7.8	1.95		4P	3.6	396	365	8.9	1.30				6.6	194	201.00	4.9	0.80					7.2	178	184.80	4.9	0.85				8.4	157	158.12	5.1	1.00	GS49	9.7	136	137.05	5.2	1.10	GSF49	4P	4.2	342	319	9.3	1.40				10	129	128.10	5.2	1.20	GSA49				12	113	110.73	5.3	1.35	GSAF49			14	98	94.08	5.3	1.40		16	89	84.00	5.4	1.45		4P	4.7	302	281	9.5	1.50				0.20	7766	6557	40	0.85	GS109R79				0.23	6832	5769	40	0.95	GSF109R79								GSA109R79						GSAF109R79																																																																																																																																																																																																																																																																																																																																																																																																																																										
6.6	185	128.10	7.4	1.35		6P	2.8	495	469	8.1	1.00																																																																																																																																																																																																																																																																																																																																																																																																																																																																																																																																																																																																																																											
6.6	194	201.00	7.3	1.40			7.2	180	184.80	7.4	1.45					8.4	158	158.12	7.5	1.55				GS59	9.7	140	137.05	7.6	1.60		GSF59		4P	3.1	446	424	8.5	1.10			10	131	128.10	7.6	1.65	GSA59	12	116	110.73	7.7	1.75	GSAF59		14	100	94.08	7.8	1.85					16	91	84.00	7.8	1.95				4P	3.6	396	365	8.9	1.30			6.6	194	201.00	4.9	0.80		7.2	178	184.80	4.9	0.85			8.4	157	158.12	5.1	1.00				GS49	9.7	136	137.05	5.2	1.10		GSF49		4P	4.2	342	319	9.3	1.40			10	129	128.10	5.2	1.20	GSA49	12	113	110.73	5.3	1.35	GSAF49		14	98	94.08	5.3	1.40					16	89	84.00	5.4	1.45				4P	4.7	302	281	9.5	1.50			0.20	7766	6557	40	0.85	GS109R79	0.23	6832	5769	40	0.95	GSF109R79										GSA109R79							GSAF109R79																																																																																																																																																																																																																																																																																																																																																																																																																																																															
7.2	180	184.80	7.4	1.45			8.4	158	158.12	7.5	1.55				GS59	9.7	140	137.05	7.6	1.60		GSF59		4P	3.1	446	424	8.5	1.10			10		131	128.10	7.6	1.65	GSA59			12	116	110.73	7.7	1.75	GSAF59	14	100	94.08	7.8	1.85			16	91	84.00	7.8	1.95				4P	3.6	396	365	8.9	1.30			6.6		194	201.00	4.9	0.80				7.2	178	184.80	4.9	0.85		8.4	157	158.12	5.1	1.00	GS49		9.7	136	137.05	5.2	1.10		GSF49		4P	4.2	342	319	9.3	1.40			10		129	128.10	5.2	1.20	GSA49			12	113	110.73	5.3	1.35	GSAF49	14	98	94.08	5.3	1.40			16	89	84.00	5.4	1.45				4P	4.7	302	281	9.5	1.50			0.20		7766	6557	40	0.85	GS109R79			0.23	6832	5769	40	0.95	GSF109R79						GSA109R79								GSAF109R79																																																																																																																																																																																																																																																																																																																																																																																																																																																																								
8.4	158	158.12	7.5	1.55	GS59		9.7	140	137.05	7.6	1.60		GSF59		4P	3.1	446	424	8.5	1.10			10		131	128.10	7.6	1.65	GSA59			12		116	110.73	7.7	1.75	GSAF59			14	100	94.08	7.8	1.85		16	91	84.00	7.8	1.95		4P	3.6	396	365	8.9	1.30			6.6		194	201.00	4.9	0.80				7.2		178	184.80	4.9	0.85				8.4	157	158.12	5.1	1.00	GS49	9.7	136	137.05	5.2	1.10	GSF49	4P	4.2	342	319	9.3	1.40			10		129	128.10	5.2	1.20	GSA49			12		113	110.73	5.3	1.35	GSAF49			14	98	94.08	5.3	1.40		16	89	84.00	5.4	1.45		4P	4.7	302	281	9.5	1.50			0.20		7766	6557	40	0.85	GS109R79			0.23		6832	5769	40	0.95	GSF109R79								GSA109R79						GSAF109R79																																																																																																																																																																																																																																																																																																																																																																																																																																																																																
9.7	140	137.05	7.6	1.60	GSF59	4P	3.1	446	424	8.5	1.10																																																																																																																																																																																																																																																																																																																																																																																																																																																																																																																																																																																																																																											
10	131	128.10	7.6	1.65	GSA59		12	116	110.73	7.7	1.75			GSAF59		14	100	94.08	7.8	1.85					16	91	84.00	7.8	1.95				4P	3.6	396	365	8.9	1.30			6.6	194	201.00	4.9	0.80		7.2	178	184.80	4.9	0.85			8.4	157	158.12	5.1	1.00			GS49		9.7	136	137.05	5.2	1.10			GSF49	4P	4.2	342	319	9.3	1.40			10	129	128.10	5.2	1.20	GSA49	12	113	110.73	5.3	1.35	GSAF49		14	98	94.08	5.3	1.40					16	89	84.00	5.4	1.45				4P	4.7	302	281	9.5	1.50			0.20	7766	6557	40	0.85	GS109R79	0.23	6832	5769	40	0.95	GSF109R79									GSA109R79									GSAF109R79																																																																																																																																																																																																																																																																																																																																																																																																																																																																																																				
12	116	110.73	7.7	1.75	GSAF59		14	100	94.08	7.8	1.85					16	91	84.00	7.8	1.95				4P	3.6	396	365	8.9	1.30			6.6		194	201.00	4.9	0.80				7.2	178	184.80	4.9	0.85		8.4	157	158.12	5.1	1.00	GS49		9.7	136	137.05	5.2	1.10			GSF49	4P	4.2	342	319	9.3	1.40			10		129	128.10	5.2	1.20	GSA49			12	113	110.73	5.3	1.35	GSAF49	14	98	94.08	5.3	1.40			16	89	84.00	5.4	1.45				4P	4.7	302	281	9.5	1.50			0.20		7766	6557	40	0.85	GS109R79			0.23	6832	5769	40	0.95	GSF109R79						GSA109R79									GSAF109R79																																																																																																																																																																																																																																																																																																																																																																																																																																																																																																													
14	100	94.08	7.8	1.85			16	91	84.00	7.8	1.95				4P	3.6	396	365	8.9	1.30			6.6		194	201.00	4.9	0.80				7.2		178	184.80	4.9	0.85				8.4	157	158.12	5.1	1.00	GS49	9.7	136	137.05	5.2	1.10	GSF49	4P	4.2	342	319	9.3	1.40			10		129	128.10	5.2	1.20	GSA49			12		113	110.73	5.3	1.35	GSAF49			14	98	94.08	5.3	1.40		16	89	84.00	5.4	1.45		4P	4.7	302	281	9.5	1.50			0.20		7766	6557	40	0.85	GS109R79			0.23		6832	5769	40	0.95	GSF109R79								GSA109R79						GSAF109R79																																																																																																																																																																																																																																																																																																																																																																																																																																																																																																																						
16	91	84.00	7.8	1.95		4P	3.6	396	365	8.9	1.30																																																																																																																																																																																																																																																																																																																																																																																																																																																																																																																																																																																																																																											
6.6	194	201.00	4.9	0.80			7.2	178	184.80	4.9	0.85					8.4	157	158.12	5.1	1.00			GS49		9.7	136	137.05	5.2	1.10			GSF49	4P	4.2	342	319	9.3	1.40			10	129	128.10	5.2	1.20	GSA49	12	113	110.73	5.3	1.35	GSAF49		14	98	94.08	5.3	1.40					16	89	84.00	5.4	1.45				4P	4.7	302	281	9.5	1.50			0.20	7766	6557	40	0.85	GS109R79	0.23	6832	5769	40	0.95	GSF109R79									GSA109R79									GSAF109R79																																																																																																																																																																																																																																																																																																																																																																																																																																																																																																																																										
7.2	178	184.80	4.9	0.85			8.4	157	158.12	5.1	1.00			GS49		9.7	136	137.05	5.2	1.10			GSF49	4P	4.2	342	319	9.3	1.40			10		129	128.10	5.2	1.20	GSA49			12	113	110.73	5.3	1.35	GSAF49	14	98	94.08	5.3	1.40			16	89	84.00	5.4	1.45				4P	4.7	302	281	9.5	1.50			0.20		7766	6557	40	0.85	GS109R79			0.23	6832	5769	40	0.95	GSF109R79						GSA109R79									GSAF109R79																																																																																																																																																																																																																																																																																																																																																																																																																																																																																																																																																			
8.4	157	158.12	5.1	1.00	GS49		9.7	136	137.05	5.2	1.10			GSF49	4P	4.2	342	319	9.3	1.40			10		129	128.10	5.2	1.20	GSA49			12		113	110.73	5.3	1.35	GSAF49			14	98	94.08	5.3	1.40		16	89	84.00	5.4	1.45		4P	4.7	302	281	9.5	1.50			0.20		7766	6557	40	0.85	GS109R79			0.23		6832	5769	40	0.95	GSF109R79								GSA109R79						GSAF109R79																																																																																																																																																																																																																																																																																																																																																																																																																																																																																																																																																												
9.7	136	137.05	5.2	1.10	GSF49	4P	4.2	342	319	9.3	1.40																																																																																																																																																																																																																																																																																																																																																																																																																																																																																																																																																																																																																																											
10	129	128.10	5.2	1.20	GSA49		12	113	110.73	5.3	1.35			GSAF49		14	98	94.08	5.3	1.40					16	89	84.00	5.4	1.45				4P	4.7	302	281	9.5	1.50			0.20	7766	6557	40	0.85	GS109R79	0.23	6832	5769	40	0.95	GSF109R79									GSA109R79									GSAF109R79																																																																																																																																																																																																																																																																																																																																																																																																																																																																																																																																																																																
12	113	110.73	5.3	1.35	GSAF49		14	98	94.08	5.3	1.40					16	89	84.00	5.4	1.45				4P	4.7	302	281	9.5	1.50			0.20		7766	6557	40	0.85	GS109R79			0.23	6832	5769	40	0.95	GSF109R79						GSA109R79									GSAF109R79																																																																																																																																																																																																																																																																																																																																																																																																																																																																																																																																																																																									
14	98	94.08	5.3	1.40			16	89	84.00	5.4	1.45				4P	4.7	302	281	9.5	1.50			0.20		7766	6557	40	0.85	GS109R79			0.23		6832	5769	40	0.95	GSF109R79								GSA109R79						GSAF109R79																																																																																																																																																																																																																																																																																																																																																																																																																																																																																																																																																																																																		
16	89	84.00	5.4	1.45		4P	4.7	302	281	9.5	1.50																																																																																																																																																																																																																																																																																																																																																																																																																																																																																																																																																																																																																																											
0.20	7766	6557	40	0.85	GS109R79		0.23	6832	5769	40	0.95			GSF109R79									GSA109R79									GSAF109R79																																																																																																																																																																																																																																																																																																																																																																																																																																																																																																																																																																																																																						
0.23	6832	5769	40	0.95	GSF109R79									GSA109R79									GSAF109R79																																																																																																																																																																																																																																																																																																																																																																																																																																																																																																																																																																																																																															
					GSA109R79									GSAF109R79																																																																																																																																																																																																																																																																																																																																																																																																																																																																																																																																																																																																																																								
					GSAF109R79																																																																																																																																																																																																																																																																																																																																																																																																																																																																																																																																																																																																																																																	

选型参数表
(恒功率)
Selection Table
(Constant Power)

n_a [r/min]	M_a [N.m]	i	F_{Ra} [kN]	f_B	机型号 Type size	极数 Pole	n_a [r/min]	M_a [N.m]	i	F_{Ra} [kN]	f_B	机型号 Type size	极数 Pole																																																																																																																																																																																																																																																																																																																																															
0.25kW							0.37kW																																																																																																																																																																																																																																																																																																																																																					
19	77	71.75	5.4	1.55	GS49 GSF49 GSA49 GSAF49	4P	2.9	662	225.26	14	1.65	GS79 GSF79 GSA79 GSAF79	8P																																																																																																																																																																																																																																																																																																																																															
19	87	69.39	5.4	1.40			20	72	67.20	5.5	1.60			21	81	63.80	5.4	1.45	24	70	54.59	5.4	1.55	28	61	47.32	5.5	1.65	13	97	98.80	2.8	0.85	15	86	86.36	2.8	0.90	16	82	80.96	2.8	0.95	19	73	71.44	2.8	1.00	21	66	63.33	2.8	1.05	24	70	55.93	2.8	1.05	26	65	51.30	2.8	1.05	30	56	43.68	2.8	1.15	35	49	37.66	2.8	1.20	38	46	35.10	2.8	1.20	43	41	30.68	2.8	1.30	46	38	28.76	2.8	1.30	52	33	25.38	2.8	1.40	59	30	22.50	2.8	1.45	70	29	19.13	2.7	1.60	71	26	18.85	2.7	1.50	81	23	16.48	2.6	1.60	86	20	15.45	2.6	1.65	98	18	13.63	2.5	1.70	110	16	12.08	2.4	1.80	130	15	10.27	2.3	1.85	95	19	28.76	2.6	1.70	107	17	25.38	2.5	1.75	121	15	22.50	2.4	1.85	142	14	19.13	2.3	1.95	144	14	18.85	2.2	1.90	165	12	16.48	2.2	2.00	176	12	15.45	2.1	2.05	200	10	13.63	2.1	2.15	225	8	12.08	2.0	2.20	0.37kW							0.37kW							0.31	7586	4328	40	0.85	GS109R79 GSF109R79 GSA109R79 GSAF109R79	4P	10	189	137.05	4.9	0.80	GS59 GSF59 GSA59 GSAF59	4P	0.65	2574	2054	24	1.00	GS89R59 GSF89R59 GSA89R59 GSAF89R59	4P	10	179	128.10	4.9	0.85	0.73	2286	1824	26	1.10	GS79R39 GSF79R39 GSA79R39 GSAF79R39	4P	12	158	110.73	5.1	0.95	0.82	2043	1631	27	1.20	1.4	1206	930	28	1.70	1.6	1089	831	28	1.75	1.9	1179	714	11	1.00	GS69R39 GSF69R39 GSA69R39 GSAF69R39	4P	21	113	63.80	5.2	1.20	2.1	1053	637	12	1.15	2.3	954	574	13	1.25	2.7	819	499	14	1.35	3.0	720	438	14	1.50	3.4	639	389	15	1.60	3.6	563	365	7.3	0.85	4.2	491	319	8.1	1.00	4.7	432	281	8.6	1.10	5.4	387	246	9.0	1.25	2.3	882	288.00	28	2.00	GS89 GSF89 GSA89 GSAF89	8P	21	93	63.33	2.8	0.85	2.6	801	258.18	28	2.10	3.0	698	222.40	28	2.25	26	91	51.30	2.8	0.85	30	78	43.68	2.8	0.95	35	68	37.66	2.8	1.00	38	64	35.10	2.8	1.00				
20	72	67.20	5.5	1.60			21	81	63.80	5.4	1.45			24	70	54.59	5.4	1.55	28	61	47.32	5.5	1.65	13	97	98.80	2.8	0.85	15	86	86.36	2.8	0.90	16	82	80.96	2.8	0.95	19	73	71.44	2.8	1.00	21	66	63.33	2.8	1.05	24	70	55.93	2.8	1.05	26	65	51.30	2.8	1.05	30	56	43.68	2.8	1.15	35	49	37.66	2.8	1.20	38	46	35.10	2.8	1.20	43	41	30.68	2.8	1.30	46	38	28.76	2.8	1.30	52	33	25.38	2.8	1.40	59	30	22.50	2.8	1.45	70	29	19.13	2.7	1.60	71	26	18.85	2.7	1.50	81	23	16.48	2.6	1.60	86	20	15.45	2.6	1.65	98	18	13.63	2.5	1.70	110	16	12.08	2.4	1.80	130	15	10.27	2.3	1.85	95	19	28.76	2.6	1.70	107	17	25.38	2.5	1.75	121	15	22.50	2.4	1.85	142	14	19.13	2.3	1.95	144	14	18.85	2.2	1.90	165	12	16.48	2.2	2.00	176	12	15.45	2.1	2.05	200	10	13.63	2.1	2.15	225	8	12.08	2.0	2.20	0.37kW							0.37kW							0.31	7586	4328	40	0.85	GS109R79 GSF109R79 GSA109R79 GSAF109R79	4P	10	189	137.05	4.9	0.80	GS59 GSF59 GSA59 GSAF59	4P	0.65	2574	2054			24	1.00	GS89R59 GSF89R59 GSA89R59 GSAF89R59	4P	10	179	128.10	4.9	0.85	0.73	2286	1824	26	1.10	GS79R39 GSF79R39 GSA79R39 GSAF79R39	4P	12			158	110.73	5.1	0.95	0.82	2043	1631	27	1.20	1.4	1206	930	28	1.70	1.6	1089	831	28	1.75	1.9	1179	714	11	1.00	GS69R39 GSF69R39 GSA69R39 GSAF69R39			4P	21	113	63.80	5.2	1.20	2.1	1053	637	12	1.15	2.3	954	574	13	1.25	2.7	819	499	14	1.35	3.0	720	438	14	1.50	3.4	639	389	15	1.60	3.6	563	365	7.3	0.85	4.2	491	319	8.1	1.00	4.7	432	281	8.6	1.10	5.4	387	246	9.0	1.25	2.3	882	288.00	28			2.00	GS89 GSF89 GSA89 GSAF89	8P	21	93	63.33	2.8	0.85	2.6	801	258.18	28	2.10	3.0	698	222.40	28	2.25	26	91	51.30	2.8	0.85	30	78	43.68	2.8	0.95	35	68	37.66	2.8	1.00	38	64	35.10	2.8	1.00	
21	81	63.80	5.4	1.45			24	70	54.59	5.4	1.55			28	61	47.32	5.5	1.65	13	97	98.80	2.8	0.85	15	86	86.36	2.8	0.90	16	82	80.96	2.8	0.95	19	73	71.44	2.8	1.00	21	66	63.33	2.8	1.05	24	70	55.93	2.8	1.05	26	65	51.30	2.8	1.05	30	56	43.68	2.8	1.15	35	49	37.66	2.8	1.20	38	46	35.10	2.8	1.20	43	41	30.68	2.8	1.30	46	38	28.76	2.8	1.30	52	33	25.38	2.8	1.40	59	30	22.50	2.8	1.45	70	29	19.13	2.7	1.60	71	26	18.85	2.7	1.50	81	23	16.48	2.6	1.60	86	20	15.45	2.6	1.65	98	18	13.63	2.5	1.70	110	16	12.08	2.4	1.80	130	15	10.27	2.3	1.85	95	19	28.76	2.6	1.70	107	17	25.38	2.5	1.75	121	15	22.50	2.4	1.85	142	14	19.13	2.3	1.95	144	14	18.85	2.2	1.90	165	12	16.48	2.2	2.00	176	12	15.45	2.1	2.05	200	10	13.63	2.1	2.15	225	8	12.08	2.0	2.20	0.37kW							0.37kW							0.31	7586	4328	40	0.85	GS109R79 GSF109R79 GSA109R79 GSAF109R79	4P	10	189	137.05	4.9	0.80	GS59 GSF59 GSA59 GSAF59	4P	0.65	2574	2054			24	1.00	GS89R59 GSF89R59 GSA89R59 GSAF89R59			4P	10	179	128.10	4.9	0.85	0.73	2286	1824	26	1.10	GS79R39 GSF79R39 GSA79R39 GSAF79R39	4P	12			158			110.73	5.1	0.95	0.82	2043	1631	27	1.20	1.4	1206	930	28	1.70	1.6	1089	831	28	1.75	1.9	1179	714	11	1.00	GS69R39 GSF69R39 GSA69R39 GSAF69R39					4P	21	113	63.80	5.2	1.20	2.1	1053	637	12	1.15	2.3	954	574	13	1.25	2.7	819	499	14	1.35	3.0	720	438	14	1.50	3.4	639	389	15	1.60	3.6	563	365	7.3	0.85	4.2	491	319	8.1	1.00	4.7	432	281	8.6	1.10	5.4	387	246	9.0	1.25	2.3	882	288.00			28			2.00	GS89 GSF89 GSA89 GSAF89	8P	21	93	63.33	2.8	0.85	2.6	801	258.18	28	2.10	3.0	698	222.40	28	2.25	26	91	51.30	2.8	0.85	30	78	43.68	2.8	0.95	35	68	37.66	2.8	1.00	38	64	35.10
24	70	54.59	5.4	1.55			28	61	47.32	5.5	1.65	13	97	98.80	2.8	0.85	15	86	86.36	2.8	0.90	16	82	80.96	2.8	0.95	19	73	71.44	2.8	1.00	21	66	63.33	2.8	1.05	24	70	55.93	2.8	1.05	26	65	51.30	2.8	1.05	30	56	43.68	2.8	1.15	35	49	37.66	2.8	1.20	38	46	35.10	2.8	1.20	43	41	30.68	2.8	1.30	46	38	28.76	2.8	1.30	52	33	25.38	2.8	1.40	59	30	22.50	2.8	1.45	70	29	19.13	2.7	1.60	71	26	18.85	2.7	1.50	81	23	16.48	2.6	1.60	86	20	15.45	2.6	1.65	98	18	13.63	2.5	1.70	110	16	12.08	2.4	1.80	130	15	10.27	2.3	1.85	95	19	28.76	2.6	1.70	107	17	25.38	2.5	1.75	121	15	22.50	2.4	1.85	142	14	19.13	2.3	1.95	144	14	18.85	2.2	1.90	165	12	16.48	2.2	2.00	176	12	15.45	2.1	2.05	200	10	13.63	2.1	2.15	225	8	12.08	2.0	2.20	0.37kW							0.37kW							0.31	7586	4328	40	0.85	GS109R79 GSF109R79 GSA109R79 GSAF109R79	4P	10	189	137.05	4.9	0.80	GS59 GSF59 GSA59 GSAF59	4P	0.65	2574	2054	24	1.00			GS89R59 GSF89R59 GSA89R59 GSAF89R59	4P	10			179	128.10	4.9			0.85	0.73	2286	1824	26	1.10	GS79R39 GSF79R39 GSA79R39 GSAF79R39	4P	12	158	110.73			5.1			0.95			0.82	2043	1631	27	1.20	1.4	1206	930	28	1.70	1.6	1089	831	28	1.75	1.9	1179	714	11	1.00	GS69R39 GSF69R39 GSA69R39 GSAF69R39	4P	21							113	63.80	5.2	1.20	2.1	1053	637	12	1.15	2.3	954	574	13	1.25	2.7	819	499	14	1.35	3.0	720	438	14	1.50	3.4	639	389	15	1.60	3.6	563	365	7.3	0.85	4.2	491	319	8.1	1.00	4.7	432	281	8.6	1.10	5.4	387	246	9.0	1.25	2.3	882	288.00	28			2.00			GS89 GSF89 GSA89 GSAF89			8P	21	93	63.33	2.8	0.85	2.6	801	258.18	28	2.10	3.0	698	222.40	28	2.25	26	91	51.30	2.8	0.85	30	78	43.68	2.8	0.95	35	68	37.66	2.8	1.00	38	64
28	61	47.32	5.5	1.65	13	97	98.80	2.8	0.85	15	86	86.36	2.8	0.90	16	82	80.96	2.8	0.95	19	73	71.44	2.8	1.00	21	66	63.33	2.8	1.05	24	70	55.93	2.8	1.05	26	65	51.30	2.8	1.05	30	56	43.68	2.8	1.15	35	49	37.66	2.8	1.20	38	46	35.10	2.8	1.20	43	41	30.68	2.8	1.30	46	38	28.76	2.8	1.30	52	33	25.38	2.8	1.40	59	30	22.50	2.8	1.45	70	29	19.13	2.7	1.60	71	26	18.85	2.7	1.50	81	23	16.48	2.6	1.60	86	20	15.45	2.6	1.65	98	18	13.63	2.5	1.70	110	16	12.08	2.4	1.80	130	15	10.27	2.3	1.85	95	19	28.76	2.6	1.70	107	17	25.38	2.5	1.75	121	15	22.50	2.4	1.85	142	14	19.13	2.3	1.95	144	14	18.85	2.2	1.90	165	12	16.48	2.2	2.00	176	12	15.45	2.1	2.05	200	10	13.63	2.1	2.15	225	8	12.08	2.0	2.20	0.37kW							0.37kW							0.31	7586	4328	40	0.85	GS109R79 GSF109R79 GSA109R79 GSAF109R79	4P	10	189	137.05	4.9	0.80	GS59 GSF59 GSA59 GSAF59	4P	0.65	2574	2054	24	1.00			GS89R59 GSF89R59 GSA89R59 GSAF89R59	4P	10	179	128.10			4.9	0.85	0.73			2286	1824	26			1.10	GS79R39 GSF79R39 GSA79R39 GSAF79R39	4P	12	158	110.73			5.1	0.95	0.82			2043			1631	27	1.20	1.4	1206	930	28	1.70	1.6	1089	831	28	1.75	1.9	1179	714	11	1.00	GS69R39 GSF69R39 GSA69R39 GSAF69R39	4P	21	113	63.80			5.2							1.20	2.1	1053	637	12	1.15	2.3	954	574	13	1.25	2.7	819	499	14	1.35	3.0	720	438	14	1.50	3.4	639	389	15	1.60	3.6	563	365	7.3	0.85	4.2	491	319	8.1	1.00	4.7	432	281	8.6	1.10	5.4	387	246	9.0	1.25	2.3	882	288.00	28	2.00	GS89 GSF89 GSA89 GSAF89	8P	21	93	63.33							2.8	0.85	2.6	801	258.18	28	2.10	3.0	698	222.40	28	2.25	26	91	51.30	2.8	0.85	30	78	43.68	2.8	0.95	35	68	37.66	2.8	1.00	38	64	35.10	2.8	1.00
13	97	98.80	2.8	0.85	15	86	86.36	2.8	0.90	16	82	80.96	2.8	0.95	19	73	71.44	2.8	1.00	21	66	63.33	2.8	1.05	24	70	55.93	2.8	1.05	26	65	51.30	2.8	1.05	30	56	43.68	2.8	1.15	35	49	37.66	2.8	1.20	38	46	35.10	2.8	1.20	43	41	30.68	2.8	1.30	46	38	28.76	2.8	1.30	52	33	25.38	2.8	1.40	59	30	22.50	2.8	1.45	70	29	19.13	2.7	1.60	71	26	18.85	2.7	1.50	81	23	16.48	2.6	1.60	86	20	15.45	2.6	1.65	98	18	13.63	2.5	1.70	110	16	12.08	2.4	1.80	130	15	10.27	2.3	1.85	95	19	28.76	2.6	1.70	107	17	25.38	2.5	1.75	121	15	22.50	2.4	1.85	142	14	19.13	2.3	1.95	144	14	18.85	2.2	1.90	165	12	16.48	2.2	2.00	176	12	15.45	2.1	2.05	200	10	13.63	2.1	2.15	225	8	12.08	2.0	2.20	0.37kW							0.37kW							0.31	7586	4328	40	0.85	GS109R79 GSF109R79 GSA109R79 GSAF109R79	4P	10	189	137.05	4.9	0.80	GS59 GSF59 GSA59 GSAF59	4P	0.65	2574	2054			24	1.00	GS89R59 GSF89R59 GSA89R59 GSAF89R59	4P	10			179	128.10	4.9	0.85	0.73			2286	1824	26			1.10	GS79R39 GSF79R39 GSA79R39 GSAF79R39	4P			12			158	110.73	5.1			0.95	0.82	2043			1631	27	1.20	1.4	1206	930	28	1.70	1.6	1089	831	28	1.75	1.9	1179	714	11	1.00	GS69R39 GSF69R39 GSA69R39 GSAF69R39	4P	21			113	63.80	5.2			1.20							2.1	1053	637	12	1.15	2.3	954	574	13	1.25	2.7	819	499	14	1.35	3.0	720	438	14	1.50	3.4	639	389	15	1.60	3.6	563	365	7.3	0.85	4.2	491	319	8.1	1.00	4.7	432	281	8.6	1.10	5.4	387	246	9.0	1.25	2.3	882	288.00	28	2.00	GS89 GSF89 GSA89 GSAF89			8P	21	93	63.33	2.8					0.85	2.6	801	258.18	28	2.10	3.0	698	222.40	28	2.25	26	91	51.30	2.8	0.85	30	78	43.68	2.8	0.95	35	68	37.66	2.8	1.00	38	64	35.10	2.8	1.00	
15	86	86.36	2.8	0.90	16	82	80.96	2.8	0.95	19	73	71.44	2.8	1.00	21	66	63.33	2.8	1.05	24	70	55.93	2.8	1.05	26	65	51.30	2.8	1.05	30	56	43.68	2.8	1.15	35	49	37.66	2.8	1.20	38	46	35.10	2.8	1.20	43	41	30.68	2.8	1.30	46	38	28.76	2.8	1.30	52	33	25.38	2.8	1.40	59	30	22.50	2.8	1.45	70	29	19.13	2.7	1.60	71	26	18.85	2.7	1.50	81	23	16.48	2.6	1.60	86	20	15.45	2.6	1.65	98	18	13.63	2.5	1.70	110	16	12.08	2.4	1.80	130	15	10.27	2.3	1.85	95	19	28.76	2.6	1.70	107	17	25.38	2.5	1.75	121	15	22.50	2.4	1.85	142	14	19.13	2.3	1.95	144	14	18.85	2.2	1.90	165	12	16.48	2.2	2.00	176	12	15.45	2.1	2.05	200	10	13.63	2.1	2.15	225	8	12.08	2.0	2.20	0.37kW							0.37kW							0.31	7586	4328	40	0.85	GS109R79 GSF109R79 GSA109R79 GSAF109R79	4P	10	189	137.05	4.9	0.80	GS59 GSF59 GSA59 GSAF59	4P	0.65	2574	2054			24	1.00	GS89R59 GSF89R59 GSA89R59 GSAF89R59			4P	10	179	128.10	4.9			0.85	0.73	2286	1824	26			1.10	GS79R39 GSF79R39 GSA79R39 GSAF79R39	4P			12					158			110.73	5.1	0.95			0.82	2043	1631	27	1.20	1.4	1206	930	28	1.70	1.6	1089	831	28	1.75	1.9	1179	714	11	1.00	GS69R39 GSF69R39 GSA69R39 GSAF69R39	4P	21			113			63.80	5.2	1.20			2.1							1053	637	12	1.15	2.3	954	574	13	1.25	2.7	819	499	14	1.35	3.0	720	438	14	1.50	3.4	639	389	15	1.60	3.6	563	365	7.3	0.85	4.2	491	319	8.1	1.00	4.7	432	281	8.6	1.10	5.4	387	246	9.0	1.25	2.3	882	288.00	28	2.00	GS89 GSF89 GSA89 GSAF89					8P	21	93	63.33		2.8	0.85		2.6	801	258.18	28	2.10	3.0	698	222.40	28	2.25	26	91	51.30	2.8	0.85	30	78	43.68	2.8	0.95	35	68	37.66	2.8	1.00	38	64	35.10	2.8	1.00		
16	82	80.96	2.8	0.95	19	73	71.44	2.8	1.00	21	66	63.33	2.8	1.05	24	70	55.93	2.8	1.05	26	65	51.30	2.8	1.05	30	56	43.68	2.8	1.15	35	49	37.66	2.8	1.20	38	46	35.10	2.8	1.20	43	41	30.68	2.8	1.30	46	38	28.76	2.8	1.30	52	33	25.38	2.8	1.40	59	30	22.50	2.8	1.45	70	29	19.13	2.7	1.60	71	26	18.85	2.7	1.50	81	23	16.48	2.6	1.60	86	20	15.45	2.6	1.65	98	18	13.63	2.5	1.70	110	16	12.08	2.4	1.80	130	15	10.27	2.3	1.85	95	19	28.76	2.6	1.70	107	17	25.38	2.5	1.75	121	15	22.50	2.4	1.85	142	14	19.13	2.3	1.95	144	14	18.85	2.2	1.90	165	12	16.48	2.2	2.00	176	12	15.45	2.1	2.05	200	10	13.63	2.1	2.15	225	8	12.08	2.0	2.20	0.37kW							0.37kW							0.31	7586	4328	40	0.85	GS109R79 GSF109R79 GSA109R79 GSAF109R79	4P	10	189	137.05	4.9	0.80	GS59 GSF59 GSA59 GSAF59	4P	0.65	2574	2054			24	1.00	GS89R59 GSF89R59 GSA89R59 GSAF89R59			4P	10	179			128.10	4.9	0.85	0.73	2286			1824	26	1.10	GS79R39 GSF79R39 GSA79R39 GSAF79R39	4P			12					158					110.73			5.1	0.95	0.82	2043	1631	27	1.20	1.4	1206	930	28	1.70	1.6	1089	831	28	1.75	1.9	1179	714	11	1.00	GS69R39 GSF69R39 GSA69R39 GSAF69R39	4P	21			113			63.80			5.2	1.20	2.1			1053							637	12	1.15	2.3	954	574	13	1.25	2.7	819	499	14	1.35	3.0	720	438	14	1.50	3.4	639	389	15	1.60	3.6	563	365	7.3	0.85	4.2	491	319	8.1	1.00	4.7	432	281	8.6	1.10	5.4	387	246	9.0	1.25	2.3	882	288.00	28	2.00	GS89 GSF89 GSA89 GSAF89							8P	21	93	63.33	2.8	0.85	2.6	801	258.18	28	2.10	3.0	698	222.40	28	2.25	26	91	51.30	2.8	0.85	30	78	43.68	2.8	0.95	35	68	37.66	2.8	1.00	38	64	35.10	2.8	1.00			
19	73	71.44	2.8	1.00	21	66	63.33	2.8	1.05	24	70	55.93	2.8	1.05	26	65	51.30	2.8	1.05	30	56	43.68	2.8	1.15	35	49	37.66	2.8	1.20	38	46	35.10	2.8	1.20	43	41	30.68	2.8	1.30	46	38	28.76	2.8	1.30	52	33	25.38	2.8	1.40	59	30	22.50	2.8	1.45	70	29	19.13	2.7	1.60	71	26	18.85	2.7	1.50	81	23	16.48	2.6	1.60	86	20	15.45	2.6	1.65	98	18	13.63	2.5	1.70	110	16	12.08	2.4	1.80	130	15	10.27	2.3	1.85	95	19	28.76	2.6	1.70	107	17	25.38	2.5	1.75	121	15	22.50	2.4	1.85	142	14	19.13	2.3	1.95	144	14	18.85	2.2	1.90	165	12	16.48	2.2	2.00	176	12	15.45	2.1	2.05	200	10	13.63	2.1	2.15	225	8	12.08	2.0	2.20	0.37kW							0.37kW							0.31	7586	4328	40	0.85	GS109R79 GSF109R79 GSA109R79 GSAF109R79	4P	10	189	137.05	4.9	0.80	GS59 GSF59 GSA59 GSAF59	4P	0.65	2574	2054			24	1.00	GS89R59 GSF89R59 GSA89R59 GSAF89R59			4P	10	179			128.10	4.9	0.85			0.73	2286	1824	26	1.10			GS79R39 GSF79R39 GSA79R39 GSAF79R39	4P	12					158					110.73					5.1	0.95	0.82	2043	1631	27	1.20	1.4	1206	930	28	1.70	1.6	1089	831	28	1.75	1.9	1179	714	11	1.00	GS69R39 GSF69R39 GSA69R39 GSAF69R39	4P	21			113			63.80			5.2			1.20	2.1	1053			637			12	1.15			2.3	954	574	13	1.25	2.7	819	499	14	1.35	3.0	720	438	14	1.50	3.4	639	389	15	1.60	3.6	563	365	7.3	0.85	4.2	491	319	8.1	1.00	4.7	432	281	8.6	1.10	5.4	387	246	9.0	1.25	2.3	882	288.00	28	2.00	GS89 GSF89 GSA89 GSAF89	8P	21				93	63.33				2.8	0.85	2.6	801	258.18	28	2.10	3.0	698	222.40	28	2.25	26	91	51.30	2.8	0.85	30	78	43.68	2.8	0.95	35	68	37.66	2.8	1.00	38	64	35.10	2.8	1.00						
21	66	63.33	2.8	1.05	24	70	55.93	2.8	1.05	26	65	51.30	2.8	1.05	30	56	43.68	2.8	1.15	35	49	37.66	2.8	1.20	38	46	35.10	2.8	1.20	43	41	30.68	2.8	1.30	46	38	28.76	2.8	1.30	52	33	25.38	2.8	1.40	59	30	22.50	2.8	1.45	70	29	19.13	2.7	1.60	71	26	18.85	2.7	1.50	81	23	16.48	2.6	1.60	86	20	15.45	2.6	1.65	98	18	13.63	2.5	1.70	110	16	12.08	2.4	1.80	130	15	10.27	2.3	1.85	95	19	28.76	2.6	1.70	107	17	25.38	2.5	1.75	121	15	22.50	2.4	1.85	142	14	19.13	2.3	1.95	144	14	18.85	2.2	1.90	165	12	16.48	2.2	2.00	176	12	15.45	2.1	2.05	200	10	13.63	2.1	2.15	225	8	12.08	2.0	2.20	0.37kW							0.37kW							0.31	7586	4328	40	0.85	GS109R79 GSF109R79 GSA109R79 GSAF109R79	4P	10	189	137.05	4.9	0.80	GS59 GSF59 GSA59 GSAF59	4P	0.65	2574	2054			24	1.00	GS89R59 GSF89R59 GSA89R59 GSAF89R59			4P	10	179			128.10	4.9	0.85			0.73	2286	1824			26	1.10	GS79R39 GSF79R39 GSA79R39 GSAF79R39	4P	12					158					110.73					5.1	0.95	0.82			2043	1631	27	1.20	1.4	1206	930	28	1.70	1.6	1089	831	28	1.75	1.9	1179	714	11	1.00	GS69R39 GSF69R39 GSA69R39 GSAF69R39	4P	21			113			63.80			5.2			1.20			2.1	1053	637			12		1.15	2.3	954	574		13	1.25	2.7	819	499	14	1.35	3.0	720	438	14	1.50	3.4	639	389	15	1.60	3.6	563	365	7.3	0.85	4.2	491	319	8.1	1.00	4.7	432	281	8.6	1.10	5.4	387	246	9.0	1.25	2.3	882	288.00	28	2.00	GS89 GSF89 GSA89 GSAF89	8P	21			93			63.33	2.8	0.85	2.6			801	258.18	28	2.10	3.0	698	222.40	28	2.25	26	91	51.30	2.8	0.85	30	78	43.68	2.8	0.95	35	68	37.66	2.8	1.00	38	64	35.10	2.8	1.00									
24	70	55.93	2.8	1.05	26	65	51.30	2.8	1.05	30	56	43.68	2.8	1.15	35	49	37.66	2.8	1.20	38	46	35.10	2.8	1.20	43	41	30.68	2.8	1.30	46	38	28.76	2.8	1.30	52	33	25.38	2.8	1.40	59	30	22.50	2.8	1.45	70	29	19.13	2.7	1.60	71	26	18.85	2.7	1.50	81	23	16.48	2.6	1.60	86	20	15.45	2.6	1.65	98	18	13.63	2.5	1.70	110	16	12.08	2.4	1.80	130	15	10.27	2.3	1.85	95	19	28.76	2.6	1.70	107	17	25.38	2.5	1.75	121	15	22.50	2.4	1.85	142	14	19.13	2.3	1.95	144	14	18.85	2.2	1.90	165	12	16.48	2.2	2.00	176	12	15.45	2.1	2.05	200	10	13.63	2.1	2.15	225	8	12.08	2.0	2.20	0.37kW							0.37kW							0.31	7586	4328	40	0.85	GS109R79 GSF109R79 GSA109R79 GSAF109R79	4P	10	189	137.05	4.9	0.80	GS59 GSF59 GSA59 GSAF59	4P	0.65	2574	2054			24	1.00	GS89R59 GSF89R59 GSA89R59 GSAF89R59			4P	10	179			128.10	4.9	0.85			0.73	2286	1824			26	1.10	GS79R39 GSF79R39 GSA79R39 GSAF79R39			4P	12			158					110.73					5.1	0.95	0.82			2043	1631	27			1.20	1.4	1206	930	28	1.70	1.6	1089	831	28	1.75	1.9	1179	714	11	1.00	GS69R39 GSF69R39 GSA69R39 GSAF69R39	4P	21			113			63.80			5.2			1.20			2.1			1053	637	12			1.15	2.3	954	574	13	1.25	2.7	819	499	14	1.35	3.0	720	438	14	1.50	3.4	639	389	15	1.60	3.6	563	365	7.3	0.85	4.2	491	319	8.1	1.00	4.7	432	281	8.6	1.10	5.4	387	246	9.0	1.25	2.3	882	288.00	28	2.00	GS89 GSF89 GSA89 GSAF89	8P	21			93			63.33		2.8	0.85	2.6	801	258.18	28		2.10	3.0	698	222.40	28	2.25	26	91	51.30	2.8	0.85	30	78	43.68	2.8	0.95	35	68	37.66	2.8	1.00	38	64	35.10	2.8	1.00												
26	65	51.30	2.8	1.05	30	56	43.68	2.8	1.15	35	49	37.66	2.8	1.20	38	46	35.10	2.8	1.20	43	41	30.68	2.8	1.30	46	38	28.76	2.8	1.30	52	33	25.38	2.8	1.40	59	30	22.50	2.8	1.45	70	29	19.13	2.7	1.60	71	26	18.85	2.7	1.50	81	23	16.48	2.6	1.60	86	20	15.45	2.6	1.65	98	18	13.63	2.5	1.70	110	16	12.08	2.4	1.80	130	15	10.27	2.3	1.85	95	19	28.76	2.6	1.70	107	17	25.38	2.5	1.75	121	15	22.50	2.4	1.85	142	14	19.13	2.3	1.95	144	14	18.85	2.2	1.90	165	12	16.48	2.2	2.00	176	12	15.45	2.1	2.05	200	10	13.63	2.1	2.15	225	8	12.08	2.0	2.20	0.37kW							0.37kW							0.31	7586	4328	40	0.85	GS109R79 GSF109R79 GSA109R79 GSAF109R79	4P	10	189	137.05	4.9	0.80	GS59 GSF59 GSA59 GSAF59	4P	0.65	2574	2054			24	1.00	GS89R59 GSF89R59 GSA89R59 GSAF89R59			4P	10	179			128.10	4.9	0.85			0.73	2286	1824			26	1.10	GS79R39 GSF79R39 GSA79R39 GSAF79R39			4P	12					158			110.73					5.1	0.95	0.82			2043	1631	27			1.20	1.4	1206			930	28	1.70	1.6	1089	831	28	1.75	1.9	1179	714	11	1.00	GS69R39 GSF69R39 GSA69R39 GSAF69R39	4P	21			113			63.80			5.2			1.20			2.1			1053			637	12	1.15	2.3	954	574	13	1.25	2.7	819	499	14	1.35	3.0	720	438	14	1.50	3.4	639	389	15	1.60	3.6	563	365	7.3	0.85	4.2	491	319	8.1	1.00	4.7	432	281	8.6	1.10	5.4	387	246	9.0	1.25	2.3	882	288.00	28	2.00	GS89 GSF89 GSA89 GSAF89	8P	21			93			63.33			2.8	0.85	2.6	801	258.18	28	2.10	3.0	698	222.40	28	2.25	26	91	51.30	2.8	0.85	30	78	43.68	2.8	0.95	35	68	37.66	2.8	1.00	38	64	35.10	2.8	1.00															
30	56	43.68	2.8	1.15	35	49	37.66	2.8	1.20	38	46	35.10	2.8	1.20	43	41	30.68	2.8	1.30	46	38	28.76	2.8	1.30	52	33	25.38	2.8	1.40	59	30	22.50	2.8	1.45	70	29	19.13	2.7	1.60	71	26	18.85	2.7	1.50	81	23	16.48	2.6	1.60	86	20	15.45	2.6	1.65	98	18	13.63	2.5	1.70	110	16	12.08	2.4	1.80	130	15	10.27	2.3	1.85	95	19	28.76	2.6	1.70	107	17	25.38	2.5	1.75	121	15	22.50	2.4	1.85	142	14	19.13	2.3	1.95	144	14	18.85	2.2	1.90	165	12	16.48	2.2	2.00	176	12	15.45	2.1	2.05	200	10	13.63	2.1	2.15	225	8	12.08	2.0	2.20	0.37kW							0.37kW							0.31	7586	4328	40	0.85	GS109R79 GSF109R79 GSA109R79 GSAF109R79	4P	10	189	137.05	4.9	0.80	GS59 GSF59 GSA59 GSAF59	4P	0.65	2574	2054			24	1.00	GS89R59 GSF89R59 GSA89R59 GSAF89R59			4P	10	179			128.10	4.9	0.85			0.73	2286	1824			26	1.10	GS79R39 GSF79R39 GSA79R39 GSAF79R39			4P	12					158					110.73			5.1			0.95	0.82	2043	1631	27			1.20	1.4	1206			930	28	1.70	1.6	1089	831	28	1.75	1.9	1179	714	11	1.00	GS69R39 GSF69R39 GSA69R39 GSAF69R39	4P	21	113	63.80			5.2			1.20			2.1			1053			637			12			1.15	2.3	954	574	13	1.25	2.7	819	499	14	1.35	3.0	720	438	14	1.50	3.4	639	389	15	1.60	3.6	563	365	7.3	0.85	4.2	491	319	8.1	1.00	4.7	432	281	8.6	1.10	5.4	387	246	9.0	1.25	2.3	882	288.00	28	2.00	GS89 GSF89 GSA89 GSAF89	8P	21	93	63.33			2.8			0.85			2.6	801	258.18	28	2.10	3.0	698	222.40	28	2.25	26	91	51.30	2.8	0.85	30	78	43.68	2.8	0.95	35	68	37.66	2.8	1.00	38	64	35.10	2.8	1.00																				
35	49	37.66	2.8	1.20	38	46	35.10	2.8	1.20	43	41	30.68	2.8	1.30	46	38	28.76	2.8	1.30	52	33	25.38	2.8	1.40	59	30	22.50	2.8	1.45	70	29	19.13	2.7	1.60	71	26	18.85	2.7	1.50	81	23	16.48	2.6	1.60	86	20	15.45	2.6	1.65	98	18	13.63	2.5	1.70	110	16	12.08	2.4	1.80	130	15	10.27	2.3	1.85	95	19	28.76	2.6	1.70	107	17	25.38	2.5	1.75	121	15	22.50	2.4	1.85	142	14	19.13	2.3	1.95	144	14	18.85	2.2	1.90	165	12	16.48	2.2	2.00	176	12	15.45	2.1	2.05	200	10	13.63	2.1	2.15	225	8	12.08	2.0	2.20	0.37kW							0.37kW							0.31	7586	4328	40	0.85	GS109R79 GSF109R79 GSA109R79 GSAF109R79	4P	10	189	137.05	4.9	0.80	GS59 GSF59 GSA59 GSAF59	4P	0.65	2574	2054			24	1.00	GS89R59 GSF89R59 GSA89R59 GSAF89R59			4P	10	179			128.10	4.9	0.85			0.73	2286	1824			26	1.10	GS79R39 GSF79R39 GSA79R39 GSAF79R39			4P	12					158					110.73					5.1	0.95	0.82	2043			1631	27	1.20	1.4	1206			930	28	1.70	1.6	1089	831	28	1.75	1.9	1179	714	11	1.00	GS69R39 GSF69R39 GSA69R39 GSAF69R39	4P	21	113	63.80			5.2	1.20	2.1			1053			637			12			1.15			2.3			954	574	13	1.25	2.7	819	499	14	1.35	3.0	720	438	14	1.50	3.4	639	389	15	1.60	3.6	563	365	7.3	0.85	4.2	491	319	8.1	1.00	4.7	432	281	8.6	1.10	5.4	387	246	9.0	1.25	2.3	882	288.00	28	2.00	GS89 GSF89 GSA89 GSAF89	8P	21	93	63.33			2.8	0.85	2.6			801			258.18	28	2.10	3.0	698	222.40	28	2.25	26	91	51.30	2.8	0.85	30	78	43.68	2.8	0.95	35	68	37.66	2.8	1.00	38	64	35.10	2.8	1.00																									
38	46	35.10	2.8	1.20	43	41	30.68	2.8	1.30	46	38	28.76	2.8	1.30	52	33	25.38	2.8	1.40	59	30	22.50	2.8	1.45	70	29	19.13	2.7	1.60	71	26	18.85	2.7	1.50	81	23	16.48	2.6	1.60	86	20	15.45	2.6	1.65	98	18	13.63	2.5	1.70	110	16	12.08	2.4	1.80	130	15	10.27	2.3	1.85	95	19	28.76	2.6	1.70	107	17	25.38	2.5	1.75	121	15	22.50	2.4	1.85	142	14	19.13	2.3	1.95	144	14	18.85	2.2	1.90	165	12	16.48	2.2	2.00	176	12	15.45	2.1	2.05	200	10	13.63	2.1	2.15	225	8	12.08	2.0	2.20	0.37kW							0.37kW							0.31	7586	4328	40	0.85	GS109R79 GSF109R79 GSA109R79 GSAF109R79	4P	10	189	137.05	4.9	0.80	GS59 GSF59 GSA59 GSAF59	4P	0.65	2574	2054			24	1.00	GS89R59 GSF89R59 GSA89R59 GSAF89R59			4P	10	179			128.10	4.9	0.85			0.73	2286	1824			26	1.10	GS79R39 GSF79R39 GSA79R39 GSAF79R39			4P	12					158					110.73					5.1	0.95			0.82	2043	1631	27	1.20			1.4	1206	930	28	1.70	1.6	1089	831	28	1.75	1.9	1179	714	11	1.00	GS69R39 GSF69R39 GSA69R39 GSAF69R39	4P	21	113	63.80			5.2	1.20	2.1			1053	637	12			1.15			2.3			954			574			13	1.25	2.7	819	499	14	1.35	3.0	720	438	14	1.50	3.4	639	389	15	1.60	3.6	563	365	7.3	0.85	4.2	491	319	8.1	1.00	4.7	432	281	8.6	1.10	5.4	387	246	9.0	1.25	2.3	882	288.00	28	2.00	GS89 GSF89 GSA89 GSAF89	8P	21	93	63.33			2.8	0.85	2.6			801	258.18	28			2.10	3.0	698	222.40	28	2.25	26	91	51.30	2.8	0.85	30	78	43.68	2.8	0.95	35	68	37.66	2.8	1.00	38	64	35.10	2.8	1.00																														
43	41	30.68	2.8	1.30	46	38	28.76	2.8	1.30	52	33	25.38	2.8	1.40	59	30	22.50	2.8	1.45	70	29	19.13	2.7	1.60	71	26	18.85	2.7	1.50	81	23	16.48	2.6	1.60	86	20	15.45	2.6	1.65	98	18	13.63	2.5	1.70	110	16	12.08	2.4	1.80	130	15	10.27	2.3	1.85	95	19	28.76	2.6	1.70	107	17	25.38	2.5	1.75	121	15	22.50	2.4	1.85	142	14	19.13	2.3	1.95	144	14	18.85	2.2	1.90	165	12	16.48	2.2	2.00	176	12	15.45	2.1	2.05	200	10	13.63	2.1	2.15	225	8	12.08	2.0	2.20	0.37kW							0.37kW							0.31	7586	4328	40	0.85	GS109R79 GSF109R79 GSA109R79 GSAF109R79	4P	10	189	137.05	4.9	0.80	GS59 GSF59 GSA59 GSAF59	4P	0.65	2574	2054			24	1.00	GS89R59 GSF89R59 GSA89R59 GSAF89R59			4P	10	179			128.10	4.9	0.85			0.73	2286	1824			26	1.10	GS79R39 GSF79R39 GSA79R39 GSAF79R39			4P	12					158					110.73					5.1	0.95			0.82	2043	1631			27	1.20	1.4	1206	930	28	1.70	1.6	1089	831	28	1.75	1.9	1179	714	11	1.00	GS69R39 GSF69R39 GSA69R39 GSAF69R39	4P	21	113	63.80			5.2	1.20	2.1			1053	637	12			1.15	2.3	954			574			13			1.25			2.7	819	499	14	1.35	3.0	720	438	14	1.50	3.4	639	389	15	1.60	3.6	563	365	7.3	0.85	4.2	491	319	8.1	1.00	4.7	432	281	8.6	1.10	5.4	387	246	9.0	1.25	2.3	882	288.00	28	2.00	GS89 GSF89 GSA89 GSAF89	8P	21	93	63.33			2.8	0.85	2.6			801	258.18	28			2.10	3.0	698	222.40	28	2.25	26	91	51.30	2.8	0.85	30	78	43.68	2.8	0.95	35	68	37.66	2.8	1.00	38	64	35.10	2.8	1.00																																			
46	38	28.76	2.8	1.30	52	33	25.38	2.8	1.40	59	30	22.50	2.8	1.45	70	29	19.13	2.7	1.60	71	26	18.85	2.7	1.50	81	23	16.48	2.6	1.60	86	20	15.45	2.6	1.65	98	18	13.63	2.5	1.70	110	16	12.08	2.4	1.80	130	15	10.27	2.3	1.85	95	19	28.76	2.6	1.70	107	17	25.38	2.5	1.75	121	15	22.50	2.4	1.85	142	14	19.13	2.3	1.95	144	14	18.85	2.2	1.90	165	12	16.48	2.2	2.00	176	12	15.45	2.1	2.05	200	10	13.63	2.1	2.15	225	8	12.08	2.0	2.20	0.37kW							0.37kW							0.31	7586	4328	40	0.85	GS109R79 GSF109R79 GSA109R79 GSAF109R79	4P	10	189	137.05	4.9	0.80	GS59 GSF59 GSA59 GSAF59	4P	0.65	2574	2054			24	1.00	GS89R59 GSF89R59 GSA89R59 GSAF89R59			4P	10	179			128.10	4.9	0.85			0.73	2286	1824			26	1.10	GS79R39 GSF79R39 GSA79R39 GSAF79R39			4P	12					158					110.73					5.1	0.95			0.82	2043	1631			27	1.20	1.4	1206	930	28	1.70	1.6	1089	831	28	1.75	1.9	1179	714	11	1.00	GS69R39 GSF69R39 GSA69R39 GSAF69R39	4P	21	113	63.80			5.2	1.20	2.1			1053	637	12			1.15	2.3	954			574	13	1.25			2.7			819			499	14	1.35	3.0	720	438	14	1.50	3.4	639	389	15	1.60	3.6	563	365	7.3	0.85	4.2	491	319	8.1	1.00	4.7	432	281	8.6	1.10	5.4	387	246	9.0	1.25	2.3	882	288.00	28	2.00	GS89 GSF89 GSA89 GSAF89	8P	21	93	63.33			2.8	0.85	2.6			801	258.18	28			2.10	3.0	698	222.40	28	2.25	26	91	51.30	2.8	0.85	30	78	43.68	2.8	0.95	35	68	37.66	2.8	1.00	38	64	35.10	2.8	1.00																																								
52	33	25.38	2.8	1.40	59	30	22.50	2.8	1.45	70	29	19.13	2.7	1.60	71	26	18.85	2.7	1.50	81	23	16.48	2.6	1.60	86	20	15.45	2.6	1.65	98	18	13.63	2.5	1.70	110	16	12.08	2.4	1.80	130	15	10.27	2.3	1.85	95	19	28.76	2.6	1.70	107	17	25.38	2.5	1.75	121	15	22.50	2.4	1.85	142	14	19.13	2.3	1.95	144	14	18.85	2.2	1.90	165	12	16.48	2.2	2.00	176	12	15.45	2.1	2.05	200	10	13.63	2.1	2.15	225	8	12.08	2.0	2.20	0.37kW							0.37kW							0.31	7586	4328	40	0.85	GS109R79 GSF109R79 GSA109R79 GSAF109R79	4P	10	189	137.05	4.9	0.80	GS59 GSF59 GSA59 GSAF59	4P	0.65	2574	2054			24	1.00	GS89R59 GSF89R59 GSA89R59 GSAF89R59			4P	10	179			128.10	4.9	0.85			0.73	2286	1824			26	1.10	GS79R39 GSF79R39 GSA79R39 GSAF79R39			4P	12					158					110.73					5.1	0.95			0.82	2043	1631			27	1.20	1.4	1206	930	28	1.70	1.6	1089	831	28	1.75	1.9	1179	714	11	1.00	GS69R39 GSF69R39 GSA69R39 GSAF69R39	4P	21	113	63.80			5.2	1.20	2.1			1053	637	12			1.15	2.3	954			574	13	1.25			2.7	819	499			14			1.35	3.0	720	438	14	1.50	3.4	639	389	15	1.60	3.6	563	365	7.3	0.85	4.2	491	319	8.1	1.00	4.7	432	281	8.6	1.10	5.4	387	246	9.0	1.25	2.3	882	288.00	28	2.00	GS89 GSF89 GSA89 GSAF89	8P	21	93	63.33			2.8	0.85	2.6			801	258.18	28			2.10	3.0	698	222.40	28	2.25	26	91	51.30	2.8	0.85	30	78	43.68	2.8	0.95	35	68	37.66	2.8	1.00	38	64	35.10	2.8	1.00																																													
59	30	22.50	2.8	1.45	70	29	19.13	2.7	1.60	71	26	18.85	2.7	1.50	81	23	16.48	2.6	1.60	86	20	15.45	2.6	1.65	98	18	13.63	2.5	1.70	110	16	12.08	2.4	1.80	130	15	10.27	2.3	1.85	95	19	28.76	2.6	1.70	107	17	25.38	2.5	1.75	121	15	22.50	2.4	1.85	142	14	19.13	2.3	1.95	144	14	18.85	2.2	1.90	165	12	16.48	2.2	2.00	176	12	15.45	2.1	2.05	200	10	13.63	2.1	2.15	225	8	12.08	2.0	2.20	0.37kW							0.37kW							0.31	7586	4328	40	0.85	GS109R79 GSF109R79 GSA109R79 GSAF109R79	4P	10	189	137.05	4.9	0.80	GS59 GSF59 GSA59 GSAF59	4P	0.65	2574	2054			24	1.00	GS89R59 GSF89R59 GSA89R59 GSAF89R59			4P	10	179			128.10	4.9	0.85			0.73	2286	1824			26	1.10	GS79R39 GSF79R39 GSA79R39 GSAF79R39			4P	12					158					110.73					5.1	0.95			0.82	2043	1631			27	1.20	1.4	1206	930	28	1.70	1.6	1089	831	28	1.75	1.9	1179	714	11	1.00	GS69R39 GSF69R39 GSA69R39 GSAF69R39	4P	21	113	63.80			5.2	1.20	2.1			1053	637	12			1.15	2.3	954			574	13	1.25			2.7	819	499			14	1.35	3.0			720	438	14	1.50	3.4	639	389	15	1.60	3.6	563	365	7.3	0.85	4.2	491	319	8.1	1.00	4.7	432	281	8.6	1.10	5.4	387	246	9.0	1.25	2.3	882	288.00	28	2.00	GS89 GSF89 GSA89 GSAF89	8P	21	93	63.33			2.8	0.85	2.6			801	258.18	28			2.10	3.0	698	222.40	28	2.25	26	91	51.30	2.8	0.85	30	78	43.68	2.8	0.95	35	68	37.66	2.8	1.00	38	64	35.10	2.8	1.00																																																		
70	29	19.13	2.7	1.60	71	26	18.85	2.7	1.50	81	23	16.48	2.6	1.60	86	20	15.45	2.6	1.65	98	18	13.63	2.5	1.70	110	16	12.08	2.4	1.80	130	15	10.27	2.3	1.85	95	19	28.76	2.6	1.70	107	17	25.38	2.5	1.75	121	15	22.50	2.4	1.85	142	14	19.13	2.3	1.95	144	14	18.85	2.2	1.90	165	12	16.48	2.2	2.00	176	12	15.45	2.1	2.05	200	10	13.63	2.1	2.15	225	8	12.08	2.0	2.20	0.37kW							0.37kW							0.31	7586	4328	40	0.85	GS109R79 GSF109R79 GSA109R79 GSAF109R79	4P	10	189	137.05	4.9	0.80	GS59 GSF59 GSA59 GSAF59	4P	0.65	2574	2054			24	1.00	GS89R59 GSF89R59 GSA89R59 GSAF89R59			4P	10	179			128.10	4.9	0.85			0.73	2286	1824			26	1.10	GS79R39 GSF79R39 GSA79R39 GSAF79R39			4P	12					158					110.73					5.1	0.95			0.82	2043	1631			27	1.20	1.4	1206	930	28	1.70	1.6	1089	831	28	1.75	1.9	1179	714	11	1.00	GS69R39 GSF69R39 GSA69R39 GSAF69R39	4P	21	113	63.80			5.2	1.20	2.1			1053	637	12			1.15	2.3	954			574	13	1.25			2.7	819	499			14	1.35	3.0			720	438	14	1.50	3.4	639	389	15	1.60	3.6	563	365	7.3	0.85	4.2	491	319	8.1	1.00	4.7	432	281	8.6	1.10	5.4	387	246	9.0	1.25	2.3	882	288.00	28	2.00	GS89 GSF89 GSA89 GSAF89	8P	21	93	63.33			2.8	0.85	2.6			801	258.18	28			2.10	3.0	698	222.40	28	2.25	26	91	51.30	2.8	0.85	30	78	43.68	2.8	0.95	35	68	37.66	2.8	1.00	38	64	35.10	2.8	1.00																																																							
71	26	18.85	2.7	1.50	81	23	16.48	2.6	1.60	86	20	15.45	2.6	1.65	98	18	13.63	2.5	1.70	110	16	12.08	2.4	1.80	130	15	10.27	2.3	1.85	95	19	28.76	2.6	1.70	107	17	25.38	2.5	1.75	121	15	22.50	2.4	1.85	142	14	19.13	2.3	1.95	144	14	18.85	2.2	1.90	165	12	16.48	2.2	2.00	176	12	15.45	2.1	2.05	200	10	13.63	2.1	2.15	225	8	12.08	2.0	2.20	0.37kW							0.37kW							0.31	7586	4328	40	0.85	GS109R79 GSF109R79 GSA109R79 GSAF109R79	4P	10	189	137.05	4.9	0.80	GS59 GSF59 GSA59 GSAF59	4P	0.65	2574	2054			24	1.00	GS89R59 GSF89R59 GSA89R59 GSAF89R59			4P	10	179			128.10	4.9	0.85			0.73	2286	1824			26	1.10	GS79R39 GSF79R39 GSA79R39 GSAF79R39			4P	12					158					110.73					5.1	0.95			0.82	2043	1631			27	1.20	1.4	1206	930	28	1.70	1.6	1089	831	28	1.75	1.9	1179	714	11	1.00	GS69R39 GSF69R39 GSA69R39 GSAF69R39	4P	21	113	63.80			5.2	1.20	2.1			1053	637	12			1.15	2.3	954			574	13	1.25			2.7	819	499			14	1.35	3.0			720	438	14	1.50	3.4	639	389	15	1.60	3.6	563	365	7.3	0.85	4.2	491	319	8.1	1.00	4.7	432	281	8.6	1.10	5.4	387	246	9.0	1.25	2.3	882	288.00	28	2.00	GS89 GSF89 GSA89 GSAF89	8P	21	93	63.33			2.8	0.85	2.6			801	258.18	28			2.10	3.0	698	222.40	28	2.25	26	91	51.30	2.8	0.85	30	78	43.68	2.8	0.95	35	68	37.66	2.8	1.00	38	64	35.10	2.8	1.00																																																												
81	23	16.48	2.6	1.60	86	20	15.45	2.6	1.65	98	18	13.63	2.5	1.70	110	16	12.08	2.4	1.80	130	15	10.27	2.3	1.85	95	19	28.76	2.6	1.70	107	17	25.38	2.5	1.75	121	15	22.50	2.4	1.85	142	14	19.13	2.3	1.95	144	14	18.85	2.2	1.90	165	12	16.48	2.2	2.00	176	12	15.45	2.1	2.05	200	10	13.63	2.1	2.15	225	8	12.08	2.0	2.20	0.37kW							0.37kW							0.31	7586	4328	40	0.85	GS109R79 GSF109R79 GSA109R79 GSAF109R79	4P	10	189	137.05	4.9	0.80	GS59 GSF59 GSA59 GSAF59	4P	0.65	2574	2054			24	1.00	GS89R59 GSF89R59 GSA89R59 GSAF89R59			4P	10	179			128.10	4.9	0.85			0.73	2286	1824			26	1.10	GS79R39 GSF79R39 GSA79R39 GSAF79R39			4P	12					158					110.73					5.1	0.95			0.82	2043	1631			27	1.20	1.4	1206	930	28	1.70	1.6	1089	831	28	1.75	1.9	1179	714	11	1.00	GS69R39 GSF69R39 GSA69R39 GSAF69R39	4P	21	113	63.80			5.2	1.20	2.1			1053	637	12			1.15	2.3	954			574	13	1.25			2.7	819	499			14	1.35	3.0			720	438	14	1.50	3.4	639	389	15	1.60	3.6	563	365	7.3	0.85	4.2	491	319	8.1	1.00	4.7	432	281	8.6	1.10	5.4	387	246	9.0	1.25	2.3	882	288.00	28	2.00	GS89 GSF89 GSA89 GSAF89	8P	21	93	63.33			2.8	0.85	2.6			801	258.18	28			2.10	3.0	698	222.40	28	2.25	26	91	51.30	2.8	0.85	30	78	43.68	2.8	0.95	35	68	37.66	2.8	1.00	38	64	35.10	2.8	1.00																																																																	
86	20	15.45	2.6	1.65	98	18	13.63	2.5	1.70	110	16	12.08	2.4	1.80	130	15	10.27	2.3	1.85	95	19	28.76	2.6	1.70	107	17	25.38	2.5	1.75	121	15	22.50	2.4	1.85	142	14	19.13	2.3	1.95	144	14	18.85	2.2	1.90	165	12	16.48	2.2	2.00	176	12	15.45	2.1	2.05	200	10	13.63	2.1	2.15	225	8	12.08	2.0	2.20	0.37kW							0.37kW							0.31	7586	4328	40	0.85	GS109R79 GSF109R79 GSA109R79 GSAF109R79	4P	10	189	137.05	4.9	0.80	GS59 GSF59 GSA59 GSAF59	4P	0.65	2574	2054			24	1.00	GS89R59 GSF89R59 GSA89R59 GSAF89R59			4P	10	179			128.10	4.9	0.85			0.73	2286	1824			26	1.10	GS79R39 GSF79R39 GSA79R39 GSAF79R39			4P	12					158					110.73					5.1	0.95			0.82	2043	1631			27	1.20	1.4	1206	930	28	1.70	1.6	1089	831	28	1.75	1.9	1179	714	11	1.00	GS69R39 GSF69R39 GSA69R39 GSAF69R39	4P	21	113	63.80			5.2	1.20	2.1			1053	637	12			1.15	2.3	954			574	13	1.25			2.7	819	499			14	1.35	3.0			720	438	14	1.50	3.4	639	389	15	1.60	3.6	563	365	7.3	0.85	4.2	491	319	8.1	1.00	4.7	432	281	8.6	1.10	5.4	387	246	9.0	1.25	2.3	882	288.00	28	2.00	GS89 GSF89 GSA89 GSAF89	8P	21	93	63.33			2.8	0.85	2.6			801	258.18	28			2.10	3.0	698	222.40	28	2.25	26	91	51.30	2.8	0.85	30	78	43.68	2.8	0.95	35	68	37.66	2.8	1.00	38	64	35.10	2.8	1.00																																																																						
98	18	13.63	2.5	1.70	110	16	12.08	2.4	1.80	130	15	10.27	2.3	1.85	95	19	28.76	2.6	1.70	107	17	25.38	2.5	1.75	121	15	22.50	2.4	1.85	142	14	19.13	2.3	1.95	144	14	18.85	2.2	1.90	165	12	16.48	2.2	2.00	176	12	15.45	2.1	2.05	200	10	13.63	2.1	2.15	225	8	12.08	2.0	2.20	0.37kW							0.37kW							0.31	7586	4328	40	0.85	GS109R79 GSF109R79 GSA109R79 GSAF109R79	4P	10	189	137.05	4.9	0.80	GS59 GSF59 GSA59 GSAF59	4P	0.65	2574	2054			24	1.00	GS89R59 GSF89R59 GSA89R59 GSAF89R59			4P	10	179			128.10	4.9	0.85			0.73	2286	1824			26	1.10	GS79R39 GSF79R39 GSA79R39 GSAF79R39			4P	12					158					110.73					5.1	0.95			0.82	2043	1631			27	1.20	1.4	1206	930	28	1.70	1.6	1089	831	28	1.75	1.9	1179	714	11	1.00	GS69R39 GSF69R39 GSA69R39 GSAF69R39	4P	21	113	63.80			5.2	1.20	2.1			1053	637	12			1.15	2.3	954			574	13	1.25			2.7	819	499			14	1.35	3.0			720	438	14	1.50	3.4	639	389	15	1.60	3.6	563	365	7.3	0.85	4.2	491	319	8.1	1.00	4.7	432	281	8.6	1.10	5.4	387	246	9.0	1.25	2.3	882	288.00	28	2.00	GS89 GSF89 GSA89 GSAF89	8P	21	93	63.33			2.8	0.85	2.6			801	258.18	28			2.10	3.0	698	222.40	28	2.25	26	91	51.30	2.8	0.85	30	78	43.68	2.8	0.95	35	68	37.66	2.8	1.00	38	64	35.10	2.8	1.00																																																																											
110	16	12.08	2.4	1.80	130	15	10.27	2.3	1.85	95	19	28.76	2.6	1.70	107	17	25.38	2.5	1.75	121	15	22.50	2.4	1.85	142	14	19.13	2.3	1.95	144	14	18.85	2.2	1.90	165	12	16.48	2.2	2.00	176	12	15.45	2.1	2.05	200	10	13.63	2.1	2.15	225	8	12.08	2.0	2.20	0.37kW							0.37kW							0.31	7586	4328	40	0.85	GS109R79 GSF109R79 GSA109R79 GSAF109R79	4P	10	189	137.05	4.9	0.80	GS59 GSF59 GSA59 GSAF59	4P	0.65	2574	2054			24	1.00	GS89R59 GSF89R59 GSA89R59 GSAF89R59			4P	10	179			128.10	4.9	0.85			0.73	2286	1824			26	1.10	GS79R39 GSF79R39 GSA79R39 GSAF79R39			4P	12					158					110.73					5.1	0.95			0.82	2043	1631			27	1.20	1.4	1206	930	28	1.70	1.6	1089	831	28	1.75	1.9	1179	714	11	1.00	GS69R39 GSF69R39 GSA69R39 GSAF69R39	4P	21	113	63.80			5.2	1.20	2.1			1053	637	12			1.15	2.3	954			574	13	1.25			2.7	819	499			14	1.35	3.0			720	438	14	1.50	3.4	639	389	15	1.60	3.6	563	365	7.3	0.85	4.2	491	319	8.1	1.00	4.7	432	281	8.6	1.10	5.4	387	246	9.0	1.25	2.3	882	288.00	28	2.00	GS89 GSF89 GSA89 GSAF89	8P	21	93	63.33			2.8	0.85	2.6			801	258.18	28			2.10	3.0	698	222.40	28	2.25	26	91	51.30	2.8	0.85	30	78	43.68	2.8	0.95	35	68	37.66	2.8	1.00	38	64	35.10	2.8	1.00																																																																																
130	15	10.27	2.3	1.85	95	19	28.76	2.6	1.70	107	17	25.38	2.5	1.75	121	15	22.50	2.4	1.85	142	14	19.13	2.3	1.95	144	14	18.85	2.2	1.90	165	12	16.48	2.2	2.00	176	12	15.45	2.1	2.05	200	10	13.63	2.1	2.15	225	8	12.08	2.0	2.20	0.37kW							0.37kW							0.31	7586	4328	40	0.85	GS109R79 GSF109R79 GSA109R79 GSAF109R79	4P	10	189	137.05	4.9	0.80	GS59 GSF59 GSA59 GSAF59	4P	0.65	2574	2054			24	1.00	GS89R59 GSF89R59 GSA89R59 GSAF89R59			4P	10	179			128.10	4.9	0.85			0.73	2286	1824			26	1.10	GS79R39 GSF79R39 GSA79R39 GSAF79R39			4P	12					158					110.73					5.1	0.95			0.82	2043	1631			27	1.20	1.4	1206	930	28	1.70	1.6	1089	831	28	1.75	1.9	1179	714	11	1.00	GS69R39 GSF69R39 GSA69R39 GSAF69R39	4P	21	113	63.80			5.2	1.20	2.1			1053	637	12			1.15	2.3	954			574	13	1.25			2.7	819	499			14	1.35	3.0			720	438	14	1.50	3.4	639	389	15	1.60	3.6	563	365	7.3	0.85	4.2	491	319	8.1	1.00	4.7	432	281	8.6	1.10	5.4	387	246	9.0	1.25	2.3	882	288.00	28	2.00	GS89 GSF89 GSA89 GSAF89	8P	21	93	63.33			2.8	0.85	2.6			801	258.18	28			2.10	3.0	698	222.40	28	2.25	26	91	51.30	2.8	0.85	30	78	43.68	2.8	0.95	35	68	37.66	2.8	1.00	38	64	35.10	2.8	1.00																																																																																					
95	19	28.76	2.6	1.70	107	17	25.38	2.5	1.75	121	15	22.50	2.4	1.85	142	14	19.13	2.3	1.95	144	14	18.85	2.2	1.90	165	12	16.48	2.2	2.00	176	12	15.45	2.1	2.05	200	10	13.63	2.1	2.15	225	8	12.08	2.0	2.20	0.37kW							0.37kW							0.31	7586	4328	40	0.85	GS109R79 GSF109R79 GSA109R79 GSAF109R79	4P	10	189	137.05	4.9	0.80	GS59 GSF59 GSA59 GSAF59	4P	0.65	2574	2054			24	1.00	GS89R59 GSF89R59 GSA89R59 GSAF89R59			4P	10	179			128.10	4.9	0.85			0.73	2286	1824			26	1.10	GS79R39 GSF79R39 GSA79R39 GSAF79R39			4P	12					158					110.73					5.1	0.95			0.82	2043	1631			27	1.20	1.4	1206	930	28	1.70	1.6	1089	831	28	1.75	1.9	1179	714	11	1.00	GS69R39 GSF69R39 GSA69R39 GSAF69R39	4P	21	113	63.80			5.2	1.20	2.1			1053	637	12			1.15	2.3	954			574	13	1.25			2.7	819	499			14	1.35	3.0			720	438	14	1.50	3.4	639	389	15	1.60	3.6	563	365	7.3	0.85	4.2	491	319	8.1	1.00	4.7	432	281	8.6	1.10	5.4	387	246	9.0	1.25	2.3	882	288.00	28	2.00	GS89 GSF89 GSA89 GSAF89	8P	21	93	63.33			2.8	0.85	2.6			801	258.18	28			2.10	3.0	698	222.40	28	2.25	26	91	51.30	2.8	0.85	30	78	43.68	2.8	0.95	35	68	37.66	2.8	1.00	38	64	35.10	2.8	1.00																																																																																										
107	17	25.38	2.5	1.75	121	15	22.50	2.4	1.85	142	14	19.13	2.3	1.95	144	14	18.85	2.2	1.90	165	12	16.48	2.2	2.00	176	12	15.45	2.1	2.05	200	10	13.63	2.1	2.15	225	8	12.08	2.0	2.20	0.37kW							0.37kW							0.31	7586	4328	40	0.85	GS109R79 GSF109R79 GSA109R79 GSAF109R79	4P	10	189	137.05	4.9	0.80	GS59 GSF59 GSA59 GSAF59	4P	0.65	2574	2054			24	1.00	GS89R59 GSF89R59 GSA89R59 GSAF89R59			4P	10	179			128.10	4.9	0.85			0.73	2286	1824			26	1.10	GS79R39 GSF79R39 GSA79R39 GSAF79R39			4P	12					158					110.73					5.1	0.95			0.82	2043	1631			27	1.20	1.4	1206	930	28	1.70	1.6	1089	831	28	1.75	1.9	1179	714	11	1.00	GS69R39 GSF69R39 GSA69R39 GSAF69R39	4P	21	113	63.80			5.2	1.20	2.1			1053	637	12			1.15	2.3	954			574	13	1.25			2.7	819	499			14	1.35	3.0			720	438	14	1.50	3.4	639	389	15	1.60	3.6	563	365	7.3	0.85	4.2	491	319	8.1	1.00	4.7	432	281	8.6	1.10	5.4	387	246	9.0	1.25	2.3	882	288.00	28	2.00	GS89 GSF89 GSA89 GSAF89	8P	21	93	63.33			2.8	0.85	2.6			801	258.18	28			2.10	3.0	698	222.40	28	2.25	26	91	51.30	2.8	0.85	30	78	43.68	2.8	0.95	35	68	37.66	2.8	1.00	38	64	35.10	2.8	1.00																																																																																															
121	15	22.50	2.4	1.85	142	14	19.13	2.3	1.95	144	14	18.85	2.2	1.90	165	12	16.48	2.2	2.00	176	12	15.45	2.1	2.05	200	10	13.63	2.1	2.15	225	8	12.08	2.0	2.20	0.37kW							0.37kW							0.31	7586	4328	40	0.85	GS109R79 GSF109R79 GSA109R79 GSAF109R79	4P	10	189	137.05	4.9	0.80	GS59 GSF59 GSA59 GSAF59	4P	0.65	2574	2054			24	1.00	GS89R59 GSF89R59 GSA89R59 GSAF89R59			4P	10	179			128.10	4.9	0.85			0.73	2286	1824			26	1.10	GS79R39 GSF79R39 GSA79R39 GSAF79R39			4P	12					158					110.73					5.1	0.95			0.82	2043	1631			27	1.20	1.4	1206	930	28	1.70	1.6	1089	831	28	1.75	1.9	1179	714	11	1.00	GS69R39 GSF69R39 GSA69R39 GSAF69R39	4P	21	113	63.80			5.2	1.20	2.1			1053	637	12			1.15	2.3	954			574	13	1.25			2.7	819	499			14	1.35	3.0			720	438	14	1.50	3.4	639	389	15	1.60	3.6	563	365	7.3	0.85	4.2	491	319	8.1	1.00	4.7	432	281	8.6	1.10	5.4	387	246	9.0	1.25	2.3	882	288.00	28	2.00	GS89 GSF89 GSA89 GSAF89	8P	21	93	63.33			2.8	0.85	2.6			801	258.18	28			2.10	3.0	698	222.40	28	2.25	26	91	51.30	2.8	0.85	30	78	43.68	2.8	0.95	35	68	37.66	2.8	1.00	38	64	35.10	2.8	1.00																																																																																																				
142	14	19.13	2.3	1.95	144	14	18.85	2.2	1.90	165	12	16.48	2.2	2.00	176	12	15.45	2.1	2.05	200	10	13.63	2.1	2.15	225	8	12.08	2.0	2.20	0.37kW							0.37kW							0.31	7586	4328	40	0.85	GS109R79 GSF109R79 GSA109R79 GSAF109R79	4P	10	189	137.05	4.9	0.80	GS59 GSF59 GSA59 GSAF59	4P	0.65	2574	2054			24	1.00	GS89R59 GSF89R59 GSA89R59 GSAF89R59			4P	10	179			128.10	4.9	0.85			0.73	2286	1824			26	1.10	GS79R39 GSF79R39 GSA79R39 GSAF79R39			4P	12					158					110.73					5.1	0.95			0.82	2043	1631			27	1.20	1.4	1206	930	28	1.70	1.6	1089	831	28	1.75	1.9	1179	714	11	1.00	GS69R39 GSF69R39 GSA69R39 GSAF69R39	4P	21	113	63.80			5.2	1.20	2.1			1053	637	12			1.15	2.3	954			574	13	1.25			2.7	819	499			14	1.35	3.0			720	438	14	1.50	3.4	639	389	15	1.60	3.6	563	365	7.3	0.85	4.2	491	319	8.1	1.00	4.7	432	281	8.6	1.10	5.4	387	246	9.0	1.25	2.3	882	288.00	28	2.00	GS89 GSF89 GSA89 GSAF89	8P	21	93	63.33			2.8	0.85	2.6			801	258.18	28			2.10	3.0	698	222.40	28	2.25	26	91	51.30	2.8	0.85	30	78	43.68	2.8	0.95	35	68	37.66	2.8	1.00	38	64	35.10	2.8	1.00																																																																																																									
144	14	18.85	2.2	1.90	165	12	16.48	2.2	2.00	176	12	15.45	2.1	2.05	200	10	13.63	2.1	2.15	225	8	12.08	2.0	2.20	0.37kW							0.37kW							0.31	7586	4328	40	0.85	GS109R79 GSF109R79 GSA109R79 GSAF109R79	4P	10	189	137.05	4.9	0.80	GS59 GSF59 GSA59 GSAF59	4P	0.65	2574	2054			24	1.00	GS89R59 GSF89R59 GSA89R59 GSAF89R59			4P	10	179			128.10	4.9	0.85			0.73	2286	1824			26	1.10	GS79R39 GSF79R39 GSA79R39 GSAF79R39			4P	12					158					110.73					5.1	0.95			0.82	2043	1631			27	1.20	1.4	1206	930	28	1.70	1.6	1089	831	28	1.75	1.9	1179	714	11	1.00	GS69R39 GSF69R39 GSA69R39 GSAF69R39	4P	21	113	63.80			5.2	1.20	2.1			1053	637	12			1.15	2.3	954			574	13	1.25			2.7	819	499			14	1.35	3.0			720	438	14	1.50	3.4	639	389	15	1.60	3.6	563	365	7.3	0.85	4.2	491	319	8.1	1.00	4.7	432	281	8.6	1.10	5.4	387	246	9.0	1.25	2.3	882	288.00	28	2.00	GS89 GSF89 GSA89 GSAF89	8P	21	93	63.33			2.8	0.85	2.6			801	258.18	28			2.10	3.0	698	222.40	28	2.25	26	91	51.30	2.8	0.85	30	78	43.68	2.8	0.95	35	68	37.66	2.8	1.00	38	64	35.10	2.8	1.00																																																																																																														
165	12	16.48	2.2	2.00	176	12	15.45	2.1	2.05	200	10	13.63	2.1	2.15	225	8	12.08	2.0	2.20	0.37kW							0.37kW							0.31	7586	4328	40	0.85	GS109R79 GSF109R79 GSA109R79 GSAF109R79	4P	10	189	137.05	4.9	0.80	GS59 GSF59 GSA59 GSAF59	4P	0.65	2574	2054			24	1.00	GS89R59 GSF89R59 GSA89R59 GSAF89R59			4P	10	179			128.10	4.9	0.85			0.73	2286	1824			26	1.10	GS79R39 GSF79R39 GSA79R39 GSAF79R39			4P	12					158					110.73					5.1	0.95			0.82	2043	1631			27	1.20	1.4	1206	930	28	1.70	1.6	1089	831	28	1.75	1.9	1179	714	11	1.00	GS69R39 GSF69R39 GSA69R39 GSAF69R39	4P	21	113	63.80			5.2	1.20	2.1			1053	637	12			1.15	2.3	954			574	13	1.25			2.7	819	499			14	1.35	3.0			720	438	14	1.50	3.4	639	389	15	1.60	3.6	563	365	7.3	0.85	4.2	491	319	8.1	1.00	4.7	432	281	8.6	1.10	5.4	387	246	9.0	1.25	2.3	882	288.00	28	2.00	GS89 GSF89 GSA89 GSAF89	8P	21	93	63.33			2.8	0.85	2.6			801	258.18	28			2.10	3.0	698	222.40	28	2.25	26	91	51.30	2.8	0.85	30	78	43.68	2.8	0.95	35	68	37.66	2.8	1.00	38	64	35.10	2.8	1.00																																																																																																																			
176	12	15.45	2.1	2.05	200	10	13.63	2.1	2.15	225	8	12.08	2.0	2.20	0.37kW							0.37kW							0.31	7586	4328	40	0.85	GS109R79 GSF109R79 GSA109R79 GSAF109R79	4P	10	189	137.05	4.9	0.80	GS59 GSF59 GSA59 GSAF59	4P	0.65	2574	2054			24	1.00	GS89R59 GSF89R59 GSA89R59 GSAF89R59			4P	10	179			128.10	4.9	0.85			0.73	2286	1824			26	1.10	GS79R39 GSF79R39 GSA79R39 GSAF79R39			4P	12					158					110.73					5.1	0.95			0.82	2043	1631			27	1.20	1.4	1206	930	28	1.70	1.6	1089	831	28	1.75	1.9	1179	714	11	1.00	GS69R39 GSF69R39 GSA69R39 GSAF69R39	4P	21	113	63.80			5.2	1.20	2.1			1053	637	12			1.15	2.3	954			574	13	1.25			2.7	819	499			14	1.35	3.0			720	438	14	1.50	3.4	639	389	15	1.60	3.6	563	365	7.3	0.85	4.2	491	319	8.1	1.00	4.7	432	281	8.6	1.10	5.4	387	246	9.0	1.25	2.3	882	288.00	28	2.00	GS89 GSF89 GSA89 GSAF89	8P	21	93	63.33			2.8	0.85	2.6			801	258.18	28			2.10	3.0	698	222.40	28	2.25	26	91	51.30	2.8	0.85	30	78	43.68	2.8	0.95	35	68	37.66	2.8	1.00	38	64	35.10	2.8	1.00																																																																																																																								
200	10	13.63	2.1	2.15	225	8	12.08	2.0	2.20	0.37kW							0.37kW							0.31	7586	4328	40	0.85	GS109R79 GSF109R79 GSA109R79 GSAF109R79	4P	10	189	137.05	4.9	0.80	GS59 GSF59 GSA59 GSAF59	4P	0.65	2574	2054			24	1.00	GS89R59 GSF89R59 GSA89R59 GSAF89R59			4P	10	179			128.10	4.9	0.85			0.73	2286	1824			26	1.10	GS79R39 GSF79R39 GSA79R39 GSAF79R39			4P	12					158					110.73					5.1	0.95			0.82	2043	1631			27	1.20	1.4	1206	930	28	1.70	1.6	1089	831	28	1.75	1.9	1179	714	11	1.00	GS69R39 GSF69R39 GSA69R39 GSAF69R39	4P	21	113	63.80			5.2	1.20	2.1			1053	637	12			1.15	2.3	954			574	13	1.25			2.7	819	499			14	1.35	3.0			720	438	14	1.50	3.4	639	389	15	1.60	3.6	563	365	7.3	0.85	4.2	491	319	8.1	1.00	4.7	432	281	8.6	1.10	5.4	387	246	9.0	1.25	2.3	882	288.00	28	2.00	GS89 GSF89 GSA89 GSAF89	8P	21	93	63.33			2.8	0.85	2.6			801	258.18	28			2.10	3.0	698	222.40	28	2.25	26	91	51.30	2.8	0.85	30	78	43.68	2.8	0.95	35	68	37.66	2.8	1.00	38	64	35.10	2.8	1.00																																																																																																																													
225	8	12.08	2.0	2.20	0.37kW							0.37kW							0.31	7586	4328	40	0.85	GS109R79 GSF109R79 GSA109R79 GSAF109R79	4P	10	189	137.05	4.9	0.80	GS59 GSF59 GSA59 GSAF59	4P	0.65	2574	2054			24	1.00	GS89R59 GSF89R59 GSA89R59 GSAF89R59			4P	10	179			128.10	4.9	0.85			0.73	2286	1824			26	1.10	GS79R39 GSF79R39 GSA79R39 GSAF79R39			4P	12					158					110.73					5.1	0.95			0.82	2043	1631			27	1.20	1.4	1206	930	28	1.70	1.6	1089	831	28	1.75	1.9	1179	714	11	1.00	GS69R39 GSF69R39 GSA69R39 GSAF69R39	4P	21	113	63.80			5.2	1.20	2.1			1053	637	12			1.15	2.3	954			574	13	1.25			2.7	819	499			14	1.35	3.0			720	438	14	1.50	3.4	639	389	15	1.60	3.6	563	365	7.3	0.85	4.2	491	319	8.1	1.00	4.7	432	281	8.6	1.10	5.4	387	246	9.0	1.25	2.3	882	288.00	28	2.00	GS89 GSF89 GSA89 GSAF89	8P	21	93	63.33			2.8	0.85	2.6			801	258.18	28			2.10	3.0	698	222.40	28	2.25	26	91	51.30	2.8	0.85	30	78	43.68	2.8	0.95	35	68	37.66	2.8	1.00	38	64	35.10	2.8	1.00																																																																																																																																		
0.37kW							0.37kW																																																																																																																																																																																																																																																																																																																																																					
0.31	7586	4328	40	0.85	GS109R79 GSF109R79 GSA109R79 GSAF109R79	4P	10	189	137.05	4.9	0.80	GS59 GSF59 GSA59 GSAF59	4P																																																																																																																																																																																																																																																																																																																																															
0.65	2574	2054	24	1.00	GS89R59 GSF89R59 GSA89R59 GSAF89R59	4P	10	179	128.10	4.9	0.85			0.73	2286	1824	26	1.10	GS79R39 GSF79R39 GSA79R39 GSAF79R39	4P	12	158	110.73	5.1	0.95	0.82	2043	1631	27	1.20			1.4	1206	930			28	1.70	1.6			1089	831	28			1.75	1.9	1179			714	11	1.00			GS69R39 GSF69R39 GSA69R39 GSAF69R39	4P					21	113			63.80	5.2	1.20			2.1	1053	637	12	1.15	2.3	954	574	13	1.25	2.7	819	499	14	1.35	3.0	720	438	14	1.50	3.4	639	389	15	1.60	3.6	563	365	7.3	0.85	4.2	491			319	8.1	1.00			4.7	432	281			8.6	1.10	5.4			387	246	9.0			1.25	2.3	882	288.00	28	2.00	GS89 GSF89 GSA89 GSAF89	8P	21	93	63.33	2.8	0.85	2.6	801	258.18	28	2.10	3.0	698	222.40	28	2.25	26	91	51.30	2.8	0.85	30	78	43.68	2.8	0.95	35	68	37.66	2.8	1.00	38	64	35.10	2.8	1.00																																																																																																																																																																																			
0.73	2286	1824	26	1.10	GS79R39 GSF79R39 GSA79R39 GSAF79R39	4P	12	158	110.73	5.1	0.95			0.82	2043	1631	27	1.20			1.4	1206	930	28	1.70	1.6	1089	831	28	1.75			1.9	1179	714			11	1.00	GS69R39 GSF69R39 GSA69R39 GSAF69R39			4P	21	113			63.80	5.2	1.20			2.1	1053	637					12			1.15	2.3	954			574	13	1.25	2.7	819	499	14	1.35	3.0	720	438	14	1.50	3.4	639	389	15	1.60	3.6	563	365	7.3	0.85	4.2	491	319	8.1	1.00	4.7	432	281	8.6	1.10	5.4	387	246	9.0			1.25	2.3	882			288.00	28	2.00			GS89 GSF89 GSA89 GSAF89	8P	21			93	63.33	2.8	0.85	2.6	801	258.18	28	2.10	3.0	698			222.40	28	2.25	26	91	51.30	2.8	0.85	30	78	43.68	2.8	0.95	35	68	37.66	2.8	1.00	38	64	35.10	2.8	1.00																																																																																																																																																																																															
0.82	2043	1631	27	1.20			1.4	1206	930	28	1.70			1.6	1089	831	28	1.75			1.9	1179	714	11	1.00	GS69R39 GSF69R39 GSA69R39 GSAF69R39	4P	21	113	63.80			5.2	1.20	2.1			1053	637					12	1.15			2.3	954	574			13	1.25	2.7					819			499	14	1.35	3.0	720	438	14	1.50	3.4	639	389	15	1.60	3.6	563	365	7.3	0.85	4.2	491	319	8.1	1.00	4.7	432	281	8.6	1.10	5.4	387	246	9.0	1.25	2.3	882	288.00	28	2.00	GS89 GSF89 GSA89 GSAF89	8P	21	93			63.33	2.8	0.85			2.6	801	258.18					28	2.10	3.0	698	222.40	28	2.25	26	91	51.30	2.8	0.85	30	78			43.68	2.8	0.95	35	68	37.66	2.8	1.00	38	64	35.10	2.8	1.00																																																																																																																																																																																																									
1.4	1206	930	28	1.70			1.6	1089	831	28	1.75			1.9	1179	714	11	1.00			GS69R39 GSF69R39 GSA69R39 GSAF69R39	4P	21	113	63.80			5.2	1.20	2.1			1053	637	12			1.15	2.3					954	574			13	1.25	2.7			819	499	14					1.35	3.0	720	438	14	1.50	3.4	639	389	15	1.60	3.6	563	365	7.3	0.85	4.2	491	319	8.1	1.00	4.7	432	281	8.6	1.10	5.4	387	246	9.0	1.25	2.3	882	288.00	28	2.00	GS89 GSF89 GSA89 GSAF89	8P	21	93	63.33			2.8	0.85			2.6	801	258.18			28	2.10	3.0	698	222.40			28	2.25	26	91	51.30	2.8	0.85	30	78	43.68	2.8	0.95	35	68			37.66	2.8	1.00	38	64	35.10	2.8	1.00																																																																																																																																																																																																														
1.6	1089	831	28	1.75			1.9	1179	714	11	1.00			GS69R39 GSF69R39 GSA69R39 GSAF69R39	4P	21	113	63.80	5.2	1.20			2.1	1053	637			12	1.15	2.3			954	574	13			1.25	2.7					819	499			14	1.35	3.0			720	438	14	1.50	3.4			639	389	15	1.60	3.6	563	365	7.3	0.85	4.2	491	319	8.1	1.00	4.7	432	281	8.6	1.10	5.4	387	246	9.0	1.25	2.3	882	288.00	28	2.00	GS89 GSF89 GSA89 GSAF89	8P	21	93	63.33	2.8	0.85			2.6	801	258.18			28	2.10			3.0	698	222.40	28	2.25	26	91	51.30	2.8	0.85			30	78	43.68	2.8	0.95	35	68	37.66	2.8	1.00	38	64	35.10	2.8	1.00																																																																																																																																																																																																																							
1.9	1179	714	11	1.00	GS69R39 GSF69R39 GSA69R39 GSAF69R39	4P	21	113	63.80	5.2	1.20					2.1	1053	637	12	1.15			2.3	954	574			13	1.25	2.7			819	499	14			1.35	3.0					720	438			14	1.50	3.4	639	389	15	1.60	3.6	563	365			7.3	0.85	4.2	491	319	8.1	1.00	4.7	432	281	8.6	1.10	5.4	387	246	9.0	1.25	2.3	882	288.00	28	2.00	GS89 GSF89 GSA89 GSAF89	8P	21	93	63.33	2.8	0.85			2.6	801	258.18	28	2.10			3.0	698	222.40			28	2.25	26	91	51.30	2.8	0.85	30	78	43.68	2.8	0.95	35	68	37.66	2.8	1.00	38	64	35.10	2.8	1.00																																																																																																																																																																																																																																
2.1	1053	637	12	1.15			2.3	954	574	13	1.25					2.7	819	499	14	1.35			3.0	720	438			14	1.50	3.4			639	389	15			1.60	3.6					563	365	7.3	0.85	4.2	491	319	8.1	1.00	4.7	432	281	8.6	1.10			5.4	387	246	9.0	1.25	2.3	882	288.00	28	2.00	GS89 GSF89 GSA89 GSAF89	8P	21	93	63.33	2.8	0.85	2.6	801	258.18	28	2.10			3.0	698	222.40	28	2.25			26	91	51.30	2.8	0.85			30	78	43.68	2.8	0.95	35	68	37.66	2.8	1.00	38	64	35.10	2.8	1.00																																																																																																																																																																																																																																												
2.3	954	574	13	1.25			2.7	819	499	14	1.35					3.0	720	438	14	1.50			3.4	639	389			15	1.60	3.6			563	365	7.3			0.85	4.2		491	319		8.1	1.00	4.7	432	281	8.6	1.10	5.4	387	246	9.0	1.25	2.3	882			288.00	28	2.00	GS89 GSF89 GSA89 GSAF89	8P	21	93	63.33	2.8	0.85			2.6	801	258.18	28	2.10	3.0	698	222.40	28	2.25			26	91	51.30	2.8	0.85			30	78	43.68	2.8	0.95	35	68	37.66	2.8	1.00	38	64	35.10	2.8	1.00																																																																																																																																																																																																																																																			
2.7	819	499	14	1.35			3.0	720	438	14	1.50					3.4	639	389	15	1.60			3.6	563	365			7.3	0.85	4.2			491	319	8.1	1.00	4.7	432	281		8.6	1.10		5.4	387	246	9.0	1.25	2.3	882	288.00	28	2.00	GS89 GSF89 GSA89 GSAF89	8P	21	93	63.33	2.8	0.85	2.6	801			258.18	28	2.10	3.0	698			222.40	28	2.25	26	91	51.30	2.8	0.85	30	78			43.68	2.8	0.95	35	68	37.66	2.8	1.00	38	64	35.10	2.8	1.00																																																																																																																																																																																																																																																												
3.0	720	438	14	1.50			3.4	639	389	15	1.60					3.6	563	365	7.3	0.85			4.2	491	319			8.1	1.00	4.7	432	281	8.6	1.10	5.4	387	246	9.0	1.25	2.3	882	288.00	28	2.00	GS89 GSF89 GSA89 GSAF89	8P	21	93	63.33	2.8	0.85	2.6	801			258.18	28	2.10	3.0	698	222.40	28			2.25	26	91	51.30	2.8			0.85	30	78	43.68	2.8	0.95	35	68	37.66	2.8	1.00	38	64	35.10	2.8	1.00																																																																																																																																																																																																																																																																					
3.4	639	389	15	1.60			3.6	563	365	7.3	0.85					4.2	491	319	8.1	1.00			4.7	432	281	8.6	1.10	5.4	387	246	9.0	1.25	2.3	882	288.00	28	2.00	GS89 GSF89 GSA89 GSAF89	8P	21	93	63.33	2.8	0.85			2.6	801	258.18	28	2.10	3.0	698			222.40	28	2.25	26	91	51.30	2.8			0.85	30	78	43.68	2.8	0.95	35	68	37.66	2.8	1.00	38	64	35.10	2.8	1.00																																																																																																																																																																																																																																																																												
3.6	563	365	7.3	0.85			4.2	491	319	8.1	1.00	4.7	432			281	8.6	1.10	5.4	387	246	9.0	1.25	2.3	882	288.00	28	2.00	GS89 GSF89 GSA89 GSAF89	8P	21	93	63.33	2.8	0.85	2.6	801			258.18	28	2.10	3.0	698			222.40	28	2.25	26	91	51.30	2.8			0.85	30	78	43.68	2.8	0.95	35	68	37.66	2.8	1.00	38	64	35.10	2.8	1.00																																																																																																																																																																																																																																																																																					
4.2	491	319	8.1	1.00			4.7	432	281	8.6	1.10	5.4	387	246	9.0	1.25	2.3	882	288.00	28	2.00	GS89 GSF89 GSA89 GSAF89	8P	21	93	63.33	2.8	0.85			2.6	801	258.18	28	2.10	3.0	698			222.40	28	2.25	26	91			51.30	2.8	0.85	30	78	43.68	2.8	0.95	35	68	37.66	2.8	1.00	38	64	35.10	2.8	1.00																																																																																																																																																																																																																																																																																												
4.7	432	281	8.6	1.10	5.4	387	246	9.0	1.25	2.3	882	288.00	28	2.00	GS89 GSF89 GSA89 GSAF89	8P	21	93	63.33	2.8	0.85			2.6	801	258.18	28	2.10			3.0	698	222.40	28	2.25	26	91			51.30	2.8	0.85	30	78	43.68	2.8	0.95	35	68	37.66	2.8	1.00	38	64	35.10	2.8	1.00																																																																																																																																																																																																																																																																																																			
5.4	387	246	9.0	1.25	2.3	882	288.00	28	2.00	GS89 GSF89 GSA89 GSAF89	8P	21	93	63.33			2.8	0.85	2.6	801	258.18			28	2.10	3.0	698	222.40			28	2.25	26	91	51.30	2.8	0.85	30	78	43.68	2.8	0.95	35	68	37.66	2.8	1.00	38	64	35.10	2.8	1.00																																																																																																																																																																																																																																																																																																								
2.3	882	288.00	28	2.00	GS89 GSF89 GSA89 GSAF89	8P	21	93	63.33			2.8	0.85	2.6			801	258.18	28	2.10	3.0			698	222.40	28	2.25	26	91	51.30	2.8	0.85	30	78	43.68	2.8	0.95	35	68	37.66	2.8	1.00	38	64	35.10	2.8	1.00																																																																																																																																																																																																																																																																																																													
2.6	801	258.18	28	2.10			3.0	698	222.40			28	2.25	26			91	51.30	2.8	0.85	30	78	43.68	2.8	0.95	35	68	37.66	2.8	1.00	38	64	35.10	2.8	1.00																																																																																																																																																																																																																																																																																																																									
3.0	698	222.40	28	2.25			26	91	51.30			2.8	0.85	30	78	43.68	2.8	0.95	35	68	37.66	2.8	1.00	38	64	35.10	2.8	1.00																																																																																																																																																																																																																																																																																																																																
26	91	51.30	2.8	0.85			30	78	43.68	2.8	0.95	35	68	37.66	2.8	1.00	38	64	35.10	2.8	1.00																																																																																																																																																																																																																																																																																																																																							
30	78	43.68	2.8	0.95	35	68	37.66	2.8	1.00	38	64	35.10	2.8	1.00																																																																																																																																																																																																																																																																																																																																														
35	68	37.66	2.8	1.00	38	64	35.10	2.8	1.00																																																																																																																																																																																																																																																																																																																																																			
38	64	35.10	2.8	1.00																																																																																																																																																																																																																																																																																																																																																								

选型参数表
(恒功率)
Selection Table
(Constant Power)

n_a [r/min]	M_a [N.m]	i	F_{Ra} [kN]	f_B	机型号 Type size	极数 Pole	n_a [r/min]	M_a [N.m]	i	F_{Ra} [kN]	f_B	机型号 Type size	极数 Pole
0.37kW							0.55kW						
43	57	30.68	2.8	1.05	GS39 GSF39 GSA39 GSAF39	4P	5.4	594	256.47	15	1.70	GS79	4P
46	53	28.76	2.8	1.10			6.2	531	225.26	15	1.80	GSF79	
52	47	25.38	2.8	1.20			6.5	504	214.00	15	1.85	GSA79	
59	42	22.50	2.7	1.20			7.4	455	189.09	15	1.95	GSAF79	
70	40	19.13	2.5	1.30			6.4	468	217.41	8.2	1.00	GS69	4P
71	37	18.85	2.4	1.25			7.3	419	190.11	8.7	1.10	GSF69	
81	32	16.48	2.4	1.30			7.7	401	180.60	8.8	1.15	GSA69	
86	27	15.45	2.4	1.35			8.8	356	158.45	9.1	1.30	GSAF69	
98	25	13.63	2.3	1.40			10	306	134.40	9.4	1.50		4P
110	23	12.08	2.3	1.40			11	279	121.33	10	1.55		
130	21	10.27	2.2	1.50	13	248	106.75	10	1.65	GS69			
108	25	25.38	2.4	1.45	14	239	100.80	10	1.65	GSF69			
122	23	22.50	2.3	1.50	16	207	85.83	10	1.75	GSA69	4P		
143	22	19.13	2.2	1.60	19	207	75.06	10	1.70	GSAF69			
145	20	18.85	2.1	1.55	21	185	65.63	10	1.75				
166	17	16.48	2.1	1.65	9.5	306	94.08	6.4	0.85			6P	
177	14	15.45	2.1	1.65	11	275	84.00	6.7	0.95				
201	14	13.63	2.0	1.75	12	239	71.75	7.0	1.10	GS59			
227	12	12.08	1.9	1.80	13	225	67.20	7.1	1.15	GSF59			
267	11	10.27	1.8	1.95	16	221	54.59	7.1	1.10	GSA59			
					19	194	47.32	7.3	1.30	GSAF59			
0.55kW							20	180	44.23	7.4	1.35		4P
0.55	6307	2530	40	1.05	23	158	38.23	7.5	1.40				
1.0	2565	1332	24	0.90	8.8	333	158.12	6.0	0.80				
1.2	2313	1191	26	1.00	10	297	137.05	6.5	0.90				
1.3	2016	1032	27	1.15	11	279	128.10	6.7	0.95				
1.5	1863	930	27	1.25	13	243	110.73	7.0	1.10				
1.7	1683	831	27	1.35	15	212	94.08	7.2	1.25				
1.9	1458	719	28	1.55	17	189	84.00	7.3	1.30				
2.2	1278	624	28	1.60	19	166	71.75	7.5	1.40	GS59			
2.5	1152	558	28	1.70	21	157	67.20	7.5	1.40	GSF59			
3.2	918	435	28	1.90	25	150	54.59	7.6	1.45	GSA59			
3.2	1107	438	12	1.05	29	131	47.32	7.6	1.55	GSAF59			
3.6	981	389	13	1.15	31	123	44.23	7.7	1.55				
4.3	828	327	14	1.35	36	108	38.23	7.7	1.65				
4.8	747	289	14	1.45	43	93	32.48	7.6	1.75				
5.6	648	250	15	1.55	48	83	29.00	7.3	1.85				
5.7	594	246	6.3	0.85	56	71	24.77	7.0	1.95				
6.3	531	221	7.7	0.95	60	68	23.20	6.9	2.00				
7.0	482	198	8.2	1.05	71	62	19.54	6.4	2.10				
8.3	414	168	8.8	1.20	17	185	84.00	4.9	0.80				
					19	161	71.75	5.0	0.95				
					21	152	67.20	5.1	1.00				
					25	149	54.59	4.9	0.95				
					29	130	47.32	4.8	1.10				
					31	122	44.23	4.7	1.15				
					36	106	38.23	4.6	1.20				
					43	91	32.48	4.4	1.30	GS49			
					48	82	29.00	4.3	1.30	GSF49			
					56	70	24.77	4.2	1.40	GSA49			
					60	67	23.20	4.1	1.45	GSAF49			
					71	62	19.54	3.7	1.55				
					78	54	17.80	3.6	1.65				
					92	50	15.12	3.6	1.75				
					103	44	13.50	3.4	1.80				
					121	38	11.53	3.3	1.90				
					129	33	10.80	3.2	1.95				
					153	29	9.10	3.1	2.10				
					45	85	30.68	2.5	0.80	GS39			
					48	80	28.76	2.5	0.85	GSF39			
					55	71	25.38	2.5	0.95	GSA39			
					62	63	22.50	2.5	1.00	GSAF39			

**选型参数表
(恒功率)**
**Selection Table
(Constant Power)**

n_a [r/min]	M_a [N.m]	i	F_{Ra} [kN]	f_B	机型号 Type size	极数 Pole	n_a [r/min]	M_a [N.m]	i	F_{Ra} [kN]	f_B	机型号 Type size	极数 Pole																																																																																																																																																																																																																																																																																																																																																																																																																																																																																																																																																								
0.55kW							0.75kW																																																																																																																																																																																																																																																																																																																																																																																																																																																																																																																																																														
73	54	19.13	2.4	1.05	GS39 GSF39 GSA39 GSAF39	4P	8.6	527	161.60	15	1.75	GS79 GSF79 GSA79 GSAF79	4P																																																																																																																																																																																																																																																																																																																																																																																																																																																																																																																																																								
74	53	18.85	2.4	1.05			84	48	16.48	2.2	1.10			90	45	15.45	2.1	1.10	102	40	13.63	2.1	1.15	115	36	12.08	2.1	1.20	135	31	10.27	2.0	1.30	0.75kW							0.75kW							95	41	28.76	2.3	1.15	GS39 GSF39 GSA39 GSAF39	2P	7.3	563	190.11	7.2	0.80	GS69 GSF69 GSA69 GSAF69	4P	108	37	25.38	2.2	1.20	122	33	22.50	2.2	1.25	143	28	19.13	2.0	1.30	145	28	18.85	2.0	1.30	166	24	16.48	1.9	1.35	177	23	15.45	1.9	1.35	201	21	13.63	1.9	1.45	227	18	12.08	1.7	1.50	267	15	10.27	1.7	1.60	0.63	8406	2208	40	0.85	GS109R79 GSF109R79 GSA109R79 GSAF109R79	4P	13	329	71.75	6.1	0.80	GS59 GSF59 GSA59 GSAF59	6P	0.71	6628	1950	40	1.00	1.1	4419	1223	20	0.85	GS99R59 GSF99R59 GSA99R59 GSAF99R59	4P	14	311	67.20	6.3	0.85	1.3	3870	1070	29	1.00	1.5	3339	928	32	1.15	1.7	2943	824	33	1.30	1.9	2097	714	34	1.75	2.2	2232	626	34	1.70	2.6	1917	538	34	1.85	2.9	1737	484	34	1.95	1.3	2754	1032	18	0.90	GS89R59 GSF89R59 GSA89R59 GSAF89R59	4P	15	284	56.61	6.8	1.00	1.5	2538	930	25	1.00	1.7	2286	831	26	1.10	1.9	1998	719	27	1.25	2.2	1746	624	27	1.40	2.5	1575	558	27	1.45	3.2	1260	435	28	1.60	4.3	963	323	28	1.85	4.3	1125	327	11	1.05	GS79R39 GSF79R39 GSA79R39 GSAF79R39	4P	16	266	47.32	6.8	0.90	4.8	1008	289	12	1.15	5.6	873	250	13	1.30	6.3	774	219	14	1.40	2.4	1836	286.40	34	1.90	GS99 GSF99 GSA99 GSAF99	8P	17	248	44.23	6.9	1.00	2.6	1701	262.22	34	1.95	3.0	1521	231.67	35	2.05	3.2	1386	288.00	28	1.60	GS89 GSF89 GSA89 GSAF89	6P	18	248	44.23	6.9	1.00	3.5	1260	258.18	28	1.65	4.1	1098	222.40	28	1.80	4.5	1008	202.96	28	1.85	4.8	945	288.00	28	1.90	5.4	855	258.18	28	2.00	GS89 GSF89 GSA89 GSAF89	4P	19	225	71.75	7.1	1.15	6.3	747	222.40	28	2.10	6.8	689	202.96	28	2.20	7.4	608	189.09	15	1.65	4.0	1044	225.26	12	1.10	GS79 GSF79 GSA79 GSAF79	6P	20	212	67.20	7.2	1.20	4.3	999	214.00	12	1.15	4.8	891	189.09	13	1.30	5.6	774	161.60	14	1.45	GS79 GSF79 GSA79 GSAF79	4P	21	212	67.20	7.2	1.20	5.4	801	256.47	14	1.45	6.2	711	225.26	14	1.55	6.5	680	214.00	14	1.60	7.4	608	189.09	15	1.65	7.3	73	19.13	2.2	0.85	GS49 GSF49 GSA49 GSAF49	4P	22	234	62.35	10	1.60	102	52	13.63	1.9	0.85	115	47	12.08	1.8	0.95	135	40	10.27	1.8	1.00	148	39	19.13	2.0	1.10	208	28	13.63	1.7	1.25	234	24	12.08	1.7	1.30	276	21	10.27	1.7	1.35	29	175	47.32	4.3	0.80	31	164	44.23	4.3	0.85	36	143	38.23	4.2	1.00	43	122	32.48	4.1	1.10	48	110	29.00	4.0	1.15	56	95	24.77	3.9	1.20	60	89	23.20	3.9	1.25	71	84	19.54	3.4	1.30	78	73	17.80	3.4	1.40	92	68	15.12	3.3	1.50	103	59	13.50	3.2	1.55	121	50	11.53	3.1	1.65	129	45	10.80	3.1	1.70	153	39	9.10	3.0	1.80																																																			
84	48	16.48	2.2	1.10			90	45	15.45	2.1	1.10			102	40	13.63	2.1	1.15	115	36	12.08	2.1	1.20	135	31	10.27	2.0	1.30	0.75kW							0.75kW							95	41	28.76	2.3	1.15	GS39 GSF39 GSA39 GSAF39	2P	7.3	563	190.11			7.2	0.80	GS69 GSF69 GSA69 GSAF69	4P	108			37	25.38	2.2	1.20	122	33	22.50	2.2	1.25	143	28	19.13	2.0	1.30	145	28	18.85	2.0	1.30	166	24	16.48	1.9	1.35	177	23	15.45	1.9	1.35	201	21	13.63	1.9	1.45	227	18	12.08	1.7	1.50	267	15	10.27	1.7	1.60	0.63	8406	2208	40	0.85	GS109R79 GSF109R79 GSA109R79 GSAF109R79			4P	13	329	71.75	6.1			0.80	GS59 GSF59 GSA59 GSAF59	6P	0.71	6628	1950	40	1.00	1.1	4419			1223	20	0.85	GS99R59 GSF99R59 GSA99R59 GSAF99R59	4P	14	311	67.20	6.3	0.85	1.3	3870	1070	29	1.00	1.5	3339	928	32	1.15	1.7	2943	824	33	1.30	1.9	2097	714	34	1.75	2.2	2232	626	34	1.70	2.6	1917	538	34	1.85	2.9	1737	484	34	1.95			1.3	2754	1032	18	0.90	GS89R59 GSF89R59 GSA89R59 GSAF89R59	4P	15	284	56.61	6.8	1.00	1.5	2538	930	25	1.00	1.7	2286	831	26	1.10	1.9	1998	719	27	1.25	2.2	1746	624	27	1.40	2.5	1575	558	27	1.45	3.2	1260	435	28	1.60	4.3	963	323			28	1.85	4.3	1125	327	11	1.05	GS79R39 GSF79R39 GSA79R39 GSAF79R39	4P	16	266	47.32	6.8	0.90	4.8	1008	289	12	1.15	5.6	873	250	13	1.30	6.3			774	219	14	1.40	2.4	1836	286.40	34	1.90	GS99 GSF99 GSA99 GSAF99	8P	17	248	44.23	6.9	1.00	2.6	1701	262.22	34			1.95	3.0	1521	231.67	35	2.05	3.2	1386	288.00	28	1.60	GS89 GSF89 GSA89 GSAF89	6P	18	248	44.23	6.9	1.00	3.5	1260	258.18	28	1.65	4.1	1098	222.40	28	1.80	4.5	1008			202.96	28	1.85	4.8	945	288.00	28	1.90	5.4	855	258.18	28	2.00	GS89 GSF89 GSA89 GSAF89	4P	19	225	71.75	7.1	1.15	6.3	747	222.40	28	2.10			6.8	689	202.96	28	2.20	7.4	608	189.09	15	1.65	4.0	1044	225.26	12	1.10	GS79 GSF79 GSA79 GSAF79	6P	20	212	67.20			7.2	1.20	4.3	999	214.00	12	1.15	4.8	891	189.09	13	1.30	5.6	774	161.60	14	1.45	GS79 GSF79 GSA79 GSAF79	4P	21	212	67.20	7.2	1.20	5.4	801	256.47	14	1.45	6.2			711	225.26	14	1.55	6.5	680	214.00	14	1.60	7.4	608	189.09	15	1.65	7.3	73	19.13	2.2	0.85	GS49 GSF49 GSA49 GSAF49	4P	22	234	62.35	10	1.60	102	52	13.63	1.9	0.85	115	47	12.08	1.8	0.95	135	40	10.27	1.8	1.00	148	39	19.13	2.0	1.10	208	28	13.63	1.7	1.25	234	24	12.08	1.7	1.30	276	21	10.27	1.7	1.35	29	175	47.32	4.3	0.80	31	164	44.23	4.3	0.85	36	143	38.23	4.2	1.00	43	122	32.48	4.1	1.10	48	110	29.00	4.0	1.15	56	95	24.77	3.9	1.20	60	89	23.20	3.9	1.25	71	84	19.54	3.4	1.30	78	73	17.80	3.4	1.40	92	68	15.12	3.3	1.50	103	59	13.50	3.2	1.55	121	50	11.53	3.1	1.65	129	45	10.80	3.1	1.70	153	39	9.10	3.0	1.80																														
90	45	15.45	2.1	1.10			102	40	13.63	2.1	1.15			115	36	12.08	2.1	1.20	135	31	10.27	2.0	1.30	0.75kW							0.75kW							95	41	28.76	2.3	1.15	GS39 GSF39 GSA39 GSAF39	2P	7.3	563	190.11			7.2	0.80	GS69 GSF69 GSA69 GSAF69			4P	108			37			25.38	2.2	1.20	122	33	22.50	2.2	1.25	143	28	19.13	2.0	1.30	145	28	18.85	2.0	1.30	166	24	16.48	1.9	1.35	177	23	15.45	1.9	1.35	201	21	13.63	1.9	1.45	227	18	12.08	1.7	1.50	267	15	10.27	1.7	1.60	0.63	8406	2208	40	0.85	GS109R79 GSF109R79 GSA109R79 GSAF109R79		4P	13		329	71.75	6.1	0.80			GS59 GSF59 GSA59 GSAF59			6P	0.71	6628	1950	40	1.00	1.1			4419	1223	20			0.85	GS99R59 GSF99R59 GSA99R59 GSAF99R59	4P	14	311	67.20	6.3	0.85	1.3	3870	1070	29	1.00	1.5	3339	928	32	1.15	1.7	2943	824	33	1.30	1.9	2097	714	34	1.75	2.2	2232	626	34	1.70	2.6	1917	538	34	1.85	2.9	1737			484	34	1.95	1.3	2754			1032	18	0.90	GS89R59 GSF89R59 GSA89R59 GSAF89R59	4P	15	284	56.61	6.8	1.00	1.5	2538	930	25	1.00	1.7	2286	831	26	1.10	1.9	1998	719	27	1.25	2.2	1746	624	27	1.40	2.5	1575	558	27	1.45	3.2	1260	435			28	1.60	4.3	963	323	28	1.85			4.3	1125	327	11	1.05	GS79R39 GSF79R39 GSA79R39 GSAF79R39	4P	16	266	47.32	6.8	0.90	4.8	1008	289	12			1.15	5.6	873	250	13	1.30	6.3	774	219			14	1.40	2.4	1836	286.40	34	1.90	GS99 GSF99 GSA99 GSAF99	8P			17	248	44.23	6.9	1.00	2.6	1701	262.22	34	1.95	3.0			1521	231.67	35	2.05	3.2	1386	288.00	28	1.60	GS89 GSF89 GSA89 GSAF89	6P	18	248	44.23	6.9	1.00	3.5			1260	258.18	28	1.65	4.1	1098	222.40	28	1.80	4.5	1008	202.96	28			1.85	4.8	945	288.00	28	1.90	5.4	855	258.18	28			2.00	GS89 GSF89 GSA89 GSAF89	4P	19	225	71.75	7.1	1.15	6.3	747	222.40	28	2.10	6.8	689			202.96	28	2.20			7.4	608	189.09	15	1.65	4.0	1044	225.26	12	1.10	GS79 GSF79 GSA79 GSAF79	6P	20	212	67.20	7.2	1.20			4.3	999	214.00	12	1.15	4.8	891	189.09	13	1.30	5.6			774	161.60	14	1.45	GS79 GSF79 GSA79 GSAF79	4P	21	212	67.20	7.2	1.20	5.4	801	256.47	14	1.45	6.2	711	225.26			14	1.55	6.5	680	214.00	14	1.60	7.4	608	189.09	15	1.65	7.3	73	19.13	2.2	0.85	GS49 GSF49 GSA49 GSAF49	4P	22	234	62.35	10	1.60	102	52	13.63	1.9	0.85	115	47	12.08	1.8	0.95	135	40	10.27	1.8	1.00	148	39	19.13	2.0	1.10	208	28	13.63	1.7	1.25	234	24	12.08	1.7	1.30	276	21	10.27	1.7	1.35	29	175	47.32	4.3	0.80	31	164	44.23	4.3	0.85	36	143	38.23	4.2	1.00	43	122	32.48	4.1	1.10	48	110	29.00	4.0	1.15	56	95	24.77	3.9	1.20	60	89	23.20	3.9	1.25	71	84	19.54	3.4	1.30	78	73	17.80	3.4	1.40	92	68	15.12	3.3	1.50	103	59	13.50	3.2	1.55	121	50	11.53	3.1	1.65	129	45	10.80	3.1	1.70	153	39	9.10	3.0	1.80											
102	40	13.63	2.1	1.15			115	36	12.08	2.1	1.20			135	31	10.27	2.0	1.30	0.75kW							0.75kW							95	41	28.76	2.3	1.15	GS39 GSF39 GSA39 GSAF39	2P	7.3	563	190.11			7.2	0.80	GS69 GSF69 GSA69 GSAF69			4P	108					37			25.38			2.2	1.20	122	33	22.50	2.2	1.25	143	28	19.13	2.0	1.30	145	28	18.85	2.0	1.30	166	24	16.48	1.9	1.35	177	23	15.45	1.9	1.35	201	21	13.63	1.9	1.45	227	18	12.08	1.7	1.50	267	15	10.27	1.7	1.60	0.63	8406	2208	40	0.85	GS109R79 GSF109R79 GSA109R79 GSAF109R79		4P		13	329	71.75	6.1	0.80	GS59 GSF59 GSA59 GSAF59							6P	0.71	6628	1950	40	1.00			1.1	4419	1223			20			0.85	GS99R59 GSF99R59 GSA99R59 GSAF99R59	4P	14	311	67.20	6.3	0.85	1.3	3870	1070	29	1.00	1.5	3339	928	32	1.15	1.7	2943	824	33	1.30	1.9	2097	714	34	1.75	2.2	2232	626	34	1.70	2.6	1917	538	34			1.85	2.9	1737	484	34			1.95	1.3	2754			1032	18	0.90	GS89R59 GSF89R59 GSA89R59 GSAF89R59	4P	15	284	56.61	6.8	1.00	1.5	2538	930	25	1.00	1.7	2286	831	26	1.10	1.9	1998	719	27	1.25	2.2	1746	624	27	1.40	2.5	1575	558			27	1.45	3.2	1260	435	28	1.60			4.3	963	323	28	1.85			4.3	1125	327	11	1.05	GS79R39 GSF79R39 GSA79R39 GSAF79R39	4P	16	266	47.32	6.8	0.90	4.8	1008	289	12	1.15	5.6	873	250			13	1.30	6.3	774	219	14	1.40					2.4	1836	286.40	34	1.90	GS99 GSF99 GSA99 GSAF99	8P	17	248	44.23	6.9			1.00	2.6	1701	262.22	34	1.95	3.0	1521	231.67			35	2.05	3.2	1386	288.00	28			1.60	GS89 GSF89 GSA89 GSAF89	6P	18	248	44.23	6.9	1.00	3.5	1260	258.18	28	1.65			4.1	1098	222.40	28	1.80	4.5	1008	202.96	28	1.85	4.8	945	288.00			28	1.90	5.4	855	258.18	28	2.00	GS89 GSF89 GSA89 GSAF89	4P	19	225	71.75			7.1	1.15	6.3			747	222.40	28	2.10	6.8	689	202.96	28	2.20	7.4			608	189.09	15	1.65	4.0			1044	225.26	12	1.10	GS79 GSF79 GSA79 GSAF79	6P	20	212	67.20	7.2	1.20			4.3	999	214.00	12			1.15	4.8	891	189.09	13	1.30	5.6	774	161.60	14	1.45	GS79 GSF79 GSA79 GSAF79	4P			21	212	67.20	7.2	1.20	5.4	801	256.47	14	1.45	6.2	711	225.26	14	1.55	6.5	680			214.00	14	1.60	7.4	608	189.09	15	1.65	7.3	73	19.13	2.2	0.85	GS49 GSF49 GSA49 GSAF49	4P	22	234	62.35	10	1.60	102	52	13.63	1.9	0.85	115	47	12.08	1.8	0.95	135	40	10.27	1.8	1.00	148	39	19.13	2.0	1.10	208	28	13.63	1.7	1.25	234	24	12.08	1.7	1.30	276	21	10.27	1.7	1.35	29	175	47.32	4.3	0.80	31	164	44.23	4.3	0.85	36	143	38.23	4.2	1.00	43	122	32.48	4.1	1.10	48	110	29.00	4.0	1.15	56	95	24.77	3.9	1.20	60	89	23.20	3.9	1.25	71	84	19.54	3.4	1.30	78	73	17.80	3.4	1.40	92	68	15.12	3.3	1.50	103	59	13.50	3.2	1.55	121	50	11.53	3.1	1.65	129	45	10.80	3.1	1.70	153
115	36	12.08	2.1	1.20	135	31	10.27	2.0	1.30	0.75kW							0.75kW							95	41	28.76	2.3	1.15	GS39 GSF39 GSA39 GSAF39	2P	7.3	563	190.11	7.2	0.80	GS69 GSF69 GSA69 GSAF69	4P			108	37	25.38			2.2	1.20					122					33			22.50			2.2	1.25	143	28	19.13	2.0	1.30	145	28	18.85	2.0	1.30	166	24	16.48	1.9	1.35	177	23	15.45	1.9	1.35	201	21	13.63	1.9	1.45	227	18	12.08	1.7	1.50	267	15	10.27	1.7	1.60	0.63	8406	2208	40	0.85	GS109R79 GSF109R79 GSA109R79 GSAF109R79	4P	13	329	71.75		6.1		0.80	GS59 GSF59 GSA59 GSAF59	6P	0.71	6628	1950									40	1.00	1.1	4419	1223			20	0.85	GS99R59 GSF99R59 GSA99R59 GSAF99R59			4P			14			311	67.20	6.3	0.85	1.3	3870	1070	29	1.00	1.5	3339	928	32	1.15	1.7	2943	824	33	1.30	1.9	2097	714	34	1.75	2.2	2232	626	34	1.70	2.6	1917	538	34	1.85			2.9	1737	484	34	1.95			1.3	2754	1032			18	0.90	GS89R59 GSF89R59 GSA89R59 GSAF89R59			4P	15	284	56.61	6.8	1.00	1.5	2538	930	25	1.00	1.7	2286	831	26	1.10	1.9	1998	719	27	1.25	2.2	1746	624	27	1.40	2.5	1575	558	27	1.45	3.2	1260	435	28	1.60	4.3			963	323	28	1.85	4.3			1125	327	11	1.05	GS79R39 GSF79R39 GSA79R39 GSAF79R39			4P	16	266	47.32	6.8	0.90	4.8	1008	289	12	1.15	5.6	873	250	13	1.30	6.3	774	219	14	1.40	2.4					1836	286.40	34	1.90	GS99 GSF99 GSA99 GSAF99			8P	17	248	44.23			6.9	1.00	2.6	1701	262.22	34	1.95	3.0	1521			231.67	35	2.05	3.2	1386	288.00	28	1.60	GS89 GSF89 GSA89 GSAF89			6P	18	248	44.23	6.9	1.00	3.5	1260	258.18	28			1.65	4.1	1098	222.40	28	1.80	4.5	1008	202.96	28	1.85	4.8	945			288.00	28	1.90	5.4	855	258.18	28			2.00	GS89 GSF89 GSA89 GSAF89	4P	19	225	71.75	7.1	1.15			6.3	747	222.40	28	2.10	6.8	689	202.96	28	2.20			7.4	608	189.09	15	1.65			4.0	1044	225.26	12			1.10	GS79 GSF79 GSA79 GSAF79	6P	20	212			67.20	7.2	1.20	4.3			999	214.00	12	1.15	4.8	891	189.09	13	1.30	5.6	774					161.60	14	1.45	GS79 GSF79 GSA79 GSAF79	4P	21	212	67.20	7.2	1.20	5.4	801	256.47	14	1.45	6.2	711			225.26	14	1.55	6.5	680	214.00	14	1.60	7.4	608	189.09	15	1.65			7.3	73	19.13	2.2	0.85	GS49 GSF49 GSA49 GSAF49	4P	22	234	62.35	10	1.60	102	52	13.63	1.9	0.85	115	47	12.08	1.8	0.95	135	40	10.27	1.8	1.00	148	39	19.13	2.0	1.10	208	28	13.63	1.7	1.25	234	24	12.08	1.7	1.30	276	21	10.27	1.7	1.35	29	175	47.32	4.3	0.80	31	164	44.23	4.3	0.85	36	143	38.23	4.2	1.00	43	122	32.48	4.1	1.10	48	110	29.00	4.0	1.15	56	95	24.77	3.9	1.20	60	89	23.20	3.9	1.25	71	84	19.54	3.4	1.30	78	73	17.80	3.4	1.40	92	68	15.12	3.3	1.50	103	59	13.50	3.2	1.55	121	50	11.53	3.1
135	31	10.27	2.0	1.30	0.75kW							0.75kW							95	41	28.76	2.3	1.15	GS39 GSF39 GSA39 GSAF39	2P	7.3	563	190.11			7.2	0.80	GS69 GSF69 GSA69 GSAF69	4P	108					37	25.38	2.2			1.20	122					33					22.50			2.2			1.25	143	28	19.13	2.0	1.30	145	28	18.85	2.0	1.30	166	24	16.48	1.9	1.35	177	23	15.45	1.9	1.35	201	21	13.63	1.9	1.45	227	18	12.08	1.7	1.50	267	15	10.27	1.7	1.60	0.63	8406	2208	40	0.85	GS109R79 GSF109R79 GSA109R79 GSAF109R79			4P	13	329	71.75	6.1	0.80	GS59 GSF59 GSA59 GSAF59			6P	0.71	6628		1950	40						1.00	1.1	4419	1223	20			0.85	GS99R59 GSF99R59 GSA99R59 GSAF99R59							4P			14	311	67.20	6.3	0.85	1.3	3870	1070	29	1.00	1.5	3339	928	32	1.15	1.7	2943	824	33	1.30	1.9	2097	714	34	1.75	2.2	2232	626	34	1.70	2.6	1917	538	34			1.85	2.9	1737	484	34			1.95	1.3	2754			1032	18					0.90	GS89R59 GSF89R59 GSA89R59 GSAF89R59	4P	15	284	56.61	6.8	1.00	1.5	2538	930	25	1.00	1.7	2286	831	26	1.10	1.9	1998	719	27	1.25	2.2	1746	624	27	1.40	2.5	1575	558	27	1.45	3.2	1260	435	28	1.60	4.3	963	323	28	1.85			4.3	1125	327	11					1.05	GS79R39 GSF79R39 GSA79R39 GSAF79R39	4P	16	266	47.32	6.8	0.90	4.8	1008	289	12	1.15	5.6	873	250	13	1.30	6.3	774	219	14	1.40	2.4	1836	286.40	34	1.90	GS99 GSF99 GSA99 GSAF99					8P	17	248			44.23	6.9	1.00	2.6	1701	262.22	34	1.95	3.0			1521	231.67	35	2.05	3.2	1386	288.00	28					1.60	GS89 GSF89 GSA89 GSAF89	6P	18	248	44.23	6.9	1.00	3.5	1260	258.18	28	1.65	4.1	1098	222.40	28	1.80	4.5	1008	202.96	28	1.85	4.8			945	288.00	28	1.90	5.4	855	258.18			28			2.00	GS89 GSF89 GSA89 GSAF89	4P	19	225	71.75	7.1	1.15	6.3	747	222.40	28	2.10	6.8	689	202.96	28	2.20	7.4	608	189.09	15	1.65	4.0			1044	225.26	12	1.10			GS79 GSF79 GSA79 GSAF79			6P	20			212	67.20	7.2	1.20			4.3	999	214.00	12	1.15	4.8	891	189.09	13	1.30	5.6					774	161.60	14			1.45	GS79 GSF79 GSA79 GSAF79	4P	21	212	67.20	7.2	1.20	5.4	801	256.47	14			1.45	6.2	711	225.26	14	1.55	6.5	680	214.00	14	1.60	7.4	608			189.09	15	1.65	7.3	73			19.13	2.2	0.85	GS49 GSF49 GSA49 GSAF49	4P	22	234	62.35	10	1.60	102	52	13.63	1.9	0.85	115	47	12.08	1.8	0.95	135	40	10.27	1.8	1.00	148	39	19.13	2.0	1.10	208	28	13.63	1.7	1.25	234	24	12.08	1.7	1.30	276	21	10.27	1.7	1.35	29	175	47.32	4.3	0.80	31	164	44.23	4.3	0.85	36	143	38.23	4.2	1.00	43	122	32.48	4.1	1.10	48	110	29.00	4.0	1.15	56	95	24.77	3.9	1.20	60	89	23.20	3.9	1.25	71	84	19.54	3.4	1.30	78	73	17.80	3.4	1.40	92	68	15.12	3.3	1.50	103	59	13.50	3.2
0.75kW							0.75kW																																																																																																																																																																																																																																																																																																																																																																																																																																																																																																																																																														
95	41	28.76	2.3	1.15	GS39 GSF39 GSA39 GSAF39	2P	7.3	563	190.11	7.2	0.80	GS69 GSF69 GSA69 GSAF69	4P																																																																																																																																																																																																																																																																																																																																																																																																																																																																																																																																																								
108	37	25.38	2.2	1.20			122	33	22.50	2.2	1.25			143	28	19.13	2.0	1.30	145	28	18.85	2.0	1.30			166	24	16.48			1.9	1.35			177					23	15.45	1.9			1.35	201					21					13.63			1.9			1.45	227	18	12.08	1.7	1.50	267	15	10.27	1.7	1.60	0.63	8406	2208	40	0.85	GS109R79 GSF109R79 GSA109R79 GSAF109R79	4P	13	329	71.75	6.1	0.80	GS59 GSF59 GSA59 GSAF59	6P	0.71	6628	1950	40	1.00	1.1	4419	1223	20	0.85	GS99R59 GSF99R59 GSA99R59 GSAF99R59	4P	14	311	67.20	6.3	0.85	1.3	3870	1070	29	1.00	1.5	3339	928					32	1.15	1.7	2943	824	33	1.30	1.9	2097	714	34	1.75	2.2	2232	626	34	1.70	2.6			1917	538							34	1.85	2.9	1737	484	34	1.95	1.3	2754	1032	18	0.90	GS89R59 GSF89R59 GSA89R59 GSAF89R59	4P	15	284	56.61	6.8	1.00	1.5	2538	930	25	1.00	1.7	2286	831	26	1.10	1.9	1998	719	27	1.25	2.2	1746	624	27	1.40	2.5	1575			558	27	1.45			3.2	1260					435			28	1.60	4.3	963	323	28	1.85	4.3	1125	327	11	1.05	GS79R39 GSF79R39 GSA79R39 GSAF79R39	4P	16	266	47.32	6.8	0.90	4.8	1008	289	12	1.15	5.6	873	250	13	1.30	6.3	774	219	14	1.40	2.4	1836	286.40	34	1.90	GS99 GSF99 GSA99 GSAF99	8P	17	248	44.23	6.9	1.00	2.6	1701	262.22	34	1.95			3.0	1521	231.67	35	2.05	3.2	1386	288.00	28	1.60	GS89 GSF89 GSA89 GSAF89	6P	18	248	44.23	6.9	1.00	3.5	1260	258.18	28	1.65	4.1	1098	222.40	28	1.80	4.5	1008	202.96	28	1.85	4.8	945	288.00	28	1.90	5.4	855	258.18	28	2.00	GS89 GSF89 GSA89 GSAF89	4P	19	225	71.75	7.1	1.15	6.3	747	222.40	28	2.10		6.8	689		202.96			28	2.20	7.4	608	189.09	15	1.65	4.0	1044	225.26	12	1.10	GS79 GSF79 GSA79 GSAF79	6P	20	212	67.20	7.2	1.20	4.3	999	214.00	12	1.15	4.8	891	189.09	13	1.30	5.6	774	161.60	14	1.45	GS79 GSF79 GSA79 GSAF79	4P			21	212	67.20	7.2	1.20	5.4	801	256.47	14	1.45	6.2	711	225.26	14	1.55	6.5	680	214.00	14	1.60	7.4	608	189.09	15	1.65	7.3	73	19.13	2.2	0.85	GS49 GSF49 GSA49 GSAF49	4P	22	234			62.35	10	1.60	102	52	13.63	1.9	0.85	115	47	12.08	1.8	0.95	135	40	10.27	1.8	1.00	148			39	19.13	2.0			1.10			208	28	13.63	1.7	1.25	234	24	12.08	1.7			1.30	276	21	10.27	1.7	1.35	29	175	47.32	4.3	0.80	31	164			44.23	4.3	0.85	36	143			38.23	4.2	1.00			43	122	32.48	4.1	1.10	48	110	29.00	4.0	1.15	56	95	24.77	3.9	1.20	60	89	23.20	3.9	1.25	71	84	19.54	3.4	1.30	78	73	17.80	3.4	1.40	92	68	15.12	3.3	1.50	103	59	13.50	3.2	1.55	121	50	11.53	3.1	1.65	129	45	10.80	3.1	1.70	153	39	9.10	3.0	1.80																																							
122	33	22.50	2.2	1.25			143	28	19.13	2.0	1.30			145	28	18.85	2.0	1.30	166	24	16.48	1.9	1.35			177	23	15.45			1.9	1.35			201					21	13.63	1.9			1.45	227					18					12.08			1.7			1.50	267	15	10.27	1.7	1.60	0.63	8406	2208	40	0.85	GS109R79 GSF109R79 GSA109R79 GSAF109R79	4P	13	329	71.75			6.1	0.80	GS59 GSF59 GSA59 GSAF59	6P	0.71			6628	1950	40	1.00	1.1	4419	1223	20	0.85	GS99R59 GSF99R59 GSA99R59 GSAF99R59			4P	14	311	67.20	6.3	0.85	1.3	3870	1070	29	1.00	1.5	3339		928	32		1.15	1.7	2943	824	33	1.30	1.9	2097	714	34	1.75	2.2	2232	626	34	1.70	2.6	1917			538	34		1.85	2.9				1737	484	34	1.95	1.3	2754	1032	18	0.90	GS89R59 GSF89R59 GSA89R59 GSAF89R59	4P	15			284	56.61	6.8	1.00	1.5	2538	930	25	1.00	1.7	2286	831	26	1.10	1.9	1998	719	27	1.25	2.2	1746	624	27	1.40	2.5	1575	558	27	1.45	3.2	1260	435			28	1.60					4.3			963	323	28	1.85	4.3	1125	327	11	1.05	GS79R39 GSF79R39 GSA79R39 GSAF79R39	4P	16			266	47.32	6.8	0.90	4.8	1008	289	12	1.15	5.6	873	250	13	1.30	6.3	774	219	14	1.40	2.4	1836	286.40	34	1.90	GS99 GSF99 GSA99 GSAF99			8P	17	248	44.23	6.9	1.00	2.6	1701	262.22	34	1.95	3.0	1521	231.67	35	2.05	3.2	1386	288.00	28	1.60	GS89 GSF89 GSA89 GSAF89			6P	18	248	44.23	6.9	1.00	3.5	1260	258.18	28	1.65	4.1	1098	222.40	28	1.80	4.5	1008	202.96	28	1.85	4.8	945	288.00	28	1.90	5.4	855	258.18	28			2.00	GS89 GSF89 GSA89 GSAF89	4P	19	225	71.75	7.1	1.15	6.3	747	222.40	28	2.10	6.8	689			202.96	28	2.20	7.4	608	189.09	15	1.65	4.0	1044	225.26	12			1.10	GS79 GSF79 GSA79 GSAF79	6P	20	212	67.20	7.2	1.20	4.3	999	214.00	12	1.15	4.8	891	189.09	13	1.30	5.6	774			161.60	14	1.45	GS79 GSF79 GSA79 GSAF79	4P	21	212	67.20	7.2	1.20	5.4	801	256.47	14	1.45	6.2	711	225.26	14	1.55	6.5	680	214.00	14	1.60	7.4	608	189.09	15	1.65	7.3	73			19.13	2.2			0.85	GS49 GSF49 GSA49 GSAF49	4P	22	234	62.35	10	1.60	102	52	13.63	1.9	0.85	115	47	12.08	1.8	0.95	135			40	10.27	1.8	1.00	148	39			19.13	2.0	1.10	208	28	13.63	1.7	1.25	234			24	12.08	1.7	1.30	276	21	10.27	1.7	1.35	29	175	47.32	4.3			0.80	31	164	44.23	4.3			0.85	36	143			38.23	4.2	1.00	43	122	32.48	4.1	1.10	48	110	29.00	4.0	1.15	56	95	24.77	3.9	1.20	60	89	23.20	3.9	1.25	71	84	19.54	3.4	1.30	78	73	17.80	3.4	1.40	92	68	15.12	3.3	1.50	103	59	13.50	3.2	1.55	121	50	11.53	3.1	1.65	129	45	10.80	3.1	1.70	153	39	9.10	3.0	1.80																																				
143	28	19.13	2.0	1.30			145	28	18.85	2.0	1.30			166	24	16.48	1.9	1.35	177	23	15.45	1.9	1.35			201	21	13.63			1.9	1.45			227					18	12.08	1.7			1.50	267					15		10.27	1.7		1.60			0.63	8406	2208	40	0.85	GS109R79 GSF109R79 GSA109R79 GSAF109R79	4P	13	329	71.75	6.1	0.80	GS59 GSF59 GSA59 GSAF59	6P			0.71	6628	1950	40	1.00	1.1	4419			1223			20	0.85	GS99R59 GSF99R59 GSA99R59 GSAF99R59	4P	14	311	67.20	6.3	0.85					1.3	3870	1070	29	1.00	1.5	3339	928	32	1.15	1.7	2943	824	33	1.30	1.9	2097	714	34	1.75	2.2	2232	626	34	1.70	2.6	1917	538	34	1.85	2.9	1737	484	34			1.95	1.3		2754	1032		18	0.90	GS89R59 GSF89R59 GSA89R59 GSAF89R59	4P	15	284	56.61	6.8	1.00	1.5	2538			930			25	1.00	1.7	2286	831	26	1.10	1.9	1998	719	27	1.25	2.2	1746	624	27	1.40	2.5	1575	558	27	1.45	3.2	1260	435	28	1.60	4.3	963	323	28	1.85	4.3	1125	327	11					1.05			GS79R39 GSF79R39 GSA79R39 GSAF79R39	4P	16	266	47.32	6.8	0.90	4.8	1008			289			12	1.15	5.6	873	250	13	1.30	6.3	774	219	14	1.40	2.4	1836	286.40	34	1.90	GS99 GSF99 GSA99 GSAF99	8P	17	248	44.23	6.9	1.00					2.6	1701	262.22	34	1.95	3.0	1521	231.67	35	2.05	3.2	1386	288.00	28	1.60	GS89 GSF89 GSA89 GSAF89	6P	18	248	44.23					6.9	1.00	3.5	1260	258.18	28	1.65	4.1	1098	222.40	28	1.80	4.5	1008	202.96	28	1.85	4.8	945	288.00	28	1.90	5.4	855	258.18	28	2.00	GS89 GSF89 GSA89 GSAF89	4P			19			225	71.75	7.1	1.15	6.3	747	222.40	28	2.10	6.8	689	202.96	28	2.20	7.4	608	189.09	15	1.65	4.0	1044	225.26	12	1.10	GS79 GSF79 GSA79 GSAF79	6P			20			212	67.20	7.2	1.20	4.3	999	214.00	12	1.15	4.8	891	189.09	13	1.30	5.6	774	161.60			14	1.45	GS79 GSF79 GSA79 GSAF79			4P	21	212	67.20	7.2	1.20	5.4	801	256.47	14	1.45	6.2	711	225.26	14	1.55	6.5	680	214.00	14	1.60	7.4	608	189.09	15	1.65	7.3			73	19.13	2.2	0.85	GS49 GSF49 GSA49 GSAF49			4P	22	234	62.35	10	1.60	102	52	13.63	1.9	0.85	115	47	12.08	1.8	0.95			135	40	10.27	1.8	1.00	148	39	19.13	2.0	1.10	208	28	13.63	1.7	1.25	234	24			12.08	1.7	1.30	276	21	10.27	1.7	1.35	29	175	47.32	4.3	0.80			31	164	44.23	4.3	0.85			36	143	38.23			4.2	1.00	43	122	32.48	4.1	1.10	48	110	29.00	4.0	1.15	56	95	24.77	3.9	1.20	60	89	23.20	3.9	1.25	71	84	19.54	3.4	1.30	78	73	17.80	3.4	1.40	92	68	15.12	3.3	1.50	103	59	13.50	3.2	1.55	121	50	11.53	3.1	1.65	129	45	10.80	3.1	1.70	153	39	9.10	3.0	1.80																																					
145	28	18.85	2.0	1.30			166	24	16.48	1.9	1.35			177	23	15.45	1.9	1.35	201	21	13.63	1.9	1.45			227	18	12.08			1.7	1.50			267					15	10.27	1.7			1.60	0.63		8406	2208		40		0.85	GS109R79 GSF109R79 GSA109R79 GSAF109R79		4P	13	329	71.75	6.1	0.80	GS59 GSF59 GSA59 GSAF59	6P			0.71	6628	1950	40	1.00			1.1	4419	1223	20	0.85	GS99R59 GSF99R59 GSA99R59 GSAF99R59	4P	14	311			67.20			6.3	0.85			1.3	3870	1070	29	1.00					1.5	3339	928	32	1.15	1.7	2943	824	33	1.30	1.9	2097	714	34	1.75	2.2	2232	626	34	1.70	2.6	1917	538	34	1.85	2.9	1737	484	34	1.95	1.3	2754	1032	18		0.90	GS89R59 GSF89R59 GSA89R59 GSAF89R59	4P	15	284	56.61		6.8	1.00			1.5	2538	930	25	1.00	1.7	2286			831			26	1.10	1.9	1998	719	27	1.25	2.2	1746	624	27	1.40	2.5	1575	558	27	1.45	3.2	1260	435	28	1.60	4.3	963	323	28	1.85	4.3	1125	327	11	1.05	GS79R39 GSF79R39 GSA79R39 GSAF79R39	4P	16	266		47.32	6.8		0.90					4.8	1008	289	12	1.15	5.6	873			250			13	1.30	6.3	774	219	14	1.40	2.4	1836	286.40	34	1.90	GS99 GSF99 GSA99 GSAF99	8P	17	248	44.23			6.9	1.00	2.6	1701	262.22		34	1.95		3.0	1521	231.67	35	2.05	3.2	1386	288.00	28	1.60	GS89 GSF89 GSA89 GSAF89	6P	18	248	44.23			6.9	1.00	3.5					1260	258.18	28	1.65	4.1	1098	222.40	28	1.80	4.5	1008	202.96	28	1.85	4.8	945	288.00	28	1.90	5.4	855	258.18	28	2.00	GS89 GSF89 GSA89 GSAF89	4P	19					225			71.75	7.1	1.15	6.3	747	222.40	28	2.10	6.8	689	202.96	28	2.20	7.4	608	189.09	15	1.65	4.0	1044	225.26	12	1.10	GS79 GSF79 GSA79 GSAF79			6P	20	212			67.20	7.2	1.20	4.3	999	214.00	12	1.15	4.8	891	189.09	13	1.30	5.6	774	161.60	14			1.45	GS79 GSF79 GSA79 GSAF79					4P	21	212	67.20	7.2	1.20	5.4	801	256.47	14	1.45	6.2	711	225.26	14	1.55	6.5	680	214.00	14	1.60	7.4	608	189.09	15	1.65			7.3	73	19.13	2.2					0.85	GS49 GSF49 GSA49 GSAF49	4P	22	234	62.35	10	1.60	102	52	13.63	1.9	0.85	115	47	12.08	1.8	0.95	135	40	10.27	1.8	1.00	148	39	19.13	2.0	1.10	208	28	13.63	1.7	1.25	234			24	12.08	1.7	1.30	276	21	10.27	1.7	1.35	29	175	47.32	4.3			0.80	31	164	44.23	4.3			0.85	36	143			38.23	4.2	1.00	43	122	32.48	4.1	1.10	48	110	29.00	4.0	1.15	56	95	24.77	3.9	1.20	60	89	23.20	3.9	1.25	71	84	19.54	3.4	1.30	78	73	17.80	3.4	1.40	92	68	15.12	3.3	1.50	103	59	13.50	3.2	1.55	121	50	11.53	3.1	1.65	129	45	10.80	3.1	1.70	153	39	9.10	3.0	1.80																																				
166	24	16.48	1.9	1.35			177	23	15.45	1.9	1.35			201	21	13.63	1.9	1.45	227	18	12.08	1.7	1.50			267	15	10.27			1.7	1.60			0.63					8406	2208	40	0.85	GS109R79 GSF109R79 GSA109R79 GSAF109R79	4P	13		329	71.75		6.1	0.80	GS59 GSF59 GSA59 GSAF59		6P		0.71	6628	1950	40	1.00			1.1	4419	1223	20	0.85	GS99R59 GSF99R59 GSA99R59 GSAF99R59	4P			14	311	67.20	6.3	0.85			1.3	3870			1070			29	1.00			1.5	3339	928	32	1.15					1.7	2943	824	33	1.30	1.9	2097	714	34	1.75	2.2	2232	626	34	1.70	2.6	1917	538	34	1.85	2.9	1737	484	34	1.95	1.3	2754	1032	18	0.90	GS89R59 GSF89R59 GSA89R59 GSAF89R59	4P	15	284	56.61	6.8			1.00	1.5	2538	930	25	1.00			1.7	2286	831	26	1.10	1.9	1998			719			27	1.25	2.2	1746	624	27	1.40	2.5	1575	558	27	1.45	3.2	1260	435	28	1.60	4.3	963	323	28	1.85	4.3	1125	327	11	1.05	GS79R39 GSF79R39 GSA79R39 GSAF79R39	4P	16	266	47.32			6.8	0.90	4.8	1008	289	12	1.15					5.6	873	250	13	1.30	6.3	774			219	14	1.40	2.4	1836	286.40	34	1.90	GS99 GSF99 GSA99 GSAF99	8P	17	248	44.23	6.9	1.00			2.6	1701	262.22			34	1.95	3.0	1521	231.67	35	2.05	3.2	1386	288.00	28	1.60	GS89 GSF89 GSA89 GSAF89	6P	18	248	44.23	6.9	1.00			3.5	1260	258.18			28	1.65	4.1					1098	222.40	28	1.80	4.5	1008	202.96	28	1.85	4.8	945	288.00	28	1.90	5.4	855	258.18	28	2.00	GS89 GSF89 GSA89 GSAF89	4P	19	225	71.75			7.1			1.15	6.3	747			222.40	28	2.10	6.8	689	202.96	28	2.20	7.4	608	189.09	15	1.65	4.0	1044	225.26	12	1.10	GS79 GSF79 GSA79 GSAF79	6P	20	212	67.20					7.2	1.20	4.3	999	214.00	12	1.15	4.8	891	189.09	13	1.30	5.6	774	161.60	14	1.45	GS79 GSF79 GSA79 GSAF79	4P	21	212			67.20							7.2	1.20	5.4	801	256.47	14	1.45	6.2	711	225.26	14	1.55	6.5	680	214.00	14	1.60	7.4	608	189.09	15	1.65	7.3	73	19.13			2.2	0.85	GS49 GSF49 GSA49 GSAF49	4P					22			234	62.35	10	1.60	102	52	13.63	1.9	0.85	115	47	12.08	1.8	0.95	135	40	10.27	1.8	1.00	148	39	19.13	2.0	1.10	208	28	13.63	1.7	1.25	234	24	12.08	1.7	1.30	276	21	10.27	1.7	1.35	29	175	47.32	4.3	0.80	31	164			44.23	4.3	0.85	36	143			38.23	4.2	1.00			43	122	32.48	4.1	1.10	48	110	29.00	4.0	1.15	56	95	24.77	3.9	1.20	60	89	23.20	3.9	1.25	71	84	19.54	3.4	1.30	78	73	17.80	3.4	1.40	92	68	15.12	3.3	1.50	103	59	13.50	3.2	1.55	121	50	11.53	3.1	1.65	129	45	10.80	3.1	1.70	153	39	9.10	3.0	1.80																																							
177	23	15.45	1.9	1.35			201	21	13.63	1.9	1.45			227	18	12.08	1.7	1.50	267	15	10.27	1.7	1.60			0.63	8406	2208			40	0.85			GS109R79 GSF109R79 GSA109R79 GSAF109R79			4P	13	329	71.75	6.1	0.80			GS59 GSF59 GSA59 GSAF59	6P	0.71	6628	1950	40	1.00		1.1		4419	1223	20	0.85	GS99R59 GSF99R59 GSA99R59 GSAF99R59	4P			14	311	67.20	6.3	0.85					1.3	3870	1070	29	1.00			1.5	3339			928	32	1.15	1.7	2943			824	33	1.30	1.9	2097					714	34	1.75	2.2	2232	626	34	1.70	2.6	1917	538	34	1.85	2.9	1737	484	34	1.95	1.3	2754	1032	18	0.90	GS89R59 GSF89R59 GSA89R59 GSAF89R59	4P	15	284	56.61	6.8	1.00			1.5	2538	930	25			1.00	1.7	2286	831	26	1.10			1.9	1998	719	27	1.25	2.2	1746			624			27	1.40	2.5	1575	558	27	1.45	3.2	1260	435	28	1.60	4.3	963	323	28	1.85	4.3	1125	327	11	1.05	GS79R39 GSF79R39 GSA79R39 GSAF79R39	4P	16	266	47.32			6.8	0.90	4.8			1008	289	12	1.15	5.6	873	250	13	1.30			6.3	774	219	14	1.40	2.4	1836	286.40	34	1.90	GS99 GSF99 GSA99 GSAF99	8P	17	248	44.23	6.9	1.00			2.6	1701	262.22	34	1.95			3.0	1521	231.67	35	2.05	3.2	1386	288.00	28	1.60	GS89 GSF89 GSA89 GSAF89	6P	18	248	44.23	6.9	1.00			3.5	1260	258.18	28	1.65			4.1	1098	222.40			28	1.80	4.5		1008	202.96		28	1.85	4.8	945	288.00	28	1.90	5.4	855	258.18	28	2.00	GS89 GSF89 GSA89 GSAF89	4P	19	225	71.75	7.1	1.15			6.3	747	222.40			28			2.10	6.8	689	202.96	28	2.20	7.4	608	189.09	15	1.65	4.0	1044	225.26	12	1.10	GS79 GSF79 GSA79 GSAF79	6P	20	212	67.20	7.2	1.20			4.3	999	214.00		12	1.15		4.8	891	189.09	13	1.30	5.6	774	161.60	14	1.45	GS79 GSF79 GSA79 GSAF79	4P	21	212	67.20	7.2	1.20			5.4	801	256.47	14	1.45							6.2	711	225.26	14	1.55	6.5	680	214.00	14	1.60	7.4	608	189.09	15	1.65	7.3	73	19.13	2.2	0.85	GS49 GSF49 GSA49 GSAF49	4P	22	234	62.35			10	1.60							102			52	13.63	1.9	0.85	115	47	12.08	1.8	0.95	135	40	10.27	1.8	1.00	148	39	19.13	2.0	1.10	208	28	13.63	1.7	1.25	234	24	12.08	1.7	1.30	276	21	10.27	1.7	1.35	29	175	47.32	4.3	0.80	31	164	44.23	4.3	0.85	36	143	38.23	4.2	1.00	43	122	32.48	4.1			1.10	48	110			29.00	4.0	1.15	56	95	24.77	3.9	1.20	60	89	23.20	3.9	1.25	71	84	19.54	3.4	1.30	78	73	17.80	3.4	1.40	92	68	15.12	3.3	1.50	103	59	13.50	3.2	1.55	121	50	11.53	3.1	1.65	129	45	10.80	3.1	1.70	153	39	9.10	3.0	1.80																																														
201	21	13.63	1.9	1.45			227	18	12.08	1.7	1.50			267	15	10.27	1.7	1.60	0.63	8406	2208	40	0.85			GS109R79 GSF109R79 GSA109R79 GSAF109R79	4P	13	329	71.75	6.1	0.80				GS59 GSF59 GSA59 GSAF59	6P		0.71	6628	1950	40	1.00	1.1	4419			1223	20	0.85	GS99R59 GSF99R59 GSA99R59 GSAF99R59	4P		14		311	67.20	6.3	0.85					1.3	3870	1070	29	1.00					1.5	3339	928	32	1.15			1.7	2943	824	33	1.30	1.9	2097	714	34			1.75	2.2	2232	626	34					1.70	2.6	1917	538	34	1.85	2.9	1737	484	34	1.95	1.3	2754	1032	18	0.90	GS89R59 GSF89R59 GSA89R59 GSAF89R59	4P	15	284	56.61	6.8	1.00			1.5	2538	930	25	1.00			1.7	2286	831	26			1.10	1.9	1998	719	27	1.25			2.2	1746	624	27	1.40	2.5	1575			558			27	1.45	3.2	1260	435	28	1.60	4.3	963	323	28	1.85	4.3	1125	327	11	1.05	GS79R39 GSF79R39 GSA79R39 GSAF79R39	4P	16	266	47.32			6.8	0.90	4.8			1008	289	12			1.15	5.6	873	250	13	1.30	6.3	774	219	14	1.40	2.4	1836	286.40	34	1.90	GS99 GSF99 GSA99 GSAF99	8P	17	248	44.23			6.9	1.00	2.6	1701	262.22			34	1.95	3.0	1521	231.67	35	2.05	3.2	1386	288.00	28	1.60	GS89 GSF89 GSA89 GSAF89	6P	18	248	44.23			6.9	1.00	3.5	1260	258.18			28	1.65	4.1	1098	222.40			28	1.80	4.5			1008	202.96	28	1.85	4.8	945	288.00	28	1.90	5.4	855	258.18	28	2.00	GS89 GSF89 GSA89 GSAF89	4P	19	225	71.75			7.1	1.15	6.3	747	222.40			28	2.10	6.8			689	202.96	28	2.20	7.4	608	189.09	15	1.65	4.0	1044	225.26	12	1.10	GS79 GSF79 GSA79 GSAF79	6P	20	212	67.20			7.2	1.20	4.3	999	214.00			12	1.15	4.8	891	189.09	13	1.30	5.6	774	161.60	14	1.45	GS79 GSF79 GSA79 GSAF79	4P	21	212	67.20			7.2	1.20	5.4	801	256.47			14	1.45	6.2	711	225.26			14	1.55			6.5	680	214.00	14	1.60	7.4	608	189.09	15	1.65	7.3	73	19.13	2.2	0.85	GS49 GSF49 GSA49 GSAF49	4P	22	234	62.35			10	1.60	102			52	13.63							1.9			0.85	115	47	12.08	1.8	0.95	135	40	10.27	1.8	1.00	148	39	19.13	2.0	1.10	208	28	13.63	1.7	1.25	234	24	12.08	1.7	1.30	276	21	10.27	1.7	1.35	29	175	47.32	4.3	0.80	31	164	44.23	4.3	0.85	36	143	38.23	4.2	1.00	43	122	32.48	4.1	1.10	48	110	29.00	4.0	1.15	56	95			24.77	3.9	1.20	60	89	23.20	3.9	1.25	71	84	19.54	3.4	1.30	78	73	17.80	3.4	1.40	92	68	15.12	3.3	1.50	103	59	13.50	3.2	1.55	121	50	11.53	3.1	1.65	129	45	10.80	3.1	1.70	153	39	9.10	3.0	1.80																																																			
227	18	12.08	1.7	1.50			267	15	10.27	1.7	1.60			0.63	8406	2208	40	0.85	GS109R79 GSF109R79 GSA109R79 GSAF109R79	4P	13	329	71.75	6.1	0.80			GS59 GSF59 GSA59 GSAF59	6P	0.71	6628	1950	40	1.00	1.1			4419	1223	20	0.85	GS99R59 GSF99R59 GSA99R59 GSAF99R59	4P	14	311			67.20	6.3	0.85				1.3		3870	1070	29	1.00					1.5	3339	928	32	1.15			1.7	2943	824	33	1.30	1.9	2097			714	34	1.75	2.2	2232	626	34	1.70	2.6			1917	538	34	1.85	2.9		1737	484		34	1.95	1.3	2754	1032	18	0.90	GS89R59 GSF89R59 GSA89R59 GSAF89R59	4P	15	284	56.61	6.8	1.00	1.5	2538			930	25	1.00	1.7	2286			831	26	1.10	1.9	1998			719	27	1.25	2.2			1746	624	27	1.40	2.5	1575			558	27	1.45	3.2	1260	435	28			1.60			4.3	963	323	28	1.85	4.3	1125	327	11	1.05	GS79R39 GSF79R39 GSA79R39 GSAF79R39	4P	16	266	47.32	6.8	0.90			4.8	1008	289			12	1.15	5.6			873	250	13	1.30	6.3	774	219	14	1.40	2.4	1836	286.40	34	1.90	GS99 GSF99 GSA99 GSAF99	8P	17	248	44.23	6.9	1.00			2.6	1701	262.22			34	1.95	3.0	1521	231.67	35	2.05	3.2	1386	288.00	28	1.60	GS89 GSF89 GSA89 GSAF89	6P	18	248	44.23	6.9	1.00			3.5	1260	258.18			28	1.65	4.1	1098	222.40			28	1.80	4.5	1008	202.96			28	1.85	4.8	945	288.00	28	1.90	5.4	855	258.18	28	2.00	GS89 GSF89 GSA89 GSAF89	4P	19	225	71.75	7.1	1.15			6.3	747	222.40			28	2.10	6.8	689	202.96			28	2.20	7.4	608	189.09	15	1.65	4.0	1044	225.26	12	1.10	GS79 GSF79 GSA79 GSAF79	6P	20	212	67.20	7.2	1.20			4.3	999	214.00			12	1.15	4.8	891	189.09	13	1.30	5.6	774	161.60	14	1.45	GS79 GSF79 GSA79 GSAF79	4P	21	212	67.20	7.2	1.20			5.4	801	256.47			14	1.45	6.2	711	225.26			14	1.55	6.5	680	214.00		14	1.60	7.4	608		189.09	15	1.65	7.3	73	19.13	2.2	0.85	GS49 GSF49 GSA49 GSAF49	4P	22	234	62.35	10	1.60			102	52	13.63			1.9	0.85	115			47	12.08							1.8			0.95	135	40	10.27	1.8	1.00	148	39	19.13	2.0	1.10	208	28	13.63	1.7	1.25	234	24	12.08	1.7	1.30	276	21	10.27	1.7	1.35	29	175	47.32	4.3	0.80	31	164	44.23	4.3	0.85	36	143	38.23	4.2	1.00	43	122	32.48	4.1	1.10	48	110	29.00	4.0	1.15	56	95	24.77	3.9	1.20	60	89	23.20	3.9	1.25	71	84	19.54	3.4	1.30	78	73	17.80	3.4	1.40	92	68	15.12	3.3	1.50	103	59	13.50	3.2	1.55	121	50	11.53	3.1	1.65	129	45	10.80	3.1	1.70	153	39	9.10	3.0	1.80																																																										
267	15	10.27	1.7	1.60			0.63	8406	2208	40	0.85			GS109R79 GSF109R79 GSA109R79 GSAF109R79	4P	13	329	71.75			6.1	0.80	GS59 GSF59 GSA59 GSAF59	6P	0.71	6628	1950			40	1.00	1.1	4419	1223	20			0.85	GS99R59 GSF99R59 GSA99R59 GSAF99R59	4P	14			311	67.20			6.3	0.85	1.3				3870		1070	29	1.00	1.5			3339	928	32	1.15	1.7	2943	824			33	1.30	1.9	2097	714	34	1.75			2.2	2232	626	34	1.70	2.6	1917	538	34			1.85	2.9	1737	484	34	1.95	1.3	2754	1032	18	0.90	GS89R59 GSF89R59 GSA89R59 GSAF89R59	4P	15	284	56.61			6.8	1.00	1.5	2538	930	25	1.00			1.7	2286	831	26	1.10			1.9	1998	719	27	1.25			2.2	1746	624	27			1.40	2.5	1575	558	27	1.45			3.2	1260	435	28	1.60	4.3	963			323	28	1.85	4.3	1125	327	11	1.05	GS79R39 GSF79R39 GSA79R39 GSAF79R39	4P	16	266	47.32			6.8	0.90	4.8	1008	289			12	1.15	5.6			873	250	13	1.30	6.3	774	219	14	1.40	2.4	1836	286.40	34	1.90	GS99 GSF99 GSA99 GSAF99	8P	17	248	44.23			6.9	1.00	2.6	1701	262.22			34	1.95	3.0	1521	231.67	35	2.05	3.2	1386	288.00	28	1.60	GS89 GSF89 GSA89 GSAF89	6P	18	248	44.23			6.9	1.00	3.5	1260	258.18			28	1.65	4.1			1098	222.40	28	1.80	4.5			1008	202.96	28	1.85	4.8	945	288.00	28	1.90	5.4	855	258.18	28	2.00	GS89 GSF89 GSA89 GSAF89	4P	19	225	71.75			7.1	1.15	6.3	747	222.40			28	2.10	6.8			689	202.96	28	2.20	7.4	608	189.09	15	1.65	4.0	1044	225.26	12	1.10	GS79 GSF79 GSA79 GSAF79	6P	20	212	67.20			7.2	1.20	4.3	999	214.00			12	1.15	4.8	891	189.09	13	1.30	5.6	774	161.60	14	1.45	GS79 GSF79 GSA79 GSAF79	4P	21	212	67.20			7.2	1.20	5.4	801	256.47			14	1.45	6.2			711	225.26	14	1.55	6.5			680	214.00	14	1.60	7.4	608	189.09	15	1.65	7.3	73	19.13	2.2	0.85	GS49 GSF49 GSA49 GSAF49	4P	22	234	62.35			10	1.60	102	52	13.63			1.9	0.85	115			47	12.08	1.8			0.95	135							40			10.27	1.8	1.00	148	39	19.13	2.0	1.10	208	28	13.63	1.7	1.25	234	24	12.08	1.7	1.30	276	21	10.27	1.7	1.35	29	175	47.32	4.3	0.80	31	164	44.23	4.3	0.85	36	143	38.23	4.2	1.00	43	122	32.48	4.1	1.10	48	110	29.00	4.0	1.15	56	95	24.77	3.9	1.20	60	89	23.20	3.9	1.25	71	84	19.54	3.4	1.30	78	73	17.80	3.4	1.40	92	68	15.12	3.3	1.50	103	59	13.50	3.2	1.55	121	50	11.53	3.1	1.65	129	45	10.80	3.1	1.70	153	39	9.10	3.0	1.80																																																													
0.63	8406	2208	40	0.85	GS109R79 GSF109R79 GSA109R79 GSAF109R79	4P	13	329	71.75	6.1	0.80	GS59 GSF59 GSA59 GSAF59	6P																																																																																																																																																																																																																																																																																																																																																																																																																																																																																																																																																								
0.71	6628	1950	40	1.00			1.1	4419	1223	20	0.85			GS99R59 GSF99R59 GSA99R59 GSAF99R59	4P	14	311	67.20	6.3	0.85	1.3	3870			1070	29	1.00			1.5	3339	928	32	1.15	1.7			2943			824			33	1.30	1.9	2097	714	34	1.75			2.2	2232	626	34	1.70	2.6	1917			538	34	1.85	2.9	1737	484	34			1.95	1.3	2754	1032	18	0.90	GS89R59 GSF89R59 GSA89R59 GSAF89R59	4P	15	284	56.61	6.8	1.00	1.5	2538	930	25	1.00	1.7	2286	831	26	1.10	1.9	1998	719	27	1.25	2.2	1746	624			27	1.40	2.5			1575	558	27	1.45	3.2	1260	435			28	1.60	4.3	963	323			28	1.85	4.3	1125	327			11	1.05	GS79R39 GSF79R39 GSA79R39 GSAF79R39	4P			16	266	47.32	6.8	0.90	4.8	1008	289	12	1.15	5.6	873	250	13	1.30	6.3	774	219	14	1.40	2.4	1836	286.40	34	1.90			GS99 GSF99 GSA99 GSAF99	8P	17			248	44.23	6.9	1.00	2.6	1701	262.22	34	1.95	3.0	1521	231.67	35	2.05	3.2	1386	288.00	28	1.60	GS89 GSF89 GSA89 GSAF89	6P	18	248	44.23	6.9	1.00			3.5	1260	258.18	28	1.65	4.1	1098	222.40	28	1.80	4.5	1008	202.96	28	1.85	4.8	945	288.00	28	1.90	5.4	855	258.18	28			2.00	GS89 GSF89 GSA89 GSAF89	4P			19	225	71.75	7.1	1.15			6.3	747	222.40	28	2.10	6.8	689	202.96	28	2.20	7.4	608	189.09	15	1.65	4.0	1044	225.26	12	1.10	GS79 GSF79 GSA79 GSAF79	6P	20	212	67.20	7.2			1.20	4.3	999			214.00	12	1.15	4.8	891	189.09	13	1.30	5.6	774	161.60	14	1.45	GS79 GSF79 GSA79 GSAF79	4P	21	212	67.20	7.2	1.20	5.4	801	256.47	14	1.45	6.2			711	225.26	14	1.55	6.5	680	214.00	14	1.60	7.4	608	189.09	15	1.65	7.3	73	19.13	2.2	0.85	GS49 GSF49 GSA49 GSAF49	4P	22	234	62.35			10	1.60	102			52	13.63	1.9	0.85	115			47	12.08	1.8	0.95	135	40	10.27	1.8	1.00	148	39	19.13	2.0	1.10	208	28	13.63	1.7	1.25	234	24	12.08	1.7	1.30	276	21			10.27	1.7	1.35			29	175	47.32	4.3	0.80			31	164	44.23			4.3	0.85	36	143	38.23	4.2	1.00							43			122	32.48	4.1	1.10	48	110	29.00	4.0	1.15	56	95	24.77	3.9	1.20	60	89	23.20	3.9	1.25	71	84	19.54	3.4	1.30	78	73	17.80	3.4	1.40	92	68	15.12	3.3	1.50	103	59	13.50	3.2	1.55	121	50	11.53	3.1	1.65	129	45	10.80	3.1	1.70	153	39	9.10	3.0	1.80																																																																																																				
1.1	4419	1223	20	0.85	GS99R59 GSF99R59 GSA99R59 GSAF99R59	4P	14	311	67.20	6.3	0.85					1.3	3870	1070	29	1.00	1.5	3339			928	32	1.15			1.7	2943	824	33	1.30	1.9	2097	714	34			1.75			2.2	2232	626	34	1.70	2.6	1917			538	34	1.85	2.9	1737	484	34			1.95	1.3	2754	1032	18	0.90	GS89R59 GSF89R59 GSA89R59 GSAF89R59	4P	15	284	56.61	6.8	1.00	1.5	2538			930	25	1.00	1.7	2286	831	26	1.10	1.9	1998	719	27	1.25	2.2	1746	624	27	1.40	2.5	1575	558	27	1.45			3.2	1260	435			28	1.60	4.3	963	323	28	1.85			4.3	1125	327	11	1.05			GS79R39 GSF79R39 GSA79R39 GSAF79R39	4P	16	266	47.32			6.8	0.90			4.8	1008	289	12	1.15	5.6	873	250	13	1.30	6.3	774	219	14	1.40	2.4	1836	286.40	34	1.90	GS99 GSF99 GSA99 GSAF99	8P	17	248	44.23	6.9	1.00					2.6	1701	262.22	34	1.95	3.0	1521	231.67	35	2.05	3.2	1386	288.00	28	1.60	GS89 GSF89 GSA89 GSAF89	6P	18	248	44.23	6.9	1.00			3.5	1260	258.18	28	1.65	4.1	1098	222.40	28	1.80	4.5	1008	202.96	28	1.85	4.8	945	288.00	28	1.90	5.4	855	258.18	28	2.00	GS89 GSF89 GSA89 GSAF89	4P	19	225	71.75	7.1			1.15					6.3	747	222.40	28	2.10	6.8	689	202.96	28	2.20	7.4	608	189.09	15	1.65	4.0	1044	225.26	12	1.10	GS79 GSF79 GSA79 GSAF79	6P	20	212	67.20	7.2	1.20			4.3	999	214.00	12			1.15	4.8	891	189.09	13	1.30	5.6	774	161.60	14	1.45	GS79 GSF79 GSA79 GSAF79	4P	21	212	67.20	7.2	1.20			5.4	801	256.47	14	1.45	6.2	711	225.26	14	1.55	6.5	680	214.00	14	1.60	7.4	608	189.09	15	1.65	7.3	73	19.13	2.2	0.85	GS49 GSF49 GSA49 GSAF49	4P	22	234	62.35	10	1.60			102	52	13.63			1.9	0.85	115			47	12.08	1.8	0.95	135	40	10.27	1.8	1.00	148	39	19.13	2.0	1.10	208	28	13.63	1.7	1.25	234	24	12.08	1.7	1.30	276	21	10.27	1.7	1.35	29	175	47.32	4.3			0.80	31	164			44.23	4.3	0.85	36	143			38.23	4.2	1.00			43	122	32.48	4.1	1.10	48	110				29.00	4.0		1.15			56	95	24.77	3.9	1.20	60	89	23.20	3.9	1.25	71	84	19.54	3.4	1.30	78	73	17.80	3.4	1.40	92	68	15.12	3.3	1.50	103	59	13.50	3.2	1.55	121	50	11.53	3.1	1.65	129	45	10.80	3.1	1.70	153	39	9.10	3.0	1.80																																																																																																													
1.3	3870	1070	29	1.00			1.5	3339	928	32	1.15					1.7	2943	824	33	1.30	1.9	2097			714	34	1.75	2.2	2232	626	34	1.70	2.6	1917	538	34	1.85	2.9			1737			484	34	1.95	1.3	2754	1032	18			0.90	GS89R59 GSF89R59 GSA89R59 GSAF89R59	4P	15	284	56.61	6.8	1.00	1.5	2538	930	25	1.00	1.7	2286			831	26	1.10	1.9	1998	719	27			1.25	2.2	1746	624	27	1.40	2.5	1575	558	27	1.45	3.2	1260	435	28	1.60	4.3	963	323	28	1.85	4.3	1125			327	11	1.05			GS79R39 GSF79R39 GSA79R39 GSAF79R39	4P	16	266	47.32	6.8	0.90			4.8	1008	289	12	1.15					5.6	873	250	13	1.30	6.3	774			219	14	1.40	2.4	1836	286.40	34	1.90	GS99 GSF99 GSA99 GSAF99	8P	17	248	44.23	6.9	1.00	2.6	1701	262.22	34	1.95			3.0	1521	231.67	35	2.05	3.2	1386			288.00	28	1.60	GS89 GSF89 GSA89 GSAF89	6P	18	248	44.23	6.9	1.00	3.5	1260	258.18	28	1.65			4.1	1098	222.40	28	1.80			4.5	1008	202.96	28	1.85	4.8	945	288.00	28	1.90	5.4	855	258.18	28	2.00	GS89 GSF89 GSA89 GSAF89	4P	19	225	71.75	7.1	1.15	6.3	747	222.40			28	2.10	6.8	689			202.96			28	2.20	7.4	608	189.09	15	1.65	4.0	1044	225.26	12	1.10	GS79 GSF79 GSA79 GSAF79	6P	20	212	67.20	7.2	1.20	4.3	999	214.00			12	1.15	4.8	891	189.09			13	1.30	5.6	774	161.60	14	1.45	GS79 GSF79 GSA79 GSAF79	4P	21	212	67.20	7.2	1.20	5.4	801	256.47			14	1.45	6.2	711	225.26			14	1.55	6.5	680	214.00	14	1.60	7.4	608	189.09	15	1.65	7.3	73	19.13	2.2	0.85	GS49 GSF49 GSA49 GSAF49	4P	22	234	62.35	10	1.60	102			52	13.63	1.9	0.85	115			47	12.08	1.8			0.95	135	40	10.27	1.8	1.00	148	39	19.13	2.0	1.10	208	28	13.63	1.7	1.25	234	24	12.08	1.7	1.30	276	21	10.27	1.7	1.35	29	175	47.32	4.3	0.80	31	164	44.23	4.3	0.85	36	143			38.23	4.2	1.00			43	122	32.48	4.1	1.10			48	110	29.00			4.0	1.15	56	95	24.77	3.9	1.20			60	89	23.20	3.9	1.25			71	84	19.54	3.4	1.30	78	73	17.80	3.4	1.40	92	68	15.12	3.3	1.50	103	59	13.50	3.2	1.55	121	50	11.53	3.1	1.65	129	45	10.80	3.1	1.70	153	39	9.10	3.0	1.80																																																																																																																							
1.5	3339	928	32	1.15			1.7	2943	824	33	1.30					1.9	2097	714	34	1.75	2.2	2232	626	34	1.70	2.6	1917	538	34	1.85	2.9	1737	484	34	1.95	1.3	2754	1032			18			0.90	GS89R59 GSF89R59 GSA89R59 GSAF89R59	4P	15	284	56.61	6.8	1.00	1.5	2538			930	25	1.00	1.7	2286	831	26	1.10	1.9	1998	719	27			1.25	2.2	1746	624	27	1.40	2.5			1575	558	27	1.45	3.2	1260	435	28	1.60	4.3	963	323	28	1.85	4.3	1125	327	11	1.05	GS79R39 GSF79R39 GSA79R39 GSAF79R39	4P	16	266			47.32	6.8	0.90					4.8	1008	289	12	1.15			5.6	873	250	13	1.30	6.3	774			219	14	1.40	2.4	1836	286.40	34			1.90	GS99 GSF99 GSA99 GSAF99	8P	17	248	44.23	6.9	1.00			2.6	1701	262.22	34	1.95	3.0	1521	231.67	35	2.05			3.2	1386	288.00	28	1.60	GS89 GSF89 GSA89 GSAF89	6P	18	248	44.23	6.9	1.00			3.5	1260	258.18	28	1.65	4.1	1098	222.40	28	1.80			4.5	1008	202.96	28	1.85			4.8	945	288.00	28	1.90	5.4	855	258.18	28	2.00	GS89 GSF89 GSA89 GSAF89	4P	19	225	71.75			7.1	1.15	6.3	747	222.40	28	2.10	6.8			689	202.96	28	2.20	7.4	608	189.09			15	1.65	4.0	1044	225.26	12	1.10	GS79 GSF79 GSA79 GSAF79	6P	20	212	67.20			7.2	1.20	4.3	999	214.00	12	1.15	4.8			891	189.09	13	1.30	5.6	774	161.60	14	1.45	GS79 GSF79 GSA79 GSAF79	4P	21	212	67.20			7.2	1.20	5.4	801	256.47	14	1.45	6.2			711	225.26	14	1.55	6.5			680	214.00	14	1.60	7.4	608	189.09	15	1.65	7.3	73	19.13	2.2	0.85	GS49 GSF49 GSA49 GSAF49	4P	22			234	62.35	10	1.60	102	52			13.63	1.9	0.85	115	47			12.08	1.8	0.95	135	40	10.27	1.8	1.00	148	39	19.13	2.0	1.10	208	28	13.63	1.7	1.25	234	24	12.08	1.7	1.30	276	21	10.27	1.7	1.35	29	175	47.32	4.3	0.80	31	164	44.23	4.3	0.85	36	143	38.23	4.2	1.00			43	122	32.48			4.1	1.10	48	110	29.00			4.0	1.15	56			95	24.77	3.9	1.20	60	89	23.20			3.9	1.25	71	84	19.54	3.4	1.30	78	73	17.80	3.4	1.40	92	68	15.12	3.3	1.50	103	59	13.50	3.2	1.55	121	50	11.53	3.1	1.65	129	45	10.80	3.1	1.70	153	39	9.10	3.0	1.80																																																																																																																												
1.7	2943	824	33	1.30			1.9	2097	714	34	1.75	2.2	2232			626	34	1.70	2.6	1917	538	34	1.85	2.9	1737	484	34	1.95	1.3	2754	1032	18	0.90	GS89R59 GSF89R59 GSA89R59 GSAF89R59	4P	15	284	56.61			6.8	1.00	1.5	2538			930	25	1.00	1.7	2286	831	26			1.10	1.9	1998	719	27	1.25	2.2	1746	624	27	1.40	2.5			1575	558	27	1.45	3.2	1260	435			28	1.60	4.3	963	323	28	1.85	4.3	1125	327	11	1.05	GS79R39 GSF79R39 GSA79R39 GSAF79R39	4P	16	266	47.32	6.8	0.90			4.8	1008			289	12	1.15					5.6	873	250	13	1.30	6.3	774	219	14	1.40	2.4	1836	286.40	34			1.90	GS99 GSF99 GSA99 GSAF99	8P	17	248	44.23	6.9	1.00	2.6	1701			262.22	34	1.95	3.0	1521			231.67	35	2.05	3.2	1386	288.00	28	1.60	GS89 GSF89 GSA89 GSAF89	6P	18	248	44.23	6.9	1.00	3.5	1260			258.18	28	1.65	4.1	1098			222.40	28	1.80	4.5	1008	202.96	28	1.85	4.8	945			288.00	28	1.90	5.4	855			258.18	28	2.00	GS89 GSF89 GSA89 GSAF89	4P	19	225	71.75	7.1	1.15			6.3	747	222.40			28	2.10	6.8	689	202.96	28	2.20	7.4			608	189.09	15	1.65	4.0	1044	225.26	12	1.10	GS79 GSF79 GSA79 GSAF79	6P	20	212	67.20	7.2	1.20			4.3	999	214.00			12	1.15	4.8	891	189.09	13	1.30	5.6	774	161.60	14	1.45	GS79 GSF79 GSA79 GSAF79	4P	21	212	67.20	7.2	1.20			5.4	801	256.47			14	1.45	6.2	711	225.26	14	1.55	6.5			680	214.00	14	1.60	7.4			608	189.09	15	1.65	7.3	73	19.13	2.2	0.85	GS49 GSF49 GSA49 GSAF49	4P	22	234	62.35			10			1.60	102	52	13.63	1.9	0.85			115	47	12.08	1.8	0.95			135	40	10.27	1.8	1.00	148	39	19.13	2.0	1.10	208	28	13.63	1.7	1.25	234	24	12.08	1.7	1.30	276	21	10.27	1.7	1.35	29	175	47.32	4.3	0.80	31	164	44.23	4.3	0.85	36	143	38.23	4.2	1.00	43	122	32.48			4.1	1.10	48			110	29.00	4.0	1.15	56			95	24.77	3.9			1.20	60	89	23.20	3.9	1.25	71	84	19.54	3.4	1.30	78	73	17.80	3.4	1.40	92	68	15.12	3.3	1.50	103	59	13.50	3.2	1.55	121	50	11.53	3.1	1.65	129	45	10.80	3.1	1.70	153	39	9.10	3.0	1.80																																																																																																																																	
1.9	2097	714	34	1.75			2.2	2232	626	34	1.70	2.6	1917			538	34	1.85	2.9	1737	484	34	1.95	1.3	2754	1032	18	0.90	GS89R59 GSF89R59 GSA89R59 GSAF89R59	4P	15	284	56.61			6.8	1.00	1.5	2538	930	25	1.00	1.7	2286			831	26	1.10	1.9	1998	719	27			1.25	2.2	1746	624	27	1.40	2.5	1575	558	27	1.45	3.2			1260	435	28	1.60	4.3	963	323			28	1.85	4.3	1125	327	11	1.05	GS79R39 GSF79R39 GSA79R39 GSAF79R39	4P	16	266	47.32			6.8	0.90	4.8	1008	289			12	1.15			5.6	873	250	13	1.30			6.3	774	219	14	1.40	2.4	1836	286.40	34	1.90	GS99 GSF99 GSA99 GSAF99	8P	17	248	44.23	6.9	1.00			2.6	1701	262.22	34	1.95	3.0	1521			231.67	35	2.05	3.2	1386	288.00	28	1.60	GS89 GSF89 GSA89 GSAF89	6P	18	248	44.23	6.9	1.00			3.5	1260	258.18	28	1.65	4.1	1098			222.40	28	1.80	4.5	1008			202.96	28	1.85	4.8	945	288.00	28	1.90	5.4	855			258.18	28	2.00	GS89 GSF89 GSA89 GSAF89	4P	19	225	71.75	7.1	1.15			6.3	747	222.40	28	2.10			6.8	689	202.96			28	2.20	7.4	608	189.09	15	1.65	4.0	1044	225.26	12	1.10	GS79 GSF79 GSA79 GSAF79	6P	20	212	67.20	7.2	1.20			4.3	999	214.00	12	1.15			4.8	891	189.09	13	1.30	5.6	774	161.60	14	1.45	GS79 GSF79 GSA79 GSAF79	4P	21	212	67.20	7.2	1.20			5.4	801	256.47	14	1.45			6.2	711	225.26			14	1.55	6.5	680	214.00	14	1.60	7.4			608	189.09	15	1.65	7.3	73	19.13	2.2	0.85	GS49 GSF49 GSA49 GSAF49	4P	22	234	62.35	10	1.60			102	52	13.63			1.9			0.85	115	47	12.08	1.8	0.95			135	40	10.27	1.8	1.00			148	39	19.13	2.0	1.10	208	28	13.63	1.7	1.25	234	24	12.08	1.7	1.30	276	21	10.27	1.7	1.35	29	175	47.32	4.3	0.80	31	164	44.23	4.3	0.85	36	143	38.23	4.2	1.00	43	122	32.48	4.1	1.10	48	110	29.00			4.0	1.15	56			95	24.77	3.9	1.20	60			89	23.20	3.9	1.25	71	84	19.54	3.4	1.30	78	73	17.80	3.4	1.40	92	68	15.12	3.3	1.50	103	59	13.50	3.2	1.55	121	50	11.53	3.1	1.65	129	45	10.80	3.1	1.70	153	39	9.10	3.0	1.80																																																																																																																																								
2.2	2232	626	34	1.70			2.6	1917	538	34	1.85	2.9	1737			484	34	1.95	1.3	2754	1032	18	0.90	GS89R59 GSF89R59 GSA89R59 GSAF89R59	4P	15	284	56.61			6.8	1.00	1.5			2538	930	25	1.00	1.7	2286	831	26	1.10			1.9	1998	719	27	1.25	2.2	1746			624	27	1.40	2.5	1575	558	27	1.45	3.2	1260	435	28			1.60	4.3	963	323	28	1.85	4.3			1125	327	11	1.05	GS79R39 GSF79R39 GSA79R39 GSAF79R39	4P	16			266	47.32	6.8			0.90	4.8	1008	289	12			1.15	5.6	873	250	13	1.30	6.3	774	219	14	1.40	2.4	1836	286.40	34	1.90	GS99 GSF99 GSA99 GSAF99	8P	17	248	44.23			6.9	1.00	2.6	1701	262.22			34	1.95	3.0	1521	231.67	35	2.05	3.2	1386	288.00	28	1.60	GS89 GSF89 GSA89 GSAF89	6P	18	248	44.23			6.9	1.00	3.5	1260	258.18			28	1.65	4.1	1098	222.40	28	1.80			4.5	1008	202.96	28	1.85			4.8	945	288.00	28	1.90	5.4	855	258.18	28	2.00	GS89 GSF89 GSA89 GSAF89	4P	19	225	71.75			7.1	1.15	6.3	747	222.40			28	2.10	6.8	689	202.96			28	2.20	7.4	608	189.09	15	1.65	4.0	1044	225.26	12	1.10	GS79 GSF79 GSA79 GSAF79	6P	20	212	67.20			7.2	1.20	4.3	999	214.00			12	1.15	4.8	891	189.09	13	1.30	5.6	774	161.60	14	1.45	GS79 GSF79 GSA79 GSAF79	4P	21	212	67.20			7.2	1.20	5.4	801	256.47			14	1.45	6.2	711	225.26			14	1.55	6.5			680	214.00	14	1.60	7.4	608	189.09	15	1.65	7.3	73	19.13	2.2	0.85	GS49 GSF49 GSA49 GSAF49	4P	22	234	62.35			10	1.60	102	52	13.63			1.9	0.85	115			47			12.08	1.8	0.95	135	40	10.27			1.8	1.00	148	39	19.13			2.0	1.10	208	28	13.63	1.7	1.25	234	24	12.08	1.7	1.30	276	21	10.27	1.7	1.35	29	175	47.32	4.3	0.80	31	164	44.23	4.3	0.85	36	143	38.23	4.2	1.00	43	122	32.48	4.1	1.10	48	110	29.00	4.0	1.15	56			95	24.77	3.9			1.20	60	89	23.20	3.9	1.25	71	84	19.54	3.4	1.30	78	73	17.80	3.4	1.40	92	68	15.12	3.3	1.50	103	59	13.50	3.2	1.55	121	50	11.53	3.1	1.65	129	45	10.80	3.1	1.70	153	39	9.10	3.0	1.80																																																																																																																																													
2.6	1917	538	34	1.85			2.9	1737	484	34	1.95	1.3	2754	1032	18	0.90	GS89R59 GSF89R59 GSA89R59 GSAF89R59	4P	15	284	56.61	6.8	1.00			1.5	2538	930			25	1.00	1.7			2286	831	26	1.10	1.9	1998	719	27	1.25			2.2	1746	624	27	1.40	2.5	1575			558	27	1.45	3.2	1260	435	28	1.60	4.3	963	323	28			1.85	4.3	1125	327	11	1.05	GS79R39 GSF79R39 GSA79R39 GSAF79R39			4P	16	266	47.32			6.8			0.90	4.8	1008			289	12	1.15	5.6	873	250	13	1.30	6.3	774	219	14	1.40	2.4	1836	286.40	34	1.90	GS99 GSF99 GSA99 GSAF99	8P	17	248	44.23			6.9	1.00	2.6			1701	262.22	34	1.95	3.0	1521	231.67	35	2.05	3.2	1386	288.00	28	1.60	GS89 GSF89 GSA89 GSAF89	6P	18	248	44.23			6.9	1.00	3.5			1260	258.18	28	1.65	4.1			1098	222.40	28	1.80	4.5	1008	202.96			28	1.85	4.8	945	288.00	28	1.90	5.4	855	258.18	28	2.00	GS89 GSF89 GSA89 GSAF89	4P	19	225	71.75			7.1	1.15	6.3			747	222.40	28	2.10	6.8			689	202.96	28	2.20	7.4	608	189.09	15	1.65	4.0	1044	225.26	12	1.10	GS79 GSF79 GSA79 GSAF79	6P	20	212	67.20			7.2	1.20	4.3			999	214.00	12	1.15	4.8	891	189.09	13	1.30	5.6	774	161.60	14	1.45	GS79 GSF79 GSA79 GSAF79	4P	21	212	67.20			7.2	1.20	5.4			801	256.47	14	1.45	6.2			711	225.26	14	1.55	6.5			680	214.00	14	1.60	7.4	608	189.09	15	1.65	7.3	73	19.13	2.2	0.85	GS49 GSF49 GSA49 GSAF49	4P	22	234	62.35			10	1.60	102			52	13.63	1.9	0.85	115			47	12.08	1.8			0.95			135	40	10.27	1.8	1.00	148			39	19.13	2.0	1.10	208			28	13.63	1.7	1.25	234	24	12.08	1.7	1.30	276	21	10.27	1.7	1.35	29	175	47.32	4.3	0.80	31	164	44.23	4.3	0.85	36	143	38.23	4.2	1.00	43	122	32.48	4.1	1.10	48	110	29.00	4.0	1.15	56	95	24.77	3.9			1.20	60	89	23.20	3.9	1.25	71	84	19.54	3.4	1.30	78	73	17.80	3.4	1.40	92	68	15.12	3.3	1.50	103	59	13.50	3.2	1.55	121	50	11.53	3.1	1.65	129	45	10.80	3.1	1.70	153	39	9.10	3.0	1.80																																																																																																																																																		
2.9	1737	484	34	1.95	1.3	2754	1032	18	0.90	GS89R59 GSF89R59 GSA89R59 GSAF89R59	4P	15	284	56.61	6.8	1.00			1.5	2538	930	25	1.00			1.7	2286	831			26	1.10	1.9			1998	719	27	1.25	2.2	1746	624	27	1.40			2.5	1575	558	27	1.45	3.2	1260			435	28	1.60	4.3	963	323	28	1.85	4.3	1125	327	11			1.05	GS79R39 GSF79R39 GSA79R39 GSAF79R39	4P	16	266	47.32		6.8	0.90		4.8	1008	289			12			1.15	5.6	873	250	13	1.30	6.3	774	219	14	1.40	2.4	1836	286.40	34	1.90	GS99 GSF99 GSA99 GSAF99	8P	17	248	44.23	6.9	1.00			2.6	1701	262.22			34	1.95	3.0	1521	231.67	35	2.05	3.2	1386	288.00	28	1.60	GS89 GSF89 GSA89 GSAF89	6P	18	248	44.23	6.9	1.00			3.5	1260	258.18			28	1.65	4.1			1098	222.40	28	1.80	4.5			1008	202.96	28	1.85	4.8	945	288.00	28	1.90	5.4	855	258.18	28	2.00	GS89 GSF89 GSA89 GSAF89	4P	19	225	71.75	7.1	1.15			6.3	747	222.40			28	2.10	6.8			689	202.96	28	2.20	7.4	608	189.09	15	1.65	4.0	1044	225.26	12	1.10	GS79 GSF79 GSA79 GSAF79	6P	20	212	67.20	7.2	1.20			4.3	999	214.00			12	1.15	4.8	891	189.09	13	1.30	5.6	774	161.60	14	1.45	GS79 GSF79 GSA79 GSAF79	4P	21	212	67.20	7.2	1.20			5.4	801	256.47			14	1.45	6.2			711	225.26	14	1.55	6.5			680	214.00	14	1.60	7.4	608	189.09	15	1.65	7.3	73	19.13	2.2	0.85	GS49 GSF49 GSA49 GSAF49	4P	22	234	62.35	10	1.60			102	52	13.63			1.9	0.85	115			47	12.08	1.8	0.95	135			40	10.27	1.8			1.00			148	39	19.13	2.0	1.10	208			28	13.63	1.7	1.25	234			24	12.08	1.7	1.30	276	21	10.27	1.7	1.35	29	175	47.32	4.3	0.80	31	164	44.23	4.3	0.85	36	143	38.23	4.2	1.00	43	122	32.48	4.1	1.10	48	110	29.00	4.0	1.15	56	95	24.77	3.9	1.20	60	89	23.20	3.9	1.25	71	84	19.54	3.4	1.30	78	73	17.80	3.4	1.40	92	68	15.12	3.3	1.50	103	59	13.50	3.2	1.55	121	50	11.53	3.1	1.65	129	45	10.80	3.1	1.70	153	39	9.10	3.0	1.80																																																																																																																																																									
1.3	2754	1032	18	0.90	GS89R59 GSF89R59 GSA89R59 GSAF89R59	4P	15	284	56.61			6.8	1.00	1.5	2538	930			25	1.00	1.7	2286	831			26	1.10	1.9			1998	719	27			1.25	2.2	1746	624	27	1.40	2.5	1575	558			27	1.45	3.2	1260	435	28	1.60			4.3	963	323	28	1.85	4.3	1125	327	11	1.05	GS79R39 GSF79R39 GSA79R39 GSAF79R39	4P	16	266	47.32			6.8	0.90	4.8		1008	289		12	1.15	5.6			873	250	13	1.30	6.3	774	219	14	1.40	2.4	1836	286.40	34	1.90	GS99 GSF99 GSA99 GSAF99	8P	17	248	44.23			6.9	1.00	2.6	1701	262.22			34	1.95	3.0	1521	231.67	35	2.05	3.2	1386	288.00	28	1.60	GS89 GSF89 GSA89 GSAF89	6P	18	248	44.23			6.9	1.00	3.5	1260	258.18			28	1.65	4.1			1098	222.40	28			1.80	4.5	1008	202.96	28	1.85	4.8	945	288.00	28	1.90	5.4	855	258.18	28	2.00	GS89 GSF89 GSA89 GSAF89	4P	19	225	71.75			7.1	1.15	6.3	747	222.40			28	2.10	6.8			689	202.96	28	2.20	7.4	608	189.09	15	1.65	4.0	1044	225.26	12	1.10	GS79 GSF79 GSA79 GSAF79	6P	20	212	67.20			7.2	1.20	4.3	999	214.00			12	1.15	4.8	891	189.09	13	1.30	5.6	774	161.60	14	1.45	GS79 GSF79 GSA79 GSAF79	4P	21	212	67.20			7.2	1.20	5.4	801	256.47			14	1.45	6.2			711	225.26	14			1.55	6.5	680	214.00	14	1.60	7.4	608	189.09	15	1.65	7.3	73	19.13	2.2	0.85	GS49 GSF49 GSA49 GSAF49	4P	22	234	62.35			10	1.60	102	52	13.63			1.9	0.85	115			47	12.08	1.8			0.95	135	40	10.27	1.8			1.00	148	39			19.13			2.0	1.10	208	28	13.63	1.7			1.25	234	24	12.08	1.7			1.30	276	21	10.27	1.7	1.35	29	175	47.32	4.3	0.80	31	164	44.23	4.3	0.85	36	143	38.23	4.2	1.00	43	122	32.48	4.1	1.10	48	110	29.00	4.0	1.15	56	95	24.77	3.9	1.20	60	89	23.20	3.9	1.25	71	84	19.54	3.4	1.30	78	73	17.80	3.4	1.40	92	68	15.12	3.3	1.50	103	59	13.50	3.2	1.55	121	50	11.53	3.1	1.65	129	45	10.80	3.1	1.70	153	39	9.10	3.0	1.80																																																																																																																																																												
1.5	2538	930	25	1.00			1.7	2286	831			26	1.10	1.9	1998	719			27	1.25	2.2	1746	624			27	1.40	2.5			1575	558	27			1.45	3.2	1260	435	28	1.60	4.3	963	323			28	1.85	4.3	1125	327	11	1.05	GS79R39 GSF79R39 GSA79R39 GSAF79R39	4P	16	266	47.32	6.8	0.90	4.8	1008	289	12	1.15			5.6	873	250			13	1.30	6.3		774	219		14	1.40	2.4	1836	286.40	34	1.90	GS99 GSF99 GSA99 GSAF99	8P	17	248	44.23	6.9	1.00	2.6	1701	262.22	34	1.95			3.0	1521	231.67			35	2.05	3.2	1386	288.00	28	1.60	GS89 GSF89 GSA89 GSAF89	6P	18	248	44.23	6.9	1.00	3.5	1260	258.18	28	1.65			4.1	1098	222.40			28	1.80	4.5	1008	202.96			28	1.85	4.8			945	288.00	28	1.90	5.4	855	258.18	28	2.00	GS89 GSF89 GSA89 GSAF89	4P	19	225	71.75	7.1	1.15	6.3	747	222.40	28	2.10			6.8	689	202.96			28	2.20	7.4	608	189.09			15	1.65	4.0	1044	225.26	12	1.10	GS79 GSF79 GSA79 GSAF79	6P	20	212	67.20	7.2	1.20	4.3	999	214.00	12	1.15			4.8	891	189.09			13	1.30	5.6	774	161.60	14	1.45	GS79 GSF79 GSA79 GSAF79	4P	21	212	67.20	7.2	1.20	5.4	801	256.47	14	1.45			6.2	711	225.26			14	1.55	6.5	680	214.00			14	1.60	7.4			608	189.09	15	1.65	7.3	73	19.13	2.2	0.85	GS49 GSF49 GSA49 GSAF49	4P	22	234	62.35	10	1.60	102	52	13.63	1.9	0.85			115	47	12.08			1.8	0.95	135	40	10.27			1.8	1.00	148			39	19.13	2.0			1.10	208	28	13.63	1.7			1.25	234	24			12.08			1.7	1.30	276	21	10.27	1.7			1.35	29	175	47.32	4.3	0.80	31	164	44.23	4.3	0.85	36	143	38.23	4.2	1.00	43	122	32.48	4.1	1.10	48	110	29.00	4.0	1.15	56	95	24.77	3.9	1.20	60	89	23.20	3.9	1.25	71	84	19.54	3.4	1.30	78	73	17.80	3.4	1.40	92	68	15.12	3.3	1.50	103	59	13.50	3.2	1.55	121	50	11.53	3.1	1.65	129	45	10.80	3.1	1.70	153	39	9.10	3.0	1.80																																																																																																																																																																								
1.7	2286	831	26	1.10			1.9	1998	719			27	1.25	2.2	1746	624			27	1.40	2.5	1575	558			27	1.45	3.2			1260	435	28			1.60	4.3	963	323	28	1.85	4.3	1125	327	11	1.05	GS79R39 GSF79R39 GSA79R39 GSAF79R39	4P	16	266	47.32	6.8	0.90			4.8	1008	289	12	1.15	5.6	873	250	13	1.30			6.3	774	219			14	1.40	2.4	1836	286.40	34	1.90	GS99 GSF99 GSA99 GSAF99	8P	17	248	44.23	6.9	1.00			2.6	1701	262.22	34	1.95	3.0	1521	231.67	35	2.05			3.2	1386	288.00	28	1.60	GS89 GSF89 GSA89 GSAF89	6P	18	248	44.23	6.9	1.00			3.5	1260	258.18	28	1.65	4.1	1098	222.40	28	1.80			4.5	1008	202.96			28	1.85	4.8	945	288.00			28	1.90	5.4	855	258.18	28	2.00	GS89 GSF89 GSA89 GSAF89	4P	19	225	71.75	7.1	1.15			6.3	747	222.40	28	2.10	6.8	689	202.96	28	2.20			7.4	608	189.09			15	1.65	4.0	1044	225.26	12	1.10	GS79 GSF79 GSA79 GSAF79	6P	20	212	67.20	7.2	1.20			4.3	999	214.00	12	1.15	4.8	891	189.09	13	1.30			5.6	774	161.60	14	1.45	GS79 GSF79 GSA79 GSAF79	4P	21	212	67.20	7.2	1.20			5.4	801	256.47	14	1.45	6.2	711	225.26	14	1.55			6.5	680	214.00			14	1.60	7.4	608	189.09			15	1.65	7.3	73	19.13	2.2	0.85	GS49 GSF49 GSA49 GSAF49	4P	22	234	62.35	10	1.60			102	52	13.63	1.9	0.85	115	47	12.08	1.8	0.95			135	40	10.27			1.8	1.00	148	39	19.13			2.0	1.10	208			28	13.63	1.7			1.25	234	24	12.08	1.7			1.30	276	21			10.27			1.7	1.35	29	175	47.32	4.3	0.80	31	164	44.23	4.3	0.85	36	143	38.23	4.2	1.00	43	122	32.48	4.1	1.10	48	110	29.00	4.0	1.15	56	95	24.77	3.9	1.20	60	89	23.20	3.9	1.25	71	84	19.54	3.4	1.30	78	73	17.80	3.4	1.40	92	68	15.12	3.3	1.50	103	59	13.50	3.2	1.55	121	50	11.53	3.1	1.65	129	45	10.80	3.1	1.70	153	39	9.10	3.0	1.80																																																																																																																																																																															
1.9	1998	719	27	1.25			2.2	1746	624			27	1.40	2.5	1575	558			27	1.45	3.2	1260	435			28	1.60	4.3			963	323	28	1.85	4.3	1125	327	11	1.05	GS79R39 GSF79R39 GSA79R39 GSAF79R39	4P	16	266	47.32	6.8	0.90			4.8	1008	289	12	1.15			5.6	873	250	13	1.30	6.3	774	219	14	1.40			2.4	1836	286.40	34	1.90	GS99 GSF99 GSA99 GSAF99	8P	17	248	44.23	6.9	1.00			2.6	1701	262.22	34	1.95			3.0	1521	231.67	35	2.05	3.2	1386	288.00	28	1.60	GS89 GSF89 GSA89 GSAF89	6P	18	248	44.23	6.9	1.00			3.5	1260	258.18	28	1.65			4.1	1098	222.40	28	1.80	4.5	1008	202.96	28	1.85			4.8	945	288.00			28	1.90	5.4	855	258.18	28	2.00	GS89 GSF89 GSA89 GSAF89	4P	19	225	71.75	7.1	1.15			6.3	747	222.40	28	2.10			6.8	689	202.96	28	2.20	7.4	608	189.09	15	1.65			4.0	1044	225.26	12	1.10	GS79 GSF79 GSA79 GSAF79	6P	20	212	67.20	7.2	1.20			4.3	999	214.00	12	1.15			4.8	891	189.09	13	1.30	5.6	774	161.60	14	1.45	GS79 GSF79 GSA79 GSAF79	4P	21	212	67.20	7.2	1.20			5.4	801	256.47	14	1.45			6.2	711	225.26	14	1.55	6.5	680	214.00	14	1.60			7.4	608	189.09			15	1.65	7.3	73	19.13	2.2	0.85	GS49 GSF49 GSA49 GSAF49	4P	22	234	62.35	10	1.60			102	52	13.63	1.9	0.85			115	47	12.08	1.8	0.95	135	40	10.27	1.8	1.00			148	39	19.13			2.0	1.10	208	28	13.63			1.7	1.25	234			24	12.08	1.7			1.30	276	21	10.27	1.7			1.35	29	175			47.32	4.3	0.80	31	164	44.23	4.3	0.85	36	143	38.23	4.2	1.00	43	122	32.48	4.1	1.10	48	110	29.00	4.0	1.15	56	95	24.77	3.9	1.20	60	89	23.20	3.9	1.25	71	84	19.54	3.4	1.30	78	73	17.80	3.4	1.40	92	68	15.12	3.3	1.50	103	59	13.50	3.2	1.55	121	50	11.53	3.1	1.65	129	45	10.80	3.1	1.70	153	39	9.10	3.0	1.80																																																																																																																																																																																						
2.2	1746	624	27	1.40			2.5	1575	558			27	1.45	3.2	1260	435			28	1.60	4.3	963	323			28	1.85	4.3	1125	327	11	1.05	GS79R39 GSF79R39 GSA79R39 GSAF79R39	4P	16	266	47.32	6.8	0.90			4.8	1008	289	12	1.15			5.6	873	250	13	1.30			6.3	774	219	14	1.40	2.4	1836	286.40	34	1.90	GS99 GSF99 GSA99 GSAF99	8P	17	248	44.23	6.9	1.00			2.6	1701	262.22	34	1.95			3.0	1521	231.67	35	2.05	3.2	1386	288.00	28	1.60	GS89 GSF89 GSA89 GSAF89	6P	18	248	44.23	6.9	1.00			3.5	1260	258.18	28	1.65			4.1	1098	222.40	28	1.80			4.5	1008	202.96	28	1.85	4.8	945	288.00	28	1.90			5.4	855	258.18	28	2.00	GS89 GSF89 GSA89 GSAF89	4P	19	225	71.75	7.1	1.15			6.3	747	222.40	28	2.10			6.8	689	202.96	28	2.20			7.4	608	189.09	15	1.65	4.0	1044	225.26	12	1.10	GS79 GSF79 GSA79 GSAF79	6P	20	212	67.20	7.2	1.20			4.3	999	214.00	12	1.15			4.8	891	189.09	13	1.30	5.6	774	161.60	14	1.45	GS79 GSF79 GSA79 GSAF79	4P	21	212	67.20	7.2	1.20			5.4	801	256.47	14	1.45			6.2	711	225.26	14	1.55			6.5	680	214.00	14	1.60	7.4	608	189.09	15	1.65			7.3	73	19.13	2.2	0.85	GS49 GSF49 GSA49 GSAF49	4P	22	234	62.35	10	1.60			102	52	13.63	1.9	0.85			115	47	12.08	1.8	0.95			135	40	10.27	1.8	1.00	148	39	19.13	2.0	1.10			208	28	13.63			1.7	1.25	234	24	12.08			1.7	1.30	276			21	10.27	1.7			1.35	29	175	47.32	4.3			0.80	31	164	44.23	4.3	0.85	36	143	38.23	4.2	1.00	43	122	32.48	4.1	1.10	48	110	29.00	4.0	1.15	56	95	24.77	3.9	1.20	60	89	23.20	3.9	1.25	71	84	19.54	3.4	1.30	78	73	17.80	3.4	1.40	92	68	15.12	3.3	1.50	103	59	13.50	3.2	1.55	121	50	11.53	3.1	1.65	129	45	10.80	3.1	1.70	153	39	9.10	3.0	1.80																																																																																																																																																																																													
2.5	1575	558	27	1.45			3.2	1260	435			28	1.60	4.3	963	323			28	1.85	4.3	1125	327	11	1.05	GS79R39 GSF79R39 GSA79R39 GSAF79R39	4P	16	266	47.32	6.8	0.90			4.8	1008	289	12	1.15			5.6	873	250	13	1.30			6.3	774	219	14	1.40	2.4	1836	286.40	34	1.90	GS99 GSF99 GSA99 GSAF99	8P	17	248	44.23	6.9	1.00			2.6	1701	262.22	34	1.95			3.0	1521	231.67	35	2.05	3.2	1386	288.00	28	1.60	GS89 GSF89 GSA89 GSAF89	6P	18	248	44.23	6.9	1.00			3.5	1260	258.18	28	1.65			4.1	1098	222.40	28	1.80			4.5	1008	202.96	28	1.85			4.8	945	288.00	28	1.90	5.4	855	258.18	28	2.00	GS89 GSF89 GSA89 GSAF89	4P	19	225	71.75	7.1	1.15			6.3	747	222.40	28	2.10			6.8	689	202.96	28	2.20			7.4	608	189.09	15	1.65	4.0	1044	225.26	12	1.10	GS79 GSF79 GSA79 GSAF79	6P	20	212	67.20	7.2	1.20			4.3	999	214.00	12	1.15			4.8	891	189.09	13	1.30	5.6	774	161.60	14	1.45	GS79 GSF79 GSA79 GSAF79	4P	21	212	67.20	7.2	1.20			5.4	801	256.47	14	1.45			6.2	711	225.26	14	1.55			6.5	680	214.00	14	1.60			7.4	608	189.09	15	1.65	7.3	73	19.13	2.2	0.85	GS49 GSF49 GSA49 GSAF49	4P	22	234	62.35	10	1.60			102	52	13.63	1.9	0.85			115	47	12.08	1.8	0.95			135	40	10.27	1.8	1.00			148	39	19.13	2.0	1.10	208	28	13.63	1.7	1.25			234	24	12.08			1.7	1.30	276	21	10.27			1.7	1.35	29			175	47.32	4.3			0.80	31	164	44.23	4.3	0.85	36	143	38.23	4.2	1.00	43	122	32.48	4.1	1.10	48	110	29.00	4.0	1.15	56	95	24.77	3.9	1.20	60	89	23.20	3.9	1.25	71	84	19.54	3.4	1.30	78	73	17.80	3.4	1.40	92	68	15.12	3.3	1.50	103	59	13.50	3.2	1.55	121	50	11.53	3.1	1.65	129	45	10.80	3.1	1.70	153	39	9.10	3.0	1.80																																																																																																																																																																																																				
3.2	1260	435	28	1.60			4.3	963	323			28	1.85	4.3	1125	327	11	1.05	GS79R39 GSF79R39 GSA79R39 GSAF79R39	4P	16	266	47.32	6.8	0.90			4.8	1008	289	12	1.15			5.6	873	250	13	1.30			6.3	774	219	14	1.40	2.4	1836	286.40	34	1.90	GS99 GSF99 GSA99 GSAF99	8P	17	248	44.23	6.9	1.00			2.6	1701	262.22	34	1.95			3.0	1521	231.67	35	2.05	3.2	1386	288.00	28	1.60	GS89 GSF89 GSA89 GSAF89	6P	18	248	44.23	6.9	1.00			3.5	1260	258.18	28	1.65			4.1	1098	222.40	28	1.80			4.5	1008	202.96	28	1.85			4.8	945	288.00	28	1.90	5.4	855	258.18	28	2.00	GS89 GSF89 GSA89 GSAF89	4P	19	225	71.75	7.1	1.15			6.3	747	222.40	28	2.10			6.8	689	202.96	28	2.20			7.4	608	189.09	15	1.65	4.0	1044	225.26	12	1.10	GS79 GSF79 GSA79 GSAF79	6P	20	212	67.20	7.2	1.20			4.3	999	214.00	12	1.15			4.8	891	189.09	13	1.30	5.6	774	161.60	14	1.45	GS79 GSF79 GSA79 GSAF79	4P	21	212	67.20	7.2	1.20			5.4	801	256.47	14	1.45			6.2	711	225.26	14	1.55			6.5	680	214.00	14	1.60			7.4	608	189.09	15	1.65	7.3	73	19.13	2.2	0.85	GS49 GSF49 GSA49 GSAF49	4P	22	234	62.35	10	1.60			102	52	13.63	1.9	0.85			115	47	12.08	1.8	0.95			135	40	10.27	1.8	1.00			148	39	19.13	2.0	1.10			208	28	13.63	1.7	1.25	234	24	12.08	1.7	1.30			276	21	10.27			1.7	1.35	29	175	47.32			4.3	0.80	31			164	44.23	4.3	0.85	36	143	38.23	4.2	1.00	43	122	32.48	4.1	1.10	48	110	29.00	4.0	1.15	56	95	24.77	3.9	1.20	60	89	23.20	3.9	1.25	71	84	19.54	3.4	1.30	78	73	17.80	3.4	1.40	92	68	15.12	3.3	1.50	103	59	13.50	3.2	1.55	121	50	11.53	3.1	1.65	129	45	10.80	3.1	1.70	153	39	9.10	3.0	1.80																																																																																																																																																																																																											
4.3	963	323	28	1.85			4.3	1125	327	11	1.05	GS79R39 GSF79R39 GSA79R39 GSAF79R39	4P	16	266	47.32	6.8	0.90			4.8	1008	289	12	1.15			5.6	873	250	13	1.30			6.3	774	219	14	1.40	2.4	1836	286.40	34	1.90	GS99 GSF99 GSA99 GSAF99	8P	17	248	44.23	6.9	1.00			2.6	1701	262.22	34	1.95			3.0	1521	231.67	35	2.05	3.2	1386	288.00	28	1.60	GS89 GSF89 GSA89 GSAF89	6P	18	248	44.23	6.9	1.00			3.5	1260	258.18	28	1.65			4.1	1098	222.40	28	1.80			4.5	1008	202.96	28	1.85			4.8	945	288.00	28	1.90	5.4	855	258.18	28	2.00	GS89 GSF89 GSA89 GSAF89	4P	19	225	71.75	7.1	1.15			6.3	747	222.40	28	2.10			6.8	689	202.96	28	2.20			7.4	608	189.09	15	1.65	4.0	1044	225.26	12	1.10	GS79 GSF79 GSA79 GSAF79	6P	20	212	67.20	7.2	1.20			4.3	999	214.00	12	1.15			4.8	891	189.09	13	1.30	5.6	774	161.60	14	1.45	GS79 GSF79 GSA79 GSAF79	4P	21	212	67.20	7.2	1.20			5.4	801	256.47	14	1.45			6.2	711	225.26	14	1.55			6.5	680	214.00	14	1.60			7.4	608	189.09	15	1.65	7.3	73	19.13	2.2	0.85	GS49 GSF49 GSA49 GSAF49	4P	22	234	62.35	10	1.60			102	52	13.63	1.9	0.85			115	47	12.08	1.8	0.95			135	40	10.27	1.8	1.00			148	39	19.13	2.0	1.10			208	28	13.63	1.7	1.25			234	24	12.08	1.7	1.30	276	21	10.27	1.7	1.35			29	175	47.32			4.3	0.80	31	164	44.23			4.3	0.85	36	143	38.23	4.2	1.00	43	122	32.48	4.1	1.10	48	110	29.00	4.0	1.15	56	95	24.77	3.9	1.20	60	89	23.20	3.9	1.25	71	84	19.54	3.4	1.30	78	73	17.80	3.4	1.40	92	68	15.12	3.3	1.50	103	59	13.50	3.2	1.55	121	50	11.53	3.1	1.65	129	45	10.80	3.1	1.70	153	39	9.10	3.0	1.80																																																																																																																																																																																																																		
4.3	1125	327	11	1.05	GS79R39 GSF79R39 GSA79R39 GSAF79R39	4P	16	266	47.32	6.8	0.90			4.8	1008	289	12	1.15			5.6	873	250	13	1.30			6.3	774	219	14	1.40	2.4	1836	286.40	34	1.90	GS99 GSF99 GSA99 GSAF99	8P	17	248	44.23	6.9	1.00			2.6	1701	262.22	34	1.95			3.0	1521	231.67	35	2.05	3.2	1386	288.00	28	1.60	GS89 GSF89 GSA89 GSAF89	6P	18	248	44.23	6.9	1.00			3.5	1260	258.18	28	1.65			4.1	1098	222.40	28	1.80			4.5	1008	202.96	28	1.85			4.8	945	288.00	28	1.90	5.4	855	258.18	28	2.00	GS89 GSF89 GSA89 GSAF89	4P	19	225	71.75	7.1	1.15			6.3	747	222.40	28	2.10			6.8	689	202.96	28	2.20			7.4	608	189.09	15	1.65	4.0	1044	225.26	12	1.10	GS79 GSF79 GSA79 GSAF79	6P	20	212	67.20	7.2	1.20			4.3	999	214.00	12	1.15			4.8	891	189.09	13	1.30	5.6	774	161.60	14	1.45	GS79 GSF79 GSA79 GSAF79	4P	21	212	67.20	7.2	1.20			5.4	801	256.47	14	1.45			6.2	711	225.26	14	1.55			6.5	680	214.00	14	1.60			7.4	608	189.09	15	1.65	7.3	73	19.13	2.2	0.85	GS49 GSF49 GSA49 GSAF49	4P	22	234	62.35	10	1.60			102	52	13.63	1.9	0.85			115	47	12.08	1.8	0.95			135	40	10.27	1.8	1.00			148	39	19.13	2.0	1.10			208	28	13.63	1.7	1.25			234	24	12.08	1.7	1.30			276	21	10.27	1.7	1.35	29	175	47.32	4.3	0.80			31	164	44.23			4.3	0.85	36	143	38.23	4.2	1.00	43	122	32.48	4.1	1.10	48	110	29.00	4.0	1.15	56	95	24.77	3.9	1.20	60	89	23.20	3.9	1.25	71	84	19.54	3.4	1.30	78	73	17.80	3.4	1.40	92	68	15.12	3.3	1.50	103	59	13.50	3.2	1.55	121	50	11.53	3.1	1.65	129	45	10.80	3.1	1.70	153	39	9.10	3.0	1.80																																																																																																																																																																																																																									
4.8	1008	289	12	1.15			5.6	873	250	13	1.30			6.3	774	219	14	1.40			2.4	1836	286.40	34	1.90	GS99 GSF99 GSA99 GSAF99	8P	17	248	44.23	6.9	1.00	2.6	1701	262.22	34	1.95			3.0	1521	231.67	35	2.05			3.2	1386	288.00	28	1.60	GS89 GSF89 GSA89 GSAF89	6P	18	248	44.23	6.9	1.00	3.5	1260	258.18	28	1.65			4.1	1098	222.40	28	1.80			4.5	1008	202.96	28	1.85			4.8	945	288.00	28	1.90			5.4	855	258.18	28	2.00	GS89 GSF89 GSA89 GSAF89	4P	19	225	71.75	7.1	1.15	6.3	747	222.40	28	2.10			6.8	689	202.96	28	2.20			7.4	608	189.09	15	1.65			4.0	1044	225.26	12	1.10	GS79 GSF79 GSA79 GSAF79	6P	20	212	67.20	7.2	1.20	4.3	999	214.00	12	1.15			4.8	891	189.09	13	1.30			5.6	774	161.60	14	1.45	GS79 GSF79 GSA79 GSAF79	4P	21	212	67.20	7.2	1.20	5.4	801	256.47	14	1.45			6.2	711	225.26	14	1.55			6.5	680	214.00	14	1.60			7.4	608	189.09	15	1.65			7.3	73	19.13	2.2	0.85	GS49 GSF49 GSA49 GSAF49	4P	22	234	62.35	10	1.60	102	52	13.63	1.9	0.85			115	47	12.08	1.8	0.95			135	40	10.27	1.8	1.00			148	39	19.13	2.0	1.10			208	28	13.63	1.7	1.25			234	24	12.08	1.7	1.30			276	21	10.27	1.7	1.35			29	175	47.32	4.3	0.80			31	164	44.23	4.3	0.85	36	143	38.23	4.2	1.00			43	122	32.48	4.1	1.10	48	110	29.00	4.0	1.15	56	95	24.77	3.9	1.20	60	89	23.20	3.9	1.25	71	84	19.54	3.4	1.30	78	73	17.80	3.4	1.40	92	68	15.12	3.3	1.50	103	59	13.50	3.2	1.55	121	50	11.53	3.1	1.65	129	45	10.80	3.1	1.70	153	39	9.10	3.0	1.80																																																																																																																																																																																																																																					
5.6	873	250	13	1.30			6.3	774	219	14	1.40			2.4	1836	286.40	34	1.90	GS99 GSF99 GSA99 GSAF99	8P	17	248	44.23	6.9	1.00			2.6	1701	262.22	34	1.95	3.0	1521	231.67	35	2.05			3.2	1386	288.00	28	1.60	GS89 GSF89 GSA89 GSAF89	6P	18	248	44.23	6.9	1.00			3.5	1260	258.18	28	1.65	4.1	1098	222.40	28	1.80			4.5	1008	202.96	28	1.85			4.8	945	288.00	28	1.90			5.4	855	258.18	28	2.00	GS89 GSF89 GSA89 GSAF89	4P	19	225	71.75	7.1	1.15			6.3	747	222.40	28	2.10	6.8	689	202.96	28	2.20			7.4	608	189.09	15	1.65			4.0	1044	225.26	12	1.10	GS79 GSF79 GSA79 GSAF79	6P	20	212	67.20	7.2	1.20			4.3	999	214.00	12	1.15	4.8	891	189.09	13	1.30			5.6	774	161.60	14	1.45	GS79 GSF79 GSA79 GSAF79	4P	21	212	67.20	7.2	1.20			5.4	801	256.47	14	1.45	6.2	711	225.26	14	1.55			6.5	680	214.00	14	1.60			7.4	608	189.09	15	1.65			7.3	73	19.13	2.2	0.85	GS49 GSF49 GSA49 GSAF49	4P	22	234	62.35	10	1.60			102	52	13.63	1.9	0.85	115	47	12.08	1.8	0.95			135	40	10.27	1.8	1.00			148	39	19.13	2.0	1.10			208	28	13.63	1.7	1.25			234	24	12.08	1.7	1.30			276	21	10.27	1.7	1.35			29	175	47.32	4.3	0.80			31	164	44.23	4.3	0.85			36	143	38.23	4.2	1.00	43	122	32.48	4.1	1.10	48	110	29.00	4.0	1.15	56	95	24.77	3.9	1.20	60	89	23.20	3.9	1.25	71	84	19.54	3.4	1.30	78	73	17.80	3.4	1.40	92	68	15.12	3.3	1.50	103	59	13.50	3.2	1.55	121	50	11.53	3.1	1.65	129	45	10.80	3.1	1.70	153	39	9.10	3.0	1.80																																																																																																																																																																																																																																												
6.3	774	219	14	1.40			2.4	1836	286.40	34	1.90	GS99 GSF99 GSA99 GSAF99	8P	17	248	44.23	6.9	1.00			2.6	1701	262.22	34	1.95			3.0	1521	231.67	35	2.05	3.2	1386	288.00	28	1.60	GS89 GSF89 GSA89 GSAF89	6P	18	248	44.23	6.9	1.00			3.5	1260	258.18	28	1.65			4.1	1098	222.40	28	1.80	4.5	1008	202.96	28	1.85			4.8	945	288.00	28	1.90			5.4	855	258.18	28	2.00	GS89 GSF89 GSA89 GSAF89	4P	19	225	71.75	7.1	1.15			6.3	747	222.40	28	2.10			6.8	689	202.96	28	2.20	7.4	608	189.09	15	1.65			4.0	1044	225.26	12	1.10	GS79 GSF79 GSA79 GSAF79	6P	20	212	67.20	7.2	1.20			4.3	999	214.00	12	1.15			4.8	891	189.09	13	1.30	5.6	774	161.60	14	1.45	GS79 GSF79 GSA79 GSAF79	4P	21	212	67.20	7.2	1.20			5.4	801	256.47	14	1.45			6.2	711	225.26	14	1.55	6.5	680	214.00	14	1.60			7.4	608	189.09	15	1.65			7.3	73	19.13	2.2	0.85	GS49 GSF49 GSA49 GSAF49	4P	22	234	62.35	10	1.60			102	52	13.63	1.9	0.85			115	47	12.08	1.8	0.95	135	40	10.27	1.8	1.00			148	39	19.13	2.0	1.10			208	28	13.63	1.7	1.25			234	24	12.08	1.7	1.30			276	21	10.27	1.7	1.35			29	175	47.32	4.3	0.80			31	164	44.23	4.3	0.85			36	143	38.23	4.2	1.00	43	122	32.48	4.1	1.10	48	110	29.00	4.0	1.15	56	95	24.77	3.9	1.20	60	89	23.20	3.9	1.25	71	84	19.54	3.4	1.30	78	73	17.80	3.4	1.40	92	68	15.12	3.3	1.50	103	59	13.50	3.2	1.55	121	50	11.53	3.1	1.65	129	45	10.80	3.1	1.70	153	39	9.10	3.0	1.80																																																																																																																																																																																																																																																			
2.4	1836	286.40	34	1.90	GS99 GSF99 GSA99 GSAF99	8P	17	248	44.23	6.9	1.00			2.6	1701	262.22	34	1.95			3.0	1521	231.67	35	2.05	3.2	1386	288.00	28	1.60	GS89 GSF89 GSA89 GSAF89	6P	18	248	44.23	6.9	1.00			3.5	1260	258.18	28	1.65			4.1	1098	222.40	28	1.80			4.5	1008	202.96	28	1.85	4.8	945	288.00	28	1.90			5.4	855	258.18	28	2.00	GS89 GSF89 GSA89 GSAF89	4P	19	225	71.75	7.1	1.15			6.3	747	222.40	28	2.10			6.8	689	202.96	28	2.20			7.4	608	189.09	15	1.65	4.0	1044	225.26	12	1.10	GS79 GSF79 GSA79 GSAF79	6P	20	212	67.20	7.2	1.20			4.3	999	214.00	12	1.15			4.8	891	189.09	13	1.30	5.6	774	161.60	14	1.45	GS79 GSF79 GSA79 GSAF79	4P	21	212	67.20	7.2	1.20			5.4	801	256.47	14	1.45			6.2	711	225.26	14	1.55			6.5	680	214.00	14	1.60	7.4	608	189.09	15	1.65			7.3	73	19.13	2.2	0.85	GS49 GSF49 GSA49 GSAF49	4P	22	234	62.35	10	1.60			102	52	13.63	1.9	0.85			115	47	12.08	1.8	0.95			135	40	10.27	1.8	1.00	148	39	19.13	2.0	1.10			208	28	13.63	1.7	1.25			234	24	12.08	1.7	1.30			276	21	10.27	1.7	1.35			29	175	47.32	4.3	0.80			31	164	44.23	4.3	0.85			36	143	38.23	4.2	1.00	43	122	32.48	4.1	1.10	48	110	29.00	4.0	1.15	56	95	24.77	3.9	1.20	60	89	23.20	3.9	1.25	71	84	19.54	3.4	1.30	78	73	17.80	3.4	1.40	92	68	15.12	3.3	1.50	103	59	13.50	3.2	1.55	121	50	11.53	3.1	1.65	129	45	10.80	3.1	1.70	153	39	9.10	3.0	1.80																																																																																																																																																																																																																																																										
2.6	1701	262.22	34	1.95			3.0	1521	231.67	35	2.05			3.2	1386	288.00	28	1.60	GS89 GSF89 GSA89 GSAF89	6P	18	248	44.23	6.9	1.00	3.5	1260	258.18	28	1.65			4.1	1098	222.40	28	1.80			4.5	1008	202.96	28	1.85			4.8	945	288.00	28	1.90			5.4	855	258.18	28	2.00	GS89 GSF89 GSA89 GSAF89	4P	19	225	71.75	7.1	1.15	6.3	747	222.40	28	2.10			6.8	689	202.96	28	2.20			7.4	608	189.09	15	1.65			4.0	1044	225.26	12	1.10	GS79 GSF79 GSA79 GSAF79	6P	20	212	67.20	7.2	1.20	4.3	999	214.00	12	1.15			4.8	891	189.09	13	1.30			5.6	774	161.60	14	1.45	GS79 GSF79 GSA79 GSAF79	4P	21	212	67.20	7.2	1.20	5.4	801	256.47	14	1.45			6.2	711	225.26	14	1.55			6.5	680	214.00	14	1.60			7.4	608	189.09	15	1.65			7.3	73	19.13	2.2	0.85	GS49 GSF49 GSA49 GSAF49	4P	22	234	62.35	10	1.60	102	52	13.63	1.9	0.85			115	47	12.08	1.8	0.95			135	40	10.27	1.8	1.00			148	39	19.13	2.0	1.10			208	28	13.63	1.7	1.25	234	24	12.08	1.7	1.30			276	21	10.27	1.7	1.35			29	175	47.32	4.3	0.80			31	164	44.23	4.3	0.85			36	143	38.23	4.2	1.00			43	122	32.48	4.1	1.10	48	110	29.00	4.0	1.15	56	95	24.77	3.9	1.20	60	89	23.20	3.9	1.25	71	84	19.54	3.4	1.30	78	73	17.80	3.4	1.40	92	68	15.12	3.3	1.50	103	59	13.50	3.2	1.55	121	50	11.53	3.1	1.65	129	45	10.80	3.1	1.70	153	39	9.10	3.0	1.80																																																																																																																																																																																																																																																																						
3.0	1521	231.67	35	2.05			3.2	1386	288.00	28	1.60	GS89 GSF89 GSA89 GSAF89	6P	18	248	44.23	6.9	1.00			3.5	1260	258.18	28	1.65	4.1	1098	222.40	28	1.80			4.5	1008	202.96	28	1.85			4.8	945	288.00	28	1.90			5.4	855	258.18	28	2.00	GS89 GSF89 GSA89 GSAF89	4P	19	225	71.75	7.1	1.15			6.3	747	222.40	28	2.10	6.8	689	202.96	28	2.20			7.4	608	189.09	15	1.65			4.0	1044	225.26	12	1.10	GS79 GSF79 GSA79 GSAF79	6P	20	212	67.20	7.2	1.20			4.3	999	214.00	12	1.15	4.8	891	189.09	13	1.30			5.6	774	161.60	14	1.45	GS79 GSF79 GSA79 GSAF79	4P	21	212	67.20	7.2	1.20			5.4	801	256.47	14	1.45	6.2	711	225.26	14	1.55			6.5	680	214.00	14	1.60			7.4	608	189.09	15	1.65			7.3	73	19.13	2.2	0.85	GS49 GSF49 GSA49 GSAF49	4P	22	234	62.35	10	1.60			102	52	13.63	1.9	0.85	115	47	12.08	1.8	0.95			135	40	10.27	1.8	1.00			148	39	19.13	2.0	1.10			208	28	13.63	1.7	1.25			234	24	12.08	1.7	1.30	276	21	10.27	1.7	1.35			29	175	47.32	4.3	0.80			31	164	44.23	4.3	0.85			36	143	38.23	4.2	1.00			43	122	32.48	4.1	1.10	48	110	29.00	4.0	1.15	56	95	24.77	3.9	1.20	60	89	23.20	3.9	1.25	71	84	19.54	3.4	1.30	78	73	17.80	3.4	1.40	92	68	15.12	3.3	1.50	103	59	13.50	3.2	1.55	121	50	11.53	3.1	1.65	129	45	10.80	3.1	1.70	153	39	9.10	3.0	1.80																																																																																																																																																																																																																																																																													
3.2	1386	288.00	28	1.60	GS89 GSF89 GSA89 GSAF89	6P	18	248	44.23	6.9	1.00			3.5	1260	258.18	28	1.65			4.1	1098	222.40	28	1.80	4.5	1008	202.96	28	1.85			4.8	945	288.00	28	1.90			5.4	855	258.18	28	2.00	GS89 GSF89 GSA89 GSAF89	4P	19	225	71.75	7.1	1.15			6.3	747	222.40	28	2.10			6.8	689	202.96	28	2.20	7.4	608	189.09	15	1.65			4.0	1044	225.26	12	1.10	GS79 GSF79 GSA79 GSAF79	6P	20	212	67.20	7.2	1.20			4.3	999	214.00	12	1.15			4.8	891	189.09	13	1.30	5.6	774	161.60	14	1.45	GS79 GSF79 GSA79 GSAF79	4P	21	212	67.20	7.2	1.20			5.4	801	256.47	14	1.45			6.2	711	225.26	14	1.55	6.5	680	214.00	14	1.60			7.4	608	189.09	15	1.65			7.3	73	19.13	2.2	0.85	GS49 GSF49 GSA49 GSAF49	4P	22	234	62.35	10	1.60			102	52	13.63	1.9	0.85			115	47	12.08	1.8	0.95	135	40	10.27	1.8	1.00			148	39	19.13	2.0	1.10			208	28	13.63	1.7	1.25			234	24	12.08	1.7	1.30			276	21	10.27	1.7	1.35	29	175	47.32	4.3	0.80			31	164	44.23	4.3	0.85			36	143	38.23	4.2	1.00			43	122	32.48	4.1	1.10	48	110	29.00	4.0	1.15	56	95	24.77	3.9	1.20	60	89	23.20	3.9	1.25	71	84	19.54	3.4	1.30	78	73	17.80	3.4	1.40	92	68	15.12	3.3	1.50	103	59	13.50	3.2	1.55	121	50	11.53	3.1	1.65	129	45	10.80	3.1	1.70	153	39	9.10	3.0	1.80																																																																																																																																																																																																																																																																																				
3.5	1260	258.18	28	1.65			4.1	1098	222.40	28	1.80			4.5	1008	202.96	28	1.85			4.8	945	288.00	28	1.90	5.4	855	258.18	28	2.00			GS89 GSF89 GSA89 GSAF89	4P	19	225	71.75	7.1	1.15	6.3	747	222.40	28	2.10			6.8	689	202.96	28	2.20			7.4	608	189.09	15	1.65			4.0	1044	225.26	12	1.10	GS79 GSF79 GSA79 GSAF79	6P	20	212	67.20	7.2	1.20	4.3	999	214.00	12	1.15			4.8	891	189.09	13	1.30			5.6	774	161.60	14	1.45	GS79 GSF79 GSA79 GSAF79	4P	21	212	67.20	7.2	1.20	5.4	801	256.47	14	1.45			6.2	711	225.26	14	1.55			6.5	680	214.00	14	1.60			7.4	608	189.09	15	1.65	7.3	73	19.13	2.2	0.85			GS49 GSF49 GSA49 GSAF49	4P	22	234	62.35	10	1.60	102	52	13.63	1.9	0.85			115	47	12.08	1.8	0.95			135	40	10.27	1.8	1.00			148	39	19.13	2.0	1.10	208	28	13.63	1.7	1.25			234	24	12.08	1.7	1.30			276	21	10.27	1.7	1.35			29	175	47.32	4.3	0.80			31	164	44.23	4.3	0.85	36	143	38.23	4.2	1.00			43	122	32.48	4.1	1.10			48	110	29.00	4.0	1.15	56	95	24.77	3.9	1.20	60	89	23.20	3.9	1.25	71	84	19.54	3.4	1.30	78	73	17.80	3.4	1.40	92	68	15.12	3.3	1.50	103	59	13.50	3.2	1.55	121	50	11.53	3.1	1.65	129	45	10.80	3.1	1.70	153	39	9.10	3.0	1.80																																																																																																																																																																																																																																																																																																
4.1	1098	222.40	28	1.80			4.5	1008	202.96	28	1.85			4.8	945	288.00	28	1.90			5.4	855	258.18	28	2.00	GS89 GSF89 GSA89 GSAF89	4P	19	225	71.75	7.1	1.15			6.3	747	222.40	28	2.10	6.8	689	202.96	28	2.20			7.4	608	189.09	15	1.65			4.0	1044	225.26	12	1.10	GS79 GSF79 GSA79 GSAF79	6P	20	212	67.20	7.2	1.20			4.3	999	214.00	12	1.15	4.8	891	189.09	13	1.30			5.6	774	161.60	14	1.45	GS79 GSF79 GSA79 GSAF79	4P	21	212	67.20	7.2	1.20			5.4	801	256.47	14	1.45	6.2	711	225.26	14	1.55			6.5	680	214.00	14	1.60			7.4	608	189.09	15	1.65			7.3	73	19.13	2.2	0.85	GS49 GSF49 GSA49 GSAF49	4P	22	234	62.35	10	1.60			102	52	13.63	1.9	0.85	115	47	12.08	1.8	0.95			135	40	10.27	1.8	1.00			148	39	19.13	2.0	1.10			208	28	13.63	1.7	1.25	234	24	12.08	1.7	1.30			276	21	10.27	1.7	1.35			29	175	47.32	4.3	0.80			31	164	44.23	4.3	0.85			36	143	38.23	4.2	1.00	43	122	32.48	4.1	1.10			48	110	29.00	4.0	1.15	56	95	24.77	3.9	1.20	60	89	23.20	3.9	1.25	71	84	19.54	3.4	1.30	78	73	17.80	3.4	1.40	92	68	15.12	3.3	1.50	103	59	13.50	3.2	1.55	121	50	11.53	3.1	1.65	129	45	10.80	3.1	1.70	153	39	9.10	3.0	1.80																																																																																																																																																																																																																																																																																																							
4.5	1008	202.96	28	1.85			4.8	945	288.00	28	1.90			5.4	855	258.18	28	2.00	GS89 GSF89 GSA89 GSAF89	4P	19	225	71.75	7.1	1.15			6.3	747	222.40	28	2.10			6.8	689	202.96	28	2.20	7.4	608	189.09	15	1.65			4.0	1044	225.26	12	1.10	GS79 GSF79 GSA79 GSAF79	6P	20	212	67.20	7.2	1.20			4.3	999	214.00	12	1.15			4.8	891	189.09	13	1.30	5.6	774	161.60	14	1.45	GS79 GSF79 GSA79 GSAF79	4P	21	212	67.20	7.2	1.20			5.4	801	256.47	14	1.45			6.2	711	225.26	14	1.55	6.5	680	214.00	14	1.60			7.4	608	189.09	15	1.65			7.3	73	19.13	2.2	0.85	GS49 GSF49 GSA49 GSAF49	4P	22	234	62.35	10	1.60			102	52	13.63	1.9	0.85			115	47	12.08	1.8	0.95	135	40	10.27	1.8	1.00			148	39	19.13	2.0	1.10			208	28	13.63	1.7	1.25			234	24	12.08	1.7	1.30	276	21	10.27	1.7	1.35			29	175	47.32	4.3	0.80			31	164	44.23	4.3	0.85			36	143	38.23	4.2	1.00			43	122	32.48	4.1	1.10	48	110	29.00	4.0	1.15	56	95	24.77	3.9	1.20	60	89	23.20	3.9	1.25	71	84	19.54	3.4	1.30	78	73	17.80	3.4	1.40	92	68	15.12	3.3	1.50	103	59	13.50	3.2	1.55	121	50	11.53	3.1	1.65	129	45	10.80	3.1	1.70	153	39	9.10	3.0	1.80																																																																																																																																																																																																																																																																																																														
4.8	945	288.00	28	1.90			5.4	855	258.18	28	2.00	GS89 GSF89 GSA89 GSAF89	4P	19	225	71.75	7.1	1.15			6.3	747	222.40	28	2.10			6.8	689	202.96	28	2.20			7.4	608	189.09	15	1.65	4.0	1044	225.26	12	1.10	GS79 GSF79 GSA79 GSAF79	6P	20	212	67.20	7.2	1.20			4.3	999	214.00	12	1.15			4.8	891	189.09	13	1.30	5.6	774	161.60	14	1.45	GS79 GSF79 GSA79 GSAF79	4P	21	212	67.20	7.2	1.20			5.4	801	256.47	14	1.45			6.2	711	225.26	14	1.55			6.5	680	214.00	14	1.60	7.4	608	189.09	15	1.65			7.3	73	19.13	2.2	0.85	GS49 GSF49 GSA49 GSAF49	4P	22	234	62.35	10	1.60			102	52	13.63	1.9	0.85			115	47	12.08	1.8	0.95			135	40	10.27	1.8	1.00	148	39	19.13	2.0	1.10			208	28	13.63	1.7	1.25			234	24	12.08	1.7	1.30			276	21	10.27	1.7	1.35	29	175	47.32	4.3	0.80			31	164	44.23	4.3	0.85			36	143	38.23	4.2	1.00			43	122	32.48	4.1	1.10	48	110	29.00	4.0	1.15	56	95	24.77	3.9	1.20	60	89	23.20	3.9	1.25	71	84	19.54	3.4	1.30	78	73	17.80	3.4	1.40	92	68	15.12	3.3	1.50	103	59	13.50	3.2	1.55	121	50	11.53	3.1	1.65	129	45	10.80	3.1	1.70	153	39	9.10	3.0	1.80																																																																																																																																																																																																																																																																																																																					
5.4	855	258.18	28	2.00	GS89 GSF89 GSA89 GSAF89	4P	19	225	71.75	7.1	1.15			6.3	747	222.40	28	2.10			6.8	689	202.96	28	2.20			7.4	608	189.09	15	1.65	4.0	1044	225.26	12	1.10	GS79 GSF79 GSA79 GSAF79	6P	20	212	67.20	7.2	1.20			4.3	999	214.00	12	1.15			4.8	891	189.09	13	1.30	5.6	774	161.60	14	1.45	GS79 GSF79 GSA79 GSAF79	4P	21	212	67.20	7.2	1.20			5.4	801	256.47	14	1.45			6.2	711	225.26	14	1.55			6.5	680	214.00	14	1.60			7.4	608	189.09	15	1.65	7.3	73	19.13	2.2	0.85	GS49 GSF49 GSA49 GSAF49	4P	22	234	62.35	10	1.60			102	52	13.63	1.9	0.85			115	47	12.08	1.8	0.95			135	40	10.27	1.8	1.00			148	39	19.13	2.0	1.10	208	28	13.63	1.7	1.25			234	24	12.08	1.7	1.30			276	21	10.27	1.7	1.35			29	175	47.32	4.3	0.80	31	164	44.23	4.3	0.85			36	143	38.23	4.2	1.00			43	122	32.48	4.1	1.10	48	110	29.00	4.0	1.15	56	95	24.77	3.9	1.20	60	89	23.20	3.9	1.25	71	84	19.54	3.4	1.30	78	73	17.80	3.4	1.40	92	68	15.12	3.3	1.50	103	59	13.50	3.2	1.55	121	50	11.53	3.1	1.65	129	45	10.80	3.1	1.70	153	39	9.10	3.0	1.80																																																																																																																																																																																																																																																																																																																												
6.3	747	222.40	28	2.10			6.8	689	202.96	28	2.20			7.4	608	189.09	15	1.65			4.0	1044	225.26	12	1.10	GS79 GSF79 GSA79 GSAF79	6P	20	212	67.20	7.2	1.20	4.3	999	214.00	12	1.15			4.8	891	189.09	13	1.30			5.6	774	161.60	14	1.45	GS79 GSF79 GSA79 GSAF79	4P	21	212	67.20	7.2	1.20	5.4	801	256.47	14	1.45			6.2	711	225.26	14	1.55			6.5	680	214.00	14	1.60			7.4	608	189.09	15	1.65			7.3	73	19.13	2.2	0.85	GS49 GSF49 GSA49 GSAF49	4P	22	234	62.35	10	1.60	102	52	13.63	1.9	0.85			115	47	12.08	1.8	0.95			135	40	10.27	1.8	1.00			148	39	19.13	2.0	1.10			208	28	13.63	1.7	1.25			234	24	12.08	1.7	1.30	276	21	10.27	1.7	1.35			29	175	47.32	4.3	0.80			31	164	44.23	4.3	0.85			36	143	38.23	4.2	1.00	43	122	32.48	4.1	1.10			48	110	29.00	4.0	1.15	56	95	24.77	3.9	1.20	60	89	23.20	3.9	1.25	71	84	19.54	3.4	1.30	78	73	17.80	3.4	1.40	92	68	15.12	3.3	1.50	103	59	13.50	3.2	1.55	121	50	11.53	3.1	1.65	129	45	10.80	3.1	1.70	153	39	9.10	3.0	1.80																																																																																																																																																																																																																																																																																																																																								
6.8	689	202.96	28	2.20			7.4	608	189.09	15	1.65			4.0	1044	225.26	12	1.10	GS79 GSF79 GSA79 GSAF79	6P	20	212	67.20	7.2	1.20			4.3	999	214.00	12	1.15	4.8	891	189.09	13	1.30			5.6	774	161.60	14	1.45	GS79 GSF79 GSA79 GSAF79	4P	21	212	67.20	7.2	1.20			5.4	801	256.47	14	1.45	6.2	711	225.26	14	1.55			6.5	680	214.00	14	1.60			7.4	608	189.09	15	1.65			7.3	73	19.13	2.2	0.85	GS49 GSF49 GSA49 GSAF49	4P	22	234	62.35	10	1.60			102	52	13.63	1.9	0.85	115	47	12.08	1.8	0.95			135	40	10.27	1.8	1.00			148	39	19.13	2.0	1.10			208	28	13.63	1.7	1.25			234	24	12.08	1.7	1.30			276	21	10.27	1.7	1.35	29	175	47.32	4.3	0.80			31	164	44.23	4.3	0.85			36	143	38.23	4.2	1.00			43	122	32.48	4.1	1.10	48	110	29.00	4.0	1.15	56	95	24.77	3.9	1.20	60	89	23.20	3.9	1.25	71	84	19.54	3.4	1.30	78	73	17.80	3.4	1.40	92	68	15.12	3.3	1.50	103	59	13.50	3.2	1.55	121	50	11.53	3.1	1.65	129	45	10.80	3.1	1.70	153	39	9.10	3.0	1.80																																																																																																																																																																																																																																																																																																																																															
7.4	608	189.09	15	1.65			4.0	1044	225.26	12	1.10	GS79 GSF79 GSA79 GSAF79	6P	20	212	67.20	7.2	1.20			4.3	999	214.00	12	1.15			4.8	891	189.09	13	1.30	5.6	774	161.60	14	1.45	GS79 GSF79 GSA79 GSAF79	4P	21	212	67.20	7.2	1.20			5.4	801	256.47	14	1.45			6.2	711	225.26	14	1.55	6.5	680	214.00	14	1.60			7.4	608	189.09	15	1.65			7.3	73	19.13	2.2	0.85	GS49 GSF49 GSA49 GSAF49	4P	22	234	62.35	10	1.60			102	52	13.63	1.9	0.85			115	47	12.08	1.8	0.95	135	40	10.27	1.8	1.00			148	39	19.13	2.0	1.10			208	28	13.63	1.7	1.25			234	24	12.08	1.7	1.30			276	21	10.27	1.7	1.35			29	175	47.32	4.3	0.80	31	164	44.23	4.3	0.85			36	143	38.23	4.2	1.00			43	122	32.48	4.1	1.10	48	110	29.00	4.0	1.15	56	95	24.77	3.9	1.20	60	89	23.20	3.9	1.25	71	84	19.54	3.4	1.30	78	73	17.80	3.4	1.40	92	68	15.12	3.3	1.50	103	59	13.50	3.2	1.55	121	50	11.53	3.1	1.65	129	45	10.80	3.1	1.70	153	39	9.10	3.0	1.80																																																																																																																																																																																																																																																																																																																																																						
4.0	1044	225.26	12	1.10	GS79 GSF79 GSA79 GSAF79	6P	20	212	67.20	7.2	1.20			4.3	999	214.00	12	1.15			4.8	891	189.09	13	1.30	5.6	774	161.60	14	1.45	GS79 GSF79 GSA79 GSAF79	4P	21	212	67.20	7.2	1.20			5.4	801	256.47	14	1.45			6.2	711	225.26	14	1.55			6.5	680	214.00	14	1.60	7.4	608	189.09	15	1.65			7.3	73	19.13	2.2	0.85	GS49 GSF49 GSA49 GSAF49	4P	22	234	62.35	10	1.60			102	52	13.63	1.9	0.85			115	47	12.08	1.8	0.95			135	40	10.27	1.8	1.00	148	39	19.13	2.0	1.10			208	28	13.63	1.7	1.25			234	24	12.08	1.7	1.30			276	21	10.27	1.7	1.35			29	175	47.32	4.3	0.80			31	164	44.23	4.3	0.85	36	143	38.23	4.2	1.00			43	122	32.48	4.1	1.10	48	110	29.00	4.0	1.15	56	95	24.77	3.9	1.20	60	89	23.20	3.9	1.25	71	84	19.54	3.4	1.30	78	73	17.80	3.4	1.40	92	68	15.12	3.3	1.50	103	59	13.50	3.2	1.55	121	50	11.53	3.1	1.65	129	45	10.80	3.1	1.70	153	39	9.10	3.0	1.80																																																																																																																																																																																																																																																																																																																																																													
4.3	999	214.00	12	1.15			4.8	891	189.09	13	1.30			5.6	774	161.60	14	1.45	GS79 GSF79 GSA79 GSAF79	4P	21	212	67.20	7.2	1.20	5.4	801	256.47	14	1.45			6.2	711	225.26	14	1.55			6.5	680	214.00	14	1.60			7.4	608	189.09	15	1.65			7.3	73	19.13	2.2	0.85	GS49 GSF49 GSA49 GSAF49	4P	22	234	62.35	10	1.60	102	52	13.63	1.9	0.85			115	47	12.08	1.8	0.95			135	40	10.27	1.8	1.00			148	39	19.13	2.0	1.10			208	28	13.63	1.7	1.25	234	24	12.08	1.7	1.30			276	21	10.27	1.7	1.35			29	175	47.32	4.3	0.80			31	164	44.23	4.3	0.85			36	143	38.23	4.2	1.00			43	122	32.48	4.1	1.10	48	110	29.00	4.0	1.15	56	95	24.77	3.9	1.20	60	89	23.20	3.9	1.25	71	84	19.54	3.4	1.30	78	73	17.80	3.4	1.40	92	68	15.12	3.3	1.50	103	59	13.50	3.2	1.55	121	50	11.53	3.1	1.65	129	45	10.80	3.1	1.70	153	39	9.10	3.0	1.80																																																																																																																																																																																																																																																																																																																																																																									
4.8	891	189.09	13	1.30			5.6	774	161.60	14	1.45	GS79 GSF79 GSA79 GSAF79	4P	21	212	67.20	7.2	1.20			5.4	801	256.47	14	1.45	6.2	711	225.26	14	1.55			6.5	680	214.00	14	1.60			7.4	608	189.09	15	1.65			7.3	73	19.13	2.2	0.85	GS49 GSF49 GSA49 GSAF49	4P	22	234	62.35	10	1.60			102	52	13.63	1.9	0.85	115	47	12.08	1.8	0.95			135	40	10.27	1.8	1.00			148	39	19.13	2.0	1.10			208	28	13.63	1.7	1.25			234	24	12.08	1.7	1.30	276	21	10.27	1.7	1.35			29	175	47.32	4.3	0.80			31	164	44.23	4.3	0.85			36	143	38.23	4.2	1.00			43	122	32.48	4.1	1.10	48	110	29.00	4.0	1.15	56	95	24.77	3.9	1.20	60	89	23.20	3.9	1.25	71	84	19.54	3.4	1.30	78	73	17.80	3.4	1.40	92	68	15.12	3.3	1.50	103	59	13.50	3.2	1.55	121	50	11.53	3.1	1.65	129	45	10.80	3.1	1.70	153	39	9.10	3.0	1.80																																																																																																																																																																																																																																																																																																																																																																																
5.6	774	161.60	14	1.45	GS79 GSF79 GSA79 GSAF79	4P	21	212	67.20	7.2	1.20			5.4	801	256.47	14	1.45			6.2	711	225.26	14	1.55	6.5	680	214.00	14	1.60			7.4	608	189.09	15	1.65			7.3	73	19.13	2.2	0.85	GS49 GSF49 GSA49 GSAF49	4P	22	234	62.35	10	1.60			102	52	13.63	1.9	0.85			115	47	12.08	1.8	0.95	135	40	10.27	1.8	1.00			148	39	19.13	2.0	1.10			208	28	13.63	1.7	1.25			234	24	12.08	1.7	1.30			276	21	10.27	1.7	1.35	29	175	47.32	4.3	0.80			31	164	44.23	4.3	0.85			36	143	38.23	4.2	1.00			43	122	32.48	4.1	1.10	48	110	29.00	4.0	1.15	56	95	24.77	3.9	1.20	60	89	23.20	3.9	1.25	71	84	19.54	3.4	1.30	78	73	17.80	3.4	1.40	92	68	15.12	3.3	1.50	103	59	13.50	3.2	1.55	121	50	11.53	3.1	1.65	129	45	10.80	3.1	1.70	153	39	9.10	3.0	1.80																																																																																																																																																																																																																																																																																																																																																																																							
5.4	801	256.47	14	1.45			6.2	711	225.26	14	1.55			6.5	680	214.00	14	1.60			7.4	608	189.09	15	1.65	7.3	73	19.13	2.2	0.85			GS49 GSF49 GSA49 GSAF49	4P	22	234	62.35	10	1.60	102	52	13.63	1.9	0.85			115	47	12.08	1.8	0.95			135	40	10.27	1.8	1.00			148	39	19.13	2.0	1.10	208	28	13.63	1.7	1.25			234	24	12.08	1.7	1.30			276	21	10.27	1.7	1.35			29	175	47.32	4.3	0.80			31	164	44.23	4.3	0.85	36	143	38.23	4.2	1.00			43	122	32.48	4.1	1.10			48	110	29.00	4.0	1.15	56	95	24.77	3.9	1.20	60	89	23.20	3.9	1.25	71	84	19.54	3.4	1.30	78	73	17.80	3.4	1.40	92	68	15.12	3.3	1.50	103	59	13.50	3.2	1.55	121	50	11.53	3.1	1.65	129	45	10.80	3.1	1.70	153	39	9.10	3.0	1.80																																																																																																																																																																																																																																																																																																																																																																																																			
6.2	711	225.26	14	1.55			6.5	680	214.00	14	1.60			7.4	608	189.09	15	1.65			7.3	73	19.13	2.2	0.85	GS49 GSF49 GSA49 GSAF49	4P	22	234	62.35	10	1.60			102	52	13.63	1.9	0.85	115	47	12.08	1.8	0.95			135	40	10.27	1.8	1.00			148	39	19.13	2.0	1.10			208	28	13.63	1.7	1.25	234	24	12.08	1.7	1.30			276	21	10.27	1.7	1.35			29	175	47.32	4.3	0.80			31	164	44.23	4.3	0.85			36	143	38.23	4.2	1.00	43	122	32.48	4.1	1.10			48	110	29.00	4.0	1.15	56	95	24.77	3.9	1.20	60	89	23.20	3.9	1.25	71	84	19.54	3.4	1.30	78	73	17.80	3.4	1.40	92	68	15.12	3.3	1.50	103	59	13.50	3.2	1.55	121	50	11.53	3.1	1.65	129	45	10.80	3.1	1.70	153	39	9.10	3.0	1.80																																																																																																																																																																																																																																																																																																																																																																																																										
6.5	680	214.00	14	1.60			7.4	608	189.09	15	1.65			7.3	73	19.13	2.2	0.85	GS49 GSF49 GSA49 GSAF49	4P	22	234	62.35	10	1.60			102	52	13.63	1.9	0.85			115	47	12.08	1.8	0.95	135	40	10.27	1.8	1.00			148	39	19.13	2.0	1.10			208	28	13.63	1.7	1.25			234	24	12.08	1.7	1.30	276	21	10.27	1.7	1.35			29	175	47.32	4.3	0.80			31	164	44.23	4.3	0.85			36	143	38.23	4.2	1.00			43	122	32.48	4.1	1.10	48	110	29.00	4.0	1.15	56	95	24.77	3.9	1.20	60	89	23.20	3.9	1.25	71	84	19.54	3.4	1.30	78	73	17.80	3.4	1.40	92	68	15.12	3.3	1.50	103	59	13.50	3.2	1.55	121	50	11.53	3.1	1.65	129	45	10.80	3.1	1.70	153	39	9.10	3.0	1.80																																																																																																																																																																																																																																																																																																																																																																																																																	
7.4	608	189.09	15	1.65			7.3	73	19.13	2.2	0.85	GS49 GSF49 GSA49 GSAF49	4P	22	234	62.35	10	1.60			102	52	13.63	1.9	0.85			115	47	12.08	1.8	0.95			135	40	10.27	1.8	1.00	148	39	19.13	2.0	1.10			208	28	13.63	1.7	1.25			234	24	12.08	1.7	1.30			276	21	10.27	1.7	1.35	29	175	47.32	4.3	0.80			31	164	44.23	4.3	0.85			36	143	38.23	4.2	1.00			43	122	32.48	4.1	1.10	48	110	29.00	4.0	1.15	56	95	24.77	3.9	1.20	60	89	23.20	3.9	1.25	71	84	19.54	3.4	1.30	78	73	17.80	3.4	1.40	92	68	15.12	3.3	1.50	103	59	13.50	3.2	1.55	121	50	11.53	3.1	1.65	129	45	10.80	3.1	1.70	153	39	9.10	3.0	1.80																																																																																																																																																																																																																																																																																																																																																																																																																								
7.3	73	19.13	2.2	0.85	GS49 GSF49 GSA49 GSAF49	4P	22	234	62.35	10	1.60			102	52	13.63	1.9	0.85			115	47	12.08	1.8	0.95			135	40	10.27	1.8	1.00			148	39	19.13	2.0	1.10	208	28	13.63	1.7	1.25			234	24	12.08	1.7	1.30			276	21	10.27	1.7	1.35			29	175	47.32	4.3	0.80	31	164	44.23	4.3	0.85			36	143	38.23	4.2	1.00			43	122	32.48	4.1	1.10	48	110	29.00	4.0	1.15	56	95	24.77	3.9	1.20	60	89	23.20	3.9	1.25	71	84	19.54	3.4	1.30	78	73	17.80	3.4	1.40	92	68	15.12	3.3	1.50	103	59	13.50	3.2	1.55	121	50	11.53	3.1	1.65	129	45	10.80	3.1	1.70	153	39	9.10	3.0	1.80																																																																																																																																																																																																																																																																																																																																																																																																																															
102	52	13.63	1.9	0.85			115	47	12.08	1.8	0.95			135	40	10.27	1.8	1.00			148	39	19.13	2.0	1.10			208	28	13.63	1.7	1.25			234	24	12.08	1.7	1.30	276	21	10.27	1.7	1.35			29	175	47.32	4.3	0.80			31	164	44.23	4.3	0.85			36	143	38.23	4.2	1.00	43	122	32.48	4.1	1.10			48	110	29.00	4.0	1.15	56	95	24.77	3.9	1.20	60	89	23.20	3.9	1.25	71	84	19.54	3.4	1.30	78	73	17.80	3.4	1.40	92	68	15.12	3.3	1.50	103	59	13.50	3.2	1.55	121	50	11.53	3.1	1.65	129	45	10.80	3.1	1.70	153	39	9.10	3.0	1.80																																																																																																																																																																																																																																																																																																																																																																																																																																											
115	47	12.08	1.8	0.95			135	40	10.27	1.8	1.00			148	39	19.13	2.0	1.10			208	28	13.63	1.7	1.25			234	24	12.08	1.7	1.30			276	21	10.27	1.7	1.35	29	175	47.32	4.3	0.80			31	164	44.23	4.3	0.85			36	143	38.23	4.2	1.00			43	122	32.48	4.1	1.10	48	110	29.00	4.0	1.15	56	95	24.77	3.9	1.20	60	89	23.20	3.9	1.25	71	84	19.54	3.4	1.30	78	73	17.80	3.4	1.40	92	68	15.12	3.3	1.50	103	59	13.50	3.2	1.55	121	50	11.53	3.1	1.65	129	45	10.80	3.1	1.70	153	39	9.10	3.0	1.80																																																																																																																																																																																																																																																																																																																																																																																																																																																		
135	40	10.27	1.8	1.00			148	39	19.13	2.0	1.10			208	28	13.63	1.7	1.25			234	24	12.08	1.7	1.30			276	21	10.27	1.7	1.35			29	175	47.32	4.3	0.80	31	164	44.23	4.3	0.85			36	143	38.23	4.2	1.00			43	122	32.48	4.1	1.10	48	110	29.00	4.0	1.15	56	95	24.77	3.9	1.20	60	89	23.20	3.9	1.25	71	84	19.54	3.4	1.30	78	73	17.80	3.4	1.40	92	68	15.12	3.3	1.50	103	59	13.50	3.2	1.55	121	50	11.53	3.1	1.65	129	45	10.80	3.1	1.70	153	39	9.10	3.0	1.80																																																																																																																																																																																																																																																																																																																																																																																																																																																									
148	39	19.13	2.0	1.10			208	28	13.63	1.7	1.25			234	24	12.08	1.7	1.30			276	21	10.27	1.7	1.35			29	175	47.32	4.3	0.80			31	164	44.23	4.3	0.85	36	143	38.23	4.2	1.00			43	122	32.48	4.1	1.10	48	110	29.00	4.0	1.15	56	95	24.77	3.9	1.20	60	89	23.20	3.9	1.25	71	84	19.54	3.4	1.30	78	73	17.80	3.4	1.40	92	68	15.12	3.3	1.50	103	59	13.50	3.2	1.55	121	50	11.53	3.1	1.65	129	45	10.80	3.1	1.70	153	39	9.10	3.0	1.80																																																																																																																																																																																																																																																																																																																																																																																																																																																																
208	28	13.63	1.7	1.25			234	24	12.08	1.7	1.30			276	21	10.27	1.7	1.35			29	175	47.32	4.3	0.80			31	164	44.23	4.3	0.85			36	143	38.23	4.2	1.00	43	122	32.48	4.1	1.10	48	110	29.00	4.0	1.15	56	95	24.77	3.9	1.20	60	89	23.20	3.9	1.25	71	84	19.54	3.4	1.30	78	73	17.80	3.4	1.40	92	68	15.12	3.3	1.50	103	59	13.50	3.2	1.55	121	50	11.53	3.1	1.65	129	45	10.80	3.1	1.70	153	39	9.10	3.0	1.80																																																																																																																																																																																																																																																																																																																																																																																																																																																																							
234	24	12.08	1.7	1.30			276	21	10.27	1.7	1.35			29	175	47.32	4.3	0.80			31	164	44.23	4.3	0.85			36	143	38.23	4.2	1.00	43	122	32.48	4.1	1.10	48	110	29.00	4.0	1.15	56	95	24.77	3.9	1.20	60	89	23.20	3.9	1.25	71	84	19.54	3.4	1.30	78	73	17.80	3.4	1.40	92	68	15.12	3.3	1.50	103	59	13.50	3.2	1.55	121	50	11.53	3.1	1.65	129	45	10.80	3.1	1.70	153	39	9.10	3.0	1.80																																																																																																																																																																																																																																																																																																																																																																																																																																																																														
276	21	10.27	1.7	1.35			29	175	47.32	4.3	0.80			31	164	44.23	4.3	0.85			36	143	38.23	4.2	1.00	43	122	32.48	4.1	1.10	48	110	29.00	4.0	1.15	56	95	24.77	3.9	1.20	60	89	23.20	3.9	1.25	71	84	19.54	3.4	1.30	78	73	17.80	3.4	1.40	92	68	15.12	3.3	1.50	103	59	13.50	3.2	1.55	121	50	11.53	3.1	1.65	129	45	10.80	3.1	1.70	153	39	9.10	3.0	1.80																																																																																																																																																																																																																																																																																																																																																																																																																																																																																					
29	175	47.32	4.3	0.80			31	164	44.23	4.3	0.85			36	143	38.23	4.2	1.00	43	122	32.48	4.1	1.10	48	110	29.00	4.0	1.15	56	95	24.77	3.9	1.20	60	89	23.20	3.9	1.25	71	84	19.54	3.4	1.30	78	73	17.80	3.4	1.40	92	68	15.12	3.3	1.50	103	59	13.50	3.2	1.55	121	50	11.53	3.1	1.65	129	45	10.80	3.1	1.70	153	39	9.10	3.0	1.80																																																																																																																																																																																																																																																																																																																																																																																																																																																																																												
31	164	44.23	4.3	0.85			36	143	38.23	4.2	1.00	43	122	32.48	4.1	1.10	48	110	29.00	4.0	1.15	56	95	24.77	3.9	1.20	60	89	23.20	3.9	1.25	71	84	19.54	3.4	1.30	78	73	17.80	3.4	1.40	92	68	15.12	3.3	1.50	103	59	13.50	3.2	1.55	121	50	11.53	3.1	1.65	129	45	10.80	3.1	1.70	153	39	9.10	3.0	1.80																																																																																																																																																																																																																																																																																																																																																																																																																																																																																																			
36	143	38.23	4.2	1.00	43	122	32.48	4.1	1.10	48	110	29.00	4.0	1.15	56	95	24.77	3.9	1.20	60	89	23.20	3.9	1.25	71	84	19.54	3.4	1.30	78	73	17.80	3.4	1.40	92	68	15.12	3.3	1.50	103	59	13.50	3.2	1.55	121	50	11.53	3.1	1.65	129	45	10.80	3.1	1.70	153	39	9.10	3.0	1.80																																																																																																																																																																																																																																																																																																																																																																																																																																																																																																										
43	122	32.48	4.1	1.10	48	110	29.00	4.0	1.15	56	95	24.77	3.9	1.20	60	89	23.20	3.9	1.25	71	84	19.54	3.4	1.30	78	73	17.80	3.4	1.40	92	68	15.12	3.3	1.50	103	59	13.50	3.2	1.55	121	50	11.53	3.1	1.65	129	45	10.80	3.1	1.70	153	39	9.10	3.0	1.80																																																																																																																																																																																																																																																																																																																																																																																																																																																																																																															
48	110	29.00	4.0	1.15	56	95	24.77	3.9	1.20	60	89	23.20	3.9	1.25	71	84	19.54	3.4	1.30	78	73	17.80	3.4	1.40	92	68	15.12	3.3	1.50	103	59	13.50	3.2	1.55	121	50	11.53	3.1	1.65	129	45	10.80	3.1	1.70	153	39	9.10	3.0	1.80																																																																																																																																																																																																																																																																																																																																																																																																																																																																																																																				
56	95	24.77	3.9	1.20	60	89	23.20	3.9	1.25	71	84	19.54	3.4	1.30	78	73	17.80	3.4	1.40	92	68	15.12	3.3	1.50	103	59	13.50	3.2	1.55	121	50	11.53	3.1	1.65	129	45	10.80	3.1	1.70	153	39	9.10	3.0	1.80																																																																																																																																																																																																																																																																																																																																																																																																																																																																																																																									
60	89	23.20	3.9	1.25	71	84	19.54	3.4	1.30	78	73	17.80	3.4	1.40	92	68	15.12	3.3	1.50	103	59	13.50	3.2	1.55	121	50	11.53	3.1	1.65	129	45	10.80	3.1	1.70	153	39	9.10	3.0	1.80																																																																																																																																																																																																																																																																																																																																																																																																																																																																																																																														
71	84	19.54	3.4	1.30	78	73	17.80	3.4	1.40	92	68	15.12	3.3	1.50	103	59	13.50	3.2	1.55	121	50	11.53	3.1	1.65	129	45	10.80	3.1	1.70	153	39	9.10	3.0	1.80																																																																																																																																																																																																																																																																																																																																																																																																																																																																																																																																			
78	73	17.80	3.4	1.40	92	68	15.12	3.3	1.50	103	59	13.50	3.2	1.55	121	50	11.53	3.1	1.65	129	45	10.80	3.1	1.70	153	39	9.10	3.0	1.80																																																																																																																																																																																																																																																																																																																																																																																																																																																																																																																																								
92	68	15.12	3.3	1.50	103	59	13.50	3.2	1.55	121	50	11.53	3.1	1.65	129	45	10.80	3.1	1.70	153	39	9.10	3.0	1.80																																																																																																																																																																																																																																																																																																																																																																																																																																																																																																																																													
103	59	13.50	3.2	1.55	121	50	11.53	3.1	1.65	129	45	10.80	3.1	1.70	153	39	9.10	3.0	1.80																																																																																																																																																																																																																																																																																																																																																																																																																																																																																																																																																		
121	50	11.53	3.1	1.65	129	45	10.80	3.1	1.70	153	39	9.10	3.0	1.80																																																																																																																																																																																																																																																																																																																																																																																																																																																																																																																																																							
129	45	10.80	3.1	1.70	153	39	9.10	3.0	1.80																																																																																																																																																																																																																																																																																																																																																																																																																																																																																																																																																												
153	39	9.10	3.0	1.80																																																																																																																																																																																																																																																																																																																																																																																																																																																																																																																																																																	

选型参数表
(恒功率)
Selection Table
(Constant Power)

n_a [r/min]	M_a [N.m]	i	F_{Ra} [kN]	f_B	机型号 Type size	极数 Pole	n_a [r/min]	M_a [N.m]	i	F_{Ra} [kN]	f_B	机型号 Type size	极数 Pole			
1.1kW							1.1kW									
0.9	7529	1521	40	0.85	GS109R79	4P	22	342	62.35	9.2	1.30	GS69 GSF69 GSA69 GSAF69	4P			
1.1	6571	1327	40	1.00	GSF109R79		26	302	54.70	9.1	1.40					
1.7	4203	824	22	0.95	GSA109R79		30	257	46.40	8.8	1.45					
2.0	3069	714	33	1.35	GSAF109R79		33	234	41.89	8.6	1.55					
2.2	2808	538	33	1.45	GS99R59	4P	38	207	36.85	8.3	1.60					
2.6	2538	484	33	1.60	GSF99R59		40	198	34.80	8.2	1.65					
2.9	2205	420	34	1.70	GSA99R59		47	168	29.63	7.9	1.75					
3.3	2556	624	24	0.95	GSAF99R59		20	324	71.75	6.2	1.00					
2.2	2313	558	26	1.10	GS89R59 GSF89R59 GSA89R59 GSAF89R59		21	306	67.20	6.4	1.00					
2.5	2034	485	27	1.35		25	282	56.61	6.8	1.05						
3.2	1854	435	27	1.35		30	257	47.32	6.9	1.10						
3.7	1629	378	27	1.45		32	239	44.23	7.0	1.10						
4.3	1413	323	28	1.60		37	212	38.23	7.0	1.20						
5.0	1242	281	28	1.45		43	180	32.48	6.8	1.25						
5.5	1332	255	28	1.45		48	161	29.00	6.7	1.30						
6.3	1170	222	28	1.55		57	139	24.77	6.4	1.40						
6.8	1089	205	28	1.60		60	131	23.20	6.3	1.40						
6.4	1125	219	11	1.05		GS79R39	4P	72	111	19.54	6.1	1.50	GS59 GSF59 GSA59 GSAF59	4P		
2.5	2647	271.63	40	1.90	GSF79R39	79		105	17.80	5.6	1.55					
3.0	2206	229.96	38	2.00	GSA79R39	93		99	15.12	5.5	1.65					
3.2	2068	212.81	37	2.10	GSAF79R39	104		86	13.50	5.3	1.70					
3.6	1839	190.74	36	2.20	GS109 GSF109 GSA109 GSAF109	121	74	11.53	5.1	1.80						
2.4	2772	286.40	33	1.40		GS99	130	66	10.80	5.0	1.85					
2.6	2556	262.22	33	1.50		GSF99	154	57	9.10	4.8	2.00					
3.0	2286	231.67	34	1.70		GSA99	48	159	29.00	3.5	0.95					
3.5	1971	196.52	34	1.80		GSAF99	57	138	24.77	3.5	1.00					
3.2	2079	286.40	34	1.75		GS99 GSF99 GSA99 GSAF99	60	129	23.20	3.5	1.05					
3.5	1917	262.22	34	1.80			72	110	19.54	3.4	1.10					
3.9	1710	231.67	34	1.90			79	105	17.80	2.9	1.15					
3.2	1998	288.00	27	1.10			GS89	93	98	15.12	2.9	1.25				
3.5	1809	258.18	27	1.20			GSF89	104	86	13.50	2.9	1.30				
4.1	1584	222.40	27	1.35	GSA89		121	73	11.53	2.8	1.35					
4.5	1458	202.96	28	1.45	GSAF89		130	66	10.80	2.8	1.40					
4.9	1368	288.00	28	1.55	GS99 GSF99 GSA99 GSAF99		154	57	9.10	2.7	1.45					
5.4	1233	258.18	28	1.65			GS89	208	44	13.63	1.5	0.85				
6.3	1080	222.40	28	1.75			GSF89	234	36	12.08	1.5	0.90				
6.9	990	202.96	28	1.80		GSA89	276	31	10.27	1.5	1.00					
7.8	891	180.00	28	1.90		GSAF89	1.5kW									
9.3	756	151.30	28	2.00		GS89 GSF89 GSA89 GSAF89	1.2	7600	1126	40	0.85	GS109R79 GSF109R79 GSA109R79 GSAF109R79	4P			
6.2	1035	225.26	12	1.10			GS89 GSF89 GSA89 GSAF89	1.4	6643	984	40			1.00		
6.5	990	214.00	13	1.15				2.0	4176	714	28			0.90		
7.4	882	189.09	13	1.35				2.2	4455	626	18	0.85				
8.7	765	161.60	14	1.45				GS99R59 GSF99R59 GSA99R59 GSAF99R59	2.6	3834	538	30	1.00			
9.4	707	148.15	14	1.50	2.9				3465	484	32	1.10				
11	626	130.00	15	1.60	3.3				3015	420	33	1.25				
11	599	123.20	15	1.60	3.7				2727	376	33	1.40				
13	527	107.83	15	1.70	4.3				2394	327	34	1.65				
14	482	97.14	15	1.75	GS79 GSF79 GSA79 GSAF79				2.9	2781	485	16	0.80	GS89R59 GSF89R59 GSA89R59 GSAF89R59	4P	
16	423	85.22	15	1.85		3.2			2529	435	25	0.90				
12	545	121.33	7.4	0.85		3.7	2223		378	26	1.00					
13	486	106.75	8.1	0.95		4.3	1935		323	27	1.15					
14	464	100.80	8.3	1.00		5.0	1701		281	27	1.10					
16	401	85.83	8.8	1.15		5.5	1818	255	27	1.25						
18	365	78.00	9.1	1.30		6.3	1593	222	27	1.35						
21	360	65.63	9.1	1.30		6.8	1485	205	28	1.40						
							2.5	3610	271.63	40	1.60	GS109 GSF109 GSA109 GSAF109	8P			
							3.0	3008	229.96	38	1.70					
							3.2	2820	212.81	37	1.75					

**选型参数表
(恒功率)**
**Selection Table
(Constant Power)**

n_a [r/min]	M_a [N.m]	i	F_{Ra} [kN]	f_B	机型号 Type size	极数 Pole	n_a [r/min]	M_a [N.m]	i	F_{Ra} [kN]	f_B	机型号 Type size	极数 Pole
1.5kW							1.5kW						
3.5	2579	271.63	36	1.85	GS109	6P	43	243	32.48	6.3	0.90		
4.1	2201	229.96	34	2.00	GSF109		48	221	29.00	6.2	1.00		
4.4	2051	212.81	34	2.05	GSA109		57	189	24.77	6.0	1.15		
4.9	1841	190.74	32	2.15	GSAF109		60	176	23.20	6.0	1.25	GS59	
2.4	3627	286.40	31	1.05	GS99	8P	72	150	19.54	5.8	1.30	GSF59	4P
2.6	3348	262.22	32	1.15	GSF99		79	143	17.80	5.2	1.35	GSA59	
2.9	2997	231.67	33	1.25	GSA99		93	134	15.12	5.1	1.40	GSAF59	
3.5	2583	196.52	33	1.45	GSAF99		104	116	13.50	5.0	1.45		
3.3	2835	286.40	33	1.35	GS99	6P	121	99	11.53	4.8	1.55		
3.6	2619	262.22	33	1.45	GSF99		130	89	10.80	4.7	1.60		
4.1	2340	231.67	34	1.65	GSA99		154	77	9.10	4.6	1.70		
4.8	2007	196.52	34	1.75	GSAF99		104	117	13.50	2.5	0.85	GS49	4P
4.9	1917	286.40	34	1.80	GS99	121	101	11.53	2.5	1.00	GSF49		
5.3	1773	262.22	34	1.85	GSF99	130	94	10.80	2.5	1.10	GSA49		
6.0	1584	231.67	35	1.95	GSA99	154	79	9.10	2.5	1.25	GSAF49		
7.1	1359	196.52	35	2.10	GSAF99								
2.2kW							2.2kW						
3.6	2466	258.18	25	0.90	GS89	6P	2.1	6672	688	40	1.00	GS109R79	4P
4.2	2151	222.40	26	1.00	GSF89		2.4	5832	602	40	1.10	GSF109R79	
4.6	1980	202.96	27	1.10	GSA89							GSA109R79	
5.2	1782	180.00	27	1.20	GSAF89							GSAF109R79	
4.9	1854	288.00	27	1.10	GS89 GSF89 GSA89 GSAF89	4P	3.4	4455	420	18	0.90	GS99R59	4P
5.4	1674	258.18	27	1.20			3.8	4014	376	27	1.00	GSF99R59	
6.3	1467	222.40	28	1.40			4.4	3519	327	32	1.20	GSA99R59	
6.9	1350	202.96	28	1.55			5.0	3114	287	33	1.35	GSAF99R59	
7.8	1206	180.00	28	1.60			5.7	2727	252	33	1.50		
9.3	1026	151.30	28	1.75			3.5	3782	271.63	35	1.50	GS109	6P
10	954	139.05	28	1.80			4.1	3228	229.96	33	1.65	GSA109	
11	855	123.48	28	1.85			4.4	3008	212.81	33	1.70	GSAF109	
13	765	110.40	28	1.95	4.9	2701	190.74	32	1.75	GSF109			
14	693	99.26	28	2.00									
7.4	1197	189.09	10	1.10	GS79 GSF79 GSA79 GSAF79	4P	5.3	2498	271.63	31	1.80	GS109	4P
8.7	1035	161.60	12	1.15			6.2	2135	229.96	30	1.95	GSF109	
9.4	954	148.15	13	1.30			6.7	2117	212.81	29	2.00	GSA109	
11	846	130.00	13	1.35			7.5	1891	190.74	28	2.10	GSAF109	
11	810	123.20	14	1.40			8.3	1708	172.20	27	2.15		
13	716	107.83	14	1.45			9.1	1558	156.41	26	2.20		
14	653	97.14	15	1.50			3.3	4077	286.40	29	1.00	GS99	6P
16	576	85.22	15	1.60			3.6	3762	262.22	31	1.30	GSF99	
19	585	75.09	13	1.50			4.1	3357	231.67	32	1.35	GSA99	
20	558	71.33	13	1.55			4.8	2889	196.52	33	1.45	GSAF99	
21	459	66.67	14	1.70									
22	495	63.03	13	1.65			5.0	2817	286.40	33	1.45		4P
25	396	56.92	13	1.80	5.5	2601	262.22	33	1.55				
26	423	53.87	13	1.75	6.2	2313	231.67	34	1.65				
28	392	49.38	12	1.80	7.3	1989	196.52	34	1.75	GS99			
32	347	43.33	12	1.90	7.9	1845	180.95	34	1.80	GSF99			
					8.8	1656	161.74	34	1.85	GSA99			
					9.8	1503	145.60	35	1.95	GSAF99			
					11	1368	131.85	35	2.05				
					12	1224	116.92	35	2.10				
					14	1116	105.71	35	2.20				
					16	954	89.60	35	2.35				
16	540	85.83	7.5	0.85	5.5	2457	258.18	25	1.00		4P		
18	495	78.00	8.0	0.95	6.4	2142	222.40	26	1.10				
21	486	65.63	8.1	0.95	7.0	1971	202.96	27	1.25				
22	464	62.35	8.3	0.95	7.9	1773	180.00	27	1.35				
26	410	54.70	8.4	1.05	9.5	1512	151.30	27	1.45	GS89			
30	351	46.40	8.2	1.25	10	1395	139.05	28	1.50	GSF89			
33	320	41.89	8.0	1.30	12	1251	123.48	28	1.55	GSA89			
38	279	36.85	7.8	1.40	13	1125	110.40	28	1.60	GSAF89			
40	266	34.80	7.8	1.40	14	1017	99.26	28	1.70				
47	230	29.63	7.5	1.50	17	891	86.15	28	1.75				
52	207	26.93	7.4	1.55	17	954	81.76	28	1.65				
58	198	24.00	6.7	1.60	19	801	77.14	28	1.80				
65	189	21.67	6.6	1.70									
73	166	19.06	6.5	1.75	GS69	4P							
78	158	18.00	6.3	1.80	GSF69								
91	135	15.33	6.1	1.90	GSA69								
101	124	13.93	5.9	1.95	GSAF69								

**选型参数表
(恒功率)**
**Selection Table
(Constant Power)**

n_a [r/min]	M_a [N.m]	i	F_{Ra} [kN]	f_B	机型号 Type size	极数 Pole	n_a [r/min]	M_a [N.m]	i	F_{Ra} [kN]	f_B	机型号 Type size	极数 Pole				
2.2kW							3kW										
20	828	70.43	28	1.75	GS89	4P	5.0	3861	286.40	31	1.05	GS99 GSF99 GSA99 GSAF99	4P				
22	756	64.27	28	1.80	GSF89		5.5	3564	262.22	32	1.15						
25	675	57.00	28	1.90	GSA89		6.2	3177	231.67	32	1.30						
					GSAF89		7.3	2736	196.52	33	1.45						
11	1251	130.00	6	1.00	GS79 GSF79 GSA79 GSAF79	4P	7.9	2529	180.95	33	1.55			GS99 GSF99 GSA99 GSAF99	4P		
12	1188	123.20	11	1.05			8.8	2277	161.74	34	1.60						
13	1053	107.83	12	1.20			9.8	2070	145.60	34	1.65						
15	954	97.14	13	1.25			11	1881	131.85	34	1.75						
17	846	85.22	13	1.30			12	1683	116.92	34	1.80						
19	756	75.20	13	1.35			14	1530	105.71	35	1.90						
21	671	66.67	13	1.40	GS79 GSF79 GSA79 GSAF79	4P	16	1305	89.60	35	2.00	GS99 GSF99 GSA99 GSAF99	4P				
23	729	63.03	12	1.35			18	1323	80.85	35	2.00						
25	581	56.92	12	1.50			7.9	2430	180.00	26	1.00						
27	626	53.87	11	1.45			9.5	2070	151.30	27	1.15						
29	572	49.38	11	1.50			10	1917	139.05	27	1.25						
33	504	43.33	11	1.55			12	1710	123.48	27	1.30						
35	482	41.07	11	1.60	GS79 GSF79 GSA79 GSAF79	4P	13	1548	110.40	27	1.40			GS89 GSF89 GSA89 GSAF89	4P		
40	423	35.94	11	1.65			14	1395	99.26	28	1.45						
44	383	32.38	10	1.75			17	1224	86.15	28	1.50						
50	338	28.41	10	1.80			17	1314	81.76	28	1.40						
57	297	25.07	10	1.90			19	1107	77.14	28	1.55						
60	279	23.87	9.0	1.95			20	1134	70.43	28	1.50						
68	257	20.89	8.9	2.05	GS69 GSF69 GSA69 GSAF69	4P	22	1044	64.27	28	1.55	GS79 GSF79 GSA79 GSAF79	4P				
31	513	46.40	7.1	0.95			25	927	57.00	28	1.65						
34	464	41.89	7.1	1.05			30	783	47.91	28	1.75						
39	414	36.85	7.0	1.15			32	720	44.03	28	1.80						
41	392	34.80	7.0	1.20			37	644	39.10	28	1.90						
48	333	29.63	6.8	1.25			41	576	34.96	28	1.95						
53	306	26.93	6.7	1.30	GS59 GSF59 GSA59 GSAF59	4P	17	1161	85.22	11	1.05			GS79 GSF79 GSA79 GSAF79	4P		
61	266	23.33	6.6	1.35			19	1035	75.20	12	1.15						
66	243	21.67	5.8	1.40			21	918	66.67	12	1.20						
75	214	19.06	5.7	1.45			23	999	63.03	10	1.15						
79	208	18.00	5.7	1.50			25	792	56.92	11	1.30						
93	183	15.33	5.6	1.60			27	855	53.87	10	1.25						
103	165	13.93	5.5	1.65	GS59 GSF59 GSA59 GSAF59	4P	29	792	49.38	10	1.25	GS79 GSF79 GSA79 GSAF79	4P				
118	144	12.07	5.4	1.70			33	693	43.33	10	1.35						
136	125	10.50	5.3	1.80			35	662	41.07	10	1.35						
106	166	13.50	4.4	1.00			40	581	35.94	10	1.45						
124	141	11.53	4.4	1.15			44	527	32.38	10	1.50						
132	131	10.80	4.3	1.20			50	464	28.41	10	1.55						
157	112	9.10	4.2	1.40	57	410	25.07	9.3	1.65								
3kW							3kW										
2.6	7192	544	40	0.90	GS109R79	4P	60	386	23.87	8.2	1.65			GS79 GSF79 GSA79 GSAF79	4P		
3.0	6286	476	40	1.05	GSF109R79		68	341	20.89	8.2	1.75						
3.5	6349	409	40	1.05	GSA109R79		76	306	18.82	8.0	1.80						
					GSAF109R79		87	266	16.51	8.0	1.90						
5.0	4284	287	23	1.00	GS99R59	4P	98	237	14.57	7.8	2.00	GS69 GSF69 GSA69 GSAF69	4P				
5.7	3762	252	31	1.10	GSF99R59		111	209	12.92	7.7	2.10						
6.5	3285	219	32	1.30	GSA99R59		130	179	11.03	7.5	2.20						
7.0	3096	205	33	1.35	GSAF99R59		41	536	34.80	6.0	0.85						
3.5	4788	271.63	33	1.30	GS109	6P	48	459	29.63	6.0	1.00					GS69 GSF69 GSA69 GSAF69	4P
4.2	3990	229.96	32	1.40	GSF109		53	419	26.93	6.0	1.10						
4.5	3724	212.81	31	1.45	GSA109		61	365	23.33	6.0	1.15						
5.0	3352	190.74	30	1.50	GSAF109		66	344	21.67	5.2	1.20						
5.3	3406	271.63	30	1.55	GS109 GSF109 GSA109 GSAF109	4P	75	302	19.06	5.0	1.25			GS59 GSF59 GSA59 GSAF59	4P		
6.2	2912	229.96	29	1.65			79	287	18.00	5.0	1.30						
6.7	2694	212.81	28	1.70			93	244	15.33	5.0	1.35						
7.5	2407	190.74	27	1.75			103	221	13.93	4.9	1.40						
8.3	2174	172.20	26	1.85			118	196	12.07	4.9	1.50						
9.1	1984	156.41	26	1.90			136	170	10.50	4.8	1.55						
							132	179	10.80	3.8	0.90	GS59 GSF59 GSA59 GSAF59	4P				
							157	154	9.10	3.8	1.00						

选型参数表
(恒功率)
Selection Table
(Constant Power)

n_a [r/min]	M_a [N.m]	i	F_{Ra} [kN]	f_B	机型号 Type size	极数 Pole	n_a [r/min]	M_a [N.m]	i	F_{Ra} [kN]	f_B	机型号 Type size	极数 Pole		
4kW							4kW								
6.6	4320	219	21	0.95	GS99R59 GSF99R59 GSA99R59 GSAF99R59	4P	99	306	14.57	7.1	1.75	GS79 GSF79 GSA79 GSAF79	4P		
7.0	4043	205	26	1.05			111	273	12.92	7.0	1.85				
							131	231	11.03	6.8	2.00				
3.5	6728	271.63	31	1.00	GS109 GSF109 GSA109 GSAF109	6P	80	378	18.00	3.6	0.80	GS69 GSF69 GSA69 GSAF69	4P		
4.2	5729	229.96	30	1.15			94	322	15.33	4.0	0.95				
4.5	5315	212.81	30	1.20			103	293	13.93	4.3	1.05				
5.0	4809	190.74	29	1.30			119	254	12.07	4.3	1.20				
							137	221	10.50	4.3	1.35				
5.3	4592	271.63	29	1.35	GS109 GSF109 GSA109 GSAF109	4P	5.5kW								
6.3	3981	229.96	28	1.45			5.3	6314	271.63	27	1.00	GS109 GSF109 GSA109 GSAF109	4P		
6.8	3729	212.81	27	1.50			6.3	5474	229.96	26	1.20				
7.5	3384	190.74	26	1.55			6.8	5128	212.81	26	1.25				
8.4	3093	172.20	26	1.60			7.5	4653	190.74	25	1.30				
9.2	2845	156.41	25	1.65			8.4	4253	172.20	24	1.35				
10	2557	138.77	24	1.75			9.2	3912	156.41	24	1.40				
11	2350	125.93	23	1.80			10	3515	138.77	23	1.45				
13	2058	108.24	22	1.90			11	3231	125.93	23	1.55				
15	1783	94.48	21	2.00			13	2833	108.24	22	1.60				
18	1710	80.13	21	2.10			15	2424	94.48	21	1.70				
21	1552	70.04	20	2.20			18	2352	80.13	20	1.80				
22	1409	65.10	19	2.25			21	2133	70.04	20	1.85				
6.2	4185	231.67	27	1.00			GS99 GSF99 GSA99 GSAF99	4P	22	1937	65.10			19	1.90
7.3	3591	196.52	32	1.10	24	1766			59.13	18	2.00				
8.0	3300	180.95	32	1.20	27	1583			52.46	18	2.10				
8.9	2971	161.74	33	1.35	30	1447			47.61	17	2.15				
9.9	2718	145.60	33	1.45	35	1262			40.92	17	2.30				
11	2475	131.85	34	1.50	8.9	4095			161.74	28	0.95				
12	2214	116.92	34	1.60	9.9	3717			145.60	31	1.00				
14	2007	105.71	34	1.65	11	3384			131.85	32	1.10				
16	1719	89.60	34	1.75	12	3024			116.92	33	1.15				
18	1746	80.85	34	1.75	14	2745			105.71	33	1.25				
20	1548	71.43	35	1.85	16	2349	89.60	34	1.35						
24	1323	60.59	35	1.95	18	2061	78.26	34	1.45						
26	1215	55.79	35	2.00	20	1800	60.59	34	1.65						
12	2259	123.48	26	0.95	GS89 GSF89 GSA89 GSAF89	4P	22	1737	65.45	34	1.65	GS89 GSF89 GSA89 GSAF89	4P		
13	2034	110.40	27	1.00			24	1800	60.59	34	1.65				
15	1836	99.26	27	1.10			26	1665	55.79	34	1.70				
17	1611	86.15	27	1.20			29	1494	49.87	35	1.80				
19	1449	77.14	28	1.25			32	1350	44.89	35	1.85				
20	1494	70.43	27	1.05			35	1224	40.65	35	1.95				
22	1368	64.27	28	1.14			19	1980	77.14	27	0.90				
25	1215	57.00	28	1.30			23	1665	64.00	27	0.95				
30	1035	47.91	28	1.50			25	1665	57.00	27	0.95				
33	954	44.03	28	1.55			30	1404	47.91	28	1.10				
37	846	39.10	28	1.65			33	1296	44.03	28	1.20				
41	756	34.96	28	1.70			37	1152	39.10	28	1.35				
46	684	31.43	28	1.80			41	1035	34.96	27	1.50				
53	599	27.28	27	1.85			46	936	31.43	27	1.55				
60	572	23.92	25	1.95	53	819	27.28	26	1.60						
25	1044	56.92	10	0.90	60	693	23.92	24	1.70						
27	1125	53.87	8.8	0.95	67	621	21.39	23	1.75						
29	1035	49.38	8.9	1.05	75	555	19.23	23	1.80						
33	918	43.33	8.9	1.15	86	484	16.69	22	1.90						
35	864	41.07	8.9	1.20	96	433	14.95	22	2.00						
40	765	35.94	8.9	1.25	116	359	12.40	21	2.10						
44	689	32.38	8.8	1.30	134	310	10.78	20	2.25						
51	608	28.41	8.7	1.35	35	1188	41.07	7.2	0.90	GS79 GSF79 GSA79 GSAF79	4P				
57	540	25.07	8.6	1.40	40	1044	35.94	7.4	1.05						
60	504	23.87	7.3	1.30	44	945	32.38	7.5	1.10						
69	438	20.89	7.3	1.55	51	828	28.41	7.5	1.15						
77	392	18.82	7.2	1.60											
87	347	16.51	7.2	1.65											

**选型参数表
(恒功率)**
**Selection Table
(Constant Power)**

n_a [r/min]	M_a [N.m]	i	F_{Ra} [kN]	f_B	机型号 Type size	极数 Pole	n_a [r/min]	M_a [N.m]	i	F_{Ra} [kN]	f_B	机型号 Type size	极数 Pole		
5.5kW							7.5kW								
57	738	25.07	7.5	1.20			51	1134	28.41	5.9	0.90				
60	670	23.87	7.5	1.25			57	999	25.07	6.1	1.00				
69	582	20.89	7.5	1.30	GS79	4P	60	913	23.87	6.2	0.80	GS79	4P		
77	522	18.82	5.6	1.35	GSF79		69	794	20.89	6.3	0.80	GSF79			
87	462	16.51	5.9	1.40	GSA79		77	712	18.82	1.8	0.90	GSA79			
99	406	14.57	6.2	1.50	GSAF79		87	630	16.51	2.2	1.00	GSAF79			
111	362	12.92	6.2	1.55			99	553	14.57	3.1	1.15				
131	307	11.03	6.1	1.65			111	494	12.92	3.7	1.25				
								131	418	11.03	4.9	1.40			
119	348	12.07	2.8	0.90	GS69	4P	11kW								
137	302	10.50	2.8	1.00	GSF69 GSA69 GSAF69		9.3	7717	156.41	20	0.85				
7.5kW							11	6934	138.77	20	0.95				
6.3	7465	229.96	24	0.85			12	6374	125.93	19	1.00				
6.8	6993	212.81	24	0.90			13	5588	108.24	19	1.15				
7.5	6345	190.74	23	1.00			15	4782	94.48	18	1.25				
8.4	5800	172.20	23	1.10			18	4136	80.13	18	1.30				
9.2	5335	156.41	22	1.20			21	4209	70.04	17	1.30	GS109	4P		
10	4794	138.77	22	1.25			22	3821	65.10	17	1.40	GSF109			
11	4407	125.93	21	1.30			25	3483	59.13	17	1.45	GSA109			
13	3863	108.24	21	1.40	GS109		28	3123	52.46	16	1.50	GSAF109			
15	3306	94.48	20	1.50	GSF109		31	2855	47.61	16	1.55				
18	3207	80.13	19	1.55	GSA109	4P	36	2490	40.92	15	1.65				
21	2909	70.04	19	1.60	GSAF109		41	2174	35.72	15	1.70				
22	2641	65.10	18	1.65				48	1857	30.29	14	1.80			
24	2408	59.13	18	1.70				55	1647	26.48	14	1.90			
27	2159	52.46	17	1.80				65	1393	22.39	13	2.00			
30	1974	47.61	17	1.85				26	3303	55.79	32	1.00			
35	1721	40.92	16	1.95				29	2961	49.87	33	1.10			
40	1503	35.72	15	2.00				33	2673	44.89	33	1.20			
48	1284	30.29	15	2.20				36	2430	40.65	33	1.35			
14	3744	105.71	31	0.90				40	2160	36.05	32	1.45	GS99	4P	
16	3204	89.60	32	1.00			45	1953	32.60	32	1.50	GSF99			
18	2817	78.26	33	1.10	GS99		53	1641	27.63	28	1.60	GSA99			
20	2880	71.43	33	1.15	GSF99		64	1330	22.65	28	1.80	GSAF99			
22	2367	65.45	34	1.20	GSA99	4P	71	1198	20.48	27	1.85				
24	2457	60.59	34	1.35	GSAF99		84	1013	17.36	26	2.00				
26	2268	55.79	34	1.45				96	886	15.16	26	2.05			
29	2034	49.87	34	1.55				115	740	12.68	25	2.20			
32	1836	44.89	34	1.60				133	640	10.98	24	2.35			
35	1665	40.65	34	1.65				54	1620	27.28	23	0.95			
40	1485	36.05	34	1.75	GS99			60	1449	24.43	22	1.05			
44	1341	32.60	34	1.80	GSF99		4P	72	1206	20.27	22	1.25	GS89	4P	
52	1054	27.63	30	1.90	GSA99			76	1120	19.23	19	1.30	GSF89		
64	856	22.65	30	2.15	GSAF99			87	978	16.69	19	1.35	GSA89		
70	783	20.48	29	2.25				98	868	14.95	19	1.45	GSAF89		
83	660	17.36	29	2.40				118	721	12.40	18	1.55			
33	1773	44.03	26	0.90				135	630	10.78	18	1.60			
37	1575	39.10	26	1.00				15kW							
41	1413	34.96	26	1.10				13	7670	108.24	17	0.85			
46	1278	31.43	25	1.20	GS89	4P		15	6878	94.48	16	0.95			
53	1107	27.28	25	1.40	GSF89			18	5833	80.13	16	1.10			
60	913	23.92	22	1.45	GSA89		21	5739	70.04	16	1.15				
67	818	21.39	22	1.50	GSAF89		22	5210	65.10	16	1.20	GS109	4P		
75	731	19.23	22	1.60				25	4749	59.13	16	1.20		GSF109	
86	637	16.69	21	1.65				28	4259	52.46	15	1.30		GSA109	
96	571	14.95	21	1.75	GS89			31	3893	47.61	15	1.30		GSAF109	
116	472	12.40	20	1.85	GSF89			36	3395	40.92	15	1.40			
134	409	10.78	19	1.95	GSA89 GSAF89			41	2964	35.72	14	1.45			
								48	2532	30.29	14	1.55			
							55	2247	26.48	13	1.65				
							65	1899	22.39	13	1.75				

**选型参数表
(恒功率)**
**Selection Table
(Constant Power)**

n_a [r/min]	M_a [N.m]	i	F_{Ra} [kN]	f_B	机型号 Type size	极数 Pole	n_a [r/min]	M_a [N.m]	i	F_{Ra} [kN]	f_B	机型号 Type size	极数 Pole																																																																																																																																																																																																																																																											
15kW							22kW																																																																																																																																																																																																																																																																	
33	3600	44.89	30	0.90	GS99 GSF99 GSA99 GSAF99	4P	23	7590	65.10	14	0.85	GS109 GSF109 GSA109 GSAF109	4P																																																																																																																																																																																																																																																											
36	3267	40.65	30	1.00			40	2907	36.05	29	1.10			45	2579	32.60	29	1.15	53	2189	27.63	25	1.35	64	1813	22.65	25	1.55	71	1634	20.48	25	1.60	84	1381	17.36	24	1.70	96	1209	15.16	24	1.75	115	1009	12.68	24	1.90	133	872	10.98	23	2.00	98	1184	14.95	17	0.95	GS89 GSF89 GSA89 GSAF89	4P	53	3267	27.63	25	0.90	GS99 GSF99 GSA99 GSAF99	4P	118	983	12.40	17	1.15	135	860	10.78	17	1.30	72	2405	20.48	19	1.00	85	2037	17.36	21	1.15	97	1785	15.16	21	1.30	116	1493	12.68	21	1.50	134	1292	10.98	21	1.65	18.5kW							30kW							16	8425	94.48	15	0.80	GS109 GSF109 GSA109 GSAF109	4P	31	7734	47.61	12	0.85	GS109 GSF109 GSA109 GSAF109	4P	18	7145	80.13	15	0.90	21	6991	70.04	15	0.90	23	6383	65.10	15	1.00	25	5818	59.13	15	1.10	28	5217	52.46	14	1.15	31	4769	47.61	14	1.20	36	4159	40.92	14	1.25	41	3631	35.72	13	1.35	49	3101	30.29	13	1.40	56	2752	26.48	13	1.50	66	2327	22.39	12	1.55	41	3573	36.05	27	0.90	GS99 GSF99 GSA99 GSAF99	4P	36	6745	40.92	12	0.95	45	3231	32.60	27	0.95	53	2754	27.63	27	1.05	65	2246	22.65	27	1.20	72	2027	20.48	23	1.20	85	1717	17.36	23	1.40	97	1505	15.16	23	1.60	116	1258	12.68	22	1.70	134	1089	10.98	22	1.80																											
40	2907	36.05	29	1.10			45	2579	32.60	29	1.15			53	2189	27.63	25	1.35	64	1813	22.65	25	1.55	71	1634	20.48	25	1.60	84	1381	17.36	24	1.70	96	1209	15.16	24	1.75	115	1009	12.68	24	1.90	133	872	10.98	23	2.00	98	1184	14.95	17	0.95	GS89 GSF89 GSA89 GSAF89	4P	53	3267	27.63			25	0.90	GS99 GSF99 GSA99 GSAF99	4P	118			983	12.40	17	1.15	135	860	10.78	17	1.30	72	2405	20.48	19	1.00	85	2037	17.36	21	1.15	97	1785	15.16	21	1.30	116	1493	12.68	21	1.50	134	1292	10.98	21	1.65	18.5kW							30kW							16	8425	94.48	15	0.80	GS109 GSF109 GSA109 GSAF109			4P	31	7734	47.61	12			0.85	GS109 GSF109 GSA109 GSAF109	4P	18	7145	80.13	15	0.90	21	6991	70.04	15	0.90	23	6383	65.10	15	1.00	25	5818	59.13	15	1.10	28	5217	52.46	14	1.15	31	4769	47.61	14	1.20	36	4159	40.92	14	1.25	41	3631	35.72	13	1.35	49	3101	30.29	13	1.40	56	2752	26.48	13	1.50	66	2327	22.39	12	1.55	41	3573			36.05	27	0.90	GS99 GSF99 GSA99 GSAF99	4P	36	6745	40.92	12	0.95	45	3231	32.60	27	0.95	53	2754	27.63	27	1.05	65	2246	22.65	27	1.20	72	2027	20.48	23	1.20	85	1717	17.36	23	1.40	97	1505	15.16	23	1.60	116	1258	12.68	22	1.70	134	1089	10.98	22	1.80																						
45	2579	32.60	29	1.15			53	2189	27.63	25	1.35			64	1813	22.65	25	1.55	71	1634	20.48	25	1.60	84	1381	17.36	24	1.70	96	1209	15.16	24	1.75	115	1009	12.68	24	1.90	133	872	10.98	23	2.00	98	1184	14.95	17	0.95	GS89 GSF89 GSA89 GSAF89	4P	53	3267	27.63			25	0.90	GS99 GSF99 GSA99 GSAF99			4P	118			983			12.40	17	1.15	135	860	10.78	17	1.30	72	2405	20.48	19	1.00	85	2037	17.36	21	1.15	97	1785	15.16	21	1.30	116	1493	12.68	21	1.50	134	1292	10.98	21	1.65	18.5kW							30kW							16	8425	94.48	15	0.80	GS109 GSF109 GSA109 GSAF109					4P	31	7734	47.61			12			0.85	GS109 GSF109 GSA109 GSAF109	4P	18	7145	80.13	15	0.90	21	6991	70.04	15	0.90	23	6383	65.10	15	1.00	25	5818	59.13	15	1.10	28	5217	52.46	14	1.15	31	4769	47.61	14	1.20	36	4159	40.92	14	1.25	41	3631	35.72	13	1.35	49	3101	30.29	13	1.40	56	2752	26.48	13	1.50	66	2327	22.39	12			1.55	41	3573			36.05	27	0.90	GS99 GSF99 GSA99 GSAF99	4P	36	6745	40.92	12	0.95	45	3231	32.60	27	0.95	53	2754	27.63	27	1.05	65	2246	22.65	27	1.20	72	2027	20.48	23	1.20	85	1717	17.36	23	1.40	97	1505	15.16	23	1.60	116	1258	12.68	22	1.70	134	1089	10.98	22	1.80																	
53	2189	27.63	25	1.35			64	1813	22.65	25	1.55			71	1634	20.48	25	1.60	84	1381	17.36	24	1.70	96	1209	15.16	24	1.75	115	1009	12.68	24	1.90	133	872	10.98	23	2.00	98	1184	14.95	17	0.95	GS89 GSF89 GSA89 GSAF89	4P	53	3267	27.63			25	0.90	GS99 GSF99 GSA99 GSAF99			4P	118					983			12.40			17	1.15	135	860	10.78	17	1.30	72	2405	20.48	19	1.00	85	2037	17.36	21	1.15	97	1785	15.16	21	1.30	116	1493	12.68	21	1.50	134	1292	10.98	21	1.65	18.5kW							30kW							16	8425	94.48	15	0.80	GS109 GSF109 GSA109 GSAF109							4P	31	7734			47.61			12			0.85	GS109 GSF109 GSA109 GSAF109	4P	18	7145	80.13	15	0.90	21	6991	70.04	15	0.90	23	6383	65.10	15	1.00	25	5818	59.13	15	1.10	28	5217	52.46	14	1.15	31	4769	47.61	14	1.20	36	4159	40.92	14	1.25	41	3631	35.72	13	1.35	49	3101	30.29	13	1.40	56	2752	26.48	13	1.50	66			2327	22.39	12			1.55	41	3573			36.05	27	0.90	GS99 GSF99 GSA99 GSAF99	4P	36	6745	40.92	12	0.95	45	3231	32.60	27	0.95	53	2754	27.63	27	1.05	65	2246	22.65	27	1.20	72	2027	20.48	23	1.20	85	1717	17.36	23	1.40	97	1505	15.16	23	1.60	116	1258	12.68	22	1.70	134	1089	10.98	22	1.80												
64	1813	22.65	25	1.55			71	1634	20.48	25	1.60			84	1381	17.36	24	1.70	96	1209	15.16	24	1.75	115	1009	12.68	24	1.90	133	872	10.98	23	2.00	98	1184	14.95	17	0.95	GS89 GSF89 GSA89 GSAF89	4P	53	3267	27.63			25	0.90	GS99 GSF99 GSA99 GSAF99			4P	118					983					12.40			17			1.15	135	860	10.78	17	1.30	72	2405	20.48	19	1.00	85	2037	17.36	21	1.15	97	1785	15.16	21	1.30	116	1493	12.68	21	1.50	134	1292	10.98	21	1.65	18.5kW							30kW							16	8425	94.48	15	0.80	GS109 GSF109 GSA109 GSAF109									4P	31			7734			47.61			12			0.85	GS109 GSF109 GSA109 GSAF109	4P	18	7145	80.13	15	0.90	21	6991	70.04	15	0.90	23	6383	65.10	15	1.00	25	5818	59.13	15	1.10	28	5217	52.46	14	1.15	31	4769	47.61	14	1.20	36	4159	40.92	14	1.25	41	3631	35.72	13	1.35	49	3101	30.29	13	1.40	56	2752	26.48			13	1.50	66			2327	22.39	12			1.55	41	3573			36.05	27	0.90	GS99 GSF99 GSA99 GSAF99	4P	36	6745	40.92	12	0.95	45	3231	32.60	27	0.95	53	2754	27.63	27	1.05	65	2246	22.65	27	1.20	72	2027	20.48	23	1.20	85	1717	17.36	23	1.40	97	1505	15.16	23	1.60	116	1258	12.68	22	1.70	134	1089	10.98	22	1.80							
71	1634	20.48	25	1.60			84	1381	17.36	24	1.70			96	1209	15.16	24	1.75	115	1009	12.68	24	1.90	133	872	10.98	23	2.00	98	1184	14.95	17	0.95	GS89 GSF89 GSA89 GSAF89	4P	53	3267	27.63			25	0.90	GS99 GSF99 GSA99 GSAF99			4P	118					983					12.40		17	1.15		135			860			10.78	17	1.30	72	2405	20.48	19	1.00	85	2037	17.36	21	1.15	97	1785	15.16	21	1.30	116	1493	12.68	21	1.50	134	1292	10.98	21	1.65	18.5kW							30kW							16	8425	94.48	15	0.80	GS109 GSF109 GSA109 GSAF109	4P	31											7734			47.61			12			0.85			GS109 GSF109 GSA109 GSAF109			4P	18	7145	80.13	15	0.90	21	6991	70.04	15	0.90	23	6383	65.10	15	1.00	25	5818	59.13	15	1.10	28	5217	52.46	14	1.15	31	4769	47.61	14	1.20	36	4159	40.92	14	1.25	41	3631	35.72	13	1.35	49	3101	30.29	13	1.40	56	2752			26.48	13	1.50			66	2327	22.39			12	1.55	41			3573	36.05	27			0.90	GS99 GSF99 GSA99 GSAF99	4P	36	6745	40.92	12	0.95	45	3231	32.60	27	0.95	53	2754	27.63	27	1.05	65	2246	22.65	27	1.20	72	2027	20.48	23	1.20	85	1717	17.36	23	1.40	97	1505	15.16	23	1.60	116	1258	12.68	22	1.70	134	1089	10.98	22	1.80				
84	1381	17.36	24	1.70			96	1209	15.16	24	1.75			115	1009	12.68	24	1.90	133	872	10.98	23	2.00	98	1184	14.95	17	0.95	GS89 GSF89 GSA89 GSAF89	4P	53	3267	27.63			25	0.90	GS99 GSF99 GSA99 GSAF99			4P	118					983					12.40		17	1.15		135		860	10.78		17			1.30			72	2405	20.48	19	1.00	85	2037	17.36	21	1.15	97	1785	15.16	21	1.30	116	1493	12.68	21	1.50	134	1292	10.98	21	1.65	18.5kW							30kW							16	8425	94.48	15	0.80	GS109 GSF109 GSA109 GSAF109	4P	31			7734											47.61			12			0.85			GS109 GSF109 GSA109 GSAF109							4P	18	7145	80.13	15	0.90	21	6991	70.04	15	0.90	23	6383	65.10	15	1.00	25	5818	59.13	15	1.10	28	5217	52.46	14	1.15	31	4769	47.61	14	1.20	36	4159	40.92	14	1.25	41	3631	35.72	13	1.35	49	3101	30.29	13	1.40	56			2752	26.48	13			1.50	66	2327			22.39	12	1.55			41	3573	36.05			27			0.90	GS99 GSF99 GSA99 GSAF99	4P	36	6745	40.92	12	0.95	45	3231	32.60	27	0.95	53	2754	27.63	27	1.05	65	2246	22.65	27	1.20	72	2027	20.48	23	1.20	85	1717	17.36	23	1.40	97	1505	15.16	23	1.60	116	1258	12.68	22	1.70	134	1089	10.98	22	1.80	
96	1209	15.16	24	1.75			115	1009	12.68	24	1.90			133	872	10.98	23	2.00	98	1184	14.95	17	0.95	GS89 GSF89 GSA89 GSAF89	4P	53	3267	27.63			25	0.90	GS99 GSF99 GSA99 GSAF99			4P	118					983					12.40		17	1.15		135		860	10.78		17		1.30	72		2405			20.48			19	1.00	85	2037	17.36	21	1.15	97	1785	15.16	21	1.30	116	1493	12.68	21	1.50	134	1292	10.98	21	1.65	18.5kW							30kW							16	8425	94.48	15	0.80	GS109 GSF109 GSA109 GSAF109	4P	31			7734			47.61											12			0.85			GS109 GSF109 GSA109 GSAF109											4P	18	7145	80.13	15	0.90	21	6991	70.04	15	0.90	23	6383	65.10	15	1.00	25	5818	59.13	15	1.10	28	5217	52.46	14	1.15	31	4769	47.61	14	1.20	36	4159	40.92	14	1.25	41	3631	35.72	13	1.35	49	3101	30.29	13	1.40			56	2752	26.48			13	1.50	66			2327	22.39	12			1.55	41	3573			36.05			27			0.90	GS99 GSF99 GSA99 GSAF99	4P	36	6745	40.92	12	0.95	45	3231	32.60	27	0.95	53	2754	27.63	27	1.05	65	2246	22.65	27	1.20	72	2027	20.48	23	1.20	85	1717	17.36	23	1.40	97	1505	15.16	23	1.60	116	1258	12.68	22	1.70	134	1089	10.98
115	1009	12.68	24	1.90			133	872	10.98	23	2.00			98	1184	14.95	17	0.95	GS89 GSF89 GSA89 GSAF89	4P	53	3267	27.63			25	0.90	GS99 GSF99 GSA99 GSAF99			4P	118					983					12.40		17	1.15		135		860	10.78		17		1.30	72		2405		20.48	19		1.00			85			2037	17.36	21	1.15	97	1785	15.16	21	1.30	116	1493	12.68	21	1.50	134	1292	10.98	21	1.65	18.5kW							30kW							16	8425	94.48	15	0.80	GS109 GSF109 GSA109 GSAF109	4P	31			7734			47.61			12											0.85			GS109 GSF109 GSA109 GSAF109															4P	18	7145	80.13	15	0.90	21	6991	70.04	15	0.90	23	6383	65.10	15	1.00	25	5818	59.13	15	1.10	28	5217	52.46	14	1.15	31	4769	47.61	14	1.20	36	4159	40.92	14	1.25	41	3631	35.72	13	1.35	49	3101	30.29	13			1.40	56	2752			26.48	13	1.50			66	2327	22.39			12	1.55	41			3573			36.05			27			0.90	GS99 GSF99 GSA99 GSAF99	4P	36	6745	40.92	12	0.95	45	3231	32.60	27	0.95	53	2754	27.63	27	1.05	65	2246	22.65	27	1.20	72	2027	20.48	23	1.20	85	1717	17.36	23	1.40	97	1505	15.16	23	1.60	116	1258	12.68	22	1.70
133	872	10.98	23	2.00	98	1184	14.95	17	0.95	GS89 GSF89 GSA89 GSAF89	4P	53	3267	27.63	25	0.90	GS99 GSF99 GSA99 GSAF99	4P			118	983	12.40			17	1.15					135					860		10.78	17		1.30		72	2405		20.48		19	1.00		85		2037	17.36		21		1.15	97		1785			15.16			21	1.30	116	1493	12.68	21	1.50	134	1292	10.98	21	1.65	18.5kW							30kW							16	8425	94.48	15	0.80	GS109 GSF109 GSA109 GSAF109	4P	31	7734	47.61	12	0.85			GS109 GSF109 GSA109 GSAF109			4P			18			7145											80.13																			15	0.90	21	6991	70.04	15	0.90	23	6383	65.10	15	1.00	25	5818	59.13	15	1.10	28	5217	52.46	14	1.15	31	4769	47.61	14	1.20	36	4159	40.92	14	1.25	41	3631	35.72	13	1.35	49	3101	30.29	13	1.40	56	2752			26.48	13	1.50			66	2327	22.39			12	1.55	41			3573	36.05	27			0.90			GS99 GSF99 GSA99 GSAF99			4P			36			6745	40.92	12	0.95	45	3231	32.60	27	0.95	53	2754	27.63	27	1.05	65	2246	22.65	27	1.20	72	2027	20.48	23	1.20	85	1717	17.36	23	1.40	97	1505	15.16	23	1.60	116	1258	12.68	22	1.70	134
98	1184	14.95	17	0.95	GS89 GSF89 GSA89 GSAF89	4P	53	3267	27.63			25	0.90	GS99 GSF99 GSA99 GSAF99	4P																																																																																																																																																																																																																																																									
118	983	12.40	17	1.15			135	860	10.78			17	1.30			72					2405	20.48	19			1.00	85		2037	17.36		21		1.15	97		1785		15.16	21		1.30		116	1493		12.68		21	1.50		134		1292	10.98		21		1.65	18.5kW							30kW							16	8425	94.48	15	0.80	GS109 GSF109 GSA109 GSAF109	4P	31	7734	47.61	12	0.85	GS109 GSF109 GSA109 GSAF109	4P	18	7145	80.13	15	0.90	21	6991	70.04	15	0.90	23			6383	65.10	15	1.00	25									5818			59.13				15	1.10	28	5217				52.46	14	1.15		31	4769														47.61	14	1.20	36	4159	40.92	14	1.25	41	3631	35.72	13	1.35	49	3101	30.29	13	1.40	56	2752	26.48	13	1.50	66	2327	22.39	12	1.55	41	3573	36.05	27	0.90	GS99 GSF99 GSA99 GSAF99	4P	36	6745	40.92	12	0.95	45	3231	32.60	27	0.95	53	2754	27.63	27	1.05	65	2246	22.65	27			1.20	72	2027			20.48	23	1.20			85									1717			17.36	23	1.40	97	1505	15.16	23	1.60	116	1258	12.68	22	1.70	134	1089	10.98	22	1.80																						
135	860	10.78	17	1.30			72	2405	20.48			19	1.00			85					2037	17.36	21	1.15	97	1785	15.16		21	1.30		116		1493	12.68		21		1.50	134		1292		10.98	21		1.65		18.5kW								30kW							16	8425	94.48	15	0.80	GS109 GSF109 GSA109 GSAF109	4P	31	7734	47.61	12	0.85	GS109 GSF109 GSA109 GSAF109	4P	18			7145	80.13	15	0.90	21			6991	70.04	15	0.90	23	6383	65.10	15	1.00	25	5818			59.13	15	1.10	28	5217									52.46			14			1.15	31	4769	47.61	14	1.20			36	4159	40.92		14	1.25		41	3631											35.72	13	1.35	49	3101	30.29	13	1.40	56	2752	26.48	13	1.50	66	2327	22.39	12	1.55	41	3573	36.05	27	0.90	GS99 GSF99 GSA99 GSAF99	4P	36	6745	40.92	12	0.95	45	3231	32.60			27	0.95	53	2754	27.63	27	1.05	65	2246	22.65	27	1.20	72	2027	20.48	23	1.20	85	1717	17.36	23	1.40	97	1505			15.16	23	1.60			116									1258			12.68	22	1.70	134	1089	10.98	22	1.80																																
72	2405	20.48	19	1.00			85	2037	17.36			21	1.15			97			1785	15.16	21	1.30	116	1493	12.68	21	1.50		134	1292		10.98		21	1.65		18.5kW							30kW								16	8425	94.48	15	0.80	GS109 GSF109 GSA109 GSAF109	4P	31	7734	47.61	12	0.85	GS109 GSF109 GSA109 GSAF109	4P	18	7145	80.13			15	0.90	21	6991	70.04			15			0.90	23	6383	65.10	15			1.00	25	5818	59.13	15	1.10	28	5217	52.46	14	1.15			31	4769	47.61	14	1.20									36			4159		40.92	14	1.25	41	3631	35.72	13	1.35		49	3101	30.29		13	1.40		56	2752		26.48	13								1.50	66	2327	22.39	12	1.55	41	3573	36.05	27	0.90	GS99 GSF99 GSA99 GSAF99	4P	36	6745	40.92	12	0.95	45	3231	32.60	27	0.95			53	2754	27.63	27	1.05	65	2246	22.65			27	1.20	72	2027	20.48	23	1.20	85	1717	17.36	23	1.40	97	1505	15.16	23	1.60	116	1258	12.68	22	1.70	134	1089	10.98	22	1.80																																																								
85	2037	17.36	21	1.15			97	1785	15.16	21	1.30	116	1493			12.68			21	1.50	134	1292	10.98	21	1.65	18.5kW								30kW								16		8425	94.48		15	0.80	GS109 GSF109 GSA109 GSAF109	4P	31	7734	47.61	12	0.85	GS109 GSF109 GSA109 GSAF109			4P	18	7145	80.13	15			0.90	21	6991			70.04	15	0.90	23	6383			65.10			15	1.00	25	5818	59.13			15	1.10	28	5217	52.46	14	1.15	31	4769	47.61	14			1.20	36	4159	40.92	14									1.25			41	3631	35.72	13	1.35	49	3101	30.29	13	1.40	56	2752	26.48	13		1.50	66		2327	22.39		12	1.55		41	3573					36.05	27	0.90	GS99 GSF99 GSA99 GSAF99	4P	36	6745	40.92	12	0.95	45			3231	32.60	27	0.95	53	2754	27.63	27	1.05	65			2246	22.65	27	1.20	72	2027	20.48	23			1.20	85	1717	17.36	23	1.40	97	1505	15.16	23	1.60	116	1258	12.68	22	1.70	134	1089	10.98	22	1.80																																																														
97	1785	15.16	21	1.30	116	1493	12.68	21	1.50	134	1292	10.98	21			1.65			18.5kW							30kW								16	8425		94.48		15	0.80		GS109 GSF109 GSA109 GSAF109	4P	31	7734	47.61	12	0.85			GS109 GSF109 GSA109 GSAF109	4P	18	7145	80.13					15	0.90	21	6991			70.04	15	0.90			23	6383	65.10	15	1.00			25			5818	59.13	15	1.10	28			5217	52.46	14	1.15	31	4769	47.61	14	1.20	36	4159			40.92	14	1.25	41	3631									35.72	13	1.35	49	3101	30.29	13	1.40	56	2752	26.48	13	1.50	66	2327	22.39	12		1.55	41		3573	36.05		27	0.90	GS99 GSF99 GSA99 GSAF99	4P	36	6745				40.92	12	0.95			45	3231	32.60	27	0.95	53			2754	27.63	27	1.05	65	2246	22.65	27	1.20	72			2027	20.48	23	1.20	85	1717	17.36	23			1.40	97	1505	15.16	23	1.60	116	1258	12.68	22	1.70	134	1089	10.98	22	1.80																																																																			
116	1493	12.68	21	1.50	134	1292	10.98	21	1.65	18.5kW									30kW							16	8425		94.48	15		0.80		GS109 GSF109 GSA109 GSAF109	4P		31	7734	47.61	12	0.85			GS109 GSF109 GSA109 GSAF109	4P	18	7145	80.13					15	0.90	21					6991	70.04	15	0.90			23	6383	65.10			15	1.00	25	5818	59.13			15			1.10	28	5217	52.46	14			1.15	31	4769	47.61	14	1.20	36	4159	40.92	14	1.25			41	3631	35.72	13	1.35							49	3101	30.29	13	1.40	56	2752	26.48	13	1.50	66	2327	22.39	12	1.55	41	3573	36.05	27		0.90	GS99 GSF99 GSA99 GSAF99		4P	36	6745	40.92	12			0.95	45	3231			32.60	27	0.95			53	2754	27.63	27	1.05	65			2246	22.65	27	1.20	72	2027	20.48	23	1.20	85			1717	17.36	23	1.40	97	1505	15.16	23			1.60	116	1258	12.68	22	1.70	134	1089	10.98	22	1.80																																																																								
134	1292	10.98	21	1.65	18.5kW							30kW							16	8425	94.48	15	0.80	GS109 GSF109 GSA109 GSAF109	4P	31	7734		47.61	12		0.85	GS109 GSF109 GSA109 GSAF109			4P	18	7145	80.13	15	0.90					21	6991	70.04					15	0.90	23					6383	65.10	15	1.00			25	5818	59.13			15	1.10	28	5217	52.46			14			1.15	31	4769	47.61	14			1.20	36	4159	40.92	14	1.25	41	3631	35.72	13	1.35			49	3101	30.29	13	1.40				56	2752		26.48	13	1.50	66	2327	22.39	12	1.55	41	3573	36.05	27	0.90	GS99 GSF99 GSA99 GSAF99	4P	36	6745	40.92	12		0.95		45		3231	32.60	27	0.95			53	2754	27.63	27		1.05	65	2246			22.65	27	1.20	72	2027	20.48			23	1.20	85	1717	17.36	23	1.40	97	1505	15.16			23	1.60	116	1258	12.68	22	1.70	134			1089	10.98	22	1.80																																																																															
18.5kW							30kW																																																																																																																																																																																																																																																																	
16	8425	94.48	15	0.80	GS109 GSF109 GSA109 GSAF109	4P	31	7734	47.61	12	0.85	GS109 GSF109 GSA109 GSAF109	4P																																																																																																																																																																																																																																																											
18	7145	80.13	15	0.90			21	6991	70.04	15	0.90			23	6383	65.10	15	1.00	25	5818	59.13	15	1.10			28	5217	52.46	14	1.15	31	4769					47.61	14	1.20	36	4159					40.92	14	1.25					41	3631	35.72					13	1.35	49	3101			30.29	13	1.40			56	2752	26.48	13	1.50			66			2327	22.39	12	1.55	41			3573	36.05	27	0.90	GS99 GSF99 GSA99 GSAF99	4P	36	6745	40.92	12	0.95	45	3231	32.60	27	0.95	53	2754	27.63	27	1.05	65	2246	22.65	27	1.20	72	2027	20.48	23	1.20	85	1717	17.36	23	1.40	97			1505	15.16	23	1.60	116	1258		12.68		22	1.70	134	1089			10.98	22	1.80																																																																																																																								
21	6991	70.04	15	0.90			23	6383	65.10	15	1.00			25	5818	59.13	15	1.10	28	5217	52.46	14	1.15			31	4769	47.61	14	1.20	36	4159					40.92	14	1.25	41	3631					35.72	13	1.35					49	3101	30.29					13	1.40	56	2752			26.48	13	1.50			66	2327	22.39	12	1.55			41	3573	36.05	27	0.90	GS99 GSF99 GSA99 GSAF99	4P	36	6745	40.92	12	0.95	45	3231			32.60	27	0.95	53	2754	27.63	27	1.05	65	2246	22.65	27	1.20	72	2027	20.48	23	1.20	85	1717	17.36	23	1.40	97	1505	15.16	23	1.60	116	1258	12.68			22	1.70	134	1089	10.98	22		1.80																																																																																																																																		
23	6383	65.10	15	1.00			25	5818	59.13	15	1.10			28	5217	52.46	14	1.15	31	4769	47.61	14	1.20			36	4159	40.92	14	1.25	41	3631					35.72	13	1.35	49	3101					30.29	13	1.40					56	2752	26.48					13	1.50	66	2327			22.39	12	1.55	41	3573	36.05	27	0.90	GS99 GSF99 GSA99 GSAF99	4P	36	6745	40.92	12	0.95	45	3231			32.60	27	0.95	53	2754	27.63	27			1.05	65	2246	22.65	27	1.20	72	2027	20.48	23	1.20	85	1717	17.36	23	1.40	97	1505	15.16	23	1.60	116	1258	12.68	22	1.70	134	1089	10.98	22	1.80																																																																																																																																												
25	5818	59.13	15	1.10			28	5217	52.46	14	1.15			31	4769	47.61	14	1.20	36	4159	40.92	14	1.25			41	3631	35.72	13	1.35	49	3101					30.29	13	1.40	56	2752					26.48	13	1.50					66	2327	22.39		12	1.55		41	3573	36.05	27	0.90	GS99 GSF99 GSA99 GSAF99	4P	36	6745	40.92	12	0.95	45	3231			32.60	27	0.95	53	2754	27.63	27			1.05	65	2246	22.65	27	1.20	72			2027	20.48	23	1.20	85	1717	17.36	23	1.40	97	1505	15.16	23	1.60	116	1258	12.68	22	1.70	134	1089	10.98	22	1.80																																																																																																																																																			
28	5217	52.46	14	1.15			31	4769	47.61	14	1.20			36	4159	40.92	14	1.25	41	3631	35.72	13	1.35			49	3101	30.29	13	1.40	56	2752					26.48	13	1.50	66	2327					22.39	12	1.55	41	3573			36.05	27	0.90	GS99 GSF99 GSA99 GSAF99	4P	36	6745	40.92	12	0.95	45	3231			32.60	27	0.95	53	2754	27.63	27			1.05	65	2246	22.65	27	1.20	72			2027	20.48	23	1.20	85	1717	17.36			23	1.40	97	1505	15.16	23	1.60	116	1258	12.68	22	1.70	134	1089	10.98	22	1.80																																																																																																																																																										
31	4769	47.61	14	1.20			36	4159	40.92	14	1.25			41	3631	35.72	13	1.35	49	3101	30.29	13	1.40			56	2752	26.48	13	1.50	66	2327					22.39	12	1.55	41	3573	36.05	27			0.90	GS99 GSF99 GSA99 GSAF99	4P	36	6745	40.92	12	0.95	45	3231			32.60	27	0.95	53	2754	27.63	27			1.05	65	2246	22.65	27	1.20	72			2027	20.48	23	1.20	85	1717	17.36			23	1.40	97	1505	15.16	23	1.60			116	1258	12.68	22	1.70	134	1089	10.98	22	1.80																																																																																																																																																																	
36	4159	40.92	14	1.25			41	3631	35.72	13	1.35			49	3101	30.29	13	1.40	56	2752	26.48	13	1.50			66	2327	22.39	12	1.55	41	3573		36.05	27		0.90	GS99 GSF99 GSA99 GSAF99	4P	36	6745	40.92	12	0.95	45	3231			32.60	27	0.95	53	2754	27.63	27			1.05	65	2246	22.65	27	1.20	72			2027	20.48	23	1.20	85	1717	17.36			23	1.40	97	1505	15.16	23	1.60			116	1258	12.68	22	1.70	134	1089			10.98	22	1.80																																																																																																																																																																								
41	3631	35.72	13	1.35			49	3101	30.29	13	1.40			56	2752	26.48	13	1.50	66	2327	22.39	12	1.55	41	3573	36.05	27	0.90	GS99 GSF99 GSA99 GSAF99	4P	36	6745	40.92	12	0.95	45	3231			32.60	27	0.95	53	2754	27.63	27			1.05	65	2246	22.65	27	1.20	72			2027	20.48	23	1.20	85	1717	17.36			23	1.40	97	1505	15.16	23	1.60			116	1258	12.68	22	1.70	134	1089			10.98	22	1.80																																																																																																																																																																																	
49	3101	30.29	13	1.40			56	2752	26.48	13	1.50			66	2327	22.39	12	1.55	41	3573	36.05	27	0.90	GS99 GSF99 GSA99 GSAF99	4P	36	6745	40.92			12	0.95	45	3231	32.60	27	0.95			53	2754	27.63	27	1.05	65	2246			22.65	27	1.20	72	2027	20.48	23			1.20	85	1717	17.36	23	1.40	97			1505	15.16	23	1.60	116	1258	12.68			22	1.70	134	1089	10.98	22	1.80																																																																																																																																																																																						
56	2752	26.48	13	1.50	66	2327	22.39	12	1.55	41	3573	36.05	27	0.90	GS99 GSF99 GSA99 GSAF99	4P	36	6745	40.92	12	0.95	45	3231			32.60	27	0.95			53	2754	27.63	27	1.05	65	2246			22.65	27	1.20	72	2027	20.48	23			1.20	85	1717	17.36	23	1.40	97			1505	15.16	23	1.60	116	1258	12.68			22	1.70	134	1089	10.98	22	1.80																																																																																																																																																																																															
66	2327	22.39	12	1.55	41	3573	36.05	27	0.90	GS99 GSF99 GSA99 GSAF99	4P	36	6745	40.92			12	0.95	45	3231	32.60	27	0.95			53	2754	27.63			27	1.05	65	2246	22.65	27	1.20			72	2027	20.48	23	1.20	85	1717			17.36	23	1.40	97	1505	15.16	23			1.60	116	1258	12.68	22	1.70	134			1089	10.98	22	1.80																																																																																																																																																																																																		
41	3573	36.05	27	0.90	GS99 GSF99 GSA99 GSAF99	4P	36	6745	40.92			12	0.95	45			3231	32.60	27	0.95	53	2754	27.63			27	1.05	65			2246	22.65	27	1.20	72	2027	20.48			23	1.20	85	1717	17.36	23	1.40			97	1505	15.16	23	1.60	116	1258			12.68	22	1.70	134	1089	10.98	22			1.80																																																																																																																																																																																																					
45	3231	32.60	27	0.95			53	2754	27.63			27	1.05	65			2246	22.65	27	1.20	72	2027	20.48			23	1.20	85			1717	17.36	23	1.40	97	1505	15.16			23	1.60	116	1258	12.68	22	1.70			134	1089	10.98	22	1.80																																																																																																																																																																																																																			
53	2754	27.63	27	1.05			65	2246	22.65			27	1.20	72			2027	20.48	23	1.20	85	1717	17.36			23	1.40	97			1505	15.16	23	1.60	116	1258	12.68			22	1.70	134	1089	10.98	22	1.80																																																																																																																																																																																																																										
65	2246	22.65	27	1.20			72	2027	20.48			23	1.20	85			1717	17.36	23	1.40	97	1505	15.16			23	1.60	116			1258	12.68	22	1.70	134	1089	10.98			22	1.80																																																																																																																																																																																																																															
72	2027	20.48	23	1.20			85	1717	17.36			23	1.40	97			1505	15.16	23	1.60	116	1258	12.68			22	1.70	134			1089	10.98	22	1.80																																																																																																																																																																																																																																						
85	1717	17.36	23	1.40			97	1505	15.16			23	1.60	116			1258	12.68	22	1.70	134	1089	10.98			22	1.80																																																																																																																																																																																																																																													
97	1505	15.16	23	1.60			116	1258	12.68			22	1.70	134			1089	10.98	22	1.80																																																																																																																																																																																																																																																				
116	1258	12.68	22	1.70			134	1089	10.98			22	1.80																																																																																																																																																																																																																																																											
134	1089	10.98	22	1.80																																																																																																																																																																																																																																																																				

选型参数表
(恒转矩)
Selection Table
(Constant Torque)

M_{amax} [N.m]	n_a [r/min]	i	F_{Ra} [kN]	机型号 Type size	P [kW]/4P	M_{amax} [N.m]	n_a [r/min]	i	F_{Ra} [kN]	机型号 Type size	P [kW]/4P			
87	0.13	10037	2.8	GS39R19 GSF39R19 GSA39R19 GSAF39R19	0.12	170	1.4	965	5.0	GS49R19 GSF49R19 GSA49R19 GSAF49R19	0.12			
	0.15	8654	2.8				1.5	865	5.0					
	0.16	8066	2.8				1.7	750	5.0					
	0.19	7051	2.8				2.0	655	5.0					
	0.22	6079	2.8				2.3	574	5.0					
	0.24	5431	2.8				2.6	506	5.0					
	0.28	4747	2.8				3.0	438	5.0					
	0.32	4155	2.8				3.4	388	4.9	GS49R19 GSF49R19 GSA49R19 GSAF49R19	0.18			
	0.36	3632	2.8				3.9	336	4.9					
	0.46	2866	2.8				4.5	294	4.9					
	0.53	2471	2.8				5.2	257	4.9	GS49R19 GSF49R19 GSA49R19 GSAF49R19	0.25			
	0.61	2160	2.8				5.8	229	4.9					
	0.69	1887	2.8				6.7	200	4.9					
	0.79	1665	2.8				7.1	187	4.9					
	0.9	1456	2.8				8.1	165	4.9					
	1	1271	2.8				9.0	148	4.9	GS49R19 GSF49R19 GSA49R19 GSAF49R19	0.37			
	1.2	1121	2.8				10	131	4.9					
	1.3	994	2.8				GS39R19 GSF39R19 GSA39R19 GSAF39R19	0.12	300	0.10	12909	6.7	GS59R19 GSF59R19 GSA59R19 GSAF59R19	0.12
	1.5	869	2.8							0.12	11189	6.7		
	1.7	774	2.8							0.13	10374	6.7		
2	666	2.8	0.15	8992	6.7									
2.2	596	2.8	0.17	7860	6.7									
2.5	521	2.8	0.19	6887	6.7									
2.9	456	2.8	0.22	6055	6.7									
3.3	398	2.8	0.25	5292	6.7									
3.7	351	2.8	0.28	4637	6.7									
4.3	303	2.8	0.32	4092	6.7									
4.9	265	2.8	0.36	3628	6.7									
5.6	232	2.8	0.42	3131	6.7	GS59R19 GSF59R19 GSA59R19 GSAF59R19				0.12				
6.5	202	2.8	0.48	2714	6.7									
7.3	179	2.8	0.54	2412	6.7									
8.3	158	2.8	0.61	2131	6.7									
9.1	144	2.8	0.70	1863	6.7									
11	118	2.8	0.79	1663	6.7	GS59R19 GSF59R19 GSA59R19 GSAF59R19	0.12							
170	12	110	2.8	0.91	1435			6.7						
	0.1	12909	5	1.0	1254			6.7						
	0.12	11189	5	1.2	1083	6.7								
	0.13	10374	5	1.4	965	6.7	GS59R19 GSF59R19 GSA59R19 GSAF59R19	0.12						
	0.15	8992	5	1.5	865	6.7								
	0.17	7860	5	1.7	750	6.7								
	0.19	6887	5	2.0	655	6.7	GS59R19 GSF59R19 GSA59R19 GSAF59R19	0.18						
	0.22	6055	5	2.3	574	6.7								
0.25	5292	5	2.6	506	6.7									
0.28	4637	5	3.0	438	6.7									
0.32	4092	5	3.4	388	6.7									
0.37	3582	5	4.0	336	6.7	GS59R19 GSF59R19 GSA59R19 GSAF59R19	0.25							
0.42	3131	5	4.5	294	6.7									
0.48	2714	5	4.9	269	6.7									
0.54	2412	5	5.8	229	6.7	GS59R19 GSF59R19 GSA59R19 GSAF59R19	0.37							
0.61	2131	5	6.5	204	6.7									
0.7	1863	5	7.1	187	6.7									
0.79	1663	5	8.1	165	6.7	GS59R19 GSF59R19 GSA59R19 GSAF59R19	0.55							
0.91	1435	5	10	131	6.7									
1	1254	5												
1.2	1120	5												
1.2	1083	5												

选型参数表
(恒转矩)
Selection Table
(Constant Torque)

M_{amax} [N.m]	n_a [r/min]	i	F_{Ra} [kN]	机型号 Type size	P [kW]/4P	M_{amax} [N.m]	n_a [r/min]	i	F_{Ra} [kN]	机型号 Type size	P [kW]/4P
520	0.06	21362	7.8		0.12	1220	0.13	9887	11	GS79R39 GSF79R39 GSA79R39 GSAF79R39	0.12
	0.07	19594	7.8				0.15	8817	11		
	0.07	18120	7.8				0.17	7735	11		
	0.08	16682	7.8				0.19	6735	11		
	0.09	14383	7.8	GS69R39			0.22	5943	11		
	0.1	12774	7.8	GSF69R39			0.25	5214	11		
	0.12	11013	7.8	GSA69R39			0.28	4618	11		
	0.14	9694	7.8	GSAF69R39			0.33	3992	11		
	0.15	8529	7.8				0.37	3540	11		
	0.18	7455	7.8								
	0.2	6531	7.8		0.42		3098	11	0.18		
	0.23	5759	7.8								
	0.26	4965	7.8								
	0.3	4410	7.8								
	0.34	3880	7.8		0.48		2753	11	0.12		
	0.38	3432	7.8		0.55		2374	11			
	0.44	2944	7.8	GS69R39							
	0.5	2630	7.8	GSF69R39	0.12		0.63	2083	11	GS79R39	
	0.57	2279	7.8	GSA69R39			0.72	1813	11	GSF79R39	
	0.65	2014	7.8	GSAF69R39			0.75	1745	11	0.18	
	0.74	1772	7.8				0.82	1600	11		
	0.84	1559	7.8								
	0.96	1363	7.8				0.95	1404	11	0.25	
1.1	1194	7.8		1.1		1245	11				
1.3	1045	7.8	GS69R39								
1.4	914	7.8	GSF69R39	0.18		1.2	1100	11	GS79R39		
			GSA69R39			GSF79R39					
			GSAF69R39								
1.6	809	7.8	GS69R39	0.18	1.4	954	11	GS79R39			
1.8	712	7.8	GSF69R39		1.6	837	11	GSF79R39			
			GSA69R39		1.9	714	11	GSA79R39			
			GSAF69R39								
2.2	615	7.8	GS69R39	0.25	2.2	637	11	GS79R39			
2.4	543	7.8	GSF69R39		2.4	574	11	GSF79R39			
			GSA69R39		2.8	499	11	GSA79R39			
			GSAF69R39								
2.8	469	7.8	GS69R39	0.37	3.2	438	11	GS79R39			
3.1	424	7.8	GSF69R39		3.6	389	11	GSF79R39			
3.6	365	7.8	GSA69R39								
			GSAF69R39								
4.4	319	7.8		0.55	4.3	327	11	GS79R39			
4.9	281	7.8	GS69R39		4.8	289	11	GSF79R39			
5.7	246	7.8	GSF69R39		5.6	250	11	GSA79R39			
6.3	221	7.8	GSA69R39		6.4	219	11	GSAF79R39			
8.3	168	7.8	GSAF69R39								
7	198	7.8	GS69R39	0.75	2300	0.05	25987	26	GS89R59 GSF89R59 GSA89R59 GSAF89R59	0.12	
			GSF69R39		0.05	23940	26				
			GSA69R39		0.06	20568	26				
			GSAF69R39	0.07	18265	26					
				0.08	16774	26					
				0.09	14820	26					
				0.10	13160	26					
				0.12	11200	26					
				0.13	9904	26					
				0.15	8549	26					
				0.17	7643	26					
				0.20	6706	26					
1220	0.05	25493	11		0.12						
	0.06	21787	11	GS79R39							
	0.07	19907	11	GSF79R39							
	0.08	17013	11	GSA79R39							
	0.09	14668	11	GSAF79R39							
	0.1	13110	11								
	0.11	11569	11								

选型参数表
(恒转矩)
Selection Table
(Constant Torque)

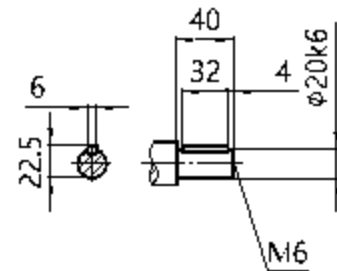
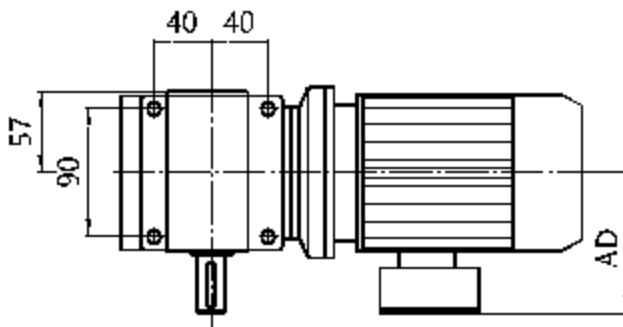
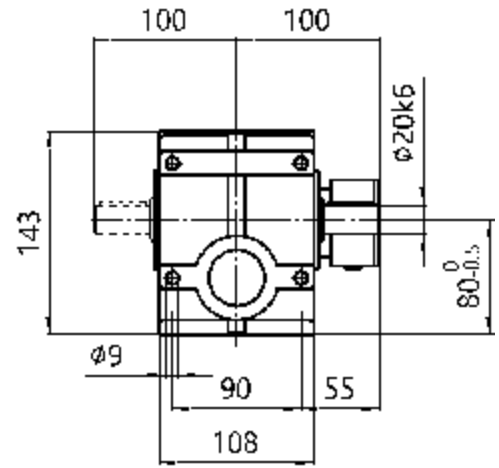
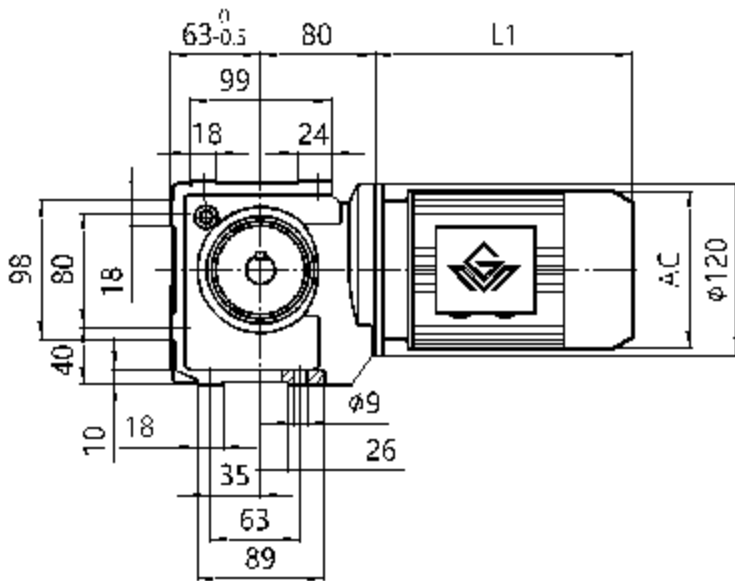
M_{amax} [N.m]	n_a [r/min]	i	F_{Ra} [kN]	机型号 Type size	P [kW]/4P	M_{amax} [N.m]	n_a [r/min]	i	F_{Ra} [kN]	机型号 Type size	P [kW]/4P	
2300	0.22	5875	26	GS89R59	0.18	4000	0.30	4444	30	GS99R59	0.25	
	0.25	5187	26	GSF89R59			0.33	4017	30	GSF99R59		
	0.28	4606	26	GSA89R59			0.39	3453	30	GSA99R59		
				GSAF89R59						GSAF99R59		
		0.34	3872	26	GS89R59		0.25	0.43	3108	30	GS99R59	0.37
				GSF89R59	0.50			2654	30	GSF99R59		
				GSA89R59	0.57			2329	30	GSA99R59		
				GSAF89R59						GSAF99R59		
		0.38	3475	26	GS89R59		0.25	0.67	2081	30	GS99R59	0.55
		0.46	2905	26	GSF89R59			0.75	1860	30	GSF99R59	
					GSA89R59		0.88	1574	30	GSA99R59		
					GSAF89R59					GSAF99R59		
		0.51	2586	26	GS89R59		0.37	1.0	1394	30	GS99R59	0.75
		0.57	2335	26	GSF89R59			1.1	1223	30	GSF99R59	
		0.65	2054	26	GSA89R59			1.3	1070	30	GSA99R59	
					GSAF89R59					GSAF99R59		
		0.76	1824	26	GS89R59		0.55	1.5	928	30	GS99R59	1.1
		0.85	1631	26	GSF89R59			1.7	824	30	GSF99R59	
		1.0	1332	26	GSA89R59						GSA99R59	
		1.2	1191	26	GSAF89R59						GSAF99R59	
	1.3	1032	26	GS89R59	0.75	2.0	714	31	GS99R59	1.5		
	1.5	930	26	GSF89R59		2.2	626	30	GSF99R59			
	1.7	831	26	GSA89R59		2.6	538	30	GSA99R59			
				GSAF89R59					GSAF99R59			
	1.9	719	26	GS89R59	1.1	3.0	484	30	GS99R59	2.2		
	2.2	624	26	GSF89R59		3.4	420	30	GSF99R59			
	2.5	558	26	GSA89R59		3.8	376	30	GSA99R59			
				GSAF89R59				GSAF99R59				
	2.9	485	26	GS89R59	1.5	4.4	327	30	GS99R59	3		
				GSF89R59		5.0	287	30	GSF99R59			
				GSA89R59				GSA99R59				
				GSAF89R59				GSAF99R59				
	3.2	435	26	GS89R59	1.5	5.7	252	30	GS99R59	4		
	3.7	378	26	GSF89R59		6.6	219	30	GSF99R59			
	5.5	255	26	GSA89R59		7.0	205	30	GSA99R59			
	6.3	222	26	GSAF89R5					GSAF99R59			
	6.8	205	26	GSAF89R5					GSAF99R59			
	4.4	323	26	GS89R59	2.2	6500	0.05	27093	40	0.12		
	5.1	281	26	GSF89R59		0.06	23118	40	GS109R79			
				GSA89R59	0.06	20215	40	GSF109R79				
				GSAF89R59	0.07	18344	40	GSA109R79				
					0.08	15767	40	GSAF109R79				
					0.10	12901	40					
					0.11	11708	40					
					0.06	20215	40					
					0.07	18344	40					
					0.08	15767	40	GS109R79				
					0.10	12901	40	GSF109R79				
					0.11	11708	40	GSA109R79				
					0.12	10719	40	GSAF109R79				
					0.13	9727	40					
					0.16	8360	40					
					0.08	15767	40					
					0.10	12901	40	GS109R79				
					0.11	11708	40	GSF109R79				
					0.12	10719	40	GSA109R79				
					0.14	9727	40	GSAF109R79				
					0.16	8360	40					
4000	0.04	33818	31	GS99R59 GSF99R59 GSA99R59 GSAF99R59	0.12							
	0.04	31154	31									
	0.05	27847	31									
	0.05	24641	31									
	0.06	21537	31									
	0.07	18749	31									
	0.08	16233	31									
	0.09	14576	31									
	0.10	12752	31									
	0.12	11267	31									
0.13	10078	31										
0.15	8608	31	GS99R59 GSF99R59 GSA99R59 GSAF99R59	0.18								
0.17	7554	31										
0.20	6640	30										
0.23	5780	30										
0.27	4937	30										

**选型参数表
(恒转矩)**
**Selection Table
(Constant Torque)**

M_{amax} [N.m]	n_a [r/min]	i	F_{Ra} [kN]	机型号 Type size	P [kW]/4P	M_{amax} [N.m]	n_a [r/min]	i	F_{Ra} [kN]	机型号 Type size	P [kW]/4P
6500	0.18	7226	40	GS109R79	0.25	6500	0.94	1521	40	GS109R79 GSF109R79 GSA109R79 GSAF109R79	2.2
	0.20	6557	40	GSF109R79			1.1	1327	40		
	0.23	5769	40	GSA109R79			1.3	1126	40		
				GSAF109R79			1.5	984	40		
	0.14	9727	40	GS109R79 GSF109R79 GSA109R79 GSAF109R79	0.37		1.7	864	40		
	0.16	8360	40				1.8	812	40		
	0.18	7226	40				2.1	688	40		
	0.20	6557	40				2.4	602	40		
	0.23	5769	40				1.3	1126	40		
	0.27	4958	40				1.5	984	40		
	0.31	4328	40				1.7	864	40		
							1.8	812	40		
	0.19	7226	40	GS109R79 GSF109R79 GSA109R79 GSAF109R79	0.55		2.1	688	40	GS109R79 GSF109R79 GSA109R79 GSAF109R79	3
	0.21	6557	40				2.4	602	40		
	0.24	5769	40				2.6	544	40		
	0.28	4958	40				3.0	476	40		
	0.32	4328	40				3.5	409	40		
	0.43	3243	40				1.8	812	40		
	0.55	2530	40	GS109R79 GSF109R79 GSA109R79 GSAF109R79	0.75		2.1	688	40	GS109R79 GSF109R79 GSA109R79 GSAF109R79	4
	0.24	5769	40				2.4	602	40		
	0.28	4958	40				2.6	544	40		
	0.32	4328	40				3.0	476	40		
	0.43	3243	40				3.5	409	40		
	0.55	2530	40				4.1	352	40		
	0.63	2208	40				4.7	307	40		
	0.71	1950	40				2.4	602	40		
	0.43	3243	40	GS109R79 GSF109R79 GSA109R79 GSAF109R79	1.1		2.6	544	40	GS109R79 GSF109R79 GSA109R79 GSAF109R79	5.5
	0.55	2530	40				3.0	476	40		
0.63	2208	40	3.5			409	40				
0.72	1950	40	4.1			352	40				
0.79	1769	40	4.7			307	40				
0.92	1521	40	GS109R79 GSF109R79 GSA109R79 GSAF109R79			1.5	0.55	2530	40		
1.05	1327	40		0.63	2208		40				
				0.72	1950		40				
				0.79	1769		40				
				0.92	1521		40				
				1.1	1327		40				
			1.2	1126	40						
			1.4	984	40						

GS39
安装结构尺寸

GS39
Mounting Dimensional Description

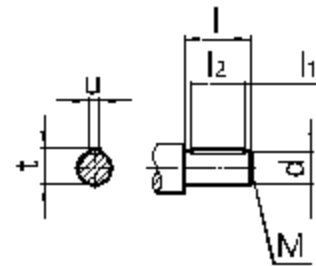
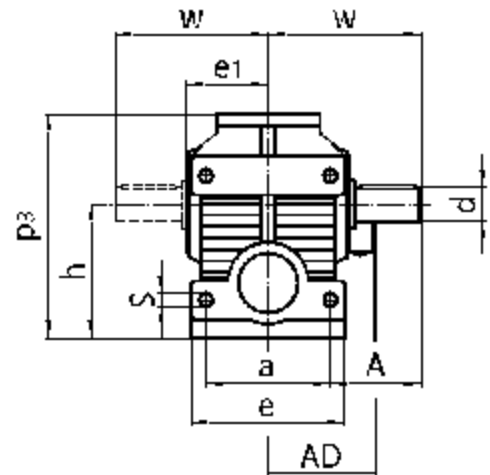
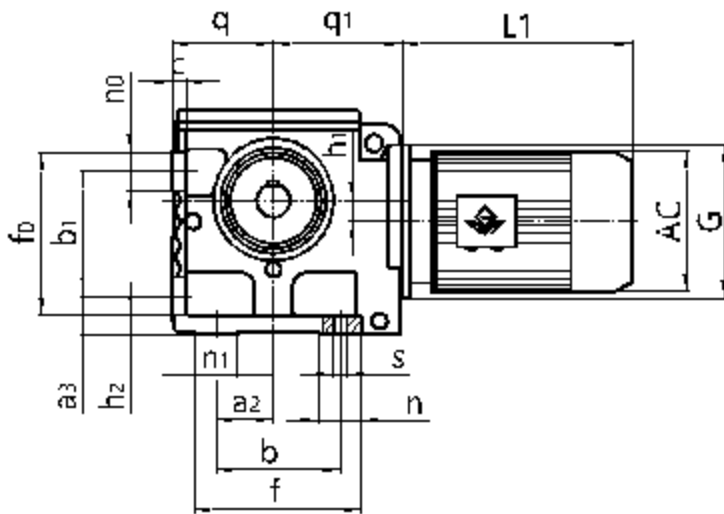


注： 1.电机需方配或配特殊电机时需加联接法兰（见附录 D）
2.直联电机尺寸见附录 A-2 和 A-3

Note: 1. When equipping the user's motor or the special one, the flange is required to connected. (Please see appendix D)
2. See Appendix A-2 and A-3 for dimensions of direct-connected motors

GS49-99
安装结构尺寸

GS49-99
Mounting Dimensional Description



机型号 Type Size	q d	q1 w	c A	f0 a	b1 e	n0 h	a3 p3	h1 e1	h2 u	n1 t	a2 l	s l1	n l2	b M	f G	电机尺寸 Motor Size											
																AC	AD	L1									
GS49	75 ^{-0.5}	96	12	105	80	25	35	8	15	30	35	Φ11	32	80	112	见附录 A-2 和 A-3 Please see appendix A-2 and A-3	AC	AD	L1								
	Φ25k6	115	65	100	120	100 ^{-0.5}	167	60	8	28	50	5	40	M10	Φ120												
GS59	80 ^{-0.5}	107	12	130	100	30	35	20	15	30	45	Φ11	30	100	130					见附录 A-2 和 A-3 Please see appendix A-2 and A-3	AC	AD	L1				
	Φ30k6	134	79	110	136	112 ^{-0.5}	190	71	8	33	60	3.5	50	M10	Φ120												
GS69	106 ^{-0.5}	135	15	170	130	40	40	22	20	45	60	Φ13.5	45	130	175									见附录 A-2 和 A-3 Please see appendix A-2 and A-3	AC	AD	L1
	Φ35k6	160	95	130	160	140 ^{-0.5}	238	85.5	10	38	70	7	56	M12	Φ160												
GS79	125 ^{-0.5}	162	25	177	135	42	70	34	25	50	75	Φ17.5	69	135	204	见附录 A-2 和 A-3 Please see appendix A-2 and A-3	AC	AD	L1								
	Φ45k6	195	120	150	185	180 ^{-0.5}	304	101	14	48.5	90	5	80	M16	Φ200												
GS89	150 ^{-0.5}	190	30	230	180	50	82	37.5	30	60	92	Φ22	67	180	247					见附录 A-2 和 A-3 Please see appendix A-2 and A-3	AC	AD	L1				
	Φ60m6	255	155	200	250	225 ^{-0.5}	372	130	18	64	120	5	110	M20	Φ250												
GS99	180 ^{-0.5}	240	35	295	235	60	90	52	35	80	115	Φ26	85	235	320									见附录 A-2 和 A-3 Please see appendix A-2 and A-3	AC	AD	L1
	Φ70m6	295	170	250	300	280 ⁻¹	461	150	20	74.5	140	7.5	125	M20	Φ300												

注： 1.减速机部分的外形尺寸，未包含通气帽的高度尺寸。通气帽的高度尺寸为 17。

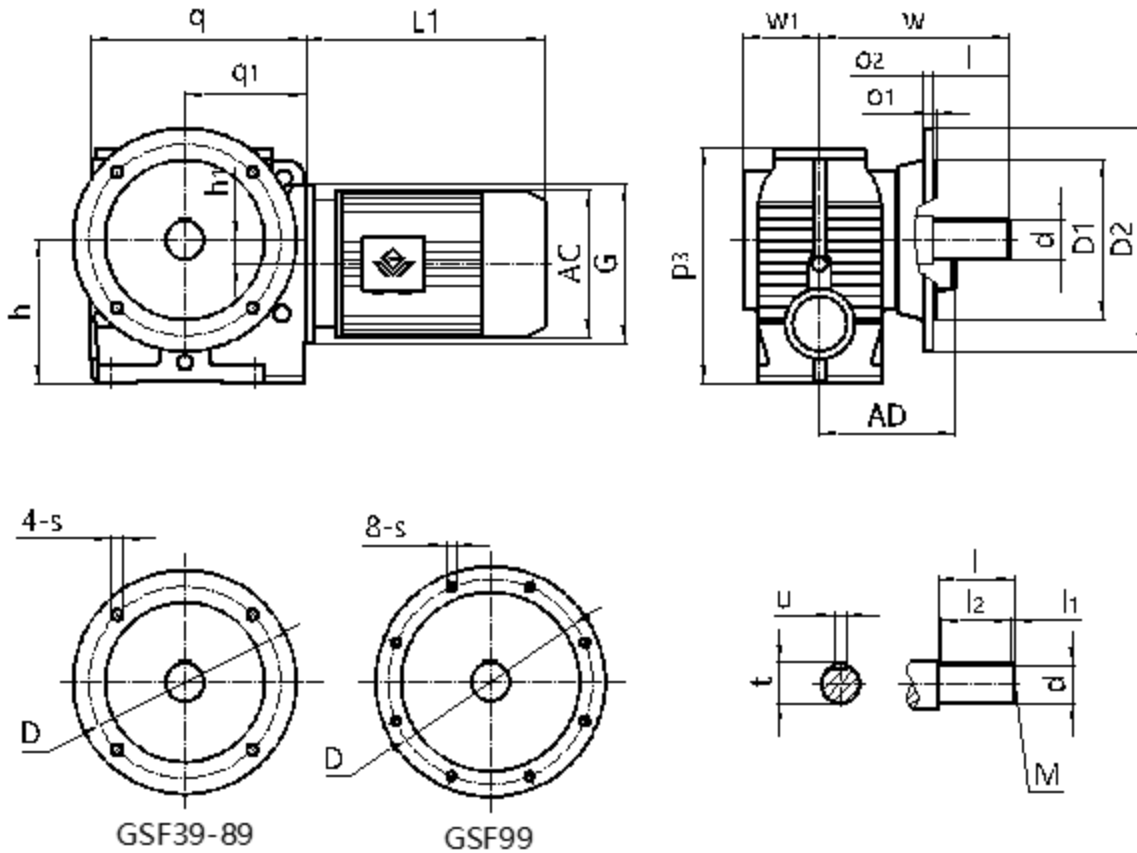
2.电机需方配或配特殊电机时需加联接法兰（见附录 D）

Note: 1.The dimensions don't include the height of the breathe valve.the height of the breathe valve is 17.

2.When equipping the user's motor or the special one, the flange is required to connected. (Please see appendix D)

GSF39-99
安装结构尺寸

GSF39-99
Mounting Dimensional Description



机型号 Type Size	q p ₃	q ₁ w	h w ₁	h ₁ u	s t	D l	D1 l ₁	D2 l ₂	o ₁ d	o ₂ M	G	电机尺寸 Motor Size										
												AC	AD	L1								
GSF39	143	80	82 ^{-0.5}	/	Φ9/Φ6.6	Φ130/Φ100	Φ110j6/Φ80j6	Φ160/Φ120	3.5/3	10/8	Φ120	见附录 A-2 和 A-3 Please see appendix A-2 and A-3										
	131	115	57	6	22.5	40	4	32	Φ20k6	M6												
GSF49	175	96	100 ^{-0.5}	8	Φ9	Φ130	Φ110j6	Φ160	3.5	10	Φ120											
	181	133.5	57.5	8	28	50	5	40	Φ25k6	M10												
GSF59	191	107	112 ^{-0.5}	20	Φ11	Φ165	Φ130j6	Φ200	3.5	10	Φ120											
	191	160	72	8	33	60	3.5	50	Φ30k6	M10												
GSF69	246	135	140 ^{-0.5}	22	Φ11	Φ165	Φ130j6	Φ200	3.5	12	Φ160											
	238	190	80.5	10	38	70	7	56	Φ35k6	M12												
GSF79	292	162	180 ^{-0.5}	34	Φ13.5	Φ215	Φ180j6	Φ250	4	15	Φ200											
	304	232	125	14	48.5	90	5	80	Φ45k6	M16												
GSF89	344	190	225 ^{-0.5}	37.5	Φ17.5	Φ300	Φ250h6	Φ350	5	15	Φ250											
	372	290	150	18	64	120	5	110	Φ60m6	M20												
GSF99	425	240	280 ⁻¹	52	Φ17.5	Φ400	Φ350h6	Φ450	5	22	Φ300											
	460	340	170	20	74.5	140	7.5	125	Φ70m6	M20												

注： 1.减速机部分的外形尺寸，未包含通气帽的高度尺寸。通气帽的高度尺寸为 17。

2.电机需方配或配特殊电机时需加联接法兰（见附录 D）

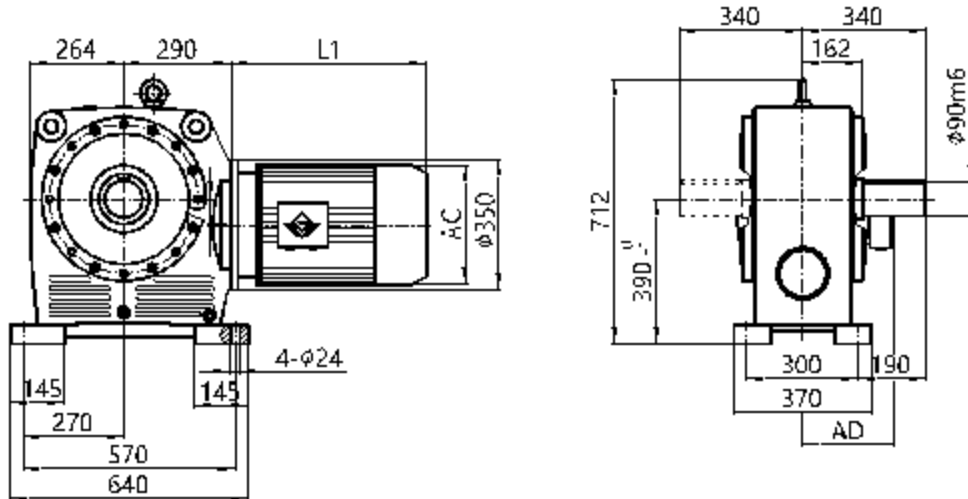
Note: 1.The dimensions don't include the height of the breathe valve.the height of the breathe valve is 17.

2.When equipping the user's motor or the special one, the flange is required to connected. (Please see appendix D)

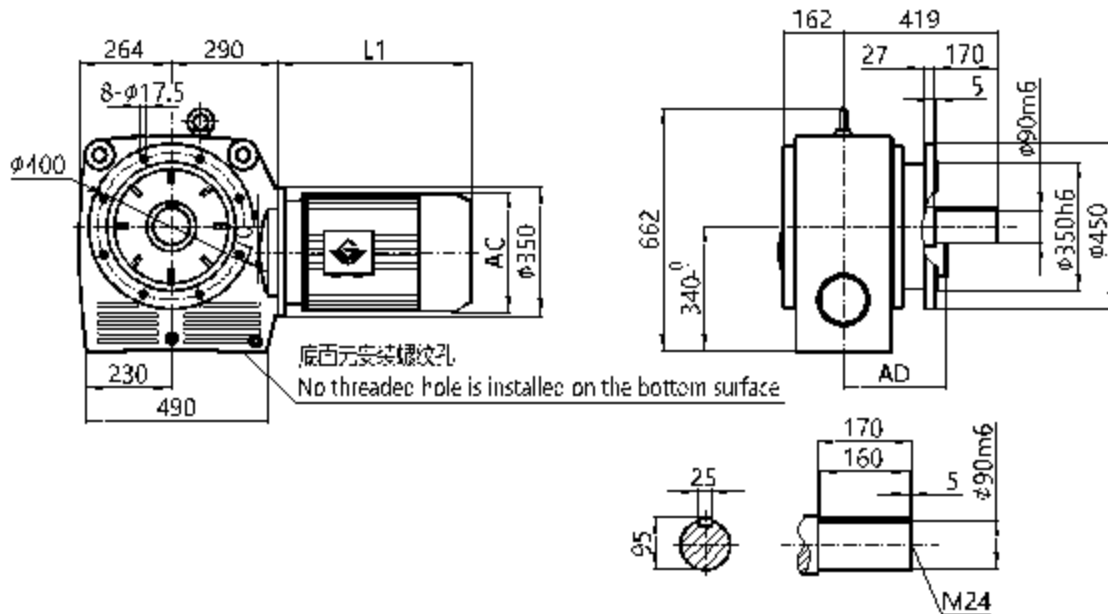
GS109/GSF109
安装结构尺寸

GS109/GSF109
Mounting Dimensional Description

GS109



GSF109



注： 1.电机需方配或配特殊电机时需加联接法兰（见附录 D）

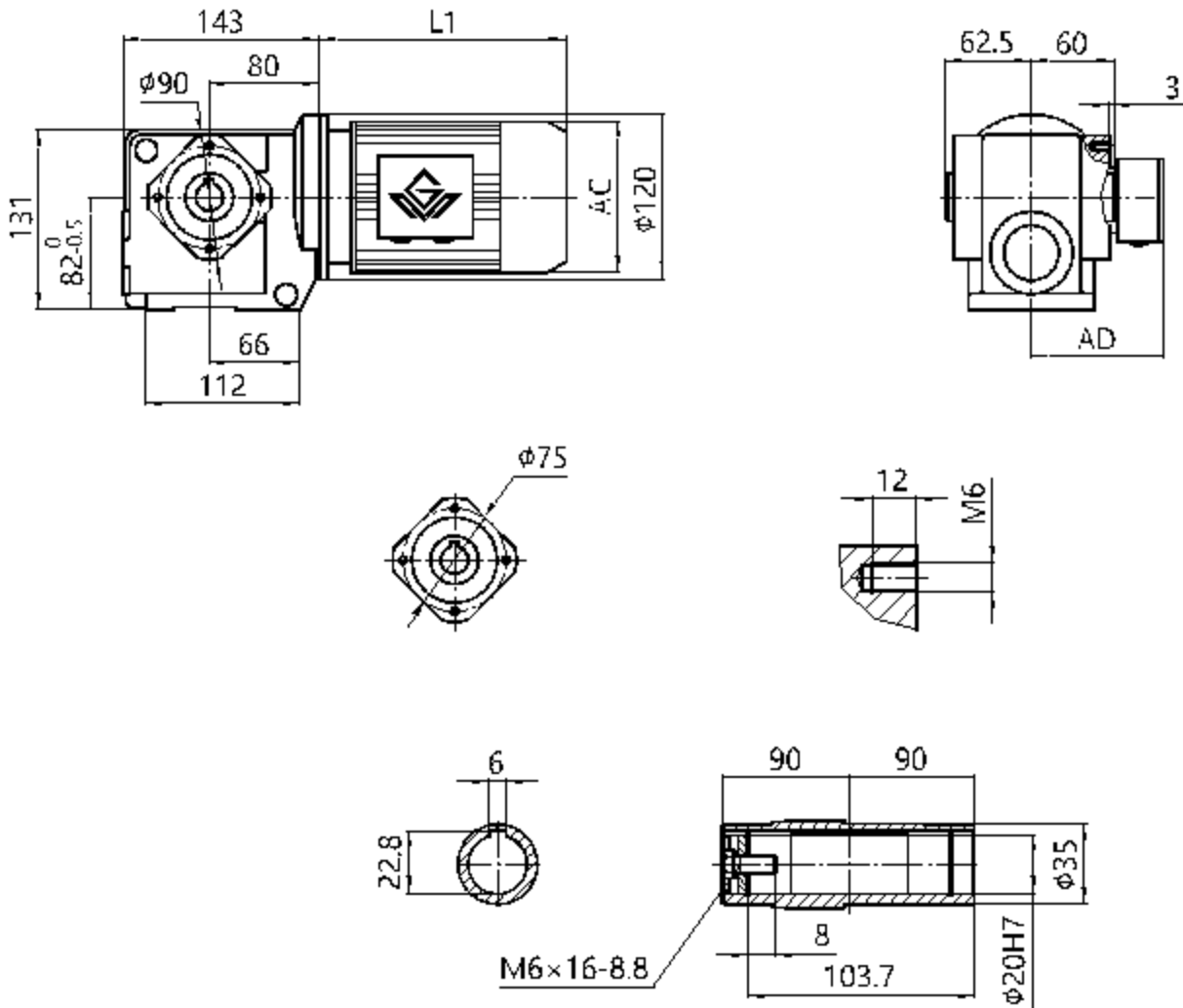
2.直联电机尺寸见附录 A-2 和 A-3

Note: 1.When equipping the user's motor or the special one, the flange is required to connected. (Please see appendix D)

2.See Appendix A-2 and A-3 for dimensions of direct-connected motors

GSA39
安装结构尺寸

GSA39
Mounting Dimensional Description



注： 1.电机需方配或配特殊电机时需加联接法兰（见附录 D）

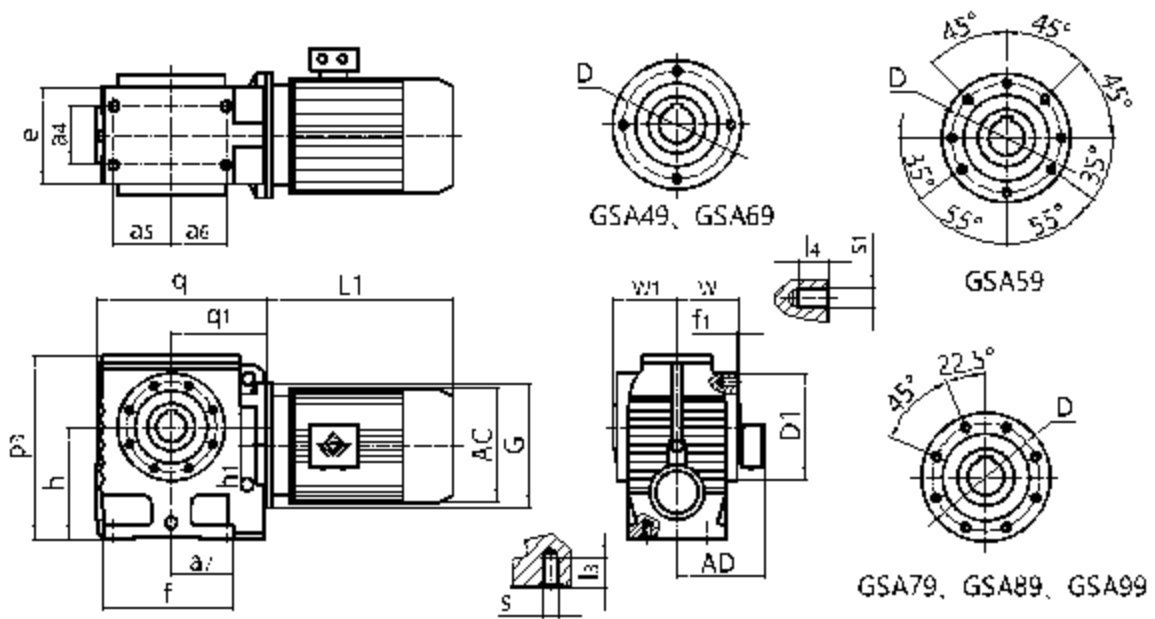
2.直联电机尺寸见附录 A-2 和 A-3

Note: 1. When equipping the user's motor or the special one, the flange is required to connected. (Please see appendix D)

2. See Appendix A-2 and A-3 for dimensions of direct-connected motors

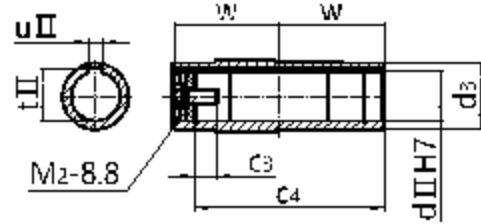
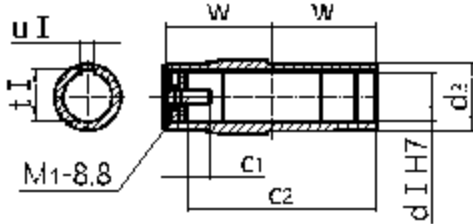
GSA49-99
安装结构尺寸

GSA49-99
Mounting Dimensional Description



较大孔径 (The bigger diameter of bore)

较小孔径 (The smaller diameter of bore)



机型号 Type Size	e h1	a4 a7	a5 f	a6 w	s f1	l3 D1	s1 d3	l4 dI	D uI	q tI	q1 dII	p3 uII	h tII	c1 c2	c3 c4	M1 M2	G w1	电机尺寸 Motor Size			
																		AC	AD	L1	
GSA49	94	60	35	52	M10	20	M8	14	Φ115	175	96	181	100-0.5	17	17	M10×25	Φ120	见附录 A-2 和 A-3	AC	AD	L1
	8	67	127	60	2.5	Φ130	Φ45	Φ30	8	33.3	Φ25	8	28.3	103.7	103.7	M10×25	63				
GSA59	100	60	58.5	58.5	M10	20	M8	15	Φ102	191	107	191	112-0.5	22	17	M12×30	Φ120	见附录 A-2 和 A-3	AC	AD	L1
	20	73	146	75	3	Φ120	Φ50	Φ35	10	38.3	Φ30	8	33.3	132	132	M10×25	78				
GSA69	130	88	71.5	80.5	M12	25	M12	20	Φ130	246	135	238	140-0.5	29	29	M16×40	Φ160	见附录 A-2 和 A-3	AC	AD	L1
	22	95.5	182	84	3.5	Φ155	Φ65	Φ45	14	48.8	Φ40	12	43.3	144	144	M16×40	87				
GSA79	156	102	85	85	M16	32	M12	21	Φ155	292	162	304	180-0.5	37	32	M20×50	Φ200	见附录 A-2 和 A-3	AC	AD	L1
	34	104	204	105	4	Φ178	Φ80	Φ60	18	64.4	Φ50	14	53.8	183	183	M16×45	108				
GSA89	194	118	115	110	M16	32	M16	28	Φ180	344	190	372	225-0.5	34	36	M20×50	Φ250	见附录 A-2 和 A-3	AC	AD	L1
	37.5	125	260	125	5	Φ215	Φ95	Φ70	20	74.9	Φ60	18	64.4	220	220	M20×50	128				
GSA99	236	160	135	113	M20	37	M16	28	Φ220	425	240	460	280-1	41	34	M24×60	Φ300	见附录 A-2 和 A-3	AC	AD	L1
	52	140	301	145	5	Φ260	Φ120	Φ90	25	95.4	Φ70	20	74.9	260	260	M20×50	149				

注: 1.减速机部分的外形尺寸, 未包含通气帽的高度尺寸。通气帽的高度尺寸为 17。

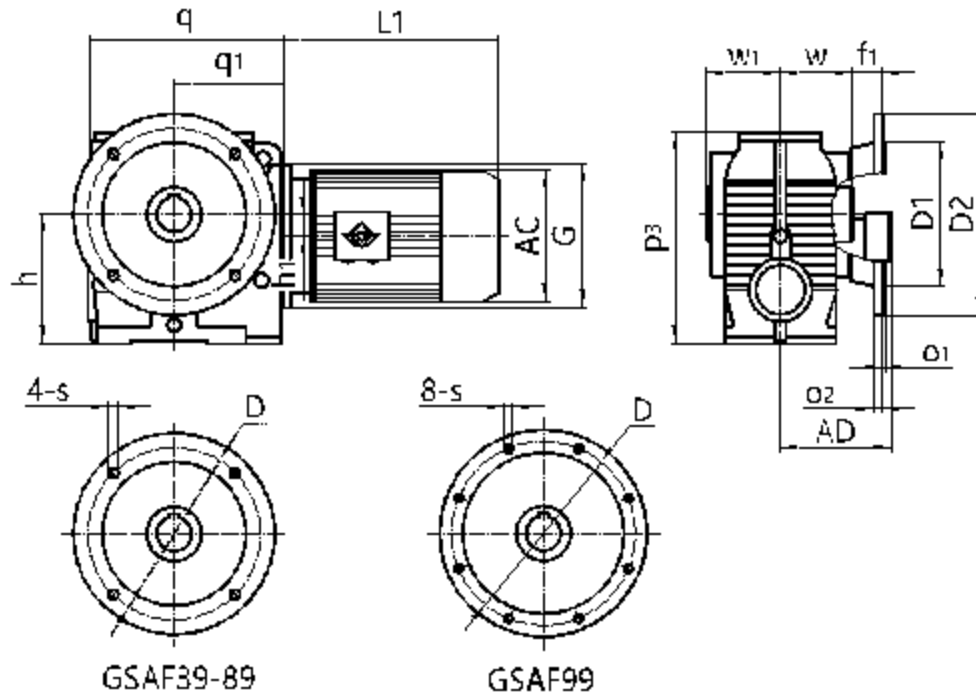
2.电机需方配或配特殊电机时需加联接法兰 (见附录 D)

Note: 1.The dimensions don't include the height of the breathe valve.the height of the breathe valve is 17.

2.When equipping the user's motor or the special one, the flange is required to connected. (Please see appendix D)

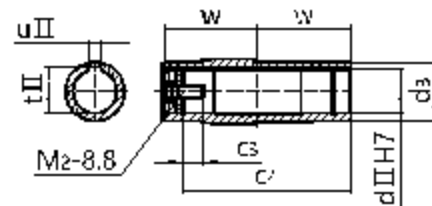
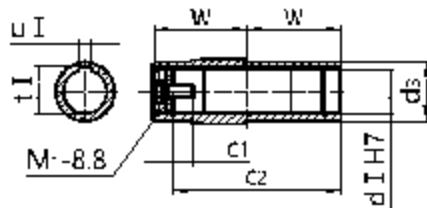
GSAF39-99
安装结构尺寸

GSAF39-99
Mounting Dimensional Description



较大孔径 (The bigger diameter of bore)

较小孔径 (The smaller diameter of bore)



机型号 Type Size	q	q ₁	h	h ₁	s	D	D ₁	D ₂	o ₁	o ₂	c ₁	c ₃	M ₁	G	电机尺寸 Motor Size		
															AC	AD	L1
GSAF39	143	80	82 ^{-0.5}	/	Φ9/Φ6.6	Φ130/Φ100	Φ110j6/Φ80j6	Φ160/Φ120	3.5/3	10/8	8	/	M6×16	Φ120			
	131	60	15	Φ35	Φ20	6	22.8	/	/	/	103.7	/	/	62.5			
GSAF49	175	96	100 ^{-0.5}	8	Φ9	Φ130	Φ110j6	Φ160	3.5	10	17	17	M10×25	Φ120			
	181	60	24	Φ45	Φ30	8	33.3	Φ25	8	28.3	103.7	103.7	M10×25	63			
GSAF59	191	107	112 ^{-0.5}	20	Φ11	Φ165	Φ130j6	Φ200	3.5	12	22	17	M12×30	Φ120	见附录 A-2 和 A-3		
	191	75	25	Φ50	Φ35	10	38.3	Φ30	8	33.3	132	132	M10×25	78			
GSAF69	246	135	140 ^{-0.5}	22	Φ11	Φ165	Φ130j6	Φ200	3.5	12	29	29	M16×40	Φ160	Please see appendix A-2 and A-3		
	238	84	42.5	Φ65	Φ45	14	48.8	Φ40	12	43.3	144	144	M16×40	87			
GSAF79	292	162	180 ^{-0.5}	34	Φ13.5	Φ215	Φ180j6	Φ250	4	15	37	32	M20×50	Φ200			
	304	105	45.5	Φ80	Φ60	18	64.4	Φ50	14	53.8	183	183	M16×45	108			
GSAF89	344	190	225 ^{-0.5}	37.5	Φ17.5	Φ300	Φ250h6	Φ350	5	15	34	36	M20×50	Φ250			
	372	125	52.5	Φ95	Φ70	20	74.9	Φ60	18	64.4	220	220	M20×50	128			
GSAF99	425	240	280 ⁻¹	52	Φ17.5	Φ400	Φ350h6	Φ450	5	17	41	34	M24×60	Φ300			
	460	145	60	Φ120	Φ90	25	95.4	Φ70	20	74.9	260	260	M20×50	149			

注： 1.减速机部分的外形尺寸，未包含通气帽的高度尺寸。通气帽的高度尺寸为 17。

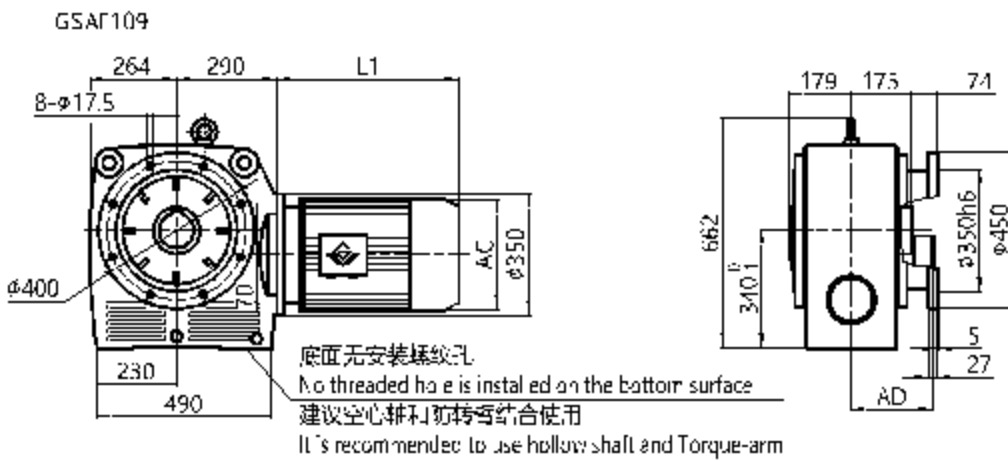
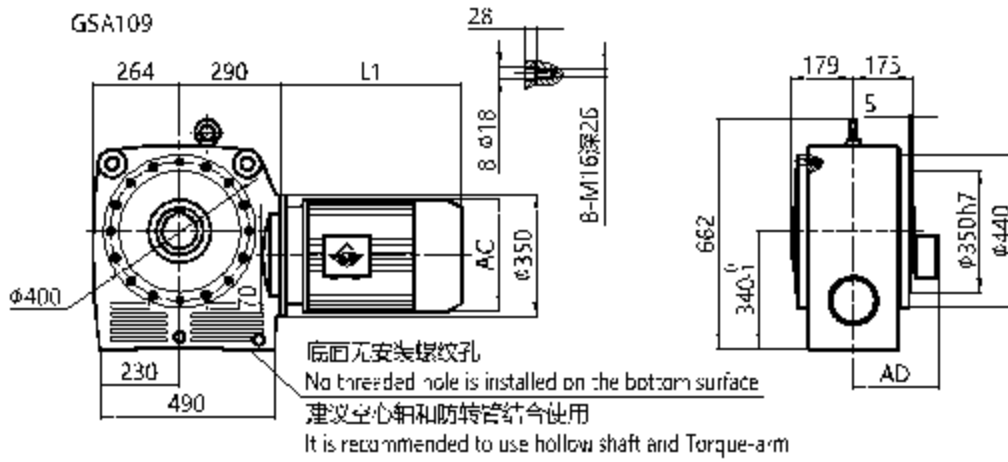
2.电机需方配或配特殊电机时需加联接法兰（见附录 D）

Note: 1.The dimensions don't include the height of the breathe valve.the height of the breathe valve is 17.

2.When equipping the user's motor or the special one, the flange is required to connected. (Please see appendix D)

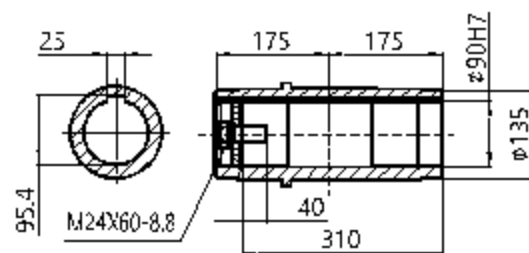
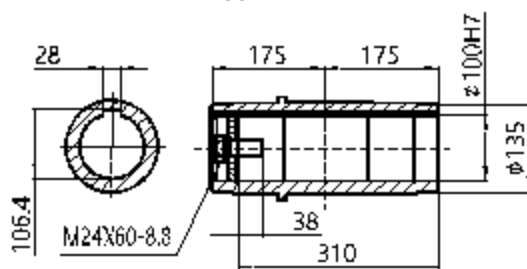
GSA109/GSAF109
安装结构尺寸

GSA109/GSAF109
Mounting Dimensional Description



较大孔径 (The bigger diameter of bore)

较小孔径 (The smaller diameter of bore)

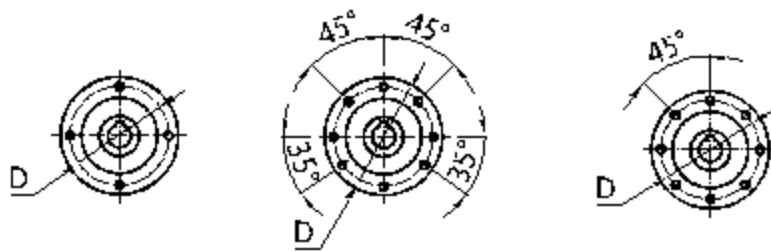
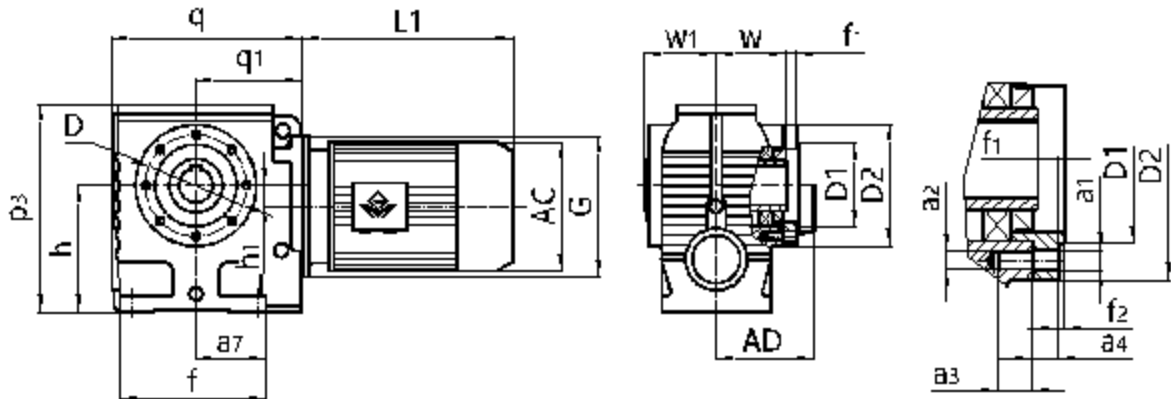


- 注: 1.电机需方配或配特殊电机时需加联接法兰 (见附录 D)
2.直联电机尺寸见附录 A-2 和 A-3

- Note: 1. When equipping the user's motor or the special one, the flange is required to connected. (Please see appendix D)
2. See Appendix A-2 and A-3 for dimensions of direct-connected motors

GSAZ49-99
安装结构尺寸

GSAZ49-99
Mounting Dimensional Description



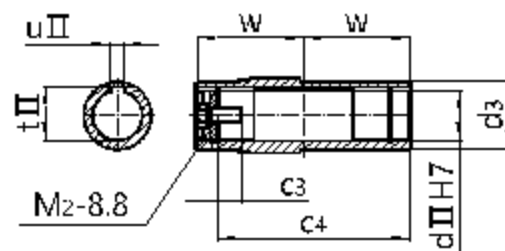
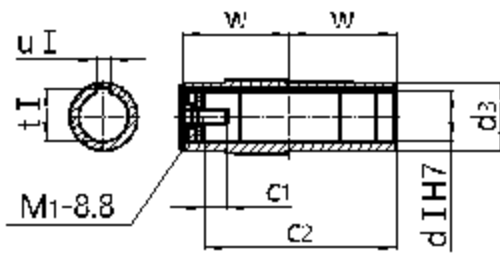
GSAZ49, GSAZ69

GSAZ59

GSAZ79, GSAZ89, GSAZ99

较大孔径 (The bigger diameter of bore)

较小孔径 (The smaller diameter of bore)



机型号 Type Size	d I d II	d ₃ G	M ₁ M ₂	q q ₁	h h ₁	p ₃ f	a ₇ f ₂	a ₂ f ₁	a ₃ a ₁	a ₄ D	D1 D2	w w ₁	t I u I	t II u II	c ₁ c ₂	c ₃ c ₄	电机尺寸 Motor Size			
																	AC	AD	L1	
GSAZ49	Φ30	Φ45	M10×25	175	100-0.5	181	67	M8	14	11	Φ95j6	60	33.3	28.3	17	17	见附录 A-2 和 A-3	AC	AD	L1
	Φ25	Φ120	M10×25	96	8	127	3	8.5	Φ9	Φ115	Φ130	63	8	8	103.7	103.7				
GSAZ59	Φ35	Φ50	M12×30	191	112-0.5	191	73	M8	15	11	Φ80j6	75	38.3	33.3	22	17	见附录 A-2 和 A-3	AC	AD	L1
	Φ30	Φ120	M10×25	107	20	146	3	8	Φ9	Φ102	Φ120	78	10	8	132	132				
GSAZ69	Φ45	Φ65	M16×40	246	140-0.5	238	95.5	M12	20	13	Φ105j6	84	48.8	43.3	29	29	见附录 A-2 和 A-3	AC	AD	L1
	Φ40	Φ160	M16×40	135	22	182	3.5	9.5	Φ13	Φ130	Φ155	87	14	12	144	144				
GSAZ79	Φ60	Φ80	M20×50	292	180-0.5	304	104	/	/	18.5	Φ125j6	105	64.4	53.8	37	32	见附录 A-2 和 A-3	AC	AD	L1
	Φ50	Φ200	M16×45	162	34	204	4	14.5	M12	Φ155	Φ178	108	18	14	183	183				
GSAZ89	Φ70	Φ95	M20×50	344	225-0.5	372	125	/	/	23.5	Φ150j6	125	74.9	64.4	34	36	见附录 A-2 和 A-3	AC	AD	L1
	Φ60	Φ250	M20×50	190	37.5	260	5	18.5	M16	Φ180	Φ215	128	20	18	220	220				
GSAZ99	Φ90	Φ120	M24×60	425	280-1.0	460	140	/	/	23.5	Φ180j6	145	95.4	74.9	41	34	见附录 A-2 和 A-3	AC	AD	L1
	Φ70	Φ300	M20×50	240	52	301	5	18.5	M16	Φ220	Φ260	149	25	20	260	260				

注: 1.减速机部分的外形尺寸, 未包含通气帽的高度尺寸。通气帽的高度尺寸为 17。

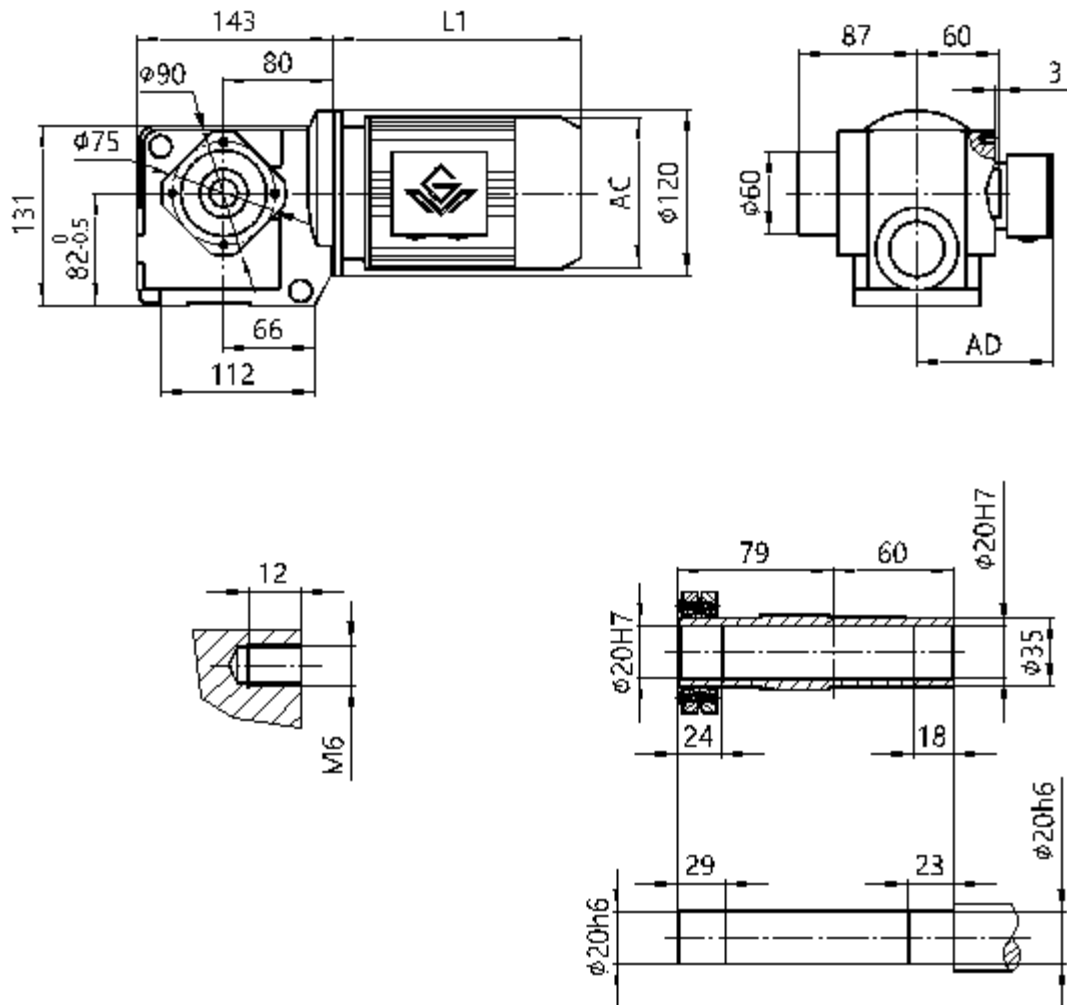
2.电机需方配或配特殊电机时需加联接法兰 (见附录 D)

Note: 1.The dimensions don't include the height of the breathe valve.the height of the breathe valve is 17.

2.When equipping the user's motor or the special one, the flange is required to connected. (Please see appendix D)

GSH39
安装结构尺寸

GSH39
Mounting Dimensional Description

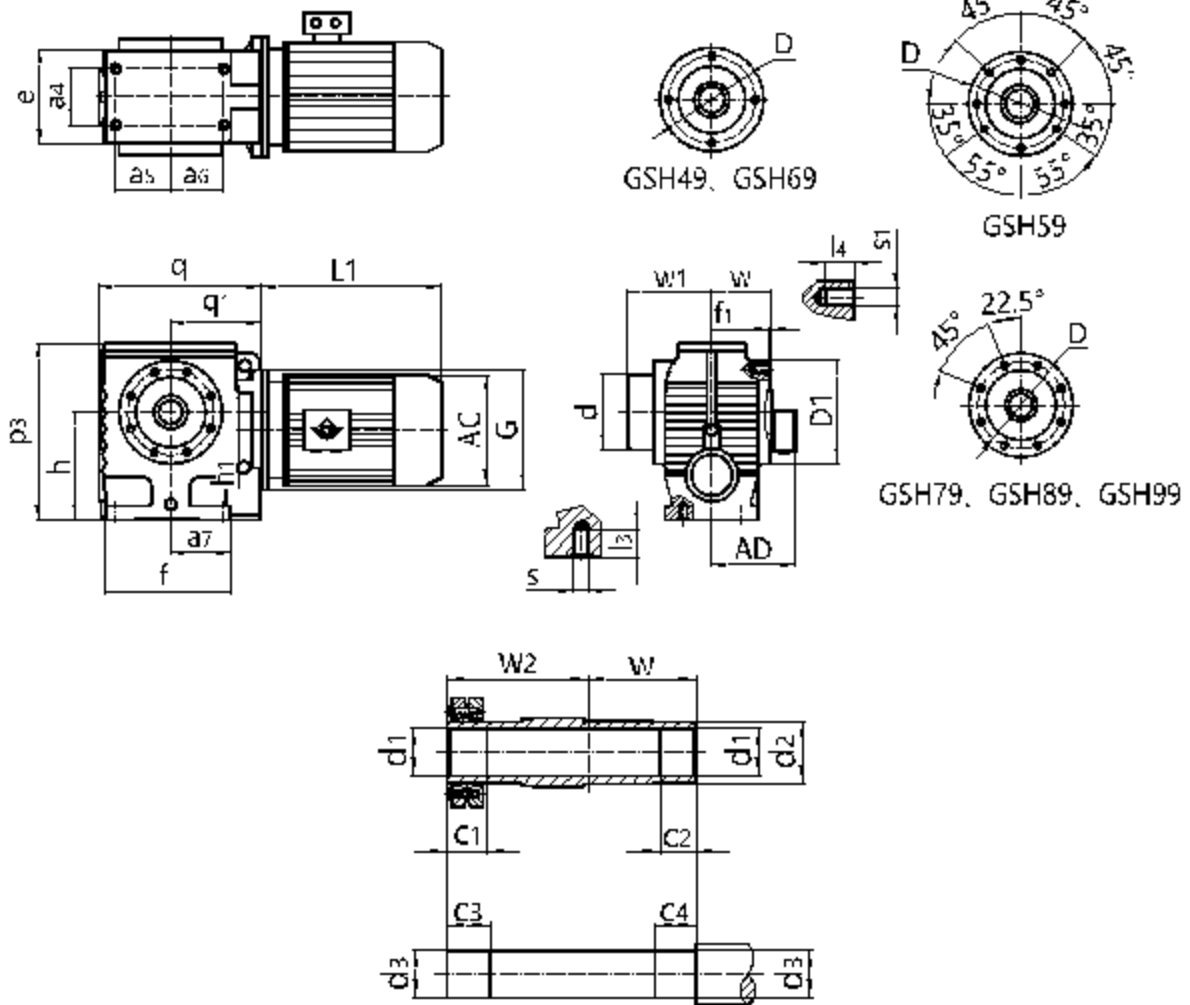


注： 1.电机需方配或配特殊电机时需加联接法兰（见附录 D）
2.直联电机尺寸见附录 A-2 和 A-3

Note: 1. When equipping the user's motor or the special one, the flange is required to be connected. (Please see appendix D)
2. See Appendix A-2 and A-3 for dimensions of direct-connected motors

GSH49-99
安装结构尺寸

GSH49-99
Mounting Dimensional Description



机型号 Type Size	q q ₁	e a ₄	a ₆ a ₅	p ₃ a ₇	h h ₁	f f ₁	w w ₁	c ₁ c ₂	c ₃ c ₄	D D ₁	d d ₁	d ₂ d ₃	s s ₁	l ₃ l ₄	w ₂ G	电机尺寸 Motor Size			
																AC	AD	L1	
GSH49	175	94	52	181	100 _{-0.5}	127	60	31	36	Φ115	Φ80	Φ45	M10	20	86	见附录 A-2 和 A-3 Please see appendix A-2 and A-3			
	96	60	35	67	8	2.5	95	20	25	Φ130	Φ30H7	Φ30h6	M8	14	Φ120				
GSH59	191	100	58.5	191	112 _{-0.5}	146	75	32	37	Φ102	Φ88	Φ50	M10	20	102				
	107	60	58.5	73	20	3	110	20	25	Φ120	Φ35H7	Φ35h6	M8	15	Φ120				
GSH69	246	130	80.5	238	140 _{-0.5}	182	84	38	43	Φ130	Φ102	Φ65	M12	25	112				
	135	88	71.5	95.5	22	3.5	120	20	25	Φ155	Φ40H7	Φ40h6	M12	20	Φ160				
GSH79	292	156	85	304	180 _{-0.5}	204	105	36	41	Φ155	Φ127	Φ80	M16	32	136				
	162	102	85	104	34	4	146	30	35	Φ178	Φ50H7	Φ50h6	M12	21	Φ200				
GSH89	344	194	110	372	225 _{-0.5}	260	125	40	45	Φ180	Φ157	Φ95	M16	32	165				
	190	118	115	125	37.5	5	176	40	45	Φ215	Φ65H7	Φ65h6	M16	28	Φ250				
GSH99	425	236	113	460	280 ₋₁	301	145	55	60	Φ220	Φ171	Φ120	M20	37	190				
	240	160	135	140	52	5	204	50	55	Φ260	Φ75H7	Φ75h6	M16	28	Φ300				

注: 1.减速机部分的外形尺寸, 未包含通气帽的高度尺寸。通气帽的高度尺寸为 17。

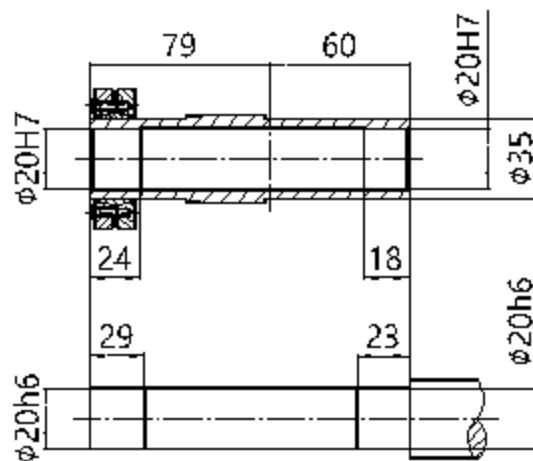
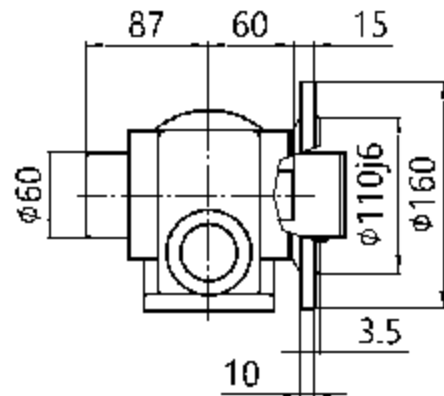
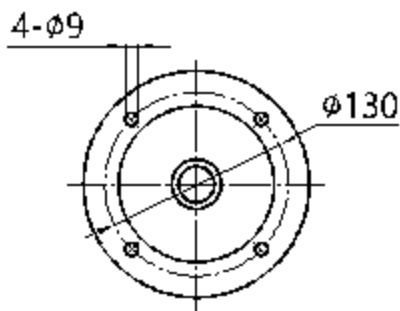
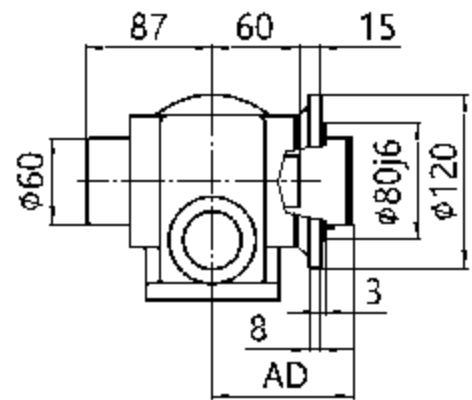
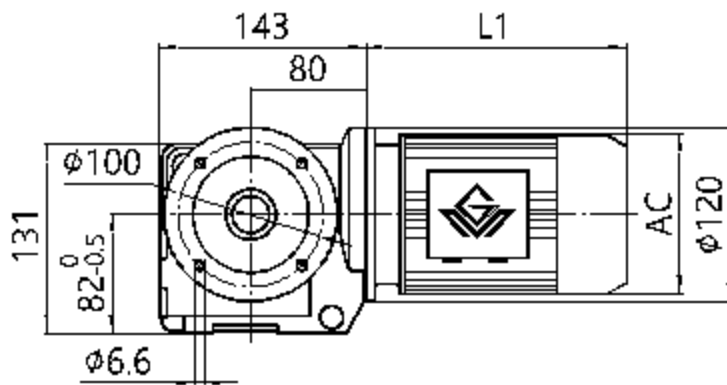
2.电机需方配或配特殊电机时需加联接法兰 (见附录 D)

Note: 1.The dimensions don't include the height of the breathe valve.the height of the breathe valve is 17.

2.When equipping the user's motor or the special one, the flange is required to connected. (Please see appendix D)

GSHF39
安装结构尺寸

GSHF39
Mounting Dimensional Description

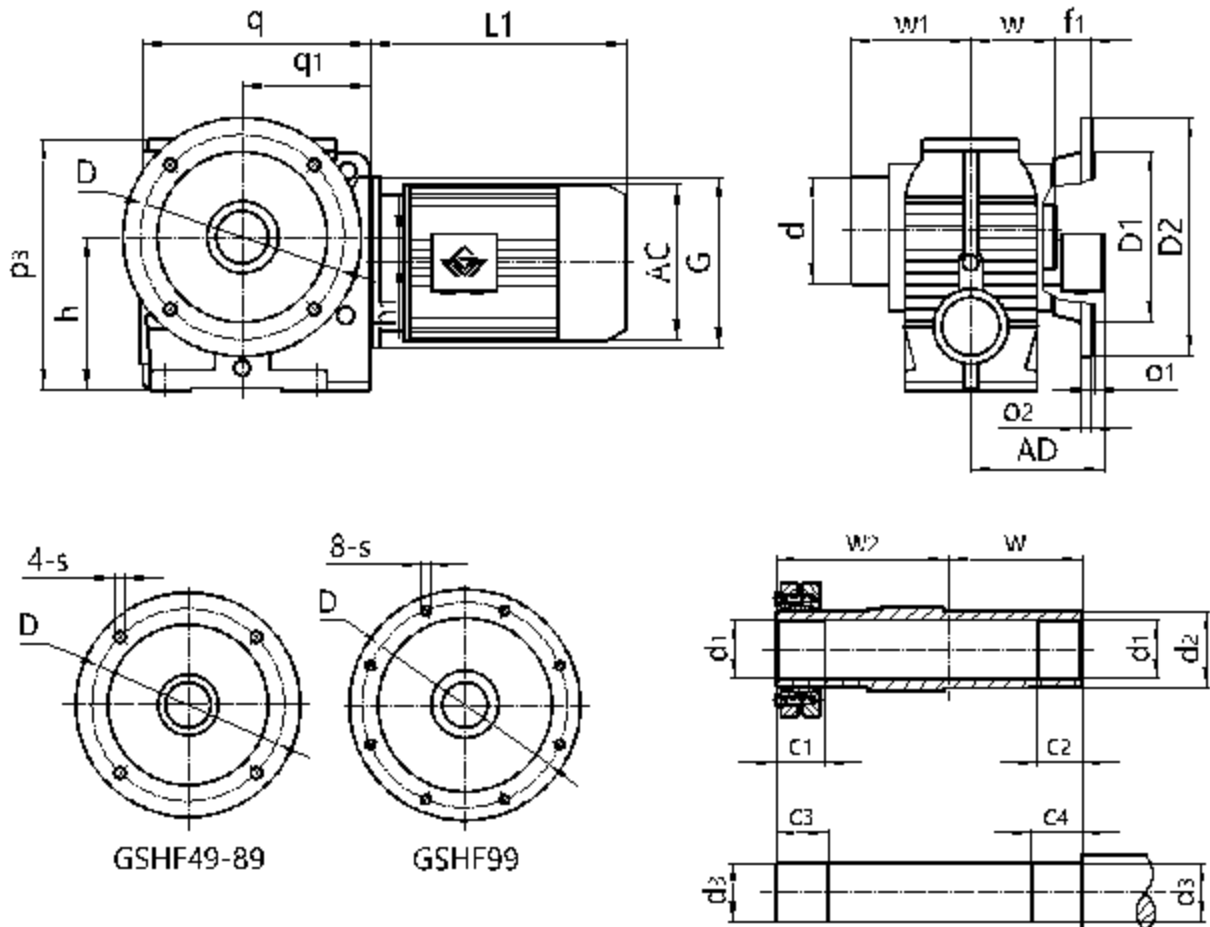


注： 1.电机需方配或配特殊电机时需加联接法兰（见附录 D）
2.直联电机尺寸见附录 A-2 和 A-3

Note: 1. When equipping the user's motor or the special one, the flange is required to be connected. (Please see appendix D)
2. See Appendix A-2 and A-3 for dimensions of direct-connected motors

GSHF49-99
安装结构尺寸

GSHF49-99
Mounting Dimensional Description



机型号 Type Size	q q ₁	h h ₁	s D	o ₂ o ₁	D2 D1	w w ₁	w ₂ c ₁	c ₂ f ₁	c ₃ c ₄	d d ₁	d ₂ d ₃	p ₃ G	电机尺寸 Motor Size																							
													AC	AD	L1																					
GSHF49	175	100 ^{-0.5}	Φ9	10	Φ160	60	86	20	36	Φ80	Φ45	181	见附录 A-2 和 A-3 Please see appendix A-2 and A-3																							
	96	8	Φ130	3.5	Φ110j6	95	31	24	25	Φ30H7	Φ30h6	Φ120																								
GSHF59	191	112 ^{-0.5}	Φ11	12	Φ200	75	102	20	37	Φ88	Φ50	191																								
	107	20	Φ165	3.5	Φ130j6	110	32	25	25	Φ35H7	Φ35h6	Φ120																								
GSHF69	246	140 ^{-0.5}	Φ11	12	Φ200	84	112	20	43	Φ102	Φ65	238																								
	135	22	Φ165	3.5	Φ130j6	120	38	42.5	25	Φ40H7	Φ40h6	Φ160																								
GSHF79	292	180 ^{-0.5}	Φ13.5	15	Φ250	105	136	30	41	Φ127	Φ80	304																								
	162	34	Φ215	4	Φ180j6	146	36	45.5	35	Φ50H7	Φ50h6	Φ200																								
GSHF89	344	225 ^{-0.5}	Φ17.5	15	Φ350	125	165	40	45	Φ157	Φ95	372																								
	190	37.5	Φ300	5	Φ250h6	176	40	52.5	45	Φ65H7	Φ65h6	Φ250																								
GSHF99	425	280 ^{-1.0}	Φ17.5	17	Φ450	145	190	50	60	Φ171	Φ120	460																								
	240	52	Φ400	5	Φ350h6	204	55	60	55	Φ75H7	Φ75h6	Φ300																								

注： 1.减速机部分的外形尺寸，未包含通气帽的高度尺寸。通气帽的高度尺寸为 17。

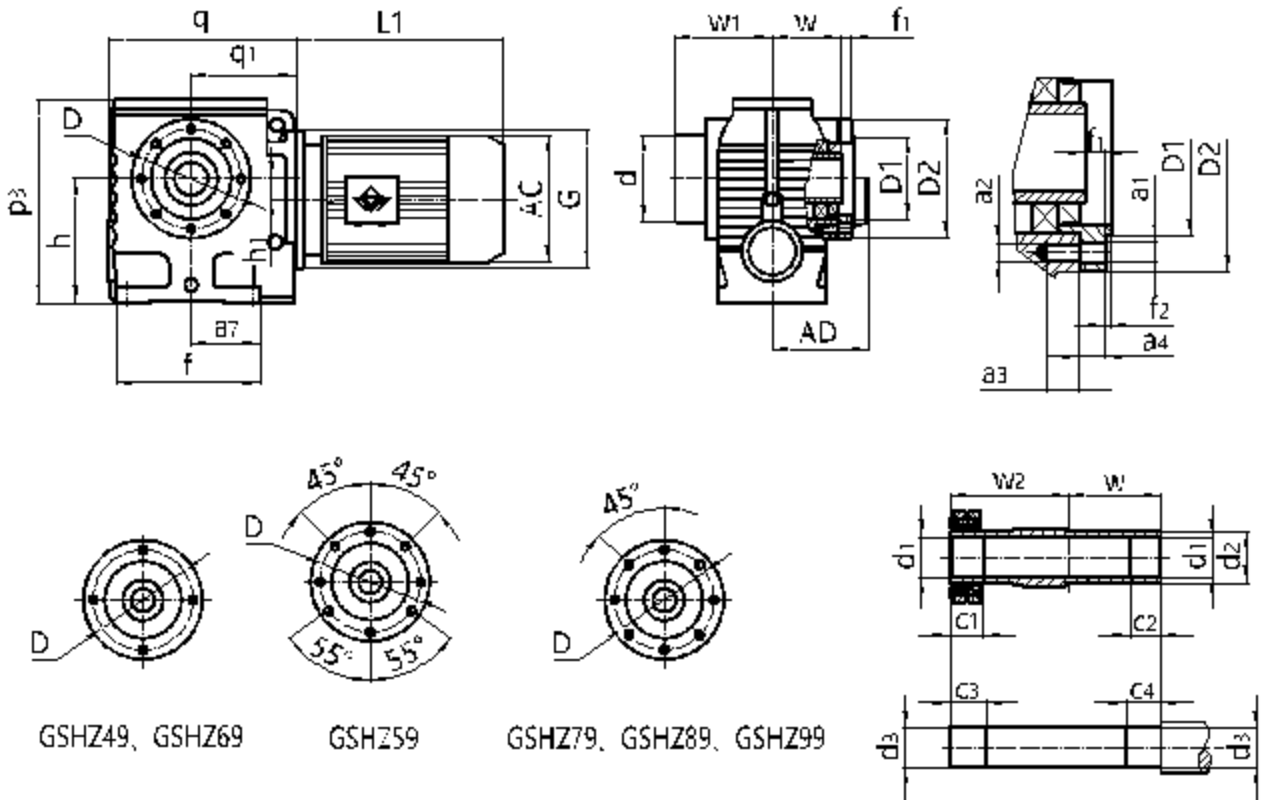
2.电机需方配或配特殊电机时需加联接法兰（见附录 D）

Note: 1.The dimensions don't include the height of the breathe valve.the height of the breathe valve is 17.

2.When equipping the user's motor or the special one, the flange is required to connected. (Please see appendix D)

GSHZ49-99
安装结构尺寸

GSHZ49-99
Mounting Dimensional Description



GSHZ49, GSHZ69

GSHZ59

GSHZ79, GSHZ89, GSHZ99

机型号 Type Size	d d ₁	d ₃ d ₂	q q ₁	h h ₁	p ₃ f	a ₇ f ₂	a ₂ f ₁	a ₃ a ₁	a ₄ D	D1 D2	c ₁ c ₂	c ₃ c ₄	w w ₁	w ₂ G	电机尺寸 Motor Size		
															AC	AD	L1
															见附录 A-2 和 A-3		
GSHZ49	Φ80 Φ30H7	Φ30h6 Φ45	175 96	100 _{-0.5} 8	181 127	67 3	M8 8.5	14 Φ9	11 Φ115	Φ95j6 Φ130	31 20	36 25	60 95	86 Φ120	见附录 A-2 和 A-3 Please see appendix A-2 and A-3		
GSHZ59	Φ88 Φ35H7	Φ35h6 Φ50	191 107	112 _{-0.5} 20	191 146	73 3	M8 8	15 Φ9	11 Φ102	Φ80j6 Φ120	32 20	37 25	75 110	102 Φ120			
GSHZ69	Φ102 Φ40H7	Φ40h6 Φ65	246 135	140 _{-0.5} 22	238 182	95.5 3.5	M12 9.5	20 Φ13	13 Φ130	Φ105j6 Φ155	38 20	43 25	84 120	112 Φ160			
GSHZ79	Φ127 Φ50H7	Φ50h6 Φ80	292 162	180 _{-0.5} 34	304 204	104 4	/ 14.5	/ M12	18.5 Φ155	Φ125j6 Φ178	36 30	41 35	105 146	136 Φ200			
GSHZ89	Φ157 Φ65H7	Φ65h6 Φ95	344 190	225 _{-0.5} 37.5	372 260	125 5	/ 18.5	/ M16	23.5 Φ180	Φ150j6 Φ215	40 40	45 45	125 176	165 Φ250			
GSHZ99	Φ171 Φ75H7	Φ75h6 Φ120	425 240	280 _{-1.0} 52	460 301	140 5	/ 18.5	/ M16	23.5 Φ220	Φ180j6 Φ260	55 50	60 55	145 204	190 Φ300			

注： 1.减速机部分的外形尺寸，未包含通气帽的高度尺寸。通气帽的高度尺寸为 17。

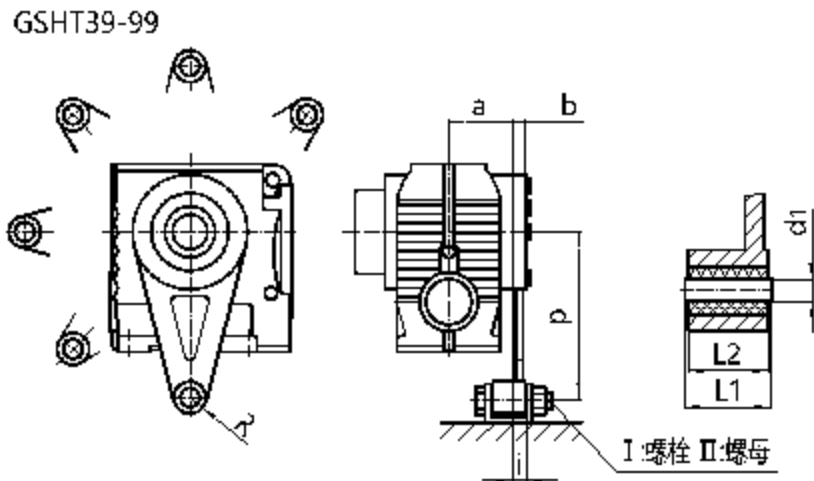
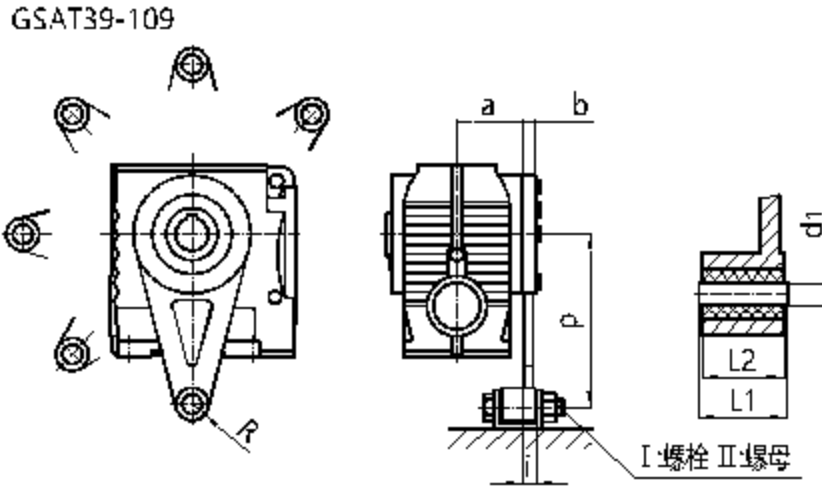
2.电机需方配或配特殊电机时需加联接法兰（见附录 D）

Note: 1.The dimensions don't include the height of the breathe valve.the height of the breathe valve is 17.

2.When equipping the user's motor or the special one, the flange is required to connected. (Please see appendix D)

GSAT39-109 (GSHT39-99)
安装结构尺寸

GSAT39-109 (GSHT39-99)
Mounting Dimensional Description



机型号 Type Size	a	b	i	p	R	d ₁	L1 _{-0.3} ⁰	L2
GSAT39/GSHT39	57	10	26	110	21	10.4 ^{+0.1} _{-0.1}	36	31
GSAT49/GSHT49	57.5	15	20.5	130	21	10.4 ^{+0.1} _{-0.1}	36	31
GSAT59/GSHT59	72	15	18.5	160	21	10.4 ^{+0.1} _{-0.1}	36	31
GSAT69/GSHT69	80.5	18	19.5	200	21	10.4 ^{+0.1} _{-0.1}	36	31
GSAT79/GSHT79	101	18	32.5	250	30	16.4 ^{+0.08} _{-0.08}	60	54
GSAT89/GSHT89	120	24	25.5	310	30	16.4 ^{+0.08} _{-0.08}	60	54
GSAT99/GSHT99	140	26	33	380	40	25 ^{+0.08} _{-0.08}	80	72
GSAT109	162	24	49	430	40	25 ^{+0.08} _{-0.08}	80	74

其它尺寸请按照 GSA/GSH 型。

注： 1. I：螺栓 II：螺母，均用户自配。

2.电机需方配或配特殊电机时需加联接法兰（见附录 D）

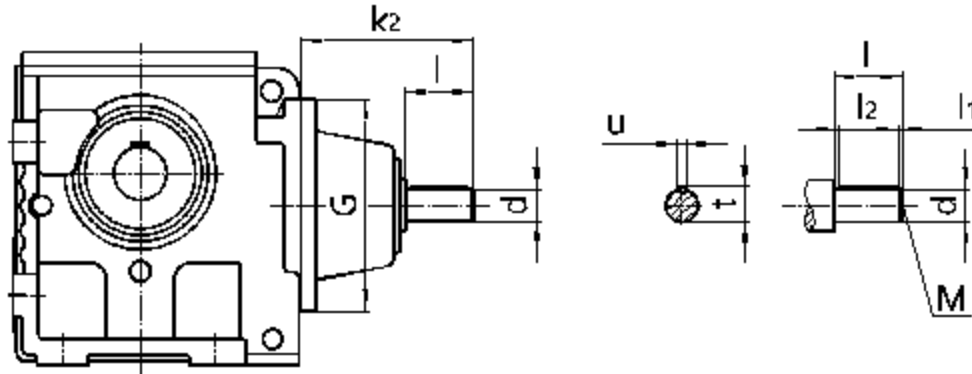
For other dimensions, see the type GSA/GSH.

Note: 1. Bolts I and nuts II are prepared by customers.

2. When equipping the user's motor or the special one, the flange is required to connected. (Please see appendix D)

GS..39-109AD1-6
安装结构尺寸

GS..39-109AD1-6
Mounting Dimensional Description



机型号 Type Size	规格 Specification	适用功率范围(kW)/4P Range Power	d	G	k2	l	M	l1	l2	t	u
GS..39/49/59	AD1	0.12-0.18	16k6	Φ120	130	40	M5	4	32	18	5
	AD2	0.25-3	19k6	Φ120	130	40	M6	4	32	21.5	6
GS..69	AD2	0.25-1.5	19k6	Φ160	149	40	M6	4	32	21.5	6
	AD3	2.2-5.5	24k6	Φ160	159	50	M8	5	40	27	8
GS..79	AD2	0.25-1.5	19k6	Φ200	184	40	M6	4	32	21.5	6
	AD3	2.2-4	24k6	Φ200	194	50	M8	5	40	27	8
	AD4	5.5-7.5	38k6	Φ200	224	80	M12	5	70	41	10
GS..89	AD2	0.75-1.5	19k6	Φ250	136	40	M6	4	32	21.5	6
	AD3	2.2-4	28k6	Φ250	156	60	M10	5	50	31	8
	AD4	5.5-7.5	38k6	Φ250	262	80	M12	5	70	41	10
	AD5	11-15	42k6	Φ250	292	110	M16	10	70	45	12
GS..99	AD3	1.5-4	28k6	Φ300	194	60	M10	5	50	31	8
	AD4	5.5-7.5	38k6	Φ300	214	80	M12	5	70	41	10
	AD5	11-22	42k6	Φ300	327	110	M16	10	70	45	12
GS..109	AD3	2.2-4	28k6	Φ350	188	60	M10	5	50	31	8
	AD4	5.5-7.5	38k6	Φ350	208	80	M12	5	70	41	10
	AD5	11-22	42k6	Φ350	321	110	M16	10	70	45	12
	AD6	30	48k6	Φ350	321	110	M16	10	80	51.5	14

其它尺寸请参照 GS 型。

注： 1. GSA/GSAF/GSF/GSAZ/GSH/GSHF/GSHZ 均可采用双轴型，并分别记为 GSA..AD... GSAF..AD... GSF..AD... GSAZ..AD... GSH..AD... GSHF..AD...和 GSHZ..AD...。

2. 通过联轴器联接，可直接参考上表功率范围；若电机和减速机之间是通过其他极数电机、齿轮、链轮、皮带轮等传动方式联接，需客户自行转换。

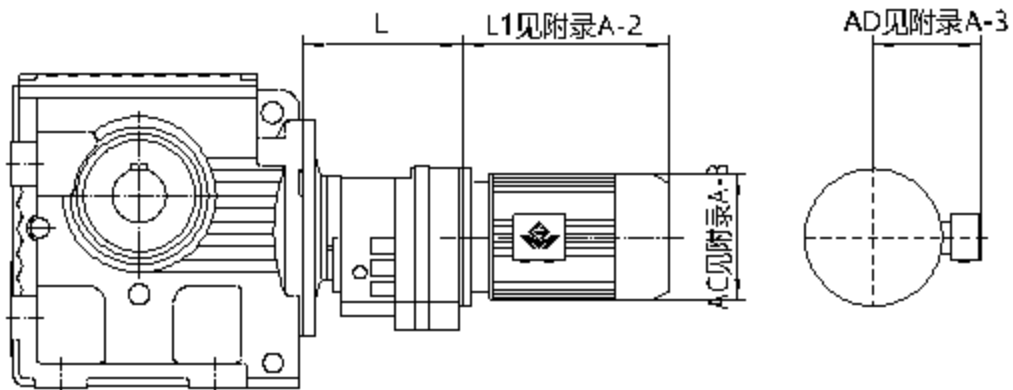
For other dimensions, see the type GS.

Note: 1. Double shafts type is also available for type GSA/GSAF/GSF/GSAZ/GSH/GSHF/GSHZ, and these double shafts types are respectively named type GSA..AD..., GSAF..AD..., GSF..AD..., GSAZ..AD..., GSH..AD..., GSHF..AD...and GSHZ..AD....

2. Applicable power refers to the input torque of 4 pole motor. If the connect way is coupling, can see the power range on the table directly, if the connect way is other pole motor, sprocket, belt pulley, need customers to convert by themselves.

GS..R..
安装结构尺寸

GS..R..
Mounting Dimensional Description



机型号 Type Size	机座号 Frame Size	L
GS..39R19	63	135
	71	
	80	
GS..49R19 GS..59R19	63	135
	71	
	80	
GS..69R39	63	163
	71	
	80	
GS..79R39	63	163
	71	
	80	
	90	
GS..89R59	63	216
	71	
	80	
	90	
	100	
GS..99R59	63	216
	71	
	80	
	90	
	100	
	112	
GS..109R79	63	251
	71	
	80	
	90	
	100	
	112	
	132	

注： 1.GSA/GSAF/GSF/GSAZ/GSH/GSHF/GSHZ 均可采用串联组合机型。

2.电机需方配或配特殊电机时需加联接法兰（见附录 D）

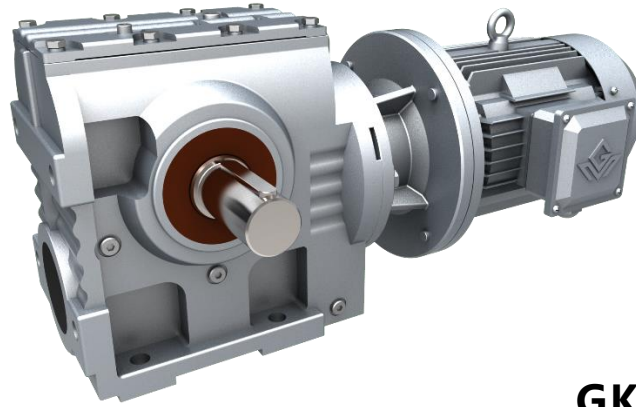
Note: 1.Combined type is also available for type GSA/GSAF/GSF/GSAZ/GSH/GSHF/GSHZ.

2.When equipping the user's motor or the special one, the flange is required to connected. (Please see appendix D)

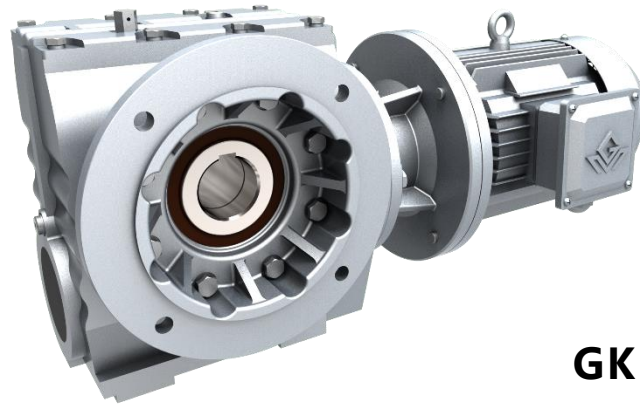
GK Series Helical-Bevel Geared Motors

**GK
系列**

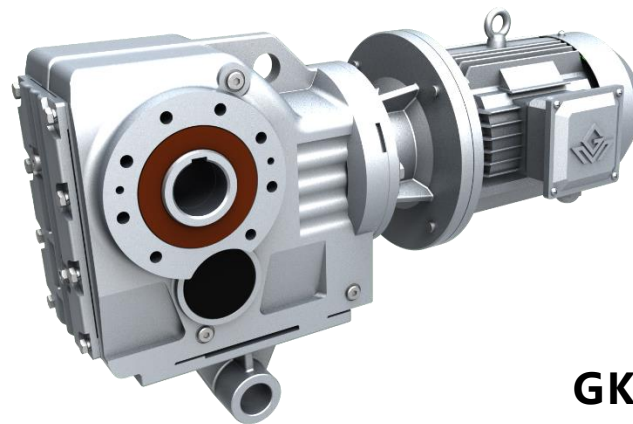
**斜
齿
轮
—
弧
齿
锥
齿
轮
减
速
电
机**



GK..



GKF..



GKA/T..

GK 系列 斜齿轮-弧齿锥齿轮减速电机

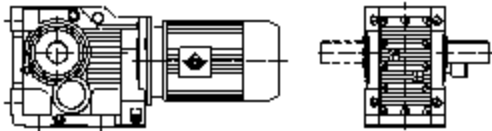
结构形式说明 Dimensional Description

GK 系列输出轴垂直于输入轴，由二级斜齿轮和一级弧齿锥齿轮构成。

Output shafts of GK series geared motors are vertical to input shafts. Each units consist of two stages helical gears and one stage bevel gears.

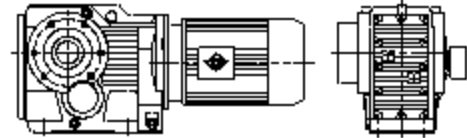
1.GK 型： 底脚安装，输出轴为实心轴。

Type GK: Foot mounted. Solid output shaft.



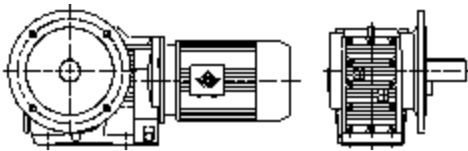
7.GKH 型： 空心轴锁紧盘安装。

Type GKH: Hollow shaft and shrink disk.



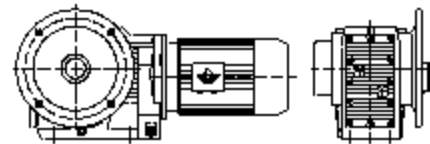
2.GKF 型： B5 法兰安装，输出轴为实心轴。

Type GKF: B5 flange-mounted. Solid output shaft.



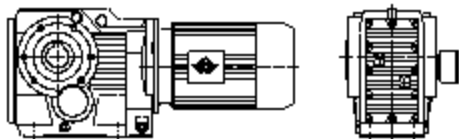
8.GKHF 型： B5 法兰，空心轴锁紧盘安装。

Type GKHF: B5 flange-mounted version with hollow shaft and shrink disk.



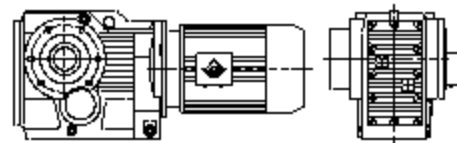
3.GKA 型： 轴装式，输出轴为空心轴。

Type GKA: Shaft mounted. Hollow output shaft.



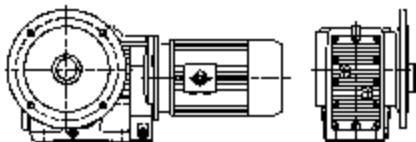
9.GKHZ 型： B14 法兰，空心轴锁紧盘安装。

Type GKHZ: B14 flange-mounted version with hollow shaft and shrink disk.



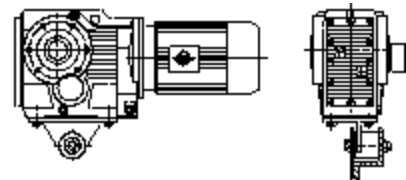
4.GKAF 型： B5 法兰安装，输出轴为空心轴。

Type GKAF: B5 flange-mounted. Hollow output shaft.



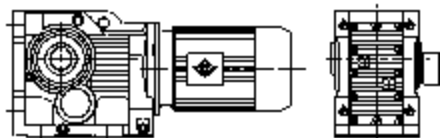
10.GKAT 型/GKHT 型： 防转臂安装

Type GKAT/GKHT: Torque arm mounted.



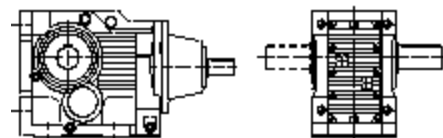
5.GKAB/GKHB 型： 用 GK 型箱体，输出轴为空心轴。

Type GKAB/GKHB: Housings of type GK are used. Hollow output shaft.



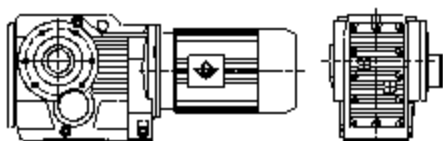
11.GK..AD..型： 输入轴型。

Type GK..AD..: Input shaft types.



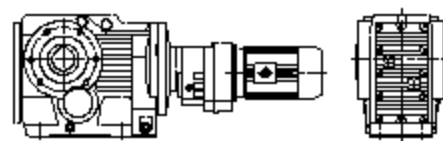
6.GKAZ 型： B14 法兰，空心轴安装。

Type GKAZ: B14 flange-mounted version with hollow shaft.

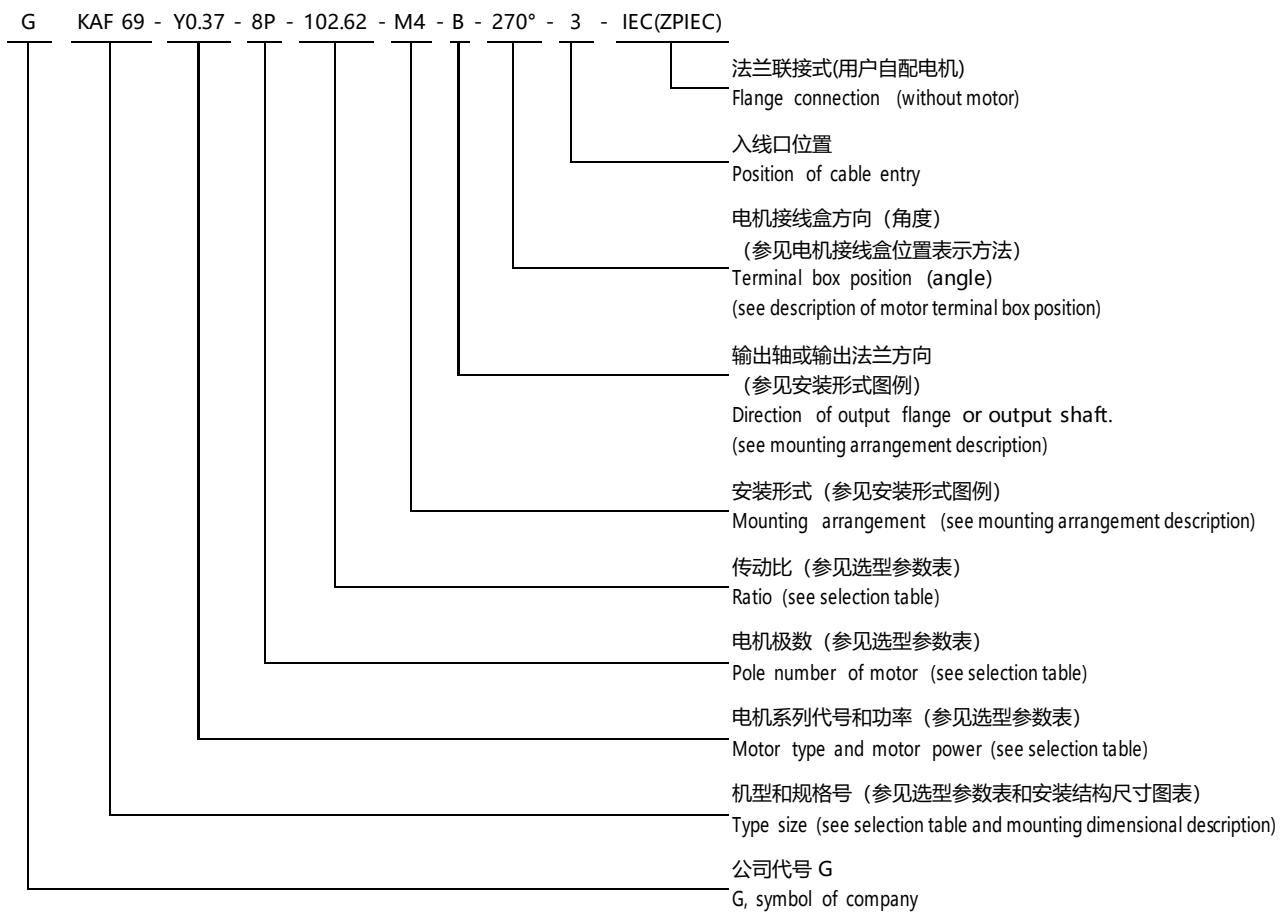


12.GK..R 型： GK 系列和 GR 系列的组合。

Type GK..R: Combined types of type GK and type GR.



GK 系列机型号表示方法 Type Expression of GK Series

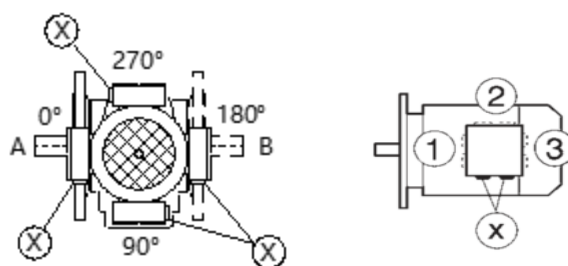


- 注: 1、需带联接法兰时请注明 IEC。
2、输入轴型没有电机各项内容。
3、不注明减速机的安装形式时, 则默认为安装形式中的 M1 位置。不注明接线盒方向时, 则默认为安装形式中的 0 度位置。不注明入线口位置时, 则默认为 X 位置。
4、对输出轴旋转方向和输入轴旋转方向有特别要求的用户, 请与技术部联系, 并在订货时用简图或文字说明。

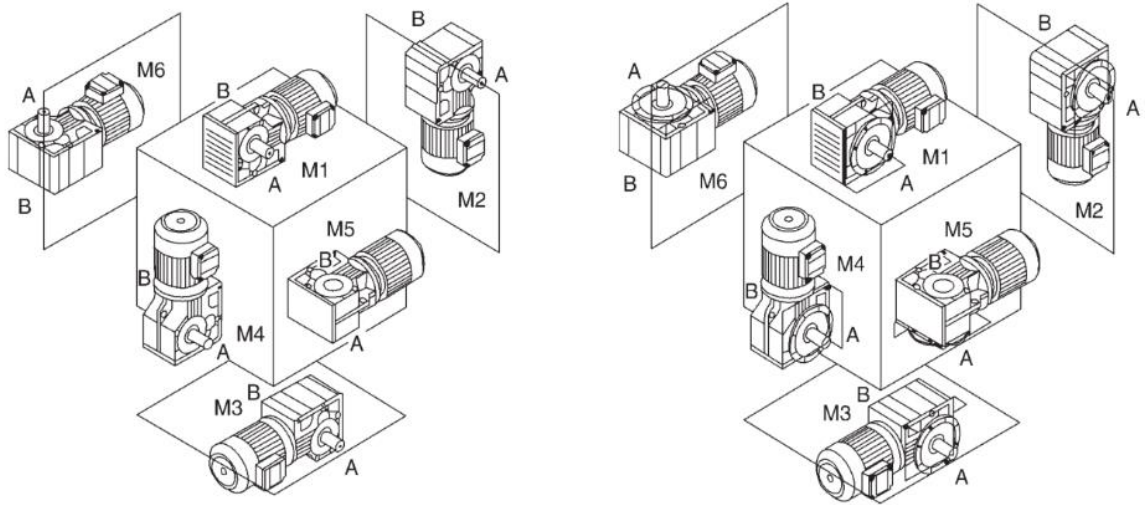
- Note: 1、Please make a note, if it needs connecting flange.
2、Contents of motors for input shaft types are not listed.
3、It is M1, When the mounting arrangement of the reducer is not mentioned. Degree=0°, if terminal box position is not mentioned. It is X, if cable entry position is not mentioned.
4、If specific rotation directions of output shaft or/and input shaft are specially requested, please contact our technology department, and make detailed description while placing order.

电机接线盒位置及入线口位置表示方法

Description of Motor Terminal Box Position and Cable Entry Position



安装形式图例 Mounting Arrangements Description



安装形式定义:

M1-电机水平放置; 减速机底脚朝下。

M2-电机居下。

M3-电机水平放置; 减速机底脚朝上。

M4-电机居上。

M5-电机水平放置; 当减速机在 M1 安装位置时, 从电机方向看, 减速机的左面旋转到下方位置。

M6-电机水平放置; 当减速机在 M1 安装位置时, 从电机方向看, 减速机的左面旋转到上方位置。

Mounting arrangements are defined as following:

M1-horizontally mounted motor,unit base is at bottom.

M2-motor is vertically mounted downwards.

M3-horizontally mounted motor,unit base is top.

M4-motor is vertically mounted upwards.

M5-horizontally mounted motor,if placed on M1 position,left side of unit turns to bottom(view point:towards from motor side).

M6-horizontally mounted motor,if placed on M1 position,left side of unit turns to top(view point:towards from motor side).

减速机重量 Gear Unit Weight

机型号 Type size	GK39	GK49	GK59	GK69	GK79	GK89	GK99	GK109	GK129	GK159	GK169	GK189
重量(kg) Weight	14	21	28	32	54	93	153	270	403	630	1122	1630

注:重量为平均值, 不包括电机、联接法兰, 仅供参考。

(Note: The weights mean values without the motor and IEC flange, only for reference.)

选型参数表注释 Description of Selection Table

恒功率 Constant power

n_a [r/min]	M_a [N.m]	i	F_{Ra} [kN]	f_B	机型号 Type size	极数 Pole
↓	↓	↓	↓	↓		
输出转速 Output speed	输出转矩 Output torque	减速比 Ratio	许用径向载荷 Permissible radial load	使用系数 Service factor		

恒转矩 Constant torque

M_{max} [N.m]	n_a [r/min]	i	F_{Ra} [kN]	机型号 Type size	P [kW]/4P
↓	↓	↓	↓		↓
最大输出转矩 Max.output torque	输出转速 Output speed	减速比 ratio	许用径向载荷 Permissible radial load		电机功率 Motor power

**选型参数表
(恒功率)**
**Selection Table
(Constant Power)**

n_a [r/min]	M_a [N.m]	i	F_{Ra} [kN]	f_B	机型号 Type size	极数 Pole	n_a [r/min]	M_a [N.m]	i	F_{Ra} [kN]	f_B	机型号 Type size	极数 Pole
0.12kW							0.12kW						
0.07	13856	17550	76	1.00	GK129R79 GKF129R79 GKA129R79 GKAF129R79	4P	1.42	726	920	19	2.25	GK79R39	4P
0.08	12637	16006	76	1.10			GKF79R39						
0.09	11823	14975	77	1.20			GKA79R39						
0.11	9822	12440	77	1.40			GKAF79R39						
0.12	8617	10914	78	1.60									
0.13	7752	9819	78	1.80									
0.16	6666	8443	78	2.10									
0.18	5908	7483	78	2.40									
0.09	11299	14311	62	0.80	GK109R79 GKF109R79 GKA109R79 GKAF109R79	4P	0.97	1067	1351	8.8	0.80	GK69R39 GKF69R39 GKA69R39 GKAF69R39	4P
0.11	9641	12211	62	0.90			1.1	925	1171	10	0.95		
0.12	8430	10678	62	1.00			1.3	816	1034	11	1.05		
0.14	7519	9524	62	1.15			1.5	713	903	11	1.20		
0.16	6575	8328	62	1.30			1.7	626	793	12	1.40		
0.18	5739	7269	62	1.45			1.9	550	697	12	1.60		
0.21	4882	6184	62	1.75			2.1	484	613	12	1.80		
0.23	4470	5662	62	1.90			2.4	428	542	12	2.05		
0.25	4057	5138	62	2.10			2.8	372	471	12	2.35		
0.30	3442	4360	62	2.50			3.1	332	420	12	2.60		
0.16	6360	8055	38	0.80	3.6	285	361	12	3.05	GK59R39 GKF59R39 GKA59R39 GKAF59R39	4P		
0.19	5502	6969	38	0.85	4.1	255	323	12	3.40				
0.22	4758	6027	38	0.95	4.7	220	279	12	3.95				
0.24	4257	5392	38	1.05	5.3	194	246	12	4.50				
0.28	3686	4669	38	1.25	6.0	171	217	12	5.10				
0.32	3222	4081	38	1.40	1.4	715	906	7.4	0.90				
0.37	2829	3583	38	1.60	1.6	636	806	7.8	1.00				
0.42	2454	3108	38	1.85	1.9	552	699	8.3	1.15				
0.48	2176	2756	38	2.10	2.1	486	615	8.5	1.30				
0.54	1910	2419	38	2.50	2.4	429	544	8.7	1.50				
0.62	1676	2123	38	2.70	2.8	373	473	8.8	1.70				
0.71	1465	1856	38	3.10	3.1	332	421	8.9	1.90				
0.81	1283	1625	38	3.55	3.6	286	362	9.0	2.25				
0.92	1129	1430	38	4.05	4.1	252	319	9.1	2.55				
1.04	996	1261	38	4.60	4.7	221	280	9.2	2.90				
1.19	870	1102	38	5.25	5.3	194	246	9.3	3.30				
0.25	4136	5239	25	0.80	6.1	170	215	9.3	3.75				
0.29	3602	4562	26	0.80	6.8	152	192	9.4	4.20				
0.32	3187	4037	26	0.90	2.1	505	639	2.4	0.85				
0.36	2849	3609	26	1.00	2.4	436	552	6.0	0.95				
0.42	2452	3106	27	1.15	2.6	391	495	6.6	1.10				
0.48	2154	2728	27	1.35	3.1	336	426	6.9	1.25				
0.55	1872	2371	27	1.55	3.5	296	375	7.2	1.45				
0.63	1648	2087	27	1.75	4.0	258	327	7.3	1.65				
0.71	1464	1854	27	1.95	4.5	228	289	7.4	1.85				
0.79	1309	1658	27	2.20	3.8	273	346	4.6	0.80				
0.93	1117	1415	27	2.55	4.3	240	304	5.4	0.90				
1.07	970	1229	27	2.95	4.9	211	267	5.5	1.00				
1.22	851	1078	27	3.35	5.6	185	234	5.8	1.15				
1.38	751	951	28	3.80	6.4	162	205	5.9	1.30				
1.57	661	837	28	4.35	7.2	143	181	6.0	1.50				
1.80	573	726	28	5.00	8.2	126	160	6.1	1.70				
					9.6	107	136	6.2	2.00				
0.48	2136	2706	13	0.80	GK79R39 GKF79R39 GKA79R39 GKAF79R39	4P	5.9	185	144.79	12	4.40	GK69 GKF69 GKA69 GKAF69	6P*
0.56	1863	2360	15	0.90									
0.64	1611	2041	16	1.00	GK79R39 GKF79R39 GKA79R39 GKAF79R39	4P	5.9	186	145.15	9.2	3.20	GK59 GKF59 GKA59 GKAF59	6P*
0.74	1393	1764	17	1.15			6.9	159	123.85	9.3	3.80		
0.87	1191	1508	17	1.35			7.8	139	108.29	9.3	4.30		
0.95	1091	1382	18	1.50			8.3	132	102.88	9.3	4.60		
1.08	958	1213	18	1.70			9.4	116	90.26	9.4	5.20		
1.25	827	1048	18	1.95			11	98	76.56	9.4	6.20		

*0.12kW (6P) 电机需特制。*0.12kW motor of 6 poles needs to be specially requested and then manufactured.

**选型参数表
(恒功率)**
**Selection Table
(Constant Power)**

n_a [r/min]	M_a [N.m]	i	F_{Ra} [kN]	f_B	机型号 Type size	极数 Pole	n_a [r/min]	M_a [N.m]	i	F_{Ra} [kN]	f_B	机型号 Type size	极数 Pole																																																																																																																																																																																																																																																																																																																																																																																																																																																																																																																																																																																																																			
0.12kW							0.18kW																																																																																																																																																																																																																																																																																																																																																																																																																																																																																																																																																																																																																									
9	121	145.15	9.4	5.00	GK59	4P	0.28	5529	4669	38	0.85	GK99R59	4P																																																																																																																																																																																																																																																																																																																																																																																																																																																																																																																																																																																																																			
11	103	123.85	9.4	5.80	GKF59		12	90	108.29	9.5	6.70	GKA59		13	86	102.88	9.5	7.00	GKAF59	15	75	90.26	9.5	8.00		6.4	169	131.87	7.5	2.40	GK49	6P*	0.54	2865	2419	38	1.60	GK99R59 GKF99R59 GKA99R59 GKAF99R59	7.0	156	121.48	7.6	2.60	GKF49	8.1	134	104.37	7.7	3.00	GKA49 GKAF49	9.9	110	131.87	7.7	3.70	GK49	4P	0.62	2514	2123	38	1.80	11	101	121.48	7.8	4.00	GKF49 GKA49 GKAF49	0.71	2198	1856	38	2.10	8.0	136	106.38	5.9	1.50	GK39	6P*	0.81	1924	1625	38	2.35	8.7	125	97.81	6.0	1.60	GKF39	0.92	1694	1430	38	2.70	10	107	83.69	6.1	1.90	GKA39	1.04	1493	1261	38	3.05	12	93	72.54	6.2	2.20	GKAF39	1.19	1305	1102	38	3.50	12	88	106.38	6.2	2.30		1.37	1133	957	38	4.05	13	81	97.81	6.2	2.50	GK39 GKF39 GKA39 GKAF39	4P	1.53	1013	855	38	4.50	16	70	83.69	6.2	2.90	1.76	880	743	38	5.20	18	60	72.54	6.3	3.30	2.01	771	651	38	5.90	19	56	67.80	6.3	3.50	0.42	3678	3106	25	0.80	22	49	58.60	6.1	4.10	0.48	3231	2728	26	0.90	26	41	49.79	5.8	4.80	0.55	2808	2371	26	1.00	29	37	44.46	5.6	5.40	0.63	2472	2087	26	1.15	35	32	37.97	5.4	6.30	0.71	2196	1854	27	1.30	37	30	35.57	5.3	6.80	0.79	1964	1658	27	1.45	44	25	29.96	5.0	8.00	0.93	1676	1415	27	1.70	45	24	28.83	4.9	8.40	1.1	1455	1229	27	1.95	52	21	24.99	4.7	9.60	1.2	1277	1078	27	2.25	56	19	23.36	4.6	10	1.4	1126	951	27	2.55	65	17	20.19	4.4	11	1.6	991	837	27	2.90	76	14	17.15	4.2	13	1.8	860	726	27	3.35	86	13	15.32	4.1	14	0.87	1786	1508	14	0.90	100	11	13.08	3.9	15	0.95	1637	1382	15	1.00	108	10	12.14	3.8	16	1.1	1437	1213	16	1.15	0.18kW							0.18kW							0.09	17734	14975	70	0.80	GK129R79 GKF129R79 GKA129R79 GKAF129R79	4P	1.3	1241	1048	17	1.30	0.11	14732	12440	75	0.95	1.4	1090	920	17	1.50	0.12	12925	10914	76	1.10	1.6	962	812	18	1.70	0.13	11628	9819	76	1.20	1.9	836	706	18	1.95	0.16	9999	8443	77	1.40	2.1	734	620	18	2.25	0.18	8862	7483	77	1.60	2.4	651	550	19	2.50	0.20	7775	6565	78	1.80	2.7	572	483	19	2.85	0.23	6874	5804	78	2.00	3.1	505	426	19	3.25	0.26	5953	5027	78	2.35	3.6	433	366	19	3.75	0.30	5238	4423	78	2.70	1.5	1069	903	5.4	0.80	0.34	4606	3889	78	3.00	1.7	939	793	9.1	0.95	0.40	3921	3311	78	3.55	1.9	825	697	10	1.05	0.16	9863	8328	62	0.85	2.1	726	613	11	1.20	0.18	8608	7269	62	1.00	2.4	642	542	11	1.35	0.21	7324	6184	62	1.15	2.8	558	471	12	1.55	0.23	6705	5662	62	1.25	3.1	497	420	12	1.75	0.25	6085	5138	62	1.40	3.6	428	361	12	2.05	0.30	5163	4360	62	1.65	4.1	383	323	12	2.25	0.34	4513	3811	62	1.90	4.7	330	279	12	2.65	0.39	3977	3358	62	2.15	2.1	728	615	5.3	0.90	0.44	3526	2977	62	2.40	2.4	644	544	7.4	1.00	0.50	3077	2598	62	2.75	2.8	560	473	7.9	1.15	0.57	2707	2286	62	3.15	3.1	499	421	8.2	1.30						3.6	429	362	8.5	1.50						4.1	378	319	8.6	1.70						4.7	332	280	8.8	1.90						5.3	291	246	8.9	2.20						6.1	255	215	9.1	2.50	
12	90	108.29	9.5	6.70	GKA59		13	86	102.88	9.5	7.00	GKAF59		15	75	90.26	9.5	8.00		6.4	169	131.87	7.5	2.40	GK49	6P*	0.54	2865	2419	38	1.60		GK99R59 GKF99R59 GKA99R59 GKAF99R59	7.0	156	121.48	7.6		2.60	GKF49	8.1	134	104.37	7.7	3.00	GKA49 GKAF49	9.9	110	131.87	7.7	3.70	GK49	4P	0.62	2514	2123		38	1.80	11	101	121.48	7.8	4.00	GKF49 GKA49 GKAF49	0.71	2198	1856	38	2.10	8.0	136	106.38	5.9	1.50	GK39	6P*	0.81	1924		1625	38	2.35	8.7	125	97.81	6.0	1.60	GKF39	0.92	1694	1430	38	2.70	10	107	83.69	6.1	1.90	GKA39	1.04	1493	1261	38	3.05	12	93	72.54	6.2	2.20	GKAF39	1.19	1305	1102	38	3.50	12	88	106.38	6.2	2.30		1.37	1133	957	38	4.05	13	81	97.81	6.2	2.50	GK39 GKF39 GKA39 GKAF39	4P			1.53	1013	855	38	4.50	16	70	83.69	6.2	2.90	1.76	880	743	38	5.20	18	60	72.54	6.3	3.30	2.01	771	651	38	5.90	19	56	67.80	6.3	3.50	0.42	3678	3106	25	0.80	22	49	58.60	6.1	4.10	0.48	3231	2728	26	0.90	26	41	49.79	5.8	4.80	0.55	2808	2371	26	1.00	29	37	44.46	5.6	5.40	0.63	2472	2087	26	1.15	35	32	37.97	5.4	6.30	0.71	2196	1854	27	1.30	37	30	35.57	5.3	6.80	0.79	1964	1658	27	1.45	44	25	29.96	5.0	8.00	0.93	1676	1415	27	1.70	45	24	28.83	4.9	8.40	1.1	1455	1229	27	1.95	52	21	24.99	4.7	9.60	1.2	1277	1078	27	2.25	56	19	23.36	4.6	10	1.4	1126	951	27	2.55	65	17	20.19	4.4	11	1.6	991	837	27	2.90	76	14	17.15	4.2	13	1.8	860	726	27	3.35	86	13	15.32	4.1	14	0.87	1786	1508	14	0.90	100	11	13.08	3.9	15	0.95	1637	1382	15	1.00	108	10	12.14	3.8	16	1.1	1437	1213	16	1.15	0.18kW							0.18kW							0.09	17734	14975	70	0.80			GK129R79 GKF129R79 GKA129R79 GKAF129R79	4P	1.3	1241	1048	17	1.30	0.11	14732	12440	75	0.95	1.4	1090	920	17	1.50	0.12	12925	10914	76	1.10	1.6	962	812	18	1.70	0.13	11628	9819	76	1.20	1.9	836	706	18	1.95	0.16	9999	8443	77	1.40	2.1	734	620	18	2.25	0.18	8862	7483	77	1.60	2.4	651	550	19	2.50	0.20	7775	6565	78	1.80	2.7	572	483	19	2.85	0.23	6874	5804	78	2.00	3.1	505	426	19	3.25	0.26	5953	5027	78	2.35	3.6	433	366	19	3.75	0.30	5238	4423	78	2.70	1.5	1069	903	5.4	0.80	0.34	4606	3889	78	3.00	1.7	939	793	9.1	0.95	0.40	3921	3311	78	3.55	1.9	825	697	10	1.05	0.16	9863	8328	62	0.85	2.1	726	613	11	1.20	0.18	8608	7269	62	1.00	2.4	642	542	11	1.35	0.21	7324	6184	62	1.15	2.8	558	471	12	1.55	0.23	6705	5662	62	1.25	3.1	497	420	12	1.75	0.25	6085	5138	62	1.40	3.6	428	361	12	2.05	0.30	5163	4360	62	1.65	4.1	383	323	12	2.25	0.34	4513	3811	62	1.90	4.7	330	279	12	2.65	0.39	3977	3358	62	2.15	2.1	728	615	5.3	0.90	0.44	3526	2977	62	2.40	2.4	644	544	7.4	1.00	0.50	3077	2598	62	2.75	2.8	560	473	7.9	1.15	0.57	2707	2286	62	3.15	3.1	499	421	8.2	1.30						3.6	429	362	8.5	1.50						4.1	378	319	8.6	1.70						4.7	332	280	8.8	1.90						5.3	291	246	8.9	2.20						6.1	255	215	9.1
13	86	102.88	9.5	7.00	GKAF59		15	75	90.26	9.5	8.00			6.4	169	131.87	7.5	2.40	GK49	6P*	0.54	2865	2419	38	1.60		GK99R59 GKF99R59 GKA99R59 GKAF99R59	7.0	156	121.48	7.6			2.60	GKF49	8.1	134		104.37	7.7	3.00	GKA49 GKAF49	9.9	110	131.87	7.7	3.70	GK49	4P	0.62	2514	2123		38	1.80	11	101	121.48	7.8	4.00	GKF49 GKA49 GKAF49	0.71	2198	1856	38	2.10	8.0	136	106.38	5.9	1.50	GK39	6P*	0.81	1924	1625		38	2.35		8.7	125	97.81	6.0	1.60	GKF39	0.92	1694	1430	38	2.70	10	107	83.69	6.1	1.90	GKA39	1.04	1493	1261	38	3.05	12	93	72.54	6.2	2.20	GKAF39	1.19	1305	1102	38	3.50	12	88	106.38	6.2	2.30		1.37	1133	957	38	4.05	13	81	97.81	6.2	2.50	GK39 GKF39 GKA39 GKAF39	4P	1.53					1013	855	38	4.50	16	70	83.69	6.2	2.90	1.76	880	743	38	5.20	18	60	72.54	6.3	3.30	2.01	771	651	38	5.90	19	56	67.80	6.3	3.50	0.42	3678	3106	25	0.80	22	49	58.60	6.1	4.10	0.48	3231	2728	26	0.90	26	41	49.79	5.8	4.80	0.55	2808	2371	26	1.00	29	37	44.46	5.6	5.40	0.63	2472	2087	26	1.15	35	32	37.97	5.4	6.30	0.71	2196	1854	27	1.30	37	30	35.57	5.3	6.80	0.79	1964	1658	27	1.45	44	25	29.96	5.0	8.00	0.93	1676	1415	27	1.70	45	24	28.83	4.9	8.40	1.1	1455	1229	27	1.95	52	21	24.99	4.7	9.60	1.2	1277	1078	27	2.25	56	19	23.36	4.6	10	1.4	1126	951	27	2.55	65	17	20.19	4.4	11	1.6	991	837	27	2.90	76	14	17.15	4.2	13	1.8	860	726	27	3.35	86	13	15.32	4.1	14	0.87	1786	1508	14	0.90	100	11	13.08	3.9	15	0.95	1637	1382	15	1.00	108	10	12.14	3.8	16	1.1	1437	1213	16	1.15	0.18kW							0.18kW							0.09	17734	14975	70	0.80	GK129R79 GKF129R79 GKA129R79 GKAF129R79					4P	1.3	1241	1048	17	1.30	0.11	14732	12440	75	0.95	1.4	1090	920	17	1.50	0.12	12925	10914	76	1.10	1.6	962	812	18	1.70	0.13	11628	9819	76	1.20	1.9	836	706	18	1.95	0.16	9999	8443	77	1.40	2.1	734	620	18	2.25	0.18	8862	7483	77	1.60	2.4	651	550	19	2.50	0.20	7775	6565	78	1.80	2.7	572	483	19	2.85	0.23	6874	5804	78	2.00	3.1	505	426	19	3.25	0.26	5953	5027	78	2.35	3.6	433	366	19	3.75	0.30	5238	4423	78	2.70	1.5	1069	903	5.4	0.80	0.34	4606	3889	78	3.00	1.7	939	793	9.1	0.95	0.40	3921	3311	78	3.55	1.9	825	697	10	1.05	0.16	9863	8328	62	0.85	2.1	726	613	11	1.20	0.18	8608	7269	62	1.00	2.4	642	542	11	1.35	0.21	7324	6184	62	1.15	2.8	558	471	12	1.55	0.23	6705	5662	62	1.25	3.1	497	420	12	1.75	0.25	6085	5138	62	1.40	3.6	428	361	12	2.05	0.30	5163	4360	62	1.65	4.1	383	323	12	2.25	0.34	4513	3811	62	1.90	4.7	330	279	12	2.65	0.39	3977	3358	62	2.15	2.1	728	615	5.3	0.90	0.44	3526	2977	62	2.40	2.4	644	544	7.4	1.00	0.50	3077	2598	62	2.75	2.8	560	473	7.9	1.15	0.57	2707	2286	62	3.15	3.1	499	421	8.2	1.30						3.6	429	362	8.5	1.50						4.1	378	319	8.6	1.70						4.7	332	280	8.8	1.90						5.3	291	246	8.9	2.20						6.1	255	215
15	75	90.26	9.5	8.00			6.4	169	131.87	7.5	2.40	GK49		6P*	0.54	2865	2419	38	1.60		GK99R59 GKF99R59 GKA99R59 GKAF99R59	7.0	156	121.48	7.6			2.60	GKF49	8.1	134	104.37		7.7	3.00	GKA49 GKAF49	9.9		110	131.87	7.7	3.70	GK49	4P	0.62	2514	2123	38		1.80	11	101	121.48	7.8	4.00	GKF49 GKA49 GKAF49	0.71	2198	1856	38	2.10	8.0	136	106.38	5.9	1.50	GK39	6P*	0.81	1924	1625	38		2.35	8.7	125		97.81	6.0		1.60	GKF39	0.92	1694	1430	38	2.70	10	107	83.69	6.1	1.90	GKA39	1.04	1493	1261	38	3.05	12	93	72.54	6.2	2.20	GKAF39	1.19	1305	1102	38	3.50	12	88	106.38	6.2	2.30		1.37	1133	957	38	4.05	13	81	97.81	6.2	2.50	GK39 GKF39 GKA39 GKAF39	4P	1.53	1013			855					38	4.50	16	70	83.69	6.2	2.90	1.76	880	743	38	5.20	18	60	72.54	6.3	3.30	2.01	771	651	38	5.90	19	56	67.80	6.3	3.50	0.42	3678	3106	25	0.80	22	49	58.60	6.1	4.10	0.48	3231	2728	26	0.90	26	41	49.79	5.8	4.80	0.55	2808	2371	26	1.00	29	37	44.46	5.6	5.40	0.63	2472	2087	26	1.15	35	32	37.97	5.4	6.30	0.71	2196	1854	27	1.30	37	30	35.57	5.3	6.80	0.79	1964	1658	27	1.45	44	25	29.96	5.0	8.00	0.93	1676	1415	27	1.70	45	24	28.83	4.9	8.40	1.1	1455	1229	27	1.95	52	21	24.99	4.7	9.60	1.2	1277	1078	27	2.25	56	19	23.36	4.6	10	1.4	1126	951	27	2.55	65	17	20.19	4.4	11	1.6	991	837	27	2.90	76	14	17.15	4.2	13	1.8	860	726	27	3.35	86	13	15.32	4.1	14	0.87	1786	1508	14	0.90	100	11	13.08	3.9	15	0.95	1637	1382	15	1.00	108	10	12.14	3.8	16	1.1	1437	1213	16	1.15	0.18kW							0.18kW							0.09	17734	14975	70	0.80	GK129R79 GKF129R79 GKA129R79 GKAF129R79	4P							1.3	1241	1048	17	1.30	0.11	14732	12440	75	0.95	1.4	1090	920	17	1.50	0.12	12925	10914	76	1.10	1.6	962	812	18	1.70	0.13	11628	9819	76	1.20	1.9	836	706	18	1.95	0.16	9999	8443	77	1.40	2.1	734	620	18	2.25	0.18	8862	7483	77	1.60	2.4	651	550	19	2.50	0.20	7775	6565	78	1.80	2.7	572	483	19	2.85	0.23	6874	5804	78	2.00	3.1	505	426	19	3.25	0.26	5953	5027	78	2.35	3.6	433	366	19	3.75	0.30	5238	4423	78	2.70	1.5	1069	903	5.4	0.80	0.34	4606	3889	78	3.00	1.7	939	793	9.1	0.95	0.40	3921	3311	78	3.55	1.9	825	697	10	1.05	0.16	9863	8328	62	0.85	2.1	726	613	11	1.20	0.18	8608	7269	62	1.00	2.4	642	542	11	1.35	0.21	7324	6184	62	1.15	2.8	558	471	12	1.55	0.23	6705	5662	62	1.25	3.1	497	420	12	1.75	0.25	6085	5138	62	1.40	3.6	428	361	12	2.05	0.30	5163	4360	62	1.65	4.1	383	323	12	2.25	0.34	4513	3811	62	1.90	4.7	330	279	12	2.65	0.39	3977	3358	62	2.15	2.1	728	615	5.3	0.90	0.44	3526	2977	62	2.40	2.4	644	544	7.4	1.00	0.50	3077	2598	62	2.75	2.8	560	473	7.9	1.15	0.57	2707	2286	62	3.15	3.1	499	421	8.2	1.30						3.6	429	362	8.5	1.50						4.1	378	319	8.6	1.70						4.7	332	280	8.8	1.90						5.3	291	246	8.9	2.20						6.1	255	215
6.4	169	131.87	7.5	2.40	GK49	6P*	0.54	2865	2419	38	1.60	GK99R59 GKF99R59 GKA99R59 GKAF99R59																																																																																																																																																																																																																																																																																																																																																																																																																																																																																																																																																																																																																				
7.0	156	121.48	7.6	2.60	GKF49		8.1	134	104.37	7.7	3.00		GKA49 GKAF49		9.9	110	131.87	7.7	3.70	GK49		4P	0.62	2514	2123	38		1.80	11	101	121.48	7.8		4.00	GKF49 GKA49 GKAF49	0.71	2198		1856	38	2.10	8.0	136	106.38	5.9	1.50	GK39	6P*	0.81	1924	1625	38	2.35	8.7	125	97.81	6.0	1.60	GKF39	0.92	1694	1430	38	2.70	10	107	83.69		6.1	1.90	GKA39	1.04		1493	1261	38		3.05	12	93	72.54	6.2	2.20	GKAF39	1.19	1305	1102	38	3.50	12	88	106.38	6.2	2.30		1.37	1133	957	38	4.05	13	81	97.81	6.2	2.50	GK39 GKF39 GKA39 GKAF39	4P	1.53	1013	855	38	4.50	16	70	83.69	6.2	2.90	1.76	880	743	38	5.20	18	60	72.54			6.3	3.30			2.01					771	651	38	5.90	19	56	67.80	6.3	3.50	0.42	3678	3106	25	0.80	22	49	58.60	6.1	4.10	0.48	3231	2728	26	0.90	26	41	49.79	5.8	4.80	0.55	2808	2371	26	1.00	29	37	44.46	5.6	5.40	0.63	2472	2087	26	1.15	35	32	37.97	5.4	6.30	0.71	2196	1854	27	1.30	37	30	35.57	5.3	6.80	0.79	1964	1658	27	1.45	44	25	29.96	5.0	8.00	0.93	1676	1415	27	1.70	45	24	28.83	4.9	8.40	1.1	1455	1229	27	1.95	52	21	24.99	4.7	9.60	1.2	1277	1078	27	2.25	56	19	23.36	4.6	10	1.4	1126	951	27	2.55	65	17	20.19	4.4	11	1.6	991	837	27	2.90	76	14	17.15	4.2	13	1.8	860	726	27	3.35	86	13	15.32	4.1	14	0.87	1786	1508	14	0.90	100	11	13.08	3.9	15	0.95	1637	1382	15	1.00	108	10	12.14	3.8	16	1.1	1437	1213	16	1.15	0.18kW							0.18kW							0.09	17734	14975	70	0.80	GK129R79 GKF129R79 GKA129R79 GKAF129R79	4P	1.3	1241	1048	17	1.30	0.11	14732	12440	75	0.95	1.4	1090	920	17	1.50	0.12									12925	10914	76	1.10	1.6	962	812	18	1.70	0.13	11628	9819	76	1.20	1.9	836	706	18	1.95	0.16	9999	8443	77	1.40	2.1	734	620	18	2.25	0.18	8862	7483	77	1.60	2.4	651	550	19	2.50	0.20	7775	6565	78	1.80	2.7	572	483	19	2.85	0.23	6874	5804	78	2.00	3.1	505	426	19	3.25	0.26	5953	5027	78	2.35	3.6	433	366	19	3.75	0.30	5238	4423	78	2.70	1.5	1069	903	5.4	0.80	0.34	4606	3889	78	3.00	1.7	939	793	9.1	0.95	0.40	3921	3311	78	3.55	1.9	825	697	10	1.05	0.16	9863	8328	62	0.85	2.1	726	613	11	1.20	0.18	8608	7269	62	1.00	2.4	642	542	11	1.35	0.21	7324	6184	62	1.15	2.8	558	471	12	1.55	0.23	6705	5662	62	1.25	3.1	497	420	12	1.75	0.25	6085	5138	62	1.40	3.6	428	361	12	2.05	0.30	5163	4360	62	1.65	4.1	383	323	12	2.25	0.34	4513	3811	62	1.90	4.7	330	279	12	2.65	0.39	3977	3358	62	2.15	2.1	728	615	5.3	0.90	0.44	3526	2977	62	2.40	2.4	644	544	7.4	1.00	0.50	3077	2598	62	2.75	2.8	560	473	7.9	1.15	0.57	2707	2286	62	3.15	3.1	499	421	8.2	1.30						3.6	429	362	8.5	1.50						4.1	378	319	8.6	1.70						4.7	332	280	8.8	1.90						5.3	291	246	8.9	2.20						6.1	255	215	9.1	2.50														
8.1	134	104.37	7.7	3.00	GKA49 GKAF49		9.9	110	131.87	7.7	3.70		GK49	4P	0.62	2514	2123	38	1.80	11			101	121.48	7.8	4.00		GKF49 GKA49 GKAF49	0.71	2198	1856	38		2.10	8.0	136	106.38		5.9	1.50	GK39	6P*	0.81	1924	1625	38	2.35		8.7	125	97.81	6.0	1.60	GKF39	0.92	1694	1430	38	2.70	10	107	83.69	6.1	1.90	GKA39	1.04	1493		1261	38	3.05	12		93	72.54	6.2	2.20	GKAF39	1.19	1305	1102	38	3.50	12	88	106.38	6.2	2.30		1.37	1133	957	38	4.05	13	81	97.81	6.2	2.50	GK39 GKF39 GKA39 GKAF39	4P	1.53	1013	855	38			4.50	16	70	83.69	6.2	2.90	1.76	880	743	38	5.20	18	60	72.54	6.3	3.30	2.01	771			651	38			5.90					19	56	67.80	6.3	3.50	0.42	3678	3106	25	0.80	22	49	58.60	6.1	4.10	0.48	3231	2728	26	0.90	26	41	49.79	5.8	4.80	0.55	2808	2371	26	1.00	29	37	44.46	5.6	5.40	0.63	2472	2087	26	1.15	35	32	37.97	5.4	6.30	0.71	2196	1854	27	1.30	37	30	35.57	5.3	6.80	0.79	1964	1658	27	1.45	44	25	29.96	5.0	8.00	0.93	1676	1415	27	1.70	45	24	28.83	4.9	8.40	1.1	1455	1229	27	1.95	52	21	24.99	4.7	9.60	1.2	1277	1078	27	2.25	56	19	23.36	4.6	10	1.4	1126	951	27	2.55	65	17	20.19	4.4	11	1.6	991	837	27	2.90	76	14	17.15	4.2	13	1.8	860	726	27	3.35	86	13	15.32	4.1	14	0.87	1786	1508	14	0.90	100	11	13.08	3.9	15	0.95	1637	1382	15	1.00	108	10	12.14	3.8	16	1.1	1437	1213	16	1.15	0.18kW							0.18kW							0.09	17734	14975	70	0.80	GK129R79 GKF129R79 GKA129R79 GKAF129R79	4P	1.3	1241			1048	17	1.30	0.11	14732	12440	75	0.95	1.4	1090	920	17	1.50	0.12	12925	10914									76	1.10	1.6	962	812	18	1.70	0.13	11628	9819	76	1.20	1.9	836	706	18	1.95	0.16	9999	8443	77	1.40	2.1	734	620	18	2.25	0.18	8862	7483	77	1.60	2.4	651	550	19	2.50	0.20	7775	6565	78	1.80	2.7	572	483	19	2.85	0.23	6874	5804	78	2.00	3.1	505	426	19	3.25	0.26	5953	5027	78	2.35	3.6	433	366	19	3.75	0.30	5238	4423	78	2.70	1.5	1069	903	5.4	0.80	0.34	4606	3889	78	3.00	1.7	939	793	9.1	0.95	0.40	3921	3311	78	3.55	1.9	825	697	10	1.05	0.16	9863	8328	62	0.85	2.1	726	613	11	1.20	0.18	8608	7269	62	1.00	2.4	642	542	11	1.35	0.21	7324	6184	62	1.15	2.8	558	471	12	1.55	0.23	6705	5662	62	1.25	3.1	497	420	12	1.75	0.25	6085	5138	62	1.40	3.6	428	361	12	2.05	0.30	5163	4360	62	1.65	4.1	383	323	12	2.25	0.34	4513	3811	62	1.90	4.7	330	279	12	2.65	0.39	3977	3358	62	2.15	2.1	728	615	5.3	0.90	0.44	3526	2977	62	2.40	2.4	644	544	7.4	1.00	0.50	3077	2598	62	2.75	2.8	560	473	7.9	1.15	0.57	2707	2286	62	3.15	3.1	499	421	8.2	1.30						3.6	429	362	8.5	1.50						4.1	378	319	8.6	1.70						4.7	332	280	8.8	1.90						5.3	291	246	8.9	2.20						6.1	255	215	9.1	2.50																
9.9	110	131.87	7.7	3.70	GK49	4P	0.62	2514	2123	38	1.80																																																																																																																																																																																																																																																																																																																																																																																																																																																																																																																																																																																																																					
11	101	121.48	7.8	4.00	GKF49 GKA49 GKAF49		0.71	2198	1856	38	2.10																																																																																																																																																																																																																																																																																																																																																																																																																																																																																																																																																																																																																					
8.0	136	106.38	5.9	1.50	GK39	6P*	0.81	1924	1625	38	2.35																																																																																																																																																																																																																																																																																																																																																																																																																																																																																																																																																																																																																					
8.7	125	97.81	6.0	1.60	GKF39		0.92	1694	1430	38	2.70																																																																																																																																																																																																																																																																																																																																																																																																																																																																																																																																																																																																																					
10	107	83.69	6.1	1.90	GKA39		1.04	1493	1261	38	3.05																																																																																																																																																																																																																																																																																																																																																																																																																																																																																																																																																																																																																					
12	93	72.54	6.2	2.20	GKAF39		1.19	1305	1102	38	3.50																																																																																																																																																																																																																																																																																																																																																																																																																																																																																																																																																																																																																					
12	88	106.38	6.2	2.30			1.37	1133	957	38	4.05																																																																																																																																																																																																																																																																																																																																																																																																																																																																																																																																																																																																																					
13	81	97.81	6.2	2.50	GK39 GKF39 GKA39 GKAF39	4P	1.53	1013	855	38	4.50																																																																																																																																																																																																																																																																																																																																																																																																																																																																																																																																																																																																																					
16	70	83.69	6.2	2.90			1.76	880	743	38	5.20																																																																																																																																																																																																																																																																																																																																																																																																																																																																																																																																																																																																																					
18	60	72.54	6.3	3.30			2.01	771	651	38	5.90																																																																																																																																																																																																																																																																																																																																																																																																																																																																																																																																																																																																																					
19	56	67.80	6.3	3.50			0.42	3678	3106	25	0.80																																																																																																																																																																																																																																																																																																																																																																																																																																																																																																																																																																																																																					
22	49	58.60	6.1	4.10			0.48	3231	2728	26	0.90																																																																																																																																																																																																																																																																																																																																																																																																																																																																																																																																																																																																																					
26	41	49.79	5.8	4.80			0.55	2808	2371	26	1.00																																																																																																																																																																																																																																																																																																																																																																																																																																																																																																																																																																																																																					
29	37	44.46	5.6	5.40			0.63	2472	2087	26	1.15																																																																																																																																																																																																																																																																																																																																																																																																																																																																																																																																																																																																																					
35	32	37.97	5.4	6.30			0.71	2196	1854	27	1.30																																																																																																																																																																																																																																																																																																																																																																																																																																																																																																																																																																																																																					
37	30	35.57	5.3	6.80			0.79	1964	1658	27	1.45																																																																																																																																																																																																																																																																																																																																																																																																																																																																																																																																																																																																																					
44	25	29.96	5.0	8.00			0.93	1676	1415	27	1.70																																																																																																																																																																																																																																																																																																																																																																																																																																																																																																																																																																																																																					
45	24	28.83	4.9	8.40			1.1	1455	1229	27	1.95																																																																																																																																																																																																																																																																																																																																																																																																																																																																																																																																																																																																																					
52	21	24.99	4.7	9.60			1.2	1277	1078	27	2.25																																																																																																																																																																																																																																																																																																																																																																																																																																																																																																																																																																																																																					
56	19	23.36	4.6	10			1.4	1126	951	27	2.55																																																																																																																																																																																																																																																																																																																																																																																																																																																																																																																																																																																																																					
65	17	20.19	4.4	11			1.6	991	837	27	2.90																																																																																																																																																																																																																																																																																																																																																																																																																																																																																																																																																																																																																					
76	14	17.15	4.2	13			1.8	860	726	27	3.35																																																																																																																																																																																																																																																																																																																																																																																																																																																																																																																																																																																																																					
86	13	15.32	4.1	14	0.87	1786	1508	14	0.90																																																																																																																																																																																																																																																																																																																																																																																																																																																																																																																																																																																																																							
100	11	13.08	3.9	15	0.95	1637	1382	15	1.00																																																																																																																																																																																																																																																																																																																																																																																																																																																																																																																																																																																																																							
108	10	12.14	3.8	16	1.1	1437	1213	16	1.15																																																																																																																																																																																																																																																																																																																																																																																																																																																																																																																																																																																																																							
0.18kW							0.18kW																																																																																																																																																																																																																																																																																																																																																																																																																																																																																																																																																																																																																									
0.09	17734	14975	70	0.80	GK129R79 GKF129R79 GKA129R79 GKAF129R79	4P	1.3	1241	1048	17	1.30																																																																																																																																																																																																																																																																																																																																																																																																																																																																																																																																																																																																																					
0.11	14732	12440	75	0.95			1.4	1090	920	17	1.50																																																																																																																																																																																																																																																																																																																																																																																																																																																																																																																																																																																																																					
0.12	12925	10914	76	1.10			1.6	962	812	18	1.70																																																																																																																																																																																																																																																																																																																																																																																																																																																																																																																																																																																																																					
0.13	11628	9819	76	1.20			1.9	836	706	18	1.95																																																																																																																																																																																																																																																																																																																																																																																																																																																																																																																																																																																																																					
0.16	9999	8443	77	1.40			2.1	734	620	18	2.25																																																																																																																																																																																																																																																																																																																																																																																																																																																																																																																																																																																																																					
0.18	8862	7483	77	1.60			2.4	651	550	19	2.50																																																																																																																																																																																																																																																																																																																																																																																																																																																																																																																																																																																																																					
0.20	7775	6565	78	1.80			2.7	572	483	19	2.85																																																																																																																																																																																																																																																																																																																																																																																																																																																																																																																																																																																																																					
0.23	6874	5804	78	2.00			3.1	505	426	19	3.25																																																																																																																																																																																																																																																																																																																																																																																																																																																																																																																																																																																																																					
0.26	5953	5027	78	2.35			3.6	433	366	19	3.75																																																																																																																																																																																																																																																																																																																																																																																																																																																																																																																																																																																																																					
0.30	5238	4423	78	2.70			1.5	1069	903	5.4	0.80																																																																																																																																																																																																																																																																																																																																																																																																																																																																																																																																																																																																																					
0.34	4606	3889	78	3.00			1.7	939	793	9.1	0.95																																																																																																																																																																																																																																																																																																																																																																																																																																																																																																																																																																																																																					
0.40	3921	3311	78	3.55			1.9	825	697	10	1.05																																																																																																																																																																																																																																																																																																																																																																																																																																																																																																																																																																																																																					
0.16	9863	8328	62	0.85			2.1	726	613	11	1.20																																																																																																																																																																																																																																																																																																																																																																																																																																																																																																																																																																																																																					
0.18	8608	7269	62	1.00			2.4	642	542	11	1.35																																																																																																																																																																																																																																																																																																																																																																																																																																																																																																																																																																																																																					
0.21	7324	6184	62	1.15			2.8	558	471	12	1.55																																																																																																																																																																																																																																																																																																																																																																																																																																																																																																																																																																																																																					
0.23	6705	5662	62	1.25	3.1	497	420	12	1.75																																																																																																																																																																																																																																																																																																																																																																																																																																																																																																																																																																																																																							
0.25	6085	5138	62	1.40	3.6	428	361	12	2.05																																																																																																																																																																																																																																																																																																																																																																																																																																																																																																																																																																																																																							
0.30	5163	4360	62	1.65	4.1	383	323	12	2.25																																																																																																																																																																																																																																																																																																																																																																																																																																																																																																																																																																																																																							
0.34	4513	3811	62	1.90	4.7	330	279	12	2.65																																																																																																																																																																																																																																																																																																																																																																																																																																																																																																																																																																																																																							
0.39	3977	3358	62	2.15	2.1	728	615	5.3	0.90																																																																																																																																																																																																																																																																																																																																																																																																																																																																																																																																																																																																																							
0.44	3526	2977	62	2.40	2.4	644	544	7.4	1.00																																																																																																																																																																																																																																																																																																																																																																																																																																																																																																																																																																																																																							
0.50	3077	2598	62	2.75	2.8	560	473	7.9	1.15																																																																																																																																																																																																																																																																																																																																																																																																																																																																																																																																																																																																																							
0.57	2707	2286	62	3.15	3.1	499	421	8.2	1.30																																																																																																																																																																																																																																																																																																																																																																																																																																																																																																																																																																																																																							
					3.6	429	362	8.5	1.50																																																																																																																																																																																																																																																																																																																																																																																																																																																																																																																																																																																																																							
					4.1	378	319	8.6	1.70																																																																																																																																																																																																																																																																																																																																																																																																																																																																																																																																																																																																																							
					4.7	332	280	8.8	1.90																																																																																																																																																																																																																																																																																																																																																																																																																																																																																																																																																																																																																							
					5.3	291	246	8.9	2.20																																																																																																																																																																																																																																																																																																																																																																																																																																																																																																																																																																																																																							
					6.1	255	215	9.1	2.50																																																																																																																																																																																																																																																																																																																																																																																																																																																																																																																																																																																																																							

*0.12kW (6P) 电机需特制。*0.12kW motor of 6 poles needs to be specially requested and then manufactured.

选型参数表
(恒功率)
Selection Table
(Constant Power)

n_a [r/min]	M_a [N.m]	i	F_{Ra} [kN]	f_B	机型号 Type size	极数 Pole	n_a [r/min]	M_a [N.m]	i	F_{Ra} [kN]	f_B	机型号 Type size	极数 Pole		
0.18kW							0.18kW								
6.8	227	192	9.1	2.80	GK59R39	4P	44	37	29.96	5.0	5.10				
7.9	197	166	9.2	3.25	GKF59R39			45	36	28.83	4.9	5.30			
					GKA59R39			52	31	24.99	4.7	6.20			
					GKAF59R39			56	29	23.36	4.6	6.40			
3.5	444	375	5.6	0.95		4P	65	25	20.19	4.4	7.00	GK39	4P		
4.0	387	327	6.1	1.10				76	21	17.15	4.2	8.10		GKF39	
4.5	342	289	6.6	1.25	GK49R39			86	19	15.32	4.1	8.80		GKA39	
5.1	303	256	6.9	1.40	GKF49R39			100	16	13.08	3.9	9.70		GKAF39	
5.8	266	225	7.1	1.60	GKA49R39			108	15	12.14	3.8	10			
6.6	234	198	7.3	1.80	GKAF49R39			125	13	10.49	3.6	12			
7.7	203	171	7.5	2.10				147	11	8.91	3.4	14			
8.6	181	153	7.6	2.35				165	9.9	7.96	3.3	15			
10	155	131	7.6	2.75											
0.25kW							0.25kW								
6.4	243	205	5.0	0.85	GK39R19	4P	0.14	16151	9819	72	0.85		4P		
7.2	214	181	5.4	1.00	GKF39R19			0.16	13887	8443	75	1.00			
8.2	189	160	5.6	1.10	GKA39R19			0.18	12308	7483	76	1.15		GK129R79	
9.6	161	136	5.8	1.30	GKAF39R19			0.20	10798	6565	77	1.30		GKF129R79	
5.9	276	144.79	12	2.90	GK69	6P	0.23	9547	5804	77	1.45	GKA129R79	4P		
6.9	236	123.54	12	3.40	GKF69			0.26	8269	5027	78	1.70		GKAF129R79	
7.9	206	108.03	12	3.80	GKA69			0.30	7275	4423	78	1.95			
8.3	196	102.62	12	4.00	GKAF69			0.34	6397	3889	78	2.20			
9.0	180	144.79	12	4.30	GK69	4P	0.40	5446	3311	78	2.55		4P		
11	154	123.54	12	5.10	GKF69			0.22	10019	6184	62	0.85			
12	135	108.03	12	5.80	GKA69			0.23	9173	5662	62	0.90			
					GKAF69			0.26	8324	5138	62	1.00			
5.9	279	145.15	8.9	2.10	GK59	6P	0.31	7064	4360	62	1.20	GK109R79	4P		
6.9	238	123.85	9.0	2.50	GKF59			0.35	6174	3811	62	1.35		GKF109R79	
7.8	208	108.29	9.1	2.80	GKA59			0.40	5440	3358	62	1.55		GKA109R79	
8.3	198	102.88	9.1	3.00	GKAF59			0.45	4823	2977	62	1.75		GKAF109R79	
9.4	173	90.26	9.2	3.40		4P	0.51	4209	2598	62	2.00		4P		
9.0	181	145.15	9.2	3.20	GK59			0.58	3704	2286	62	2.25			
11	154	123.85	9.3	3.70	GKF59			0.69	3141	1939	62	2.65			
12	135	108.29	9.3	4.30	GKA59			0.78	2775	1713	62	3.00		GK109R79	
13	128	102.88	9.3	4.50	GKAF59		0.86	2519	1555	62	3.30	GKF109R79	4P		
15	113	90.26	9.4	5.10			1.0	2164	1336	62	3.85	GKA109R79			
17	95	76.56	9.4	6.00								GKAF109R79			
6.4	253	131.87	7.0	1.55	GK49	6P	0.43	5035	3108	38	0.85	GK99R59	4P		
7.0	233	121.48	7.2	1.65	GKF49			0.48	4465	2756	38	1.00		GKF99R59	
8.1	201	104.37	7.4	1.95	GKA49							GKA99R59			
9.4	175	90.86	7.5	2.20	GKAF49							GKAF99R59			
10	164	85.12	7.5	2.40		4P	0.55	3919	2419	38	1.15		4P		
11	151	121.48	7.6	2.50	GK49			0.63	3439	2123	38	1.30			
13	130	104.37	7.7	2.90	GKF49			0.72	3007	1856	38	1.50		GK99R59	
14	113	90.86	7.7	3.40	GKA49			0.82	2633	1625	38	1.70		GKF99R59	
15	106	85.12	7.7	3.60	GKAF49		0.93	2317	1430	38	1.95	GKA99R59	4P		
8.0	204	106.38	5.2	0.95	GK39	6P	1.1	2043	1261	38	2.20	GKAF99R59			
8.7	188	97.81	5.4	1.05	GKF39			1.2	1785	1102	38	2.50			
10	161	83.69	5.7	1.20	GKA39			1.4	1550	957	38	2.90			
12	139	72.54	5.9	1.40	GKAF39			1.6	1385	855	38	3.25			
12	133	106.38	5.9	1.45		4P	0.64	3381	2087	25	0.85		4P		
13	122	97.81	6.0	1.55				0.72	3004	1854	26	0.95			
16	104	83.69	6.1	1.85				0.80	2686	1658	26	1.05			
18	90	72.54	6.1	2.10	GK39			0.94	2292	1415	26	1.25		GK89R59	
19	85	67.80	6.2	2.30	GKF39			1.1	1991	1229	27	1.40		GKF89R59	
22	73	58.60	6.0	2.60	GKA39			1.2	1746	1078	27	1.60		GKA89R59	
26	62	49.79	5.7	3.10	GKAF39			1.4	1541	951	27	1.85		GKAF89R59	
29	55	44.46	5.5	3.50				1.6	1356	837	27	2.10			
35	47	37.97	5.3	4.10				1.8	1176	726	27	2.40			
37	44	35.57	5.2	4.30				2.1	1034	638	27	2.75			

选型参数表
(恒功率)
Selection Table
(Constant Power)

n_a [r/min]	M_a [N.m]	i	F_{Ra} [kN]	f_B	机型号 Type size	极数 Pole	n_a [r/min]	M_a [N.m]	i	F_{Ra} [kN]	f_B	机型号 Type size	极数 Pole		
0.25kW							0.25kW								
1.3	1698	1048	14	0.95			9.2	248	145.15	8.9	2.20				
1.4	1490	920	15	1.10			11	211	123.85	9.1	2.60	GK59			
1.6	1316	812	16	1.20			12	185	108.29	9.2	3.00	GKF59	4P		
1.9	1144	706	17	1.40			13	175	102.88	9.2	3.20	GKA59			
2.1	1004	620	17	1.60			15	154	90.26	9.3	3.60	GKAF59			
2.4	891	550	18	1.80	GK79R39		17	131	76.56	9.3	4.30				
2.8	783	483	18	2.05	GKF79R39	4P	6.4	352	131.87	6.1	1.10	GK49			
3.1	690	426	18	2.35	GKA79R39		7.0	324	121.48	6.4	1.20	GKF49	6P		
3.6	593	366	19	2.70	GKAF79R39		8.1	278	104.37	6.8	1.40	GKA49			
4.1	528	326	19	3.05			9.4	242	90.86	7.1	1.60	GKAF49			
4.6	468	289	19	3.45			10	227	85.12	7.2	1.75				
5.3	407	251	19	3.95				10	225	131.87	7.1	1.65	GK49		
6.0	356	220	19	4.50				11	207	121.48	7.3	1.80	GKF49	4P	
6.9	314	194	19	5.15				13	178	104.37	7.4	2.10	GKA49		
7.6	282	174	19	5.70				15	155	90.86	7.5	2.40	GKAF49		
								16	145	85.12	7.6	2.60			
2.2	993	613	7.0	0.85			10	223	83.69	5.0	0.90	GK39			
2.5	878	542	10	1.00			12	194	72.54	5.4	1.00	GKF39	6P		
2.8	763	471	10	1.10	GK69R39		13	181	67.80	5.5	1.10	GKA39			
3.2	680	420	11	1.25	GKF69R39		15	156	58.60	5.7	1.25	GKAF39			
3.7	585	361	11	1.45	GKA69R39	4P	17	133	49.79	5.9	1.50				
4.1	523	323	12	1.65	GKAF69R39		13	181	106.38	5.4	1.00				
4.8	452	279	12	1.90			14	167	97.81	5.6	1.10				
5.4	399	246	12	2.15			16	143	83.69	5.8	1.30				
6.1	352	217	12	2.45				18	124	72.54	5.9	1.50			
3.2	682	421	5.5	0.90				20	116	67.80	5.9	1.60			
3.7	586	362	7.4	1.05				23	100	58.60	5.7	1.85			
4.2	517	319	8.0	1.20				27	85	49.79	5.5	2.20			
4.8	454	280	8.3	1.40				30	76	44.46	5.4	2.50			
5.4	399	246	8.5	1.55	GK59R39		4P	35	65	37.97	5.2	2.90			
6.2	348	215	8.7	1.80	GKF59R39	37		61	35.57	5.1	3.10				
6.9	311	192	8.8	2.00	GKA59R39	44		51	29.96	4.8	3.60	GK39	4P		
8.0	269	166	9.0	2.35	GKAF59R39	46		49	28.83	4.8	3.80	GKF39			
9.2	235	145	9.1	2.65		53		43	24.99	4.6	4.40	GKA39			
10	209	129	9.1	3.00		57		40	23.36	4.5	4.60	GKAF39			
12	180	111	9.2	3.50				66	34	20.19	4.4	5.00			
14	157	97	9.3	4.00				78	29	17.15	4.2	5.70			
4.2	544	153.40	19	2.90	GK79			87	26	15.32	4.0	6.20			
4.7	478	134.74	19	3.30	GKF79	8P		102	22	13.08	3.8	6.90			
5.0	454	128.00	19	3.40	GKA79		110	21	12.14	3.7	7.20				
5.7	401	113.10	19	3.90	GKAF79		127	18	10.49	3.6	8.30				
4.4	511	191.40	19	2.80	GK79			149	15	8.91	3.4	9.80			
4.8	477	178.64	19	3.00	GKF79	6P	167	14	7.96	3.3	11.00				
5.5	409	153.40	19	3.70	GKA79		196	12	6.80	3.1	12.00				
6.3	360	134.74	19	4.20	GKAF79		209	11	6.37	3.1	12.00				
5.2	438	123.54	12	1.90	GK69			0.37kW							
5.9	383	108.03	12	2.20	GKF69	8P	0.18	17942	7483	69	0.75				
6.2	364	102.62	12	2.30	GKA69		0.20	15741	6565	73	0.90	GK129R79	4P		
7.1	319	90.04	12	2.60	GKAF69		0.23	13916	5804	75	1.00	GKF129R79			
5.9	386	144.79	12	2.10	GK69		0.26	12053	5027	76	1.15	GKA129R79			
6.9	330	123.54	12	2.50	GKF69	0.30	10605	4423	77	1.30	GKAF129R79				
7.9	288	108.03	12	2.80	GKA69		0.34	9325	3889	77	1.45				
8.3	274	102.62	12	3.00	GKAF69		0.40	7939	3311	78	1.75				
9.2	247	144.79	12	3.10	GK69	4P	0.69	4618	1926	78	2.95	GK129R79			
11	211	123.54	12	3.60	GKF69		0.76	4213	1757	78	3.25	GKF129R79	4P		
12	184	108.03	12	4.10	GKA69		0.86	3695	1541	78	3.70	GKA129R79			
13	175	102.62	12	4.30	GKAF69							GKAF129R79			
5.9	387	145.15	8.5	1.50				0.35	9138	3811	62	0.90			
6.9	330	123.85	8.7	1.80	GK59	6P	0.40	8052	3358	62	1.05	GK109R79	4P		
7.8	289	108.29	8.8	2.00	GKF59		0.45	7138	2977	62	1.15	GKF109R79			
8.3	275	102.88	8.9	2.20	GKA59		0.51	6229	2598	62	1.35	GKA109R79			
9.4	241	90.26	9.0	2.50	GKAF59		0.58	5481	2286	62	1.55	GKAF109R79			
11	204	76.56	9.1	2.90			0.69	4649	1939	62	1.80				

选型参数表
(恒功率)
Selection Table
(Constant Power)

n_a [r/min]	M_a [N.m]	i	F_{Ra} [kN]	f_B	机型号 Type size	极数 Pole	n_a [r/min]	M_a [N.m]	i	F_{Ra} [kN]	f_B	机型号 Type size	极数 Pole		
0.37kW							0.37kW								
0.78	4107	1713	62	2.05	GK109R79	4P	3.8	886	174.19	27	3.00	GK89	8P		
0.86	3728	1555	62	2.25	GKF109R79		4.0	836	164.34	27	3.20	GKF89			
1.0	3203	1336	62	2.60	GKA109R79		4.5	749	147.33	27	3.50	GKA89			
1.1	2796	1166	62	3.00	GKAF109R79							GKAF89			
0.63	5090	2123	38	0.90	GK99R59	4P	4.5	744	197.37	27	3.50	GK89	6P		
0.72	4450	1856	38	1.00				5.1	657	174.19	27	4.00		GKF89	
0.82	3896	1625	38	1.15										GKA89	
0.93	3429	1430	38	1.30									GKAF89		
1.1	3024	1261	38	1.50					4.9	685	134.74	18	2.20	GK79	8P
1.2	2642	1102	38	1.70					5.2	651	128.00	18	2.30	GKF79	
1.4	2295	957	38	1.95					5.8	575	113.10	19	2.60	GKA79	
1.6	2050	855	38	2.20					6.8	492	96.66	19	3.10	GKAF79	
1.8	1782	743	38	2.50					5.8	579	153.40	19	2.60	GK79	6P
2.0	1561	651	38	2.90					6.6	508	134.74	19	2.90	GKF79	
2.3	1374	573	38	3.25			7.0	483	128.00	19	3.10	GKA79			
							7.9	427	113.10	19	3.50	GKAF79			
0.94	3393	1415	25	0.85	GK89R59	4P	6.9	483	191.40	19	3.00	GK79	4P		
1.1	2947	1229	26	0.95				7.4	451	178.64	19	3.20		GKF79	
1.2	2585	1078	26	1.10				8.7	387	153.40	19	3.90		GKA79	
1.4	2280	951	27	1.25										GKAF79	
1.6	2007	837	27	1.40					6.1	549	108.03	11	1.45	GK69	8P
1.8	1741	726	27	1.60					6.4	522	102.62	12	1.55	GKF69	
2.1	1530	638	27	1.85					7.3	458	90.04	12	1.75	GKA69	
2.4	1348	562	27	2.10									GKAF69		
2.8	1137	474	27	2.50					7.2	466	123.54	12	1.70	GK69	6P
3.1	1021	426	27	2.75					8.2	407	108.03	12	1.95	GKF69	
3.6	894	373	27	3.15			8.7	387	102.62	12	2.00	GKA69			
							9.9	340	90.04	12	2.30	GKAF69			
1.6	1947	812	10	0.85	GK79R39	4P	9.2	365	144.79	12	2.20	GK69	4P		
1.9	1693	706	14	0.95				11	312	123.54	12	2.60		GKF69	
2.1	1487	620	16	1.10				12	273	108.03	12	3.00		GKA69	
2.4	1319	550	16	1.20				15	227	90.04	12	3.60		GKAF69	
2.8	1158	483	17	1.40					17	193	76.37	12	4.20		
3.1	1021	426	18	1.60					7.2	467	123.85	8.1	1.25		6P
3.6	878	366	18	1.85					8.2	408	108.29	8.3	1.40	GK59	
4.1	782	326	18	2.05					8.7	388	102.88	8.4	1.50	GKF59	
4.6	693	289	18	2.30					9.9	340	90.26	8.6	1.70	GKA59	
5.3	602	251	19	2.70					11.6	289	76.56	8.8	2.00	GKAF59	
6.0	528	220	19	3.05					12.9	261	69.12	8.9	2.20		
6.9	465	194	19	3.45					9.2	366	145.15	8.6	1.60		4P
7.6	417	174	19	3.85					11	313	123.85	8.8	1.90	GK59	
8.7	367	153	19	4.40					12	273	108.29	8.9	2.20	GKF59	
							13	260	102.88	8.9	2.30	GKA59			
3.2	1007	420	8.6	0.85	GK69R39	4P	15	228	90.26	9.1	2.60	GKAF59	4P		
3.7	866	361	10	1.00				17	193	76.56	9.2	3.10			
4.1	774	323	11	1.10				19	174	69.12	9.2	3.40			
4.8	669	279	11	1.30					8.5	394	104.37	5.2		1.00	GK49
5.4	590	246	12	1.45					9.8	343	90.86	6.2	1.10	GKF49	
6.1	520	217	12	1.65					10	321	85.12	6.4	1.20	GKA49	
7.0	458	191	12	1.85					12	284	75.20	6.7	1.35	GKAF49	
8.0	398	166	12	2.15					10	333	131.87	6.4	1.20	GK49	4P
9.2	345	144	12	2.50					11	307	121.48	6.6	1.30	GKF49	
11	293	122	12	2.95					13	263	104.37	7.0	1.50	GKA49	
4.8	671	280	7.1	0.95			15	229	90.86	7.2	1.70	GKAF49			
5.4	590	246	7.6	1.05	GK59R39	4P	16	215	85.12	7.3	1.85	GK49	4P		
6.2	516	215	8.1	1.20				18	190	75.20	7.4	2.10		GKF49	
6.9	460	192	8.3	1.35				19	176	69.84	7.5	2.20		GKA49	
8.0	398	166	8.6	1.55					21	160	63.30	7.6		2.50	GKAF49
9.2	348	145	8.7	1.80											
10	309	129	8.9	2.00											
12	266	111	9.0	2.35											
14	233	97	9.1	2.70											

**选型参数表
(恒功率)**
**Selection Table
(Constant Power)**

n_a [r/min]	M_a [N.m]	i	F_{Ra} [kN]	f_B	机型号 Type size	极数 Pole	n_a [r/min]	M_a [N.m]	i	F_{Ra} [kN]	f_B	机型号 Type size	极数 Pole	
0.37kW							0.55kW							
14	247	97.81	2.4	0.80			1.3	3513	1030	62	2.30	GK109R79		
16	211	83.69	5.2	0.95			1.5	3083	904	62	2.60	GKF109R79	4P	
18	183	72.54	5.4	1.10			1.8	2704	793	62	2.95	GKA109R79		
20	171	67.80	5.3	1.15			2.0	2374	696	62	3.35	GKAF109R79		
23	148	58.60	5.2	1.35			2.3	2094	614	62	3.80			
27	126	49.79	5.1	1.55			0.97	4877	1430	38	0.90			
30	112	44.46	5.0	1.75			1.1	4300	1261	38	1.00			
35	96	37.97	4.8	2.10			1.3	3758	1102	38	1.15			
37	90	35.57	4.7	2.20			1.5	3264	957	38	1.30			
44	76	29.96	4.6	2.60			1.6	2916	855	38	1.45	GK99R59	4P	
46	73	28.83	4.5	2.70	GK39	4P	1.9	2534	743	38	1.70	GKF99R59		
53	63	24.99	4.4	3.10	GKF39		2.1	2220	651	38	1.95	GKA99R59		
57	59	23.36	4.3	3.30	GKA39		2.4	1954	573	38	2.20	GKAF99R59		
66	51	20.19	4.1	3.60	GKAF39		2.8	1719	504	38	2.50			
78	43	17.15	4.0	4.10			3.2	1490	437	38	2.90			
87	39	15.32	3.8	4.50			3.6	1303	382	38	3.30			
102	33	13.08	3.7	4.90			4.6	1040	305	38	4.15			
110	31	12.14	3.6	5.10			1.5	3243	951	25	0.85			
127	26	10.49	3.4	5.90			1.7	2854	837	26	0.95			
149	22	8.91	3.3	7.00			1.9	2476	726	26	1.10			
167	20	7.96	3.2	7.60		2.2	2176	638	27	1.25				
196	17	6.80	3.0	8.60		2.5	1917	562	27	1.40	GK89R59	4P		
209	16	6.37	3.0	8.90		2.9	1617	474	27	1.65	GKF89R59			
248	14	5.36	2.8	10		3.3	1453	426	27	1.85	GKA89R59			
						3.7	1272	373	27	2.10	GKAF89R59			
						4.2	1125	330	27	2.40				
						4.7	999	293	27	2.70				
						5.6	853	250	27	3.15				
						5.9	805	236	27	3.35				
						6.9	685	201	27	3.95				
						2.5	1876	550	5.5	0.80				
						2.9	1647	483	14	0.95				
						3.3	1453	426	15	1.05				
						3.8	1248	366	16	1.25	GK79R39	4P		
						4.3	1112	326	17	1.40	GKF79R39			
						4.8	986	289	17	1.55	GKA79R39			
						5.5	856	251	18	1.80	GKAF79R39			
						6.3	750	220	18	2.05				
						7.2	662	194	18	2.35				
						8.0	593	174	19	2.60				
						9.1	522	153	19	2.95				
						5.0	951	279	7	0.85				
						5.7	839	246	10	1.00	GK69R39		4P	
						6.4	740	217	10	1.10	GKF69R39			
						7.3	651	191	11	1.25	GKA69R39			
						8.4	566	166	11	1.45	GKAF69R39			
						9.7	491	144	12	1.65				
						11	416	122	12	1.95				
						7.2	655	192	4.9	0.90				
						8.4	566	166	7.5	1.05	GK59R39	4P		
						9.6	495	145	8.0	1.20	GKF59R39			
						11	440	129	8.2	1.35	GKA59R39			
						13	379	111	8.5	1.60	GKAF59R39			
						14	331	97	8.7	1.80				
						3.8	1317	174.19	27	2.00	GK89		8P	
						4.0	1242	164.34	27	2.10	GKF89			
						4.5	1114	147.33	27	2.40	GKA89			
											GKAF89			

**选型参数表
(恒功率)**
**Selection Table
(Constant Power)**

n_a [r/min]	M_a [N.m]	i	F_{Ra} [kN]	f_B	机型号 Type size	极数 Pole	n_a [r/min]	M_a [N.m]	i	F_{Ra} [kN]	f_B	机型号 Type size	极数 Pole				
0.55kW							0.55kW										
4.5	1107	197.37	27	2.30	GK89	6P	91	55	15.32	3.7	3.00	GK39 GKF39 GKA39 GKAF39	4P				
5.1	977	174.19	27	2.70	GKF89		106	47	13.08	3.5	3.30						
5.4	921	164.34	27	2.80	GKA89		114	44	12.14	3.5	3.40						
6.0	826	147.33	27	3.10	GKAF89		133	38	10.49	3.3	4.00						
4.9	1019	134.74	17	1.50	GK79	8P	156	32	8.91	3.2	4.70			GK189R99 GKA189R99	4P		
5.2	968	128.00	17	1.55	GKF79		175	29	7.96	3.1	5.10						
5.8	855	113.10	18	1.75	GKA79		204	24	6.80	3.0	5.70						
6.8	731	96.66	18	2.10	GKAF79		218	23	6.37	2.9	5.90						
5.8	860	153.40	18	1.70	GK79	6P	259	19	5.36	2.8	6.80					GK169R99 GKA169R99	4P
6.6	755	134.74	18	1.95	GKF79		0.11	60996	13116	158	0.85						
7.0	718	128.00	18	2.10	GKA79		0.12	54164	11647	169	0.95						
7.9	634	113.10	18	2.30	GKAF79		0.19	34148	7343	171	1.50						
9.1	551	153.40	19	2.60	GK79	4P	0.21	31377	6747	171	1.65	GK159R99 GKF159R99 GKA159R99 GKAF159R99	4P				
10	484	134.74	19	3.00	GKF79		0.23	27861	5991	171	1.90						
11	459	128.00	19	3.10	GKA79		0.16	40129	8629	135	0.85						
12	406	113.10	19	3.50	GKAF79		0.21	30516	6562	135	1.10						
14	347	96.66	19	4.10	GKAF79	6P	0.26	24903	5355	135	1.35			GK129R79 GKF129R79 GKA129R79 GKAF129R79	4P		
7.2	693	123.54	11	1.15	GK69		0.34	18969	4079	135	1.75						
8.2	606	108.03	11	1.30	GKF69		0.41	15700	3376	135	2.10						
8.7	575	102.62	11	1.35	GKA69		4P	0.39	16463	3540	107						
9.9	505	90.04	12	1.55	GKAF69	0.46		14189	3051	108	1.25						
12	428	76.37	12	1.85	GKAF69	6P		0.84	7715	1659	110					2.30	
11	443	123.54	12	1.70	GK69			1.0	6348	1365	110					2.80	
13	388	108.03	12	1.95	GKF69		4P	0.42	15398	3311	72					0.85	
15	323	90.04	12	2.40	GKA69			0.46	13993	3009	75	0.95					
18	274	76.37	12	2.80	GKAF69	0.53		12124	2607	76	1.10						
8.2	607	108.29	7.0	0.95	GK59 GKF59 GKA59 GKAF59	6P		GK109R79 GKF109R79 GKA109R79 GKAF109R79	4P								
8.7	577	102.88	7.2	1.00													
9.9	506	90.26	7.8	1.15													
12	429	76.56	8.2	1.35													
13	388	69.12	8.4	1.50													
15	341	60.81	8.6	1.70													
15	322	57.42	8.7	1.80													
11	445	123.85	8.1	1.25	GK59 GKF59 GKA59 GKAF59	4P	0.72			8957	1926	77	1.45				
13	389	108.29	8.4	1.45			0.79			8171	1757	77	1.60				
14	369	102.88	8.4	1.50			0.90			7166	1541	78	1.85				
15	324	90.26	8.6	1.70			1.0			6241	1342	78	2.10				
18	275	76.56	8.8	2.00			1.2			5474	1177	78	2.40				
20	248	69.12	8.9	2.20			1.4	4767	1025	78	2.80						
23	218	60.81	9.0	2.60	1.5	4181	899	78	3.20								
24	206	57.42	9.1	2.70	GK49 GKF49 GKA49 GKAF49	4P	0.81	7966	1713	62	1.00						
13	375	104.37	5.6	1.00			0.89	7231	1555	62	1.10						
15	326	90.86	6.2	1.15			1.0	6213	1336	62	1.30						
16	306	85.12	6.5	1.50			1.2	5422	1166	62	1.50						
18	270	75.20	6.8	1.40			1.3	4790	1030	62	1.65						
20	251	69.84	6.9	1.50			1.5	4204	904	62	1.90						
22	227	63.30	7.1	1.65	1.8	3688	793	62	2.15								
24	204	56.83	7.3	1.80	2.0	3237	696	62	2.45								
28	176	48.95	7.4	2.10	2.3	2855	614	62	2.80								
30	165	46.04	7.5	2.20	1.3	5125	1102	38	0.85								
24	210	58.60	4.6	0.90	1.5	4451	957	38	0.95								
28	179	49.79	4.6	1.05	1.6	3976	855	38	1.10								
31	160	44.46	4.5	1.15	1.9	3455	743	38	1.25								
37	136	37.97	4.4	1.35	2.1	3027	651	38	1.40								
39	128	35.57	4.4	1.45	2.4	2665	573	38	1.60								
46	108	29.96	4.2	1.75	2.8	2344	504	38	1.85								
48	103	28.83	4.2	1.80	3.2	2032	437	38	2.10								
56	90	24.99	4.1	2.10	3.6	1776	382	38	2.40								
60	84	23.36	4.0	2.20	4.6	1418	305	38	3.05								
69	72	20.19	3.9	2.40	5.4	1200	258	38	3.60								
81	62	17.15	3.8	2.70	6.0	1079	232	38	4.00								
					7.0	925	199	38	4.65								

选型参数表
(恒功率)
Selection Table
(Constant Power)

n_a [r/min]	M_a [N.m]	i	F_{Ra} [kN]	f_B	机型号 Type size	极数 Pole	n_a [r/min]	M_a [N.m]	i	F_{Ra} [kN]	f_B	机型号 Type size	极数 Pole
0.75kW							0.75kW						
1.9	3376	726	25	0.80			18	368	75.20	5.8	1.00	GK49	
2.2	2967	638	26	0.90			20	342	69.84	6.1	1.10	GKF49	4P
2.5	2614	562	26	1.05			22	310	63.30	6.5	1.20	GKA49	
2.9	2204	474	27	1.25								GKAF49	
3.3	1981	426	27	1.35	GK89R59		24	278	56.83	6.8	1.35		
3.7	1735	373	27	1.55	GKF89R59		28	240	48.95	7.1	1.55	GK49	
4.2	1535	330	27	1.75	GKA89R59	4P	30	225	46.04	7.2	1.65	GKF49	4P
4.7	1363	293	27	2.00	GKAF89R59		35	194	39.61	7.4	1.95	GKA49	
5.6	1163	250	27	2.30			39	173	35.39	7.4	2.20	GKAF49	
5.9	1098	236	27	2.45			44	153	31.30	7.2	2.50		
6.9	935	201	27	2.90			31	218	44.46	4.0	0.85		
3.8	1702	366	13	0.90	GK79R39		37	186	37.97	3.9	1.00		
4.3	1516	326	15	1.00	GKF79R39		39	174	35.57	3.9	1.10		
4.8	1344	289	16	1.15	GKA79R39	4P	46	147	29.96	3.9	1.30		
5.5	1167	251	17	1.30	GKAF79R39		48	141	28.83	3.9	1.35		
6.3	1023	220	17	1.50			56	122	24.99	3.8	1.55		
3.9	1736	176.05	38	2.30	GK99		60	114	23.36	3.8	1.60		
4.5	1511	153.21	38	2.70	GKF99	8P	69	99	20.19	3.7	1.75	GK39	
4.9	1383	140.28	38	3.00	GKA99		81	84	17.15	3.6	2.00	GKF39	4P
					GKAF99		91	75	15.32	3.5	2.20	GKA39	
4.7	1453	147.33	27	1.75	GK89		106	64	13.08	3.4	2.40	GKAF39	
5.4	1252	126.91	27	2.00	GKF89	8P	114	59	12.14	3.3	2.50		
6.0	1142	115.82	27	2.20	GKA89		133	51	10.49	3.2	2.90		
6.7	1013	102.71	27	2.50	GKAF89		156	44	8.91	3.1	3.50		
5.2	1302	174.19	27	1.95	GK89		175	39	7.96	3.0	3.80		
5.5	1229	164.34	27	2.10	GKF89	6P	204	33	6.80	2.9	4.20		
6.2	1102	147.33	27	2.30	GKA89		218	31	6.37	2.8	4.40		
7.2	949	126.91	27	2.70	GKAF89		259	26	5.36	2.7	5.00		
7.0	966	197.37	27	2.60	GK89		1.1kW						
8.0	853	174.19	27	3.00	GKF89	4P	0.15	63406	9363	154	0.80		
8.5	804	164.34	27	3.20	GKA89		0.17	55029	8126	167	0.95		
9.4	721	147.33	27	3.50	GKAF89		0.19	49727	7343	171	1.05		
6.8	1007	134.74	17	1.45	GK79		0.21	45691	6747	171	1.15	GK189R99	4P
7.1	957	128.00	17	1.50	GKF79	6P	0.23	40571	5991	171	1.30	GKA189R99	
8.0	846	113.10	18	1.70	GKA79		0.26	36284	5358	171	1.45		
9.4	723	96.66	18	2.00	GKAF79		0.29	32621	4817	171	1.60		
10	663	88.61	18	2.20			0.32	29594	4370	171	1.75		
9.1	751	153.40	18	1.95	GK79		0.26	36264	5355	135	0.90		
10	660	134.74	18	2.20	GKF79	4P	0.29	32424	4788	135	1.05	GK169R99	4P
11	627	128.00	18	2.30	GKA79		0.34	27623	4079	135	1.20	GKA169R99	
12	554	113.10	19	2.60	GKAF79		0.41	22862	3376	135	1.45		
14	473	96.66	19	3.10			0.51	18657	2755	135	1.80		
11	605	123.54	11	1.30	GK69		0.64	14776	2182	135	2.20		
13	529	108.03	11	1.45	GKF69	4P	0.82	11539	1704	135	2.80	GK169R99	4P
15	441	90.04	12	1.75	GKA69		0.99	9535	1408	135	3.40	GKA169R99	
					GKAF69		1.08	8776	1296	135	3.70		
18	374	76.37	12	2.10	GK69		0.40	23973	3540	104	0.75	GK159R99	
20	338	68.95	12	2.30	GKF69	4P	0.46	20661	3051	106	0.85	GKF159R99	4P
23	297	60.66	12	2.60	GKA69		0.54	17675	2610	107	1.00	GKA159R99	
24	280	57.28	12	2.80	GKAF69		0.60	15731	2323	108	1.15	GKAF159R99	
11	606	123.85	6.8	0.95			0.84	11235	1659	109	1.60		
13	530	108.29	7.5	1.05			1.0	9244	1365	110	1.95	GK159R99	
14	504	102.88	7.8	1.10			1.1	8323	1229	110	2.15	GKF159R99	4P
15	442	90.26	8.1	1.30	GK59		1.3	7402	1093	110	2.40	GKA159R99	
18	375	76.56	8.4	1.50	GKF59	4P	1.5	6379	942	110	2.75	GKAF159R99	
20	338	69.12	8.6	1.65	GKA59		1.6	5776	853	110	3.05		
23	298	60.81	8.8	1.90	GKAF59		0.73	13043	1926	75	1.00	GK129R79	
24	281	57.42	8.8	2.00			0.80	11898	1757	76	1.10	GKF129R79	4P
28	239	48.89	9.0	2.40			0.91	10436	1541	76	1.25	GKA129R79	
31	217	44.43	9.1	2.60			1.0	9088	1342	77	1.45	GKAF129R79	

**选型参数表
(恒功率)**
**Selection Table
(Constant Power)**

n_a [r/min]	M_a [N.m]	i	F_{Ra} [kN]	f_B	机型号 Type size	极数 Pole	n_a [r/min]	M_a [N.m]	i	F_{Ra} [kN]	f_B	机型号 Type size	极数 Pole																																																																																																																																																																																																																																																																																																																																																									
1.1kW							1.1kW																																																																																																																																																																																																																																																																																																																																																															
1.2	7971	1177	77	1.65	GK129R79 GKF129R79 GKA129R79 GKAF129R79	4P	10	960	134.74	17	1.55	GK79 GKF79 GKA79 GKAF79	4P																																																																																																																																																																																																																																																																																																																																																									
1.4	6941	1025	78	1.90			1.6	6088	899	78	2.20	1.8		5350	790	78	2.45	2.0	4767	704	78	2.75	2.3	4131	610	78	3.20	2.6	3718	549	78	3.50	2.9	3230	477	78	4.05	14	689	96.66	18	2.10	GK79	4P	16	632	88.61	18	2.30	GKF79	18	554	77.76	19	2.70	GKA79	19	525	73.69	19	2.80	GKAF79	13	770	108.03	10	1.00	GK69	4P	14	732	102.62	10	1.05	GKF69	16	642	90.04	11	1.20	GKA69	18	544	76.37	11	1.45	GKAF69	20	492	68.95	12	1.60	GK69 GKF69 GKA69 GKAF69	4P	23	432	60.66	12	1.80	24	408	57.28	12	1.90	29	348	48.77	12	2.20	32	316	44.32	12	2.50	GK69 GKF69 GKA69 GKAF69	4P	36	274	38.39	12	2.80	16	643	90.26	2.3	0.90	GK59 GKF59 GKA59 GKAF59	4P	18	546	76.56	7.4	1.05	20	493	69.12	7.9	1.15	23	433	60.81	8.2	1.30	24	409	57.42	8.3	1.40	29	349	48.89	8.6	1.65	32	317	44.43	8.7	1.80	36	274	38.49	8.9	2.10	39	254	35.70	8.9	2.20	46	216	30.28	9.1	2.60	51	195	27.34	9.0	2.90	58	171	24.05	8.8	3.30	GK59 GKF59 GKA59 GKAF59	4P	62	162	22.71	8.6	3.50	72	138	19.34	8.3	4.00	80	125	17.57	8.1	4.20	92	108	15.22	7.8	4.70	106	94	13.25	7.5	5.10	117	85	11.92	7.2	4.60	124	80	11.26	7.1	4.90	146	68	9.59	6.8	5.60	161	62	8.71	6.6	6.00	185	54	7.55	6.3	6.40	213	47	6.57	6.1	7.00	25	405	56.83	3.1	0.95	GK49 GKF49 GKA49 GKAF49	4P	29	349	48.95	6.0	1.10	30	328	46.04	6.3	1.15	35	282	39.61	6.7	1.35	40	252	35.39	6.7	1.50	GK49 GKF49 GKA49 GKAF49	4P	45	223	31.30	6.6	1.70	48	209	29.32	6.5	1.80	54	185	25.91	6.4	2.10	64	155	21.81	6.2	2.40	72	140	19.58	6.0	2.70	47	214	29.96	3.2	0.90	GK39 GKF39 GKA39 GKAF39	4P	56	178	24.99	3.3	1.05	60	167	23.36	3.3	1.10	69	144	20.19	3.2	1.20	82	122	17.15	3.2	1.40	91	109	15.32	3.2	1.50	107	93	13.08	3.1	1.70																											
1.6	6088	899	78	2.20			1.8	5350	790	78	2.45	2.0		4767	704	78	2.75	2.3	4131	610	78	3.20	2.6	3718	549	78	3.50	2.9	3230	477	78	4.05	14	689	96.66	18	2.10	GK79	4P	16	632	88.61	18		2.30	GKF79	18	554	77.76	19	2.70	GKA79	19	525	73.69	19	2.80	GKAF79	13	770	108.03	10	1.00	GK69	4P	14	732	102.62		10	1.05	GKF69	16	642	90.04	11	1.20	GKA69	18	544	76.37	11	1.45	GKAF69	20	492	68.95	12	1.60	GK69 GKF69 GKA69 GKAF69	4P	23			432	60.66	12	1.80	24	408	57.28	12	1.90	29	348	48.77	12	2.20	32	316	44.32	12	2.50	GK69 GKF69 GKA69 GKAF69			4P	36	274	38.39	12	2.80	16	643	90.26	2.3			0.90	GK59 GKF59 GKA59 GKAF59	4P	18	546	76.56	7.4	1.05	20	493	69.12	7.9	1.15	23	433	60.81	8.2	1.30	24	409	57.42	8.3	1.40	29	349	48.89	8.6	1.65	32	317	44.43	8.7	1.80	36	274	38.49	8.9	2.10	39	254	35.70	8.9	2.20	46	216	30.28	9.1	2.60	51	195	27.34	9.0	2.90	58	171			24.05	8.8	3.30	GK59 GKF59 GKA59 GKAF59	4P	62	162	22.71	8.6	3.50	72	138	19.34	8.3	4.00	80	125	17.57	8.1	4.20	92	108	15.22	7.8	4.70	106	94	13.25	7.5	5.10	117	85	11.92	7.2	4.60	124	80	11.26	7.1	4.90	146	68	9.59	6.8	5.60	161	62	8.71	6.6	6.00	185	54	7.55	6.3	6.40	213	47	6.57	6.1	7.00	25		405	56.83	3.1	0.95	GK49 GKF49 GKA49 GKAF49	4P	29	349	48.95	6.0	1.10	30	328	46.04	6.3	1.15	35	282	39.61	6.7			1.35	40	252	35.39	6.7	1.50	GK49 GKF49 GKA49 GKAF49	4P	45	223	31.30	6.6	1.70	48	209	29.32	6.5	1.80	54	185	25.91	6.4	2.10	64	155	21.81	6.2	2.40	72	140			19.58	6.0	2.70	47	214	29.96	3.2	0.90	GK39 GKF39 GKA39 GKAF39	4P	56	178	24.99	3.3	1.05	60	167	23.36	3.3	1.10	69	144	20.19	3.2	1.20	82	122	17.15	3.2	1.40	91	109	15.32	3.2	1.50	107	93	13.08	3.1	1.70																	
1.8	5350	790	78	2.45			2.0	4767	704	78	2.75	2.3		4131	610	78	3.20	2.6	3718	549	78	3.50	2.9	3230	477	78	4.05	14	689	96.66	18	2.10	GK79	4P	16	632	88.61	18		2.30	GKF79	18	554		77.76	19	2.70	GKA79	19	525	73.69	19	2.80	GKAF79	13	770	108.03	10	1.00	GK69	4P	14	732	102.62		10	1.05	GKF69		16	642	90.04	11	1.20	GKA69	18	544	76.37	11	1.45	GKAF69	20	492	68.95	12	1.60	GK69 GKF69 GKA69 GKAF69	4P	23			432			60.66	12	1.80	24	408	57.28	12	1.90	29	348	48.77	12	2.20	32	316	44.32	12	2.50	GK69 GKF69 GKA69 GKAF69					4P	36	274	38.39	12	2.80	16	643	90.26			2.3			0.90	GK59 GKF59 GKA59 GKAF59	4P	18	546	76.56	7.4	1.05	20	493	69.12	7.9	1.15	23	433	60.81	8.2	1.30	24	409	57.42	8.3	1.40	29	349	48.89	8.6	1.65	32	317	44.43	8.7	1.80	36	274	38.49	8.9	2.10	39	254	35.70	8.9	2.20	46	216	30.28	9.1	2.60	51	195	27.34	9.0			2.90	58	171			24.05	8.8	3.30	GK59 GKF59 GKA59 GKAF59	4P	62	162	22.71	8.6	3.50	72	138	19.34	8.3	4.00	80	125	17.57	8.1	4.20	92	108	15.22	7.8	4.70	106	94	13.25	7.5	5.10	117	85	11.92	7.2	4.60	124	80	11.26	7.1	4.90	146	68	9.59	6.8	5.60	161	62	8.71	6.6	6.00	185	54	7.55	6.3	6.40	213		47	6.57	6.1	7.00	25		405	56.83	3.1	0.95	GK49 GKF49 GKA49 GKAF49	4P	29	349	48.95	6.0	1.10	30	328	46.04			6.3	1.15	35	282	39.61	6.7			1.35	40	252	35.39	6.7	1.50	GK49 GKF49 GKA49 GKAF49	4P	45	223	31.30	6.6	1.70	48	209	29.32	6.5	1.80	54	185	25.91	6.4			2.10	64	155	21.81	6.2	2.40	72	140			19.58	6.0	2.70	47	214	29.96	3.2	0.90	GK39 GKF39 GKA39 GKAF39	4P	56	178	24.99	3.3	1.05	60	167	23.36	3.3	1.10	69	144	20.19	3.2	1.20	82	122	17.15	3.2	1.40	91	109	15.32	3.2	1.50	107	93	13.08	3.1	1.70							
2.0	4767	704	78	2.75			2.3	4131	610	78	3.20	2.6	3718	549	78	3.50	2.9	3230	477	78	4.05	14	689	96.66	18	2.10	GK79	4P	16	632	88.61	18	2.30		GKF79	18	554	77.76		19	2.70	GKA79	19		525	73.69	19	2.80	GKAF79	13	770	108.03	10	1.00	GK69	4P	14	732	102.62	10		1.05	GKF69	16		642	90.04	11		1.20	GKA69	18	544	76.37	11	1.45	GKAF69	20	492	68.95	12	1.60	GK69 GKF69 GKA69 GKAF69	4P	23	432			60.66			12			1.80	24	408	57.28	12	1.90	29	348	48.77	12	2.20	32	316	44.32	12	2.50	GK69 GKF69 GKA69 GKAF69	4P							36	274	38.39	12	2.80	16	643	90.26			2.3			0.90			GK59 GKF59 GKA59 GKAF59	4P	18	546	76.56	7.4	1.05	20	493	69.12	7.9	1.15	23	433	60.81	8.2	1.30	24	409	57.42	8.3	1.40	29	349	48.89	8.6	1.65	32	317	44.43	8.7	1.80	36	274	38.49	8.9	2.10	39	254	35.70	8.9	2.20	46	216	30.28	9.1	2.60	51	195			27.34	9.0	2.90			58	171	24.05			8.8	3.30	GK59 GKF59 GKA59 GKAF59	4P	62	162	22.71	8.6	3.50	72	138	19.34	8.3	4.00	80	125	17.57	8.1	4.20	92	108	15.22	7.8	4.70	106	94	13.25	7.5	5.10	117	85	11.92	7.2	4.60	124	80	11.26	7.1	4.90	146	68	9.59	6.8	5.60	161	62	8.71	6.6	6.00	185	54		7.55	6.3	6.40	213	47		6.57	6.1	7.00	25	405		56.83	3.1	0.95	GK49 GKF49 GKA49 GKAF49	4P	29	349	48.95			6.0	1.10	30	328	46.04	6.3			1.15	35	282	39.61	6.7	1.35			40	252	35.39	6.7	1.50	GK49 GKF49 GKA49 GKAF49	4P	45	223	31.30	6.6	1.70	48	209			29.32	6.5	1.80	54	185	25.91	6.4	2.10			64	155	21.81	6.2	2.40	72	140	19.58			6.0	2.70	47	214	29.96	3.2	0.90	GK39 GKF39 GKA39 GKAF39	4P	56	178	24.99	3.3	1.05	60	167	23.36	3.3	1.10	69	144	20.19	3.2	1.20	82	122	17.15	3.2	1.40	91	109	15.32	3.2	1.50	107	93	13.08
2.3	4131	610	78	3.20			2.6	3718	549	78	3.50	2.9	3230	477	78	4.05	14	689	96.66	18	2.10	GK79	4P	16	632	88.61	18		2.30	GKF79	18	554	77.76		19	2.70	GKA79	19		525	73.69	19	2.80	GKAF79	13	770	108.03	10	1.00	GK69	4P	14	732	102.62	10		1.05	GKF69	16	642		90.04	11	1.20		GKA69	18	544	76.37	11	1.45	GKAF69	20	492	68.95	12	1.60	GK69 GKF69 GKA69 GKAF69	4P	23	432	60.66			12	1.80			24			408	57.28	12	1.90	29	348	48.77	12	2.20	32	316	44.32	12	2.50	GK69 GKF69 GKA69 GKAF69	4P	36	274	38.39					12	2.80			16	643	90.26	2.3	0.90	GK59 GKF59 GKA59 GKAF59	4P	18			546			76.56					7.4	1.05	20	493	69.12	7.9	1.15	23	433	60.81	8.2	1.30	24	409	57.42	8.3	1.40	29	349	48.89	8.6	1.65	32	317	44.43	8.7	1.80	36	274	38.49	8.9	2.10	39	254	35.70	8.9	2.20	46	216	30.28	9.1	2.60	51	195	27.34	9.0	2.90			58	171	24.05			8.8	3.30	GK59 GKF59 GKA59 GKAF59			4P	62			162	22.71	8.6	3.50	72	138	19.34	8.3	4.00	80	125	17.57	8.1	4.20	92	108	15.22	7.8	4.70	106	94	13.25	7.5	5.10	117	85	11.92	7.2	4.60	124	80	11.26	7.1	4.90	146	68	9.59	6.8	5.60	161	62	8.71	6.6	6.00	185	54	7.55	6.3	6.40	213	47	6.57	6.1		7.00	25	405	56.83	3.1		0.95	GK49 GKF49 GKA49 GKAF49	4P	29		349	48.95	6.0			1.10	30	328	46.04	6.3	1.15			35	282	39.61	6.7	1.35	40			252	35.39	6.7	1.50	GK49 GKF49 GKA49 GKAF49			4P	45	223	31.30	6.6	1.70	48			209	29.32	6.5	1.80	54	185	25.91	6.4			2.10	64	155	21.81	6.2	2.40	72	140			19.58	6.0	2.70	47	214	29.96	3.2			0.90	GK39 GKF39 GKA39 GKAF39	4P	56	178	24.99	3.3	1.05	60	167	23.36	3.3	1.10	69	144	20.19	3.2	1.20	82	122	17.15	3.2	1.40	91	109	15.32	3.2	1.50
2.6	3718	549	78	3.50			2.9	3230	477	78	4.05	14	689	96.66	18	2.10	GK79	4P	16	632	88.61	18		2.30	GKF79	18	554		77.76	19	2.70	GKA79	19		525	73.69	19	2.80	GKAF79	13	770	108.03	10	1.00	GK69	4P	14	732	102.62	10		1.05	GKF69	16	642		90.04	11	1.20	GKA69		18	544	76.37	11	1.45	GKAF69	20	492	68.95	12	1.60	GK69 GKF69 GKA69 GKAF69	4P	23	432	60.66			12	1.80	24			408	57.28			12	1.90	29	348	48.77	12	2.20	32	316	44.32	12	2.50	GK69 GKF69 GKA69 GKAF69	4P	36	274	38.39			12	2.80	16				643	90.26	2.3	0.90		GK59 GKF59 GKA59 GKAF59	4P	18	546	76.56			7.4			1.05			20					493	69.12	7.9	1.15	23	433	60.81	8.2	1.30	24	409	57.42	8.3	1.40	29	349	48.89	8.6	1.65	32	317	44.43	8.7	1.80	36	274	38.49	8.9	2.10	39	254	35.70	8.9	2.20	46	216	30.28	9.1	2.60	51	195	27.34	9.0	2.90	58	171	24.05			8.8	3.30	GK59 GKF59 GKA59 GKAF59			4P	62					162			22.71	8.6	3.50	72	138	19.34	8.3	4.00	80	125	17.57	8.1	4.20	92	108	15.22	7.8	4.70	106	94	13.25	7.5	5.10	117	85	11.92	7.2	4.60	124	80	11.26	7.1	4.90	146	68	9.59	6.8	5.60	161	62	8.71	6.6	6.00	185	54	7.55	6.3	6.40	213	47	6.57	6.1	7.00	25	405	56.83	3.1	0.95	GK49 GKF49 GKA49 GKAF49		4P	29		349		48.95	6.0	1.10			30	328	46.04	6.3	1.15	35			282	39.61	6.7	1.35	40	252			35.39	6.7	1.50	GK49 GKF49 GKA49 GKAF49					4P	45	223	31.30	6.6	1.70			48	209	29.32	6.5	1.80	54	185	25.91			6.4	2.10	64	155	21.81	6.2	2.40	72			140	19.58	6.0	2.70	47	214	29.96			3.2			0.90	GK39 GKF39 GKA39 GKAF39	4P	56	178	24.99	3.3	1.05	60	167	23.36	3.3	1.10	69	144	20.19	3.2	1.20	82	122	17.15	3.2	1.40	91	109
2.9	3230	477	78	4.05			14	689	96.66	18	2.10	GK79	4P	16	632	88.61	18		2.30	GKF79	18	554		77.76	19	2.70	GKA79		19	525	73.69	19	2.80	GKAF79	13	770	108.03	10	1.00	GK69	4P	14	732	102.62	10		1.05	GKF69	16	642		90.04	11	1.20	GKA69		18	544	76.37	11	1.45	GKAF69	20	492	68.95	12	1.60	GK69 GKF69 GKA69 GKAF69	4P	23	432	60.66			12	1.80	24			408	57.28	12			1.90	29	348	48.77	12	2.20	32	316	44.32	12	2.50	GK69 GKF69 GKA69 GKAF69	4P	36	274	38.39			12	2.80	16			643	90.26	2.3			0.90	GK59 GKF59 GKA59 GKAF59	4P	18	546	76.56			7.4	1.05	20			493			69.12			7.9					1.15	23	433	60.81	8.2	1.30	24	409	57.42	8.3	1.40	29	349	48.89	8.6	1.65	32	317	44.43	8.7	1.80	36	274	38.49	8.9	2.10	39	254	35.70	8.9	2.20	46	216	30.28	9.1	2.60	51	195	27.34	9.0	2.90	58	171	24.05	8.8	3.30	GK59 GKF59 GKA59 GKAF59			4P	62					162					22.71			8.6	3.50	72	138	19.34	8.3	4.00	80	125	17.57	8.1	4.20	92	108	15.22	7.8	4.70	106	94	13.25	7.5	5.10	117	85	11.92	7.2	4.60	124	80	11.26	7.1	4.90	146	68	9.59	6.8	5.60	161	62	8.71	6.6	6.00	185	54	7.55	6.3	6.40	213	47	6.57	6.1	7.00	25	405	56.83	3.1	0.95	GK49 GKF49 GKA49 GKAF49	4P	29		349		48.95		6.0	1.10	30	328	46.04	6.3	1.15	35	282	39.61	6.7			1.35	40	252	35.39	6.7	1.50			GK49 GKF49 GKA49 GKAF49	4P	45							223	31.30	6.6	1.70	48			209	29.32	6.5	1.80	54	185	25.91	6.4			2.10	64	155	21.81	6.2	2.40	72	140			19.58	6.0	2.70	47	214	29.96	3.2			0.90			GK39 GKF39 GKA39 GKAF39			4P	56	178	24.99	3.3	1.05	60	167	23.36	3.3	1.10	69	144	20.19	3.2	1.20	82	122	17.15	3.2	1.40	91
14	689	96.66	18	2.10			GK79	4P																																																																																																																																																																																																																																																																																																																																																														
16	632	88.61	18	2.30	GKF79	18	554		77.76	19	2.70	GKA79		19	525	73.69	19		2.80	GKAF79	13	770	108.03	10	1.00	GK69	4P	14	732	102.62	10	1.05	GKF69	16	642	90.04	11	1.20	GKA69	18		544	76.37	11	1.45		GKAF69	20	492	68.95	12	1.60	GK69 GKF69 GKA69 GKAF69	4P	23	432	60.66	12	1.80	24	408	57.28	12	1.90	29	348	48.77			12	2.20	32			316	44.32	12	2.50	GK69 GKF69 GKA69 GKAF69	4P	36	274	38.39	12	2.80	16	643	90.26	2.3	0.90	GK59 GKF59 GKA59 GKAF59	4P	18	546	76.56			7.4	1.05	20			493	69.12	7.9	1.15	23	433	60.81	8.2	1.30	24	409			57.42	8.3	1.40			29	349	48.89			8.6			1.65			32					317	44.43	8.7	1.80	36	274	38.49	8.9	2.10	39	254	35.70	8.9	2.20	46	216	30.28	9.1	2.60	51	195	27.34	9.0	2.90	58	171	24.05	8.8	3.30	GK59 GKF59 GKA59 GKAF59	4P	62	162	22.71	8.6	3.50	72	138	19.34	8.3	4.00	80	125	17.57	8.1	4.20					92					108					15.22			7.8	4.70	106	94	13.25	7.5	5.10	117	85	11.92	7.2	4.60	124	80	11.26	7.1	4.90	146	68	9.59	6.8	5.60	161	62	8.71	6.6	6.00	185	54	7.55	6.3	6.40	213	47	6.57	6.1	7.00	25	405	56.83	3.1	0.95	GK49 GKF49 GKA49 GKAF49	4P	29	349	48.95	6.0	1.10	30	328	46.04	6.3	1.15	35	282	39.61	6.7		1.35		40	252	35.39	6.7	1.50	GK49 GKF49 GKA49 GKAF49	4P	45	223	31.30	6.6	1.70	48	209	29.32	6.5	1.80	54	185	25.91	6.4	2.10	64	155	21.81			6.2							2.40	72	140	19.58	6.0	2.70	47	214	29.96	3.2	0.90	GK39 GKF39 GKA39 GKAF39	4P	56	178			24.99	3.3	1.05	60	167	23.36	3.3	1.10			69	144	20.19	3.2	1.20	82	122			17.15							3.2	1.40	91	109	15.32	3.2	1.50	107	93	13.08	3.1	1.70									
18	554	77.76	19	2.70	GKA79	19	525		73.69	19	2.80	GKAF79		13	770	108.03	10	1.00	GK69	4P	14	732	102.62	10	1.05	GKF69		16	642	90.04	11	1.20	GKA69	18	544	76.37	11	1.45	GKAF69	20		492	68.95	12	1.60	GK69 GKF69 GKA69 GKAF69	4P	23	432	60.66	12	1.80			24	408	57.28	12	1.90	29	348	48.77	12	2.20	32	316	44.32			12	2.50	GK69 GKF69 GKA69 GKAF69	4P	36	274	38.39	12	2.80			16	643	90.26	2.3	0.90	GK59 GKF59 GKA59 GKAF59	4P	18	546	76.56			7.4	1.05	20			493	69.12	7.9	1.15	23	433	60.81	8.2	1.30	24	409	57.42	8.3	1.40	29	349			48.89	8.6	1.65			32	317	44.43			8.7			1.80			36					274	38.49	8.9	2.10	39	254	35.70	8.9	2.20	46	216	30.28	9.1	2.60	51	195	27.34	9.0	2.90	58	171	24.05	8.8	3.30	GK59 GKF59 GKA59 GKAF59	4P	62	162	22.71			8.6	3.50	72	138	19.34	8.3	4.00	80	125	17.57	8.1	4.20	92	108	15.22					7.8					4.70					106			94	13.25	7.5	5.10	117	85	11.92	7.2	4.60	124	80	11.26	7.1	4.90	146	68	9.59	6.8	5.60	161	62	8.71	6.6	6.00	185	54	7.55	6.3	6.40	213	47	6.57	6.1	7.00	25	405	56.83	3.1	0.95	GK49 GKF49 GKA49 GKAF49	4P	29	349		48.95	6.0	1.10	30	328	46.04	6.3	1.15	35	282	39.61	6.7	1.35	40		252	35.39	6.7	1.50	GK49 GKF49 GKA49 GKAF49	4P	45			223	31.30	6.6	1.70	48	209	29.32	6.5	1.80	54	185	25.91	6.4	2.10	64	155	21.81	6.2			2.40			72	140			19.58	6.0	2.70	47	214	29.96	3.2	0.90	GK39 GKF39 GKA39 GKAF39	4P	56			178	24.99	3.3	1.05	60	167	23.36	3.3	1.10	69	144	20.19			3.2	1.20	82	122	17.15	3.2	1.40			91							109	15.32	3.2	1.50	107	93	13.08	3.1	1.70												
19	525	73.69	19	2.80	GKAF79	13	770		108.03	10	1.00	GK69	4P	14	732	102.62	10	1.05	GKF69		16	642	90.04	11	1.20	GKA69		18	544	76.37	11	1.45	GKAF69	20	492	68.95	12	1.60	GK69 GKF69 GKA69 GKAF69	4P	23	432	60.66	12	1.80			24	408	57.28	12	1.90			29	348	48.77	12	2.20	32	316	44.32	12	2.50	GK69 GKF69 GKA69 GKAF69	4P	36	274	38.39	12	2.80			16	643	90.26	2.3	0.90			GK59 GKF59 GKA59 GKAF59	4P	18	546	76.56			7.4	1.05	20			493	69.12	7.9	1.15	23	433	60.81	8.2	1.30	24	409	57.42	8.3	1.40	29	349	48.89	8.6	1.65	32	317			44.43	8.7	1.80			36	274	38.49			8.9	2.10	39	254			35.70					8.9	2.20	46	216	30.28	9.1	2.60	51	195	27.34	9.0	2.90	58	171	24.05	8.8	3.30	GK59 GKF59 GKA59 GKAF59	4P	62	162	22.71	8.6	3.50			72	138	19.34			8.3	4.00	80	125	17.57	8.1	4.20	92	108	15.22	7.8	4.70	106	94	13.25		7.5	5.10		117					85					11.92			7.2	4.60	124	80	11.26	7.1	4.90	146	68	9.59	6.8	5.60	161	62	8.71	6.6	6.00	185	54	7.55	6.3	6.40	213	47	6.57	6.1	7.00	25	405	56.83	3.1	0.95	GK49 GKF49 GKA49 GKAF49	4P	29	349	48.95	6.0	1.10	30		328	46.04		6.3	1.15	35	282	39.61	6.7	1.35	40	252	35.39	6.7	1.50	GK49 GKF49 GKA49 GKAF49	4P	45	223	31.30	6.6	1.70			48			209	29.32	6.5	1.80	54	185	25.91	6.4	2.10	64	155	21.81	6.2	2.40	72	140	19.58	6.0			2.70		47	214	29.96	3.2		0.90	GK39 GKF39 GKA39 GKAF39	4P	56	178	24.99	3.3	1.05			60			167	23.36	3.3	1.10	69	144	20.19	3.2	1.20	82	122	17.15	3.2	1.40	91	109	15.32	3.2	1.50	107	93			13.08							3.1	1.70																			
13	770	108.03	10	1.00	GK69	4P																																																																																																																																																																																																																																																																																																																																																																
14	732	102.62	10	1.05	GKF69		16	642	90.04	11	1.20	GKA69		18	544	76.37	11	1.45	GKAF69		20	492	68.95	12	1.60	GK69 GKF69 GKA69 GKAF69	4P	23	432	60.66	12	1.80	24	408	57.28	12	1.90	29			348	48.77	12	2.20	32			316	44.32	12	2.50	GK69 GKF69 GKA69 GKAF69	4P	36	274	38.39	12	2.80	16	643	90.26	2.3	0.90	GK59 GKF59 GKA59 GKAF59			4P	18	546	76.56	7.4			1.05	20	493	69.12	7.9	1.15	23			433	60.81	8.2			1.30	24	409			57.42	8.3	1.40	29	349	48.89	8.6	1.65	32	317	44.43	8.7	1.80	36	274	38.49	8.9	2.10	39	254	35.70			8.9	2.20	46			216	30.28	9.1			2.60	51	195	27.34	9.0	2.90	58	171	24.05			8.8	3.30	GK59 GKF59 GKA59 GKAF59	4P	62	162	22.71	8.6	3.50	72	138	19.34	8.3	4.00	80	125	17.57			8.1	4.20	92	108	15.22			7.8	4.70	106			94	13.25	7.5	5.10	117	85	11.92	7.2	4.60	124	80	11.26	7.1	4.90	146		68	9.59		6.8		5.60	161		62		8.71	6.6		6.00			185	54	7.55	6.3	6.40	213	47	6.57	6.1	7.00	25	405	56.83	3.1	0.95	GK49 GKF49 GKA49 GKAF49	4P	29	349	48.95	6.0	1.10	30	328	46.04	6.3	1.15	35	282	39.61	6.7	1.35	40		252	35.39	6.7	1.50	GK49 GKF49 GKA49 GKAF49	4P		45	223	31.30	6.6	1.70	48	209	29.32	6.5	1.80	54	185	25.91	6.4	2.10			64	155	21.81	6.2	2.40			72			140	19.58	6.0	2.70	47	214	29.96	3.2	0.90	GK39 GKF39 GKA39 GKAF39	4P	56	178	24.99	3.3	1.05	60	167	23.36	3.3	1.10	69	144	20.19	3.2	1.20	82	122			17.15	3.2	1.40	91	109			15.32			3.2	1.50	107	93	13.08	3.1	1.70																																												
16	642	90.04	11	1.20	GKA69		18	544	76.37	11	1.45	GKAF69		20	492	68.95	12	1.60	GK69 GKF69 GKA69 GKAF69	4P	23	432	60.66	12	1.80			24	408	57.28	12	1.90	29	348	48.77	12	2.20	32			316	44.32	12	2.50	GK69 GKF69 GKA69 GKAF69	4P	36	274	38.39	12	2.80			16	643	90.26	2.3	0.90	GK59 GKF59 GKA59 GKAF59	4P	18	546	76.56					7.4	1.05	20	493	69.12	7.9	1.15	23	433	60.81	8.2	1.30	24			409	57.42	8.3			1.40	29	349			48.89	8.6	1.65	32	317	44.43	8.7	1.80	36	274	38.49	8.9	2.10	39	254	35.70	8.9	2.20	46	216	30.28			9.1	2.60	51			195	27.34	9.0			2.90	58	171	24.05	8.8	3.30	GK59 GKF59 GKA59 GKAF59	4P	62	162	22.71	8.6	3.50			72	138	19.34	8.3	4.00	80	125	17.57	8.1	4.20	92	108	15.22			7.8	4.70	106	94	13.25			7.5	5.10	117			85	11.92	7.2	4.60	124	80	11.26	7.1	4.90	146	68	9.59	6.8	5.60	161		62	8.71		6.6		6.00	185		54		7.55	6.3		6.40	213	47	6.57	6.1	7.00	25	405	56.83	3.1	0.95	GK49 GKF49 GKA49 GKAF49	4P	29	349	48.95	6.0	1.10	30		328	46.04	6.3	1.15	35	282	39.61	6.7	1.35	40	252	35.39	6.7	1.50	GK49 GKF49 GKA49 GKAF49	4P		45	223	31.30	6.6			1.70	48	209	29.32	6.5	1.80	54	185	25.91	6.4	2.10	64	155	21.81	6.2	2.40			72	140	19.58	6.0	2.70			47			214	29.96	3.2	0.90	GK39 GKF39 GKA39 GKAF39	4P	56	178	24.99			3.3	1.05	60	167	23.36	3.3	1.10	69	144	20.19	3.2	1.20	82	122	17.15	3.2	1.40			91	109	15.32	3.2	1.50			107			93	13.08	3.1	1.70																																															
18	544	76.37	11	1.45	GKAF69		20	492	68.95	12	1.60	GK69 GKF69 GKA69 GKAF69	4P	23	432	60.66	12	1.80			24	408	57.28	12	1.90			29	348	48.77	12	2.20	32	316	44.32	12	2.50	GK69 GKF69 GKA69 GKAF69	4P	36	274	38.39	12	2.80			16	643	90.26	2.3	0.90			GK59 GKF59 GKA59 GKAF59	4P	18	546	76.56			7.4	1.05	20		493	69.12		7.9	1.15	23	433	60.81	8.2	1.30	24	409	57.42	8.3	1.40	29			349	48.89	8.6			1.65	32	317			44.43	8.7	1.80	36	274	38.49	8.9	2.10	39	254	35.70	8.9	2.20	46	216	30.28	9.1	2.60	51	195	27.34			9.0	2.90	58			171	24.05	8.8	3.30	GK59 GKF59 GKA59 GKAF59	4P	62	162	22.71	8.6	3.50			72	138	19.34	8.3	4.00			80	125	17.57	8.1	4.20	92	108	15.22	7.8	4.70	106	94	13.25			7.5	5.10	117	85	11.92			7.2	4.60	124			80	11.26	7.1	4.90	146	68	9.59	6.8	5.60	161	62	8.71	6.6	6.00	185		54	7.55		6.3		6.40	213		47	6.57	6.1	7.00	25	405	56.83	3.1	0.95	GK49 GKF49 GKA49 GKAF49	4P	29	349	48.95	6.0	1.10	30		328	46.04	6.3	1.15	35	282		39.61	6.7	1.35	40	252	35.39	6.7	1.50	GK49 GKF49 GKA49 GKAF49	4P	45	223	31.30	6.6			1.70	48	209	29.32	6.5			1.80	54	185	25.91	6.4	2.10	64	155	21.81	6.2	2.40	72	140	19.58	6.0	2.70			47	214	29.96	3.2	0.90			GK39 GKF39 GKA39 GKAF39	4P	56	178	24.99	3.3	1.05			60	167	23.36			3.3	1.10	69	144	20.19	3.2	1.20	82	122	17.15	3.2	1.40	91	109	15.32	3.2	1.50			107	93	13.08	3.1	1.70																																																								
20	492	68.95	12	1.60	GK69 GKF69 GKA69 GKAF69	4P																																																																																																																																																																																																																																																																																																																																																																
23	432	60.66	12	1.80			24	408	57.28	12	1.90			29	348	48.77	12	2.20			32	316	44.32	12	2.50	GK69 GKF69 GKA69 GKAF69	4P	36	274	38.39	12	2.80	16	643	90.26	2.3	0.90			GK59 GKF59 GKA59 GKAF59	4P	18	546	76.56			7.4	1.05	20	493	69.12	7.9	1.15			23	433	60.81			8.2	1.30	24		409	57.42		8.3	1.40	29	349	48.89	8.6	1.65	32	317	44.43	8.7	1.80	36			274	38.49	8.9			2.10	39	254			35.70	8.9	2.20	46	216	30.28	9.1	2.60	51	195	27.34	9.0	2.90	58	171	24.05	8.8	3.30	GK59 GKF59 GKA59 GKAF59	4P	62	162	22.71	8.6	3.50	72	138	19.34	8.3	4.00	80	125			17.57	8.1	4.20	92	108			15.22	7.8	4.70	106	94			13.25	7.5	5.10	117	85	11.92	7.2	4.60	124	80	11.26	7.1	4.90			146	68	9.59	6.8	5.60			161	62	8.71			6.6	6.00	185	54	7.55	6.3	6.40	213	47	6.57	6.1	7.00	25	405	56.83	3.1	0.95	GK49 GKF49 GKA49 GKAF49	4P	29	349	48.95	6.0	1.10	30	328	46.04	6.3	1.15	35	282	39.61	6.7	1.35		40	252	35.39	6.7	1.50	GK49 GKF49 GKA49 GKAF49		4P	45	223	31.30	6.6	1.70	48	209	29.32	6.5	1.80	54	185	25.91	6.4			2.10	64	155	21.81			6.2	2.40	72	140	19.58			6.0	2.70	47	214	29.96	3.2	0.90	GK39 GKF39 GKA39 GKAF39	4P	56	178	24.99	3.3	1.05	60	167	23.36	3.3	1.10	69	144	20.19	3.2	1.20	82			122	17.15	3.2	1.40	91			109	15.32	3.2			1.50	107	93	13.08	3.1	1.70																																																																										
24	408	57.28	12	1.90			29	348	48.77	12	2.20			32	316	44.32	12	2.50	GK69 GKF69 GKA69 GKAF69	4P	36	274	38.39	12	2.80			16	643	90.26	2.3	0.90	GK59 GKF59 GKA59 GKAF59	4P	18	546	76.56					7.4	1.05	20	493	69.12	7.9	1.15	23	433	60.81	8.2	1.30			24	409	57.42			8.3	1.40	29		349	48.89		8.6	1.65	32	317	44.43	8.7	1.80	36	274	38.49	8.9	2.10	39			254	35.70	8.9			2.20	46	216			30.28	9.1	2.60	51	195	27.34	9.0	2.90	58	171	24.05	8.8	3.30	GK59 GKF59 GKA59 GKAF59	4P	62	162	22.71			8.6	3.50	72	138	19.34	8.3	4.00	80	125	17.57	8.1	4.20			92	108	15.22	7.8	4.70			106	94	13.25	7.5	5.10			117	85	11.92	7.2	4.60	124	80	11.26	7.1	4.90	146	68	9.59			6.8	5.60	161	62	8.71			6.6	6.00	185			54	7.55	6.3	6.40	213	47	6.57	6.1	7.00	25	405	56.83	3.1	0.95	GK49 GKF49 GKA49 GKAF49	4P	29	349		48.95	6.0	1.10	30	328	46.04	6.3	1.15	35	282	39.61	6.7	1.35	40	252		35.39	6.7	1.50	GK49 GKF49 GKA49 GKAF49	4P		45		223	31.30	6.6	1.70	48	209	29.32	6.5	1.80	54	185	25.91	6.4	2.10			64	155	21.81	6.2			2.40	72	140	19.58	6.0			2.70	47	214	29.96	3.2	0.90	GK39 GKF39 GKA39 GKAF39			4P	56	178	24.99	3.3	1.05	60	167	23.36	3.3	1.10	69	144	20.19	3.2	1.20			82	122	17.15	3.2	1.40			91	109	15.32			3.2	1.50	107	93	13.08	3.1	1.70																																																																									
29	348	48.77	12	2.20			32	316	44.32	12	2.50	GK69 GKF69 GKA69 GKAF69	4P	36	274	38.39	12	2.80			16	643	90.26	2.3	0.90			GK59 GKF59 GKA59 GKAF59	4P	18	546	76.56			7.4	1.05	20	493	69.12			7.9	1.15	23	433	60.81	8.2	1.30	24	409	57.42	8.3	1.40			29	349	48.89			8.6	1.65	32		317	44.43		8.7	1.80	36	274	38.49	8.9	2.10	39	254	35.70	8.9	2.20	46			216	30.28	9.1			2.60	51	195	27.34	9.0	2.90	58	171	24.05	8.8	3.30	GK59 GKF59 GKA59 GKAF59	4P	62	162	22.71	8.6	3.50			72	138	19.34			8.3	4.00	80	125	17.57	8.1	4.20	92	108	15.22	7.8	4.70			106	94	13.25	7.5	5.10			117	85	11.92	7.2	4.60			124	80	11.26	7.1	4.90	146	68	9.59	6.8	5.60	161	62	8.71			6.6	6.00	185	54	7.55			6.3	6.40	213	47	6.57	6.1	7.00	25	405	56.83	3.1	0.95	GK49 GKF49 GKA49 GKAF49	4P	29	349	48.95	6.0	1.10	30		328	46.04		6.3	1.15	35	282	39.61	6.7	1.35	40	252	35.39	6.7	1.50	GK49 GKF49 GKA49 GKAF49	4P	45	223	31.30	6.6	1.70				48		209	29.32	6.5	1.80	54	185	25.91	6.4	2.10	64	155	21.81	6.2	2.40			72	140	19.58	6.0			2.70	47	214	29.96	3.2	0.90	GK39 GKF39 GKA39 GKAF39	4P	56	178	24.99	3.3	1.05					60	167	23.36	3.3	1.10	69	144	20.19	3.2	1.20	82	122	17.15	3.2	1.40			91	109	15.32	3.2	1.50			107	93	13.08			3.1	1.70																																																																														
32	316	44.32	12	2.50	GK69 GKF69 GKA69 GKAF69	4P																																																																																																																																																																																																																																																																																																																																																																
36	274	38.39	12	2.80			16	643	90.26	2.3	0.90			GK59 GKF59 GKA59 GKAF59	4P	18	546	76.56			7.4	1.05	20	493	69.12	7.9	1.15			23	433	60.81			8.2	1.30	24	409	57.42			8.3	1.40	29	349	48.89	8.6	1.65	32	317	44.43	8.7	1.80			36	274	38.49			8.9	2.10	39		254	35.70		8.9	2.20	46	216	30.28	9.1	2.60	51	195	27.34	9.0	2.90	58	171	24.05	8.8	3.30	GK59 GKF59 GKA59 GKAF59	4P	62	162	22.71	8.6	3.50	72	138	19.34	8.3	4.00	80	125			17.57	8.1	4.20	92	108			15.22	7.8	4.70			106	94	13.25	7.5	5.10	117	85	11.92	7.2	4.60	124	80			11.26	7.1	4.90	146	68			9.59	6.8	5.60	161	62			8.71	6.6	6.00	185	54	7.55	6.3	6.40	213	47	6.57	6.1	7.00	25	405	56.83	3.1	0.95	GK49 GKF49 GKA49 GKAF49	4P	29	349	48.95	6.0	1.10	30	328	46.04	6.3	1.15	35	282	39.61	6.7	1.35		40	252	35.39	6.7	1.50	GK49 GKF49 GKA49 GKAF49		4P	45	223	31.30	6.6	1.70	48	209	29.32	6.5	1.80	54	185	25.91	6.4			2.10	64	155	21.81	6.2				2.40		72	140	19.58	6.0	2.70	47	214	29.96	3.2	0.90	GK39 GKF39 GKA39 GKAF39	4P	56	178	24.99	3.3	1.05	60	167	23.36	3.3	1.10	69	144	20.19	3.2	1.20	82			122	17.15	3.2	1.40	91					109	15.32	3.2	1.50	107	93	13.08	3.1	1.70																																																																																																				
16	643	90.26	2.3	0.90			GK59 GKF59 GKA59 GKAF59	4P																																																																																																																																																																																																																																																																																																																																																														
18	546	76.56	7.4	1.05					20	493	69.12	7.9	1.15			23	433	60.81	8.2	1.30	24	409	57.42	8.3	1.40	29	349			48.89	8.6	1.65			32	317	44.43	8.7	1.80			36	274	38.49	8.9	2.10	39	254	35.70	8.9	2.20	46	216			30.28	9.1	2.60			51	195	27.34	9.0	2.90	58	171	24.05	8.8	3.30	GK59 GKF59 GKA59 GKAF59	4P	62	162	22.71	8.6	3.50	72	138	19.34	8.3	4.00	80	125			17.57	8.1	4.20	92	108	15.22	7.8	4.70	106	94	13.25	7.5			5.10	117	85	11.92	7.2			4.60	124	80			11.26	7.1	4.90	146	68	9.59	6.8	5.60	161	62	8.71	6.6			6.00	185	54	7.55	6.3			6.40	213	47	6.57	6.1	7.00	25	405	56.83	3.1	0.95	GK49 GKF49 GKA49 GKAF49	4P	29	349	48.95	6.0	1.10	30	328	46.04	6.3	1.15	35	282	39.61		6.7	1.35	40	252	35.39	6.7	1.50	GK49 GKF49 GKA49 GKAF49	4P	45	223	31.30	6.6	1.70	48	209	29.32	6.5	1.80	54	185		25.91		6.4	2.10	64	155	21.81	6.2	2.40	72	140	19.58	6.0	2.70	47	214			29.96	3.2	0.90	GK39 GKF39 GKA39 GKAF39	4P			56	178	24.99	3.3	1.05	60	167	23.36	3.3	1.10	69	144	20.19			3.2	1.20	82	122	17.15	3.2	1.40	91	109	15.32	3.2	1.50	107	93	13.08	3.1			1.70																																																																																																																					
20	493	69.12	7.9	1.15	23	433			60.81	8.2	1.30	24	409			57.42	8.3	1.40	29	349	48.89	8.6	1.65	32	317	44.43	8.7			1.80	36	274			38.49	8.9	2.10	39	254			35.70	8.9	2.20	46	216	30.28	9.1	2.60	51	195	27.34	9.0			2.90	58	171	24.05	8.8	3.30	GK59 GKF59 GKA59 GKAF59	4P	62	162	22.71	8.6	3.50	72	138			19.34	8.3	4.00	80	125	17.57	8.1	4.20	92	108	15.22	7.8			4.70	106	94	13.25	7.5	5.10	117	85	11.92	7.2	4.60	124			80	11.26	7.1	4.90	146			68	9.59	6.8			5.60	161	62	8.71	6.6	6.00	185	54	7.55	6.3	6.40	213			47	6.57	6.1	7.00	25	405	56.83	3.1	0.95	GK49 GKF49 GKA49 GKAF49	4P	29	349	48.95	6.0	1.10	30	328	46.04		6.3	1.15	35	282	39.61	6.7	1.35	40	252	35.39	6.7	1.50	GK49 GKF49 GKA49 GKAF49		4P	45	223	31.30	6.6	1.70	48			209	29.32	6.5	1.80	54	185	25.91	6.4	2.10	64	155	21.81		6.2		2.40	72	140	19.58	6.0	2.70	47	214	29.96	3.2	0.90	GK39 GKF39 GKA39 GKAF39	4P	56			178	24.99	3.3			1.05	60	167	23.36	3.3	1.10	69	144	20.19	3.2	1.20	82	122	17.15	3.2			1.40	91	109	15.32	3.2	1.50	107	93	13.08	3.1	1.70																																																																																																																													
23	433	60.81	8.2	1.30	24	409			57.42	8.3	1.40	29	349			48.89	8.6	1.65	32	317	44.43	8.7	1.80	36	274	38.49	8.9			2.10	39	254			35.70	8.9	2.20	46	216			30.28	9.1	2.60	51	195	27.34	9.0	2.90	58	171	24.05	8.8	3.30	GK59 GKF59 GKA59 GKAF59	4P	62	162	22.71	8.6	3.50			72	138	19.34	8.3	4.00	80	125			17.57	8.1	4.20	92	108	15.22	7.8	4.70	106	94	13.25	7.5			5.10	117	85	11.92	7.2	4.60	124	80	11.26	7.1	4.90	146			68	9.59	6.8	5.60	161			62	8.71	6.6			6.00	185	54	7.55	6.3	6.40	213	47	6.57	6.1	7.00	25	405	56.83	3.1	0.95	GK49 GKF49 GKA49 GKAF49	4P	29	349	48.95	6.0	1.10	30		328	46.04	6.3	1.15	35	282	39.61	6.7		1.35	40	252	35.39	6.7	1.50	GK49 GKF49 GKA49 GKAF49	4P	45	223	31.30	6.6		1.70		48	209	29.32	6.5	1.80	54			185	25.91	6.4	2.10	64	155	21.81	6.2	2.40	72	140	19.58		6.0		2.70	47	214	29.96	3.2	0.90	GK39 GKF39 GKA39 GKAF39	4P	56	178	24.99			3.3	1.05	60	167	23.36	3.3			1.10	69	144	20.19	3.2	1.20	82	122	17.15	3.2	1.40	91	109	15.32	3.2			1.50	107	93	13.08	3.1	1.70																																																																																																																																		
24	409	57.42	8.3	1.40	29	349			48.89	8.6	1.65	32	317			44.43	8.7	1.80	36	274	38.49	8.9	2.10	39	254	35.70	8.9			2.20	46	216			30.28	9.1	2.60	51	195			27.34	9.0	2.90	58	171	24.05	8.8	3.30	GK59 GKF59 GKA59 GKAF59	4P	62	162	22.71			8.6	3.50	72	138	19.34			8.3	4.00	80	125	17.57	8.1	4.20			92	108	15.22	7.8	4.70	106	94	13.25	7.5	5.10	117	85			11.92	7.2	4.60	124	80	11.26	7.1	4.90	146	68	9.59	6.8			5.60	161	62	8.71	6.6			6.00	185	54			7.55	6.3	6.40	213	47	6.57	6.1	7.00	25	405	56.83	3.1	0.95	GK49 GKF49 GKA49 GKAF49	4P	29	349		48.95	6.0	1.10	30	328	46.04		6.3	1.15	35	282	39.61	6.7	1.35	40		252	35.39	6.7	1.50	GK49 GKF49 GKA49 GKAF49	4P			45	223	31.30	6.6		1.70		48	209	29.32	6.5	1.80	54			185	25.91	6.4	2.10	64	155	21.81	6.2	2.40	72	140	19.58		6.0		2.70	47	214	29.96	3.2	0.90			GK39 GKF39 GKA39 GKAF39	4P	56			178	24.99	3.3	1.05	60	167			23.36	3.3	1.10	69	144	20.19	3.2	1.20	82	122	17.15	3.2	1.40	91	109			15.32	3.2	1.50	107	93	13.08	3.1	1.70																																																																																																																																
29	349	48.89	8.6	1.65	32	317			44.43	8.7	1.80	36	274			38.49	8.9	2.10	39	254	35.70	8.9	2.20	46	216	30.28	9.1			2.60	51	195			27.34	9.0	2.90	58	171	24.05	8.8	3.30	GK59 GKF59 GKA59 GKAF59	4P	62	162	22.71	8.6	3.50			72	138	19.34			8.3	4.00	80	125	17.57			8.1	4.20	92	108	15.22	7.8	4.70			106	94	13.25	7.5	5.10	117	85	11.92	7.2	4.60	124	80			11.26	7.1	4.90	146	68	9.59	6.8	5.60	161	62	8.71	6.6			6.00	185	54	7.55	6.3			6.40	213	47	6.57	6.1	7.00	25	405	56.83	3.1	0.95	GK49 GKF49 GKA49 GKAF49	4P	29	349	48.95	6.0	1.10	30		328	46.04		6.3	1.15	35	282	39.61	6.7		1.35	40	252	35.39	6.7	1.50	GK49 GKF49 GKA49 GKAF49	4P	45	223	31.30	6.6	1.70					48	209	29.32	6.5		1.80		54	185	25.91	6.4	2.10	64			155	21.81	6.2	2.40	72	140	19.58	6.0	2.70	47	214	29.96	3.2	0.90	GK39 GKF39 GKA39 GKAF39	4P	56	178	24.99	3.3	1.05					60			167	23.36	3.3	1.10	69	144			20.19	3.2	1.20	82	122	17.15	3.2	1.40	91	109	15.32	3.2	1.50	107	93			13.08	3.1	1.70																																																																																																																																					
32	317	44.43	8.7	1.80	36	274			38.49	8.9	2.10	39	254			35.70	8.9	2.20	46	216	30.28	9.1	2.60	51	195	27.34	9.0			2.90	58	171	24.05	8.8	3.30	GK59 GKF59 GKA59 GKAF59	4P	62	162	22.71	8.6	3.50			72	138	19.34	8.3	4.00			80	125	17.57			8.1	4.20	92	108	15.22			7.8	4.70	106	94	13.25	7.5	5.10			117	85	11.92	7.2	4.60	124	80	11.26	7.1	4.90	146	68			9.59	6.8	5.60	161	62	8.71	6.6	6.00	185	54	7.55	6.3			6.40	213	47	6.57	6.1	7.00	25	405	56.83	3.1	0.95	GK49 GKF49 GKA49 GKAF49	4P	29	349	48.95	6.0	1.10	30		328	46.04	6.3	1.15	35	282		39.61	6.7		1.35	40	252	35.39	6.7	1.50	GK49 GKF49 GKA49 GKAF49	4P	45	223	31.30	6.6	1.70			48	209	29.32	6.5	1.80					54	185	25.91	6.4		2.10		64	155	21.81	6.2	2.40	72			140	19.58	6.0	2.70	47	214	29.96	3.2	0.90	GK39 GKF39 GKA39 GKAF39	4P	56	178	24.99			3.3	1.05	60	167	23.36					3.3			1.10	69	144	20.19	3.2	1.20			82	122	17.15	3.2	1.40	91	109	15.32	3.2	1.50	107	93	13.08	3.1	1.70																																																																																																																																										
36	274	38.49	8.9	2.10	39	254			35.70	8.9	2.20	46	216			30.28	9.1	2.60	51	195	27.34	9.0	2.90	58	171	24.05	8.8	3.30	GK59 GKF59 GKA59 GKAF59	4P	62	162	22.71	8.6	3.50			72	138	19.34	8.3	4.00			80	125	17.57	8.1	4.20			92	108	15.22			7.8	4.70	106	94	13.25			7.5	5.10	117	85	11.92	7.2	4.60			124	80	11.26	7.1	4.90	146	68	9.59	6.8	5.60	161	62			8.71	6.6	6.00	185	54	7.55	6.3	6.40	213	47	6.57	6.1	7.00	25	405	56.83	3.1	0.95	GK49 GKF49 GKA49 GKAF49	4P	29	349	48.95	6.0	1.10	30		328	46.04	6.3	1.15	35	282		39.61	6.7	1.35	40	252	35.39		6.7	1.50	GK49 GKF49 GKA49 GKAF49	4P	45	223	31.30	6.6	1.70			48	209	29.32	6.5	1.80			54	185	25.91	6.4	2.10					64	155	21.81	6.2		2.40		72	140	19.58	6.0	2.70	47	214	29.96	3.2	0.90	GK39 GKF39 GKA39 GKAF39	4P	56	178	24.99	3.3	1.05			60	167	23.36			3.3	1.10	69	144	20.19					3.2			1.20	82	122	17.15	3.2	1.40			91	109	15.32	3.2	1.50	107	93	13.08	3.1	1.70																																																																																																																																															
39	254	35.70	8.9	2.20	46	216			30.28	9.1	2.60	51	195			27.34	9.0	2.90	58	171	24.05	8.8	3.30	GK59 GKF59 GKA59 GKAF59	4P	62	162	22.71			8.6	3.50	72	138	19.34			8.3	4.00	80	125	17.57			8.1	4.20	92	108	15.22			7.8	4.70	106			94	13.25	7.5	5.10	117			85	11.92	7.2	4.60	124	80	11.26			7.1	4.90	146	68	9.59	6.8	5.60	161	62	8.71	6.6	6.00			185	54	7.55	6.3	6.40	213	47	6.57	6.1	7.00	25	405	56.83	3.1	0.95	GK49 GKF49 GKA49 GKAF49	4P	29	349		48.95	6.0	1.10	30	328	46.04		6.3	1.15	35	282	39.61	6.7		1.35	40	252	35.39	6.7	1.50	GK49 GKF49 GKA49 GKAF49	4P	45			223	31.30	6.6	1.70	48			209	29.32	6.5	1.80	54			185	25.91	6.4	2.10	64					155	21.81	6.2	2.40	72	140	19.58	6.0	2.70	47	214	29.96	3.2	0.90	GK39 GKF39 GKA39 GKAF39	4P	56			178	24.99	3.3	1.05	60			167	23.36	3.3			1.10	69	144	20.19	3.2					1.20			82	122	17.15	3.2	1.40	91			109	15.32	3.2	1.50	107	93	13.08	3.1	1.70																																																																																																																																																
46	216	30.28	9.1	2.60	51	195			27.34	9.0	2.90	58	171	24.05	8.8	3.30	GK59 GKF59 GKA59 GKAF59	4P	62	162	22.71	8.6	3.50			72	138	19.34			8.3	4.00	80	125	17.57			8.1	4.20	92	108	15.22			7.8	4.70	106	94	13.25			7.5	5.10	117			85	11.92	7.2	4.60	124			80	11.26	7.1	4.90	146	68	9.59			6.8	5.60	161	62	8.71	6.6	6.00	185	54	7.55	6.3	6.40	213	47	6.57	6.1	7.00	25	405	56.83	3.1	0.95	GK49 GKF49 GKA49 GKAF49	4P	29	349	48.95	6.0	1.10	30		328	46.04		6.3	1.15	35	282	39.61	6.7		1.35	40	252	35.39	6.7	1.50	GK49 GKF49 GKA49 GKAF49	4P	45	223	31.30	6.6	1.70			48			209	29.32	6.5	1.80	54			185	25.91	6.4	2.10	64			155	21.81	6.2	2.40	72			140	19.58	6.0	2.70	47	214	29.96	3.2	0.90	GK39 GKF39 GKA39 GKAF39	4P	56	178	24.99	3.3	1.05			60			167	23.36	3.3	1.10	69			144	20.19	3.2			1.20	82	122	17.15	3.2					1.40			91	109	15.32	3.2	1.50	107	93	13.08	3.1	1.70																																																																																																																																																							
51	195	27.34	9.0	2.90	58	171	24.05	8.8	3.30	GK59 GKF59 GKA59 GKAF59	4P	62	162	22.71	8.6	3.50			72	138	19.34	8.3	4.00			80	125	17.57			8.1	4.20	92	108	15.22			7.8	4.70	106	94	13.25			7.5	5.10	117	85	11.92			7.2	4.60	124			80	11.26	7.1	4.90	146			68	9.59	6.8	5.60	161	62	8.71			6.6	6.00	185	54	7.55	6.3	6.40	213	47	6.57	6.1	7.00	25	405	56.83	3.1	0.95	GK49 GKF49 GKA49 GKAF49	4P	29	349	48.95	6.0		1.10	30	328	46.04	6.3	1.15		35	282		39.61	6.7	1.35	40	252	35.39	6.7	1.50	GK49 GKF49 GKA49 GKAF49	4P	45	223	31.30			6.6	1.70	48	209	29.32			6.5			1.80	54	185	25.91	6.4			2.10	64	155	21.81	6.2			2.40	72	140	19.58	6.0	2.70	47	214	29.96	3.2	0.90	GK39 GKF39 GKA39 GKAF39	4P	56	178	24.99			3.3	1.05	60	167	23.36			3.3			1.10	69	144	20.19	3.2			1.20	82	122			17.15	3.2	1.40	91	109					15.32	3.2	1.50	107	93	13.08	3.1	1.70																																																																																																																																																												
58	171	24.05	8.8	3.30	GK59 GKF59 GKA59 GKAF59	4P																																																																																																																																																																																																																																																																																																																																																																
62	162	22.71	8.6	3.50			72	138	19.34			8.3	4.00	80	125	17.57			8.1	4.20	92	108	15.22			7.8	4.70	106			94	13.25	7.5	5.10	117			85	11.92	7.2	4.60	124			80	11.26	7.1	4.90	146			68	9.59	6.8			5.60	161	62	8.71	6.6	6.00	185	54	7.55	6.3	6.40	213	47	6.57	6.1	7.00	25	405	56.83	3.1	0.95	GK49 GKF49 GKA49 GKAF49	4P	29	349	48.95	6.0	1.10	30	328	46.04	6.3	1.15	35		282	39.61	6.7	1.35		40	252	35.39	6.7	1.50	GK49 GKF49 GKA49 GKAF49	4P	45	223	31.30	6.6	1.70	48	209	29.32	6.5	1.80	54			185	25.91	6.4			2.10	64	155	21.81	6.2			2.40			72	140	19.58	6.0	2.70	47	214	29.96	3.2	0.90	GK39 GKF39 GKA39 GKAF39	4P	56	178	24.99	3.3	1.05	60	167	23.36	3.3	1.10	69	144	20.19			3.2	1.20	82			122	17.15	3.2	1.40	91			109			15.32	3.2	1.50	107	93			13.08	3.1	1.70																																																																																																																																																																															
72	138	19.34	8.3	4.00			80	125	17.57			8.1	4.20	92	108	15.22			7.8	4.70	106	94	13.25			7.5	5.10	117			85	11.92	7.2	4.60	124			80	11.26	7.1	4.90	146			68	9.59	6.8	5.60	161			62	8.71	6.6	6.00	185	54	7.55	6.3	6.40	213	47	6.57	6.1	7.00	25	405	56.83	3.1	0.95	GK49 GKF49 GKA49 GKAF49	4P	29	349	48.95	6.0	1.10	30		328	46.04	6.3	1.15	35	282	39.61	6.7	1.35	40	252		35.39	6.7	1.50	GK49 GKF49 GKA49 GKAF49	4P	45	223	31.30	6.6	1.70			48	209	29.32	6.5	1.80	54	185	25.91	6.4	2.10	64			155	21.81	6.2			2.40	72	140	19.58	6.0			2.70	47	214	29.96	3.2	0.90	GK39 GKF39 GKA39 GKAF39	4P	56	178	24.99	3.3	1.05			60	167	23.36	3.3	1.10	69	144	20.19	3.2	1.20	82	122	17.15			3.2	1.40	91			109	15.32	3.2	1.50	107			93			13.08	3.1	1.70																																																																																																																																																																																						
80	125	17.57	8.1	4.20			92	108	15.22			7.8	4.70	106	94	13.25			7.5	5.10	117	85	11.92			7.2	4.60	124			80	11.26	7.1	4.90	146			68	9.59	6.8	5.60	161			62	8.71	6.6	6.00	185	54	7.55	6.3	6.40	213	47	6.57	6.1	7.00	25	405	56.83	3.1	0.95	GK49 GKF49 GKA49 GKAF49	4P	29	349	48.95	6.0	1.10	30		328	46.04	6.3	1.15	35	282		39.61	6.7	1.35	40	252	35.39	6.7	1.50	GK49 GKF49 GKA49 GKAF49	4P	45	223	31.30	6.6	1.70			48	209	29.32	6.5	1.80			54	185	25.91	6.4	2.10	64	155	21.81	6.2	2.40	72			140	19.58	6.0			2.70	47	214	29.96	3.2	0.90	GK39 GKF39 GKA39 GKAF39	4P	56	178	24.99	3.3	1.05			60	167	23.36	3.3	1.10			69	144	20.19	3.2	1.20	82	122	17.15	3.2	1.40	91	109	15.32			3.2	1.50	107			93	13.08	3.1	1.70																																																																																																																																																																																															
92	108	15.22	7.8	4.70			106	94	13.25			7.5	5.10	117	85	11.92			7.2	4.60	124	80	11.26			7.1	4.90	146			68	9.59	6.8	5.60	161			62	8.71	6.6	6.00	185	54	7.55	6.3	6.40	213	47	6.57	6.1	7.00	25	405	56.83	3.1	0.95	GK49 GKF49 GKA49 GKAF49	4P	29	349	48.95	6.0	1.10	30		328	46.04	6.3	1.15	35	282		39.61	6.7	1.35	40	252	35.39		6.7	1.50	GK49 GKF49 GKA49 GKAF49	4P	45	223	31.30	6.6			1.70	48	209	29.32	6.5			1.80	54	185	25.91	6.4			2.10	64	155	21.81	6.2	2.40	72	140	19.58	6.0	2.70			47	214	29.96	3.2	0.90	GK39 GKF39 GKA39 GKAF39	4P	56	178	24.99	3.3			1.05	60	167	23.36	3.3			1.10	69	144	20.19	3.2			1.20	82	122	17.15	3.2	1.40	91	109	15.32	3.2	1.50	107	93			13.08	3.1	1.70																																																																																																																																																																																																					
106	94	13.25	7.5	5.10			117	85	11.92			7.2	4.60	124	80	11.26			7.1	4.90	146	68	9.59			6.8	5.60	161			62	8.71	6.6	6.00	185	54	7.55	6.3	6.40	213	47	6.57	6.1	7.00	25	405	56.83	3.1	0.95	GK49 GKF49 GKA49 GKAF49	4P	29	349	48.95	6.0	1.10	30		328	46.04	6.3	1.15	35	282		39.61	6.7	1.35	40	252	35.39		6.7	1.50	GK49 GKF49 GKA49 GKAF49	4P	45	223	31.30	6.6	1.70			48	209	29.32	6.5			1.80	54	185	25.91	6.4			2.10	64	155	21.81	6.2			2.40	72	140	19.58	6.0	2.70	47	214	29.96	3.2	0.90	GK39 GKF39 GKA39 GKAF39	4P	56	178	24.99	3.3	1.05			60	167	23.36	3.3			1.10	69	144	20.19	3.2			1.20	82	122	17.15	3.2			1.40	91	109	15.32	3.2	1.50	107	93	13.08	3.1	1.70																																																																																																																																																																																																												
117	85	11.92	7.2	4.60			124	80	11.26			7.1	4.90	146	68	9.59			6.8	5.60	161	62	8.71			6.6	6.00	185	54	7.55	6.3	6.40	213	47	6.57	6.1	7.00	25	405	56.83	3.1	0.95	GK49 GKF49 GKA49 GKAF49	4P	29	349	48.95	6.0	1.10	30		328	46.04	6.3	1.15	35	282		39.61	6.7	1.35	40	252	35.39		6.7	1.50	GK49 GKF49 GKA49 GKAF49	4P	45	223	31.30	6.6	1.70			48	209	29.32	6.5	1.80			54	185	25.91	6.4			2.10	64	155	21.81	6.2			2.40	72	140	19.58	6.0			2.70	47	214	29.96	3.2	0.90	GK39 GKF39 GKA39 GKAF39	4P	56	178	24.99			3.3	1.05	60	167	23.36			3.3	1.10	69	144			20.19	3.2	1.20	82	122			17.15	3.2	1.40	91	109			15.32	3.2	1.50	107	93	13.08	3.1	1.70																																																																																																																																																																																																															
124	80	11.26	7.1	4.90			146	68	9.59			6.8	5.60	161	62	8.71			6.6	6.00	185	54	7.55	6.3	6.40	213	47	6.57	6.1	7.00	25	405	56.83	3.1	0.95	GK49 GKF49 GKA49 GKAF49	4P	29	349	48.95	6.0	1.10	30		328	46.04	6.3	1.15	35	282		39.61	6.7	1.35	40	252	35.39		6.7	1.50	GK49 GKF49 GKA49 GKAF49	4P	45	223	31.30	6.6	1.70			48	209	29.32	6.5	1.80			54	185	25.91	6.4	2.10			64	155	21.81	6.2			2.40	72	140	19.58	6.0			2.70	47	214	29.96	3.2	0.90	GK39 GKF39 GKA39 GKAF39	4P	56	178	24.99	3.3	1.05			60	167	23.36			3.3	1.10	69	144	20.19			3.2	1.20	82	122			17.15	3.2	1.40	91	109			15.32	3.2	1.50	107	93			13.08	3.1	1.70																																																																																																																																																																																																																				
146	68	9.59	6.8	5.60			161	62	8.71			6.6	6.00	185	54	7.55	6.3	6.40	213	47	6.57	6.1	7.00	25	405	56.83	3.1	0.95	GK49 GKF49 GKA49 GKAF49	4P	29	349	48.95	6.0	1.10	30		328	46.04	6.3	1.15	35	282		39.61	6.7	1.35	40	252	35.39		6.7	1.50	GK49 GKF49 GKA49 GKAF49	4P	45	223	31.30	6.6	1.70			48	209	29.32	6.5	1.80			54	185	25.91	6.4	2.10			64	155	21.81	6.2	2.40			72	140	19.58	6.0			2.70	47	214	29.96	3.2	0.90	GK39 GKF39 GKA39 GKAF39	4P	56	178	24.99	3.3	1.05			60	167	23.36	3.3	1.10			69	144	20.19			3.2	1.20	82	122	17.15			3.2	1.40	91	109			15.32	3.2	1.50	107	93			13.08	3.1	1.70																																																																																																																																																																																																																											
161	62	8.71	6.6	6.00			185	54	7.55	6.3	6.40	213	47	6.57	6.1	7.00	25	405	56.83	3.1	0.95	GK49 GKF49 GKA49 GKAF49	4P	29	349	48.95	6.0	1.10	30		328	46.04	6.3	1.15	35	282		39.61	6.7	1.35	40	252	35.39		6.7	1.50	GK49 GKF49 GKA49 GKAF49	4P	45	223	31.30	6.6	1.70			48	209	29.32	6.5	1.80			54	185	25.91	6.4	2.10			64	155	21.81	6.2	2.40			72	140	19.58	6.0	2.70			47	214	29.96	3.2	0.90	GK39 GKF39 GKA39 GKAF39	4P	56	178	24.99	3.3	1.05			60	167	23.36	3.3	1.10			69	144	20.19	3.2	1.20			82	122	17.15			3.2	1.40	91	109	15.32			3.2	1.50	107	93			13.08	3.1	1.70																																																																																																																																																																																																																																		
185	54	7.55	6.3	6.40	213	47	6.57	6.1	7.00	25	405	56.83	3.1	0.95	GK49 GKF49 GKA49 GKAF49	4P	29	349	48.95	6.0	1.10	30		328	46.04	6.3	1.15	35	282		39.61	6.7	1.35	40	252	35.39		6.7	1.50	GK49 GKF49 GKA49 GKAF49	4P	45	223	31.30	6.6	1.70			48	209	29.32	6.5	1.80			54	185	25.91	6.4	2.10			64	155	21.81	6.2	2.40			72	140	19.58	6.0	2.70			47	214	29.96	3.2	0.90	GK39 GKF39 GKA39 GKAF39	4P	56	178	24.99	3.3	1.05			60	167	23.36	3.3	1.10			69	144	20.19	3.2	1.20			82	122	17.15	3.2	1.40			91	109	15.32			3.2	1.50	107	93	13.08			3.1	1.70																																																																																																																																																																																																																																									
213	47	6.57	6.1	7.00	25	405	56.83	3.1	0.95	GK49 GKF49 GKA49 GKAF49	4P	29	349	48.95	6.0		1.10	30	328	46.04	6.3	1.15		35	282	39.61	6.7	1.35	40		252	35.39	6.7	1.50	GK49 GKF49 GKA49 GKAF49	4P	45	223	31.30			6.6	1.70	48	209	29.32			6.5	1.80	54	185	25.91			6.4	2.10	64	155	21.81			6.2	2.40	72	140	19.58			6.0	2.70	47	214	29.96	3.2	0.90	GK39 GKF39 GKA39 GKAF39	4P	56	178	24.99			3.3	1.05	60	167	23.36			3.3	1.10	69	144	20.19			3.2	1.20	82	122	17.15			3.2	1.40	91	109	15.32			3.2	1.50	107			93	13.08	3.1	1.70																																																																																																																																																																																																																																														
25	405	56.83	3.1	0.95	GK49 GKF49 GKA49 GKAF49	4P																																																																																																																																																																																																																																																																																																																																																																
29	349	48.95	6.0	1.10	30		328	46.04	6.3	1.15		35	282	39.61	6.7		1.35	40	252	35.39	6.7	1.50	GK49 GKF49 GKA49 GKAF49	4P	45	223	31.30	6.6	1.70	48	209	29.32	6.5	1.80			54	185	25.91			6.4	2.10	64	155	21.81			6.2	2.40	72	140	19.58			6.0	2.70	47	214	29.96	3.2	0.90	GK39 GKF39 GKA39 GKAF39	4P	56	178	24.99	3.3	1.05	60	167	23.36	3.3	1.10	69	144			20.19	3.2	1.20			82	122	17.15	3.2	1.40			91	109	15.32	3.2	1.50			107	93	13.08	3.1	1.70																																																																																																																																																																																																																																																																
30	328	46.04	6.3	1.15	35		282	39.61	6.7	1.35		40	252	35.39	6.7	1.50	GK49 GKF49 GKA49 GKAF49	4P	45	223	31.30	6.6			1.70	48	209	29.32	6.5	1.80	54	185	25.91	6.4			2.10	64	155			21.81	6.2	2.40	72	140			19.58	6.0	2.70	47	214	29.96	3.2	0.90	GK39 GKF39 GKA39 GKAF39	4P	56	178	24.99	3.3			1.05	60	167	23.36	3.3	1.10	69	144	20.19	3.2	1.20	82			122	17.15	3.2			1.40	91	109	15.32	3.2			1.50	107	93	13.08	3.1			1.70																																																																																																																																																																																																																																																																				
35	282	39.61	6.7	1.35	40		252	35.39	6.7	1.50	GK49 GKF49 GKA49 GKAF49	4P	45	223	31.30	6.6			1.70	48	209	29.32			6.5	1.80	54	185	25.91	6.4	2.10	64	155	21.81			6.2	2.40	72			140	19.58	6.0	2.70	47	214	29.96	3.2	0.90	GK39 GKF39 GKA39 GKAF39	4P	56	178	24.99	3.3			1.05	60	167	23.36			3.3	1.10	69	144	20.19	3.2	1.20	82	122	17.15	3.2	1.40			91	109	15.32			3.2	1.50	107	93	13.08			3.1	1.70																																																																																																																																																																																																																																																																										
40	252	35.39	6.7	1.50	GK49 GKF49 GKA49 GKAF49	4P																																																																																																																																																																																																																																																																																																																																																																
45	223	31.30	6.6	1.70			48	209	29.32	6.5			1.80	54	185	25.91			6.4	2.10	64	155			21.81	6.2	2.40	72	140	19.58	6.0	2.70	47	214	29.96	3.2	0.90	GK39 GKF39 GKA39 GKAF39	4P	56	178	24.99	3.3	1.05	60	167	23.36	3.3	1.10	69			144	20.19	3.2	1.20			82	122	17.15	3.2			1.40	91	109	15.32	3.2	1.50	107	93	13.08	3.1	1.70																																																																																																																																																																																																																																																																																											
48	209	29.32	6.5	1.80			54	185	25.91	6.4			2.10	64	155	21.81			6.2	2.40	72	140			19.58	6.0	2.70	47	214	29.96	3.2	0.90	GK39 GKF39 GKA39 GKAF39	4P	56	178	24.99			3.3	1.05	60	167	23.36	3.3	1.10	69	144	20.19	3.2			1.20	82	122	17.15			3.2	1.40	91	109			15.32	3.2	1.50	107	93	13.08	3.1	1.70																																																																																																																																																																																																																																																																																														
54	185	25.91	6.4	2.10			64	155	21.81	6.2			2.40	72	140	19.58			6.0	2.70	47	214	29.96	3.2	0.90	GK39 GKF39 GKA39 GKAF39	4P	56	178	24.99	3.3	1.05			60	167	23.36			3.3	1.10	69	144	20.19	3.2	1.20	82	122	17.15	3.2			1.40	91	109	15.32			3.2	1.50	107	93			13.08	3.1	1.70																																																																																																																																																																																																																																																																																																			
64	155	21.81	6.2	2.40			72	140	19.58	6.0			2.70	47	214	29.96	3.2	0.90	GK39 GKF39 GKA39 GKAF39	4P	56	178	24.99	3.3	1.05			60	167	23.36	3.3	1.10			69	144	20.19			3.2	1.20	82	122	17.15	3.2	1.40	91	109	15.32	3.2			1.50	107	93	13.08			3.1	1.70																																																																																																																																																																																																																																																																																																										
72	140	19.58	6.0	2.70			47	214	29.96	3.2	0.90	GK39 GKF39 GKA39 GKAF39	4P	56	178	24.99	3.3	1.05			60	167	23.36	3.3	1.10			69	144	20.19	3.2	1.20			82	122	17.15			3.2	1.40	91	109	15.32	3.2	1.50	107	93	13.08	3.1			1.70																																																																																																																																																																																																																																																																																																																	
47	214	29.96	3.2	0.90	GK39 GKF39 GKA39 GKAF39	4P																																																																																																																																																																																																																																																																																																																																																																
56	178	24.99	3.3	1.05			60	167	23.36	3.3	1.10			69	144	20.19	3.2	1.20			82	122	17.15	3.2	1.40			91	109	15.32	3.2	1.50			107	93	13.08			3.1	1.70																																																																																																																																																																																																																																																																																																																													
60	167	23.36	3.3	1.10			69	144	20.19	3.2	1.20			82	122	17.15	3.2	1.40			91	109	15.32	3.2	1.50			107	93	13.08	3.1	1.70																																																																																																																																																																																																																																																																																																																																						
69	144	20.19	3.2	1.20			82	122	17.15	3.2	1.40			91	109	15.32	3.2	1.50			107	93	13.08	3.1	1.70																																																																																																																																																																																																																																																																																																																																													
82	122	17.15	3.2	1.40			91	109	15.32	3.2	1.50			107	93	13.08	3.1	1.70																																																																																																																																																																																																																																																																																																																																																				
91	109	15.32	3.2	1.50			107	93	13.08	3.1	1.70																																																																																																																																																																																																																																																																																																																																																											
107	93	13.08	3.1	1.70																																																																																																																																																																																																																																																																																																																																																																		

**选型参数表
(恒功率)**
**Selection Table
(Constant Power)**

n_a [r/min]	M_a [N.m]	i	F_{Ra} [kN]	f_B	机型号 Type size	极数 Pole	n_a [r/min]	M_a [N.m]	i	F_{Ra} [kN]	f_B	机型号 Type size	极数 Pole																																																																																																																																																																																																																																																																																																																																																																																																																																																																																																																																																																		
1.1kW							1.5kW																																																																																																																																																																																																																																																																																																																																																																																																																																																																																																																																																																								
115	87	12.14	3.1	1.75	GK39 GKF39 GKA39 GKAF39	4P	2.4	5291	573	38	0.80	GK99R59 GKF99R59 GKA99R59 GKAF99R59	4P																																																																																																																																																																																																																																																																																																																																																																																																																																																																																																																																																																		
133	75	10.49	3.0	2.00			157	64	8.91	2.9	2.40			176	57	7.96	2.8	2.60	206	48	6.80	2.7	2.90	220	45	6.37	2.7	3.00	261	38	5.36	2.6	3.50	1.5kW							1.5kW							0.21	62305	6747	154	0.80	GK189R99 GKA189R99	4P	4.2	3047	330	25	0.90	GK89R59 GKF89R59 GKA89R59 GKAF89R59	4P	0.23	55324	5991	165	0.95	0.26	49478	5358	171	1.05	0.29	44483	4817	171	1.15	0.32	40355	4370	171	1.30	0.39	33327	3609	171	1.50	0.46	28276	3062	171	1.80	GK189R99 GKA189R99	4P	4.8	2706	293	26	1.00	0.56	23262	2519	171	2.20	0.62	20944	2268	171	2.50	0.34	37668	4079	135	0.85	GK169R99 GKA169R99	4P	5.6	2309	250	26	1.15	0.41	31176	3376	135	1.05	0.51	25441	2755	135	1.30	0.64	20150	2182	135	1.60	GK169R99 GKA169R99	4P	5.9	2179	236	27	1.25	0.82	15736	1704	135	2.10	0.99	13002	1408	135	2.50	1.08	11968	1296	135	2.70	GK169R99 GKA169R99	4P	7.0	1856	201	62	1.45	0.60	21452	2323	105	0.80	GK159R99 GKF159R99 GKA159R99 GKAF159R99	4P	7.7	1690	183	27	1.60	0.84	15320	1659	108	1.10	1.0	12605	1365	109	1.35	1.1	11349	1229	109	1.50	GK159R99 GKF159R99 GKA159R99 GKAF159R99	4P	4.7	2871	143.47	62	2.70	1.3	10093	1093	110	1.70	1.5	8699	942	110	1.95	1.6	7877	853	110	2.15	2.5	5236	567	110	3.25	2.8	4654	504	111	3.65	2.6	4977	539	78	2.50	GK129R89 GKF129R89 GKA129R89 GKAF129R89	4P	5.6	2431	121.46	62	3.20	3.3	3878	420	78	3.15	3.8	3398	368	78	3.65	0.80	16225	1757	70	0.80	GK129R79 GKF129R79 GKA129R79 GKAF129R79	4P	6.0	2250	112.41	62	3.50	0.91	14230	1541	74	0.90	1.0	12393	1342	76	1.05	1.2	10869	1177	76	1.20	1.4	9465	1025	77	1.40	1.6	8302	899	77	1.60	1.8	7295	790	78	1.80	2.0	6501	704	78	2.00	2.3	5633	610	78	2.35	2.6	5070	549	78	2.55	2.9	4405	477	78	3.00	3.3	3869	419	78	3.45	1.4	9512	1030	62	0.85	GK109R79 GKF109R79 GKA109R79 GKAF109R79	4P	4.4	3066	153.21	38	1.35	1.5	8348	904	62	0.95	1.8	7323	793	62	1.10	2.0	6427	696	62	1.25	2.3	5670	614	62	1.40	2.7	4820	522	62	1.65	3.0	4257	461	62	1.90	3.4	3768	408	62	2.10	3.8	3361	364	62	2.40	4.4	2937	318	62	2.70	8.0	1693	174.19	27	1.55	GK99 GKF99 GKA99 GKAF99	6P	8.0	1711	176.05	38	2.40	8.5	1597	164.34	27	1.60	9.5	1432	147.33	27	1.80	11	1234	126.91	27	2.10	12	1126	115.82	27	2.30	14	998	102.71	27	2.60	16	839	86.34	27	3.10	8.3	1637	113.10	13	0.90	GK89 GKF89 GKA89 GKAF89	4P	8.3	1637	113.10	13	0.90	9.7	1399	96.66	15	1.05	11	1283	88.61	16	1.10	12	1126	77.76	17	1.30	10	1310	134.74	16	1.15	GK89 GKF89 GKA89 GKAF89	6P	10	1310	134.74	16	1.15	11	1244	128.00	16	1.20	12	1099	113.10	17	1.35	14	940	96.66	17	1.55	16	861	88.61	18	1.70	18	756	77.76	18	1.95	19	716	73.69	18	2.10	GK79 GKF79 GKA79 GKAF79	4P	22	627	64.49	18	2.40	24	565	58.10	19	2.60	27	495	50.97	19	3.00	31	437	44.98	19	3.40	35	388	39.88	19	3.80																																																				
157	64	8.91	2.9	2.40			176	57	7.96	2.8	2.60			206	48	6.80	2.7	2.90	220	45	6.37	2.7	3.00	261	38	5.36	2.6	3.50	1.5kW							1.5kW							0.21	62305	6747	154	0.80	GK189R99 GKA189R99	4P	4.2	3047	330			25	0.90	GK89R59 GKF89R59 GKA89R59 GKAF89R59	4P	0.23			55324	5991	165	0.95	0.26	49478	5358	171	1.05	0.29	44483	4817	171	1.15	0.32	40355	4370	171	1.30	0.39	33327	3609	171	1.50	0.46	28276	3062	171	1.80	GK189R99 GKA189R99			4P	4.8	2706	293	26	1.00	0.56	23262	2519	171	2.20	0.62	20944	2268	171	2.50	0.34	37668	4079	135			0.85	GK169R99 GKA169R99	4P	5.6	2309	250	26	1.15	0.41	31176	3376	135	1.05	0.51	25441	2755	135	1.30	0.64	20150			2182	135	1.60	GK169R99 GKA169R99	4P	5.9	2179	236	27	1.25	0.82	15736	1704	135	2.10	0.99	13002	1408	135	2.50			1.08	11968	1296	135	2.70	GK169R99 GKA169R99	4P	7.0	1856	201			62	1.45	0.60	21452	2323	105	0.80	GK159R99 GKF159R99 GKA159R99 GKAF159R99	4P	7.7	1690	183	27	1.60	0.84	15320	1659	108	1.10	1.0			12605	1365	109	1.35	1.1	11349	1229	109	1.50	GK159R99 GKF159R99 GKA159R99 GKAF159R99	4P	4.7	2871	143.47	62	2.70	1.3	10093	1093	110	1.70	1.5	8699	942	110	1.95	1.6	7877	853	110	2.15	2.5	5236	567	110			3.25	2.8	4654	504	111	3.65	2.6	4977	539	78	2.50	GK129R89 GKF129R89 GKA129R89 GKAF129R89	4P	5.6	2431	121.46	62	3.20	3.3	3878			420	78	3.15	3.8	3398	368	78	3.65	0.80	16225	1757	70	0.80	GK129R79 GKF129R79 GKA129R79 GKAF129R79	4P	6.0	2250	112.41	62	3.50	0.91	14230	1541	74	0.90	1.0	12393	1342	76	1.05	1.2	10869	1177	76	1.20	1.4	9465	1025	77	1.40	1.6	8302	899	77	1.60	1.8	7295	790	78	1.80	2.0	6501	704	78	2.00	2.3	5633	610	78	2.35	2.6	5070	549	78	2.55			2.9	4405	477	78	3.00	3.3	3869	419	78	3.45	1.4	9512	1030	62	0.85	GK109R79 GKF109R79 GKA109R79 GKAF109R79	4P	4.4	3066	153.21	38	1.35	1.5	8348	904	62	0.95	1.8	7323	793	62	1.10	2.0	6427	696	62	1.25	2.3	5670	614	62	1.40	2.7	4820	522	62	1.65	3.0	4257	461	62	1.90	3.4	3768	408			62	2.10	3.8	3361	364	62	2.40	4.4	2937	318	62	2.70	8.0	1693	174.19	27	1.55	GK99 GKF99 GKA99 GKAF99	6P	8.0	1711	176.05	38	2.40	8.5	1597	164.34	27	1.60	9.5	1432	147.33	27	1.80	11	1234	126.91	27	2.10	12			1126	115.82	27	2.30	14	998	102.71	27	2.60	16	839	86.34	27	3.10	8.3	1637	113.10	13	0.90	GK89 GKF89 GKA89 GKAF89	4P	8.3	1637	113.10	13			0.90	9.7	1399	96.66	15	1.05	11	1283	88.61	16	1.10	12	1126	77.76	17	1.30	10	1310	134.74	16	1.15	GK89 GKF89 GKA89 GKAF89	6P	10	1310	134.74	16	1.15	11	1244	128.00	16	1.20	12	1099			113.10	17	1.35	14	940	96.66	17	1.55	16	861	88.61	18	1.70	18	756	77.76	18	1.95	19	716	73.69	18	2.10	GK79 GKF79 GKA79 GKAF79	4P	22	627	64.49	18	2.40	24	565	58.10	19	2.60	27	495	50.97	19	3.00	31	437	44.98	19	3.40	35	388	39.88	19	3.80																											
176	57	7.96	2.8	2.60			206	48	6.80	2.7	2.90			220	45	6.37	2.7	3.00	261	38	5.36	2.6	3.50	1.5kW							1.5kW							0.21	62305	6747	154	0.80	GK189R99 GKA189R99	4P	4.2	3047	330			25	0.90	GK89R59 GKF89R59 GKA89R59 GKAF89R59			4P	0.23			55324			5991	165	0.95	0.26	49478	5358	171	1.05	0.29	44483	4817	171	1.15	0.32	40355	4370	171	1.30	0.39	33327	3609	171	1.50	0.46	28276	3062	171	1.80	GK189R99 GKA189R99					4P	4.8	2706	293	26	1.00	0.56	23262	2519	171	2.20	0.62	20944	2268	171	2.50	0.34	37668	4079			135			0.85	GK169R99 GKA169R99	4P	5.6	2309	250	26	1.15	0.41	31176	3376	135	1.05	0.51	25441	2755	135			1.30	0.64	20150			2182	135	1.60	GK169R99 GKA169R99	4P	5.9	2179	236	27	1.25	0.82	15736	1704	135	2.10			0.99	13002	1408	135	2.50			1.08	11968	1296			135	2.70	GK169R99 GKA169R99	4P	7.0	1856	201			62	1.45	0.60	21452	2323	105	0.80	GK159R99 GKF159R99 GKA159R99 GKAF159R99	4P	7.7	1690			183	27	1.60	0.84	15320	1659	108	1.10	1.0			12605	1365	109	1.35	1.1	11349	1229	109	1.50	GK159R99 GKF159R99 GKA159R99 GKAF159R99	4P	4.7	2871	143.47	62	2.70	1.3	10093	1093	110	1.70	1.5	8699	942			110	1.95	1.6	7877	853	110	2.15	2.5	5236	567	110			3.25	2.8	4654	504	111	3.65	2.6			4977	539	78	2.50	GK129R89 GKF129R89 GKA129R89 GKAF129R89	4P	5.6	2431	121.46	62	3.20	3.3	3878			420	78	3.15	3.8	3398	368	78	3.65	0.80	16225	1757	70	0.80	GK129R79 GKF129R79 GKA129R79 GKAF129R79	4P	6.0	2250	112.41	62	3.50	0.91	14230	1541	74	0.90	1.0	12393	1342	76	1.05	1.2	10869	1177	76	1.20	1.4	9465	1025	77	1.40	1.6	8302	899	77	1.60	1.8	7295	790	78	1.80			2.0	6501	704	78	2.00	2.3	5633	610	78	2.35	2.6	5070	549	78	2.55			2.9	4405	477	78	3.00	3.3	3869	419	78	3.45	1.4	9512	1030	62	0.85	GK109R79 GKF109R79 GKA109R79 GKAF109R79	4P	4.4	3066	153.21	38	1.35	1.5	8348	904	62	0.95	1.8	7323	793	62	1.10	2.0	6427	696	62	1.25	2.3			5670	614	62	1.40	2.7	4820	522	62	1.65	3.0	4257	461	62	1.90	3.4	3768	408			62	2.10	3.8	3361	364	62	2.40	4.4	2937	318	62	2.70	8.0	1693	174.19	27	1.55	GK99 GKF99 GKA99 GKAF99	6P	8.0	1711			176.05	38	2.40	8.5	1597	164.34	27	1.60	9.5	1432	147.33	27	1.80	11	1234	126.91	27	2.10	12			1126	115.82	27	2.30			14	998	102.71	27	2.60	16	839	86.34	27	3.10	8.3	1637	113.10	13	0.90	GK89 GKF89 GKA89 GKAF89	4P	8.3	1637	113.10	13			0.90	9.7	1399	96.66	15	1.05	11	1283	88.61	16	1.10	12			1126	77.76	17	1.30	10	1310	134.74	16	1.15	GK89 GKF89 GKA89 GKAF89	6P	10	1310	134.74	16	1.15	11	1244	128.00	16	1.20	12	1099			113.10	17	1.35	14	940	96.66	17	1.55	16	861	88.61	18	1.70	18	756	77.76	18	1.95	19	716	73.69	18	2.10	GK79 GKF79 GKA79 GKAF79	4P	22	627	64.49	18	2.40	24	565	58.10	19	2.60	27	495	50.97	19	3.00	31	437	44.98	19	3.40	35	388	39.88	19	3.80		
206	48	6.80	2.7	2.90			220	45	6.37	2.7	3.00			261	38	5.36	2.6	3.50	1.5kW							1.5kW							0.21	62305	6747	154	0.80	GK189R99 GKA189R99	4P	4.2	3047	330			25	0.90	GK89R59 GKF89R59 GKA89R59 GKAF89R59			4P	0.23		55324	5991		165			0.95			0.26	49478	5358	171	1.05	0.29	44483	4817	171	1.15	0.32	40355	4370	171	1.30	0.39	33327	3609	171	1.50	0.46	28276	3062	171	1.80	GK189R99 GKA189R99	4P	4.8			2706	293			26	1.00	0.56	23262	2519	171	2.20	0.62	20944	2268	171	2.50	0.34	37668	4079	135	0.85	GK169R99 GKA169R99	4P	5.6	2309			250			26	1.15	0.41	31176	3376	135	1.05	0.51	25441	2755	135	1.30	0.64	20150	2182	135	1.60	GK169R99 GKA169R99	4P			5.9	2179	236			27	1.25	0.82	15736	1704	135	2.10	0.99	13002	1408	135	2.50	1.08	11968	1296	135	2.70			GK169R99 GKA169R99	4P	7.0	1856	201	62	1.45			0.60	21452	2323			105	0.80	GK159R99 GKF159R99 GKA159R99 GKAF159R99	4P	7.7	1690	183			27	1.60			0.84	15320	1659	108	1.10	1.0	12605	1365	109			1.35	1.1	11349	1229	109	1.50	GK159R99 GKF159R99 GKA159R99 GKAF159R99	4P	4.7			2871	143.47	62	2.70	1.3	10093	1093	110	1.70	1.5	8699	942	110	1.95	1.6	7877	853	110	2.15	2.5	5236	567	110	3.25	2.8	4654			504	111	3.65	2.6	4977	539	78			2.50	GK129R89 GKF129R89 GKA129R89 GKAF129R89	4P	5.6			2431	121.46	62	3.20	3.3	3878	420			78	3.15	3.8	3398	368	78	3.65	0.80	16225	1757	70	0.80	GK129R79 GKF129R79 GKA129R79 GKAF129R79			4P	6.0	2250	112.41	62	3.50	0.91	14230	1541	74	0.90	1.0	12393	1342	76	1.05	1.2	10869	1177	76	1.20	1.4	9465	1025	77	1.40	1.6	8302	899	77	1.60	1.8	7295	790	78			1.80	2.0	6501	704	78	2.00	2.3	5633	610	78	2.35	2.6	5070	549	78			2.55	2.9	4405	477	78	3.00	3.3	3869	419	78	3.45	1.4	9512	1030	62			0.85	GK109R79 GKF109R79 GKA109R79 GKAF109R79	4P	4.4	3066	153.21	38	1.35	1.5	8348	904	62	0.95	1.8	7323	793	62	1.10	2.0	6427	696			62	1.25	2.3	5670	614	62	1.40	2.7	4820	522	62	1.65	3.0	4257	461	62	1.90			3.4	3768	408	62	2.10	3.8	3361	364	62	2.40	4.4	2937	318	62	2.70	8.0	1693			174.19	27			1.55	GK99 GKF99 GKA99 GKAF99	6P	8.0	1711	176.05	38	2.40	8.5	1597	164.34	27	1.60	9.5	1432	147.33	27	1.80	11			1234	126.91	27	2.10			12	1126	115.82	27	2.30	14	998	102.71	27	2.60	16	839	86.34	27	3.10			8.3	1637	113.10	13			0.90	GK89 GKF89 GKA89 GKAF89	4P	8.3	1637	113.10	13	0.90	9.7	1399	96.66	15			1.05	11	1283	88.61	16	1.10	12	1126	77.76			17	1.30	10	1310	134.74	16	1.15	GK89 GKF89 GKA89 GKAF89	6P	10	1310	134.74			16	1.15	11	1244	128.00	16	1.20	12	1099	113.10	17	1.35	14	940	96.66	17	1.55	16	861	88.61	18	1.70	18			756	77.76	18	1.95	19	716	73.69	18	2.10	GK79 GKF79 GKA79 GKAF79	4P	22	627	64.49	18	2.40	24	565	58.10	19	2.60	27	495	50.97	19	3.00	31
220	45	6.37	2.7	3.00			261	38	5.36	2.6	3.50			1.5kW							1.5kW							0.21	62305	6747	154	0.80	GK189R99 GKA189R99	4P	4.2	3047	330			25	0.90	GK89R59 GKF89R59 GKA89R59 GKAF89R59			4P	0.23		55324	5991		165		0.95	0.26		49478			5358			171	1.05	0.29	44483	4817	171	1.15	0.32	40355	4370	171	1.30	0.39	33327	3609	171	1.50	0.46	28276	3062	171	1.80	GK189R99 GKA189R99	4P	4.8			2706		293	26	1.00	0.56		23262	2519	171	2.20	0.62	20944	2268	171	2.50	0.34	37668	4079	135	0.85	GK169R99 GKA169R99	4P	5.6			2309	250	26	1.15	0.41			31176	3376	135	1.05	0.51	25441	2755	135	1.30	0.64	20150	2182	135	1.60	GK169R99 GKA169R99	4P	5.9			2179	236	27	1.25	0.82			15736	1704	135	2.10	0.99	13002	1408	135	2.50	1.08	11968	1296	135	2.70	GK169R99 GKA169R99	4P	7.0	1856	201			62	1.45	0.60	21452	2323			105	0.80	GK159R99 GKF159R99 GKA159R99 GKAF159R99	4P	7.7	1690	183			27	1.60	0.84			15320	1659			108	1.10	1.0	12605	1365	109	1.35	1.1	11349			1229	109	1.50	GK159R99 GKF159R99 GKA159R99 GKAF159R99	4P	4.7			2871			143.47	62	2.70	1.3	10093	1093	110	1.70	1.5	8699	942	110	1.95	1.6	7877	853	110	2.15	2.5	5236	567	110	3.25	2.8	4654	504	111	3.65	2.6	4977	539	78	2.50	GK129R89 GKF129R89 GKA129R89 GKAF129R89	4P			5.6			2431			121.46	62	3.20	3.3	3878	420	78			3.15	3.8	3398	368	78	3.65	0.80	16225	1757	70	0.80	GK129R79 GKF129R79 GKA129R79 GKAF129R79					4P	6.0	2250	112.41	62	3.50	0.91	14230	1541	74	0.90	1.0	12393	1342	76	1.05	1.2	10869	1177	76	1.20	1.4	9465	1025	77	1.40	1.6	8302	899	77	1.60	1.8	7295	790			78	1.80	2.0	6501	704	78	2.00	2.3	5633	610	78	2.35	2.6	5070	549			78	2.55	2.9	4405	477	78	3.00	3.3	3869	419	78	3.45	1.4	9512	1030			62			0.85	GK109R79 GKF109R79 GKA109R79 GKAF109R79	4P	4.4	3066	153.21	38	1.35	1.5	8348	904	62	0.95	1.8	7323	793	62	1.10			2.0	6427	696	62	1.25	2.3	5670	614	62	1.40	2.7	4820	522	62	1.65	3.0	4257			461	62	1.90	3.4	3768	408	62	2.10	3.8	3361	364	62	2.40	4.4	2937	318	62			2.70	8.0	1693	174.19	27			1.55	GK99 GKF99 GKA99 GKAF99	6P	8.0	1711	176.05	38	2.40	8.5	1597	164.34	27	1.60	9.5	1432	147.33			27	1.80	11	1234			126.91	27	2.10	12	1126	115.82	27	2.30	14	998	102.71	27	2.60	16	839			86.34	27	3.10	8.3			1637			113.10	13	0.90	GK89 GKF89 GKA89 GKAF89	4P	8.3	1637	113.10	13			0.90	9.7	1399	96.66	15	1.05	11	1283	88.61			16	1.10	12	1126	77.76	17	1.30			10	1310	134.74			16	1.15	GK89 GKF89 GKA89 GKAF89	6P	10	1310	134.74	16	1.15	11	1244	128.00	16	1.20	12	1099	113.10	17	1.35	14	940	96.66	17			1.55	16	861	88.61	18	1.70	18	756	77.76			18	1.95	19	716	73.69	18	2.10	GK79 GKF79 GKA79 GKAF79	4P	22	627	64.49	18	2.40	24	565
261	38	5.36	2.6	3.50	1.5kW									1.5kW							0.21	62305	6747	154	0.80	GK189R99 GKA189R99	4P	4.2	3047	330	25	0.90			GK89R59 GKF89R59 GKA89R59 GKAF89R59	4P	0.23			55324	5991		165	0.95		0.26		49478	5358		171		1.05	0.29		44483			4817			171	1.15	0.32	40355	4370	171	1.30	0.39	33327	3609	171	1.50	0.46	28276	3062	171	1.80	GK189R99 GKA189R99	4P	4.8	2706	293			26			1.00	0.56	23262	2519	171	2.20	0.62	20944	2268	171	2.50	0.34	37668	4079	135	0.85	GK169R99 GKA169R99	4P	5.6	2309	250			26			1.15	0.41	31176	3376	135	1.05	0.51	25441	2755	135	1.30	0.64	20150	2182	135	1.60	GK169R99 GKA169R99	4P	5.9	2179	236			27			1.25	0.82	15736	1704	135	2.10	0.99	13002	1408	135	2.50	1.08	11968	1296	135	2.70	GK169R99 GKA169R99	4P	7.0	1856	201			62	1.45	0.60			21452	2323	105	0.80	GK159R99 GKF159R99 GKA159R99 GKAF159R99	4P	7.7	1690	183			27	1.60	0.84			15320	1659	108	1.10	1.0	12605	1365			109	1.35	1.1	11349	1229	109	1.50	GK159R99 GKF159R99 GKA159R99 GKAF159R99	4P			4.7	2871	143.47			62			2.70			1.3	10093	1093	110	1.70	1.5	8699	942	110	1.95	1.6	7877	853	110	2.15	2.5	5236	567	110	3.25	2.8	4654	504	111	3.65	2.6	4977	539	78	2.50	GK129R89 GKF129R89 GKA129R89 GKAF129R89	4P	5.6					2431			121.46	62	3.20	3.3	3878	420	78	3.15	3.8	3398			368	78	3.65	0.80	16225	1757	70	0.80	GK129R79 GKF129R79 GKA129R79 GKAF129R79	4P	6.0							2250	112.41	62	3.50	0.91	14230	1541	74	0.90	1.0	12393	1342	76	1.05	1.2	10869	1177	76	1.20	1.4	9465	1025	77	1.40	1.6	8302	899	77	1.60	1.8	7295	790	78			1.80	2.0	6501	704	78	2.00	2.3	5633	610	78	2.35	2.6	5070	549	78			2.55	2.9	4405	477	78	3.00	3.3	3869	419	78	3.45	1.4	9512	1030	62			0.85			GK109R79 GKF109R79 GKA109R79 GKAF109R79			4P	4.4	3066	153.21	38	1.35	1.5	8348	904	62	0.95	1.8	7323	793	62			1.10	2.0	6427	696	62	1.25	2.3	5670	614	62	1.40	2.7	4820	522	62	1.65	3.0			4257	461	62	1.90	3.4	3768	408	62	2.10	3.8	3361	364	62	2.40	4.4	2937	318			62	2.70	8.0	1693	174.19			27			1.55	GK99 GKF99 GKA99 GKAF99	6P	8.0	1711	176.05	38	2.40	8.5	1597	164.34	27	1.60	9.5	1432	147.33	27	1.80	11			1234	126.91	27	2.10	12	1126	115.82	27	2.30	14	998	102.71	27	2.60	16			839	86.34	27	3.10			8.3			1637	113.10	13			0.90	GK89 GKF89 GKA89 GKAF89	4P	8.3			1637	113.10	13	0.90	9.7	1399	96.66	15	1.05			11	1283	88.61	16	1.10	12	1126			77.76	17	1.30			10	1310			134.74	16	1.15	GK89 GKF89 GKA89 GKAF89	6P	10	1310	134.74	16	1.15	11	1244	128.00	16	1.20	12	1099	113.10	17			1.35	14	940	96.66	17	1.55	16	861	88.61			18	1.70	18	756	77.76	18	1.95			19	716	73.69	18	2.10	GK79 GKF79 GKA79 GKAF79	4P
1.5kW							1.5kW																																																																																																																																																																																																																																																																																																																																																																																																																																																																																																																																																																								
0.21	62305	6747	154	0.80	GK189R99 GKA189R99	4P	4.2	3047	330	25	0.90	GK89R59 GKF89R59 GKA89R59 GKAF89R59	4P																																																																																																																																																																																																																																																																																																																																																																																																																																																																																																																																																																		
0.23	55324	5991	165	0.95			0.26	49478	5358	171	1.05			0.29	44483	4817	171	1.15	0.32	40355	4370	171	1.30	0.39	33327	3609	171	1.50	0.46	28276	3062	171	1.80	GK189R99 GKA189R99			4P	4.8	2706	293	26		1.00	0.56		23262		2519	171		2.20	0.62	20944	2268	171	2.50	0.34	37668	4079	135	0.85	GK169R99 GKA169R99	4P	5.6	2309	250	26	1.15	0.41	31176	3376	135	1.05	0.51	25441	2755	135	1.30	0.64	20150	2182	135	1.60	GK169R99 GKA169R99	4P	5.9	2179	236	27	1.25	0.82	15736	1704	135	2.10	0.99	13002	1408	135	2.50	1.08	11968	1296	135	2.70	GK169R99 GKA169R99	4P	7.0	1856	201	62	1.45	0.60	21452	2323	105	0.80	GK159R99 GKF159R99 GKA159R99 GKAF159R99	4P	7.7	1690	183	27	1.60	0.84	15320	1659	108	1.10	1.0	12605	1365	109	1.35	1.1	11349	1229	109	1.50	GK159R99 GKF159R99 GKA159R99 GKAF159R99	4P	4.7	2871	143.47	62	2.70	1.3	10093	1093	110	1.70	1.5	8699	942	110	1.95	1.6	7877	853	110	2.15	2.5	5236	567	110	3.25	2.8	4654	504	111	3.65	2.6	4977	539	78	2.50	GK129R89 GKF129R89 GKA129R89 GKAF129R89	4P	5.6	2431	121.46	62	3.20	3.3	3878	420	78	3.15	3.8	3398	368	78	3.65	0.80	16225	1757	70	0.80	GK129R79 GKF129R79 GKA129R79 GKAF129R79	4P			6.0	2250	112.41	62	3.50			0.91			14230	1541	74	0.90	1.0	12393	1342	76	1.05	1.2	10869	1177	76	1.20	1.4	9465	1025	77	1.40	1.6	8302	899	77	1.60	1.8	7295	790	78	1.80	2.0	6501	704	78	2.00	2.3	5633	610	78			2.35	2.6	5070	549	78	2.55	2.9	4405	477	78	3.00	3.3	3869			419	78	3.45	1.4	9512	1030	62	0.85			GK109R79 GKF109R79 GKA109R79 GKAF109R79							4P	4.4	3066	153.21	38	1.35	1.5	8348	904	62	0.95	1.8	7323	793	62	1.10	2.0	6427	696	62	1.25	2.3	5670	614	62	1.40	2.7	4820	522	62	1.65	3.0	4257			461	62	1.90	3.4	3768	408	62	2.10	3.8	3361	364	62	2.40	4.4	2937			318	62	2.70	8.0	1693	174.19	27	1.55	GK99 GKF99 GKA99 GKAF99	6P	8.0	1711	176.05	38	2.40			8.5							1597	164.34	27	1.60	9.5	1432	147.33	27	1.80	11	1234	126.91	27	2.10	12	1126	115.82	27	2.30	14	998	102.71	27	2.60	16	839	86.34	27	3.10	8.3	1637	113.10	13	0.90	GK89 GKF89 GKA89 GKAF89	4P	8.3	1637	113.10	13	0.90	9.7	1399	96.66	15	1.05	11	1283	88.61	16	1.10	12	1126	77.76	17	1.30	10	1310	134.74			16			1.15			GK89 GKF89 GKA89 GKAF89	6P	10	1310	134.74	16	1.15	11	1244	128.00	16	1.20	12	1099	113.10	17	1.35	14	940	96.66	17	1.55	16	861	88.61	18	1.70	18	756	77.76	18	1.95	19	716	73.69	18	2.10	GK79 GKF79 GKA79 GKAF79	4P	22	627	64.49	18	2.40	24	565	58.10	19	2.60	27			495	50.97	19	3.00	31	437	44.98	19	3.40	35	388	39.88	19	3.80																																																																		
0.26	49478	5358	171	1.05			0.29	44483	4817	171	1.15			0.32	40355	4370	171	1.30	0.39	33327	3609	171	1.50	0.46	28276	3062	171	1.80	GK189R99 GKA189R99	4P	4.8	2706	293					26	1.00	0.56	23262		2519	171		2.20	0.62	20944	2268	171	2.50	0.34	37668	4079	135	0.85	GK169R99 GKA169R99	4P	5.6	2309	250			26	1.15	0.41	31176	3376	135	1.05	0.51	25441	2755	135	1.30	0.64	20150	2182	135	1.60	GK169R99 GKA169R99	4P	5.9			2179	236	27	1.25	0.82	15736	1704	135	2.10	0.99	13002	1408	135	2.50	1.08	11968	1296	135	2.70	GK169R99 GKA169R99			4P	7.0	1856	201	62	1.45	0.60	21452	2323	105			0.80	GK159R99 GKF159R99 GKA159R99 GKAF159R99	4P	7.7	1690	183	27	1.60	0.84	15320	1659	108	1.10	1.0	12605	1365	109	1.35	1.1	11349			1229	109	1.50	GK159R99 GKF159R99 GKA159R99 GKAF159R99	4P	4.7	2871	143.47	62	2.70	1.3	10093	1093	110	1.70	1.5	8699	942	110	1.95	1.6	7877	853	110	2.15	2.5	5236	567	110	3.25	2.8	4654	504	111	3.65			2.6	4977	539	78	2.50	GK129R89 GKF129R89 GKA129R89 GKAF129R89	4P	5.6	2431	121.46	62	3.20	3.3	3878	420	78	3.15	3.8	3398	368					78	3.65	0.80	16225	1757			70	0.80	GK129R79 GKF129R79 GKA129R79 GKAF129R79	4P	6.0	2250	112.41	62	3.50	0.91	14230	1541	74	0.90	1.0	12393	1342	76	1.05	1.2	10869	1177	76	1.20	1.4	9465	1025	77	1.40	1.6	8302	899	77	1.60	1.8	7295	790	78	1.80	2.0	6501			704	78	2.00	2.3	5633	610	78	2.35	2.6	5070	549	78	2.55			2.9	4405	477	78	3.00	3.3	3869	419											78	3.45	1.4	9512	1030	62	0.85	GK109R79 GKF109R79 GKA109R79 GKAF109R79	4P	4.4	3066	153.21	38	1.35	1.5	8348	904	62	0.95	1.8	7323	793	62	1.10	2.0	6427	696	62	1.25	2.3	5670	614			62	1.40	2.7	4820	522	62	1.65	3.0	4257	461	62	1.90	3.4	3768	408			62	2.10	3.8	3361	364	62	2.40	4.4			2937	318	62	2.70	8.0			1693							174.19	27	1.55	GK99 GKF99 GKA99 GKAF99	6P	8.0	1711	176.05	38	2.40	8.5	1597	164.34	27	1.60	9.5	1432	147.33	27	1.80	11	1234	126.91	27	2.10	12	1126	115.82	27	2.30	14	998	102.71	27			2.60	16	839	86.34	27	3.10	8.3	1637	113.10	13	0.90	GK89 GKF89 GKA89 GKAF89	4P	8.3	1637	113.10	13	0.90	9.7	1399	96.66	15	1.05	11	1283	88.61			16					1.10	12	1126	77.76	17	1.30	10	1310	134.74	16	1.15	GK89 GKF89 GKA89 GKAF89	6P	10	1310	134.74	16	1.15	11	1244	128.00	16	1.20	12	1099	113.10	17	1.35	14	940	96.66	17	1.55	16	861			88.61	18	1.70	18	756	77.76	18	1.95	19	716	73.69	18	2.10	GK79 GKF79 GKA79 GKAF79	4P	22	627	64.49	18	2.40	24	565	58.10	19	2.60	27	495	50.97	19	3.00	31	437	44.98	19	3.40	35	388	39.88	19	3.80																																																					
0.29	44483	4817	171	1.15	0.32	40355	4370	171	1.30	0.39	33327			3609	171	1.50	0.46	28276	3062	171	1.80	GK189R99 GKA189R99	4P	4.8	2706	293	26	1.00			0.56	23262	2519					171	2.20	0.62	20944	2268	171	2.50	0.34	37668	4079	135	0.85	GK169R99 GKA169R99	4P	5.6	2309	250	26	1.15			0.41	31176	3376			135	1.05	0.51	25441	2755	135	1.30	0.64	20150	2182	135	1.60	GK169R99 GKA169R99	4P	5.9	2179	236			27			1.25	0.82	15736	1704	135	2.10	0.99	13002	1408	135	2.50	1.08	11968	1296	135	2.70	GK169R99 GKA169R99	4P	7.0					1856	201	62	1.45	0.60	21452	2323	105	0.80			GK159R99 GKF159R99 GKA159R99 GKAF159R99			4P	7.7	1690	183	27	1.60	0.84	15320	1659	108	1.10	1.0	12605	1365	109	1.35	1.1			11349	1229	109			1.50	GK159R99 GKF159R99 GKA159R99 GKAF159R99	4P	4.7	2871	143.47	62	2.70	1.3	10093	1093	110	1.70	1.5	8699	942	110	1.95	1.6	7877	853	110	2.15	2.5	5236	567	110	3.25	2.8	4654			504	111	3.65	2.6	4977			539	78	2.50	GK129R89 GKF129R89 GKA129R89 GKAF129R89	4P	5.6	2431	121.46	62	3.20	3.3	3878	420					78	3.15	3.8	3398	368	78	3.65	0.80	16225			1757	70	0.80	GK129R79 GKF129R79 GKA129R79 GKAF129R79	4P	6.0	2250	112.41	62	3.50	0.91	14230	1541	74	0.90	1.0	12393	1342	76	1.05	1.2	10869	1177	76	1.20	1.4	9465	1025	77	1.40	1.6	8302	899	77	1.60	1.8	7295			790	78	1.80	2.0	6501	704	78	2.00	2.3	5633	610	78	2.35			2.6	5070	549	78	2.55	2.9	4405	477											78	3.00	3.3	3869	419	78	3.45			1.4	9512	1030	62	0.85	GK109R79 GKF109R79 GKA109R79 GKAF109R79	4P	4.4	3066	153.21	38	1.35	1.5	8348	904	62	0.95	1.8	7323	793	62	1.10	2.0	6427	696	62	1.25	2.3	5670	614	62	1.40	2.7	4820	522	62	1.65	3.0	4257	461			62	1.90	3.4	3768	408	62	2.10	3.8			3361	364	62	2.40	4.4			2937							318	62	2.70			8.0	1693	174.19	27	1.55	GK99 GKF99 GKA99 GKAF99	6P	8.0	1711	176.05	38	2.40	8.5	1597	164.34	27	1.60	9.5	1432	147.33	27	1.80	11	1234	126.91	27	2.10	12	1126			115.82	27	2.30	14	998	102.71	27	2.60	16	839	86.34			27	3.10	8.3	1637	113.10	13	0.90	GK89 GKF89 GKA89 GKAF89	4P	8.3	1637	113.10	13	0.90	9.7	1399					96.66	15	1.05	11	1283	88.61	16	1.10	12	1126	77.76			17	1.30	10	1310	134.74	16	1.15	GK89 GKF89 GKA89 GKAF89	6P	10	1310	134.74	16	1.15	11	1244	128.00	16	1.20	12	1099	113.10			17	1.35	14	940	96.66	17	1.55	16	861	88.61	18	1.70	18			756	77.76	18	1.95	19	716	73.69	18	2.10	GK79 GKF79 GKA79 GKAF79	4P	22	627	64.49	18	2.40	24	565	58.10	19	2.60	27	495	50.97	19	3.00	31	437	44.98	19	3.40	35	388			39.88	19	3.80																																								
0.32	40355	4370	171	1.30	0.39	33327	3609	171	1.50	0.46	28276			3062	171	1.80	GK189R99 GKA189R99	4P	4.8	2706	293			26	1.00	0.56	23262	2519			171	2.20	0.62	20944	2268	171	2.50	0.34	37668	4079	135	0.85	GK169R99 GKA169R99	4P	5.6	2309	250	26	1.15			0.41	31176	3376	135	1.05			0.51	25441	2755	135	1.30	0.64	20150	2182	135	1.60	GK169R99 GKA169R99	4P	5.9	2179	236	27	1.25			0.82	15736	1704			135	2.10	0.99	13002	1408	135	2.50	1.08	11968	1296	135	2.70	GK169R99 GKA169R99	4P	7.0	1856	201	62	1.45			0.60		21452	2323		105	0.80	GK159R99 GKF159R99 GKA159R99 GKAF159R99	4P	7.7	1690	183	27	1.60	0.84	15320					1659	108	1.10	1.0	12605	1365	109	1.35	1.1	11349	1229	109	1.50	GK159R99 GKF159R99 GKA159R99 GKAF159R99	4P	4.7			2871	143.47	62			2.70			1.3	10093	1093	110	1.70	1.5	8699	942	110	1.95	1.6	7877	853	110	2.15	2.5	5236	567	110	3.25	2.8	4654	504	111	3.65	2.6	4977	539	78	2.50	GK129R89 GKF129R89 GKA129R89 GKAF129R89	4P	5.6	2431			121.46	62	3.20			3.3	3878	420	78	3.15	3.8	3398	368			78	3.65	0.80	16225	1757	70	0.80	GK129R79 GKF129R79 GKA129R79 GKAF129R79	4P	6.0	2250			112.41	62	3.50			0.91	14230	1541	74	0.90	1.0	12393	1342	76	1.05	1.2	10869	1177	76	1.20	1.4	9465	1025	77	1.40	1.6	8302	899	77	1.60	1.8	7295	790	78	1.80	2.0	6501			704	78	2.00	2.3	5633	610	78	2.35	2.6	5070	549	78	2.55			2.9	4405	477	78	3.00	3.3	3869	419											78	3.45	1.4	9512	1030	62	0.85			GK109R79 GKF109R79 GKA109R79 GKAF109R79	4P	4.4	3066	153.21			38	1.35	1.5	8348	904	62	0.95	1.8	7323	793	62	1.10	2.0	6427	696	62	1.25	2.3	5670	614	62	1.40	2.7	4820	522	62	1.65	3.0	4257	461	62	1.90	3.4	3768	408	62	2.10	3.8	3361	364	62	2.40	4.4			2937	318	62	2.70	8.0			1693							174.19	27	1.55			GK99 GKF99 GKA99 GKAF99	6P	8.0	1711	176.05			38	2.40	8.5	1597	164.34	27	1.60	9.5	1432	147.33	27	1.80	11	1234	126.91	27	2.10	12	1126	115.82	27	2.30			14	998	102.71	27	2.60	16	839	86.34	27	3.10	8.3			1637	113.10	13	0.90	GK89 GKF89 GKA89 GKAF89	4P	8.3			1637	113.10	13	0.90	9.7	1399	96.66	15	1.05			11	1283	88.61	16	1.10	12	1126	77.76	17	1.30	10			1310	134.74	16	1.15	GK89 GKF89 GKA89 GKAF89	6P	10			1310	134.74	16	1.15	11	1244	128.00	16	1.20	12	1099	113.10	17			1.35	14	940	96.66	17	1.55	16	861	88.61	18	1.70	18	756			77.76	18	1.95	19	716	73.69	18	2.10	GK79 GKF79 GKA79 GKAF79			4P	22	627	64.49	18	2.40	24	565	58.10	19	2.60	27	495	50.97	19	3.00	31	437	44.98	19	3.40	35	388	39.88	19	3.80																																									
0.39	33327	3609	171	1.50	0.46	28276	3062	171	1.80	GK189R99 GKA189R99	4P			4.8	2706	293			26	1.00	0.56			23262	2519	171	2.20	0.62	20944	2268	171	2.50	0.34	37668	4079	135	0.85	GK169R99 GKA169R99	4P	5.6	2309	250			26	1.15	0.41	31176	3376			135	1.05	0.51	25441	2755	135	1.30	0.64	20150	2182	135	1.60	GK169R99 GKA169R99	4P	5.9	2179	236			27	1.25	0.82	15736	1704			135	2.10	0.99	13002	1408	135	2.50	1.08	11968	1296	135	2.70	GK169R99 GKA169R99	4P	7.0	1856	201			62	1.45	0.60	21452	2323			105	0.80	GK159R99 GKF159R99 GKA159R99 GKAF159R99	4P	7.7	1690	183			27	1.60	0.84	15320	1659	108	1.10		1.0	12605		1365	109	1.35	1.1	11349	1229	109	1.50	GK159R99 GKF159R99 GKA159R99 GKAF159R99	4P	4.7	2871	143.47			62			2.70	1.3	10093			1093			110	1.70	1.5	8699	942	110	1.95	1.6	7877	853	110	2.15	2.5	5236	567	110	3.25	2.8	4654	504	111	3.65	2.6	4977	539	78	2.50	GK129R89 GKF129R89 GKA129R89 GKAF129R89	4P	5.6			2431	121.46	62	3.20	3.3	3878	420			78	3.15	3.8	3398	368	78	3.65	0.80			16225	1757	70	0.80	GK129R79 GKF129R79 GKA129R79 GKAF129R79	4P	6.0			2250	112.41			62	3.50	0.91			14230	1541	74	0.90	1.0	12393	1342	76	1.05	1.2	10869	1177	76	1.20	1.4	9465	1025	77	1.40	1.6	8302	899	77	1.60	1.8	7295	790	78	1.80	2.0	6501	704	78	2.00	2.3	5633	610	78	2.35	2.6	5070	549	78	2.55	2.9	4405	477			78	3.00	3.3	3869	419	78	3.45	1.4											9512	1030	62	0.85	GK109R79 GKF109R79 GKA109R79 GKAF109R79	4P	4.4					3066	153.21	38			1.35	1.5	8348	904	62	0.95	1.8	7323	793	62	1.10	2.0	6427	696	62	1.25	2.3	5670	614	62	1.40	2.7	4820	522	62	1.65	3.0	4257	461	62	1.90	3.4	3768	408	62	2.10	3.8	3361	364	62	2.40	4.4	2937			318	62	2.70	8.0	1693	174.19	27	1.55							GK99 GKF99 GKA99 GKAF99	6P	8.0					1711	176.05	38			2.40	8.5	1597	164.34	27	1.60	9.5	1432	147.33	27	1.80	11	1234	126.91	27	2.10	12	1126	115.82	27	2.30	14	998	102.71	27	2.60	16	839	86.34	27	3.10	8.3	1637	113.10	13			0.90	GK89 GKF89 GKA89 GKAF89	4P	8.3			1637			113.10	13	0.90	9.7	1399	96.66	15	1.05	11			1283	88.61	16	1.10	12	1126	77.76	17	1.30	10	1310			134.74	16	1.15	GK89 GKF89 GKA89 GKAF89			6P			10	1310	134.74	16	1.15	11	1244	128.00	16	1.20	12	1099	113.10			17	1.35	14	940	96.66	17	1.55	16	861	88.61	18	1.70	18			756	77.76	18	1.95	19	716	73.69	18					2.10	GK79 GKF79 GKA79 GKAF79	4P	22	627	64.49	18	2.40	24	565	58.10	19	2.60	27	495	50.97	19	3.00	31	437	44.98	19	3.40	35	388	39.88	19	3.80																																						
0.46	28276	3062	171	1.80	GK189R99 GKA189R99	4P	4.8	2706	293			26	1.00	0.56	23262	2519			171	2.20	0.62	20944	2268	171	2.50	0.34	37668	4079	135	0.85	GK169R99 GKA169R99	4P	5.6	2309	250	26	1.15			0.41	31176	3376			135	1.05	0.51	25441	2755	135	1.30	0.64	20150	2182	135	1.60	GK169R99 GKA169R99	4P	5.9	2179	236	27	1.25			0.82	15736	1704			135	2.10	0.99	13002	1408	135	2.50	1.08	11968	1296	135	2.70	GK169R99 GKA169R99	4P	7.0	1856	201	62	1.45			0.60	21452	2323			105	0.80	GK159R99 GKF159R99 GKA159R99 GKAF159R99	4P	7.7	1690	183	27	1.60			0.84	15320	1659			108	1.10	1.0	12605	1365	109	1.35	1.1	11349	1229	109	1.50	GK159R99 GKF159R99 GKA159R99 GKAF159R99	4P	4.7	2871	143.47	62	2.70			1.3	10093	1093			110			1.70	1.5	8699			942			110	1.95	1.6	7877	853	110	2.15	2.5	5236	567	110	3.25	2.8	4654	504	111	3.65	2.6	4977	539	78	2.50	GK129R89 GKF129R89 GKA129R89 GKAF129R89	4P	5.6	2431	121.46			62			3.20	3.3	3878	420	78	3.15	3.8	3398	368	78	3.65	0.80	16225	1757	70	0.80	GK129R79 GKF129R79 GKA129R79 GKAF129R79			4P	6.0	2250	112.41			62			3.50	0.91			14230	1541	74			0.90	1.0	12393	1342	76	1.05	1.2	10869	1177	76	1.20	1.4	9465	1025	77	1.40	1.6	8302	899	77	1.60	1.8	7295	790	78	1.80	2.0	6501	704	78	2.00	2.3	5633	610	78	2.35	2.6	5070	549	78	2.55	2.9	4405	477	78	3.00	3.3	3869	419	78	3.45	1.4	9512	1030	62	0.85	GK109R79 GKF109R79 GKA109R79 GKAF109R79											4P	4.4	3066	153.21			38					1.35	1.5	8348			904	62	0.95	1.8	7323	793	62	1.10	2.0	6427	696	62	1.25	2.3	5670	614	62	1.40	2.7	4820	522	62	1.65	3.0	4257	461	62	1.90	3.4	3768	408	62	2.10	3.8	3361	364	62	2.40	4.4	2937	318	62	2.70			8.0	1693	174.19	27	1.55	GK99 GKF99 GKA99 GKAF99	6P	8.0	1711	176.05							38					2.40	8.5	1597			164.34	27	1.60	9.5	1432	147.33	27	1.80	11	1234	126.91	27	2.10	12	1126	115.82	27	2.30	14	998	102.71	27	2.60	16	839	86.34	27	3.10	8.3	1637	113.10	13	0.90	GK89 GKF89 GKA89 GKAF89	4P	8.3	1637	113.10			13			0.90			9.7	1399	96.66	15	1.05	11	1283	88.61	16			1.10	12	1126	77.76	17	1.30	10	1310	134.74	16	1.15			GK89 GKF89 GKA89 GKAF89	6P	10							1310	134.74	16	1.15	11	1244	128.00	16	1.20	12	1099	113.10	17			1.35	14	940	96.66	17	1.55	16	861	88.61	18	1.70	18	756			77.76	18	1.95	19	716	73.69	18	2.10					GK79 GKF79 GKA79 GKAF79			4P	22	627	64.49	18	2.40	24	565	58.10	19	2.60	27	495	50.97	19	3.00	31	437	44.98	19	3.40	35	388	39.88	19	3.80																																					
0.56	23262	2519	171	2.20			0.62	20944	2268			171	2.50	0.34	37668	4079	135	0.85	GK169R99 GKA169R99	4P	5.6	2309	250	26	1.15	0.41	31176	3376	135	1.05			0.51	25441	2755	135	1.30			0.64	20150	2182	135	1.60	GK169R99 GKA169R99	4P	5.9	2179	236	27	1.25	0.82	15736	1704	135	2.10			0.99	13002	1408	135	2.50			1.08	11968	1296	135	2.70	GK169R99 GKA169R99	4P	7.0	1856	201	62	1.45	0.60	21452	2323	105	0.80			GK159R99 GKF159R99 GKA159R99 GKAF159R99	4P	7.7	1690	183			27	1.60	0.84	15320	1659	108	1.10			1.0	12605	1365	109	1.35			1.1	11349	1229	109	1.50	GK159R99 GKF159R99 GKA159R99 GKAF159R99	4P	4.7	2871	143.47	62	2.70	1.3	10093	1093	110	1.70			1.5	8699	942	110	1.95			1.6	7877	853			110	2.15	2.5	5236	567	110			3.25			2.8	4654	504	111	3.65	2.6	4977	539	78	2.50	GK129R89 GKF129R89 GKA129R89 GKAF129R89	4P	5.6	2431	121.46	62	3.20	3.3	3878	420	78	3.15			3.8	3398	368			78	3.65	0.80	16225	1757	70	0.80	GK129R79 GKF129R79 GKA129R79 GKAF129R79	4P	6.0	2250	112.41	62	3.50	0.91	14230	1541	74	0.90					1.0	12393	1342			76			1.05	1.2			10869	1177	76			1.20	1.4	9465	1025	77	1.40	1.6	8302	899	77	1.60	1.8	7295	790	78	1.80	2.0	6501	704	78	2.00	2.3	5633	610	78	2.35	2.6	5070	549	78	2.55	2.9	4405	477	78	3.00	3.3	3869	419	78	3.45	1.4	9512	1030	62	0.85	GK109R79 GKF109R79 GKA109R79 GKAF109R79	4P	4.4	3066	153.21	38	1.35	1.5	8348	904							62	0.95					1.8	7323	793			62					1.10	2.0	6427			696	62	1.25	2.3	5670	614	62	1.40	2.7	4820	522	62	1.65	3.0	4257	461	62	1.90	3.4	3768	408	62	2.10	3.8	3361	364	62	2.40	4.4	2937	318	62	2.70	8.0	1693	174.19	27	1.55	GK99 GKF99 GKA99 GKAF99	6P	8.0	1711	176.05	38	2.40	8.5	1597	164.34	27	1.60			9.5	1432	147.33		27	1.80				11					1234	126.91	27			2.10	12	1126	115.82	27	2.30	14	998	102.71	27	2.60	16	839	86.34	27	3.10	8.3	1637	113.10	13	0.90	GK89 GKF89 GKA89 GKAF89	4P	8.3	1637	113.10	13	0.90	9.7	1399	96.66	15	1.05			11	1283	88.61			16			1.10	12	1126	77.76	17	1.30	10	1310	134.74	16	1.15	GK89 GKF89 GKA89 GKAF89	6P	10	1310	134.74	16	1.15	11	1244	128.00	16	1.20	12	1099					113.10							17	1.35	14	940	96.66	17	1.55	16	861	88.61	18	1.70	18			756	77.76	18	1.95	19	716	73.69	18	2.10	GK79 GKF79 GKA79 GKAF79	4P	22	627			64.49	18	2.40	24	565	58.10	19	2.60									27	495	50.97	19	3.00	31	437	44.98	19	3.40	35	388	39.88	19	3.80																																															
0.62	20944	2268	171	2.50			0.34	37668	4079	135	0.85	GK169R99 GKA169R99	4P	5.6	2309	250	26	1.15			0.41	31176	3376	135	1.05	0.51	25441	2755	135	1.30			0.64	20150	2182	135	1.60	GK169R99 GKA169R99	4P	5.9	2179	236	27	1.25			0.82	15736	1704	135	2.10	0.99	13002	1408	135	2.50			1.08	11968	1296	135	2.70	GK169R99 GKA169R99	4P	7.0	1856	201	62	1.45			0.60	21452	2323	105	0.80	GK159R99 GKF159R99 GKA159R99 GKAF159R99	4P	7.7	1690	183					27	1.60	0.84	15320	1659	108	1.10	1.0	12605	1365	109	1.35			1.1	11349	1229	109	1.50	GK159R99 GKF159R99 GKA159R99 GKAF159R99	4P	4.7	2871	143.47	62	2.70			1.3	10093	1093	110	1.70	1.5	8699	942	110	1.95			1.6	7877	853	110	2.15			2.5	5236	567			110	3.25	2.8	4654	504	111	3.65	2.6	4977			539	78	2.50	GK129R89 GKF129R89 GKA129R89 GKAF129R89	4P	5.6	2431	121.46	62	3.20			3.3	3878	420	78	3.15	3.8	3398	368	78	3.65			0.80	16225	1757	70	0.80	GK129R79 GKF129R79 GKA129R79 GKAF129R79	4P	6.0	2250	112.41	62	3.50			0.91	14230	1541	74	0.90	1.0	12393	1342	76	1.05					1.2	10869	1177			76			1.20	1.4			9465	1025	77			1.40	1.6	8302	899	77	1.60	1.8	7295	790	78	1.80	2.0	6501	704	78	2.00	2.3	5633	610	78	2.35	2.6	5070	549	78	2.55	2.9	4405	477	78	3.00	3.3	3869	419	78	3.45	1.4	9512	1030	62	0.85	GK109R79 GKF109R79 GKA109R79 GKAF109R79	4P	4.4	3066	153.21			38	1.35	1.5	8348	904	62	0.95	1.8						7323	793	62	1.10				2.0	6427	696			62					1.25	2.3	5670			614	62	1.40	2.7	4820	522	62	1.65	3.0	4257	461	62	1.90	3.4	3768	408	62	2.10	3.8	3361	364	62	2.40	4.4	2937	318	62	2.70	8.0	1693	174.19	27	1.55	GK99 GKF99 GKA99 GKAF99	6P	8.0	1711	176.05			38	2.40	8.5	1597	164.34	27	1.60	9.5	1432	147.33			27	1.80	11	1234	126.91	27	2.10			12	1126	115.82			27	2.30	14			998	102.71	27	2.60	16	839	86.34	27	3.10	8.3	1637	113.10	13	0.90	GK89 GKF89 GKA89 GKAF89	4P	8.3	1637	113.10	13	0.90			9.7	1399	96.66	15	1.05	11	1283	88.61	16	1.10			12	1126	77.76			17	1.30	10	1310	134.74	16	1.15	GK89 GKF89 GKA89 GKAF89	6P	10	1310	134.74	16	1.15			11	1244	128.00	16	1.20	12	1099	113.10	17	1.35	14	940	96.66	17			1.55							16	861	88.61	18	1.70	18	756	77.76	18	1.95	19	716	73.69			18	2.10	GK79 GKF79 GKA79 GKAF79	4P	22	627	64.49	18	2.40			24	565			58.10	19	2.60	27	495	50.97	19	3.00									31	437	44.98	19	3.40	35	388	39.88	19	3.80																																																				
0.34	37668	4079	135	0.85	GK169R99 GKA169R99	4P	5.6	2309	250	26	1.15			0.41	31176	3376	135	1.05			0.51	25441	2755	135	1.30	0.64	20150	2182	135	1.60	GK169R99 GKA169R99	4P	5.9	2179	236	27	1.25			0.82	15736	1704	135	2.10			0.99	13002	1408	135	2.50	1.08	11968	1296	135	2.70	GK169R99 GKA169R99	4P	7.0	1856	201	62	1.45			0.60	21452	2323	105	0.80			GK159R99 GKF159R99 GKA159R99 GKAF159R99	4P	7.7	1690	183			27	1.60	0.84	15320	1659			108	1.10	1.0	12605	1365	109	1.35	1.1	11349	1229	109	1.50	GK159R99 GKF159R99 GKA159R99 GKAF159R99	4P	4.7	2871	143.47	62	2.70			1.3	10093	1093	110	1.70			1.5	8699	942	110	1.95	1.6	7877	853	110	2.15			2.5	5236	567	110	3.25			2.8	4654	504			111	3.65	2.6	4977	539	78	2.50	GK129R89 GKF129R89 GKA129R89 GKAF129R89	4P	5.6	2431	121.46	62	3.20			3.3	3878	420	78	3.15			3.8	3398	368	78	3.65	0.80	16225	1757	70	0.80	GK129R79 GKF129R79 GKA129R79 GKAF129R79	4P	6.0	2250	112.41	62	3.50			0.91	14230	1541	74	0.90			1.0	12393	1342	76	1.05	1.2	10869	1177	76	1.20					1.4	9465	1025			77			1.40	1.6			8302	899	77			1.60	1.8	7295	790	78	1.80	2.0	6501	704	78	2.00	2.3	5633	610	78	2.35	2.6	5070	549	78	2.55	2.9	4405	477	78	3.00	3.3	3869	419	78	3.45	1.4	9512	1030	62	0.85	GK109R79 GKF109R79 GKA109R79 GKAF109R79	4P	4.4	3066	153.21			38	1.35	1.5			8348	904	62	0.95	1.8	7323	793	62					1.10	2.0	6427	696	62	1.25			2.3	5670	614			62					1.40	2.7	4820			522	62	1.65	3.0	4257	461	62	1.90	3.4	3768	408	62	2.10	3.8	3361	364	62	2.40	4.4	2937	318	62	2.70	8.0	1693	174.19	27	1.55	GK99 GKF99 GKA99 GKAF99	6P	8.0	1711	176.05			38	2.40	8.5			1597	164.34	27	1.60	9.5	1432	147.33	27	1.80	11			1234	126.91	27	2.10	12	1126	115.82			27	2.30	14			998	102.71	27	2.60	16	839	86.34	27	3.10	8.3	1637	113.10	13	0.90	GK89 GKF89 GKA89 GKAF89	4P	8.3	1637	113.10			13	0.90	9.7	1399	96.66			15	1.05	11	1283	88.61	16	1.10	12	1126	77.76			17	1.30	10	1310	134.74	16	1.15	GK89 GKF89 GKA89 GKAF89	6P	10	1310	134.74			16	1.15	11	1244	128.00			16	1.20	12	1099	113.10	17	1.35	14	940	96.66	17	1.55	16	861			88.61					18	1.70	18	756	77.76	18	1.95	19	716	73.69	18	2.10	GK79 GKF79 GKA79 GKAF79	4P	22	627	64.49	18	2.40			24	565	58.10	19	2.60			27	495			50.97	19	3.00	31	437	44.98	19	3.40									35	388	39.88	19	3.80																																																									
0.41	31176	3376	135	1.05			0.51	25441	2755	135	1.30			0.64	20150	2182	135	1.60	GK169R99 GKA169R99	4P	5.9	2179	236	27	1.25	0.82	15736	1704	135	2.10			0.99	13002	1408	135	2.50			1.08	11968	1296	135	2.70	GK169R99 GKA169R99	4P	7.0	1856	201	62	1.45	0.60	21452	2323	105	0.80			GK159R99 GKF159R99 GKA159R99 GKAF159R99	4P	7.7	1690	183			27	1.60	0.84	15320	1659	108	1.10			1.0	12605	1365			109	1.35	1.1	11349	1229	109	1.50	GK159R99 GKF159R99 GKA159R99 GKAF159R99	4P	4.7	2871	143.47	62	2.70	1.3	10093	1093	110	1.70			1.5	8699	942	110	1.95			1.6	7877	853	110	2.15			2.5	5236	567	110	3.25	2.8	4654	504	111	3.65			2.6	4977	539	78	2.50			GK129R89 GKF129R89 GKA129R89 GKAF129R89	4P	5.6	2431	121.46	62	3.20	3.3	3878	420	78	3.15			3.8	3398	368	78	3.65			0.80	16225	1757	70	0.80	GK129R79 GKF129R79 GKA129R79 GKAF129R79	4P	6.0	2250	112.41	62	3.50	0.91	14230	1541	74	0.90			1.0	12393	1342	76	1.05			1.2	10869	1177	76	1.20			1.4	9465	1025	77	1.40	1.6	8302	899	77	1.60					1.8	7295	790			78			1.80	2.0			6501	704	78			2.00	2.3	5633	610	78	2.35	2.6	5070	549	78	2.55	2.9	4405	477	78	3.00	3.3	3869	419	78	3.45	1.4	9512	1030	62	0.85	GK109R79 GKF109R79 GKA109R79 GKAF109R79	4P	4.4	3066	153.21	38	1.35	1.5	8348	904			62	0.95	1.8			7323	793	62			1.10	2.0	6427	696	62	1.25	2.3	5670		614	62		1.40	2.7	4820	522	62	1.65			3.0	4257	461			62					1.90	3.4	3768			408	62	2.10	3.8	3361	364	62	2.40	4.4	2937	318	62	2.70	8.0	1693	174.19	27	1.55	GK99 GKF99 GKA99 GKAF99	6P	8.0	1711	176.05	38	2.40	8.5	1597	164.34			27	1.60	9.5			1432	147.33	27			1.80	11	1234	126.91	27	2.10	12	1126	115.82	27			2.30	14	998	102.71	27	2.60	16			839	86.34	27	3.10	8.3	1637	113.10	13	0.90	GK89 GKF89 GKA89 GKAF89	4P	8.3	1637	113.10	13	0.90	9.7	1399	96.66			15	1.05	11			1283	88.61	16	1.10	12			1126	77.76	17	1.30	10	1310	134.74	16	1.15	GK89 GKF89 GKA89 GKAF89	6P	10	1310	134.74	16	1.15	11	1244	128.00			16	1.20	12			1099	113.10	17	1.35	14			940	96.66	17	1.55	16	861	88.61	18	1.70	18	756	77.76	18	1.95			19		716	73.69		18	2.10	GK79 GKF79 GKA79 GKAF79	4P	22	627	64.49	18	2.40	24	565	58.10			19	2.60	27	495	50.97			19	3.00	31	437	44.98			19	3.40	35	388	39.88	19	3.80																																																																											
0.51	25441	2755	135	1.30			0.64	20150	2182	135	1.60	GK169R99 GKA169R99	4P	5.9	2179	236	27	1.25			0.82	15736	1704	135	2.10	0.99	13002	1408	135	2.50			1.08	11968	1296	135	2.70	GK169R99 GKA169R99	4P	7.0	1856	201	62	1.45			0.60	21452	2323	105	0.80	GK159R99 GKF159R99 GKA159R99 GKAF159R99	4P	7.7	1690	183					27	1.60	0.84	15320	1659	108	1.10	1.0	12605	1365	109	1.35			1.1	11349	1229	109	1.50	GK159R99 GKF159R99 GKA159R99 GKAF159R99	4P	4.7	2871	143.47	62	2.70			1.3	10093	1093	110	1.70	1.5	8699	942	110	1.95			1.6	7877	853	110	2.15			2.5	5236	567	110	3.25			2.8	4654	504	111	3.65	2.6	4977	539	78	2.50			GK129R89 GKF129R89 GKA129R89 GKAF129R89	4P	5.6	2431	121.46	62	3.20			3.3	3878	420	78	3.15	3.8	3398	368	78	3.65			0.80	16225	1757	70	0.80	GK129R79 GKF129R79 GKA129R79 GKAF129R79	4P	6.0	2250	112.41	62	3.50			0.91	14230	1541	74	0.90	1.0	12393	1342	76	1.05			1.2	10869	1177	76	1.20			1.4	9465	1025	77	1.40			1.6	8302	899	77	1.60	1.8	7295	790	78	1.80					2.0	6501	704			78			2.00	2.3			5633	610	78			2.35	2.6	5070	549	78	2.55	2.9	4405	477	78	3.00	3.3	3869	419	78	3.45	1.4	9512	1030	62	0.85	GK109R79 GKF109R79 GKA109R79 GKAF109R79	4P	4.4	3066	153.21			38	1.35	1.5	8348	904	62	0.95	1.8			7323	793	62			1.10	2.0	6427			696	62	1.25	2.3	5670	614	62	1.40		2.7	4820	522	62	1.65	3.0	4257	461	62	1.90		3.4	3768	408			62					2.10	3.8	3361			364	62	2.40	4.4	2937	318	62	2.70	8.0	1693	174.19	27	1.55	GK99 GKF99 GKA99 GKAF99	6P	8.0	1711	176.05			38	2.40	8.5	1597	164.34	27	1.60	9.5			1432	147.33	27			1.80	11	1234			126.91	27	2.10	12	1126	115.82	27	2.30	14	998			102.71	27	2.60	16	839	86.34	27	3.10	8.3	1637	113.10	13	0.90	GK89 GKF89 GKA89 GKAF89	4P	8.3	1637	113.10			13	0.90	9.7	1399	96.66	15	1.05	11			1283	88.61	16			1.10	12	1126	77.76	17	1.30	10	1310	134.74	16	1.15	GK89 GKF89 GKA89 GKAF89	6P	10	1310	134.74			16	1.15	11	1244	128.00	16	1.20	12			1099	113.10	17			1.35	14	940	96.66	17			1.55	16	861	88.61	18	1.70	18	756	77.76	18	1.95	19	716	73.69			18	2.10	GK79 GKF79 GKA79 GKAF79	4P	22	627	64.49			18	2.40	24	565	58.10	19	2.60	27			495	50.97	19	3.00	31			437	44.98	19	3.40	35			388	39.88	19	3.80																																																																														
0.64	20150	2182	135	1.60	GK169R99 GKA169R99	4P	5.9	2179	236	27	1.25			0.82	15736	1704	135	2.10			0.99	13002	1408	135	2.50	1.08	11968	1296	135	2.70	GK169R99 GKA169R99	4P	7.0	1856	201	62	1.45			0.60	21452	2323	105	0.80			GK159R99 GKF159R99 GKA159R99 GKAF159R99	4P	7.7	1690	183			27	1.60	0.84	15320	1659			108	1.10	1.0	12605	1365	109	1.35	1.1	11349	1229	109	1.50	GK159R99 GKF159R99 GKA159R99 GKAF159R99	4P	4.7	2871	143.47	62	2.70			1.3	10093	1093	110	1.70			1.5	8699	942	110	1.95	1.6	7877	853	110	2.15			2.5	5236	567	110	3.25			2.8	4654	504	111	3.65			2.6	4977	539	78	2.50	GK129R89 GKF129R89 GKA129R89 GKAF129R89	4P	5.6	2431	121.46	62	3.20			3.3	3878	420	78	3.15			3.8	3398	368	78	3.65	0.80	16225	1757	70	0.80	GK129R79 GKF129R79 GKA129R79 GKAF129R79	4P	6.0	2250	112.41	62	3.50			0.91	14230	1541	74	0.90			1.0	12393	1342	76	1.05	1.2	10869	1177	76	1.20			1.4	9465	1025	77	1.40			1.6	8302	899	77	1.60			1.8	7295	790	78	1.80	2.0	6501	704	78	2.00					2.3	5633	610			78			2.35	2.6			5070	549	78			2.55	2.9	4405	477	78	3.00	3.3	3869	419	78	3.45	1.4	9512	1030	62	0.85	GK109R79 GKF109R79 GKA109R79 GKAF109R79	4P	4.4	3066	153.21			38	1.35	1.5			8348	904	62	0.95	1.8	7323	793	62			1.10	2.0	6427			696	62	1.25			2.3	5670	614	62	1.40	2.7	4820	522		62	1.65	3.0	4257	461	62	1.90	3.4	3768	408		62	2.10	3.8			3361	364	62			2.40	4.4	2937			318	62	2.70	8.0	1693	174.19	27	1.55	GK99 GKF99 GKA99 GKAF99	6P	8.0	1711	176.05			38	2.40	8.5			1597	164.34	27	1.60	9.5	1432	147.33	27			1.80	11	1234			126.91	27	2.10			12	1126	115.82	27	2.30	14	998	102.71	27	2.60	16	839	86.34	27	3.10	8.3	1637	113.10	13	0.90	GK89 GKF89 GKA89 GKAF89	4P	8.3	1637	113.10			13	0.90	9.7			1399	96.66	15	1.05	11	1283	88.61	16			1.10	12	1126	77.76	17	1.30	10	1310	134.74	16	1.15	GK89 GKF89 GKA89 GKAF89	6P	10	1310	134.74			16	1.15	11			1244	128.00	16	1.20	12	1099	113.10	17			1.35	14	940			96.66	17	1.55	16	861			88.61	18	1.70	18	756	77.76	18	1.95	19	716	73.69	18	2.10	GK79 GKF79 GKA79 GKAF79	4P	22	627	64.49			18	2.40	24			565	58.10	19	2.60	27	495	50.97	19			3.00	31	437	44.98	19			3.40	35	388	39.88	19			3.80																																																																																	
0.82	15736	1704	135	2.10			0.99	13002	1408	135	2.50			1.08	11968	1296	135	2.70	GK169R99 GKA169R99	4P	7.0	1856	201	62	1.45	0.60	21452	2323	105	0.80			GK159R99 GKF159R99 GKA159R99 GKAF159R99	4P	7.7	1690	183			27	1.60	0.84	15320	1659	108	1.10			1.0	12605	1365			109	1.35	1.1	11349	1229	109	1.50	GK159R99 GKF159R99 GKA159R99 GKAF159R99	4P	4.7	2871	143.47	62	2.70	1.3	10093	1093	110	1.70			1.5	8699	942	110	1.95			1.6	7877	853	110	2.15			2.5	5236	567	110	3.25	2.8	4654	504	111	3.65			2.6	4977	539	78	2.50			GK129R89 GKF129R89 GKA129R89 GKAF129R89	4P	5.6	2431	121.46	62	3.20	3.3	3878	420	78	3.15			3.8	3398	368	78	3.65			0.80	16225	1757	70	0.80	GK129R79 GKF129R79 GKA129R79 GKAF129R79	4P	6.0	2250	112.41	62	3.50	0.91	14230	1541	74	0.90			1.0	12393	1342	76	1.05			1.2	10869	1177	76	1.20			1.4	9465	1025	77	1.40	1.6	8302	899	77	1.60			1.8	7295	790	78	1.80			2.0	6501	704	78	2.00			2.3	5633	610	78	2.35	2.6	5070	549	78	2.55		2.9	4405		477	78	3.00			3.3			3869	419			78	3.45	1.4			9512	1030	62	0.85	GK109R79 GKF109R79 GKA109R79 GKAF109R79	4P	4.4	3066	153.21	38	1.35	1.5	8348	904	62	0.95			1.8	7323	793			62	1.10	2.0			6427	696	62	1.25	2.3	5670	614	62			1.40	2.7	4820			522	62	1.65			3.0	4257	461	62	1.90	3.4	3768	408		62	2.10	3.8	3361	364	62	2.40	4.4	2937	318		62	2.70	8.0			1693	174.19	27			1.55	GK99 GKF99 GKA99 GKAF99	6P	8.0	1711	176.05	38	2.40	8.5	1597	164.34	27	1.60			9.5	1432	147.33			27	1.80	11			1234	126.91	27	2.10	12	1126	115.82	27			2.30	14	998			102.71	27	2.60	16	839	86.34	27	3.10	8.3	1637	113.10	13	0.90	GK89 GKF89 GKA89 GKAF89	4P	8.3	1637	113.10	13	0.90	9.7	1399	96.66	15	1.05			11	1283	88.61			16	1.10	12			1126	77.76	17	1.30	10	1310	134.74	16	1.15	GK89 GKF89 GKA89 GKAF89	6P	10	1310	134.74	16	1.15	11	1244	128.00	16	1.20			12	1099	113.10			17	1.35	14			940	96.66	17	1.55	16	861	88.61	18			1.70	18	756			77.76	18	1.95	19	716	73.69	18	2.10	GK79 GKF79 GKA79 GKAF79	4P	22	627	64.49	18	2.40	24	565	58.10	19	2.60			27	495	50.97			19	3.00	31			437	44.98	19	3.40	35	388	39.88	19			3.80																																																																																															
0.99	13002	1408	135	2.50			1.08	11968	1296	135	2.70	GK169R99 GKA169R99	4P	7.0	1856	201	62	1.45			0.60	21452	2323	105	0.80	GK159R99 GKF159R99 GKA159R99 GKAF159R99	4P	7.7	1690	183					27	1.60	0.84	15320	1659	108	1.10	1.0	12605	1365	109	1.35			1.1	11349	1229	109	1.50	GK159R99 GKF159R99 GKA159R99 GKAF159R99	4P	4.7	2871	143.47	62	2.70			1.3	10093	1093	110	1.70	1.5	8699	942	110	1.95			1.6	7877	853	110	2.15			2.5	5236	567	110	3.25			2.8	4654	504	111	3.65	2.6	4977	539	78	2.50			GK129R89 GKF129R89 GKA129R89 GKAF129R89	4P	5.6	2431	121.46	62	3.20			3.3	3878	420	78	3.15	3.8	3398	368	78	3.65			0.80	16225	1757	70	0.80	GK129R79 GKF129R79 GKA129R79 GKAF129R79	4P	6.0	2250	112.41	62	3.50			0.91	14230	1541	74	0.90	1.0	12393	1342	76	1.05			1.2	10869	1177	76	1.20			1.4	9465	1025	77	1.40			1.6	8302	899	77	1.60	1.8	7295	790	78	1.80			2.0	6501	704	78	2.00			2.3	5633	610	78	2.35			2.6	5070	549	78	2.55	2.9	4405	477	78	3.00		3.3	3869		419	78	3.45			1.4			9512	1030	62	0.85	GK109R79 GKF109R79 GKA109R79 GKAF109R79	4P	4.4			3066	153.21	38	1.35			1.5	8348	904	62	0.95	1.8	7323	793	62	1.10			2.0	6427	696			62	1.25	2.3			5670	614	62	1.40	2.7	4820	522	62			1.65	3.0	4257			461	62	1.90			3.4	3768	408	62	2.10	3.8	3361	364		62	2.40	4.4	2937	318	62	2.70	8.0	1693	174.19		27	1.55	GK99 GKF99 GKA99 GKAF99			6P	8.0	1711	176.05	38	2.40			8.5	1597	164.34	27	1.60	9.5	1432	147.33	27	1.80			11	1234	126.91			27	2.10	12			1126	115.82	27	2.30	14	998	102.71	27			2.60	16	839	86.34	27	3.10	8.3	1637	113.10	13	0.90	GK89 GKF89 GKA89 GKAF89	4P	8.3	1637	113.10	13	0.90			9.7	1399	96.66	15	1.05	11	1283	88.61	16	1.10			12	1126	77.76			17	1.30	10	1310	134.74	16	1.15	GK89 GKF89 GKA89 GKAF89	6P	10	1310	134.74	16	1.15			11	1244	128.00	16	1.20	12	1099	113.10	17	1.35			14	940	96.66			17	1.55	16			861	88.61	18	1.70	18	756	77.76	18			1.95	19	716	73.69	18	2.10	GK79 GKF79 GKA79 GKAF79	4P	22	627	64.49	18	2.40			24	565	58.10	19	2.60	27	495	50.97	19	3.00			31	437	44.98			19	3.40	35			388	39.88	19	3.80																																																																																																						
1.08	11968	1296	135	2.70	GK169R99 GKA169R99	4P	7.0	1856	201	62	1.45			0.60	21452	2323	105	0.80			GK159R99 GKF159R99 GKA159R99 GKAF159R99	4P	7.7	1690	183			27	1.60	0.84	15320	1659			108	1.10	1.0	12605	1365	109	1.35	1.1	11349	1229	109	1.50	GK159R99 GKF159R99 GKA159R99 GKAF159R99	4P	4.7	2871	143.47	62	2.70			1.3	10093	1093	110	1.70			1.5	8699	942	110	1.95	1.6	7877	853	110	2.15			2.5	5236	567	110	3.25			2.8	4654	504	111	3.65			2.6	4977	539	78	2.50	GK129R89 GKF129R89 GKA129R89 GKAF129R89	4P	5.6	2431	121.46	62	3.20			3.3	3878	420	78	3.15			3.8	3398	368	78	3.65	0.80	16225	1757	70	0.80	GK129R79 GKF129R79 GKA129R79 GKAF129R79	4P	6.0	2250	112.41	62	3.50			0.91	14230	1541	74	0.90			1.0	12393	1342	76	1.05	1.2	10869	1177	76	1.20			1.4	9465	1025	77	1.40			1.6	8302	899	77	1.60			1.8	7295	790	78	1.80	2.0	6501	704	78	2.00			2.3	5633	610	78	2.35			2.6	5070	549	78	2.55			2.9	4405	477	78	3.00	3.3	3869	419	78	3.45		1.4	9512		1030	62	0.85			GK109R79 GKF109R79 GKA109R79 GKAF109R79			4P	4.4	3066	153.21			38	1.35	1.5	8348	904	62	0.95			1.8	7323	793	62	1.10	2.0	6427	696	62	1.25			2.3	5670	614			62	1.40	2.7			4820	522	62	1.65	3.0	4257	461	62			1.90	3.4	3768			408	62	2.10			3.8	3361	364	62	2.40	4.4	2937	318		62	2.70	8.0	1693	174.19	27	1.55	GK99 GKF99 GKA99 GKAF99	6P	8.0		1711	176.05		38	2.40		8.5	1597	164.34	27	1.60			9.5	1432	147.33	27	1.80	11	1234	126.91	27	2.10			12	1126	115.82			27	2.30	14			998	102.71	27	2.60	16	839	86.34	27	3.10	8.3	1637	113.10	13	0.90	GK89 GKF89 GKA89 GKAF89	4P	8.3	1637	113.10	13	0.90			9.7	1399	96.66	15	1.05			11	1283	88.61	16	1.10	12	1126	77.76	17	1.30			10	1310	134.74	16	1.15	GK89 GKF89 GKA89 GKAF89	6P	10	1310	134.74	16	1.15			11	1244	128.00	16	1.20			12	1099	113.10	17	1.35	14	940	96.66	17	1.55			16	861	88.61			18	1.70	18			756	77.76	18	1.95	19	716	73.69	18	2.10	GK79 GKF79 GKA79 GKAF79	4P	22	627	64.49	18	2.40			24	565	58.10	19	2.60			27	495	50.97	19	3.00	31	437	44.98	19	3.40			35	388	39.88			19	3.80																																																																																																													
0.60	21452	2323	105	0.80			GK159R99 GKF159R99 GKA159R99 GKAF159R99	4P	7.7	1690	183			27	1.60	0.84	15320	1659	108	1.10			1.0	12605	1365			109	1.35	1.1	11349	1229	109	1.50	GK159R99 GKF159R99 GKA159R99 GKAF159R99	4P	4.7	2871	143.47	62	2.70	1.3	10093	1093	110	1.70			1.5	8699	942	110	1.95			1.6	7877	853	110	2.15			2.5	5236	567	110	3.25	2.8	4654	504	111	3.65			2.6	4977	539	78	2.50			GK129R89 GKF129R89 GKA129R89 GKAF129R89	4P	5.6	2431	121.46	62	3.20	3.3	3878	420	78	3.15			3.8	3398	368	78	3.65			0.80	16225	1757	70	0.80	GK129R79 GKF129R79 GKA129R79 GKAF129R79	4P	6.0	2250	112.41	62	3.50	0.91	14230	1541	74	0.90			1.0	12393	1342	76	1.05			1.2	10869	1177	76	1.20			1.4	9465	1025	77	1.40	1.6	8302	899	77	1.60			1.8	7295	790	78	1.80			2.0	6501	704	78	2.00			2.3	5633	610	78	2.35	2.6	5070	549	78	2.55			2.9	4405	477	78	3.00			3.3	3869	419	78	3.45			1.4	9512	1030	62	0.85	GK109R79 GKF109R79 GKA109R79 GKAF109R79	4P	4.4	3066	153.21		38	1.35		1.5	8348	904				62	0.95		1.8	7323	793			62	1.10	2.0	6427	696	62	1.25			2.3	5670	614	62	1.40	2.7	4820	522	62	1.65			3.0	4257	461			62	1.90	3.4			3768	408	62	2.10	3.8	3361	364	62			2.40	4.4	2937			318	62	2.70			8.0	1693	174.19	27	1.55	GK99 GKF99 GKA99 GKAF99	6P	8.0	1711	176.05	38	2.40	8.5	1597	164.34	27			1.60	9.5	1432	147.33		27	1.80		11	1234	126.91	27	2.10			12	1126	115.82	27	2.30	14	998	102.71	27	2.60			16	839	86.34			27	3.10	8.3	1637	113.10	13	0.90	GK89 GKF89 GKA89 GKAF89	4P	8.3	1637	113.10	13	0.90	9.7	1399	96.66	15	1.05			11	1283	88.61	16	1.10			12	1126	77.76	17	1.30			10	1310	134.74	16	1.15	GK89 GKF89 GKA89 GKAF89	6P	10	1310	134.74	16	1.15	11	1244	128.00	16	1.20			12	1099	113.10	17	1.35			14	940	96.66	17	1.55			16	861	88.61	18	1.70	18	756	77.76	18	1.95			19	716	73.69			18	2.10	GK79 GKF79 GKA79 GKAF79	4P	22	627	64.49	18	2.40	24	565	58.10	19	2.60			27	495	50.97	19	3.00			31	437	44.98	19	3.40			35	388	39.88	19	3.80																																																																																																																											
0.84	15320	1659	108	1.10					1.0	12605	1365	109	1.35	1.1	11349	1229	109	1.50	GK159R99 GKF159R99 GKA159R99 GKAF159R99	4P			4.7	2871	143.47	62	2.70	1.3	10093	1093	110	1.70	1.5	8699			942	110	1.95	1.6	7877	853	110	2.15	2.5	5236			567	110	3.25	2.8	4654			504	111	3.65	2.6	4977			539	78	2.50	GK129R89 GKF129R89 GKA129R89 GKAF129R89	4P	5.6	2431	121.46	62	3.20			3.3	3878	420	78	3.15	3.8	3398			368	78	3.65	0.80	16225	1757	70	0.80	GK129R79 GKF129R79 GKA129R79 GKAF129R79	4P			6.0	2250	112.41	62	3.50	0.91	14230	1541	74	0.90	1.0	12393			1342	76	1.05	1.2	10869	1177	76	1.20	1.4	9465			1025	77	1.40	1.6	8302			899	77	1.60	1.8	7295			790	78	1.80	2.0	6501	704	78	2.00	2.3	5633			610	78	2.35	2.6	5070			549	78	2.55	2.9	4405			477	78	3.00	3.3	3869	419	78	3.45	1.4	9512			1030	62	0.85	GK109R79 GKF109R79 GKA109R79 GKAF109R79	4P			4.4	3066	153.21	38	1.35			1.5	8348	904	62	0.95			1.8	7323	793		62	1.10		2.0	6427	696	62	1.25		2.3	5670		614	62	1.40			2.7	4820	522	62	1.65	3.0	4257			461	62	1.90	3.4	3768	408	62	2.10	3.8	3361			364	62	2.40			4.4	2937	318			62	2.70	8.0	1693	174.19	27	1.55	GK99 GKF99 GKA99 GKAF99			6P	8.0	1711			176.05	38	2.40	8.5	1597	164.34	27	1.60	9.5	1432			147.33	27	1.80	11	1234	126.91	27	2.10	12			1126	115.82	27	2.30		14	998		102.71	27	2.60	16	839			86.34	27	3.10	8.3	1637	113.10	13	0.90	GK89 GKF89 GKA89 GKAF89	4P			8.3	1637	113.10	13	0.90	9.7	1399	96.66	15	1.05	11	1283			88.61	16	1.10	12	1126	77.76	17	1.30	10	1310			134.74	16	1.15	GK89 GKF89 GKA89 GKAF89	6P			10	1310	134.74	16	1.15	11	1244	128.00	16	1.20	12	1099			113.10	17	1.35	14	940	96.66	17	1.55	16	861			88.61	18	1.70	18	756			77.76	18	1.95	19	716			73.69	18	2.10	GK79 GKF79 GKA79 GKAF79	4P	22	627	64.49	18	2.40			24	565	58.10	19	2.60	27	495			50.97	19	3.00	31	437	44.98	19	3.40	35	388			39.88	19	3.80																																																																																																																																											
1.0	12605	1365	109	1.35	1.1	11349			1229	109	1.50	GK159R99 GKF159R99 GKA159R99 GKAF159R99	4P	4.7	2871	143.47	62	2.70			1.3	10093	1093	110	1.70	1.5	8699	942	110	1.95	1.6	7877	853	110			2.15	2.5	5236	567	110	3.25	2.8	4654	504	111			3.65	2.6	4977	539	78			2.50	GK129R89 GKF129R89 GKA129R89 GKAF129R89	4P	5.6	2431			121.46	62	3.20			3.3	3878	420	78	3.15	3.8	3398	368	78	3.65	0.80	16225	1757	70			0.80	GK129R79 GKF129R79 GKA129R79 GKAF129R79	4P	6.0	2250	112.41	62	3.50			0.91	14230	1541	74	0.90	1.0	12393	1342	76	1.05	1.2	10869	1177	76			1.20	1.4	9465	1025	77	1.40	1.6	8302	899	77			1.60	1.8	7295	790	78			1.80	2.0	6501	704	78			2.00	2.3	5633	610	78	2.35	2.6	5070	549	78			2.55	2.9	4405	477	78			3.00	3.3	3869	419	78			3.45	1.4	9512	1030	62	0.85	GK109R79 GKF109R79 GKA109R79 GKAF109R79	4P	4.4	3066			153.21	38	1.35					1.5	8348	904	62	0.95			1.8	7323	793	62	1.10			2.0	6427	696	62	1.25	2.3	5670	614	62	1.40	2.7	4820		522	62		1.65	3.0	4257			461	62	1.90	3.4	3768	408	62			2.10	3.8	3361	364	62	2.40	4.4	2937	318	62			2.70	8.0	1693			174.19	27	1.55			GK99 GKF99 GKA99 GKAF99	6P	8.0	1711	176.05	38	2.40					8.5	1597	164.34	27	1.60	9.5	1432	147.33	27	1.80	11	1234	126.91	27			2.10	12	1126	115.82	27	2.30	14	998	102.71			27	2.60	16	839		86.34	27		3.10	8.3	1637	113.10	13			0.90	GK89 GKF89 GKA89 GKAF89	4P	8.3	1637	113.10	13	0.90			9.7	1399	96.66	15	1.05	11	1283	88.61	16	1.10	12	1126	77.76	17			1.30	10	1310	134.74	16	1.15	GK89 GKF89 GKA89 GKAF89	6P	10	1310			134.74	16	1.15			11	1244	128.00	16	1.20	12	1099	113.10	17	1.35	14	940	96.66	17			1.55	16	861	88.61	18	1.70	18	756	77.76	18			1.95	19	716	73.69	18			2.10	GK79 GKF79 GKA79 GKAF79	4P	22	627			64.49	18	2.40			24	565	58.10	19	2.60	27	495	50.97	19	3.00	31	437	44.98	19			3.40	35	388	39.88	19	3.80																																																																																																																																																				
1.1	11349	1229	109	1.50	GK159R99 GKF159R99 GKA159R99 GKAF159R99	4P	4.7	2871	143.47	62	2.70			1.3	10093	1093	110	1.70			1.5	8699	942	110	1.95	1.6	7877	853	110	2.15	2.5	5236	567	110			3.25	2.8	4654	504	111	3.65	2.6	4977	539	78			2.50	GK129R89 GKF129R89 GKA129R89 GKAF129R89	4P	5.6	2431			121.46			62	3.20	3.3	3878	420	78	3.15			3.8	3398	368	78	3.65	0.80	16225	1757	70	0.80	GK129R79 GKF129R79 GKA129R79 GKAF129R79	4P	6.0	2250	112.41	62	3.50			0.91	14230	1541	74	0.90			1.0	12393	1342	76	1.05	1.2	10869	1177	76	1.20	1.4	9465	1025	77			1.40	1.6	8302	899	77	1.60	1.8	7295	790	78			1.80	2.0	6501	704	78			2.00	2.3	5633	610	78			2.35	2.6	5070	549	78	2.55	2.9	4405	477	78			3.00	3.3	3869	419	78			3.45	1.4	9512	1030	62			0.85	GK109R79 GKF109R79 GKA109R79 GKAF109R79	4P	4.4	3066	153.21			38	1.35			1.5	8348	904					62	0.95	1.8	7323	793	62	1.10	2.0	6427	696	62	1.25			2.3	5670	614	62	1.40	2.7	4820	522	62	1.65	3.0	4257		461	62		1.90	3.4	3768			408	62	2.10	3.8	3361	364	62			2.40	4.4	2937	318	62	2.70	8.0	1693	174.19	27			1.55	GK99 GKF99 GKA99 GKAF99	6P			8.0	1711	176.05					38	2.40	8.5	1597	164.34		27	1.60		9.5	1432	147.33	27	1.80	11	1234	126.91	27	2.10	12	1126	115.82	27			2.30	14	998	102.71	27	2.60	16	839	86.34			27	3.10	8.3	1637		113.10	13		0.90	GK89 GKF89 GKA89 GKAF89	4P	8.3	1637	113.10	13	0.90			9.7	1399	96.66	15	1.05			11	1283	88.61	16	1.10	12	1126	77.76	17	1.30	10	1310	134.74	16			1.15	GK89 GKF89 GKA89 GKAF89	6P	10	1310	134.74			16	1.15	11	1244	128.00	16	1.20			12	1099	113.10	17	1.35	14	940	96.66	17	1.55	16	861	88.61	18			1.70	18	756	77.76	18	1.95	19	716	73.69	18			2.10	GK79 GKF79 GKA79 GKAF79	4P	22	627			64.49			18	2.40	24	565	58.10	19	2.60			27	495	50.97	19	3.00	31	437	44.98	19	3.40	35	388	39.88	19			3.80																																																																																																																																																									
1.3	10093	1093	110	1.70			1.5	8699	942	110	1.95			1.6	7877	853	110	2.15			2.5	5236	567	110	3.25	2.8	4654	504	111	3.65	2.6	4977	539	78			2.50	GK129R89 GKF129R89 GKA129R89 GKAF129R89	4P	5.6	2431	121.46	62	3.20	3.3	3878			420			78	3.15	3.8	3398	368			78	3.65	0.80	16225	1757	70	0.80	GK129R79 GKF129R79 GKA129R79 GKAF129R79	4P	6.0	2250	112.41	62	3.50	0.91	14230	1541	74	0.90			1.0	12393	1342	76	1.05			1.2	10869	1177	76	1.20			1.4	9465	1025	77	1.40	1.6	8302	899	77	1.60	1.8	7295	790	78			1.80	2.0	6501	704	78	2.00	2.3	5633	610	78			2.35	2.6	5070	549	78			2.55	2.9	4405	477	78			3.00	3.3	3869	419	78	3.45	1.4	9512	1030	62			0.85	GK109R79 GKF109R79 GKA109R79 GKAF109R79	4P	4.4	3066			153.21	38	1.35	1.5	8348			904			62	0.95	1.8			7323	793			62	1.10	2.0			6427	696	62	1.25	2.3	5670	614	62	1.40	2.7	4820	522	62	1.65			3.0	4257	461	62	1.90	3.4	3768	408	62	2.10	3.8	3361		364	62		2.40	4.4	2937			318	62	2.70	8.0	1693	174.19	27			1.55	GK99 GKF99 GKA99 GKAF99	6P	8.0	1711	176.05	38	2.40	8.5	1597			164.34					27	1.60	9.5	1432	147.33			27	1.80	11	1234	126.91		27	2.10		12	1126	115.82	27	2.30	14	998	102.71	27	2.60	16	839	86.34	27			3.10	8.3	1637	113.10	13	0.90	GK89 GKF89 GKA89 GKAF89	4P	8.3			1637	113.10	13	0.90	9.7	1399	96.66	15	1.05			11	1283	88.61	16	1.10			12	1126	77.76	17	1.30			10	1310	134.74	16	1.15	GK89 GKF89 GKA89 GKAF89	6P	10	1310	134.74	16	1.15	11	1244	128.00	16	1.20			12	1099	113.10			17	1.35	14	940	96.66	17	1.55			16	861	88.61	18	1.70	18	756	77.76	18	1.95	19	716	73.69	18			2.10	GK79 GKF79 GKA79 GKAF79	4P	22	627	64.49	18	2.40	24	565			58.10			19	2.60	27	495	50.97			19	3.00	31	437	44.98	19	3.40			35	388	39.88	19	3.80																																																																																																																																																																					
1.5	8699	942	110	1.95			1.6	7877	853	110	2.15			2.5	5236	567	110	3.25			2.8	4654	504	111	3.65	2.6	4977	539	78	2.50	GK129R89 GKF129R89 GKA129R89 GKAF129R89	4P	5.6	2431			121.46			62	3.20	3.3	3878	420	78	3.15	3.8	3398	368			78	3.65	0.80	16225	1757	70	0.80	GK129R79 GKF129R79 GKA129R79 GKAF129R79	4P	6.0	2250	112.41	62	3.50			0.91	14230	1541	74	0.90	1.0	12393	1342	76	1.05			1.2	10869	1177	76	1.20			1.4	9465	1025	77	1.40			1.6	8302	899	77	1.60	1.8	7295	790	78	1.80	2.0	6501	704	78			2.00	2.3	5633	610	78	2.35	2.6	5070	549	78			2.55	2.9	4405	477	78			3.00	3.3	3869	419	78			3.45	1.4	9512	1030	62	0.85	GK109R79 GKF109R79 GKA109R79 GKAF109R79	4P	4.4	3066			153.21			38	1.35			1.5	8348	904	62	0.95			1.8			7323	793	62			1.10	2.0	6427	696	62	1.25	2.3			5670	614	62	1.40	2.7	4820	522	62	1.65	3.0	4257	461	62	1.90			3.4	3768	408	62	2.10	3.8	3361	364	62	2.40	4.4	2937		318	62		2.70	8.0	1693			174.19	27	1.55	GK99 GKF99 GKA99 GKAF99	6P	8.0	1711			176.05			38	2.40	8.5	1597	164.34	27	1.60			9.5			1432	147.33	27	1.80	11	1234	126.91			27	2.10	12	1126	115.82		27	2.30		14	998	102.71	27	2.60	16	839	86.34	27	3.10	8.3	1637	113.10	13			0.90	GK89 GKF89 GKA89 GKAF89	4P	8.3	1637	113.10			13	0.90	9.7	1399	96.66	15	1.05	11	1283	88.61	16	1.10			12	1126	77.76	17	1.30			10	1310	134.74	16	1.15	GK89 GKF89 GKA89 GKAF89	6P	10	1310	134.74	16	1.15			11	1244	128.00	16	1.20	12	1099	113.10	17	1.35			14	940	96.66			17	1.55	16	861	88.61	18	1.70			18	756	77.76	18	1.95	19	716	73.69	18	2.10	GK79 GKF79 GKA79 GKAF79	4P	22	627			64.49			18	2.40	24	565	58.10	19	2.60	27	495	50.97			19	3.00	31	437	44.98			19	3.40	35	388	39.88	19	3.80																																																																																																																																																																												
1.6	7877	853	110	2.15			2.5	5236	567	110	3.25			2.8	4654	504	111	3.65			2.6	4977	539	78	2.50	GK129R89 GKF129R89 GKA129R89 GKAF129R89	4P	5.6	2431	121.46			62	3.20	3.3	3878	420			78	3.15	3.8	3398	368	78	3.65	0.80	16225	1757	70	0.80	GK129R79 GKF129R79 GKA129R79 GKAF129R79	4P	6.0	2250	112.41	62	3.50			0.91	14230	1541	74	0.90			1.0	12393	1342	76	1.05	1.2	10869	1177	76	1.20			1.4	9465	1025	77	1.40			1.6	8302	899	77	1.60			1.8	7295	790	78	1.80	2.0	6501	704	78	2.00	2.3	5633	610	78			2.35	2.6	5070	549	78	2.55	2.9	4405	477	78			3.00	3.3	3869	419	78			3.45	1.4	9512	1030	62			0.85	GK109R79 GKF109R79 GKA109R79 GKAF109R79	4P	4.4	3066	153.21			38	1.35			1.5			8348	904			62	0.95	1.8	7323	793	62	1.10	2.0			6427	696	62			1.25	2.3	5670	614	62	1.40	2.7			4820	522	62	1.65	3.0	4257	461	62	1.90	3.4	3768	408	62	2.10			3.8	3361	364	62	2.40	4.4	2937	318	62	2.70	8.0	1693		174.19	27		1.55	GK99 GKF99 GKA99 GKAF99	6P			8.0	1711	176.05			38	2.40			8.5			1597	164.34	27	1.60	9.5	1432	147.33	27	1.80	11			1234	126.91	27	2.10	12	1126	115.82			27	2.30	14	998	102.71		27	2.60		16	839	86.34	27	3.10	8.3	1637	113.10	13	0.90	GK89 GKF89 GKA89 GKAF89	4P	8.3	1637	113.10	13	0.90			9.7	1399	96.66			15	1.05	11	1283	88.61	16	1.10	12	1126	77.76	17	1.30			10	1310	134.74	16	1.15	GK89 GKF89 GKA89 GKAF89	6P	10	1310	134.74	16	1.15			11	1244	128.00	16	1.20			12	1099	113.10	17	1.35	14	940	96.66	17	1.55			16	861	88.61			18	1.70	18	756	77.76	18	1.95			19	716	73.69	18	2.10	GK79 GKF79 GKA79 GKAF79	4P	22	627	64.49			18	2.40	24	565	58.10			19	2.60	27	495	50.97	19	3.00	31	437	44.98			19	3.40	35	388	39.88			19	3.80																																																																																																																																																																																	
2.5	5236	567	110	3.25			2.8	4654	504	111	3.65			2.6	4977	539	78	2.50	GK129R89 GKF129R89 GKA129R89 GKAF129R89	4P	5.6	2431	121.46	62	3.20			3.3	3878	420			78	3.15	3.8	3398	368	78	3.65	0.80	16225	1757	70	0.80	GK129R79 GKF129R79 GKA129R79 GKAF129R79	4P	6.0	2250	112.41	62	3.50			0.91	14230	1541	74	0.90			1.0	12393	1342	76	1.05			1.2	10869	1177	76	1.20	1.4	9465	1025	77	1.40			1.6	8302	899	77	1.60			1.8	7295	790	78	1.80			2.0	6501	704	78	2.00	2.3	5633	610	78	2.35	2.6	5070	549	78			2.55	2.9	4405	477	78	3.00	3.3	3869	419	78			3.45	1.4	9512	1030	62			0.85	GK109R79 GKF109R79 GKA109R79 GKAF109R79	4P	4.4	3066			153.21			38	1.35	1.5			8348	904			62			0.95	1.8	7323	793	62	1.10	2.0	6427	696	62	1.25	2.3			5670	614	62			1.40	2.7	4820	522	62	1.65	3.0			4257	461	62	1.90	3.4	3768	408	62	2.10	3.8	3361	364	62	2.40			4.4	2937	318	62	2.70	8.0	1693	174.19	27	1.55	GK99 GKF99 GKA99 GKAF99	6P		8.0	1711		176.05					38	2.40	8.5			1597	164.34	27	1.60	9.5			1432	147.33	27	1.80	11	1234	126.91	27	2.10	12			1126	115.82	27	2.30	14	998	102.71			27	2.60	16	839	86.34	27	3.10	8.3	1637	113.10	13	0.90	GK89 GKF89 GKA89 GKAF89	4P	8.3	1637	113.10	13	0.90			9.7	1399	96.66	15	1.05			11	1283	88.61			16	1.10	12	1126	77.76	17	1.30	10	1310	134.74	16	1.15	GK89 GKF89 GKA89 GKAF89	6P	10	1310	134.74	16	1.15			11	1244	128.00	16	1.20			12	1099	113.10	17	1.35			14	940	96.66	17	1.55	16	861	88.61	18	1.70			18	756	77.76			18	1.95	19	716	73.69	18	2.10	GK79 GKF79 GKA79 GKAF79	4P	22	627	64.49	18	2.40			24	565	58.10			19	2.60	27	495	50.97			19	3.00	31	437	44.98	19	3.40	35	388	39.88			19	3.80																																																																																																																																																																																								
2.8	4654	504	111	3.65			2.6	4977	539	78	2.50	GK129R89 GKF129R89 GKA129R89 GKAF129R89	4P	5.6	2431	121.46	62	3.20			3.3	3878	420	78	3.15			3.8	3398	368	78	3.65	0.80	16225	1757	70	0.80	GK129R79 GKF129R79 GKA129R79 GKAF129R79	4P	6.0	2250	112.41	62	3.50			0.91	14230	1541	74	0.90			1.0	12393	1342	76	1.05			1.2	10869	1177	76	1.20			1.4	9465	1025	77	1.40	1.6	8302	899	77	1.60			1.8	7295	790	78	1.80			2.0	6501	704	78	2.00			2.3	5633	610	78	2.35	2.6	5070	549	78	2.55	2.9	4405	477	78			3.00	3.3	3869	419	78	3.45	1.4	9512	1030	62			0.85	GK109R79 GKF109R79 GKA109R79 GKAF109R79	4P	4.4	3066			153.21			38	1.35			1.5			8348	904	62			0.95	1.8	7323	793	62			1.10	2.0	6427	696	62	1.25	2.3	5670	614	62	1.40	2.7			4820	522	62			1.65	3.0	4257	461	62	1.90	3.4			3768	408	62	2.10	3.8	3361	364	62	2.40	4.4	2937	318	62	2.70			8.0	1693	174.19	27	1.55	GK99 GKF99 GKA99 GKAF99	6P	8.0	1711	176.05				38	2.40		8.5			1597	164.34	27	1.60	9.5			1432	147.33	27	1.80	11			1234	126.91	27	2.10	12	1126	115.82	27	2.30	14			998	102.71	27	2.60	16	839	86.34	27	3.10	8.3	1637	113.10	13	0.90	GK89 GKF89 GKA89 GKAF89	4P	8.3	1637	113.10	13	0.90			9.7	1399	96.66	15	1.05			11	1283	88.61	16	1.10			12	1126	77.76	17	1.30	10	1310	134.74	16	1.15	GK89 GKF89 GKA89 GKAF89	6P	10	1310	134.74	16	1.15			11	1244	128.00	16	1.20			12	1099	113.10	17	1.35			14	940	96.66	17	1.55			16	861	88.61	18	1.70	18	756	77.76	18	1.95			19	716	73.69	18	2.10	GK79 GKF79 GKA79 GKAF79	4P	22	627	64.49	18	2.40			24	565	58.10	19	2.60			27	495	50.97			19	3.00	31	437	44.98			19	3.40	35	388	39.88	19	3.80																																																																																																																																																																																															
2.6	4977	539	78	2.50	GK129R89 GKF129R89 GKA129R89 GKAF129R89	4P	5.6	2431	121.46	62	3.20			3.3	3878	420	78	3.15			3.8	3398	368	78	3.65	0.80	16225	1757	70	0.80	GK129R79 GKF129R79 GKA129R79 GKAF129R79	4P	6.0	2250	112.41	62	3.50			0.91	14230	1541	74	0.90			1.0	12393	1342	76	1.05			1.2	10869	1177	76	1.20			1.4	9465	1025	77	1.40			1.6	8302	899	77	1.60	1.8	7295	790	78	1.80			2.0	6501	704	78	2.00			2.3	5633	610	78	2.35			2.6	5070	549	78	2.55	2.9	4405	477	78	3.00	3.3	3869	419	78			3.45	1.4	9512	1030	62	0.85	GK109R79 GKF109R79 GKA109R79 GKAF109R79	4P	4.4	3066			153.21			38	1.35			1.5			8348	904	62	0.95	1.8			7323	793	62			1.10	2.0	6427	696	62			1.25	2.3	5670	614	62	1.40	2.7	4820	522	62	1.65	3.0			4257	461	62			1.90	3.4	3768	408	62	2.10	3.8			3361	364	62	2.40	4.4	2937	318	62	2.70	8.0	1693	174.19	27	1.55			GK99 GKF99 GKA99 GKAF99	6P	8.0	1711	176.05			38	2.40	8.5			1597	164.34	27	1.60	9.5			1432	147.33	27	1.80	11			1234	126.91	27	2.10	12			1126	115.82	27	2.30	14	998	102.71	27	2.60	16	839	86.34	27	3.10	8.3	1637	113.10	13	0.90	GK89 GKF89 GKA89 GKAF89	4P	8.3	1637	113.10	13	0.90			9.7	1399	96.66	15	1.05			11	1283	88.61	16	1.10			12	1126	77.76	17	1.30	10	1310	134.74	16	1.15	GK89 GKF89 GKA89 GKAF89	6P	10	1310	134.74	16	1.15			11	1244	128.00	16	1.20			12	1099	113.10	17	1.35			14	940	96.66	17	1.55			16	861	88.61	18	1.70			18	756	77.76	18	1.95	19	716	73.69	18	2.10	GK79 GKF79 GKA79 GKAF79	4P	22	627	64.49	18	2.40			24	565	58.10	19	2.60			27	495	50.97	19	3.00			31	437	44.98			19	3.40	35	388	39.88			19	3.80																																																																																																																																																																																																				
3.3	3878	420	78	3.15			3.8	3398	368	78	3.65			0.80	16225	1757	70	0.80	GK129R79 GKF129R79 GKA129R79 GKAF129R79	4P	6.0	2250	112.41	62	3.50	0.91	14230	1541	74	0.90			1.0	12393	1342	76	1.05			1.2	10869	1177	76	1.20			1.4	9465	1025	77	1.40			1.6	8302	899	77	1.60			1.8	7295	790	78	1.80			2.0	6501	704	78	2.00	2.3	5633	610	78	2.35			2.6	5070	549	78	2.55			2.9	4405	477	78	3.00			3.3	3869	419	78	3.45	1.4	9512	1030	62	0.85	GK109R79 GKF109R79 GKA109R79 GKAF109R79	4P	4.4	3066			153.21	38	1.35	1.5	8348	904			62	0.95			1.8			7323	793	62	1.10	2.0			6427	696	62	1.25	2.3			5670	614	62			1.40	2.7	4820	522	62			1.65	3.0	4257	461	62	1.90	3.4	3768	408	62	2.10	3.8			3361	364	62			2.40	4.4	2937	318	62	2.70	8.0			1693	174.19	27	1.55	GK99 GKF99 GKA99 GKAF99	6P	8.0	1711	176.05	38	2.40	8.5	1597	164.34	27	1.60			9.5	1432	147.33			27	1.80	11			1234	126.91	27	2.10	12			1126	115.82	27	2.30	14			998	102.71	27	2.60	16	839	86.34	27	3.10	8.3	1637	113.10	13	0.90	GK89 GKF89 GKA89 GKAF89	4P	8.3	1637	113.10	13	0.90	9.7	1399	96.66	15	1.05			11	1283	88.61	16	1.10			12	1126	77.76	17	1.30			10	1310	134.74	16	1.15	GK89 GKF89 GKA89 GKAF89	6P	10	1310	134.74	16	1.15	11	1244	128.00	16	1.20			12	1099	113.10	17	1.35			14	940	96.66	17	1.55			16	861	88.61	18	1.70			18	756	77.76	18	1.95			19	716	73.69	18	2.10	GK79 GKF79 GKA79 GKAF79	4P	22	627	64.49	18	2.40	24	565	58.10	19	2.60			27	495	50.97	19	3.00			31	437	44.98	19	3.40			35	388	39.88	19	3.80																																																																																																																																																																																																																				
3.8	3398	368	78	3.65			0.80	16225	1757	70	0.80	GK129R79 GKF129R79 GKA129R79 GKAF129R79	4P	6.0	2250	112.41	62	3.50			0.91	14230	1541	74	0.90	1.0	12393	1342	76	1.05			1.2	10869	1177	76	1.20			1.4	9465	1025	77	1.40			1.6	8302	899	77	1.60			1.8	7295	790	78	1.80			2.0	6501	704	78	2.00			2.3	5633	610	78	2.35	2.6	5070	549	78	2.55			2.9	4405	477	78	3.00			3.3	3869	419	78	3.45			1.4	9512	1030	62	0.85	GK109R79 GKF109R79 GKA109R79 GKAF109R79	4P	4.4	3066	153.21			38	1.35			1.5	8348	904	62	0.95	1.8			7323	793	62	1.10	2.0			6427	696	62	1.25	2.3			5670	614	62	1.40	2.7			4820	522	62			1.65	3.0	4257	461	62			1.90	3.4	3768	408	62	2.10	3.8	3361	364	62	2.40	4.4			2937	318	62			2.70	8.0	1693	174.19	27	1.55	GK99 GKF99 GKA99 GKAF99	6P	8.0	1711	176.05	38	2.40			8.5	1597	164.34	27	1.60	9.5	1432	147.33	27	1.80			11	1234	126.91			27	2.10	12			1126	115.82	27	2.30	14			998	102.71	27	2.60	16	839	86.34	27	3.10	8.3	1637	113.10	13	0.90	GK89 GKF89 GKA89 GKAF89	4P	8.3	1637	113.10	13	0.90			9.7	1399	96.66	15	1.05	11	1283	88.61	16	1.10			12	1126	77.76	17	1.30			10	1310	134.74	16	1.15	GK89 GKF89 GKA89 GKAF89	6P	10	1310	134.74	16	1.15			11	1244	128.00	16	1.20	12	1099	113.10	17	1.35			14	940	96.66	17	1.55			16	861	88.61	18	1.70			18	756	77.76	18	1.95			19	716	73.69	18	2.10	GK79 GKF79 GKA79 GKAF79	4P	22	627	64.49	18	2.40			24	565	58.10	19	2.60	27	495	50.97	19	3.00			31	437	44.98	19	3.40			35	388	39.88	19	3.80																																																																																																																																																																																																																											
0.80	16225	1757	70	0.80	GK129R79 GKF129R79 GKA129R79 GKAF129R79	4P	6.0	2250	112.41	62	3.50			0.91	14230	1541	74	0.90			1.0	12393	1342	76	1.05	1.2	10869	1177	76	1.20			1.4	9465	1025	77	1.40			1.6	8302	899	77	1.60			1.8	7295	790	78	1.80			2.0	6501	704	78	2.00			2.3	5633	610	78	2.35			2.6	5070	549	78	2.55	2.9	4405	477	78	3.00			3.3	3869	419	78	3.45			1.4	9512	1030	62	0.85			GK109R79 GKF109R79 GKA109R79 GKAF109R79	4P	4.4	3066	153.21			38	1.35	1.5			8348	904	62	0.95	1.8	7323	793	62	1.10	2.0			6427	696	62	1.25	2.3			5670	614	62	1.40	2.7			4820	522	62	1.65	3.0			4257	461	62			1.90	3.4	3768	408	62			2.10	3.8	3361	364	62	2.40	4.4	2937	318	62	2.70	8.0			1693	174.19	27	1.55	GK99 GKF99 GKA99 GKAF99	6P	8.0	1711	176.05	38	2.40			8.5	1597	164.34	27	1.60			9.5	1432	147.33	27	1.80	11	1234	126.91	27	2.10			12	1126	115.82			27	2.30	14			998	102.71	27	2.60	16	839	86.34	27	3.10	8.3	1637	113.10	13	0.90	GK89 GKF89 GKA89 GKAF89	4P	8.3	1637	113.10	13	0.90			9.7	1399	96.66	15	1.05			11	1283	88.61	16	1.10	12	1126	77.76	17	1.30			10	1310	134.74	16	1.15	GK89 GKF89 GKA89 GKAF89	6P	10	1310	134.74	16	1.15			11	1244	128.00	16	1.20			12	1099	113.10	17	1.35	14	940	96.66	17	1.55			16	861	88.61	18	1.70			18	756	77.76	18	1.95			19	716	73.69	18	2.10	GK79 GKF79 GKA79 GKAF79	4P	22	627	64.49	18	2.40			24	565	58.10	19	2.60			27	495	50.97	19	3.00	31	437	44.98	19	3.40			35	388	39.88	19	3.80																																																																																																																																																																																																																																		
0.91	14230	1541	74	0.90			1.0	12393	1342	76	1.05			1.2	10869	1177	76	1.20			1.4	9465	1025	77	1.40	1.6	8302	899	77	1.60			1.8	7295	790	78	1.80			2.0	6501	704	78	2.00			2.3	5633	610	78	2.35			2.6	5070	549	78	2.55			2.9	4405	477	78	3.00			3.3	3869	419	78	3.45	1.4	9512	1030	62	0.85			GK109R79 GKF109R79 GKA109R79 GKAF109R79	4P	4.4	3066	153.21			38	1.35	1.5	8348	904	62	0.95			1.8	7323	793			62	1.10	2.0			6427	696	62	1.25	2.3	5670	614	62	1.40	2.7			4820	522	62	1.65	3.0			4257	461	62	1.90	3.4			3768	408	62	2.10	3.8			3361	364	62			2.40	4.4	2937	318	62			2.70	8.0	1693	174.19	27	1.55	GK99 GKF99 GKA99 GKAF99	6P	8.0	1711	176.05	38	2.40	8.5	1597	164.34	27	1.60			9.5	1432	147.33	27	1.80			11	1234	126.91	27	2.10			12	1126	115.82	27	2.30	14	998	102.71	27	2.60			16	839	86.34			27	3.10	8.3	1637	113.10	13	0.90	GK89 GKF89 GKA89 GKAF89	4P	8.3	1637	113.10	13	0.90	9.7	1399	96.66	15	1.05			11	1283	88.61	16	1.10			12	1126	77.76	17	1.30			10	1310	134.74	16	1.15	GK89 GKF89 GKA89 GKAF89	6P	10	1310	134.74	16	1.15	11	1244	128.00	16	1.20			12	1099	113.10	17	1.35			14	940	96.66	17	1.55			16	861	88.61	18	1.70	18	756	77.76	18	1.95			19	716	73.69	18	2.10			GK79 GKF79 GKA79 GKAF79	4P	22	627	64.49	18	2.40	24	565	58.10	19	2.60			27	495	50.97	19	3.00			31	437	44.98	19	3.40			35	388	39.88	19	3.80																																																																																																																																																																																																																																														
1.0	12393	1342	76	1.05			1.2	10869	1177	76	1.20			1.4	9465	1025	77	1.40			1.6	8302	899	77	1.60	1.8	7295	790	78	1.80			2.0	6501	704	78	2.00			2.3	5633	610	78	2.35			2.6	5070	549	78	2.55			2.9	4405	477	78	3.00			3.3	3869	419	78	3.45			1.4	9512	1030	62	0.85	GK109R79 GKF109R79 GKA109R79 GKAF109R79	4P	4.4	3066	153.21					38	1.35	1.5	8348	904	62	0.95	1.8	7323	793	62	1.10			2.0	6427	696			62	1.25	2.3			5670	614	62	1.40	2.7	4820	522	62	1.65	3.0			4257	461	62	1.90	3.4			3768	408	62	2.10	3.8			3361	364	62	2.40	4.4			2937	318	62			2.70	8.0	1693	174.19	27	1.55	GK99 GKF99 GKA99 GKAF99	6P	8.0	1711	176.05	38	2.40			8.5	1597	164.34	27	1.60	9.5	1432	147.33	27	1.80			11	1234	126.91	27	2.10			12	1126	115.82	27	2.30			14	998	102.71	27	2.60	16	839	86.34	27	3.10			8.3	1637	113.10	13	0.90	GK89 GKF89 GKA89 GKAF89	4P	8.3	1637	113.10	13	0.90			9.7	1399	96.66	15	1.05	11	1283	88.61	16	1.10			12	1126	77.76	17	1.30			10	1310	134.74	16	1.15	GK89 GKF89 GKA89 GKAF89	6P	10	1310	134.74	16	1.15			11	1244	128.00	16	1.20	12	1099	113.10	17	1.35			14	940	96.66	17	1.55			16	861	88.61	18	1.70			18	756	77.76	18	1.95	19	716	73.69	18	2.10			GK79 GKF79 GKA79 GKAF79	4P	22	627	64.49	18	2.40			24	565	58.10	19	2.60	27	495	50.97	19	3.00			31	437	44.98	19	3.40			35	388	39.88	19	3.80																																																																																																																																																																																																																																																					
1.2	10869	1177	76	1.20			1.4	9465	1025	77	1.40			1.6	8302	899	77	1.60			1.8	7295	790	78	1.80	2.0	6501	704	78	2.00			2.3	5633	610	78	2.35			2.6	5070	549	78	2.55			2.9	4405	477	78	3.00			3.3	3869	419	78	3.45			1.4	9512	1030	62	0.85			GK109R79 GKF109R79 GKA109R79 GKAF109R79	4P	4.4	3066	153.21			38	1.35	1.5	8348	904			62	0.95	1.8	7323	793	62	1.10	2.0	6427	696	62	1.25			2.3	5670	614			62	1.40	2.7			4820	522	62	1.65	3.0	4257	461	62	1.90	3.4			3768	408	62	2.10	3.8			3361	364	62	2.40	4.4			2937	318	62	2.70	8.0			1693	174.19	27	1.55	GK99 GKF99 GKA99 GKAF99	6P	8.0	1711	176.05	38	2.40			8.5	1597	164.34	27	1.60			9.5	1432	147.33	27	1.80	11	1234	126.91	27	2.10			12	1126	115.82	27	2.30			14	998	102.71	27	2.60			16	839	86.34	27	3.10	8.3	1637	113.10	13	0.90	GK89 GKF89 GKA89 GKAF89	4P	8.3	1637	113.10	13	0.90			9.7	1399	96.66	15	1.05			11	1283	88.61	16	1.10	12	1126	77.76	17	1.30			10	1310	134.74	16	1.15	GK89 GKF89 GKA89 GKAF89	6P	10	1310	134.74	16	1.15			11	1244	128.00	16	1.20			12	1099	113.10	17	1.35	14	940	96.66	17	1.55			16	861	88.61	18	1.70			18	756	77.76	18	1.95			19	716	73.69	18	2.10	GK79 GKF79 GKA79 GKAF79	4P	22	627	64.49	18	2.40			24	565	58.10	19	2.60			27	495	50.97	19	3.00	31	437	44.98	19	3.40			35	388	39.88	19	3.80																																																																																																																																																																																																																																																												
1.4	9465	1025	77	1.40			1.6	8302	899	77	1.60			1.8	7295	790	78	1.80			2.0	6501	704	78	2.00	2.3	5633	610	78	2.35			2.6	5070	549	78	2.55			2.9	4405	477	78	3.00			3.3	3869	419	78	3.45			1.4	9512	1030	62	0.85			GK109R79 GKF109R79 GKA109R79 GKAF109R79	4P	4.4	3066	153.21	38	1.35			1.5	8348	904			62	0.95	1.8	7323	793			62	1.10	2.0	6427	696	62	1.25	2.3	5670	614	62	1.40			2.7	4820	522			62	1.65	3.0			4257	461	62	1.90	3.4	3768	408	62	2.10	3.8			3361	364	62	2.40	4.4			2937	318	62	2.70	8.0			1693	174.19	27	1.55	GK99 GKF99 GKA99 GKAF99	6P	8.0	1711	176.05	38	2.40			8.5	1597	164.34	27	1.60			9.5	1432	147.33	27	1.80			11	1234	126.91	27	2.10	12	1126	115.82	27	2.30			14	998	102.71	27	2.60			16	839	86.34	27	3.10	8.3	1637	113.10	13	0.90	GK89 GKF89 GKA89 GKAF89	4P	8.3	1637	113.10	13	0.90			9.7	1399	96.66	15	1.05			11	1283	88.61	16	1.10			12	1126	77.76	17	1.30	10	1310	134.74	16	1.15	GK89 GKF89 GKA89 GKAF89	6P	10	1310	134.74	16	1.15			11	1244	128.00	16	1.20			12	1099	113.10	17	1.35			14	940	96.66	17	1.55	16	861	88.61	18	1.70			18	756	77.76	18	1.95			19	716	73.69	18	2.10	GK79 GKF79 GKA79 GKAF79	4P	22	627	64.49	18	2.40			24	565	58.10	19	2.60			27	495	50.97	19	3.00			31	437	44.98	19	3.40	35	388	39.88	19	3.80																																																																																																																																																																																																																																																																			
1.6	8302	899	77	1.60			1.8	7295	790	78	1.80			2.0	6501	704	78	2.00			2.3	5633	610	78	2.35	2.6	5070	549	78	2.55			2.9	4405	477	78	3.00			3.3	3869	419	78	3.45			1.4	9512	1030	62	0.85			GK109R79 GKF109R79 GKA109R79 GKAF109R79	4P	4.4	3066	153.21	38	1.35			1.5	8348	904	62	0.95			1.8	7323	793			62	1.10	2.0	6427	696			62	1.25	2.3	5670	614	62	1.40	2.7	4820	522	62	1.65			3.0	4257	461			62	1.90	3.4			3768	408	62	2.10	3.8	3361	364	62	2.40	4.4			2937	318	62	2.70	8.0			1693	174.19	27	1.55	GK99 GKF99 GKA99 GKAF99	6P	8.0	1711	176.05	38	2.40			8.5	1597	164.34	27	1.60			9.5	1432	147.33	27	1.80			11	1234	126.91	27	2.10			12	1126	115.82	27	2.30	14	998	102.71	27	2.60			16	839	86.34	27	3.10	8.3	1637	113.10	13	0.90	GK89 GKF89 GKA89 GKAF89	4P	8.3	1637	113.10	13	0.90			9.7	1399	96.66	15	1.05			11	1283	88.61	16	1.10			12	1126	77.76	17	1.30	10	1310	134.74	16	1.15	GK89 GKF89 GKA89 GKAF89	6P	10	1310	134.74	16	1.15			11	1244	128.00	16	1.20			12	1099	113.10	17	1.35			14	940	96.66	17	1.55			16	861	88.61	18	1.70	18	756	77.76	18	1.95			19	716	73.69	18	2.10	GK79 GKF79 GKA79 GKAF79	4P	22	627	64.49	18	2.40			24	565	58.10	19	2.60			27	495	50.97	19	3.00			31	437	44.98	19	3.40			35	388	39.88	19	3.80																																																																																																																																																																																																																																																																								
1.8	7295	790	78	1.80			2.0	6501	704	78	2.00			2.3	5633	610	78	2.35			2.6	5070	549	78	2.55	2.9	4405	477	78	3.00			3.3	3869	419	78	3.45			1.4	9512	1030	62	0.85			GK109R79 GKF109R79 GKA109R79 GKAF109R79	4P	4.4	3066	153.21	38	1.35			1.5	8348	904	62	0.95			1.8	7323	793	62	1.10			2.0	6427	696			62	1.25	2.3	5670	614			62	1.40	2.7	4820	522	62	1.65	3.0	4257	461	62	1.90			3.4	3768	408			62	2.10	3.8			3361	364	62	2.40	4.4	2937	318	62	2.70	8.0			1693	174.19	27	1.55	GK99 GKF99 GKA99 GKAF99	6P	8.0	1711	176.05	38	2.40			8.5	1597	164.34	27	1.60			9.5	1432	147.33	27	1.80			11	1234	126.91	27	2.10			12	1126	115.82	27	2.30			14	998	102.71	27	2.60	16	839	86.34	27	3.10	8.3	1637	113.10	13	0.90	GK89 GKF89 GKA89 GKAF89	4P	8.3	1637	113.10	13	0.90			9.7	1399	96.66	15	1.05			11	1283	88.61	16	1.10			12	1126	77.76	17	1.30	10	1310	134.74	16	1.15	GK89 GKF89 GKA89 GKAF89	6P	10	1310	134.74	16	1.15			11	1244	128.00	16	1.20			12	1099	113.10	17	1.35			14	940	96.66	17	1.55			16	861	88.61	18	1.70			18	756	77.76	18	1.95	19	716	73.69	18	2.10	GK79 GKF79 GKA79 GKAF79	4P	22	627	64.49	18	2.40			24	565	58.10	19	2.60			27	495	50.97	19	3.00			31	437	44.98	19	3.40			35	388	39.88	19	3.80																																																																																																																																																																																																																																																																															
2.0	6501	704	78	2.00			2.3	5633	610	78	2.35			2.6	5070	549	78	2.55			2.9	4405	477	78	3.00	3.3	3869	419	78	3.45			1.4	9512	1030	62	0.85			GK109R79 GKF109R79 GKA109R79 GKAF109R79	4P	4.4	3066	153.21	38	1.35			1.5	8348	904	62	0.95			1.8	7323	793	62	1.10			2.0	6427	696	62	1.25			2.3	5670	614			62	1.40	2.7	4820	522			62	1.65	3.0	4257	461	62	1.90	3.4	3768	408	62	2.10			3.8	3361	364			62	2.40	4.4			2937	318	62	2.70	8.0	1693	174.19	27	1.55	GK99 GKF99 GKA99 GKAF99	6P	8.0	1711	176.05	38	2.40			8.5	1597	164.34	27	1.60			9.5	1432	147.33	27	1.80			11	1234	126.91	27	2.10			12	1126	115.82	27	2.30			14	998	102.71	27	2.60	16	839	86.34	27	3.10	8.3	1637	113.10	13	0.90	GK89 GKF89 GKA89 GKAF89	4P	8.3	1637	113.10	13	0.90			9.7	1399	96.66	15	1.05			11	1283	88.61	16	1.10			12	1126	77.76	17	1.30	10	1310	134.74	16	1.15	GK89 GKF89 GKA89 GKAF89	6P	10	1310	134.74	16	1.15			11	1244	128.00	16	1.20			12	1099	113.10	17	1.35			14	940	96.66	17	1.55			16	861	88.61	18	1.70			18	756	77.76	18	1.95	19	716	73.69	18	2.10	GK79 GKF79 GKA79 GKAF79	4P	22	627	64.49	18	2.40			24	565	58.10	19	2.60			27	495	50.97	19	3.00			31	437	44.98	19	3.40			35	388	39.88	19	3.80																																																																																																																																																																																																																																																																																						
2.3	5633	610	78	2.35			2.6	5070	549	78	2.55			2.9	4405	477	78	3.00			3.3	3869	419	78	3.45	1.4	9512	1030	62	0.85			GK109R79 GKF109R79 GKA109R79 GKAF109R79	4P	4.4	3066	153.21	38	1.35			1.5	8348	904	62	0.95			1.8	7323	793	62	1.10			2.0	6427	696	62	1.25			2.3	5670	614	62	1.40			2.7	4820	522			62	1.65	3.0	4257	461			62	1.90	3.4	3768	408	62	2.10	3.8	3361	364	62	2.40			4.4	2937	318			62	2.70	8.0	1693	174.19	27	1.55	GK99 GKF99 GKA99 GKAF99	6P	8.0	1711	176.05	38	2.40			8.5	1597	164.34	27	1.60			9.5	1432	147.33	27	1.80			11	1234	126.91	27	2.10			12	1126	115.82	27	2.30			14	998	102.71	27	2.60	16	839	86.34	27	3.10	8.3	1637	113.10	13	0.90	GK89 GKF89 GKA89 GKAF89	4P	8.3	1637	113.10	13	0.90			9.7	1399	96.66	15	1.05			11	1283	88.61	16	1.10			12	1126	77.76	17	1.30	10	1310	134.74	16	1.15	GK89 GKF89 GKA89 GKAF89	6P	10	1310	134.74	16	1.15			11	1244	128.00	16	1.20			12	1099	113.10	17	1.35			14	940	96.66	17	1.55			16	861	88.61	18	1.70			18	756	77.76	18	1.95	19	716	73.69	18	2.10	GK79 GKF79 GKA79 GKAF79	4P	22	627	64.49	18	2.40			24	565	58.10	19	2.60			27	495	50.97	19	3.00			31	437	44.98	19	3.40			35	388	39.88	19	3.80																																																																																																																																																																																																																																																																																													
2.6	5070	549	78	2.55			2.9	4405	477	78	3.00			3.3	3869	419	78	3.45			1.4	9512	1030	62	0.85	GK109R79 GKF109R79 GKA109R79 GKAF109R79	4P	4.4	3066	153.21	38	1.35			1.5	8348	904	62	0.95			1.8	7323	793	62	1.10			2.0	6427	696	62	1.25			2.3	5670	614	62	1.40			2.7	4820	522	62	1.65			3.0	4257	461			62	1.90	3.4	3768	408			62	2.10	3.8	3361	364	62	2.40	4.4	2937	318	62	2.70			8.0	1693	174.19	27	1.55	GK99 GKF99 GKA99 GKAF99	6P	8.0	1711	176.05	38	2.40			8.5	1597	164.34	27	1.60			9.5	1432	147.33	27	1.80			11	1234	126.91	27	2.10			12	1126	115.82	27	2.30			14	998	102.71	27	2.60	16	839	86.34	27	3.10	8.3	1637	113.10	13	0.90	GK89 GKF89 GKA89 GKAF89	4P	8.3	1637	113.10	13	0.90			9.7	1399	96.66	15	1.05			11	1283	88.61	16	1.10			12	1126	77.76	17	1.30	10	1310	134.74	16	1.15	GK89 GKF89 GKA89 GKAF89	6P	10	1310	134.74	16	1.15			11	1244	128.00	16	1.20			12	1099	113.10	17	1.35			14	940	96.66	17	1.55			16	861	88.61	18	1.70			18	756	77.76	18	1.95	19	716	73.69	18	2.10	GK79 GKF79 GKA79 GKAF79	4P	22	627	64.49	18	2.40			24	565	58.10	19	2.60			27	495	50.97	19	3.00			31	437	44.98	19	3.40			35	388	39.88	19	3.80																																																																																																																																																																																																																																																																																																				
2.9	4405	477	78	3.00			3.3	3869	419	78	3.45			1.4	9512	1030	62	0.85	GK109R79 GKF109R79 GKA109R79 GKAF109R79	4P	4.4	3066	153.21	38	1.35			1.5	8348	904	62	0.95			1.8	7323	793	62	1.10			2.0	6427	696	62	1.25			2.3	5670	614	62	1.40			2.7	4820	522	62	1.65			3.0	4257	461	62	1.90			3.4	3768	408			62	2.10	3.8	3361	364			62	2.40	4.4	2937	318	62	2.70	8.0	1693	174.19	27	1.55	GK99 GKF99 GKA99 GKAF99	6P	8.0	1711	176.05	38	2.40			8.5	1597	164.34	27	1.60			9.5	1432	147.33	27	1.80			11	1234	126.91	27	2.10			12	1126	115.82	27	2.30			14	998	102.71	27	2.60	16	839	86.34	27	3.10	8.3	1637	113.10	13	0.90	GK89 GKF89 GKA89 GKAF89	4P	8.3	1637	113.10	13	0.90			9.7	1399	96.66	15	1.05			11	1283	88.61	16	1.10			12	1126	77.76	17	1.30	10	1310	134.74	16	1.15	GK89 GKF89 GKA89 GKAF89	6P	10	1310	134.74	16	1.15			11	1244	128.00	16	1.20			12	1099	113.10	17	1.35			14	940	96.66	17	1.55			16	861	88.61	18	1.70			18	756	77.76	18	1.95	19	716	73.69	18	2.10	GK79 GKF79 GKA79 GKAF79	4P	22	627	64.49	18	2.40			24	565	58.10	19	2.60			27	495	50.97	19	3.00			31	437	44.98	19	3.40			35	388	39.88	19	3.80																																																																																																																																																																																																																																																																																																											
3.3	3869	419	78	3.45			1.4	9512	1030	62	0.85	GK109R79 GKF109R79 GKA109R79 GKAF109R79	4P	4.4	3066	153.21	38	1.35			1.5	8348	904	62	0.95			1.8	7323	793	62	1.10			2.0	6427	696	62	1.25			2.3	5670	614	62	1.40			2.7	4820	522	62	1.65			3.0	4257	461	62	1.90			3.4	3768	408	62	2.10			3.8	3361	364			62	2.40	4.4	2937	318	62	2.70	8.0	1693	174.19	27	1.55	GK99 GKF99 GKA99 GKAF99	6P	8.0	1711	176.05	38	2.40			8.5	1597	164.34	27	1.60			9.5	1432	147.33	27	1.80			11	1234	126.91	27	2.10			12	1126	115.82	27	2.30			14	998	102.71	27	2.60	16	839	86.34	27	3.10	8.3	1637	113.10	13	0.90	GK89 GKF89 GKA89 GKAF89	4P	8.3	1637	113.10	13	0.90			9.7	1399	96.66	15	1.05			11	1283	88.61	16	1.10			12	1126	77.76	17	1.30	10	1310	134.74	16	1.15	GK89 GKF89 GKA89 GKAF89	6P	10	1310	134.74	16	1.15			11	1244	128.00	16	1.20			12	1099	113.10	17	1.35			14	940	96.66	17	1.55			16	861	88.61	18	1.70			18	756	77.76	18	1.95	19	716	73.69	18	2.10	GK79 GKF79 GKA79 GKAF79	4P	22	627	64.49	18	2.40			24	565	58.10	19	2.60			27	495	50.97	19	3.00			31	437	44.98	19	3.40			35	388	39.88	19	3.80																																																																																																																																																																																																																																																																																																																		
1.4	9512	1030	62	0.85	GK109R79 GKF109R79 GKA109R79 GKAF109R79	4P	4.4	3066	153.21	38	1.35			1.5	8348	904	62	0.95			1.8	7323	793	62	1.10			2.0	6427	696	62	1.25			2.3	5670	614	62	1.40			2.7	4820	522	62	1.65			3.0	4257	461	62	1.90			3.4	3768	408	62	2.10			3.8	3361	364	62	2.40			4.4	2937	318	62	2.70	8.0	1693	174.19	27	1.55	GK99 GKF99 GKA99 GKAF99	6P	8.0	1711	176.05	38	2.40			8.5	1597	164.34	27	1.60			9.5	1432	147.33	27	1.80			11	1234	126.91	27	2.10			12	1126	115.82	27	2.30			14	998	102.71	27	2.60	16	839	86.34	27	3.10	8.3	1637	113.10	13	0.90	GK89 GKF89 GKA89 GKAF89	4P	8.3	1637	113.10	13	0.90			9.7	1399	96.66	15	1.05			11	1283	88.61	16	1.10			12	1126	77.76	17	1.30	10	1310	134.74	16	1.15	GK89 GKF89 GKA89 GKAF89	6P	10	1310	134.74	16	1.15			11	1244	128.00	16	1.20			12	1099	113.10	17	1.35			14	940	96.66	17	1.55			16	861	88.61	18	1.70			18	756	77.76	18	1.95	19	716	73.69	18	2.10	GK79 GKF79 GKA79 GKAF79	4P	22	627	64.49	18	2.40			24	565	58.10	19	2.60			27	495	50.97	19	3.00			31	437	44.98	19	3.40			35	388	39.88	19	3.80																																																																																																																																																																																																																																																																																																																									
1.5	8348	904	62	0.95			1.8	7323	793	62	1.10			2.0	6427	696	62	1.25			2.3	5670	614	62	1.40			2.7	4820	522	62	1.65			3.0	4257	461	62	1.90			3.4	3768	408	62	2.10			3.8	3361	364	62	2.40			4.4	2937	318	62	2.70			8.0	1693	174.19	27	1.55	GK99 GKF99 GKA99 GKAF99	6P	8.0	1711	176.05	38	2.40	8.5	1597	164.34	27	1.60			9.5	1432	147.33	27	1.80			11	1234	126.91	27	2.10			12	1126	115.82	27	2.30			14	998	102.71	27	2.60			16	839	86.34	27	3.10	8.3	1637	113.10	13	0.90	GK89 GKF89 GKA89 GKAF89	4P	8.3	1637	113.10	13	0.90	9.7	1399	96.66	15	1.05			11	1283	88.61	16	1.10			12	1126	77.76	17	1.30			10	1310	134.74	16	1.15	GK89 GKF89 GKA89 GKAF89	6P	10	1310	134.74	16	1.15	11	1244	128.00	16	1.20			12	1099	113.10	17	1.35			14	940	96.66	17	1.55			16	861	88.61	18	1.70			18	756	77.76	18	1.95			19	716	73.69	18	2.10	GK79 GKF79 GKA79 GKAF79	4P	22	627	64.49	18	2.40	24	565	58.10	19	2.60			27	495	50.97	19	3.00			31	437	44.98	19	3.40			35	388	39.88	19	3.80																																																																																																																																																																																																																																																																																																																																							
1.8	7323	793	62	1.10			2.0	6427	696	62	1.25			2.3	5670	614	62	1.40			2.7	4820	522	62	1.65			3.0	4257	461	62	1.90			3.4	3768	408	62	2.10			3.8	3361	364	62	2.40			4.4	2937	318	62	2.70			8.0	1693	174.19	27	1.55	GK99 GKF99 GKA99 GKAF99	6P	8.0	1711	176.05	38	2.40			8.5	1597	164.34	27	1.60	9.5	1432	147.33	27	1.80			11	1234	126.91	27	2.10			12	1126	115.82	27	2.30			14	998	102.71	27	2.60			16	839	86.34	27	3.10	8.3	1637	113.10	13	0.90	GK89 GKF89 GKA89 GKAF89	4P	8.3	1637	113.10	13	0.90			9.7	1399	96.66	15	1.05	11	1283	88.61	16	1.10			12	1126	77.76	17	1.30			10	1310	134.74	16	1.15	GK89 GKF89 GKA89 GKAF89	6P	10	1310	134.74	16	1.15			11	1244	128.00	16	1.20	12	1099	113.10	17	1.35			14	940	96.66	17	1.55			16	861	88.61	18	1.70			18	756	77.76	18	1.95			19	716	73.69	18	2.10	GK79 GKF79 GKA79 GKAF79	4P	22	627	64.49	18	2.40			24	565	58.10	19	2.60	27	495	50.97	19	3.00			31	437	44.98	19	3.40			35	388	39.88	19	3.80																																																																																																																																																																																																																																																																																																																																														
2.0	6427	696	62	1.25			2.3	5670	614	62	1.40			2.7	4820	522	62	1.65			3.0	4257	461	62	1.90			3.4	3768	408	62	2.10			3.8	3361	364	62	2.40			4.4	2937	318	62	2.70			8.0	1693	174.19	27	1.55	GK99 GKF99 GKA99 GKAF99	6P	8.0	1711	176.05	38	2.40			8.5	1597	164.34	27	1.60			9.5	1432	147.33	27	1.80	11	1234	126.91	27	2.10			12	1126	115.82	27	2.30			14	998	102.71	27	2.60			16	839	86.34	27	3.10	8.3	1637	113.10	13	0.90	GK89 GKF89 GKA89 GKAF89	4P	8.3	1637	113.10	13	0.90			9.7	1399	96.66	15	1.05			11	1283	88.61	16	1.10	12	1126	77.76	17	1.30			10	1310	134.74	16	1.15	GK89 GKF89 GKA89 GKAF89	6P	10	1310	134.74	16	1.15			11	1244	128.00	16	1.20			12	1099	113.10	17	1.35	14	940	96.66	17	1.55			16	861	88.61	18	1.70			18	756	77.76	18	1.95			19	716	73.69	18	2.10	GK79 GKF79 GKA79 GKAF79	4P	22	627	64.49	18	2.40			24	565	58.10	19	2.60			27	495	50.97	19	3.00	31	437	44.98	19	3.40			35	388	39.88	19	3.80																																																																																																																																																																																																																																																																																																																																																					
2.3	5670	614	62	1.40			2.7	4820	522	62	1.65			3.0	4257	461	62	1.90			3.4	3768	408	62	2.10			3.8	3361	364	62	2.40			4.4	2937	318	62	2.70			8.0	1693	174.19	27	1.55	GK99 GKF99 GKA99 GKAF99	6P	8.0	1711	176.05	38	2.40			8.5	1597	164.34	27	1.60			9.5	1432	147.33	27	1.80			11	1234	126.91	27	2.10	12	1126	115.82	27	2.30			14	998	102.71	27	2.60			16	839	86.34	27	3.10	8.3	1637	113.10	13	0.90	GK89 GKF89 GKA89 GKAF89	4P	8.3	1637	113.10	13	0.90			9.7	1399	96.66	15	1.05			11	1283	88.61	16	1.10			12	1126	77.76	17	1.30	10	1310	134.74	16	1.15	GK89 GKF89 GKA89 GKAF89	6P	10	1310	134.74	16	1.15			11	1244	128.00	16	1.20			12	1099	113.10	17	1.35			14	940	96.66	17	1.55	16	861	88.61	18	1.70			18	756	77.76	18	1.95			19	716	73.69	18	2.10	GK79 GKF79 GKA79 GKAF79	4P	22	627	64.49	18	2.40			24	565	58.10	19	2.60			27	495	50.97	19	3.00			31	437	44.98	19	3.40	35	388	39.88	19	3.80																																																																																																																																																																																																																																																																																																																																																												
2.7	4820	522	62	1.65			3.0	4257	461	62	1.90			3.4	3768	408	62	2.10			3.8	3361	364	62	2.40			4.4	2937	318	62	2.70			8.0	1693	174.19	27	1.55	GK99 GKF99 GKA99 GKAF99	6P	8.0	1711	176.05	38	2.40			8.5	1597	164.34	27	1.60			9.5	1432	147.33	27	1.80			11	1234	126.91	27	2.10			12	1126	115.82	27	2.30	14	998	102.71	27	2.60			16	839	86.34	27	3.10	8.3	1637	113.10	13	0.90	GK89 GKF89 GKA89 GKAF89	4P	8.3	1637	113.10	13	0.90			9.7	1399	96.66	15	1.05			11	1283	88.61	16	1.10			12	1126	77.76	17	1.30	10	1310	134.74	16	1.15	GK89 GKF89 GKA89 GKAF89	6P	10	1310	134.74	16	1.15			11	1244	128.00	16	1.20			12	1099	113.10	17	1.35			14	940	96.66	17	1.55			16	861	88.61	18	1.70	18	756	77.76	18	1.95			19	716	73.69	18	2.10	GK79 GKF79 GKA79 GKAF79	4P	22	627	64.49	18	2.40			24	565	58.10	19	2.60			27	495	50.97	19	3.00			31	437	44.98	19	3.40			35	388	39.88	19	3.80																																																																																																																																																																																																																																																																																																																																																																	
3.0	4257	461	62	1.90			3.4	3768	408	62	2.10			3.8	3361	364	62	2.40			4.4	2937	318	62	2.70			8.0	1693	174.19	27	1.55	GK99 GKF99 GKA99 GKAF99	6P	8.0	1711	176.05	38	2.40			8.5	1597	164.34	27	1.60			9.5	1432	147.33	27	1.80			11	1234	126.91	27	2.10			12	1126	115.82	27	2.30			14	998	102.71	27	2.60	16	839	86.34	27	3.10	8.3	1637	113.10	13	0.90	GK89 GKF89 GKA89 GKAF89	4P	8.3	1637	113.10	13	0.90			9.7	1399	96.66	15	1.05			11	1283	88.61	16	1.10			12	1126	77.76	17	1.30	10	1310	134.74	16	1.15	GK89 GKF89 GKA89 GKAF89	6P	10	1310	134.74	16	1.15			11	1244	128.00	16	1.20			12	1099	113.10	17	1.35			14	940	96.66	17	1.55			16	861	88.61	18	1.70			18	756	77.76	18	1.95	19	716	73.69	18	2.10	GK79 GKF79 GKA79 GKAF79	4P	22	627	64.49	18	2.40			24	565	58.10	19	2.60			27	495	50.97	19	3.00			31	437	44.98	19	3.40			35	388	39.88	19	3.80																																																																																																																																																																																																																																																																																																																																																																								
3.4	3768	408	62	2.10			3.8	3361	364	62	2.40			4.4	2937	318	62	2.70			8.0	1693	174.19	27	1.55	GK99 GKF99 GKA99 GKAF99	6P	8.0	1711	176.05	38	2.40			8.5	1597	164.34	27	1.60			9.5	1432	147.33	27	1.80			11	1234	126.91	27	2.10			12	1126	115.82	27	2.30			14	998	102.71	27	2.60	16	839	86.34	27	3.10	8.3	1637	113.10	13	0.90	GK89 GKF89 GKA89 GKAF89	4P	8.3	1637	113.10	13	0.90			9.7	1399	96.66	15	1.05			11	1283	88.61	16	1.10			12	1126	77.76	17	1.30	10	1310	134.74	16	1.15	GK89 GKF89 GKA89 GKAF89	6P	10	1310	134.74	16	1.15			11	1244	128.00	16	1.20			12	1099	113.10	17	1.35			14	940	96.66	17	1.55			16	861	88.61	18	1.70			18	756	77.76	18	1.95	19	716	73.69	18	2.10	GK79 GKF79 GKA79 GKAF79	4P	22	627	64.49	18	2.40			24	565	58.10	19	2.60			27	495	50.97	19	3.00			31	437	44.98	19	3.40			35	388	39.88	19	3.80																																																																																																																																																																																																																																																																																																																																																																															
3.8	3361	364	62	2.40			4.4	2937	318	62	2.70			8.0	1693	174.19	27	1.55	GK99 GKF99 GKA99 GKAF99	6P	8.0	1711	176.05	38	2.40			8.5	1597	164.34	27	1.60			9.5	1432	147.33	27	1.80			11	1234	126.91	27	2.10			12	1126	115.82	27	2.30			14	998	102.71	27	2.60	16	839	86.34	27	3.10	8.3	1637	113.10	13	0.90	GK89 GKF89 GKA89 GKAF89	4P	8.3	1637	113.10	13	0.90			9.7	1399	96.66	15	1.05			11	1283	88.61	16	1.10			12	1126	77.76	17	1.30	10	1310	134.74	16	1.15	GK89 GKF89 GKA89 GKAF89	6P	10	1310	134.74	16	1.15			11	1244	128.00	16	1.20			12	1099	113.10	17	1.35			14	940	96.66	17	1.55			16	861	88.61	18	1.70			18	756	77.76	18	1.95	19	716	73.69	18	2.10	GK79 GKF79 GKA79 GKAF79	4P	22	627	64.49	18	2.40			24	565	58.10	19	2.60			27	495	50.97	19	3.00			31	437	44.98	19	3.40			35	388	39.88	19	3.80																																																																																																																																																																																																																																																																																																																																																																																						
4.4	2937	318	62	2.70			8.0	1693	174.19	27	1.55	GK99 GKF99 GKA99 GKAF99	6P	8.0	1711	176.05	38	2.40			8.5	1597	164.34	27	1.60			9.5	1432	147.33	27	1.80			11	1234	126.91	27	2.10			12	1126	115.82	27	2.30			14	998	102.71	27	2.60	16	839	86.34	27	3.10	8.3	1637	113.10	13	0.90	GK89 GKF89 GKA89 GKAF89	4P	8.3	1637	113.10	13	0.90			9.7	1399	96.66	15	1.05			11	1283	88.61	16	1.10			12	1126	77.76	17	1.30	10	1310	134.74	16	1.15	GK89 GKF89 GKA89 GKAF89	6P	10	1310	134.74	16	1.15			11	1244	128.00	16	1.20			12	1099	113.10	17	1.35			14	940	96.66	17	1.55			16	861	88.61	18	1.70			18	756	77.76	18	1.95	19	716	73.69	18	2.10	GK79 GKF79 GKA79 GKAF79	4P	22	627	64.49	18	2.40			24	565	58.10	19	2.60			27	495	50.97	19	3.00			31	437	44.98	19	3.40			35	388	39.88	19	3.80																																																																																																																																																																																																																																																																																																																																																																																													
8.0	1693	174.19	27	1.55	GK99 GKF99 GKA99 GKAF99	6P	8.0	1711	176.05	38	2.40			8.5	1597	164.34	27	1.60			9.5	1432	147.33	27	1.80			11	1234	126.91	27	2.10			12	1126	115.82	27	2.30			14	998	102.71	27	2.60	16	839	86.34	27	3.10	8.3	1637	113.10	13	0.90	GK89 GKF89 GKA89 GKAF89	4P	8.3	1637	113.10	13	0.90			9.7	1399	96.66	15	1.05			11	1283	88.61	16	1.10			12	1126	77.76	17	1.30	10	1310	134.74	16	1.15	GK89 GKF89 GKA89 GKAF89	6P	10	1310	134.74	16	1.15			11	1244	128.00	16	1.20			12	1099	113.10	17	1.35			14	940	96.66	17	1.55			16	861	88.61	18	1.70			18	756	77.76	18	1.95	19	716	73.69	18	2.10	GK79 GKF79 GKA79 GKAF79	4P	22	627	64.49	18	2.40			24	565	58.10	19	2.60			27	495	50.97	19	3.00			31	437	44.98	19	3.40			35	388	39.88	19	3.80																																																																																																																																																																																																																																																																																																																																																																																																				
8.5	1597	164.34	27	1.60			9.5	1432	147.33	27	1.80			11	1234	126.91	27	2.10			12	1126	115.82	27	2.30			14	998	102.71	27	2.60			16	839	86.34	27	3.10	8.3	1637	113.10	13	0.90	GK89 GKF89 GKA89 GKAF89	4P	8.3	1637	113.10	13	0.90	9.7	1399	96.66	15	1.05			11	1283	88.61	16	1.10			12	1126	77.76	17	1.30			10	1310	134.74	16	1.15	GK89 GKF89 GKA89 GKAF89	6P	10	1310	134.74	16	1.15	11	1244	128.00	16	1.20			12	1099	113.10	17	1.35			14	940	96.66	17	1.55			16	861	88.61	18	1.70			18	756	77.76	18	1.95			19	716	73.69	18	2.10	GK79 GKF79 GKA79 GKAF79	4P	22	627	64.49	18	2.40	24	565	58.10	19	2.60			27	495	50.97	19	3.00			31	437	44.98	19	3.40			35	388	39.88	19	3.80																																																																																																																																																																																																																																																																																																																																																																																																																		
9.5	1432	147.33	27	1.80			11	1234	126.91	27	2.10			12	1126	115.82	27	2.30			14	998	102.71	27	2.60			16	839	86.34	27	3.10	8.3	1637	113.10	13	0.90	GK89 GKF89 GKA89 GKAF89	4P	8.3	1637	113.10	13	0.90			9.7	1399	96.66	15	1.05	11	1283	88.61	16	1.10			12	1126	77.76	17	1.30			10	1310	134.74	16	1.15	GK89 GKF89 GKA89 GKAF89	6P	10	1310	134.74	16	1.15			11	1244	128.00	16	1.20	12	1099	113.10	17	1.35			14	940	96.66	17	1.55			16	861	88.61	18	1.70			18	756	77.76	18	1.95			19	716	73.69	18	2.10	GK79 GKF79 GKA79 GKAF79	4P	22	627	64.49	18	2.40			24	565	58.10	19	2.60	27	495	50.97	19	3.00			31	437	44.98	19	3.40			35	388	39.88	19	3.80																																																																																																																																																																																																																																																																																																																																																																																																																									
11	1234	126.91	27	2.10			12	1126	115.82	27	2.30			14	998	102.71	27	2.60			16	839	86.34	27	3.10	8.3	1637	113.10	13	0.90	GK89 GKF89 GKA89 GKAF89	4P	8.3	1637	113.10	13	0.90			9.7	1399	96.66	15	1.05			11	1283	88.61	16	1.10	12	1126	77.76	17	1.30			10	1310	134.74	16	1.15	GK89 GKF89 GKA89 GKAF89	6P	10	1310	134.74	16	1.15			11	1244	128.00	16	1.20			12	1099	113.10	17	1.35	14	940	96.66	17	1.55			16	861	88.61	18	1.70			18	756	77.76	18	1.95			19	716	73.69	18	2.10	GK79 GKF79 GKA79 GKAF79	4P	22	627	64.49	18	2.40			24	565	58.10	19	2.60			27	495	50.97	19	3.00	31	437	44.98	19	3.40			35	388	39.88	19	3.80																																																																																																																																																																																																																																																																																																																																																																																																																																
12	1126	115.82	27	2.30			14	998	102.71	27	2.60			16	839	86.34	27	3.10	8.3	1637	113.10	13	0.90	GK89 GKF89 GKA89 GKAF89	4P	8.3	1637	113.10	13	0.90			9.7	1399	96.66	15	1.05			11	1283	88.61	16	1.10			12	1126	77.76	17	1.30	10	1310	134.74	16	1.15	GK89 GKF89 GKA89 GKAF89	6P	10	1310	134.74	16	1.15			11	1244	128.00	16	1.20			12	1099	113.10	17	1.35			14	940	96.66	17	1.55	16	861	88.61	18	1.70			18	756	77.76	18	1.95			19	716	73.69	18	2.10	GK79 GKF79 GKA79 GKAF79	4P	22	627	64.49	18	2.40			24	565	58.10	19	2.60			27	495	50.97	19	3.00			31	437	44.98	19	3.40	35	388	39.88	19	3.80																																																																																																																																																																																																																																																																																																																																																																																																																																							
14	998	102.71	27	2.60			16	839	86.34	27	3.10	8.3	1637	113.10	13	0.90	GK89 GKF89 GKA89 GKAF89	4P	8.3	1637	113.10	13	0.90			9.7	1399	96.66	15	1.05			11	1283	88.61	16	1.10			12	1126	77.76	17	1.30	10	1310	134.74	16	1.15	GK89 GKF89 GKA89 GKAF89	6P	10	1310	134.74	16	1.15			11	1244	128.00	16	1.20			12	1099	113.10	17	1.35			14	940	96.66	17	1.55			16	861	88.61	18	1.70	18	756	77.76	18	1.95			19	716	73.69	18	2.10	GK79 GKF79 GKA79 GKAF79	4P	22	627	64.49	18	2.40			24	565	58.10	19	2.60			27	495	50.97	19	3.00			31	437	44.98	19	3.40			35	388	39.88	19	3.80																																																																																																																																																																																																																																																																																																																																																																																																																																												
16	839	86.34	27	3.10	8.3	1637	113.10	13	0.90	GK89 GKF89 GKA89 GKAF89	4P	8.3	1637	113.10	13	0.90			9.7	1399	96.66	15	1.05			11	1283	88.61	16	1.10			12	1126	77.76	17	1.30	10	1310	134.74	16	1.15	GK89 GKF89 GKA89 GKAF89	6P	10	1310	134.74	16	1.15			11	1244	128.00	16	1.20			12	1099	113.10	17	1.35			14	940	96.66	17	1.55			16	861	88.61	18	1.70			18	756	77.76	18	1.95	19	716	73.69	18	2.10	GK79 GKF79 GKA79 GKAF79	4P	22	627	64.49	18	2.40			24	565	58.10	19	2.60			27	495	50.97	19	3.00			31	437	44.98	19	3.40			35	388	39.88	19	3.80																																																																																																																																																																																																																																																																																																																																																																																																																																																			
8.3	1637	113.10	13	0.90	GK89 GKF89 GKA89 GKAF89	4P	8.3	1637	113.10			13	0.90	9.7	1399	96.66			15	1.05	11	1283	88.61			16	1.10	12	1126	77.76	17	1.30	10	1310	134.74	16	1.15	GK89 GKF89 GKA89 GKAF89	6P	10	1310	134.74			16	1.15	11	1244	128.00			16	1.20	12	1099	113.10			17	1.35	14	940	96.66			17	1.55	16	861	88.61			18	1.70	18	756	77.76	18	1.95	19	716	73.69	18	2.10	GK79 GKF79 GKA79 GKAF79	4P	22	627	64.49			18	2.40	24	565	58.10			19	2.60	27	495	50.97			19	3.00	31	437	44.98			19	3.40	35	388	39.88			19	3.80																																																																																																																																																																																																																																																																																																																																																																																																																																																						
9.7	1399	96.66	15	1.05			11	1283	88.61			16	1.10	12	1126	77.76			17	1.30	10	1310	134.74	16	1.15	GK89 GKF89 GKA89 GKAF89	6P	10	1310	134.74	16	1.15	11	1244	128.00	16	1.20			12	1099	113.10			17	1.35	14	940	96.66			17	1.55	16	861	88.61			18	1.70	18	756	77.76			18	1.95	19	716	73.69	18	2.10	GK79 GKF79 GKA79 GKAF79	4P	22	627	64.49	18	2.40	24	565	58.10	19	2.60			27	495	50.97			19	3.00	31	437	44.98			19	3.40	35	388	39.88			19	3.80																																																																																																																																																																																																																																																																																																																																																																																																																																																																				
11	1283	88.61	16	1.10			12	1126	77.76			17	1.30	10	1310	134.74	16	1.15	GK89 GKF89 GKA89 GKAF89	6P	10	1310	134.74	16	1.15			11	1244	128.00	16	1.20	12	1099	113.10	17	1.35			14	940	96.66			17	1.55	16	861	88.61			18	1.70	18	756	77.76			18	1.95	19	716	73.69	18	2.10	GK79 GKF79 GKA79 GKAF79	4P	22	627	64.49	18	2.40			24	565	58.10	19	2.60	27	495	50.97	19	3.00			31	437	44.98			19	3.40	35	388	39.88			19	3.80																																																																																																																																																																																																																																																																																																																																																																																																																																																																											
12	1126	77.76	17	1.30			10	1310	134.74	16	1.15	GK89 GKF89 GKA89 GKAF89	6P	10	1310	134.74	16	1.15			11	1244	128.00	16	1.20			12	1099	113.10	17	1.35	14	940	96.66	17	1.55			16	861	88.61			18	1.70	18	756	77.76			18	1.95	19	716	73.69	18	2.10	GK79 GKF79 GKA79 GKAF79	4P	22	627	64.49	18	2.40			24	565	58.10	19	2.60			27	495	50.97	19	3.00	31	437	44.98	19	3.40			35	388	39.88			19	3.80																																																																																																																																																																																																																																																																																																																																																																																																																																																																																		
10	1310	134.74	16	1.15	GK89 GKF89 GKA89 GKAF89	6P	10	1310	134.74	16	1.15			11	1244	128.00	16	1.20			12	1099	113.10	17	1.35			14	940	96.66	17	1.55	16	861	88.61	18	1.70			18	756	77.76			18	1.95	19	716	73.69	18	2.10	GK79 GKF79 GKA79 GKAF79	4P	22	627	64.49	18	2.40			24	565	58.10	19	2.60			27	495	50.97	19	3.00			31	437	44.98	19	3.40	35	388	39.88	19	3.80																																																																																																																																																																																																																																																																																																																																																																																																																																																																																											
11	1244	128.00	16	1.20			12	1099	113.10	17	1.35			14	940	96.66	17	1.55			16	861	88.61	18	1.70			18	756	77.76	18	1.95	19	716	73.69	18	2.10			GK79 GKF79 GKA79 GKAF79	4P	22	627	64.49	18	2.40	24	565	58.10	19	2.60			27	495	50.97	19	3.00			31	437	44.98	19	3.40			35	388	39.88	19	3.80																																																																																																																																																																																																																																																																																																																																																																																																																																																																																																							
12	1099	113.10	17	1.35			14	940	96.66	17	1.55			16	861	88.61	18	1.70			18	756	77.76	18	1.95			19	716	73.69	18	2.10	GK79 GKF79 GKA79 GKAF79	4P	22	627	64.49	18	2.40			24	565	58.10	19	2.60	27	495	50.97	19	3.00			31	437	44.98	19	3.40			35	388	39.88	19	3.80																																																																																																																																																																																																																																																																																																																																																																																																																																																																																																														
14	940	96.66	17	1.55			16	861	88.61	18	1.70			18	756	77.76	18	1.95			19	716	73.69	18	2.10	GK79 GKF79 GKA79 GKAF79	4P	22	627	64.49	18	2.40			24	565	58.10	19	2.60			27	495	50.97	19	3.00	31	437	44.98	19	3.40			35	388	39.88	19	3.80																																																																																																																																																																																																																																																																																																																																																																																																																																																																																																																					
16	861	88.61	18	1.70			18	756	77.76	18	1.95			19	716	73.69	18	2.10	GK79 GKF79 GKA79 GKAF79	4P	22	627	64.49	18	2.40			24	565	58.10	19	2.60			27	495	50.97	19	3.00			31	437	44.98	19	3.40	35	388	39.88	19	3.80																																																																																																																																																																																																																																																																																																																																																																																																																																																																																																																												
18	756	77.76	18	1.95			19	716	73.69	18	2.10	GK79 GKF79 GKA79 GKAF79	4P	22	627	64.49	18	2.40			24	565	58.10	19	2.60			27	495	50.97	19	3.00			31	437	44.98	19	3.40			35	388	39.88	19	3.80																																																																																																																																																																																																																																																																																																																																																																																																																																																																																																																																	
19	716	73.69	18	2.10	GK79 GKF79 GKA79 GKAF79	4P	22	627	64.49	18	2.40			24	565	58.10	19	2.60			27	495	50.97	19	3.00			31	437	44.98	19	3.40			35	388	39.88	19	3.80																																																																																																																																																																																																																																																																																																																																																																																																																																																																																																																																								
22	627	64.49	18	2.40			24	565	58.10	19	2.60			27	495	50.97	19	3.00			31	437	44.98	19	3.40			35	388	39.88	19	3.80																																																																																																																																																																																																																																																																																																																																																																																																																																																																																																																																															
24	565	58.10	19	2.60			27	495	50.97	19	3.00			31	437	44.98	19	3.40			35	388	39.88	19	3.80																																																																																																																																																																																																																																																																																																																																																																																																																																																																																																																																																						
27	495	50.97	19	3.00			31	437	44.98	19	3.40			35	388	39.88	19	3.80																																																																																																																																																																																																																																																																																																																																																																																																																																																																																																																																																													
31	437	44.98	19	3.40			35	388	39.88	19	3.80																																																																																																																																																																																																																																																																																																																																																																																																																																																																																																																																																																				
35	388	39.88	19	3.80																																																																																																																																																																																																																																																																																																																																																																																																																																																																																																																																																																											

选型参数表
(恒功率)
Selection Table
(Constant Power)

n_a [r/min]	M_a [N.m]	i	F_{Ra} [kN]	f_B	机型号 Type size	极数 Pole	n_a [r/min]	M_a [N.m]	i	F_{Ra} [kN]	f_B	机型号 Type size	极数 Pole
1.5kW							2.2kW						
16	875	90.04	8.9	0.90			0.66	28933	2182	135	1.10		
18	742	76.37	10	1.05	GK69		0.84	22595	1704	135	1.40		
20	670	68.95	11	1.15	GKF69	4P	1.02	18670	1408	135	1.70	GK169R99	4P
23	590	60.66	11	1.35	GKA69		1.10	17185	1296	135	1.85	GKA169R99	
24	557	57.28	11	1.40	GKAF69		1.30	14599	1101	135	2.20		
29	474	48.77	12	1.65			1.51	12517	944	135	2.50		
32	431	44.32	12	1.80			0.86	21998	1659	104	0.80		
36	373	38.39	12	2.00	GK69		1.0	18100	1365	106	1.00	GK159R99	
39	346	35.61	12	2.30	GKF69	4P	1.2	16296	1229	107	1.10	GKF159R99	4P
46	294	30.21	12	2.70	GKA69		1.3	14493	1093	108	1.20	GKA159R99	
51	265	27.27	12	3.00	GKAF69		1.5	12491	942	109	1.40	GKAF159R99	
58	233	23.99	12	3.30			1.7	11311	853	109	1.55		
23	591	60.81	7.1	0.95	GK59		1.9	10024	756	110	1.80		
24	558	57.42	7.4	1.05	GKF59	4P	2.7	7147	539	78	1.80	GK129R89	
29	475	48.89	8.0	1.20	GKA59		3.0	6312	476	78	2.05	GKF129R89	
32	432	44.43	8.2	1.35	GKAF59		3.4	5569	420	78	2.30	GKA129R89	4P
36	374	38.49	8.5	1.55			3.9	4880	368	78	2.65	GKAF129R89	
39	347	35.70	8.6	1.65	GK59		4.3	4389	331	78	2.95		
46	294	30.28	8.7	1.95	GKF59	4P	1.4	13591	1025	74	0.95		
51	266	27.34	8.6	2.20	GKA59		1.6	11921	899	76	1.10		
58	234	24.05	8.3	2.50	GKAF59		1.8	10475	790	76	1.25	GK129R79	
62	221	22.71	8.2	2.60			2.0	9335	704	77	1.40	GKF129R79	4P
72	188	19.34	7.9	2.90			2.3	8088	610	77	1.60	GKA129R79	
35	385	39.61	5.6	1.00	GK49		2.6	7280	549	78	1.80	GKAF129R79	
40	344	35.39	6.0	1.10	GKF49	4P	3.0	6325	477	78	2.05		
45	304	31.30	6.0	1.25	GKA49		3.4	5556	419	78	2.35		
					GKAF49		2.3	8142	614	62	1.00		
48	285	29.32	6.0	1.35			2.7	6922	522	62	1.15		
54	252	25.91	5.9	1.50			3.1	6113	461	62	1.30	GK109R79	
64	212	21.81	5.7	1.80	GK49		3.5	5410	408	62	1.45	GKF109R79	4P
72	190	19.58	5.7	2.00	GKF49		3.9	4827	364	62	1.65	GKA109R79	
83	164	16.86	5.5	2.20	GKA49	4P	4.5	4217	318	62	1.90	GKAF109R79	
88	154	15.86	5.4	2.40	GKAF49		5.0	3792	286	62	2.10		
103	133	13.65	5.3	2.60			5.7	3328	251	62	2.40		
115	118	12.19	5.2	2.80			3.7	5065	382	38	0.85		
119	114	11.77	5.1	2.30			4.2	4535	342	38	0.95	GK99R59	
60	227	23.36	2.7	0.80			4.7	4044	305	38	1.05	GKF99R59	4P
69	196	20.19	2.8	0.90			5.5	3421	258	38	1.25	GKA99R59	
82	167	17.15	2.8	1.05			6.2	3076	232	38	1.40	GKAF99R59	
91	149	15.32	2.8	1.10			7.2	2639	199	38	1.60		
107	127	13.08	2.8	1.25	GK39		4.9	4033	143.47	62	1.85	GK109	
115	118	12.14	2.8	1.30	GKF39	4P	5.8	3414	121.46	62	2.20	GKF109	8P
133	102	10.49	2.7	1.50	GKA39		6.3	3160	112.41	62	2.40	GKA109	
157	87	8.91	2.7	1.75	GKAF39		7.0	2832	100.75	62	2.70	GKAF109	
176	77	7.96	2.6	1.90			6.1	3253	153.21	38	1.25	GK99	
206	66	6.80	2.6	2.20			6.7	2979	140.28	38	1.35	GKF99	
220	62	6.37	2.5	2.20			7.6	2631	123.93	38	1.55	GKA99	6P
261	52	5.36	2.5	2.60			8.9	2232	105.13	38	1.85	GKAF99	
2.2kW							8.1	2457	176.05	38	1.65	GK99	
0.33	57945	4370	158	0.85	GK189R99	4P	9.3	2138	153.21	38	1.90	GKF99	4P
0.51	37366	2818	171	1.35	GKA189R99		10	1958	140.28	38	2.10	GKA99	
0.40	47855	3609	171	1.00			12	1730	123.93	38	2.30	GKAF99	
0.47	40602	3062	171	1.20			14	1467	105.13	38	2.80	GK99	
0.57	33401	2519	171	1.50	GK189R99	4P	15	1351	96.80	38	3.00	GKF99	4P
0.63	30073	2268	171	1.65	GKA189R99						GKA99		
0.70	27236	2054	171	1.80	GKAF99						GKAF99		
0.79	24146	1821	171	2.10			9.7	2056	147.33	27	1.25	GK89	
0.89	21282	1605	171	2.30			11	1771	126.91	27	1.45	GKF89	4P
0.52	36531	2755	135	0.85	GK169R99	4P	12	1617	115.82	27	1.55	GKA89	
0.63	30020	2264	135	1.05	GKA169R99						GKAF89		

**选型参数表
(恒功率)**
**Selection Table
(Constant Power)**

n_a [r/min]	M_a [N.m]	i	F_{Ra} [kN]	f_B	机型号 Type size	极数 Pole	n_a [r/min]	M_a [N.m]	i	F_{Ra} [kN]	f_B	机型号 Type size	极数 Pole																																																																																																																																																																																																																																																																																																																																																																																																																																																																																																																																																																																																																																																																																																																																																																																																																																																																																			
2.2kW							2.2kW																																																																																																																																																																																																																																																																																																																																																																																																																																																																																																																																																																																																																																																																																																																																																																																																																																																																																									
14	1434	102.71	27	1.75	GK89 GKF89 GKA89 GKAF89	4P	85	235	16.86	4.9	1.50	GK49 GKF49 GKA49 GKAF49	4P																																																																																																																																																																																																																																																																																																																																																																																																																																																																																																																																																																																																																																																																																																																																																																																																																																																																																			
17	1205	86.34	27	2.10			18	1107	79.34	27	2.30			20	983	70.46	27	2.60	23	879	63.00	27	2.90	13	1579	113.10	14	0.90	GK79 GKF79 GKA79 GKAF79	4P	109	183	13.08	2.3	0.85	GK39 GKF39 GKA39 GKAF39	4P	15	1349	96.66	15	1.05	16	1237	88.61	16	1.15	18	1085	77.76	17	1.35	19	1029	73.69	17	1.40	22	900	64.49	17	1.60	25	811	58.10	18	1.80	GK79 GKF79 GKA79 GKAF79	4P	136	146	10.49	2.3	1.00	GK39 GKF39 GKA39 GKAF39	4P	28	711	50.97	18	2.00	32	628	44.98	18	2.30	36	557	39.88	19	2.60	41	489	35.05	19	3.00	46	429	30.76	19	3.40	49	407	29.15	19	3.60	56	356	25.51	19	4.10	24	847	60.66	9.0	0.90	GK69 GKF69 GKA69 GKAF69	4P	267	75	5.36	2.2	1.75	GK39 GKF39 GKA39 GKAF39	4P	25	799	57.28	10	0.95	29	681	48.77	11	1.15	32	619	44.32	11	1.25	37	536	38.39	11	1.40	40	497	35.61	12	1.55	47	422	30.21	12	1.80	52	381	27.27	12	2.00	GK69 GKF69 GKA69 GKAF69	4P	3kW							60	335	23.99	12	2.20	63	316	22.66	12	2.30	74	269	19.29	12	2.60	82	245	17.53	12	2.80	94	212	15.19	12	3.10	108	185	13.22	12	3.40	115	174	12.48	12	2.80	135	148	10.63	12	3.20	148	135	9.66	12	3.30	171	117	8.37	12	3.50	196	102	7.28	12	3.90	32	620	44.43	4.8	0.90	GK59 GKF59 GKA59 GKAF59	4P	0.47	55366	3062	160	0.90	GK189R99 GKA189R99	4P	37	537	38.49	7.5	1.05	40	498	35.70	7.8	1.15	47	423	30.28	7.8	1.35	52	382	27.34	7.8	1.45	59	336	24.05	7.6	1.65	63	317	22.71	7.6	1.75	74	270	19.34	7.4	2.00	81	245	17.57	7.2	2.10	94	212	15.22	7.1	2.40	108	185	13.25	6.9	2.60	120	166	11.92	6.5	2.30	127	157	11.26	6.5	2.50	55	362	25.91	5.0	1.05	GK49 GKF49 GKA49 GKAF49	4P	0.51	50954	2818	170	0.95	GK169R99 GKA169R99	4P	66	304	21.81	5.0	1.25	73	273	19.58	5.0	1.35								0.57	45547	2519	171	1.05	GK159R99 GKF159R99 GKA159R99 GKAF159R99	4P								0.63	41009	2268	171	1.20								0.70	37140	2054	171	1.30								0.79	32927	1821	171	1.50	GK129R89 GKF129R89 GKA129R89 GKAF129R89	4P								0.9	29021	1605	171	1.70								1.0	25224	1395	171	1.95								1.2	21626	1196	171	2.30								0.84	30811	1704	135	1.00	GK129R79 GKF129R79 GKA129R79 GKAF129R79	4P								1.0	25459	1408	135	1.20								1.1	23434	1296	135	1.35								1.3	19908	1101	135	1.55	GK109R79 GKF109R79 GKA109R79 GKAF109R79	4P								1.5	17069	944	135	1.85								1.7	15261	844	135	2.10								1.9	13688	757	135	2.30								1.2	22222	1229	104	0.80	GK109R79 GKF109R79 GKA109R79 GKAF109R79	4P								1.3	19763	1093	105	0.90								1.5	17033	942	107	1.05								1.7	15424	853	108	1.15								1.9	13670	756	108	1.30								2.5	10252	567	109	1.75								2.8	9113	504	110	1.95								2.7	9746	539	77	1.30								3.0	8607	476	77	1.50								3.4	7594	420	77	1.70								3.9	6654	368	78	1.95								4.3	5985	331	78	2.15								5.0	5189	287	78	2.45								1.8	14284	790	73	0.90								2.0	12729	704	75	1.00								2.3	11030	610	76	1.20								2.6	9927	549	77	1.30								3.0	8625	477	77	1.50								3.4	7576	419	77	1.75								3.1	8336	461	62	0.95								3.5	7377	408	62	1.05								3.9	6582	364	62	1.20								4.5	5750	318	62	1.40								5.0	5171	286	62	1.55								5.7	4538	251	62	1.75								6.4	4014	222	62	2.00								7.3	3544	196	62	2.25																																								
18	1107	79.34	27	2.30			20	983	70.46	27	2.60			23	879	63.00	27	2.90	13	1579	113.10	14	0.90	GK79 GKF79 GKA79 GKAF79	4P	109	183	13.08			2.3	0.85	GK39 GKF39 GKA39 GKAF39	4P	15			1349	96.66	15	1.05	16	1237	88.61	16	1.15	18	1085	77.76	17	1.35	19	1029	73.69	17	1.40	22	900	64.49	17	1.60	25	811	58.10	18	1.80	GK79 GKF79 GKA79 GKAF79			4P	136	146	10.49	2.3			1.00	GK39 GKF39 GKA39 GKAF39	4P	28	711	50.97	18	2.00	32	628	44.98	18	2.30	36	557	39.88	19	2.60	41	489	35.05	19	3.00	46	429	30.76	19	3.40	49	407	29.15	19	3.60	56	356	25.51	19	4.10	24	847			60.66	9.0	0.90	GK69 GKF69 GKA69 GKAF69	4P			267	75	5.36	2.2	1.75	GK39 GKF39 GKA39 GKAF39	4P	25	799	57.28	10	0.95	29	681	48.77	11	1.15	32	619	44.32	11	1.25	37	536	38.39	11	1.40	40	497	35.61	12	1.55	47	422	30.21			12	1.80	52	381	27.27	12	2.00	GK69 GKF69 GKA69 GKAF69	4P	3kW							60	335	23.99	12	2.20	63	316	22.66	12	2.30	74	269	19.29	12	2.60	82	245	17.53	12	2.80	94	212	15.19	12	3.10	108	185	13.22	12	3.40	115	174	12.48	12	2.80	135	148	10.63	12	3.20	148	135	9.66	12	3.30	171	117	8.37	12	3.50	196			102	7.28	12	3.90	32			620	44.43	4.8	0.90	GK59 GKF59 GKA59 GKAF59	4P	0.47	55366	3062	160	0.90	GK189R99 GKA189R99	4P	37	537	38.49	7.5	1.05	40	498	35.70	7.8	1.15	47	423	30.28	7.8	1.35	52	382	27.34	7.8	1.45	59	336	24.05	7.6	1.65	63	317	22.71	7.6	1.75	74	270	19.34	7.4	2.00	81	245	17.57	7.2	2.10	94	212	15.22	7.1	2.40	108	185	13.25	6.9	2.60	120	166			11.92	6.5	2.30	127	157			11.26	6.5	2.50	55	362	25.91	5.0	1.05	GK49 GKF49 GKA49 GKAF49	4P	0.51	50954	2818	170	0.95	GK169R99 GKA169R99	4P	66	304	21.81	5.0	1.25			73	273	19.58	5.0	1.35								0.57	45547	2519	171	1.05	GK159R99 GKF159R99 GKA159R99 GKAF159R99	4P								0.63	41009	2268	171	1.20								0.70	37140	2054	171	1.30								0.79	32927	1821	171	1.50	GK129R89 GKF129R89 GKA129R89 GKAF129R89	4P								0.9	29021	1605	171	1.70								1.0	25224	1395	171	1.95								1.2	21626	1196	171	2.30								0.84	30811	1704	135	1.00	GK129R79 GKF129R79 GKA129R79 GKAF129R79	4P								1.0	25459	1408	135	1.20								1.1	23434	1296	135	1.35								1.3	19908	1101	135	1.55	GK109R79 GKF109R79 GKA109R79 GKAF109R79	4P								1.5	17069	944	135	1.85								1.7	15261	844	135	2.10								1.9	13688	757	135	2.30								1.2	22222	1229	104	0.80	GK109R79 GKF109R79 GKA109R79 GKAF109R79	4P								1.3	19763	1093	105	0.90								1.5	17033	942	107	1.05								1.7	15424	853	108	1.15								1.9	13670	756	108	1.30								2.5	10252	567	109	1.75								2.8	9113	504	110	1.95								2.7	9746	539	77	1.30								3.0	8607	476	77	1.50								3.4	7594	420	77	1.70								3.9	6654	368	78	1.95								4.3	5985	331	78	2.15								5.0	5189	287	78	2.45								1.8	14284	790	73	0.90								2.0	12729	704	75	1.00								2.3	11030	610	76	1.20								2.6	9927	549	77	1.30								3.0	8625	477	77	1.50								3.4	7576	419	77	1.75								3.1	8336	461	62	0.95								3.5	7377	408	62	1.05								3.9	6582	364	62	1.20								4.5	5750	318	62	1.40								5.0	5171	286	62	1.55								5.7	4538	251	62	1.75								6.4	4014	222	62	2.00								7.3	3544	196	62	2.25																					
20	983	70.46	27	2.60			23	879	63.00	27	2.90			13	1579	113.10	14	0.90	GK79 GKF79 GKA79 GKAF79	4P	109	183	13.08			2.3	0.85	GK39 GKF39 GKA39 GKAF39			4P	15			1349			96.66	15	1.05	16	1237	88.61	16	1.15	18	1085	77.76	17	1.35	19	1029	73.69	17	1.40	22	900	64.49	17	1.60	25	811	58.10	18	1.80	GK79 GKF79 GKA79 GKAF79					4P	136	146	10.49			2.3			1.00	GK39 GKF39 GKA39 GKAF39	4P	28	711	50.97	18	2.00	32	628	44.98	18	2.30	36	557	39.88	19	2.60	41	489	35.05	19	3.00	46	429	30.76	19	3.40	49	407	29.15	19	3.60	56	356	25.51	19			4.10	24	847					60.66	9.0	0.90	GK69 GKF69 GKA69 GKAF69	4P			267	75	5.36	2.2	1.75	GK39 GKF39 GKA39 GKAF39	4P	25	799	57.28	10	0.95	29	681	48.77	11	1.15	32	619	44.32	11	1.25	37	536	38.39	11	1.40	40			497	35.61	12	1.55	47	422	30.21			12	1.80	52	381	27.27	12	2.00	GK69 GKF69 GKA69 GKAF69	4P	3kW							60	335	23.99	12	2.20	63	316	22.66	12	2.30	74	269	19.29	12	2.60	82	245	17.53	12	2.80	94	212	15.19	12	3.10	108	185	13.22	12	3.40	115	174	12.48	12	2.80	135	148	10.63	12	3.20	148	135			9.66	12	3.30	171	117			8.37	12	3.50	196			102	7.28	12	3.90	32			620	44.43	4.8	0.90	GK59 GKF59 GKA59 GKAF59	4P	0.47	55366	3062	160	0.90	GK189R99 GKA189R99	4P	37	537	38.49	7.5	1.05	40	498	35.70	7.8	1.15	47	423	30.28	7.8	1.35	52	382	27.34	7.8	1.45	59	336	24.05	7.6	1.65	63	317	22.71	7.6	1.75	74	270	19.34	7.4	2.00	81	245	17.57	7.2			2.10	94	212	15.22	7.1			2.40	108	185	13.25	6.9	2.60	120	166			11.92	6.5	2.30	127	157			11.26	6.5	2.50	55	362			25.91	5.0	1.05	GK49 GKF49 GKA49 GKAF49	4P	0.51	50954	2818	170	0.95	GK169R99 GKA169R99	4P	66	304	21.81	5.0	1.25			73	273	19.58	5.0	1.35								0.57	45547	2519	171	1.05			GK159R99 GKF159R99 GKA159R99 GKAF159R99	4P								0.63	41009	2268	171	1.20								0.70	37140	2054	171	1.30								0.79	32927	1821	171	1.50	GK129R89 GKF129R89 GKA129R89 GKAF129R89	4P								0.9			29021	1605	171	1.70								1.0	25224	1395	171	1.95								1.2	21626	1196	171	2.30								0.84			30811	1704	135	1.00	GK129R79 GKF129R79 GKA129R79 GKAF129R79	4P								1.0	25459	1408	135			1.20								1.1	23434	1296	135	1.35								1.3	19908	1101	135	1.55	GK109R79 GKF109R79 GKA109R79 GKAF109R79	4P								1.5	17069	944	135	1.85								1.7	15261			844	135	2.10								1.9	13688	757	135	2.30								1.2	22222	1229	104	0.80	GK109R79 GKF109R79 GKA109R79 GKAF109R79	4P								1.3	19763	1093	105	0.90								1.5	17033	942	107	1.05								1.7	15424	853	108	1.15								1.9	13670	756	108	1.30								2.5	10252	567	109	1.75								2.8	9113	504	110	1.95								2.7	9746	539	77	1.30								3.0	8607	476	77	1.50								3.4	7594	420	77	1.70								3.9	6654	368	78	1.95								4.3	5985	331	78	2.15								5.0	5189	287	78	2.45								1.8	14284	790	73	0.90								2.0	12729	704	75	1.00								2.3	11030	610	76	1.20								2.6	9927	549	77	1.30								3.0	8625	477	77	1.50								3.4	7576	419	77	1.75								3.1	8336	461	62	0.95								3.5	7377	408	62	1.05								3.9	6582	364	62	1.20								4.5	5750	318	62	1.40								5.0	5171	286	62	1.55								5.7	4538	251	62	1.75								6.4	4014	222	62	2.00				
23	879	63.00	27	2.90																																																																																																																																																																																																																																																																																																																																																																																																																																																																																																																																																																																																																																																																																																																																																																																																																																																																																												
13	1579	113.10	14	0.90	GK79 GKF79 GKA79 GKAF79	4P	109	183	13.08	2.3	0.85	GK39 GKF39 GKA39 GKAF39	4P																																																																																																																																																																																																																																																																																																																																																																																																																																																																																																																																																																																																																																																																																																																																																																																																																																																																																			
15	1349	96.66	15	1.05			16	1237	88.61	16	1.15			18	1085	77.76	17	1.35			19	1029	73.69			17	1.40		22	900		64.49			17	1.60	25	811	58.10	18	1.80	GK79 GKF79 GKA79 GKAF79	4P	136	146	10.49	2.3	1.00	GK39 GKF39 GKA39 GKAF39	4P	28	711	50.97	18	2.00	32	628	44.98	18	2.30	36	557	39.88	19	2.60			41	489			35.05	19	3.00	46	429	30.76			19			3.40	49	407	29.15	19	3.60	56	356	25.51	19	4.10	24	847	60.66	9.0	0.90	GK69 GKF69 GKA69 GKAF69	4P	267	75	5.36	2.2	1.75	GK39 GKF39 GKA39 GKAF39	4P	25	799	57.28	10	0.95	29	681	48.77	11	1.15	32	619	44.32	11			1.25	37	536	38.39	11					1.40	40	497	35.61	12			1.55	47	422	30.21	12	1.80	52	381	27.27	12	2.00	GK69 GKF69 GKA69 GKAF69	4P	3kW							60	335	23.99	12	2.20	63	316	22.66	12	2.30			74	269	19.29	12	2.60	82	245			17.53	12	2.80	94	212	15.19	12	3.10	108	185	13.22	12	3.40	115	174	12.48	12	2.80	135	148	10.63	12	3.20	148	135	9.66	12	3.30	171	117	8.37	12	3.50	196	102	7.28	12	3.90	32	620	44.43	4.8	0.90	GK59 GKF59 GKA59 GKAF59	4P	0.47	55366	3062	160	0.90	GK189R99 GKA189R99	4P	37	537	38.49	7.5	1.05	40	498	35.70	7.8	1.15			47	423	30.28	7.8	1.35			52	382	27.34	7.8			1.45	59	336	24.05	7.6			1.65	63	317	22.71	7.6	1.75	74	270	19.34	7.4	2.00	81	245	17.57	7.2	2.10	94	212	15.22	7.1	2.40	108	185	13.25	6.9	2.60	120	166	11.92	6.5	2.30	127	157	11.26	6.5	2.50	55	362	25.91	5.0	1.05	GK49 GKF49 GKA49 GKAF49	4P	0.51	50954	2818	170	0.95	GK169R99 GKA169R99	4P	66	304	21.81	5.0	1.25	73	273	19.58	5.0	1.35								0.57	45547	2519	171	1.05	GK159R99 GKF159R99 GKA159R99 GKAF159R99	4P								0.63	41009	2268	171	1.20								0.70	37140	2054	171	1.30								0.79	32927	1821	171	1.50	GK129R89 GKF129R89 GKA129R89 GKAF129R89	4P								0.9	29021	1605	171	1.70								1.0	25224	1395	171	1.95								1.2	21626	1196	171	2.30								0.84	30811	1704	135	1.00	GK129R79 GKF129R79 GKA129R79 GKAF129R79	4P								1.0	25459	1408	135	1.20								1.1	23434	1296	135	1.35								1.3	19908	1101	135	1.55	GK109R79 GKF109R79 GKA109R79 GKAF109R79	4P								1.5	17069	944	135	1.85								1.7	15261	844	135	2.10								1.9	13688	757	135	2.30								1.2	22222	1229	104	0.80	GK109R79 GKF109R79 GKA109R79 GKAF109R79	4P								1.3	19763	1093	105	0.90								1.5	17033	942	107	1.05								1.7	15424	853	108	1.15								1.9	13670	756	108	1.30								2.5	10252	567	109	1.75								2.8	9113	504	110	1.95								2.7	9746	539	77	1.30								3.0	8607	476	77	1.50								3.4	7594	420	77	1.70								3.9	6654	368	78	1.95								4.3	5985	331	78	2.15								5.0	5189	287	78	2.45								1.8	14284	790	73	0.90								2.0	12729	704	75	1.00								2.3	11030	610	76	1.20								2.6	9927	549	77	1.30								3.0	8625	477	77	1.50								3.4	7576	419	77	1.75								3.1	8336	461	62	0.95								3.5	7377	408	62	1.05								3.9	6582	364	62	1.20								4.5	5750	318	62	1.40								5.0	5171	286	62	1.55								5.7	4538	251	62	1.75								6.4	4014	222	62	2.00								7.3	3544	196	62	2.25																																						
16	1237	88.61	16	1.15			18	1085	77.76	17	1.35			19	1029	73.69	17	1.40			22	900	64.49	17	1.60	25	811		58.10	18		1.80	GK79 GKF79 GKA79 GKAF79	4P	136	146	10.49	2.3	1.00	GK39 GKF39 GKA39 GKAF39	4P			28	711	50.97	18	2.00			32	628	44.98	18	2.30	36	557	39.88	19	2.60	41	489	35.05	19	3.00		46	429	30.76	19		3.40	49	407	29.15	19	3.60	56	356	25.51			19	4.10	24	847	60.66	9.0	0.90	GK69 GKF69 GKA69 GKAF69	4P	267	75	5.36	2.2	1.75	GK39 GKF39 GKA39 GKAF39	4P			25	799	57.28	10	0.95			29	681	48.77	11	1.15	32	619	44.32	11	1.25	37	536	38.39	11	1.40	40	497	35.61	12	1.55	47			422	30.21	12	1.80	52	381	27.27			12	2.00	GK69 GKF69 GKA69 GKAF69	4P	3kW									60	335	23.99	12	2.20	63	316	22.66	12	2.30	74	269	19.29	12	2.60	82	245	17.53	12	2.80	94	212	15.19	12	3.10	108			185	13.22	12	3.40	115	174	12.48	12	2.80	135	148	10.63	12	3.20	148	135	9.66	12	3.30	171	117	8.37	12	3.50	196	102	7.28	12	3.90	32	620	44.43	4.8	0.90	GK59 GKF59 GKA59 GKAF59	4P	0.47	55366	3062	160	0.90	GK189R99 GKA189R99	4P			37	537	38.49	7.5	1.05			40	498	35.70	7.8	1.15	47	423	30.28	7.8	1.35	52	382	27.34	7.8	1.45	59	336	24.05	7.6	1.65	63	317	22.71			7.6	1.75	74	270	19.34			7.4	2.00	81	245	17.57	7.2	2.10	94	212	15.22	7.1	2.40	108	185	13.25	6.9	2.60	120	166	11.92	6.5	2.30	127	157	11.26	6.5	2.50	55	362	25.91	5.0	1.05	GK49 GKF49 GKA49 GKAF49	4P	0.51	50954	2818	170	0.95	GK169R99 GKA169R99	4P			66	304	21.81	5.0	1.25			73	273	19.58	5.0	1.35								0.57	45547	2519	171	1.05	GK159R99 GKF159R99 GKA159R99 GKAF159R99	4P								0.63	41009	2268	171	1.20								0.70	37140	2054	171	1.30								0.79	32927	1821	171	1.50	GK129R89 GKF129R89 GKA129R89 GKAF129R89	4P								0.9	29021	1605	171	1.70								1.0	25224	1395	171	1.95								1.2	21626	1196	171	2.30								0.84	30811	1704	135	1.00	GK129R79 GKF129R79 GKA129R79 GKAF129R79	4P								1.0	25459	1408	135	1.20								1.1	23434	1296	135	1.35								1.3	19908	1101	135	1.55	GK109R79 GKF109R79 GKA109R79 GKAF109R79	4P								1.5	17069	944	135	1.85								1.7	15261	844	135	2.10								1.9	13688	757	135	2.30								1.2	22222	1229	104	0.80	GK109R79 GKF109R79 GKA109R79 GKAF109R79	4P								1.3	19763	1093	105	0.90								1.5	17033	942	107	1.05								1.7	15424	853	108	1.15								1.9	13670	756	108	1.30								2.5	10252	567	109	1.75								2.8	9113	504	110	1.95								2.7	9746	539	77	1.30								3.0	8607	476	77	1.50								3.4	7594	420	77	1.70								3.9	6654	368	78	1.95								4.3	5985	331	78	2.15								5.0	5189	287	78	2.45								1.8	14284	790	73	0.90								2.0	12729	704	75	1.00								2.3	11030	610	76	1.20								2.6	9927	549	77	1.30								3.0	8625	477	77	1.50								3.4	7576	419	77	1.75								3.1	8336	461	62	0.95								3.5	7377	408	62	1.05								3.9	6582	364	62	1.20								4.5	5750	318	62	1.40								5.0	5171	286	62	1.55								5.7	4538	251	62	1.75								6.4	4014	222	62	2.00								7.3	3544	196	62	2.25																																											
18	1085	77.76	17	1.35			19	1029	73.69	17	1.40			22	900	64.49	17	1.60	25	811	58.10	18	1.80	GK79 GKF79 GKA79 GKAF79	4P	136	146	10.49	2.3	1.00	GK39 GKF39 GKA39 GKAF39	4P			28	711	50.97	18	2.00					32	628	44.98	18	2.30			36	557	39.88	19	2.60	41	489	35.05	19	3.00	46	429	30.76	19	3.40	49	407	29.15	19	3.60	56	356	25.51	19	4.10	24	847	60.66	9.0	0.90	GK69 GKF69 GKA69 GKAF69	4P	267	75	5.36	2.2	1.75	GK39 GKF39 GKA39 GKAF39	4P			25	799	57.28	10	0.95					29	681	48.77	11	1.15			32	619	44.32	11	1.25	37	536	38.39	11	1.40	40	497	35.61	12	1.55	47	422	30.21	12	1.80	52	381	27.27	12	2.00	GK69 GKF69 GKA69 GKAF69	4P	3kW									60	335	23.99	12	2.20	63	316			22.66	12	2.30	74	269	19.29	12	2.60	82	245	17.53	12	2.80	94	212	15.19	12	3.10	108	185	13.22	12	3.40	115	174	12.48	12	2.80	135	148	10.63	12	3.20	148	135	9.66	12	3.30	171	117	8.37	12	3.50	196	102	7.28	12	3.90	32	620	44.43	4.8	0.90	GK59 GKF59 GKA59 GKAF59	4P	0.47	55366	3062	160	0.90	GK189R99 GKA189R99	4P			37	537	38.49	7.5	1.05					40	498	35.70	7.8	1.15			47	423	30.28	7.8	1.35	52	382	27.34	7.8	1.45	59	336	24.05	7.6	1.65	63	317	22.71	7.6	1.75	74	270	19.34	7.4	2.00	81	245	17.57	7.2	2.10	94	212	15.22	7.1	2.40	108	185	13.25	6.9	2.60	120	166	11.92	6.5	2.30	127	157	11.26	6.5	2.50	55	362	25.91	5.0	1.05	GK49 GKF49 GKA49 GKAF49	4P	0.51	50954	2818	170	0.95	GK169R99 GKA169R99	4P			66	304	21.81	5.0	1.25					73	273	19.58	5.0	1.35										0.57	45547	2519	171	1.05	GK159R99 GKF159R99 GKA159R99 GKAF159R99	4P								0.63			41009	2268	171	1.20								0.70	37140	2054	171	1.30								0.79	32927	1821	171	1.50	GK129R89 GKF129R89 GKA129R89 GKAF129R89	4P									0.9	29021	1605	171	1.70								1.0	25224	1395	171	1.95								1.2	21626	1196	171	2.30								0.84	30811	1704	135	1.00	GK129R79 GKF129R79 GKA129R79 GKAF129R79	4P										1.0	25459	1408	135	1.20								1.1	23434	1296	135	1.35								1.3	19908	1101	135	1.55			GK109R79 GKF109R79 GKA109R79 GKAF109R79	4P								1.5	17069	944	135	1.85								1.7	15261	844	135	2.10								1.9	13688	757	135	2.30								1.2	22222	1229			104	0.80	GK109R79 GKF109R79 GKA109R79 GKAF109R79			4P								1.3	19763	1093	105	0.90								1.5	17033	942	107	1.05								1.7	15424	853	108	1.15								1.9	13670	756	108	1.30								2.5	10252	567	109	1.75								2.8	9113	504	110	1.95								2.7	9746	539	77	1.30								3.0	8607	476	77	1.50								3.4	7594	420	77	1.70								3.9	6654	368	78	1.95								4.3	5985	331	78	2.15								5.0	5189	287	78	2.45								1.8	14284	790	73	0.90								2.0	12729	704	75	1.00								2.3	11030	610	76	1.20								2.6	9927	549	77	1.30								3.0	8625	477	77	1.50								3.4	7576	419	77	1.75								3.1	8336	461	62	0.95								3.5	7377	408	62	1.05								3.9	6582	364	62	1.20								4.5	5750	318	62	1.40								5.0	5171	286	62	1.55								5.7	4538	251	62	1.75								6.4	4014	222	62	2.00								7.3	3544	196	62	2.25																																					
19	1029	73.69	17	1.40																																																																																																																																																																																																																																																																																																																																																																																																																																																																																																																																																																																																																																																																																																																																																																																																																																																																																												
22	900	64.49	17	1.60																																																																																																																																																																																																																																																																																																																																																																																																																																																																																																																																																																																																																																																																																																																																																																																																																																																																																												
25	811	58.10	18	1.80	GK79 GKF79 GKA79 GKAF79	4P	136	146	10.49	2.3	1.00	GK39 GKF39 GKA39 GKAF39	4P																																																																																																																																																																																																																																																																																																																																																																																																																																																																																																																																																																																																																																																																																																																																																																																																																																																																																			
28	711	50.97	18	2.00			32	628	44.98	18	2.30			36	557	39.88	19	2.60	41	489	35.05	19	3.00			46	429	30.76	19	3.40			49	407	29.15	19	3.60	56	356	25.51	19	4.10	24	847	60.66	9.0	0.90	GK69 GKF69 GKA69 GKAF69	4P	267	75	5.36	2.2	1.75	GK39 GKF39 GKA39 GKAF39	4P	25	799	57.28	10	0.95	29	681	48.77	11	1.15	32	619	44.32	11	1.25	37	536	38.39	11	1.40	40	497	35.61	12			1.55	47	422	30.21	12			1.80	52	381	27.27	12	2.00	GK69 GKF69 GKA69 GKAF69	4P	3kW							60	335	23.99	12	2.20	63	316	22.66	12	2.30	74	269	19.29	12	2.60	82	245	17.53	12	2.80	94	212	15.19	12	3.10	108	185	13.22			12	3.40	115	174	12.48	12	2.80	135	148	10.63	12	3.20	148	135	9.66	12	3.30	171	117	8.37	12	3.50	196	102	7.28	12	3.90	32	620	44.43	4.8	0.90	GK59 GKF59 GKA59 GKAF59	4P	0.47	55366	3062	160	0.90	GK189R99 GKA189R99	4P	37	537	38.49	7.5	1.05	40	498	35.70	7.8	1.15	47	423	30.28	7.8	1.35	52	382	27.34	7.8	1.45	59	336	24.05	7.6	1.65	63	317	22.71	7.6	1.75			74	270	19.34	7.4	2.00			81	245	17.57	7.2	2.10	94	212	15.22	7.1	2.40	108	185	13.25	6.9	2.60	120	166	11.92	6.5	2.30	127	157	11.26	6.5	2.50	55	362	25.91	5.0	1.05	GK49 GKF49 GKA49 GKAF49	4P	0.51	50954	2818	170	0.95	GK169R99 GKA169R99	4P	66	304	21.81	5.0	1.25	73	273	19.58	5.0	1.35								0.57	45547	2519	171	1.05	GK159R99 GKF159R99 GKA159R99 GKAF159R99	4P								0.63	41009	2268	171	1.20								0.70	37140	2054	171	1.30								0.79	32927	1821	171	1.50	GK129R89 GKF129R89 GKA129R89 GKAF129R89	4P								0.9	29021	1605	171	1.70								1.0	25224	1395	171	1.95								1.2	21626	1196	171	2.30								0.84	30811	1704	135	1.00	GK129R79 GKF129R79 GKA129R79 GKAF129R79	4P								1.0	25459	1408	135	1.20								1.1	23434	1296	135	1.35								1.3	19908	1101	135	1.55	GK109R79 GKF109R79 GKA109R79 GKAF109R79	4P								1.5	17069	944	135	1.85								1.7	15261	844	135	2.10								1.9	13688	757	135	2.30								1.2	22222	1229	104	0.80	GK109R79 GKF109R79 GKA109R79 GKAF109R79	4P								1.3	19763	1093	105	0.90								1.5	17033	942	107	1.05								1.7	15424	853	108	1.15								1.9	13670	756	108	1.30								2.5	10252	567	109	1.75								2.8	9113	504	110	1.95								2.7	9746	539	77	1.30								3.0	8607	476	77	1.50								3.4	7594	420	77	1.70								3.9	6654	368	78	1.95								4.3	5985	331	78	2.15								5.0	5189	287	78	2.45								1.8	14284	790	73	0.90								2.0	12729	704	75	1.00								2.3	11030	610	76	1.20								2.6	9927	549	77	1.30								3.0	8625	477	77	1.50								3.4	7576	419	77	1.75								3.1	8336	461	62	0.95								3.5	7377	408	62	1.05								3.9	6582	364	62	1.20								4.5	5750	318	62	1.40								5.0	5171	286	62	1.55								5.7	4538	251	62	1.75								6.4	4014	222	62	2.00								7.3	3544	196	62	2.25																																																																																																			
32	628	44.98	18	2.30			36	557	39.88	19	2.60			41	489	35.05	19	3.00	46	429	30.76	19	3.40	49	407	29.15	19	3.60	56	356	25.51	19	4.10	24	847	60.66	9.0	0.90	GK69 GKF69 GKA69 GKAF69	4P	267	75	5.36	2.2	1.75	GK39 GKF39 GKA39 GKAF39	4P			25	799	57.28	10	0.95			29	681	48.77	11	1.15	32	619	44.32	11	1.25	37	536	38.39	11	1.40	40	497	35.61	12	1.55	47	422	30.21	12	1.80	52	381	27.27	12	2.00	GK69 GKF69 GKA69 GKAF69	4P	3kW									60	335	23.99	12	2.20	63	316	22.66	12	2.30	74	269	19.29	12	2.60	82	245	17.53	12	2.80	94	212	15.19	12	3.10	108	185	13.22	12	3.40	115	174	12.48	12	2.80	135	148	10.63	12	3.20	148	135	9.66	12	3.30	171	117	8.37	12	3.50	196	102	7.28	12	3.90	32	620	44.43	4.8	0.90	GK59 GKF59 GKA59 GKAF59	4P	0.47	55366	3062	160	0.90	GK189R99 GKA189R99	4P			37	537	38.49	7.5	1.05			40	498	35.70	7.8	1.15	47	423	30.28	7.8	1.35	52	382	27.34	7.8	1.45	59	336	24.05	7.6	1.65	63	317	22.71	7.6	1.75	74	270	19.34	7.4	2.00	81	245	17.57	7.2	2.10	94	212	15.22	7.1	2.40	108	185	13.25	6.9	2.60	120	166	11.92	6.5	2.30	127	157	11.26	6.5	2.50	55	362	25.91	5.0	1.05	GK49 GKF49 GKA49 GKAF49	4P	0.51	50954	2818	170	0.95	GK169R99 GKA169R99	4P			66	304	21.81	5.0	1.25			73	273	19.58	5.0	1.35								0.57	45547	2519	171	1.05	GK159R99 GKF159R99 GKA159R99 GKAF159R99	4P								0.63	41009	2268	171	1.20								0.70	37140	2054	171	1.30								0.79	32927	1821	171	1.50	GK129R89 GKF129R89 GKA129R89 GKAF129R89	4P								0.9	29021	1605	171	1.70								1.0	25224	1395	171	1.95								1.2	21626	1196	171	2.30								0.84	30811	1704	135	1.00	GK129R79 GKF129R79 GKA129R79 GKAF129R79	4P								1.0	25459	1408	135	1.20								1.1	23434	1296	135	1.35								1.3	19908	1101	135	1.55	GK109R79 GKF109R79 GKA109R79 GKAF109R79	4P								1.5	17069	944	135	1.85								1.7	15261	844	135	2.10								1.9	13688	757	135	2.30								1.2	22222	1229	104	0.80	GK109R79 GKF109R79 GKA109R79 GKAF109R79	4P								1.3	19763	1093	105	0.90								1.5	17033	942	107	1.05								1.7	15424	853	108	1.15								1.9	13670	756	108	1.30								2.5	10252	567	109	1.75								2.8	9113	504	110	1.95								2.7	9746	539	77	1.30								3.0	8607	476	77	1.50								3.4	7594	420	77	1.70								3.9	6654	368	78	1.95								4.3	5985	331	78	2.15								5.0	5189	287	78	2.45								1.8	14284	790	73	0.90								2.0	12729	704	75	1.00								2.3	11030	610	76	1.20								2.6	9927	549	77	1.30								3.0	8625	477	77	1.50								3.4	7576	419	77	1.75								3.1	8336	461	62	0.95								3.5	7377	408	62	1.05								3.9	6582	364	62	1.20								4.5	5750	318	62	1.40								5.0	5171	286	62	1.55								5.7	4538	251	62	1.75								6.4	4014	222	62	2.00								7.3	3544	196	62	2.25																																																																																																								
36	557	39.88	19	2.60			41	489	35.05	19	3.00			46	429	30.76	19	3.40	49	407	29.15	19	3.60	56	356	25.51	19	4.10	24	847	60.66	9.0	0.90	GK69 GKF69 GKA69 GKAF69	4P	267	75	5.36			2.2	1.75	GK39 GKF39 GKA39 GKAF39	4P	25					799	57.28	10	0.95	29			681	48.77	11	1.15	32	619	44.32	11	1.25	37	536	38.39	11	1.40	40	497	35.61	12	1.55	47	422	30.21	12	1.80	52	381	27.27	12	2.00	GK69 GKF69 GKA69 GKAF69			4P	3kW								60	335	23.99	12	2.20	63	316	22.66	12	2.30	74	269	19.29	12	2.60	82	245	17.53	12	2.80	94	212	15.19	12	3.10	108	185	13.22	12	3.40	115	174	12.48	12	2.80	135	148	10.63	12	3.20	148	135	9.66	12	3.30	171	117	8.37	12	3.50	196	102	7.28	12	3.90	32	620	44.43	4.8	0.90			GK59 GKF59 GKA59 GKAF59	4P	0.47	55366	3062					160	0.90	GK189R99 GKA189R99	4P	37			537	38.49	7.5	1.05	40	498	35.70	7.8	1.15	47	423	30.28	7.8	1.35	52	382	27.34	7.8	1.45	59	336	24.05	7.6	1.65	63	317	22.71	7.6	1.75	74	270	19.34	7.4	2.00	81	245	17.57	7.2	2.10	94	212	15.22	7.1	2.40	108	185	13.25	6.9	2.60	120	166	11.92	6.5	2.30	127	157	11.26	6.5	2.50	55			362	25.91	5.0	1.05	GK49 GKF49 GKA49 GKAF49					4P	0.51	50954	2818	170			0.95	GK169R99 GKA169R99	4P	66	304	21.81	5.0	1.25	73	273	19.58	5.0	1.35								0.57	45547			2519	171	1.05	GK159R99 GKF159R99 GKA159R99 GKAF159R99	4P								0.63	41009	2268	171	1.20								0.70	37140	2054	171	1.30										0.79	32927	1821	171	1.50	GK129R89 GKF129R89 GKA129R89 GKAF129R89	4P								0.9	29021	1605	171	1.70								1.0	25224	1395	171	1.95								1.2	21626	1196	171	2.30										0.84	30811	1704	135	1.00	GK129R79 GKF129R79 GKA129R79 GKAF129R79	4P								1.0	25459	1408	135	1.20								1.1	23434	1296			135	1.35								1.3	19908	1101	135	1.55	GK109R79 GKF109R79 GKA109R79 GKAF109R79	4P								1.5	17069	944	135	1.85								1.7	15261	844	135	2.10								1.9			13688	757	135			2.30								1.2	22222	1229	104	0.80	GK109R79 GKF109R79 GKA109R79 GKAF109R79	4P								1.3	19763	1093	105	0.90								1.5	17033	942	107	1.05								1.7	15424	853	108	1.15								1.9	13670	756	108	1.30								2.5	10252	567	109	1.75								2.8	9113	504	110	1.95								2.7	9746	539	77	1.30								3.0	8607	476	77	1.50								3.4	7594	420	77	1.70								3.9	6654	368	78	1.95								4.3	5985	331	78	2.15								5.0	5189	287	78	2.45								1.8	14284	790	73	0.90								2.0	12729	704	75	1.00								2.3	11030	610	76	1.20								2.6	9927	549	77	1.30								3.0	8625	477	77	1.50								3.4	7576	419	77	1.75								3.1	8336	461	62	0.95								3.5	7377	408	62	1.05								3.9	6582	364	62	1.20								4.5	5750	318	62	1.40								5.0	5171	286	62	1.55								5.7	4538	251	62	1.75								6.4	4014	222	62	2.00								7.3	3544	196	62	2.25																																																																																				
41	489	35.05	19	3.00																																																																																																																																																																																																																																																																																																																																																																																																																																																																																																																																																																																																																																																																																																																																																																																																																																																																																												
46	429	30.76	19	3.40																																																																																																																																																																																																																																																																																																																																																																																																																																																																																																																																																																																																																																																																																																																																																																																																																																																																																												
49	407	29.15	19	3.60																																																																																																																																																																																																																																																																																																																																																																																																																																																																																																																																																																																																																																																																																																																																																																																																																																																																																												
56	356	25.51	19	4.10																																																																																																																																																																																																																																																																																																																																																																																																																																																																																																																																																																																																																																																																																																																																																																																																																																																																																												
24	847	60.66	9.0	0.90	GK69 GKF69 GKA69 GKAF69	4P	267	75	5.36	2.2	1.75	GK39 GKF39 GKA39 GKAF39	4P																																																																																																																																																																																																																																																																																																																																																																																																																																																																																																																																																																																																																																																																																																																																																																																																																																																																																			
25	799	57.28	10	0.95			29	681	48.77	11	1.15			32	619	44.32	11	1.25	37	536	38.39	11	1.40	40	497	35.61	12	1.55	47	422	30.21	12	1.80	52	381	27.27	12	2.00	GK69 GKF69 GKA69 GKAF69	4P	3kW							60	335	23.99	12	2.20	63	316	22.66	12	2.30	74	269	19.29	12	2.60	82	245	17.53	12	2.80	94	212	15.19	12	3.10	108	185	13.22	12	3.40	115	174	12.48	12	2.80	135	148	10.63	12	3.20	148	135	9.66	12	3.30	171	117	8.37	12	3.50	196	102	7.28	12	3.90	32	620	44.43	4.8	0.90	GK59 GKF59 GKA59 GKAF59	4P	0.47	55366	3062	160	0.90	GK189R99 GKA189R99	4P	37	537	38.49	7.5	1.05	40	498	35.70	7.8	1.15	47	423	30.28	7.8	1.35	52	382	27.34	7.8	1.45	59	336	24.05	7.6	1.65	63	317	22.71	7.6	1.75	74	270	19.34	7.4	2.00	81	245	17.57	7.2	2.10	94	212	15.22	7.1	2.40	108	185	13.25	6.9	2.60	120	166	11.92	6.5	2.30	127	157	11.26	6.5	2.50	55	362	25.91	5.0	1.05	GK49 GKF49 GKA49 GKAF49	4P	0.51	50954	2818	170	0.95	GK169R99 GKA169R99	4P	66	304	21.81	5.0	1.25	73	273	19.58	5.0	1.35								0.57	45547	2519	171	1.05	GK159R99 GKF159R99 GKA159R99 GKAF159R99	4P								0.63	41009	2268	171	1.20								0.70	37140	2054	171	1.30								0.79	32927	1821	171	1.50	GK129R89 GKF129R89 GKA129R89 GKAF129R89	4P								0.9	29021	1605	171	1.70								1.0	25224	1395	171	1.95								1.2	21626	1196	171	2.30								0.84	30811	1704	135	1.00	GK129R79 GKF129R79 GKA129R79 GKAF129R79	4P								1.0	25459	1408	135	1.20								1.1	23434	1296	135	1.35								1.3	19908	1101	135	1.55	GK109R79 GKF109R79 GKA109R79 GKAF109R79	4P								1.5	17069	944	135	1.85								1.7	15261	844	135	2.10								1.9	13688	757	135	2.30								1.2	22222	1229	104	0.80	GK109R79 GKF109R79 GKA109R79 GKAF109R79	4P								1.3	19763	1093	105	0.90								1.5	17033	942	107	1.05								1.7	15424	853	108	1.15								1.9	13670	756	108	1.30								2.5	10252	567	109	1.75								2.8	9113	504	110	1.95								2.7	9746	539	77	1.30								3.0	8607	476	77	1.50								3.4	7594	420	77	1.70								3.9	6654	368	78	1.95								4.3	5985	331	78	2.15								5.0	5189	287	78	2.45								1.8	14284	790	73	0.90								2.0	12729	704	75	1.00								2.3	11030	610	76	1.20								2.6	9927	549	77	1.30								3.0	8625	477	77	1.50								3.4	7576	419	77	1.75								3.1	8336	461	62	0.95								3.5	7377	408	62	1.05								3.9	6582	364	62	1.20								4.5	5750	318	62	1.40								5.0	5171	286	62	1.55								5.7	4538	251	62	1.75								6.4	4014	222	62	2.00								7.3	3544	196	62	2.25																																																																																																																																																																		
29	681	48.77	11	1.15			32	619	44.32	11	1.25			37	536	38.39	11	1.40	40	497	35.61	12	1.55	47	422	30.21	12	1.80	52	381	27.27	12	2.00	GK69 GKF69 GKA69 GKAF69	4P	3kW							60	335	23.99	12	2.20	63	316	22.66	12	2.30	74	269	19.29	12	2.60	82	245	17.53	12	2.80	94	212	15.19	12	3.10	108	185	13.22	12	3.40	115	174	12.48	12	2.80	135	148	10.63	12	3.20	148	135	9.66	12	3.30	171	117	8.37	12	3.50	196	102	7.28	12	3.90	32	620	44.43	4.8	0.90	GK59 GKF59 GKA59 GKAF59	4P	0.47	55366	3062			160	0.90	GK189R99 GKA189R99	4P	37			537	38.49	7.5	1.05	40	498	35.70	7.8	1.15	47	423	30.28	7.8	1.35	52	382	27.34	7.8	1.45	59	336	24.05	7.6	1.65	63	317	22.71	7.6	1.75	74	270	19.34	7.4	2.00	81	245	17.57	7.2	2.10	94	212	15.22	7.1	2.40	108	185	13.25	6.9	2.60	120	166	11.92	6.5	2.30	127	157	11.26	6.5	2.50	55	362	25.91	5.0	1.05	GK49 GKF49 GKA49 GKAF49			4P	0.51	50954	2818	170			0.95	GK169R99 GKA169R99	4P	66	304	21.81	5.0	1.25	73	273	19.58	5.0	1.35								0.57	45547			2519	171	1.05	GK159R99 GKF159R99 GKA159R99 GKAF159R99	4P								0.63	41009	2268	171	1.20								0.70	37140	2054	171	1.30										0.79	32927	1821	171	1.50	GK129R89 GKF129R89 GKA129R89 GKAF129R89	4P								0.9	29021	1605	171	1.70								1.0	25224	1395	171	1.95								1.2	21626	1196	171	2.30								0.84	30811	1704	135	1.00	GK129R79 GKF129R79 GKA129R79 GKAF129R79	4P								1.0	25459	1408	135	1.20								1.1	23434	1296	135	1.35								1.3	19908	1101	135	1.55	GK109R79 GKF109R79 GKA109R79 GKAF109R79	4P								1.5	17069	944	135	1.85								1.7	15261	844	135	2.10								1.9	13688	757	135	2.30								1.2	22222	1229	104	0.80	GK109R79 GKF109R79 GKA109R79 GKAF109R79	4P								1.3	19763	1093	105	0.90								1.5	17033	942	107	1.05								1.7	15424	853	108	1.15								1.9	13670	756	108	1.30								2.5	10252	567	109	1.75								2.8	9113	504	110	1.95								2.7	9746	539	77	1.30								3.0	8607	476	77	1.50								3.4	7594	420	77	1.70								3.9	6654	368	78	1.95								4.3	5985	331	78	2.15								5.0	5189	287	78	2.45								1.8	14284	790	73	0.90								2.0	12729	704	75	1.00								2.3	11030	610	76	1.20								2.6	9927	549	77	1.30								3.0	8625	477	77	1.50								3.4	7576	419	77	1.75								3.1	8336	461	62	0.95								3.5	7377	408	62	1.05								3.9	6582	364	62	1.20								4.5	5750	318	62	1.40								5.0	5171	286	62	1.55								5.7	4538	251	62	1.75								6.4	4014	222	62	2.00								7.3	3544	196	62	2.25																																																																																																																																																											
32	619	44.32	11	1.25			37	536	38.39	11	1.40			40	497	35.61	12	1.55	47	422	30.21	12	1.80	52	381	27.27	12	2.00	GK69 GKF69 GKA69 GKAF69	4P	3kW							60			335	23.99	12	2.20	63	316	22.66	12	2.30	74	269	19.29	12	2.60	82	245	17.53	12	2.80	94	212	15.19	12	3.10	108	185	13.22	12	3.40	115	174	12.48	12	2.80	135	148	10.63	12	3.20	148	135	9.66	12	3.30	171	117	8.37	12	3.50	196	102	7.28	12	3.90	32	620	44.43	4.8	0.90	GK59 GKF59 GKA59 GKAF59	4P	0.47			55366	3062	160			0.90	GK189R99 GKA189R99			4P			37	537	38.49	7.5	1.05	40	498	35.70	7.8	1.15	47	423	30.28	7.8	1.35	52	382	27.34	7.8	1.45	59	336	24.05	7.6	1.65	63	317	22.71	7.6	1.75	74	270	19.34	7.4	2.00	81	245	17.57	7.2	2.10	94	212	15.22	7.1	2.40	108	185	13.25	6.9	2.60	120	166	11.92	6.5	2.30	127	157	11.26	6.5	2.50	55	362	25.91	5.0					1.05	GK49 GKF49 GKA49 GKAF49	4P	0.51			50954			2818	170	0.95	GK169R99 GKA169R99	4P	66	304	21.81	5.0	1.25	73	273	19.58	5.0	1.35								0.57	45547			2519	171	1.05	GK159R99 GKF159R99 GKA159R99 GKAF159R99	4P								0.63	41009	2268	171	1.20								0.70	37140	2054	171	1.30								0.79	32927			1821	171	1.50	GK129R89 GKF129R89 GKA129R89 GKAF129R89	4P								0.9	29021	1605	171	1.70								1.0	25224	1395	171	1.95								1.2	21626	1196	171	2.30										0.84	30811	1704	135	1.00	GK129R79 GKF129R79 GKA129R79 GKAF129R79	4P								1.0	25459	1408	135	1.20								1.1	23434	1296			135	1.35								1.3	19908	1101	135	1.55	GK109R79 GKF109R79 GKA109R79 GKAF109R79	4P								1.5	17069	944	135	1.85								1.7	15261	844	135	2.10								1.9			13688	757	135	2.30								1.2	22222	1229	104	0.80	GK109R79 GKF109R79 GKA109R79 GKAF109R79	4P								1.3	19763	1093	105	0.90								1.5	17033	942	107	1.05								1.7	15424	853	108	1.15								1.9	13670	756	108	1.30								2.5	10252	567	109	1.75								2.8	9113	504	110	1.95								2.7	9746	539	77	1.30								3.0	8607	476	77	1.50								3.4	7594	420	77	1.70								3.9	6654	368	78	1.95								4.3	5985	331	78	2.15								5.0	5189	287	78	2.45								1.8	14284	790	73	0.90								2.0	12729	704	75	1.00								2.3	11030	610	76	1.20								2.6	9927	549	77	1.30								3.0	8625	477	77	1.50								3.4	7576	419	77	1.75								3.1	8336	461	62	0.95								3.5	7377	408	62	1.05								3.9	6582	364	62	1.20								4.5	5750	318	62	1.40								5.0	5171	286	62	1.55								5.7	4538	251	62	1.75								6.4	4014	222	62	2.00								7.3	3544	196	62	2.25																																																																																																																																																
37	536	38.39	11	1.40																																																																																																																																																																																																																																																																																																																																																																																																																																																																																																																																																																																																																																																																																																																																																																																																																																																																																												
40	497	35.61	12	1.55																																																																																																																																																																																																																																																																																																																																																																																																																																																																																																																																																																																																																																																																																																																																																																																																																																																																																												
47	422	30.21	12	1.80																																																																																																																																																																																																																																																																																																																																																																																																																																																																																																																																																																																																																																																																																																																																																																																																																																																																																												
52	381	27.27	12	2.00	GK69 GKF69 GKA69 GKAF69	4P	3kW																																																																																																																																																																																																																																																																																																																																																																																																																																																																																																																																																																																																																																																																																																																																																																																																																																																																																									
60	335	23.99	12	2.20			63	316	22.66	12	2.30	74	269	19.29	12	2.60	82	245	17.53	12	2.80	94	212	15.19	12	3.10	108	185	13.22	12	3.40	115	174	12.48	12	2.80	135	148	10.63	12	3.20	148	135	9.66	12	3.30	171	117	8.37	12	3.50	196	102	7.28	12	3.90	32	620	44.43	4.8	0.90	GK59 GKF59 GKA59 GKAF59	4P	0.47	55366	3062	160	0.90	GK189R99 GKA189R99	4P	37	537	38.49	7.5	1.05	40	498	35.70	7.8	1.15	47	423	30.28	7.8	1.35	52	382	27.34	7.8	1.45	59	336	24.05	7.6	1.65	63	317	22.71	7.6	1.75	74	270	19.34	7.4	2.00	81	245	17.57	7.2	2.10	94	212	15.22	7.1	2.40	108	185	13.25	6.9	2.60	120	166	11.92	6.5	2.30	127	157	11.26	6.5	2.50	55	362	25.91	5.0	1.05	GK49 GKF49 GKA49 GKAF49	4P	0.51	50954	2818	170	0.95	GK169R99 GKA169R99	4P	66	304	21.81	5.0	1.25	73	273	19.58	5.0	1.35								0.57	45547	2519	171	1.05	GK159R99 GKF159R99 GKA159R99 GKAF159R99	4P								0.63	41009	2268	171	1.20								0.70	37140	2054	171	1.30								0.79	32927	1821	171	1.50	GK129R89 GKF129R89 GKA129R89 GKAF129R89	4P								0.9	29021	1605	171	1.70								1.0	25224	1395	171	1.95								1.2	21626	1196	171	2.30								0.84	30811	1704	135	1.00	GK129R79 GKF129R79 GKA129R79 GKAF129R79	4P								1.0	25459	1408	135	1.20								1.1	23434	1296	135	1.35								1.3	19908	1101	135	1.55	GK109R79 GKF109R79 GKA109R79 GKAF109R79	4P								1.5	17069	944	135	1.85								1.7	15261	844	135	2.10								1.9	13688	757	135	2.30								1.2	22222	1229	104	0.80	GK109R79 GKF109R79 GKA109R79 GKAF109R79	4P								1.3	19763	1093	105	0.90								1.5	17033	942	107	1.05								1.7	15424	853	108	1.15								1.9	13670	756	108	1.30								2.5	10252	567	109	1.75								2.8	9113	504	110	1.95								2.7	9746	539	77	1.30								3.0	8607	476	77	1.50								3.4	7594	420	77	1.70								3.9	6654	368	78	1.95								4.3	5985	331	78	2.15								5.0	5189	287	78	2.45								1.8	14284	790	73	0.90								2.0	12729	704	75	1.00								2.3	11030	610	76	1.20								2.6	9927	549	77	1.30								3.0	8625	477	77	1.50								3.4	7576	419	77	1.75								3.1	8336	461	62	0.95								3.5	7377	408	62	1.05								3.9	6582	364	62	1.20								4.5	5750	318	62	1.40								5.0	5171	286	62	1.55								5.7	4538	251	62	1.75								6.4	4014	222	62	2.00								7.3	3544	196	62	2.25																																																																																																																																																																																																																
63	316	22.66	12	2.30			74	269	19.29	12	2.60	82	245	17.53	12	2.80	94	212	15.19	12	3.10	108	185	13.22	12	3.40	115	174	12.48	12	2.80	135	148	10.63	12	3.20	148	135	9.66	12	3.30	171	117	8.37	12	3.50	196	102	7.28	12	3.90	32	620	44.43	4.8	0.90	GK59 GKF59 GKA59 GKAF59	4P	0.47	55366	3062			160	0.90	GK189R99 GKA189R99	4P	37			537	38.49	7.5	1.05	40	498	35.70	7.8	1.15	47	423	30.28	7.8	1.35	52	382	27.34	7.8	1.45	59	336	24.05	7.6	1.65	63	317	22.71	7.6	1.75	74	270	19.34	7.4	2.00	81	245	17.57	7.2	2.10	94	212	15.22	7.1	2.40	108	185	13.25	6.9	2.60	120	166	11.92	6.5	2.30	127	157	11.26	6.5	2.50	55	362	25.91	5.0	1.05	GK49 GKF49 GKA49 GKAF49			4P	0.51	50954	2818	170			0.95	GK169R99 GKA169R99	4P	66	304	21.81	5.0	1.25	73	273	19.58	5.0	1.35								0.57	45547			2519	171	1.05	GK159R99 GKF159R99 GKA159R99 GKAF159R99	4P								0.63	41009	2268	171	1.20								0.70	37140	2054	171	1.30										0.79	32927	1821	171	1.50	GK129R89 GKF129R89 GKA129R89 GKAF129R89	4P								0.9	29021	1605	171	1.70								1.0	25224	1395	171	1.95								1.2	21626	1196	171	2.30								0.84	30811	1704	135	1.00	GK129R79 GKF129R79 GKA129R79 GKAF129R79	4P								1.0	25459	1408	135	1.20								1.1	23434	1296	135	1.35								1.3	19908	1101	135	1.55	GK109R79 GKF109R79 GKA109R79 GKAF109R79	4P								1.5	17069	944	135	1.85								1.7	15261	844	135	2.10								1.9	13688	757	135	2.30								1.2	22222	1229	104	0.80	GK109R79 GKF109R79 GKA109R79 GKAF109R79	4P								1.3	19763	1093	105	0.90								1.5	17033	942	107	1.05								1.7	15424	853	108	1.15								1.9	13670	756	108	1.30								2.5	10252	567	109	1.75								2.8	9113	504	110	1.95								2.7	9746	539	77	1.30								3.0	8607	476	77	1.50								3.4	7594	420	77	1.70								3.9	6654	368	78	1.95								4.3	5985	331	78	2.15								5.0	5189	287	78	2.45								1.8	14284	790	73	0.90								2.0	12729	704	75	1.00								2.3	11030	610	76	1.20								2.6	9927	549	77	1.30								3.0	8625	477	77	1.50								3.4	7576	419	77	1.75								3.1	8336	461	62	0.95								3.5	7377	408	62	1.05								3.9	6582	364	62	1.20								4.5	5750	318	62	1.40								5.0	5171	286	62	1.55								5.7	4538	251	62	1.75								6.4	4014	222	62	2.00								7.3	3544	196	62	2.25																																																																																																																																																																																																									
74	269	19.29	12	2.60			82	245	17.53	12	2.80	94	212	15.19	12	3.10	108	185	13.22	12	3.40	115	174	12.48	12	2.80	135	148	10.63	12	3.20	148	135	9.66	12	3.30	171	117	8.37	12	3.50	196	102	7.28	12	3.90	32	620	44.43	4.8	0.90	GK59 GKF59 GKA59 GKAF59	4P	0.47	55366	3062			160	0.90	GK189R99 GKA189R99			4P	37			537			38.49	7.5	1.05	40	498	35.70	7.8	1.15	47	423	30.28	7.8	1.35	52	382	27.34	7.8	1.45	59	336	24.05	7.6	1.65	63	317	22.71	7.6	1.75	74	270	19.34	7.4	2.00	81	245	17.57	7.2	2.10	94	212	15.22	7.1	2.40	108	185	13.25	6.9	2.60	120	166	11.92	6.5	2.30	127	157	11.26	6.5	2.50	55	362	25.91	5.0	1.05	GK49 GKF49 GKA49 GKAF49					4P	0.51	50954	2818			170			0.95	GK169R99 GKA169R99	4P	66	304	21.81	5.0	1.25	73	273	19.58	5.0	1.35									0.57	45547	2519			171	1.05	GK159R99 GKF159R99 GKA159R99 GKAF159R99	4P								0.63	41009	2268	171	1.20								0.70	37140	2054	171	1.30								0.79	32927	1821			171	1.50	GK129R89 GKF129R89 GKA129R89 GKAF129R89	4P								0.9	29021	1605	171	1.70								1.0	25224	1395	171	1.95								1.2	21626	1196	171	2.30								0.84			30811	1704	135	1.00	GK129R79 GKF129R79 GKA129R79 GKAF129R79	4P								1.0	25459	1408	135	1.20								1.1	23434	1296	135			1.35								1.3	19908	1101	135	1.55	GK109R79 GKF109R79 GKA109R79 GKAF109R79	4P								1.5	17069	944	135	1.85								1.7	15261	844	135	2.10								1.9	13688			757	135	2.30								1.2	22222	1229	104	0.80	GK109R79 GKF109R79 GKA109R79 GKAF109R79	4P								1.3	19763	1093	105	0.90								1.5	17033	942	107	1.05								1.7	15424	853	108	1.15								1.9	13670	756	108	1.30								2.5	10252	567	109	1.75								2.8	9113	504	110	1.95								2.7	9746	539	77	1.30								3.0	8607	476	77	1.50								3.4	7594	420	77	1.70								3.9	6654	368	78	1.95								4.3	5985	331	78	2.15								5.0	5189	287	78	2.45								1.8	14284	790	73	0.90								2.0	12729	704	75	1.00								2.3	11030	610	76	1.20								2.6	9927	549	77	1.30								3.0	8625	477	77	1.50								3.4	7576	419	77	1.75								3.1	8336	461	62	0.95								3.5	7377	408	62	1.05								3.9	6582	364	62	1.20								4.5	5750	318	62	1.40								5.0	5171	286	62	1.55								5.7	4538	251	62	1.75								6.4	4014	222	62	2.00								7.3	3544	196	62	2.25																																																																																																																																																																																															
82	245	17.53	12	2.80																																																																																																																																																																																																																																																																																																																																																																																																																																																																																																																																																																																																																																																																																																																																																																																																																																																																																												
94	212	15.19	12	3.10																																																																																																																																																																																																																																																																																																																																																																																																																																																																																																																																																																																																																																																																																																																																																																																																																																																																																												
108	185	13.22	12	3.40																																																																																																																																																																																																																																																																																																																																																																																																																																																																																																																																																																																																																																																																																																																																																																																																																																																																																												
115	174	12.48	12	2.80																																																																																																																																																																																																																																																																																																																																																																																																																																																																																																																																																																																																																																																																																																																																																																																																																																																																																												
135	148	10.63	12	3.20																																																																																																																																																																																																																																																																																																																																																																																																																																																																																																																																																																																																																																																																																																																																																																																																																																																																																												
148	135	9.66	12	3.30																																																																																																																																																																																																																																																																																																																																																																																																																																																																																																																																																																																																																																																																																																																																																																																																																																																																																												
171	117	8.37	12	3.50																																																																																																																																																																																																																																																																																																																																																																																																																																																																																																																																																																																																																																																																																																																																																																																																																																																																																												
196	102	7.28	12	3.90																																																																																																																																																																																																																																																																																																																																																																																																																																																																																																																																																																																																																																																																																																																																																																																																																																																																																												
32	620	44.43	4.8	0.90	GK59 GKF59 GKA59 GKAF59	4P	0.47	55366	3062	160	0.90	GK189R99 GKA189R99	4P																																																																																																																																																																																																																																																																																																																																																																																																																																																																																																																																																																																																																																																																																																																																																																																																																																																																																			
37	537	38.49	7.5	1.05			40	498	35.70	7.8	1.15			47	423	30.28	7.8	1.35	52	382	27.34	7.8	1.45	59	336	24.05	7.6	1.65	63	317	22.71	7.6	1.75	74	270	19.34	7.4	2.00	81	245	17.57	7.2	2.10	94	212	15.22	7.1	2.40	108	185	13.25	6.9	2.60	120	166	11.92	6.5	2.30	127	157	11.26	6.5	2.50	55	362	25.91	5.0	1.05	GK49 GKF49 GKA49 GKAF49	4P	0.51	50954	2818	170	0.95	GK169R99 GKA169R99	4P	66	304	21.81	5.0	1.25	73	273	19.58	5.0	1.35								0.57	45547	2519	171	1.05	GK159R99 GKF159R99 GKA159R99 GKAF159R99	4P								0.63	41009	2268	171	1.20								0.70	37140	2054	171	1.30								0.79	32927	1821	171	1.50	GK129R89 GKF129R89 GKA129R89 GKAF129R89	4P								0.9	29021	1605	171	1.70								1.0	25224	1395	171	1.95								1.2	21626	1196	171	2.30								0.84	30811	1704	135	1.00	GK129R79 GKF129R79 GKA129R79 GKAF129R79	4P								1.0	25459	1408	135	1.20								1.1	23434	1296	135	1.35								1.3	19908	1101	135	1.55	GK109R79 GKF109R79 GKA109R79 GKAF109R79	4P								1.5	17069	944	135	1.85								1.7	15261	844	135	2.10								1.9	13688	757	135	2.30								1.2	22222	1229	104	0.80	GK109R79 GKF109R79 GKA109R79 GKAF109R79	4P								1.3	19763	1093	105	0.90								1.5	17033	942	107	1.05								1.7	15424	853	108	1.15								1.9	13670	756	108	1.30								2.5	10252	567	109	1.75								2.8	9113	504	110	1.95								2.7	9746	539	77	1.30								3.0	8607	476	77	1.50								3.4	7594	420	77	1.70								3.9	6654	368	78	1.95								4.3	5985	331	78	2.15								5.0	5189	287	78	2.45								1.8	14284	790	73	0.90								2.0	12729	704	75	1.00								2.3	11030	610	76	1.20								2.6	9927	549	77	1.30								3.0	8625	477	77	1.50								3.4	7576	419	77	1.75								3.1	8336	461	62	0.95								3.5	7377	408	62	1.05								3.9	6582	364	62	1.20								4.5	5750	318	62	1.40								5.0	5171	286	62	1.55								5.7	4538	251	62	1.75								6.4	4014	222	62	2.00								7.3	3544	196	62	2.25																																																																																																																																																																																																																																																																																			
40	498	35.70	7.8	1.15			47	423	30.28	7.8	1.35			52	382	27.34	7.8	1.45	59	336	24.05	7.6	1.65	63	317	22.71	7.6	1.75	74	270	19.34	7.4	2.00	81	245	17.57	7.2	2.10	94	212	15.22	7.1	2.40	108	185	13.25	6.9	2.60	120	166	11.92	6.5	2.30	127	157	11.26	6.5	2.50	55	362	25.91	5.0	1.05	GK49 GKF49 GKA49 GKAF49	4P	0.51	50954	2818			170	0.95	GK169R99 GKA169R99	4P	66			304	21.81	5.0	1.25	73	273	19.58	5.0	1.35								0.57	45547	2519	171	1.05	GK159R99 GKF159R99 GKA159R99 GKAF159R99			4P								0.63	41009	2268	171	1.20								0.70	37140	2054	171	1.30								0.79	32927	1821	171			1.50	GK129R89 GKF129R89 GKA129R89 GKAF129R89	4P								0.9	29021	1605	171	1.70								1.0	25224	1395	171	1.95								1.2	21626	1196	171	2.30								0.84	30811			1704	135	1.00	GK129R79 GKF129R79 GKA129R79 GKAF129R79	4P								1.0	25459	1408	135	1.20								1.1	23434	1296	135	1.35										1.3	19908	1101	135	1.55	GK109R79 GKF109R79 GKA109R79 GKAF109R79	4P								1.5	17069	944	135	1.85								1.7	15261	844	135	2.10								1.9	13688	757	135	2.30								1.2	22222	1229	104	0.80	GK109R79 GKF109R79 GKA109R79 GKAF109R79	4P								1.3	19763	1093	105	0.90								1.5	17033	942	107	1.05								1.7	15424	853	108	1.15								1.9	13670	756	108	1.30								2.5	10252	567	109	1.75								2.8	9113	504	110	1.95								2.7	9746	539	77	1.30								3.0	8607	476	77	1.50								3.4	7594	420	77	1.70								3.9	6654	368	78	1.95								4.3	5985	331	78	2.15								5.0	5189	287	78	2.45								1.8	14284	790	73	0.90								2.0	12729	704	75	1.00								2.3	11030	610	76	1.20								2.6	9927	549	77	1.30								3.0	8625	477	77	1.50								3.4	7576	419	77	1.75								3.1	8336	461	62	0.95								3.5	7377	408	62	1.05								3.9	6582	364	62	1.20								4.5	5750	318	62	1.40								5.0	5171	286	62	1.55								5.7	4538	251	62	1.75								6.4	4014	222	62	2.00								7.3	3544	196	62	2.25																																																																																																																																																																																																																																																																												
47	423	30.28	7.8	1.35			52	382	27.34	7.8	1.45			59	336	24.05	7.6	1.65	63	317	22.71	7.6	1.75	74	270	19.34	7.4	2.00	81	245	17.57	7.2	2.10	94	212	15.22	7.1	2.40	108	185	13.25	6.9	2.60	120	166	11.92	6.5	2.30	127	157	11.26	6.5	2.50	55	362	25.91	5.0	1.05	GK49 GKF49 GKA49 GKAF49	4P	0.51	50954	2818			170	0.95	GK169R99 GKA169R99			4P	66			304			21.81	5.0	1.25	73	273	19.58	5.0	1.35								0.57	45547	2519	171	1.05	GK159R99 GKF159R99 GKA159R99 GKAF159R99					4P								0.63	41009	2268	171	1.20								0.70	37140	2054	171	1.30								0.79	32927	1821			171			1.50	GK129R89 GKF129R89 GKA129R89 GKAF129R89	4P								0.9	29021	1605	171	1.70								1.0	25224	1395	171	1.95								1.2	21626	1196	171	2.30									0.84	30811	1704			135	1.00	GK129R79 GKF129R79 GKA129R79 GKAF129R79	4P								1.0	25459	1408	135	1.20								1.1	23434	1296	135	1.35								1.3	19908	1101			135	1.55	GK109R79 GKF109R79 GKA109R79 GKAF109R79	4P								1.5	17069	944	135	1.85								1.7	15261	844	135	2.10								1.9	13688	757	135	2.30								1.2			22222	1229	104	0.80	GK109R79 GKF109R79 GKA109R79 GKAF109R79	4P								1.3	19763	1093	105	0.90								1.5	17033	942	107	1.05								1.7	15424	853	108	1.15								1.9	13670	756	108	1.30								2.5	10252	567	109	1.75								2.8	9113	504	110	1.95								2.7	9746	539	77	1.30								3.0	8607	476	77	1.50								3.4	7594	420	77	1.70								3.9	6654	368	78	1.95								4.3	5985	331	78	2.15								5.0	5189	287	78	2.45								1.8	14284	790	73	0.90								2.0	12729	704	75	1.00								2.3	11030	610	76	1.20								2.6	9927	549	77	1.30								3.0	8625	477	77	1.50								3.4	7576	419	77	1.75								3.1	8336	461	62	0.95								3.5	7377	408	62	1.05								3.9	6582	364	62	1.20								4.5	5750	318	62	1.40								5.0	5171	286	62	1.55								5.7	4538	251	62	1.75								6.4	4014	222	62	2.00								7.3	3544	196	62	2.25																																																																																																																																																																																																																																																																						
52	382	27.34	7.8	1.45																																																																																																																																																																																																																																																																																																																																																																																																																																																																																																																																																																																																																																																																																																																																																																																																																																																																																												
59	336	24.05	7.6	1.65																																																																																																																																																																																																																																																																																																																																																																																																																																																																																																																																																																																																																																																																																																																																																																																																																																																																																												
63	317	22.71	7.6	1.75																																																																																																																																																																																																																																																																																																																																																																																																																																																																																																																																																																																																																																																																																																																																																																																																																																																																																												
74	270	19.34	7.4	2.00																																																																																																																																																																																																																																																																																																																																																																																																																																																																																																																																																																																																																																																																																																																																																																																																																																																																																												
81	245	17.57	7.2	2.10																																																																																																																																																																																																																																																																																																																																																																																																																																																																																																																																																																																																																																																																																																																																																																																																																																																																																												
94	212	15.22	7.1	2.40																																																																																																																																																																																																																																																																																																																																																																																																																																																																																																																																																																																																																																																																																																																																																																																																																																																																																												
108	185	13.25	6.9	2.60																																																																																																																																																																																																																																																																																																																																																																																																																																																																																																																																																																																																																																																																																																																																																																																																																																																																																												
120	166	11.92	6.5	2.30																																																																																																																																																																																																																																																																																																																																																																																																																																																																																																																																																																																																																																																																																																																																																																																																																																																																																												
127	157	11.26	6.5	2.50																																																																																																																																																																																																																																																																																																																																																																																																																																																																																																																																																																																																																																																																																																																																																																																																																																																																																												
55	362	25.91	5.0	1.05	GK49 GKF49 GKA49 GKAF49	4P	0.51	50954	2818	170	0.95	GK169R99 GKA169R99	4P																																																																																																																																																																																																																																																																																																																																																																																																																																																																																																																																																																																																																																																																																																																																																																																																																																																																																			
66	304	21.81	5.0	1.25			73	273	19.58	5.0	1.35										0.57	45547	2519	171	1.05	GK159R99 GKF159R99 GKA159R99 GKAF159R99	4P								0.63	41009	2268	171	1.20								0.70	37140	2054	171	1.30								0.79	32927	1821	171	1.50	GK129R89 GKF129R89 GKA129R89 GKAF129R89	4P								0.9	29021	1605	171	1.70								1.0	25224	1395	171	1.95								1.2	21626	1196	171	2.30								0.84	30811	1704	135	1.00	GK129R79 GKF129R79 GKA129R79 GKAF129R79	4P								1.0	25459	1408	135	1.20								1.1	23434	1296	135	1.35								1.3	19908	1101	135	1.55	GK109R79 GKF109R79 GKA109R79 GKAF109R79	4P								1.5	17069	944	135	1.85								1.7	15261	844	135	2.10								1.9	13688	757	135	2.30								1.2	22222	1229	104	0.80	GK109R79 GKF109R79 GKA109R79 GKAF109R79	4P								1.3	19763	1093	105	0.90								1.5	17033	942	107	1.05								1.7	15424	853	108	1.15								1.9	13670	756	108	1.30								2.5	10252	567	109	1.75								2.8	9113	504	110	1.95								2.7	9746	539	77	1.30								3.0	8607	476	77	1.50								3.4	7594	420	77	1.70								3.9	6654	368	78	1.95								4.3	5985	331	78	2.15								5.0	5189	287	78	2.45								1.8	14284	790	73	0.90								2.0	12729	704	75	1.00								2.3	11030	610	76	1.20								2.6	9927	549	77	1.30								3.0	8625	477	77	1.50								3.4	7576	419	77	1.75								3.1	8336	461	62	0.95								3.5	7377	408	62	1.05								3.9	6582	364	62	1.20								4.5	5750	318	62	1.40								5.0	5171	286	62	1.55								5.7	4538	251	62	1.75								6.4	4014	222	62	2.00								7.3	3544	196	62	2.25																																																																																																																																																																																																																																																																																																																																																													
73	273	19.58	5.0	1.35																																																																																																																																																																																																																																																																																																																																																																																																																																																																																																																																																																																																																																																																																																																																																																																																																																																																																												
							0.57	45547	2519	171	1.05	GK159R99 GKF159R99 GKA159R99 GKAF159R99	4P																																																																																																																																																																																																																																																																																																																																																																																																																																																																																																																																																																																																																																																																																																																																																																																																																																																																																			
							0.63	41009	2268	171	1.20										0.70	37140	2054	171	1.30								0.79	32927	1821	171	1.50	GK129R89 GKF129R89 GKA129R89 GKAF129R89	4P								0.9	29021	1605	171	1.70								1.0	25224	1395	171	1.95								1.2	21626	1196	171	2.30								0.84	30811	1704	135	1.00	GK129R79 GKF129R79 GKA129R79 GKAF129R79	4P								1.0	25459	1408	135	1.20								1.1	23434	1296	135	1.35								1.3	19908	1101	135	1.55	GK109R79 GKF109R79 GKA109R79 GKAF109R79	4P								1.5	17069	944	135	1.85								1.7	15261	844	135	2.10								1.9	13688	757	135	2.30								1.2	22222	1229	104	0.80	GK109R79 GKF109R79 GKA109R79 GKAF109R79	4P								1.3	19763	1093	105	0.90								1.5	17033	942	107	1.05								1.7	15424	853	108	1.15								1.9	13670	756	108	1.30								2.5	10252	567	109	1.75								2.8	9113	504	110	1.95								2.7	9746	539	77	1.30								3.0	8607	476	77	1.50								3.4	7594	420	77	1.70								3.9	6654	368	78	1.95								4.3	5985	331	78	2.15								5.0	5189	287	78	2.45								1.8	14284	790	73	0.90								2.0	12729	704	75	1.00								2.3	11030	610	76	1.20								2.6	9927	549	77	1.30								3.0	8625	477	77	1.50								3.4	7576	419	77	1.75								3.1	8336	461	62	0.95								3.5	7377	408	62	1.05								3.9	6582	364	62	1.20								4.5	5750	318	62	1.40								5.0	5171	286	62	1.55								5.7	4538	251	62	1.75								6.4	4014	222	62	2.00								7.3	3544	196	62	2.25																																																																																																																																																																																																																																																																																																																																																																																							
							0.70	37140	2054	171	1.30																																																																																																																																																																																																																																																																																																																																																																																																																																																																																																																																																																																																																																																																																																																																																																																																																																																																																					
							0.79	32927	1821	171	1.50	GK129R89 GKF129R89 GKA129R89 GKAF129R89	4P																																																																																																																																																																																																																																																																																																																																																																																																																																																																																																																																																																																																																																																																																																																																																																																																																																																																																			
							0.9	29021	1605	171	1.70										1.0	25224	1395	171	1.95								1.2	21626	1196	171	2.30								0.84	30811	1704	135	1.00	GK129R79 GKF129R79 GKA129R79 GKAF129R79	4P								1.0	25459	1408	135	1.20								1.1	23434	1296	135	1.35								1.3	19908	1101	135	1.55	GK109R79 GKF109R79 GKA109R79 GKAF109R79	4P								1.5	17069	944	135	1.85								1.7	15261	844	135	2.10								1.9	13688	757	135	2.30								1.2	22222	1229	104	0.80	GK109R79 GKF109R79 GKA109R79 GKAF109R79	4P								1.3	19763	1093	105	0.90								1.5	17033	942	107	1.05								1.7	15424	853	108	1.15								1.9	13670	756	108	1.30								2.5	10252	567	109	1.75								2.8	9113	504	110	1.95								2.7	9746	539	77	1.30								3.0	8607	476	77	1.50								3.4	7594	420	77	1.70								3.9	6654	368	78	1.95								4.3	5985	331	78	2.15								5.0	5189	287	78	2.45								1.8	14284	790	73	0.90								2.0	12729	704	75	1.00								2.3	11030	610	76	1.20								2.6	9927	549	77	1.30								3.0	8625	477	77	1.50								3.4	7576	419	77	1.75								3.1	8336	461	62	0.95								3.5	7377	408	62	1.05								3.9	6582	364	62	1.20								4.5	5750	318	62	1.40								5.0	5171	286	62	1.55								5.7	4538	251	62	1.75								6.4	4014	222	62	2.00								7.3	3544	196	62	2.25																																																																																																																																																																																																																																																																																																																																																																																																																													
							1.0	25224	1395	171	1.95																																																																																																																																																																																																																																																																																																																																																																																																																																																																																																																																																																																																																																																																																																																																																																																																																																																																																					
							1.2	21626	1196	171	2.30																																																																																																																																																																																																																																																																																																																																																																																																																																																																																																																																																																																																																																																																																																																																																																																																																																																																																					
							0.84	30811	1704	135	1.00	GK129R79 GKF129R79 GKA129R79 GKAF129R79	4P																																																																																																																																																																																																																																																																																																																																																																																																																																																																																																																																																																																																																																																																																																																																																																																																																																																																																			
							1.0	25459	1408	135	1.20										1.1	23434	1296	135	1.35								1.3	19908	1101	135	1.55	GK109R79 GKF109R79 GKA109R79 GKAF109R79	4P								1.5	17069	944	135	1.85								1.7	15261	844	135	2.10								1.9	13688	757	135	2.30								1.2	22222	1229	104	0.80	GK109R79 GKF109R79 GKA109R79 GKAF109R79	4P								1.3	19763	1093	105	0.90								1.5	17033	942	107	1.05								1.7	15424	853	108	1.15								1.9	13670	756	108	1.30								2.5	10252	567	109	1.75								2.8	9113	504	110	1.95								2.7	9746	539	77	1.30								3.0	8607	476	77	1.50								3.4	7594	420	77	1.70								3.9	6654	368	78	1.95								4.3	5985	331	78	2.15								5.0	5189	287	78	2.45								1.8	14284	790	73	0.90								2.0	12729	704	75	1.00								2.3	11030	610	76	1.20								2.6	9927	549	77	1.30								3.0	8625	477	77	1.50								3.4	7576	419	77	1.75								3.1	8336	461	62	0.95								3.5	7377	408	62	1.05								3.9	6582	364	62	1.20								4.5	5750	318	62	1.40								5.0	5171	286	62	1.55								5.7	4538	251	62	1.75								6.4	4014	222	62	2.00								7.3	3544	196	62	2.25																																																																																																																																																																																																																																																																																																																																																																																																																																																																															
							1.1	23434	1296	135	1.35																																																																																																																																																																																																																																																																																																																																																																																																																																																																																																																																																																																																																																																																																																																																																																																																																																																																																					
							1.3	19908	1101	135	1.55	GK109R79 GKF109R79 GKA109R79 GKAF109R79	4P																																																																																																																																																																																																																																																																																																																																																																																																																																																																																																																																																																																																																																																																																																																																																																																																																																																																																			
							1.5	17069	944	135	1.85										1.7	15261	844	135	2.10								1.9	13688	757	135	2.30								1.2	22222	1229	104	0.80	GK109R79 GKF109R79 GKA109R79 GKAF109R79	4P								1.3	19763	1093	105	0.90								1.5	17033	942	107	1.05								1.7	15424	853	108	1.15								1.9	13670	756	108	1.30								2.5	10252	567	109	1.75								2.8	9113	504	110	1.95								2.7	9746	539	77	1.30								3.0	8607	476	77	1.50								3.4	7594	420	77	1.70								3.9	6654	368	78	1.95								4.3	5985	331	78	2.15								5.0	5189	287	78	2.45								1.8	14284	790	73	0.90								2.0	12729	704	75	1.00								2.3	11030	610	76	1.20								2.6	9927	549	77	1.30								3.0	8625	477	77	1.50								3.4	7576	419	77	1.75								3.1	8336	461	62	0.95								3.5	7377	408	62	1.05								3.9	6582	364	62	1.20								4.5	5750	318	62	1.40								5.0	5171	286	62	1.55								5.7	4538	251	62	1.75								6.4	4014	222	62	2.00								7.3	3544	196	62	2.25																																																																																																																																																																																																																																																																																																																																																																																																																																																																																																																					
							1.7	15261	844	135	2.10																																																																																																																																																																																																																																																																																																																																																																																																																																																																																																																																																																																																																																																																																																																																																																																																																																																																																					
							1.9	13688	757	135	2.30																																																																																																																																																																																																																																																																																																																																																																																																																																																																																																																																																																																																																																																																																																																																																																																																																																																																																					
							1.2	22222	1229	104	0.80	GK109R79 GKF109R79 GKA109R79 GKAF109R79	4P																																																																																																																																																																																																																																																																																																																																																																																																																																																																																																																																																																																																																																																																																																																																																																																																																																																																																			
							1.3	19763	1093	105	0.90										1.5	17033	942	107	1.05								1.7	15424	853	108	1.15								1.9	13670	756	108	1.30								2.5	10252	567	109	1.75								2.8	9113	504	110	1.95								2.7	9746	539	77	1.30								3.0	8607	476	77	1.50								3.4	7594	420	77	1.70								3.9	6654	368	78	1.95								4.3	5985	331	78	2.15								5.0	5189	287	78	2.45								1.8	14284	790	73	0.90								2.0	12729	704	75	1.00								2.3	11030	610	76	1.20								2.6	9927	549	77	1.30								3.0	8625	477	77	1.50								3.4	7576	419	77	1.75								3.1	8336	461	62	0.95								3.5	7377	408	62	1.05								3.9	6582	364	62	1.20								4.5	5750	318	62	1.40								5.0	5171	286	62	1.55								5.7	4538	251	62	1.75								6.4	4014	222	62	2.00								7.3	3544	196	62	2.25																																																																																																																																																																																																																																																																																																																																																																																																																																																																																																																																																																							
							1.5	17033	942	107	1.05																																																																																																																																																																																																																																																																																																																																																																																																																																																																																																																																																																																																																																																																																																																																																																																																																																																																																					
							1.7	15424	853	108	1.15																																																																																																																																																																																																																																																																																																																																																																																																																																																																																																																																																																																																																																																																																																																																																																																																																																																																																					
							1.9	13670	756	108	1.30																																																																																																																																																																																																																																																																																																																																																																																																																																																																																																																																																																																																																																																																																																																																																																																																																																																																																					
							2.5	10252	567	109	1.75																																																																																																																																																																																																																																																																																																																																																																																																																																																																																																																																																																																																																																																																																																																																																																																																																																																																																					
							2.8	9113	504	110	1.95																																																																																																																																																																																																																																																																																																																																																																																																																																																																																																																																																																																																																																																																																																																																																																																																																																																																																					
							2.7	9746	539	77	1.30																																																																																																																																																																																																																																																																																																																																																																																																																																																																																																																																																																																																																																																																																																																																																																																																																																																																																					
							3.0	8607	476	77	1.50																																																																																																																																																																																																																																																																																																																																																																																																																																																																																																																																																																																																																																																																																																																																																																																																																																																																																					
							3.4	7594	420	77	1.70																																																																																																																																																																																																																																																																																																																																																																																																																																																																																																																																																																																																																																																																																																																																																																																																																																																																																					
							3.9	6654	368	78	1.95																																																																																																																																																																																																																																																																																																																																																																																																																																																																																																																																																																																																																																																																																																																																																																																																																																																																																					
							4.3	5985	331	78	2.15																																																																																																																																																																																																																																																																																																																																																																																																																																																																																																																																																																																																																																																																																																																																																																																																																																																																																					
							5.0	5189	287	78	2.45																																																																																																																																																																																																																																																																																																																																																																																																																																																																																																																																																																																																																																																																																																																																																																																																																																																																																					
							1.8	14284	790	73	0.90																																																																																																																																																																																																																																																																																																																																																																																																																																																																																																																																																																																																																																																																																																																																																																																																																																																																																					
							2.0	12729	704	75	1.00																																																																																																																																																																																																																																																																																																																																																																																																																																																																																																																																																																																																																																																																																																																																																																																																																																																																																					
							2.3	11030	610	76	1.20																																																																																																																																																																																																																																																																																																																																																																																																																																																																																																																																																																																																																																																																																																																																																																																																																																																																																					
							2.6	9927	549	77	1.30																																																																																																																																																																																																																																																																																																																																																																																																																																																																																																																																																																																																																																																																																																																																																																																																																																																																																					
							3.0	8625	477	77	1.50																																																																																																																																																																																																																																																																																																																																																																																																																																																																																																																																																																																																																																																																																																																																																																																																																																																																																					
							3.4	7576	419	77	1.75																																																																																																																																																																																																																																																																																																																																																																																																																																																																																																																																																																																																																																																																																																																																																																																																																																																																																					
							3.1	8336	461	62	0.95																																																																																																																																																																																																																																																																																																																																																																																																																																																																																																																																																																																																																																																																																																																																																																																																																																																																																					
							3.5	7377	408	62	1.05																																																																																																																																																																																																																																																																																																																																																																																																																																																																																																																																																																																																																																																																																																																																																																																																																																																																																					
							3.9	6582	364	62	1.20																																																																																																																																																																																																																																																																																																																																																																																																																																																																																																																																																																																																																																																																																																																																																																																																																																																																																					
							4.5	5750	318	62	1.40																																																																																																																																																																																																																																																																																																																																																																																																																																																																																																																																																																																																																																																																																																																																																																																																																																																																																					
							5.0	5171	286	62	1.55																																																																																																																																																																																																																																																																																																																																																																																																																																																																																																																																																																																																																																																																																																																																																																																																																																																																																					
							5.7	4538	251	62	1.75																																																																																																																																																																																																																																																																																																																																																																																																																																																																																																																																																																																																																																																																																																																																																																																																																																																																																					
							6.4	4014	222	62	2.00																																																																																																																																																																																																																																																																																																																																																																																																																																																																																																																																																																																																																																																																																																																																																																																																																																																																																					
							7.3	3544	196	62	2.25																																																																																																																																																																																																																																																																																																																																																																																																																																																																																																																																																																																																																																																																																																																																																																																																																																																																																					

**选型参数表
(恒功率)**
**Selection Table
(Constant Power)**

n_a [r/min]	M_a [N.m]	i	F_{Ra} [kN]	f_B	机型号 Type size	极数 Pole	n_a [r/min]	M_a [N.m]	i	F_{Ra} [kN]	f_B	机型号 Type size	极数 Pole	
3kW							3kW							
8.2	3146	174	62	2.55	GK109R79	4P	32	844	44.32	9.0	0.90	GK69 GKF69 GKA69 GKAF69	4P	
9.3	2785	154	62	2.85	GKF109R79		37	731	38.39	10	1.00			
10	2531	140	62	3.15	GKA109R79		40	678	35.61	11	1.15			
					GKAF109R79		47	575	30.21	11	1.35			
5.5	4665	258	38	0.90	GK99R59	4P	52	519	27.27	11	1.45			GKAF69
6.2	4195	232	38	1.00	GKF99R59		60	457	23.99	12	1.65			
7.2	3598	199	38	1.20	GKA99R59									
					GKAF99R59									
4.9	5500	143.47	62	1.40	GK109	8P	63	431	22.66	12	1.70	GK69 GKF69 GKA69 GKAF69	4P	
5.8	4656	121.46	62	1.65	GKF109		74	367	19.29	12	1.95			
6.3	4309	112.41	62	1.80	GKA109		82	334	17.53	12	2.10			
7.0	3862	100.75	62	2.00	GKAF109		94	289	15.19	12	2.20			
7.8	3487	90.96	62	2.20			108	252	13.22	12	2.50			
						115	238	12.48	12	2.10				
						135	202	10.63	12	2.30				
						148	184	9.66	12	2.40				
6.7	4068	143.47	62	1.85	GK109	6P	47	576	30.28	6.8	0.95	GK59 GKF59 GKA59 GKAF59	4P	
7.9	3444	121.46	62	2.20	GKF109		52	520	27.34	6.8	1.05			
8.5	3187	112.41	62	2.30	GKA109		59	458	24.05	6.8	1.20			
9.5	2856	100.75	62	2.60	GKAF109									
					GK109	4P	63	432	22.71	6.8	1.30	GK59 GKF59 GKA59 GKAF59	4P	
10	2731	143.47	62	2.70	GKF109		74	368	19.34	6.7	1.45			
					GKA109	81	334	17.57	6.7	1.55				
					GKAF109	94	290	15.22	6.5	1.70				
7.7	3514	123.93	38	1.15	GK99	6P	108	252	13.25	6.4	1.90			
9.1	2981	105.13	38	1.35	GKF99		120	227	11.92	6.1	1.70			
9.9	2744	96.80	38	1.45	GKA99		127	214	11.26	6.1	1.80			
11	2453	86.52	38	1.65	GKAF99		149	183	9.59	5.9	2.10			
8.1	3351	176.05	38	1.20	GK99	4P	164	166	8.71	5.8	2.20			
9.3	2916	153.21	38	1.35	GKF99		189	144	7.55	5.6	2.40			
10	2670	140.28	38	1.50	GKA99		218	125	6.57	5.5	2.60			
12	2359	123.93	38	1.70	GKAF99									
14	2001	105.13	38	2.00										
15	1842	96.80	38	2.20	GK99	4P	73	373	19.58	4.2	1.00	GK49 GKF49 GKA49 GKAF49	4P	
17	1647	86.52	38	2.40	GKF99		85	321	16.86	4.3	1.10			
18	1482	77.89	38	2.70	GKA99		90	302	15.86	4.3	1.15			
20	1343	70.54	38	3.00	GKAF99									
23	1191	62.55	38	3.40			105	260	13.65	4.3	1.30			
25	1076	56.55	38	3.70			117	232	12.19	4.3	1.40			
9.7	2804	147.33	26	0.90	GK89	4P	121	224	11.77	4.2	1.15	GK49 GKF49 GKA49 GKAF49	4P	
11	2416	126.91	26	1.05	GKF89		135	201	10.56	4.1	1.30			
12	2204	115.82	26	1.15	GKA89		157	173	9.10	4.1	1.50			
14	1955	102.71	27	1.30	GKAF89		167	163	8.56	4.1	1.55			
							194	140	7.36	4.0	1.65			
						217	125	6.58	3.9	1.80				
17	1643	86.34	27	1.55		254	107	5.62	3.8	1.95				
18	1510	79.34	27	1.65										
20	1341	70.46	27	1.85	GK89	4P	160	170	8.91	1.9	0.90	GK39 GKF39 GKA39 GKAF39	4P	
23	1199	63.00	27	2.10	GKF89		180	152	7.96	1.9	0.95			
25	1078	56.64	27	2.30	GKA89		210	129	6.80	2.0	1.10			
29	936	49.16	27	2.70	GKAF89		224	121	6.37	2.0	1.10			
32	838	44.02	27	2.90			267	102	5.36	2.0	1.30			
39	695	36.52	27	3.30										
16	1687	88.61	12	0.85		4P	4kW							
18	1480	77.76	14	0.95	GK79		1.7	19991	835	171	2.50	GK189R109	4P	
19	1403	73.69	15	1.00	GKF79		2.8	12449	520	171	4.00	GKA189R109		
22	1227	64.49	16	1.15	GKA79		0.57	60308	2519	152	0.80	GK189R99 GKA189R99	4P	
25	1106	58.10	17	1.30	GKAF79		0.63	54299	2268	162	0.90			
28	970	50.97	17	1.50			0.70	49175	2054	170	1.00			
							0.79	43597	1821	171	1.10			
32	856	44.98	18	1.70	GK79		0.9	38426	1605	171	1.25			
36	759	39.88	18	1.90	GKF79	1.0	33398	1395	171	1.45				
41	667	35.05	18	2.20	GKA79	1.2	28634	1196	171	1.70				
46	585	30.76	18	2.50	GKAF79									

选型参数表
(恒功率)
Selection Table
(Constant Power)

n_a [r/min]	M_a [N.m]	i	F_{Ra} [kN]	f_B	机型号 Type size	极数 Pole	n_a [r/min]	M_a [N.m]	i	F_{Ra} [kN]	f_B	机型号 Type size	极数 Pole																																																																																																																																																																																																																																																																																																																																																																																								
4kW							4kW																																																																																																																																																																																																																																																																																																																																																																																														
1.4	25043	1046	171	1.95	GK189R99	4P	10	3616	143.47	62	2.10	GK109 GKF109 GKA109 GKAF109	4P																																																																																																																																																																																																																																																																																																																																																																																								
1.5	22625	945	171	2.20	GKA189R99		1.0	33709	1408	135	0.90			GK169R99 GKA169R99	12	3061	121.46	62	2.50	1.1	31028	1296	135	1.00	1.3	26359	1101	135	1.20	1.5	22601	944	135	1.40	1.7	20206	844	135	1.55	1.9	18124	757	135	1.75	2.3	15131	632	135	2.10	2.0	1847	73.30	62	4.10	1.7	20422	853	105	0.85	GK159R99 GKF159R99 GKA159R99 GKAF159R99	9.4	3861	153.21	38	1.05	1.9	18100	756	106	1.00	2.5	13575	567	108	1.30	2.9	12066	504	109	1.45	3.3	10391	434	109	1.70	1.7	12904	539	75	1.00	GK129R89 GKF129R89 GKA129R89 GKAF129R89	10	3535	140.28	38	1.15	3.0	11396	476	76	1.15	3.4	10055	420	77	1.30	3.9	8810	368	77	1.45	4.4	7925	331	77	1.65	5.0	6871	287	78	1.90	5.7	6081	254	78	2.15	12	2919	115.82	25	0.85	2.4	14604	610	72	0.90	GK129R79 GKF129R79 GKA129R79 GKAF129R79	14	2588	102.71	26	1.00	2.6	13144	549	75	1.00	3.0	11420	477	76	1.15	3.4	10031	419	76	1.30	4.0	8715	364	62	0.90	4.5	7613	318	62	1.05	GK109R79 GKF109R79 GKA109R79 GKAF109R79	17	2176	86.34	26	1.15	5.0	6847	286	62	1.15	5.7	6009	251	62	1.35	6.5	5315	222	62	1.50	7.3	4692	196	62	1.70	8.3	4166	174	62	1.90	9.4	3687	154	62	2.15	10	3352	140	62	2.40	18	1999	79.34	27	1.25	7.2	4764	199	38	0.90	GK99R59 GKF99R59 GKA99R59 GKAF99R59	20	1776	70.46	27	1.40	5.3	6862	136.14	78	1.80	5.9	6173	122.48	78	2.00	6.5	5553	110.18	78	2.20	6.6	5146	146.07	78	2.20	GK89 GKF89 GKA89 GKAF89	23	1588	63.00	27	1.60	7.1	4630	136.14	78	2.40	7.8	4165	122.48	78	2.70	8.7	4249	110.18	78	3.00	6.4	5666	112.41	62	1.35	GK79 GKF79 GKA79 GKAF79	25	1427	56.64	27	1.75	7.1	5078	100.75	62	1.50	7.9	4585	90.96	62	1.65	8.7	4164	82.61	62	1.85	6.7	5423	143.47	62	1.40	GK69 GKF69 GKA69 GKAF69	29	1239	49.16	27	2.00	7.9	4591	121.46	62	1.65	8.5	4249	112.41	62	1.80	9.5	3809	100.75	62	2.00	11	3438	90.96	62	2.20	48	761	30.21	10	1.00	53	687	27.27	10	1.10	60	605	23.99	11	1.25	64	571	22.66	11	1.30	75	486	19.29	12	1.45	82	442	17.53	12	1.55	95	383	15.19	12	1.70	109	333	13.22	12	1.90	115	315	12.48	12	1.60	135	268	10.63	12	1.75	149	243	9.66	12	1.85	172	211	8.37	12	1.95	198	183	7.28	11	2.10		
1.0	33709	1408	135	0.90	GK169R99 GKA169R99	12	3061	121.46	62	2.50	1.1				31028	1296	135	1.00	1.3	26359	1101	135	1.20	1.5	22601	944	135	1.40	1.7	20206	844	135	1.55	1.9	18124	757	135	1.75	2.3	15131	632	135	2.10	2.0	1847	73.30	62	4.10	1.7	20422	853	105	0.85	GK159R99 GKF159R99 GKA159R99 GKAF159R99	9.4	3861	153.21	38	1.05		1.9	18100	756	106	1.00	2.5	13575	567	108	1.30	2.9	12066	504	109	1.45	3.3	10391	434	109	1.70	1.7	12904	539	75	1.00	GK129R89 GKF129R89 GKA129R89 GKAF129R89	10	3535	140.28	38		1.15	3.0	11396	476	76	1.15	3.4	10055	420	77	1.30	3.9	8810	368	77	1.45	4.4	7925	331	77	1.65	5.0	6871	287	78	1.90	5.7	6081	254	78	2.15	12	2919	115.82	25	0.85	2.4	14604	610	72	0.90	GK129R79 GKF129R79 GKA129R79 GKAF129R79	14	2588	102.71		26	1.00	2.6	13144	549	75	1.00	3.0	11420	477	76	1.15	3.4	10031	419	76	1.30	4.0	8715	364	62	0.90	4.5	7613	318	62	1.05	GK109R79 GKF109R79 GKA109R79 GKAF109R79	17	2176		86.34	26	1.15	5.0	6847	286	62	1.15	5.7	6009	251	62	1.35	6.5	5315	222	62	1.50	7.3	4692	196	62	1.70	8.3	4166	174	62	1.90	9.4	3687	154	62	2.15	10	3352	140	62	2.40	18	1999	79.34	27	1.25	7.2	4764	199	38	0.90	GK99R59 GKF99R59 GKA99R59 GKAF99R59	20		1776	70.46	27	1.40	5.3	6862	136.14	78	1.80	5.9	6173	122.48	78	2.00	6.5	5553	110.18	78	2.20	6.6	5146	146.07	78	2.20	GK89 GKF89 GKA89 GKAF89		23	1588	63.00	27	1.60	7.1	4630	136.14	78	2.40	7.8	4165	122.48	78	2.70	8.7	4249	110.18	78	3.00	6.4	5666	112.41	62	1.35		GK79 GKF79 GKA79 GKAF79	25	1427	56.64	27	1.75	7.1	5078	100.75	62	1.50	7.9	4585	90.96	62	1.65	8.7	4164	82.61	62	1.85	6.7	5423	143.47	62		1.40	GK69 GKF69 GKA69 GKAF69	29	1239	49.16	27	2.00	7.9	4591	121.46	62	1.65	8.5	4249	112.41	62	1.80	9.5	3809	100.75	62	2.00	11	3438	90.96	62	2.20	48	761	30.21	10	1.00	53	687	27.27	10	1.10	60	605	23.99	11	1.25	64	571	22.66	11	1.30	75	486	19.29	12	1.45	82	442	17.53	12	1.55	95	383	15.19	12	1.70	109	333	13.22	12	1.90	115	315	12.48	12	1.60	135	268	10.63	12	1.75	149	243	9.66	12	1.85	172	211	8.37	12	1.95	198	183	7.28	11	2.10
1.1	31028	1296	135	1.00		1.3	26359	1101	135	1.20	1.5				22601	944	135	1.40	1.7	20206	844	135	1.55	1.9	18124	757	135	1.75	2.3	15131	632	135	2.10	2.0	1847	73.30	62	4.10	1.7	20422	853	105	0.85	GK159R99 GKF159R99 GKA159R99 GKAF159R99	9.4	3861	153.21	38	1.05	1.9	18100	756	106		1.00	2.5	13575	567	108		1.30	2.9	12066	504	109	1.45	3.3	10391	434	109	1.70	1.7	12904	539	75	1.00	GK129R89 GKF129R89 GKA129R89 GKAF129R89	10	3535	140.28	38	1.15	3.0	11396	476		76	1.15	3.4	10055		420	77	1.30	3.9	8810	368	77	1.45	4.4	7925	331	77	1.65	5.0	6871	287	78	1.90	5.7	6081	254	78	2.15	12	2919	115.82	25	0.85	2.4	14604	610	72	0.90	GK129R79 GKF129R79 GKA129R79 GKAF129R79	14	2588	102.71	26	1.00	2.6	13144		549	75	1.00		3.0	11420	477	76	1.15	3.4	10031	419	76	1.30	4.0	8715	364	62	0.90	4.5	7613	318	62	1.05	GK109R79 GKF109R79 GKA109R79 GKAF109R79	17	2176	86.34	26	1.15	5.0		6847	286		62	1.15	5.7	6009	251	62	1.35	6.5	5315	222	62	1.50	7.3	4692	196	62	1.70	8.3	4166	174	62	1.90	9.4	3687	154	62	2.15	10	3352	140	62	2.40	18	1999	79.34	27	1.25	7.2	4764	199	38	0.90	GK99R59 GKF99R59 GKA99R59 GKAF99R59	20	1776	70.46	27	1.40		5.3		6862	136.14	78	1.80	5.9	6173	122.48	78	2.00	6.5	5553	110.18	78	2.20	6.6	5146	146.07	78	2.20	GK89 GKF89 GKA89 GKAF89	23	1588	63.00	27			1.60	7.1	4630	136.14	78	2.40	7.8	4165	122.48	78	2.70	8.7	4249	110.18	78	3.00	6.4	5666	112.41	62	1.35	GK79 GKF79 GKA79 GKAF79	25	1427	56.64			27	1.75	7.1	5078	100.75	62	1.50	7.9	4585	90.96	62	1.65	8.7	4164	82.61	62	1.85	6.7	5423	143.47	62	1.40	GK69 GKF69 GKA69 GKAF69	29		1239		49.16	27	2.00	7.9	4591	121.46	62	1.65	8.5	4249	112.41	62	1.80	9.5	3809	100.75	62	2.00	11	3438	90.96	62	2.20	48	761	30.21	10	1.00	53	687	27.27	10	1.10	60	605	23.99	11	1.25	64	571	22.66	11	1.30	75	486	19.29	12	1.45	82	442	17.53	12	1.55	95	383	15.19	12	1.70	109	333	13.22	12	1.90	115	315	12.48	12	1.60	135	268	10.63	12	1.75	149	243	9.66	12	1.85	172	211	8.37	12	1.95	198	183	7.28	11	2.10		
1.3	26359	1101	135	1.20		1.5	22601	944	135	1.40	1.7				20206	844	135	1.55	1.9	18124	757	135	1.75	2.3	15131	632	135	2.10	2.0	1847	73.30	62	4.10	1.7	20422	853	105	0.85	GK159R99 GKF159R99 GKA159R99 GKAF159R99	9.4	3861	153.21	38		1.05	1.9	18100	756	106	1.00	2.5	13575	567		108	1.30	2.9	12066	504		109	1.45	3.3	10391	434	109	1.70	1.7	12904	539	75	1.00	GK129R89 GKF129R89 GKA129R89 GKAF129R89	10	3535	140.28		38	1.15	3.0	11396	476	76	1.15	3.4		10055	420	77	1.30		3.9	8810	368	77	1.45	4.4	7925	331	77	1.65	5.0	6871	287	78	1.90	5.7	6081	254	78	2.15	12	2919	115.82	25	0.85	2.4	14604	610	72	0.90	GK129R79 GKF129R79 GKA129R79 GKAF129R79	14	2588		102.71	26	1.00	2.6	13144	549	75		1.00	3.0	11420		477	76	1.15	3.4	10031	419	76	1.30	4.0	8715	364	62	0.90	4.5	7613	318	62	1.05	GK109R79 GKF109R79 GKA109R79 GKAF109R79	17		2176	86.34	26	1.15	5.0	6847		286	62		1.15	5.7	6009	251	62	1.35	6.5	5315	222	62	1.50	7.3	4692	196	62	1.70	8.3	4166	174	62	1.90	9.4	3687	154	62	2.15	10	3352	140	62	2.40	18	1999	79.34	27	1.25	7.2	4764	199	38	0.90	GK99R59 GKF99R59 GKA99R59 GKAF99R59		20	1776	70.46	27	1.40		5.3		6862	136.14	78	1.80	5.9	6173	122.48	78	2.00	6.5	5553	110.18	78	2.20	6.6	5146	146.07	78	2.20		GK89 GKF89 GKA89 GKAF89	23	1588	63.00			27	1.60	7.1	4630	136.14	78	2.40	7.8	4165	122.48	78	2.70	8.7	4249	110.18	78	3.00	6.4	5666	112.41	62		1.35	GK79 GKF79 GKA79 GKAF79	25			1427	56.64	27	1.75	7.1	5078	100.75	62	1.50	7.9	4585	90.96	62	1.65	8.7	4164	82.61	62	1.85	6.7	5423	143.47		62		1.40		GK69 GKF69 GKA69 GKAF69	29	1239	49.16	27	2.00	7.9	4591	121.46	62	1.65	8.5	4249	112.41	62	1.80	9.5	3809	100.75	62	2.00	11	3438	90.96	62	2.20	48	761	30.21	10	1.00	53	687	27.27	10	1.10	60	605	23.99	11	1.25	64	571	22.66	11	1.30	75	486	19.29	12	1.45	82	442	17.53	12	1.55	95	383	15.19	12	1.70	109	333	13.22	12	1.90	115	315	12.48	12	1.60	135	268	10.63	12	1.75	149	243	9.66	12	1.85	172	211	8.37	12	1.95	198	183	7.28	11
1.5	22601	944	135	1.40		1.7	20206	844	135	1.55	1.9				18124	757	135	1.75	2.3	15131	632	135	2.10	2.0	1847	73.30	62	4.10	1.7	20422	853	105	0.85	GK159R99 GKF159R99 GKA159R99 GKAF159R99	9.4	3861	153.21	38		1.05	1.9	18100	756		106	1.00	2.5	13575	567	108	1.30	2.9	12066		504	109	1.45	3.3	10391		434	109	1.70	1.7	12904	539	75	1.00	GK129R89 GKF129R89 GKA129R89 GKAF129R89	10	3535	140.28		38	1.15	3.0		11396	476	76	1.15	3.4	10055	420	77		1.30	3.9	8810	368		77	1.45	4.4	7925	331	77	1.65	5.0	6871	287	78	1.90	5.7	6081	254	78	2.15	12	2919	115.82	25	0.85	2.4	14604	610	72	0.90	GK129R79 GKF129R79 GKA129R79 GKAF129R79	14	2588		102.71	26		1.00	2.6	13144	549	75	1.00	3.0		11420	477	76		1.15	3.4	10031	419	76	1.30	4.0	8715	364	62	0.90	4.5	7613	318	62	1.05	GK109R79 GKF109R79 GKA109R79 GKAF109R79	17		2176		86.34	26	1.15	5.0	6847	286		62	1.15		5.7	6009	251	62	1.35	6.5	5315	222	62	1.50	7.3	4692	196	62	1.70	8.3	4166	174	62	1.90	9.4	3687	154	62	2.15	10	3352	140	62	2.40	18	1999	79.34	27	1.25	7.2	4764	199	38	0.90	GK99R59 GKF99R59 GKA99R59 GKAF99R59			20	1776	70.46	27	1.40		5.3		6862	136.14	78	1.80	5.9	6173	122.48	78	2.00	6.5	5553	110.18	78	2.20	6.6	5146	146.07	78	2.20			GK89 GKF89 GKA89 GKAF89	23	1588		63.00	27	1.60	7.1	4630	136.14	78	2.40	7.8	4165	122.48	78	2.70	8.7	4249	110.18	78	3.00	6.4	5666	112.41	62		1.35		GK79 GKF79 GKA79 GKAF79			25	1427	56.64	27	1.75	7.1	5078	100.75	62	1.50	7.9	4585	90.96	62	1.65	8.7	4164	82.61	62	1.85	6.7	5423		143.47		62			1.40	GK69 GKF69 GKA69 GKAF69	29	1239	49.16	27	2.00	7.9	4591	121.46	62	1.65	8.5	4249	112.41	62	1.80	9.5	3809	100.75	62	2.00	11	3438	90.96	62	2.20	48	761	30.21	10	1.00	53	687	27.27	10	1.10	60	605	23.99	11	1.25	64	571	22.66	11	1.30	75	486	19.29	12	1.45	82	442	17.53	12	1.55	95	383	15.19	12	1.70	109	333	13.22	12	1.90	115	315	12.48	12	1.60	135	268	10.63	12	1.75	149	243	9.66	12	1.85	172	211	8.37	12	1.95	198	183
1.7	20206	844	135	1.55		1.9	18124	757	135	1.75	2.3				15131	632	135	2.10	2.0	1847	73.30	62	4.10	1.7	20422	853	105	0.85	GK159R99 GKF159R99 GKA159R99 GKAF159R99	9.4	3861	153.21	38		1.05	1.9	18100	756		106	1.00	2.5	13575		567	108	1.30	2.9	12066	504	109	1.45	3.3		10391	434	109	1.70	1.7	12904	539	75	1.00	GK129R89 GKF129R89 GKA129R89 GKAF129R89	10	3535	140.28	38		1.15	3.0	11396		476	76	1.15		3.4	10055	420	77	1.30	3.9	8810	368		77	1.45	4.4	7925		331	77	1.65	5.0	6871	287	78	1.90	5.7	6081	254	78	2.15	12	2919	115.82	25	0.85	2.4	14604	610	72	0.90	GK129R79 GKF129R79 GKA129R79 GKAF129R79	14	2588	102.71		26	1.00		2.6	13144		549	75	1.00	3.0	11420	477	76		1.15	3.4	10031	419	76	1.30	4.0	8715	364	62	0.90	4.5	7613	318	62	1.05	GK109R79 GKF109R79 GKA109R79 GKAF109R79	17	2176	86.34		26		1.15		5.0	6847	286	62	1.15	5.7		6009	251		62	1.35	6.5	5315	222	62	1.50	7.3	4692	196	62	1.70	8.3	4166	174	62	1.90	9.4	3687	154	62	2.15	10	3352	140	62	2.40	18	1999	79.34	27	1.25	7.2	4764	199	38	0.90	GK99R59 GKF99R59 GKA99R59 GKAF99R59	20	1776				70.46	27	1.40	5.3	6862		136.14		78	1.80	5.9	6173	122.48	78	2.00	6.5	5553	110.18	78	2.20	6.6	5146	146.07	78	2.20	GK89 GKF89 GKA89 GKAF89	23				1588	63.00	27	1.60	7.1	4630	136.14	78	2.40	7.8	4165	122.48	78	2.70	8.7	4249	110.18	78	3.00	6.4	5666	112.41	62	1.35	GK79 GKF79 GKA79 GKAF79		25					1427	56.64	27	1.75	7.1	5078	100.75	62	1.50	7.9	4585	90.96	62	1.65	8.7	4164	82.61	62	1.85	6.7	5423	143.47		62		1.40			GK69 GKF69 GKA69 GKAF69		29	1239	49.16	27	2.00	7.9	4591	121.46	62	1.65	8.5	4249	112.41	62	1.80	9.5	3809	100.75	62	2.00	11	3438	90.96	62	2.20	48	761	30.21	10	1.00	53	687	27.27	10	1.10	60	605	23.99	11	1.25	64	571	22.66	11	1.30	75	486	19.29	12	1.45	82	442	17.53	12	1.55	95	383	15.19	12	1.70	109	333	13.22	12	1.90	115	315	12.48	12	1.60	135	268	10.63	12	1.75	149	243	9.66	12	1.85	172	211	8.37	12	1.95	198	183
1.9	18124	757	135	1.75		2.3	15131	632	135	2.10	2.0				1847	73.30	62	4.10	1.7	20422	853	105	0.85	GK159R99 GKF159R99 GKA159R99 GKAF159R99	9.4	3861	153.21	38		1.05	1.9	18100	756		106	1.00	2.5	13575		567	108	1.30	2.9		12066	504	109	1.45	3.3	10391	434	109	1.70	1.7	12904	539	75	1.00	GK129R89 GKF129R89 GKA129R89 GKAF129R89	10	3535	140.28	38		1.15	3.0	11396	476		76	1.15	3.4		10055	420	77		1.30	3.9	8810	368	77	1.45	4.4	7925		331	77	1.65	5.0		6871	287	78	1.90	5.7	6081	254	78	2.15	12	2919	115.82	25	0.85	2.4	14604	610	72	0.90	GK129R79 GKF129R79 GKA129R79 GKAF129R79	14	2588	102.71		26	1.00	2.6		13144	549		75	1.00		3.0	11420	477	76	1.15	3.4	10031	419	76	1.30	4.0	8715	364	62	0.90	4.5	7613	318	62	1.05	GK109R79 GKF109R79 GKA109R79 GKAF109R79	17	2176	86.34		26	1.15	5.0		6847		286		62	1.15	5.7	6009	251	62		1.35	6.5		5315	222	62	1.50	7.3	4692	196	62	1.70	8.3	4166	174	62	1.90	9.4	3687	154	62	2.15	10	3352	140	62	2.40	18	1999	79.34	27	1.25	7.2	4764	199	38	0.90	GK99R59 GKF99R59 GKA99R59 GKAF99R59	20	1776		70.46	27				1.40	5.3	6862	136.14	78		1.80		5.9	6173	122.48	78	2.00	6.5	5553	110.18	78	2.20	6.6	5146	146.07	78	2.20	GK89 GKF89 GKA89 GKAF89	23		1588	63.00			27	1.60	7.1	4630	136.14	78	2.40	7.8	4165	122.48	78	2.70	8.7	4249	110.18	78	3.00	6.4	5666	112.41	62	1.35	GK79 GKF79 GKA79 GKAF79	25			1427					56.64	27	1.75	7.1	5078	100.75	62	1.50	7.9	4585	90.96	62	1.65	8.7	4164	82.61	62	1.85	6.7	5423	143.47	62		1.40		GK69 GKF69 GKA69 GKAF69					29	1239	49.16	27	2.00	7.9	4591	121.46	62	1.65	8.5	4249	112.41	62	1.80	9.5	3809	100.75	62	2.00	11	3438	90.96	62	2.20	48	761	30.21	10	1.00	53	687	27.27	10	1.10	60	605	23.99	11	1.25	64	571	22.66	11	1.30	75	486	19.29	12	1.45	82	442	17.53	12	1.55	95	383	15.19	12	1.70	109	333	13.22	12	1.90	115	315	12.48	12	1.60	135	268	10.63	12	1.75	149	243	9.66	12	1.85	172	211	8.37	12	1.95	198	183
2.3	15131	632	135	2.10		2.0	1847	73.30	62	4.10	1.7				20422	853	105	0.85	GK159R99 GKF159R99 GKA159R99 GKAF159R99	9.4	3861	153.21	38		1.05	1.9	18100	756		106	1.00	2.5	13575		567	108	1.30	2.9		12066	504	109	1.45	3.3	10391	434	109	1.70	1.7	12904	539	75	1.00	GK129R89 GKF129R89 GKA129R89 GKAF129R89	10	3535	140.28	38		1.15	3.0	11396	476		76	1.15	3.4	10055		420	77	1.30		3.9	8810	368		77	1.45	4.4	7925	331	77	1.65	5.0		6871	287	78	1.90		5.7	6081	254	78	2.15	12	2919	115.82	25	0.85	2.4	14604	610	72	0.90	GK129R79 GKF129R79 GKA129R79 GKAF129R79	14	2588	102.71		26	1.00	2.6		13144	549	75		1.00	3.0		11420	477	76	1.15	3.4	10031	419	76	1.30	4.0	8715	364	62	0.90	4.5	7613	318	62	1.05	GK109R79 GKF109R79 GKA109R79 GKAF109R79	17	2176	86.34		26	1.15	5.0		6847	286	62		1.15		5.7		6009	251	62	1.35	6.5	5315		222	62		1.50	7.3	4692	196	62	1.70	8.3	4166	174	62	1.90	9.4	3687	154	62	2.15	10	3352	140	62	2.40	18	1999	79.34	27	1.25	7.2	4764	199	38	0.90	GK99R59 GKF99R59 GKA99R59 GKAF99R59	20	1776		70.46	27		1.40	5.3				6862	136.14	78	1.80	5.9		6173		122.48	78	2.00	6.5	5553	110.18	78	2.20	6.6	5146	146.07	78	2.20	GK89 GKF89 GKA89 GKAF89	23		1588		63.00	27	1.60		7.1	4630	136.14	78	2.40	7.8	4165	122.48	78	2.70	8.7	4249	110.18	78	3.00	6.4	5666	112.41	62	1.35	GK79 GKF79 GKA79 GKAF79	25		1427			56.64					27	1.75	7.1	5078	100.75	62	1.50	7.9	4585	90.96	62	1.65	8.7	4164	82.61	62	1.85	6.7	5423	143.47	62	1.40		GK69 GKF69 GKA69 GKAF69							29	1239	49.16	27	2.00	7.9	4591	121.46	62	1.65	8.5	4249	112.41	62	1.80	9.5	3809	100.75	62	2.00	11	3438	90.96	62	2.20	48	761	30.21	10	1.00	53	687	27.27	10	1.10	60	605	23.99	11	1.25	64	571	22.66	11	1.30	75	486	19.29	12	1.45	82	442	17.53	12	1.55	95	383	15.19	12	1.70	109	333	13.22	12	1.90	115	315	12.48	12	1.60	135	268	10.63	12	1.75	149	243	9.66	12	1.85	172	211	8.37	12	1.95	198	183
2.0	1847	73.30	62	4.10		1.7	20422	853	105	0.85	GK159R99 GKF159R99 GKA159R99 GKAF159R99			9.4	3861	153.21	38	1.05		1.9	18100	756	106		1.00	2.5	13575	567		108	1.30	2.9	12066		504	109	1.45	3.3	10391	434	109	1.70	1.7	12904	539	75	1.00	GK129R89 GKF129R89 GKA129R89 GKAF129R89	10	3535	140.28	38	1.15		3.0	11396	476	76		1.15	3.4	10055	420		77	1.30	3.9	8810		368	77	1.45		4.4	7925	331		77	1.65	5.0	6871	287	78	1.90	5.7		6081	254	78	2.15	12	2919	115.82	25	0.85	2.4	14604	610	72	0.90	GK129R79 GKF129R79 GKA129R79 GKAF129R79	14	2588	102.71	26	1.00		2.6	13144	549		75	1.00	3.0		11420	477	76		1.15	3.4	10031	419	76	1.30	4.0	8715	364	62	0.90	4.5	7613	318	62	1.05	GK109R79 GKF109R79 GKA109R79 GKAF109R79	17	2176	86.34	26	1.15		5.0	6847	286		62	1.15	5.7		6009	251	62		1.35		6.5		5315	222	62	1.50	7.3	4692		196	62		1.70	8.3	4166	174	62	1.90	9.4	3687	154	62	2.15	10	3352	140	62	2.40	18	1999	79.34	27	1.25	7.2	4764	199	38	0.90	GK99R59 GKF99R59 GKA99R59 GKAF99R59	20	1776	70.46	27		1.40	5.3		6862	136.14		78	1.80				5.9	6173	122.48	78	2.00		6.5	5553	110.18	78	2.20	6.6	5146	146.07	78	2.20	GK89 GKF89 GKA89 GKAF89	23	1588	63.00	27		1.60		7.1		4630	136.14	78	2.40	7.8	4165	122.48	78	2.70	8.7	4249	110.18	78	3.00	6.4	5666	112.41	62	1.35	GK79 GKF79 GKA79 GKAF79	25	1427	56.64	27		1.75		7.1			5078					100.75	62	1.50	7.9	4585	90.96	62	1.65	8.7	4164	82.61	62	1.85	6.7	5423	143.47	62	1.40	GK69 GKF69 GKA69 GKAF69	29	1239	49.16			27						2.00	7.9	4591	121.46	62	1.65	8.5	4249	112.41	62	1.80	9.5	3809	100.75	62	2.00	11	3438	90.96	62	2.20	48	761	30.21	10	1.00	53	687	27.27	10	1.10	60	605	23.99	11	1.25	64	571	22.66	11	1.30	75	486	19.29	12	1.45	82	442	17.53	12	1.55	95	383	15.19	12	1.70	109	333	13.22	12	1.90	115	315	12.48	12	1.60	135	268	10.63	12	1.75	149	243	9.66	12	1.85	172	211	8.37	12	1.95	198	183	7.28	11	2.10	
1.7	20422	853	105	0.85	GK159R99 GKF159R99 GKA159R99 GKAF159R99	9.4	3861	153.21	38	1.05		1.9	18100	756	106	1.00	2.5	13575		567	108	1.30	2.9		12066	504	109	1.45		3.3	10391	434	109	1.70	1.7	12904	539	75	1.00	GK129R89 GKF129R89 GKA129R89 GKAF129R89	10	3535	140.28	38	1.15	3.0	11396		476	76	1.15	3.4	10055		420	77	1.30	3.9		8810	368	77	1.45		4.4	7925	331	77		1.65	5.0	6871		287	78	1.90		5.7	6081	254	78	2.15	12	2919	115.82	25	0.85	2.4	14604	610	72	0.90	GK129R79 GKF129R79 GKA129R79 GKAF129R79	14	2588	102.71	26	1.00	2.6	13144		549	75	1.00	3.0	11420		477	76	1.15		3.4	10031	419		76	1.30	4.0	8715	364	62	0.90	4.5	7613	318	62	1.05	GK109R79 GKF109R79 GKA109R79 GKAF109R79	17	2176	86.34	26	1.15	5.0	6847		286	62	1.15	5.7	6009		251	62	1.35		6.5	5315	222		62	1.50	7.3		4692		196		62	1.70	8.3	4166	174	62		1.90	9.4		3687	154	62	2.15	10	3352	140	62	2.40	18	1999	79.34	27	1.25	7.2	4764	199	38	0.90	GK99R59 GKF99R59 GKA99R59 GKAF99R59	20	1776	70.46	27	1.40	5.3		6862	136.14	78	1.80		5.9	6173		122.48	78		2.00	6.5				5553	110.18	78	2.20	6.6	5146	146.07	78	2.20	GK89 GKF89 GKA89 GKAF89	23	1588	63.00	27	1.60	7.1		4630	136.14	78	2.40		7.8		4165	122.48	78	2.70	8.7	4249	110.18	78	3.00	6.4	5666	112.41	62	1.35	GK79 GKF79 GKA79 GKAF79	25	1427	56.64	27	1.75	7.1		5078	100.75	62	1.50		7.9		4585			90.96					62	1.65	8.7	4164	82.61	62	1.85	6.7	5423	143.47	62	1.40	GK69 GKF69 GKA69 GKAF69	29	1239	49.16	27	2.00		7.9	4591	121.46			62		1.65				8.5	4249	112.41	62	1.80	9.5	3809	100.75	62	2.00	11	3438	90.96	62	2.20	48	761	30.21	10	1.00	53	687	27.27	10	1.10	60	605	23.99	11	1.25	64	571	22.66	11	1.30	75	486	19.29	12	1.45	82	442	17.53	12	1.55	95	383	15.19	12	1.70	109	333	13.22	12	1.90	115	315	12.48	12	1.60	135	268	10.63	12	1.75	149	243	9.66	12	1.85	172	211	8.37	12	1.95	198	183	7.28	11	2.10							
1.9	18100	756	106	1.00		2.5	13575	567	108	1.30		2.9	12066	504	109	1.45	3.3	10391		434	109	1.70	1.7		12904	539	75	1.00	GK129R89 GKF129R89 GKA129R89 GKAF129R89	10	3535	140.28	38	1.15	3.0	11396	476	76	1.15		3.4	10055	420	77	1.30	3.9	8810		368	77	1.45	4.4	7925		331	77	1.65	5.0		6871	287	78	1.90		5.7	6081	254	78		2.15	12	2919		115.82	25	0.85	2.4	14604	610	72	0.90	GK129R79 GKF129R79 GKA129R79 GKAF129R79	14	2588	102.71	26	1.00	2.6	13144	549	75	1.00		3.0	11420	477	76	1.15	3.4	10031		419	76	1.30	4.0	8715		364	62	0.90		4.5	7613	318	62	1.05	GK109R79 GKF109R79 GKA109R79 GKAF109R79	17	2176	86.34	26	1.15	5.0	6847	286	62	1.15		5.7	6009	251	62	1.35	6.5	5315		222	62	1.50	7.3	4692		196	62	1.70		8.3	4166	174		62	1.90	9.4		3687		154		62	2.15	10	3352	140	62		2.40	18	1999	79.34	27	1.25	7.2	4764	199	38	0.90	GK99R59 GKF99R59 GKA99R59 GKAF99R59	20	1776	70.46	27	1.40	5.3	6862	136.14	78	1.80		5.9	6173	122.48	78	2.00	6.5		5553	110.18	78	2.20		6.6	5146		146.07	78		2.20	GK89 GKF89 GKA89 GKAF89			23	1588	63.00	27	1.60	7.1	4630	136.14	78	2.40		7.8	4165	122.48	78	2.70	8.7		4249	110.18	78	3.00		6.4	5666	112.41	62	1.35	GK79 GKF79 GKA79 GKAF79	25	1427	56.64	27	1.75	7.1	5078	100.75	62	1.50		7.9	4585	90.96	62	1.65	8.7		4164	82.61	62	1.85		6.7		5423			143.47			62		1.40	GK69 GKF69 GKA69 GKAF69	29	1239	49.16	27	2.00	7.9	4591	121.46	62	1.65		8.5	4249	112.41	62	1.80		9.5	3809	100.75	62		2.00		11				3438	90.96	62	2.20	48	761	30.21	10	1.00	53	687	27.27	10	1.10	60	605	23.99	11	1.25	64	571	22.66	11	1.30	75	486	19.29	12	1.45	82	442	17.53	12	1.55	95	383	15.19	12	1.70	109	333	13.22	12	1.90	115	315	12.48	12	1.60	135	268	10.63	12	1.75	149	243	9.66	12	1.85	172	211	8.37	12	1.95	198	183	7.28	11	2.10																		
2.5	13575	567	108	1.30		2.9	12066	504	109	1.45		3.3	10391	434	109	1.70	1.7	12904		539	75	1.00	GK129R89 GKF129R89 GKA129R89 GKAF129R89	10	3535	140.28	38	1.15		3.0	11396	476	76	1.15	3.4	10055	420	77	1.30		3.9	8810	368	77	1.45	4.4	7925		331	77	1.65	5.0	6871		287	78	1.90	5.7		6081	254	78	2.15		12	2919	115.82	25		0.85	2.4	14604	610	72	0.90	GK129R79 GKF129R79 GKA129R79 GKAF129R79	14	2588	102.71	26	1.00		2.6	13144	549	75	1.00	3.0	11420	477	76	1.15		3.4	10031	419	76	1.30	4.0	8715		364	62	0.90	4.5	7613		318	62	1.05	GK109R79 GKF109R79 GKA109R79 GKAF109R79	17	2176	86.34	26	1.15		5.0	6847	286	62	1.15	5.7	6009	251	62	1.35		6.5	5315	222	62	1.50	7.3	4692		196	62	1.70	8.3	4166		174	62	1.90		9.4	3687	154		62	2.15	10		3352		140		62	2.40	18	1999	79.34	27	1.25	7.2	4764	199	38	0.90	GK99R59 GKF99R59 GKA99R59 GKAF99R59	20	1776	70.46	27	1.40		5.3	6862	136.14	78	1.80	5.9	6173	122.48	78	2.00		6.5	5553	110.18	78	2.20	6.6		5146	146.07	78	2.20		GK89 GKF89 GKA89 GKAF89	23		1588	63.00		27			1.60	7.1	4630	136.14	78	2.40	7.8	4165	122.48	78	2.70		8.7	4249	110.18	78	3.00	6.4		5666	112.41	62	1.35	GK79 GKF79 GKA79 GKAF79	25	1427	56.64	27	1.75		7.1	5078	100.75	62	1.50	7.9	4585	90.96	62	1.65		8.7	4164	82.61	62	1.85	6.7		5423	143.47	62	1.40		GK69 GKF69 GKA69 GKAF69		29			1239			49.16	27	2.00		7.9	4591	121.46	62	1.65	8.5	4249	112.41	62	1.80		9.5	3809	100.75	62	2.00		11	3438	90.96	62		2.20		48	761			30.21	10	1.00	53	687	27.27	10	1.10	60	605	23.99	11	1.25	64	571	22.66	11	1.30	75	486	19.29	12	1.45	82	442	17.53	12	1.55	95	383	15.19	12	1.70	109	333	13.22	12	1.90	115	315	12.48	12	1.60	135	268	10.63	12	1.75	149	243	9.66	12	1.85	172	211	8.37	12	1.95	198	183	7.28	11	2.10																								
2.9	12066	504	109	1.45		3.3	10391	434	109	1.70		1.7	12904	539	75	1.00	GK129R89 GKF129R89 GKA129R89 GKAF129R89	10	3535	140.28	38	1.15		3.0	11396	476	76	1.15		3.4	10055	420	77	1.30	3.9	8810	368	77	1.45		4.4	7925	331	77	1.65	5.0	6871		287	78	1.90	5.7	6081		254	78	2.15	12		2919	115.82	25	0.85		2.4	14604	610	72	0.90	GK129R79 GKF129R79 GKA129R79 GKAF129R79	14	2588	102.71	26	1.00		2.6	13144	549	75	1.00		3.0	11420	477	76	1.15	3.4	10031	419	76	1.30		4.0	8715	364	62	0.90	4.5	7613		318	62	1.05	GK109R79 GKF109R79 GKA109R79 GKAF109R79	17	2176	86.34	26	1.15		5.0	6847	286	62	1.15		5.7	6009	251	62	1.35	6.5	5315	222	62	1.50		7.3	4692	196	62	1.70	8.3	4166		174	62	1.90	9.4	3687		154	62	2.15		10	3352	140		62	2.40	18		1999		79.34	27	1.25	7.2	4764	199	38	0.90	GK99R59 GKF99R59 GKA99R59 GKAF99R59	20	1776	70.46	27	1.40		5.3	6862	136.14	78	1.80		5.9	6173	122.48	78	2.00	6.5	5553	110.18	78	2.20		6.6	5146	146.07	78	2.20	GK89 GKF89 GKA89 GKAF89		23	1588	63.00	27			1.60		7.1	4630		136.14		78	2.40	7.8	4165	122.48	78	2.70	8.7	4249	110.18	78	3.00		6.4	5666	112.41	62	1.35	GK79 GKF79 GKA79 GKAF79	25	1427	56.64	27	1.75		7.1	5078	100.75	62	1.50		7.9	4585	90.96	62	1.65	8.7	4164	82.61	62	1.85		6.7	5423	143.47	62	1.40	GK69 GKF69 GKA69 GKAF69		29	1239	49.16	27				2.00		7.9	4591			121.46	62	1.65		8.5	4249	112.41	62	1.80	9.5	3809	100.75	62	2.00		11	3438	90.96	62	2.20		48	761	30.21	10		1.00		53	687		27.27	10	1.10	60	605	23.99	11	1.25	64	571	22.66	11	1.30	75	486	19.29	12	1.45	82	442	17.53	12	1.55	95	383	15.19	12	1.70	109	333	13.22	12	1.90	115	315	12.48	12	1.60	135	268	10.63	12	1.75	149	243	9.66	12	1.85	172	211	8.37	12	1.95	198	183	7.28	11	2.10																														
3.3	10391	434	109	1.70		1.7	12904	539	75	1.00	GK129R89 GKF129R89 GKA129R89 GKAF129R89	10	3535	140.28	38	1.15		3.0	11396	476	76	1.15		3.4	10055	420	77	1.30		3.9	8810	368	77	1.45	4.4	7925	331	77	1.65		5.0	6871	287	78	1.90	5.7	6081		254	78	2.15	12	2919		115.82	25	0.85	2.4		14604	610	72	0.90	GK129R79 GKF129R79 GKA129R79 GKAF129R79	14	2588	102.71	26	1.00		2.6	13144	549	75	1.00		3.0	11420	477	76	1.15		3.4	10031	419	76	1.30	4.0	8715	364	62	0.90		4.5	7613	318	62	1.05	GK109R79 GKF109R79 GKA109R79 GKAF109R79	17	2176	86.34	26	1.15		5.0	6847	286	62	1.15		5.7	6009	251	62	1.35		6.5	5315	222	62	1.50	7.3	4692	196	62	1.70		8.3	4166	174	62	1.90	9.4	3687		154	62	2.15	10	3352		140	62	2.40		18	1999	79.34		27	1.25	7.2		4764	199	38	0.90	GK99R59 GKF99R59 GKA99R59 GKAF99R59	20	1776	70.46	27	1.40		5.3	6862	136.14	78	1.80		5.9	6173	122.48	78	2.00		6.5	5553	110.18	78	2.20	6.6	5146	146.07	78	2.20		GK89 GKF89 GKA89 GKAF89	23	1588	63.00	27			1.60	7.1	4630	136.14			78		2.40	7.8	4165	122.48		78	2.70	8.7	4249	110.18	78	3.00	6.4	5666	112.41	62	1.35	GK79 GKF79 GKA79 GKAF79	25	1427	56.64	27	1.75		7.1	5078	100.75	62	1.50		7.9	4585	90.96	62	1.65		8.7	4164	82.61	62	1.85	6.7	5423	143.47	62	1.40		GK69 GKF69 GKA69 GKAF69	29	1239	49.16	27			2.00	7.9	4591	121.46				62		1.65	8.5	4249		112.41	62	1.80		9.5	3809	100.75	62	2.00	11	3438	90.96	62	2.20		48	761	30.21	10	1.00		53	687	27.27	10		1.10		60	605	23.99	11	1.25	64	571	22.66	11	1.30	75	486	19.29	12	1.45	82	442	17.53	12	1.55	95	383	15.19	12	1.70	109	333	13.22	12	1.90	115	315	12.48	12	1.60	135	268	10.63	12	1.75	149	243	9.66	12	1.85	172	211	8.37	12	1.95	198	183	7.28	11	2.10																																				
1.7	12904	539	75	1.00	GK129R89 GKF129R89 GKA129R89 GKAF129R89	10	3535	140.28	38	1.15		3.0	11396	476	76	1.15		3.4	10055	420	77	1.30		3.9	8810	368	77	1.45		4.4	7925	331	77	1.65	5.0	6871	287	78	1.90		5.7	6081	254	78	2.15	12	2919		115.82	25	0.85	2.4	14604		610	72	0.90	GK129R79 GKF129R79 GKA129R79 GKAF129R79	14	2588	102.71	26	1.00		2.6	13144	549	75	1.00		3.0	11420	477	76	1.15		3.4	10031	419	76	1.30		4.0	8715	364	62	0.90	4.5	7613	318	62	1.05	GK109R79 GKF109R79 GKA109R79 GKAF109R79	17	2176	86.34	26	1.15		5.0	6847	286	62	1.15		5.7	6009	251	62	1.35		6.5	5315	222	62	1.50		7.3	4692	196	62	1.70	8.3	4166	174	62	1.90		9.4	3687	154	62	2.15	10	3352		140	62	2.40	18	1999		79.34	27	1.25		7.2	4764	199		38	0.90	GK99R59 GKF99R59 GKA99R59 GKAF99R59	20	1776	70.46	27	1.40		5.3	6862	136.14	78	1.80		5.9	6173	122.48	78	2.00		6.5	5553	110.18	78	2.20		6.6	5146	146.07	78	2.20	GK89 GKF89 GKA89 GKAF89	23	1588	63.00	27			1.60	7.1	4630	136.14			78	2.40	7.8	4165			122.48	78	2.70	8.7	4249	110.18	78	3.00	6.4	5666	112.41	62	1.35	GK79 GKF79 GKA79 GKAF79	25	1427	56.64	27	1.75		7.1	5078	100.75	62	1.50		7.9	4585	90.96	62	1.65		8.7	4164	82.61	62	1.85		6.7	5423	143.47	62	1.40	GK69 GKF69 GKA69 GKAF69	29	1239	49.16	27			2.00	7.9	4591	121.46			62	1.65	8.5	4249				112.41		62	1.80	9.5	3809	100.75	62	2.00		11	3438	90.96	62	2.20	48	761	30.21	10	1.00		53	687	27.27	10	1.10		60	605	23.99	11		1.25	64	571	22.66	11	1.30	75	486	19.29	12	1.45	82	442	17.53	12	1.55	95	383	15.19	12	1.70	109	333	13.22	12	1.90	115	315	12.48	12	1.60	135	268	10.63	12	1.75	149	243	9.66	12	1.85	172	211	8.37	12	1.95	198	183	7.28	11	2.10																																										
3.0	11396	476	76	1.15		3.4	10055	420	77	1.30		3.9	8810	368	77	1.45		4.4	7925	331	77	1.65		5.0	6871	287	78	1.90		5.7	6081	254	78	2.15	12	2919	115.82	25	0.85		2.4	14604	610	72	0.90	GK129R79 GKF129R79 GKA129R79 GKAF129R79	14		2588	102.71	26	1.00	2.6	13144	549	75	1.00		3.0	11420	477	76	1.15		3.4	10031	419	76	1.30		4.0	8715	364	62	0.90		4.5	7613	318	62	1.05	GK109R79 GKF109R79 GKA109R79 GKAF109R79	17	2176	86.34	26	1.15	5.0	6847	286	62	1.15		5.7	6009	251	62	1.35		6.5	5315	222	62	1.50		7.3	4692	196	62	1.70		8.3	4166	174	62	1.90		9.4	3687	154	62	2.15	10	3352	140	62	2.40		18	1999	79.34	27	1.25	7.2	4764		199	38	0.90	GK99R59 GKF99R59 GKA99R59 GKAF99R59	20		1776	70.46	27		1.40	5.3	6862	136.14	78	1.80		5.9	6173	122.48	78	2.00		6.5	5553	110.18	78	2.20		6.6	5146	146.07	78	2.20		GK89 GKF89 GKA89 GKAF89	23	1588	63.00	27		1.60	7.1	4630	136.14	78		2.40	7.8	4165	122.48			78	2.70	8.7	4249			110.18	78	3.00	6.4	5666	112.41	62	1.35	GK79 GKF79 GKA79 GKAF79	25	1427	56.64	27	1.75	7.1	5078	100.75	62	1.50		7.9	4585	90.96	62	1.65		8.7	4164	82.61	62	1.85		6.7	5423	143.47	62	1.40		GK69 GKF69 GKA69 GKAF69	29	1239	49.16	27		2.00	7.9	4591	121.46	62		1.65	8.5	4249	112.41			62	1.80	9.5	3809			100.75	62	2.00	11				3438	90.96	62	2.20	48	761	30.21	10	1.00		53	687	27.27	10	1.10	60	605	23.99	11	1.25		64	571	22.66	11	1.30		75	486	19.29	12	1.45	82	442	17.53	12	1.55	95	383	15.19	12	1.70	109	333	13.22	12	1.90	115	315	12.48	12	1.60	135	268	10.63	12	1.75	149	243	9.66	12	1.85	172	211	8.37	12	1.95	198	183	7.28	11	2.10																																																					
3.4	10055	420	77	1.30		3.9	8810	368	77	1.45		4.4	7925	331	77	1.65		5.0	6871	287	78	1.90		5.7	6081	254	78	2.15		12	2919	115.82	25	0.85	2.4	14604	610	72	0.90		GK129R79 GKF129R79 GKA129R79 GKAF129R79	14	2588	102.71	26		1.00	2.6	13144	549	75	1.00	3.0	11420	477	76	1.15		3.4	10031	419	76	1.30		4.0	8715	364	62	0.90		4.5	7613	318	62	1.05	GK109R79 GKF109R79 GKA109R79 GKAF109R79	17	2176	86.34	26	1.15		5.0	6847	286	62	1.15	5.7	6009	251	62	1.35		6.5	5315	222	62	1.50		7.3	4692	196	62	1.70		8.3	4166	174	62	1.90		9.4	3687	154	62	2.15		10	3352	140	62	2.40	18	1999	79.34	27	1.25		7.2	4764	199	38	0.90	GK99R59 GKF99R59 GKA99R59 GKAF99R59	20		1776	70.46	27		1.40		5.3	6862	136.14	78	1.80	5.9	6173	122.48	78	2.00		6.5	5553	110.18	78	2.20		6.6	5146	146.07	78	2.20		GK89 GKF89 GKA89 GKAF89	23	1588	63.00	27			1.60	7.1	4630	136.14		78	2.40	7.8	4165	122.48		78	2.70	8.7	4249			110.18	78	3.00	6.4	5666	112.41	62	1.35	GK79 GKF79 GKA79 GKAF79	25	1427	56.64	27	1.75		7.1	5078	100.75	62	1.50	7.9	4585	90.96	62	1.65		8.7	4164	82.61	62	1.85		6.7	5423	143.47	62	1.40		GK69 GKF69 GKA69 GKAF69	29	1239	49.16	27			2.00	7.9	4591	121.46		62	1.65	8.5	4249	112.41		62	1.80	9.5	3809			100.75	62	2.00	11			3438	90.96	62	2.20			48	761	30.21	10	1.00	53	687	27.27	10	1.10		60	605	23.99	11	1.25	64	571	22.66	11	1.30		75	486	19.29	12	1.45	82	442	17.53	12	1.55	95	383	15.19	12	1.70	109	333	13.22	12	1.90	115	315	12.48	12	1.60	135	268	10.63	12	1.75	149	243	9.66	12	1.85	172	211	8.37	12	1.95	198	183	7.28	11	2.10																																																											
3.9	8810	368	77	1.45		4.4	7925	331	77	1.65		5.0	6871	287	78	1.90		5.7	6081	254	78	2.15		12	2919	115.82	25	0.85		2.4	14604	610	72	0.90	GK129R79 GKF129R79 GKA129R79 GKAF129R79	14	2588	102.71	26	1.00		2.6	13144	549	75		1.00	3.0	11420	477	76	1.15	3.4	10031	419	76	1.30		4.0	8715	364	62	0.90		4.5	7613	318	62	1.05	GK109R79 GKF109R79 GKA109R79 GKAF109R79	17	2176	86.34	26	1.15		5.0	6847	286	62	1.15		5.7	6009	251	62	1.35	6.5	5315	222	62	1.50		7.3	4692	196	62	1.70		8.3	4166	174	62	1.90		9.4	3687	154	62	2.15		10	3352	140	62	2.40		18	1999	79.34	27	1.25	7.2	4764	199	38	0.90		GK99R59 GKF99R59 GKA99R59 GKAF99R59	20	1776	70.46	27		1.40		5.3	6862	136.14		78	1.80	5.9	6173	122.48	78	2.00	6.5	5553	110.18	78	2.20		6.6	5146	146.07	78	2.20		GK89 GKF89 GKA89 GKAF89	23	1588	63.00	27			1.60	7.1	4630	136.14			78	2.40	7.8	4165		122.48	78	2.70	8.7	4249		110.18	78	3.00	6.4	5666	112.41	62	1.35	GK79 GKF79 GKA79 GKAF79	25	1427	56.64	27	1.75		7.1	5078	100.75	62	1.50		7.9	4585	90.96	62	1.65	8.7	4164	82.61	62	1.85		6.7	5423	143.47	62	1.40		GK69 GKF69 GKA69 GKAF69	29	1239	49.16	27			2.00	7.9	4591	121.46			62	1.65	8.5	4249		112.41	62	1.80	9.5	3809		100.75	62	2.00	11			3438	90.96	62	2.20			48	761	30.21	10	1.00		53	687	27.27	10	1.10	60	605	23.99	11	1.25		64	571	22.66	11	1.30	75	486	19.29	12	1.45	82	442	17.53	12	1.55	95	383	15.19	12	1.70	109	333	13.22	12	1.90	115	315	12.48	12	1.60	135	268	10.63	12	1.75	149	243	9.66	12	1.85	172	211	8.37	12	1.95	198	183	7.28	11	2.10																																																																	
4.4	7925	331	77	1.65		5.0	6871	287	78	1.90		5.7	6081	254	78	2.15		12	2919	115.82	25	0.85		2.4	14604	610	72	0.90	GK129R79 GKF129R79 GKA129R79 GKAF129R79	14	2588	102.71	26	1.00		2.6	13144	549	75	1.00		3.0	11420	477	76		1.15	3.4	10031	419	76	1.30	4.0	8715	364	62	0.90		4.5	7613	318	62	1.05	GK109R79 GKF109R79 GKA109R79 GKAF109R79	17	2176	86.34	26	1.15		5.0	6847	286	62	1.15		5.7	6009	251	62	1.35		6.5	5315	222	62	1.50	7.3	4692	196	62	1.70		8.3	4166	174	62	1.90		9.4	3687	154	62	2.15		10	3352	140	62	2.40		18	1999	79.34	27	1.25		7.2	4764	199	38	0.90	GK99R59 GKF99R59 GKA99R59 GKAF99R59	20	1776	70.46	27			1.40	5.3	6862	136.14		78	1.80	5.9	6173	122.48		78	2.00	6.5	5553	110.18	78	2.20	6.6	5146	146.07	78	2.20		GK89 GKF89 GKA89 GKAF89	23	1588	63.00	27			1.60	7.1	4630	136.14			78	2.40	7.8	4165			122.48	78	2.70	8.7	4249	110.18	78	3.00	6.4	5666	112.41	62	1.35	GK79 GKF79 GKA79 GKAF79	25	1427	56.64	27	1.75		7.1	5078	100.75	62	1.50		7.9	4585	90.96	62	1.65		8.7	4164	82.61	62	1.85	6.7	5423	143.47	62	1.40		GK69 GKF69 GKA69 GKAF69	29	1239	49.16	27			2.00	7.9	4591	121.46			62	1.65	8.5	4249			112.41	62	1.80	9.5		3809	100.75	62	2.00	11		3438	90.96	62	2.20			48	761	30.21	10		1.00	53	687	27.27	10	1.10		60	605	23.99	11	1.25	64	571	22.66	11	1.30	75	486	19.29	12	1.45	82	442	17.53	12	1.55	95	383	15.19	12	1.70	109	333	13.22	12	1.90	115	315	12.48	12	1.60	135	268	10.63	12	1.75	149	243	9.66	12	1.85	172	211	8.37	12	1.95	198	183	7.28	11	2.10																																																																							
5.0	6871	287	78	1.90		5.7	6081	254	78	2.15		12	2919	115.82	25	0.85		2.4	14604	610	72	0.90	GK129R79 GKF129R79 GKA129R79 GKAF129R79	14	2588	102.71	26	1.00		2.6	13144	549	75	1.00		3.0	11420	477	76	1.15		3.4	10031	419	76		1.30	4.0	8715	364	62	0.90	4.5	7613	318	62	1.05	GK109R79 GKF109R79 GKA109R79 GKAF109R79	17	2176	86.34	26	1.15		5.0	6847	286	62	1.15		5.7	6009	251	62	1.35		6.5	5315	222	62	1.50		7.3	4692	196	62	1.70	8.3	4166	174	62	1.90		9.4	3687	154	62	2.15		10	3352	140	62	2.40		18	1999	79.34	27	1.25		7.2	4764	199	38	0.90		GK99R59 GKF99R59 GKA99R59 GKAF99R59	20	1776	70.46	27		1.40	5.3	6862	136.14	78		1.80	5.9	6173	122.48		78	2.00	6.5	5553	110.18		78	2.20	6.6	5146	146.07	78	2.20	GK89 GKF89 GKA89 GKAF89	23	1588	63.00	27			1.60	7.1	4630	136.14			78	2.40	7.8	4165			122.48	78	2.70	8.7	4249	110.18	78	3.00	6.4	5666	112.41	62	1.35	GK79 GKF79 GKA79 GKAF79	25	1427	56.64	27	1.75		7.1	5078	100.75	62	1.50		7.9	4585	90.96	62	1.65		8.7	4164	82.61	62	1.85		6.7	5423	143.47	62	1.40	GK69 GKF69 GKA69 GKAF69	29	1239	49.16	27			2.00	7.9	4591	121.46			62	1.65	8.5	4249			112.41	62	1.80	9.5			3809	100.75	62	2.00		11	3438	90.96	62	2.20		48	761	30.21	10	1.00		53	687	27.27	10		1.10	60	605	23.99	11	1.25	64	571	22.66	11	1.30	75	486	19.29	12	1.45	82	442	17.53	12	1.55	95	383	15.19	12	1.70	109	333	13.22	12	1.90	115	315	12.48	12	1.60	135	268	10.63	12	1.75	149	243	9.66	12	1.85	172	211	8.37	12	1.95	198	183	7.28	11	2.10																																																																													
5.7	6081	254	78	2.15		12	2919	115.82	25	0.85		2.4	14604	610	72	0.90	GK129R79 GKF129R79 GKA129R79 GKAF129R79	14	2588	102.71	26	1.00		2.6	13144	549	75	1.00		3.0	11420	477	76	1.15		3.4	10031	419	76	1.30		4.0	8715	364	62	0.90	4.5	7613	318	62	1.05	GK109R79 GKF109R79 GKA109R79 GKAF109R79	17	2176	86.34	26	1.15		5.0	6847	286	62	1.15		5.7	6009	251	62	1.35		6.5	5315	222	62	1.50		7.3	4692	196	62	1.70		8.3	4166	174	62	1.90	9.4	3687	154	62	2.15		10	3352	140	62	2.40		18	1999	79.34	27	1.25		7.2	4764	199	38	0.90		GK99R59 GKF99R59 GKA99R59 GKAF99R59	20	1776	70.46	27	1.40		5.3	6862	136.14	78		1.80	5.9	6173	122.48	78		2.00	6.5	5553	110.18		78	2.20	6.6	5146	146.07		78	2.20	GK89 GKF89 GKA89 GKAF89	23	1588	63.00	27		1.60	7.1	4630	136.14			78	2.40	7.8	4165			122.48	78	2.70	8.7	4249	110.18	78	3.00	6.4	5666	112.41	62	1.35	GK79 GKF79 GKA79 GKAF79	25	1427	56.64	27	1.75		7.1	5078	100.75	62	1.50		7.9	4585	90.96	62	1.65		8.7	4164	82.61	62	1.85		6.7	5423	143.47	62	1.40		GK69 GKF69 GKA69 GKAF69	29	1239	49.16	27		2.00	7.9	4591	121.46			62	1.65	8.5	4249			112.41	62	1.80	9.5			3809	100.75	62	2.00			11	3438	90.96	62	2.20	48	761	30.21	10	1.00		53	687	27.27	10	1.10		60	605	23.99	11	1.25	64	571	22.66	11	1.30	75	486	19.29	12	1.45	82	442	17.53	12	1.55	95	383	15.19	12	1.70	109	333	13.22	12	1.90	115	315	12.48	12	1.60	135	268	10.63	12	1.75	149	243	9.66	12	1.85	172	211	8.37	12	1.95	198	183	7.28	11	2.10																																																																																			
12	2919	115.82	25	0.85		2.4	14604	610	72	0.90	GK129R79 GKF129R79 GKA129R79 GKAF129R79	14	2588	102.71	26	1.00		2.6	13144	549	75	1.00		3.0	11420	477	76	1.15		3.4	10031	419	76	1.30		4.0	8715	364	62	0.90	4.5	7613	318	62	1.05	GK109R79 GKF109R79 GKA109R79 GKAF109R79	17	2176	86.34	26	1.15		5.0	6847	286	62	1.15		5.7	6009	251	62	1.35		6.5	5315	222	62	1.50		7.3	4692	196	62	1.70		8.3	4166	174	62	1.90		9.4	3687	154	62	2.15	10	3352	140	62	2.40		18	1999	79.34	27	1.25		7.2	4764	199	38	0.90		GK99R59 GKF99R59 GKA99R59 GKAF99R59	20	1776	70.46	27	1.40		5.3	6862	136.14	78	1.80		5.9	6173	122.48	78		2.00	6.5	5553	110.18	78		2.20	6.6	5146	146.07		78	2.20	GK89 GKF89 GKA89 GKAF89	23	1588		63.00	27		1.60	7.1	4630	136.14		78	2.40	7.8	4165			122.48	78	2.70	8.7	4249	110.18	78	3.00	6.4	5666	112.41	62	1.35	GK79 GKF79 GKA79 GKAF79	25	1427	56.64	27	1.75		7.1	5078	100.75	62	1.50		7.9	4585	90.96	62	1.65		8.7	4164	82.61	62	1.85		6.7	5423	143.47	62	1.40		GK69 GKF69 GKA69 GKAF69	29	1239	49.16	27			2.00	7.9	4591	121.46		62	1.65	8.5	4249			112.41	62	1.80	9.5			3809	100.75	62	2.00			11	3438	90.96	62	2.20		48	761	30.21	10	1.00	53	687	27.27	10	1.10		60	605	23.99	11	1.25	64	571	22.66	11	1.30	75	486	19.29	12	1.45	82	442	17.53	12	1.55	95	383	15.19	12	1.70	109	333	13.22	12	1.90	115	315	12.48	12	1.60	135	268	10.63	12	1.75	149	243	9.66	12	1.85	172	211	8.37	12	1.95	198	183	7.28	11	2.10																																																																																									
2.4	14604	610	72	0.90	GK129R79 GKF129R79 GKA129R79 GKAF129R79	14	2588	102.71	26	1.00		2.6	13144	549	75	1.00		3.0	11420	477	76	1.15		3.4	10031	419	76	1.30		4.0	8715	364	62	0.90	4.5	7613	318	62	1.05	GK109R79 GKF109R79 GKA109R79 GKAF109R79	17	2176	86.34	26	1.15		5.0	6847	286	62	1.15		5.7	6009	251	62	1.35		6.5	5315	222	62	1.50		7.3	4692	196	62	1.70		8.3	4166	174	62	1.90		9.4	3687	154	62	2.15		10	3352	140	62	2.40	18	1999	79.34	27	1.25		7.2	4764	199	38	0.90		GK99R59 GKF99R59 GKA99R59 GKAF99R59	20	1776	70.46	27	1.40		5.3	6862	136.14	78	1.80		5.9	6173	122.48	78	2.00		6.5	5553	110.18	78		2.20	6.6	5146	146.07	78		2.20	GK89 GKF89 GKA89 GKAF89	23	1588		63.00	27		1.60	7.1		4630	136.14		78	2.40	7.8	4165		122.48	78	2.70	8.7	4249	110.18	78	3.00	6.4	5666	112.41	62	1.35	GK79 GKF79 GKA79 GKAF79	25	1427	56.64	27	1.75		7.1	5078	100.75	62	1.50		7.9	4585	90.96	62	1.65		8.7	4164	82.61	62	1.85		6.7	5423	143.47	62	1.40		GK69 GKF69 GKA69 GKAF69	29	1239	49.16	27			2.00	7.9	4591	121.46			62	1.65	8.5	4249		112.41	62	1.80	9.5			3809	100.75	62	2.00			11	3438	90.96	62	2.20		48	761	30.21	10	1.00		53	687	27.27	10	1.10	60	605	23.99	11	1.25	64	571	22.66	11	1.30	75	486	19.29	12	1.45	82	442	17.53	12	1.55	95	383	15.19	12	1.70	109	333	13.22	12	1.90	115	315	12.48	12	1.60	135	268	10.63	12	1.75	149	243	9.66	12	1.85	172	211	8.37	12	1.95	198	183	7.28	11	2.10																																																																																															
2.6	13144	549	75	1.00		3.0	11420	477	76	1.15		3.4	10031	419	76	1.30		4.0	8715	364	62	0.90		4.5	7613	318	62	1.05	GK109R79 GKF109R79 GKA109R79 GKAF109R79	17	2176	86.34	26	1.15	5.0	6847	286	62	1.15		5.7	6009	251	62	1.35		6.5	5315	222	62	1.50		7.3	4692	196	62	1.70		8.3	4166	174	62	1.90		9.4	3687	154	62	2.15		10	3352	140	62	2.40		18	1999	79.34	27	1.25		7.2	4764	199	38	0.90	GK99R59 GKF99R59 GKA99R59 GKAF99R59	20	1776	70.46	27		1.40	5.3	6862	136.14	78	1.80		5.9	6173	122.48	78	2.00		6.5	5553	110.18	78	2.20		6.6	5146	146.07	78	2.20		GK89 GKF89 GKA89 GKAF89	23	1588	63.00		27	1.60	7.1	4630	136.14		78		2.40	7.8		4165	122.48		78	2.70	8.7	4249	110.18		78	3.00	6.4	5666	112.41	62	1.35	GK79 GKF79 GKA79 GKAF79	25	1427	56.64	27	1.75	7.1	5078	100.75	62	1.50		7.9	4585	90.96	62	1.65		8.7	4164	82.61	62	1.85		6.7	5423	143.47	62	1.40		GK69 GKF69 GKA69 GKAF69	29	1239	49.16	27		2.00	7.9	4591	121.46	62			1.65	8.5	4249	112.41			62	1.80	9.5	3809			100.75	62	2.00	11		3438	90.96	62	2.20			48	761	30.21	10	1.00		53	687	27.27	10	1.10		60	605	23.99	11	1.25	64	571	22.66	11	1.30	75	486	19.29	12	1.45	82	442	17.53	12	1.55	95	383	15.19	12	1.70	109	333	13.22	12	1.90	115	315	12.48	12	1.60	135	268	10.63	12	1.75	149	243	9.66	12	1.85	172	211	8.37	12	1.95	198	183	7.28	11	2.10																																																																																																										
3.0	11420	477	76	1.15		3.4	10031	419	76	1.30		4.0	8715	364	62	0.90		4.5	7613	318	62	1.05	GK109R79 GKF109R79 GKA109R79 GKAF109R79	17	2176	86.34	26	1.15		5.0	6847	286	62	1.15	5.7	6009	251	62	1.35		6.5	5315	222	62	1.50		7.3	4692	196	62	1.70		8.3	4166	174	62	1.90		9.4	3687	154	62	2.15		10	3352	140	62	2.40		18	1999	79.34	27	1.25		7.2	4764	199	38	0.90		GK99R59 GKF99R59 GKA99R59 GKAF99R59	20	1776	70.46	27		1.40	5.3	6862	136.14	78	1.80	5.9	6173	122.48	78	2.00		6.5	5553	110.18	78	2.20		6.6	5146	146.07	78	2.20		GK89 GKF89 GKA89 GKAF89	23	1588	63.00	27			1.60	7.1	4630		136.14	78	2.40	7.8	4165		122.48		78	2.70	8.7	4249	110.18		78	3.00	6.4	5666	112.41	62	1.35	GK79 GKF79 GKA79 GKAF79	25	1427	56.64	27	1.75		7.1	5078	100.75	62	1.50	7.9	4585	90.96	62	1.65		8.7	4164	82.61	62	1.85		6.7	5423	143.47	62	1.40		GK69 GKF69 GKA69 GKAF69	29	1239	49.16	27			2.00	7.9	4591	121.46		62	1.65	8.5	4249	112.41			62	1.80	9.5	3809			100.75	62	2.00	11			3438	90.96	62	2.20		48	761	30.21	10	1.00		53	687	27.27	10	1.10		60	605	23.99	11	1.25	64	571	22.66	11	1.30	75	486	19.29	12	1.45	82	442	17.53	12	1.55	95	383	15.19	12	1.70	109	333	13.22	12	1.90	115	315	12.48	12	1.60	135	268	10.63	12	1.75	149	243	9.66	12	1.85	172	211	8.37	12	1.95	198	183	7.28	11	2.10																																																																																																																
3.4	10031	419	76	1.30		4.0	8715	364	62	0.90		4.5	7613	318	62	1.05	GK109R79 GKF109R79 GKA109R79 GKAF109R79	17	2176	86.34	26	1.15		5.0	6847	286	62	1.15		5.7	6009	251	62	1.35	6.5	5315	222	62	1.50		7.3	4692	196	62	1.70		8.3	4166	174	62	1.90		9.4	3687	154	62	2.15		10	3352	140	62	2.40		18	1999	79.34	27	1.25		7.2	4764	199	38	0.90		GK99R59 GKF99R59 GKA99R59 GKAF99R59	20	1776	70.46	27	1.40		5.3	6862	136.14	78		1.80	5.9	6173	122.48	78	2.00	6.5	5553	110.18	78	2.20		6.6	5146	146.07	78	2.20		GK89 GKF89 GKA89 GKAF89	23	1588	63.00	27			1.60	7.1	4630	136.14			78	2.40	7.8		4165	122.48	78	2.70	8.7	4249	110.18		78	3.00	6.4	5666	112.41	62	1.35	GK79 GKF79 GKA79 GKAF79	25	1427	56.64	27	1.75		7.1	5078	100.75	62	1.50		7.9	4585	90.96	62	1.65	8.7	4164	82.61	62	1.85		6.7	5423	143.47	62	1.40		GK69 GKF69 GKA69 GKAF69	29	1239	49.16	27			2.00	7.9	4591	121.46			62	1.65	8.5	4249		112.41	62	1.80	9.5	3809			100.75	62	2.00	11			3438	90.96	62	2.20	48		761	30.21	10	1.00		53	687	27.27	10	1.10		60	605	23.99	11	1.25	64	571	22.66	11	1.30	75	486	19.29	12	1.45	82	442	17.53	12	1.55	95	383	15.19	12	1.70	109	333	13.22	12	1.90	115	315	12.48	12	1.60	135	268	10.63	12	1.75	149	243	9.66	12	1.85	172	211	8.37	12	1.95	198	183	7.28	11	2.10																																																																																																																						
4.0	8715	364	62	0.90		4.5	7613	318	62	1.05	GK109R79 GKF109R79 GKA109R79 GKAF109R79	17	2176	86.34	26	1.15		5.0	6847	286	62	1.15		5.7	6009	251	62	1.35		6.5	5315	222	62	1.50	7.3	4692	196	62	1.70		8.3	4166	174	62	1.90		9.4	3687	154	62	2.15		10	3352	140	62	2.40		18	1999	79.34	27	1.25		7.2	4764	199	38	0.90		GK99R59 GKF99R59 GKA99R59 GKAF99R59	20	1776	70.46	27	1.40		5.3	6862	136.14	78	1.80		5.9	6173	122.48	78		2.00	6.5	5553	110.18	78	2.20	6.6	5146	146.07	78	2.20		GK89 GKF89 GKA89 GKAF89	23	1588	63.00	27			1.60	7.1	4630	136.14			78	2.40	7.8	4165			122.48	78	2.70	8.7	4249	110.18	78	3.00	6.4	5666	112.41	62	1.35	GK79 GKF79 GKA79 GKAF79	25	1427	56.64	27	1.75		7.1	5078	100.75	62	1.50		7.9	4585	90.96	62	1.65		8.7	4164	82.61	62	1.85	6.7	5423	143.47	62	1.40		GK69 GKF69 GKA69 GKAF69	29	1239	49.16	27			2.00	7.9	4591	121.46			62	1.65	8.5	4249			112.41	62	1.80	9.5		3809	100.75	62	2.00	11			3438	90.96	62	2.20	48		761	30.21	10	1.00	53		687	27.27	10	1.10		60	605	23.99	11	1.25	64	571	22.66	11	1.30	75	486	19.29	12	1.45	82	442	17.53	12	1.55	95	383	15.19	12	1.70	109	333	13.22	12	1.90	115	315	12.48	12	1.60	135	268	10.63	12	1.75	149	243	9.66	12	1.85	172	211	8.37	12	1.95	198	183	7.28	11	2.10																																																																																																																												
4.5	7613	318	62	1.05	GK109R79 GKF109R79 GKA109R79 GKAF109R79	17	2176	86.34	26	1.15		5.0	6847	286	62	1.15		5.7	6009	251	62	1.35		6.5	5315	222	62	1.50		7.3	4692	196	62	1.70	8.3	4166	174	62	1.90		9.4	3687	154	62	2.15		10	3352	140	62	2.40		18	1999	79.34	27	1.25		7.2	4764	199	38	0.90		GK99R59 GKF99R59 GKA99R59 GKAF99R59	20	1776	70.46	27	1.40		5.3	6862	136.14	78	1.80		5.9	6173	122.48	78	2.00		6.5	5553	110.18	78		2.20	6.6	5146	146.07	78	2.20	GK89 GKF89 GKA89 GKAF89	23	1588	63.00	27			1.60	7.1	4630	136.14			78	2.40	7.8	4165			122.48	78	2.70	8.7	4249	110.18	78	3.00	6.4	5666	112.41	62	1.35	GK79 GKF79 GKA79 GKAF79	25	1427	56.64	27	1.75		7.1	5078	100.75	62	1.50		7.9	4585	90.96	62	1.65		8.7	4164	82.61	62	1.85		6.7	5423	143.47	62	1.40	GK69 GKF69 GKA69 GKAF69	29	1239	49.16	27			2.00	7.9	4591	121.46			62	1.65	8.5	4249			112.41	62	1.80	9.5			3809	100.75	62	2.00		11	3438	90.96	62	2.20	48		761	30.21	10	1.00	53		687	27.27	10	1.10	60		605	23.99	11	1.25	64	571	22.66	11	1.30	75	486	19.29	12	1.45	82	442	17.53	12	1.55	95	383	15.19	12	1.70	109	333	13.22	12	1.90	115	315	12.48	12	1.60	135	268	10.63	12	1.75	149	243	9.66	12	1.85	172	211	8.37	12	1.95	198	183	7.28	11	2.10																																																																																																																																		
5.0	6847	286	62	1.15		5.7	6009	251	62	1.35		6.5	5315	222	62	1.50		7.3	4692	196	62	1.70		8.3	4166	174	62	1.90		9.4	3687	154	62	2.15	10	3352	140	62	2.40		18	1999	79.34	27	1.25		7.2	4764	199	38	0.90		GK99R59 GKF99R59 GKA99R59 GKAF99R59	20	1776	70.46	27		1.40	5.3	6862	136.14	78	1.80		5.9	6173	122.48	78	2.00		6.5	5553	110.18	78	2.20		6.6	5146	146.07	78	2.20		GK89 GKF89 GKA89 GKAF89	23	1588	63.00		27	1.60	7.1	4630	136.14	78		2.40	7.8	4165	122.48			78	2.70	8.7	4249			110.18	78	3.00	6.4	5666	112.41	62	1.35	GK79 GKF79 GKA79 GKAF79	25	1427	56.64	27	1.75	7.1	5078	100.75	62	1.50		7.9	4585	90.96	62	1.65		8.7	4164	82.61	62	1.85		6.7	5423	143.47	62	1.40		GK69 GKF69 GKA69 GKAF69	29	1239	49.16	27		2.00	7.9	4591	121.46	62		1.65	8.5	4249	112.41			62	1.80	9.5	3809			100.75	62	2.00	11			3438	90.96	62	2.20			48	761	30.21	10	1.00	53	687	27.27	10	1.10	60		605	23.99	11	1.25	64		571	22.66	11	1.30	75	486	19.29	12	1.45	82	442	17.53	12	1.55	95	383	15.19	12	1.70	109	333	13.22	12	1.90	115	315	12.48	12	1.60	135	268	10.63	12	1.75	149	243	9.66	12	1.85	172	211	8.37	12	1.95	198	183	7.28	11	2.10																																																																																																																																													
5.7	6009	251	62	1.35		6.5	5315	222	62	1.50		7.3	4692	196	62	1.70		8.3	4166	174	62	1.90		9.4	3687	154	62	2.15		10	3352	140	62	2.40	18	1999	79.34	27	1.25		7.2	4764	199	38	0.90		GK99R59 GKF99R59 GKA99R59 GKAF99R59	20	1776	70.46	27			1.40	5.3	6862	136.14	78	1.80	5.9	6173	122.48	78	2.00		6.5	5553	110.18	78	2.20		6.6	5146	146.07	78	2.20		GK89 GKF89 GKA89 GKAF89	23	1588	63.00	27			1.60	7.1	4630		136.14	78	2.40	7.8	4165	122.48		78	2.70	8.7	4249			110.18	78	3.00	6.4	5666	112.41	62	1.35	GK79 GKF79 GKA79 GKAF79	25	1427	56.64	27	1.75		7.1	5078	100.75	62	1.50	7.9	4585	90.96	62	1.65		8.7	4164	82.61	62	1.85		6.7	5423	143.47	62	1.40		GK69 GKF69 GKA69 GKAF69	29	1239	49.16	27			2.00	7.9	4591	121.46		62	1.65	8.5	4249	112.41		62	1.80	9.5	3809			100.75	62	2.00	11			3438	90.96	62	2.20			48	761	30.21	10	1.00		53	687	27.27	10	1.10	60	605	23.99	11	1.25	64		571	22.66	11	1.30	75	486	19.29	12	1.45	82	442	17.53	12	1.55	95	383	15.19	12	1.70	109	333	13.22	12	1.90	115	315	12.48	12	1.60	135	268	10.63	12	1.75	149	243	9.66	12	1.85	172	211	8.37	12	1.95	198	183	7.28	11	2.10																																																																																																																																																			
6.5	5315	222	62	1.50		7.3	4692	196	62	1.70		8.3	4166	174	62	1.90		9.4	3687	154	62	2.15		10	3352	140	62	2.40		18	1999	79.34	27	1.25	7.2	4764	199	38	0.90		GK99R59 GKF99R59 GKA99R59 GKAF99R59	20	1776	70.46	27			1.40	5.3	6862	136.14	78		1.80	5.9	6173	122.48	78	2.00	6.5	5553	110.18	78	2.20		6.6	5146	146.07	78	2.20		GK89 GKF89 GKA89 GKAF89	23	1588	63.00	27			1.60	7.1	4630	136.14			78	2.40	7.8		4165	122.48	78	2.70	8.7	4249		110.18	78	3.00	6.4	5666	112.41	62	1.35	GK79 GKF79 GKA79 GKAF79	25	1427	56.64	27	1.75		7.1	5078	100.75	62	1.50		7.9	4585	90.96	62	1.65	8.7	4164	82.61	62	1.85		6.7	5423	143.47	62	1.40		GK69 GKF69 GKA69 GKAF69	29	1239	49.16	27			2.00	7.9	4591	121.46			62	1.65	8.5	4249		112.41	62	1.80	9.5	3809		100.75	62	2.00	11			3438	90.96	62	2.20			48	761	30.21	10	1.00		53	687	27.27	10	1.10		60	605	23.99	11	1.25	64	571	22.66	11	1.30	75	486	19.29	12	1.45	82	442	17.53	12	1.55	95	383	15.19	12	1.70	109	333	13.22	12	1.90	115	315	12.48	12	1.60	135	268	10.63	12	1.75	149	243	9.66	12	1.85	172	211	8.37	12	1.95	198	183	7.28	11	2.10																																																																																																																																																									
7.3	4692	196	62	1.70		8.3	4166	174	62	1.90		9.4	3687	154	62	2.15		10	3352	140	62	2.40		18	1999	79.34	27	1.25		7.2	4764	199	38	0.90	GK99R59 GKF99R59 GKA99R59 GKAF99R59	20	1776	70.46	27			1.40	5.3	6862	136.14	78		1.80	5.9	6173	122.48	78		2.00	6.5	5553	110.18	78	2.20	6.6	5146	146.07	78	2.20		GK89 GKF89 GKA89 GKAF89	23	1588	63.00	27			1.60	7.1	4630	136.14			78	2.40	7.8	4165			122.48	78	2.70	8.7	4249	110.18	78	3.00	6.4	5666	112.41	62	1.35	GK79 GKF79 GKA79 GKAF79	25	1427	56.64	27	1.75		7.1	5078	100.75	62	1.50		7.9	4585	90.96	62	1.65		8.7	4164	82.61	62	1.85	6.7	5423	143.47	62	1.40		GK69 GKF69 GKA69 GKAF69	29	1239	49.16	27			2.00	7.9	4591	121.46			62	1.65	8.5	4249			112.41	62	1.80	9.5		3809	100.75	62	2.00	11		3438	90.96	62	2.20			48	761	30.21	10	1.00		53	687	27.27	10	1.10		60	605	23.99	11	1.25	64	571	22.66	11	1.30	75	486	19.29	12	1.45	82	442	17.53	12	1.55	95	383	15.19	12	1.70	109	333	13.22	12	1.90	115	315	12.48	12	1.60	135	268	10.63	12	1.75	149	243	9.66	12	1.85	172	211	8.37	12	1.95	198	183	7.28	11	2.10																																																																																																																																																															
8.3	4166	174	62	1.90		9.4	3687	154	62	2.15		10	3352	140	62	2.40		18	1999	79.34	27	1.25		7.2	4764	199	38	0.90		GK99R59 GKF99R59 GKA99R59 GKAF99R59	20	1776	70.46	27		1.40	5.3	6862	136.14	78		1.80	5.9	6173	122.48	78		2.00	6.5	5553	110.18	78		2.20	6.6	5146	146.07	78	2.20	GK89 GKF89 GKA89 GKAF89	23	1588	63.00	27			1.60	7.1	4630	136.14			78	2.40	7.8	4165			122.48	78	2.70	8.7	4249	110.18	78	3.00	6.4	5666	112.41	62	1.35	GK79 GKF79 GKA79 GKAF79	25	1427	56.64	27	1.75		7.1	5078	100.75	62	1.50		7.9	4585	90.96	62	1.65		8.7	4164	82.61	62	1.85		6.7	5423	143.47	62	1.40	GK69 GKF69 GKA69 GKAF69	29	1239	49.16	27			2.00	7.9	4591	121.46			62	1.65	8.5	4249			112.41	62	1.80	9.5			3809	100.75	62	2.00		11	3438	90.96	62	2.20		48	761	30.21	10	1.00		53	687	27.27	10	1.10		60	605	23.99	11	1.25	64	571	22.66	11	1.30	75	486	19.29	12	1.45	82	442	17.53	12	1.55	95	383	15.19	12	1.70	109	333	13.22	12	1.90	115	315	12.48	12	1.60	135	268	10.63	12	1.75	149	243	9.66	12	1.85	172	211	8.37	12	1.95	198	183	7.28	11	2.10																																																																																																																																																																					
9.4	3687	154	62	2.15		10	3352	140	62	2.40		18	1999	79.34	27	1.25		7.2	4764	199	38	0.90		GK99R59 GKF99R59 GKA99R59 GKAF99R59	20	1776	70.46	27	1.40		5.3	6862	136.14	78		1.80	5.9	6173	122.48	78		2.00	6.5	5553	110.18	78		2.20	6.6	5146	146.07	78		2.20	GK89 GKF89 GKA89 GKAF89	23	1588	63.00	27		1.60	7.1	4630	136.14			78	2.40	7.8	4165			122.48	78	2.70	8.7	4249	110.18	78	3.00	6.4	5666	112.41	62	1.35	GK79 GKF79 GKA79 GKAF79	25	1427	56.64	27	1.75		7.1	5078	100.75	62	1.50		7.9	4585	90.96	62	1.65		8.7	4164	82.61	62	1.85		6.7	5423	143.47	62	1.40		GK69 GKF69 GKA69 GKAF69	29	1239	49.16	27		2.00	7.9	4591	121.46			62	1.65	8.5	4249			112.41	62	1.80	9.5			3809	100.75	62	2.00			11	3438	90.96	62	2.20	48	761	30.21	10	1.00		53	687	27.27	10	1.10		60	605	23.99	11	1.25	64	571	22.66	11	1.30	75	486	19.29	12	1.45	82	442	17.53	12	1.55	95	383	15.19	12	1.70	109	333	13.22	12	1.90	115	315	12.48	12	1.60	135	268	10.63	12	1.75	149	243	9.66	12	1.85	172	211	8.37	12	1.95	198	183	7.28	11	2.10																																																																																																																																																																											
10	3352	140	62	2.40		18	1999	79.34	27	1.25		7.2	4764	199	38	0.90		GK99R59 GKF99R59 GKA99R59 GKAF99R59	20	1776	70.46	27	1.40		5.3	6862	136.14	78	1.80		5.9	6173	122.48	78		2.00	6.5	5553	110.18	78		2.20	6.6	5146	146.07	78		2.20	GK89 GKF89 GKA89 GKAF89	23	1588	63.00		27		1.60	7.1	4630	136.14		78	2.40	7.8	4165			122.48	78	2.70	8.7	4249	110.18	78	3.00	6.4	5666	112.41	62	1.35	GK79 GKF79 GKA79 GKAF79	25	1427	56.64	27	1.75		7.1	5078	100.75	62	1.50		7.9	4585	90.96	62	1.65		8.7	4164	82.61	62	1.85		6.7	5423	143.47	62	1.40		GK69 GKF69 GKA69 GKAF69	29	1239	49.16	27			2.00	7.9	4591	121.46		62	1.65	8.5	4249			112.41	62	1.80	9.5			3809	100.75	62	2.00			11	3438	90.96	62	2.20		48	761	30.21	10	1.00	53	687	27.27	10	1.10		60	605	23.99	11	1.25	64	571	22.66	11	1.30	75	486	19.29	12	1.45	82	442	17.53	12	1.55	95	383	15.19	12	1.70	109	333	13.22	12	1.90	115	315	12.48	12	1.60	135	268	10.63	12	1.75	149	243	9.66	12	1.85	172	211	8.37	12	1.95	198	183	7.28	11	2.10																																																																																																																																																																																	
18	1999	79.34	27	1.25		7.2	4764	199	38	0.90		GK99R59 GKF99R59 GKA99R59 GKAF99R59	20	1776	70.46	27	1.40		5.3	6862	136.14	78	1.80		5.9	6173	122.48	78	2.00		6.5	5553	110.18	78		2.20	6.6	5146	146.07	78		2.20	GK89 GKF89 GKA89 GKAF89	23	1588	63.00		27		1.60	7.1	4630		136.14		78	2.40	7.8	4165		122.48	78	2.70	8.7	4249	110.18	78	3.00	6.4	5666	112.41	62	1.35	GK79 GKF79 GKA79 GKAF79	25	1427	56.64	27	1.75		7.1	5078	100.75	62	1.50		7.9	4585	90.96	62	1.65		8.7	4164	82.61	62	1.85		6.7	5423	143.47	62	1.40		GK69 GKF69 GKA69 GKAF69	29	1239	49.16	27			2.00	7.9	4591	121.46			62	1.65	8.5	4249		112.41	62	1.80	9.5			3809	100.75	62	2.00			11	3438	90.96	62	2.20		48	761	30.21	10	1.00		53	687	27.27	10	1.10	60	605	23.99	11	1.25	64	571	22.66	11	1.30	75	486	19.29	12	1.45	82	442	17.53	12	1.55	95	383	15.19	12	1.70	109	333	13.22	12	1.90	115	315	12.48	12	1.60	135	268	10.63	12	1.75	149	243	9.66	12	1.85	172	211	8.37	12	1.95	198	183	7.28	11	2.10																																																																																																																																																																																							
7.2	4764	199	38	0.90		GK99R59 GKF99R59 GKA99R59 GKAF99R59	20	1776	70.46	27	1.40		5.3	6862	136.14	78	1.80		5.9	6173	122.48	78	2.00		6.5	5553	110.18	78	2.20		6.6	5146	146.07	78		2.20	GK89 GKF89 GKA89 GKAF89	23	1588	63.00		27		1.60	7.1	4630		136.14		78	2.40	7.8	4165	122.48		78	2.70	8.7	4249	110.18	78	3.00	6.4	5666	112.41	62	1.35	GK79 GKF79 GKA79 GKAF79	25	1427	56.64	27	1.75		7.1	5078	100.75	62	1.50		7.9	4585	90.96	62	1.65		8.7	4164	82.61	62	1.85		6.7	5423	143.47	62	1.40		GK69 GKF69 GKA69 GKAF69	29	1239	49.16	27			2.00	7.9	4591	121.46			62	1.65	8.5	4249			112.41	62	1.80	9.5		3809	100.75	62	2.00			11	3438	90.96	62	2.20		48	761	30.21	10	1.00		53	687	27.27	10	1.10	60	605	23.99	11	1.25	64	571	22.66	11	1.30	75	486	19.29	12	1.45	82	442	17.53	12	1.55	95	383	15.19	12	1.70	109	333	13.22	12	1.90	115	315	12.48	12	1.60	135	268	10.63	12	1.75	149	243	9.66	12	1.85	172	211	8.37	12	1.95	198	183	7.28	11	2.10																																																																																																																																																																																													
5.3	6862	136.14	78	1.80	5.9		6173	122.48	78	2.00	6.5		5553	110.18	78	2.20	6.6		5146	146.07	78	2.20	GK89 GKF89 GKA89 GKAF89		23	1588	63.00	27	1.60		7.1	4630	136.14	78		2.40		7.8	4165	122.48		78		2.70	8.7	4249	110.18	78		3.00	6.4	5666	112.41	62	1.35	GK79 GKF79 GKA79 GKAF79	25	1427	56.64	27	1.75	7.1	5078	100.75	62	1.50	7.9		4585	90.96	62	1.65	8.7		4164	82.61	62	1.85	6.7		5423	143.47	62	1.40	GK69 GKF69 GKA69 GKAF69		29	1239	49.16	27	2.00		7.9	4591	121.46	62	1.65			8.5	4249	112.41	62			1.80	9.5	3809	100.75			62	2.00	11	3438			90.96	62	2.20	48		761	30.21	10	1.00	53		687	27.27	10	1.10	60		605	23.99	11	1.25	64	571	22.66	11	1.30	75	486	19.29	12	1.45	82	442	17.53	12	1.55	95	383	15.19	12	1.70	109	333	13.22	12	1.90	115	315	12.48	12	1.60	135	268	10.63	12	1.75	149	243	9.66	12	1.85	172	211	8.37	12	1.95	198	183	7.28	11	2.10																																																																																																																																																																																																									
5.9	6173	122.48	78	2.00	6.5		5553	110.18	78	2.20	6.6		5146	146.07	78	2.20	GK89 GKF89 GKA89 GKAF89		23	1588	63.00	27			1.60	7.1	4630	136.14	78		2.40	7.8	4165	122.48		78		2.70	8.7	4249	110.18	78		3.00	6.4	5666	112.41	62	1.35	GK79 GKF79 GKA79 GKAF79	25	1427	56.64	27	1.75		7.1	5078	100.75	62	1.50	7.9	4585	90.96	62	1.65	8.7		4164	82.61	62	1.85	6.7		5423	143.47	62	1.40	GK69 GKF69 GKA69 GKAF69		29	1239	49.16	27			2.00	7.9	4591	121.46	62		1.65	8.5	4249	112.41	62			1.80	9.5	3809	100.75			62	2.00	11	3438			90.96	62	2.20	48	761		30.21	10	1.00	53		687	27.27	10	1.10	60		605	23.99	11	1.25	64	571	22.66	11	1.30	75	486	19.29	12	1.45	82	442	17.53	12	1.55	95	383	15.19	12	1.70	109	333	13.22	12	1.90	115	315	12.48	12	1.60	135	268	10.63	12	1.75	149	243	9.66	12	1.85	172	211	8.37	12	1.95	198	183	7.28	11	2.10																																																																																																																																																																																																															
6.5	5553	110.18	78	2.20	6.6		5146	146.07	78	2.20	GK89 GKF89 GKA89 GKAF89		23	1588	63.00	27			1.60	7.1	4630	136.14			78	2.40	7.8	4165	122.48		78	2.70	8.7	4249	110.18	78		3.00	6.4	5666	112.41	62	1.35	GK79 GKF79 GKA79 GKAF79	25	1427	56.64	27	1.75		7.1	5078	100.75	62	1.50		7.9	4585	90.96	62	1.65	8.7	4164	82.61	62	1.85	6.7		5423	143.47	62	1.40	GK69 GKF69 GKA69 GKAF69		29	1239	49.16	27			2.00	7.9	4591	121.46			62	1.65	8.5	4249	112.41		62	1.80	9.5	3809	100.75			62	2.00	11	3438			90.96	62	2.20	48	761		30.21	10	1.00	53	687		27.27	10	1.10	60		605	23.99	11	1.25	64	571	22.66	11	1.30	75	486	19.29	12	1.45	82	442	17.53	12	1.55	95	383	15.19	12	1.70	109	333	13.22	12	1.90	115	315	12.48	12	1.60	135	268	10.63	12	1.75	149	243	9.66	12	1.85	172	211	8.37	12	1.95	198	183	7.28	11	2.10																																																																																																																																																																																																																					
6.6	5146	146.07	78	2.20	GK89 GKF89 GKA89 GKAF89		23	1588	63.00	27			1.60	7.1	4630	136.14			78	2.40	7.8	4165			122.48	78	2.70	8.7	4249	110.18	78	3.00	6.4	5666	112.41	62	1.35	GK79 GKF79 GKA79 GKAF79	25	1427	56.64	27	1.75		7.1	5078	100.75	62	1.50		7.9	4585	90.96	62	1.65		8.7	4164	82.61	62	1.85	6.7	5423	143.47	62	1.40	GK69 GKF69 GKA69 GKAF69		29	1239	49.16	27			2.00	7.9	4591	121.46			62	1.65	8.5	4249			112.41	62	1.80	9.5	3809		100.75	62	2.00	11	3438			90.96	62	2.20	48	761		30.21	10	1.00	53	687		27.27	10	1.10	60	605		23.99	11	1.25	64	571	22.66	11	1.30	75	486	19.29	12	1.45	82	442	17.53	12	1.55	95	383	15.19	12	1.70	109	333	13.22	12	1.90	115	315	12.48	12	1.60	135	268	10.63	12	1.75	149	243	9.66	12	1.85	172	211	8.37	12	1.95	198	183	7.28	11	2.10																																																																																																																																																																																																																											
7.1	4630	136.14	78	2.40			7.8	4165	122.48	78			2.70	8.7	4249	110.18			78	3.00	6.4	5666	112.41	62	1.35	GK79 GKF79 GKA79 GKAF79	25	1427	56.64	27	1.75	7.1	5078	100.75	62	1.50	7.9		4585	90.96	62	1.65	8.7		4164	82.61	62	1.85	6.7		5423	143.47	62	1.40	GK69 GKF69 GKA69 GKAF69		29	1239	49.16	27	2.00	7.9	4591	121.46	62	1.65			8.5	4249	112.41	62			1.80	9.5	3809	100.75			62	2.00	11	3438			90.96	62	2.20	48	761		30.21	10	1.00	53	687	27.27		10	1.10	60	605	23.99		11	1.25	64	571	22.66		11	1.30	75	486	19.29	12	1.45	82	442	17.53	12	1.55	95	383	15.19	12	1.70	109	333	13.22	12	1.90	115	315	12.48	12	1.60	135	268	10.63	12	1.75	149	243	9.66	12	1.85	172	211	8.37	12	1.95	198	183	7.28	11	2.10																																																																																																																																																																																																																																							
7.8	4165	122.48	78	2.70			8.7	4249	110.18	78			3.00	6.4	5666	112.41	62	1.35	GK79 GKF79 GKA79 GKAF79	25	1427	56.64	27	1.75	7.1		5078	100.75	62	1.50	7.9	4585	90.96	62	1.65	8.7	4164		82.61	62	1.85	6.7	5423		143.47	62	1.40	GK69 GKF69 GKA69 GKAF69	29		1239	49.16	27	2.00			7.9	4591	121.46	62	1.65	8.5	4249	112.41	62	1.80			9.5	3809	100.75	62			2.00	11	3438	90.96			62	2.20	48	761			30.21	10	1.00	53	687	27.27	10	1.10	60	605	23.99	11		1.25	64	571	22.66	11		1.30	75	486	19.29	12	1.45	82	442	17.53	12	1.55	95	383	15.19	12	1.70	109	333	13.22	12	1.90	115	315	12.48	12	1.60	135	268	10.63	12	1.75	149	243	9.66	12	1.85	172	211	8.37	12	1.95	198	183	7.28	11	2.10																																																																																																																																																																																																																																														
8.7	4249	110.18	78	3.00			6.4	5666	112.41	62	1.35	GK79 GKF79 GKA79 GKAF79	25	1427	56.64	27	1.75	7.1		5078	100.75	62	1.50	7.9	4585		90.96	62	1.65	8.7	4164	82.61	62	1.85	6.7	5423	143.47		62	1.40	GK69 GKF69 GKA69 GKAF69	29	1239		49.16	27	2.00		7.9		4591	121.46	62	1.65			8.5	4249	112.41	62	1.80	9.5	3809	100.75	62	2.00			11	3438	90.96	62			2.20	48	761	30.21			10	1.00	53	687		27.27	10	1.10	60	605	23.99	11	1.25	64	571	22.66	11	1.30		75	486	19.29	12	1.45	82	442	17.53	12	1.55	95	383	15.19	12	1.70	109	333	13.22	12	1.90	115	315	12.48	12	1.60	135	268	10.63	12	1.75	149	243	9.66	12	1.85	172	211	8.37	12	1.95	198	183	7.28	11	2.10																																																																																																																																																																																																																																																					
6.4	5666	112.41	62	1.35	GK79 GKF79 GKA79 GKAF79	25	1427	56.64	27	1.75	7.1		5078	100.75	62	1.50	7.9	4585		90.96	62	1.65	8.7	4164	82.61		62	1.85	6.7	5423	143.47	62	1.40	GK69 GKF69 GKA69 GKAF69	29	1239	49.16		27	2.00		7.9	4591		121.46	62	1.65		8.5		4249	112.41	62	1.80			9.5	3809	100.75	62	2.00	11	3438	90.96	62	2.20			48	761	30.21	10			1.00	53	687	27.27		10	1.10	60	605	23.99		11	1.25	64	571	22.66	11	1.30	75	486	19.29	12	1.45	82	442	17.53	12	1.55	95	383	15.19	12	1.70	109	333	13.22	12	1.90	115	315	12.48	12	1.60	135	268	10.63	12	1.75	149	243	9.66	12	1.85	172	211	8.37	12	1.95	198	183	7.28	11	2.10																																																																																																																																																																																																																																																												
7.1	5078	100.75	62	1.50		7.9	4585	90.96	62	1.65	8.7		4164	82.61	62	1.85	6.7	5423		143.47	62	1.40	GK69 GKF69 GKA69 GKAF69	29	1239		49.16	27	2.00	7.9	4591	121.46	62		1.65	8.5	4249		112.41	62		1.80	9.5		3809	100.75	62		2.00		11	3438	90.96	62			2.20	48	761	30.21	10	1.00	53	687	27.27	10			1.10	60	605	23.99		11	1.25	64	571	22.66		11	1.30	75	486	19.29	12	1.45	82	442	17.53	12	1.55	95	383	15.19	12	1.70	109	333	13.22	12	1.90	115	315	12.48	12	1.60	135	268	10.63	12	1.75	149	243	9.66	12	1.85	172	211	8.37	12	1.95	198	183	7.28	11	2.10																																																																																																																																																																																																																																																																							
7.9	4585	90.96	62	1.65		8.7	4164	82.61	62	1.85	6.7		5423	143.47	62	1.40	GK69 GKF69 GKA69 GKAF69	29		1239	49.16	27		2.00	7.9		4591	121.46	62	1.65	8.5	4249	112.41		62	1.80	9.5		3809	100.75		62	2.00		11	3438	90.96		62		2.20	48	761	30.21			10	1.00	53	687	27.27	10	1.10	60	605	23.99		11	1.25	64	571	22.66		11	1.30	75	486	19.29	12	1.45	82	442	17.53	12	1.55	95	383	15.19	12	1.70	109	333	13.22	12	1.90	115	315	12.48	12	1.60	135	268	10.63	12	1.75	149	243	9.66	12	1.85	172	211	8.37	12	1.95	198	183	7.28	11	2.10																																																																																																																																																																																																																																																																													
8.7	4164	82.61	62	1.85		6.7	5423	143.47	62	1.40	GK69 GKF69 GKA69 GKAF69		29	1239	49.16	27		2.00		7.9	4591	121.46		62	1.65		8.5	4249	112.41	62	1.80	9.5	3809		100.75	62	2.00		11	3438		90.96	62		2.20	48	761		30.21		10	1.00	53	687		27.27	10	1.10	60	605	23.99	11	1.25	64	571	22.66		11	1.30	75	486	19.29	12	1.45	82	442	17.53	12	1.55	95	383	15.19	12	1.70	109	333	13.22	12	1.90	115	315	12.48	12	1.60	135	268	10.63	12	1.75	149	243	9.66	12	1.85	172	211	8.37	12	1.95	198	183	7.28	11	2.10																																																																																																																																																																																																																																																																																			
6.7	5423	143.47	62	1.40		GK69 GKF69 GKA69 GKAF69	29	1239	49.16	27			2.00	7.9	4591	121.46		62		1.65	8.5	4249		112.41	62		1.80	9.5	3809	100.75	62	2.00	11		3438	90.96	62		2.20	48		761	30.21		10	1.00	53		687	27.27	10	1.10	60	605		23.99	11	1.25	64	571	22.66	11	1.30	75	486	19.29	12	1.45	82	442	17.53	12	1.55	95	383	15.19	12	1.70	109	333	13.22	12	1.90	115	315	12.48	12	1.60	135	268	10.63	12	1.75	149	243	9.66	12	1.85	172	211	8.37	12	1.95	198	183	7.28	11	2.10																																																																																																																																																																																																																																																																																									
7.9	4591	121.46	62	1.65			8.5	4249	112.41	62			1.80	9.5	3809	100.75		62		2.00	11	3438		90.96	62		2.20	48	761	30.21	10	1.00	53		687	27.27	10		1.10	60		605	23.99	11	1.25	64	571		22.66	11	1.30	75	486	19.29	12	1.45	82	442	17.53	12	1.55	95	383	15.19	12	1.70	109	333	13.22	12	1.90	115	315	12.48	12	1.60	135	268	10.63	12	1.75	149	243	9.66	12	1.85	172	211	8.37	12	1.95	198	183	7.28	11	2.10																																																																																																																																																																																																																																																																																																					
8.5	4249	112.41	62	1.80			9.5	3809	100.75	62			2.00	11	3438	90.96		62		2.20	48	761		30.21	10		1.00	53	687	27.27	10	1.10	60		605	23.99	11	1.25	64	571		22.66	11	1.30	75	486	19.29	12	1.45	82	442	17.53	12	1.55	95	383	15.19	12	1.70	109	333	13.22	12	1.90	115	315	12.48	12	1.60	135	268	10.63	12	1.75	149	243	9.66	12	1.85	172	211	8.37	12	1.95	198	183	7.28	11	2.10																																																																																																																																																																																																																																																																																																												
9.5	3809	100.75	62	2.00			11	3438	90.96	62			2.20	48	761	30.21		10		1.00	53	687		27.27	10	1.10	60	605	23.99	11	1.25	64	571		22.66	11	1.30	75	486	19.29	12	1.45	82	442	17.53	12	1.55	95	383	15.19	12	1.70	109	333	13.22	12	1.90	115	315	12.48	12	1.60	135	268	10.63	12	1.75	149	243	9.66	12	1.85	172	211	8.37	12	1.95	198	183	7.28	11	2.10																																																																																																																																																																																																																																																																																																																			
11	3438	90.96	62	2.20			48	761	30.21	10			1.00	53	687	27.27		10	1.10	60	605	23.99		11	1.25	64	571	22.66	11	1.30	75	486	19.29	12	1.45	82	442	17.53	12	1.55	95	383	15.19	12	1.70	109	333	13.22	12	1.90	115	315	12.48	12	1.60	135	268	10.63	12	1.75	149	243	9.66	12	1.85	172	211	8.37	12	1.95	198	183	7.28	11	2.10																																																																																																																																																																																																																																																																																																																										
48	761	30.21	10	1.00			53	687	27.27	10		1.10	60	605	23.99	11		1.25	64	571	22.66	11	1.30	75	486	19.29	12	1.45	82	442	17.53	12	1.55	95	383	15.19	12	1.70	109	333	13.22	12	1.90	115	315	12.48	12	1.60	135	268	10.63	12	1.75	149	243	9.66	12	1.85	172	211	8.37	12	1.95	198	183	7.28	11	2.10																																																																																																																																																																																																																																																																																																																																	
53	687	27.27	10	1.10	60		605	23.99	11	1.25		64	571	22.66	11	1.30	75	486	19.29	12	1.45	82	442	17.53	12	1.55	95	383	15.19	12	1.70	109	333	13.22	12	1.90	115	315	12.48	12	1.60	135	268	10.63	12	1.75	149	243	9.66	12	1.85	172	211	8.37	12	1.95	198	183	7.28	11	2.10																																																																																																																																																																																																																																																																																																																																								
60	605	23.99	11	1.25	64		571	22.66	11	1.30	75	486	19.29	12	1.45	82	442	17.53	12	1.55	95	383	15.19	12	1.70	109	333	13.22	12	1.90	115	315	12.48	12	1.60	135	268	10.63	12	1.75	149	243	9.66	12	1.85	172	211	8.37	12	1.95	198	183	7.28	11	2.10																																																																																																																																																																																																																																																																																																																																														
64	571	22.66	11	1.30	75	486	19.29	12	1.45	82	442	17.53	12	1.55	95	383	15.19	12	1.70	109	333	13.22	12	1.90	115	315	12.48	12	1.60	135	268	10.63	12	1.75	149	243	9.66	12	1.85	172	211	8.37	12	1.95	198	183	7.28	11	2.10																																																																																																																																																																																																																																																																																																																																																				
75	486	19.29	12	1.45	82	442	17.53	12	1.55	95	383	15.19	12	1.70	109	333	13.22	12	1.90	115	315	12.48	12	1.60	135	268	10.63	12	1.75	149	243	9.66	12	1.85	172	211	8.37	12	1.95	198	183	7.28	11	2.10																																																																																																																																																																																																																																																																																																																																																									
82	442	17.53	12	1.55	95	383	15.19	12	1.70	109	333	13.22	12	1.90	115	315	12.48	12	1.60	135	268	10.63	12	1.75	149	243	9.66	12	1.85	172	211	8.37	12	1.95	198	183	7.28	11	2.10																																																																																																																																																																																																																																																																																																																																																														
95	383	15.19	12	1.70	109	333	13.22	12	1.90	115	315	12.48	12	1.60	135	268	10.63	12	1.75	149	243	9.66	12	1.85	172	211	8.37	12	1.95	198	183	7.28	11	2.10																																																																																																																																																																																																																																																																																																																																																																			
109	333	13.22	12	1.90	115	315	12.48	12	1.60	135	268	10.63	12	1.75	149	243	9.66	12	1.85	172	211	8.37	12	1.95	198	183	7.28	11	2.10																																																																																																																																																																																																																																																																																																																																																																								
115	315	12.48	12	1.60	135	268	10.63	12	1.75	149	243	9.66	12	1.85	172	211	8.37	12	1.95	198	183	7.28	11	2.10																																																																																																																																																																																																																																																																																																																																																																													
135	268	10.63	12	1.75	149	243	9.66	12	1.85	172	211	8.37	12	1.95	198	183	7.28	11	2.10																																																																																																																																																																																																																																																																																																																																																																																		
149	243	9.66	12	1.85	172	211	8.37	12	1.95	198	183	7.28	11	2.10																																																																																																																																																																																																																																																																																																																																																																																							
172	211	8.37	12	1.95	198	183	7.28	11	2.10																																																																																																																																																																																																																																																																																																																																																																																												
198	183	7.28	11	2.10																																																																																																																																																																																																																																																																																																																																																																																																	

选型参数表
(恒功率)
Selection Table
(Constant Power)

n_a [r/min]	M_a [N.m]	i	F_{Ra} [kN]	f_B	机型号 Type size	极数 Pole	n_a [r/min]	M_a [N.m]	i	F_{Ra} [kN]	f_B	机型号 Type size	极数 Pole	
4kW							5.5kW							
60	606	24.05	5.8	0.95			7.1	7076	136.14	78	1.75	GK129		
63	572	22.71	5.9	1.00			7.8	6366	122.48	78	1.95	GKF129	6P	
74	487	19.34	5.9	1.10			8.7	5727	110.18	78	2.20	GKA129		
82	443	17.57	5.9	1.15			11	4672	89.89	78	2.60	GKAF129		
95	384	15.22	5.9	1.30	GK59	4P	8.5	5843	112.41	62	1.30	GK109	6P	
109	334	13.25	5.8	1.45	GKF59		9.5	5237	100.75	62	1.45	GKF109		
121	300	11.92	5.5	1.30	GKA59		11	4728	90.96	62	1.60	GKA109		
128	284	11.26	5.5	1.35	GKAF59		12	4294	82.61	62	1.75	GKAF109		
150	242	9.59	5.4	1.55				10	4972	143.47	62	1.80		4P
165	220	8.71	5.4	1.65				12	4209	121.46	62	1.80	GK109	
191	190	7.55	5.3	1.80				13	3895	112.41	62	1.95	GKF109	
219	166	6.57	5.1	1.95				14	3491	100.75	62	2.20	GKA109	
5.5kW							5.5kW							
0.8	59946	1821	153	0.80			16	3152	90.96	62	2.40	GKAF109		
0.9	52835	1605	165	0.95			17	2863	82.61	62	2.60			
1.0	45922	1395	171	1.05			12	4294	123.93	38	0.95	GK99	4P	
1.2	39371	1196	171	1.25	GK189R99	4P	14	3643	105.13	38	1.10	GKF99		
1.4	34434	1046	171	1.45	GKA189R99		15	3354	96.80	38	1.20	GKA99		
1.5	31109	945	171	1.60				17	2998	86.52	38	1.35	GKAF99	
2.0	24294	738	171	2.00				18	2699	77.89	38	1.50	GK99	4P
2.3	20443	621	171	2.40				20	2444	70.54	38	1.65	GKF99	
1.3	36244	1101	135	0.85				23	2167	62.55	38	1.85	GKA99	
1.5	31076	944	135	1.00				25	1960	56.55	38	2.10	GKAF99	
1.7	27784	844	135	1.15			30	1661	47.93	37	2.40			
1.9	24920	757	135	1.25	GK169R99	4P	17	2992	86.34	25	0.85	GK89	4P	
2.3	20805	632	135	1.50	GKA169R99		18	2749	79.34	26	0.95	GKF89		
2.6	18468	561	135	1.70				20	2442	70.46	26	1.05		GKA89
3.0	15834	481	135	2.00				23	2183	63.00	26	1.15	GKAF89	
3.4	13925	423	135	2.30				25	1963	56.64	26	1.30		
2.2	21760	661	104	0.80			29	1703	49.16	26	1.50	GK89	4P	
2.5	18665	567	106	0.95	GK159R99	4P	33	1525	44.02	25	1.60	GKF89		
2.9	16591	504	107	1.05	GKF159R99		39	1265	36.52	25	1.85	GKA89		
3.3	14287	434	108	1.25	GKA159R99		46	1087	31.38	24	2.30	GKAF89		
3.8	12476	379	109	1.45	GKAF159R99		52	966	27.87	23	2.50			
4.3	10962	333	109	1.60				32	1559	44.98	14	0.95	GK79	4P
3.4	13826	420	74	0.95				36	1382	39.88	15	1.05	GKF79	
3.9	12114	368	76	1.05				47	1066	30.76	17	1.35	GKA79	
4.4	10896	331	76	1.20	GK129R89	4P	49	1010	29.15	17	1.45	GKAF79		
5.0	9448	287	77	1.35	GKF129R89		56	884	25.51	18	1.65			
5.7	8362	254	77	1.55	GKA129R89		63	796	22.98	18	1.85			
6.8	7012	213	78	1.85	GKAF129R89		71	699	20.16	18	2.00	GK79	4P	
7.2	6617	201	78	1.95			81	616	17.79	18	2.20	GKF79		
8.6	5498	167	78	2.35			91	546	15.77	18	2.40	GKA79		
9.8	4839	147	78	2.70			107	467	13.47	18	2.70	GKAF79		
6.5	7308	222	62	1.10			115	432	12.48	17	2.20			
7.3	6452	196	62	1.25	GK109R79	4P	132	379	10.95	17	2.50			
8.3	5728	174	62	1.40	GKF109R79		60	831	23.99	9.2	0.90			
9.4	5070	154	62	1.60	GKA109R79		64	785	22.66	10	0.95	GK69	4P	
10	4609	140	62	1.75	GKAF109R79		75	668	19.29	11	1.05	GKF69		
4.8	10424	150.41	109	1.60	GK159	8P	82	607	17.53	11	1.15	GKA69		
5.9	8482	122.39	110	2.00	GKF159		95	526	15.19	11	1.25	GKAF69		
7.2	6946	100.22	110	2.40	GKA159		109	458	13.22	12	1.40			
7.9	6352	91.65	110	2.70	GKAF159		115	432	12.48	12	1.15	GK69	4P	
5.3	9435	136.14	77	1.30	GK129	8P	135	368	10.63	12	1.30	GKF69		
5.9	8488	122.48	77	1.45	GKF129		149	335	9.66	12	1.35	GKA69		
6.5	7636	110.18	77	1.60	GKA129		172	290	8.37	11	1.45	GKAF69		
8.0	6230	89.89	78	1.95	GKAF129		198	252	7.28	11	1.55			

选型参数表
(恒功率)
Selection Table
(Constant Power)

n_a [r/min]	M_a [N.m]	i	F_{Ra} [kN]	f_B	机型号 Type size	极数 Pole	n_a [r/min]	M_a [N.m]	i	F_{Ra} [kN]	f_B	机型号 Type size	极数 Pole		
5.5kW							7.5kW								
82	609	17.57	4.8	0.85	GK59 GKF59 GKA59 GKAF59	4P	16	4248	89.89	78	2.90	GK129	4P		
95	527	15.22	4.9	0.95			18	3874	81.98	78	3.20	GKF129			
109	459	13.25	5.0	1.05			20	3353	70.95	78	3.70	GKA129			
121	413	11.92	4.7	0.95								GKAF129			
128	390	11.26	4.7	1.00								GK109	4P		
150	332	9.59	4.7	1.15			10	6779	143.47	62	1.10	GKF109			
165	302	8.71	4.7	1.20			12	5739	121.46	62	1.30	GKA109			
191	262	7.55	4.7	1.30			13	5312	112.41	62	1.40	GKAF109			
219	228	6.57	4.7	1.45											
7.5kW															
1.7	37483	835	171	1.30	GK189R109 GKA189R109	4P	14	4761	100.75	62	1.60	GK109 GKF109 GKA109 GKAF109	4P		
2.0	32725	729	171	1.50			16	4298	90.96	61	1.75				
2.3	27922	622	171	1.75			17	3904	82.61	60	1.95				
1.2	53688	1196	163	0.90	GK189R99 GKA189R99	4P	20	3464	73.30	59	2.20			GK99 GKF99 GKA99 GKAF99	4P
1.4	46955	1046	171	1.05			22	3143	66.52	58	2.40				
1.5	42421	945	171	1.15			25	2701	57.17	56	2.80				
2.0	33129	738	171	1.45			29	2358	49.90	55	3.10				
2.3	27877	621	171	1.75			34	2000	42.33	53	3.50				
2.7	23657	527	171	2.10			39	1748	37.00	51	3.90				
1.7	37887	844	135	0.85	GK169R99 GKA169R99	4P	15	4574	96.80	36	0.90	GK99 GKF99 GKA99 GKAF99	4P		
1.9	33982	757	135	0.90			17	4088	86.52	36	1.00				
2.3	28370	632	135	1.10			18	3681	77.89	36	1.10				
2.6	25183	561	135	1.25			20	3333	70.54	36	1.20				
3.0	21592	481	135	1.45			23	2956	62.55	36	1.35				
3.4	18988	423	135	1.65			25	2672	56.55	35	1.50				
3.9	16564	369	135	1.90	30	2265	47.93	35	1.80	GK99 GKF99 GKA99 GKAF99	4P				
3.3	19482	434	106	0.95	34	1978	41.87	34	2.00						
3.8	17013	379	107	1.05	38	1809	38.29	33	2.20						
4.3	14948	333	108	1.20	42	1617	34.22	33	2.50						
4.9	13063	291	108	1.40	23	2977	63.00	23	0.85			GK89 GKF89 GKA89 GKAF89	4P		
4.4	14859	331	72	0.90	25	2676	56.64	23	0.95						
5.0	12883	287	75	1.00	29	2323	49.16	23	1.10						
5.7	11402	254	76	1.15	33	2080	44.02	23	1.20						
6.8	9562	213	77	1.35	39	1726	36.52	23	1.35						
7.2	9023	201	77	1.45	46	1483	31.38	22	1.70						
8.6	7497	167	78	1.75	GK129R89 GKF129R89 GKA129R89 GKAF129R89	4P	52	1317	27.87	22	1.85	GK89 GKF89 GKA89 GKAF89	4P		
9.8	6599	147	78	2.00			58	1178	24.92	22	2.00				
4.4	15546	164.50	135	1.95			64	1058	22.40	21	2.00				
5.3	12757	134.99	135	2.40			74	919	19.45	21	2.40				
5.9	11539	164.50	135	2.60			83	823	17.41	20	2.50				
7.2	9469	134.99	135	3.20			90	756	16.00	20	2.20				
6.4	10551	150.41	109	1.60	GK169 GKA169	8P	100	682	14.44	20	2.90	GK79 GKF79 GKA79 GKAF79	4P		
7.9	8585	122.39	110	1.95			47	1453	30.76	15	1.00				
9.7	7030	100.22	110	2.40			49	1377	29.15	15	1.05				
11	6429	91.65	110	2.60			56	1205	25.51	16	1.20				
12	5594	79.75	110	3.00			63	1086	22.98	17	1.35				
7	9550	136.14	77	1.30			71	953	20.16	17	1.50				
8	8592	122.48	77	1.40	GK159 GKF159 GKA159 GKAF159	6P	81	841	17.79	18	1.60	GK79 GKF79 GKA79 GKAF79	4P		
9	7729	110.18	77	1.60			91	745	15.77	17	1.75				
11	6306	89.89	78	1.95			107	636	13.47	17	2.00				
9.9	6902	146.07	78	1.80			115	590	12.48	16	1.60				
11	6433	136.14	78	1.90			132	517	10.95	16	1.80				
12	5787	122.48	78	2.10			149	456	9.66	15	1.95				
13	5206	110.18	78	2.40	GK129 GKF129 GKA129 GKAF129	4P	168	405	8.57	15	2.10	GK79 GKF79 GKA79 GKAF79	4P		
							197	345	7.31	15	2.30				

**选型参数表
(恒功率)**
**Selection Table
(Constant Power)**

n_a [r/min]	M_a [N.m]	i	F_{Ra} [kN]	f_B	机型号 Type size	极数 Pole	n_a [r/min]	M_a [N.m]	i	F_{Ra} [kN]	f_B	机型号 Type size	极数 Pole
11kW							11kW						
1.7	54222	835	162	0.90			34	2893	42.33	50	2.40	GK109	
2.0	47339	729	171	1.05			39	2529	37.00	49	2.70	GKF109	4P
2.3	40391	622	171	1.20	GK189R109	4P						GKA109	
2.8	33767	520	171	1.45	GKA189R109							GKAF109	
3.2	29481	454	171	1.65			21	4822	70.54	31	0.85	GK99	
4.1	23053	355	171	2.10			23	4276	62.55	31	0.95	GKF99	4P
2.0	47923	738	171	1.00	GK189R99	4P	26	3865	56.55	31	1.05	GKA99	
2.4	40326	621	171	1.20	GKA189R99		30	3276	47.93	31	1.25	GKAF99	
2.8	34222	527	171	1.40			35	2862	41.87	31	1.40		
4.6	20585	317	135	1.50			38	2617	38.29	30	1.55	GK99	
5.3	17987	277	135	1.70	GK169R109	4P	43	2339	34.22	30	1.70	GKF99	4P
6.0	15845	244	135	1.95	GKA169R109		47	2106	30.81	30	1.90	GKA99	
6.9	13832	213	135	2.30			52	1907	27.90	29	2.10	GKAF99	
7.1	13312	205	135	2.30			59	1691	24.74	29	2.40		
2.6	36430	561	135	0.85			65	1529	22.37	28	2.60		
3.0	31235	481	135	1.00	GK169R99	4P	33	3009	44.02	19	0.80	GK89	
3.5	27468	423	135	1.15	GKA169R99		40	2496	36.52	19	0.95	GKF89	4P
4.0	23962	369	135	1.30			47	2145	31.38	20	1.20	GKA89	
					GK159R99	4P	52	1905	27.87	20	1.30	GKAF89	
4.4	21624	333	104	0.80	GKF159R99		59	1703	24.92	19	1.40		
5.0	18897	291	106	0.95	GKA159R99		65	1531	22.40	19	1.40		
					GKAF159R99		75	1329	19.45	19	1.60		
6.9	13832	213	74	0.95	GK129R89	4P	84	1190	17.41	19	1.75		
7.3	13052	201	75	1.00	GKF129R89		91	1094	16.00	18	1.55	GK89	
8.7	10844	167	76	1.20	GKA129R89		101	987	14.44	18	2.00	GKF89	4P
9.9	9546	147	77	1.35	GKAF129R89		116	859	12.56	18	2.20	GKA89	
5.4	18454	134.99	135	1.60	GK169	8P	131	763	11.16	17	1.85	GKAF89	
6.6	15015	109.83	135	2.00	GKA169		146	684	10.00	17	2.10		
5.9	16924	164.50	135	1.80	GK169	6P	176	567	8.29	16	2.30		
7.2	13888	134.99	135	2.20	GKA169		202	493	7.21	16	2.50		
8.9	11244	164.50	135	2.70	GK169	4P	64	1571	22.98	14	0.90		
11	9227	134.99	135	3.30	GKA169		72	1378	20.16	15	1.00		
6.0	16732	122.39	107	1.00	GK159	8P	82	1216	17.79	16	1.10		
7.3	13701	100.22	108	1.25	GKF159		93	1078	15.77	16	1.20	GK79	
8.0	12529	91.65	108	1.35	GKA159		108	921	13.47	15	1.35	GKF79	4P
9.2	10903	79.75	109	1.55	GKAF159		117	853	12.48	15	1.10	GKA79	
6.4	15475	150.41	107	1.10	GK159	6P	133	748	10.95	15	1.25	GKAF79	
7.9	12592	122.39	108	1.35	GKF159		151	660	9.66	14	1.35		
9.7	10311	100.22	109	1.65	GKA159		170	586	8.57	14	1.45		
10.6	9429	91.65	110	1.80	GKAF159		200	500	7.31	14	1.55		
12.2	8205	79.75	110	2.10			15kW						
9.7	10281	150.41	109	1.65	GK159	4P	2.3	55078	622	161	0.90		
12	8366	122.39	110	2.00	GKF159		2.8	46046	520	171	1.05	GK189R109	4P
15	6850	100.22	110	2.50	GKA159		3.2	40202	454	171	1.20	GKA189R109	
16	6265	91.65	110	2.70	GKAF159		4.1	31435	355	171	1.55		
11	9306	136.14	77	1.30			5.6	23112	261	171	2.10		
12	8372	122.48	77	1.45	GK129	4P	4.6	28070	317	135	1.10		
13	7531	110.18	77	1.60	GKF129		5.3	24528	277	135	1.30		
16	6144	89.89	78	2.00	GKA129		6.0	21606	244	135	1.45	GK169R109	4P
18	5604	81.98	78	2.20	GKAF129		6.9	18861	213	135	1.65	GKA169R109	
21	4850	70.95	78	2.50			7.1	18153	205	135	1.75		
13	7684	112.41	55	1.00	GK109	4P	8.1	15939	180	135	1.95		
14	6887	100.75	55	1.10	GKF109		9.2	14079	159	135	2.20		
16	6218	90.96	55	1.20	GKA109		6.3	20367	230	105	0.85		
18	5647	82.61	55	1.35	GKAF109		6.9	18861	213	106	0.95	GK159R109	4P
20	5010	73.30	54	1.50	GK109		7.8	16559	187	107	1.05	GKF159R109	
22	4547	66.52	53	1.65	GKF109	4P	9.3	13902	157	108	1.30	GKA159R109	
26	3908	57.17	52	1.90	GKA109		12	10803	122	109	1.65	GKAF159R109	
29	3411	49.90	51	2.20	GKAF109		14	9475	107	110	1.90		

选型参数表
(恒功率)
Selection Table
(Constant Power)

n_a [r/min]	M_a [N.m]	i	F_{Ra} [kN]	f_B	机型号 Type size	极数 Pole	n_a [r/min]	M_a [N.m]	i	F_{Ra} [kN]	f_B	机型号 Type size	极数 Pole
15kW							15kW						
5.4	25234	179.86	171	1.90	GK189	6P	146	932	10.00	16	1.55	GK89	4P
5.9	23178	165.21	171	2.10	GKA189		176	773	8.29	15	1.70	GKF89	
7.2	18939	134.99	135	1.60	GK169	202	672	7.21	15	1.85	GKA89		
8.8	15409	109.83	135	1.95	GKA169						GKAF89		
8.9	15333	164.50	135	2.00	GK169	4P	18.5kW						
11	12583	134.99	135	2.40	GKA169		2.8	56404	520	159	0.85		
7.9	17171	122.39	107	1.00	GK159	6P	3.2	49245	454	171	1.00	GK189R109	4P
9.7	14061	100.22	108	1.20	GKF159		4.1	38506	355	171	1.25		
11	12858	91.65	108	1.35	GKA159		5.6	28310	261	171	1.70		
12	11189	79.75	109	1.55	GKAF159		6.7	23972	221	171	2.00		
14	9874	70.38	109	1.75			4.6	34385	317	135	0.90	GK169R109	4P
9.7	14020	150.41	108	1.20	GK159	5.3	30046	277	135	1.05			
12	11408	122.39	109	1.50	GKF159	6.0	26466	244	135	1.20			
15	9342	100.22	108	1.85	GKA159	6.9	23104	213	135	1.35			
16	8543	91.65	107	2.00	GKAF159	7.2	22236	205	135	1.40			
18	7434	79.75	104	2.30		8.2	19524	180	135	1.60			
11	12690	136.14	75	0.95	GK129	9.2	17247	159	135	1.80			
12	11416	122.48	76	1.10	GKF129	11	14643	135	135	2.10			
13	10270	110.18	76	1.20	GKA129	12	12799	118	135	2.40			
					GKAF129	7.9	20284	187	105	0.90	GK159R109	4P	
16	8379	89.89	77	1.45		9.4	17030	157	107	1.05			
18	7641	81.98	77	1.60	GK129	12	13233	122	108	1.35			
21	6613	70.95	78	1.85	GKF129	14	11606	107	107	1.55			
23	5835	62.60	76	2.10	GKA129								
27	5040	54.07	74	2.50	GKAF129	5.4	31122	179.86	171	1.55	GK189	6P	
31	4457	47.82	72	2.80		5.9	28587	165.21	171	1.65			
16	8478	90.96	48	0.90	GK109	6.7	25019	144.59	171	1.90			
18	7700	82.61	49	1.00	GKF109	7.5	22441	129.69	171	2.10			
20	6832	73.30	49	1.10	GKA109	8.2	20536	179.86	171	2.30	GK189	4P	
22	6200	66.52	48	1.25	GKAF109	8.9	18863	165.21	171	2.50			
26	5329	57.17	48	1.45		10	16509	144.59	171	2.90			
29	4651	49.90	48	1.60	GK109	11	14808	129.69	171	3.20			
34	3946	42.33	47	1.75	GKF109	11	15413	134.99	135	1.95	GK169	4P	
39	3449	37.00	46	2.00	GKA109	13	12540	109.83	135	2.40			
45	3046	32.68	45	2.20	GKAF109	17	10032	87.86	135	3.00			
47	2916	31.28	44	2.20		9.7	17341	100.22	106	1.00			GK159
50	2702	28.99	44	2.50		11	15858	91.65	107	1.10			
30	4468	47.93	27	0.90	GK99	12	13799	79.75	106	1.25			
35	3903	41.87	27	1.05	GKF99	14	12178	70.38	104	1.40			
38	3569	38.29	27	1.15	GKA99	12	13974	122.39	106	1.20	GK159	4P	
43	3190	34.22	27	1.30	GKAF99	15	11443	100.22	104	1.50			
47	2872	30.81	27	1.40		16	10464	91.65	102	1.65			
52	2601	27.90	27	1.55	GK99	18	9106	79.75	100	1.85			
59	2306	24.74	27	1.75	GKF99	21	8036	70.38	98	2.10			
65	2085	22.37	26	1.95	GKA99	24	6967	61.02	96	2.50			
77	1767	18.96	26	2.30	GKAF99	27	6199	54.29	94	2.80			
88	1544	16.56	25	2.70		31	5342	46.79	91	3.20			
47	2925	31.38	16	0.90		39	4341	38.02	87	3.90			
52	2598	27.87	17	0.95	GK89	13	12580	110.18	75	1.00	GK129	4P	
59	2323	24.92	17	1.00	GKF89	16	10263	89.89	75	1.20			
65	2088	22.40	17	1.05	GKA89	18	9360	81.98	75	1.30			
75	1813	19.45	17	1.20	GKAF89								
84	1623	17.41	17	1.30		21	8101	70.95	74	1.50	GK129	4P	
91	1491	16.00	16	1.15	GK89	23	7148	62.60	73	1.70			
101	1346	14.44	17	1.50	GKF89	27	6174	54.07	71	2.00			
116	1171	12.56	17	1.60	GKA89	31	5460	47.82	70	2.20			
131	1040	11.16	16	1.35	GKAF89	37	4589	40.19	68	2.70			
						40	4146	36.31	66	3.00			
						47	3587	31.42	65	3.40			
						53	3166	27.73	63	3.90			

选型参数表
(恒功率)
Selection Table
(Constant Power)

n_a [r/min]	M_a [N.m]	i	F_{Ra} [kN]	f_B	机型号 Type size	极数 Pole	n_a [r/min]	M_a [N.m]	i	F_{Ra} [kN]	f_B	机型号 Type size	极数 Pole		
18.5kW							22kW								
20	8369	73.30	44	0.90	GK109	4P	10	19632	144.59	171	2.40	GK189	4P		
22	7595	66.52	44	1.00	GKF109		11	17609	129.69	171	2.70	GKA189			
26	6528	57.17	44	1.15	GKA109		11	18329	134.99	135	1.65	GK169 GKA169			
29	5697	49.90	44	1.30	GKAF109		13	14913	109.83	135	2.00				
35	4833	42.33	44	1.45	GK109 GKF109 GKA109 GKAF109	17	11930	87.86	135	2.50	19		10610	78.14	135
40	4225	37.00	43	1.60		9.7	20622	100.22	101	0.85	GK159 GKF159 GKA159 GKAF159				
45	3731	32.68	43	1.85		11	18859	91.65	101	0.90					
47	3571	31.28	43	1.80		12	16410	79.75	100	1.05					
51	3310	28.99	42	2.10		14	14482	70.38	99	1.20					
56	3004	26.31	42	2.30		16	12556	61.02	98	1.35	GK159 GKF159 GKA159 GKAF159				
65	2582	22.61	41	2.60		12	16618	122.39	100	1.05					
74	2254	19.74	40	3.00		15	13608	100.22	99	1.25					
88	1911	16.74	38	3.50	16	12444	91.65	98	1.35						
35	4781	41.87	24	0.85	GK99	4P	18	10828	79.75	97		1.55			
48	3518	30.81	25	1.15	GKF99		21	9556	70.38	95		1.80			
53	3186	27.90	25	1.30	GKA99		24	8285	61.02	93		2.10			
59	2825	24.74	25	1.45	GKAF99		27	7371	54.29	91		2.30			
66	2554	22.37	25	1.60	GK99 GKF99 GKA99 GKAF99	31	6353	46.79	89	2.70		GK129 GKF129 GKA129 GKAF129			
78	2165	18.96	24	1.90		39	5162	38.02	85	3.30					
89	1891	16.56	24	2.20		16	12205	89.89	70	1.00					
106	1581	13.85	24	2.60		18	11131	81.98	70	1.10					
123	1369	11.99	23	2.70		21	9634	70.95	70	1.30					
59	2845	24.92	15	0.85	GK89 GKF89 GKA89 GKAF89	23	8500	62.60	69	1.45	GK129 GKF129 GKA129 GKAF129				
66	2558	22.40	15	0.85		27	7342	54.07	67	1.70					
76	2221	19.45	15	1.00		31	6493	47.82	67	1.90					
84	1988	17.41	16	1.05		37	5457	40.19	66	2.30					
102	1649	14.44	16	1.20		40	4930	36.31	64	2.50					
117	1434	12.56	16	1.30		47	4266	31.42	63	2.90					
132	1274	11.16	15	1.10		53	3765	27.73	61	3.30					
147	1142	10.00	15	1.25		61	3252	23.95	60	3.80					
177	947	8.29	14	1.40		69	2876	21.18	58	4.30					
204	823	7.21	14	1.50		26	7762	57.17	41	1.00		GK109 GKF109 GKA109 GKAF109			
22kW							29	6775	49.90	41	1.10				
3.2	58561	454	155	0.85	GK189R109 GKA189R109	35	5748	42.33	41	1.20					
4.1	45791	355	171	1.05		40	5024	37.00	41	1.35					
5.6	33666	261	171	1.45		45	4437	32.68	41	1.55					
6.7	28507	221	171	1.70		47	4247	31.28	41	1.50					
7.6	24895	193	171	1.95		51	3936	28.99	40	1.75					
9	21025	163	171	2.30	56	3572	26.31	40	1.90	GK109 GKF109 GKA109 GKAF109					
5.3	35730	277	135	0.85	65	3070	22.61	39	2.20						
6.0	31474	244	135	1.00	74	2680	19.74	38	2.50						
6.9	27475	213	135	1.15	88	2273	16.74	37	2.90						
7.2	26443	205	135	1.20	100	1986	14.63	36	3.30						
8.2	23218	180	135	1.35	109	1824	13.43	35	2.20						
9.2	20509	159	135	1.50	125	1591	11.72	34	2.60						
11	17414	135	135	1.80	148	1350	9.94	33	2.90						
12	15221	118	135	2.10	48	4183	30.81	22	0.95		GK99 GKF99 GKA99 GKAF99				
9.4	20251	157	104	0.90	53	3788	27.90	23	1.05						
12	15737	122	103	1.15	59	3359	24.74	23	1.20						
14	13802	107	102	1.30	66	3037	22.37	23	1.35						
5.4	37009	179.86	171	1.30	GK159R109 GKF159R109 GKA159R109 GKAF159R109	78	2574	18.96	23	1.60	GK99 GKF99 GKA99 GKAF99				
5.9	33995	165.21	171	1.40		89	2248	16.56	23	1.80					
6.7	29752	144.59	171	1.60		106	1881	13.85	23	2.20					
7.5	26686	129.69	171	1.80		123	1628	11.99	22	2.30					
8.6	23169	112.60	171	1.90		141	1413	10.41	21	1.90					
8.2	24421	179.86	171	1.95	169	1183	8.71	20	2.10						
8.9	22432	165.21	171	2.10	GK189	6P									
							GKA189								
						GK189	4P								
						GKA189									

选型参数表
(恒功率)
Selection Table
(Constant Power)

n_a [r/min]	M_a [N.m]	i	F_{Ra} [kN]	f_B	机型号 Type size	极数 Pole	n_a [r/min]	M_a [N.m]	i	F_{Ra} [kN]	f_B	机型号 Type size	极数 Pole	
22kW							30kW							
76	2641	19.45	14	0.80			100	2709	14.63	34	2.40	GK109		
84	2364	17.41	14	0.90			109	2487	13.43	33	1.65	GKF109	4P	
102	1961	14.44	14	1.00	GK89		125	2170	11.72	32	1.90	GKA109		
117	1705	12.56	15	1.10	GKF89	4P	148	1840	9.94	31	2.20	GKAF109		
132	1515	11.16	13	0.95	GKA89		169	1609	8.69	31	2.40			
147	1358	10.00	13	1.05	GKAF89		59	4581	24.74	19	0.90			
177	1126	8.29	14	1.20			66	4142	22.37	19	1.00			
204	979	7.21	13	1.25			78	3511	18.96	20	1.15	GK99	4P	
30kW							89	3066	16.56	20	1.35	GKF99		
5.6	45909	261	171	1.05	GK189R109	4P	106	2564	13.85	20	1.60	GKA99		
6.7	38873	221	171	1.25	GKA189R109		123	2220	11.99	20	1.65	GKAF99		
7.6	33948	193	171	1.45			141	1927	10.41	19	1.40			
9	28671	163	171	1.70			169	1613	8.71	18	1.55			
6.9	37466	213	135	0.85			37kW							
7.2	36059	205	135	0.85			5.7	56238	261	158	0.85			
8.2	31661	180	135	1.00	GK169R109	4P	6.7	47619	221	171	1.00	GK189R109	4P	
9.2	27967	159	135	1.10	GKA169R109		7.7	41586	193	171	1.15	GKA189R109		
11	23746	135	135	1.30			9	35122	163	171	1.40			
12	20756	118	135	1.50			8.2	38785	180	135	0.80			
8.2	33302	179.86	171	1.45			9	34260	159	135	9.00	GK169R109	4P	
8.9	30589	165.21	171	1.55		11	29089	135	135	1.05	GKA169R109			
10	26771	144.59	171	1.75	GK189	13	25426	118	135	1.20				
11	24013	129.69	171	2.00	GKA189	4P	8.2	40794	179.86	171	1.15		4P	
13	20848	112.60	171	2.22			9.0	37472	165.21	171	1.25			
14	18915	102.16	171	2.30			10	32795	144.59	171	1.45			
17	16293	88.00	171	2.50			11	29415	129.69	171	1.60	GK189		
13	20335	109.83	135	1.50		13	25539	112.60	171	1.75	GKA189			
17	16268	87.86	135	1.85	GK169	14	23171	102.16	171	1.85				
19	14468	78.14	135	2.10	GKA169	17	19960	88.00	171	2.00				
22	12605	68.08	135	2.40			13	24911	109.83	135	1.20			
24	11246	60.74	135	2.70			17	19928	87.86	135	1.50			
15	18556	100.22	88	0.90			19	17723	78.14	135	1.70	GK169	4P	
16	16969	91.65	88	1.00		22	15441	68.08	135	1.95	GKA169			
18	14766	79.75	88	1.15	GK159	24	13777	60.74	135	2.20				
21	13031	70.38	87	1.30	GKF159	29	11742	51.77	135	2.60				
24	11298	61.02	86	1.50	GKA159	4P	16	20787	91.65	79	0.80	GK159	4P	
27	10052	54.29	85	1.70	GKAF159		19	18088	79.75	80	0.95	GKF159		
31	8663	46.79	83	1.95							GKA159			
39	7040	38.02	81	2.40							GKAF159			
47	5795	31.30	78	3.00			21	15963	70.38	81	1.05			
21	13137	70.95	61	0.95			24	13840	61.02	80	1.25	GK159	4P	
23	11591	62.60	61	1.05		27	12314	54.29	80	1.40	GKF159			
27	10011	54.07	61	1.25		32	10613	46.79	79	1.60	GKA159			
31	8854	47.82	61	1.40	GK129	39	8623	38.02	77	1.95	GKAF159			
37	7441	40.19	61	1.65	GKF129	47	7099	31.30	75	2.40				
40	6723	36.31	60	1.85	GKA129		24	14198	62.60	55	0.85	GK129		4P
47	5818	31.42	59	2.10	GKAF129	27	12264	54.07	56	1.00	GKF129			
53	5134	27.73	58	2.40		31	10846	47.82	56	1.15	GKA129			
61	4434	23.95	57	2.80		37	9116	40.19	56	1.35	GKAF129			
69	3922	21.18	56	3.00		41	8236	36.31	56	1.50				
35	7838	42.33	34	0.90	GK109	4P	47	7126	31.42	56	1.70			
40	6851	37.00	36	1.00	GKF109		53	6290	27.73	55	1.95			
47	5792	31.28	34	1.10	GKA109		62	5432	23.95	54	2.30	GK129	4P	
					GKAF109		70	4804	21.18	53	2.60	GKF129		
51	5368	28.99	36	1.25	GK109	83	4037	17.80	52	3.00	GKA129			
56	4871	26.31	36	1.40	GKF109	103	3262	14.38	50	3.50	GKAF129			
65	4186	22.61	36	1.65	GKA109	116	2905	12.81	48	2.80				
74	3655	19.74	36	1.85	GKAF109	138	2441	10.76	46	3.10				
88	3099	16.74	35	2.20		170	1971	8.69	44	3.50				

**选型参数表
(恒功率)**
**Selection Table
(Constant Power)**

n_a [r/min]	M_a [N.m]	i	F_{Ra} [kN]	f_B	机型号 Type size	极数 Pole	n_a [r/min]	M_a [N.m]	i	F_{Ra} [kN]	f_B	机型号 Type size	极数 Pole
37kW							45kW						
40	8392	37.00	28	0.80	GK109 GKF109 GKA109 GKAF109	4P	51	7997	28.99	24	0.85	GK109	4P
47	7095	31.28	30	0.90			56	7258	26.31	27	0.95	GKF109	
51	6575	28.99	32	1.05			65	6237	22.61	29	1.10	GKA109	
56	5967	26.31	33	1.15			75	5445	19.74	30	1.25	GKAF109	
65	5128	22.61	33	1.30			88	4618	16.74	30	1.45		
75	4477	19.74	33	1.50			101	4036	14.63	30	1.60	GK109	
88	3797	16.74	33	1.75			110	3705	13.43	28	1.10	GKF109	
101	3318	14.63	32	1.95			126	3233	11.72	28	1.25	GKA109	
110	3046	13.43	31	1.35			149	2742	9.94	28	1.45	GKAF109	
126	2658	11.72	30	1.55			170	2397	8.69	28	1.60		
149	2255	9.94	30	1.75									
170	1971	8.69	29	1.95									
45kW							55kW						
6.7	57915	221	155	0.85	GK189R109 GKA189R109	4P	10	48749	144.59	169	0.95	GK189 GKA189	4P
7.7	50578	193	167	0.95			11	43725	129.69	171	1.10		
9	42716	163	171	1.15			13	37964	112.60	171	1.15		
11	35378	135	135	0.85	14	34444	102.16	170	1.25				
13	30923	118	135	1.00	17	29670	88.00	168	1.35				
8	47134	179.86	167	0.95	20	24936	73.96	166	1.60				
9	43295	165.21	171	1.05	23	21591	64.04	162	1.90				
10	37891	144.59	171	1.20	17	29622	87.86	131	1.00				
11	33987	129.69	171	1.30	19	26345	78.14	130	1.15				
13	29508	112.60	171	1.45	22	22953	68.08	129	1.30				
14	26772	102.16	171	1.50	24	20479	60.74	128	1.50				
17	23061	88.00	171	1.65	29	17454	51.77	125	1.75				
20	19382	73.96	171	1.95	34	14464	42.90	121	2.10				
13	28782	109.83	135	1.00	40	12343	36.61	119	2.50				
17	23025	87.86	135	1.25	24	20573	61.02	66	0.85				
19	20477	78.14	135	1.40	27	18304	54.29	67	0.95				
22	17841	68.08	135	1.60	32	15775	46.79	68	1.10				
24	15918	60.74	134	1.80	39	12819	38.02	68	1.35				
29	13567	51.77	130	2.10	47	10553	31.30	67	1.60				
34	11242	42.90	127	2.60	54	9312	27.62	67	1.85				
21	19415	70.38	73	0.85	62	8075	23.95	66	2.10				
24	16833	61.02	74	1.00	69	7185	21.31	65	2.40				
27	14976	54.29	74	1.15	81	6194	18.37	64	2.80				
32	12907	46.79	74	1.30	99	5030	14.92	62	3.40				
39	10488	38.02	73	1.60	117	4268	12.66	60	3.80				
47	8634	31.30	72	1.95	37	13550	40.19	45	0.90				
54	7619	27.62	71	2.20	47	10593	31.42	47	1.15				
62	6607	23.95	69	2.60	53	9349	27.73	47	1.30				
69	5878	21.31	68	2.90	62	8075	23.95	47	1.55				
81	5067	18.37	66	3.30	70	7141	21.18	47	1.75				
31	13191	47.82	50	0.95	83	6001	17.80	47	2.00				
37	11087	40.19	51	1.10	103	4848	14.38	46	2.40				
41	10016	36.31	51	1.25	116	4319	12.81	44	1.85				
47	8667	31.42	52	1.40	138	3628	10.76	43	2.10				
53	7649	27.73	51	1.60	170	2930	8.69	41	2.30				
62	6607	23.95	51	1.85									
70	5843	21.18	51	2.10									
83	4910	17.80	50	2.50									
103	3967	14.38	48	2.90									
116	3534	12.81	46	2.30									
138	2968	10.76	45	2.50									
170	2397	8.69	43	2.80									
75kW							45kW						
11	59626	129.69	148	0.80	GK129 GKF129 GKA129 GKAF129	4P	11	59626	129.69	148	0.80	GK189 GKA189	4P
13	51768	112.60	149	0.90			13	51768	112.60	149	0.90		
14	46969	102.16	150	1.00			14	46969	102.16	150	1.00		
17	40458	88.00	150	1.15			17	40458	88.00	150	1.15		
20	34003	73.96	149	1.40			20	34003	73.96	149	1.40		
23	29443	64.04	147	1.60			23	29443	64.04	147	1.60		
28	24533	53.36	144	1.95			28	24533	53.36	144	1.95		
33	20919	45.50	141	2.30			33	20919	45.50	141	2.30		

选型参数表
(恒功率)
Selection Table
(Constant Power)

n_a [r/min]	M_a [N.m]	i	F_{Ra} [kN]	f_B	机型号 Type size	极数 Pole	n_a [r/min]	M_a [N.m]	i	F_{Ra} [kN]	f_B	机型号 Type size	极数 Pole																																																																																																																																																																																																																																																																																																																																																																																																																																																																																																					
75kW							90kW																																																																																																																																																																																																																																																																																																																																																																																																																																																																																																											
19	35925	78.14	113	0.85	GK169 GKA169	4P	62	13125	23.95	35	0.95	GK129 GKF129 GKA129 GKAF129	4P																																																																																																																																																																																																																																																																																																																																																																																																																																																																																																					
22	31300	68.08	114	0.95			24	27926	60.74	115	1.10			29	23802	51.77	114	1.30	34	19723	42.90	113	1.55	40	16832	36.61	111	1.80	46	14781	32.15	109	2.10	52	13186	28.68	107	2.30	61	11241	24.45	105	2.70	39	17480	38.02	58	1.00	110kW							110kW							47	14390	31.30	59	1.20	GK159 GKF159 GKA159 GKAF159	4P	17	58941	88.00	122	0.80	GK189 GKA189	4P	54	12698	27.62	59	1.35	62	11011	23.95	59	1.55	69	9797	21.31	59	1.75	81	8446	18.37	59	2.00	99	6860	14.92	57	2.50	117	5820	12.66	56	2.80	47	14446	31.42	37	0.85	53	12749	27.73	39	0.95	62	11011	23.95	40	1.10	GK129 GKF129 GKA129 GKAF129	4P	70	9738	21.18	41	1.25	83	8184	17.80	41	1.50	103	6611	14.38	42	1.75	116	5889	12.81	39	1.40	138	4947	10.76	39	1.55	170	3995	8.69	38	1.70	29	34675	51.77	95	0.85	35	28734	42.90	97	1.05	GK169 GKA169	4P	41	24521	36.61	97	1.25	46	21533	32.15	97	1.40	52	19209	28.68	97	1.55	61	16376	24.45	95	1.85	74	13570	20.26	94	2.20	86	11581	17.29	92	2.60	62	16041	23.95	48	1.05	70	14273	21.31	49	1.10	GK159 GKF159 GKA159 GKAF159	4P	81	12304	18.37	50	1.15	100	9993	14.92	50	1.26	118	8479	12.66	50	1.35	90kW							132kW							15	55984	102.16	136	0.85	GK189 GKA189	4P	20	59444	73.96	111	0.80	GK189 GKA189	4P	17	48224	88.00	138	1.00	20	40530	73.96	139	1.15	23	35094	64.04	138	1.35	28	29241	53.36	137	1.60	33	24934	45.50	134	1.90	35	23296	42.51	134	2.00	39	21136	38.57	134	2.20	22	37308	68.08	104	0.80	25	33286	60.74	105	0.90	GK169 GKA169	4P	29	28370	51.77	106	1.05	35	23509	42.90	106	1.30	41	20062	36.61	105	1.50	46	17618	32.15	104	1.70	52	15717	28.68	103	1.90	61	13399	24.45	101	2.30	74	11103	20.26	98	2.70	86	9475	17.29	95	3.20	39	20835	38.02	50	0.80	48	17153	31.30	53	1.00	GK159 GKF159 GKA159 GKAF159	4P	54	15136	27.62	54	1.10	62	13125	23.95	55	1.30	70	11678	21.31	55	1.45	81	10067	18.37	55	1.70	100	8176	14.92	55	2.10	118	6938	12.66	54	2.30	35	34480	42.90	87	0.90	41	29425	36.61	89	1.05	GK169 GKA169	4P	46	25840	32.15	90	1.15	52	23051	28.68	90	1.30	61	19651	24.45	90	1.55	74	16284	20.26	89	1.85	86	13897	17.29	88	2.20																																																																																		
24	27926	60.74	115	1.10			29	23802	51.77	114	1.30			34	19723	42.90	113	1.55	40	16832	36.61	111	1.80	46	14781	32.15	109	2.10	52	13186	28.68	107	2.30	61	11241	24.45	105	2.70	39	17480	38.02	58	1.00	110kW							110kW							47	14390	31.30	59	1.20	GK159 GKF159 GKA159 GKAF159	4P	17	58941	88.00			122	0.80	GK189 GKA189	4P	54			12698	27.62	59	1.35	62	11011	23.95	59	1.55	69	9797	21.31	59	1.75	81	8446	18.37	59	2.00	99	6860	14.92	57	2.50	117	5820	12.66	56	2.80	47	14446	31.42	37	0.85	53	12749	27.73	39	0.95	62	11011	23.95	40	1.10	GK129 GKF129 GKA129 GKAF129			4P	70	9738	21.18	41	1.25	83	8184	17.80	41	1.50	103	6611	14.38	42	1.75	116	5889	12.81	39	1.40	138	4947	10.76	39	1.55	170	3995	8.69	38	1.70	29	34675	51.77	95	0.85	35	28734	42.90	97			1.05	GK169 GKA169	4P	41	24521	36.61	97	1.25	46	21533	32.15	97	1.40	52	19209	28.68	97	1.55	61	16376	24.45	95	1.85	74	13570	20.26	94	2.20	86	11581	17.29	92	2.60	62	16041	23.95	48	1.05	70	14273			21.31	49	1.10	GK159 GKF159 GKA159 GKAF159	4P	81	12304	18.37	50	1.15	100	9993	14.92	50	1.26	118	8479	12.66	50	1.35	90kW							132kW									15	55984	102.16	136	0.85			GK189 GKA189	4P	20	59444	73.96	111	0.80	GK189 GKA189	4P	17	48224	88.00	138	1.00	20	40530	73.96	139	1.15	23	35094	64.04	138	1.35	28	29241	53.36	137	1.60	33	24934	45.50	134	1.90	35	23296	42.51	134	2.00	39	21136	38.57	134	2.20	22			37308	68.08	104	0.80	25	33286	60.74	105	0.90	GK169 GKA169	4P	29	28370	51.77	106	1.05	35	23509	42.90	106	1.30	41	20062	36.61	105	1.50	46	17618	32.15	104	1.70	52	15717	28.68	103	1.90	61	13399	24.45	101	2.30	74	11103	20.26	98	2.70	86	9475	17.29	95			3.20	39	20835	38.02	50	0.80	48	17153	31.30	53	1.00	GK159 GKF159 GKA159 GKAF159	4P	54	15136	27.62	54	1.10	62	13125	23.95	55	1.30	70	11678	21.31	55	1.45	81	10067	18.37	55	1.70	100	8176	14.92	55	2.10	118	6938			12.66	54	2.30	35	34480	42.90	87	0.90	41	29425	36.61	89	1.05	GK169 GKA169	4P	46	25840	32.15	90	1.15	52	23051	28.68	90	1.30	61	19651	24.45	90	1.55	74	16284	20.26	89	1.85	86	13897	17.29	88	2.20																																																																			
29	23802	51.77	114	1.30			34	19723	42.90	113	1.55			40	16832	36.61	111	1.80	46	14781	32.15	109	2.10	52	13186	28.68	107	2.30	61	11241	24.45	105	2.70	39	17480	38.02	58	1.00	110kW							110kW							47	14390	31.30	59	1.20	GK159 GKF159 GKA159 GKAF159	4P	17	58941	88.00			122	0.80	GK189 GKA189			4P	54			12698			27.62	59	1.35	62	11011	23.95	59	1.55	69	9797	21.31	59	1.75	81	8446	18.37	59	2.00	99	6860	14.92	57	2.50	117	5820	12.66	56	2.80	47	14446	31.42	37	0.85	53	12749	27.73	39	0.95	62	11011	23.95	40	1.10	GK129 GKF129 GKA129 GKAF129					4P	70	9738	21.18	41	1.25	83	8184	17.80	41	1.50	103	6611	14.38	42	1.75	116	5889	12.81	39	1.40	138	4947	10.76	39	1.55	170	3995	8.69	38	1.70	29	34675	51.77	95	0.85	35	28734	42.90			97			1.05	GK169 GKA169	4P	41	24521	36.61	97	1.25	46	21533	32.15	97	1.40	52	19209	28.68	97	1.55	61	16376	24.45	95	1.85	74	13570	20.26	94	2.20	86	11581	17.29	92	2.60	62	16041	23.95	48			1.05	70	14273			21.31	49	1.10	GK159 GKF159 GKA159 GKAF159	4P	81	12304	18.37	50	1.15	100	9993	14.92	50	1.26	118	8479	12.66	50	1.35	90kW							132kW							15	55984					102.16	136	0.85	GK189 GKA189	4P			20	59444	73.96	111	0.80	GK189 GKA189	4P	17	48224	88.00	138	1.00	20	40530	73.96	139	1.15	23	35094	64.04	138	1.35	28	29241	53.36	137	1.60	33	24934	45.50	134	1.90	35	23296	42.51	134			2.00	39	21136	38.57	134	2.20	22	37308	68.08			104	0.80	25	33286	60.74	105	0.90	GK169 GKA169	4P	29	28370	51.77	106	1.05	35	23509	42.90	106	1.30	41	20062	36.61	105	1.50	46	17618	32.15	104	1.70	52	15717	28.68	103	1.90	61	13399	24.45	101	2.30			74	11103	20.26	98	2.70	86	9475	17.29	95	3.20	39			20835	38.02	50	0.80	48	17153	31.30	53	1.00	GK159 GKF159 GKA159 GKAF159	4P	54	15136	27.62	54	1.10	62	13125	23.95	55	1.30	70	11678	21.31	55	1.45	81			10067	18.37	55	1.70	100	8176	14.92	55	2.10	118	6938	12.66	54			2.30	35	34480	42.90	87	0.90	41	29425	36.61	89	1.05	GK169 GKA169	4P	46	25840	32.15	90	1.15	52	23051	28.68	90	1.30	61	19651	24.45	90	1.55	74	16284	20.26	89	1.85	86	13897	17.29	88	2.20																																																						
34	19723	42.90	113	1.55			40	16832	36.61	111	1.80			46	14781	32.15	109	2.10	52	13186	28.68	107	2.30	61	11241	24.45	105	2.70	39	17480	38.02	58	1.00	110kW							110kW							47	14390	31.30	59	1.20	GK159 GKF159 GKA159 GKAF159	4P	17	58941	88.00			122	0.80	GK189 GKA189			4P	54					12698			27.62			59	1.35	62	11011	23.95	59	1.55	69	9797	21.31	59	1.75	81	8446	18.37	59	2.00	99	6860	14.92	57	2.50	117	5820	12.66	56	2.80	47	14446	31.42	37	0.85	53	12749	27.73	39	0.95	62	11011	23.95	40	1.10	GK129 GKF129 GKA129 GKAF129							4P	70	9738	21.18	41	1.25	83	8184	17.80	41	1.50	103	6611	14.38	42	1.75	116	5889	12.81	39	1.40	138	4947	10.76	39	1.55	170	3995	8.69	38	1.70	29	34675	51.77	95	0.85	35	28734			42.90			97			1.05	GK169 GKA169	4P	41	24521	36.61	97	1.25	46	21533	32.15	97	1.40	52	19209	28.68	97	1.55	61	16376	24.45	95	1.85	74	13570	20.26	94	2.20	86	11581	17.29	92	2.60	62			16041	23.95	48			1.05	70	14273			21.31	49	1.10	GK159 GKF159 GKA159 GKAF159	4P	81	12304	18.37	50	1.15	100	9993	14.92	50	1.26	118	8479	12.66	50	1.35	90kW							132kW								15	55984	102.16					136	0.85	GK189 GKA189	4P	20			59444	73.96	111	0.80	GK189 GKA189	4P	17	48224	88.00	138	1.00	20	40530	73.96	139	1.15	23	35094	64.04	138	1.35	28	29241	53.36	137	1.60	33	24934	45.50			134	1.90	35	23296	42.51	134	2.00	39	21136			38.57	134	2.20	22	37308	68.08	104			0.80	25	33286	60.74	105	0.90	GK169 GKA169	4P	29	28370	51.77	106	1.05	35	23509	42.90	106	1.30	41	20062	36.61	105	1.50	46	17618	32.15	104	1.70	52	15717			28.68	103	1.90	61	13399	24.45	101	2.30	74	11103	20.26			98	2.70	86	9475	17.29	95	3.20	39	20835			38.02	50	0.80	48	17153	31.30	53	1.00	GK159 GKF159 GKA159 GKAF159	4P	54	15136	27.62	54	1.10	62			13125	23.95	55	1.30	70	11678	21.31	55	1.45	81	10067	18.37	55			1.70	100	8176	14.92	55	2.10	118	6938	12.66	54	2.30			35	34480	42.90	87	0.90	41	29425	36.61	89	1.05	GK169 GKA169	4P	46	25840	32.15	90	1.15	52	23051	28.68	90	1.30	61	19651	24.45	90	1.55	74	16284	20.26	89	1.85	86	13897	17.29	88	2.20																																										
40	16832	36.61	111	1.80			46	14781	32.15	109	2.10			52	13186	28.68	107	2.30	61	11241	24.45	105	2.70	39	17480	38.02	58	1.00	110kW							110kW							47	14390	31.30	59	1.20	GK159 GKF159 GKA159 GKAF159	4P	17	58941	88.00			122	0.80	GK189 GKA189			4P	54					12698					27.62			59			1.35	62	11011	23.95	59	1.55	69	9797	21.31	59	1.75	81	8446	18.37	59	2.00	99	6860	14.92	57	2.50	117	5820	12.66	56	2.80	47	14446	31.42	37	0.85	53	12749	27.73	39	0.95	62	11011	23.95	40	1.10	GK129 GKF129 GKA129 GKAF129									4P	70	9738	21.18	41	1.25	83	8184	17.80	41	1.50	103	6611	14.38	42	1.75	116	5889	12.81	39	1.40	138	4947	10.76	39	1.55	170	3995	8.69	38	1.70	29	34675	51.77	95	0.85	35			28734			42.90			97			1.05	GK169 GKA169	4P	41	24521	36.61	97	1.25	46	21533	32.15	97	1.40	52	19209	28.68	97	1.55	61	16376	24.45	95	1.85	74	13570	20.26	94	2.20	86	11581	17.29	92	2.60	62	16041	23.95			48	1.05	70			14273	21.31	49			1.10	GK159 GKF159 GKA159 GKAF159	4P	81	12304	18.37	50	1.15	100	9993	14.92	50	1.26	118	8479	12.66	50	1.35	90kW							132kW							15					55984	102.16			136			0.85	GK189 GKA189	4P	20			59444	73.96	111	0.80	GK189 GKA189	4P	17	48224	88.00	138	1.00	20	40530	73.96	139	1.15	23	35094	64.04	138	1.35	28	29241			53.36	137	1.60	33	24934	45.50	134	1.90	35			23296	42.51	134	2.00	39	21136	38.57			134	2.20	22	37308	68.08	104			0.80	25	33286	60.74	105	0.90	GK169 GKA169	4P	29	28370	51.77	106	1.05	35	23509	42.90	106	1.30	41	20062	36.61	105			1.50	46	17618	32.15	104	1.70	52	15717	28.68	103	1.90			61	13399	24.45	101	2.30	74	11103	20.26	98			2.70	86	9475	17.29	95	3.20	39	20835			38.02	50	0.80	48	17153	31.30			53	1.00	GK159 GKF159 GKA159 GKAF159	4P	54	15136	27.62	54	1.10	62	13125	23.95	55			1.30	70	11678	21.31	55	1.45	81	10067	18.37	55	1.70			100	8176	14.92	55	2.10	118	6938	12.66	54	2.30			35	34480	42.90	87	0.90	41	29425	36.61	89	1.05	GK169 GKA169	4P	46	25840	32.15	90	1.15	52	23051	28.68	90	1.30	61	19651	24.45	90	1.55	74	16284	20.26	89	1.85	86	13897	17.29	88	2.20																														
46	14781	32.15	109	2.10			52	13186	28.68	107	2.30			61	11241	24.45	105	2.70	39	17480	38.02	58	1.00	110kW							110kW							47	14390	31.30	59	1.20	GK159 GKF159 GKA159 GKAF159	4P	17	58941	88.00			122	0.80	GK189 GKA189			4P	54					12698					27.62					59			1.35			62	11011	23.95	59	1.55	69	9797	21.31	59	1.75	81	8446	18.37	59	2.00	99	6860	14.92	57	2.50	117	5820	12.66	56	2.80	47	14446	31.42	37	0.85	53	12749	27.73	39	0.95	62	11011	23.95	40	1.10	GK129 GKF129 GKA129 GKAF129											4P	70	9738	21.18	41	1.25	83	8184	17.80	41	1.50	103	6611	14.38	42	1.75	116	5889	12.81	39	1.40	138	4947	10.76	39	1.55	170	3995	8.69	38	1.70	29	34675	51.77	95	0.85			35			28734			42.90			97			1.05	GK169 GKA169	4P	41	24521	36.61	97	1.25	46	21533	32.15	97	1.40	52	19209	28.68	97	1.55	61	16376	24.45	95	1.85	74	13570	20.26	94	2.20	86	11581	17.29	92	2.60	62	16041	23.95	48	1.05			70	14273	21.31			49			1.10	GK159 GKF159 GKA159 GKAF159	4P	81	12304	18.37	50	1.15	100	9993	14.92	50	1.26	118	8479	12.66			50	1.35	90kW							132kW							15	55984			102.16			136			0.85			GK189 GKA189	4P	20	59444			73.96	111	0.80	GK189 GKA189	4P	17	48224	88.00	138	1.00	20	40530	73.96	139	1.15	23	35094			64.04	138	1.35	28	29241	53.36	137	1.60	33			24934	45.50	134	1.90	35	23296	42.51			134	2.00	39	21136	38.57	134			2.20	22	37308	68.08	104	0.80			25	33286	60.74	105	0.90	GK169 GKA169	4P	29	28370	51.77	106	1.05	35	23509			42.90	106	1.30	41	20062	36.61	105	1.50	46	17618	32.15			104	1.70	52	15717	28.68	103	1.90	61	13399			24.45	101	2.30	74	11103	20.26	98	2.70			86	9475	17.29	95	3.20	39			20835	38.02			50	0.80	48	17153	31.30	53	1.00	GK159 GKF159 GKA159 GKAF159	4P			54	15136	27.62	54	1.10	62	13125	23.95	55	1.30	70			11678	21.31	55	1.45	81	10067	18.37	55	1.70	100			8176	14.92	55	2.10	118	6938	12.66	54	2.30	35			34480	42.90	87	0.90	41	29425	36.61	89	1.05	GK169 GKA169	4P	46	25840	32.15	90	1.15	52	23051	28.68	90	1.30	61	19651	24.45	90	1.55	74	16284	20.26	89	1.85	86	13897	17.29	88	2.20																			
52	13186	28.68	107	2.30			61	11241	24.45	105	2.70			39	17480	38.02	58	1.00	110kW							110kW							47	14390	31.30	59	1.20	GK159 GKF159 GKA159 GKAF159	4P	17	58941	88.00			122	0.80	GK189 GKA189			4P	54					12698					27.62					59					1.35			62			11011	23.95	59	1.55	69	9797	21.31	59	1.75	81	8446	18.37	59	2.00	99	6860	14.92	57	2.50	117	5820	12.66	56	2.80	47	14446	31.42	37	0.85	53	12749	27.73	39	0.95	62	11011	23.95	40	1.10	GK129 GKF129 GKA129 GKAF129													4P	70	9738	21.18	41	1.25	83	8184	17.80	41	1.50	103	6611	14.38	42	1.75	116	5889	12.81	39	1.40	138	4947	10.76	39	1.55	170	3995	8.69	38	1.70	29	34675	51.77	95			0.85			35			28734			42.90			97			1.05	GK169 GKA169	4P	41	24521	36.61	97	1.25	46	21533	32.15	97	1.40	52	19209	28.68	97	1.55	61	16376	24.45	95	1.85	74	13570	20.26	94	2.20	86	11581	17.29	92	2.60	62	16041	23.95	48	1.05	70	14273			21.31			49			1.10	GK159 GKF159 GKA159 GKAF159	4P	81	12304	18.37	50	1.15	100	9993	14.92	50	1.26			118	8479	12.66	50	1.35					90kW							132kW							15			55984					102.16	136			0.85	GK189 GKA189	4P			20	59444	73.96	111	0.80	GK189 GKA189	4P	17	48224	88.00	138	1.00			20	40530	73.96	139	1.15	23	35094	64.04	138			1.35	28	29241	53.36	137	1.60	33			24934	45.50	134	1.90	35	23296			42.51	134	2.00	39	21136	38.57			134	2.20	22	37308	68.08			104	0.80	25	33286	60.74	105	0.90			GK169 GKA169	4P	29	28370	51.77	106	1.05	35	23509	42.90	106			1.30	41	20062	36.61	105	1.50	46	17618	32.15			104	1.70	52	15717	28.68	103	1.90	61			13399	24.45	101	2.30	74	11103			20.26	98			2.70	86	9475	17.29	95	3.20	39					20835	38.02	50	0.80	48	17153	31.30	53	1.00	GK159 GKF159 GKA159 GKAF159	4P			54	15136	27.62	54	1.10	62	13125	23.95	55	1.30			70	11678	21.31	55	1.45	81	10067	18.37	55	1.70			100	8176	14.92	55	2.10	118	6938	12.66	54			2.30	35	34480	42.90	87	0.90	41	29425	36.61	89	1.05	GK169 GKA169	4P	46	25840	32.15	90	1.15	52	23051	28.68	90	1.30	61	19651	24.45	90	1.55	74	16284	20.26	89	1.85	86	13897	17.29	88	2.20						
61	11241	24.45	105	2.70			39	17480	38.02	58	1.00			110kW							110kW							47	14390	31.30	59	1.20	GK159 GKF159 GKA159 GKAF159	4P	17	58941	88.00			122	0.80	GK189 GKA189			4P	54					12698					27.62					59					1.35					62			11011			23.95	59	1.55	69	9797	21.31	59	1.75	81	8446	18.37	59	2.00	99	6860	14.92	57	2.50	117	5820	12.66	56	2.80	47	14446	31.42	37	0.85	53	12749	27.73	39	0.95	62	11011	23.95	40	1.10	GK129 GKF129 GKA129 GKAF129															4P	70	9738	21.18	41	1.25	83	8184	17.80	41	1.50	103	6611	14.38	42	1.75	116	5889	12.81	39	1.40	138	4947	10.76	39	1.55	170	3995	8.69	38	1.70	29	34675	51.77			95			0.85			35			28734			42.90			97			1.05	GK169 GKA169	4P	41	24521	36.61	97	1.25	46	21533	32.15	97	1.40	52	19209	28.68	97	1.55	61	16376	24.45	95	1.85	74	13570	20.26	94	2.20	86	11581	17.29	92	2.60	62	16041	23.95	48	1.05	70	14273			21.31			49			1.10	GK159 GKF159 GKA159 GKAF159	4P	81	12304	18.37	50	1.15	100	9993			14.92	50	1.26	118	8479					12.66	50	1.35					90kW							132kW								15	55984			102.16					136	0.85	GK189 GKA189	4P	20			59444	73.96	111	0.80	GK189 GKA189			4P	17	48224	88.00	138	1.00	20	40530	73.96			139	1.15	23	35094	64.04	138	1.35			28	29241	53.36	137	1.60	33			24934	45.50	134	1.90	35	23296			42.51	134	2.00	39	21136			38.57	134	2.20	22	37308	68.08	104					0.80	25	33286	60.74	105	0.90	GK169 GKA169	4P	29			28370	51.77	106	1.05	35	23509	42.90	106	1.30			41	20062	36.61	105	1.50	46	17618	32.15			104	1.70	52	15717	28.68	103			1.90	61			13399	24.45	101	2.30	74	11103	20.26					98	2.70	86	9475	17.29	95	3.20	39	20835					38.02	50	0.80	48	17153	31.30	53	1.00	GK159 GKF159 GKA159 GKAF159	4P			54	15136	27.62	54	1.10	62	13125	23.95	55	1.30			70	11678	21.31	55	1.45	81	10067	18.37	55			1.70	100	8176	14.92	55	2.10	118	6938	12.66	54	2.30			35	34480	42.90	87	0.90	41	29425	36.61	89	1.05	GK169 GKA169	4P	46	25840	32.15	90	1.15	52	23051	28.68	90	1.30	61	19651	24.45	90	1.55	74	16284	20.26	89
39	17480	38.02	58	1.00			110kW							110kW							47	14390	31.30	59	1.20	GK159 GKF159 GKA159 GKAF159	4P	17	58941	88.00	122	0.80			GK189 GKA189	4P	54			12698	27.62					59					1.35					62					11011					23.95		59	1.55		69			9797	21.31	59	1.75	81	8446	18.37	59	2.00	99	6860	14.92	57	2.50	117	5820	12.66	56	2.80	47	14446	31.42	37	0.85	53	12749	27.73	39	0.95	62	11011	23.95	40	1.10	GK129 GKF129 GKA129 GKAF129	4P	70	9738	21.18	41	1.25								83	8184								17.80	41	1.50	103	6611	14.38	42	1.75	116	5889	12.81	39	1.40	138	4947	10.76	39	1.55	170	3995	8.69	38	1.70	29	34675	51.77	95	0.85	35	28734	42.90	97	1.05	GK169 GKA169	4P	41			24521			36.61			97			1.25			46			21533			32.15	97	1.40	52	19209	28.68	97	1.55	61	16376	24.45	95	1.85	74	13570	20.26	94	2.20	86	11581	17.29	92	2.60	62	16041	23.95	48	1.05	70	14273	21.31	49	1.10	GK159 GKF159 GKA159 GKAF159	4P	81	12304	18.37	50	1.15			100			9993			14.92	50	1.26	118	8479	12.66	50	1.35	90kW										132kW							15	55984			102.16			136			0.85					GK189 GKA189	4P			20					59444	73.96			111			0.80	GK189 GKA189	4P	17		48224	88.00		138	1.00	20	40530	73.96	139	1.15	23			35094	64.04	138	1.35	28	29241	53.36			137	1.60	33	24934	45.50	134			1.90	35	23296	42.51	134	2.00			39	21136	38.57	134	2.20			22	37308	68.08	104	0.80	25	33286	60.74	105			0.90	GK169 GKA169	4P	29	28370	51.77			106			1.05	35	23509	42.90	106	1.30	41	20062	36.61			105	1.50	46	17618	32.15	104	1.70	52			15717	28.68	103	1.90	61	13399	24.45	101	2.30	74			11103	20.26	98	2.70	86	9475	17.29					95	3.20	39	20835	38.02	50	0.80	48	17153					31.30	53	1.00	GK159 GKF159 GKA159 GKAF159	4P	54	15136	27.62					54	1.10	62	13125	23.95	55	1.30	70	11678	21.31			55	1.45	81	10067	18.37	55	1.70	100	8176			14.92	55	2.10	118	6938	12.66	54	2.30	35	34480	42.90			87	0.90	41	29425	36.61	89	1.05	GK169 GKA169	4P	46			25840	32.15	90	1.15	52	23051	28.68	90	1.30	61	19651	24.45	90	1.55	74	16284	20.26	89	1.85
110kW							110kW																																																																																																																																																																																																																																																																																																																																																																																																																																																																																																											
47	14390	31.30	59	1.20	GK159 GKF159 GKA159 GKAF159	4P	17	58941	88.00	122	0.80	GK189 GKA189	4P																																																																																																																																																																																																																																																																																																																																																																																																																																																																																																					
54	12698	27.62	59	1.35			62	11011	23.95	59	1.55			69	9797	21.31	59	1.75	81	8446	18.37	59	2.00	99	6860			14.92	57	2.50	117	5820					12.66			56	2.80					47					14446		31.42	37		0.85		53	12749		27.73	39	0.95	62	11011	23.95	40	1.10	GK129 GKF129 GKA129 GKAF129	4P	70	9738	21.18	41	1.25	83	8184	17.80	41	1.50	103	6611	14.38	42	1.75	116	5889	12.81	39	1.40	138	4947	10.76	39	1.55	170	3995	8.69	38	1.70	29	34675	51.77	95	0.85	35	28734			42.90	97	1.05	GK169 GKA169	4P					41	24521	36.61	97	1.25	46	21533	32.15					97	1.40	52	19209	28.68	97	1.55	61	16376	24.45	95	1.85	74	13570	20.26	94	2.20	86	11581	17.29	92	2.60	62	16041	23.95	48	1.05	70	14273	21.31	49	1.10	GK159 GKF159 GKA159 GKAF159			4P	81	12304	18.37	50	1.15	100	9993	14.92	50			1.26			118			8479			12.66	50	1.35	90kW							132kW							15	55984	102.16	136	0.85	GK189 GKA189	4P	20	59444	73.96	111	0.80	GK189 GKA189	4P	17	48224			88.00	138	1.00	20	40530	73.96	139	1.15	23	35094	64.04	138	1.35	28	29241	53.36	137	1.60	33	24934	45.50	134	1.90	35	23296	42.51	134			2.00	39	21136	38.57	134	2.20	22			37308	68.08	104	0.80	25			33286			60.74									105					0.90	GK169 GKA169			4P			29			28370		51.77	106		1.05	35	23509	42.90	106	1.30	41	20062	36.61	105	1.50	46	17618	32.15	104	1.70	52	15717	28.68	103	1.90	61	13399	24.45	101	2.30	74	11103	20.26	98	2.70	86	9475			17.29	95	3.20	39	20835			38.02	50	0.80	48	17153	31.30	53	1.00	GK159 GKF159 GKA159 GKAF159			4P			54	15136	27.62			54	1.10	62	13125	23.95	55	1.30	70	11678	21.31	55	1.45	81	10067	18.37	55	1.70	100	8176	14.92	55	2.10	118	6938	12.66	54	2.30	35	34480	42.90	87	0.90	41	29425			36.61	89	1.05	GK169 GKA169	4P	46	25840			32.15	90	1.15	52	23051	28.68	90	1.30	61	19651	24.45			90	1.55	74	16284	20.26			89	1.85	86			13897	17.29	88	2.20																																																																	
62	11011	23.95	59	1.55			69	9797	21.31	59	1.75			81	8446	18.37	59	2.00	99	6860	14.92	57	2.50	117	5820			12.66	56	2.80	47	14446					31.42			37	0.85					53		12749	27.73		39		0.95	62		11011	23.95	40	1.10	GK129 GKF129 GKA129 GKAF129	4P	70	9738	21.18	41	1.25	83	8184			17.80	41	1.50	103	6611	14.38	42	1.75	116	5889	12.81	39	1.40	138	4947	10.76	39	1.55	170	3995	8.69	38	1.70	29	34675	51.77	95	0.85	35	28734	42.90	97	1.05	GK169 GKA169	4P	41	24521			36.61	97	1.25						46	21533	32.15	97	1.40	52	19209	28.68	97	1.55				61	16376	24.45	95	1.85	74	13570	20.26	94	2.20	86	11581	17.29	92	2.60	62	16041	23.95	48	1.05	70	14273	21.31	49	1.10	GK159 GKF159 GKA159 GKAF159	4P	81	12304	18.37	50	1.15					100	9993	14.92	50	1.26	118	8479	12.66	50	1.35	90kW							132kW							15	55984	102.16	136	0.85	GK189 GKA189	4P	20	59444	73.96	111	0.80	GK189 GKA189	4P	17	48224	88.00	138			1.00	20	40530	73.96	139			1.15	23	35094	64.04	138	1.35	28	29241	53.36	137	1.60	33	24934	45.50	134	1.90	35	23296	42.51	134	2.00	39	21136	38.57	134	2.20	22	37308	68.08	104	0.80	25	33286	60.74	105	0.90	GK169 GKA169	4P	29	28370			51.77	106	1.05	35	23509			42.90	106	1.30	41									20062					36.61							105			1.50		46	17618		32.15	104	1.70	52	15717	28.68	103	1.90	61	13399	24.45	101	2.30	74	11103	20.26	98	2.70	86	9475	17.29	95	3.20	39	20835	38.02	50	0.80	48	17153	31.30	53	1.00	GK159 GKF159 GKA159 GKAF159	4P	54	15136	27.62	54	1.10			62	13125	23.95	55	1.30	70	11678	21.31							55	1.45	81			10067	18.37	55	1.70	100	8176	14.92	55	2.10	118	6938	12.66	54	2.30	35	34480	42.90	87	0.90	41	29425	36.61	89	1.05	GK169 GKA169	4P	46	25840	32.15	90	1.15	52	23051	28.68	90	1.30	61	19651	24.45			90	1.55			74	16284	20.26	89	1.85	86	13897	17.29	88	2.20																																																																																				
69	9797	21.31	59	1.75			81	8446	18.37	59	2.00			99	6860	14.92	57	2.50	117	5820	12.66	56	2.80	47	14446			31.42	37	0.85	53	12749					27.73			39	0.95		62	11011		23.95		40	1.10		GK129 GKF129 GKA129 GKAF129	4P	70	9738	21.18	41	1.25	83	8184			17.80	41	1.50	103	6611	14.38	42			1.75	116	5889	12.81	39	1.40	138	4947	10.76	39	1.55	170	3995	8.69	38	1.70	29	34675	51.77	95	0.85	35	28734	42.90	97	1.05	GK169 GKA169	4P	41	24521	36.61	97	1.25			46	21533			32.15	97	1.40					52	19209	28.68	97	1.55	61	16376	24.45	95	1.85	74	13570			20.26	94	2.20	86	11581	17.29	92	2.60	62	16041	23.95	48	1.05	70	14273	21.31	49	1.10	GK159 GKF159 GKA159 GKAF159	4P	81	12304	18.37	50	1.15			100	9993	14.92	50	1.26					118	8479	12.66	50	1.35	90kW							132kW								15	55984	102.16	136	0.85	GK189 GKA189	4P	20	59444			73.96	111	0.80	GK189 GKA189	4P			17	48224	88.00	138			1.00	20	40530	73.96	139			1.15	23	35094	64.04	138	1.35	28	29241	53.36	137	1.60	33	24934	45.50	134	1.90	35	23296	42.51	134	2.00	39	21136	38.57	134	2.20	22	37308	68.08	104	0.80	25	33286	60.74	105	0.90			GK169 GKA169	4P	29	28370	51.77	106	1.05	35	23509			42.90	106	1.30	41			20062	36.61					105					1.50							46			17618		32.15	104		1.70	52	15717	28.68	103	1.90	61	13399	24.45	101	2.30	74	11103	20.26	98	2.70	86	9475	17.29	95	3.20	39	20835	38.02	50	0.80	48	17153	31.30	53	1.00	GK159 GKF159 GKA159 GKAF159	4P			54	15136	27.62	54	1.10	62	13125	23.95	55	1.30	70	11678	21.31	55	1.45							81	10067	18.37			55	1.70	100	8176	14.92	55	2.10	118	6938	12.66	54	2.30	35	34480	42.90	87	0.90	41	29425	36.61	89	1.05	GK169 GKA169	4P			46	25840	32.15	90	1.15	52	23051	28.68	90	1.30	61	19651	24.45			90	1.55	74	16284	20.26	89	1.85	86	13897	17.29	88	2.20																																																																																						
81	8446	18.37	59	2.00			99	6860	14.92	57	2.50			117	5820	12.66	56	2.80	47	14446	31.42	37	0.85	53	12749			27.73	39	0.95	62	11011					23.95	40	1.10	GK129 GKF129 GKA129 GKAF129	4P		70	9738		21.18	41	1.25	83	8184			17.80	41	1.50	103	6611	14.38	42			1.75	116	5889	12.81	39	1.40	138			4947	10.76	39	1.55	170	3995	8.69	38	1.70	29	34675	51.77	95	0.85	35	28734	42.90	97	1.05	GK169 GKA169	4P	41	24521	36.61	97	1.25			46	21533	32.15	97	1.40			52	19209			28.68	97	1.55				61	16376	24.45	95	1.85	74	13570	20.26	94	2.20	86	11581	17.29	92		2.60	62	16041	23.95	48	1.05	70	14273	21.31	49	1.10	GK159 GKF159 GKA159 GKAF159	4P	81	12304	18.37	50	1.15			100	9993	14.92	50	1.26			118	8479	12.66	50	1.35					90kW							132kW							15	55984	102.16	136			0.85	GK189 GKA189	4P	20	59444			73.96	111			0.80	GK189 GKA189	4P					17	48224	88.00	138			1.00	20	40530	73.96	139			1.15	23	35094	64.04	138	1.35	28	29241	53.36	137	1.60	33	24934	45.50	134	1.90	35	23296	42.51	134	2.00	39	21136	38.57	134	2.20	22	37308	68.08	104	0.80	25	33286	60.74	105	0.90					GK169 GKA169	4P	29	28370	51.77	106	1.05	35	23509	42.90	106	1.30	41			20062	36.61					105	1.50	46			17618							32.15			104		1.70	52		15717	28.68	103	1.90	61	13399	24.45	101	2.30	74	11103	20.26	98	2.70	86	9475	17.29	95	3.20	39	20835	38.02	50	0.80	48	17153	31.30	53	1.00	GK159 GKF159 GKA159 GKAF159	4P					54	15136	27.62	54	1.10	62	13125	23.95	55	1.30	70	11678	21.31	55	1.45		81	10067				18.37	55	1.70			100	8176	14.92	55	2.10	118	6938	12.66	54	2.30	35	34480	42.90	87	0.90	41	29425	36.61	89	1.05	GK169 GKA169	4P					46	25840	32.15	90	1.15	52	23051	28.68	90	1.30	61	19651	24.45			90	1.55	74	16284	20.26	89	1.85	86	13897	17.29	88	2.20																																																																																						
99	6860	14.92	57	2.50			117	5820	12.66	56	2.80			47	14446	31.42	37	0.85	53	12749	27.73	39	0.95	62	11011			23.95	40	1.10	GK129 GKF129 GKA129 GKAF129	4P	70	9738			21.18	41	1.25			83	8184	17.80	41	1.50	103	6611	14.38	42			1.75	116	5889	12.81	39	1.40	138			4947	10.76	39	1.55	170	3995	8.69			38	1.70	29	34675	51.77	95	0.85	35	28734	42.90	97	1.05	GK169 GKA169	4P	41	24521	36.61	97	1.25			46	21533	32.15	97	1.40			52	19209	28.68	97	1.55			61	16376			24.45	95	1.85			74	13570	20.26	94	2.20	86	11581	17.29	92	2.60	62	16041	23.95	48	1.05	70	14273	21.31	49	1.10	GK159 GKF159 GKA159 GKAF159	4P	81	12304	18.37	50	1.15			100	9993	14.92	50	1.26			118	8479	12.66	50	1.35			90kW								132kW							15	55984	102.16	136	0.85	GK189 GKA189	4P	20	59444	73.96	111	0.80	GK189 GKA189	4P	17			48224	88.00			138	1.00			20							40530	73.96	139	1.15			23	35094	64.04	138	1.35			28	29241	53.36	137	1.60	33	24934	45.50	134	1.90	35	23296	42.51	134	2.00	39	21136	38.57	134	2.20	22	37308	68.08	104	0.80	25	33286	60.74	105	0.90	GK169 GKA169	4P	29	28370	51.77	106							1.05	35	23509	42.90	106	1.30	41	20062	36.61	105	1.50	46	17618	32.15	104					1.70	52	15717			28.68		103	1.90				61			13399		24.45	101		2.30	74	11103	20.26	98	2.70	86	9475	17.29	95	3.20	39	20835	38.02	50	0.80	48	17153	31.30	53	1.00	GK159 GKF159 GKA159 GKAF159	4P	54	15136	27.62	54	1.10	62							13125	23.95	55	1.30	70	11678	21.31	55	1.45	81	10067	18.37	55	1.70	100		8176	14.92				55	2.10	118	6938	12.66	54	2.30	35	34480	42.90	87	0.90	41	29425	36.61	89	1.05	GK169 GKA169	4P	46	25840	32.15	90	1.15	52							23051	28.68	90	1.30	61	19651	24.45	90	1.55	74	16284	20.26	89			1.85	86	13897	17.29	88	2.20																																																																																												
117	5820	12.66	56	2.80			47	14446	31.42	37	0.85			53	12749	27.73	39	0.95	62	11011	23.95	40	1.10	GK129 GKF129 GKA129 GKAF129	4P	70	9738	21.18	41	1.25			83	8184	17.80	41	1.50	103	6611			14.38	42	1.75	116	5889	12.81	39	1.40	138			4947	10.76	39	1.55	170	3995	8.69			38	1.70	29	34675	51.77	95	0.85			35	28734	42.90	97	1.05	GK169 GKA169	4P	41	24521	36.61	97	1.25			46	21533	32.15	97	1.40			52	19209	28.68	97	1.55			61	16376	24.45	95	1.85			74	13570	20.26	94	2.20	86	11581			17.29	92	2.60	62	16041	23.95	48	1.05	70	14273	21.31	49	1.10	GK159 GKF159 GKA159 GKAF159	4P	81	12304	18.37	50	1.15			100	9993	14.92	50	1.26			118	8479	12.66	50	1.35			90kW							132kW							15	55984	102.16	136	0.85	GK189 GKA189	4P	20	59444	73.96	111	0.80	GK189 GKA189			4P	17	48224	88.00	138			1.00			20	40530			73.96	139			1.15							23	35094	64.04	138			1.35	28	29241	53.36	137			1.60	33	24934	45.50	134	1.90	35	23296	42.51	134	2.00	39	21136	38.57	134	2.20	22	37308	68.08	104	0.80	25	33286	60.74	105	0.90	GK169 GKA169	4P	29	28370			51.77	106	1.05	35							23509	42.90	106	1.30	41	20062	36.61	105	1.50	46	17618	32.15	104	1.70	52	15717	28.68	103	1.90	61	13399	24.45			101		2.30	74				11103			20.26		98	2.70		86	9475	17.29	95	3.20	39	20835	38.02	50	0.80	48	17153	31.30	53	1.00	GK159 GKF159 GKA159 GKAF159	4P	54	15136	27.62	54			1.10	62	13125	23.95	55	1.30							70	11678	21.31	55	1.45	81	10067	18.37	55	1.70	100	8176	14.92	55	2.10		118	6938		12.66	54	2.30	35	34480	42.90	87	0.90	41	29425	36.61	89	1.05	GK169 GKA169	4P	46	25840	32.15	90			1.15	52	23051	28.68	90	1.30							61	19651	24.45	90	1.55	74	16284	20.26	89	1.85	86	13897	17.29			88	2.20																																																																																																
47	14446	31.42	37	0.85			53	12749	27.73	39	0.95			62	11011	23.95	40	1.10	GK129 GKF129 GKA129 GKAF129	4P	70	9738	21.18			41	1.25	83	8184	17.80			41	1.50	103	6611	14.38	42	1.75			116	5889	12.81	39	1.40	138	4947	10.76	39			1.55	170	3995	8.69	38	1.70	29			34675	51.77	95	0.85	35	28734	42.90			97	1.05	GK169 GKA169	4P	41			24521	36.61	97	1.25	46			21533	32.15	97	1.40	52			19209	28.68	97	1.55	61			16376	24.45	95	1.85	74			13570	20.26	94	2.20	86	11581	17.29			92	2.60	62	16041	23.95	48	1.05	70	14273	21.31	49	1.10	GK159 GKF159 GKA159 GKAF159			4P	81	12304	18.37	50			1.15	100	9993	14.92	50			1.26	118	8479	12.66	50	1.35	90kW							132kW							15	55984	102.16	136	0.85	GK189 GKA189			4P	20	59444	73.96	111					0.80	GK189 GKA189	4P	17			48224			88.00	138			1.00	20			40530							73.96	139	1.15	23			35094	64.04	138	1.35	28			29241	53.36	137	1.60	33	24934	45.50	134	1.90	35	23296	42.51	134	2.00	39	21136	38.57	134	2.20	22	37308	68.08	104	0.80	25	33286			60.74	105			0.90	GK169 GKA169	4P	29							28370	51.77	106	1.05	35	23509	42.90	106	1.30	41	20062	36.61	105	1.50	46	17618	32.15	104	1.70	52	15717	28.68	103	1.90	61		13399	24.45				101			2.30		74	11103		20.26	98	2.70	86	9475	17.29	95	3.20	39	20835	38.02	50	0.80	48	17153			31.30	53	1.00	GK159 GKF159 GKA159 GKAF159			4P	54	15136	27.62	54	1.10							62	13125	23.95	55	1.30	70	11678	21.31	55	1.45	81	10067	18.37	55	1.70		100	8176		14.92	55	2.10	118	6938	12.66	54	2.30	35	34480	42.90	87	0.90			41	29425	36.61	89			1.05	GK169 GKA169	4P	46	25840	32.15							90	1.15	52	23051	28.68	90	1.30	61	19651	24.45	90	1.55	74			16284	20.26	89	1.85	86	13897	17.29	88	2.20																																																																																									
53	12749	27.73	39	0.95	62	11011	23.95	40	1.10	GK129 GKF129 GKA129 GKAF129	4P	70	9738	21.18	41	1.25	83	8184			17.80	41	1.50			103	6611	14.38	42	1.75			116	5889	12.81	39	1.40	138	4947			10.76	39	1.55	170	3995	8.69	38	1.70	29			34675	51.77	95	0.85	35	28734	42.90			97	1.05	GK169 GKA169	4P	41	24521	36.61			97	1.25			46			21533	32.15	97	1.40	52			19209	28.68	97	1.55	61			16376	24.45	95	1.85	74			13570	20.26	94	2.20	86			11581	17.29	92	2.60	62	16041	23.95			48	1.05	70	14273	21.31	49	1.10	GK159 GKF159 GKA159 GKAF159	4P	81	12304	18.37					50	1.15	100	9993			14.92	50	1.26	118	8479	12.66	50	1.35	90kW							132kW							15	55984	102.16	136	0.85	GK189 GKA189	4P	20	59444	73.96					111	0.80	GK189 GKA189	4P					17			48224			88.00			138	1.00			20	40530			73.96							139	1.15	23	35094			64.04	138	1.35	28	29241			53.36	137	1.60	33	24934	45.50	134	1.90	35	23296	42.51	134	2.00	39	21136	38.57	134	2.20	22	37308	68.08	104	0.80	25	33286	60.74			105	0.90			GK169 GKA169			4P							29	28370	51.77	106	1.05	35	23509	42.90	106	1.30	41	20062	36.61	105	1.50	46	17618	32.15	104	1.70	52	15717	28.68	103	1.90		61	13399		24.45	101	2.30			74		11103	20.26		98	2.70	86	9475	17.29	95	3.20	39	20835	38.02	50	0.80	48	17153	31.30			53	1.00	GK159 GKF159 GKA159 GKAF159					4P	54	15136	27.62	54							1.10	62	13125	23.95	55	1.30	70	11678	21.31	55	1.45	81	10067	18.37	55		1.70	100		8176	14.92	55	2.10	118	6938	12.66	54	2.30	35	34480	42.90	87			0.90	41	29425	36.61			89			1.05	GK169 GKA169	4P							46	25840	32.15	90	1.15	52	23051	28.68	90	1.30	61	19651	24.45			90	1.55	74	16284	20.26	89	1.85	86	13897	17.29	88	2.20																																																																																						
62	11011	23.95	40	1.10	GK129 GKF129 GKA129 GKAF129	4P	70	9738	21.18			41	1.25	83	8184	17.80	41	1.50			103	6611	14.38			42	1.75	116	5889	12.81			39	1.40	138	4947	10.76	39	1.55			170	3995	8.69	38	1.70	29	34675	51.77	95			0.85	35	28734	42.90	97	1.05	GK169 GKA169			4P	41			24521	36.61	97	1.25	46	21533	32.15			97			1.40	52	19209	28.68	97			1.55	61	16376	24.45	95			1.85	74	13570	20.26	94			2.20	86	11581	17.29	92			2.60	62	16041	23.95	48	1.05	70	14273	21.31	49	1.10	GK159 GKF159 GKA159 GKAF159	4P	81	12304	18.37			50	1.15	100					9993	14.92	50	1.26	118	8479	12.66	50	1.35	90kW							132kW							15	55984	102.16	136	0.85	GK189 GKA189	4P	20	59444	73.96			111	0.80	GK189 GKA189					4P	17							48224			88.00			138			1.00	20			40530	73.96			139							1.15	23	35094	64.04	138	1.35	28	29241	53.36	137	1.60			33	24934	45.50	134	1.90	35	23296	42.51	134	2.00	39	21136	38.57	134	2.20	22	37308	68.08	104	0.80	25	33286	60.74	105	0.90	GK169 GKA169			4P	29													28370	51.77	106	1.05	35	23509	42.90	106	1.30	41	20062	36.61	105	1.50	46	17618	32.15	104	1.70	52	15717	28.68	103	1.90	61	13399	24.45	101	2.30	74	11103	20.26			98	2.70	86	9475	17.29	95	3.20	39	20835	38.02	50	0.80	48	17153	31.30	53	1.00	GK159 GKF159 GKA159 GKAF159	4P	54			15136	27.62							54	1.10	62	13125							23.95	55	1.30	70	11678	21.31	55	1.45	81	10067	18.37	55	1.70	100	8176	14.92	55	2.10	118	6938	12.66	54	2.30	35	34480	42.90	87	0.90	41	29425	36.61	89			1.05	GK169 GKA169	4P	46			25840			32.15									90	1.15	52	23051	28.68	90	1.30	61	19651	24.45	90	1.55	74	16284	20.26	89	1.85	86	13897	17.29	88	2.20																																																																																											
70	9738	21.18	41	1.25			83	8184	17.80			41	1.50	103	6611	14.38	42	1.75			116	5889	12.81			39	1.40	138	4947	10.76			39	1.55	170	3995	8.69	38	1.70			29	34675	51.77	95	0.85	35	28734	42.90	97			1.05	GK169 GKA169	4P	41	24521	36.61		97	1.25		46			21533	32.15	97	1.40	52	19209	28.68			97			1.55	61	16376	24.45	95			1.85	74	13570	20.26	94			2.20	86	11581	17.29	92			2.60	62	16041	23.95	48	1.05	70	14273	21.31	49	1.10	GK159 GKF159 GKA159 GKAF159	4P	81	12304	18.37	50	1.15			100	9993	14.92			50	1.26	118		8479	12.66		50	1.35	90kW							132kW							15	55984	102.16	136	0.85	GK189 GKA189	4P	20	59444	73.96	111	0.80			GK189 GKA189	4P	17			48224	88.00							138							1.00			20			40530			73.96	139			1.15	23	35094	64.04	138							1.35	28	29241	53.36	137	1.60	33	24934	45.50	134	1.90			35	23296	42.51	134	2.00	39	21136	38.57	134	2.20	22	37308	68.08	104	0.80	25	33286	60.74	105	0.90	GK169 GKA169	4P	29	28370	51.77					106							1.05	35					23509	42.90	106	1.30	41	20062	36.61	105	1.50	46	17618	32.15	104	1.70	52	15717	28.68	103	1.90	61	13399	24.45	101	2.30	74	11103	20.26	98	2.70	86	9475	17.29	95	3.20	39	20835	38.02	50	0.80	48	17153	31.30	53	1.00	GK159 GKF159 GKA159 GKAF159	4P	54	15136	27.62	54	1.10			62			13125	23.95							55	1.30	70	11678					21.31	55	1.45	81	10067	18.37	55	1.70	100	8176	14.92	55	2.10	118	6938	12.66	54	2.30	35	34480	42.90	87	0.90	41	29425	36.61	89	1.05	GK169 GKA169	4P	46	25840	32.15	90			1.15			52			23051			28.68							90	1.30	61	19651	24.45	90	1.55	74	16284	20.26	89	1.85	86	13897	17.29	88	2.20																																																																																																		
83	8184	17.80	41	1.50			103	6611	14.38			42	1.75	116	5889	12.81	39	1.40			138	4947	10.76			39	1.55	170	3995	8.69			38	1.70	29	34675	51.77	95	0.85			35	28734	42.90	97	1.05	GK169 GKA169	4P	41	24521	36.61	97	1.25			46	21533	32.15		97	1.40		52			19209	28.68	97	1.55	61	16376	24.45			95			1.85	74	13570	20.26	94			2.20	86	11581	17.29	92			2.60	62	16041	23.95	48	1.05	70	14273	21.31	49	1.10	GK159 GKF159 GKA159 GKAF159	4P	81	12304	18.37	50	1.15			100	9993	14.92	50	1.26			118	8479	12.66			50	1.35	90kW							132kW							15	55984	102.16	136	0.85	GK189 GKA189	4P	20	59444	73.96	111	0.80			GK189 GKA189	4P	17	48224	88.00					138			1.00	20							40530							73.96			139			1.15			23	35094	64.04	138	1.35	28	29241	53.36	137							1.60	33	24934	45.50	134	1.90	35	23296	42.51	134	2.00			39	21136	38.57	134	2.20	22	37308	68.08	104	0.80	25	33286	60.74	105	0.90	GK169 GKA169	4P	29	28370	51.77			106	1.05	35					23509							42.90	106	1.30	41			20062	36.61	105	1.50	46	17618	32.15	104	1.70	52	15717	28.68	103	1.90	61	13399	24.45	101	2.30	74	11103	20.26	98	2.70	86	9475	17.29	95	3.20	39	20835	38.02	50	0.80	48	17153	31.30	53	1.00	GK159 GKF159 GKA159 GKAF159	4P	54	15136	27.62			54	1.10	62	13125	23.95			55			1.30	70							11678	21.31	55	1.45			81	10067	18.37	55	1.70	100	8176	14.92	55	2.10	118	6938	12.66	54	2.30	35	34480	42.90	87	0.90	41	29425	36.61	89	1.05	GK169 GKA169	4P	46	25840	32.15			90	1.15	52	23051			28.68			90			1.30			61					19651	24.45	90	1.55	74	16284	20.26	89	1.85	86	13897	17.29	88	2.20																																																																																																							
103	6611	14.38	42	1.75			116	5889	12.81			39	1.40	138	4947	10.76	39	1.55			170	3995	8.69			38	1.70	29	34675	51.77			95	0.85	35	28734	42.90	97	1.05	GK169 GKA169	4P	41	24521	36.61	97	1.25			46	21533	32.15	97	1.40			52	19209	28.68		97	1.55		61			16376	24.45	95	1.85	74	13570	20.26			94			2.20	86	11581	17.29	92			2.60	62	16041	23.95	48	1.05	70	14273	21.31	49	1.10	GK159 GKF159 GKA159 GKAF159	4P	81	12304	18.37	50	1.15			100	9993	14.92	50	1.26			118	8479	12.66	50	1.35			90kW							132kW							15	55984	102.16	136	0.85	GK189 GKA189	4P	20	59444	73.96	111	0.80			GK189 GKA189	4P	17	48224	88.00					138	1.00	20					40530			73.96	139							1.15							23			35094			64.04	138	1.35	28	29241	53.36	137	1.60	33	24934	45.50	134							1.90	35	23296	42.51	134	2.00	39	21136	38.57	134	2.20			22	37308	68.08	104	0.80	25	33286	60.74	105	0.90	GK169 GKA169	4P	29	28370	51.77			106	1.05	35			23509	42.90	106					1.30							41	20062	36.61	105	1.50	46	17618	32.15	104	1.70	52	15717	28.68	103	1.90	61	13399	24.45	101	2.30	74	11103	20.26	98	2.70	86	9475	17.29	95	3.20	39	20835	38.02	50	0.80	48	17153	31.30	53	1.00	GK159 GKF159 GKA159 GKAF159	4P	54	15136	27.62			54	1.10	62			13125	23.95	55	1.30	70			11678			21.31	55							1.45	81	10067	18.37	55	1.70	100	8176	14.92	55	2.10	118	6938	12.66	54	2.30	35	34480	42.90	87	0.90	41	29425	36.61	89	1.05	GK169 GKA169	4P	46	25840	32.15			90	1.15	52			23051	28.68	90	1.30			61			19651			24.45			90			1.55	74	16284	20.26	89	1.85	86	13897	17.29	88	2.20																																																																																																												
116	5889	12.81	39	1.40			138	4947	10.76			39	1.55	170	3995	8.69	38	1.70			29	34675	51.77			95	0.85	35	28734	42.90	97	1.05	GK169 GKA169	4P	41	24521	36.61	97	1.25			46	21533	32.15	97	1.40			52	19209	28.68	97	1.55			61	16376	24.45		95	1.85		74			13570	20.26	94	2.20	86	11581	17.29			92			2.60	62	16041	23.95	48	1.05	70	14273	21.31	49	1.10	GK159 GKF159 GKA159 GKAF159	4P	81	12304	18.37	50	1.15			100	9993	14.92	50	1.26			118	8479	12.66	50	1.35			90kW							132kW							15	55984	102.16	136	0.85	GK189 GKA189	4P	20	59444	73.96	111	0.80			GK189 GKA189	4P	17	48224	88.00					138	1.00	20					40530	73.96	139					1.15			23	35094							64.04				138	1.35		28			29241			53.36	137	1.60	33	24934	45.50	134	1.90	35	23296	42.51	134							2.00	39	21136	38.57	134	2.20	22	37308	68.08	104	0.80	25	33286	60.74	105	0.90	GK169 GKA169	4P	29	28370	51.77	106	1.05			35	23509	42.90			106	1.30	41			20062	36.61	105					1.50	46	17618					32.15	104	1.70	52	15717	28.68	103	1.90	61	13399	24.45	101	2.30	74	11103	20.26	98	2.70	86	9475	17.29	95	3.20	39	20835	38.02	50	0.80	48	17153	31.30	53	1.00	GK159 GKF159 GKA159 GKAF159	4P	54	15136	27.62	54	1.10			62	13125	23.95			55	1.30	70			11678	21.31	55	1.45	81			10067			18.37	55			1.70	100			8176	14.92	55	2.10	118	6938	12.66	54	2.30	35	34480	42.90	87	0.90	41	29425	36.61	89	1.05	GK169 GKA169	4P	46	25840	32.15	90	1.15			52	23051	28.68			90	1.30	61			19651	24.45	90	1.55			74			16284	20.26	89	1.85			86			13897	17.29	88	2.20																																																																																																																			
138	4947	10.76	39	1.55			170	3995	8.69			38	1.70	29	34675	51.77	95	0.85			35	28734	42.90	97	1.05	GK169 GKA169	4P	41	24521	36.61	97	1.25			46	21533	32.15	97	1.40			52	19209	28.68	97	1.55			61	16376	24.45	95	1.85			74	13570	20.26		94	2.20		86			11581	17.29	92	2.60	62	16041	23.95			48	1.05	70	14273	21.31	49	1.10	GK159 GKF159 GKA159 GKAF159	4P	81	12304	18.37	50	1.15			100	9993	14.92	50	1.26			118	8479	12.66	50	1.35			90kW							132kW							15	55984	102.16	136	0.85	GK189 GKA189	4P	20	59444	73.96	111	0.80			GK189 GKA189	4P	17	48224	88.00					138	1.00	20					40530	73.96	139					1.15	23	35094					64.04			138	1.35			28	29241			53.36				137	1.60		33			24934			45.50	134	1.90	35	23296	42.51	134	2.00	39	21136	38.57	134					2.20	22	37308	68.08	104	0.80	25	33286	60.74	105	0.90	GK169 GKA169	4P	29	28370	51.77	106	1.05			35	23509	42.90	106	1.30			41	20062	36.61			105	1.50	46			17618	32.15	104		1.70	52		15717	28.68	103					1.90	61	13399	24.45	101	2.30	74	11103	20.26	98	2.70	86	9475	17.29	95	3.20	39	20835	38.02	50	0.80	48	17153	31.30	53	1.00	GK159 GKF159 GKA159 GKAF159	4P	54	15136	27.62	54	1.10			62	13125	23.95	55	1.30			70	11678	21.31			55	1.45	81			10067	18.37	55	1.70	100			8176	14.92	55	2.10	118			6938	12.66			54	2.30	35	34480	42.90	87	0.90	41	29425	36.61	89	1.05	GK169 GKA169	4P	46	25840	32.15	90	1.15			52	23051	28.68	90	1.30			61	19651	24.45			90	1.55	74			16284	20.26	89	1.85	86	13897	17.29			88	2.20																																																																																																																														
170	3995	8.69	38	1.70			29	34675	51.77			95	0.85	35	28734	42.90	97	1.05	GK169 GKA169	4P	41	24521	36.61	97	1.25			46	21533	32.15	97	1.40			52	19209	28.68	97	1.55			61	16376	24.45	95	1.85			74	13570	20.26	94	2.20			86	11581	17.29		92	2.60		62			16041	23.95	48	1.05	70	14273	21.31	49	1.10	GK159 GKF159 GKA159 GKAF159	4P	81	12304	18.37	50	1.15			100	9993	14.92	50	1.26			118	8479	12.66	50	1.35			90kW							132kW							15	55984	102.16	136	0.85	GK189 GKA189	4P	20	59444	73.96	111	0.80			GK189 GKA189	4P	17	48224	88.00					138	1.00	20					40530	73.96	139					1.15	23	35094					64.04	138	1.35					28			29241	53.36		137	1.60	33	24934		45.50				134	1.90		35			23296			42.51	134	2.00	39	21136	38.57	134	2.20	22	37308	68.08	104			0.80	25	33286	60.74	105	0.90	GK169 GKA169	4P	29	28370	51.77	106	1.05			35	23509	42.90	106	1.30			41	20062	36.61	105	1.50			46	17618	32.15			104	1.70	52			15717	28.68	103		1.90	61		13399	24.45	101		2.30	74		11103	20.26	98	2.70	86	9475	17.29	95	3.20	39	20835	38.02	50	0.80	48	17153	31.30	53	1.00	GK159 GKF159 GKA159 GKAF159	4P	54	15136	27.62	54	1.10			62	13125	23.95	55	1.30			70	11678	21.31	55	1.45			81	10067	18.37			55	1.70	100			8176	14.92	55	2.10	118			6938	12.66	54	2.30	35		34480	42.90	87	0.90		41	29425	36.61	89	1.05	GK169 GKA169	4P	46	25840	32.15	90	1.15			52	23051	28.68	90	1.30			61	19651	24.45	90	1.55			74	16284	20.26			89	1.85	86			13897	17.29	88	2.20																																																																																																																																					
29	34675	51.77	95	0.85			35	28734	42.90	97	1.05	GK169 GKA169	4P	41	24521	36.61	97	1.25			46	21533	32.15	97	1.40			52	19209	28.68	97	1.55			61	16376	24.45	95	1.85			74	13570	20.26	94	2.20			86	11581	17.29	92	2.60			62	16041	23.95		48	1.05		70	14273	21.31	49	1.10	GK159 GKF159 GKA159 GKAF159	4P	81	12304	18.37	50	1.15			100	9993	14.92	50	1.26			118	8479	12.66	50	1.35			90kW							132kW							15	55984	102.16	136	0.85	GK189 GKA189	4P	20	59444	73.96	111	0.80			GK189 GKA189	4P	17	48224	88.00					138	1.00	20					40530	73.96	139					1.15	23	35094					64.04	138	1.35					28	29241	53.36					137	1.60	33	24934	45.50		134	1.90	35	23296		42.51				134	2.00		39			21136			38.57	134	2.20	22	37308	68.08	104	0.80	25	33286	60.74	105	0.90	GK169 GKA169	4P	29	28370	51.77	106	1.05			35	23509	42.90	106	1.30			41	20062	36.61	105	1.50			46	17618	32.15	104	1.70			52	15717	28.68			103	1.90	61			13399	24.45	101		2.30	74		11103	20.26	98	2.70	86	9475	17.29	95	3.20	39	20835	38.02	50	0.80	48	17153	31.30	53	1.00	GK159 GKF159 GKA159 GKAF159	4P	54	15136	27.62	54	1.10			62	13125	23.95	55	1.30			70	11678	21.31	55	1.45			81	10067	18.37	55	1.70			100	8176	14.92			55	2.10	118			6938	12.66	54	2.30	35			34480	42.90	87	0.90	41	29425	36.61	89	1.05	GK169 GKA169	4P	46	25840	32.15	90	1.15			52	23051	28.68	90	1.30			61	19651	24.45	90	1.55			74	16284	20.26	89	1.85			86	13897	17.29			88	2.20																																																																																																																																												
35	28734	42.90	97	1.05	GK169 GKA169	4P	41	24521	36.61	97	1.25			46	21533	32.15	97	1.40			52	19209	28.68	97	1.55			61	16376	24.45	95	1.85			74	13570	20.26	94	2.20			86	11581	17.29	92	2.60			62	16041	23.95	48	1.05			70	14273	21.31	49	1.10	GK159 GKF159 GKA159 GKAF159	4P	81	12304	18.37	50	1.15			100	9993	14.92	50	1.26			118	8479	12.66	50	1.35			90kW							132kW							15	55984	102.16	136	0.85	GK189 GKA189	4P	20	59444	73.96	111	0.80			GK189 GKA189	4P	17	48224	88.00					138	1.00	20					40530	73.96	139					1.15	23	35094					64.04	138	1.35					28	29241	53.36					137	1.60	33	24934	45.50			134	1.90	35	23296	42.51		134	2.00	39	21136		38.57				134	2.20		22			37308	68.08	104	0.80	25	33286	60.74	105	0.90	GK169 GKA169	4P	29	28370	51.77	106	1.05			35	23509	42.90	106	1.30			41	20062	36.61	105	1.50			46	17618	32.15	104	1.70			52	15717	28.68	103	1.90			61	13399	24.45			101	2.30	74			11103	20.26	98	2.70	86	9475	17.29	95	3.20	39	20835	38.02	50	0.80	48	17153	31.30	53	1.00	GK159 GKF159 GKA159 GKAF159	4P	54	15136	27.62	54	1.10			62	13125	23.95	55	1.30			70	11678	21.31	55	1.45			81	10067	18.37	55	1.70			100	8176	14.92	55	2.10			118	6938	12.66			54	2.30	35			34480	42.90	87	0.90	41	29425	36.61	89	1.05	GK169 GKA169	4P	46	25840	32.15	90	1.15			52	23051	28.68	90	1.30			61	19651	24.45	90	1.55			74	16284	20.26	89	1.85			86	13897	17.29	88	2.20																																																																																																																																																					
41	24521	36.61	97	1.25			46	21533	32.15	97	1.40			52	19209	28.68	97	1.55			61	16376	24.45	95	1.85			74	13570	20.26	94	2.20			86	11581	17.29	92	2.60			62	16041	23.95	48	1.05			70	14273	21.31	49	1.10	GK159 GKF159 GKA159 GKAF159	4P	81	12304	18.37	50	1.15			100	9993	14.92	50	1.26			118	8479	12.66	50	1.35			90kW							132kW							15	55984	102.16	136	0.85	GK189 GKA189	4P	20	59444	73.96	111	0.80			GK189 GKA189	4P	17	48224	88.00					138	1.00	20					40530	73.96	139					1.15	23	35094					64.04	138	1.35					28	29241	53.36					137	1.60	33	24934	45.50			134	1.90	35	23296	42.51			134	2.00	39	21136	38.57		134	2.20	22	37308		68.08			104	0.80	25	33286	60.74			105	0.90	GK169 GKA169	4P	29	28370	51.77	106	1.05			35	23509	42.90	106	1.30			41	20062	36.61	105	1.50			46	17618	32.15	104	1.70			52	15717	28.68	103	1.90			61	13399	24.45	101	2.30			74	11103	20.26			98	2.70	86	9475	17.29	95	3.20	39	20835	38.02	50	0.80	48	17153	31.30	53	1.00	GK159 GKF159 GKA159 GKAF159	4P	54	15136	27.62	54	1.10			62	13125	23.95	55	1.30			70	11678	21.31	55	1.45			81	10067	18.37	55	1.70			100	8176	14.92	55	2.10			118	6938	12.66	54	2.30			35	34480	42.90			87	0.90	41	29425	36.61	89	1.05	GK169 GKA169	4P	46	25840	32.15	90	1.15			52	23051	28.68	90	1.30			61	19651	24.45	90	1.55			74	16284	20.26	89	1.85			86	13897	17.29	88	2.20																																																																																																																																																												
46	21533	32.15	97	1.40			52	19209	28.68	97	1.55			61	16376	24.45	95	1.85			74	13570	20.26	94	2.20			86	11581	17.29	92	2.60			62	16041	23.95	48	1.05			70	14273	21.31	49	1.10	GK159 GKF159 GKA159 GKAF159	4P	81	12304	18.37	50	1.15			100	9993	14.92	50	1.26			118	8479	12.66	50	1.35			90kW							132kW							15	55984	102.16	136	0.85	GK189 GKA189	4P	20	59444	73.96	111	0.80			GK189 GKA189	4P	17	48224	88.00					138	1.00	20					40530	73.96	139					1.15	23	35094					64.04	138	1.35					28	29241	53.36					137	1.60	33	24934	45.50			134	1.90	35	23296	42.51			134	2.00	39	21136	38.57			134	2.20	22	37308	68.08		104	0.80	25	33286		60.74			105	0.90	GK169 GKA169	4P	29	28370	51.77	106	1.05			35	23509	42.90	106	1.30			41	20062	36.61	105	1.50			46	17618	32.15	104	1.70			52	15717	28.68	103	1.90			61	13399	24.45	101	2.30			74	11103	20.26	98	2.70			86	9475	17.29	95	3.20	39	20835	38.02	50	0.80	48	17153	31.30	53	1.00	GK159 GKF159 GKA159 GKAF159	4P	54	15136	27.62	54	1.10			62	13125	23.95	55	1.30			70	11678	21.31	55	1.45			81	10067	18.37	55	1.70			100	8176	14.92	55	2.10			118	6938	12.66	54	2.30			35	34480	42.90	87	0.90			41	29425	36.61	89	1.05	GK169 GKA169	4P	46	25840	32.15	90	1.15			52	23051	28.68	90	1.30			61	19651	24.45	90	1.55			74	16284	20.26	89	1.85			86	13897	17.29	88	2.20																																																																																																																																																																			
52	19209	28.68	97	1.55			61	16376	24.45	95	1.85			74	13570	20.26	94	2.20			86	11581	17.29	92	2.60			62	16041	23.95	48	1.05			70	14273	21.31	49	1.10	GK159 GKF159 GKA159 GKAF159	4P	81	12304	18.37	50	1.15			100	9993	14.92	50	1.26			118	8479	12.66	50	1.35			90kW							132kW							15	55984	102.16	136	0.85	GK189 GKA189	4P	20	59444	73.96	111	0.80			GK189 GKA189	4P	17	48224	88.00					138	1.00	20					40530	73.96	139					1.15	23	35094					64.04	138	1.35					28	29241	53.36					137	1.60	33	24934	45.50			134	1.90	35	23296	42.51			134	2.00	39	21136	38.57			134	2.20	22	37308	68.08			104	0.80	25	33286	60.74		105	0.90	GK169 GKA169	4P		29	28370	51.77	106	1.05			35	23509	42.90	106	1.30			41	20062	36.61	105	1.50			46	17618	32.15	104	1.70			52	15717	28.68	103	1.90			61	13399	24.45	101	2.30			74	11103	20.26	98	2.70			86	9475	17.29	95	3.20	39	20835	38.02	50	0.80	48	17153	31.30	53	1.00	GK159 GKF159 GKA159 GKAF159	4P	54	15136	27.62	54	1.10			62	13125	23.95	55	1.30			70	11678	21.31	55	1.45			81	10067	18.37	55	1.70			100	8176	14.92	55	2.10			118	6938	12.66	54	2.30			35	34480	42.90	87	0.90			41	29425	36.61	89	1.05	GK169 GKA169	4P	46	25840	32.15	90	1.15			52	23051	28.68	90	1.30			61	19651	24.45	90	1.55			74	16284	20.26	89	1.85			86	13897	17.29	88	2.20																																																																																																																																																																										
61	16376	24.45	95	1.85			74	13570	20.26	94	2.20			86	11581	17.29	92	2.60			62	16041	23.95	48	1.05			70	14273	21.31	49	1.10	GK159 GKF159 GKA159 GKAF159	4P	81	12304	18.37	50	1.15			100	9993	14.92	50	1.26			118	8479	12.66	50	1.35			90kW							132kW							15	55984	102.16	136	0.85	GK189 GKA189	4P	20	59444	73.96	111	0.80			GK189 GKA189	4P	17	48224	88.00					138	1.00	20					40530	73.96	139					1.15	23	35094					64.04	138	1.35					28	29241	53.36					137	1.60	33	24934	45.50			134	1.90	35	23296	42.51			134	2.00	39	21136	38.57			134	2.20	22	37308	68.08			104	0.80	25	33286	60.74			105	0.90	GK169 GKA169	4P	29	28370	51.77	106			1.05	35	23509	42.90	106	1.30			41	20062	36.61	105	1.50			46	17618	32.15	104	1.70			52	15717	28.68	103	1.90			61	13399	24.45	101	2.30			74	11103	20.26	98	2.70			86	9475	17.29	95	3.20	39	20835	38.02	50	0.80	48	17153	31.30	53	1.00	GK159 GKF159 GKA159 GKAF159	4P	54	15136	27.62	54	1.10			62	13125	23.95	55	1.30			70	11678	21.31	55	1.45			81	10067	18.37	55	1.70			100	8176	14.92	55	2.10			118	6938	12.66	54	2.30			35	34480	42.90	87	0.90			41	29425	36.61	89	1.05	GK169 GKA169	4P	46	25840	32.15	90	1.15			52	23051	28.68	90	1.30			61	19651	24.45	90	1.55			74	16284	20.26	89	1.85			86	13897	17.29	88	2.20																																																																																																																																																																																	
74	13570	20.26	94	2.20			86	11581	17.29	92	2.60			62	16041	23.95	48	1.05			70	14273	21.31	49	1.10	GK159 GKF159 GKA159 GKAF159	4P	81	12304	18.37	50	1.15			100	9993	14.92	50	1.26			118	8479	12.66	50	1.35			90kW							132kW							15	55984	102.16	136	0.85	GK189 GKA189	4P	20	59444	73.96	111	0.80			GK189 GKA189	4P	17	48224	88.00					138	1.00	20					40530	73.96	139					1.15	23	35094					64.04	138	1.35					28	29241	53.36					137	1.60	33	24934	45.50			134	1.90	35	23296	42.51			134	2.00	39	21136	38.57			134	2.20	22	37308	68.08			104	0.80	25	33286	60.74			105	0.90	GK169 GKA169	4P	29	28370	51.77	106	1.05			35	23509	42.90	106			1.30	41	20062	36.61	105	1.50			46	17618	32.15	104	1.70			52	15717	28.68	103	1.90			61	13399	24.45	101	2.30			74	11103	20.26	98	2.70			86	9475	17.29	95	3.20	39	20835	38.02	50	0.80	48	17153	31.30	53	1.00	GK159 GKF159 GKA159 GKAF159	4P	54	15136	27.62	54	1.10			62	13125	23.95	55	1.30			70	11678	21.31	55	1.45			81	10067	18.37	55	1.70			100	8176	14.92	55	2.10			118	6938	12.66	54	2.30			35	34480	42.90	87	0.90			41	29425	36.61	89	1.05	GK169 GKA169	4P	46	25840	32.15	90	1.15			52	23051	28.68	90	1.30			61	19651	24.45	90	1.55			74	16284	20.26	89	1.85			86	13897	17.29	88	2.20																																																																																																																																																																																								
86	11581	17.29	92	2.60			62	16041	23.95	48	1.05			70	14273	21.31	49	1.10	GK159 GKF159 GKA159 GKAF159	4P	81	12304	18.37	50	1.15			100	9993	14.92	50	1.26			118	8479	12.66	50	1.35			90kW							132kW							15	55984	102.16	136	0.85	GK189 GKA189	4P	20	59444	73.96	111	0.80			GK189 GKA189	4P	17	48224	88.00					138	1.00	20					40530	73.96	139					1.15	23	35094					64.04	138	1.35					28	29241	53.36					137	1.60	33	24934	45.50			134	1.90	35	23296	42.51			134	2.00	39	21136	38.57			134	2.20	22	37308	68.08			104	0.80	25	33286	60.74			105	0.90	GK169 GKA169	4P	29	28370	51.77	106	1.05			35	23509	42.90	106	1.30			41	20062	36.61	105			1.50	46	17618	32.15	104	1.70			52	15717	28.68	103	1.90			61	13399	24.45	101	2.30			74	11103	20.26	98	2.70			86	9475	17.29	95	3.20	39	20835	38.02	50	0.80	48	17153	31.30	53	1.00	GK159 GKF159 GKA159 GKAF159	4P	54	15136	27.62	54	1.10			62	13125	23.95	55	1.30			70	11678	21.31	55	1.45			81	10067	18.37	55	1.70			100	8176	14.92	55	2.10			118	6938	12.66	54	2.30			35	34480	42.90	87	0.90			41	29425	36.61	89	1.05	GK169 GKA169	4P	46	25840	32.15	90	1.15			52	23051	28.68	90	1.30			61	19651	24.45	90	1.55			74	16284	20.26	89	1.85			86	13897	17.29	88	2.20																																																																																																																																																																																															
62	16041	23.95	48	1.05			70	14273	21.31	49	1.10	GK159 GKF159 GKA159 GKAF159	4P	81	12304	18.37	50	1.15			100	9993	14.92	50	1.26			118	8479	12.66	50	1.35			90kW							132kW							15	55984	102.16	136	0.85	GK189 GKA189	4P	20	59444	73.96	111	0.80			GK189 GKA189	4P	17	48224	88.00					138	1.00	20					40530	73.96	139					1.15	23	35094					64.04	138	1.35					28	29241	53.36					137	1.60	33	24934	45.50			134	1.90	35	23296	42.51			134	2.00	39	21136	38.57			134	2.20	22	37308	68.08			104	0.80	25	33286	60.74			105	0.90	GK169 GKA169	4P	29	28370	51.77	106	1.05			35	23509	42.90	106	1.30			41	20062	36.61	105	1.50			46	17618	32.15	104			1.70	52	15717	28.68	103	1.90			61	13399	24.45	101	2.30			74	11103	20.26	98	2.70			86	9475	17.29	95	3.20	39	20835	38.02	50	0.80	48	17153	31.30	53	1.00	GK159 GKF159 GKA159 GKAF159	4P	54	15136	27.62	54	1.10			62	13125	23.95	55	1.30			70	11678	21.31	55	1.45			81	10067	18.37	55	1.70			100	8176	14.92	55	2.10			118	6938	12.66	54	2.30			35	34480	42.90	87	0.90			41	29425	36.61	89	1.05	GK169 GKA169	4P	46	25840	32.15	90	1.15			52	23051	28.68	90	1.30			61	19651	24.45	90	1.55			74	16284	20.26	89	1.85			86	13897	17.29	88	2.20																																																																																																																																																																																																						
70	14273	21.31	49	1.10	GK159 GKF159 GKA159 GKAF159	4P	81	12304	18.37	50	1.15			100	9993	14.92	50	1.26			118	8479	12.66	50	1.35			90kW							132kW							15	55984	102.16	136	0.85	GK189 GKA189	4P	20	59444	73.96	111	0.80			GK189 GKA189	4P	17	48224	88.00					138	1.00	20					40530	73.96	139					1.15	23	35094					64.04	138	1.35					28	29241	53.36					137	1.60	33	24934	45.50			134	1.90	35	23296	42.51			134	2.00	39	21136	38.57			134	2.20	22	37308	68.08			104	0.80	25	33286	60.74			105	0.90	GK169 GKA169	4P	29	28370	51.77	106	1.05			35	23509	42.90	106	1.30			41	20062	36.61	105	1.50			46	17618	32.15	104	1.70			52	15717	28.68	103			1.90	61	13399	24.45	101	2.30			74	11103	20.26	98	2.70			86	9475	17.29	95	3.20	39	20835	38.02	50	0.80	48	17153	31.30	53	1.00	GK159 GKF159 GKA159 GKAF159	4P	54	15136	27.62	54	1.10			62	13125	23.95	55	1.30			70	11678	21.31	55	1.45			81	10067	18.37	55	1.70			100	8176	14.92	55	2.10			118	6938	12.66	54	2.30			35	34480	42.90	87	0.90			41	29425	36.61	89	1.05	GK169 GKA169	4P	46	25840	32.15	90	1.15			52	23051	28.68	90	1.30			61	19651	24.45	90	1.55			74	16284	20.26	89	1.85			86	13897	17.29	88	2.20																																																																																																																																																																																																													
81	12304	18.37	50	1.15			100	9993	14.92	50	1.26			118	8479	12.66	50	1.35			90kW							132kW							15	55984	102.16	136	0.85	GK189 GKA189	4P	20	59444	73.96	111	0.80			GK189 GKA189	4P	17	48224	88.00					138	1.00	20					40530	73.96	139					1.15	23	35094					64.04	138	1.35					28	29241	53.36					137	1.60	33	24934	45.50			134	1.90	35	23296	42.51			134	2.00	39	21136	38.57			134	2.20	22	37308	68.08			104	0.80	25	33286	60.74			105	0.90	GK169 GKA169	4P	29	28370	51.77	106	1.05			35	23509	42.90	106	1.30			41	20062	36.61	105	1.50			46	17618	32.15	104	1.70			52	15717	28.68	103	1.90			61	13399	24.45	101			2.30	74	11103	20.26	98	2.70			86	9475	17.29	95	3.20	39	20835	38.02	50	0.80	48	17153	31.30	53	1.00	GK159 GKF159 GKA159 GKAF159	4P	54	15136	27.62	54	1.10			62	13125	23.95	55	1.30			70	11678	21.31	55	1.45			81	10067	18.37	55	1.70			100	8176	14.92	55	2.10			118	6938	12.66	54	2.30			35	34480	42.90	87	0.90			41	29425	36.61	89	1.05	GK169 GKA169	4P	46	25840	32.15	90	1.15			52	23051	28.68	90	1.30			61	19651	24.45	90	1.55			74	16284	20.26	89	1.85			86	13897	17.29	88	2.20																																																																																																																																																																																																																				
100	9993	14.92	50	1.26			118	8479	12.66	50	1.35			90kW							132kW							15	55984	102.16	136	0.85	GK189 GKA189	4P	20	59444	73.96	111	0.80			GK189 GKA189	4P	17	48224	88.00					138	1.00	20					40530	73.96	139					1.15	23	35094					64.04	138	1.35					28	29241	53.36					137	1.60	33	24934	45.50			134	1.90	35	23296	42.51			134	2.00	39	21136	38.57			134	2.20	22	37308	68.08			104	0.80	25	33286	60.74			105	0.90	GK169 GKA169	4P	29	28370	51.77	106	1.05			35	23509	42.90	106	1.30			41	20062	36.61	105	1.50			46	17618	32.15	104	1.70			52	15717	28.68	103	1.90			61	13399	24.45	101	2.30			74	11103	20.26	98			2.70	86	9475	17.29	95	3.20	39	20835	38.02	50	0.80	48	17153	31.30	53	1.00	GK159 GKF159 GKA159 GKAF159	4P	54	15136	27.62	54	1.10			62	13125	23.95	55	1.30			70	11678	21.31	55	1.45			81	10067	18.37	55	1.70			100	8176	14.92	55	2.10			118	6938	12.66	54	2.30			35	34480	42.90	87	0.90			41	29425	36.61	89	1.05	GK169 GKA169	4P	46	25840	32.15	90	1.15			52	23051	28.68	90	1.30			61	19651	24.45	90	1.55			74	16284	20.26	89	1.85			86	13897	17.29	88	2.20																																																																																																																																																																																																																											
118	8479	12.66	50	1.35			90kW							132kW							15	55984	102.16	136	0.85	GK189 GKA189	4P	20	59444	73.96	111	0.80			GK189 GKA189	4P	17	48224	88.00					138	1.00	20					40530	73.96	139					1.15	23	35094					64.04	138	1.35					28	29241	53.36					137	1.60	33	24934	45.50			134	1.90	35	23296	42.51			134	2.00	39	21136	38.57			134	2.20	22	37308	68.08			104	0.80	25	33286	60.74			105	0.90	GK169 GKA169	4P	29	28370	51.77	106	1.05			35	23509	42.90	106	1.30			41	20062	36.61	105	1.50			46	17618	32.15	104	1.70			52	15717	28.68	103	1.90			61	13399	24.45	101	2.30			74	11103	20.26	98	2.70			86	9475	17.29	95	3.20	39	20835	38.02	50	0.80	48	17153	31.30	53	1.00	GK159 GKF159 GKA159 GKAF159	4P	54	15136	27.62	54	1.10			62	13125	23.95	55	1.30			70	11678	21.31	55	1.45			81	10067	18.37	55	1.70			100	8176	14.92	55	2.10			118	6938	12.66	54	2.30			35	34480	42.90	87	0.90			41	29425	36.61	89	1.05	GK169 GKA169	4P	46	25840	32.15	90	1.15			52	23051	28.68	90	1.30			61	19651	24.45	90	1.55			74	16284	20.26	89	1.85			86	13897	17.29	88	2.20																																																																																																																																																																																																																																		
90kW							132kW																																																																																																																																																																																																																																																																																																																																																																																																																																																																																																											
15	55984	102.16	136	0.85	GK189 GKA189	4P	20	59444	73.96	111	0.80	GK189 GKA189	4P																																																																																																																																																																																																																																																																																																																																																																																																																																																																																																					
17	48224	88.00	138	1.00			20	40530	73.96	139	1.15			23	35094	64.04	138	1.35	28	29241	53.36	137	1.60	33	24934			45.50	134	1.90	35	23296					42.51	134	2.00					39	21136	38.57					134	2.20	22					37308	68.08	104	0.80	25			33286	60.74	105	0.90	GK169 GKA169			4P	29	28370	51.77	106			1.05	35	23509	42.90	106			1.30	41	20062	36.61	105			1.50	46	17618	32.15	104	1.70	52	15717	28.68	103	1.90	61	13399	24.45	101	2.30	74	11103	20.26	98	2.70	86	9475			17.29	95	3.20	39	20835			38.02	50	0.80	48	17153			31.30	53	1.00	GK159 GKF159 GKA159 GKAF159	4P			54	15136	27.62	54	1.10			62	13125	23.95	55	1.30	70	11678	21.31	55	1.45	81	10067	18.37	55	1.70	100	8176	14.92	55	2.10	118	6938	12.66	54	2.30	35	34480	42.90	87	0.90	41	29425	36.61	89	1.05	GK169 GKA169			4P	46	25840	32.15	90			1.15	52	23051	28.68	90			1.30	61	19651	24.45	90			1.55	74	16284	20.26	89			1.85	86	13897	17.29	88	2.20																																																																																																																																																																																																																																																																																									
20	40530	73.96	139	1.15			23	35094	64.04	138	1.35			28	29241	53.36	137	1.60	33	24934	45.50	134	1.90	35	23296			42.51	134	2.00	39	21136					38.57	134	2.20					22	37308	68.08					104	0.80	25	33286	60.74			105	0.90	GK169 GKA169	4P	29			28370	51.77	106	1.05					35	23509	42.90	106			1.30	41	20062	36.61	105			1.50	46	17618	32.15	104	1.70	52	15717	28.68	103	1.90	61	13399	24.45	101	2.30	74	11103	20.26	98	2.70	86	9475	17.29	95	3.20	39	20835	38.02	50			0.80	48	17153	31.30	53			1.00	GK159 GKF159 GKA159 GKAF159	4P	54	15136			27.62	54	1.10					62	13125	23.95	55	1.30	70	11678	21.31	55	1.45	81	10067	18.37	55	1.70	100	8176	14.92	55	2.10	118	6938	12.66	54	2.30	35	34480	42.90	87	0.90	41	29425	36.61	89	1.05	GK169 GKA169	4P	46	25840	32.15	90	1.15					52	23051	28.68	90			1.30	61	19651	24.45	90			1.55	74	16284	20.26	89			1.85	86	13897	17.29	88	2.20																																																																																																																																																																																																																																																																																																
23	35094	64.04	138	1.35			28	29241	53.36	137	1.60			33	24934	45.50	134	1.90	35	23296	42.51	134	2.00	39	21136			38.57	134	2.20	22	37308					68.08	104	0.80					25	33286	60.74	105	0.90			GK169 GKA169	4P	29	28370	51.77			106	1.05			35			23509	42.90	106	1.30					41	20062	36.61	105			1.50	46	17618	32.15	104	1.70	52	15717	28.68	103	1.90	61	13399	24.45	101	2.30	74	11103	20.26	98	2.70	86	9475	17.29	95	3.20	39	20835	38.02	50	0.80	48	17153	31.30	53	1.00	GK159 GKF159 GKA159 GKAF159			4P	54	15136	27.62	54			1.10			62	13125			23.95	55	1.30			70	11678	21.31	55	1.45	81	10067	18.37	55	1.70	100	8176	14.92	55	2.10	118	6938	12.66	54	2.30	35	34480	42.90	87	0.90	41	29425	36.61	89	1.05	GK169 GKA169	4P	46	25840	32.15	90	1.15			52	23051	28.68	90	1.30					61	19651	24.45	90			1.55	74	16284	20.26	89			1.85	86	13897	17.29	88	2.20																																																																																																																																																																																																																																																																																																							
28	29241	53.36	137	1.60			33	24934	45.50	134	1.90			35	23296	42.51	134	2.00	39	21136	38.57	134	2.20	22	37308			68.08	104	0.80	25	33286					60.74	105	0.90	GK169 GKA169	4P			29	28370	51.77	106	1.05					35	23509	42.90			106	1.30			41			20062	36.61	105	1.50					46	17618	32.15	104	1.70	52	15717	28.68	103	1.90	61	13399	24.45	101	2.30	74	11103	20.26	98	2.70	86	9475	17.29	95	3.20	39	20835	38.02	50	0.80	48	17153	31.30	53	1.00	GK159 GKF159 GKA159 GKAF159	4P	54	15136	27.62	54	1.10					62	13125	23.95	55			1.30			70	11678	21.31	55	1.45	81	10067			18.37	55	1.70	100	8176	14.92	55	2.10	118	6938	12.66	54	2.30	35	34480	42.90	87	0.90	41	29425	36.61	89	1.05	GK169 GKA169	4P	46	25840	32.15	90	1.15			52	23051	28.68	90	1.30			61	19651	24.45	90	1.55					74	16284	20.26	89			1.85	86	13897	17.29	88	2.20																																																																																																																																																																																																																																																																																																														
33	24934	45.50	134	1.90			35	23296	42.51	134	2.00			39	21136	38.57	134	2.20	22	37308	68.08	104	0.80	25	33286			60.74	105	0.90	GK169 GKA169	4P	29	28370			51.77	106	1.05					35	23509	42.90	106	1.30					41	20062	36.61			105	1.50			46			17618	32.15	104	1.70		52	15717		28.68	103	1.90	61	13399	24.45	101	2.30	74	11103	20.26	98	2.70	86	9475	17.29	95	3.20	39	20835	38.02	50	0.80	48	17153	31.30	53	1.00	GK159 GKF159 GKA159 GKAF159	4P	54	15136	27.62	54	1.10			62	13125	23.95	55	1.30					70	11678	21.31	55	1.45	81	10067			18.37	55	1.70	100	8176	14.92	55			2.10	118	6938	12.66	54	2.30	35	34480	42.90	87	0.90	41	29425	36.61	89	1.05	GK169 GKA169	4P	46	25840	32.15	90	1.15			52	23051	28.68	90	1.30			61	19651	24.45	90	1.55			74	16284	20.26	89	1.85					86	13897	17.29	88	2.20																																																																																																																																																																																																																																																																																																																					
35	23296	42.51	134	2.00			39	21136	38.57	134	2.20			22	37308	68.08	104	0.80	25	33286	60.74	105	0.90	GK169 GKA169	4P	29	28370	51.77	106	1.05			35	23509			42.90	106	1.30					41	20062	36.61	105	1.50					46	17618	32.15			104	1.70			52	15717	28.68	103	1.90	61	13399		24.45	101		2.30	74	11103	20.26	98	2.70	86	9475	17.29	95	3.20	39	20835	38.02	50	0.80	48	17153	31.30	53	1.00	GK159 GKF159 GKA159 GKAF159	4P	54	15136	27.62	54	1.10			62	13125	23.95	55	1.30			70	11678	21.31	55	1.45		81	10067		18.37	55	1.70	100	8176	14.92	55			2.10	118	6938	12.66	54	2.30	35			34480	42.90	87	0.90	41	29425	36.61	89	1.05	GK169 GKA169	4P	46	25840	32.15	90	1.15			52	23051	28.68	90	1.30			61	19651	24.45	90	1.55			74	16284	20.26	89	1.85			86	13897	17.29	88	2.20																																																																																																																																																																																																																																																																																																																														
39	21136	38.57	134	2.20			22	37308	68.08	104	0.80			25	33286	60.74	105	0.90	GK169 GKA169	4P	29	28370	51.77			106	1.05	35	23509	42.90			106	1.30			41	20062	36.61					105	1.50	46	17618	32.15					104	1.70	52	15717	28.68	103	1.90			61	13399	24.45	101	2.30	74	11103		20.26	98		2.70	86	9475	17.29	95	3.20	39	20835	38.02	50	0.80	48	17153	31.30	53	1.00	GK159 GKF159 GKA159 GKAF159	4P	54	15136	27.62			54	1.10	62	13125	23.95			55	1.30	70	11678	21.31			55	1.45	81	10067	18.37		55	1.70		100	8176	14.92	55	2.10	118	6938			12.66	54	2.30	35	34480	42.90	87			0.90	41	29425	36.61	89	1.05	GK169 GKA169	4P	46			25840	32.15	90	1.15	52			23051	28.68	90	1.30	61			19651	24.45	90	1.55	74			16284	20.26	89	1.85	86			13897	17.29	88	2.20																																																																																																																																																																																																																																																																																																																															
22	37308	68.08	104	0.80	25	33286	60.74	105	0.90	GK169 GKA169	4P			29	28370	51.77	106	1.05			35	23509	42.90			106	1.30	41	20062	36.61			105	1.50			46	17618	32.15					104	1.70	52	15717	28.68	103	1.90			61	13399	24.45	101	2.30	74	11103			20.26	98	2.70	86	9475	17.29	95		3.20	39		20835	38.02	50	0.80	48	17153	31.30	53	1.00	GK159 GKF159 GKA159 GKAF159	4P	54	15136	27.62	54	1.10			62	13125	23.95			55	1.30	70	11678	21.31			55	1.45	81	10067	18.37			55	1.70	100	8176	14.92		55	2.10		118	6938	12.66	54	2.30	35	34480			42.90	87	0.90	41	29425	36.61	89			1.05	GK169 GKA169	4P	46	25840	32.15			90			1.15	52	23051	28.68	90			1.30	61	19651	24.45	90			1.55	74	16284	20.26	89			1.85	86	13897	17.29	88			2.20																																																																																																																																																																																																																																																																																																																																		
25	33286	60.74	105	0.90	GK169 GKA169	4P	29	28370	51.77					106	1.05	35	23509	42.90			106	1.30	41			20062	36.61	105	1.50	46			17618	32.15			104	1.70	52			15717	28.68	103	1.90	61	13399	24.45	101	2.30			74	11103	20.26	98	2.70	86	9475			17.29	95	3.20	39	20835	38.02	50	0.80	48	17153	31.30	53	1.00	GK159 GKF159 GKA159 GKAF159	4P	54	15136	27.62	54	1.10			62	13125	23.95	55	1.30			70	11678	21.31			55	1.45	81	10067	18.37			55	1.70	100	8176	14.92			55	2.10	118	6938	12.66		54	2.30		35	34480	42.90	87	0.90	41	29425			36.61	89	1.05	GK169 GKA169	4P	46	25840	32.15	90	1.15			52	23051	28.68			90			1.30	61	19651	24.45	90			1.55	74	16284	20.26	89			1.85	86	13897	17.29	88			2.20																																																																																																																																																																																																																																																																																																																																									
29	28370	51.77	106	1.05			35	23509	42.90					106	1.30	41	20062	36.61			105	1.50	46			17618	32.15	104	1.70	52			15717	28.68	103	1.90	61	13399	24.45			101	2.30	74	11103	20.26	98	2.70	86	9475			17.29	95	3.20	39	20835	38.02	50	0.80	48	17153	31.30	53	1.00	GK159 GKF159 GKA159 GKAF159	4P	54	15136	27.62	54	1.10	62	13125			23.95	55	1.30	70	11678			21.31	55	1.45	81	10067			18.37	55	1.70			100	8176	14.92	55	2.10			118	6938	12.66	54	2.30			35	34480	42.90	87	0.90		41	29425		36.61	89	1.05	GK169 GKA169	4P	46	25840	32.15	90	1.15	52	23051			28.68	90	1.30	61	19651			24.45	90	1.55			74			16284	20.26	89	1.85	86			13897	17.29	88	2.20																																																																																																																																																																																																																																																																																																																																																				
35	23509	42.90	106	1.30			41	20062	36.61					105	1.50	46	17618	32.15			104	1.70	52			15717	28.68	103	1.90	61			13399	24.45	101	2.30	74	11103	20.26			98	2.70	86	9475	17.29	95	3.20	39	20835	38.02	50	0.80	48	17153	31.30	53	1.00	GK159 GKF159 GKA159 GKAF159	4P	54	15136	27.62	54	1.10			62	13125	23.95	55	1.30	70	11678			21.31	55	1.45	81	10067			18.37	55	1.70	100	8176			14.92	55	2.10			118	6938	12.66	54	2.30			35	34480	42.90	87	0.90			41	29425	36.61	89	1.05	GK169 GKA169	4P	46	25840	32.15	90	1.15			52	23051	28.68	90	1.30	61	19651			24.45	90	1.55	74	16284			20.26	89	1.85			86			13897	17.29	88	2.20																																																																																																																																																																																																																																																																																																																																																											
41	20062	36.61	105	1.50			46	17618	32.15			104	1.70	52	15717	28.68	103	1.90			61	13399	24.45			101	2.30	74	11103	20.26			98	2.70	86	9475	17.29	95	3.20	39	20835	38.02	50	0.80	48	17153	31.30	53	1.00	GK159 GKF159 GKA159 GKAF159	4P	54	15136	27.62	54	1.10	62	13125			23.95	55	1.30	70	11678			21.31	55	1.45	81	10067	18.37	55			1.70	100	8176	14.92	55			2.10	118	6938	12.66	54			2.30	35	34480			42.90	87	0.90	41	29425			36.61	89	1.05	GK169 GKA169	4P	46	25840	32.15	90	1.15	52	23051			28.68	90	1.30	61	19651			24.45	90	1.55	74	16284	20.26	89			1.85	86	13897	17.29	88			2.20																																																																																																																																																																																																																																																																																																																																																																						
46	17618	32.15	104	1.70			52	15717	28.68			103	1.90	61	13399	24.45	101	2.30			74	11103	20.26			98	2.70	86	9475	17.29	95	3.20	39	20835	38.02	50	0.80	48	17153	31.30	53	1.00	GK159 GKF159 GKA159 GKAF159	4P	54	15136	27.62	54	1.10			62	13125	23.95	55	1.30	70	11678			21.31	55	1.45	81	10067			18.37	55	1.70	100	8176	14.92	55			2.10	118	6938	12.66	54			2.30	35	34480	42.90	87			0.90	41	29425			36.61	89	1.05	GK169 GKA169	4P	46	25840	32.15	90	1.15			52	23051	28.68	90	1.30	61	19651			24.45	90	1.55	74	16284			20.26	89	1.85	86	13897	17.29	88			2.20																																																																																																																																																																																																																																																																																																																																																																													
52	15717	28.68	103	1.90			61	13399	24.45			101	2.30	74	11103	20.26	98	2.70			86	9475	17.29	95	3.20	39	20835	38.02	50	0.80	48	17153	31.30	53	1.00	GK159 GKF159 GKA159 GKAF159	4P	54	15136	27.62	54	1.10			62	13125	23.95	55	1.30			70	11678	21.31	55	1.45	81	10067			18.37	55	1.70	100	8176			14.92	55	2.10	118	6938	12.66	54			2.30	35	34480	42.90	87			0.90	41	29425	36.61	89			1.05	GK169 GKA169	4P	46	25840	32.15	90	1.15			52	23051	28.68	90	1.30			61	19651	24.45	90	1.55	74	16284			20.26	89	1.85	86	13897			17.29	88	2.20																																																																																																																																																																																																																																																																																																																																																																																				
61	13399	24.45	101	2.30			74	11103	20.26			98	2.70	86	9475	17.29	95	3.20	39	20835	38.02	50	0.80	48	17153	31.30	53	1.00	GK159 GKF159 GKA159 GKAF159	4P	54	15136	27.62	54	1.10			62	13125	23.95	55	1.30			70	11678	21.31	55	1.45			81	10067	18.37	55	1.70	100	8176			14.92	55	2.10	118	6938			12.66	54	2.30	35	34480	42.90	87			0.90	41	29425	36.61	89			1.05	GK169 GKA169	4P	46	25840	32.15	90	1.15			52	23051	28.68	90	1.30			61	19651	24.45	90	1.55			74	16284	20.26	89	1.85	86	13897			17.29	88	2.20																																																																																																																																																																																																																																																																																																																																																																																											
74	11103	20.26	98	2.70			86	9475	17.29	95	3.20	39	20835	38.02	50	0.80	48	17153	31.30	53	1.00	GK159 GKF159 GKA159 GKAF159	4P	54	15136	27.62	54	1.10			62	13125	23.95	55	1.30			70	11678	21.31	55	1.45			81	10067	18.37	55	1.70			100	8176	14.92	55	2.10	118	6938			12.66	54	2.30	35	34480			42.90	87	0.90	41	29425	36.61	89			1.05	GK169 GKA169	4P	46	25840	32.15	90	1.15			52	23051	28.68	90	1.30			61	19651	24.45	90	1.55			74	16284	20.26	89	1.85			86	13897	17.29	88	2.20																																																																																																																																																																																																																																																																																																																																																																																																		
86	9475	17.29	95	3.20	39	20835	38.02	50	0.80	48	17153	31.30	53	1.00	GK159 GKF159 GKA159 GKAF159	4P	54	15136	27.62	54	1.10			62	13125	23.95	55	1.30			70	11678	21.31	55	1.45			81	10067	18.37	55	1.70			100	8176	14.92	55	2.10			118	6938	12.66	54	2.30	35	34480			42.90	87	0.90	41	29425			36.61	89	1.05	GK169 GKA169	4P	46	25840	32.15	90	1.15			52	23051	28.68	90	1.30			61	19651	24.45	90	1.55			74	16284	20.26	89	1.85			86	13897	17.29	88	2.20																																																																																																																																																																																																																																																																																																																																																																																																									
39	20835	38.02	50	0.80	48	17153	31.30	53	1.00	GK159 GKF159 GKA159 GKAF159	4P	54	15136	27.62			54	1.10	62	13125	23.95			55	1.30	70	11678	21.31			55	1.45	81	10067	18.37			55	1.70	100	8176	14.92			55	2.10	118	6938	12.66			54	2.30	35	34480	42.90	87	0.90			41	29425	36.61	89	1.05	GK169 GKA169	4P	46	25840	32.15			90	1.15	52	23051	28.68			90	1.30	61	19651	24.45			90	1.55	74	16284	20.26			89	1.85	86	13897	17.29			88	2.20																																																																																																																																																																																																																																																																																																																																																																																																												
48	17153	31.30	53	1.00	GK159 GKF159 GKA159 GKAF159	4P	54	15136	27.62			54	1.10	62			13125	23.95	55	1.30	70			11678	21.31	55	1.45	81			10067	18.37	55	1.70	100			8176	14.92	55	2.10	118			6938	12.66	54	2.30	35			34480	42.90	87	0.90	41	29425	36.61	89	1.05	GK169 GKA169	4P	46	25840	32.15			90	1.15	52			23051	28.68	90	1.30	61			19651	24.45	90	1.55	74			16284	20.26	89	1.85	86			13897	17.29	88	2.20																																																																																																																																																																																																																																																																																																																																																																																																																	
54	15136	27.62	54	1.10			62	13125	23.95			55	1.30	70			11678	21.31	55	1.45	81			10067	18.37	55	1.70	100			8176	14.92	55	2.10	118			6938	12.66	54	2.30	35			34480	42.90	87	0.90	41	29425	36.61	89	1.05	GK169 GKA169	4P	46	25840	32.15	90	1.15			52	23051	28.68			90	1.30	61			19651	24.45	90	1.55	74			16284	20.26	89	1.85	86			13897	17.29	88	2.20																																																																																																																																																																																																																																																																																																																																																																																																																								
62	13125	23.95	55	1.30			70	11678	21.31			55	1.45	81			10067	18.37	55	1.70	100			8176	14.92	55	2.10	118			6938	12.66	54	2.30	35			34480	42.90	87	0.90	41	29425	36.61	89	1.05	GK169 GKA169	4P	46	25840	32.15	90	1.15			52	23051	28.68	90	1.30			61	19651	24.45			90	1.55	74			16284	20.26	89	1.85	86			13897	17.29	88	2.20																																																																																																																																																																																																																																																																																																																																																																																																																															
70	11678	21.31	55	1.45			81	10067	18.37			55	1.70	100			8176	14.92	55	2.10	118			6938	12.66	54	2.30	35			34480	42.90	87	0.90	41	29425	36.61	89	1.05	GK169 GKA169	4P	46	25840	32.15	90	1.15			52	23051	28.68	90	1.30			61	19651	24.45	90	1.55			74	16284	20.26			89	1.85	86			13897	17.29	88	2.20																																																																																																																																																																																																																																																																																																																																																																																																																																						
81	10067	18.37	55	1.70			100	8176	14.92			55	2.10	118			6938	12.66	54	2.30	35			34480	42.90	87	0.90	41	29425	36.61	89	1.05	GK169 GKA169	4P	46	25840	32.15	90	1.15			52	23051	28.68	90	1.30			61	19651	24.45	90	1.55			74	16284	20.26	89	1.85			86	13897	17.29			88	2.20																																																																																																																																																																																																																																																																																																																																																																																																																																													
100	8176	14.92	55	2.10			118	6938	12.66			54	2.30	35			34480	42.90	87	0.90	41	29425	36.61	89	1.05	GK169 GKA169	4P	46	25840	32.15	90	1.15			52	23051	28.68	90	1.30			61	19651	24.45	90	1.55			74	16284	20.26	89	1.85			86	13897	17.29	88	2.20																																																																																																																																																																																																																																																																																																																																																																																																																																																						
118	6938	12.66	54	2.30			35	34480	42.90			87	0.90	41	29425	36.61	89	1.05	GK169 GKA169	4P	46	25840	32.15	90	1.15			52	23051	28.68	90	1.30			61	19651	24.45	90	1.55			74	16284	20.26	89	1.85			86	13897	17.29	88	2.20																																																																																																																																																																																																																																																																																																																																																																																																																																																													
35	34480	42.90	87	0.90			41	29425	36.61	89	1.05	GK169 GKA169	4P	46	25840	32.15	90	1.15			52	23051	28.68	90	1.30			61	19651	24.45	90	1.55			74	16284	20.26	89	1.85			86	13897	17.29	88	2.20																																																																																																																																																																																																																																																																																																																																																																																																																																																																				
41	29425	36.61	89	1.05	GK169 GKA169	4P	46	25840	32.15	90	1.15			52	23051	28.68	90	1.30			61	19651	24.45	90	1.55			74	16284	20.26	89	1.85			86	13897	17.29	88	2.20																																																																																																																																																																																																																																																																																																																																																																																																																																																																											
46	25840	32.15	90	1.15			52	23051	28.68	90	1.30			61	19651	24.45	90	1.55			74	16284	20.26	89	1.85			86	13897	17.29	88	2.20																																																																																																																																																																																																																																																																																																																																																																																																																																																																																		
52	23051	28.68	90	1.30			61	19651	24.45	90	1.55			74	16284	20.26	89	1.85			86	13897	17.29	88	2.20																																																																																																																																																																																																																																																																																																																																																																																																																																																																																									
61	19651	24.45	90	1.55			74	16284	20.26	89	1.85			86	13897	17.29	88	2.20																																																																																																																																																																																																																																																																																																																																																																																																																																																																																																
74	16284	20.26	89	1.85			86	13897	17.29	88	2.20																																																																																																																																																																																																																																																																																																																																																																																																																																																																																																							
86	13897	17.29	88	2.20																																																																																																																																																																																																																																																																																																																																																																																																																																																																																																														

选型参数表
(恒功率)
Selection Table
(Constant Power)

n_a [r/min]	M_a [N.m]	i	F_{Ra} [kN]	f_B	机型号 Type size	极数 Pole	n_a [r/min]	M_a [N.m]	i	F_{Ra} [kN]	f_B	机型号 Type size	极数 Pole	
160kW							200kW							
28	51985	53.36	103	0.90	GK189 GKA189	4P	33	55409	45.50	90	0.85	GK189 GKA189	4P	
33	44327	45.50	106	1.05			45	40467	33.23	97	1.15			
45	32374	33.23	108	1.45			53	34001	27.92	98	1.30			
53	27200	27.92	108	1.75			62	29446	24.18	99	1.40			
62	23557	24.18	107	1.90			74	24538	20.15	98	1.50			
74	19631	20.15	105	2.10			87	20922	17.18	97	1.70			
87	16737	17.18	103	2.30										
41	35666	36.61	78	0.85	GK169 GKA169	4P								
61	23820	24.45	83	1.25										
74	19738	20.26	83	1.55										
86	16844	17.29	82	1.80										

选型参数表
(恒转矩)
Selection Table
(Constant Torque)

M_{amax} [N.m]	n_a [r/min]	i	F_{Ra} [kN]	机型号 Type size	P [kW]/4P	M_{amax} [N.m]	n_a [r/min]	i	F_{Ra} [kN]	机型号 Type size	P [kW]/4P	
200	0.19	6832	5.4	GK39R19 GKF39R19 GKA39R19 GKAF39R19	0.12	400	3.5	375	5.6	GK49R39 GKF49R39 GKA49R39 GKAF49R39	0.25	
	0.22	5922	5.4				4.1	327	5.6			
	0.24	5491	5.4				4.6	289	5.6			
	0.28	4759	5.4									
	0.31	4160	5.4									
	0.36	3645	5.4									
	0.41	3205	5.4									
	0.47	2801	5.4									
	0.53	2454	5.4									
	0.60	2166	5.4									
	0.69	1892	5.4									
	0.79	1660	5.4									
	0.89	1466	5.4									
	1.02	1288	5.4									
	1.15	1136	5.4									
	1.32	996	5.4	GK39R19 GKF39R19 GKA39R19 GKAF39R19	0.12		600	0.11	12169	7.2	GK59R39 GKF59R39 GKA59R39 GKAF59R39	0.12
	1.50	876	5.4				0.12	11162	7.2			
	1.72	761	5.4				0.14	9503	7.2			
	1.95	671	5.4				0.15	8547	7.2			
	2.24	585	5.4				0.18	7277	7.2			
2.56	512	5.4	0.2			6478	7.2					
2.90	451	5.4	0.23			5662	7.2					
3.31	396	5.4	0.26			5033	7.2					
3.79	346	5.4	0.3			4340	7.2					
4.31	304	5.4	0.34			3854	7.2					
4.91	267	5.4	0.39	3390	7.2							
5.60	234	5.4	0.45	2924	7.2							
6.39	205	5.4	0.51	2593	7.2							
7.3	181	5.4	0.58	2249	7.2							
8.3	160	5.4	0.66	1986	7.2							
9.8	136	5.4	0.75	1743	7.2							
10.5	127	5.4	0.85	1539	7.2							
12	110	5.4	0.97	1354	7.2							
14	96	5.4	1.1	1174	7.2							
400	0.13	10138	5.6	GK39R19 GKF39R19 GKA39R19 GKAF39R19	0.37	1.3	1036	7.2	GK59R39 GKF59R39 GKA59R39 GKAF59R39	0.12		
	0.15	8534	5.6			1.4	906	7.2				
	0.17	7662	5.6			1.6	806	7.2				
	0.19	6826	5.6			1.9	699	7.2				
	0.22	5983	5.6			2.1	615	7.2				
	0.25	5158	5.6			2.4	544	7.2				
	0.28	4601	5.6			2.8	473	7.2				
	0.33	3940	5.6			3.2	421	7.2				
	0.38	3477	5.6			3.7	362	7.2				
	0.43	3043	5.6			4.2	319	7.2				
	0.48	2732	5.6	4.8	280	7.2						
	0.56	2354	5.6	5.7	246	7.2						
	0.63	2063	5.6	6.5	215	7.2						
	0.72	1819	5.6	7.2	192	7.2						
	0.83	1586	5.6	8.4	166	7.2						
	0.94	1388	5.6	9.6	145	7.2						
	1.1	1222	5.6	11	129	7.2						
	1.2	1097	5.6	13	111	7.2						
	1.4	945	5.6	14	97	7.2						
	1.6	831	5.6									
1.8	718	5.6										
2.1	639	5.6										
2.4	552	5.6	GK49R39 GKF49R39 GKA49R39 GKAF49R39	0.18	820	0.11	12139	10	GK69R39 GKF69R39 GKA69R39 GKAF69R39	0.12		
2.6	495	5.6			0.12	11134	10					
3.1	426	5.6			0.14	9479	10					
					0.16	8173	10					

选型参数表
(恒转矩)
Selection Table
(Constant Torque)

M_{amax} [N.m]	n_a [r/min]	i	F_{Ra} [kN]	机型号 Type size	P [kW]/4P	M_{amax} [N.m]	n_a [r/min]	i	F_{Ra} [kN]	机型号 Type size	P [kW]/4P		
820	0.18	7259	10	GK69R39 GKF69R39 GKA69R39 GKAF69R39	0.12	1550	1.4	920	15	GK79R39 GKF79R39 GKA79R39 GKAF79R39	0.37		
	0.2	6462	10				1.6	812	15				
	0.23	5648	10				1.9	706	15				
	0.27	4846	10				GK79R39 GKF79R39 GKA79R39 GKAF79R39	0.55	2.2	620	15		
	0.3	4329	10						2.5	550	15		
	0.35	3750	10						2.9	483	15		
	0.4	3315	10						GK79R39 GKF79R39 GKA79R39 GKAF79R39	0.75	3.3	426	15
	0.45	2917	10								3.8	366	15
	0.52	2532	10				GK79R39 GKF79R39 GKA79R39 GKAF79R39	1.1	4.3	326	15		
	0.58	2244	10						4.8	289	15		
	0.66	1981	10	5.6	251				15				
	0.75	1739	10	GK69R39 GKF69R39 GKA69R39 GKAF69R39	0.18		2700	0.09	14828	26	GK89R59 GKF89R59 GKA89R59 GKAF89R59	0.12	
	0.85	1536	10					0.10	13168	26			
	0.97	1351	10					0.11	11736	26			
	1.1	1171	10					0.13	10217	26			
	1.3	1034	10	0.14	9073			26					
	1.5	903	10	0.17	7854			26					
	1.7	793	10	0.19	6832			26					
	1.9	697	10	0.22	5930			26					
	2.2	613	10	0.25	5239			26					
2.5	542	10	0.29	4562	26								
2.8	471	10	GK69R39 GKF69R39 GKA69R39 GKAF69R39	0.37	0.32	4037		26	GK89R59 GKF89R59 GKA89R59 GKAF89R59	0.18			
3.2	420	10			0.36	3609		26					
3.9	361	10			0.42	3106		26					
4.3	323	10	GK69R39 GKF69R39 GKA69R39 GKAF69R39	0.55	0.48	2728		26	GK89R59 GKF89R59 GKA89R59 GKAF89R59	0.25			
5	279	10			0.56	2371		26					
5.7	246	10			0.64	2087		26					
6.4	217	10			0.72	1854		26					
7.3	191	10	GK69R39 GKF69R39 GKA69R39 GKAF69R39	0.75	0.80	1658		26	GK89R59 GKF89R59 GKA89R59 GKAF89R59	0.37			
0.09	15248	15			0.94	1415		26					
0.09	13986	15			1.08	1229		26					
0.11	11907	15			GK79R39 GKF79R39 GKA79R39 GKAF79R39	0.12	1.3	1078	26	GK89R59 GKF89R59 GKA89R59 GKAF89R59	0.55		
0.13	10176	15					1.5	951	26				
0.15	8774	15	1.7	837			26						
0.17	7497	15	GK79R39 GKF79R39 GKA79R39 GKAF79R39	0.18	1.9	726	26	GK89R59 GKF89R59 GKA89R59 GKAF89R59	0.75				
0.2	6579	15			2.2	638	26						
0.23	5751	15			2.5	562	26	GK89R59 GKF89R59 GKA89R59 GKAF89R59	1.1				
0.26	5068	15			3.0	474	26						
0.29	4471	15			3.3	426	26						
0.33	3945	15	GK79R39 GKF79R39 GKA79R39 GKAF79R39	0.18	3.8	373	26	GK89R59 GKF89R59 GKA89R59 GKAF89R59	1.5				
0.38	3470	15			4.2	330	26						
0.45	2890	15			4.9	293	26	GK89R59 GKF89R59 GKA89R59 GKAF89R59	2.2				
0.48	2706	15			5.7	250	26						
0.56	2360	15	6.1	236	26								
0.64	2041	15	GK79R39 GKF79R39 GKA79R39 GKAF79R39	0.25	7.1	201	26						
0.74	1764	15			1	1382	15						
0.87	1508	15			1.1	1213	15						
1	1382	15	GK79R39 GKF79R39 GKA79R39 GKAF79R39	0.25	1.3	1048	15						
1.1	1213	15											
1.3	1048	15											

选型参数表
(恒转矩)
Selection Table
(Constant Torque)

M_{amax} [N.m]	n_a [r/min]	i	F_{Ra} [kN]	机型号 Type size	P [kW]/4P	M_{amax} [N.m]	n_a [r/min]	i	F_{Ra} [kN]	机型号 Type size	P [kW]/4P							
4300	0.07	18091	38	GK99R59 GKF99R59 GKA99R59 GKAF99R59	0.12	8000	0.12	10678	62	GK109R79	0.18							
	0.08	16666	38					9524	62	GKF109R79								
	0.09	14896	38					8328	62	GKA109R79								
	0.10	13183	38					0.18	7269	62		GKAF109R79						
	0.11	11677	38						6184	62		GK109R79						
	0.13	10317	38						5662	62		GKF109R79						
	0.14	9083	38						0.25	5138		62	GKA109R79					
	0.16	8055	38							4360		62	GKAF109R79					
	0.19	6969	38							3811		62	GK109R79					
	0.22	6027	38							3358		62	GKF109R79					
	0.24	5392	38	2977	62		GKA109R79											
	0.28	4669	38	2598	62		GKAF109R79											
	0.32	4081	38	0.37	2286		62			GK109R79								
	0.37	3583	38		1939		62	GKF109R79										
		3108	38		1713		62	GKA109R79										
		0.43	3108		38		1555	62		GKAF109R79								
	1336						62	GK109R79										
	0.48						2756	38	1166	62	GKF109R79							
		1030	62		GKA109R79													
		904	62		GKAF109R79													
0.55	2419	38	0.55		793	62	GK109R79											
					2123	38	696	62	GKF109R79									
				0.63	2123	38	614	62	GKA109R79									
0.75	1856	38					522	62	GKAF109R79									
							0.86	1625	38	461	62	GK109R79						
				0.97	1430	38				408	62	GKF109R79						
1.1	1261	38								364	62	GKA109R79						
							1.3	1102	38	318	62	GKAF109R79						
				1.5	957	38				286	62	GK109R79						
1.6	855	38								251	62	GKF109R79						
			1.9				743	38	0.75	1.8	793	62	GKA109R79					
				2.2	651	38				2.1	696	62	GKAF109R79					
2.4	573	38								2.3	614	62	GK109R79					
			2.8				504	38		2.7	522	62	GKF109R79					
				3.3	437	38				3.1	461	62	GKA109R79					
3.7	382	38								3.5	408	62	GKAF109R79					
			4.2				342	38		4.5	318	62	GK109R79					
				4.7	305	38				5	286	62	GKF109R79					
5.5	258	38								5.7	251	62	GKA109R79					
			6.2				232	38		1.1	0.07	17550	75	GKAF109R79				
				1.5	573	38			1.5		0.08	16006	75	GK109R79				
2.2	437	38									0.09	14975	75	GKF109R79				
			3.3				437	38			0.11	12440	75	GKA109R79				
				3.7	382	38					2.2	0.12	10914	75	GKAF109R79			
4.2	342	38										0.14	9819	75	GK109R79			
			4.7				305	38				3	0.16	8443	75	GKF109R79		
				5.5	258	38							3	0.18	7483	75	GKA109R79	
6.2	232	38												4	0.2	6565	75	GKAF109R79
			7.2				199	38							4	13000	0.07	17550
				0.08	16006	75				GKF129R79								
0.09	14975	75							GKA129R79									
			0.11				12440	75										
				0.12	10914	75				GK129R79								
0.14	9819	75							GKF129R79									
			0.16				8443	75			GKA129R79							
				0.18	7483	75				GKAF129R79								
0.2	6565	75							GK129R79									
			0.25				10914	75			GKF129R79							
				0.25	9819	75				GKA129R79								
0.37	8443	75							GKAF129R79									
			0.37				7483	75			GK129R79							
				0.37	6565	75				GKF129R79								
0.12	14311	62							GKA109R79									
			0.11				12211	62			GKAF109R79							
				0.12	14311	62				GK109R79								
0.12	12211	62							GKF109R79									
			0.12				14311	62			GKA109R79							
				0.12	12211	62				GKAF109R79								

选型参数表
(恒转矩)
Selection Table
(Constant Torque)

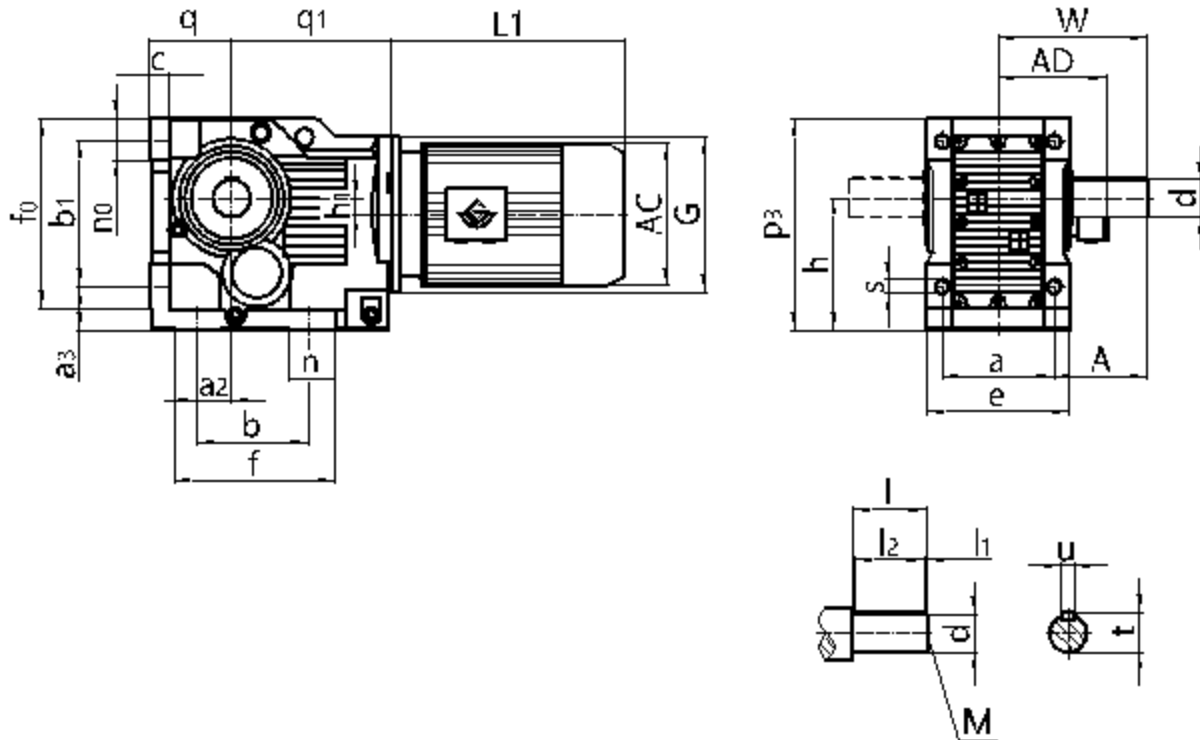
M_{amax} [N.m]	n_a [r/min]	i	F_{Ra} [kN]	机型号 Type size	P [kW]/4P	M_{amax} [N.m]	n_a [r/min]	i	F_{Ra} [kN]	机型号 Type size	P [kW]/4P	
13000	0.24	5804	75	GK129R79	0.55	18000	0.12	11368	107	GK159R99	0.55	
	0.28	5027	75	GKF129R79			0.14	10114	107	GKF159R99		
	0.31	4423	75	GKA129R79			0.16	8717	107	GKA159R99		
	0.36	3889	75	GKAF129R79			0.18	7734	107	GKAF159R99		
	0.42	3311	75	GK129R79	0.75		0.28	5074	107	GK159R99	1.1	
		0.46	3009	75			GKF129R79	0.31	4514	107		GKF159R99
							GKA129R79	0.35	3979	107		GKA159R99
							GKAF129R79	0.40	3540	107		GKAF159R99
	0.54	2607	75	GK129R79	1.1		0.46	3051	107	GK159R99	1.5	
		0.62	2268	75			GKF129R79	0.54	2610	107		GKF159R99
	GKA129R79				0.60		2323	107	GKA159R99			
	0.73	1926	75	GKAF129R79	1.1		0.70	2029	107	GK159R99	2.2	
				GKF129R79						GKF159R99		
	0.8	1757	75	GKA129R79	1.5		0.79	1805	107	GKA159R99	2.2	
				GKAF129R79						GKAF159R99		
	1.1	1342	75	GK129R79	2.2		0.86	1659	107	GK159R99	2.2	
				GKF129R79						GKF159R99		
				GKA129R79						GKA159R99		
	1.2	1177	75	GKAF129R79	2.2		1.05	1365	107	GKAF159R99	3	
				GK129R79						GK159R99		
				GKF129R79						GKF159R99		
	1.6	899	75	GKA129R79	3		1.2	1229	107	GKA159R99	3	
				GKAF129R79						GKAF159R99		
				GK129R79						GK159R99		
1.8	790	75	GKF129R79	3	1.3	1093	107	GKF159R99	4			
			GKA129R79					GKA159R99				
			GKAF129R79					GKAF159R99				
2	704	75	GK129R79	3	1.5	942	107	GK159R99	4			
			GKF129R79					GKF159R99				
			GKA129R79					GKA159R99				
2.4	610	75	GKAF129R79	4	1.7	853	107	GKAF159R99	4			
			GK129R79					GK159R99				
			GKF129R79					GKF159R99				
2.6	549	75	GKA129R79	4	1.9	756	107	GKA159R99	5.5			
			GKAF129R79					GKAF159R99				
			GK129R79					GK159R99				
3	477	75	GKF129R79	5.5	2.2	661	107	GKF159R99	5.5			
			GKA129R79					GKA159R99				
			GKAF129R79					GKAF159R99				
3.4	419	75	GK129R79	5.5	2.5	567	107	GK159R99	7.5			
			GKF129R79					GKF159R99				
			GKA129R79					GKA159R99				
2.7	539	75	GKAF129R79	5.5	2.9	504	107	GKAF159R99	7.5			
			GK129R89					GK159R99				
			GKF129R89					GKF159R99				
3	476	75	GKA129R89	4	3.3	434	107	GKA159R99	7.5			
			GKAF129R89					GKAF159R99				
			GK129R89					GK159R99				
3.4	420	75	GKF129R89	4	3.8	379	107	GKF159R99	7.5			
			GKA129R89					GKA159R99				
			GKAF129R89					GKAF159R99				
3	476	75	GK129R89	5.5	4.3	333	107	GK159R99	11			
			GKF129R89					GK159R99				
			GKA129R89					GKA159R99				
3.9	368	75	GKAF129R89	5.5	5.0	291	107	GKAF159R99	11			
			GK129R89					GK159R109				
			GKF129R89					GKF159R109				
4.4	331	75	GKA129R89	7.5	3.7	385	107	GKA159R109	7.5			
			GKAF129R89					GKAF159R109				
			GK129R89					GK159R109				
5	287	75	GKF129R89	7.5	4.4	325	107	GKF159R109	7.5			
			GKA129R89					GKA159R109				
			GKAF129R89					GKAF159R109				
5.7	254	75	GK129R89	7.5	4.9	299	107	GK159R109	11			
			GKF129R89					GKF159R109				
			GKA129R89					GKA159R109				
18000	0.08	17680	107	GKAF129R89	7.5	5.8	253	107	GK159R109	15		
	0.09	15730	107	GK159R99								
	0.09	14721	107	GKF159R99								
	0.11	13097	107	GKA159R99								
				GKAF159R99		6.3	230	107	GKA159R109			
						6.9	213	107	GKAF159R109			

选型参数表
(恒转矩)
Selection Table
(Constant Torque)

M_{amax} [N.m]	n_a [r/min]	i	F_{Ra} [kN]	机型号 Type size	P [kW]/4P	M_{amax} [N.m]	n_a [r/min]	i	F_{Ra} [kN]	机型号 Type size	P [kW]/4P
32000	0.07	19725	135	GK169R99 GKA169R99	0.55	50000	0.04	32625	171	GK189R99 GKA189R99	0.55
	0.08	17409	135				0.05	27165	171		
	0.09	15000	135	0.06	24353		171				
	0.11	13238	135	0.07	19144		171				
	0.12	11575	135	0.08	16978		171				
	0.14	10265	135	0.10	14272		171				
	0.16	8629	135	GK169R99 GKA169R99	0.75		0.11	13116	171	GK189R99 GKA189R99	0.75
	0.21	6562	135	GK169R99 GKA169R99	1.1		0.12	11647	171	GK189R99 GKA189R99	1.1
	0.26	5355	135	GK169R99 GKA169R99	1.5		0.13	10413	171	GK189R99 GKA189R99	1.1
	0.29	4788	135	GK169R99 GKA169R99	2.2		0.15	9363	171	GK189R99 GKA189R99	1.5
	0.34	4079	135	GK169R99 GKA169R99	3		0.17	8126	171	GK189R99 GKA189R99	2.2
	0.42	3376	135	GK169R99 GKA169R99	4		0.19	7343	171	GK189R99 GKA189R99	3
	0.52	2755	135	GK169R99 GKA169R99	5.5		0.21	6747	171	GK189R99 GKA189R99	4
	0.63	2264	135	GK169R99 GKA169R99	7.5		0.23	5991	171	GK189R99 GKA189R99	5.5
	0.66	2182	135	GK169R99 GKA169R99	11		0.27	5358	171	GK189R99 GKA189R99	7.5
	0.85	1704	135	GK169R99 GKA169R99	15		0.30	4817	171	GK189R99 GKA189R99	11
	1.02	1408	135	GK169R99 GKA169R99	18.5		0.33	4370	171	GK189R99 GKA189R99	15
	1.11	1296	135	GK169R99 GKA169R99	22		0.40	3609	171	GK189R99 GKA189R99	18.5
	1.31	1101	135	GK169R99 GKA169R99	30		0.47	3062	171	GK189R99 GKA189R99	30
	1.53	944	135	GK169R99 GKA169R99	37		0.57	2519	171	GK189R99 GKA189R99	37
	1.71	844	135	GK169R99 GKA169R99	45		0.63	2268	171	GK189R99 GKA189R99	45
	1.90	757	135	GK169R99 GKA169R99			0.70	2054	171	GK189R99 GKA189R99	
	2.28	632	135	GK169R99 GKA169R99			0.79	1821	171	GK189R99 GKA189R99	
	2.6	561	135	GK169R99 GKA169R99			0.90	1605	171	GK189R99 GKA189R99	
	3.0	481	135	GK169R99 GKA169R99			1.03	1395	171	GK189R99 GKA189R99	
	3.5	423	135	GK169R99 GKA169R99			1.20	1196	171	GK189R99 GKA189R99	
	4.0	369	135	GK169R99 GKA169R99			1.38	1046	171	GK189R99 GKA189R99	
	4.6	317	135	GK169R109 GKA169R109			1.52	945	171	GK189R99 GKA189R99	
	5.3	277	135	GK169R109 GKA169R109			2.0	738	171	GK189R99 GKA189R99	
	6.0	244	135	GK169R109 GKA169R109			2.4	621	171	GK189R99 GKA189R99	
	6.9	213	135	GK169R109 GKA169R109			2.8	527	171	GK189R99 GKA189R99	
	7.2	205	135	GK169R109 GKA169R109			2.8	527	171	GK189R109 GKA189R109	
8.2	180	135	GK169R109 GKA169R109		1.7	835	171	GK189R109 GKA189R109			
9.3	159	135	GK169R109 GKA169R109		2.0	729	171	GK189R109 GKA189R109			
11.0	135	135	GK169R109 GKA169R109		2.3	622	171	GK189R109 GKA189R109			
12.5	118	135	GK169R109 GKA169R109		2.8	520	171	GK189R109 GKA189R109			
					3.2	454	171	GK189R109 GKA189R109			
					4.1	355	171	GK189R109 GKA189R109			
					5.7	261	171	GK189R109 GKA189R109			
					6.7	221	171	GK189R109 GKA189R109			
					7.7	193	171	GK189R109 GKA189R109			
					9.1	163	171	GK189R109 GKA189R109			

GK39-159
安装结构尺寸

GK39-159
Mounting Dimensional Description



机型号 Type Size	a b	a ₂ h	b ₁ q	q ₁ h ₁	s a ₃	d l	l ₁ l ₂	u t	w A	e p ₃	c n ₀	f ₀ f	n M	G	电机尺寸 Motor Size			
															AC	AD	L1	
GK39	100	28	115	139	Φ11	Φ25k6	5	8	110	120	16	150	38	Φ120	见附录 A-2 和 A-3 Please see appendix A-2 and A-3			
	110	100 ^{-0.5}	63 ^{-0.5}	8.5	32	50	40	28	60	165	37	143	M10					
GK49	120	35	130	166	Φ11	Φ30k6	3.5	8	135	145	18	170	32	Φ160				
	130	112 ^{-0.5}	71 ^{-0.5}	7.2	37	60	50	33	75	185	37	162	M10					
GK59	130	30	150	173	Φ13.5	Φ35k6	7	10	153	157	21	190	43	Φ160				
	130	132 ^{-0.5}	80 ^{-0.5}	13.1	45	70	56	38	88	217	43	172	M12					
GK69	140	30	160	179	Φ13.5	Φ40k6	5	12	171	170	24	203	45	Φ160				
	120	140 ^{-0.5}	90 ^{-0.5}	20	45	80	70	43	101	228	43	170	M16					
GK79	165	40	200	202	Φ17.5	Φ50k6	10	14	206	200	27	263	55	Φ200				
	150	180 ^{-0.5}	112 ^{-0.5}	31.3	55	100	80	53.5	123.5	288	55	212.5	M16					
GK89	180	55	233	257	Φ22	Φ60m6	5	18	240	230	32	305	75	Φ250				
	180	212 ^{-0.5}	132 ^{-0.5}	25.9	70	120	110	64	150	340	67	260	M20					
GK99	240	75	295	277	Φ26	Φ70m6	7.5	20	291	290	36	372	60	Φ300				
	240	265 ⁻¹	160 ^{-0.5}	32.3	75	140	125	74.5	171	417	82	294	M20					
GK109	270	95	360	341	Φ33	Φ90m6	5	25	347	340	40	448	100	Φ350				
	280	315 ⁻¹	200 ^{-0.5}	52	95	170	160	95	212	503	90	380	M24					
GK129	330	115	420	390	Φ39	Φ110m6	15	28	418	400	45	526	100	Φ450				
	350	375 ⁻¹	225 ^{-0.5}	53	110	210	180	116	253	592	111	440	M24					
GK159	420	140	500	426	Φ39	Φ120m6	5	32	457	500	50	634	100	Φ550				
	380	450 ⁻¹	280 ⁻¹	71.7	130	210	200	127	247	705	125	480	M24					

注： 1.减速机部分的外形尺寸，未包含通气帽的高度尺寸。通气帽的高度尺寸为 17。

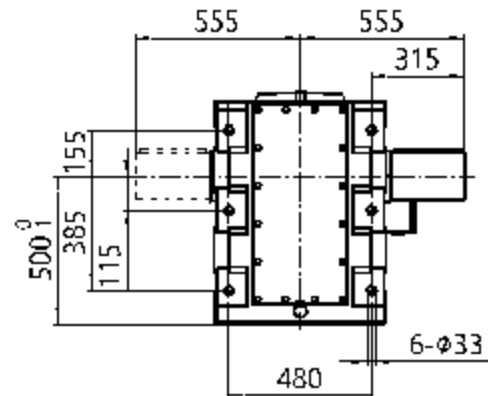
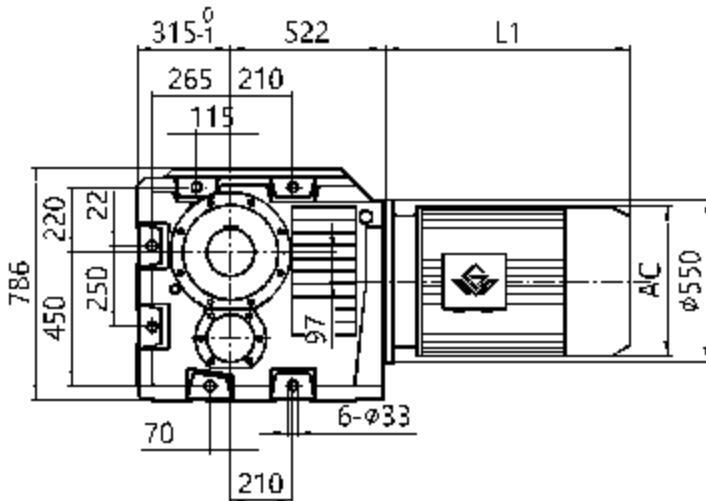
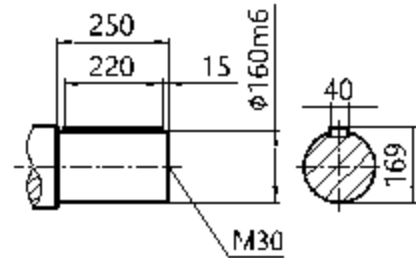
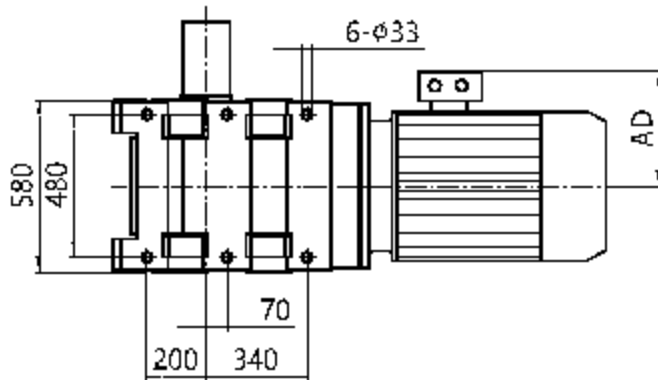
2.电机需方配或配特殊电机时需加联接法兰（见附录 D）

Note: 1.The dimensions don't include the height of the breathe valve.the height of the breathe valve is 17.

2.When equipping the user's motor or the special one, the flange is required to connected. (Please see appendix D)

GK169
安装结构尺寸

GK169
Mounting Dimensional Description

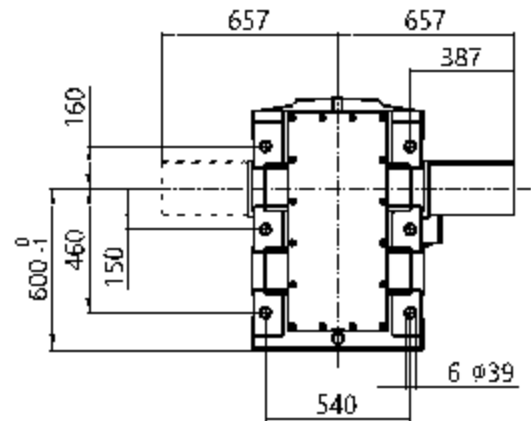
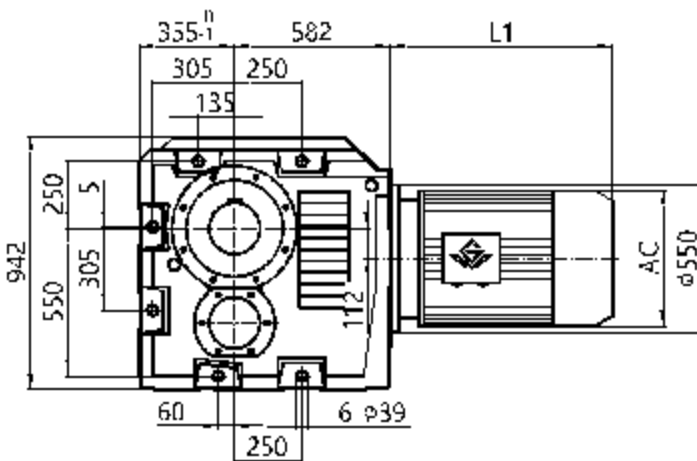
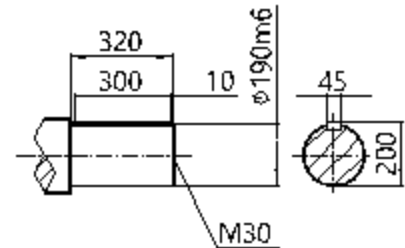
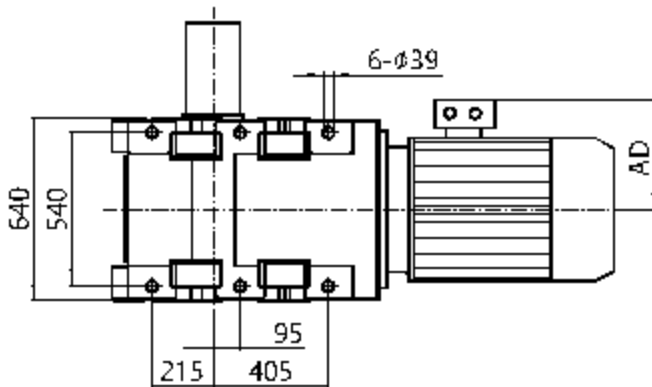


注： 1.电机需方配或配特殊电机时需加联接法兰（见附录 D）
2.直联电机尺寸见附录 A-2 和 A-3

Note: 1. When equipping the user's motor or the special one, the flange is required to be connected. (Please see appendix D)
2. See Appendix A-2 and A-3 for dimensions of direct-connected motors

GK189
安装结构尺寸

GK189
Mounting Dimensional Description

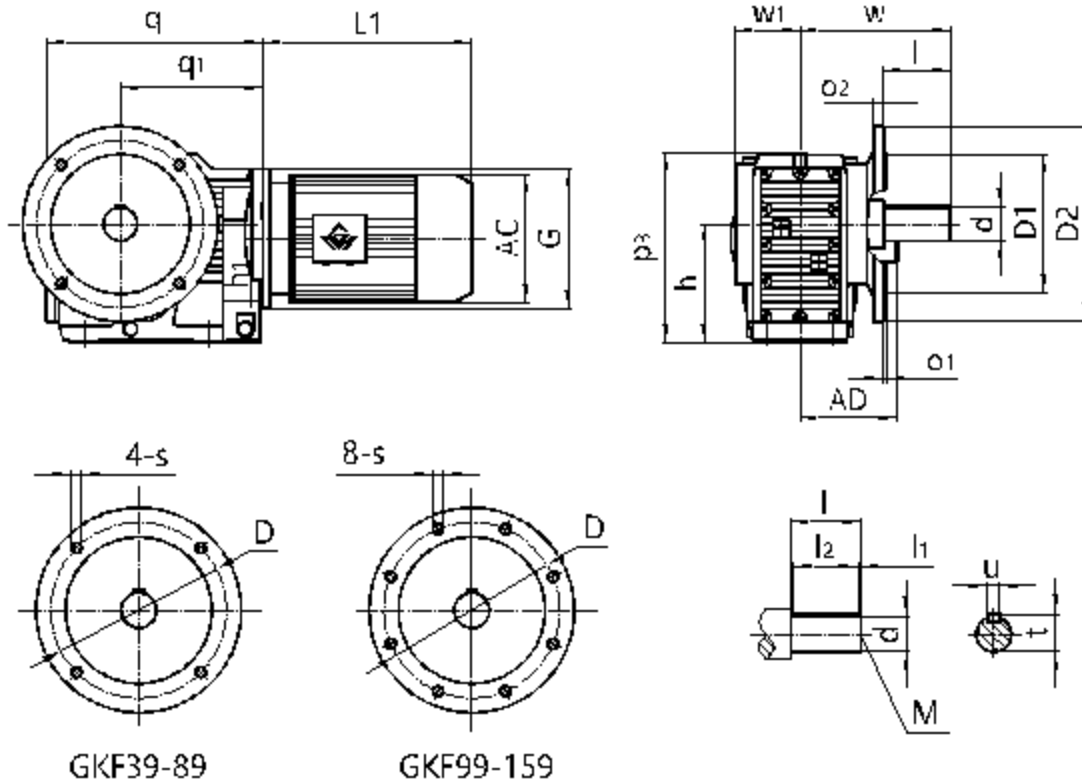


注： 1.电机需方配或配特殊电机时需加联接法兰（见附录 D）
2.直联电机尺寸见附录 A-2 和 A-3

Note: 1. When equipping the user's motor or the special one, the flange is required to be connected. (Please see appendix D)
2. See Appendix A-2 and A-3 for dimensions of direct-connected motors

GKF39-159
安装结构尺寸

GKF39-159
Mounting Dimensional Description



GKF39-89

GKF99-159

机型号 Type Size	s o ₂	q w	q ₁ w ₁	h ₁ l	D l ₁	D ₁ l ₂	D ₂ d	h M	p ₃ u	o ₁ t	G	电机尺寸 Motor Size			
												AC	AD	L1	
GKF39	Φ9 10	210 134	139 57.5	8.5 50	Φ130 5	Φ110j6 40	Φ160 Φ25k6	100-0.5 M10	164 8	3.5 28	Φ120	见附录 A-2 和 A-3 Please see appendix A-2 and A-3			
GKF49	Φ11 12	243 160	166 72	7.2 60	Φ165 3.5	Φ130j6 50	Φ200 Φ30k6	112-0.5 M10	185 8	3.5 33	Φ160				
GKF59	Φ13.5 15	270 176.5	173 80	13.1 70	Φ215 7	Φ180j6 56	Φ250 Φ35k6	132-0.5 M12	215 10	4 38	Φ160				
GKF69	Φ13.5 15	275 193	179 86.5	20 80	Φ215 5	Φ180j6 70	Φ250 Φ40k6	140-0.5 M16	226 12	4 43	Φ160				
GKF79	Φ13.5 16	313 242	202 101	31.3 100	Φ265 10	Φ230j6 80	Φ300 Φ50k6	180-0.5 M16	288 14	4 53.5	Φ200				
GKF89	Φ17.5 18	391 270	257 146	25.9 120	Φ300 5	Φ250h6 110	Φ350 Φ60m6	212-0.5 M20	338 18	5 64	Φ250				
GKF99	Φ17.5 22	435 332	277 176	32.3 140	Φ400 7.5	Φ350h6 125	Φ450 Φ70m6	265-1 M20	417 20	5 74.5	Φ300				
GKF109	Φ17.5 22	537 386	341 181	52 170	Φ400 5	Φ350h6 160	Φ450 Φ90m6	315-1 M24	500 25	5 95	Φ350				
GKF129	Φ17.5 25	615 466	390 203	53 210	Φ500 15	Φ450h6 180	Φ550 Φ110m6	375-1 M24	592 28	5 116	Φ450				
GKF159	Φ22 28	706 520	426 254	71.7 210	Φ600 5	Φ550h6 200	Φ660 Φ120m6	450-1 M24	705 32	6 127	Φ550				

注： 1.减速机部分的外形尺寸，未包含通气帽的高度尺寸。通气帽的高度尺寸为 17。

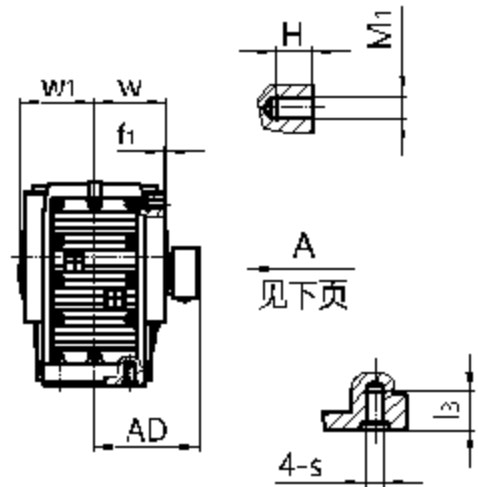
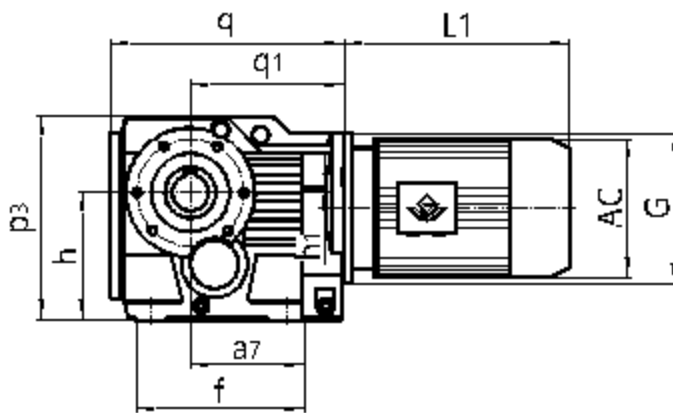
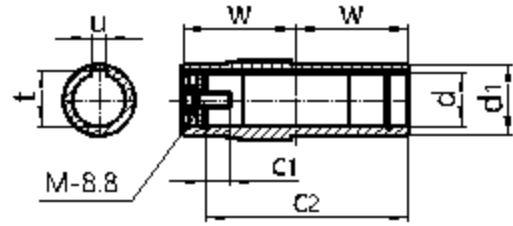
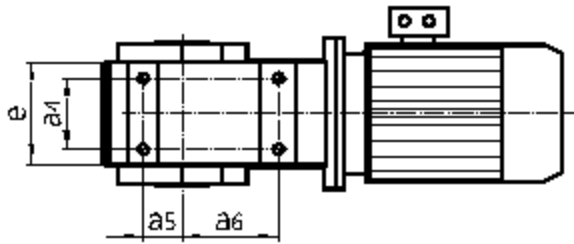
2.电机需方配或配特殊电机时需加联接法兰（见附录 D）

Note: 1.The dimensions don't include the height of the breathe valve.the height of the breathe valve is 17.

2.When equipping the user's motor or the special one, the flange is required to connected. (Please see appendix D)

GKA39-109
安装结构尺寸

GKA39-109
Mounting Dimensional Description



机型号 Type Size	s q	l ₃ q ₁	e w	a ₄ d	a ₅ d ₁	a ₆ t	a ₇ u	f f ₁	h H	h ₁ M ₁	p ₃ c ₁	c ₂ M	G w ₁	电机尺寸 Motor Size															
														AC	AD	L1													
GKA39	M10	20	100	60	35	82	97	147	100 ^{-0.5}	8.5	164	105	Φ120	见附录 A-2 和 A-3 Please see appendix A-2 and A-3															
	210	139	60	Φ30H7	Φ45	33.3	8	2.5	15	M8	17	M10×25	63																
GKA49	M10	20	110	70	40	100	115	170	112 ^{-0.5}	7.2	185	132	Φ160																
	243	166	75	Φ35H7	Φ50	38.3	10	3	14	M8	22	M12×30	78																
GKA59	M12	25	122	88	47	105	120	182	132 ^{-0.5}	13.1	215	142	Φ160																
	270	173	83	Φ40H7	Φ55	43.3	12	3	20	M12	29	M16×40	86																
GKA69	M12	25	130	88	42	110	125	182	140 ^{-0.5}	20	226	156	Φ160																
	275	179	90	Φ40H7	Φ55	43.3	12	3.5	21	M12	29	M16×40	94																
GKA79	M16	32	156	102	48	122	139	204	180 ^{-0.5}	31.3	288	183	Φ200																
	313	202	105	Φ50H7	Φ70	53.8	14	4	23	M12	32	M16×45	108																
GKA89	M16	32	170	118	65	160	190	280	212 ^{-0.5}	25.9	338	210	Φ250																
	391	257	120	Φ60H7	Φ85	64.4	18	4	30	M16	36	M20×50	123																
GKA99	M20	36	226	160	83	165	190	298	265 ⁻¹	32.3	417	270	Φ300																
	435	277	150	Φ70H7	Φ95	74.9	20	4	28	M16	34	M20×50	153																
GKA109	M24	44	268	190	100	190	230	370	315 ⁻¹	52	500	313	Φ350																
	537	341	175	Φ90H7	Φ118	95.4	25	3	/	/	40	M24×60	178																

注： 1.减速机部分的外形尺寸，未包含通气帽的高度尺寸。通气帽的高度尺寸为 17。

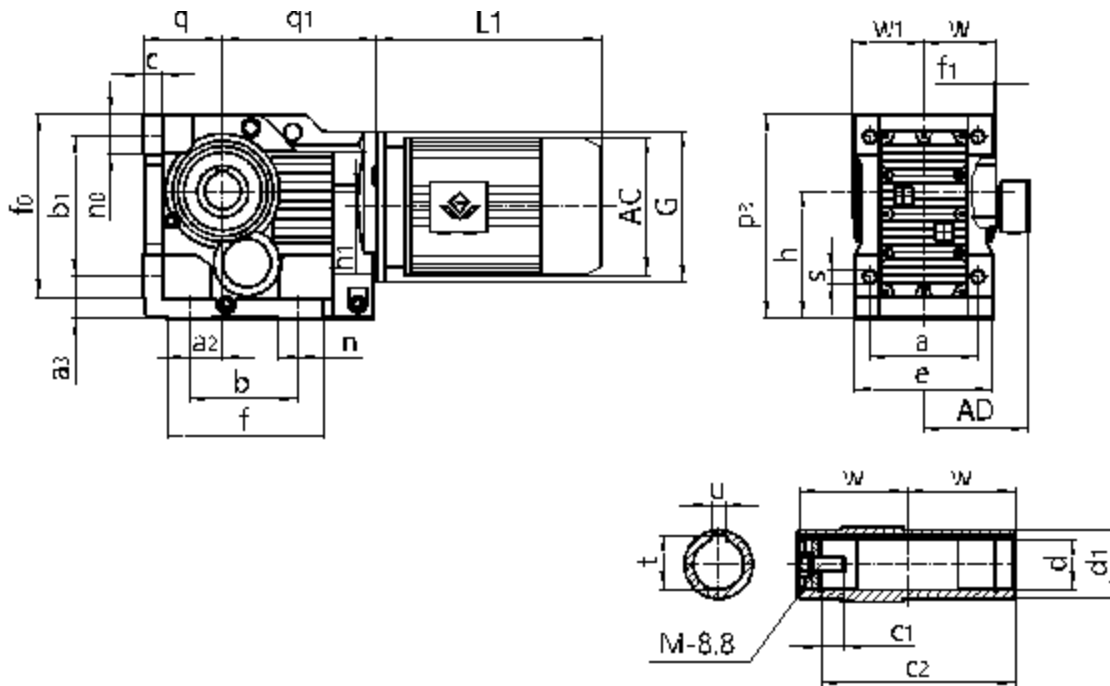
2.电机需方配或配特殊电机时需加联接法兰（见附录 D）

Note: 1.The dimensions don't include the height of the breathe valve.the height of the breathe valve is 17.

2.When equipping the user's motor or the special one, the flange is required to connected. (Please see appendix D)

GKA129-159
安装结构尺寸

GKA129-159
Mounting Dimensional Description



机型号 Type Size	s b	p3 a2	h n	a f0	e a3	f1 b1	w n0	d h1	d1 c	t q	u q1	f c1	c2 M	G w1	电机尺寸 Motor Size			
															AC	AD	L1	
GKA129	Φ39	592	375.1	330	400	2.5	205	Φ100H7	Φ135	106.4	28	440	373	Φ450	见附录 A-2 和 A-3 Please see appendix A-2 and A-3			
	350	115	100	526	110	420	111	53	45	225-0.5	390	38	M24×60	208				
GKA159	Φ39	705	450.1	420	500	3	250	Φ120H7	Φ155	127.4	32	480	460	Φ550				
	380	140	100	634	130	500	125	71.7	54	280.1	426	36	M24×60	253				

注： 1.减速机部分的外形尺寸，未包含通气帽的高度尺寸。通气帽的高度尺寸为 17。

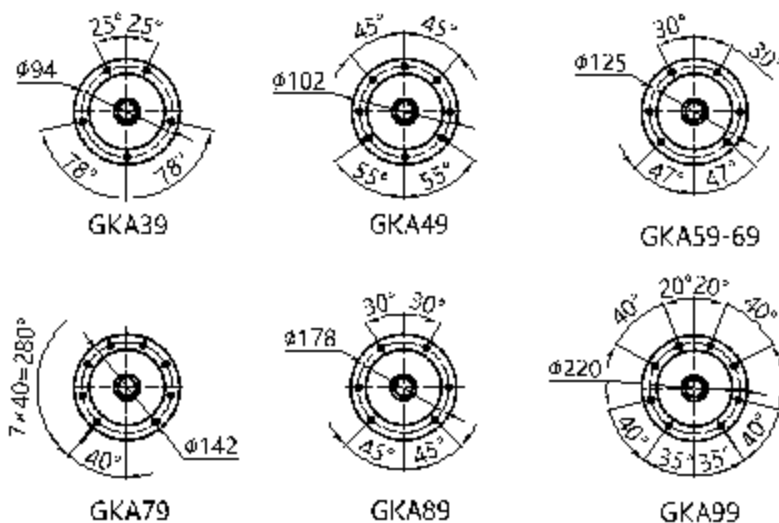
2.电机需方配或配特殊电机时需加联接法兰（见附录 D）

Note: 1.The dimensions don't include the height of the breathe valve.the height of the breathe valve is 17.

2.When equipping the user's motor or the special one, the flange is required to be connected. (Please see appendix D)

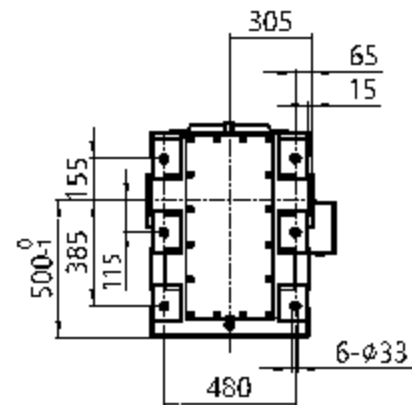
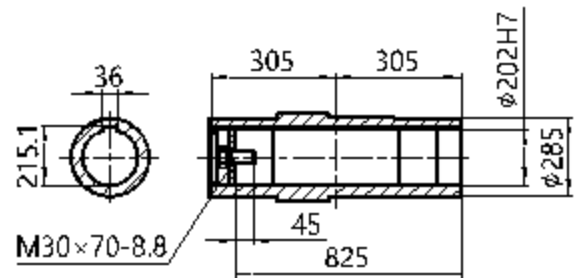
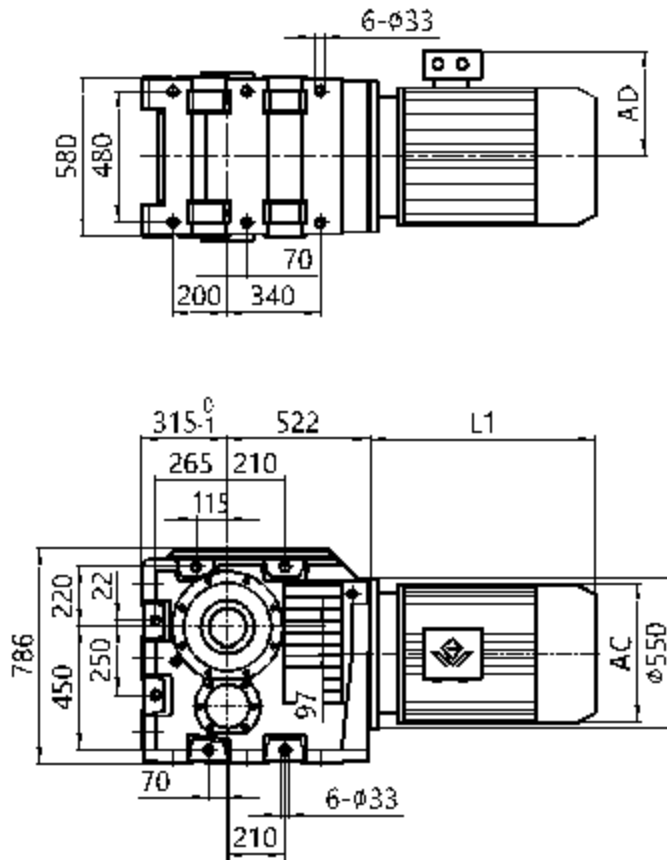
A 向法兰安装结构尺寸

Fig.A Mounting Dimension



GKA169
安装结构尺寸

GKA169
Mounting Dimensional Description

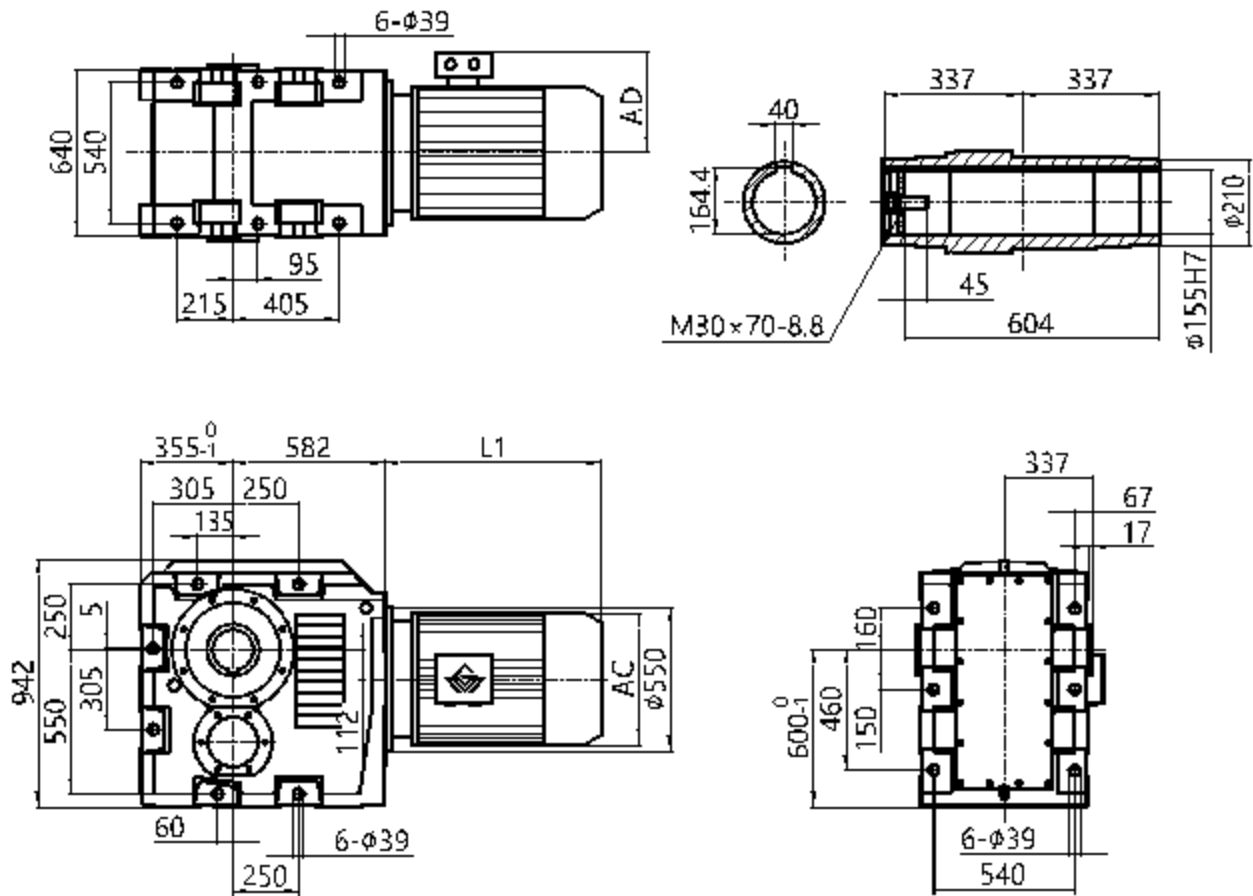


注： 1.电机需方配或配特殊电机时需加联接法兰（见附录 D）
2.直联电机尺寸见附录 A-2 和 A-3

Note: 1. When equipping the user's motor or the special one, the flange is required to connected. (Please see appendix D)
2. See Appendix A-2 and A-3 for dimensions of direct-connected motors

GKA189
安装结构尺寸

GKA189
Mounting Dimensional Description

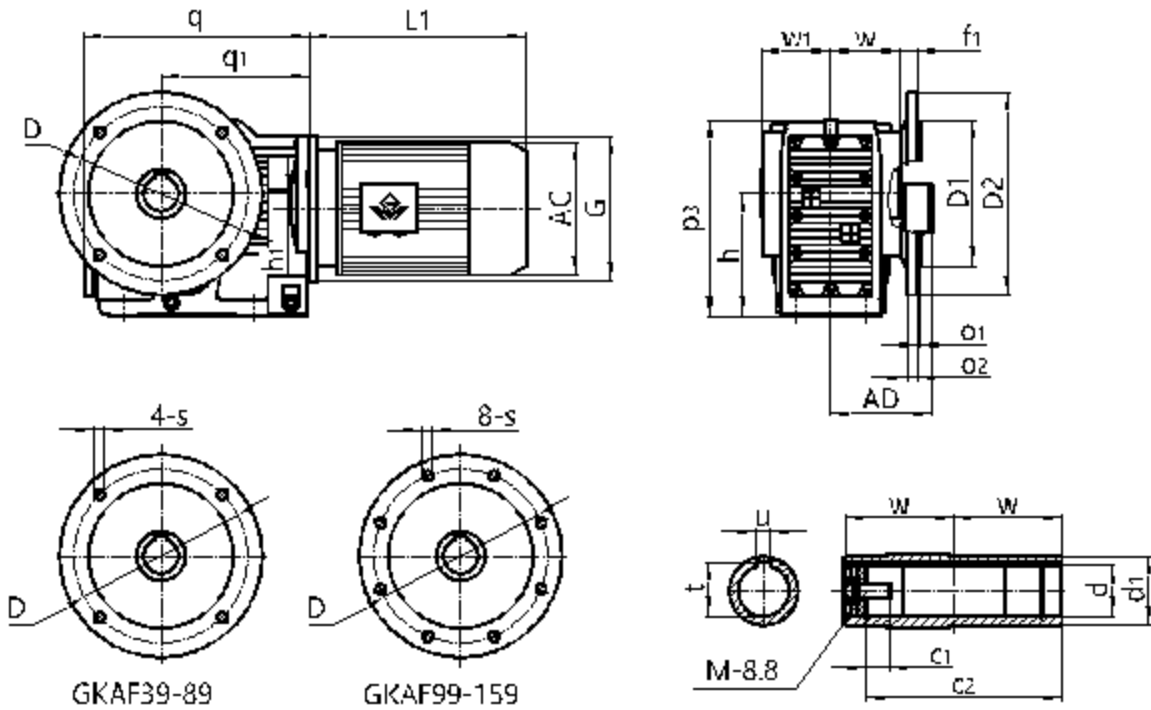


注： 1.电机需方配或配特殊电机时需加联接法兰（见附录 D）
2.直联电机尺寸见附录 A-2 和 A-3

Note: 1. When equipping the user's motor or the special one, the flange is required to connected. (Please see appendix D)
2. See Appendix A-2 and A-3 for dimensions of direct-connected motors

GKAF39-159
安装结构尺寸

GKAF39-159
Mounting Dimensional Description



机型号 Type Size	s o ₁	q o ₂	q ₁ w	h ₁ f ₁	D d	D1 d ₁	D2 u	h t	p ₃ c ₁	c ₂ M	G w ₁	电机尺寸 Motor Size		
												AC	AD	L1
GKAF39	Φ9 3.5	210 10	139 60	8.5 24	Φ130 Φ30H7	Φ110j6 Φ45	Φ160 8	100 ^{-0.5} 33.3	164 17	105 M10×25	Φ120 63	见附录 A-2 和 A-3 Please see appendix A-2 and A-3		
GKAF49	Φ11 3.5	243 12	166 75	7.2 25	Φ165 Φ35H7	Φ130j6 Φ50	Φ200 10	112 ^{-0.5} 38.3	185 22	132 M12×30	Φ160 78			
GKAF59	Φ13.5 4	270 15	173 83	13.1 23.5	Φ215 Φ40H7	Φ180j6 Φ55	Φ250 12	132 ^{-0.5} 43.3	215 29	142 M16×40	Φ160 86			
GKAF69	Φ13.5 4	275 15	179 90	20 23	Φ215 Φ40H7	Φ180j6 Φ55	Φ250 12	140 ^{-0.5} 43.3	226 29	156 M16×40	Φ160 94			
GKAF79	Φ13.5 4	313 16	202 105	31.3 37	Φ265 Φ50H7	Φ230j6 Φ70	Φ300 14	180 ^{-0.5} 53.8	288 32	183 M16×45	Φ200 108			
GKAF89	Φ17.5 5	391 18	257 120	25.9 30	Φ300 Φ60H7	Φ250h6 Φ85	Φ350 18	212 ^{-0.5} 64.4	338 36	210 M20×50	Φ250 123			
GKAF99	Φ17.5 5	435 22	277 150	32.3 41.5	Φ400 Φ70H7	Φ350h6 Φ95	Φ450 20	265 ⁻¹ 74.9	417 34	270 M20×50	Φ300 153			
GKAF109	Φ17.5 5	537 22	341 175	52 41	Φ400 Φ90H7	Φ350h6 Φ118	Φ450 25	315 ⁻¹ 95.4	500 40	313 M24×60	Φ350 178			
GKAF129	Φ17.5 5	615 25	390 205	53 51	Φ500 Φ100H7	Φ450h6 Φ135	Φ550 28	375 ⁻¹ 106.4	592 38	373 M24×60	Φ450 208			
GKAF159	Φ22 6	706 28	426 250	71.7 60	Φ600 Φ120H7	Φ550h6 Φ155	Φ660 32	450 ⁻¹ 127.4	705 36	460 M24×60	Φ550 253			

注： 1.减速机部分的外形尺寸，未包含通气帽的高度尺寸。通气帽的高度尺寸为 17。

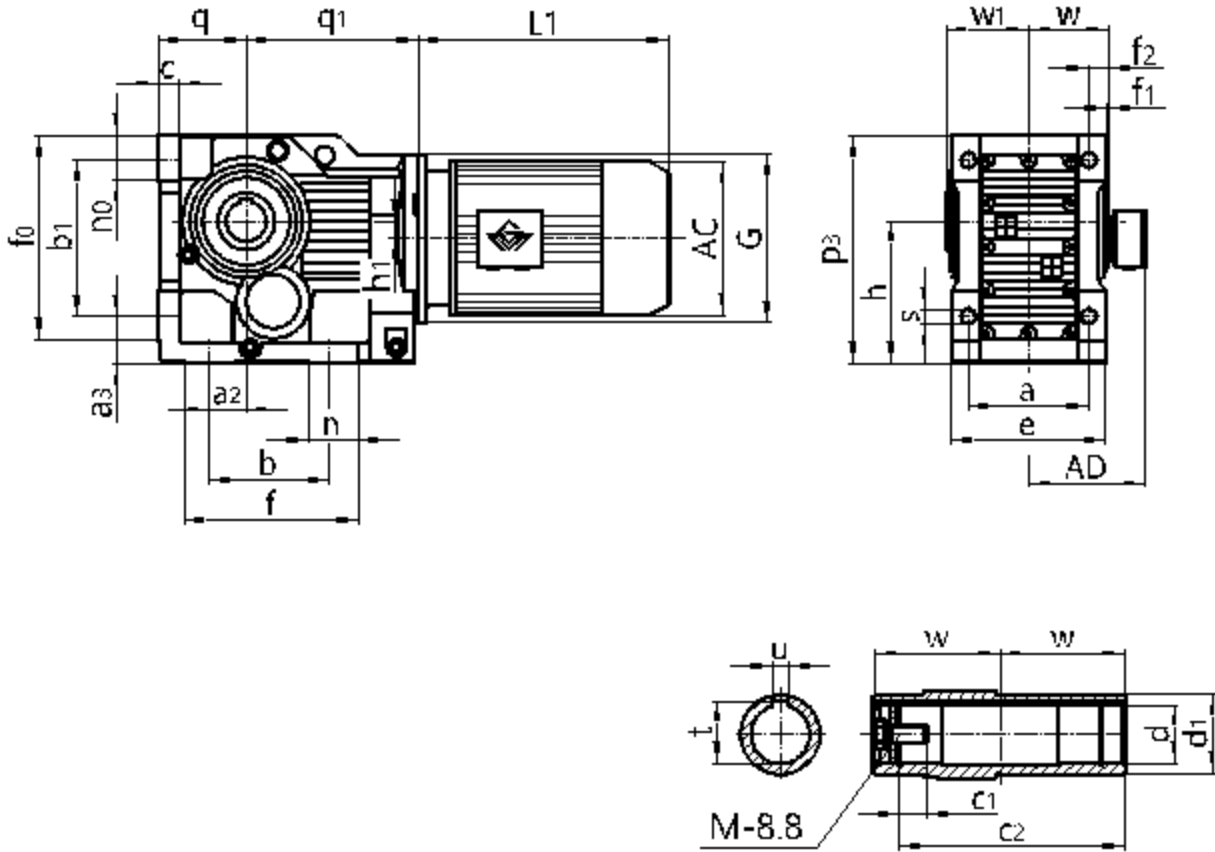
2.电机需方配或配特殊电机时需加联接法兰（见附录 D）

Note: 1.The dimensions don't include the height of the breathe valve.the height of the breathe valve is 17.

2.When equipping the user's motor or the special one, the flange is required to connected. (Please see appendix D)

GKAB49-109
安装结构尺寸

GKAB49-109
Mounting Dimensional Description



机型号 Type Size	s b	p ₃ a ₂	h n	a f ₀	e a ₃	f ₁ b ₁	w n ₀	d h ₁	d ₁ c	t q	u q ₁	f f ₂	c ₁ c ₂	w ₁ M	G	电机尺寸 Motor Size			
																AC	AD	L1	
GKAB49	Φ11 130	185 35	112 _{-0.5} 32	120 170	145 37	3 130	75 37	Φ35H7 7.2	Φ50 18	38.3 71 _{-0.5}	10 166	162 15	22 132	78 M12×30	Φ160	见附录 A-2 和 A-3 Please see appendix A-2 and A-3			
GKAB59	Φ13.5 130	217 30	132 _{-0.5} 43	130 190	157 45	3 150	83 43	Φ40H7 13.1	Φ55 21	43.3 80 _{-0.5}	12 173	172 18	29 142	86 M16×40	Φ160				
GKAB69	Φ13.5 120	228 30	140 _{-0.5} 45	140 203	170 45	3.5 160	90 43	Φ40H7 20	Φ55 24	43.3 90 _{-0.5}	12 179	170 20	29 156	94 M16×40	Φ160				
GKAB79	Φ17.5 150	288 40	180 _{-0.5} 55	165 263	200 55	4 200	105 55	Φ50H7 31.3	Φ70 27	53.8 112 _{-0.5}	14 202	212.5 22.5	32 183	108 M16×45	Φ200				
GKAB89	Φ22 180	340 55	212 _{-0.5} 75	180 305	230 70	4 233	120 67	Φ60H7 25.9	Φ85 32	64.4 132 _{-0.5}	18 257	260 30	36 210	123 M20×50	Φ250				
GKAB99	Φ26 240	417 75	265 ₋₁ 60	240 372	290 75	4 295	150 82	Φ70H7 32.3	Φ95 36	74.9 160 _{-0.5}	20 277	294 30	34 270	153 M20×50	Φ300				
GKAB109	Φ33 280	503 95	315 ₋₁ 100	270 448	340 95	3 360	175 90	Φ90H7 52	Φ118 40	95.4 200 _{-0.5}	25 341	380 40	40 313	178 M24×60	Φ350				

注： 1.减速机部分的外形尺寸，未包含通气帽的高度尺寸。通气帽的高度尺寸为 17。

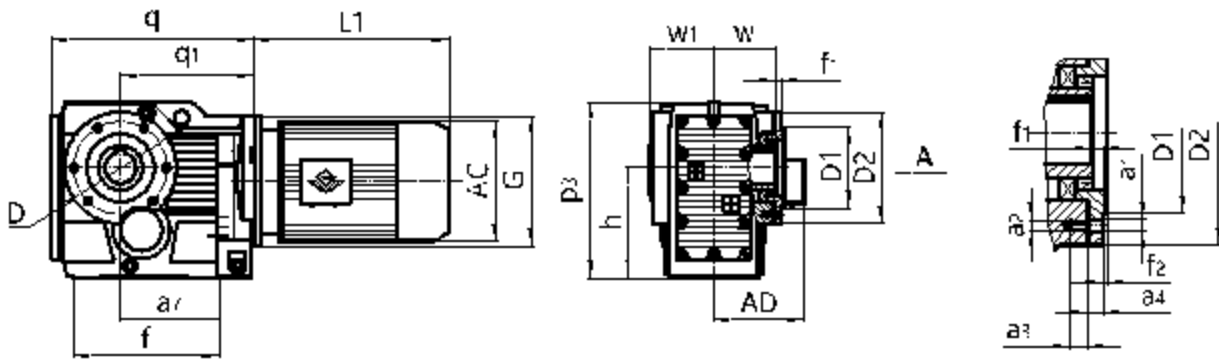
2.电机需方配或配特殊电机时需加联接法兰（见附录 D）

Note: 1.The dimensions don't include the height of the breathe valve.the height of the breathe valve is 17.

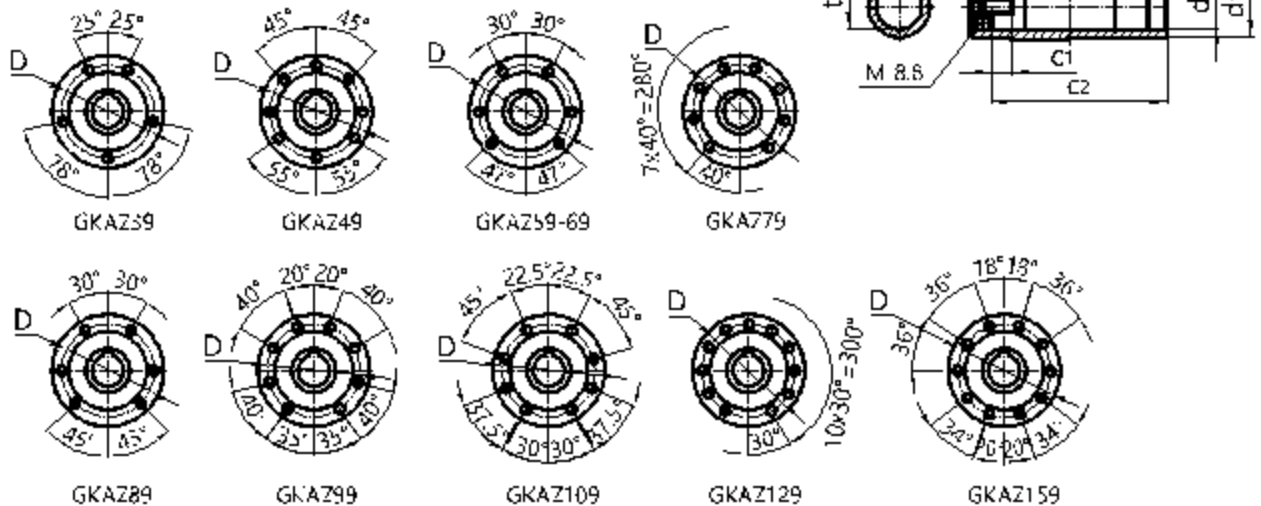
2.When equipping the user's motor or the special one, the flange is required to connected. (Please see appendix D)

GKAZ39-159
安装结构尺寸

GKAZ39-159
Mounting Dimensional Description



A向法兰安装结构尺寸 (Fig.A Mounting Dimension)



机型号 Type Size	q q1	D1 D2	h h1	p3 a7	f f1	w w1	d d1	c2 c1	t u	a3 a4	f2 a2	a1 D	G M	电机尺寸 Motor Size		
														AC	AD	L1
GKAZ39	210	Φ80j6	100 ^{-0.5}	164	147	60	Φ30H7	105	33.3	12	3	Φ9	Φ120	见附录 A-2 和 A-3 Please see appendix A-2 and A-3		
	139	Φ110	8.5	97	9	63	Φ45	17	8	11.5	M8	Φ94	M10×25			
GKAZ49	243	Φ80j6	112 ^{-0.5}	185	170	75	Φ35H7	132	38.3	12	3	Φ9	Φ160			
	166	Φ120	7.2	115	8	78	Φ50	22	10	11	M8	Φ102	M12×30			
GKAZ59	270	Φ105j6	132 ^{-0.5}	215	182	83	Φ40H7	142	43.3	20	3.5	Φ13.5	Φ160			
	173	Φ155	13.1	120	9	86	Φ55	29	12	12	M12	Φ125	M16×40			
GKAZ69	275	Φ105j6	140 ^{-0.5}	226	182	90	Φ40H7	156	43.3	21	3.5	Φ13.5	Φ160			
	179	Φ155	20	125	8.5	94	Φ55	29	12	12	M12	Φ125	M16×40			
GKAZ79	313	Φ125j6	180 ^{-0.5}	288	204	105	Φ50H7	183	53.8	23	3.5	Φ13.5	Φ200			
	202	Φ170	31.3	139	10	108	Φ70	32	14	14	M12	Φ142	M16×45			
GKAZ89	391	Φ155j6	212 ^{-0.5}	338	280	120	Φ60H7	210	64.4	30	4	Φ17.5	Φ250			
	257	Φ215	25.9	190	11	123	Φ85	36	18	15	M16	Φ178	M20×50			
GKAZ99	435	Φ180j6	265 ⁻¹	417	298	150	Φ70H7	270	74.9	28	4	Φ17.5	Φ300			
	277	Φ260	32.3	190	14	153	Φ95	34	20	18	M16	Φ220	M20×50			
GKAZ109	537	Φ210j6	315 ⁻¹	500	370	175	Φ90H7	313	95.4	32	4	Φ22	Φ350			
	341	Φ304	52	230	-8	178	Φ118	40	25	22	M20	Φ260	M24×60			
GKAZ129	615	Φ250h6	375 ⁻¹	592	440	205	Φ100H7	373	106.4	36	5	Φ22	Φ450			
	390	Φ350	53	275	0	208	Φ135	38	28	30	M20	Φ300	M24×60			
GKAZ159	706	Φ290h6	450 ⁻¹	705	480	250	Φ120H7	460	127.4	42	5	Φ26	Φ550			
	426	Φ400	71.7	290	-14	253	Φ155	36	32	28	M24	Φ340	M24×60			

注： 1.减速机部分的外形尺寸，未包含通气帽的高度尺寸。通气帽的高度尺寸为 17。

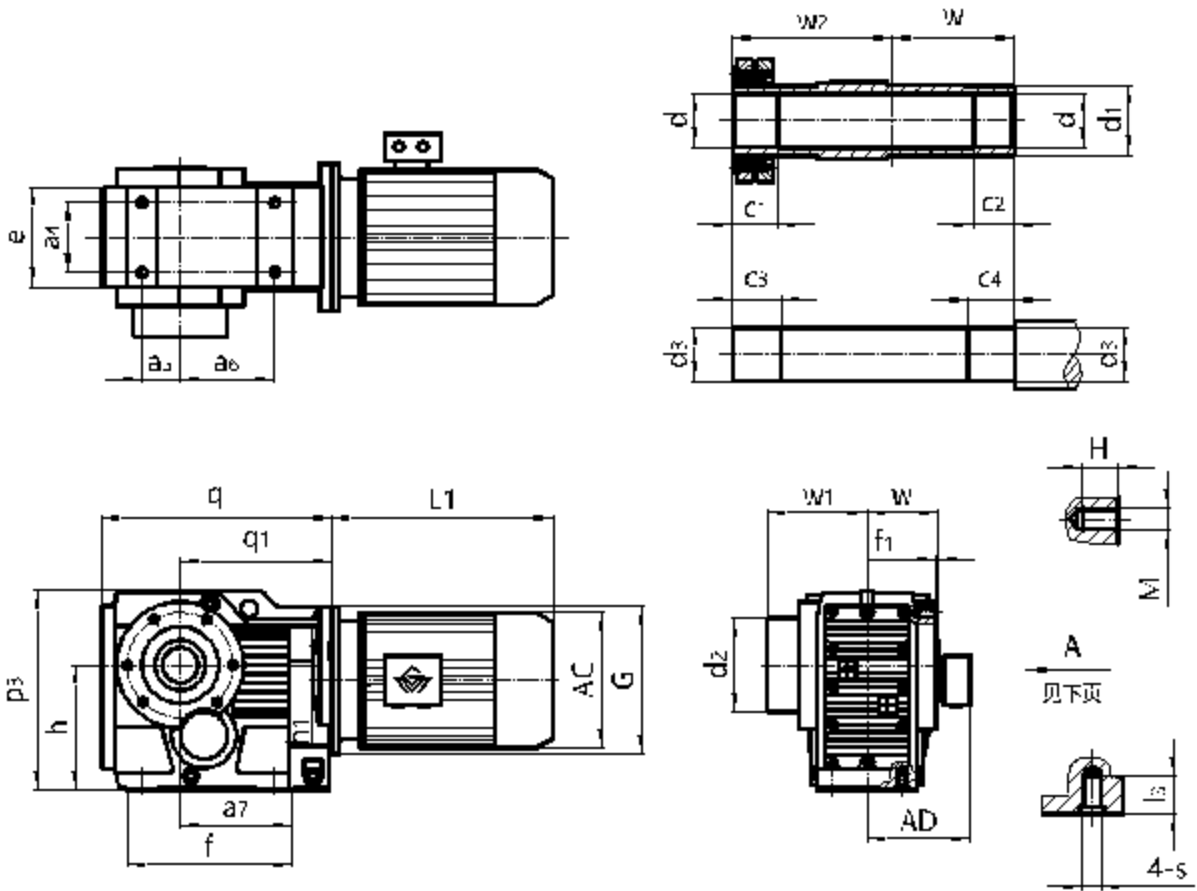
2.电机需方配或配特殊电机时需加联接法兰（见附录 D）

Note: 1.the dimensions don't include the height of the breathe valve.the height of the breathe valve is 17.

2.When equipping the user's motor or the special one, the flange is required to connected. (Please see appendix D)

GKH39-109
安装结构尺寸

GKH39-109
Mounting Dimensional Description



机型号 Type Size	q q ₁	h h ₁	e p ₃	a ₄ a ₅	a ₆ a ₇	f f ₁	d ₂ d ₁	d d ₃	w w ₁	w ₂ G	c ₁ c ₂	c ₃ c ₄	s l ₃	M H	电机尺寸 Motor Size			
															AC	AD	L1	
GKH39	210	100 ^{-0.5}	100	60	82	147	Φ80	Φ30H7	60	86	31	36	M10	M8	见附录 A-2 和 A-3 Please see appendix A-2 and A-3			
	139	8.5	164	35	97	2.5	Φ45	Φ30h6	95	Φ120	20	25	20	12				
GKH49	243	112 ^{-0.5}	110	70	100	170	Φ88	Φ35H7	75	102	32	37	M10	M8				
	166	7.2	185	40	115	3	Φ50	Φ35h6	110	Φ160	20	25	20	12				
GKH59	269	132 ^{-0.5}	122	88	105	182	Φ102	Φ40H7	83	112	26	31	M12	M12				
	173	13.1	215	47	120	3	Φ55	Φ40h6	120	Φ160	20	25	25	20				
GKH69	274	140 ^{-0.5}	130	88	110	182	Φ102	Φ40H7	90	118	38	43	M12	M12				
	179	20	226	42	125	3.5	Φ55	Φ40h6	126	Φ160	20	25	25	20				
GKH79	312	180 ^{-0.5}	154	102	122	204	Φ127	Φ50H7	105	136	36	41	M16	M12				
	202	31.3	288	48	139	4	Φ70	Φ50h6	146	Φ200	30	35	32	20				
GKH89	390	212 ^{-0.5}	170	118	160	280	Φ159	Φ65H7	120	161	41	46	M16	M16				
	257	25.9	338	65	190	4	Φ85	Φ65h6	170	Φ250	40	45	32	26				
GKH99	435	265 ⁻¹	226	160	165	298	Φ174	Φ75H7	150	195	55	60	M20	M16				
	277	32.3	417	83	190	4	Φ95	Φ75h6	206	Φ300	50	55	36	26				
GKH109	537	315 ⁻¹	266	190	190	370	Φ234	Φ95H7	175	230	65	75	M24	/				
	341	52	500	100	230	2.5	Φ118	Φ95h6	245	Φ350	60	70	44	/				

注： 1.减速机部分的外形尺寸，未包含通气帽的高度尺寸。通气帽的高度尺寸为 17。

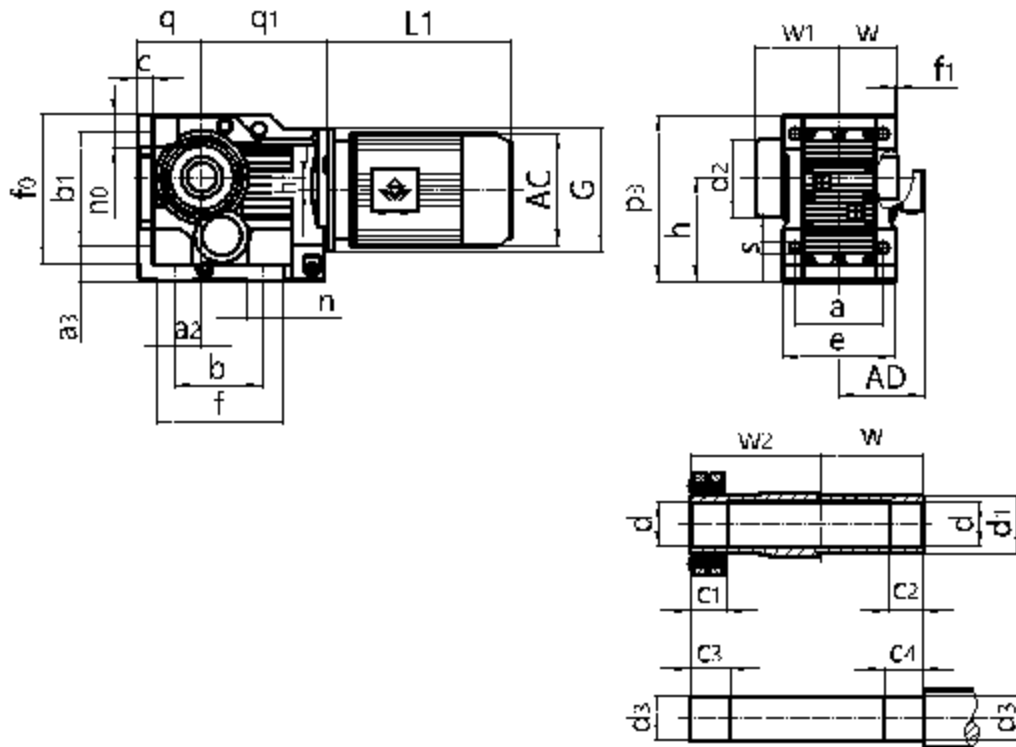
2.电机需方配或配特殊电机时需加联接法兰（见附录 D）

Note: 1.The dimensions don't include the height of the breathe valve.the height of the breathe valve is 17.

2.When equipping the user's motor or the special one, the flange is required to connected. (Please see appendix D)

GKH129-159
安装结构尺寸

GKH129-159
Mounting Dimensional Description



机型号 Type Size	q ₁	c	n ₀	f ₀	f	a ₂	h	a	w	w ₂	c ₁	c ₃	d ₂	d	h ₁	电机尺寸 Motor Size		
	q	s	b ₁	a ₃	n	b	p ₃	e	w ₁	f ₁	c ₂	c ₄	d ₁	d ₃	G	AC	AD	L1
GKH129	390	45	111	526	440	115	375 ₋₁	330	205	280	85	95	Φ250	Φ105H7	53	见附录 A-2 和 A-3 Please see appendix A-2 and A-3		
	225 _{-0.5}	Φ39	420	110	100	350	592	400	296	2.5	70	80	Φ135	Φ105h6	Φ450			
GKH159	426	54	125	634	480	140	450 ₋₁	420	250	330	90	100	Φ287	Φ125H7	71.7			
	280 ₋₁	Φ39	500	130	100	380	705	500	350	3	80	90	Φ155	Φ125h6	Φ550			

注： 1.减速机部分的外形尺寸，未包含通气帽的高度尺寸。通气帽的高度尺寸为 17。

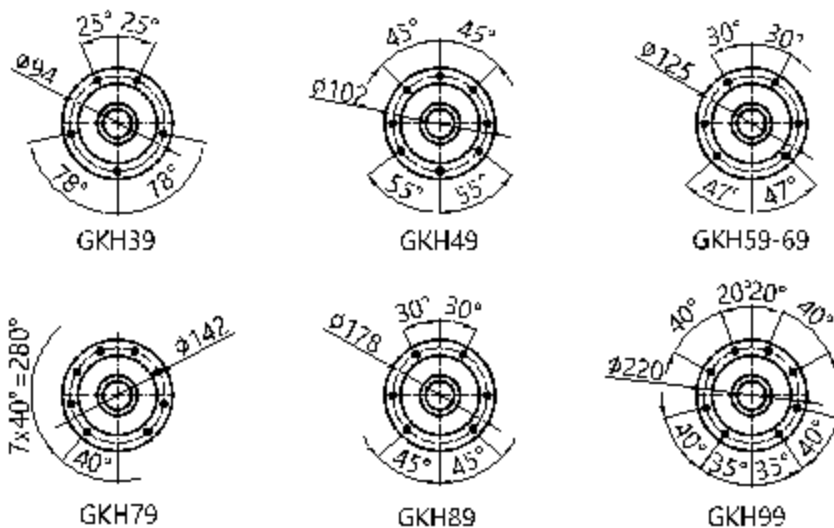
2.电机需方配或配特殊电机时需加联接法兰（见附录 D）

Note: 1.The dimensions don't include the height of the breathe valve.the height of the breathe valve is 17.

2.When equipping the user's motor or the special one, the flange is required to connected. (Please see appendix D)

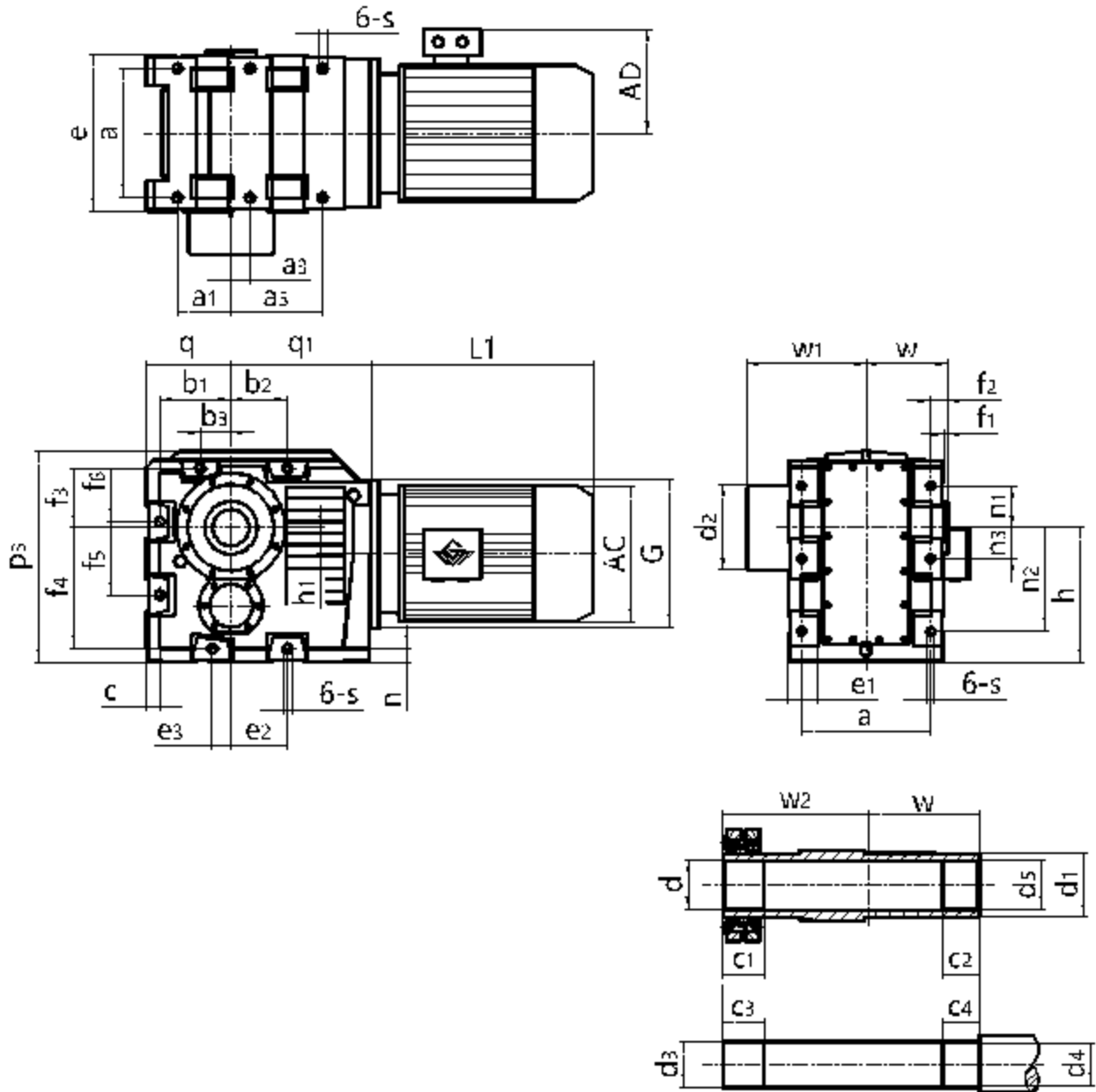
A 向法兰安装结构尺寸

Fig.A Mounting Dimension



GKH169-189
安装结构尺寸

GKH169-189
Mounting Dimensional Description



机型号 Type size	a_1	p_3	b_1	f_3	f_6	e_2	a	h	n_3	c_1	c_4	w_2	d	d_4	电机尺寸 Motor size			
	a_2	q	b_2	f_4	h_1	e_3	f_2	n_1	e	c_2	w	s	d_5	d_1	AC	AD	L1	
	a_3	q_1	b_3	f_5	n	c	f_1	n_2	e_1	c_3	w_1	d_2	d_3	G				
GKH169	200	786	265	220	22	210	480	500 ₋₁	115	122	100	423	Φ135H7	Φ140h6	见附录 A-2 和 A-3 Please see appendix A-2 and A-3			
	340	315 ₋₁	210	450	97	70	65	155	580	90	305	Φ33	Φ140H7	Φ180				
	70	522	115	250	50	50	15	385	104	130	442	Φ317	Φ135h6	Φ550				
GKH189	215	942	305	250	5	250	540	600 ₋₁	150	117	105	455	Φ155H7	Φ160h6	见附录 A-2 和 A-3 Please see appendix A-2 and A-3			
	405	355 ₋₁	250	550	112	60	67	160	640	95	337	Φ39	Φ160H7	Φ210				
	95	582	135	305	50	50	17	460	110	130	474	Φ367	Φ155h6	Φ550				

注： 1.减速机部分的外形尺寸，未包含通气帽的高度尺寸。通气帽的高度尺寸为 17。

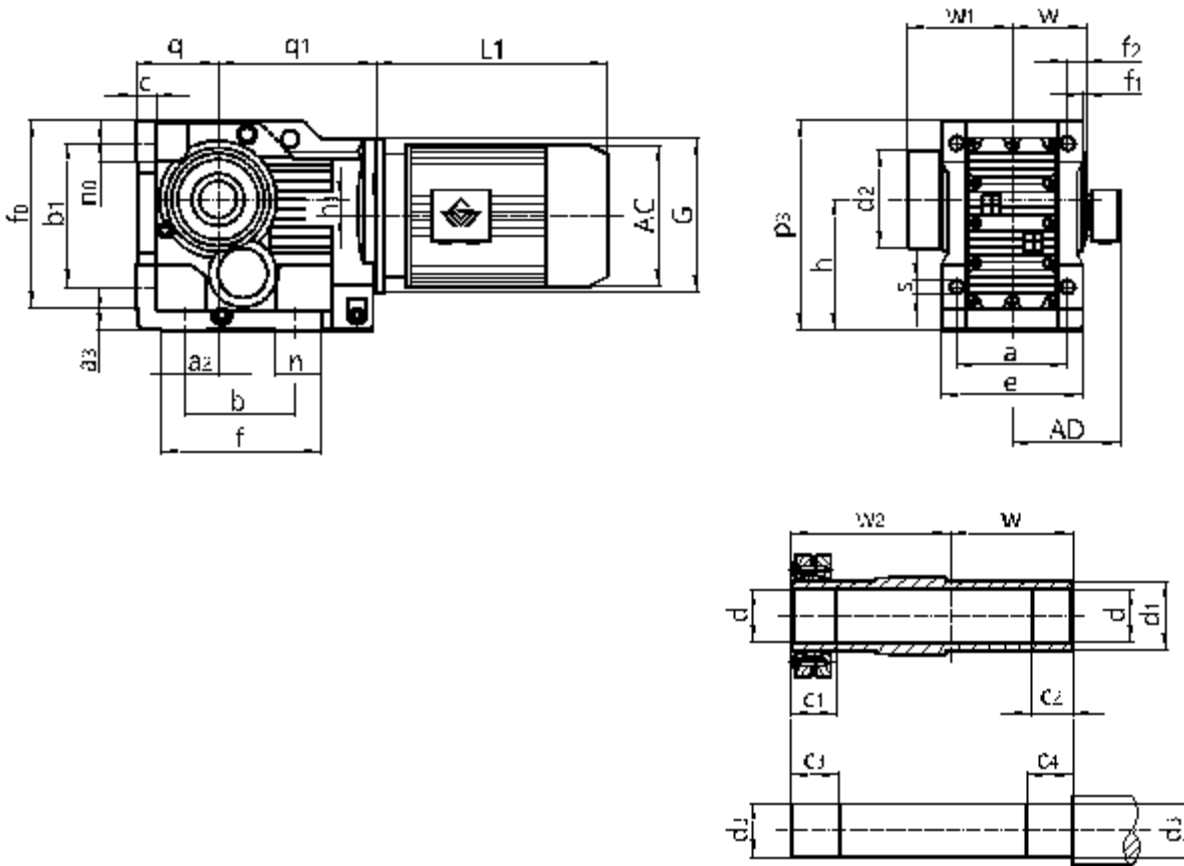
2.电机需方配或配特殊电机时需加联接法兰（见附录 D）

Note: 1.The dimensions don't include the height of the breathe valve.the height of the breathe valve is 17.

2.When equipping the user's motor or the special one, the flange is required to connected. (Please see appendix D)

GKHB49-109
安装结构尺寸

GKHB49-109
Mounting Dimensional Description



机型号 Type Size	q q1	s b	p3 a2	h n	a b1	e a3	f0 f1	w n0	d d3	c h1	d1 d2	f f2	c1 c2	c3 c4	w1 w2	G	电机尺寸 Motor Size			
																	AC	AD	L1	
GKHB49	71-0.5	Φ11	185	112-0.5	120	145	170	75	Φ35H7	18	Φ50	162	32	37	110	Φ160	见附录 A-2 和 A-3 Please see appendix A-2 and A-3			
	166	130	35	32	130	37	3	37	Φ35h6	7.2	Φ88	15	20	25	102					
GKHB59	80-0.5	Φ13.5	217	132-0.5	130	157	190	83	Φ40H7	21	Φ55	172	26	31	120	Φ160				
	173	130	30	40	150	45	3	43	Φ40h6	13.1	Φ102	18	20	25	112					
GKHB69	90-0.5	Φ13.5	228	140-0.5	140	170	203	90	Φ40H7	24	Φ55	170	38	43	126	Φ160				
	179	120	30	45	160	45	3.5	43	Φ40h6	20	Φ102	20	20	25	118					
GKHB79	112-0.5	Φ17.5	288	180-0.5	165	200	263	105	Φ50H7	27	Φ70	212.5	36	41	146	Φ200				
	202	150	40	55	200	45	4	55	Φ50h6	31.3	Φ127	22.5	30	35	136					
GKHB89	132-0.5	Φ22	340	212-0.5	180	230	305	120	Φ65H7	32	Φ85	260	41	46	170	Φ250				
	257	180	55	75	233	70	4	67	Φ65h6	25.9	Φ159	30	40	45	161					
GKHB99	160-0.5	Φ26	417	265-1	240	290	372	150	Φ75H7	36	Φ95	294	55	60	206	Φ300				
	277	240	75	60	295	75	4	82	Φ75h6	32.3	Φ174	30	50	55	195					
GKHB109	200-0.5	Φ33	503	315-1	270	340	448	175	Φ95H7	40	Φ118	380	65	75	245	Φ350				
	341	280	95	100	360	95	3	90	Φ95h6	52	Φ234	40	60	70	230					

注： 1.减速机部分的外形尺寸，未包含通气帽的高度尺寸。通气帽的高度尺寸为 17。

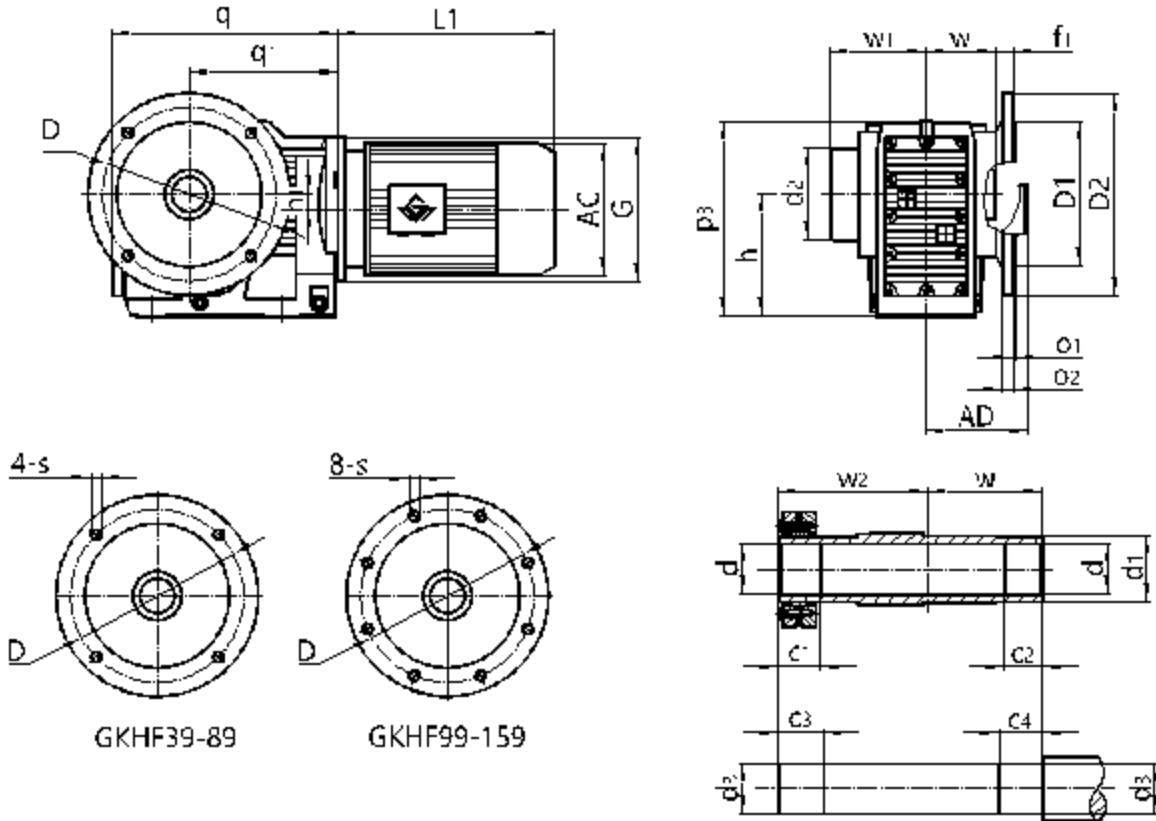
2.电机需方配或配特殊电机时需加联接法兰（见附录 D）

Note: 1.The dimensions don't include the height of the breathe valve.the height of the breathe valve is 17.

2.When equipping the user's motor or the special one, the flange is required to connected. (Please see appendix D)

GKHF39-159
安装结构尺寸

GKHF39-159
Mounting Dimensional Description



机型号 Type Size	q q ₁	h h ₁	o ₁		s f ₁	w ₁ w	w ₂ c ₁	c ₂		D ₁ D ₂	d ₁ d ₃	d d ₂	p ₃ G	电机尺寸 Motor Size																		
			o ₂	f ₁				c ₃	c ₄ D					AC	AD	L1																
GKHF39	210	100 ^{-0.5}	3.5	Φ9	95	86	20	25	Φ110j6	Φ45	Φ30H7	164	见附录 A-2 和 A-3 Please see appendix A-2 and A-3	AC	AD	L1																
	139	8.5	10	24	60	31	36	Φ130	Φ160	Φ30h6	Φ80	Φ120																				
GKHF49	243	112 ^{-0.5}	3.5	Φ11	110	102	20	25	Φ130j6	Φ50	Φ35H7	185					见附录 A-2 和 A-3 Please see appendix A-2 and A-3	AC	AD	L1												
	166	7.2	12	25	75	32	37	Φ165	Φ200	Φ35h6	Φ88	Φ160																				
GKHF59	270	132 ^{-0.5}	4	Φ13.5	120	112	20	25	Φ180j6	Φ55	Φ40H7	215									见附录 A-2 和 A-3 Please see appendix A-2 and A-3	AC	AD	L1								
	173	13.1	15	23.5	83	26	31	Φ215	Φ250	Φ40h6	Φ102	Φ160																				
GKHF69	275	140 ^{-0.5}	4	Φ13.5	126	118	20	25	Φ180j6	Φ55	Φ40H7	226													见附录 A-2 和 A-3 Please see appendix A-2 and A-3	AC	AD	L1				
	179	20	15	23	90	38	43	Φ215	Φ250	Φ40h6	Φ102	Φ160																				
GKHF79	313	180 ^{-0.5}	4	Φ13.5	146	136	30	35	Φ230j6	Φ70	Φ50H7	288																	见附录 A-2 和 A-3 Please see appendix A-2 and A-3	AC	AD	L1
	202	31.3	16	37	105	36	41	Φ265	Φ300	Φ50h6	Φ127	Φ200																				
GKHF89	391	212 ^{-0.5}	5	Φ17.5	170	161	40	45	Φ250h6	Φ85	Φ65H7	338	见附录 A-2 和 A-3 Please see appendix A-2 and A-3	AC	AD	L1																
	257	25.9	18	30	120	41	46	Φ300	Φ350	Φ65h6	Φ159	Φ250																				
GKHF99	435	265 ⁻¹	5	Φ17.5	206	195	50	55	Φ350h6	Φ95	Φ75H7	417					见附录 A-2 和 A-3 Please see appendix A-2 and A-3	AC	AD	L1												
	277	32.3	22	41.5	150	55	60	Φ400	Φ450	Φ75h6	Φ174	Φ300																				
GKHF109	537	315 ⁻¹	5	Φ17.5	245	230	60	70	Φ350h6	Φ118	Φ95H7	500									见附录 A-2 和 A-3 Please see appendix A-2 and A-3	AC	AD	L1								
	341	52	22	41	175	65	75	Φ400	Φ450	Φ95h6	Φ234	Φ350																				
GKHF129	615	375 ⁻¹	5	Φ17.5	296	280	70	80	Φ450h6	Φ135	Φ105H7	592													见附录 A-2 和 A-3 Please see appendix A-2 and A-3	AC	AD	L1				
	390	53	25	51	205	85	95	Φ500	Φ550	Φ105h6	Φ250	Φ450																				
GKHF159	706	450 ⁻¹	6	Φ22	350	330	80	90	Φ550h6	Φ155	Φ125H7	705																	见附录 A-2 和 A-3 Please see appendix A-2 and A-3	AC	AD	L1
	426	71.7	28	60	250	90	100	Φ600	Φ660	Φ125h6	Φ287	Φ550																				

注： 1.减速机部分的外形尺寸，未包含通气帽的高度尺寸。通气帽的高度尺寸为 17。

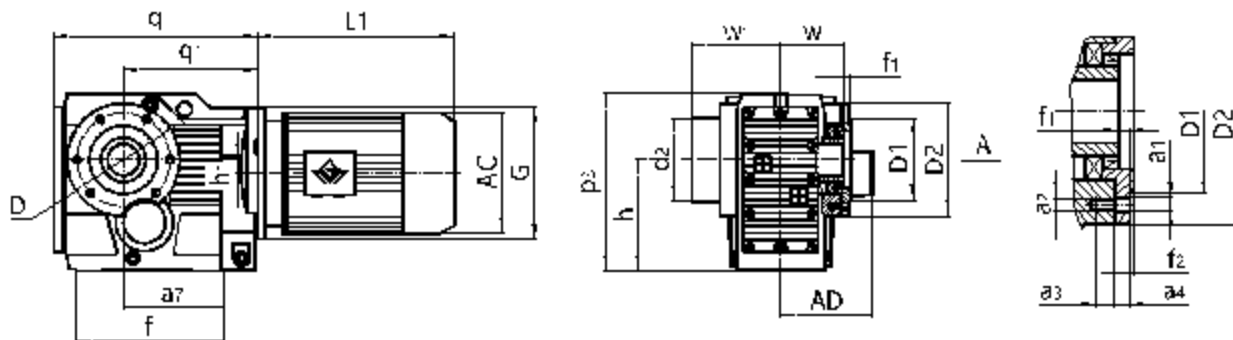
2.电机需方配或配特殊电机时需加联接法兰（见附录 D）

Note: 1.The dimensions don't include the height of the breathe valve.the height of the breathe valve is 17.

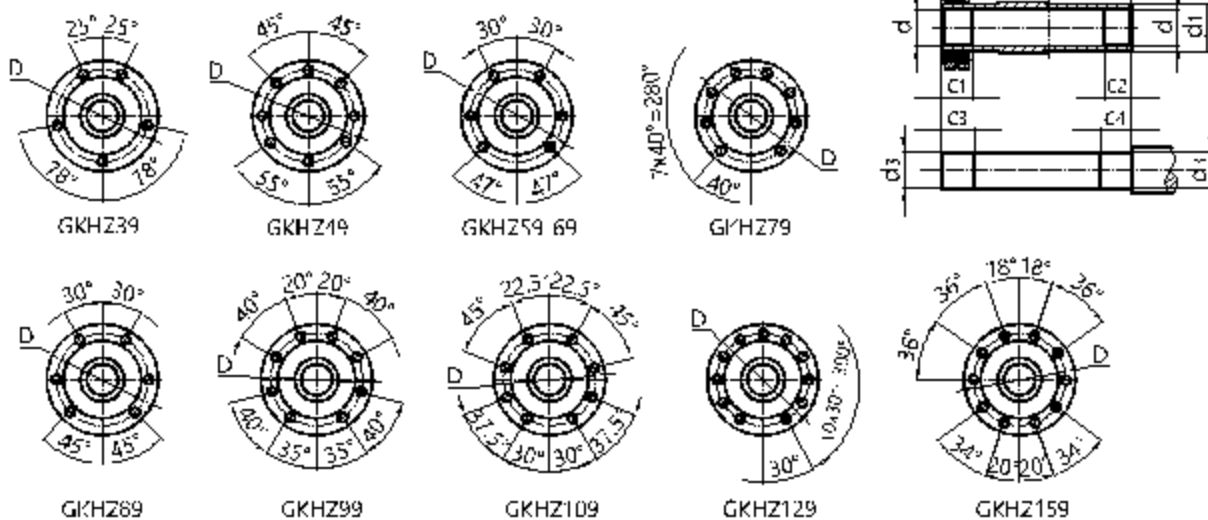
2.When equipping the user's motor or the special one, the flange is required to connected. (Please see appendix D)

GKHZ39-159
安装结构尺寸

GKHZ39-159
Mounting Dimensional Description



A可法兰安装结构尺寸 (Fig.A Mounting Dimension)



机型号 Type Size	q q ₁	D1 D2	h h ₁	p ₃ a ₇	f f ₁	w w ₁	G w ₂	d ₂ d ₁	d d ₃	c ₁ c ₂	c ₃ c ₄	a ₃ a ₄	f ₂ a ₂	a ₁ D	电机尺寸 Motor Size														
															AC	AD	L1												
GKHZ39	210	Φ80j6	100 ^{-0.5}	164	147	60	Φ120	Φ80	Φ30H7	31	36	12	3	Φ9	见附录 A-2 和 A-3 Please see appendix A-2 and A-3														
	139	Φ110	8.5	97	9	95	86	Φ45	Φ30h6	20	25	11.5	M8	Φ94															
GKHZ49	243	Φ80j6	112 ^{-0.5}	185	170	75	Φ160	Φ88	Φ35H7	32	37	12	3	Φ9															
	166	Φ120	7.2	115	8	110	102	Φ50	Φ35h6	20	25	11	M8	Φ102															
GKHZ59	270	Φ105j6	132 ^{-0.5}	215	182	83	Φ160	Φ102	Φ40H7	26	31	20	3.5	Φ13.5															
	173	Φ155	13.1	120	9	120	112	Φ55	Φ40h6	20	25	12	M12	Φ125															
GKHZ69	275	Φ105j6	140 ^{-0.5}	226	182	90	Φ160	Φ102	Φ40H7	38	43	20	3.5	Φ13.5															
	179	Φ155	20	125	8.5	126	118	Φ55	Φ40h6	20	25	12	M12	Φ125															
GKHZ79	313	Φ125j6	180 ^{-0.5}	286	204	105	Φ200	Φ127	Φ50H7	36	41	23	3.5	Φ13.5															
	202	Φ170	31.3	139	10	146	136	Φ70	Φ50h6	30	35	14	M12	Φ142															
GKHZ89	391	Φ155j6	212 ^{-0.5}	338	280	120	Φ250	Φ159	Φ65H7	41	46	30	4	Φ17.5															
	257	Φ215	25.9	190	11	170	161	Φ85	Φ65h6	40	45	15	M16	Φ178															
GKHZ99	435	Φ180j6	265 ⁻¹	417	298	150	Φ300	Φ174	Φ75H7	55	60	28	4	Φ17.5															
	277	Φ260	32.3	190	14	206	195	Φ95	Φ75h6	50	55	18	M16	Φ220															
GKHZ109	537	Φ210j6	315 ⁻¹	500	370	175	Φ350	Φ234	Φ95H7	65	75	32	4	Φ22															
	341	Φ304	52	230	-8	245	230	Φ118	Φ95h6	60	70	22	M20	Φ260															
GKHZ129	615	Φ250h6	375 ⁻¹	592	440	205	Φ450	Φ250	Φ105H7	85	95	36	5	Φ22															
	390	Φ350	53	275	0	296	280	Φ135	Φ105h6	70	80	30	M20	Φ300															
GKHZ159	706	Φ290h6	450 ⁻¹	705	480	250	Φ550	Φ287	Φ125H7	90	100	42	5	Φ26															
	426	Φ400	71.7	290	-14	350	330	Φ155	Φ125h6	80	90	28	M24	Φ340															

注: 1.减速机部分的外形尺寸, 未包含通气帽的高度尺寸。通气帽的高度尺寸为 17。

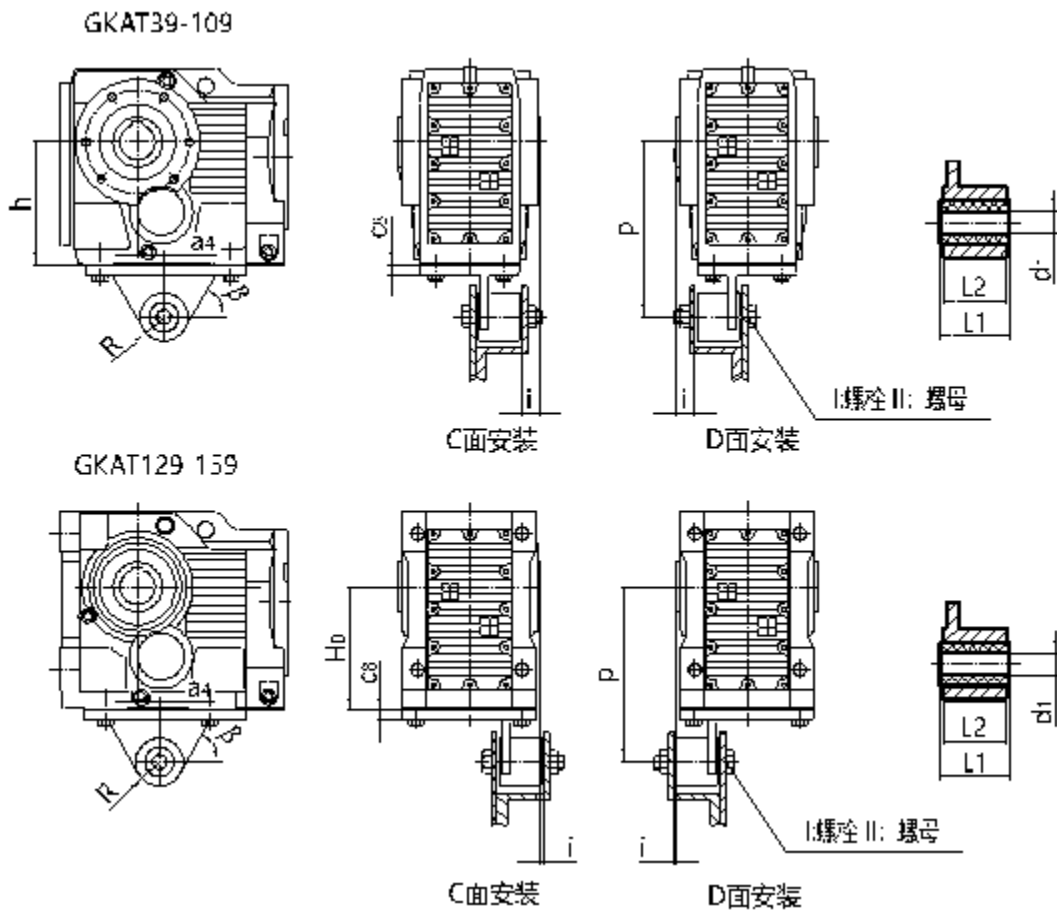
2.电机需方配或配特殊电机时需加联接法兰 (见附录 D)

Note: 1.The dimensions don't include the height of the breathe valve.the height of the breathe valve is 17.

2.When equipping the user's motor or the special one, the flange is required to connected. (Please see appendix D)

GKAT39-159
安装结构尺寸

GKAT39-159
Mounting Dimensional Description



机型号 Type Size	a ₄	β	c _s	i	P	R	h	d ₁	L1 _{-0.3} ⁰	L2
GKAT39	23.5	60°	10	20	140 ⁺⁰² ₋₀₇	22.5	100 _{-0.5}	10.4 ⁺⁰¹ ₋₀₁	36	31
GKAT49	30	55°	12	20	160 ⁺⁰² ₋₀₇	22.5	112 _{-0.5}	10.4 ⁺⁰¹ ₋₀₁	36	31
GKAT59	40	55°	13	18	192 ⁺⁰² ₋₀₇	29	132 _{-0.5}	16.4 ^{+0.08} _{-0.08}	60	54
GKAT69	45	55°	13	25	200 ⁺⁰² ₋₀₇	29	140 _{-0.5}	16.4 ^{+0.08} _{-0.08}	60	54
GKAT79	52.5	64°	14	25	250 ⁺⁰² ₋₀₇	29	180 _{-0.5}	16.4 ^{+0.08} _{-0.08}	60	54
GKAT89	60	60°	16	30	300 ⁺⁰² ₋₀₇	41	212 _{-0.5}	25 ^{+0.08} _{-0.08}	80	72
GKAT99	70	50°	17	40	350 ⁺⁰² ₋₁₂	41	265 ₋₁	25 ^{+0.08} _{-0.08}	100	92
GKAT109	74	55°	20	45	450 ⁺⁰⁵ ₋₁₅	41	315 ₋₁	25 ^{+0.08} _{-0.08}	100	92
GKAT129	60	65°	45	7	550 ⁺⁰⁵ ₋₁₅	70	375 ₋₁	40 ^{+0.08} _{-0.08}	126	110
GKAT159	50	70°	45	2	700 ⁺⁰⁵ ₋₁₅	70	450 ₋₁	40 ^{+0.08} _{-0.08}	126	110

其它尺寸请按照 GKA 型。

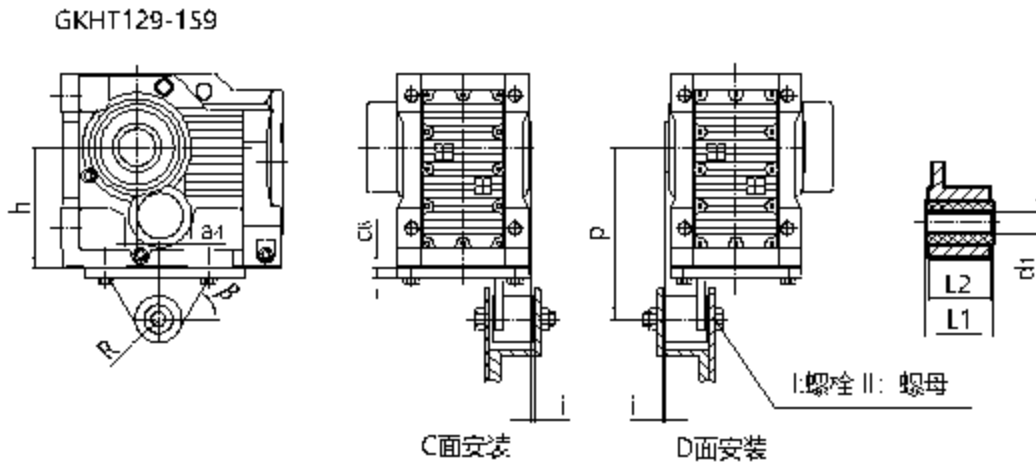
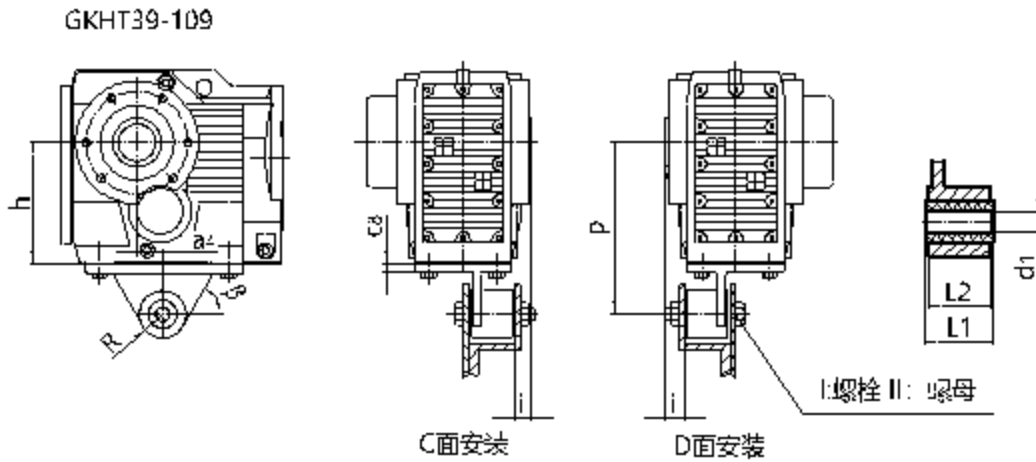
注：I：螺栓 II：螺母，均用户自配。

For other dimensions, see the type GKA.

Note: bolts I and nuts II are prepared by customers.

GKHT39-159
安装结构尺寸

GKHT39-159
Mounting Dimensional Description



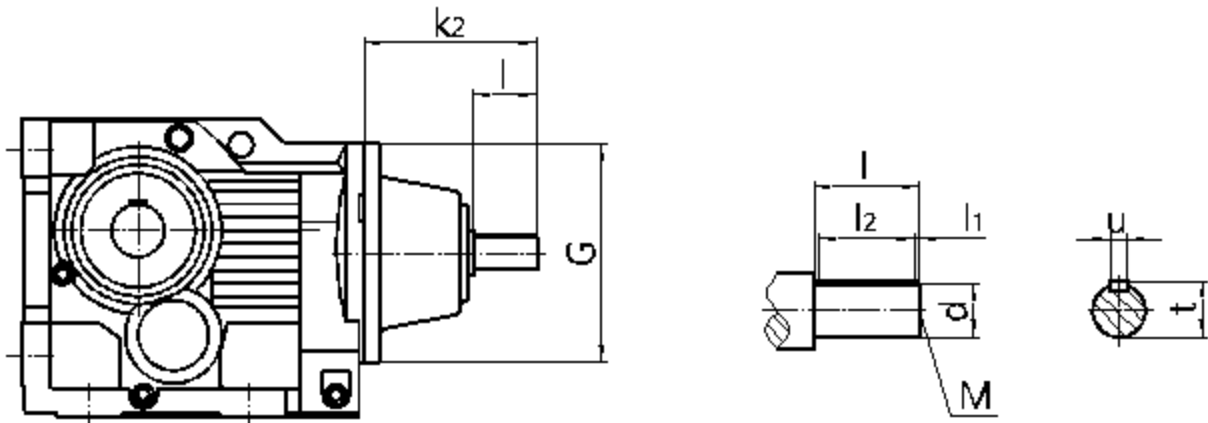
机型号 Type Size	a ₄	β	c ₈	i	P	R	h	d ₁	L1 _{-0.3}	L2
GKHT39	23.5	60°	10	20	140 ^{+0.2} _{-0.7}	22.5	100 _{-0.5}	10.4 ^{+0.1} _{-0.1}	36	31
GKHT49	30	55°	12	20	160 ^{+0.2} _{-0.7}	22.5	112 _{-0.5}	10.4 ^{+0.1} _{-0.1}	36	31
GKHT59	40	55°	13	18	192 ^{+0.2} _{-0.7}	29	132 _{-0.5}	16.4 ^{+0.08} _{-0.08}	60	54
GKHT69	45	55°	13	25	200 ^{+0.2} _{-0.7}	29	140 _{-0.5}	16.4 ^{+0.08} _{-0.08}	60	54
GKHT79	52.5	64°	14	25	250 ^{+0.2} _{-0.7}	29	180 _{-0.5}	16.4 ^{+0.08} _{-0.08}	60	54
GKHT89	60	60°	16	30	300 ^{+0.2} _{-0.7}	41	212 _{-0.5}	25 ^{+0.08} _{-0.08}	80	72
GKHT99	70	50°	17	40	350 ^{+0.2} _{-1.2}	41	265 ₋₁	25 ^{+0.08} _{-0.08}	100	92
GKHT109	74	55°	20	45	450 ^{+0.5} _{-1.5}	41	315 ₋₁	25 ^{+0.08} _{-0.08}	100	92
GKHT129	60	65°	45	7	550 ^{+0.5} _{-1.5}	70	375 ₋₁	40 ^{+0.08} _{-0.08}	126	110
GKHT159	50	70°	45	2	700 ^{+0.5} _{-1.5}	70	450 ₋₁	40 ^{+0.08} _{-0.08}	126	110

其它尺寸请按照 GKH 型。

注：I：螺栓 II：螺母，均用户自配。

For other dimensions, see the type GKH.

Note: bolts I and nuts II are prepared by customers.

GK..39-189AD1-8
安装结构尺寸
GK..39-189AD1-8
Mounting Dimensional Description


机型号 Type Size	规格 Specification	适用功率范围(kW)/4P Range Power	d	G	k ₂	l	M	l ₁	l ₂	t	u
GK..39	AD1	0.12-0.18	16k6	Φ120	130	40	M5	4	32	18	5
	AD2	0.25-3	19k6	Φ120	130	40	M6	4	32	21.5	6
GK..49	AD2	0.12-1.5	19k6	Φ160	149	40	M6	4	32	21.5	6
	AD3	2.2-3	24k6	Φ160	159	50	M8	5	40	27	8
GK..59/69	AD2	0.12-1.5	19k6	Φ160	149	40	M6	4	32	21.5	6
	AD3	2.2-5.5	24k6	Φ160	159	50	M8	5	40	27	8
GK..79	AD2	0.12-1.5	19k6	Φ200	184	40	M6	4	32	21.5	6
	AD3	2.2-4	24k6	Φ200	194	50	M8	5	40	27	8
	AD4	5.5-11	38k6	Φ200	224	80	M12	5	70	41	10
GK..89	AD2	0.55-1.5	19k6	Φ250	136	40	M6	4	32	21.5	6
	AD3	2.2-4	28k6	Φ250	156	60	M10	5	50	31	8
	AD4	5.5-7.5	38k6	Φ250	262	80	M12	5	70	41	10
	AD5	11-22	42k6	Φ250	292	110	M16	10	70	45	12
GK..99	AD3	1.1-4	28k6	Φ300	194	60	M10	5	50	31	8
	AD4	5.5-7.5	38k6	Φ300	214	80	M12	5	70	41	10
	AD5	11-22	42k6	Φ300	327	110	M16	10	70	45	12
	AD6	30	48k6	Φ300	327	110	M16	10	80	51.5	14
GK..109	AD3	3-4	28k6	Φ350	188	60	M10	5	50	31	8
	AD4	5.5-7.5	38k6	Φ350	208	80	M12	5	70	41	10
	AD5	11-22	42k6	Φ350	321	110	M16	10	70	45	12
	AD6	30-45	48k6	Φ350	321	110	M16	10	80	51.5	14
GK..129	AD4	7.5	38k6	Φ450	270	80	M12	5	70	41	10
	AD5	11-22	42k6	Φ450	300	110	M16	10	90	45	12
	AD6	30-45	48k6	Φ450	300	110	M16	10	90	51.5	14
	AD7	55	55m6	Φ450	300	110	M20	10	90	59	16
GK..159/169/189	AD8	75-90	70m6	Φ450	383	140	M20	15	110	74.5	20
	AD5	11-22	42k6	Φ550	344/344/336	110	M16	10	90	45	12
	AD6	30-45	48k6	Φ550	344/344/336	110	M16	10	90	51.5	14
	AD7	55-90	55m6	Φ550	344/344/336	110	M20	10	90	59	16
	AD8	110-200	70m6	Φ550	374/374/366	140	M20	15	110	74.5	20

其它尺寸请参照 GK 型。

注： 1.GKF/GKA/GKAB/GKAF/GKAZ/GKH/GKHF/GKHZ 均可采用双轴型，并分别记为 GKF..AD...、GKA..AD...、GKAB..AD...、GKAF..AD...、GKAZ..AD...、GKH..AD...、GKHF..AD...和 GKHZ..AD...。

2.通过联轴器联接，可直接参考上表功率范围；若电机和减速机之间是通过其他极数电机、齿轮、链轮、皮带轮等传动方式联接，需客户自行转换。

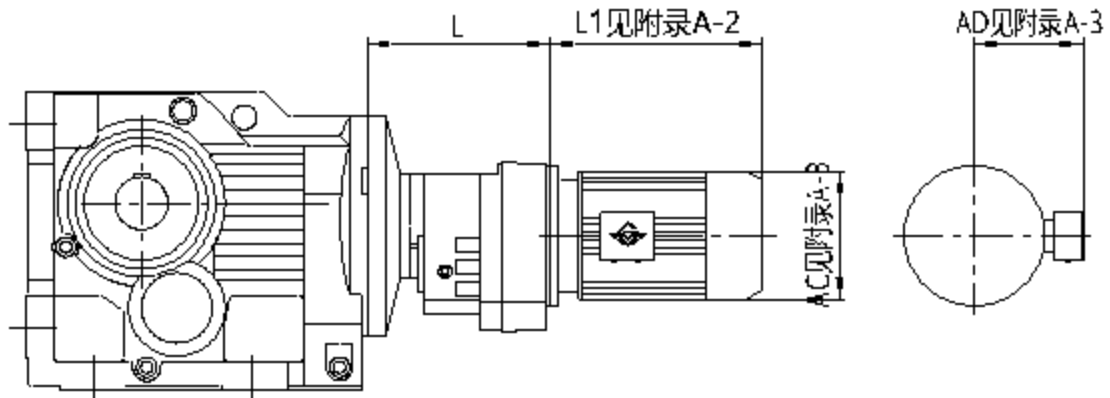
For other dimensions, see the type GK.

Note: 1.Double shafts type is also available for type GKF/GKA/GKAB/GKAF/GKAZ/GKH/GKHF/GKHZ, and these double shafts types are respectively named type GKF..AD..., GKA..AD..., GKAB..AD..., GKAF..AD..., GKAZ..AD..., GKH..AD..., GKHF..AD.. and GKHZ..AD....

2.Applicable power refers to the input torque of 4 pole motor. If the connect way is coupling, can see the power range on the table directly, if the connect way is other pole motor, sprocket, belt pulley, need customers to convert by themselves.

GK..R..
安装结构尺寸

GK..R..
Mounting Dimensional Description



机型号 Type Size	机座号 Frame Size	L
GK..39R19	63	135
	71	
	80	
GK..49R39 GK..69R39	63	163
	71	
	80	
GK..59R39	63	163
	71	
	80	
GK..79R39	63	163
	71	
	80	
GK..89R59	63	216
	71	
	80	
GK..99R59	90	216
	100	
	112	
	132	
GK..109R79	63	251
	71	
	80	
	90	
	100	
	112	
	132	
160		

机型号 Type Size	机座号 Frame Size	L
GK..129R79	63	241
	71	
	80	
	90	
	100	
	112	
GK..129R89	132	280
	160	
	90	
	100	
	112	
	132	
GK..159R99 GK..169R99 GK..189R99	160	332
	180	
	80	
	90	
	100	
	112	
GK..159R109 GK..169R109 GK..189R109	132	382
	160	
	180	
	200	
	225	

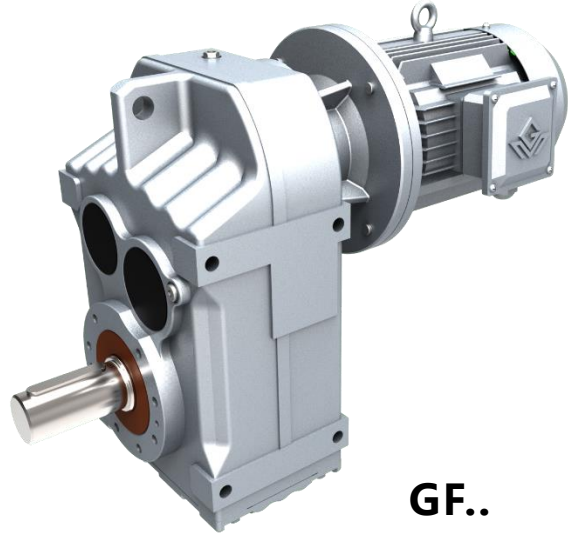
注：GKA/GKAF/GKF/GKAZ/GKH/GKHF/GKHZ 均可采用串联组合机型。

Note: Combined type is also available for type GKA/GKAF/GKF/GKAZ/GKH/GKHF/GKHZ.

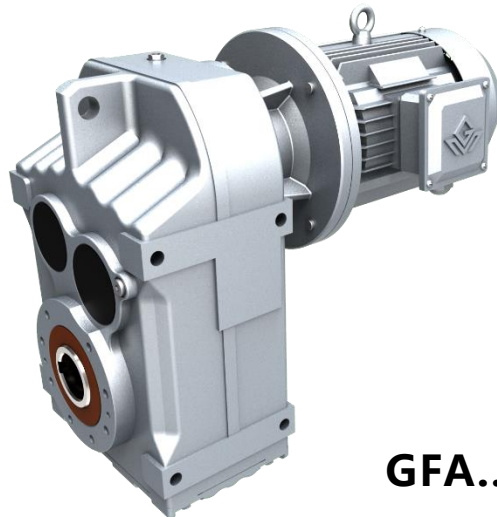
GF Series Parallel-Shaft Helical Geared Motors

GF
系列

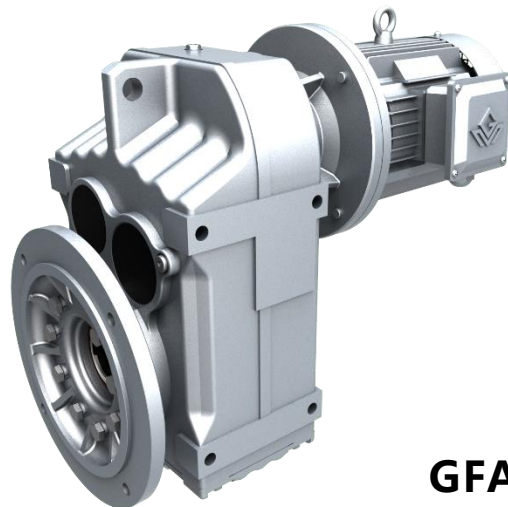
平行轴
—
斜齿
轮减
速电
机



GF..



GFA..



GFAF..

GF 系列 平行轴-斜齿轮减速电机

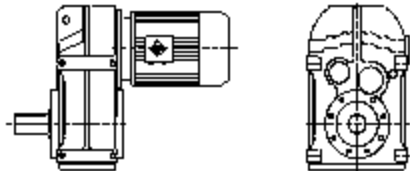
结构形式说明 Dimensional Description

GF 系列各轴之间的几何位置都互为平行关系，因而亦称为平行轴系列。由两级或三级斜齿轮构成。

Shafts of GF series geared motors are all parallel to each other. Units of GF series all consist of two or three stages helical gears.

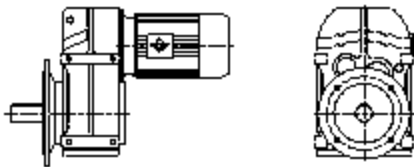
1.GF 型：底脚安装，输出轴为实心轴。

Type GF: Foot mounted. Solid output shaft.



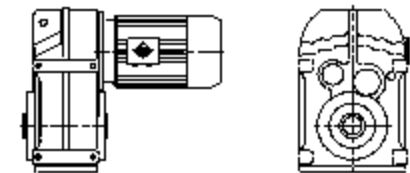
2.GFF 型：B5 法兰安装，输出轴为实心轴。

Type GFF: B5 flange mounted. Solid output shaft.



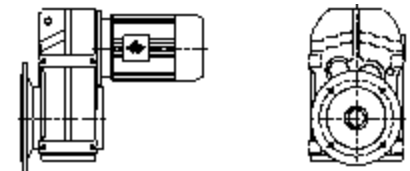
3.GFA 型：轴装式，输出轴为空心轴。

Type GFA: Shaft mounted. Hollow output shaft.



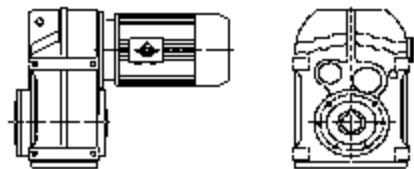
4. GFAF 型：B5 法兰安装，输出轴为空心轴。

Type GFAF: B5 flange mounted. Hollow output shaft.



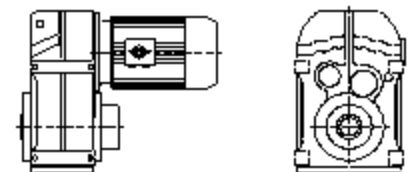
5. GFAZ 型：B14 法兰空心轴安装。

Type GFAZ: B14 flange mounted version with hollow shaft.



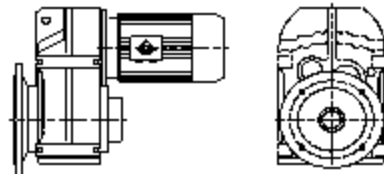
6.GFH 型：空心轴锁紧盘安装。

Type GFH: Hollow shaft and shrink disk mounted.



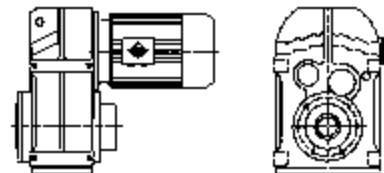
7.GFHF 型：B5 法兰空心轴锁紧盘安装。

Type GFHF: B5 flange mounted version with hollow shaft and shrink disk.



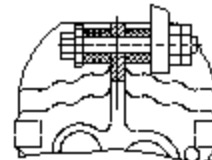
8.GFHZ 型：B14 法兰空心轴锁紧盘安装。

Type GFHZ: B14 flange mounted version with hollow shaft and shrink disk.



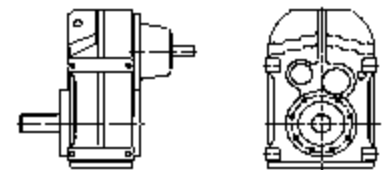
9.GFAT 型/GFHT 型：即在 GFA/GFH 型上增加防转臂附件后的派生型。

Type GFAT/GFHT: As altered type from type GFA/GFH, this type is added torque arm and other accessories.



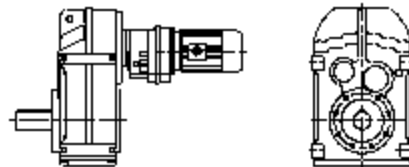
10.GF..AD 型：轴输入型。

Type GF..AD: Input shaft types .

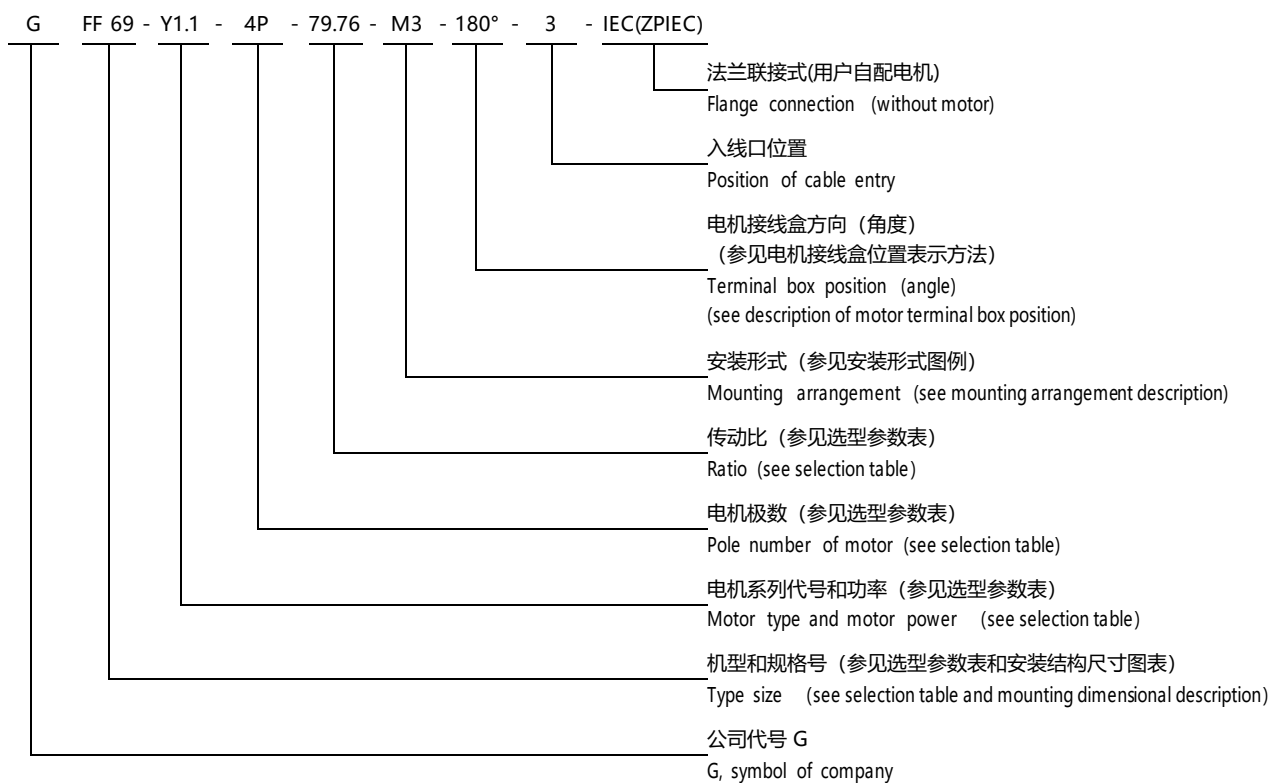


11.GF..R 型：GF 系列和 GR 系列的组合。

Type GF..R: Combined types of type GF and type GR.



GF 系列机型号表示方法 Type Expression of GF Series

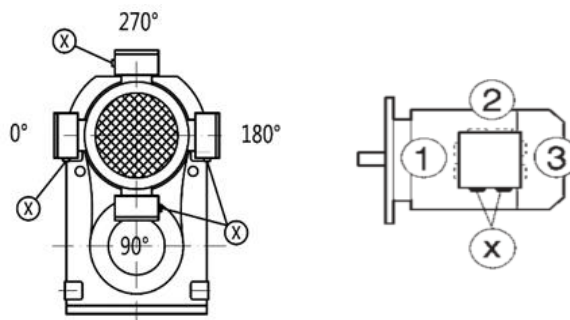


- 注: 1、需带联接法兰时请注明 IEC。
2、输入轴型没有电机各项内容。
3、不注明减速机的安装形式时, 则默认为安装形式中的 M1 位置。不注明接线盒方向时, 则默认为安装形式中的 0 度位置。不注明入线口位置时, 则默认为 X 位置。
4、对输出轴旋转方向和输入轴旋转方向有特别要求的用户, 请与技术部联系, 并在订货时用简图或文字说明。

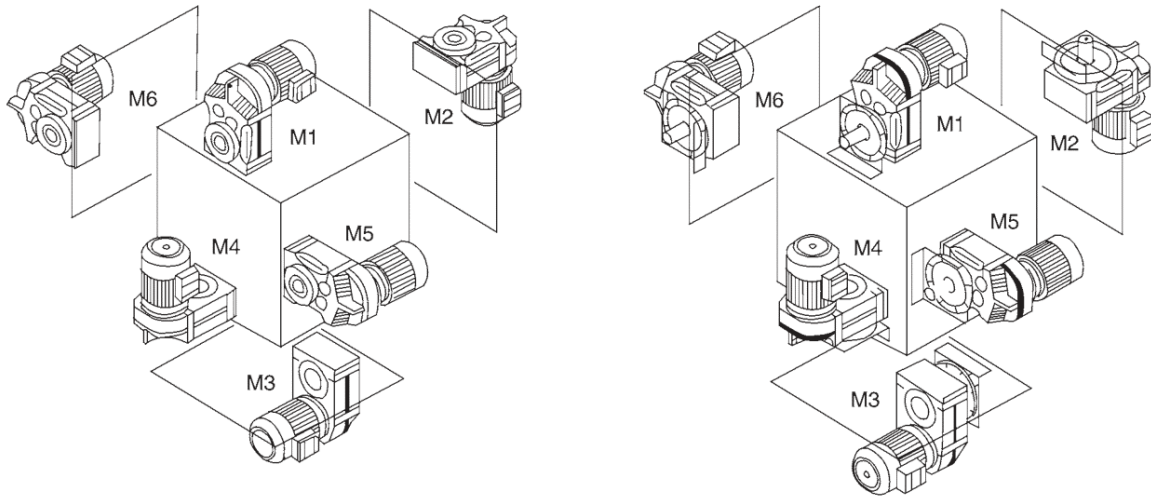
- Note: 1、Please make a note, if it needs connecting flange.
2、Contents of motors for input shaft types are not listed.
3、It is M1, When the mounting arrangement of the reducer is not mentioned. Degree=0°, if terminal box position is not mentioned. It is X, if cable entry position is not mentioned.
4、If specific rotation directions of output shaft or/and input shaft are specially requested, please contact our technology department, and make detailed description while placing order.

电机接线盒位置及入线口位置表示方法

Description of Motor Terminal Box Position and Cable Entry Position



安装形式图例 Mounting Arrangements Description



安装形式定义:

- M1—电机水平放置; 减速机底部朝下。
- M2—电机居下。
- M3—电机水平放置; 减速机底部朝上。
- M4—电机居上。
- M5—电机水平放置; 当减速机在 M1 安装位置时, 从电机方向看, 减速机的左面旋转到下方位置。
- M6—电机水平放置; 当减速机在 M1 安装位置时, 从电机方向看, 减速机的左面旋转到上方位置。

Mounting arrangements are defined as following:

- M1—horizontally mounted motor, unit base is at bottom.
- M2—motor is vertically mounted downwards.
- M3—horizontally mounted motor, unit base is on top.
- M4—motor is vertically mounted upwards.
- M5—horizontally mounted motor, if placed on M1 position, left side of unit turns to bottom (view point: towards from motor side).
- M6—horizontally mounted motor, if placed on M1 position, left side of unit turns to top (view point: towards from motor side).

减速机重量 Gear Unit Weight

机型号 Type size	GF39	GF49	GF59	GF69	GF79	GF89	GF99	GF109	GF129	GF159
重量(kg) Weight	15	20	31	35	67	117	195	305	520	950

注:重量为平均值, 不包括电机、联接法兰, 仅供参考。

(Note: The weights mean values without the motor and IEC flange, only for reference.)

选型参数表注释 Description of Selection Table

恒功率 Constant power

n_a [r/min]	M_a [N.m]	i	F_{Ra} [kN]	f_B	机型号 Type size	极数 Pole
↓	↓	↓	↓	↓		
输出转速 Output speed	输出转矩 Output torque	减速比 Ratio	许用径向载荷 Permissible radial load	使用系数 Service factor		

恒转矩 Constant torque

M_{max} [N.m]	n_a [r/min]	i	F_{Ra} [kN]	机型号 Type size	P [kW]/4P
↓	↓	↓	↓		↓
最大输出转矩 Max.output torque	输出转速 Output speed	减速比 Ratio	许用径向载荷 Permissible radial load		电机功率 Motor power

**选型参数表
(恒功率)**
**Selection Table
(Constant Power)**

n_a [r/min]	M_a [N.m]	i	F_{Ra} [kN]	f_B	机型号 Type size	极数 Pole	n_a [r/min]	M_a [N.m]	i	F_{Ra} [kN]	f_B	机型号 Type size	极数 Pole
0.12kW							0.12kW						
0.06	17605	22298	80	0.80			1.5	672	851	8.9	0.95		
0.07	15021	19026	85	0.85	GFA129R79 GFAF129R79 GF129R79 GFF129R79	4P	1.8	583	738	9.4	1.10	GFA59R39 GFAF59R39 GF59R39 GFF59R39	4P
0.08	13135	16637	86	0.95			2.0	510	646	10	1.25		
0.09	11610	14705	86	1.10			2.3	441	558	10	1.45		
0.10	10194	12912	86	1.25			2.6	399	506	10	1.60		
0.11	9192	11643	86	1.35			2.9	357	452	11	1.80		
0.13	8037	10180	86	1.55			3.1	336	426	11	1.90	GFA59R39 GFAF59R39 GF59R39 GFF59R39	4P
0.09	11660	14768	42	0.80	3.4	302	382	11	2.10				
0.12	8959	11347	48	0.90	4.0	261	330	11	2.45				
0.13	7926	10039	52	1.05	4.4	235	298	11	2.70				
0.15	6749	8548	54	1.25	5.0	207	262	11	3.10				
0.17	6060	7675	54	1.35	GFA109R79 GFAF109R79 GF109R79 GFF109R79	4P	2.4	429	543	6.0	1.00	GFA49R19 GFAF49R19 GF49R19 GFF49R19	4P
0.19	5343	6768	55	1.55			2.8	375	475	6.5	1.15		
0.22	4701	5954	56	1.75			3.1	331	419	6.9	1.30		
0.25	4124	5223	57	2.00			2.5	414	524	6.1	1.00		
0.29	3606	4567	58	2.30			2.7	386	489	6.4	1.10		
0.37	2780	3521	59	3.00			3.1	337	427	6.8	1.25	GFA49R19 GFAF49R19 GF49R19 GFF49R19	4P
0.20	5107	6469	29	0.90	3.4	301	381	7.0	1.40				
0.23	4433	5615	30	1.00	3.9	264	334	7.2	1.60				
0.26	3917	4961	31	1.15	4.5	232	294	7.4	1.80				
0.30	3421	4333	32	1.35	5.2	200	253	7.5	2.10				
0.34	3084	3906	33	1.50	GFA99R59 GFAF99R59 GF99R59 GFF99R59	4P	4.1	254	322	3.9	0.80	GFA39R19 GFAF39R19 GF39R19 GFF39R19	4P
0.39	2646	3352	33	1.70			4.7	219	278	4.3	0.95		
0.45	2295	2907	34	2.00			5.4	191	242	4.6	1.10		
0.51	2016	2553	34	2.25			5.9	174	221	4.6	1.20		
							4.0	257	326	3.7	0.80		
0.31	3351	4245	23	0.95	GFA89R59 GFAF89R59 GF89R59 GFF89R59	4P	4.6	225	285	4.2	0.95	GFA39R19 GFAF39R19 GF39R19 GFF39R19	4P
0.35	2938	3721	25	1.10			5.2	197	250	4.4	1.05		
							6.0	173	219	4.6	1.20		
							7.0	147	186	4.8	1.45		
							7.8	132	167	4.9	1.60		
0.40	2561	3244	25	1.25	GFA89R59 GFAF89R59 GF89R59 GFF89R59	4P	3.7	293	228.99	12	2.80	GFA69 GFAF69 GF69 GFF69	6P*
0.45	2275	2881	25	1.40			4.4	250	195.39	12	3.30		
0.51	2033	2575	26	1.55			5.0	219	170.85	12	3.80		
0.60	1736	2199	27	1.85			5.2	208	162.31	12	4.00		
0.68	1524	1930	27	2.10			6.0	182	142.40	12	4.50		
0.77	1349	1709	27	2.35			4.3	256	199.70	11	2.40	GFA59 GFAF59 GF59 GFF59	6P*
0.88	1179	1493	28	2.70	4.6	235	183.60	11	2.60				
1.0	1026	1300	28	3.10	5.4	201	157.09	11	3.00				
1.1	906	1148	28	3.50	6.2	174	136.16	11	3.50				
					6.7	163	127.27	11	3.70				
0.50	2063	2613	13	0.85	GFA79R39 GFAF79R39 GF79R39 GFF79R39	4P	6.6	166	199.70	11	3.60	GFA59 GFAF59 GF59 GFF59	4P
0.57	1803	2284	15	0.90			7.1	153	183.60	11	3.90		
0.65	1603	2030	16	1.00			8.3	131	157.09	11	4.60		
							9.6	113	136.16	11	5.30		
							4.5	244	190.76	7.1	1.65		
0.76	1364	1728	17	1.15	GFA79R39 GFAF79R39 GF79R39 GFF79R39	4P	4.8	225	175.38	7.3	1.80	GFA49 GFAF49 GF49 GFF49	6P*
0.85	1219	1544	17	1.30			5.7	192	150.06	7.4	2.10		
0.97	1069	1354	18	1.50			6.5	167	130.07	7.5	2.40		
1.1	947	1200	18	1.70			7.0	156	121.57	7.6	2.60		
1.2	831	1053	18	1.90			8.1	135	105.09	7.7	3.00		
1.4	718	910	19	2.20			9.5	114	89.29	7.7	3.50		
1.6	640	810	19	2.50			11	102	79.72	7.8	3.90		
1.8	561	710	19	2.85			6.9	159	190.76	7.6	2.50	GFA49 GFAF49 GF49 GFF49	4P
0.92	1128	1429	8.8	0.80	7.5	146	175.38	7.6	2.80				
1.0	1003	1271	10	0.85	8.7	125	150.06	7.7	3.20				
1.2	870	1102	11	1.00	10.1	108	130.07	7.7	3.70				
1.4	766	970	11	1.15	6.6	165	128.51	4.5	1.20				
1.5	677	858	12	1.30	GFA69R39 GFAF69R39 GF69R39 GFF69R39	4P	7.2	151	117.88	4.6	1.35	GFA39 GFAF39 GF39 GFF39	6P*
1.7	596	755	12	1.45			8.5	129	100.36	4.8	1.55		
2.0	506	641	12	1.70			9.8	111	86.53	4.9	1.80		
2.3	452	572	12	1.90			11	103	80.65	5.0	1.95		
2.6	402	509	12	2.15									
3.0	345	437	12	2.50									

*0.12kW (6P) 电机需特制。*0.12kW motor of 6 poles needs to be specially requested and then manufactured.

**选型参数表
(恒功率)**
**Selection Table
(Constant Power)**

n_a [r/min]	M_a [N.m]	i	F_{Ra} [kN]	f_B	机型号 Type size	极数 Pole	n_a [r/min]	M_a [N.m]	i	F_{Ra} [kN]	f_B	机型号 Type size	极数 Pole																																																																																																																																																																																																																																																																																																																																																																																																																																																																																																																																																																																																																																																																																																																																																																																																																																																																																																																												
0.12kW							0.18kW																																																																																																																																																																																																																																																																																																																																																																																																																																																																																																																																																																																																																																																																																																																																																																																																																																																																																																																																		
10	107	128.51	5.0	1.85	GFA39 GFAF39 GF39 GFF39	4P	1.5	1016	858	8.9	0.85	GFA69R39 GFAF69R39 GF69R39 GFF69R39	4P																																																																																																																																																																																																																																																																																																																																																																																																																																																																																																																																																																																																																																																																																																																																																																																																																																																																																																																												
11	98	117.88	5.0	2.00			13	83	100.36	5.1	2.40			15	72	86.53	5.1	2.80	16	67	80.65	5.1	3.00	0.18kW							0.18kW							0.10	15291	12912	83	0.80	GFA129R79 GFAF129R79 GF129R79 GFF129R79	4P	2.6	592	500	11	1.45	GFA69R39 GFAF69R39 GF69R39 GFF69R39	4P	0.11	13788	11643	86	0.90	0.13	12056	10180	86	1.05	0.15	10448	8822	86	1.20	0.17	9041	7634	86	1.40	0.20	7944	6708	86	1.60	0.15	10123	8548	45	0.80	GFA109R79 GFAF109R79 GF109R79 GFF109R79	4P	2.3	661	558	8.6	0.95	GFA59R39 GFAF59R39 GF59R39 GFF59R39	4P	0.17	9089	7675	46	0.90	0.19	8015	6768	49	1.05	0.22	7051	5954	51	1.15	0.25	6185	5223	53	1.35	0.29	5409	4567	54	1.55	0.37	4170	3521	56	2.00	0.43	3597	3037	57	2.30	GFA109R79 GFAF109R79 GF109R79 GFF109R79	4P	3.1	505	426	10	1.25	GFA59R39 GFAF59R39 GF59R39 GFF59R39	4P	0.48	3264	2756	58	2.55	0.55	2806	2369	58	2.95	0.63	2449	2068	59	3.40						0.30	5131	4333	27	0.90	GFA99R59 GFAF99R59 GF99R59 GFF99R59	4P	3.4	452	382	10	1.40	GFA59R39 GFAF59R39 GF59R39 GFF59R39	4P	0.34	4626	3906	29	1.00	0.39	3970	3352	30	1.15	0.45	3443	2907	31	1.30	0.51	3023	2553	32	1.50	0.58	2659	2245	33	1.70	0.66	2333	1970	33	1.95	0.76	2041	1723	34	2.20	0.86	1810	1528	34	2.50	0.99	1572	1327	35	2.90	1.1	1387	1171	35	3.30	0.51	3050	2575	22	1.05	GFA99R59 GFAF99R59 GF99R59 GFF99R59	4P	3.5	438	370	5.6	0.95	GFA49R19 GFAF49R19 GF49R19 GFF49R19	4P	0.60	2604	2199	24	1.20	0.68	2286	1930	25	1.40	0.77	2024	1709	25	1.60	0.88	1768	1493	26	1.80	1.1	1360	1148	27	2.35	1.3	1196	1010	27	2.65	1.5	1050	887	28	3.00	1.7	924	780	28	3.45	0.85	1829	1544	13	0.85	GFA89R59 GFAF89R59 GF89R59	4P	3.9	396	334	5.9	1.05	GFA49R19 GFAF49R19 GF49R19 GFF49R19	4P	1.0	1604	1354	15	1.00	1.1	1421	1200	16	1.10	1.2	1247	1053	17	1.30	1.4	1078	910	17	1.50	1.6	959	810	18	1.65	1.8	841	710	18	1.90	2.1	728	615	18	2.20						GFA79R39 GFAF79R39 GF79R39 GFF79R39	4P	3.0	541	281.71	19	2.70	GFA79 GFAF79 GF79 GFF79	6P																										GFA69 GFAF69 GF69 GFF69	6P	3.2	505	262.93	19	2.90																										GFA69 GFAF69 GF69 GFF69	4P	3.8	434	225.79	19	3.40																										GFA69 GFAF69 GF69 GFF69	4P	3.7	440	228.99	12	1.80																										GFA69 GFAF69 GF69 GFF69	4P	4.4	375	195.39	12	2.10																										GFA69 GFAF69 GF69 GFF69	4P	5.0	328	170.85	12	2.40																										GFA69 GFAF69 GF69 GFF69	4P	5.7	285	228.99	12	2.80																										GFA69 GFAF69 GF69 GFF69	4P	6.7	244	195.39	12	3.20																										GFA69 GFAF69 GF69 GFF69	4P	7.7	213	170.85	12	3.70																										GFA59 GFAF59 GF59 GFF59	6P	4.3	384	199.70	10	1.50																										GFA59 GFAF59 GF59 GFF59	6P	4.6	353	183.60	10	1.65																										GFA59 GFAF59 GF59 GFF59	6P	5.4	302	157.09	11	1.95																										GFA59 GFAF59 GF59 GFF59	6P	6.2	262	136.16	11	2.20																										GFA59 GFAF59 GF59 GFF59	6P	6.7	245	127.27	11	2.40																										GFA59 GFAF59 GF59 GFF59	6P	7.7	211	110.01	11	2.80																																																																																																																										
13	83	100.36	5.1	2.40			15	72	86.53	5.1	2.80			16	67	80.65	5.1	3.00	0.18kW							0.18kW							0.10	15291	12912	83	0.80	GFA129R79 GFAF129R79 GF129R79 GFF129R79	4P	2.6	592	500			11	1.45	GFA69R39 GFAF69R39 GF69R39 GFF69R39	4P	0.11			13788	11643	86	0.90	0.13	12056	10180	86	1.05	0.15	10448	8822	86	1.20	0.17	9041	7634	86	1.40	0.20	7944	6708	86	1.60	0.15	10123	8548	45	0.80	GFA109R79 GFAF109R79 GF109R79 GFF109R79			4P	2.3	661	558	8.6			0.95	GFA59R39 GFAF59R39 GF59R39 GFF59R39	4P	0.17	9089	7675	46	0.90	0.19	8015	6768	49	1.05	0.22	7051	5954	51	1.15	0.25	6185	5223	53	1.35	0.29	5409	4567	54	1.55	0.37	4170	3521	56	2.00	0.43	3597			3037	57	2.30	GFA109R79 GFAF109R79 GF109R79 GFF109R79	4P			3.1	505	426	10	1.25	GFA59R39 GFAF59R39 GF59R39 GFF59R39	4P	0.48	3264	2756	58	2.55	0.55	2806	2369	58	2.95	0.63	2449	2068	59	3.40								0.30	5131	4333			27	0.90	GFA99R59 GFAF99R59 GF99R59 GFF99R59	4P	3.4	452	382	10	1.40	GFA59R39 GFAF59R39 GF59R39 GFF59R39	4P	0.34	4626	3906	29	1.00	0.39	3970	3352	30	1.15	0.45	3443	2907	31	1.30	0.51	3023	2553	32	1.50	0.58	2659	2245	33	1.70	0.66	2333	1970	33	1.95	0.76	2041	1723	34	2.20	0.86	1810	1528	34	2.50	0.99	1572	1327	35			2.90	1.1	1387	1171	35			3.30	0.51	3050	2575	22	1.05	GFA99R59 GFAF99R59 GF99R59 GFF99R59	4P	3.5	438	370	5.6	0.95	GFA49R19 GFAF49R19 GF49R19 GFF49R19	4P	0.60	2604	2199	24	1.20	0.68	2286	1930	25	1.40	0.77	2024	1709	25	1.60	0.88	1768	1493	26	1.80	1.1	1360	1148	27	2.35	1.3	1196	1010	27	2.65			1.5	1050	887	28	3.00			1.7	924	780	28	3.45	0.85	1829	1544	13	0.85	GFA89R59 GFAF89R59 GF89R59	4P	3.9	396	334	5.9	1.05	GFA49R19 GFAF49R19 GF49R19 GFF49R19	4P	1.0	1604	1354	15	1.00	1.1	1421	1200	16	1.10	1.2	1247	1053	17	1.30	1.4	1078	910	17	1.50	1.6			959	810	18	1.65	1.8			841	710	18	1.90	2.1	728	615	18	2.20						GFA79R39 GFAF79R39 GF79R39 GFF79R39	4P	3.0	541	281.71	19	2.70	GFA79 GFAF79 GF79 GFF79	6P																												GFA69 GFAF69 GF69 GFF69	6P	3.2	505	262.93	19	2.90																												GFA69 GFAF69 GF69 GFF69	4P	3.8	434	225.79			19	3.40																										GFA69 GFAF69 GF69 GFF69	4P	3.7			440	228.99	12	1.80																										GFA69 GFAF69 GF69 GFF69			4P	4.4	375	195.39	12	2.10																												GFA69 GFAF69 GF69 GFF69	4P	5.0	328	170.85	12	2.40																												GFA69 GFAF69 GF69 GFF69	4P	5.7	285	228.99	12	2.80																												GFA69 GFAF69 GF69 GFF69	4P	6.7	244	195.39	12	3.20																												GFA69 GFAF69 GF69 GFF69	4P	7.7	213	170.85	12	3.70																												GFA59 GFAF59 GF59 GFF59	6P	4.3	384	199.70	10	1.50																												GFA59 GFAF59 GF59 GFF59	6P	4.6	353	183.60	10	1.65																												GFA59 GFAF59 GF59 GFF59	6P	5.4	302	157.09	11	1.95																												GFA59 GFAF59 GF59 GFF59	6P	6.2	262	136.16	11	2.20																												GFA59 GFAF59 GF59 GFF59	6P	6.7	245	127.27	11	2.40																										GFA59 GFAF59 GF59 GFF59	6P	7.7	211	110.01	11	2.80																																																																							
15	72	86.53	5.1	2.80			16	67	80.65	5.1	3.00			0.18kW							0.18kW							0.10	15291	12912	83	0.80	GFA129R79 GFAF129R79 GF129R79 GFF129R79	4P	2.6	592	500			11	1.45	GFA69R39 GFAF69R39 GF69R39 GFF69R39			4P	0.11			13788			11643	86	0.90	0.13	12056	10180	86	1.05	0.15	10448	8822	86	1.20	0.17	9041	7634	86	1.40	0.20	7944	6708	86	1.60	0.15	10123	8548	45	0.80	GFA109R79 GFAF109R79 GF109R79 GFF109R79					4P	2.3	661	558			8.6			0.95	GFA59R39 GFAF59R39 GF59R39 GFF59R39	4P	0.17	9089	7675	46	0.90	0.19	8015	6768	49	1.05	0.22	7051	5954	51	1.15	0.25	6185	5223	53	1.35	0.29	5409	4567	54	1.55	0.37	4170	3521	56			2.00	0.43	3597					3037	57	2.30	GFA109R79 GFAF109R79 GF109R79 GFF109R79	4P			3.1	505	426	10	1.25	GFA59R39 GFAF59R39 GF59R39 GFF59R39	4P	0.48	3264	2756	58	2.55	0.55	2806	2369	58	2.95	0.63			2449	2068	59	3.40										0.30	5131	4333			27	0.90	GFA99R59 GFAF99R59 GF99R59 GFF99R59	4P	3.4	452	382	10	1.40	GFA59R39 GFAF59R39 GF59R39 GFF59R39	4P	0.34	4626	3906	29	1.00	0.39	3970	3352	30	1.15	0.45	3443	2907	31	1.30	0.51	3023	2553	32	1.50	0.58	2659	2245	33	1.70	0.66	2333	1970	33	1.95	0.76	2041	1723			34	2.20	0.86	1810	1528			34	2.50	0.99	1572	1327	35			2.90	1.1	1387	1171	35			3.30	0.51	3050	2575	22	1.05	GFA99R59 GFAF99R59 GF99R59 GFF99R59	4P	3.5	438	370	5.6	0.95	GFA49R19 GFAF49R19 GF49R19 GFF49R19	4P	0.60	2604	2199	24	1.20	0.68	2286	1930	25	1.40	0.77	2024	1709	25	1.60			0.88	1768	1493	26	1.80			1.1	1360	1148	27	2.35	1.3	1196	1010	27	2.65			1.5	1050	887	28	3.00			1.7	924	780	28	3.45	0.85	1829	1544	13	0.85	GFA89R59 GFAF89R59 GF89R59	4P	3.9	396	334	5.9	1.05	GFA49R19 GFAF49R19 GF49R19 GFF49R19	4P	1.0	1604			1354	15	1.00	1.1	1421			1200	16	1.10	1.2	1247	1053	17	1.30	1.4	1078	910	17	1.50	1.6			959	810	18	1.65	1.8			841	710			18	1.90	2.1	728	615	18	2.20						GFA79R39 GFAF79R39 GF79R39 GFF79R39	4P	3.0	541	281.71	19	2.70	GFA79 GFAF79 GF79 GFF79	6P																														GFA69 GFAF69 GF69 GFF69	6P	3.2	505	262.93	19	2.90																														GFA69 GFAF69 GF69 GFF69	4P	3.8	434	225.79			19			3.40																										GFA69 GFAF69 GF69 GFF69	4P	3.7					440	228.99	12	1.80																												GFA69 GFAF69 GF69 GFF69			4P	4.4	375	195.39	12	2.10																														GFA69 GFAF69 GF69 GFF69	4P	5.0	328	170.85	12	2.40																														GFA69 GFAF69 GF69 GFF69	4P	5.7	285	228.99	12	2.80																														GFA69 GFAF69 GF69 GFF69	4P	6.7	244	195.39	12	3.20																														GFA69 GFAF69 GF69 GFF69	4P	7.7	213	170.85	12	3.70																														GFA59 GFAF59 GF59 GFF59	6P	4.3	384	199.70	10	1.50																														GFA59 GFAF59 GF59 GFF59	6P	4.6	353			183.60	10	1.65																														GFA59 GFAF59 GF59 GFF59	6P	5.4	302	157.09	11	1.95																												GFA59 GFAF59 GF59 GFF59	6P	6.2	262	136.16	11	2.20																												GFA59 GFAF59 GF59 GFF59	6P	6.7	245	127.27	11	2.40																										GFA59 GFAF59 GF59 GFF59	6P	7.7	211	110.01	11	2.80																				
16	67	80.65	5.1	3.00																																																																																																																																																																																																																																																																																																																																																																																																																																																																																																																																																																																																																																																																																																																																																																																																																																																																																																																																					
0.18kW							0.18kW																																																																																																																																																																																																																																																																																																																																																																																																																																																																																																																																																																																																																																																																																																																																																																																																																																																																																																																																		
0.10	15291	12912	83	0.80	GFA129R79 GFAF129R79 GF129R79 GFF129R79	4P	2.6	592	500	11	1.45	GFA69R39 GFAF69R39 GF69R39 GFF69R39	4P																																																																																																																																																																																																																																																																																																																																																																																																																																																																																																																																																																																																																																																																																																																																																																																																																																																																																																																												
0.11	13788	11643	86	0.90			0.13	12056	10180	86	1.05			0.15	10448	8822	86	1.20	0.17	9041	7634	86	1.40	0.20	7944	6708	86	1.60	0.15	10123	8548	45			0.80	GFA109R79 GFAF109R79 GF109R79 GFF109R79	4P	2.3	661	558	8.6		0.95	GFA59R39 GFAF59R39 GF59R39 GFF59R39		4P	0.17	9089	7675	46	0.90	0.19	8015	6768	49	1.05	0.22	7051	5954	51	1.15	0.25	6185	5223	53	1.35	0.29	5409	4567	54	1.55	0.37	4170	3521	56	2.00	0.43	3597	3037		57	2.30	GFA109R79 GFAF109R79 GF109R79 GFF109R79	4P		3.1	505	426	10	1.25	GFA59R39 GFAF59R39 GF59R39 GFF59R39	4P	0.48	3264			2756	58	2.55	0.55	2806	2369	58	2.95	0.63	2449	2068	59	3.40						0.30	5131	4333	27	0.90	GFA99R59 GFAF99R59 GF99R59 GFF99R59	4P	3.4	452	382	10	1.40	GFA59R39 GFAF59R39 GF59R39 GFF59R39	4P	0.34	4626	3906	29	1.00	0.39	3970	3352	30			1.15	0.45	3443	2907	31	1.30	0.51			3023	2553	32	1.50	0.58	2659	2245	33	1.70	0.66	2333	1970	33	1.95	0.76	2041	1723	34	2.20	0.86	1810	1528	34	2.50	0.99	1572	1327	35	2.90	1.1	1387	1171	35			3.30	0.51	3050	2575	22			1.05	GFA99R59 GFAF99R59 GF99R59 GFF99R59	4P	3.5	438	370	5.6	0.95	GFA49R19 GFAF49R19 GF49R19 GFF49R19	4P	0.60	2604	2199	24	1.20	0.68	2286	1930	25	1.40	0.77	2024	1709	25	1.60	0.88	1768	1493	26	1.80	1.1	1360	1148	27	2.35	1.3	1196	1010	27	2.65	1.5	1050	887	28	3.00	1.7	924	780	28	3.45	0.85	1829	1544	13	0.85	GFA89R59 GFAF89R59 GF89R59	4P	3.9	396	334	5.9	1.05	GFA49R19 GFAF49R19 GF49R19 GFF49R19			4P	1.0	1604	1354	15			1.00	1.1	1421	1200	16	1.10	1.2	1247	1053	17	1.30	1.4	1078	910	17	1.50	1.6	959	810	18	1.65	1.8	841	710	18	1.90	2.1	728	615	18	2.20						GFA79R39 GFAF79R39 GF79R39 GFF79R39	4P	3.0	541	281.71	19	2.70	GFA79 GFAF79 GF79 GFF79	6P																														GFA69 GFAF69 GF69 GFF69	6P	3.2	505	262.93	19	2.90																										GFA69 GFAF69 GF69 GFF69	4P	3.8	434	225.79	19			3.40																												GFA69 GFAF69 GF69 GFF69	4P	3.7	440	228.99	12	1.80																												GFA69 GFAF69 GF69 GFF69	4P	4.4	375	195.39	12	2.10																												GFA69 GFAF69 GF69 GFF69	4P	5.0	328	170.85	12	2.40																												GFA69 GFAF69 GF69 GFF69	4P	5.7	285	228.99	12	2.80																												GFA69 GFAF69 GF69 GFF69	4P	6.7	244	195.39	12	3.20																												GFA69 GFAF69 GF69 GFF69	4P	7.7	213	170.85	12	3.70																												GFA59 GFAF59 GF59 GFF59	6P	4.3	384	199.70	10	1.50																												GFA59 GFAF59 GF59 GFF59	6P	4.6	353	183.60	10	1.65																												GFA59 GFAF59 GF59 GFF59	6P	5.4	302	157.09	11	1.95																												GFA59 GFAF59 GF59 GFF59	6P	6.2	262	136.16	11	2.20																												GFA59 GFAF59 GF59 GFF59	6P	6.7	245	127.27	11	2.40																										GFA59 GFAF59 GF59 GFF59	6P			7.7	211	110.01	11	2.80																																																																																																																								
0.13	12056	10180	86	1.05			0.15	10448	8822	86	1.20			0.17	9041	7634	86	1.40	0.20	7944	6708	86	1.60	0.15	10123	8548	45	0.80	GFA109R79 GFAF109R79 GF109R79 GFF109R79	4P	2.3	661	558	8.6	0.95			GFA59R39 GFAF59R39 GF59R39 GFF59R39	4P	0.17	9089	7675	46		0.90		0.19	8015	6768	49	1.05	0.22	7051	5954	51	1.15	0.25	6185	5223	53	1.35	0.29	5409	4567	54	1.55	0.37	4170	3521	56	2.00	0.43	3597	3037	57	2.30	GFA109R79 GFAF109R79 GF109R79 GFF109R79	4P	3.1	505	426	10			1.25	GFA59R39 GFAF59R39 GF59R39 GFF59R39	4P	0.48	3264	2756			58	2.55	0.55	2806	2369	58	2.95	0.63	2449	2068	59	3.40						0.30	5131	4333	27	0.90	GFA99R59 GFAF99R59 GF99R59 GFF99R59	4P	3.4	452	382			10	1.40	GFA59R39 GFAF59R39 GF59R39 GFF59R39	4P	0.34			4626	3906	29	1.00	0.39	3970	3352	30	1.15	0.45	3443	2907	31	1.30	0.51	3023	2553	32	1.50	0.58	2659	2245	33	1.70	0.66	2333	1970	33	1.95	0.76	2041	1723	34	2.20	0.86	1810	1528	34	2.50	0.99	1572	1327	35	2.90	1.1	1387	1171	35	3.30	0.51	3050	2575	22	1.05	GFA99R59 GFAF99R59 GF99R59 GFF99R59	4P	3.5	438	370	5.6	0.95	GFA49R19 GFAF49R19 GF49R19 GFF49R19	4P			0.60	2604	2199	24	1.20			0.68	2286	1930	25	1.40	0.77	2024	1709	25	1.60	0.88	1768	1493	26	1.80	1.1	1360	1148	27	2.35	1.3	1196	1010	27	2.65	1.5	1050	887	28	3.00	1.7	924	780	28	3.45	0.85	1829	1544	13	0.85	GFA89R59 GFAF89R59 GF89R59	4P	3.9	396	334			5.9	1.05	GFA49R19 GFAF49R19 GF49R19 GFF49R19	4P	1.0		1604	1354		15	1.00	1.1	1421	1200	16	1.10	1.2	1247	1053	17	1.30	1.4	1078	910	17	1.50	1.6	959	810	18	1.65	1.8	841	710	18	1.90	2.1	728	615	18	2.20						GFA79R39 GFAF79R39 GF79R39 GFF79R39	4P	3.0	541	281.71			19	2.70	GFA79 GFAF79 GF79 GFF79	6P																												GFA69 GFAF69 GF69 GFF69	6P	3.2	505	262.93			19	2.90																										GFA69 GFAF69 GF69 GFF69	4P	3.8			434	225.79	19	3.40																										GFA69 GFAF69 GF69 GFF69	4P	3.7	440	228.99			12	1.80																										GFA69 GFAF69 GF69 GFF69	4P	4.4	375	195.39			12	2.10																										GFA69 GFAF69 GF69 GFF69	4P	5.0	328	170.85			12	2.40																										GFA69 GFAF69 GF69 GFF69	4P	5.7	285	228.99			12	2.80																										GFA69 GFAF69 GF69 GFF69	4P	6.7	244	195.39			12	3.20																										GFA69 GFAF69 GF69 GFF69	4P	7.7	213	170.85			12	3.70																										GFA59 GFAF59 GF59 GFF59	6P	4.3	384	199.70			10	1.50																										GFA59 GFAF59 GF59 GFF59	6P	4.6	353	183.60			10	1.65																										GFA59 GFAF59 GF59 GFF59	6P	5.4	302	157.09			11	1.95																										GFA59 GFAF59 GF59 GFF59	6P	6.2	262	136.16			11	2.20																										GFA59 GFAF59 GF59 GFF59	6P	6.7	245	127.27			11	2.40																										GFA59 GFAF59 GF59 GFF59	6P	7.7			211	110.01	11	2.80																																																																																																																											
0.15	10448	8822	86	1.20			0.17	9041	7634	86	1.40			0.20	7944	6708	86	1.60	0.15	10123	8548	45	0.80	GFA109R79 GFAF109R79 GF109R79 GFF109R79	4P	2.3	661	558			8.6	0.95	GFA59R39 GFAF59R39 GF59R39 GFF59R39	4P	0.17					9089	7675	46	0.90		0.19		8015	6768	49	1.05	0.22	7051	5954	51	1.15	0.25	6185	5223	53	1.35	0.29	5409	4567	54	1.55	0.37	4170	3521	56	2.00	0.43	3597	3037	57	2.30	GFA109R79 GFAF109R79 GF109R79 GFF109R79			4P	3.1	505	426			10			1.25	GFA59R39 GFAF59R39 GF59R39 GFF59R39	4P			0.48	3264	2756	58	2.55	0.55	2806	2369	58	2.95	0.63	2449	2068	59	3.40						0.30	5131			4333	27	0.90			GFA99R59 GFAF99R59 GF99R59 GFF99R59	4P			3.4			452	382	10	1.40	GFA59R39 GFAF59R39 GF59R39 GFF59R39	4P	0.34	4626	3906	29	1.00	0.39	3970	3352	30	1.15	0.45	3443	2907	31	1.30	0.51	3023	2553	32	1.50	0.58	2659	2245	33	1.70	0.66	2333	1970	33	1.95	0.76	2041	1723	34	2.20	0.86	1810	1528	34	2.50	0.99	1572	1327	35	2.90	1.1	1387	1171			35	3.30	0.51	3050	2575					22	1.05	GFA99R59 GFAF99R59 GF99R59 GFF99R59	4P	3.5			438	370	5.6	0.95	GFA49R19 GFAF49R19 GF49R19 GFF49R19	4P	0.60	2604	2199	24	1.20	0.68	2286	1930	25	1.40	0.77	2024	1709	25	1.60	0.88	1768	1493	26	1.80	1.1	1360	1148	27	2.35	1.3	1196	1010	27	2.65	1.5	1050	887	28			3.00	1.7	924			780	28			3.45		0.85	1829		1544	13	0.85	GFA89R59 GFAF89R59 GF89R59	4P	3.9	396	334	5.9	1.05	GFA49R19 GFAF49R19 GF49R19 GFF49R19	4P	1.0	1604	1354	15	1.00	1.1	1421	1200	16	1.10	1.2	1247	1053	17	1.30	1.4	1078	910	17	1.50	1.6	959	810	18	1.65			1.8	841	710			18	1.90			2.1			728	615	18	2.20						GFA79R39 GFAF79R39 GF79R39 GFF79R39	4P	3.0	541	281.71	19	2.70	GFA79 GFAF79 GF79 GFF79	6P																														GFA69 GFAF69 GF69 GFF69	6P	3.2	505	262.93	19	2.90																														GFA69 GFAF69 GF69 GFF69	4P	3.8	434	225.79	19	3.40																														GFA69 GFAF69 GF69 GFF69	4P	3.7	440	228.99	12	1.80																														GFA69 GFAF69 GF69 GFF69	4P	4.4	375	195.39			12	2.10																												GFA69 GFAF69 GF69 GFF69	4P	5.0			328	170.85	12			2.40																										GFA69 GFAF69 GF69 GFF69			4P	5.7	285			228.99	12	2.80																												GFA69 GFAF69 GF69 GFF69	4P			6.7	244	195.39	12	3.20																														GFA69 GFAF69 GF69 GFF69	4P	7.7	213	170.85	12	3.70																														GFA59 GFAF59 GF59 GFF59	6P	4.3	384	199.70	10	1.50																														GFA59 GFAF59 GF59 GFF59	6P	4.6	353	183.60	10	1.65																														GFA59 GFAF59 GF59 GFF59	6P	5.4	302	157.09	11	1.95																														GFA59 GFAF59 GF59 GFF59	6P	6.2	262	136.16	11	2.20																														GFA59 GFAF59 GF59 GFF59	6P	6.7	245	127.27	11	2.40																										GFA59 GFAF59 GF59 GFF59	6P	7.7	211	110.01	11	2.80																																																																												
0.17	9041	7634	86	1.40																																																																																																																																																																																																																																																																																																																																																																																																																																																																																																																																																																																																																																																																																																																																																																																																																																																																																																																																					
0.20	7944	6708	86	1.60																																																																																																																																																																																																																																																																																																																																																																																																																																																																																																																																																																																																																																																																																																																																																																																																																																																																																																																																					
0.15	10123	8548	45	0.80	GFA109R79 GFAF109R79 GF109R79 GFF109R79	4P	2.3	661	558	8.6	0.95	GFA59R39 GFAF59R39 GF59R39 GFF59R39	4P																																																																																																																																																																																																																																																																																																																																																																																																																																																																																																																																																																																																																																																																																																																																																																																																																																																																																																																												
0.17	9089	7675	46	0.90			0.19	8015	6768	49	1.05			0.22	7051	5954	51	1.15	0.25	6185	5223	53	1.35			0.29	5409	4567	54	1.55	0.37	4170			3521	56	2.00	0.43	3597	3037	57	2.30	GFA109R79 GFAF109R79 GF109R79 GFF109R79	4P	3.1	505	426	10	1.25	GFA59R39 GFAF59R39 GF59R39 GFF59R39	4P	0.48	3264	2756	58	2.55	0.55	2806	2369	58	2.95	0.63	2449	2068	59	3.40						0.30	5131	4333	27		0.90	GFA99R59 GFAF99R59 GF99R59 GFF99R59		4P	3.4	452	382	10	1.40	GFA59R39 GFAF59R39 GF59R39 GFF59R39	4P	0.34			4626	3906	29	1.00	0.39	3970	3352	30	1.15	0.45	3443	2907	31	1.30	0.51	3023	2553	32	1.50	0.58	2659	2245	33	1.70	0.66	2333	1970	33	1.95	0.76	2041			1723	34	2.20	0.86	1810	1528	34	2.50	0.99			1572	1327	35	2.90	1.1	1387	1171	35	3.30	0.51	3050	2575	22	1.05	GFA99R59 GFAF99R59 GF99R59 GFF99R59	4P	3.5	438	370	5.6	0.95	GFA49R19 GFAF49R19 GF49R19 GFF49R19	4P	0.60	2604	2199	24	1.20	0.68	2286	1930	25	1.40	0.77	2024	1709	25	1.60	0.88	1768	1493	26	1.80	1.1	1360	1148	27	2.35	1.3	1196	1010	27	2.65	1.5	1050	887	28	3.00	1.7	924	780			28	3.45	0.85	1829	1544	13	0.85			GFA89R59 GFAF89R59 GF89R59	4P	3.9	396	334	5.9	1.05	GFA49R19 GFAF49R19 GF49R19 GFF49R19	4P	1.0	1604	1354	15	1.00	1.1	1421	1200	16	1.10	1.2	1247	1053	17	1.30	1.4	1078	910	17	1.50	1.6	959	810	18	1.65	1.8	841	710	18	1.90	2.1	728	615	18	2.20						GFA79R39 GFAF79R39 GF79R39 GFF79R39	4P	3.0	541			281.71	19	2.70	GFA79 GFAF79 GF79 GFF79	6P																												GFA69 GFAF69 GF69 GFF69	6P	3.2	505	262.93	19	2.90																														GFA69 GFAF69 GF69 GFF69	4P	3.8	434	225.79	19	3.40																												GFA69 GFAF69 GF69 GFF69	4P	3.7	440	228.99	12	1.80																												GFA69 GFAF69 GF69 GFF69	4P	4.4	375	195.39	12	2.10																												GFA69 GFAF69 GF69 GFF69	4P	5.0	328	170.85	12	2.40																												GFA69 GFAF69 GF69 GFF69	4P	5.7	285	228.99	12	2.80																										GFA69 GFAF69 GF69 GFF69			4P	6.7	244	195.39	12	3.20																										GFA69 GFAF69 GF69 GFF69	4P	7.7		213	170.85		12	3.70																										GFA59 GFAF59 GF59 GFF59	6P	4.3	384	199.70	10	1.50																												GFA59 GFAF59 GF59 GFF59	6P	4.6	353	183.60	10	1.65																												GFA59 GFAF59 GF59 GFF59	6P	5.4	302	157.09	11	1.95																												GFA59 GFAF59 GF59 GFF59	6P	6.2	262	136.16	11	2.20																												GFA59 GFAF59 GF59 GFF59	6P	6.7	245	127.27	11	2.40																												GFA59 GFAF59 GF59 GFF59	6P	7.7	211	110.01	11	2.80																																																																																																																																																																			
0.19	8015	6768	49	1.05			0.22	7051	5954	51	1.15			0.25	6185	5223	53	1.35	0.29	5409	4567	54	1.55	0.37	4170	3521	56	2.00	0.43	3597	3037	57	2.30	GFA109R79 GFAF109R79 GF109R79 GFF109R79	4P	3.1	505	426	10	1.25	GFA59R39 GFAF59R39 GF59R39 GFF59R39	4P			0.48	3264	2756	58	2.55			0.55	2806	2369	58	2.95	0.63	2449	2068	59	3.40						0.30	5131	4333	27	0.90	GFA99R59 GFAF99R59 GF99R59 GFF99R59	4P	3.4	452	382	10		1.40		GFA59R39 GFAF59R39 GF59R39 GFF59R39	4P	0.34	4626	3906			29	1.00	0.39	3970	3352	30	1.15	0.45	3443	2907	31	1.30	0.51	3023	2553	32	1.50	0.58	2659	2245	33	1.70	0.66	2333	1970	33	1.95	0.76	2041	1723	34	2.20	0.86	1810	1528	34	2.50	0.99	1572	1327	35	2.90	1.1	1387	1171	35	3.30	0.51	3050	2575	22	1.05	GFA99R59 GFAF99R59 GF99R59 GFF99R59	4P	3.5	438	370	5.6	0.95	GFA49R19 GFAF49R19 GF49R19 GFF49R19	4P			0.60	2604	2199	24	1.20			0.68	2286	1930	25	1.40	0.77	2024	1709	25	1.60	0.88	1768	1493	26	1.80	1.1	1360	1148	27	2.35	1.3	1196	1010	27	2.65	1.5	1050	887	28	3.00	1.7	924	780	28	3.45	0.85	1829	1544	13	0.85	GFA89R59 GFAF89R59 GF89R59	4P	3.9	396	334	5.9	1.05	GFA49R19 GFAF49R19 GF49R19 GFF49R19	4P			1.0	1604	1354	15	1.00			1.1	1421	1200	16	1.10	1.2	1247	1053	17	1.30	1.4	1078	910	17	1.50	1.6	959	810	18	1.65	1.8	841	710	18	1.90	2.1	728	615	18	2.20						GFA79R39 GFAF79R39 GF79R39 GFF79R39	4P	3.0	541	281.71			19	2.70	GFA79 GFAF79 GF79 GFF79	6P																												GFA69 GFAF69 GF69 GFF69	6P	3.2	505	262.93			19	2.90																										GFA69 GFAF69 GF69 GFF69	4P	3.8	434	225.79	19	3.40																												GFA69 GFAF69 GF69 GFF69	4P	3.7	440	228.99	12	1.80																												GFA69 GFAF69 GF69 GFF69	4P	4.4	375	195.39	12	2.10																												GFA69 GFAF69 GF69 GFF69	4P	5.0	328	170.85	12	2.40																												GFA69 GFAF69 GF69 GFF69	4P	5.7	285	228.99	12	2.80																												GFA69 GFAF69 GF69 GFF69	4P	6.7	244	195.39		12	3.20																											GFA69 GFAF69 GF69 GFF69	4P	7.7	213	170.85			12	3.70																										GFA59 GFAF59 GF59 GFF59	6P	4.3	384	199.70			10	1.50																										GFA59 GFAF59 GF59 GFF59	6P	4.6	353	183.60			10	1.65																										GFA59 GFAF59 GF59 GFF59	6P	5.4	302	157.09			11	1.95																										GFA59 GFAF59 GF59 GFF59	6P	6.2	262	136.16			11	2.20																										GFA59 GFAF59 GF59 GFF59	6P	6.7	245	127.27			11	2.40																										GFA59 GFAF59 GF59 GFF59	6P	7.7	211	110.01			11	2.80																																																																																																																																																																						
0.22	7051	5954	51	1.15			0.25	6185	5223	53	1.35			0.29	5409	4567	54	1.55	0.37	4170	3521	56	2.00	0.43	3597	3037	57	2.30	GFA109R79 GFAF109R79 GF109R79 GFF109R79	4P	3.1	505	426			10	1.25	GFA59R39 GFAF59R39 GF59R39 GFF59R39	4P	0.48					3264	2756	58	2.55	0.55			2806	2369	58	2.95	0.63	2449	2068	59	3.40						0.30	5131	4333	27	0.90	GFA99R59 GFAF99R59 GF99R59 GFF99R59			4P	3.4	452	382		10				1.40	GFA59R39 GFAF59R39 GF59R39 GFF59R39	4P			0.34	4626	3906	29	1.00	0.39	3970	3352	30	1.15	0.45	3443	2907	31	1.30	0.51	3023	2553	32	1.50	0.58	2659	2245	33	1.70	0.66	2333	1970	33	1.95	0.76	2041	1723	34	2.20	0.86	1810	1528	34	2.50	0.99	1572	1327	35	2.90	1.1	1387	1171	35	3.30	0.51	3050			2575	22	1.05	GFA99R59 GFAF99R59 GF99R59 GFF99R59	4P					3.5	438	370	5.6	0.95			GFA49R19 GFAF49R19 GF49R19 GFF49R19	4P	0.60	2604	2199	24	1.20	0.68	2286	1930	25	1.40	0.77	2024	1709	25	1.60	0.88	1768	1493	26	1.80	1.1	1360	1148	27	2.35	1.3	1196	1010	27	2.65	1.5	1050	887	28	3.00	1.7	924	780			28	3.45	0.85	1829	1544					13	0.85	GFA89R59 GFAF89R59 GF89R59	4P	3.9			396	334	5.9	1.05	GFA49R19 GFAF49R19 GF49R19 GFF49R19	4P	1.0	1604	1354	15	1.00	1.1	1421	1200	16	1.10	1.2	1247	1053	17	1.30	1.4	1078	910	17	1.50	1.6	959	810	18	1.65	1.8	841	710	18			1.90	2.1	728			615	18			2.20								GFA79R39 GFAF79R39 GF79R39 GFF79R39	4P	3.0	541	281.71	19	2.70	GFA79 GFAF79 GF79 GFF79	6P																														GFA69 GFAF69 GF69 GFF69	6P	3.2	505	262.93	19	2.90																														GFA69 GFAF69 GF69 GFF69	4P	3.8	434	225.79	19	3.40																														GFA69 GFAF69 GF69 GFF69	4P	3.7	440	228.99	12	1.80																														GFA69 GFAF69 GF69 GFF69	4P	4.4	375	195.39	12	2.10																														GFA69 GFAF69 GF69 GFF69	4P	5.0	328	170.85	12	2.40																														GFA69 GFAF69 GF69 GFF69	4P	5.7	285	228.99			12	2.80																												GFA69 GFAF69 GF69 GFF69	4P	6.7			244	195.39	12			3.20																										GFA69 GFAF69 GF69 GFF69			4P	7.7	213			170.85	12	3.70																												GFA59 GFAF59 GF59 GFF59	6P			4.3	384	199.70	10	1.50																														GFA59 GFAF59 GF59 GFF59	6P	4.6	353	183.60	10	1.65																														GFA59 GFAF59 GF59 GFF59	6P	5.4	302	157.09	11	1.95																														GFA59 GFAF59 GF59 GFF59	6P	6.2	262	136.16	11	2.20																														GFA59 GFAF59 GF59 GFF59	6P	6.7	245	127.27	11	2.40																										GFA59 GFAF59 GF59 GFF59	6P	7.7	211	110.01	11	2.80																																																																																																																											
0.25	6185	5223	53	1.35																																																																																																																																																																																																																																																																																																																																																																																																																																																																																																																																																																																																																																																																																																																																																																																																																																																																																																																																					
0.29	5409	4567	54	1.55																																																																																																																																																																																																																																																																																																																																																																																																																																																																																																																																																																																																																																																																																																																																																																																																																																																																																																																																					
0.37	4170	3521	56	2.00																																																																																																																																																																																																																																																																																																																																																																																																																																																																																																																																																																																																																																																																																																																																																																																																																																																																																																																																					
0.43	3597	3037	57	2.30	GFA109R79 GFAF109R79 GF109R79 GFF109R79	4P	3.1	505	426	10	1.25	GFA59R39 GFAF59R39 GF59R39 GFF59R39	4P																																																																																																																																																																																																																																																																																																																																																																																																																																																																																																																																																																																																																																																																																																																																																																																																																																																																																																																												
0.48	3264	2756	58	2.55			0.55	2806	2369	58	2.95			0.63	2449	2068	59	3.40						0.30	5131	4333	27	0.90	GFA99R59 GFAF99R59 GF99R59 GFF99R59	4P	3.4	452	382	10	1.40	GFA59R39 GFAF59R39 GF59R39 GFF59R39	4P	0.34	4626	3906	29	1.00	0.39	3970	3352	30	1.15	0.45	3443	2907	31	1.30	0.51	3023	2553	32	1.50	0.58	2659	2245	33	1.70	0.66	2333	1970	33	1.95	0.76	2041	1723	34	2.20	0.86	1810	1528	34	2.50	0.99	1572	1327	35	2.90	1.1	1387	1171	35	3.30	0.51	3050	2575	22	1.05	GFA99R59 GFAF99R59 GF99R59 GFF99R59	4P	3.5	438	370	5.6	0.95	GFA49R19 GFAF49R19 GF49R19 GFF49R19	4P	0.60	2604	2199	24	1.20	0.68	2286	1930	25	1.40	0.77	2024	1709	25	1.60	0.88	1768	1493	26	1.80	1.1	1360	1148	27	2.35	1.3	1196	1010	27	2.65	1.5	1050	887	28	3.00	1.7	924	780	28	3.45	0.85	1829	1544	13	0.85	GFA89R59 GFAF89R59 GF89R59	4P	3.9	396	334	5.9	1.05	GFA49R19 GFAF49R19 GF49R19 GFF49R19	4P	1.0	1604	1354	15	1.00	1.1	1421	1200	16	1.10	1.2	1247	1053	17	1.30	1.4	1078	910	17	1.50	1.6	959	810	18	1.65	1.8	841	710	18	1.90	2.1	728	615	18	2.20						GFA79R39 GFAF79R39 GF79R39 GFF79R39	4P	3.0	541	281.71	19	2.70	GFA79 GFAF79 GF79 GFF79	6P																										GFA69 GFAF69 GF69 GFF69	6P	3.2	505	262.93	19	2.90																										GFA69 GFAF69 GF69 GFF69	4P	3.8	434	225.79	19	3.40																										GFA69 GFAF69 GF69 GFF69	4P	3.7	440	228.99	12	1.80																										GFA69 GFAF69 GF69 GFF69	4P	4.4	375	195.39	12	2.10																										GFA69 GFAF69 GF69 GFF69	4P	5.0	328	170.85	12	2.40																										GFA69 GFAF69 GF69 GFF69	4P	5.7	285	228.99	12	2.80																										GFA69 GFAF69 GF69 GFF69	4P	6.7	244	195.39	12	3.20																										GFA69 GFAF69 GF69 GFF69	4P	7.7	213	170.85	12	3.70																										GFA59 GFAF59 GF59 GFF59	6P	4.3	384	199.70	10	1.50																										GFA59 GFAF59 GF59 GFF59	6P	4.6	353	183.60	10	1.65																										GFA59 GFAF59 GF59 GFF59	6P	5.4	302	157.09	11	1.95																										GFA59 GFAF59 GF59 GFF59	6P	6.2	262	136.16	11	2.20																										GFA59 GFAF59 GF59 GFF59	6P	6.7	245	127.27	11	2.40																										GFA59 GFAF59 GF59 GFF59	6P	7.7	211	110.01	11	2.80																																																																																																																																																																																																																																																													
0.55	2806	2369	58	2.95			0.63	2449	2068	59	3.40								0.30	5131	4333	27	0.90	GFA99R59 GFAF99R59 GF99R59 GFF99R59	4P	3.4	452	382			10	1.40	GFA59R39 GFAF59R39 GF59R39 GFF59R39	4P	0.34			4626	3906	29	1.00	0.39	3970	3352	30	1.15	0.45	3443	2907	31	1.30	0.51	3023	2553	32	1.50	0.58	2659	2245	33	1.70	0.66	2333	1970	33	1.95	0.76	2041	1723	34	2.20	0.86	1810	1528	34	2.50	0.99	1572	1327	35	2.90	1.1	1387	1171	35	3.30	0.51	3050	2575	22	1.05	GFA99R59 GFAF99R59 GF99R59 GFF99R59			4P	3.5	438	370	5.6			0.95	GFA49R19 GFAF49R19 GF49R19 GFF49R19	4P	0.60	2604	2199	24	1.20	0.68	2286	1930	25	1.40	0.77	2024	1709	25	1.60	0.88	1768	1493	26	1.80	1.1	1360	1148	27	2.35	1.3	1196	1010	27	2.65	1.5	1050	887	28	3.00	1.7	924	780	28	3.45	0.85	1829			1544	13	0.85	GFA89R59 GFAF89R59 GF89R59	4P			3.9	396	334	5.9	1.05	GFA49R19 GFAF49R19 GF49R19 GFF49R19	4P	1.0	1604	1354	15	1.00	1.1	1421	1200	16	1.10	1.2	1247	1053	17	1.30	1.4	1078	910	17	1.50	1.6	959	810	18	1.65	1.8	841	710	18	1.90	2.1	728	615			18	2.20								GFA79R39 GFAF79R39 GF79R39 GFF79R39	4P	3.0	541	281.71	19	2.70	GFA79 GFAF79 GF79 GFF79	6P																												GFA69 GFAF69 GF69 GFF69	6P	3.2	505	262.93	19	2.90																												GFA69 GFAF69 GF69 GFF69	4P	3.8	434	225.79	19	3.40																												GFA69 GFAF69 GF69 GFF69	4P	3.7	440	228.99	12	1.80																												GFA69 GFAF69 GF69 GFF69	4P	4.4	375	195.39	12	2.10																												GFA69 GFAF69 GF69 GFF69	4P	5.0	328	170.85	12	2.40																												GFA69 GFAF69 GF69 GFF69	4P	5.7	285	228.99	12	2.80																												GFA69 GFAF69 GF69 GFF69	4P	6.7	244	195.39	12	3.20																												GFA69 GFAF69 GF69 GFF69	4P	7.7	213	170.85			12	3.70																										GFA59 GFAF59 GF59 GFF59	6P	4.3			384	199.70	10	1.50																										GFA59 GFAF59 GF59 GFF59			6P	4.6	353	183.60	10	1.65																												GFA59 GFAF59 GF59 GFF59	6P	5.4	302	157.09	11	1.95																												GFA59 GFAF59 GF59 GFF59	6P	6.2	262	136.16	11	2.20																												GFA59 GFAF59 GF59 GFF59	6P	6.7	245	127.27	11	2.40																										GFA59 GFAF59 GF59 GFF59	6P	7.7	211	110.01	11	2.80																																																																																																																																																																																																																						
0.63	2449	2068	59	3.40																																																																																																																																																																																																																																																																																																																																																																																																																																																																																																																																																																																																																																																																																																																																																																																																																																																																																																																																					
0.30	5131	4333	27	0.90	GFA99R59 GFAF99R59 GF99R59 GFF99R59	4P	3.4	452	382	10	1.40	GFA59R39 GFAF59R39 GF59R39 GFF59R39	4P																																																																																																																																																																																																																																																																																																																																																																																																																																																																																																																																																																																																																																																																																																																																																																																																																																																																																																																												
0.34	4626	3906	29	1.00			0.39	3970	3352	30	1.15			0.45	3443	2907	31	1.30	0.51	3023	2553	32	1.50			0.58	2659	2245	33	1.70	0.66	2333			1970	33	1.95	0.76	2041	1723	34	2.20	0.86	1810	1528	34	2.50	0.99	1572	1327	35	2.90	1.1	1387	1171	35	3.30	0.51	3050	2575	22	1.05	GFA99R59 GFAF99R59 GF99R59 GFF99R59	4P	3.5	438	370	5.6	0.95	GFA49R19 GFAF49R19 GF49R19 GFF49R19	4P	0.60	2604	2199	24	1.20	0.68	2286	1930	25	1.40	0.77	2024	1709	25	1.60	0.88	1768	1493	26	1.80		1.1	1360		1148	27	2.35	1.3	1196	1010	27			2.65	1.5	1050	887	28	3.00	1.7	924	780	28	3.45	0.85	1829	1544	13	0.85	GFA89R59 GFAF89R59 GF89R59	4P	3.9	396	334	5.9	1.05	GFA49R19 GFAF49R19 GF49R19 GFF49R19	4P	1.0	1604	1354	15	1.00	1.1	1421	1200	16	1.10	1.2	1247	1053	17	1.30	1.4	1078	910	17	1.50	1.6	959			810	18	1.65	1.8	841	710	18			1.90	2.1	728	615	18	2.20						GFA79R39 GFAF79R39 GF79R39 GFF79R39	4P	3.0	541	281.71	19	2.70	GFA79 GFAF79 GF79 GFF79	6P																												GFA69 GFAF69 GF69 GFF69	6P	3.2	505			262.93	19	2.90																												GFA69 GFAF69 GF69 GFF69	4P	3.8	434	225.79	19	3.40																												GFA69 GFAF69 GF69 GFF69	4P	3.7	440	228.99	12	1.80																												GFA69 GFAF69 GF69 GFF69	4P	4.4	375	195.39	12	2.10																												GFA69 GFAF69 GF69 GFF69	4P	5.0	328	170.85	12	2.40																												GFA69 GFAF69 GF69 GFF69	4P	5.7	285	228.99	12	2.80																												GFA69 GFAF69 GF69 GFF69	4P	6.7	244	195.39	12	3.20																												GFA69 GFAF69 GF69 GFF69	4P	7.7	213	170.85	12	3.70																												GFA59 GFAF59 GF59 GFF59	6P	4.3	384	199.70	10	1.50																												GFA59 GFAF59 GF59 GFF59	6P	4.6	353	183.60	10	1.65																											GFA59 GFAF59 GF59 GFF59		6P	5.4	302	157.09	11	1.95																										GFA59 GFAF59 GF59 GFF59			6P	6.2	262	136.16	11	2.20																										GFA59 GFAF59 GF59 GFF59			6P	6.7	245	127.27	11	2.40																										GFA59 GFAF59 GF59 GFF59			6P	7.7	211	110.01	11	2.80																																																																																																																																																																																																																																																					
0.39	3970	3352	30	1.15			0.45	3443	2907	31	1.30			0.51	3023	2553	32	1.50	0.58	2659	2245	33	1.70	0.66	2333	1970	33	1.95	0.76	2041	1723	34	2.20	0.86	1810	1528	34	2.50	0.99	1572	1327	35	2.90	1.1	1387	1171	35	3.30	0.51	3050	2575	22	1.05	GFA99R59 GFAF99R59 GF99R59 GFF99R59	4P	3.5	438	370	5.6	0.95	GFA49R19 GFAF49R19 GF49R19 GFF49R19	4P			0.60	2604	2199	24	1.20			0.68	2286	1930	25	1.40	0.77	2024	1709	25	1.60	0.88	1768	1493	26	1.80	1.1	1360	1148	27	2.35	1.3	1196	1010	27	2.65	1.5	1050	887	28	3.00	1.7	924	780	28	3.45	0.85	1829	1544	13	0.85	GFA89R59 GFAF89R59 GF89R59	4P	3.9	396	334	5.9	1.05	GFA49R19 GFAF49R19 GF49R19 GFF49R19	4P			1.0	1604	1354	15	1.00			1.1	1421	1200	16	1.10	1.2	1247	1053	17	1.30	1.4	1078	910	17	1.50	1.6	959	810	18	1.65	1.8	841	710	18	1.90	2.1	728	615	18	2.20						GFA79R39 GFAF79R39 GF79R39 GFF79R39	4P	3.0	541	281.71	19	2.70	GFA79 GFAF79 GF79 GFF79	6P																														GFA69 GFAF69 GF69 GFF69	6P	3.2	505	262.93	19	2.90																												GFA69 GFAF69 GF69 GFF69	4P	3.8	434	225.79	19	3.40																												GFA69 GFAF69 GF69 GFF69	4P	3.7	440	228.99	12	1.80																												GFA69 GFAF69 GF69 GFF69	4P	4.4	375	195.39	12	2.10																												GFA69 GFAF69 GF69 GFF69	4P	5.0	328	170.85	12	2.40																												GFA69 GFAF69 GF69 GFF69	4P	5.7	285	228.99	12	2.80																												GFA69 GFAF69 GF69 GFF69	4P	6.7	244	195.39	12	3.20																												GFA69 GFAF69 GF69 GFF69	4P	7.7	213	170.85	12	3.70																												GFA59 GFAF59 GF59 GFF59	6P	4.3	384	199.70	10	1.50																												GFA59 GFAF59 GF59 GFF59	6P	4.6	353	183.60	10	1.65																												GFA59 GFAF59 GF59 GFF59	6P	5.4	302	157.09	11	1.95																												GFA59 GFAF59 GF59 GFF59	6P	6.2	262	136.16	11	2.20																												GFA59 GFAF59 GF59 GFF59	6P	6.7	245	127.27	11	2.40																												GFA59 GFAF59 GF59 GFF59	6P	7.7	211	110.01	11	2.80																																																																																																																																																																																																																																																														
0.45	3443	2907	31	1.30			0.51	3023	2553	32	1.50			0.58	2659	2245	33	1.70	0.66	2333	1970	33	1.95	0.76	2041	1723	34	2.20	0.86	1810	1528	34	2.50	0.99	1572	1327	35	2.90	1.1	1387	1171	35	3.30	0.51	3050	2575	22	1.05	GFA99R59 GFAF99R59 GF99R59 GFF99R59	4P	3.5	438	370			5.6	0.95	GFA49R19 GFAF49R19 GF49R19 GFF49R19	4P	0.60					2604	2199	24	1.20	0.68			2286	1930	25	1.40	0.77	2024	1709	25	1.60	0.88	1768	1493	26	1.80	1.1	1360	1148	27	2.35	1.3	1196	1010	27	2.65	1.5	1050	887	28	3.00	1.7	924	780	28	3.45	0.85	1829	1544	13	0.85	GFA89R59 GFAF89R59 GF89R59			4P	3.9	396	334	5.9					1.05	GFA49R19 GFAF49R19 GF49R19 GFF49R19	4P	1.0	1604			1354	15	1.00	1.1	1421	1200	16	1.10	1.2	1247	1053	17	1.30	1.4	1078	910	17	1.50	1.6	959	810	18	1.65	1.8	841	710	18	1.90	2.1	728	615	18	2.20								GFA79R39 GFAF79R39 GF79R39 GFF79R39	4P					3.0	541	281.71	19	2.70			GFA79 GFAF79 GF79 GFF79	6P																														GFA69 GFAF69 GF69 GFF69	6P	3.2	505	262.93	19	2.90																														GFA69 GFAF69 GF69 GFF69	4P	3.8	434	225.79	19	3.40																														GFA69 GFAF69 GF69 GFF69	4P	3.7	440	228.99	12	1.80																														GFA69 GFAF69 GF69 GFF69	4P	4.4	375	195.39	12	2.10																														GFA69 GFAF69 GF69 GFF69	4P	5.0	328	170.85	12	2.40																														GFA69 GFAF69 GF69 GFF69	4P	5.7	285	228.99	12	2.80																														GFA69 GFAF69 GF69 GFF69	4P	6.7	244	195.39	12	3.20																														GFA69 GFAF69 GF69 GFF69	4P	7.7	213	170.85	12	3.70																														GFA59 GFAF59 GF59 GFF59	6P	4.3	384	199.70	10	1.50																														GFA59 GFAF59 GF59 GFF59	6P	4.6	353	183.60			10	1.65																												GFA59 GFAF59 GF59 GFF59	6P	5.4			302	157.09	11	1.95																												GFA59 GFAF59 GF59 GFF59			6P	6.2	262	136.16	11		2.20																													GFA59 GFAF59 GF59 GFF59	6P	6.7	245		127.27	11		2.40																										GFA59 GFAF59 GF59 GFF59	6P	7.7	211	110.01	11	2.80																																																																																																																																																																																																																									
0.51	3023	2553	32	1.50																																																																																																																																																																																																																																																																																																																																																																																																																																																																																																																																																																																																																																																																																																																																																																																																																																																																																																																																					
0.58	2659	2245	33	1.70																																																																																																																																																																																																																																																																																																																																																																																																																																																																																																																																																																																																																																																																																																																																																																																																																																																																																																																																					
0.66	2333	1970	33	1.95																																																																																																																																																																																																																																																																																																																																																																																																																																																																																																																																																																																																																																																																																																																																																																																																																																																																																																																																					
0.76	2041	1723	34	2.20																																																																																																																																																																																																																																																																																																																																																																																																																																																																																																																																																																																																																																																																																																																																																																																																																																																																																																																																					
0.86	1810	1528	34	2.50																																																																																																																																																																																																																																																																																																																																																																																																																																																																																																																																																																																																																																																																																																																																																																																																																																																																																																																																					
0.99	1572	1327	35	2.90																																																																																																																																																																																																																																																																																																																																																																																																																																																																																																																																																																																																																																																																																																																																																																																																																																																																																																																																					
1.1	1387	1171	35	3.30																																																																																																																																																																																																																																																																																																																																																																																																																																																																																																																																																																																																																																																																																																																																																																																																																																																																																																																																					
0.51	3050	2575	22	1.05	GFA99R59 GFAF99R59 GF99R59 GFF99R59	4P	3.5	438	370	5.6	0.95	GFA49R19 GFAF49R19 GF49R19 GFF49R19	4P																																																																																																																																																																																																																																																																																																																																																																																																																																																																																																																																																																																																																																																																																																																																																																																																																																																																																																																												
0.60	2604	2199	24	1.20			0.68	2286	1930	25	1.40			0.77	2024	1709	25	1.60	0.88	1768	1493	26	1.80	1.1	1360	1148	27	2.35	1.3	1196	1010	27	2.65	1.5	1050	887	28	3.00	1.7	924	780	28	3.45	0.85	1829	1544	13	0.85	GFA89R59 GFAF89R59 GF89R59	4P	3.9	396	334	5.9	1.05	GFA49R19 GFAF49R19 GF49R19 GFF49R19	4P	1.0	1604	1354	15	1.00	1.1	1421	1200	16	1.10	1.2	1247	1053	17	1.30	1.4	1078	910	17	1.50	1.6	959	810	18	1.65	1.8	841	710	18	1.90	2.1	728	615	18	2.20						GFA79R39 GFAF79R39 GF79R39 GFF79R39	4P	3.0	541	281.71	19	2.70	GFA79 GFAF79 GF79 GFF79	6P																										GFA69 GFAF69 GF69 GFF69	6P	3.2	505	262.93	19	2.90																										GFA69 GFAF69 GF69 GFF69	4P	3.8	434	225.79	19	3.40																										GFA69 GFAF69 GF69 GFF69	4P	3.7	440	228.99	12	1.80																										GFA69 GFAF69 GF69 GFF69	4P	4.4	375	195.39	12	2.10																										GFA69 GFAF69 GF69 GFF69	4P	5.0	328	170.85	12	2.40																										GFA69 GFAF69 GF69 GFF69	4P	5.7	285	228.99	12	2.80																										GFA69 GFAF69 GF69 GFF69	4P	6.7	244	195.39	12	3.20																										GFA69 GFAF69 GF69 GFF69	4P	7.7	213	170.85	12	3.70																										GFA59 GFAF59 GF59 GFF59	6P	4.3	384	199.70	10	1.50																										GFA59 GFAF59 GF59 GFF59	6P	4.6	353	183.60	10	1.65																										GFA59 GFAF59 GF59 GFF59	6P	5.4	302	157.09	11	1.95																										GFA59 GFAF59 GF59 GFF59	6P	6.2	262	136.16	11	2.20																										GFA59 GFAF59 GF59 GFF59	6P	6.7	245	127.27	11	2.40																										GFA59 GFAF59 GF59 GFF59	6P	7.7	211	110.01	11	2.80																																																																																																																																																																																																																																																																																																																																																															
0.68	2286	1930	25	1.40			0.77	2024	1709	25	1.60			0.88	1768	1493	26	1.80	1.1	1360	1148	27	2.35	1.3	1196	1010	27	2.65	1.5	1050	887	28	3.00	1.7	924	780	28	3.45	0.85	1829	1544	13	0.85	GFA89R59 GFAF89R59 GF89R59	4P	3.9	396	334			5.9	1.05	GFA49R19 GFAF49R19 GF49R19 GFF49R19	4P	1.0			1604	1354	15	1.00	1.1	1421	1200	16	1.10	1.2	1247	1053	17	1.30	1.4	1078	910	17	1.50	1.6	959	810	18	1.65	1.8	841	710	18	1.90	2.1	728	615	18	2.20						GFA79R39 GFAF79R39 GF79R39 GFF79R39			4P	3.0	541	281.71	19			2.70	GFA79 GFAF79 GF79 GFF79	6P																												GFA69 GFAF69 GF69 GFF69	6P	3.2	505	262.93	19	2.90																												GFA69 GFAF69 GF69 GFF69	4P	3.8	434	225.79	19	3.40																												GFA69 GFAF69 GF69 GFF69	4P	3.7	440	228.99	12	1.80																												GFA69 GFAF69 GF69 GFF69	4P	4.4	375	195.39	12	2.10																												GFA69 GFAF69 GF69 GFF69	4P	5.0	328	170.85	12	2.40																												GFA69 GFAF69 GF69 GFF69	4P	5.7	285	228.99	12	2.80																												GFA69 GFAF69 GF69 GFF69	4P	6.7	244	195.39	12	3.20																												GFA69 GFAF69 GF69 GFF69	4P	7.7	213	170.85	12	3.70																												GFA59 GFAF59 GF59 GFF59	6P	4.3	384	199.70	10	1.50																												GFA59 GFAF59 GF59 GFF59	6P	4.6	353	183.60	10	1.65																												GFA59 GFAF59 GF59 GFF59	6P	5.4	302	157.09	11	1.95																												GFA59 GFAF59 GF59 GFF59	6P	6.2	262	136.16			11	2.20																										GFA59 GFAF59 GF59 GFF59	6P	6.7			245	127.27	11	2.40																										GFA59 GFAF59 GF59 GFF59	6P	7.7	211	110.01	11	2.80																																																																																																																																																																																																																																																																																																																																
0.77	2024	1709	25	1.60			0.88	1768	1493	26	1.80			1.1	1360	1148	27	2.35	1.3	1196	1010	27	2.65	1.5	1050	887	28	3.00	1.7	924	780	28	3.45	0.85	1829	1544	13	0.85	GFA89R59 GFAF89R59 GF89R59	4P	3.9	396	334			5.9	1.05	GFA49R19 GFAF49R19 GF49R19 GFF49R19			4P	1.0			1604			1354	15	1.00	1.1	1421	1200	16	1.10	1.2	1247	1053	17	1.30	1.4	1078	910	17	1.50	1.6	959	810	18	1.65	1.8	841	710	18	1.90	2.1	728	615	18	2.20						GFA79R39 GFAF79R39 GF79R39 GFF79R39					4P	3.0	541	281.71			19			2.70	GFA79 GFAF79 GF79 GFF79	6P																														GFA69 GFAF69 GF69 GFF69	6P	3.2	505	262.93	19	2.90																														GFA69 GFAF69 GF69 GFF69	4P	3.8	434	225.79	19	3.40																														GFA69 GFAF69 GF69 GFF69	4P	3.7	440	228.99	12	1.80																														GFA69 GFAF69 GF69 GFF69	4P	4.4	375	195.39	12	2.10																														GFA69 GFAF69 GF69 GFF69	4P	5.0	328	170.85	12			2.40																												GFA69 GFAF69 GF69 GFF69	4P			5.7	285	228.99	12	2.80																														GFA69 GFAF69 GF69 GFF69	4P	6.7	244	195.39	12	3.20																														GFA69 GFAF69 GF69 GFF69	4P	7.7	213	170.85	12	3.70																														GFA59 GFAF59 GF59 GFF59	6P	4.3	384	199.70	10	1.50																														GFA59 GFAF59 GF59 GFF59	6P	4.6	353	183.60	10	1.65																														GFA59 GFAF59 GF59 GFF59	6P	5.4	302	157.09	11	1.95																														GFA59 GFAF59 GF59 GFF59	6P	6.2	262	136.16			11			2.20																										GFA59 GFAF59 GF59 GFF59	6P	6.7			245	127.27	11	2.40																										GFA59 GFAF59 GF59 GFF59	6P	7.7	211	110.01	11	2.80																																																																																																																																																																																																																																																																																																	
0.88	1768	1493	26	1.80																																																																																																																																																																																																																																																																																																																																																																																																																																																																																																																																																																																																																																																																																																																																																																																																																																																																																																																																					
1.1	1360	1148	27	2.35																																																																																																																																																																																																																																																																																																																																																																																																																																																																																																																																																																																																																																																																																																																																																																																																																																																																																																																																					
1.3	1196	1010	27	2.65																																																																																																																																																																																																																																																																																																																																																																																																																																																																																																																																																																																																																																																																																																																																																																																																																																																																																																																																					
1.5	1050	887	28	3.00																																																																																																																																																																																																																																																																																																																																																																																																																																																																																																																																																																																																																																																																																																																																																																																																																																																																																																																																					
1.7	924	780	28	3.45																																																																																																																																																																																																																																																																																																																																																																																																																																																																																																																																																																																																																																																																																																																																																																																																																																																																																																																																					
0.85	1829	1544	13	0.85	GFA89R59 GFAF89R59 GF89R59	4P	3.9	396	334	5.9	1.05	GFA49R19 GFAF49R19 GF49R19 GFF49R19	4P																																																																																																																																																																																																																																																																																																																																																																																																																																																																																																																																																																																																																																																																																																																																																																																																																																																																																																																												
1.0	1604	1354	15	1.00			1.1	1421	1200	16	1.10			1.2	1247	1053	17	1.30	1.4	1078	910	17	1.50	1.6	959	810	18	1.65	1.8	841	710	18	1.90	2.1	728	615	18	2.20						GFA79R39 GFAF79R39 GF79R39 GFF79R39	4P	3.0	541	281.71	19	2.70	GFA79 GFAF79 GF79 GFF79	6P																										GFA69 GFAF69 GF69 GFF69	6P	3.2	505	262.93	19	2.90																										GFA69 GFAF69 GF69 GFF69	4P	3.8	434	225.79	19	3.40																										GFA69 GFAF69 GF69 GFF69	4P	3.7	440	228.99	12	1.80																										GFA69 GFAF69 GF69 GFF69	4P	4.4	375	195.39	12	2.10																										GFA69 GFAF69 GF69 GFF69	4P	5.0	328	170.85	12	2.40																										GFA69 GFAF69 GF69 GFF69	4P	5.7	285	228.99	12	2.80																										GFA69 GFAF69 GF69 GFF69	4P	6.7	244	195.39	12	3.20																										GFA69 GFAF69 GF69 GFF69	4P	7.7	213	170.85	12	3.70																										GFA59 GFAF59 GF59 GFF59	6P	4.3	384	199.70	10	1.50																										GFA59 GFAF59 GF59 GFF59	6P	4.6	353	183.60	10	1.65																										GFA59 GFAF59 GF59 GFF59	6P	5.4	302	157.09	11	1.95																										GFA59 GFAF59 GF59 GFF59	6P	6.2	262	136.16	11	2.20																										GFA59 GFAF59 GF59 GFF59	6P	6.7	245	127.27	11	2.40																										GFA59 GFAF59 GF59 GFF59	6P	7.7	211	110.01	11	2.80																																																																																																																																																																																																																																																																																																																																																																																																																					
1.1	1421	1200	16	1.10			1.2	1247	1053	17	1.30			1.4	1078	910	17	1.50	1.6	959	810	18	1.65	1.8	841	710	18	1.90	2.1	728	615	18	2.20						GFA79R39 GFAF79R39 GF79R39 GFF79R39	4P	3.0	541	281.71			19	2.70	GFA79 GFAF79 GF79 GFF79	6P																												GFA69 GFAF69 GF69 GFF69			6P	3.2	505	262.93	19	2.90																												GFA69 GFAF69 GF69 GFF69	4P	3.8	434	225.79	19	3.40																												GFA69 GFAF69 GF69 GFF69	4P	3.7	440	228.99	12	1.80																												GFA69 GFAF69 GF69 GFF69	4P	4.4	375	195.39	12	2.10																												GFA69 GFAF69 GF69 GFF69	4P	5.0	328	170.85	12	2.40																												GFA69 GFAF69 GF69 GFF69	4P	5.7	285	228.99	12	2.80																												GFA69 GFAF69 GF69 GFF69	4P	6.7	244	195.39	12	3.20																												GFA69 GFAF69 GF69 GFF69	4P	7.7	213	170.85	12	3.70																												GFA59 GFAF59 GF59 GFF59	6P	4.3	384	199.70	10	1.50																												GFA59 GFAF59 GF59 GFF59	6P	4.6	353	183.60	10	1.65																												GFA59 GFAF59 GF59 GFF59	6P	5.4	302	157.09	11	1.95																												GFA59 GFAF59 GF59 GFF59	6P	6.2	262	136.16	11	2.20																												GFA59 GFAF59 GF59 GFF59	6P	6.7	245	127.27	11	2.40																												GFA59 GFAF59 GF59 GFF59	6P	7.7	211	110.01	11	2.80																																																																																																																																																																																																																																																																																																																																																																																										
1.2	1247	1053	17	1.30			1.4	1078	910	17	1.50			1.6	959	810	18	1.65	1.8	841	710	18	1.90	2.1	728	615	18	2.20						GFA79R39 GFAF79R39 GF79R39 GFF79R39	4P	3.0	541	281.71			19	2.70	GFA79 GFAF79 GF79 GFF79			6P																														GFA69 GFAF69 GF69 GFF69					6P	3.2	505	262.93	19	2.90																														GFA69 GFAF69 GF69 GFF69	4P	3.8	434	225.79	19	3.40																														GFA69 GFAF69 GF69 GFF69	4P	3.7	440	228.99	12	1.80																														GFA69 GFAF69 GF69 GFF69	4P	4.4	375	195.39	12	2.10																														GFA69 GFAF69 GF69 GFF69	4P	5.0	328	170.85	12	2.40																														GFA69 GFAF69 GF69 GFF69	4P	5.7	285	228.99	12	2.80																														GFA69 GFAF69 GF69 GFF69	4P	6.7	244	195.39	12			3.20																												GFA69 GFAF69 GF69 GFF69	4P			7.7	213	170.85	12	3.70																														GFA59 GFAF59 GF59 GFF59	6P	4.3	384	199.70	10	1.50																														GFA59 GFAF59 GF59 GFF59	6P	4.6	353	183.60	10	1.65																														GFA59 GFAF59 GF59 GFF59	6P	5.4	302	157.09	11	1.95																														GFA59 GFAF59 GF59 GFF59	6P	6.2	262	136.16	11	2.20																														GFA59 GFAF59 GF59 GFF59	6P	6.7	245	127.27	11	2.40																												GFA59 GFAF59 GF59 GFF59	6P	7.7	211	110.01	11	2.80																																																																																																																																																																																																																																																																																																																																																															
1.4	1078	910	17	1.50																																																																																																																																																																																																																																																																																																																																																																																																																																																																																																																																																																																																																																																																																																																																																																																																																																																																																																																																					
1.6	959	810	18	1.65																																																																																																																																																																																																																																																																																																																																																																																																																																																																																																																																																																																																																																																																																																																																																																																																																																																																																																																																					
1.8	841	710	18	1.90																																																																																																																																																																																																																																																																																																																																																																																																																																																																																																																																																																																																																																																																																																																																																																																																																																																																																																																																					
2.1	728	615	18	2.20																																																																																																																																																																																																																																																																																																																																																																																																																																																																																																																																																																																																																																																																																																																																																																																																																																																																																																																																					
					GFA79R39 GFAF79R39 GF79R39 GFF79R39	4P	3.0	541	281.71	19	2.70	GFA79 GFAF79 GF79 GFF79	6P																																																																																																																																																																																																																																																																																																																																																																																																																																																																																																																																																																																																																																																																																																																																																																																																																																																																																																																												
																													GFA69 GFAF69 GF69 GFF69	6P	3.2	505	262.93	19	2.90																										GFA69 GFAF69 GF69 GFF69	4P	3.8	434	225.79	19	3.40																										GFA69 GFAF69 GF69 GFF69	4P	3.7	440	228.99	12	1.80																										GFA69 GFAF69 GF69 GFF69	4P	4.4	375	195.39	12	2.10																										GFA69 GFAF69 GF69 GFF69	4P	5.0	328	170.85	12	2.40																										GFA69 GFAF69 GF69 GFF69	4P	5.7	285	228.99	12	2.80																										GFA69 GFAF69 GF69 GFF69	4P	6.7	244	195.39	12	3.20																										GFA69 GFAF69 GF69 GFF69	4P	7.7	213	170.85	12	3.70																										GFA59 GFAF59 GF59 GFF59	6P	4.3	384	199.70	10	1.50																										GFA59 GFAF59 GF59 GFF59	6P	4.6	353	183.60	10	1.65																										GFA59 GFAF59 GF59 GFF59	6P	5.4	302	157.09	11	1.95																										GFA59 GFAF59 GF59 GFF59	6P	6.2	262	136.16	11	2.20																										GFA59 GFAF59 GF59 GFF59	6P	6.7	245	127.27	11	2.40																										GFA59 GFAF59 GF59 GFF59	6P	7.7	211	110.01	11	2.80																																																																																																																																																																																																																																																																																																																																																																																																																																																																						
																								GFA69 GFAF69 GF69 GFF69	6P	3.2	505	262.93			19	2.90																										GFA69 GFAF69 GF69 GFF69	4P	3.8			434	225.79	19	3.40																										GFA69 GFAF69 GF69 GFF69			4P	3.7	440	228.99	12	1.80																												GFA69 GFAF69 GF69 GFF69	4P	4.4	375	195.39	12	2.10																												GFA69 GFAF69 GF69 GFF69	4P	5.0	328	170.85	12	2.40																												GFA69 GFAF69 GF69 GFF69	4P	5.7	285	228.99	12	2.80																												GFA69 GFAF69 GF69 GFF69	4P	6.7	244	195.39	12	3.20																												GFA69 GFAF69 GF69 GFF69	4P	7.7	213	170.85	12	3.70																												GFA59 GFAF59 GF59 GFF59	6P	4.3	384	199.70	10	1.50																												GFA59 GFAF59 GF59 GFF59	6P	4.6	353	183.60	10	1.65																												GFA59 GFAF59 GF59 GFF59	6P	5.4	302	157.09	11	1.95																												GFA59 GFAF59 GF59 GFF59	6P	6.2	262	136.16	11	2.20																												GFA59 GFAF59 GF59 GFF59	6P	6.7	245	127.27	11	2.40																												GFA59 GFAF59 GF59 GFF59	6P	7.7	211	110.01	11	2.80																																																																																																																																																																																																																																																																																																																																																																																																																																															
																			GFA69 GFAF69 GF69 GFF69	6P	3.2	505	262.93			19	2.90																												GFA69 GFAF69 GF69 GFF69	4P	3.8			434			225.79	19	3.40																										GFA69 GFAF69 GF69 GFF69					4P	3.7	440	228.99	12	1.80																														GFA69 GFAF69 GF69 GFF69	4P	4.4	375	195.39	12	2.10																														GFA69 GFAF69 GF69 GFF69	4P	5.0	328	170.85	12	2.40																														GFA69 GFAF69 GF69 GFF69	4P	5.7	285	228.99	12	2.80																														GFA69 GFAF69 GF69 GFF69	4P	6.7	244	195.39	12	3.20																														GFA69 GFAF69 GF69 GFF69	4P	7.7	213	170.85	12	3.70																														GFA59 GFAF59 GF59 GFF59	6P	4.3	384	199.70	10			1.50																												GFA59 GFAF59 GF59 GFF59	6P			4.6	353	183.60	10	1.65																														GFA59 GFAF59 GF59 GFF59	6P	5.4	302	157.09	11	1.95																														GFA59 GFAF59 GF59 GFF59	6P	6.2	262	136.16	11	2.20																														GFA59 GFAF59 GF59 GFF59	6P	6.7	245	127.27	11	2.40																												GFA59 GFAF59 GF59 GFF59	6P	7.7	211	110.01	11	2.80																																																																																																																																																																																																																																																																																																																																																																																																																								
					GFA69 GFAF69 GF69 GFF69	6P	3.2	505	262.93	19	2.90																																GFA69 GFAF69 GF69 GFF69	4P	3.8	434	225.79	19	3.40																																GFA69 GFAF69 GF69 GFF69	4P	3.7	440	228.99	12	1.80																																GFA69 GFAF69 GF69 GFF69	4P	4.4	375	195.39	12			2.10																																GFA69 GFAF69 GF69 GFF69	4P	5.0			328	170.85	12			2.40																														GFA69 GFAF69 GF69 GFF69	4P	5.7	285			228.99	12	2.80																														GFA69 GFAF69 GF69 GFF69	4P			6.7	244	195.39	12	3.20																																GFA69 GFAF69 GF69 GFF69	4P	7.7	213	170.85	12	3.70																																GFA59 GFAF59 GF59 GFF59	6P			4.3	384	199.70	10	1.50																																GFA59 GFAF59 GF59 GFF59	6P	4.6	353	183.60	10	1.65																																GFA59 GFAF59 GF59 GFF59	6P	5.4	302	157.09	11	1.95																																GFA59 GFAF59 GF59 GFF59	6P	6.2			262	136.16	11	2.20																																GFA59 GFAF59 GF59 GFF59	6P	6.7	245	127.27	11	2.40																												GFA59 GFAF59 GF59 GFF59	6P	7.7	211	110.01	11	2.80																																																																																																																																																																																																																																																																																																																																																																																																										
																															GFA69 GFAF69 GF69 GFF69	4P	3.8	434	225.79	19	3.40																																GFA69 GFAF69 GF69 GFF69	4P	3.7	440	228.99	12	1.80																																GFA69 GFAF69 GF69 GFF69	4P	4.4	375	195.39	12	2.10																																GFA69 GFAF69 GF69 GFF69	4P	5.0	328	170.85	12	2.40																																GFA69 GFAF69 GF69 GFF69	4P	5.7	285	228.99	12	2.80																																GFA69 GFAF69 GF69 GFF69	4P	6.7	244	195.39	12	3.20																																GFA69 GFAF69 GF69 GFF69	4P	7.7	213	170.85			12	3.70																														GFA59 GFAF59 GF59 GFF59			6P	4.3	384	199.70	10	1.50																																GFA59 GFAF59 GF59 GFF59	6P	4.6	353	183.60	10	1.65																																GFA59 GFAF59 GF59 GFF59	6P	5.4	302	157.09	11	1.95																																GFA59 GFAF59 GF59 GFF59	6P	6.2	262	136.16	11	2.20																																GFA59 GFAF59 GF59 GFF59	6P	6.7	245	127.27	11			2.40																														GFA59 GFAF59 GF59 GFF59	6P			7.7	211	110.01	11	2.80																																																																																																																																																																																																																																																																																																																																																																																																																								
																								GFA69 GFAF69 GF69 GFF69	4P	3.8	434	225.79	19	3.40																																GFA69 GFAF69 GF69 GFF69	4P	3.7	440	228.99	12	1.80																																GFA69 GFAF69 GF69 GFF69	4P	4.4	375	195.39	12	2.10																																GFA69 GFAF69 GF69 GFF69	4P	5.0	328	170.85	12	2.40																																GFA69 GFAF69 GF69 GFF69	4P	5.7	285	228.99	12	2.80																																GFA69 GFAF69 GF69 GFF69	4P	6.7	244	195.39	12	3.20																																GFA69 GFAF69 GF69 GFF69	4P	7.7	213	170.85	12	3.70																																GFA59 GFAF59 GF59 GFF59	6P	4.3	384	199.70	10	1.50																																GFA59 GFAF59 GF59 GFF59	6P	4.6	353	183.60	10	1.65																																GFA59 GFAF59 GF59 GFF59	6P	5.4	302	157.09	11	1.95																																GFA59 GFAF59 GF59 GFF59	6P	6.2	262	136.16	11	2.20																																GFA59 GFAF59 GF59 GFF59	6P	6.7	245	127.27	11	2.40																																GFA59 GFAF59 GF59 GFF59	6P	7.7	211	110.01	11	2.80																																																																																																																																																																																																																																																																																																																																																																																																																																			
																	GFA69 GFAF69 GF69 GFF69	4P	3.8	434	225.79	19	3.40																																GFA69 GFAF69 GF69 GFF69	4P	3.7	440	228.99	12	1.80																																GFA69 GFAF69 GF69 GFF69	4P	4.4	375	195.39	12	2.10																																GFA69 GFAF69 GF69 GFF69	4P	5.0	328	170.85	12	2.40																																GFA69 GFAF69 GF69 GFF69	4P	5.7	285	228.99	12	2.80																																GFA69 GFAF69 GF69 GFF69	4P	6.7	244	195.39	12	3.20																																GFA69 GFAF69 GF69 GFF69	4P	7.7	213	170.85	12	3.70																																GFA59 GFAF59 GF59 GFF59	6P	4.3	384	199.70	10	1.50																																GFA59 GFAF59 GF59 GFF59	6P	4.6	353	183.60	10	1.65																																GFA59 GFAF59 GF59 GFF59	6P	5.4	302	157.09	11	1.95																																GFA59 GFAF59 GF59 GFF59	6P	6.2	262	136.16	11	2.20																																GFA59 GFAF59 GF59 GFF59	6P	6.7	245	127.27	11	2.40																																GFA59 GFAF59 GF59 GFF59	6P	7.7	211	110.01	11	2.80																																																																																																																																																																																																																																																																																																																																																																																																																																										
					GFA69 GFAF69 GF69 GFF69	4P	3.8	434	225.79	19	3.40																																GFA69 GFAF69 GF69 GFF69	4P	3.7	440	228.99	12	1.80																																GFA69 GFAF69 GF69 GFF69	4P	4.4	375	195.39	12	2.10																																GFA69 GFAF69 GF69 GFF69	4P	5.0	328	170.85	12	2.40																																GFA69 GFAF69 GF69 GFF69	4P	5.7	285	228.99	12	2.80																																GFA69 GFAF69 GF69 GFF69	4P	6.7	244	195.39	12	3.20																																GFA69 GFAF69 GF69 GFF69	4P	7.7	213	170.85	12	3.70																																GFA59 GFAF59 GF59 GFF59	6P	4.3	384	199.70	10	1.50																																GFA59 GFAF59 GF59 GFF59	6P	4.6	353	183.60	10	1.65																																GFA59 GFAF59 GF59 GFF59	6P	5.4	302	157.09	11	1.95																																GFA59 GFAF59 GF59 GFF59	6P	6.2	262	136.16	11	2.20																																GFA59 GFAF59 GF59 GFF59	6P	6.7	245	127.27	11	2.40																																GFA59 GFAF59 GF59 GFF59	6P	7.7	211	110.01	11	2.80																																																																																																																																																																																																																																																																																																																																																																																																																																																						
																															GFA69 GFAF69 GF69 GFF69	4P	3.7	440	228.99	12	1.80																																GFA69 GFAF69 GF69 GFF69	4P	4.4	375	195.39	12	2.10																																GFA69 GFAF69 GF69 GFF69	4P	5.0	328	170.85	12	2.40																																GFA69 GFAF69 GF69 GFF69	4P	5.7	285	228.99	12	2.80																																GFA69 GFAF69 GF69 GFF69	4P	6.7	244	195.39	12	3.20																																GFA69 GFAF69 GF69 GFF69	4P	7.7	213	170.85	12	3.70																																GFA59 GFAF59 GF59 GFF59	6P	4.3	384	199.70	10	1.50																																GFA59 GFAF59 GF59 GFF59	6P	4.6	353	183.60	10	1.65																																GFA59 GFAF59 GF59 GFF59	6P	5.4	302	157.09	11	1.95																																GFA59 GFAF59 GF59 GFF59	6P	6.2	262	136.16	11	2.20																																GFA59 GFAF59 GF59 GFF59	6P	6.7	245	127.27	11	2.40																																GFA59 GFAF59 GF59 GFF59	6P	7.7	211	110.01	11	2.80																																																																																																																																																																																																																																																																																																																																																																																																																																																																		
																								GFA69 GFAF69 GF69 GFF69	4P	3.7	440	228.99	12	1.80																																GFA69 GFAF69 GF69 GFF69	4P	4.4	375	195.39	12	2.10																																GFA69 GFAF69 GF69 GFF69	4P	5.0	328	170.85	12	2.40																																GFA69 GFAF69 GF69 GFF69	4P	5.7	285	228.99	12	2.80																																GFA69 GFAF69 GF69 GFF69	4P	6.7	244	195.39	12	3.20																																GFA69 GFAF69 GF69 GFF69	4P	7.7	213	170.85	12	3.70																																GFA59 GFAF59 GF59 GFF59	6P	4.3	384	199.70	10	1.50																																GFA59 GFAF59 GF59 GFF59	6P	4.6	353	183.60	10	1.65																																GFA59 GFAF59 GF59 GFF59	6P	5.4	302	157.09	11	1.95																																GFA59 GFAF59 GF59 GFF59	6P	6.2	262	136.16	11	2.20																																GFA59 GFAF59 GF59 GFF59	6P	6.7	245	127.27	11	2.40																																GFA59 GFAF59 GF59 GFF59	6P	7.7	211	110.01	11	2.80																																																																																																																																																																																																																																																																																																																																																																																																																																																																									
																	GFA69 GFAF69 GF69 GFF69	4P	3.7	440	228.99	12	1.80																																GFA69 GFAF69 GF69 GFF69	4P	4.4	375	195.39	12	2.10																																GFA69 GFAF69 GF69 GFF69	4P	5.0	328	170.85	12	2.40																																GFA69 GFAF69 GF69 GFF69	4P	5.7	285	228.99	12	2.80																																GFA69 GFAF69 GF69 GFF69	4P	6.7	244	195.39	12	3.20																																GFA69 GFAF69 GF69 GFF69	4P	7.7	213	170.85	12	3.70																																GFA59 GFAF59 GF59 GFF59	6P	4.3	384	199.70	10	1.50																																GFA59 GFAF59 GF59 GFF59	6P	4.6	353	183.60	10	1.65																																GFA59 GFAF59 GF59 GFF59	6P	5.4	302	157.09	11	1.95																																GFA59 GFAF59 GF59 GFF59	6P	6.2	262	136.16	11	2.20																																GFA59 GFAF59 GF59 GFF59	6P	6.7	245	127.27	11	2.40																																GFA59 GFAF59 GF59 GFF59	6P	7.7	211	110.01	11	2.80																																																																																																																																																																																																																																																																																																																																																																																																																																																																																
					GFA69 GFAF69 GF69 GFF69	4P	3.7	440	228.99	12	1.80																																GFA69 GFAF69 GF69 GFF69	4P	4.4	375	195.39	12	2.10																																GFA69 GFAF69 GF69 GFF69	4P	5.0	328	170.85	12	2.40																																GFA69 GFAF69 GF69 GFF69	4P	5.7	285	228.99	12	2.80																																GFA69 GFAF69 GF69 GFF69	4P	6.7	244	195.39	12	3.20																																GFA69 GFAF69 GF69 GFF69	4P	7.7	213	170.85	12	3.70																																GFA59 GFAF59 GF59 GFF59	6P	4.3	384	199.70	10	1.50																																GFA59 GFAF59 GF59 GFF59	6P	4.6	353	183.60	10	1.65																																GFA59 GFAF59 GF59 GFF59	6P	5.4	302	157.09	11	1.95																																GFA59 GFAF59 GF59 GFF59	6P	6.2	262	136.16	11	2.20																																GFA59 GFAF59 GF59 GFF59	6P	6.7	245	127.27	11	2.40																																GFA59 GFAF59 GF59 GFF59	6P	7.7	211	110.01	11	2.80																																																																																																																																																																																																																																																																																																																																																																																																																																																																																												
																															GFA69 GFAF69 GF69 GFF69	4P	4.4	375	195.39	12	2.10																																GFA69 GFAF69 GF69 GFF69	4P	5.0	328	170.85	12	2.40																																GFA69 GFAF69 GF69 GFF69	4P	5.7	285	228.99	12	2.80																																GFA69 GFAF69 GF69 GFF69	4P	6.7	244	195.39	12	3.20																																GFA69 GFAF69 GF69 GFF69	4P	7.7	213	170.85	12	3.70																																GFA59 GFAF59 GF59 GFF59	6P	4.3	384	199.70	10	1.50																																GFA59 GFAF59 GF59 GFF59	6P	4.6	353	183.60	10	1.65																																GFA59 GFAF59 GF59 GFF59	6P	5.4	302	157.09	11	1.95																																GFA59 GFAF59 GF59 GFF59	6P	6.2	262	136.16	11	2.20																																GFA59 GFAF59 GF59 GFF59	6P	6.7	245	127.27	11	2.40																																GFA59 GFAF59 GF59 GFF59	6P	7.7	211	110.01	11	2.80																																																																																																																																																																																																																																																																																																																																																																																																																																																																																																								
																								GFA69 GFAF69 GF69 GFF69	4P	4.4	375	195.39	12	2.10																																GFA69 GFAF69 GF69 GFF69	4P	5.0	328	170.85	12	2.40																																GFA69 GFAF69 GF69 GFF69	4P	5.7	285	228.99	12	2.80																																GFA69 GFAF69 GF69 GFF69	4P	6.7	244	195.39	12	3.20																																GFA69 GFAF69 GF69 GFF69	4P	7.7	213	170.85	12	3.70																																GFA59 GFAF59 GF59 GFF59	6P	4.3	384	199.70	10	1.50																																GFA59 GFAF59 GF59 GFF59	6P	4.6	353	183.60	10	1.65																																GFA59 GFAF59 GF59 GFF59	6P	5.4	302	157.09	11	1.95																																GFA59 GFAF59 GF59 GFF59	6P	6.2	262	136.16	11	2.20																																GFA59 GFAF59 GF59 GFF59	6P	6.7	245	127.27	11	2.40																																GFA59 GFAF59 GF59 GFF59	6P	7.7	211	110.01	11	2.80																																																																																																																																																																																																																																																																																																																																																																																																																																																																																																															
																	GFA69 GFAF69 GF69 GFF69	4P	4.4	375	195.39	12	2.10																																GFA69 GFAF69 GF69 GFF69	4P	5.0	328	170.85	12	2.40																																GFA69 GFAF69 GF69 GFF69	4P	5.7	285	228.99	12	2.80																																GFA69 GFAF69 GF69 GFF69	4P	6.7	244	195.39	12	3.20																																GFA69 GFAF69 GF69 GFF69	4P	7.7	213	170.85	12	3.70																																GFA59 GFAF59 GF59 GFF59	6P	4.3	384	199.70	10	1.50																																GFA59 GFAF59 GF59 GFF59	6P	4.6	353	183.60	10	1.65																																GFA59 GFAF59 GF59 GFF59	6P	5.4	302	157.09	11	1.95																																GFA59 GFAF59 GF59 GFF59	6P	6.2	262	136.16	11	2.20																																GFA59 GFAF59 GF59 GFF59	6P	6.7	245	127.27	11	2.40																																GFA59 GFAF59 GF59 GFF59	6P	7.7	211	110.01	11	2.80																																																																																																																																																																																																																																																																																																																																																																																																																																																																																																																						
					GFA69 GFAF69 GF69 GFF69	4P	4.4	375	195.39	12	2.10																																GFA69 GFAF69 GF69 GFF69	4P	5.0	328	170.85	12	2.40																																GFA69 GFAF69 GF69 GFF69	4P	5.7	285	228.99	12	2.80																																GFA69 GFAF69 GF69 GFF69	4P	6.7	244	195.39	12	3.20																																GFA69 GFAF69 GF69 GFF69	4P	7.7	213	170.85	12	3.70																																GFA59 GFAF59 GF59 GFF59	6P	4.3	384	199.70	10	1.50																																GFA59 GFAF59 GF59 GFF59	6P	4.6	353	183.60	10	1.65																																GFA59 GFAF59 GF59 GFF59	6P	5.4	302	157.09	11	1.95																																GFA59 GFAF59 GF59 GFF59	6P	6.2	262	136.16	11	2.20																																GFA59 GFAF59 GF59 GFF59	6P	6.7	245	127.27	11	2.40																																GFA59 GFAF59 GF59 GFF59	6P	7.7	211	110.01	11	2.80																																																																																																																																																																																																																																																																																																																																																																																																																																																																																																																																		
																															GFA69 GFAF69 GF69 GFF69	4P	5.0	328	170.85	12	2.40																																GFA69 GFAF69 GF69 GFF69	4P	5.7	285	228.99	12	2.80																																GFA69 GFAF69 GF69 GFF69	4P	6.7	244	195.39	12	3.20																																GFA69 GFAF69 GF69 GFF69	4P	7.7	213	170.85	12	3.70																																GFA59 GFAF59 GF59 GFF59	6P	4.3	384	199.70	10	1.50																																GFA59 GFAF59 GF59 GFF59	6P	4.6	353	183.60	10	1.65																																GFA59 GFAF59 GF59 GFF59	6P	5.4	302	157.09	11	1.95																																GFA59 GFAF59 GF59 GFF59	6P	6.2	262	136.16	11	2.20																																GFA59 GFAF59 GF59 GFF59	6P	6.7	245	127.27	11	2.40																																GFA59 GFAF59 GF59 GFF59	6P	7.7	211	110.01	11	2.80																																																																																																																																																																																																																																																																																																																																																																																																																																																																																																																																														
																								GFA69 GFAF69 GF69 GFF69	4P	5.0	328	170.85	12	2.40																																GFA69 GFAF69 GF69 GFF69	4P	5.7	285	228.99	12	2.80																																GFA69 GFAF69 GF69 GFF69	4P	6.7	244	195.39	12	3.20																																GFA69 GFAF69 GF69 GFF69	4P	7.7	213	170.85	12	3.70																																GFA59 GFAF59 GF59 GFF59	6P	4.3	384	199.70	10	1.50																																GFA59 GFAF59 GF59 GFF59	6P	4.6	353	183.60	10	1.65																																GFA59 GFAF59 GF59 GFF59	6P	5.4	302	157.09	11	1.95																																GFA59 GFAF59 GF59 GFF59	6P	6.2	262	136.16	11	2.20																																GFA59 GFAF59 GF59 GFF59	6P	6.7	245	127.27	11	2.40																																GFA59 GFAF59 GF59 GFF59	6P	7.7	211	110.01	11	2.80																																																																																																																																																																																																																																																																																																																																																																																																																																																																																																																																																					
																	GFA69 GFAF69 GF69 GFF69	4P	5.0	328	170.85	12	2.40																																GFA69 GFAF69 GF69 GFF69	4P	5.7	285	228.99	12	2.80																																GFA69 GFAF69 GF69 GFF69	4P	6.7	244	195.39	12	3.20																																GFA69 GFAF69 GF69 GFF69	4P	7.7	213	170.85	12	3.70																																GFA59 GFAF59 GF59 GFF59	6P	4.3	384	199.70	10	1.50																																GFA59 GFAF59 GF59 GFF59	6P	4.6	353	183.60	10	1.65																																GFA59 GFAF59 GF59 GFF59	6P	5.4	302	157.09	11	1.95																																GFA59 GFAF59 GF59 GFF59	6P	6.2	262	136.16	11	2.20																																GFA59 GFAF59 GF59 GFF59	6P	6.7	245	127.27	11	2.40																																GFA59 GFAF59 GF59 GFF59	6P	7.7	211	110.01	11	2.80																																																																																																																																																																																																																																																																																																																																																																																																																																																																																																																																																												
					GFA69 GFAF69 GF69 GFF69	4P	5.0	328	170.85	12	2.40																																GFA69 GFAF69 GF69 GFF69	4P	5.7	285	228.99	12	2.80																																GFA69 GFAF69 GF69 GFF69	4P	6.7	244	195.39	12	3.20																																GFA69 GFAF69 GF69 GFF69	4P	7.7	213	170.85	12	3.70																																GFA59 GFAF59 GF59 GFF59	6P	4.3	384	199.70	10	1.50																																GFA59 GFAF59 GF59 GFF59	6P	4.6	353	183.60	10	1.65																																GFA59 GFAF59 GF59 GFF59	6P	5.4	302	157.09	11	1.95																																GFA59 GFAF59 GF59 GFF59	6P	6.2	262	136.16	11	2.20																																GFA59 GFAF59 GF59 GFF59	6P	6.7	245	127.27	11	2.40																																GFA59 GFAF59 GF59 GFF59	6P	7.7	211	110.01	11	2.80																																																																																																																																																																																																																																																																																																																																																																																																																																																																																																																																																																								
																															GFA69 GFAF69 GF69 GFF69	4P	5.7	285	228.99	12	2.80																																GFA69 GFAF69 GF69 GFF69	4P	6.7	244	195.39	12	3.20																																GFA69 GFAF69 GF69 GFF69	4P	7.7	213	170.85	12	3.70																																GFA59 GFAF59 GF59 GFF59	6P	4.3	384	199.70	10	1.50																																GFA59 GFAF59 GF59 GFF59	6P	4.6	353	183.60	10	1.65																																GFA59 GFAF59 GF59 GFF59	6P	5.4	302	157.09	11	1.95																																GFA59 GFAF59 GF59 GFF59	6P	6.2	262	136.16	11	2.20																																GFA59 GFAF59 GF59 GFF59	6P	6.7	245	127.27	11	2.40																																GFA59 GFAF59 GF59 GFF59	6P	7.7	211	110.01	11	2.80																																																																																																																																																																																																																																																																																																																																																																																																																																																																																																																																																																																				
																								GFA69 GFAF69 GF69 GFF69	4P	5.7	285	228.99	12	2.80																																GFA69 GFAF69 GF69 GFF69	4P	6.7	244	195.39	12	3.20																																GFA69 GFAF69 GF69 GFF69	4P	7.7	213	170.85	12	3.70																																GFA59 GFAF59 GF59 GFF59	6P	4.3	384	199.70	10	1.50																																GFA59 GFAF59 GF59 GFF59	6P	4.6	353	183.60	10	1.65																																GFA59 GFAF59 GF59 GFF59	6P	5.4	302	157.09	11	1.95																																GFA59 GFAF59 GF59 GFF59	6P	6.2	262	136.16	11	2.20																																GFA59 GFAF59 GF59 GFF59	6P	6.7	245	127.27	11	2.40																																GFA59 GFAF59 GF59 GFF59	6P	7.7	211	110.01	11	2.80																																																																																																																																																																																																																																																																																																																																																																																																																																																																																																																																																																																											
																	GFA69 GFAF69 GF69 GFF69	4P	5.7	285	228.99	12	2.80																																GFA69 GFAF69 GF69 GFF69	4P	6.7	244	195.39	12	3.20																																GFA69 GFAF69 GF69 GFF69	4P	7.7	213	170.85	12	3.70																																GFA59 GFAF59 GF59 GFF59	6P	4.3	384	199.70	10	1.50																																GFA59 GFAF59 GF59 GFF59	6P	4.6	353	183.60	10	1.65																																GFA59 GFAF59 GF59 GFF59	6P	5.4	302	157.09	11	1.95																																GFA59 GFAF59 GF59 GFF59	6P	6.2	262	136.16	11	2.20																																GFA59 GFAF59 GF59 GFF59	6P	6.7	245	127.27	11	2.40																																GFA59 GFAF59 GF59 GFF59	6P	7.7	211	110.01	11	2.80																																																																																																																																																																																																																																																																																																																																																																																																																																																																																																																																																																																																		
					GFA69 GFAF69 GF69 GFF69	4P	5.7	285	228.99	12	2.80																																GFA69 GFAF69 GF69 GFF69	4P	6.7	244	195.39	12	3.20																																GFA69 GFAF69 GF69 GFF69	4P	7.7	213	170.85	12	3.70																																GFA59 GFAF59 GF59 GFF59	6P	4.3	384	199.70	10	1.50																																GFA59 GFAF59 GF59 GFF59	6P	4.6	353	183.60	10	1.65																																GFA59 GFAF59 GF59 GFF59	6P	5.4	302	157.09	11	1.95																																GFA59 GFAF59 GF59 GFF59	6P	6.2	262	136.16	11	2.20																																GFA59 GFAF59 GF59 GFF59	6P	6.7	245	127.27	11	2.40																																GFA59 GFAF59 GF59 GFF59	6P	7.7	211	110.01	11	2.80																																																																																																																																																																																																																																																																																																																																																																																																																																																																																																																																																																																																														
																															GFA69 GFAF69 GF69 GFF69	4P	6.7	244	195.39	12	3.20																																GFA69 GFAF69 GF69 GFF69	4P	7.7	213	170.85	12	3.70																																GFA59 GFAF59 GF59 GFF59	6P	4.3	384	199.70	10	1.50																																GFA59 GFAF59 GF59 GFF59	6P	4.6	353	183.60	10	1.65																																GFA59 GFAF59 GF59 GFF59	6P	5.4	302	157.09	11	1.95																																GFA59 GFAF59 GF59 GFF59	6P	6.2	262	136.16	11	2.20																																GFA59 GFAF59 GF59 GFF59	6P	6.7	245	127.27	11	2.40																																GFA59 GFAF59 GF59 GFF59	6P	7.7	211	110.01	11	2.80																																																																																																																																																																																																																																																																																																																																																																																																																																																																																																																																																																																																																										
																								GFA69 GFAF69 GF69 GFF69	4P	6.7	244	195.39	12	3.20																																GFA69 GFAF69 GF69 GFF69	4P	7.7	213	170.85	12	3.70																																GFA59 GFAF59 GF59 GFF59	6P	4.3	384	199.70	10	1.50																																GFA59 GFAF59 GF59 GFF59	6P	4.6	353	183.60	10	1.65																																GFA59 GFAF59 GF59 GFF59	6P	5.4	302	157.09	11	1.95																																GFA59 GFAF59 GF59 GFF59	6P	6.2	262	136.16	11	2.20																																GFA59 GFAF59 GF59 GFF59	6P	6.7	245	127.27	11	2.40																																GFA59 GFAF59 GF59 GFF59	6P	7.7	211	110.01	11	2.80																																																																																																																																																																																																																																																																																																																																																																																																																																																																																																																																																																																																																																	
																	GFA69 GFAF69 GF69 GFF69	4P	6.7	244	195.39	12	3.20																																GFA69 GFAF69 GF69 GFF69	4P	7.7	213	170.85	12	3.70																																GFA59 GFAF59 GF59 GFF59	6P	4.3	384	199.70	10	1.50																																GFA59 GFAF59 GF59 GFF59	6P	4.6	353	183.60	10	1.65																																GFA59 GFAF59 GF59 GFF59	6P	5.4	302	157.09	11	1.95																																GFA59 GFAF59 GF59 GFF59	6P	6.2	262	136.16	11	2.20																																GFA59 GFAF59 GF59 GFF59	6P	6.7	245	127.27	11	2.40																																GFA59 GFAF59 GF59 GFF59	6P	7.7	211	110.01	11	2.80																																																																																																																																																																																																																																																																																																																																																																																																																																																																																																																																																																																																																																								
					GFA69 GFAF69 GF69 GFF69	4P	6.7	244	195.39	12	3.20																																GFA69 GFAF69 GF69 GFF69	4P	7.7	213	170.85	12	3.70																																GFA59 GFAF59 GF59 GFF59	6P	4.3	384	199.70	10	1.50																																GFA59 GFAF59 GF59 GFF59	6P	4.6	353	183.60	10	1.65																																GFA59 GFAF59 GF59 GFF59	6P	5.4	302	157.09	11	1.95																																GFA59 GFAF59 GF59 GFF59	6P	6.2	262	136.16	11	2.20																																GFA59 GFAF59 GF59 GFF59	6P	6.7	245	127.27	11	2.40																																GFA59 GFAF59 GF59 GFF59	6P	7.7	211	110.01	11	2.80																																																																																																																																																																																																																																																																																																																																																																																																																																																																																																																																																																																																																																																				
																															GFA69 GFAF69 GF69 GFF69	4P	7.7	213	170.85	12	3.70																																GFA59 GFAF59 GF59 GFF59	6P	4.3	384	199.70	10	1.50																																GFA59 GFAF59 GF59 GFF59	6P	4.6	353	183.60	10	1.65																																GFA59 GFAF59 GF59 GFF59	6P	5.4	302	157.09	11	1.95																																GFA59 GFAF59 GF59 GFF59	6P	6.2	262	136.16	11	2.20																																GFA59 GFAF59 GF59 GFF59	6P	6.7	245	127.27	11	2.40																																GFA59 GFAF59 GF59 GFF59	6P	7.7	211	110.01	11	2.80																																																																																																																																																																																																																																																																																																																																																																																																																																																																																																																																																																																																																																																																
																								GFA69 GFAF69 GF69 GFF69	4P	7.7	213	170.85	12	3.70																																GFA59 GFAF59 GF59 GFF59	6P	4.3	384	199.70	10	1.50																																GFA59 GFAF59 GF59 GFF59	6P	4.6	353	183.60	10	1.65																																GFA59 GFAF59 GF59 GFF59	6P	5.4	302	157.09	11	1.95																																GFA59 GFAF59 GF59 GFF59	6P	6.2	262	136.16	11	2.20																																GFA59 GFAF59 GF59 GFF59	6P	6.7	245	127.27	11	2.40																																GFA59 GFAF59 GF59 GFF59	6P	7.7	211	110.01	11	2.80																																																																																																																																																																																																																																																																																																																																																																																																																																																																																																																																																																																																																																																																							
																	GFA69 GFAF69 GF69 GFF69	4P	7.7	213	170.85	12	3.70																																GFA59 GFAF59 GF59 GFF59	6P	4.3	384	199.70	10	1.50																																GFA59 GFAF59 GF59 GFF59	6P	4.6	353	183.60	10	1.65																																GFA59 GFAF59 GF59 GFF59	6P	5.4	302	157.09	11	1.95																																GFA59 GFAF59 GF59 GFF59	6P	6.2	262	136.16	11	2.20																																GFA59 GFAF59 GF59 GFF59	6P	6.7	245	127.27	11	2.40																																GFA59 GFAF59 GF59 GFF59	6P	7.7	211	110.01	11	2.80																																																																																																																																																																																																																																																																																																																																																																																																																																																																																																																																																																																																																																																																														
					GFA69 GFAF69 GF69 GFF69	4P	7.7	213	170.85	12	3.70																																GFA59 GFAF59 GF59 GFF59	6P	4.3	384	199.70	10	1.50																																GFA59 GFAF59 GF59 GFF59	6P	4.6	353	183.60	10	1.65																																GFA59 GFAF59 GF59 GFF59	6P	5.4	302	157.09	11	1.95																																GFA59 GFAF59 GF59 GFF59	6P	6.2	262	136.16	11	2.20																																GFA59 GFAF59 GF59 GFF59	6P	6.7	245	127.27	11	2.40																																GFA59 GFAF59 GF59 GFF59	6P	7.7	211	110.01	11	2.80																																																																																																																																																																																																																																																																																																																																																																																																																																																																																																																																																																																																																																																																																										
																															GFA59 GFAF59 GF59 GFF59	6P	4.3	384	199.70	10	1.50																																GFA59 GFAF59 GF59 GFF59	6P	4.6	353	183.60	10	1.65																																GFA59 GFAF59 GF59 GFF59	6P	5.4	302	157.09	11	1.95																																GFA59 GFAF59 GF59 GFF59	6P	6.2	262	136.16	11	2.20																																GFA59 GFAF59 GF59 GFF59	6P	6.7	245	127.27	11	2.40																																GFA59 GFAF59 GF59 GFF59	6P	7.7	211	110.01	11	2.80																																																																																																																																																																																																																																																																																																																																																																																																																																																																																																																																																																																																																																																																																																						
																								GFA59 GFAF59 GF59 GFF59	6P	4.3	384	199.70	10	1.50																																GFA59 GFAF59 GF59 GFF59	6P	4.6	353	183.60	10	1.65																																GFA59 GFAF59 GF59 GFF59	6P	5.4	302	157.09	11	1.95																																GFA59 GFAF59 GF59 GFF59	6P	6.2	262	136.16	11	2.20																																GFA59 GFAF59 GF59 GFF59	6P	6.7	245	127.27	11	2.40																																GFA59 GFAF59 GF59 GFF59	6P	7.7	211	110.01	11	2.80																																																																																																																																																																																																																																																																																																																																																																																																																																																																																																																																																																																																																																																																																																													
																	GFA59 GFAF59 GF59 GFF59	6P	4.3	384	199.70	10	1.50																																GFA59 GFAF59 GF59 GFF59	6P	4.6	353	183.60	10	1.65																																GFA59 GFAF59 GF59 GFF59	6P	5.4	302	157.09	11	1.95																																GFA59 GFAF59 GF59 GFF59	6P	6.2	262	136.16	11	2.20																																GFA59 GFAF59 GF59 GFF59	6P	6.7	245	127.27	11	2.40																																GFA59 GFAF59 GF59 GFF59	6P	7.7	211	110.01	11	2.80																																																																																																																																																																																																																																																																																																																																																																																																																																																																																																																																																																																																																																																																																																																				
					GFA59 GFAF59 GF59 GFF59	6P	4.3	384	199.70	10	1.50																																GFA59 GFAF59 GF59 GFF59	6P	4.6	353	183.60	10	1.65																																GFA59 GFAF59 GF59 GFF59	6P	5.4	302	157.09	11	1.95																																GFA59 GFAF59 GF59 GFF59	6P	6.2	262	136.16	11	2.20																																GFA59 GFAF59 GF59 GFF59	6P	6.7	245	127.27	11	2.40																																GFA59 GFAF59 GF59 GFF59	6P	7.7	211	110.01	11	2.80																																																																																																																																																																																																																																																																																																																																																																																																																																																																																																																																																																																																																																																																																																																																
																															GFA59 GFAF59 GF59 GFF59	6P	4.6	353	183.60	10	1.65																																GFA59 GFAF59 GF59 GFF59	6P	5.4	302	157.09	11	1.95																																GFA59 GFAF59 GF59 GFF59	6P	6.2	262	136.16	11	2.20																																GFA59 GFAF59 GF59 GFF59	6P	6.7	245	127.27	11	2.40																																GFA59 GFAF59 GF59 GFF59	6P	7.7	211	110.01	11	2.80																																																																																																																																																																																																																																																																																																																																																																																																																																																																																																																																																																																																																																																																																																																																												
																								GFA59 GFAF59 GF59 GFF59	6P	4.6	353	183.60	10	1.65																																GFA59 GFAF59 GF59 GFF59	6P	5.4	302	157.09	11	1.95																																GFA59 GFAF59 GF59 GFF59	6P	6.2	262	136.16	11	2.20																																GFA59 GFAF59 GF59 GFF59	6P	6.7	245	127.27	11	2.40																																GFA59 GFAF59 GF59 GFF59	6P	7.7	211	110.01	11	2.80																																																																																																																																																																																																																																																																																																																																																																																																																																																																																																																																																																																																																																																																																																																																																			
																	GFA59 GFAF59 GF59 GFF59	6P	4.6	353	183.60	10	1.65																																GFA59 GFAF59 GF59 GFF59	6P	5.4	302	157.09	11	1.95																																GFA59 GFAF59 GF59 GFF59	6P	6.2	262	136.16	11	2.20																																GFA59 GFAF59 GF59 GFF59	6P	6.7	245	127.27	11	2.40																																GFA59 GFAF59 GF59 GFF59	6P	7.7	211	110.01	11	2.80																																																																																																																																																																																																																																																																																																																																																																																																																																																																																																																																																																																																																																																																																																																																																										
					GFA59 GFAF59 GF59 GFF59	6P	4.6	353	183.60	10	1.65																																GFA59 GFAF59 GF59 GFF59	6P	5.4	302	157.09	11	1.95																																GFA59 GFAF59 GF59 GFF59	6P	6.2	262	136.16	11	2.20																																GFA59 GFAF59 GF59 GFF59	6P	6.7	245	127.27	11	2.40																																GFA59 GFAF59 GF59 GFF59	6P	7.7	211	110.01	11	2.80																																																																																																																																																																																																																																																																																																																																																																																																																																																																																																																																																																																																																																																																																																																																																																						
																															GFA59 GFAF59 GF59 GFF59	6P	5.4	302	157.09	11	1.95																																GFA59 GFAF59 GF59 GFF59	6P	6.2	262	136.16	11	2.20																																GFA59 GFAF59 GF59 GFF59	6P	6.7	245	127.27	11	2.40																																GFA59 GFAF59 GF59 GFF59	6P	7.7	211	110.01	11	2.80																																																																																																																																																																																																																																																																																																																																																																																																																																																																																																																																																																																																																																																																																																																																																																																		
																								GFA59 GFAF59 GF59 GFF59	6P	5.4	302	157.09	11	1.95																																GFA59 GFAF59 GF59 GFF59	6P	6.2	262	136.16	11	2.20																																GFA59 GFAF59 GF59 GFF59	6P	6.7	245	127.27	11	2.40																																GFA59 GFAF59 GF59 GFF59	6P	7.7	211	110.01	11	2.80																																																																																																																																																																																																																																																																																																																																																																																																																																																																																																																																																																																																																																																																																																																																																																																									
																	GFA59 GFAF59 GF59 GFF59	6P	5.4	302	157.09	11	1.95																																GFA59 GFAF59 GF59 GFF59	6P	6.2	262	136.16	11	2.20																																GFA59 GFAF59 GF59 GFF59	6P	6.7	245	127.27	11	2.40																																GFA59 GFAF59 GF59 GFF59	6P	7.7	211	110.01	11	2.80																																																																																																																																																																																																																																																																																																																																																																																																																																																																																																																																																																																																																																																																																																																																																																																																
					GFA59 GFAF59 GF59 GFF59	6P	5.4	302	157.09	11	1.95																																GFA59 GFAF59 GF59 GFF59	6P	6.2	262	136.16	11	2.20																																GFA59 GFAF59 GF59 GFF59	6P	6.7	245	127.27	11	2.40																																GFA59 GFAF59 GF59 GFF59	6P	7.7	211	110.01	11	2.80																																																																																																																																																																																																																																																																																																																																																																																																																																																																																																																																																																																																																																																																																																																																																																																																												
																															GFA59 GFAF59 GF59 GFF59	6P	6.2	262	136.16	11	2.20																																GFA59 GFAF59 GF59 GFF59	6P	6.7	245	127.27	11	2.40																																GFA59 GFAF59 GF59 GFF59	6P	7.7	211	110.01	11	2.80																																																																																																																																																																																																																																																																																																																																																																																																																																																																																																																																																																																																																																																																																																																																																																																																																								
																								GFA59 GFAF59 GF59 GFF59	6P	6.2	262	136.16	11	2.20																																GFA59 GFAF59 GF59 GFF59	6P	6.7	245	127.27	11	2.40																																GFA59 GFAF59 GF59 GFF59	6P	7.7	211	110.01	11	2.80																																																																																																																																																																																																																																																																																																																																																																																																																																																																																																																																																																																																																																																																																																																																																																																																																															
																	GFA59 GFAF59 GF59 GFF59	6P	6.2	262	136.16	11	2.20																																GFA59 GFAF59 GF59 GFF59	6P	6.7	245	127.27	11	2.40																																GFA59 GFAF59 GF59 GFF59	6P	7.7	211	110.01	11	2.80																																																																																																																																																																																																																																																																																																																																																																																																																																																																																																																																																																																																																																																																																																																																																																																																																																						
					GFA59 GFAF59 GF59 GFF59	6P	6.2	262	136.16	11	2.20																																GFA59 GFAF59 GF59 GFF59	6P	6.7	245	127.27	11	2.40																																GFA59 GFAF59 GF59 GFF59	6P	7.7	211	110.01	11	2.80																																																																																																																																																																																																																																																																																																																																																																																																																																																																																																																																																																																																																																																																																																																																																																																																																																																		
																															GFA59 GFAF59 GF59 GFF59	6P	6.7	245	127.27	11	2.40																																GFA59 GFAF59 GF59 GFF59	6P	7.7	211	110.01	11	2.80																																																																																																																																																																																																																																																																																																																																																																																																																																																																																																																																																																																																																																																																																																																																																																																																																																																														
																								GFA59 GFAF59 GF59 GFF59	6P	6.7	245	127.27	11	2.40																																GFA59 GFAF59 GF59 GFF59	6P	7.7	211	110.01	11	2.80																																																																																																																																																																																																																																																																																																																																																																																																																																																																																																																																																																																																																																																																																																																																																																																																																																																																					
																	GFA59 GFAF59 GF59 GFF59	6P	6.7	245	127.27	11	2.40																																GFA59 GFAF59 GF59 GFF59	6P	7.7	211	110.01	11	2.80																																																																																																																																																																																																																																																																																																																																																																																																																																																																																																																																																																																																																																																																																																																																																																																																																																																																												
					GFA59 GFAF59 GF59 GFF59	6P	6.7	245	127.27	11	2.40																																GFA59 GFAF59 GF59 GFF59	6P	7.7	211	110.01	11	2.80																																																																																																																																																																																																																																																																																																																																																																																																																																																																																																																																																																																																																																																																																																																																																																																																																																																																																								
																															GFA59 GFAF59 GF59 GFF59	6P	7.7	211	110.01	11	2.80																																																																																																																																																																																																																																																																																																																																																																																																																																																																																																																																																																																																																																																																																																																																																																																																																																																																																																				
																								GFA59 GFAF59 GF59 GFF59	6P	7.7	211	110.01	11	2.80																																																																																																																																																																																																																																																																																																																																																																																																																																																																																																																																																																																																																																																																																																																																																																																																																																																																																																											
																	GFA59 GFAF59 GF59 GFF59	6P	7.7	211	110.01	11	2.80																																																																																																																																																																																																																																																																																																																																																																																																																																																																																																																																																																																																																																																																																																																																																																																																																																																																																																																		
					GFA59 GFAF59 GF59 GFF59	6P	7.7	211	110.01	11	2.80																																																																																																																																																																																																																																																																																																																																																																																																																																																																																																																																																																																																																																																																																																																																																																																																																																																																																																																														

**选型参数表
(恒功率)**
**Selection Table
(Constant Power)**

n_a [r/min]	M_a [N.m]	i	F_{Ra} [kN]	f_B	机型号 Type size	极数 Pole	n_a [r/min]	M_a [N.m]	i	F_{Ra} [kN]	f_B	机型号 Type size	极数 Pole																																																																																																																																																																																																																																																																																																																																																																																																																																																																																																																																																																																																																																																																																																																																																																																																																					
0.18kW							0.25kW																																																																																																																																																																																																																																																																																																																																																																																																																																																																																																																																																																																																																																																																																																																																																																																																																											
6.6	249	199.70	11	2.30	GFA59	4P	1.2	1860	1148	26	1.70	GFA89R59	4P																																																																																																																																																																																																																																																																																																																																																																																																																																																																																																																																																																																																																																																																																																																																																																																																																					
7.1	229	183.60	11	2.50	GFAF59		8.3	196	157.09	11	2.90	GF59		9.6	170	136.16	11	3.40	GFF59	10.3	159	127.27	11	3.60		4.5	366	190.76	5.9	1.05	GFA49	6P	1.3	1706	1053	14	0.90	GFA79R39	4P	4.8	337	175.38	6.3	1.15	GFAF49	5.7	288	150.06	6.7	1.35	GF49	6.5	250	130.07	7.0	1.55	GFF49	7.0	234	121.57	7.2	1.65			1.5	1474	910	15	1.05			6.9	238	190.76	7.1	1.60	GFA49	4P	1.6	1312	810	16	1.20	GFA79R39	4P	7.5	219	175.38	7.2	1.75	GFAF49	8.7	187	150.06	7.4	2.00	GF49	10.1	162	130.07	7.5	2.40	GFF49	10.8	152	121.57	7.6	2.50		1.9	1150	710	17	1.35	GFA79R39	4P	7.2	226	117.88	3.6	0.85	GFA39	6P	2.2	996	615	17	1.55	GF79R39	8.5	193	100.36	4.1	1.00	GFAF39	10	166	86.53	4.4	1.15	GF39	11	155	80.65	4.6	1.25	GFF39	12	135	70.50	4.7	1.45		2.5	872	538	18	1.80	GFF79R39	10	160	128.51	4.5	1.20	GFA39	4P	2.8	778	480	18	2.00	GFA69R39	4P	11	147	117.88	4.6	1.30	GFAF39	13	125	100.36	4.8	1.55	GF39	15	108	86.53	4.9	1.75	GFF39	16	101	80.65	5.0	1.90		3.0	708	437	11	1.20	GFA69R39	4P	19	88	70.50	5.0	2.20		2.7	810	500	10	1.05	GFA69R39	4P	20	82	66.09	5.1	2.30		2.9	736	454	10	1.15	GFA69R39	4P	22	73	58.32	5.1	2.60		3.4	635	392	11	1.35	GFA69R39	4P	0.25kW							0.25kW							0.15	14292	8822	84	0.85	GFA129R79	4P	3.4	625	386	8.7	1.00	GFA59R39	4P	0.17	12368	7634	86	1.00	GFAF129R79	0.20	10868	6708	86	1.15	GF129R79	0.22	9589	5919	86	1.30	GFF129R79	0.26	8339	5147	86	1.50		3.9	548	338	9.3	1.15	GFAF59R39	4P	0.29	7336	4528	86	1.70		5.2	413	255	10	1.50	GF59R39	4P	0.22	9646	5954	44	0.85	GFA109R79	4P	3.5	619	382	8.3	1.00	GFF59R39	0.25	8462	5223	47	0.95	GFAF109R79	0.29	7399	4567	49	1.10	GF109R79	0.38	5704	3521	53	1.40	GFF109R79	0.44	4920	3037	54	1.65		4.0	535	330	9.2	1.15	GFA59R39	4P	0.48	4465	2756	55	1.80	GFA109R79	4P	4.5	483	298	10	1.25	GFA59R39	0.56	3838	2369	56	2.10	GFAF109R79	0.64	3350	2068	57	2.40	GF109R79	0.83	2587	1597	58	3.15	GFF109R79	0.95	2270	1401	59	3.60		5.1	424	262	10	1.45	GFA59R39	4P	0.46	4710	2907	28	0.95	GFA99R59	4P	5.9	366	226	10	1.70	GFA59R39	0.52	4136	2553	29	1.05	GFAF99R59	0.59	3637	2245	30	1.20	GF99R59	0.68	3192	1970	31	1.40	GFF99R59	0.77	2791	1723	32	1.60		6.7	324	200	10	1.90	GFA59R39	4P	0.87	2475	1528	33	1.80		7.8	275	170	11	2.25	GFF59R39	1.0	2150	1327	34	2.10		5.3	403	249	5.7	1.00	GFA49R19	4P	1.1	1897	1171	34	2.35		6.1	353	218	6.3	1.15	GFAF49R19	1.3	1656	1022	34	2.70		6.9	313	193	6.7	1.30	GF49R19	0.69	3127	1930	17	1.00	GFA89R59	4P	7.6	284	175	6.9	1.45	GFF49R19	0.78	2769	1709	23	1.10	GFAF89R59	0.89	2419	1493	24	1.30	GF89R59	1.0	2106	1300	25	1.50	GFF89R59								5.3	410	253	5.6	1.00	GFA49R19	4P								6.1	352	217	6.2	1.20	GFA49R19								7.0	308	190	6.6	1.35	GFAF49R19								7.5	288	178	6.8	1.45	GF49R19								8.9	241	149	7.1	1.70	GFF49R19								10	212	131	7.3	1.95									9.2	235	145	3.5	0.85	GFA39R19	4P								10	209	129	3.9	1.00	GFAF39R19								11	191	118	4.2	1.10	GF39R19								14	159	98	4.5	1.30	GFF39R19								15	141	87	4.7	1.45									3.0	752	281.71	18	1.95	GFA79	6P								3.2	702	262.93	18	2.10	GFAF79								3.8	602	225.79	19	2.50	GF79								4.3	529	198.31	19	2.80	GFF79								4.5	503	188.40	19	2.90																																																																	
8.3	196	157.09	11	2.90	GF59		9.6	170	136.16	11	3.40	GFF59		10.3	159	127.27	11	3.60		4.5	366	190.76	5.9	1.05	GFA49	6P	1.3	1706	1053	14	0.90		GFA79R39	4P	4.8	337	175.38			6.3	1.15	GFAF49	5.7	288	150.06	6.7	1.35	GF49	6.5	250	130.07	7.0	1.55	GFF49	7.0	234	121.57	7.2	1.65			1.5	1474	910	15	1.05			6.9	238	190.76	7.1	1.60	GFA49	4P	1.6	1312		810	16	1.20	GFA79R39	4P	7.5		219	175.38	7.2	1.75	GFAF49	8.7	187	150.06	7.4	2.00	GF49	10.1	162	130.07	7.5	2.40	GFF49	10.8	152	121.57	7.6	2.50		1.9	1150	710	17	1.35	GFA79R39	4P		7.2	226	117.88	3.6	0.85	GFA39		6P	2.2	996	615	17	1.55	GF79R39	8.5	193	100.36	4.1	1.00	GFAF39	10	166	86.53	4.4	1.15	GF39	11	155	80.65	4.6	1.25	GFF39	12	135	70.50	4.7	1.45		2.5	872	538	18	1.80	GFF79R39	10	160	128.51	4.5			1.20	GFA39	4P	2.8	778			480	18	2.00	GFA69R39	4P	11	147	117.88	4.6	1.30	GFAF39	13	125	100.36	4.8	1.55	GF39	15	108	86.53	4.9	1.75	GFF39	16	101	80.65	5.0	1.90		3.0		708	437	11	1.20	GFA69R39	4P	19	88	70.50	5.0	2.20			2.7	810	500	10	1.05	GFA69R39	4P	20	82	66.09	5.1	2.30			2.9	736	454	10	1.15	GFA69R39	4P	22	73	58.32	5.1		2.60		3.4	635	392	11	1.35	GFA69R39	4P	0.25kW							0.25kW							0.15	14292	8822	84		0.85	GFA129R79	4P	3.4	625	386	8.7	1.00	GFA59R39	4P	0.17	12368	7634	86	1.00	GFAF129R79	0.20	10868	6708	86	1.15	GF129R79	0.22	9589	5919	86	1.30	GFF129R79	0.26	8339		5147	86	1.50		3.9	548	338	9.3	1.15	GFAF59R39	4P	0.29		7336	4528	86	1.70		5.2		413	255	10	1.50	GF59R39	4P	0.22	9646	5954	44	0.85	GFA109R79	4P	3.5	619	382	8.3	1.00	GFF59R39	0.25	8462	5223	47	0.95	GFAF109R79	0.29	7399	4567	49	1.10	GF109R79	0.38	5704	3521	53	1.40		GFF109R79	0.44	4920	3037	54	1.65			4.0	535	330	9.2	1.15	GFA59R39	4P	0.48	4465	2756	55	1.80	GFA109R79	4P	4.5	483	298	10	1.25	GFA59R39	0.56	3838	2369	56	2.10	GFAF109R79	0.64	3350	2068	57	2.40	GF109R79	0.83	2587	1597		58	3.15	GFF109R79	0.95	2270			1401	59	3.60		5.1	424	262	10	1.45	GFA59R39	4P	0.46	4710	2907	28	0.95	GFA99R59	4P	5.9	366	226	10	1.70	GFA59R39	0.52	4136	2553	29	1.05	GFAF99R59	0.59	3637	2245	30	1.20	GF99R59		0.68	3192	1970	31	1.40	GFF99R59	0.77	2791	1723	32	1.60		6.7	324	200	10	1.90	GFA59R39	4P	0.87	2475	1528	33	1.80			7.8	275	170	11	2.25	GFF59R39	1.0	2150	1327	34	2.10		5.3	403	249	5.7	1.00	GFA49R19	4P	1.1	1897	1171	34	2.35		6.1	353	218	6.3		1.15	GFAF49R19	1.3	1656	1022	34	2.70		6.9	313	193	6.7	1.30	GF49R19	0.69	3127	1930	17	1.00	GFA89R59	4P	7.6	284	175	6.9	1.45	GFF49R19	0.78	2769	1709	23	1.10	GFAF89R59	0.89	2419	1493	24		1.30	GF89R59	1.0	2106	1300	25	1.50	GFF89R59								5.3	410	253	5.6	1.00	GFA49R19	4P								6.1	352	217	6.2	1.20	GFA49R19								7.0	308	190	6.6	1.35	GFAF49R19								7.5	288	178	6.8	1.45	GF49R19								8.9	241	149	7.1	1.70	GFF49R19									10	212	131	7.3	1.95									9.2	235	145	3.5	0.85	GFA39R19	4P								10	209	129	3.9	1.00	GFAF39R19								11	191	118	4.2	1.10	GF39R19								14	159	98	4.5	1.30	GFF39R19									15	141	87	4.7	1.45									3.0	752	281.71	18	1.95	GFA79	6P								3.2	702	262.93	18	2.10	GFAF79								3.8	602	225.79	19	2.50	GF79								4.3	529	198.31	19	2.80	GFF79								4.5	503	188.40	19	2.90																																									
9.6	170	136.16	11	3.40	GFF59		10.3	159	127.27	11	3.60			4.5	366	190.76	5.9	1.05	GFA49	6P	1.3	1706	1053	14	0.90		GFA79R39	4P	4.8	337	175.38				6.3	1.15	GFAF49			5.7	288	150.06	6.7	1.35	GF49	6.5	250	130.07	7.0	1.55	GFF49	7.0	234	121.57	7.2	1.65			1.5	1474	910	15	1.05			6.9	238	190.76	7.1	1.60	GFA49	4P	1.6	1312		810	16		1.20	GFA79R39	4P	7.5		219		175.38	7.2	1.75	GFAF49	8.7	187	150.06	7.4	2.00	GF49	10.1	162	130.07	7.5	2.40	GFF49	10.8	152	121.57	7.6	2.50		1.9	1150	710	17	1.35	GFA79R39	4P			7.2	226	117.88	3.6	0.85	GFA39			6P	2.2	996	615	17	1.55	GF79R39	8.5	193	100.36	4.1	1.00	GFAF39	10	166	86.53	4.4	1.15	GF39	11	155	80.65	4.6	1.25	GFF39	12	135	70.50	4.7	1.45		2.5	872	538	18	1.80	GFF79R39	10	160	128.51			4.5			1.20	GFA39			4P	2.8	778			480	18	2.00	GFA69R39	4P	11	147	117.88	4.6	1.30	GFAF39	13	125	100.36	4.8	1.55	GF39	15	108	86.53	4.9	1.75	GFF39	16	101		80.65	5.0	1.90		3.0		708	437	11	1.20	GFA69R39	4P		19	88	70.50	5.0	2.20			2.7	810	500	10	1.05		GFA69R39	4P	20	82	66.09	5.1	2.30			2.9	736	454		10	1.15	GFA69R39	4P	22	73	58.32	5.1		2.60		3.4	635	392	11	1.35	GFA69R39	4P	0.25kW							0.25kW							0.15	14292	8822	84	0.85		GFA129R79	4P	3.4	625	386	8.7	1.00	GFA59R39	4P	0.17	12368	7634	86	1.00	GFAF129R79	0.20	10868	6708	86	1.15		GF129R79	0.22	9589	5919	86	1.30	GFF129R79	0.26	8339	5147		86		1.50		3.9	548	338	9.3		1.15	GFAF59R39	4P	0.29	7336		4528	86	1.70		5.2	413		255	10	1.50	GF59R39	4P	0.22	9646	5954	44	0.85	GFA109R79	4P	3.5	619	382	8.3	1.00	GFF59R39	0.25	8462	5223	47	0.95		GFAF109R79	0.29	7399	4567	49	1.10		GF109R79	0.38	5704	3521	53	1.40	GFF109R79		0.44	4920	3037	54	1.65			4.0	535	330	9.2	1.15	GFA59R39	4P	0.48	4465	2756	55	1.80	GFA109R79	4P	4.5	483	298	10	1.25	GFA59R39	0.56		3838	2369	56	2.10	GFAF109R79			0.64	3350	2068	57	2.40	GF109R79	0.83	2587	1597	58		3.15	GFF109R79	0.95	2270	1401			59	3.60		5.1	424	262	10	1.45	GFA59R39	4P	0.46	4710	2907	28	0.95	GFA99R59	4P	5.9		366	226	10	1.70	GFA59R39	0.52	4136	2553	29	1.05	GFAF99R59	0.59	3637	2245	30	1.20	GF99R59	0.68		3192	1970	31	1.40	GFF99R59		0.77	2791	1723	32	1.60		6.7	324	200	10	1.90	GFA59R39	4P	0.87	2475	1528	33	1.80			7.8	275	170	11	2.25	GFF59R39	1.0	2150	1327	34		2.10		5.3	403	249	5.7	1.00	GFA49R19	4P	1.1	1897	1171	34	2.35		6.1	353	218	6.3	1.15		GFAF49R19	1.3	1656	1022	34	2.70		6.9	313	193	6.7	1.30	GF49R19	0.69	3127	1930		17	1.00	GFA89R59	4P	7.6	284	175	6.9	1.45	GFF49R19	0.78	2769	1709	23	1.10	GFAF89R59	0.89	2419	1493	24	1.30		GF89R59	1.0	2106	1300	25	1.50	GFF89R59								5.3	410	253	5.6	1.00	GFA49R19	4P								6.1	352	217	6.2	1.20	GFA49R19								7.0	308	190	6.6	1.35	GFAF49R19								7.5	288		178	6.8	1.45	GF49R19								8.9	241	149	7.1	1.70	GFF49R19									10	212	131	7.3	1.95									9.2	235	145	3.5	0.85	GFA39R19	4P								10	209	129	3.9	1.00	GFAF39R19									11	191	118	4.2	1.10	GF39R19								14	159	98	4.5	1.30	GFF39R19									15	141	87	4.7	1.45									3.0	752	281.71	18	1.95	GFA79	6P								3.2	702	262.93	18	2.10	GFAF79								3.8	602	225.79	19	2.50	GF79								4.3	529	198.31	19	2.80	GFF79								4.5	503	188.40	19	2.90																		
10.3	159	127.27	11	3.60			4.5	366	190.76	5.9	1.05	GFA49		6P	1.3	1706	1053	14	0.90		GFA79R39	4P	4.8	337	175.38				6.3	1.15	GFAF49				5.7	288	150.06			6.7	1.35	GF49	6.5	250	130.07	7.0	1.55	GFF49	7.0	234	121.57	7.2	1.65			1.5	1474	910	15	1.05			6.9	238	190.76	7.1	1.60	GFA49	4P	1.6	1312		810	16		1.20	GFA79R39		4P	7.5		219		175.38		7.2	1.75	GFAF49	8.7	187	150.06	7.4	2.00	GF49	10.1	162	130.07	7.5	2.40	GFF49	10.8	152	121.57	7.6	2.50		1.9	1150	710	17	1.35	GFA79R39	4P				7.2	226	117.88	3.6	0.85	GFA39				6P	2.2	996	615	17	1.55	GF79R39	8.5	193	100.36	4.1	1.00	GFAF39	10	166	86.53	4.4	1.15	GF39	11	155	80.65	4.6	1.25	GFF39	12	135	70.50	4.7	1.45		2.5	872	538	18	1.80	GFF79R39	10	160			128.51			4.5					1.20	GFA39			4P	2.8	778			480	18	2.00	GFA69R39	4P	11	147	117.88	4.6	1.30	GFAF39	13	125	100.36	4.8	1.55	GF39	15	108	86.53		4.9	1.75	GFF39	16	101		80.65	5.0	1.90		3.0			708	437	11	1.20	GFA69R39	4P		19	88	70.50	5.0	2.20				2.7	810	500	10	1.05		GFA69R39	4P	20	82		66.09	5.1	2.30			2.9	736	454		10	1.15	GFA69R39	4P	22	73	58.32	5.1		2.60				3.4	635	392	11	1.35		GFA69R39			4P	0.25kW								0.25kW							0.15	14292	8822	84	0.85	GFA129R79	4P	3.4	625	386	8.7		1.00	GFA59R39	4P	0.17	12368	7634	86	1.00	GFAF129R79	0.20		10868		6708	86	1.15	GF129R79	0.22	9589		5919	86		1.30	GFF129R79		0.26	8339	5147	86	1.50			3.9	548	338	9.3		1.15	GFAF59R39	4P	0.29	7336	4528		86	1.70		5.2	413	255	10	1.50	GF59R39	4P	0.22		9646	5954	44	0.85	GFA109R79	4P		3.5	619	382	8.3	1.00	GFF59R39	0.25		8462	5223	47	0.95	GFAF109R79	0.29		7399	4567	49	1.10	GF109R79	0.38		5704	3521	53	1.40	GFF109R79	0.44		4920	3037	54	1.65		4.0	535		330	9.2	1.15	GFA59R39	4P			0.48	4465	2756	55	1.80	GFA109R79	4P	4.5	483	298		10	1.25	GFA59R39	0.56	3838			2369	56	2.10	GFAF109R79	0.64	3350	2068	57	2.40		GF109R79	0.83	2587	1597	58			3.15		GFF109R79	0.95	2270	1401	59	3.60		5.1	424	262	10	1.45	GFA59R39	4P	0.46	4710	2907	28		0.95	GFA99R59	4P	5.9	366		226	10	1.70	GFA59R39	0.52	4136	2553	29	1.05	GFAF99R59	0.59	3637		2245	30	1.20	GF99R59	0.68	3192		1970	31	1.40	GFF99R59	0.77	2791	1723	32	1.60			6.7	324	200	10	1.90	GFA59R39	4P	0.87		2475	1528	33	1.80		7.8	275	170	11	2.25	GFF59R39		1.0	2150	1327	34	2.10		5.3	403	249	5.7	1.00	GFA49R19	4P	1.1	1897	1171		34	2.35			6.1	353	218	6.3	1.15	GFAF49R19	1.3	1656	1022	34	2.70		6.9	313	193	6.7	1.30		GF49R19	0.69	3127	1930	17	1.00	GFA89R59	4P	7.6	284	175	6.9	1.45	GFF49R19	0.78	2769	1709	23	1.10	GFAF89R59		0.89	2419	1493	24	1.30	GF89R59	1.0	2106	1300	25	1.50	GFF89R59								5.3	410	253	5.6	1.00	GFA49R19	4P								6.1	352		217	6.2	1.20	GFA49R19								7.0	308	190	6.6	1.35	GFAF49R19									7.5	288	178	6.8	1.45	GF49R19								8.9	241	149	7.1	1.70	GFF49R19									10	212	131	7.3	1.95										9.2	235	145	3.5	0.85	GFA39R19	4P								10	209	129	3.9	1.00	GFAF39R19									11	191	118	4.2	1.10	GF39R19								14	159	98	4.5	1.30		GFF39R19								15	141	87	4.7	1.45									3.0	752	281.71	18	1.95	GFA79	6P								3.2	702	262.93	18	2.10	GFAF79								3.8	602	225.79	19	2.50	GF79								4.3	529	198.31	19	2.80	GFF79		
4.5	366	190.76	5.9	1.05	GFA49	6P	1.3	1706	1053	14	0.90	GFA79R39	4P																																																																																																																																																																																																																																																																																																																																																																																																																																																																																																																																																																																																																																																																																																																																																																																																																					
4.8	337	175.38	6.3	1.15	GFAF49		5.7	288	150.06	6.7	1.35				GF49	6.5	250	130.07	7.0				1.55	GFF49	7.0	234			121.57	7.2	1.65			1.5	1474	910	15	1.05			6.9	238	190.76	7.1	1.60	GFA49	4P	1.6	1312	810	16	1.20	GFA79R39	4P	7.5	219	175.38	7.2	1.75	GFAF49	8.7	187	150.06	7.4	2.00	GF49	10.1	162		130.07	7.5		2.40	GFF49		10.8	152	121.57		7.6		2.50			1.9	1150	710	17	1.35	GFA79R39	4P	7.2	226	117.88	3.6	0.85	GFA39	6P	2.2	996	615	17	1.55	GF79R39	8.5	193	100.36	4.1	1.00	GFAF39	10	166			86.53	4.4	1.15	GF39	11	155	80.65	4.6	1.25				GFF39	12	135	70.50	4.7	1.45		2.5	872	538	18	1.80	GFF79R39	10	160	128.51	4.5	1.20	GFA39	4P	2.8	778	480	18	2.00	GFA69R39	4P	11	147	117.88	4.6	1.30	GFAF39	13	125	100.36	4.8	1.55	GF39	15	108			86.53		4.9	1.75		GFF39					16	101			80.65	5.0	1.90				3.0	708	437	11	1.20	GFA69R39	4P	19	88	70.50	5.0	2.20		2.7	810	500	10	1.05	GFA69R39	4P	20	82	66.09	5.1	2.30			2.9	736	454	10	1.15	GFA69R39		4P	22	73	58.32	5.1	2.60		3.4		635	392	11	1.35	GFA69R39	4P	0.25kW							0.25kW							0.15	14292	8822		84	0.85	GFA129R79	4P		3.4	625	386	8.7	1.00	GFA59R39	4P	0.17	12368	7634	86				1.00	GFAF129R79	0.20	10868	6708				86	1.15	GF129R79	0.22	9589	5919		86	1.30	GFF129R79	0.26	8339			5147	86	1.50		3.9	548	338		9.3	1.15	GFAF59R39	4P	0.29	7336	4528	86	1.70		5.2	413	255	10	1.50	GF59R39	4P	0.22	9646		5954	44	0.85	GFA109R79	4P	3.5	619	382	8.3		1.00	GFF59R39	0.25	8462		5223	47		0.95	GFAF109R79	0.29		7399	4567	49	1.10	GF109R79	0.38	5704	3521	53		1.40	GFF109R79	0.44	4920	3037	54	1.65			4.0	535	330	9.2	1.15	GFA59R39	4P		0.48	4465	2756	55	1.80	GFA109R79		4P	4.5	483	298	10	1.25		GFA59R39	0.56	3838	2369	56	2.10		GFAF109R79	0.64	3350	2068	57	2.40	GF109R79	0.83	2587	1597	58	3.15		GFF109R79	0.95	2270	1401	59	3.60		5.1		424	262	10	1.45	GFA59R39	4P	0.46	4710	2907			28	0.95	GFA99R59	4P	5.9	366	226	10	1.70		GFA59R39	0.52	4136	2553	29			1.05	GFAF99R59	0.59	3637	2245	30	1.20	GF99R59	0.68	3192	1970	31	1.40	GFF99R59	0.77		2791	1723	32	1.60		6.7			324	200	10	1.90	GFA59R39	4P	0.87	2475	1528	33	1.80		7.8	275	170		11	2.25	GFF59R39	1.0	2150	1327		34	2.10		5.3	403	249	5.7	1.00	GFA49R19	4P	1.1	1897	1171	34	2.35		6.1		353		218	6.3	1.15	GFAF49R19	1.3	1656	1022	34	2.70		6.9		313	193	6.7	1.30	GF49R19	0.69	3127	1930	17	1.00	GFA89R59	4P		7.6	284	175	6.9	1.45	GFF49R19	0.78		2769	1709	23	1.10	GFAF89R59	0.89	2419	1493	24	1.30	GF89R59	1.0	2106	1300	25	1.50	GFF89R59										5.3	410	253	5.6	1.00	GFA49R19	4P									6.1	352	217	6.2	1.20	GFA49R19								7.0	308	190	6.6	1.35	GFAF49R19									7.5	288	178	6.8	1.45	GF49R19								8.9	241	149	7.1	1.70	GFF49R19								10	212	131		7.3	1.95									9.2	235	145	3.5	0.85	GFA39R19	4P									10	209	129	3.9	1.00	GFAF39R19								11	191	118	4.2	1.10	GF39R19									14	159	98	4.5	1.30	GFF39R19								15		141	87	4.7	1.45									3.0	752	281.71	18	1.95	GFA79	6P									3.2	702	262.93	18	2.10	GFAF79								3.8	602	225.79	19	2.50	GF79									4.3	529	198.31	19	2.80	GFF79								4.5	503	188.40	19	2.90																				
5.7	288	150.06	6.7	1.35	GF49		6.5	250	130.07	7.0	1.55				GFF49	7.0	234	121.57	7.2	1.65					1.5	1474	910	15	1.05			6.9	238	190.76	7.1	1.60	GFA49	4P	1.6	1312	810	16	1.20	GFA79R39	4P	7.5		219	175.38	7.2	1.75	GFAF49	8.7		187	150.06	7.4	2.00	GF49	10.1	162	130.07	7.5	2.40	GFF49	10.8	152	121.57		7.6	2.50			1.9	1150	710	17	1.35		GFA79R39		4P	7.2	226	117.88	3.6	0.85	GFA39	6P	2.2		996	615	17	1.55	GF79R39	8.5		193	100.36	4.1	1.00	GFAF39	10	166	86.53	4.4	1.15	GF39	11	155	80.65		4.6	1.25	GFF39	12	135	70.50	4.7	1.45		2.5	872			538	18	1.80	GFF79R39	10	160	128.51	4.5	1.20	GFA39	4P	2.8	778	480	18	2.00	GFA69R39	4P			11	147	117.88	4.6	1.30			GFAF39	13	125	100.36	4.8	1.55	GF39	15	108	86.53	4.9	1.75	GFF39	16	101	80.65	5.0		1.90			3.0		708	437		11	1.20			GFA69R39	4P	19			88	70.50	5.0	2.20		2.7	810		500	10	1.05	GFA69R39	4P	20	82	66.09	5.1	2.30		2.9		736	454	10	1.15	GFA69R39	4P	22	73	58.32	5.1	2.60		3.4			635	392	11	1.35	GFA69R39	4P	0.25kW								0.25kW							0.15	14292	8822	84	0.85	GFA129R79	4P	3.4	625	386		8.7	1.00			GFA59R39	4P	0.17	12368	7634	86	1.00		GFAF129R79	0.20	10868	6708	86	1.15		GF129R79	0.22	9589	5919	86	1.30			GFF129R79	0.26	8339	5147	86	1.50			3.9	548	338	9.3			1.15	GFAF59R39	4P	0.29	7336	4528	86		1.70		5.2		413	255	10	1.50	GF59R39	4P	0.22	9646	5954	44	0.85	GFA109R79		4P	3.5	619	382	8.3	1.00	GFF59R39		0.25	8462	5223	47	0.95	GFAF109R79	0.29	7399	4567	49	1.10	GF109R79		0.38	5704	3521		53	1.40	GFF109R79	0.44	4920	3037	54	1.65			4.0	535	330	9.2	1.15	GFA59R39	4P		0.48	4465	2756	55	1.80	GFA109R79	4P		4.5	483	298	10	1.25	GFA59R39	0.56	3838		2369	56	2.10	GFAF109R79	0.64		3350	2068	57	2.40	GF109R79	0.83		2587	1597	58	3.15	GFF109R79	0.95	2270	1401	59	3.60		5.1		424	262	10	1.45	GFA59R39	4P	0.46	4710		2907	28	0.95	GFA99R59	4P		5.9	366	226	10	1.70	GFA59R39	0.52			4136	2553	29	1.05	GFAF99R59	0.59	3637	2245	30	1.20	GF99R59			0.68	3192	1970	31	1.40	GFF99R59	0.77	2791	1723	32	1.60		6.7	324	200		10	1.90	GFA59R39	4P	0.87	2475			1528	33	1.80		7.8		275	170	11	2.25	GFF59R39	1.0	2150	1327	34	2.10		5.3	403	249	5.7	1.00	GFA49R19	4P	1.1	1897	1171	34	2.35		6.1	353		218	6.3	1.15	GFAF49R19	1.3	1656	1022		34		2.70		6.9	313	193	6.7	1.30	GF49R19	0.69	3127	1930	17	1.00	GFA89R59	4P	7.6	284	175	6.9	1.45	GFF49R19	0.78	2769			1709	23	1.10	GFAF89R59	0.89	2419	1493		24	1.30	GF89R59	1.0	2106	1300	25	1.50	GFF89R59								5.3	410	253	5.6	1.00	GFA49R19	4P									6.1		352	217	6.2	1.20	GFA49R19									7.0	308	190	6.6	1.35	GFAF49R19								7.5	288	178	6.8	1.45		GF49R19								8.9	241	149	7.1	1.70	GFF49R19								10	212	131	7.3	1.95									9.2	235	145	3.5	0.85	GFA39R19	4P								10		209	129	3.9	1.00		GFAF39R19								11	191	118	4.2	1.10	GF39R19								14	159	98	4.5	1.30	GFF39R19									15	141	87	4.7	1.45									3.0	752	281.71	18	1.95	GFA79	6P								3.2		702	262.93	18		2.10	GFAF79								3.8	602	225.79	19	2.50	GF79								4.3	529	198.31	19	2.80		GFF79								4.5	503	188.40	19	2.90																												
6.5	250	130.07	7.0	1.55	GFF49		7.0	234	121.57	7.2	1.65					1.5	1474	910	15	1.05			6.9	238	190.76	7.1	1.60	GFA49	4P	1.6	1312	810	16	1.20	GFA79R39	4P	7.5		219	175.38	7.2	1.75	GFAF49	8.7		187		150.06	7.4	2.00	GF49	10.1	162		130.07	7.5	2.40	GFF49	10.8	152	121.57	7.6	2.50		1.9	1150	710	17		1.35	GFA79R39	4P	7.2	226	117.88	3.6	0.85	GFA39		6P	2.2		996	615	17	1.55	GF79R39	8.5		193		100.36	4.1	1.00	GFAF39	10	166		86.53	4.4	1.15	GF39	11	155	80.65	4.6	1.25	GFF39	12	135	70.50	4.7	1.45		2.5	872	538	18	1.80	GFF79R39	10	160	128.51	4.5	1.20		GFA39	4P	2.8	778	480	18	2.00	GFA69R39	4P			11	147	117.88	4.6	1.30					GFAF39	13	125	100.36	4.8			1.55	GF39	15	108	86.53	4.9	1.75	GFF39	16	101	80.65	5.0	1.90		3.0	708	437	11	1.20	GFA69R39	4P	19		88	70.50		5.0	2.20		2.7	810		500			10	1.05	GFA69R39	4P	20	82	66.09		5.1	2.30		2.9		736	454	10	1.15	GFA69R39	4P	22		73	58.32	5.1	2.60			3.4	635	392	11	1.35	GFA69R39	4P	0.25kW								0.25kW								0.15	14292	8822	84	0.85	GFA129R79	4P	3.4	625	386	8.7	1.00			GFA59R39	4P	0.17	12368	7634	86			1.00		GFAF129R79	0.20	10868	6708	86		1.15	GF129R79	0.22	9589	5919	86	1.30	GFF129R79	0.26	8339	5147	86	1.50		3.9	548	338	9.3	1.15	GFAF59R39	4P	0.29	7336	4528	86	1.70				5.2	413		255	10	1.50	GF59R39		4P	0.22	9646		5954	44	0.85	GFA109R79	4P		3.5	619	382	8.3	1.00	GFF59R39			0.25	8462	5223	47	0.95	GFAF109R79		0.29	7399	4567	49	1.10	GF109R79	0.38	5704	3521	53	1.40	GFF109R79	0.44	4920	3037	54	1.65		4.0	535	330	9.2	1.15	GFA59R39	4P	0.48	4465	2756	55	1.80	GFA109R79	4P	4.5			483	298	10	1.25	GFA59R39	0.56			3838	2369	56	2.10	GFAF109R79	0.64	3350	2068		57	2.40	GF109R79	0.83	2587	1597	58	3.15	GFF109R79	0.95	2270	1401	59	3.60		5.1	424	262	10	1.45	GFA59R39	4P	0.46	4710	2907		28	0.95	GFA99R59	4P	5.9		366	226		10	1.70	GFA59R39				0.52	4136	2553	29	1.05	GFAF99R59	0.59			3637	2245	30	1.20	GF99R59	0.68	3192	1970	31	1.40	GFF99R59	0.77	2791	1723	32	1.60		6.7	324	200	10	1.90	GFA59R39	4P	0.87	2475	1528	33	1.80		7.8	275		170	11			2.25	GFF59R39	1.0	2150	1327		34	2.10		5.3	403	249	5.7	1.00	GFA49R19	4P	1.1	1897	1171	34	2.35		6.1		353	218	6.3	1.15	GFAF49R19	1.3	1656	1022		34	2.70		6.9	313	193	6.7	1.30	GF49R19	0.69	3127	1930	17	1.00	GFA89R59	4P	7.6	284	175	6.9	1.45	GFF49R19	0.78	2769		1709	23	1.10	GFAF89R59	0.89	2419	1493	24			1.30	GF89R59	1.0	2106	1300	25	1.50	GFF89R59								5.3	410	253	5.6	1.00	GFA49R19	4P								6.1		352	217		6.2	1.20	GFA49R19									7.0	308	190	6.6	1.35	GFAF49R19								7.5	288	178	6.8	1.45	GF49R19								8.9		241	149	7.1	1.70	GFF49R19								10	212	131	7.3	1.95									9.2	235	145	3.5	0.85	GFA39R19	4P								10		209	129	3.9	1.00	GFAF39R19									11	191	118	4.2	1.10	GF39R19								14	159	98	4.5	1.30	GFF39R19								15	141		87	4.7	1.45									3.0	752	281.71	18	1.95	GFA79	6P								3.2		702	262.93	18	2.10	GFAF79									3.8	602	225.79	19	2.50	GF79								4.3	529	198.31	19	2.80	GFF79								4.5		503	188.40	19	2.90																																					
7.0	234	121.57	7.2	1.65			1.5	1474	910	15	1.05			6.9	238	190.76	7.1	1.60	GFA49	4P	1.6	1312	810	16	1.20	GFA79R39	4P	7.5		219	175.38	7.2	1.75	GFAF49	8.7		187		150.06	7.4	2.00	GF49	10.1	162		130.07		7.5	2.40	GFF49	10.8	152	121.57		7.6	2.50		1.9	1150	710	17	1.35	GFA79R39	4P	7.2	226	117.88	3.6	0.85	GFA39	6P		2.2	996	615	17	1.55	GF79R39	8.5		193		100.36	4.1	1.00	GFAF39	10	166		86.53		4.4	1.15	GF39	11	155	80.65		4.6	1.25	GFF39	12	135	70.50	4.7	1.45		2.5	872	538	18	1.80	GFF79R39	10	160	128.51	4.5	1.20	GFA39	4P	2.8	778	480	18	2.00	GFA69R39			4P	11	147	117.88	4.6					1.30	GFAF39	13	125	100.36					4.8	1.55	GF39	15	108			86.53	4.9	1.75	GFF39	16	101	80.65	5.0	1.90		3.0	708	437	11	1.20	GFA69R39	4P	19	88	70.50		5.0	2.20		2.7	810	500	10	1.05	GFA69R39	4P		20	82	66.09	5.1	2.30			2.9	736	454		10	1.15	GFA69R39	4P		22	73	58.32	5.1	2.60				3.4	635	392	11	1.35		GFA69R39	4P	0.25kW							0.25kW							0.15	14292	8822	84	0.85	GFA129R79		4P	3.4	625	386	8.7			1.00	GFA59R39	4P	0.17	12368			7634		86	1.00	GFAF129R79	0.20			10868		6708	86	1.15	GF129R79	0.22		9589	5919	86	1.30	GFF129R79	0.26	8339	5147	86	1.50		3.9	548	338	9.3	1.15	GFAF59R39	4P	0.29	7336		4528	86	1.70		5.2	413	255	10	1.50	GF59R39		4P	0.22	9646	5954	44		0.85	GFA109R79		4P	3.5	619	382			8.3	1.00	GFF59R39	0.25	8462	5223			47	0.95	GFAF109R79	0.29	7399	4567		49	1.10	GF109R79	0.38	5704	3521	53	1.40	GFF109R79	0.44	4920	3037	54	1.65		4.0	535	330	9.2	1.15	GFA59R39	4P	0.48	4465		2756	55	1.80	GFA109R79	4P	4.5		483		298	10	1.25	GFA59R39	0.56	3838	2369			56	2.10	GFAF109R79	0.64	3350	2068	57	2.40		GF109R79	0.83	2587	1597	58	3.15	GFF109R79	0.95	2270	1401	59	3.60		5.1	424	262	10	1.45	GFA59R39	4P	0.46		4710	2907	28	0.95	GFA99R59	4P			5.9		366	226	10	1.70	GFA59R39	0.52				4136	2553	29	1.05	GFAF99R59	0.59	3637			2245	30	1.20	GF99R59	0.68	3192	1970	31	1.40	GFF99R59	0.77	2791	1723	32	1.60		6.7	324	200	10	1.90	GFA59R39	4P		0.87	2475	1528	33	1.80		7.8	275		170	11	2.25	GFF59R39	1.0	2150	1327	34	2.10			5.3	403	249	5.7	1.00	GFA49R19	4P	1.1		1897	1171	34	2.35		6.1	353		218	6.3	1.15	GFAF49R19	1.3	1656	1022	34		2.70		6.9	313	193	6.7	1.30	GF49R19	0.69	3127	1930	17	1.00	GFA89R59	4P		7.6	284	175	6.9	1.45	GFF49R19	0.78	2769		1709	23	1.10	GFAF89R59	0.89	2419	1493	24		1.30	GF89R59	1.0	2106	1300	25	1.50	GFF89R59								5.3	410	253	5.6	1.00	GFA49R19	4P									6.1		352	217	6.2	1.20	GFA49R19									7.0	308	190	6.6	1.35	GFAF49R19								7.5	288	178	6.8	1.45	GF49R19								8.9	241	149	7.1	1.70	GFF49R19								10	212	131	7.3	1.95									9.2	235	145	3.5	0.85	GFA39R19	4P									10	209		129	3.9	1.00	GFAF39R19									11	191	118	4.2	1.10	GF39R19								14	159	98	4.5	1.30	GFF39R19								15	141	87	4.7	1.45									3.0	752	281.71	18	1.95	GFA79	6P									3.2	702		262.93	18	2.10	GFAF79									3.8	602	225.79	19	2.50	GF79								4.3	529	198.31	19	2.80	GFF79								4.5	503	188.40	19	2.90																																							
6.9	238	190.76	7.1	1.60	GFA49	4P	1.6	1312	810	16	1.20	GFA79R39	4P																																																																																																																																																																																																																																																																																																																																																																																																																																																																																																																																																																																																																																																																																																																																																																																																																					
7.5	219	175.38	7.2	1.75	GFAF49		8.7	187	150.06	7.4	2.00	GF49		10.1	162	130.07	7.5	2.40	GFF49		10.8	152	121.57	7.6	2.50			1.9		1150	710	17	1.35	GFA79R39	4P		7.2		226	117.88	3.6	0.85	GFA39	6P		2.2	996	615	17	1.55	GF79R39	8.5	193	100.36	4.1	1.00	GFAF39	10	166	86.53	4.4	1.15	GF39		11	155	80.65	4.6	1.25	GFF39			12	135	70.50	4.7	1.45		2.5		872	538	18	1.80	GFF79R39	10	160	128.51		4.5	1.20	GFA39	4P	2.8	778	480	18	2.00	GFA69R39	4P	11	147	117.88	4.6	1.30	GFAF39	13	125	100.36	4.8	1.55	GF39	15	108	86.53	4.9	1.75	GFF39			16	101	80.65	5.0	1.90						3.0	708	437					11	1.20	GFA69R39	4P	19			88	70.50	5.0	2.20		2.7	810	500	10	1.05	GFA69R39	4P	20	82	66.09	5.1	2.30		2.9	736	454	10	1.15	GFA69R39	4P		22	73	58.32		5.1	2.60		3.4	635	392	11	1.35	GFA69R39		4P	0.25kW							0.25kW								0.15	14292	8822	84	0.85	GFA129R79		4P	3.4	625	386	8.7	1.00	GFA59R39	4P	0.17		12368	7634	86	1.00		GFAF129R79	0.20	10868	6708	86	1.15	GF129R79	0.22	9589	5919	86	1.30	GFF129R79	0.26		8339		5147	86	1.50				3.9	548		338	9.3			1.15		GFAF59R39	4P	0.29	7336	4528	86	1.70			5.2	413	255	10	1.50	GF59R39	4P	0.22	9646	5954	44	0.85	GFA109R79	4P	3.5	619	382	8.3	1.00	GFF59R39	0.25	8462		5223	47		0.95	GFAF109R79	0.29	7399	4567	49	1.10	GF109R79	0.38	5704	3521		53	1.40	GFF109R79	0.44		4920	3037	54		1.65		4.0		535	330	9.2	1.15	GFA59R39	4P	0.48	4465		2756	55	1.80	GFA109R79	4P	4.5	483	298	10	1.25	GFA59R39	0.56	3838	2369	56	2.10	GFAF109R79	0.64	3350	2068	57	2.40	GF109R79	0.83	2587	1597	58	3.15		GFF109R79	0.95		2270	1401	59	3.60				5.1		424	262	10	1.45	GFA59R39	4P	0.46		4710	2907	28	0.95	GFA99R59	4P	5.9	366	226	10	1.70	GFA59R39	0.52	4136	2553	29	1.05	GFAF99R59	0.59	3637	2245	30	1.20	GF99R59	0.68	3192	1970	31	1.40		GFF99R59		0.77	2791	1723	32					1.60		6.7	324	200	10	1.90	GFA59R39			4P	0.87	2475	1528	33	1.80		7.8	275	170	11	2.25	GFF59R39	1.0	2150	1327	34	2.10		5.3	403	249	5.7	1.00	GFA49R19	4P	1.1	1897	1171	34	2.35				6.1	353	218	6.3	1.15	GFAF49R19	1.3	1656	1022	34	2.70		6.9	313	193	6.7	1.30	GF49R19	0.69	3127	1930	17	1.00	GFA89R59	4P	7.6		284		175	6.9	1.45	GFF49R19	0.78	2769	1709		23	1.10	GFAF89R59	0.89	2419	1493	24	1.30	GF89R59	1.0	2106	1300	25	1.50	GFF89R59								5.3			410	253	5.6	1.00	GFA49R19	4P									6.1	352	217	6.2	1.20	GFA49R19								7.0	308	190	6.6	1.35	GFAF49R19										7.5	288	178	6.8	1.45	GF49R19									8.9	241	149	7.1	1.70	GFF49R19								10	212	131	7.3	1.95									9.2	235	145	3.5	0.85	GFA39R19	4P								10	209	129	3.9	1.00	GFAF39R19								11	191	118	4.2	1.10	GF39R19										14	159	98	4.5	1.30	GFF39R19									15	141	87	4.7	1.45									3.0	752	281.71	18	1.95	GFA79	6P								3.2	702	262.93	18	2.10	GFAF79								3.8	602	225.79	19	2.50	GF79										4.3	529	198.31	19	2.80	GFF79									4.5	503	188.40	19	2.90																																																																								
8.7	187	150.06	7.4	2.00	GF49		10.1	162	130.07	7.5	2.40	GFF49		10.8	152	121.57	7.6	2.50			1.9	1150	710	17	1.35	GFA79R39		4P		7.2	226	117.88	3.6	0.85			GFA39	6P	2.2	996	615	17	1.55		GF79R39	8.5	193	100.36	4.1	1.00	GFAF39	10	166	86.53	4.4	1.15	GF39	11	155	80.65	4.6	1.25	GFF39		12	135	70.50	4.7	1.45			2.5	872	538	18	1.80	GFF79R39	10	160		128.51	4.5	1.20	GFA39	4P	2.8	778	480	18	2.00	GFA69R39			4P	11	147	117.88	4.6			1.30	GFAF39	13	125	100.36	4.8	1.55	GF39	15	108	86.53	4.9	1.75	GFF39	16	101	80.65	5.0			1.90		3.0	708	437					11	1.20	GFA69R39	4P			19	88	70.50	5.0	2.20			2.7	810	500	10	1.05	GFA69R39	4P	20	82	66.09	5.1	2.30			2.9	736	454	10	1.15	GFA69R39	4P	22	73	58.32	5.1	2.60				3.4	635	392	11	1.35	GFA69R39	4P	0.25kW							0.25kW							0.15	14292	8822	84	0.85	GFA129R79	4P		3.4	625	386	8.7	1.00		GFA59R39		4P	0.17	12368	7634	86	1.00		GFAF129R79		0.20	10868	6708	86	1.15	GF129R79	0.22	9589	5919	86	1.30	GFF129R79	0.26	8339	5147	86	1.50		3.9		548		338	9.3	1.15	GFAF59R39			4P	0.29		7336	4528	86	1.70			5.2		413	255	10	1.50	GF59R39	4P	0.22	9646	5954	44	0.85	GFA109R79	4P		3.5	619	382	8.3	1.00	GFF59R39		0.25	8462	5223	47	0.95	GFAF109R79	0.29	7399		4567	49	1.10	GF109R79	0.38	5704	3521	53	1.40	GFF109R79	0.44	4920	3037	54		1.65		4.0	535	330	9.2	1.15	GFA59R39		4P	0.48	4465		2756	55	1.80	GFA109R79	4P		4.5	483	298	10	1.25	GFA59R39	0.56		3838	2369	56	2.10	GFAF109R79	0.64	3350	2068	57	2.40	GF109R79	0.83	2587	1597	58	3.15	GFF109R79	0.95	2270	1401	59	3.60			5.1	424		262	10	1.45	GFA59R39		4P		0.46	4710	2907	28	0.95	GFA99R59	4P		5.9	366	226	10	1.70	GFA59R39			0.52	4136	2553	29	1.05	GFAF99R59	0.59	3637	2245	30	1.20	GF99R59	0.68	3192	1970	31	1.40	GFF99R59	0.77	2791	1723	32	1.60			6.7	324	200	10	1.90					GFA59R39	4P	0.87	2475	1528	33	1.80		7.8	275		170	11	2.25	GFF59R39	1.0	2150	1327	34	2.10		5.3	403	249	5.7	1.00	GFA49R19	4P	1.1	1897	1171	34	2.35		6.1		353	218	6.3	1.15	GFAF49R19	1.3		1656	1022	34	2.70		6.9	313	193	6.7	1.30	GF49R19	0.69	3127	1930	17	1.00	GFA89R59	4P	7.6	284	175	6.9	1.45	GFF49R19	0.78		2769		1709		23	1.10	GFAF89R59	0.89	2419	1493	24	1.30	GF89R59	1.0	2106	1300	25	1.50	GFF89R59								5.3	410	253	5.6	1.00	GFA49R19	4P											6.1	352	217	6.2	1.20	GFA49R19								7.0	308	190	6.6	1.35	GFAF49R19								7.5	288	178	6.8	1.45	GF49R19										8.9	241	149	7.1	1.70	GFF49R19								10	212	131	7.3	1.95									9.2	235	145	3.5	0.85	GFA39R19	4P								10		209	129	3.9	1.00	GFAF39R19								11	191	118	4.2	1.10	GF39R19								14	159	98	4.5	1.30	GFF39R19										15	141	87	4.7	1.45									3.0	752	281.71	18	1.95	GFA79	6P								3.2		702	262.93	18	2.10	GFAF79								3.8	602	225.79	19	2.50	GF79								4.3	529	198.31	19	2.80	GFF79										4.5	503	188.40	19	2.90																																																																																	
10.1	162	130.07	7.5	2.40	GFF49		10.8	152	121.57	7.6	2.50			1.9	1150	710	17	1.35	GFA79R39		4P	7.2	226	117.88	3.6	0.85			GFA39	6P	2.2	996	615	17		1.55	GF79R39		8.5	193	100.36	4.1	1.00		GFAF39	10	166	86.53	4.4	1.15	GF39	11	155	80.65	4.6	1.25	GFF39	12	135	70.50	4.7	1.45		2.5	872	538	18	1.80	GFF79R39	10		160	128.51	4.5	1.20	GFA39	4P	2.8	778	480	18	2.00	GFA69R39			4P	11	147	117.88	4.6					1.30	GFAF39	13	125			100.36	4.8	1.55	GF39	15	108	86.53	4.9	1.75	GFF39	16	101	80.65	5.0	1.90		3.0	708			437	11	1.20	GFA69R39	4P		19	88		70.50	5.0	2.20			2.7	810	500	10	1.05	GFA69R39		4P	20	82	66.09	5.1	2.30			2.9	736	454	10	1.15	GFA69R39		4P	22	73	58.32	5.1	2.60			3.4	635	392	11		1.35	GFA69R39	4P	0.25kW							0.25kW							0.15	14292	8822	84	0.85	GFA129R79	4P	3.4	625	386	8.7			1.00	GFA59R39	4P	0.17	12368	7634		86			1.00	GFAF129R79	0.20	10868	6708		86	1.15	GF129R79	0.22	9589	5919	86	1.30	GFF129R79	0.26	8339	5147	86	1.50		3.9	548	338	9.3	1.15	GFAF59R39		4P		0.29	7336	4528	86	1.70			5.2		413	255	10	1.50	GF59R39	4P	0.22		9646	5954	44	0.85	GFA109R79		4P	3.5	619	382	8.3	1.00			GFF59R39	0.25	8462	5223	47	0.95		GFAF109R79	0.29	7399	4567	49	1.10	GF109R79	0.38	5704	3521	53	1.40	GFF109R79	0.44	4920	3037	54	1.65		4.0	535	330	9.2	1.15	GFA59R39	4P	0.48	4465	2756	55	1.80	GFA109R79			4P	4.5	483	298	10	1.25	GFA59R39			0.56	3838	2369	56	2.10	GFAF109R79	0.64		3350	2068	57	2.40	GF109R79	0.83	2587	1597	58	3.15	GFF109R79	0.95	2270	1401	59	3.60		5.1	424	262	10	1.45	GFA59R39		4P	0.46	4710	2907	28	0.95	GFA99R59			4P	5.9	366	226	10	1.70				GFA59R39	0.52	4136	2553	29	1.05			GFAF99R59	0.59	3637	2245	30	1.20	GF99R59	0.68	3192	1970	31	1.40	GFF99R59	0.77	2791	1723	32	1.60		6.7	324	200	10	1.90	GFA59R39	4P	0.87	2475	1528	33			1.80		7.8		275	170	11	2.25	GFF59R39	1.0	2150	1327		34	2.10		5.3	403	249	5.7	1.00	GFA49R19	4P	1.1	1897	1171	34	2.35			6.1	353	218	6.3	1.15	GFAF49R19	1.3		1656	1022	34	2.70		6.9	313	193	6.7	1.30	GF49R19	0.69	3127	1930	17	1.00	GFA89R59	4P	7.6	284	175	6.9	1.45	GFF49R19		0.78	2769	1709	23	1.10	GFAF89R59	0.89		2419		1493	24	1.30	GF89R59	1.0	2106	1300	25	1.50	GFF89R59								5.3	410	253	5.6	1.00	GFA49R19	4P									6.1		352	217	6.2	1.20	GFA49R19									7.0	308	190	6.6	1.35	GFAF49R19								7.5	288	178	6.8	1.45	GF49R19								8.9		241	149	7.1	1.70	GFF49R19								10	212	131	7.3	1.95									9.2	235	145	3.5	0.85	GFA39R19	4P									10	209	129	3.9	1.00	GFAF39R19									11	191	118	4.2	1.10	GF39R19								14	159	98	4.5	1.30	GFF39R19								15		141	87	4.7	1.45									3.0	752	281.71	18	1.95	GFA79	6P									3.2	702	262.93	18	2.10	GFAF79									3.8	602	225.79	19	2.50	GF79								4.3	529	198.31	19	2.80	GFF79								4.5		503	188.40	19	2.90																																																																																									
10.8	152	121.57	7.6	2.50			1.9	1150	710	17	1.35	GFA79R39		4P																																																																																																																																																																																																																																																																																																																																																																																																																																																																																																																																																																																																																																																																																																																																																																																																																				
7.2	226	117.88	3.6	0.85	GFA39	6P	2.2	996	615	17	1.55	GF79R39	8.5		193	100.36	4.1	1.00	GFAF39	10		166	86.53	4.4	1.15	GF39	11		155		80.65	4.6	1.25	GFF39	12	135	70.50		4.7	1.45		2.5	872		538	18	1.80	GFF79R39	10	160	128.51	4.5	1.20	GFA39	4P	2.8	778	480	18	2.00	GFA69R39	4P	11	147	117.88	4.6	1.30	GFAF39	13	125	100.36	4.8	1.55	GF39	15			108	86.53	4.9	1.75	GFF39					16	101	80.65	5.0					1.90		3.0	708			437	11	1.20	GFA69R39	4P	19	88	70.50	5.0	2.20		2.7	810	500	10	1.05	GFA69R39	4P	20	82	66.09	5.1	2.30			2.9	736	454	10	1.15	GFA69R39	4P		22	73	58.32	5.1	2.60		3.4	635		392	11	1.35	GFA69R39	4P	0.25kW							0.25kW							0.15		14292	8822	84	0.85	GFA129R79	4P	3.4	625		386	8.7	1.00	GFA59R39	4P		0.17	12368	7634	86	1.00	GFAF129R79	0.20	10868	6708	86	1.15	GF129R79	0.22			9589	5919	86	1.30			GFF129R79	0.26		8339	5147	86		1.50				3.9	548	338	9.3		1.15	GFAF59R39	4P	0.29	7336	4528	86	1.70		5.2	413	255	10	1.50	GF59R39	4P	0.22	9646	5954	44	0.85	GFA109R79		4P	3.5	619	382	8.3	1.00	GFF59R39		0.25	8462	5223	47	0.95	GFAF109R79	0.29		7399	4567	49	1.10	GF109R79	0.38	5704			3521	53	1.40	GFF109R79	0.44		4920	3037	54	1.65		4.0	535		330	9.2	1.15	GFA59R39	4P	0.48	4465	2756	55	1.80	GFA109R79	4P	4.5	483	298	10	1.25	GFA59R39	0.56	3838	2369	56	2.10	GFAF109R79	0.64		3350	2068	57	2.40	GF109R79	0.83	2587			1597	58	3.15	GFF109R79	0.95	2270			1401	59	3.60		5.1	424	262		10	1.45	GFA59R39	4P	0.46	4710	2907	28	0.95	GFA99R59	4P	5.9	366	226	10	1.70	GFA59R39	0.52	4136	2553	29	1.05	GFAF99R59	0.59		3637	2245	30	1.20	GF99R59		0.68			3192	1970	31	1.40	GFF99R59			0.77	2791	1723	32	1.60		6.7			324	200	10	1.90	GFA59R39	4P	0.87	2475	1528	33	1.80		7.8	275	170	11	2.25	GFF59R39	1.0	2150	1327	34	2.10		5.3		403	249	5.7	1.00	GFA49R19	4P	1.1	1897	1171		34	2.35		6.1	353	218	6.3	1.15	GFAF49R19	1.3	1656	1022	34	2.70		6.9	313	193		6.7	1.30	GF49R19	0.69	3127	1930		17	1.00	GFA89R59	4P	7.6	284	175		6.9	1.45	GFF49R19	0.78	2769	1709	23	1.10	GFAF89R59	0.89	2419	1493	24	1.30	GF89R59	1.0	2106		1300	25	1.50	GFF89R59									5.3	410		253	5.6	1.00	GFA49R19	4P								6.1	352	217	6.2	1.20	GFA49R19									7.0	308	190	6.6	1.35	GFAF49R19									7.5	288		178	6.8	1.45	GF49R19								8.9	241	149	7.1	1.70	GFF49R19								10	212	131	7.3	1.95									9.2	235	145	3.5	0.85	GFA39R19	4P								10	209	129	3.9	1.00	GFAF39R19								11		191	118	4.2	1.10	GF39R19									14	159	98		4.5	1.30	GFF39R19								15	141	87	4.7	1.45									3.0	752	281.71	18	1.95	GFA79	6P								3.2	702	262.93	18	2.10	GFAF79								3.8		602	225.79	19	2.50	GF79									4.3	529	198.31		19	2.80	GFF79								4.5	503	188.40	19	2.90																																																																																																															
8.5	193	100.36	4.1	1.00	GFAF39		10	166	86.53	4.4	1.15	GF39	11		155	80.65	4.6	1.25	GFF39	12		135	70.50	4.7	1.45		2.5	872	538		18	1.80	GFF79R39	10	160	128.51	4.5		1.20	GFA39	4P	2.8	778	480	18	2.00	GFA69R39	4P	11	147	117.88	4.6	1.30			GFAF39	13	125	100.36	4.8			1.55	GF39	15	108	86.53	4.9	1.75	GFF39	16	101	80.65	5.0	1.90				3.0	708	437	11					1.20	GFA69R39	4P	19		88	70.50		5.0	2.20		2.7	810	500	10	1.05	GFA69R39	4P		20	82	66.09	5.1	2.30		2.9	736	454	10	1.15	GFA69R39		4P	22	73	58.32	5.1	2.60			3.4	635	392	11	1.35		GFA69R39	4P	0.25kW								0.25kW							0.15	14292	8822	84	0.85	GFA129R79	4P		3.4	625	386	8.7	1.00	GFA59R39	4P	0.17	12368	7634			86	1.00		GFAF129R79	0.20	10868	6708		86	1.15	GF129R79	0.22	9589	5919	86	1.30	GFF129R79	0.26	8339	5147	86	1.50				3.9	548	338			9.3	1.15		GFAF59R39	4P	0.29	7336	4528	86		1.70		5.2	413	255	10	1.50	GF59R39		4P	0.22	9646	5954	44	0.85	GFA109R79	4P	3.5	619	382	8.3		1.00	GFF59R39	0.25	8462	5223	47			0.95	GFAF109R79	0.29	7399	4567	49	1.10	GF109R79	0.38	5704	3521	53	1.40	GFF109R79		0.44	4920	3037	54	1.65		4.0	535		330	9.2	1.15	GFA59R39	4P		0.48	4465	2756	55	1.80	GFA109R79	4P	4.5	483	298	10	1.25		GFA59R39	0.56	3838	2369	56	2.10		GFAF109R79	0.64	3350	2068	57	2.40	GF109R79	0.83	2587	1597	58	3.15	GFF109R79		0.95	2270	1401	59	3.60		5.1			424	262	10	1.45	GFA59R39	4P		0.46	4710	2907	28	0.95	GFA99R59	4P	5.9	366	226	10	1.70		GFA59R39	0.52	4136	2553	29			1.05	GFAF99R59	0.59	3637	2245	30	1.20	GF99R59	0.68	3192	1970	31	1.40		GFF99R59	0.77	2791	1723	32		1.60			6.7	324	200	10	1.90			GFA59R39	4P	0.87	2475	1528	33	1.80		7.8	275	170	11	2.25	GFF59R39		1.0	2150	1327	34	2.10		5.3	403	249	5.7	1.00	GFA49R19	4P	1.1	1897	1171	34	2.35			6.1	353	218	6.3	1.15		GFAF49R19	1.3	1656	1022	34	2.70		6.9	313	193	6.7	1.30	GF49R19	0.69	3127	1930	17	1.00	GFA89R59	4P	7.6	284		175	6.9	1.45	GFF49R19	0.78	2769		1709	23	1.10		GFAF89R59	0.89	2419	1493	24	1.30	GF89R59	1.0	2106	1300	25	1.50	GFF89R59								5.3		410	253	5.6	1.00	GFA49R19	4P									6.1	352	217	6.2	1.20		GFA49R19								7.0	308	190	6.6	1.35	GFAF49R19									7.5	288	178	6.8	1.45		GF49R19								8.9	241	149	7.1	1.70	GFF49R19								10	212	131	7.3	1.95									9.2	235	145	3.5	0.85	GFA39R19	4P								10	209	129	3.9	1.00		GFAF39R19								11	191	118	4.2	1.10	GF39R19									14	159	98	4.5	1.30	GFF39R19									15	141	87	4.7	1.45									3.0	752	281.71	18	1.95	GFA79	6P								3.2	702	262.93	18	2.10		GFAF79								3.8	602	225.79	19	2.50	GF79									4.3	529	198.31	19	2.80	GFF79									4.5	503	188.40	19	2.90																																																																																																																												
10	166	86.53	4.4	1.15	GF39		11	155	80.65	4.6	1.25	GFF39	12		135	70.50	4.7	1.45		2.5	872	538	18	1.80	GFF79R39	10	160	128.51	4.5		1.20	GFA39	4P	2.8	778	480	18	2.00	GFA69R39			4P	11	147	117.88	4.6			1.30	GFAF39	13	125	100.36			4.8	1.55	GF39	15	108			86.53	4.9	1.75	GFF39	16	101	80.65	5.0	1.90		3.0	708	437			11	1.20	GFA69R39	4P	19		88	70.50		5.0	2.20			2.7	810	500	10	1.05	GFA69R39	4P	20	82	66.09	5.1	2.30				2.9	736	454	10	1.15	GFA69R39	4P	22	73	58.32	5.1	2.60				3.4	635	392	11	1.35	GFA69R39	4P	0.25kW							0.25kW							0.15	14292	8822	84	0.85		GFA129R79	4P	3.4	625	386	8.7	1.00			GFA59R39	4P	0.17	12368	7634	86	1.00		GFAF129R79	0.20	10868			6708	86	1.15	GF129R79	0.22	9589	5919		86	1.30	GFF129R79	0.26	8339	5147	86	1.50		3.9	548	338	9.3	1.15			GFAF59R39	4P	0.29	7336	4528	86	1.70			5.2		413	255	10	1.50	GF59R39	4P	0.22	9646	5954	44	0.85	GFA109R79	4P			3.5	619	382	8.3	1.00	GFF59R39		0.25	8462	5223	47		0.95	GFAF109R79	0.29	7399	4567	49	1.10		GF109R79	0.38	5704	3521	53	1.40	GFF109R79	0.44	4920	3037	54	1.65		4.0	535	330	9.2	1.15	GFA59R39	4P	0.48	4465	2756		55	1.80	GFA109R79	4P		4.5	483	298	10	1.25	GFA59R39	0.56		3838	2369	56	2.10	GFAF109R79		0.64	3350	2068	57	2.40	GF109R79		0.83	2587	1597	58	3.15	GFF109R79	0.95	2270	1401	59	3.60		5.1		424	262	10	1.45	GFA59R39	4P	0.46	4710		2907	28	0.95	GFA99R59	4P		5.9	366	226	10	1.70	GFA59R39			0.52	4136	2553	29	1.05		GFAF99R59	0.59	3637	2245	30			1.20	GF99R59	0.68	3192	1970	31	1.40	GFF99R59	0.77	2791	1723	32	1.60		6.7	324	200	10	1.90		GFA59R39	4P		0.87	2475	1528	33	1.80		7.8	275		170	11	2.25	GFF59R39	1.0	2150	1327	34	2.10		5.3	403		249	5.7	1.00	GFA49R19	4P	1.1	1897	1171	34	2.35		6.1		353	218	6.3	1.15	GFAF49R19	1.3	1656	1022	34	2.70		6.9		313	193	6.7	1.30	GF49R19	0.69	3127	1930	17	1.00	GFA89R59	4P	7.6	284	175	6.9	1.45	GFF49R19	0.78		2769	1709		23	1.10	GFAF89R59	0.89	2419	1493	24	1.30	GF89R59	1.0		2106	1300	25	1.50	GFF89R59								5.3	410	253	5.6	1.00	GFA49R19	4P										6.1	352	217	6.2	1.20	GFA49R19									7.0	308	190	6.6	1.35	GFAF49R19								7.5	288	178	6.8	1.45	GF49R19									8.9	241	149	7.1	1.70	GFF49R19								10	212	131	7.3	1.95									9.2	235	145	3.5	0.85	GFA39R19	4P								10		209	129	3.9	1.00	GFAF39R19									11	191	118	4.2	1.10	GF39R19								14	159	98	4.5	1.30	GFF39R19									15	141	87	4.7	1.45									3.0	752	281.71	18	1.95	GFA79	6P								3.2		702	262.93	18	2.10	GFAF79									3.8	602	225.79	19	2.50	GF79								4.3	529	198.31	19	2.80	GFF79									4.5	503	188.40	19	2.90																																																																																																																																					
11	155	80.65	4.6	1.25	GFF39		12	135	70.50	4.7	1.45		2.5	872	538	18	1.80	GFF79R39	10	160	128.51	4.5	1.20	GFA39	4P	2.8	778	480	18	2.00	GFA69R39			4P	11	147	117.88	4.6					1.30	GFAF39	13	125			100.36	4.8	1.55	GF39	15			108	86.53	4.9	1.75	GFF39			16	101	80.65	5.0	1.90		3.0	708	437	11	1.20	GFA69R39	4P	19	88	70.50	5.0	2.20			2.7	810	500	10	1.05	GFA69R39		4P	20	82	66.09	5.1	2.30			2.9	736	454	10	1.15	GFA69R39			4P	22	73	58.32	5.1	2.60			3.4	635	392	11			1.35	GFA69R39	4P	0.25kW							0.25kW							0.15	14292	8822	84	0.85	GFA129R79	4P	3.4	625	386				8.7	1.00	GFA59R39	4P	0.17			12368		7634	86	1.00	GFAF129R79	0.20		10868	6708	86			1.15	GF129R79	0.22	9589	5919	86	1.30		GFF129R79	0.26	8339	5147	86	1.50		3.9	548	338	9.3	1.15	GFAF59R39	4P	0.29	7336	4528		86	1.70		5.2	413	255	10	1.50		GF59R39	4P	0.22	9646	5954		44	0.85	GFA109R79	4P	3.5	619				382	8.3	1.00	GFF59R39	0.25	8462		5223	47	0.95	GFAF109R79		0.29	7399	4567	49	1.10	GF109R79	0.38		5704	3521	53	1.40	GFF109R79	0.44	4920	3037	54	1.65		4.0	535	330	9.2	1.15	GFA59R39	4P	0.48		4465	2756	55	1.80	GFA109R79	4P	4.5			483	298	10	1.25	GFA59R39	0.56	3838		2369	56	2.10	GFAF109R79	0.64		3350	2068	57	2.40	GF109R79	0.83		2587	1597	58	3.15	GFF109R79	0.95	2270	1401	59	3.60		5.1	424	262	10	1.45	GFA59R39	4P	0.46		4710	2907	28	0.95	GFA99R59	4P				5.9	366	226	10	1.70	GFA59R39			0.52	4136	2553	29	1.05		GFAF99R59	0.59	3637	2245	30			1.20	GF99R59	0.68	3192	1970	31	1.40	GFF99R59	0.77	2791	1723	32	1.60		6.7	324	200	10	1.90	GFA59R39	4P		0.87	2475	1528	33	1.80		7.8	275	170		11	2.25	GFF59R39	1.0	2150	1327	34	2.10		5.3	403	249		5.7	1.00	GFA49R19	4P		1.1	1897	1171	34	2.35		6.1		353	218	6.3	1.15	GFAF49R19	1.3	1656	1022	34	2.70		6.9		313	193	6.7	1.30	GF49R19	0.69	3127	1930	17	1.00	GFA89R59		4P	7.6	284	175	6.9	1.45	GFF49R19		0.78	2769	1709	23	1.10	GFAF89R59	0.89	2419	1493	24	1.30	GF89R59	1.0		2106	1300	25	1.50	GFF89R59								5.3	410	253	5.6	1.00	GFA49R19		4P									6.1	352	217	6.2	1.20	GFA49R19									7.0	308	190	6.6	1.35	GFAF49R19								7.5	288	178	6.8	1.45	GF49R19								8.9	241	149	7.1	1.70	GFF49R19								10	212	131	7.3	1.95									9.2	235	145	3.5	0.85	GFA39R19	4P									10		209	129	3.9	1.00	GFAF39R19									11	191	118	4.2	1.10	GF39R19								14	159	98	4.5	1.30	GFF39R19								15	141	87	4.7	1.45									3.0	752	281.71	18	1.95	GFA79	6P									3.2		702	262.93	18	2.10	GFAF79									3.8	602	225.79	19	2.50	GF79								4.3	529	198.31	19	2.80	GFF79								4.5	503	188.40	19	2.90																																																																																																																																						
12	135	70.50	4.7	1.45			2.5	872	538	18	1.80	GFF79R39	10	160	128.51	4.5	1.20	GFA39	4P	2.8	778	480	18			2.00	GFA69R39	4P	11	147					117.88	4.6	1.30	GFAF39					13	125	100.36	4.8			1.55	GF39	15	108	86.53			4.9	1.75	GFF39	16	101			80.65	5.0	1.90		3.0	708	437	11	1.20	GFA69R39	4P	19		88	70.50	5.0	2.20			2.7	810	500	10	1.05	GFA69R39	4P			20	82	66.09	5.1	2.30			2.9	736	454	10	1.15	GFA69R39		4P		22	73	58.32	5.1	2.60			3.4	635	392	11	1.35		GFA69R39	4P		0.25kW							0.25kW							0.15	14292	8822	84	0.85			GFA129R79	4P	3.4	625			386	8.7	1.00		GFA59R39			4P		0.17	12368	7634	86	1.00		GFAF129R79	0.20	10868			6708	86	1.15	GF129R79	0.22	9589	5919		86	1.30	GFF129R79	0.26	8339	5147	86	1.50		3.9	548	338	9.3		1.15	GFAF59R39	4P		0.29	7336	4528	86	1.70		5.2	413		255		10	1.50	GF59R39		4P	0.22	9646		5954	44		0.85		GFA109R79	4P	3.5	619	382	8.3		1.00	GFF59R39	0.25	8462	5223	47	0.95	GFAF109R79	0.29	7399	4567	49		1.10	GF109R79	0.38	5704	3521	53	1.40	GFF109R79	0.44	4920	3037	54	1.65		4.0	535	330		9.2		1.15	GFA59R39	4P	0.48	4465		2756			55	1.80	GFA109R79	4P	4.5	483	298		10	1.25	GFA59R39	0.56	3838		2369	56	2.10	GFAF109R79	0.64	3350		2068	57	2.40	GF109R79	0.83	2587	1597	58	3.15	GFF109R79	0.95	2270	1401	59	3.60		5.1		424		262	10	1.45	GFA59R39						4P	0.46	4710	2907	28	0.95			GFA99R59	4P	5.9	366	226	10	1.70	GFA59R39	0.52	4136	2553			29	1.05	GFAF99R59	0.59	3637	2245	30	1.20	GF99R59	0.68	3192	1970	31	1.40	GFF99R59	0.77	2791	1723	32	1.60				6.7	324	200	10	1.90	GFA59R39	4P	0.87		2475	1528	33	1.80		7.8	275	170	11	2.25	GFF59R39	1.0	2150	1327	34	2.10				5.3	403	249	5.7	1.00	GFA49R19		4P	1.1	1897	1171	34	2.35		6.1	353	218	6.3	1.15		GFAF49R19	1.3	1656	1022	34	2.70		6.9	313	193	6.7			1.30	GF49R19	0.69	3127	1930	17		1.00	GFA89R59	4P	7.6	284	175	6.9	1.45	GFF49R19	0.78	2769	1709	23		1.10	GFAF89R59	0.89	2419	1493	24	1.30	GF89R59	1.0	2106	1300	25	1.50	GFF89R59										5.3	410	253	5.6		1.00	GFA49R19	4P								6.1	352	217		6.2	1.20	GFA49R19								7.0	308	190	6.6	1.35	GFAF49R19								7.5	288	178	6.8	1.45	GF49R19								8.9	241	149	7.1	1.70	GFF49R19								10	212	131	7.3	1.95											9.2	235	145	3.5		0.85	GFA39R19	4P								10	209		129	3.9	1.00	GFAF39R19								11	191	118	4.2	1.10	GF39R19								14	159	98	4.5	1.30	GFF39R19								15	141	87	4.7	1.45											3.0	752	281.71		18	1.95	GFA79	6P								3.2		702	262.93	18	2.10	GFAF79								3.8	602	225.79	19	2.50	GF79								4.3	529	198.31	19	2.80	GFF79								4.5	503	188.40	19	2.90																																																																																																																										
10	160	128.51	4.5	1.20	GFA39	4P	2.8	778	480	18	2.00	GFA69R39	4P																																																																																																																																																																																																																																																																																																																																																																																																																																																																																																																																																																																																																																																																																																																																																																																																																					
11	147	117.88	4.6	1.30			GFAF39	13	125	100.36	4.8			1.55	GF39	15	108			86.53	4.9	1.75	GFF39			16			101	80.65					5.0	1.90		3.0		708	437		11	1.20	GFA69R39	4P	19	88	70.50	5.0	2.20		2.7	810	500	10	1.05	GFA69R39	4P	20	82	66.09	5.1	2.30		2.9	736	454	10	1.15	GFA69R39	4P		22		73	58.32	5.1	2.60		3.4	635	392	11	1.35	GFA69R39	4P		0.25kW							0.25kW							0.15	14292			8822	84	0.85	GFA129R79	4P	3.4	625	386	8.7	1.00	GFA59R39	4P	0.17	12368			7634	86	1.00	GFAF129R79	0.20	10868	6708	86	1.15	GF129R79	0.22	9589	5919	86	1.30	GFF129R79	0.26	8339	5147					86	1.50				3.9	548		338	9.3	1.15			GFAF59R39	4P	0.29	7336	4528	86	1.70		5.2	413	255	10	1.50	GF59R39	4P	0.22	9646	5954	44	0.85	GFA109R79	4P	3.5	619	382	8.3	1.00	GFF59R39	0.25	8462	5223	47		0.95	GFAF109R79		0.29	7399	4567	49	1.10	GF109R79	0.38	5704	3521	53	1.40		GFF109R79	0.44	4920	3037		54	1.65			4.0		535	330	9.2		1.15	GFA59R39	4P	0.48	4465	2756	55	1.80	GFA109R79	4P	4.5	483	298	10	1.25	GFA59R39	0.56	3838	2369	56	2.10	GFAF109R79	0.64	3350	2068	57	2.40	GF109R79	0.83	2587	1597	58	3.15	GFF109R79	0.95		2270		1401	59		3.60			5.1		424	262	10	1.45		GFA59R39	4P	0.46	4710	2907	28	0.95	GFA99R59	4P	5.9	366	226	10	1.70	GFA59R39	0.52	4136	2553	29	1.05	GFAF99R59	0.59	3637	2245	30	1.20	GF99R59	0.68	3192	1970	31	1.40	GFF99R59	0.77		2791	1723	32	1.60		6.7					324		200	10	1.90	GFA59R39	4P	0.87	2475			1528	33	1.80		7.8	275	170	11	2.25	GFF59R39	1.0	2150	1327	34	2.10		5.3	403	249	5.7	1.00	GFA49R19	4P	1.1	1897	1171	34	2.35		6.1	353		218	6.3	1.15	GFAF49R19	1.3	1656	1022	34		2.70		6.9	313	193	6.7	1.30	GF49R19	0.69	3127	1930	17	1.00	GFA89R59	4P	7.6	284	175			6.9	1.45	GFF49R19	0.78	2769	1709	23	1.10		GFAF89R59	0.89	2419	1493	24	1.30	GF89R59	1.0	2106	1300	25	1.50	GFF89R59								5.3	410	253			5.6	1.00	GFA49R19	4P									6.1	352	217	6.2	1.20	GFA49R19								7.0	308	190	6.6	1.35	GFAF49R19								7.5			288	178	6.8	1.45	GF49R19									8.9	241	149	7.1	1.70	GFF49R19								10	212	131	7.3	1.95									9.2	235	145	3.5	0.85	GFA39R19	4P								10	209	129	3.9	1.00	GFAF39R19								11	191	118	4.2	1.10	GF39R19								14			159	98	4.5	1.30	GFF39R19									15	141	87	4.7	1.45									3.0	752	281.71	18	1.95	GFA79	6P								3.2	702	262.93	18	2.10	GFAF79								3.8	602	225.79	19	2.50	GF79								4.3			529	198.31	19	2.80	GFF79									4.5	503	188.40	19	2.90																																																																																																																																																																									
13	125	100.36	4.8	1.55			GF39	15	108	86.53	4.9			1.75	GFF39	16	101			80.65	5.0	1.90				3.0			708	437		11	1.20		GFA69R39	4P	19	88	70.50	5.0	2.20		2.7	810	500		10	1.05	GFA69R39	4P	20	82	66.09	5.1	2.30		2.9	736		454	10	1.15	GFA69R39	4P	22	73	58.32	5.1	2.60		3.4			635	392	11	1.35	GFA69R39	4P	0.25kW									0.25kW							0.15	14292	8822	84	0.85	GFA129R79	4P	3.4	625		386	8.7	1.00	GFA59R39			4P	0.17	12368	7634	86	1.00		GFAF129R79	0.20		10868	6708	86	1.15	GF129R79	0.22	9589	5919	86	1.30	GFF129R79	0.26	8339	5147	86	1.50		3.9	548	338					9.3	1.15	GFAF59R39	4P	0.29	7336	4528		86	1.70			5.2	413		255	10	1.50	GF59R39	4P	0.22	9646	5954	44	0.85	GFA109R79	4P		3.5	619	382	8.3	1.00	GFF59R39		0.25	8462	5223	47	0.95	GFAF109R79	0.29	7399	4567	49	1.10	GF109R79	0.38		5704	3521	53	1.40	GFF109R79	0.44	4920	3037	54	1.65		4.0	535	330	9.2	1.15		GFA59R39	4P		0.48	4465	2756	55	1.80	GFA109R79		4P	4.5		483	298	10	1.25	GFA59R39	0.56		3838	2369	56	2.10	GFAF109R79	0.64	3350	2068	57	2.40	GF109R79	0.83	2587	1597	58	3.15	GFF109R79	0.95	2270	1401	59	3.60		5.1	424		262	10	1.45	GFA59R39		4P	0.46		4710	2907	28	0.95	GFA99R59	4P		5.9		366	226	10	1.70	GFA59R39			0.52	4136	2553	29	1.05	GFAF99R59	0.59	3637	2245	30	1.20	GF99R59	0.68	3192	1970	31	1.40	GFF99R59	0.77	2791	1723	32	1.60		6.7	324	200	10	1.90	GFA59R39	4P	0.87			2475	1528	33		1.80		7.8	275		170	11			2.25	GFF59R39	1.0	2150	1327	34	2.10		5.3	403	249	5.7	1.00	GFA49R19	4P	1.1	1897	1171	34	2.35		6.1		353	218	6.3	1.15	GFAF49R19	1.3	1656	1022	34	2.70		6.9	313	193	6.7	1.30	GF49R19		0.69	3127	1930	17	1.00	GFA89R59	4P	7.6	284	175	6.9	1.45	GFF49R19	0.78		2769	1709	23		1.10	GFAF89R59	0.89	2419	1493	24	1.30	GF89R59	1.0		2106	1300	25	1.50	GFF89R59								5.3	410	253	5.6	1.00	GFA49R19	4P									6.1		352	217	6.2	1.20	GFA49R19									7.0	308	190	6.6	1.35	GFAF49R19								7.5	288	178	6.8	1.45	GF49R19									8.9	241	149	7.1	1.70	GFF49R19									10	212	131	7.3	1.95									9.2	235	145	3.5	0.85	GFA39R19	4P								10		209	129	3.9	1.00	GFAF39R19								11	191	118	4.2	1.10	GF39R19								14	159	98	4.5	1.30	GFF39R19									15	141	87	4.7	1.45										3.0	752	281.71	18	1.95	GFA79	6P								3.2		702	262.93	18	2.10	GFAF79								3.8	602	225.79	19	2.50	GF79								4.3	529	198.31	19	2.80	GFF79									4.5	503	188.40	19	2.90																																																																																																																																																																																			
15	108	86.53	4.9	1.75			GFF39	16	101	80.65	5.0			1.90		3.0	708			437	11	1.20	GFA69R39	4P	19	88			70.50	5.0	2.20		2.7	810	500		10	1.05	GFA69R39	4P	20	82	66.09	5.1	2.30			2.9	736		454	10	1.15	GFA69R39	4P	22	73	58.32		5.1	2.60		3.4		635	392	11	1.35	GFA69R39	4P	0.25kW							0.25kW							0.15	14292		8822	84	0.85	GFA129R79	4P	3.4	625	386	8.7	1.00	GFA59R39	4P	0.17			12368	7634	86	1.00	GFAF129R79	0.20	10868				6708	86	1.15	GF129R79	0.22		9589	5919	86	1.30	GFF129R79	0.26	8339	5147	86	1.50		3.9	548	338	9.3	1.15	GFAF59R39	4P	0.29	7336	4528	86	1.70		5.2			413	255	10		1.50	GF59R39	4P	0.22	9646	5954	44		0.85	GFA109R79		4P	3.5	619	382		8.3	1.00	GFF59R39	0.25	8462	5223			47	0.95	GFAF109R79	0.29	7399	4567		49	1.10	GF109R79	0.38	5704	3521	53	1.40	GFF109R79	0.44	4920	3037	54	1.65		4.0	535	330	9.2	1.15	GFA59R39	4P	0.48	4465	2756	55	1.80	GFA109R79	4P	4.5	483	298		10	1.25	GFA59R39	0.56	3838	2369	56			2.10		GFAF109R79	0.64	3350	2068	57	2.40		GF109R79	0.83	2587	1597	58	3.15	GFF109R79	0.95	2270	1401	59	3.60		5.1	424	262	10	1.45	GFA59R39	4P	0.46	4710	2907	28	0.95	GFA99R59	4P	5.9	366	226			10	1.70	GFA59R39	0.52	4136	2553				29		1.05	GFAF99R59	0.59	3637	2245			30	1.20	GF99R59	0.68	3192	1970	31	1.40	GFF99R59	0.77	2791	1723	32	1.60		6.7	324	200	10	1.90	GFA59R39	4P	0.87	2475	1528	33	1.80		7.8	275		170	11	2.25	GFF59R39	1.0	2150	1327	34	2.10		5.3		403	249			5.7	1.00	GFA49R19	4P	1.1	1897	1171	34	2.35		6.1	353	218	6.3		1.15	GFAF49R19	1.3	1656	1022	34	2.70			6.9	313	193	6.7	1.30	GF49R19	0.69	3127	1930	17	1.00	GFA89R59	4P	7.6	284	175	6.9	1.45	GFF49R19	0.78	2769	1709	23		1.10	GFAF89R59	0.89	2419	1493	24	1.30		GF89R59	1.0	2106	1300	25	1.50	GFF89R59									5.3	410	253	5.6	1.00	GFA49R19	4P								6.1	352	217		6.2	1.20	GFA49R19									7.0	308	190	6.6		1.35	GFAF49R19								7.5	288	178	6.8	1.45	GF49R19								8.9	241	149	7.1	1.70	GFF49R19								10	212	131	7.3	1.95										9.2	235	145	3.5	0.85	GFA39R19	4P								10	209	129	3.9		1.00	GFAF39R19									11	191	118	4.2	1.10	GF39R19								14	159	98	4.5	1.30	GFF39R19								15	141	87	4.7	1.45									3.0	752	281.71	18	1.95	GFA79	6P									3.2	702	262.93	18		2.10	GFAF79									3.8	602	225.79	19	2.50	GF79								4.3	529	198.31	19	2.80	GFF79								4.5	503	188.40	19	2.90																																																																																																																																																																																															
16	101	80.65	5.0	1.90				3.0	708	437	11			1.20	GFA69R39	4P																																																																																																																																																																																																																																																																																																																																																																																																																																																																																																																																																																																																																																																																																																																																																																																																																		
19	88	70.50	5.0	2.20		2.7	810	500	10	1.05	GFA69R39	4P																																																																																																																																																																																																																																																																																																																																																																																																																																																																																																																																																																																																																																																																																																																																																																																																																						
20	82	66.09	5.1	2.30		2.9	736	454	10	1.15	GFA69R39		4P																																																																																																																																																																																																																																																																																																																																																																																																																																																																																																																																																																																																																																																																																																																																																																																																																					
22	73	58.32	5.1	2.60		3.4	635	392	11	1.35	GFA69R39			4P																																																																																																																																																																																																																																																																																																																																																																																																																																																																																																																																																																																																																																																																																																																																																																																																																				
0.25kW							0.25kW																																																																																																																																																																																																																																																																																																																																																																																																																																																																																																																																																																																																																																																																																																																																																																																																																											
0.15	14292	8822	84	0.85	GFA129R79	4P	3.4	625	386	8.7	1.00	GFA59R39			4P																																																																																																																																																																																																																																																																																																																																																																																																																																																																																																																																																																																																																																																																																																																																																																																																																			
0.17	12368	7634	86	1.00			GFAF129R79	0.20	10868	6708	86	1.15	GF129R79			0.22	9589	5919	86	1.30	GFF129R79	0.26	8339	5147	86	1.50		3.9	548	338	9.3	1.15	GFAF59R39	4P	0.29	7336	4528	86	1.70		5.2	413	255	10	1.50	GF59R39	4P	0.22	9646	5954	44	0.85	GFA109R79	4P	3.5	619	382	8.3	1.00	GFF59R39	0.25	8462	5223	47	0.95	GFAF109R79	0.29	7399	4567	49	1.10	GF109R79	0.38	5704	3521	53	1.40	GFF109R79	0.44	4920	3037	54	1.65		4.0	535	330	9.2	1.15	GFA59R39	4P	0.48	4465	2756	55	1.80	GFA109R79	4P	4.5	483	298	10	1.25	GFA59R39	0.56	3838	2369	56	2.10	GFAF109R79	0.64	3350	2068	57	2.40	GF109R79	0.83	2587	1597	58	3.15	GFF109R79	0.95	2270	1401	59	3.60		5.1	424	262	10	1.45	GFA59R39	4P	0.46	4710	2907	28	0.95	GFA99R59	4P	5.9	366	226	10	1.70	GFA59R39	0.52	4136	2553	29	1.05	GFAF99R59	0.59	3637	2245	30	1.20	GF99R59	0.68	3192	1970	31	1.40	GFF99R59	0.77	2791	1723	32	1.60		6.7	324	200	10	1.90	GFA59R39	4P	0.87	2475	1528	33	1.80		7.8	275	170	11	2.25	GFF59R39	1.0	2150	1327	34	2.10		5.3	403	249	5.7	1.00	GFA49R19	4P	1.1	1897	1171	34	2.35		6.1	353	218	6.3	1.15	GFAF49R19	1.3	1656	1022	34	2.70		6.9	313	193	6.7	1.30	GF49R19	0.69	3127	1930	17	1.00	GFA89R59	4P	7.6	284	175	6.9	1.45	GFF49R19	0.78	2769	1709	23	1.10	GFAF89R59	0.89	2419	1493	24	1.30	GF89R59	1.0	2106	1300	25	1.50	GFF89R59								5.3	410	253	5.6	1.00	GFA49R19	4P								6.1	352	217	6.2	1.20	GFA49R19								7.0	308	190	6.6	1.35	GFAF49R19								7.5	288	178	6.8	1.45	GF49R19								8.9	241	149	7.1	1.70	GFF49R19								10	212	131	7.3	1.95									9.2	235	145	3.5	0.85	GFA39R19	4P								10	209	129	3.9	1.00	GFAF39R19								11	191	118	4.2	1.10	GF39R19								14	159	98	4.5	1.30	GFF39R19								15	141	87	4.7	1.45									3.0	752	281.71	18	1.95	GFA79	6P								3.2	702	262.93	18	2.10	GFAF79								3.8	602	225.79	19	2.50	GF79								4.3	529	198.31	19	2.80	GFF79								4.5	503	188.40	19	2.90																																																																																																																																																																																																																																																																																																																																													
0.20	10868	6708	86	1.15			GF129R79	0.22	9589	5919	86	1.30	GFF129R79	0.26		8339	5147	86	1.50		3.9	548	338	9.3	1.15	GFAF59R39	4P	0.29	7336	4528	86	1.70			5.2	413	255	10	1.50	GF59R39	4P	0.22	9646	5954	44	0.85		GFA109R79	4P	3.5	619	382	8.3		1.00	GFF59R39	0.25	8462	5223	47	0.95	GFAF109R79	0.29	7399	4567	49	1.10	GF109R79	0.38	5704	3521	53	1.40	GFF109R79	0.44	4920	3037	54	1.65		4.0	535	330	9.2	1.15	GFA59R39	4P	0.48	4465	2756		55	1.80	GFA109R79	4P	4.5	483		298	10	1.25	GFA59R39	0.56	3838	2369	56	2.10	GFAF109R79	0.64	3350	2068	57	2.40	GF109R79	0.83	2587	1597	58	3.15	GFF109R79	0.95	2270	1401	59	3.60		5.1	424	262	10	1.45	GFA59R39	4P	0.46		4710	2907	28	0.95	GFA99R59			4P	5.9	366	226	10	1.70	GFA59R39	0.52	4136	2553	29	1.05	GFAF99R59	0.59	3637	2245	30	1.20	GF99R59	0.68	3192	1970	31	1.40	GFF99R59	0.77	2791	1723	32	1.60		6.7	324	200	10	1.90		GFA59R39	4P	0.87	2475	1528	33	1.80		7.8	275	170	11	2.25	GFF59R39	1.0	2150	1327	34	2.10		5.3	403	249	5.7		1.00	GFA49R19	4P	1.1	1897	1171	34	2.35		6.1	353	218	6.3	1.15	GFAF49R19	1.3	1656	1022	34	2.70		6.9	313	193	6.7	1.30	GF49R19	0.69	3127	1930		17	1.00	GFA89R59	4P	7.6	284	175	6.9	1.45	GFF49R19	0.78	2769	1709	23	1.10	GFAF89R59	0.89	2419	1493	24	1.30	GF89R59	1.0	2106	1300	25	1.50	GFF89R59								5.3	410		253	5.6	1.00	GFA49R19	4P								6.1	352	217	6.2	1.20	GFA49R19								7.0	308	190	6.6	1.35	GFAF49R19								7.5	288	178	6.8	1.45	GF49R19								8.9	241	149	7.1	1.70	GFF49R19								10	212	131	7.3	1.95									9.2		235	145	3.5	0.85	GFA39R19	4P								10	209	129	3.9	1.00	GFAF39R19								11	191	118	4.2	1.10	GF39R19								14	159	98	4.5	1.30	GFF39R19								15	141	87	4.7	1.45										3.0	752	281.71	18	1.95	GFA79	6P								3.2	702	262.93	18	2.10	GFAF79								3.8	602	225.79	19	2.50	GF79								4.3	529	198.31	19	2.80	GFF79								4.5	503	188.40	19	2.90																																																																																																																																																																																																																																																																																																																																						
0.22	9589	5919	86	1.30			GFF129R79	0.26	8339	5147	86	1.50		3.9		548	338	9.3	1.15	GFAF59R39	4P	0.29	7336	4528	86	1.70			5.2	413	255	10	1.50		GF59R39	4P	0.22	9646	5954	44		0.85	GFA109R79	4P	3.5	619		382		8.3	1.00	GFF59R39	0.25		8462	5223	47	0.95	GFAF109R79	0.29	7399	4567	49	1.10	GF109R79	0.38	5704	3521	53	1.40	GFF109R79	0.44	4920	3037	54	1.65		4.0	535	330	9.2	1.15	GFA59R39	4P	0.48	4465		2756	55	1.80		GFA109R79	4P	4.5		483	298		10	1.25	GFA59R39	0.56	3838	2369	56	2.10	GFAF109R79	0.64	3350	2068	57	2.40	GF109R79	0.83	2587	1597	58	3.15	GFF109R79	0.95	2270	1401	59	3.60		5.1	424	262	10	1.45	GFA59R39	4P		0.46		4710	2907	28	0.95					GFA99R59	4P	5.9	366	226	10	1.70	GFA59R39	0.52	4136	2553	29	1.05	GFAF99R59	0.59	3637	2245	30	1.20	GF99R59	0.68	3192	1970	31	1.40	GFF99R59	0.77	2791	1723	32	1.60		6.7	324	200		10		1.90	GFA59R39	4P	0.87	2475	1528	33	1.80		7.8	275	170	11	2.25	GFF59R39	1.0	2150	1327	34	2.10		5.3		403	249		5.7	1.00	GFA49R19	4P	1.1	1897	1171	34	2.35		6.1	353	218	6.3	1.15	GFAF49R19	1.3	1656	1022	34	2.70		6.9	313	193	6.7	1.30		GF49R19	0.69	3127		1930	17	1.00	GFA89R59	4P	7.6	284	175	6.9	1.45	GFF49R19	0.78	2769	1709	23	1.10	GFAF89R59	0.89	2419	1493	24	1.30	GF89R59	1.0	2106	1300	25	1.50	GFF89R59									5.3		410	253	5.6	1.00	GFA49R19	4P								6.1	352	217	6.2	1.20	GFA49R19								7.0	308	190	6.6	1.35	GFAF49R19								7.5	288	178	6.8	1.45	GF49R19								8.9	241	149	7.1	1.70	GFF49R19								10	212	131	7.3	1.95											9.2	235	145	3.5	0.85	GFA39R19	4P								10	209	129	3.9	1.00	GFAF39R19								11	191	118	4.2	1.10	GF39R19								14	159	98	4.5	1.30	GFF39R19								15	141	87	4.7	1.45											3.0	752	281.71	18	1.95	GFA79	6P								3.2	702	262.93	18	2.10	GFAF79								3.8	602	225.79	19	2.50	GF79								4.3	529	198.31	19	2.80	GFF79								4.5	503	188.40	19	2.90																																																																																																																																																																																																																																																																																																																														
0.26	8339	5147	86	1.50				3.9	548	338	9.3	1.15	GFAF59R39	4P																																																																																																																																																																																																																																																																																																																																																																																																																																																																																																																																																																																																																																																																																																																																																																																																																				
0.29	7336	4528	86	1.70		5.2	413	255	10	1.50	GF59R39	4P																																																																																																																																																																																																																																																																																																																																																																																																																																																																																																																																																																																																																																																																																																																																																																																																																						
0.22	9646	5954	44	0.85	GFA109R79	4P	3.5	619	382	8.3	1.00		GFF59R39		0.25	8462	5223	47	0.95	GFAF109R79		0.29	7399	4567	49	1.10	GF109R79	0.38	5704	3521	53	1.40	GFF109R79	0.44	4920		3037	54	1.65		4.0	535	330		9.2	1.15	GFA59R39	4P		0.48	4465	2756	55	1.80	GFA109R79	4P	4.5	483	298	10	1.25	GFA59R39	0.56	3838	2369	56	2.10	GFAF109R79	0.64	3350	2068	57	2.40	GF109R79	0.83	2587	1597	58	3.15	GFF109R79	0.95	2270	1401		59	3.60			5.1	424	262	10		1.45		GFA59R39	4P	0.46	4710	2907	28	0.95	GFA99R59	4P	5.9	366	226	10	1.70	GFA59R39	0.52	4136	2553	29	1.05	GFAF99R59	0.59	3637	2245	30	1.20	GF99R59	0.68	3192	1970	31	1.40	GFF99R59	0.77	2791	1723		32	1.60		6.7	324	200	10		1.90	GFA59R39				4P	0.87	2475	1528	33	1.80		7.8	275	170	11	2.25	GFF59R39	1.0	2150	1327	34	2.10		5.3	403	249	5.7	1.00	GFA49R19	4P	1.1	1897	1171	34	2.35		6.1	353	218	6.3	1.15	GFAF49R19		1.3	1656	1022	34	2.70		6.9	313	193	6.7	1.30	GF49R19	0.69	3127	1930	17	1.00	GFA89R59	4P	7.6	284	175		6.9	1.45	GFF49R19		0.78	2769	1709	23	1.10	GFAF89R59	0.89	2419	1493	24	1.30	GF89R59	1.0	2106	1300	25	1.50	GFF89R59								5.3	410		253	5.6	1.00	GFA49R19		4P								6.1	352	217	6.2	1.20	GFA49R19								7.0	308	190	6.6	1.35	GFAF49R19									7.5	288	178	6.8		1.45	GF49R19								8.9	241	149	7.1	1.70	GFF49R19								10	212	131	7.3	1.95									9.2	235	145	3.5	0.85	GFA39R19	4P								10	209	129	3.9	1.00	GFAF39R19								11	191	118	4.2	1.10	GF39R19									14	159	98	4.5		1.30	GFF39R19								15	141	87	4.7	1.45									3.0	752	281.71	18	1.95	GFA79	6P								3.2	702	262.93	18	2.10	GFAF79								3.8	602	225.79	19	2.50	GF79									4.3	529	198.31	19		2.80	GFF79								4.5	503	188.40	19	2.90																																																																																																																																																																																																																																																																																																																																																																			
0.25	8462	5223	47	0.95	GFAF109R79		0.29	7399	4567	49	1.10		GF109R79		0.38	5704	3521	53	1.40	GFF109R79	0.44	4920	3037	54	1.65		4.0	535	330	9.2	1.15	GFA59R39	4P	0.48	4465	2756	55	1.80	GFA109R79	4P	4.5	483	298		10	1.25	GFA59R39		0.56	3838	2369	56	2.10	GFAF109R79	0.64		3350	2068	57	2.40	GF109R79	0.83	2587	1597	58	3.15	GFF109R79	0.95	2270	1401	59	3.60		5.1	424	262	10	1.45	GFA59R39	4P	0.46	4710	2907		28	0.95	GFA99R59	4P	5.9	366	226	10		1.70	GFA59R39	0.52		4136	2553	29	1.05	GFAF99R59			0.59	3637	2245	30	1.20	GF99R59	0.68	3192	1970	31	1.40	GFF99R59	0.77	2791	1723	32	1.60		6.7	324	200	10	1.90	GFA59R39	4P	0.87	2475	1528	33	1.80		7.8	275	170	11	2.25	GFF59R39	1.0	2150				1327	34	2.10		5.3	403	249	5.7	1.00	GFA49R19	4P	1.1	1897	1171	34	2.35		6.1	353	218	6.3	1.15	GFAF49R19	1.3		1656	1022	34	2.70		6.9	313	193	6.7	1.30	GF49R19	0.69	3127	1930	17	1.00	GFA89R59	4P	7.6	284	175	6.9	1.45	GFF49R19	0.78	2769	1709	23	1.10	GFAF89R59	0.89		2419	1493	24	1.30	GF89R59	1.0	2106		1300	25	1.50	GFF89R59								5.3	410	253	5.6	1.00	GFA49R19	4P								6.1	352	217	6.2	1.20	GFA49R19										7.0	308	190	6.6	1.35	GFAF49R19								7.5	288	178	6.8	1.45	GF49R19								8.9	241	149	7.1	1.70	GFF49R19									10	212	131	7.3	1.95									9.2	235	145	3.5	0.85	GFA39R19	4P								10	209	129	3.9	1.00	GFAF39R19									11	191	118	4.2	1.10	GF39R19								14	159	98	4.5	1.30	GFF39R19								15	141	87	4.7	1.45										3.0	752	281.71	18	1.95	GFA79	6P								3.2	702	262.93	18	2.10	GFAF79									3.8	602	225.79	19	2.50	GF79								4.3	529	198.31	19	2.80	GFF79								4.5	503	188.40	19	2.90																																																																																																																																																																																																																																																																																																																																																																																			
0.29	7399	4567	49	1.10	GF109R79		0.38	5704	3521	53	1.40		GFF109R79	0.44	4920	3037	54	1.65		4.0	535	330	9.2	1.15	GFA59R39	4P	0.48	4465	2756	55	1.80	GFA109R79		4P	4.5	483	298	10	1.25		GFA59R39	0.56	3838	2369	56	2.10	GFAF109R79		0.64	3350	2068	57	2.40	GF109R79	0.83		2587	1597	58	3.15	GFF109R79	0.95	2270	1401	59	3.60		5.1	424	262	10	1.45	GFA59R39	4P	0.46	4710	2907	28	0.95		GFA99R59	4P	5.9	366	226	10			1.70	GFA59R39	0.52	4136	2553	29	1.05	GFAF99R59		0.59	3637	2245	30	1.20			GF99R59	0.68	3192	1970	31	1.40	GFF99R59	0.77	2791	1723	32	1.60		6.7	324	200	10	1.90	GFA59R39	4P	0.87	2475	1528	33		1.80		7.8	275	170	11	2.25	GFF59R39	1.0	2150	1327	34	2.10		5.3	403		249	5.7	1.00	GFA49R19	4P	1.1	1897	1171	34	2.35			6.1	353	218	6.3	1.15	GFAF49R19	1.3	1656	1022	34	2.70			6.9	313	193	6.7	1.30	GF49R19	0.69	3127	1930	17	1.00	GFA89R59	4P	7.6	284	175	6.9		1.45	GFF49R19	0.78	2769	1709	23	1.10	GFAF89R59	0.89	2419	1493	24	1.30		GF89R59	1.0	2106	1300	25	1.50	GFF89R59								5.3	410	253	5.6	1.00	GFA49R19	4P									6.1	352	217	6.2	1.20	GFA49R19									7.0	308	190	6.6	1.35	GFAF49R19								7.5	288	178	6.8	1.45	GF49R19								8.9	241	149	7.1	1.70	GFF49R19								10	212	131	7.3	1.95									9.2	235	145	3.5	0.85	GFA39R19	4P									10	209	129	3.9	1.00	GFAF39R19									11	191	118	4.2	1.10	GF39R19								14	159	98	4.5	1.30	GFF39R19								15	141	87	4.7	1.45									3.0	752	281.71	18	1.95	GFA79	6P									3.2	702	262.93	18	2.10	GFAF79									3.8	602	225.79	19	2.50	GF79								4.3	529	198.31	19	2.80	GFF79								4.5	503	188.40	19	2.90																																																																																																																																																																																																																																																																																																																																																																																								
0.38	5704	3521	53	1.40	GFF109R79		0.44	4920	3037	54	1.65		4.0	535	330	9.2	1.15	GFA59R39	4P	0.48	4465	2756	55	1.80	GFA109R79		4P	4.5	483	298	10	1.25			GFA59R39	0.56	3838	2369	56		2.10	GFAF109R79	0.64	3350	2068	57	2.40		GF109R79	0.83	2587	1597	58	3.15	GFF109R79		0.95	2270	1401	59	3.60		5.1	424	262	10	1.45	GFA59R39	4P	0.46	4710	2907	28		0.95	GFA99R59	4P	5.9	366				226	10	1.70	GFA59R39			0.52	4136	2553	29	1.05	GFAF99R59	0.59	3637		2245	30	1.20	GF99R59	0.68			3192	1970	31	1.40	GFF99R59	0.77	2791	1723	32	1.60		6.7	324	200	10	1.90	GFA59R39	4P	0.87		2475	1528	33	1.80			7.8	275	170	11	2.25	GFF59R39	1.0	2150	1327	34	2.10		5.3	403	249		5.7	1.00	GFA49R19	4P		1.1	1897	1171	34	2.35			6.1	353	218	6.3	1.15	GFAF49R19	1.3	1656	1022	34	2.70			6.9	313	193	6.7	1.30	GF49R19	0.69	3127	1930	17	1.00	GFA89R59		4P	7.6	284	175		6.9	1.45	GFF49R19	0.78	2769	1709	23	1.10	GFAF89R59	0.89	2419	1493	24		1.30	GF89R59	1.0	2106	1300	25	1.50	GFF89R59								5.3	410	253	5.6	1.00		GFA49R19	4P									6.1	352	217	6.2	1.20	GFA49R19									7.0	308	190	6.6	1.35	GFAF49R19								7.5	288	178	6.8	1.45	GF49R19								8.9	241	149	7.1	1.70	GFF49R19								10	212	131	7.3	1.95									9.2	235	145	3.5		0.85	GFA39R19	4P									10	209	129	3.9	1.00	GFAF39R19									11	191	118	4.2	1.10	GF39R19								14	159	98	4.5	1.30	GFF39R19								15	141	87	4.7	1.45									3.0	752	281.71		18	1.95	GFA79	6P									3.2	702	262.93	18	2.10	GFAF79									3.8	602	225.79	19	2.50	GF79								4.3	529	198.31	19	2.80	GFF79								4.5	503	188.40	19	2.90																																																																																																																																																																																																																																																																																																																																																																																				
0.44	4920	3037	54	1.65			4.0	535	330	9.2	1.15	GFA59R39	4P																																																																																																																																																																																																																																																																																																																																																																																																																																																																																																																																																																																																																																																																																																																																																																																																																					
0.48	4465	2756	55	1.80	GFA109R79	4P	4.5	483	298	10	1.25	GFA59R39		0.56	3838	2369	56	2.10		GFAF109R79	0.64	3350	2068	57	2.40			GF109R79	0.83	2587	1597	58			3.15	GFF109R79	0.95	2270	1401		59	3.60		5.1	424	262	10	1.45	GFA59R39	4P	0.46	4710	2907	28	0.95	GFA99R59	4P	5.9	366	226	10	1.70	GFA59R39	0.52	4136	2553	29	1.05		GFAF99R59	0.59	3637	2245		30			1.20	GF99R59	0.68			3192	1970	31	1.40			GFF99R59	0.77	2791	1723	32	1.60		6.7	324	200	10	1.90	GFA59R39	4P	0.87	2475	1528	33	1.80		7.8	275	170	11	2.25	GFF59R39	1.0	2150	1327	34	2.10		5.3		403		249	5.7	1.00	GFA49R19	4P	1.1	1897	1171	34	2.35		6.1	353	218	6.3	1.15	GFAF49R19	1.3	1656	1022	34	2.70		6.9	313			193	6.7	1.30	GF49R19	0.69		3127	1930	17	1.00	GFA89R59	4P	7.6	284	175	6.9	1.45	GFF49R19	0.78	2769	1709	23	1.10	GFAF89R59	0.89	2419	1493	24	1.30	GF89R59	1.0	2106			1300	25	1.50		GFF89R59								5.3	410	253	5.6	1.00	GFA49R19	4P								6.1	352	217	6.2	1.20	GFA49R19										7.0	308		190	6.6	1.35	GFAF49R19								7.5	288	178	6.8	1.45	GF49R19								8.9	241	149	7.1	1.70	GFF49R19								10	212	131	7.3	1.95									9.2	235	145	3.5	0.85	GFA39R19	4P								10	209	129	3.9	1.00	GFAF39R19										11	191		118	4.2	1.10	GF39R19								14	159	98	4.5	1.30	GFF39R19								15	141	87	4.7	1.45									3.0	752	281.71	18	1.95	GFA79	6P								3.2	702	262.93	18	2.10	GFAF79										3.8		602	225.79	19	2.50	GF79								4.3	529	198.31	19	2.80	GFF79								4.5	503	188.40	19	2.90																																																																																																																																																																																																																																																																																																																																																																																																									
0.56	3838	2369	56	2.10	GFAF109R79		0.64	3350	2068	57	2.40	GF109R79		0.83	2587	1597	58	3.15		GFF109R79	0.95	2270	1401	59	3.60				5.1	424	262	10	1.45		GFA59R39	4P	0.46	4710	2907	28	0.95	GFA99R59	4P	5.9	366	226	10	1.70	GFA59R39		0.52	4136	2553	29	1.05			GFAF99R59	0.59	3637	2245	30	1.20	GF99R59	0.68	3192	1970	31		1.40	GFF99R59	0.77	2791	1723	32			1.60		6.7			324	200	10	1.90	GFA59R39	4P	0.87	2475	1528	33	1.80		7.8	275	170	11	2.25	GFF59R39	1.0		2150	1327	34	2.10		5.3	403	249	5.7	1.00	GFA49R19	4P	1.1	1897	1171	34	2.35		6.1		353	218	6.3	1.15	GFAF49R19	1.3		1656	1022	34	2.70		6.9	313	193	6.7	1.30	GF49R19	0.69	3127	1930	17	1.00	GFA89R59	4P	7.6	284			175	6.9	1.45	GFF49R19	0.78	2769	1709	23	1.10	GFAF89R59	0.89		2419	1493	24	1.30	GF89R59	1.0	2106	1300	25	1.50	GFF89R59								5.3	410			253	5.6	1.00	GFA49R19	4P								6.1	352	217	6.2	1.20	GFA49R19									7.0	308	190	6.6	1.35	GFAF49R19										7.5	288	178	6.8	1.45	GF49R19								8.9	241	149	7.1	1.70	GFF49R19								10	212	131	7.3	1.95									9.2	235	145	3.5	0.85	GFA39R19	4P								10	209	129	3.9	1.00	GFAF39R19									11	191	118	4.2	1.10	GF39R19										14	159	98	4.5	1.30	GFF39R19								15	141	87	4.7	1.45									3.0	752	281.71	18	1.95	GFA79	6P								3.2	702	262.93	18	2.10	GFAF79									3.8	602	225.79	19	2.50	GF79										4.3	529	198.31	19	2.80	GFF79								4.5	503	188.40	19	2.90																																																																																																																																																																																																																																																																																																																																																																																																																							
0.64	3350	2068	57	2.40	GF109R79		0.83	2587	1597	58	3.15	GFF109R79		0.95	2270	1401	59	3.60			5.1	424	262	10	1.45	GFA59R39		4P	0.46	4710	2907	28	0.95	GFA99R59	4P		5.9	366	226	10	1.70			GFA59R39	0.52	4136	2553	29	1.05		GFAF99R59	0.59	3637	2245	30			1.20	GF99R59	0.68	3192	1970	31	1.40	GFF99R59	0.77	2791	1723	32	1.60		6.7	324	200	10			1.90	GFA59R39	4P	0.87	2475	1528	33	1.80		7.8		275	170	11	2.25	GFF59R39	1.0	2150	1327	34	2.10		5.3	403		249	5.7	1.00	GFA49R19	4P	1.1	1897	1171	34	2.35			6.1	353	218	6.3	1.15	GFAF49R19	1.3	1656	1022	34	2.70		6.9	313		193	6.7	1.30	GF49R19	0.69	3127	1930	17	1.00	GFA89R59	4P	7.6	284	175	6.9	1.45	GFF49R19		0.78	2769		1709	23	1.10	GFAF89R59	0.89	2419	1493	24	1.30	GF89R59	1.0	2106		1300	25	1.50	GFF89R59								5.3	410	253	5.6	1.00	GFA49R19	4P										6.1	352	217	6.2	1.20	GFA49R19									7.0	308	190	6.6	1.35	GFAF49R19								7.5	288	178	6.8	1.45	GF49R19									8.9	241	149	7.1	1.70	GFF49R19								10	212	131	7.3	1.95									9.2	235	145	3.5	0.85	GFA39R19	4P									10	209	129	3.9	1.00	GFAF39R19									11	191	118	4.2	1.10	GF39R19								14	159	98	4.5	1.30	GFF39R19									15	141	87	4.7	1.45									3.0	752	281.71	18	1.95	GFA79	6P									3.2	702	262.93	18	2.10	GFAF79									3.8	602	225.79	19	2.50	GF79								4.3	529	198.31	19	2.80	GFF79									4.5	503	188.40	19	2.90																																																																																																																																																																																																																																																																																																																																																																																																																															
0.83	2587	1597	58	3.15	GFF109R79		0.95	2270	1401	59	3.60			5.1	424	262	10	1.45	GFA59R39	4P	0.46	4710	2907	28	0.95	GFA99R59	4P		5.9	366	226	10	1.70				GFA59R39	0.52	4136	2553	29			1.05	GFAF99R59	0.59	3637	2245	30		1.20	GF99R59	0.68	3192	1970			31	1.40	GFF99R59	0.77	2791	1723	32	1.60		6.7	324	200	10	1.90	GFA59R39	4P	0.87	2475	1528	33	1.80			7.8	275	170	11	2.25	GFF59R39	1.0		2150	1327	34	2.10		5.3	403	249	5.7	1.00	GFA49R19	4P	1.1		1897	1171	34	2.35			6.1	353	218	6.3	1.15		GFAF49R19	1.3	1656	1022	34	2.70		6.9	313	193	6.7	1.30	GF49R19	0.69		3127	1930	17	1.00	GFA89R59	4P	7.6	284	175	6.9		1.45	GFF49R19	0.78	2769	1709	23		1.10	GFAF89R59	0.89	2419	1493	24	1.30	GF89R59	1.0	2106	1300	25	1.50	GFF89R59									5.3	410	253	5.6	1.00	GFA49R19	4P									6.1	352	217	6.2	1.20		GFA49R19								7.0	308	190	6.6	1.35		GFAF49R19								7.5	288	178	6.8	1.45	GF49R19								8.9	241	149	7.1	1.70	GFF49R19								10	212	131	7.3	1.95									9.2	235	145	3.5	0.85	GFA39R19	4P									10	209	129	3.9	1.00		GFAF39R19								11	191	118	4.2	1.10		GF39R19								14	159	98	4.5	1.30	GFF39R19								15	141	87	4.7	1.45									3.0	752	281.71	18	1.95	GFA79	6P									3.2	702	262.93	18	2.10		GFAF79								3.8	602	225.79	19	2.50		GF79								4.3	529	198.31	19	2.80	GFF79								4.5	503	188.40	19	2.90																																																																																																																																																																																																																																																																																																																																																																																																																																					
0.95	2270	1401	59	3.60			5.1	424	262	10	1.45	GFA59R39	4P																																																																																																																																																																																																																																																																																																																																																																																																																																																																																																																																																																																																																																																																																																																																																																																																																					
0.46	4710	2907	28	0.95	GFA99R59	4P	5.9	366	226	10	1.70	GFA59R39		0.52	4136	2553	29	1.05	GFAF99R59		0.59	3637	2245	30	1.20				GF99R59	0.68	3192	1970	31			1.40	GFF99R59	0.77	2791	1723	32			1.60		6.7	324	200	10	1.90	GFA59R39	4P	0.87	2475	1528	33	1.80		7.8	275	170	11	2.25	GFF59R39	1.0	2150	1327	34	2.10		5.3	403		249	5.7	1.00	GFA49R19	4P	1.1		1897	1171	34	2.35		6.1	353	218	6.3	1.15	GFAF49R19	1.3	1656	1022	34	2.70		6.9	313		193	6.7	1.30	GF49R19	0.69	3127		1930	17	1.00	GFA89R59	4P	7.6		284	175	6.9	1.45	GFF49R19	0.78	2769	1709	23	1.10	GFAF89R59	0.89	2419	1493	24	1.30	GF89R59	1.0	2106	1300		25	1.50	GFF89R59										5.3	410	253	5.6	1.00	GFA49R19	4P								6.1	352	217	6.2	1.20	GFA49R19								7.0		308	190	6.6	1.35		GFAF49R19									7.5	288	178	6.8	1.45	GF49R19								8.9	241	149	7.1	1.70	GFF49R19								10	212	131	7.3	1.95									9.2	235	145	3.5	0.85	GFA39R19	4P								10	209	129	3.9	1.00	GFAF39R19								11		191	118	4.2	1.10	GF39R19										14	159	98	4.5	1.30	GFF39R19								15	141	87	4.7	1.45									3.0	752	281.71	18	1.95	GFA79	6P								3.2	702	262.93	18	2.10	GFAF79								3.8		602	225.79	19	2.50	GF79										4.3	529	198.31	19	2.80	GFF79								4.5	503	188.40	19	2.90																																																																																																																																																																																																																																																																																																																																																																																																																																																											
0.52	4136	2553	29	1.05			GFAF99R59	0.59	3637	2245	30	1.20		GF99R59	0.68	3192	1970	31	1.40		GFF99R59	0.77	2791	1723	32			1.60		6.7	324	200	10			1.90	GFA59R39	4P	0.87	2475	1528	33	1.80		7.8	275	170	11	2.25	GFF59R39	1.0		2150	1327	34	2.10		5.3	403	249	5.7	1.00	GFA49R19	4P	1.1	1897	1171	34	2.35		6.1	353		218	6.3	1.15	GFAF49R19		1.3	1656	1022	34	2.70		6.9	313	193	6.7	1.30	GF49R19	0.69	3127	1930	17	1.00	GFA89R59	4P	7.6	284		175	6.9	1.45	GFF49R19	0.78	2769		1709	23	1.10	GFAF89R59		0.89	2419	1493	24	1.30	GF89R59	1.0	2106	1300	25	1.50	GFF89R59								5.3	410	253		5.6	1.00	GFA49R19	4P									6.1	352	217	6.2	1.20	GFA49R19									7.0	308	190	6.6	1.35	GFAF49R19								7.5		288	178	6.8	1.45		GF49R19								8.9	241	149	7.1	1.70	GFF49R19								10	212	131	7.3	1.95									9.2	235	145	3.5	0.85	GFA39R19	4P								10	209	129	3.9	1.00	GFAF39R19									11	191	118	4.2	1.10	GF39R19								14		159	98	4.5	1.30	GFF39R19									15	141	87	4.7	1.45									3.0	752	281.71	18	1.95	GFA79	6P								3.2	702	262.93	18	2.10	GFAF79									3.8	602	225.79	19	2.50	GF79								4.3		529	198.31	19	2.80	GFF79									4.5	503	188.40	19	2.90																																																																																																																																																																																																																																																																																																																																																																																																																																																																									
0.59	3637	2245	30	1.20			GF99R59	0.68	3192	1970	31	1.40		GFF99R59	0.77	2791	1723	32	1.60		6.7	324	200	10	1.90			GFA59R39	4P	0.87	2475	1528	33	1.80		7.8	275		170	11	2.25	GFF59R39	1.0	2150	1327	34	2.10		5.3	403	249		5.7	1.00	GFA49R19	4P	1.1	1897	1171	34	2.35		6.1		353	218	6.3	1.15	GFAF49R19	1.3	1656	1022	34	2.70		6.9	313		193	6.7	1.30	GF49R19	0.69	3127	1930	17	1.00	GFA89R59	4P	7.6	284	175	6.9	1.45	GFF49R19	0.78		2769	1709		23	1.10	GFAF89R59	0.89	2419	1493	24	1.30	GF89R59	1.0	2106		1300	25	1.50	GFF89R59								5.3	410	253	5.6	1.00	GFA49R19	4P										6.1	352	217	6.2	1.20	GFA49R19								7.0		308	190	6.6	1.35	GFAF49R19								7.5	288	178	6.8	1.45	GF49R19									8.9	241	149	7.1	1.70	GFF49R19								10	212	131	7.3	1.95									9.2	235	145	3.5	0.85	GFA39R19	4P								10		209	129	3.9	1.00	GFAF39R19								11		191	118	4.2	1.10	GF39R19								14	159	98	4.5	1.30	GFF39R19									15	141	87	4.7	1.45									3.0	752	281.71	18	1.95	GFA79	6P								3.2		702	262.93	18	2.10	GFAF79								3.8		602	225.79	19	2.50	GF79								4.3	529	198.31	19	2.80	GFF79									4.5	503	188.40	19	2.90																																																																																																																																																																																																																																																																																																																																																																																																																																																																																		
0.68	3192	1970	31	1.40			GFF99R59	0.77	2791	1723	32	1.60		6.7	324	200	10	1.90	GFA59R39	4P	0.87	2475	1528	33	1.80		7.8	275		170	11	2.25	GFF59R39	1.0	2150	1327	34		2.10		5.3	403	249	5.7	1.00	GFA49R19	4P	1.1	1897	1171	34		2.35		6.1		353	218	6.3	1.15	GFAF49R19	1.3	1656		1022	34	2.70		6.9	313	193	6.7	1.30	GF49R19	0.69	3127	1930		17	1.00	GFA89R59	4P	7.6	284	175	6.9	1.45	GFF49R19		0.78	2769	1709	23	1.10	GFAF89R59	0.89		2419	1493	24	1.30	GF89R59	1.0	2106	1300	25	1.50	GFF89R59									5.3	410	253	5.6	1.00	GFA49R19	4P									6.1	352	217	6.2	1.20	GFA49R19									7.0	308	190	6.6	1.35	GFAF49R19									7.5	288	178	6.8	1.45	GF49R19								8.9	241	149	7.1	1.70	GFF49R19								10	212	131	7.3	1.95									9.2	235	145	3.5	0.85	GFA39R19	4P									10	209	129	3.9	1.00	GFAF39R19									11	191	118	4.2	1.10	GF39R19									14	159	98	4.5	1.30	GFF39R19								15	141	87	4.7	1.45									3.0	752	281.71	18	1.95	GFA79	6P									3.2	702	262.93	18	2.10	GFAF79									3.8	602	225.79	19	2.50	GF79									4.3	529	198.31	19	2.80	GFF79								4.5	503	188.40	19	2.90																																																																																																																																																																																																																																																																																																																																																																																																																																																																																										
0.77	2791	1723	32	1.60				6.7	324	200	10	1.90	GFA59R39	4P																																																																																																																																																																																																																																																																																																																																																																																																																																																																																																																																																																																																																																																																																																																																																																																																																				
0.87	2475	1528	33	1.80		7.8	275	170	11	2.25	GFF59R39	1.0	2150		1327	34	2.10		5.3		403	249	5.7	1.00	GFA49R19	4P	1.1	1897		1171	34	2.35		6.1	353	218	6.3	1.15	GFAF49R19	1.3	1656	1022	34	2.70		6.9		313	193	6.7	1.30	GF49R19	0.69	3127	1930		17	1.00	GFA89R59	4P	7.6	284	175		6.9	1.45	GFF49R19	0.78	2769	1709	23	1.10	GFAF89R59	0.89	2419	1493	24	1.30	GF89R59	1.0	2106		1300	25	1.50	GFF89R59									5.3	410		253	5.6	1.00	GFA49R19	4P								6.1	352	217	6.2	1.20	GFA49R19									7.0	308	190	6.6	1.35	GFAF49R19									7.5		288	178	6.8	1.45	GF49R19								8.9	241	149	7.1	1.70	GFF49R19								10	212	131	7.3	1.95									9.2	235	145	3.5	0.85	GFA39R19	4P								10	209	129	3.9	1.00	GFAF39R19									11	191	118	4.2	1.10	GF39R19									14	159		98	4.5	1.30	GFF39R19								15	141	87	4.7	1.45									3.0	752	281.71	18	1.95	GFA79	6P								3.2	702	262.93	18	2.10	GFAF79									3.8	602	225.79	19	2.50	GF79									4.3	529		198.31	19	2.80	GFF79								4.5	503	188.40	19	2.90																																																																																																																																																																																																																																																																																																																																																																																																																																																																																																															
1.0	2150	1327	34	2.10		5.3	403	249	5.7	1.00	GFA49R19	4P																																																																																																																																																																																																																																																																																																																																																																																																																																																																																																																																																																																																																																																																																																																																																																																																																						
1.1	1897	1171	34	2.35		6.1	353	218	6.3	1.15	GFAF49R19		1.3		1656	1022	34	2.70		6.9	313	193	6.7	1.30	GF49R19		0.69	3127	1930	17	1.00	GFA89R59	4P	7.6	284	175	6.9	1.45	GFF49R19	0.78	2769	1709	23	1.10	GFAF89R59	0.89		2419	1493	24	1.30	GF89R59	1.0	2106	1300	25	1.50	GFF89R59									5.3	410	253	5.6	1.00	GFA49R19	4P								6.1		352	217	6.2	1.20	GFA49R19								7.0	308	190	6.6	1.35	GFAF49R19									7.5	288	178	6.8	1.45	GF49R19								8.9		241	149	7.1	1.70	GFF49R19								10	212	131	7.3	1.95									9.2	235	145	3.5	0.85	GFA39R19	4P								10	209	129	3.9	1.00	GFAF39R19								11	191	118	4.2	1.10	GF39R19									14	159	98	4.5	1.30	GFF39R19								15	141		87	4.7	1.45									3.0	752	281.71	18	1.95	GFA79	6P								3.2	702	262.93	18	2.10	GFAF79								3.8	602	225.79	19	2.50	GF79									4.3	529	198.31	19	2.80	GFF79								4.5	503	188.40		19	2.90																																																																																																																																																																																																																																																																																																																																																																																																																																																																																																																																														
1.3	1656	1022	34	2.70		6.9	313	193	6.7	1.30	GF49R19		0.69	3127	1930	17	1.00	GFA89R59	4P	7.6	284	175	6.9	1.45	GFF49R19		0.78	2769	1709	23	1.10	GFAF89R59		0.89	2419	1493	24	1.30	GF89R59	1.0	2106	1300	25	1.50	GFF89R59								5.3	410	253	5.6	1.00	GFA49R19	4P									6.1	352	217	6.2	1.20		GFA49R19								7.0	308	190	6.6	1.35	GFAF49R19								7.5	288	178	6.8	1.45	GF49R19									8.9	241	149	7.1	1.70	GFF49R19								10	212	131	7.3	1.95									9.2	235	145	3.5	0.85	GFA39R19	4P								10	209	129	3.9	1.00	GFAF39R19									11	191	118	4.2	1.10	GF39R19								14	159	98	4.5	1.30	GFF39R19									15	141	87	4.7	1.45									3.0	752	281.71	18	1.95	GFA79	6P								3.2	702	262.93	18	2.10	GFAF79									3.8	602	225.79	19	2.50	GF79								4.3	529	198.31	19	2.80	GFF79									4.5	503	188.40	19	2.90																																																																																																																																																																																																																																																																																																																																																																																																																																																																																																																																																												
0.69	3127	1930	17	1.00	GFA89R59	4P	7.6	284	175	6.9	1.45		GFF49R19	0.78	2769	1709	23	1.10		GFAF89R59	0.89	2419	1493	24	1.30		GF89R59	1.0	2106	1300	25	1.50		GFF89R59								5.3	410	253	5.6	1.00	GFA49R19	4P								6.1	352	217			6.2	1.20	GFA49R19								7.0	308		190	6.6	1.35	GFAF49R19								7.5	288	178	6.8	1.45	GF49R19								8.9	241	149	7.1		1.70	GFF49R19								10	212	131	7.3	1.95									9.2	235	145	3.5	0.85	GFA39R19	4P								10	209		129	3.9	1.00	GFAF39R19								11	191		118	4.2	1.10	GF39R19								14	159	98	4.5	1.30	GFF39R19								15	141	87	4.7		1.45									3.0	752	281.71	18	1.95	GFA79	6P								3.2		702	262.93	18	2.10	GFAF79								3.8		602	225.79	19	2.50	GF79								4.3	529	198.31	19	2.80	GFF79								4.5	503	188.40	19		2.90																																																																																																																																																																																																																																																																																																																																																																																																																																																																																																																																																																				
0.78	2769	1709	23	1.10	GFAF89R59		0.89	2419	1493	24	1.30		GF89R59	1.0	2106	1300	25	1.50		GFF89R59								5.3	410	253	5.6	1.00		GFA49R19	4P								6.1	352	217	6.2	1.20		GFA49R19								7.0	308		190	6.6	1.35	GFAF49R19								7.5	288		178	6.8	1.45	GF49R19								8.9	241	149	7.1	1.70	GFF49R19								10	212	131	7.3	1.95									9.2	235	145	3.5	0.85	GFA39R19	4P								10	209	129	3.9	1.00	GFAF39R19									11	191		118	4.2	1.10	GF39R19								14	159		98	4.5	1.30	GFF39R19								15	141	87	4.7	1.45									3.0	752	281.71	18	1.95	GFA79	6P								3.2	702	262.93	18	2.10	GFAF79									3.8		602	225.79	19	2.50	GF79								4.3		529	198.31	19	2.80	GFF79								4.5	503	188.40	19	2.90																																																																																																																																																																																																																																																																																																																																																																																																																																																																																																																																																																																		
0.89	2419	1493	24	1.30	GF89R59		1.0	2106	1300	25	1.50	GFF89R59									5.3	410	253	5.6	1.00	GFA49R19	4P										6.1	352	217	6.2	1.20	GFA49R19									7.0	308	190	6.6	1.35	GFAF49R19									7.5	288	178	6.8	1.45	GF49R19									8.9	241	149	7.1	1.70	GFF49R19								10	212	131	7.3	1.95									9.2	235	145	3.5	0.85	GFA39R19	4P									10	209	129	3.9	1.00	GFAF39R19									11	191	118	4.2	1.10	GF39R19									14	159	98	4.5	1.30	GFF39R19									15	141	87	4.7	1.45									3.0	752	281.71	18	1.95	GFA79	6P									3.2	702	262.93	18	2.10	GFAF79									3.8	602	225.79	19	2.50		GF79								4.3	529	198.31	19	2.80		GFF79								4.5	503	188.40	19	2.90																																																																																																																																																																																																																																																																																																																																																																																																																																																																																																																																																																																						
1.0	2106	1300	25	1.50	GFF89R59									5.3	410	253	5.6	1.00		GFA49R19	4P									6.1	352	217	6.2	1.20		GFA49R19								7.0	308	190	6.6		1.35	GFAF49R19								7.5		288	178	6.8	1.45	GF49R19								8.9	241	149	7.1	1.70	GFF49R19								10	212	131	7.3	1.95									9.2	235	145	3.5	0.85	GFA39R19	4P									10	209	129	3.9		1.00	GFAF39R19								11	191	118	4.2		1.10	GF39R19									14	159	98	4.5	1.30	GFF39R19								15	141	87	4.7	1.45									3.0	752	281.71	18	1.95	GFA79	6P									3.2	702	262.93		18	2.10	GFAF79								3.8	602	225.79		19	2.50	GF79									4.3	529	198.31	19	2.80	GFF79								4.5	503	188.40	19	2.90																																																																																																																																																																																																																																																																																																																																																																																																																																																																																																																																																																																													
								5.3	410	253	5.6	1.00	GFA49R19	4P																																																																																																																																																																																																																																																																																																																																																																																																																																																																																																																																																																																																																																																																																																																																																																																																																				
							6.1	352	217	6.2	1.20	GFA49R19										7.0	308	190	6.6	1.35		GFAF49R19									7.5	288	178	6.8	1.45	GF49R19								8.9	241	149	7.1	1.70	GFF49R19								10	212	131	7.3	1.95									9.2	235	145	3.5	0.85	GFA39R19	4P								10	209	129	3.9	1.00	GFAF39R19								11		191	118	4.2	1.10	GF39R19										14	159	98	4.5	1.30	GFF39R19								15	141	87	4.7	1.45									3.0	752	281.71	18	1.95	GFA79	6P								3.2	702	262.93	18	2.10	GFAF79								3.8	602		225.79	19	2.50	GF79										4.3	529	198.31	19	2.80	GFF79								4.5	503	188.40	19	2.90																																																																																																																																																																																																																																																																																																																																																																																																																																																																																																																																																																																																																					
							7.0	308	190	6.6	1.35	GFAF49R19										7.5	288	178	6.8	1.45		GF49R19								8.9	241	149	7.1	1.70	GFF49R19								10	212	131	7.3	1.95									9.2	235	145	3.5	0.85	GFA39R19	4P								10	209	129	3.9	1.00	GFAF39R19									11	191	118	4.2	1.10	GF39R19								14		159	98	4.5	1.30	GFF39R19									15	141	87	4.7	1.45									3.0	752	281.71	18	1.95	GFA79	6P								3.2	702	262.93	18	2.10	GFAF79									3.8	602	225.79	19	2.50	GF79								4.3	529		198.31	19	2.80	GFF79									4.5	503	188.40	19	2.90																																																																																																																																																																																																																																																																																																																																																																																																																																																																																																																																																																																																																																			
							7.5	288	178	6.8	1.45	GF49R19										8.9	241	149	7.1	1.70	GFF49R19								10	212	131	7.3	1.95									9.2	235	145	3.5	0.85	GFA39R19	4P								10	209	129	3.9	1.00	GFAF39R19									11	191	118	4.2	1.10	GF39R19									14	159	98	4.5	1.30	GFF39R19								15		141	87	4.7	1.45									3.0	752	281.71	18	1.95	GFA79	6P								3.2	702	262.93	18	2.10	GFAF79									3.8	602	225.79	19	2.50	GF79									4.3	529	198.31	19	2.80	GFF79								4.5	503		188.40	19	2.90																																																																																																																																																																																																																																																																																																																																																																																																																																																																																																																																																																																																																																																	
							8.9	241	149	7.1	1.70	GFF49R19									10	212	131	7.3	1.95									9.2	235	145	3.5	0.85	GFA39R19	4P								10	209	129	3.9	1.00	GFAF39R19									11	191	118	4.2	1.10	GF39R19									14	159	98	4.5	1.30	GFF39R19									15	141	87	4.7	1.45									3.0	752	281.71	18	1.95	GFA79	6P								3.2	702	262.93	18	2.10	GFAF79									3.8	602	225.79	19	2.50	GF79									4.3	529	198.31	19	2.80	GFF79									4.5	503	188.40	19	2.90																																																																																																																																																																																																																																																																																																																																																																																																																																																																																																																																																																																																																																																															
							10	212	131	7.3	1.95									9.2	235	145	3.5	0.85	GFA39R19	4P								10	209	129	3.9	1.00	GFAF39R19									11	191	118	4.2	1.10	GF39R19									14	159	98	4.5	1.30	GFF39R19									15	141	87	4.7	1.45										3.0	752	281.71	18	1.95	GFA79	6P								3.2	702	262.93	18	2.10		GFAF79								3.8	602	225.79	19	2.50		GF79								4.3	529	198.31	19	2.80		GFF79								4.5	503	188.40	19	2.90																																																																																																																																																																																																																																																																																																																																																																																																																																																																																																																																																																																																																																																																												
							9.2	235	145	3.5	0.85	GFA39R19	4P																																																																																																																																																																																																																																																																																																																																																																																																																																																																																																																																																																																																																																																																																																																																																																																																																					
							10	209	129	3.9	1.00	GFAF39R19									11	191	118	4.2	1.10		GF39R19								14	159	98	4.5	1.30		GFF39R19								15	141	87	4.7	1.45										3.0	752	281.71	18	1.95	GFA79	6P								3.2	702	262.93	18	2.10	GFAF79								3.8	602	225.79	19	2.50	GF79									4.3	529	198.31	19	2.80		GFF79								4.5	503	188.40	19	2.90																																																																																																																																																																																																																																																																																																																																																																																																																																																																																																																																																																																																																																																																																																								
							11	191	118	4.2	1.10	GF39R19									14	159	98	4.5	1.30		GFF39R19								15	141	87	4.7	1.45										3.0	752	281.71	18	1.95	GFA79	6P								3.2	702	262.93	18	2.10	GFAF79									3.8	602	225.79	19	2.50	GF79								4.3	529	198.31	19	2.80	GFF79									4.5	503	188.40	19	2.90																																																																																																																																																																																																																																																																																																																																																																																																																																																																																																																																																																																																																																																																																																																						
							14	159	98	4.5	1.30	GFF39R19									15	141	87	4.7	1.45										3.0	752	281.71	18	1.95	GFA79	6P								3.2	702	262.93	18	2.10	GFAF79									3.8	602	225.79	19	2.50	GF79									4.3	529	198.31	19	2.80	GFF79								4.5	503	188.40	19	2.90																																																																																																																																																																																																																																																																																																																																																																																																																																																																																																																																																																																																																																																																																																																																				
							15	141	87	4.7	1.45										3.0	752	281.71	18	1.95	GFA79	6P								3.2	702	262.93	18	2.10	GFAF79									3.8	602	225.79	19	2.50	GF79									4.3	529	198.31	19	2.80	GFF79									4.5	503	188.40	19	2.90																																																																																																																																																																																																																																																																																																																																																																																																																																																																																																																																																																																																																																																																																																																																																	
							3.0	752	281.71	18	1.95	GFA79	6P																																																																																																																																																																																																																																																																																																																																																																																																																																																																																																																																																																																																																																																																																																																																																																																																																					
							3.2	702	262.93	18	2.10	GFAF79									3.8	602	225.79	19	2.50	GF79									4.3	529	198.31	19	2.80	GFF79									4.5	503	188.40	19	2.90																																																																																																																																																																																																																																																																																																																																																																																																																																																																																																																																																																																																																																																																																																																																																																													
							3.8	602	225.79	19	2.50	GF79									4.3	529	198.31	19	2.80	GFF79									4.5	503	188.40	19	2.90																																																																																																																																																																																																																																																																																																																																																																																																																																																																																																																																																																																																																																																																																																																																																																																											
							4.3	529	198.31	19	2.80	GFF79									4.5	503	188.40	19	2.90																																																																																																																																																																																																																																																																																																																																																																																																																																																																																																																																																																																																																																																																																																																																																																																																									
							4.5	503	188.40	19	2.90																																																																																																																																																																																																																																																																																																																																																																																																																																																																																																																																																																																																																																																																																																																																																																																																																							

**选型参数表
(恒功率)**
**Selection Table
(Constant Power)**

n_a [r/min]	M_a [N.m]	i	F_{Ra} [kN]	f_B	机型号 Type size	极数 Pole	n_a [r/min]	M_a [N.m]	i	F_{Ra} [kN]	f_B	机型号 Type size	极数 Pole																																																																																																																																																																																																																																																																																																																																																																																																																																																																																																																																																																																																																			
0.25kW							0.37kW																																																																																																																																																																																																																																																																																																																																																																																																																																																																																																																																																																																																																									
3.7	611	228.99	11	1.30	GFA69	6P	0.44	7282	3037	50	1.10	GFA109R79	4P																																																																																																																																																																																																																																																																																																																																																																																																																																																																																																																																																																																																																			
4.4	521	195.39	12	1.55	GFAF69		5.0	456	170.85	12	1.75	GF69		5.2	433	162.31	12	1.85	GFF69	6.0	380	142.40	12	2.10	GFF69	5.8	391	228.99	12	1.95	GFA69	4P	0.68	4724	1970	28	0.95	GFA99R59	4P	6.8	333	195.39	12	2.30	GFAF69	7.8	291	170.85	12	2.60	GF69	8.2	277	162.31	12	2.80	GFF69	9.3	243	142.40	12	3.10	GFF69	4.3	533	199.70	9.1	1.10	GFA59	6P	1.0	3117	1300	22	1.00	GFA89R59	4P	4.6	490	183.60	9.4	1.20	GFAF59	5.4	419	157.09	10	1.40	GF59	6.2	363	136.16	10	1.60	GFF59	6.7	340	127.27	10	1.75	GFF59	6.7	341	199.70	10	1.65	GFA59	4P	1.1	2808	1171	32	1.60	GFA89R59	4P	7.2	313	183.60	10	1.80	GFAF59	8.5	268	157.09	11	2.10	GF59	9.8	232	136.16	11	2.40	GFF59	10	217	127.27	11	2.60	GFF59	12	188	110.01	11	3.00	GFF59	5.7	400	150.06	5.5	1.00	GFA49	6P	1.6	1942	810	13	0.80	GFA79R39	4P	6.5	347	130.07	6.2	1.15	GFAF49	7.0	324	121.57	6.4	1.20	GF49	8.1	280	105.09	6.8	1.40	GFF49	7.0	325	190.76	6.2	1.15	GFA49	4P	1.9	1702	710	14	0.90	GFA79R39	4P	7.6	299	175.38	6.5	1.25	GFAF49	8.9	256	150.06	6.9	1.45	GF49	10.2	222	130.07	7.2	1.65	GFF49	10.9	207	121.57	7.3	1.80	GFF49	12.7	179	105.09	7.4	2.10	GFF49	14.9	152	89.29	7.6	2.40	GFF49	10	219	128.51	3.5	0.85	GFA39	4P	3.2	990	413	18	1.60	GFA69R39	4P	11	201	117.88	3.8	0.90	GFAF39	13	171	100.36	4.3	1.10	GF39	15	148	86.53	4.6	1.25	GFF39	16	138	80.65	4.7	1.35	GFF39	19	120	70.50	4.8	1.55	GFF39	20	113	66.09	4.9	1.65	GFF39	23	99	58.32	4.9	1.85	GFF39	24	93	54.54	5.0	2.00	GFF39	26	88	51.70	5.0	2.10	GFF39	28	80	47.02	5.1	2.30	GFF39	30	75	43.95	5.1	2.50	GFF39	35	65	38.31	5.1	2.80	GFF39	37	61	35.91	5.1	3.00	GFF39	42	54	31.69	5.2	3.40	GFF39	0.37kW							3.5	921	384	9.4	0.95	GFA69R39	4P	0.20	16084	6708	81	0.80	GFA129R79	4P	3.9	810	338	10	1.05	GFA69R39	4P	0.22	14192	5919	84	0.85	GFAF129R79	0.26	12341	5147	86	1.00	GF129R79	0.29	10857	4528	86	1.15	GFF129R79	0.34	9404	3922	86	1.35	GFF129R79	0.39	8272	3450	86	1.55	GFF129R79	0.44	7260	3028	86	1.70	GFF129R79	5.2	616	257	11	1.40	GFA59R39	4P	4.4	731	305	11	1.15	GFA69R39	4P	5.8	554	231	12	1.55	GFA59R39	6.6	482	201	10	1.30	GFAF59R39	7.3	434	181	10	1.45	GF59R39	7.6	420	175	5.7	1.00	GFA49R19	4P	5.2	611	255	8.9	1.00	GFA59R39	4P	9.0	352	147	6.4	1.20	GFAF49R19	10	312	130	6.8	1.35	GF49R19	5.1	628	262	8.7	1.00	GFA59R39	4P	6.6	482	201	10	1.30	GFAF59R39	4P	5.9	542	226	9.3	1.15	GFA59R39	6.7	480	200	10	1.30	GFAF59R39	7.8	408	170	10	1.55	GF59R39	8.8	364	152	10	1.70	GFF59R39	9.9	321	134	11	1.95	GFF59R39	2.4	1377	270.68	27	2.10	GFA89	8P	7.6	420	175	5.7	1.00	GFA49R19	4P	2.6	1299	255.37	27	2.30	GFAF89	2.9	1164	228.93	27	2.50	GF89	3.3	1003	197.20	27	2.90	GFF89	3.3	1021	270.68	27	2.80	GFA89	6P	9.0	352	147	6.4	1.20	GFAF49R19	4P	3.5	963	255.37	28	3.00	GFAF89	3.9	863	228.93	28	3.30	GF89						GFF89																																																					
5.0	456	170.85	12	1.75	GF69		5.2	433	162.31	12	1.85	GFF69		6.0	380	142.40	12	2.10	GFF69	5.8	391	228.99	12	1.95	GFA69	4P	0.68	4724	1970	28	0.95		GFA99R59	4P	6.8	333	195.39	12		2.30	GFAF69	7.8	291	170.85	12	2.60	GF69	8.2	277	162.31	12	2.80	GFF69	9.3	243	142.40	12	3.10	GFF69	4.3	533	199.70	9.1	1.10	GFA59	6P	1.0	3117	1300		22	1.00	GFA89R59	4P	4.6	490		183.60	9.4	1.20	GFAF59	5.4	419	157.09	10	1.40	GF59	6.2	363	136.16	10	1.60	GFF59	6.7	340	127.27	10	1.75	GFF59	6.7	341	199.70	10	1.65	GFA59	4P	1.1		2808	1171	32	1.60	GFA89R59	4P		7.2	313	183.60	10	1.80	GFAF59	8.5	268	157.09	11	2.10	GF59	9.8	232	136.16	11	2.40	GFF59	10	217	127.27	11	2.60	GFF59	12	188	110.01	11	3.00	GFF59	5.7	400	150.06	5.5	1.00	GFA49		6P	1.6	1942	810	13	0.80		GFA79R39	4P	6.5	347	130.07	6.2	1.15	GFAF49	7.0	324	121.57	6.4	1.20	GF49	8.1	280	105.09	6.8	1.40	GFF49	7.0	325	190.76	6.2		1.15	GFA49	4P	1.9	1702	710		14	0.90	GFA79R39	4P	7.6	299	175.38	6.5	1.25	GFAF49	8.9	256	150.06	6.9	1.45	GF49	10.2	222	130.07	7.2	1.65	GFF49	10.9	207	121.57	7.3	1.80	GFF49	12.7	179	105.09	7.4	2.10	GFF49	14.9	152	89.29	7.6	2.40	GFF49	10	219		128.51	3.5	0.85	GFA39	4P	3.2		990	413	18	1.60	GFA69R39	4P	11	201	117.88	3.8	0.90	GFAF39	13	171	100.36	4.3	1.10	GF39	15	148	86.53	4.6	1.25	GFF39	16	138	80.65	4.7	1.35	GFF39	19	120	70.50	4.8	1.55	GFF39	20	113	66.09	4.9	1.65	GFF39	23	99	58.32	4.9	1.85	GFF39	24	93	54.54	5.0	2.00	GFF39	26	88	51.70	5.0	2.10	GFF39	28	80	47.02	5.1	2.30	GFF39	30	75	43.95	5.1	2.50	GFF39	35	65	38.31	5.1	2.80	GFF39	37	61	35.91	5.1	3.00	GFF39	42	54	31.69	5.2	3.40	GFF39	0.37kW								3.5	921	384	9.4	0.95	GFA69R39		4P	0.20	16084	6708	81	0.80		GFA129R79	4P	3.9	810	338	10	1.05	GFA69R39	4P	0.22	14192	5919	84	0.85	GFAF129R79	0.26	12341	5147	86	1.00	GF129R79	0.29	10857	4528	86	1.15	GFF129R79	0.34	9404	3922	86	1.35	GFF129R79	0.39	8272	3450	86	1.55	GFF129R79	0.44	7260	3028		86	1.70	GFF129R79	5.2	616	257		11	1.40	GFA59R39	4P	4.4	731	305	11	1.15	GFA69R39	4P	5.8	554	231	12	1.55	GFA59R39	6.6	482	201	10	1.30	GFAF59R39	7.3		434	181	10	1.45	GF59R39	7.6		420	175	5.7	1.00	GFA49R19	4P	5.2	611	255	8.9	1.00	GFA59R39	4P	9.0	352	147	6.4	1.20		GFAF49R19	10	312	130	6.8	1.35		GF49R19	5.1	628	262	8.7	1.00	GFA59R39	4P	6.6	482	201	10	1.30	GFAF59R39	4P	5.9	542	226	9.3	1.15	GFA59R39	6.7	480	200	10	1.30	GFAF59R39	7.8	408	170	10	1.55	GF59R39	8.8	364	152		10	1.70	GFF59R39	9.9	321	134		11	1.95	GFF59R39	2.4	1377	270.68	27	2.10	GFA89	8P	7.6	420	175	5.7	1.00	GFA49R19	4P	2.6	1299	255.37	27	2.30	GFAF89	2.9		1164	228.93	27	2.50	GF89	3.3		1003	197.20	27	2.90	GFF89	3.3	1021	270.68	27	2.80	GFA89	6P	9.0	352	147	6.4	1.20	GFAF49R19	4P	3.5	963	255.37	28	3.00	GFAF89	3.9	863	228.93	28	3.30	GF89						GFF89																																		
5.2	433	162.31	12	1.85	GFF69		6.0	380	142.40	12	2.10	GFF69		5.8	391	228.99	12	1.95	GFA69	4P	0.68	4724	1970	28	0.95		GFA99R59	4P	6.8	333	195.39		12		2.30	GFAF69	7.8	291		170.85	12	2.60	GF69	8.2	277	162.31	12	2.80	GFF69	9.3	243	142.40	12	3.10	GFF69	4.3	533	199.70	9.1	1.10	GFA59	6P	1.0	3117	1300		22	1.00	GFA89R59		4P	4.6	490		183.60	9.4		1.20	GFAF59	5.4	419	157.09	10	1.40	GF59	6.2	363	136.16	10	1.60	GFF59	6.7	340	127.27	10	1.75	GFF59	6.7	341	199.70	10	1.65	GFA59	4P	1.1		2808		1171	32	1.60	GFA89R59	4P			7.2	313	183.60	10	1.80	GFAF59	8.5	268	157.09	11	2.10	GF59	9.8	232	136.16	11	2.40	GFF59	10	217	127.27	11	2.60	GFF59	12	188	110.01	11	3.00	GFF59	5.7	400	150.06	5.5	1.00	GFA49			6P	1.6	1942	810	13		0.80		GFA79R39	4P	6.5	347	130.07	6.2	1.15	GFAF49	7.0	324	121.57	6.4	1.20	GF49	8.1	280	105.09	6.8	1.40	GFF49	7.0	325		190.76	6.2		1.15	GFA49	4P		1.9	1702	710		14	0.90	GFA79R39	4P	7.6	299	175.38	6.5	1.25	GFAF49	8.9	256	150.06	6.9	1.45	GF49	10.2	222	130.07	7.2	1.65	GFF49	10.9	207	121.57	7.3	1.80	GFF49	12.7	179	105.09	7.4	2.10	GFF49	14.9	152	89.29	7.6		2.40	GFF49	10	219		128.51		3.5	0.85	GFA39	4P	3.2		990	413	18	1.60	GFA69R39	4P	11	201	117.88	3.8	0.90	GFAF39	13	171	100.36	4.3	1.10	GF39	15	148	86.53	4.6	1.25	GFF39	16	138	80.65	4.7	1.35	GFF39	19	120	70.50	4.8	1.55	GFF39	20	113	66.09	4.9	1.65	GFF39	23	99	58.32	4.9	1.85	GFF39	24	93	54.54	5.0	2.00	GFF39	26	88	51.70	5.0	2.10	GFF39	28	80	47.02	5.1	2.30	GFF39	30	75	43.95	5.1	2.50	GFF39	35	65	38.31	5.1	2.80	GFF39	37	61	35.91	5.1	3.00	GFF39	42	54	31.69	5.2	3.40	GFF39	0.37kW							3.5			921	384	9.4	0.95	GFA69R39		4P		0.20	16084	6708	81	0.80	GFA129R79		4P	3.9	810	338	10	1.05	GFA69R39	4P	0.22	14192	5919	84	0.85	GFAF129R79	0.26	12341	5147	86	1.00	GF129R79	0.29	10857	4528	86	1.15	GFF129R79	0.34	9404	3922	86	1.35	GFF129R79	0.39		8272	3450	86	1.55	GFF129R79	0.44		7260	3028	86		1.70	GFF129R79	5.2	616	257	11		1.40	GFA59R39	4P	4.4	731	305	11	1.15	GFA69R39	4P	5.8	554	231		12	1.55	GFA59R39	6.6	482	201		10	1.30	GFAF59R39	7.3	434		181	10	1.45	GF59R39	7.6	420		175	5.7	1.00	GFA49R19	4P		5.2	611	255	8.9	1.00	GFA59R39		4P	9.0	352	147	6.4	1.20	GFAF49R19		10	312	130	6.8	1.35	GF49R19		5.1	628	262	8.7	1.00	GFA59R39	4P	6.6	482	201	10	1.30	GFAF59R39	4P	5.9	542	226	9.3	1.15	GFA59R39	6.7		480	200	10	1.30	GFAF59R39	7.8		408	170	10	1.55	GF59R39	8.8	364	152	10		1.70	GFF59R39	9.9	321	134	11		1.95	GFF59R39	2.4	1377	270.68	27	2.10		GFA89	8P	7.6	420	175	5.7		1.00	GFA49R19	4P	2.6	1299	255.37	27	2.30	GFAF89	2.9	1164		228.93	27	2.50	GF89	3.3	1003		197.20	27	2.90	GFF89	3.3	1021	270.68	27	2.80	GFA89	6P	9.0	352	147	6.4	1.20	GFAF49R19	4P	3.5	963	255.37	28	3.00	GFAF89	3.9	863	228.93	28	3.30	GF89						GFF89																
6.0	380	142.40	12	2.10	GFF69		5.8	391	228.99	12	1.95	GFA69		4P	0.68	4724	1970	28	0.95		GFA99R59	4P	6.8	333	195.39		12		2.30	GFAF69	7.8		291		170.85	12	2.60	GF69		8.2	277	162.31	12	2.80	GFF69	9.3	243	142.40	12	3.10	GFF69	4.3	533	199.70	9.1	1.10	GFA59	6P	1.0	3117	1300		22	1.00	GFA89R59		4P	4.6	490			183.60	9.4		1.20	GFAF59		5.4	419	157.09	10	1.40	GF59	6.2	363	136.16	10	1.60	GFF59	6.7	340	127.27	10	1.75	GFF59	6.7	341	199.70	10	1.65	GFA59	4P	1.1		2808		1171		32	1.60	GFA89R59	4P				7.2	313	183.60	10	1.80	GFAF59	8.5	268	157.09	11	2.10	GF59	9.8	232	136.16	11	2.40	GFF59	10	217	127.27	11	2.60	GFF59	12	188	110.01	11	3.00	GFF59	5.7	400	150.06	5.5	1.00	GFA49				6P	1.6	1942	810		13		0.80		GFA79R39	4P	6.5	347	130.07	6.2	1.15	GFAF49	7.0	324	121.57	6.4	1.20	GF49	8.1	280	105.09	6.8	1.40	GFF49		7.0	325		190.76	6.2			1.15	GFA49	4P		1.9	1702	710		14	0.90	GFA79R39	4P	7.6	299	175.38	6.5	1.25	GFAF49	8.9	256	150.06	6.9	1.45	GF49	10.2	222	130.07	7.2	1.65	GFF49	10.9	207	121.57	7.3	1.80	GFF49	12.7	179	105.09	7.4	2.10	GFF49		14.9	152	89.29	7.6		2.40		GFF49	10	219		128.51		3.5	0.85	GFA39	4P	3.2		990	413	18	1.60	GFA69R39	4P	11	201	117.88	3.8	0.90	GFAF39	13	171	100.36	4.3	1.10	GF39	15	148	86.53	4.6	1.25	GFF39	16	138	80.65	4.7	1.35	GFF39	19	120	70.50	4.8	1.55	GFF39	20	113	66.09	4.9	1.65	GFF39	23	99	58.32	4.9	1.85	GFF39	24	93	54.54	5.0	2.00	GFF39	26	88	51.70	5.0	2.10	GFF39	28	80	47.02	5.1	2.30	GFF39	30	75	43.95	5.1	2.50	GFF39	35	65	38.31	5.1	2.80	GFF39	37	61	35.91	5.1	3.00	GFF39	42		54	31.69	5.2	3.40	GFF39	0.37kW							3.5				921	384	9.4	0.95	GFA69R39	4P			0.20	16084	6708	81	0.80	GFA129R79		4P	3.9	810	338	10	1.05	GFA69R39	4P	0.22	14192	5919	84	0.85	GFAF129R79	0.26	12341	5147	86	1.00	GF129R79	0.29	10857	4528	86	1.15		GFF129R79	0.34	9404	3922	86	1.35		GFF129R79	0.39	8272		3450	86	1.55	GFF129R79	0.44	7260		3028	86		1.70	GFF129R79	5.2	616	257	11		1.40	GFA59R39	4P		4.4	731	305	11	1.15	GFA69R39		4P	5.8	554	231	12		1.55	GFA59R39	6.6	482	201	10		1.30	GFAF59R39	7.3	434			181	10	1.45	GF59R39	7.6	420			175	5.7	1.00	GFA49R19	4P	5.2		611	255	8.9	1.00	GFA59R39	4P		9.0	352	147	6.4	1.20	GFAF49R19		10	312	130	6.8	1.35	GF49R19		5.1	628	262	8.7	1.00	GFA59R39	4P		6.6	482	201	10	1.30	GFAF59R39		4P	5.9	542	226	9.3	1.15	GFA59R39	6.7	480		200	10	1.30	GFAF59R39	7.8	408		170	10	1.55	GF59R39	8.8	364	152		10		1.70	GFF59R39	9.9	321		134	11		1.95	GFF59R39	2.4	1377	270.68	27	2.10	GFA89		8P	7.6	420	175	5.7	1.00		GFA49R19	4P	2.6	1299	255.37	27	2.30	GFAF89	2.9	1164		228.93	27	2.50	GF89	3.3	1003		197.20	27	2.90	GFF89	3.3	1021	270.68	27	2.80	GFA89	6P	9.0	352	147	6.4	1.20	GFAF49R19	4P	3.5	963	255.37	28	3.00	GFAF89	3.9	863	228.93	28	3.30	GF89				
5.8	391	228.99	12	1.95	GFA69	4P	0.68	4724	1970	28	0.95	GFA99R59	4P																																																																																																																																																																																																																																																																																																																																																																																																																																																																																																																																																																																																																			
6.8	333	195.39	12	2.30	GFAF69		7.8	291	170.85	12	2.60	GF69			8.2	277	162.31	12	2.80		GFF69		9.3	243	142.40		12		3.10	GFF69	4.3	533	199.70		9.1	1.10	GFA59	6P	1.0	3117	1300	22	1.00	GFA89R59	4P	4.6	490	183.60	9.4	1.20	GFAF59	5.4	419	157.09	10	1.40	GF59		6.2	363	136.16		10	1.60	GFF59			6.7	340	127.27		10	1.75		GFF59	6.7	341	199.70	10	1.65	GFA59	4P	1.1	2808	1171	32	1.60	GFA89R59	4P	7.2	313	183.60	10	1.80	GFAF59	8.5	268	157.09	11	2.10	GF59		9.8		232		136.16	11	2.40	GFF59	10				217	127.27	11	2.60	GFF59	12	188	110.01	11	3.00	GFF59	5.7	400	150.06	5.5	1.00	GFA49	6P	1.6	1942	810	13	0.80	GFA79R39	4P	6.5	347	130.07	6.2	1.15	GFAF49	7.0	324	121.57	6.4	1.20	GF49	8.1				280	105.09	6.8	1.40	GFF49		7.0		325		190.76	6.2	1.15	GFA49	4P	1.9	1702	710	14	0.90	GFA79R39	4P	7.6	299	175.38	6.5	1.25	GFAF49	8.9	256	150.06		6.9	1.45		GF49	10.2	222			130.07	7.2	1.65		GFF49	10.9	207		121.57	7.3	1.80	GFF49	12.7	179	105.09	7.4	2.10	GFF49	14.9	152	89.29	7.6	2.40	GFF49	10	219	128.51	3.5	0.85	GFA39	4P	3.2	990	413	18	1.60	GFA69R39	4P		11	201	117.88	3.8		0.90	GFAF39	13	171	100.36		4.3		1.10	GF39	15		148		86.53	4.6	1.25	GFF39	16		138	80.65	4.7	1.35	GFF39	19	120	70.50	4.8	1.55	GFF39	20	113	66.09	4.9	1.65	GFF39	23	99	58.32	4.9	1.85	GFF39	24	93	54.54	5.0	2.00	GFF39	26	88	51.70	5.0	2.10	GFF39	28	80	47.02	5.1	2.30	GFF39	30	75	43.95	5.1	2.50	GFF39	35	65	38.31	5.1	2.80	GFF39	37	61	35.91	5.1	3.00	GFF39	42	54	31.69	5.2	3.40	GFF39	0.37kW							3.5	921	384	9.4	0.95	GFA69R39	4P	0.20	16084	6708	81	0.80	GFA129R79	4P			3.9	810	338	10	1.05	GFA69R39			4P	0.22	14192	5919	84				0.85	GFAF129R79	0.26	12341	5147	86			1.00	GF129R79	0.29	10857	4528	86		1.15	GFF129R79	0.34	9404	3922	86	1.35	GFF129R79	0.39	8272	3450	86	1.55	GFF129R79	0.44	7260	3028	86	1.70	GFF129R79	5.2	616	257	11	1.40	GFA59R39	4P	4.4		731	305	11	1.15	GFA69R39	4P		5.8	554		231	12	1.55	GFA59R39	6.6	482		201	10		1.30	GFAF59R39	7.3	434	181	10	1.45	GF59R39		7.6	420	175	5.7		1.00	GFA49R19	4P	5.2	611	255		8.9	1.00	GFA59R39	4P		9.0	352	147	6.4	1.20	GFAF49R19	10	312		130	6.8	1.35	GF49R19		5.1		628	262	8.7	1.00	GFA59R39			4P	6.6	482	201	10	1.30		GFAF59R39	4P	5.9	542	226	9.3		1.15	GFA59R39	6.7	480	200	10		1.30	GFAF59R39	7.8	408	170	10	1.55	GF59R39		8.8	364	152	10	1.70	GFF59R39	9.9	321		134	11	1.95	GFF59R39	2.4	1377		270.68	27	2.10	GFA89	8P	7.6	420	175	5.7		1.00	GFA49R19	4P	2.6	1299	255.37	27		2.30	GFAF89	2.9	1164	228.93	27	2.50	GF89	3.3		1003	197.20	27	2.90	GFF89	3.3	1021		270.68	27	2.80	GFA89	6P	9.0	352	147		6.4	1.20	GFAF49R19	4P	3.5	963		255.37	28	3.00	GFAF89	3.9	863	228.93	28	3.30	GF89							GFF89																	
7.8	291	170.85	12	2.60	GF69		8.2	277	162.31	12	2.80	GFF69			9.3	243	142.40	12	3.10		GFF69		4.3	533	199.70	9.1	1.10		GFA59	6P	1.0	3117	1300	22	1.00	GFA89R59	4P		4.6	490	183.60	9.4	1.20	GFAF59		5.4	419	157.09	10	1.40	GF59	6.2	363	136.16	10	1.60	GFF59		6.7	340	127.27		10	1.75	GFF59	6.7		341	199.70	10		1.65	GFA59	4P	1.1	2808	1171	32	1.60	GFA89R59	4P		7.2	313	183.60	10	1.80	GFAF59		8.5	268	157.09	11	2.10	GF59	9.8	232	136.16	11	2.40	GFF59		10		217	127.27	11	2.60	GFF59	12	188			110.01	11	3.00	GFF59	5.7	400	150.06	5.5	1.00	GFA49	6P	1.6	1942	810	13	0.80	GFA79R39	4P		6.5	347	130.07	6.2	1.15	GFAF49		7.0	324	121.57	6.4	1.20	GF49	8.1	280	105.09	6.8	1.40	GFF49	7.0	325			190.76	6.2	1.15	GFA49	4P	1.9	1702		710		14	0.90	GFA79R39	4P		7.6	299	175.38	6.5	1.25	GFAF49		8.9	256	150.06	6.9	1.45	GF49	10.2	222	130.07	7.2	1.65	GFF49		10.9	207	121.57		7.3	1.80	GFF49	12.7		179	105.09	7.4		2.10	GFF49	14.9	152	89.29	7.6	2.40	GFF49	10	219	128.51	3.5	0.85	GFA39	4P	3.2	990	413	18	1.60	GFA69R39	4P		11	201	117.88	3.8	0.90	GFAF39			13	171	100.36	4.3		1.10	GF39	15	148	86.53		4.6	1.25	GFF39	16	138		80.65		4.7	1.35	GFF39	19	120		70.50	4.8	1.55	GFF39	20	113	66.09	4.9	1.65	GFF39	23	99	58.32	4.9	1.85	GFF39	24	93	54.54	5.0	2.00	GFF39	26	88	51.70	5.0	2.10	GFF39	28	80	47.02	5.1	2.30	GFF39	30	75	43.95	5.1	2.50	GFF39	35	65	38.31	5.1	2.80	GFF39	37	61	35.91	5.1	3.00	GFF39	42	54	31.69	5.2	3.40	GFF39	0.37kW							3.5	921	384	9.4	0.95	GFA69R39	4P	0.20	16084	6708	81	0.80	GFA129R79		4P	3.9	810	338	10	1.05			GFA69R39	4P	0.22	14192	5919	84	0.85				GFAF129R79	0.26	12341	5147		86		1.00	GF129R79	0.29	10857	4528	86			1.15	GFF129R79	0.34	9404	3922	86		1.35	GFF129R79	0.39	8272	3450	86	1.55	GFF129R79	0.44	7260	3028	86	1.70	GFF129R79	5.2	616	257	11	1.40	GFA59R39	4P	4.4	731	305	11	1.15		GFA69R39	4P	5.8	554	231	12	1.55		GFA59R39	6.6	482		201	10	1.30	GFAF59R39	7.3	434		181	10		1.45	GF59R39	7.6	420	175	5.7	1.00	GFA49R19		4P	5.2	611	255	8.9	1.00	GFA59R39		4P	9.0	352	147	6.4	1.20	GFAF49R19			10	312	130	6.8	1.35	GF49R19	5.1	628		262	8.7	1.00	GFA59R39		4P	6.6	482	201	10	1.30	GFAF59R39		4P		5.9	542	226	9.3	1.15		GFA59R39		6.7	480	200	10		1.30	GFAF59R39	7.8	408	170	10		1.55	GF59R39	8.8	364	152	10	1.70	GFF59R39		9.9	321	134	11	1.95	GFF59R39	2.4	1377	270.68	27	2.10	GFA89	8P	7.6	420	175	5.7	1.00	GFA49R19	4P		2.6	1299	255.37	27		2.30	GFAF89		2.9	1164	228.93	27		2.50	GF89	3.3	1003	197.20	27	2.90	GFF89	3.3		1021	270.68	27	2.80	GFA89	6P	9.0		352	147	6.4	1.20		GFAF49R19	4P	3.5	963	255.37	28	3.00		GFAF89	3.9	863	228.93	28	3.30	GF89						GFF89																								
8.2	277	162.31	12	2.80	GFF69		9.3	243	142.40	12	3.10	GFF69			4.3	533	199.70	9.1	1.10	GFA59	6P		1.0	3117	1300	22	1.00	GFA89R59	4P		4.6	490	183.60	9.4	1.20	GFAF59			5.4	419	157.09	10	1.40	GF59		6.2	363	136.16	10	1.60	GFF59	6.7	340	127.27	10	1.75	GFF59		6.7	341	199.70	10	1.65	GFA59	4P	1.1		2808	1171	32	1.60	GFA89R59	4P		7.2	313	183.60	10	1.80	GFAF59			8.5	268	157.09	11	2.10	GF59		9.8	232	136.16	11	2.40	GFF59	10	217	127.27	11	2.60	GFF59		12	188	110.01	11	3.00	GFF59	5.7	400	150.06		5.5	1.00	GFA49	6P	1.6	1942	810	13	0.80	GFA79R39	4P		6.5	347	130.07	6.2	1.15	GFAF49			7.0	324	121.57	6.4	1.20	GF49		8.1	280	105.09	6.8	1.40	GFF49	7.0	325	190.76	6.2	1.15	GFA49	4P	1.9	1702		710	14	0.90	GFA79R39		4P	7.6	299	175.38		6.5	1.25	GFAF49			8.9	256	150.06	6.9	1.45	GF49		10.2	222	130.07	7.2	1.65	GFF49	10.9	207	121.57	7.3	1.80	GFF49	12.7	179	105.09	7.4		2.10	GFF49	14.9	152	89.29	7.6	2.40	GFF49		10	219	128.51	3.5	0.85	GFA39	4P	3.2	990	413	18	1.60	GFA69R39	4P		11	201	117.88	3.8	0.90	GFAF39			13	171	100.36	4.3	1.10	GF39			15	148	86.53	4.6		1.25	GFF39	16	138	80.65		4.7	1.35	GFF39	19	120		70.50	4.8	1.55	GFF39	20	113	66.09		4.9	1.65	GFF39	23	99	58.32	4.9	1.85	GFF39	24	93	54.54	5.0	2.00	GFF39	26	88	51.70	5.0	2.10	GFF39	28	80	47.02	5.1	2.30	GFF39	30	75	43.95	5.1	2.50	GFF39	35	65	38.31	5.1	2.80	GFF39	37	61	35.91	5.1	3.00	GFF39	42	54	31.69	5.2	3.40	GFF39	0.37kW							3.5	921	384	9.4	0.95	GFA69R39	4P	0.20	16084	6708	81	0.80	GFA129R79		4P	3.9	810	338	10	1.05			GFA69R39	4P	0.22	14192	5919		84	0.85		GFAF129R79	0.26	12341	5147	86	1.00			GF129R79	0.29	10857	4528		86		1.15	GFF129R79	0.34	9404	3922	86	1.35		GFF129R79	0.39	8272	3450	86	1.55		GFF129R79	0.44	7260	3028	86	1.70	GFF129R79	5.2	616	257	11	1.40	GFA59R39	4P	4.4	731	305	11	1.15	GFA69R39		4P	5.8	554	231	12		1.55		GFA59R39	6.6	482	201	10		1.30	GFAF59R39	7.3	434	181	10	1.45	GF59R39	7.6	420	175	5.7	1.00		GFA49R19	4P	5.2	611	255	8.9	1.00	GFA59R39			4P	9.0	352	147	6.4	1.20			GFAF49R19	10	312	130	6.8	1.35		GF49R19	5.1	628	262	8.7	1.00	GFA59R39	4P	6.6	482	201	10	1.30	GFAF59R39			4P	5.9	542	226	9.3	1.15				GFA59R39	6.7	480	200	10	1.30	GFAF59R39		7.8	408	170	10	1.55	GF59R39	8.8	364	152	10	1.70		GFF59R39	9.9	321	134	11	1.95	GFF59R39	2.4		1377	270.68	27	2.10	GFA89	8P	7.6	420	175	5.7	1.00	GFA49R19		4P	2.6	1299	255.37	27	2.30			GFAF89	2.9	1164	228.93	27	2.50	GF89		3.3	1003	197.20	27	2.90	GFF89	3.3	1021	270.68	27	2.80	GFA89	6P	9.0		352	147	6.4	1.20	GFAF49R19		4P		3.5	963	255.37	28		3.00		GFAF89	3.9	863	228.93	28		3.30	GF89						GFF89																													
9.3	243	142.40	12	3.10	GFF69		4.3	533	199.70	9.1	1.10	GFA59		6P	1.0	3117	1300	22	1.00	GFA89R59		4P	4.6	490	183.60	9.4	1.20	GFAF59			5.4	419	157.09	10	1.40	GF59			6.2	363	136.16	10	1.60	GFF59		6.7	340	127.27	10	1.75	GFF59	6.7	341	199.70	10	1.65	GFA59	4P	1.1	2808	1171	32	1.60	GFA89R59		4P	7.2	313	183.60	10	1.80	GFAF59			8.5	268	157.09	11	2.10	GF59			9.8	232	136.16	11	2.40	GFF59		10	217	127.27	11	2.60	GFF59	12	188	110.01	11	3.00	GFF59	5.7	400	150.06	5.5	1.00	GFA49	6P	1.6	1942	810	13	0.80	GFA79R39	4P		6.5	347	130.07	6.2	1.15	GFAF49			7.0	324	121.57	6.4	1.20	GF49			8.1	280	105.09	6.8	1.40	GFF49		7.0	325	190.76	6.2	1.15	GFA49	4P	1.9	1702	710	14	0.90		GFA79R39	4P	7.6	299	175.38	6.5	1.25			GFAF49	8.9	256	150.06	6.9	1.45	GF49			10.2	222	130.07	7.2	1.65	GFF49		10.9	207	121.57	7.3	1.80	GFF49	12.7	179	105.09	7.4	2.10	GFF49	14.9	152	89.29	7.6	2.40	GFF49	10	219	128.51	3.5	0.85	GFA39	4P	3.2	990	413	18	1.60	GFA69R39	4P		11	201	117.88	3.8	0.90	GFAF39			13	171	100.36	4.3	1.10	GF39			15	148	86.53	4.6	1.25	GFF39			16	138	80.65	4.7		1.35	GFF39	19	120	70.50		4.8	1.55	GFF39	20	113		66.09	4.9	1.65	GFF39	23	99	58.32	4.9	1.85	GFF39	24	93	54.54	5.0	2.00	GFF39	26	88	51.70	5.0	2.10	GFF39	28	80	47.02	5.1	2.30	GFF39	30	75	43.95	5.1	2.50	GFF39	35	65	38.31	5.1	2.80	GFF39	37	61	35.91	5.1	3.00	GFF39	42	54	31.69	5.2	3.40	GFF39	0.37kW							3.5	921	384	9.4	0.95	GFA69R39	4P	0.20	16084	6708	81	0.80	GFA129R79		4P	3.9	810	338	10	1.05			GFA69R39	4P	0.22	14192	5919			84		0.85	GFAF129R79	0.26		12341	5147		86	1.00	GF129R79	0.29	10857	4528	86		1.15	GFF129R79	0.34	9404	3922	86		1.35	GFF129R79	0.39	8272	3450	86	1.55		GFF129R79	0.44	7260	3028	86	1.70	GFF129R79	5.2	616	257	11	1.40	GFA59R39	4P	4.4	731	305	11	1.15	GFA69R39		4P	5.8	554	231	12	1.55			GFA59R39	6.6	482	201		10		1.30	GFAF59R39	7.3	434	181		10	1.45	GF59R39	7.6	420	175	5.7	1.00	GFA49R19	4P	5.2	611	255	8.9	1.00		GFA59R39	4P	9.0	352	147	6.4	1.20			GFAF49R19	10	312	130	6.8			1.35	GF49R19	5.1	628	262	8.7		1.00	GFA59R39	4P	6.6	482	201	10		1.30	GFAF59R39	4P	5.9	542	226	9.3			1.15	GFA59R39	6.7	480	200	10			1.30	GFAF59R39	7.8	408	170	10	1.55		GF59R39	8.8	364	152	10	1.70	GFF59R39	9.9	321	134	11	1.95	GFF59R39	2.4	1377	270.68	27	2.10	GFA89	8P	7.6	420	175	5.7	1.00	GFA49R19		4P	2.6	1299	255.37	27	2.30			GFAF89	2.9	1164	228.93	27			2.50	GF89	3.3	1003	197.20	27	2.90		GFF89	3.3	1021	270.68	27	2.80	GFA89	6P	9.0	352	147	6.4		1.20	GFAF49R19	4P	3.5	963	255.37	28			3.00	GFAF89	3.9	863	228.93		28		3.30	GF89							GFF89																																		
4.3	533	199.70	9.1	1.10	GFA59	6P	1.0	3117	1300	22	1.00	GFA89R59	4P																																																																																																																																																																																																																																																																																																																																																																																																																																																																																																																																																																																																																			
4.6	490	183.60	9.4	1.20	GFAF59		5.4	419	157.09	10	1.40	GF59			6.2	363	136.16	10	1.60	GFF59			6.7	340	127.27	10	1.75	GFF59			6.7	341	199.70	10	1.65	GFA59		4P	1.1	2808	1171	32	1.60	GFA89R59	4P	7.2	313	183.60	10	1.80	GFAF59	8.5	268	157.09	11	2.10	GF59		9.8	232	136.16	11	2.40	GFF59			10	217	127.27	11	2.60	GFF59			12	188	110.01	11	3.00	GFF59		5.7	400	150.06	5.5	1.00	GFA49	6P	1.6	1942	810	13	0.80	GFA79R39	4P	6.5	347	130.07	6.2	1.15	GFAF49	7.0	324	121.57	6.4	1.20	GF49		8.1	280	105.09	6.8	1.40	GFF49			7.0	325	190.76	6.2	1.15	GFA49			4P	1.9	1702	710	14	0.90		GFA79R39	4P	7.6	299	175.38	6.5	1.25	GFAF49	8.9	256	150.06	6.9	1.45	GF49		10.2	222	130.07	7.2	1.65		GFF49		10.9	207	121.57	7.3	1.80			GFF49	12.7	179	105.09	7.4	2.10	GFF49		14.9	152	89.29	7.6	2.40	GFF49	10	219	128.51	3.5	0.85	GFA39	4P	3.2	990	413	18	1.60	GFA69R39	4P	11	201	117.88	3.8	0.90	GFAF39	13	171	100.36	4.3	1.10	GF39		15	148	86.53	4.6	1.25	GFF39			16	138	80.65	4.7	1.35	GFF39			19	120	70.50	4.8	1.55	GFF39			20	113	66.09	4.9	1.65	GFF39	23		99	58.32	4.9	1.85		GFF39	24	93	54.54	5.0		2.00	GFF39	26	88	51.70		5.0	2.10	GFF39	28	80	47.02	5.1	2.30	GFF39	30	75	43.95	5.1	2.50	GFF39	35	65	38.31	5.1	2.80	GFF39	37	61	35.91	5.1	3.00	GFF39	42	54	31.69	5.2	3.40	GFF39	0.37kW							3.5	921	384	9.4	0.95	GFA69R39	4P	0.20	16084	6708	81	0.80	GFA129R79	4P	3.9	810	338	10	1.05	GFA69R39	4P	0.22	14192	5919	84		0.85	GFAF129R79	0.26	12341	5147	86			1.00	GF129R79	0.29	10857	4528			86		1.15	GFF129R79	0.34	9404		3922		86	1.35	GFF129R79		0.39	8272		3450	86	1.55	GFF129R79	0.44	7260	3028	86	1.70	GFF129R79	5.2	616	257	11	1.40	GFA59R39	4P	4.4	731	305	11	1.15	GFA69R39	4P	5.8	554	231	12	1.55	GFA59R39	6.6	482	201	10	1.30	GFAF59R39		7.3	434	181	10	1.45	GF59R39			7.6	420	175	5.7	1.00			GFA49R19	4P	5.2	611	255	8.9		1.00	GFA59R39	4P	9.0	352	147	6.4	1.20	GFAF49R19	10	312	130	6.8	1.35	GF49R19		5.1	628	262	8.7	1.00		GFA59R39		4P	6.6	482	201	10			1.30	GFAF59R39	4P	5.9	542	226		9.3	1.15	GFA59R39	6.7	480	200	10	1.30	GFAF59R39		7.8	408	170	10		1.55	GF59R39		8.8	364	152	10			1.70	GFF59R39	9.9	321	134	11		1.95	GFF59R39	2.4	1377	270.68	27	2.10	GFA89	8P	7.6	420	175	5.7	1.00	GFA49R19	4P	2.6	1299	255.37	27	2.30	GFAF89	2.9	1164	228.93	27	2.50	GF89		3.3	1003	197.20	27	2.90	GFF89			3.3	1021	270.68	27	2.80			GFA89	6P	9.0	352	147		6.4	1.20	GFAF49R19	4P	3.5	963	255.37	28	3.00	GFAF89	3.9	863	228.93	28	3.30	GF89								GFF89																																																										
5.4	419	157.09	10	1.40	GF59		6.2	363	136.16	10	1.60	GFF59			6.7	340	127.27	10	1.75	GFF59			6.7	341	199.70	10	1.65	GFA59		4P	1.1	2808	1171	32	1.60	GFA89R59	4P		7.2	313	183.60	10	1.80	GFAF59		8.5	268	157.09	11	2.10	GF59	9.8	232	136.16	11	2.40	GFF59		10	217	127.27	11	2.60	GFF59			12	188	110.01	11	3.00	GFF59		5.7	400	150.06	5.5	1.00	GFA49	6P	1.6	1942	810	13	0.80	GFA79R39	4P		6.5	347	130.07	6.2	1.15	GFAF49		7.0	324	121.57	6.4	1.20	GF49	8.1	280	105.09	6.8	1.40	GFF49		7.0	325	190.76	6.2	1.15	GFA49			4P	1.9	1702	710	14	0.90		GFA79R39		4P	7.6	299	175.38	6.5	1.25	GFAF49		8.9	256	150.06	6.9	1.45	GF49	10.2	222	130.07	7.2	1.65	GFF49		10.9	207	121.57	7.3	1.80		GFF49		12.7	179	105.09	7.4	2.10	GFF49		14.9	152	89.29	7.6	2.40	GFF49	10	219	128.51	3.5	0.85	GFA39	4P	3.2	990	413	18	1.60	GFA69R39	4P		11	201	117.88	3.8	0.90	GFAF39		13	171	100.36	4.3	1.10	GF39	15	148	86.53	4.6	1.25	GFF39		16	138	80.65	4.7	1.35	GFF39			19	120	70.50	4.8	1.55	GFF39			20	113	66.09	4.9	1.65	GFF39	23		99	58.32	4.9	1.85	GFF39	24	93		54.54	5.0	2.00	GFF39		26	88	51.70	5.0	2.10		GFF39	28	80	47.02	5.1		2.30	GFF39	30	75	43.95	5.1	2.50	GFF39	35	65	38.31	5.1	2.80	GFF39	37	61	35.91	5.1	3.00	GFF39	42	54	31.69	5.2	3.40	GFF39	0.37kW							3.5	921	384	9.4	0.95	GFA69R39	4P	0.20	16084	6708	81	0.80	GFA129R79		4P	3.9	810	338	10	1.05		GFA69R39	4P	0.22	14192	5919	84		0.85	GFAF129R79	0.26	12341		5147	86	1.00	GF129R79	0.29	10857			4528	86	1.15	GFF129R79	0.34	9404		3922		86	1.35	GFF129R79	0.39		8272		3450	86	1.55		GFF129R79	0.44	7260	3028	86	1.70	GFF129R79	5.2	616	257	11	1.40	GFA59R39	4P	4.4	731	305	11	1.15		GFA69R39	4P	5.8	554	231	12		1.55	GFA59R39	6.6	482	201	10	1.30	GFAF59R39	7.3	434	181	10		1.45	GF59R39	7.6	420	175	5.7			1.00	GFA49R19	4P	5.2	611	255		8.9		1.00	GFA59R39	4P	9.0	352	147	6.4		1.20	GFAF49R19	10	312	130	6.8	1.35	GF49R19	5.1	628	262	8.7		1.00	GFA59R39	4P	6.6	482		201			10	1.30	GFAF59R39	4P	5.9		542	226		9.3	1.15	GFA59R39	6.7	480	200	10	1.30	GFAF59R39	7.8	408	170	10		1.55	GF59R39	8.8	364		152	10		1.70	GFF59R39	9.9	321	134		11	1.95	GFF59R39	2.4	1377	270.68	27	2.10	GFA89	8P	7.6	420	175	5.7	1.00		GFA49R19	4P	2.6	1299	255.37	27		2.30	GFAF89	2.9	1164	228.93	27	2.50	GF89	3.3	1003	197.20	27		2.90	GFF89	3.3	1021	270.68	27			2.80	GFA89	6P	9.0	352	147		6.4		1.20	GFAF49R19	4P	3.5	963	255.37	28		3.00	GFAF89	3.9	863	228.93	28	3.30	GF89							GFF89																																																															
6.2	363	136.16	10	1.60	GFF59		6.7	340	127.27	10	1.75	GFF59			6.7	341	199.70	10	1.65	GFA59	4P		1.1	2808	1171	32	1.60	GFA89R59	4P		7.2	313	183.60	10	1.80	GFAF59			8.5	268	157.09	11	2.10	GF59		9.8	232	136.16	11	2.40	GFF59	10	217	127.27	11	2.60	GFF59		12	188	110.01	11	3.00	GFF59	5.7		400	150.06	5.5	1.00	GFA49	6P	1.6	1942	810	13	0.80	GFA79R39	4P		6.5	347	130.07	6.2	1.15	GFAF49			7.0	324	121.57	6.4	1.20	GF49		8.1	280	105.09	6.8	1.40	GFF49	7.0	325	190.76	6.2	1.15	GFA49		4P	1.9	1702	710	14	0.90		GFA79R39		4P	7.6	299	175.38	6.5	1.25	GFAF49			8.9	256	150.06	6.9	1.45	GF49		10.2	222	130.07	7.2	1.65	GFF49	10.9	207	121.57	7.3	1.80	GFF49		12.7	179	105.09	7.4	2.10	GFF49	14.9		152	89.29	7.6	2.40	GFF49	10	219	128.51	3.5	0.85	GFA39	4P	3.2	990	413	18	1.60	GFA69R39	4P		11	201	117.88	3.8	0.90	GFAF39			13	171	100.36	4.3	1.10	GF39		15	148	86.53	4.6	1.25	GFF39	16	138	80.65	4.7	1.35	GFF39		19	120	70.50	4.8	1.55	GFF39			20	113	66.09	4.9	1.65	GFF39	23		99	58.32	4.9	1.85	GFF39	24	93		54.54	5.0	2.00	GFF39	26	88	51.70		5.0	2.10	GFF39	28		80	47.02	5.1	2.30	GFF39		30	75	43.95	5.1	2.50		GFF39	35	65	38.31	5.1	2.80	GFF39	37	61	35.91	5.1	3.00	GFF39	42	54	31.69	5.2	3.40	GFF39	0.37kW							3.5	921	384	9.4	0.95	GFA69R39	4P	0.20	16084	6708	81	0.80	GFA129R79		4P	3.9	810	338	10	1.05			GFA69R39	4P	0.22	14192	5919		84		0.85	GFAF129R79	0.26	12341		5147	86	1.00	GF129R79		0.29	10857	4528	86	1.15	GFF129R79	0.34		9404	3922	86	1.35	GFF129R79	0.39		8272		3450	86	1.55	GFF129R79		0.44	7260	3028	86	1.70	GFF129R79	5.2	616	257	11	1.40	GFA59R39	4P	4.4	731	305	11	1.15	GFA69R39		4P	5.8	554	231	12		1.55		GFA59R39	6.6	482	201		10	1.30	GFAF59R39	7.3	434	181	10	1.45	GF59R39	7.6	420	175		5.7	1.00	GFA49R19	4P	5.2	611	255		8.9	1.00		GFA59R39	4P	9.0	352	147		6.4	1.20		GFAF49R19	10	312	130		6.8	1.35	GF49R19	5.1	628	262	8.7	1.00	GFA59R39	4P	6.6	482		201	10		1.30	GFAF59R39	4P	5.9			542	226	9.3		1.15	GFA59R39	6.7	480		200	10	1.30	GFAF59R39	7.8	408	170	10	1.55	GF59R39	8.8	364	152		10	1.70	GFF59R39	9.9	321	134	11		1.95	GFF59R39	2.4	1377	270.68	27	2.10	GFA89	8P	7.6	420	175	5.7	1.00	GFA49R19		4P	2.6	1299	255.37	27		2.30		GFAF89	2.9	1164	228.93		27	2.50	GF89	3.3	1003	197.20	27	2.90	GFF89	3.3	1021	270.68		27	2.80	GFA89	6P	9.0	352	147		6.4	1.20		GFAF49R19	4P	3.5	963	255.37		28	3.00		GFAF89	3.9	863	228.93		28	3.30	GF89						GFF89																																																																					
6.7	340	127.27	10	1.75	GFF59		6.7	341	199.70	10	1.65	GFA59		4P	1.1	2808	1171	32	1.60	GFA89R59		4P	7.2	313	183.60	10	1.80	GFAF59			8.5	268	157.09	11	2.10	GF59			9.8	232	136.16	11	2.40	GFF59		10	217	127.27	11	2.60	GFF59	12	188	110.01	11	3.00	GFF59	5.7	400	150.06	5.5	1.00	GFA49	6P	1.6	1942	810	13	0.80	GFA79R39	4P		6.5	347	130.07	6.2	1.15	GFAF49			7.0	324	121.57	6.4	1.20	GF49			8.1	280	105.09	6.8	1.40	GFF49		7.0	325	190.76	6.2	1.15	GFA49	4P	1.9	1702	710	14	0.90	GFA79R39		4P	7.6	299	175.38	6.5	1.25	GFAF49			8.9	256	150.06	6.9	1.45	GF49			10.2	222	130.07	7.2	1.65	GFF49		10.9	207	121.57	7.3	1.80	GFF49	12.7	179	105.09	7.4	2.10	GFF49	14.9	152	89.29	7.6	2.40	GFF49	10	219	128.51	3.5	0.85	GFA39	4P	3.2	990	413	18	1.60	GFA69R39	4P		11	201	117.88	3.8	0.90	GFAF39			13	171	100.36	4.3	1.10	GF39			15	148	86.53	4.6	1.25	GFF39		16	138	80.65	4.7	1.35	GFF39	19	120	70.50	4.8	1.55	GFF39		20	113	66.09	4.9	1.65	GFF39	23		99	58.32	4.9	1.85	GFF39	24	93		54.54	5.0	2.00	GFF39	26	88	51.70		5.0	2.10	GFF39	28	80	47.02	5.1		2.30	GFF39	30	75		43.95	5.1	2.50	GFF39	35		65	38.31	5.1	2.80	GFF39		37	61	35.91	5.1	3.00	GFF39	42	54	31.69	5.2	3.40	GFF39	0.37kW							3.5	921	384	9.4	0.95	GFA69R39	4P	0.20	16084	6708	81	0.80	GFA129R79		4P	3.9	810	338	10	1.05			GFA69R39	4P	0.22	14192	5919			84		0.85	GFAF129R79	0.26		12341		5147	86	1.00	GF129R79		0.29	10857	4528	86	1.15	GFF129R79	0.34	9404	3922	86	1.35	GFF129R79		0.39	8272	3450	86	1.55	GFF129R79		0.44	7260	3028	86	1.70	GFF129R79	5.2	616	257	11	1.40	GFA59R39	4P	4.4	731	305	11	1.15	GFA69R39		4P	5.8	554	231	12	1.55			GFA59R39	6.6	482	201		10		1.30	GFAF59R39	7.3	434		181	10	1.45	GF59R39	7.6	420	175	5.7	1.00	GFA49R19	4P	5.2	611	255	8.9	1.00		GFA59R39	4P	9.0	352	147	6.4		1.20		GFAF49R19	10	312		130	6.8		1.35	GF49R19	5.1	628		262	8.7	1.00	GFA59R39	4P	6.6	482	201	10		1.30	GFAF59R39	4P	5.9	542		226	9.3		1.15	GFA59R39		6.7	480	200		10	1.30	GFAF59R39	7.8		408	170	10	1.55	GF59R39	8.8	364	152	10	1.70	GFF59R39	9.9	321	134	11	1.95	GFF59R39	2.4	1377	270.68	27	2.10	GFA89	8P	7.6	420	175	5.7	1.00	GFA49R19		4P	2.6	1299	255.37	27	2.30			GFAF89	2.9	1164	228.93		27		2.50	GF89	3.3	1003		197.20	27	2.90	GFF89	3.3	1021	270.68	27	2.80	GFA89	6P	9.0	352	147	6.4	1.20		GFAF49R19	4P	3.5	963	255.37	28		3.00		GFAF89	3.9	863		228.93	28		3.30	GF89							GFF89																																																																										
6.7	341	199.70	10	1.65	GFA59	4P	1.1	2808	1171	32	1.60	GFA89R59	4P																																																																																																																																																																																																																																																																																																																																																																																																																																																																																																																																																																																																																			
7.2	313	183.60	10	1.80	GFAF59		8.5	268	157.09	11	2.10	GF59			9.8	232	136.16	11	2.40	GFF59			10	217	127.27	11	2.60	GFF59			12	188	110.01	11	3.00	GFF59		5.7	400	150.06	5.5	1.00	GFA49	6P	1.6	1942	810	13	0.80	GFA79R39	4P	6.5	347	130.07	6.2	1.15	GFAF49	7.0	324	121.57	6.4	1.20	GF49		8.1	280	105.09	6.8	1.40	GFF49			7.0	325	190.76	6.2	1.15	GFA49			4P	1.9	1702	710	14	0.90		GFA79R39	4P	7.6	299	175.38	6.5	1.25	GFAF49	8.9	256	150.06	6.9	1.45	GF49		10.2	222	130.07	7.2	1.65	GFF49			10.9	207	121.57	7.3	1.80	GFF49			12.7	179	105.09	7.4	2.10	GFF49	14.9		152	89.29	7.6	2.40	GFF49	10	219	128.51	3.5	0.85	GFA39	4P	3.2	990	413	18	1.60	GFA69R39	4P	11	201	117.88	3.8	0.90	GFAF39	13	171	100.36	4.3	1.10	GF39		15	148	86.53	4.6	1.25	GFF39			16	138	80.65	4.7	1.35	GFF39			19	120	70.50	4.8	1.55	GFF39			20	113	66.09	4.9	1.65	GFF39	23	99	58.32	4.9	1.85	GFF39	24	93	54.54	5.0	2.00	GFF39	26		88	51.70	5.0	2.10	GFF39	28	80		47.02	5.1	2.30	GFF39	30	75	43.95		5.1	2.50	GFF39	35	65	38.31	5.1		2.80	GFF39	37	61	35.91	5.1	3.00	GFF39	42	54	31.69	5.2		3.40	GFF39	0.37kW							3.5	921		384	9.4	0.95	GFA69R39	4P	0.20	16084	6708	81	0.80	GFA129R79	4P	3.9	810	338	10	1.05	GFA69R39	4P	0.22	14192	5919	84	0.85	GFAF129R79		0.26	12341	5147	86	1.00	GF129R79			0.29	10857	4528	86	1.15			GFF129R79		0.34	9404	3922	86		1.35		GFF129R79	0.39	8272		3450		86	1.55	GFF129R79	0.44	7260	3028	86	1.70	GFF129R79	5.2	616	257	11	1.40	GFA59R39	4P	4.4	731	305	11	1.15	GFA69R39	4P	5.8	554	231	12	1.55	GFA59R39	6.6	482	201	10	1.30	GFAF59R39	7.3	434		181	10	1.45	GF59R39	7.6	420			175	5.7	1.00	GFA49R19	4P			5.2	611	255	8.9	1.00	GFA59R39		4P	9.0	352	147	6.4	1.20	GFAF49R19	10	312	130	6.8	1.35	GF49R19	5.1	628		262	8.7	1.00	GFA59R39	4P		6.6		482	201	10	1.30		GFAF59R39		4P	5.9	542	226	9.3	1.15		GFA59R39	6.7	480	200	10	1.30	GFAF59R39	7.8	408		170	10	1.55	GF59R39		8.8	364		152	10		1.70	GFF59R39		9.9	321	134	11	1.95	GFF59R39		2.4	1377	270.68	27	2.10	GFA89	8P	7.6	420	175	5.7	1.00	GFA49R19	4P	2.6	1299	255.37	27	2.30	GFAF89	2.9	1164	228.93	27	2.50	GF89	3.3	1003		197.20	27	2.90	GFF89	3.3	1021			270.68	27	2.80	GFA89	6P			9.0	352	147	6.4	1.20	GFAF49R19		4P	3.5	963	255.37	28	3.00	GFAF89	3.9	863	228.93	28	3.30	GF89							GFF89																																																																																																					
8.5	268	157.09	11	2.10	GF59		9.8	232	136.16	11	2.40	GFF59			10	217	127.27	11	2.60	GFF59			12	188	110.01	11	3.00	GFF59		5.7	400	150.06	5.5	1.00	GFA49	6P	1.6	1942	810	13	0.80	GFA79R39	4P		6.5	347	130.07	6.2	1.15	GFAF49		7.0	324	121.57	6.4	1.20	GF49	8.1	280	105.09	6.8	1.40	GFF49		7.0	325	190.76	6.2	1.15	GFA49			4P	1.9	1702	710	14	0.90		GFA79R39		4P	7.6	299	175.38	6.5	1.25	GFAF49		8.9	256	150.06	6.9	1.45	GF49	10.2	222	130.07	7.2	1.65	GFF49		10.9	207	121.57	7.3	1.80	GFF49			12.7	179	105.09	7.4	2.10	GFF49	14.9		152	89.29	7.6	2.40	GFF49	10	219	128.51	3.5	0.85	GFA39	4P	3.2	990	413	18	1.60	GFA69R39	4P		11	201	117.88	3.8	0.90	GFAF39		13	171	100.36	4.3	1.10	GF39	15	148	86.53	4.6	1.25	GFF39		16	138	80.65	4.7	1.35	GFF39			19	120	70.50	4.8	1.55	GFF39			20	113	66.09	4.9	1.65	GFF39	23		99	58.32	4.9	1.85	GFF39	24	93	54.54	5.0	2.00	GFF39	26	88	51.70	5.0	2.10	GFF39	28	80		47.02	5.1	2.30	GFF39	30	75	43.95		5.1	2.50	GFF39	35	65	38.31	5.1		2.80	GFF39	37	61	35.91	5.1	3.00		GFF39	42	54	31.69	5.2	3.40	GFF39	0.37kW							3.5	921	384	9.4		0.95	GFA69R39	4P	0.20	16084		6708	81	0.80	GFA129R79		4P	3.9	810	338	10	1.05		GFA69R39	4P	0.22	14192	5919	84		0.85	GFAF129R79	0.26	12341	5147	86		1.00	GF129R79	0.29	10857	4528	86			1.15	GFF129R79	0.34	9404	3922	86		1.35		GFF129R79	0.39	8272	3450		86		1.55	GFF129R79	0.44		7260	3028	86	1.70	GFF129R79	5.2	616	257	11	1.40	GFA59R39	4P	4.4	731	305	11	1.15		GFA69R39	4P	5.8	554	231	12		1.55	GFA59R39	6.6	482	201	10	1.30	GFAF59R39	7.3	434	181	10	1.45	GF59R39		7.6	420	175	5.7	1.00	GFA49R19			4P	5.2	611	255		8.9		1.00	GFA59R39	4P	9.0	352	147	6.4		1.20	GFAF49R19	10	312	130	6.8	1.35	GF49R19	5.1	628	262	8.7	1.00	GFA59R39		4P	6.6	482	201			10		1.30	GFAF59R39	4P	5.9	542	226			9.3	1.15	GFA59R39	6.7	480	200	10	1.30	GFAF59R39	7.8	408	170	10	1.55	GF59R39		8.8	364	152	10		1.70	GFF59R39		9.9	321	134	11	1.95		GFF59R39	2.4	1377	270.68	27	2.10	GFA89	8P	7.6	420	175	5.7	1.00		GFA49R19	4P	2.6	1299	255.37	27		2.30	GFAF89	2.9	1164	228.93	27	2.50	GF89	3.3	1003	197.20	27	2.90	GFF89		3.3	1021	270.68	27	2.80	GFA89			6P	9.0	352	147		6.4		1.20	GFAF49R19	4P	3.5	963	255.37	28		3.00	GFAF89	3.9	863	228.93	28	3.30	GF89						GFF89																																																																																																										
9.8	232	136.16	11	2.40	GFF59		10	217	127.27	11	2.60	GFF59			12	188	110.01	11	3.00	GFF59	5.7		400	150.06	5.5	1.00	GFA49	6P	1.6	1942	810	13	0.80	GFA79R39	4P		6.5	347	130.07	6.2	1.15	GFAF49			7.0	324	121.57	6.4	1.20	GF49		8.1	280	105.09	6.8	1.40	GFF49	7.0	325	190.76	6.2	1.15	GFA49		4P	1.9	1702	710	14	0.90		GFA79R39		4P	7.6	299	175.38	6.5	1.25	GFAF49			8.9	256	150.06	6.9	1.45	GF49		10.2	222	130.07	7.2	1.65	GFF49	10.9	207	121.57	7.3	1.80	GFF49		12.7	179	105.09	7.4	2.10	GFF49	14.9		152	89.29	7.6	2.40	GFF49	10	219	128.51	3.5	0.85	GFA39	4P	3.2	990	413	18	1.60	GFA69R39	4P		11	201	117.88	3.8	0.90	GFAF39			13	171	100.36	4.3	1.10	GF39		15	148	86.53	4.6	1.25	GFF39	16	138	80.65	4.7	1.35	GFF39		19	120	70.50	4.8	1.55	GFF39			20	113	66.09	4.9	1.65	GFF39	23		99	58.32	4.9	1.85	GFF39	24	93		54.54	5.0	2.00	GFF39	26	88	51.70	5.0	2.10	GFF39	28	80	47.02	5.1	2.30	GFF39	30	75	43.95		5.1	2.50	GFF39	35	65	38.31	5.1		2.80	GFF39	37	61	35.91	5.1	3.00		GFF39	42	54	31.69	5.2	3.40	GFF39		0.37kW							3.5	921	384	9.4	0.95	GFA69R39	4P	0.20	16084	6708	81	0.80	GFA129R79	4P		3.9	810		338	10	1.05	GFA69R39			4P	0.22	14192	5919	84		0.85		GFAF129R79	0.26	12341	5147		86	1.00	GF129R79	0.29	10857	4528		86	1.15	GFF129R79	0.34	9404	3922	86		1.35	GFF129R79	0.39	8272	3450	86		1.55		GFF129R79	0.44	7260	3028		86	1.70	GFF129R79	5.2	616	257	11	1.40	GFA59R39	4P	4.4	731	305	11	1.15	GFA69R39	4P		5.8	554	231	12	1.55		GFA59R39		6.6	482	201	10		1.30	GFAF59R39	7.3	434	181	10	1.45	GF59R39	7.6	420	175	5.7	1.00	GFA49R19		4P	5.2	611	255	8.9	1.00	GFA59R39			4P	9.0	352		147	6.4	1.20	GFAF49R19		10	312	130	6.8		1.35	GF49R19	5.1	628	262	8.7	1.00	GFA59R39	4P	6.6	482	201	10	1.30			GFAF59R39	4P	5.9		542	226		9.3	1.15		GFA59R39	6.7	480	200		10	1.30	GFAF59R39	7.8	408	170	10	1.55	GF59R39	8.8	364	152	10	1.70	GFF59R39		9.9	321	134	11	1.95	GFF59R39	2.4		1377	270.68	27	2.10	GFA89	8P	7.6	420	175	5.7	1.00	GFA49R19	4P		2.6	1299	255.37	27	2.30		GFAF89		2.9	1164	228.93	27		2.50	GF89	3.3	1003	197.20	27	2.90	GFF89	3.3	1021	270.68	27	2.80	GFA89		6P	9.0	352	147	6.4	1.20	GFAF49R19			4P	3.5	963		255.37	28	3.00	GFAF89		3.9	863	228.93	28		3.30	GF89						GFF89																																																																																																																
10	217	127.27	11	2.60	GFF59		12	188	110.01	11	3.00	GFF59		5.7	400	150.06	5.5	1.00	GFA49	6P	1.6	1942	810	13	0.80	GFA79R39	4P		6.5	347	130.07	6.2	1.15	GFAF49			7.0	324	121.57	6.4	1.20	GF49			8.1	280	105.09	6.8	1.40	GFF49		7.0	325	190.76	6.2	1.15	GFA49	4P	1.9	1702	710	14	0.90	GFA79R39		4P	7.6	299	175.38	6.5	1.25	GFAF49			8.9	256	150.06	6.9	1.45	GF49			10.2	222	130.07	7.2	1.65	GFF49		10.9	207	121.57	7.3	1.80	GFF49	12.7	179	105.09	7.4	2.10	GFF49	14.9	152	89.29	7.6	2.40	GFF49	10	219	128.51	3.5	0.85	GFA39	4P	3.2	990	413	18	1.60	GFA69R39	4P		11	201	117.88	3.8	0.90	GFAF39			13	171	100.36	4.3	1.10	GF39			15	148	86.53	4.6	1.25	GFF39		16	138	80.65	4.7	1.35	GFF39	19	120	70.50	4.8	1.55	GFF39		20	113	66.09	4.9	1.65	GFF39	23		99	58.32	4.9	1.85	GFF39	24	93		54.54	5.0	2.00	GFF39	26	88	51.70		5.0	2.10	GFF39	28	80	47.02	5.1	2.30	GFF39	30	75	43.95	5.1	2.50	GFF39	35	65	38.31	5.1		2.80	GFF39	37	61	35.91	5.1	3.00		GFF39	42	54	31.69	5.2	3.40	GFF39		0.37kW								3.5	921	384	9.4	0.95	GFA69R39	4P	0.20	16084	6708	81	0.80	GFA129R79		4P	3.9	810	338	10	1.05			GFA69R39	4P	0.22	14192	5919	84	0.85				GFAF129R79	0.26	12341	5147		86		1.00	GF129R79	0.29	10857		4528	86	1.15	GFF129R79	0.34	9404	3922	86	1.35	GFF129R79	0.39	8272	3450	86		1.55	GFF129R79	0.44	7260	3028	86		1.70	GFF129R79	5.2	616	257	11	1.40	GFA59R39	4P	4.4	731	305	11	1.15	GFA69R39	4P		5.8	554	231	12	1.55	GFA59R39			6.6	482	201	10	1.30		GFAF59R39		7.3	434	181	10		1.45	GF59R39	7.6	420	175	5.7	1.00	GFA49R19	4P	5.2	611	255	8.9	1.00	GFA59R39		4P	9.0	352	147	6.4	1.20	GFAF49R19			10	312		130	6.8	1.35	GF49R19		5.1	628	262	8.7		1.00	GFA59R39	4P	6.6	482	201	10	1.30		GFAF59R39	4P	5.9	542	226	9.3		1.15		GFA59R39		6.7	480	200	10	1.30		GFAF59R39	7.8	408	170		10	1.55	GF59R39	8.8	364	152	10	1.70	GFF59R39	9.9	321	134	11	1.95	GFF59R39	2.4	1377	270.68	27	2.10	GFA89	8P	7.6	420	175	5.7	1.00	GFA49R19	4P		2.6	1299	255.37	27	2.30	GFAF89			2.9	1164	228.93	27	2.50		GF89		3.3	1003	197.20	27		2.90	GFF89	3.3	1021	270.68	27	2.80	GFA89	6P	9.0	352	147	6.4	1.20	GFAF49R19		4P	3.5	963	255.37	28	3.00	GFAF89			3.9	863		228.93	28	3.30	GF89								GFF89																																																																																																																						
12	188	110.01	11	3.00	GFF59	5.7	400	150.06	5.5	1.00	GFA49	6P	1.6	1942	810	13	0.80	GFA79R39	4P		6.5	347	130.07	6.2	1.15	GFAF49			7.0	324	121.57	6.4	1.20	GF49			8.1	280	105.09	6.8	1.40	GFF49			7.0	325	190.76	6.2	1.15	GFA49		4P	1.9	1702	710	14	0.90		GFA79R39	4P	7.6	299	175.38	6.5			1.25	GFAF49	8.9	256	150.06	6.9			1.45	GF49	10.2	222	130.07	7.2			1.65	GFF49	10.9	207	121.57	7.3		1.80	GFF49	12.7	179	105.09	7.4	2.10	GFF49	14.9	152	89.29	7.6	2.40	GFF49	10	219	128.51	3.5	0.85	GFA39	4P	3.2	990	413		18	1.60	GFA69R39	4P	11	201			117.88	3.8	0.90	GFAF39	13	171			100.36	4.3	1.10	GF39	15	148			86.53	4.6	1.25	GFF39	16	138		80.65	4.7	1.35	GFF39	19	120	70.50	4.8	1.55	GFF39	20	113		66.09	4.9	1.65	GFF39	23	99	58.32		4.9	1.85	GFF39	24	93	54.54	5.0		2.00	GFF39	26	88	51.70	5.0	2.10		GFF39	28	80	47.02	5.1	2.30	GFF39	30	75	43.95	5.1	2.50	GFF39	35	65	38.31	5.1	2.80	GFF39		37	61	35.91	5.1	3.00	GFF39	42		54	31.69	5.2	3.40	GFF39	0.37kW							3.5	921	384		9.4	0.95	GFA69R39	4P	0.20	16084		6708	81	0.80	GFA129R79	4P	3.9			810	338	10	1.05	GFA69R39			4P		0.22	14192	5919	84	0.85				GFAF129R79	0.26	12341	5147		86		1.00	GF129R79	0.29	10857		4528	86	1.15	GFF129R79	0.34	9404	3922	86	1.35	GFF129R79	0.39	8272	3450	86		1.55	GFF129R79	0.44	7260	3028	86	1.70	GFF129R79	5.2	616	257	11	1.40	GFA59R39	4P		4.4	731	305	11	1.15	GFA69R39			4P	5.8	554	231	12	1.55			GFA59R39	6.6	482	201	10		1.30		GFAF59R39	7.3	434	181		10	1.45	GF59R39	7.6	420	175	5.7	1.00		GFA49R19	4P	5.2	611	255	8.9			1.00	GFA59R39	4P	9.0	352	147			6.4	1.20		GFAF49R19	10	312	130		6.8	1.35	GF49R19	5.1		628	262		8.7	1.00	GFA59R39	4P	6.6		482		201	10	1.30	GFAF59R39		4P		5.9		542	226	9.3	1.15	GFA59R39		6.7	480	200	10		1.30	GFAF59R39	7.8	408	170	10	1.55	GF59R39	8.8	364	152	10	1.70	GFF59R39	9.9	321	134	11	1.95	GFF59R39	2.4		1377	270.68	27	2.10	GFA89	8P			7.6	420	175	5.7	1.00	GFA49R19			4P	2.6	1299	255.37	27		2.30		GFAF89	2.9	1164	228.93		27	2.50	GF89	3.3	1003	197.20	27	2.90		GFF89	3.3	1021	270.68	27	2.80			GFA89	6P	9.0	352	147	6.4			1.20	GFAF49R19	4P	3.5	963	255.37	28		3.00	GFAF89	3.9	863	228.93	28	3.30	GF89						GFF89																																																																																																															
5.7	400	150.06	5.5	1.00	GFA49	6P	1.6	1942	810	13	0.80		GFA79R39	4P																																																																																																																																																																																																																																																																																																																																																																																																																																																																																																																																																																																																																		
6.5	347	130.07	6.2	1.15	GFAF49		7.0	324	121.57	6.4	1.20		GF49		8.1	280	105.09	6.8			1.40	GFF49	7.0	325	190.76	6.2			1.15	GFA49	4P	1.9	1702	710		14	0.90	GFA79R39	4P	7.6	299	175.38	6.5	1.25	GFAF49	8.9	256	150.06	6.9	1.45	GF49		10.2	222	130.07	7.2	1.65		GFF49		10.9	207	121.57	7.3			1.80	GFF49	12.7	179	105.09	7.4	2.10		GFF49	14.9	152	89.29	7.6	2.40	GFF49	10	219	128.51	3.5	0.85	GFA39	4P	3.2	990	413	18	1.60	GFA69R39	4P	11	201	117.88	3.8	0.90	GFAF39	13	171	100.36	4.3	1.10	GF39	15	148		86.53	4.6	1.25		GFF39	16	138		80.65	4.7			1.35	GFF39	19	120	70.50	4.8			1.55	GFF39	20	113	66.09	4.9	1.65		GFF39	23	99	58.32	4.9	1.85	GFF39	24	93	54.54	5.0	2.00	GFF39	26	88	51.70	5.0	2.10	GFF39		28	80	47.02	5.1	2.30	GFF39	30		75	43.95	5.1	2.50	GFF39	35	65		38.31	5.1	2.80	GFF39	37	61	35.91		5.1	3.00	GFF39	42	54	31.69	5.2	3.40	GFF39	0.37kW							3.5	921	384		9.4	0.95	GFA69R39	4P	0.20	16084	6708		81	0.80	GFA129R79	4P	3.9	810	338	10	1.05	GFA69R39	4P	0.22	14192	5919	84	0.85	GFAF129R79	0.26	12341		5147	86		1.00	GF129R79	0.29	10857		4528			86	1.15	GFF129R79	0.34	9404		3922			86	1.35	GFF129R79	0.39	8272	3450			86	1.55	GFF129R79	0.44		7260	3028	86	1.70	GFF129R79	5.2	616	257	11	1.40	GFA59R39	4P	4.4	731	305	11	1.15	GFA69R39	4P	5.8	554	231	12	1.55	GFA59R39	6.6	482	201	10	1.30	GFAF59R39	7.3	434	181	10	1.45			GF59R39	7.6	420	175	5.7	1.00				GFA49R19	4P	5.2	611	255		8.9	1.00	GFA59R39	4P	9.0	352	147	6.4	1.20	GFAF49R19	10	312	130	6.8	1.35	GF49R19	5.1	628	262	8.7	1.00	GFA59R39		4P		6.6	482	201	10			1.30	GFAF59R39		4P	5.9	542	226		9.3	1.15	GFA59R39	6.7	480	200	10	1.30	GFAF59R39	7.8	408	170	10	1.55	GF59R39		8.8	364	152		10		1.70		GFF59R39	9.9	321	134	11			1.95	GFF59R39	2.4	1377	270.68	27	2.10	GFA89	8P	7.6	420	175	5.7	1.00	GFA49R19	4P	2.6	1299	255.37	27	2.30	GFAF89	2.9	1164	228.93	27	2.50	GF89	3.3	1003	197.20	27	2.90	GFF89		3.3	1021	270.68	27	2.80				GFA89	6P	9.0	352	147	6.4		1.20		GFAF49R19	4P	3.5	963	255.37	28	3.00	GFAF89	3.9	863	228.93	28	3.30	GF89						GFF89																																																																																																																																																						
7.0	324	121.57	6.4	1.20	GF49		8.1	280	105.09	6.8	1.40		GFF49		7.0	325	190.76	6.2			1.15	GFA49	4P	1.9	1702	710		14	0.90	GFA79R39		4P	7.6	299	175.38	6.5	1.25	GFAF49		8.9	256	150.06	6.9	1.45	GF49	10.2	222	130.07	7.2	1.65	GFF49		10.9	207	121.57	7.3	1.80		GFF49		12.7	179	105.09	7.4	2.10		GFF49	14.9	152	89.29	7.6	2.40	GFF49	10	219	128.51	3.5	0.85	GFA39	4P	3.2	990	413	18	1.60	GFA69R39	4P		11	201	117.88	3.8	0.90	GFAF39		13	171	100.36	4.3	1.10	GF39	15	148	86.53	4.6	1.25	GFF39	16	138		80.65	4.7	1.35		GFF39	19	120		70.50	4.8			1.55	GFF39	20	113	66.09	4.9	1.65		GFF39	23	99	58.32	4.9	1.85	GFF39		24	93	54.54	5.0	2.00	GFF39	26	88	51.70	5.0	2.10	GFF39	28	80	47.02	5.1	2.30	GFF39	30		75	43.95	5.1	2.50	GFF39	35	65		38.31	5.1	2.80	GFF39	37	61	35.91		5.1	3.00	GFF39	42	54	31.69	5.2		3.40	GFF39	0.37kW							3.5	921	384	9.4	0.95	GFA69R39	4P	0.20	16084	6708		81	0.80	GFA129R79		4P	3.9	810	338	10	1.05	GFA69R39		4P	0.22	14192	5919	84	0.85		GFAF129R79	0.26	12341	5147	86	1.00	GF129R79	0.29		10857	4528		86	1.15	GFF129R79	0.34		9404	3922		86	1.35	GFF129R79	0.39	8272		3450			86	1.55	GFF129R79	0.44	7260	3028		86	1.70	GFF129R79	5.2	616	257	11	1.40	GFA59R39	4P	4.4	731	305	11	1.15	GFA69R39	4P		5.8	554	231	12	1.55	GFA59R39		6.6	482	201	10	1.30	GFAF59R39	7.3	434	181	10	1.45	GF59R39	7.6	420	175	5.7	1.00			GFA49R19	4P	5.2	611	255	8.9		1.00		GFA59R39		4P	9.0	352	147	6.4	1.20	GFAF49R19		10	312	130	6.8	1.35	GF49R19	5.1	628	262	8.7	1.00	GFA59R39	4P	6.6	482	201	10	1.30				GFAF59R39	4P	5.9	542	226		9.3	1.15			GFA59R39	6.7	480	200	10	1.30	GFAF59R39	7.8	408	170	10	1.55	GF59R39	8.8	364	152	10	1.70	GFF59R39		9.9	321	134		11	1.95	GFF59R39		2.4	1377	270.68	27	2.10		GFA89	8P	7.6	420	175	5.7	1.00	GFA49R19	4P		2.6	1299	255.37	27	2.30	GFAF89		2.9	1164	228.93	27	2.50	GF89	3.3	1003	197.20	27	2.90	GFF89	3.3	1021	270.68	27	2.80	GFA89		6P	9.0	352	147	6.4			1.20	GFAF49R19		4P	3.5	963	255.37	28	3.00		GFAF89		3.9	863	228.93	28	3.30	GF89						GFF89																																																																																																																																																												
8.1	280	105.09	6.8	1.40	GFF49		7.0	325	190.76	6.2	1.15		GFA49		4P	1.9	1702	710		14	0.90	GFA79R39		4P	7.6	299	175.38	6.5	1.25	GFAF49			8.9	256	150.06	6.9	1.45	GF49		10.2	222	130.07	7.2	1.65	GFF49	10.9	207	121.57	7.3	1.80	GFF49		12.7	179	105.09	7.4	2.10	GFF49	14.9		152	89.29	7.6	2.40	GFF49	10	219	128.51	3.5	0.85	GFA39	4P	3.2	990	413	18	1.60	GFA69R39	4P		11	201	117.88	3.8	0.90	GFAF39			13	171	100.36	4.3	1.10	GF39		15	148	86.53	4.6	1.25	GFF39	16	138	80.65	4.7	1.35	GFF39	19	120		70.50	4.8	1.55		GFF39	20	113		66.09	4.9	1.65		GFF39	23	99	58.32	4.9	1.85	GFF39		24	93	54.54	5.0	2.00	GFF39	26		88	51.70	5.0	2.10	GFF39	28	80	47.02	5.1	2.30	GFF39	30	75	43.95	5.1	2.50	GFF39	35	65		38.31	5.1	2.80	GFF39	37	61	35.91		5.1	3.00	GFF39	42	54	31.69	5.2		3.40	GFF39	0.37kW							3.5	921	384	9.4	0.95	GFA69R39	4P	0.20	16084	6708	81	0.80	GFA129R79	4P		3.9	810	338	10	1.05	GFA69R39	4P			0.22	14192	5919	84	0.85	GFAF129R79			0.26	12341	5147	86	1.00		GF129R79	0.29	10857	4528	86	1.15	GFF129R79	0.34		9404	3922	86	1.35	GFF129R79	0.39	8272		3450	86		1.55	GFF129R79	0.44	7260	3028		86		1.70	GFF129R79	5.2	616	257	11	1.40	GFA59R39	4P	4.4	731	305	11	1.15	GFA69R39	4P	5.8		554	231	12	1.55	GFA59R39	6.6			482	201	10	1.30	GFAF59R39	7.3		434	181	10	1.45	GF59R39	7.6	420	175	5.7	1.00	GFA49R19	4P	5.2	611	255	8.9	1.00		GFA59R39	4P		9.0	352	147	6.4	1.20	GFAF49R19		10			312	130	6.8	1.35	GF49R19	5.1		628	262	8.7	1.00	GFA59R39	4P	6.6	482	201	10	1.30	GFAF59R39		4P	5.9	542	226	9.3	1.15			GFA59R39		6.7	480	200	10	1.30	GFAF59R39			7.8	408	170	10	1.55	GF59R39	8.8	364	152	10	1.70	GFF59R39	9.9	321	134	11	1.95	GFF59R39	2.4	1377	270.68	27	2.10		GFA89	8P	7.6	420	175	5.7	1.00	GFA49R19	4P		2.6		1299	255.37	27	2.30	GFAF89	2.9			1164	228.93	27	2.50	GF89	3.3		1003	197.20	27	2.90	GFF89	3.3	1021	270.68	27	2.80	GFA89	6P	9.0	352	147	6.4	1.20	GFAF49R19	4P		3.5	963	255.37	28		3.00	GFAF89	3.9			863	228.93	28	3.30	GF89								GFF89																																																																																																																																																																			
7.0	325	190.76	6.2	1.15	GFA49		4P	1.9	1702	710	14	0.90	GFA79R39			4P																																																																																																																																																																																																																																																																																																																																																																																																																																																																																																																																																																																																																
7.6	299	175.38	6.5	1.25	GFAF49	8.9		256	150.06	6.9	1.45	GF49	10.2	222			130.07	7.2	1.65	GFF49	10.9	207			121.57	7.3	1.80	GFF49	12.7	179			105.09	7.4	2.10	GFF49	14.9	152		89.29	7.6	2.40	GFF49	10	219	128.51	3.5	0.85	GFA39	4P	3.2	990	413	18	1.60	GFA69R39	4P	11	201	117.88	3.8	0.90	GFAF39	13	171	100.36	4.3	1.10	GF39	15	148		86.53	4.6	1.25	GFF39	16	138			80.65	4.7	1.35	GFF39	19	120			70.50	4.8	1.55	GFF39	20	113		66.09	4.9	1.65	GFF39	23	99	58.32	4.9	1.85	GFF39	24	93	54.54	5.0		2.00	GFF39	26		88	51.70	5.0	2.10	GFF39	28	80		47.02	5.1	2.30	GFF39	30	75	43.95		5.1	2.50	GFF39	35	65	38.31	5.1		2.80	GFF39	37	61	35.91	5.1	3.00	GFF39	42	54	31.69	5.2	3.40	GFF39	0.37kW							3.5	921	384	9.4	0.95	GFA69R39		4P	0.20	16084	6708	81	0.80	GFA129R79		4P	3.9	810	338	10	1.05	GFA69R39	4P	0.22	14192	5919	84	0.85	GFAF129R79	0.26		12341	5147	86	1.00	GF129R79	0.29			10857	4528	86	1.15	GFF129R79	0.34				9404	3922	86	1.35	GFF129R79	0.39			8272	3450	86	1.55	GFF129R79		0.44	7260	3028	86	1.70	GFF129R79	5.2	616	257	11	1.40	GFA59R39	4P	4.4	731	305		11	1.15	GFA69R39	4P	5.8	554	231	12	1.55	GFA59R39	6.6	482	201	10	1.30	GFAF59R39	7.3	434	181		10	1.45	GF59R39	7.6	420	175		5.7		1.00	GFA49R19	4P	5.2	611	255			8.9	1.00	GFA59R39	4P	9.0	352		147	6.4	1.20	GFAF49R19	10	312	130	6.8	1.35	GF49R19	5.1		628	262	8.7	1.00	GFA59R39	4P	6.6			482	201	10	1.30	GFAF59R39	4P	5.9	542			226	9.3	1.15	GFA59R39	6.7	480		200	10	1.30	GFAF59R39	7.8		408	170	10	1.55	GF59R39	8.8			364	152	10	1.70	GFF59R39		9.9	321		134	11	1.95	GFF59R39	2.4	1377	270.68		27	2.10	GFA89	8P	7.6	420	175	5.7	1.00	GFA49R19	4P	2.6	1299	255.37	27	2.30	GFAF89	2.9	1164	228.93	27	2.50	GF89	3.3	1003		197.20	27	2.90	GFF89	3.3	1021		270.68	27		2.80	GFA89	6P	9.0	352	147			6.4	1.20	GFAF49R19	4P	3.5	963		255.37	28	3.00	GFAF89	3.9	863	228.93	28	3.30	GF89							GFF89																																																																																																																																																																																													
8.9	256	150.06	6.9	1.45	GF49	10.2		222	130.07	7.2	1.65	GFF49	10.9	207			121.57	7.3	1.80	GFF49	12.7	179			105.09	7.4	2.10	GFF49	14.9	152	89.29		7.6	2.40	GFF49	10	219	128.51	3.5	0.85	GFA39	4P	3.2	990	413	18	1.60	GFA69R39	4P		11	201	117.88	3.8	0.90	GFAF39		13	171	100.36	4.3	1.10	GF39	15	148	86.53	4.6	1.25	GFF39	16	138		80.65	4.7	1.35	GFF39	19	120			70.50	4.8	1.55	GFF39	20	113			66.09	4.9	1.65	GFF39	23	99	58.32	4.9	1.85	GFF39	24	93	54.54	5.0	2.00	GFF39	26	88	51.70	5.0	2.10		GFF39	28	80		47.02	5.1	2.30	GFF39	30	75	43.95		5.1	2.50	GFF39	35	65	38.31	5.1		2.80	GFF39	37	61	35.91	5.1	3.00		GFF39	42	54	31.69	5.2	3.40	GFF39	0.37kW							3.5	921	384	9.4	0.95		GFA69R39	4P	0.20	16084	6708	81	0.80			GFA129R79	4P	3.9	810	338	10	1.05		GFA69R39	4P	0.22	14192	5919	84		0.85	GFAF129R79	0.26	12341	5147	86	1.00		GF129R79	0.29	10857	4528	86	1.15			GFF129R79	0.34	9404	3922	86	1.35		GFF129R79		0.39	8272	3450	86	1.55	GFF129R79			0.44	7260	3028	86	1.70	GFF129R79	5.2	616	257	11	1.40	GFA59R39	4P	4.4	731	305	11	1.15		GFA69R39	4P	5.8	554	231	12	1.55		GFA59R39	6.6	482	201	10	1.30	GFAF59R39	7.3	434	181	10	1.45	GF59R39	7.6	420		175	5.7	1.00	GFA49R19	4P	5.2		611		255	8.9		1.00	GFA59R39	4P		9.0	352	147	6.4		1.20	GFAF49R19	10	312	130	6.8	1.35	GF49R19	5.1	628	262	8.7	1.00	GFA59R39		4P	6.6	482	201	10		1.30			GFAF59R39	4P	5.9	542	226		9.3	1.15	GFA59R39		6.7	480	200	10	1.30	GFAF59R39	7.8	408	170	10	1.55	GF59R39		8.8	364	152	10	1.70	GFF59R39			9.9	321	134	11	1.95	GFF59R39	2.4	1377		270.68	27	2.10	GFA89	8P	7.6	420	175	5.7	1.00	GFA49R19		4P	2.6	1299	255.37	27	2.30		GFAF89	2.9	1164	228.93	27	2.50	GF89	3.3	1003	197.20	27	2.90	GFF89	3.3		1021	270.68	27	2.80	GFA89	6P		9.0	352		147	6.4		1.20	GFAF49R19	4P		3.5	963	255.37	28		3.00	GFAF89	3.9	863	228.93	28	3.30	GF89						GFF89																																																																																																																																																																																																			
10.2	222	130.07	7.2	1.65	GFF49	10.9		207	121.57	7.3	1.80	GFF49	12.7	179			105.09	7.4	2.10	GFF49	14.9	152	89.29		7.6	2.40	GFF49	10	219	128.51	3.5	0.85	GFA39	4P	3.2	990	413	18	1.60	GFA69R39	4P		11	201	117.88	3.8	0.90	GFAF39			13	171	100.36	4.3	1.10	GF39		15	148	86.53	4.6	1.25	GFF39	16	138	80.65	4.7	1.35	GFF39	19	120		70.50	4.8	1.55	GFF39	20	113			66.09	4.9	1.65	GFF39	23	99	58.32		4.9	1.85	GFF39	24	93	54.54	5.0	2.00	GFF39	26	88	51.70	5.0	2.10	GFF39	28	80	47.02	5.1	2.30	GFF39		30	75	43.95		5.1	2.50	GFF39	35	65	38.31	5.1		2.80	GFF39	37	61	35.91	5.1	3.00		GFF39	42	54	31.69	5.2	3.40	GFF39		0.37kW							3.5	921	384	9.4	0.95	GFA69R39	4P	0.20	16084	6708	81	0.80		GFA129R79		4P	3.9	810	338	10	1.05		GFA69R39		4P	0.22	14192	5919	84		0.85		GFAF129R79	0.26	12341	5147		86	1.00	GF129R79	0.29	10857	4528	86		1.15	GFF129R79	0.34	9404	3922	86		1.35	GFF129R79	0.39	8272	3450	86	1.55		GFF129R79		0.44	7260	3028	86	1.70	GFF129R79		5.2	616	257	11	1.40	GFA59R39	4P	4.4	731	305	11	1.15	GFA69R39		4P	5.8	554	231	12		1.55		GFA59R39	6.6	482	201	10		1.30	GFAF59R39	7.3	434	181	10	1.45	GF59R39	7.6	420	175	5.7	1.00	GFA49R19	4P		5.2	611	255	8.9		1.00		GFA59R39	4P	9.0	352		147	6.4		1.20	GFAF49R19	10	312	130		6.8	1.35	GF49R19	5.1	628	262	8.7	1.00	GFA59R39	4P	6.6	482	201	10			1.30	GFAF59R39	4P	5.9		542		226	9.3		1.15	GFA59R39	6.7		480	200	10	1.30	GFAF59R39	7.8	408	170	10	1.55	GF59R39	8.8	364	152	10	1.70		GFF59R39	9.9	321	134	11	1.95	GFF59R39		2.4	1377	270.68	27	2.10	GFA89	8P	7.6	420	175	5.7	1.00	GFA49R19		4P	2.6	1299	255.37	27	2.30			GFAF89	2.9	1164	228.93	27		2.50	GF89	3.3	1003	197.20	27	2.90	GFF89	3.3	1021	270.68	27	2.80	GFA89		6P	9.0	352	147	6.4			1.20	GFAF49R19	4P	3.5	963		255.37	28		3.00	GFAF89	3.9	863	228.93		28	3.30	GF89						GFF89																																																																																																																																																																																																								
10.9	207	121.57	7.3	1.80	GFF49	12.7		179	105.09	7.4	2.10	GFF49	14.9	152	89.29		7.6	2.40	GFF49	10	219	128.51	3.5	0.85	GFA39	4P	3.2	990	413	18	1.60	GFA69R39	4P		11	201	117.88	3.8	0.90	GFAF39			13	171	100.36	4.3	1.10	GF39			15	148	86.53	4.6	1.25	GFF39		16	138	80.65	4.7	1.35	GFF39	19	120	70.50	4.8	1.55	GFF39	20	113		66.09	4.9	1.65	GFF39	23	99	58.32		4.9	1.85	GFF39	24	93	54.54	5.0		2.00	GFF39	26	88	51.70	5.0	2.10	GFF39	28	80	47.02	5.1	2.30	GFF39	30	75	43.95	5.1	2.50	GFF39	35		65	38.31	5.1		2.80	GFF39	37	61	35.91	5.1	3.00		GFF39	42	54	31.69	5.2	3.40	GFF39		0.37kW								3.5	921	384	9.4	0.95	GFA69R39	4P	0.20	16084	6708	81	0.80	GFA129R79		4P	3.9	810	338	10	1.05	GFA69R39			4P	0.22	14192	5919	84		0.85			GFAF129R79	0.26	12341	5147		86		1.00	GF129R79	0.29	10857		4528	86	1.15	GFF129R79	0.34	9404	3922	86	1.35	GFF129R79	0.39	8272	3450	86		1.55	GFF129R79	0.44	7260	3028	86	1.70	GFF129R79	5.2		616	257	11	1.40	GFA59R39	4P	4.4	731	305	11	1.15	GFA69R39	4P		5.8	554	231	12	1.55	GFA59R39			6.6	482	201	10		1.30		GFAF59R39	7.3	434	181	10		1.45	GF59R39	7.6	420	175	5.7	1.00	GFA49R19	4P	5.2	611	255	8.9	1.00		GFA59R39	4P	9.0	352	147		6.4	1.20	GFAF49R19		10	312		130	6.8		1.35	GF49R19	5.1	628	262		8.7	1.00	GFA59R39	4P	6.6	482	201	10	1.30		GFAF59R39	4P	5.9	542	226		9.3	1.15		GFA59R39		6.7	480	200	10		1.30	GFAF59R39	7.8		408	170	10	1.55	GF59R39	8.8	364	152	10	1.70	GFF59R39	9.9	321	134	11	1.95	GFF59R39	2.4	1377	270.68	27	2.10	GFA89	8P	7.6	420	175	5.7	1.00	GFA49R19	4P		2.6	1299	255.37	27	2.30	GFAF89			2.9	1164	228.93	27	2.50			GF89	3.3	1003	197.20	27		2.90	GFF89	3.3	1021	270.68	27	2.80	GFA89	6P	9.0	352	147	6.4	1.20	GFAF49R19		4P	3.5	963	255.37		28	3.00	GFAF89		3.9	863		228.93	28		3.30	GF89							GFF89																																																																																																																																																																																																														
12.7	179	105.09	7.4	2.10	GFF49	14.9	152	89.29	7.6	2.40	GFF49	10	219	128.51	3.5	0.85	GFA39	4P	3.2	990	413	18	1.60	GFA69R39	4P		11	201	117.88	3.8	0.90	GFAF39			13	171	100.36	4.3	1.10	GF39			15	148	86.53	4.6	1.25	GFF39			16	138	80.65	4.7	1.35	GFF39		19	120	70.50	4.8	1.55	GFF39	20	113	66.09	4.9	1.65	GFF39	23	99		58.32	4.9	1.85	GFF39	24	93	54.54		5.0	2.00	GFF39	26	88	51.70	5.0		2.10	GFF39	28	80	47.02	5.1	2.30	GFF39	30	75	43.95	5.1	2.50	GFF39	35	65	38.31	5.1	2.80	GFF39	37		61	35.91	5.1		3.00	GFF39	42	54	31.69	5.2	3.40		GFF39	0.37kW							3.5	921	384	9.4	0.95	GFA69R39	4P		0.20	16084	6708	81	0.80	GFA129R79		4P	3.9	810	338	10	1.05			GFA69R39	4P	0.22	14192	5919	84				0.85	GFAF129R79	0.26	12341		5147			86	1.00	GF129R79	0.29		10857		4528	86	1.15	GFF129R79		0.34	9404	3922	86	1.35	GFF129R79	0.39	8272	3450	86	1.55	GFF129R79	0.44	7260		3028	86	1.70	GFF129R79	5.2	616	257	11	1.40	GFA59R39	4P	4.4	731	305	11		1.15	GFA69R39	4P	5.8	554	231			12	1.55	GFA59R39	6.6	482	201			10	1.30	GFAF59R39	7.3		434		181	10	1.45	GF59R39	7.6		420	175	5.7	1.00	GFA49R19	4P	5.2	611		255	8.9	1.00	GFA59R39	4P		9.0		352	147	6.4		1.20	GFAF49R19	10		312	130		6.8	1.35		GF49R19	5.1	628	262	8.7		1.00	GFA59R39	4P		6.6	482	201	10	1.30		GFAF59R39		4P	5.9	542		226	9.3		1.15		GFA59R39	6.7	480	200		10	1.30	GFAF59R39		7.8	408	170	10	1.55	GF59R39	8.8	364	152	10	1.70	GFF59R39	9.9	321	134	11	1.95	GFF59R39	2.4	1377	270.68	27	2.10		GFA89	8P	7.6	420	175	5.7			1.00	GFA49R19	4P	2.6	1299	255.37			27	2.30	GFAF89	2.9	1164			228.93	27	2.50	GF89	3.3		1003	197.20	27	2.90	GFF89	3.3	1021	270.68		27	2.80	GFA89	6P	9.0	352			147	6.4	1.20		GFAF49R19	4P	3.5		963	255.37	28	3.00	GFAF89		3.9	863	228.93	28	3.30	GF89						GFF89																																																																																																																																																																																																											
14.9	152	89.29	7.6	2.40	GFF49	10	219	128.51	3.5	0.85	GFA39	4P	3.2	990	413	18	1.60		GFA69R39	4P	11	201	117.88	3.8			0.90	GFAF39	13	171	100.36	4.3			1.10	GF39	15	148	86.53	4.6			1.25	GFF39	16	138	80.65	4.7			1.35	GFF39	19	120	70.50	4.8	1.55	GFF39	20	113	66.09	4.9	1.65	GFF39	23	99	58.32	4.9	1.85	GFF39	24		93	54.54	5.0	2.00	GFF39	26	88		51.70	5.0	2.10	GFF39	28	80	47.02		5.1	2.30	GFF39	30	75	43.95	5.1	2.50	GFF39	35	65	38.31	5.1	2.80	GFF39	37	61	35.91	5.1	3.00	GFF39		42	54	31.69		5.2	3.40	GFF39	0.37kW							3.5	921	384	9.4	0.95		GFA69R39	4P	0.20	16084	6708	81		0.80	GFA129R79	4P	3.9	810	338	10			1.05	GFA69R39	4P	0.22	14192			5919		84	0.85	GFAF129R79	0.26				12341	5147	86	1.00	GF129R79	0.29			10857	4528	86	1.15		GFF129R79		0.34	9404	3922	86	1.35	GFF129R79	0.39	8272	3450	86	1.55	GFF129R79	0.44	7260	3028	86	1.70	GFF129R79	5.2	616	257	11	1.40	GFA59R39	4P	4.4	731	305	11	1.15		GFA69R39	4P	5.8	554		231	12		1.55	GFA59R39	6.6			482	201	10	1.30	GFAF59R39	7.3			434	181	10	1.45	GF59R39	7.6		420	175	5.7	1.00	GFA49R19	4P	5.2	611	255	8.9	1.00		GFA59R39	4P		9.0	352	147	6.4			1.20		GFAF49R19	10	312		130	6.8	1.35		GF49R19	5.1	628	262	8.7		1.00	GFA59R39	4P	6.6	482	201	10	1.30			GFAF59R39	4P	5.9	542	226		9.3			1.15	GFA59R39		6.7	480		200	10	1.30	GFAF59R39	7.8	408		170	10	1.55	GF59R39	8.8	364	152	10	1.70	GFF59R39	9.9	321	134	11	1.95	GFF59R39	2.4	1377	270.68	27	2.10	GFA89	8P	7.6	420	175	5.7		1.00		GFA49R19	4P	2.6	1299			255.37	27		2.30	GFAF89	2.9			1164	228.93	27	2.50	GF89	3.3		1003	197.20	27	2.90	GFF89	3.3	1021	270.68	27	2.80	GFA89	6P	9.0	352		147	6.4	1.20		GFAF49R19	4P			3.5	963	255.37	28	3.00		GFAF89		3.9	863	228.93	28	3.30	GF89						GFF89																																																																																																																																																																																																																	
10	219	128.51	3.5	0.85	GFA39	4P	3.2	990	413	18	1.60		GFA69R39	4P																																																																																																																																																																																																																																																																																																																																																																																																																																																																																																																																																																																																																		
11	201	117.88	3.8	0.90	GFAF39		13	171	100.36	4.3	1.10		GF39		15	148	86.53		4.6		1.25	GFF39	16	138			80.65	4.7	1.35	GFF39	19	120			70.50	4.8	1.55	GFF39	20	113	66.09		4.9	1.65	GFF39	23	99	58.32	4.9		1.85	GFF39	24	93	54.54	5.0	2.00	GFF39	26	88	51.70	5.0	2.10	GFF39	28	80	47.02	5.1	2.30	GFF39	30		75	43.95	5.1	2.50	GFF39	35	65		38.31	5.1	2.80	GFF39	37	61	35.91		5.1	3.00	GFF39	42	54	31.69	5.2	3.40	GFF39	0.37kW							3.5	921	384	9.4	0.95		GFA69R39	4P	0.20		16084	6708	81	0.80	GFA129R79	4P	3.9	810	338	10	1.05	GFA69R39	4P	0.22	14192	5919	84		0.85	GFAF129R79	0.26	12341		5147	86		1.00	GF129R79	0.29	10857			4528	86		1.15	GFF129R79	0.34		9404		3922	86	1.35	GFF129R79	0.39			8272	3450	86	1.55	GFF129R79	0.44		7260	3028	86	1.70	GFF129R79	5.2	616	257	11	1.40	GFA59R39	4P	4.4	731	305	11	1.15	GFA69R39	4P	5.8	554	231	12	1.55	GFA59R39	6.6	482	201	10	1.30	GFAF59R39	7.3		434	181	10	1.45	GF59R39		7.6		420	175		5.7	1.00		GFA49R19	4P	5.2		611	255	8.9	1.00	GFA59R39	4P	9.0	352	147	6.4	1.20	GFAF49R19	10	312	130	6.8	1.35	GF49R19	5.1	628	262		8.7	1.00	GFA59R39	4P	6.6		482			201	10	1.30	GFAF59R39		4P	5.9		542	226	9.3	1.15	GFA59R39	6.7	480	200	10	1.30	GFAF59R39	7.8	408	170	10	1.55		GF59R39	8.8	364	152	10			1.70		GFF59R39	9.9	321	134	11			1.95	GFF59R39	2.4	1377	270.68	27	2.10	GFA89	8P	7.6	420	175	5.7	1.00	GFA49R19	4P	2.6	1299	255.37	27	2.30	GFAF89	2.9	1164	228.93	27	2.50	GF89	3.3	1003	197.20	27	2.90	GFF89	3.3		1021	270.68	27	2.80		GFA89		6P		9.0	352		147	6.4	1.20		GFAF49R19	4P	3.5	963	255.37	28	3.00	GFAF89	3.9	863	228.93	28	3.30	GF89						GFF89																																																																																																																																																																																																																																																				
13	171	100.36	4.3	1.10	GF39		15	148	86.53	4.6	1.25		GFF39		16	138	80.65		4.7		1.35	GFF39	19	120			70.50	4.8	1.55	GFF39	20	113	66.09		4.9	1.65	GFF39	23	99	58.32	4.9		1.85	GFF39	24	93	54.54	5.0	2.00		GFF39	26	88	51.70	5.0	2.10	GFF39	28	80	47.02	5.1	2.30	GFF39	30	75	43.95	5.1	2.50	GFF39	35	65		38.31	5.1	2.80	GFF39	37	61	35.91		5.1	3.00	GFF39	42	54	31.69	5.2		3.40	GFF39	0.37kW							3.5	921	384	9.4	0.95	GFA69R39	4P	0.20	16084	6708	81	0.80		GFA129R79		4P	3.9	810	338	10	1.05	GFA69R39		4P	0.22	14192	5919	84	0.85		GFAF129R79	0.26	12341	5147		86	1.00	GF129R79	0.29		10857	4528		86	1.15	GFF129R79	0.34	9404		3922	86		1.35	GFF129R79	0.39		8272		3450	86	1.55	GFF129R79	0.44		7260	3028	86	1.70	GFF129R79	5.2	616	257	11	1.40	GFA59R39	4P	4.4	731	305	11	1.15	GFA69R39	4P		5.8	554	231	12	1.55	GFA59R39		6.6	482	201	10	1.30	GFAF59R39	7.3	434	181	10	1.45	GF59R39	7.6		420	175	5.7	1.00	GFA49R19		4P		5.2	611	255	8.9	1.00		GFA59R39		4P	9.0	352	147	6.4	1.20	GFAF49R19		10	312	130	6.8	1.35	GF49R19	5.1	628	262	8.7	1.00	GFA59R39	4P	6.6	482		201	10	1.30		GFAF59R39		4P		5.9	542	226	9.3	1.15			GFA59R39	6.7	480	200	10	1.30	GFAF59R39	7.8	408	170	10	1.55	GF59R39	8.8	364	152	10	1.70		GFF59R39	9.9	321	134	11		1.95	GFF59R39		2.4	1377	270.68	27	2.10	GFA89		8P	7.6	420	175	5.7	1.00	GFA49R19	4P		2.6	1299	255.37	27	2.30	GFAF89		2.9	1164	228.93	27	2.50	GF89	3.3	1003	197.20	27	2.90	GFF89	3.3	1021	270.68	27	2.80	GFA89	6P		9.0	352	147	6.4	1.20	GFAF49R19				4P	3.5	963	255.37	28	3.00		GFAF89		3.9	863	228.93	28	3.30	GF89						GFF89																																																																																																																																																																																																																																																										
15	148	86.53	4.6	1.25	GFF39		16	138	80.65	4.7	1.35		GFF39		19	120	70.50		4.8		1.55	GFF39	20	113	66.09		4.9	1.65	GFF39	23	99	58.32	4.9		1.85	GFF39	24	93	54.54	5.0	2.00		GFF39	26	88	51.70	5.0	2.10	GFF39		28	80	47.02	5.1	2.30	GFF39	30	75	43.95	5.1	2.50	GFF39	35	65	38.31	5.1	2.80	GFF39	37	61	35.91		5.1	3.00	GFF39	42	54	31.69	5.2		3.40	GFF39	0.37kW							3.5	921	384	9.4	0.95	GFA69R39	4P	0.20	16084	6708	81	0.80	GFA129R79	4P		3.9	810	338	10	1.05	GFA69R39	4P			0.22	14192	5919	84	0.85	GFAF129R79			0.26	12341	5147	86	1.00		GF129R79	0.29	10857	4528		86	1.15	GFF129R79	0.34	9404	3922	86		1.35	GFF129R79	0.39	8272	3450		86	1.55		GFF129R79	0.44	7260		3028	86	1.70	GFF129R79	5.2	616	257	11	1.40	GFA59R39	4P	4.4	731	305	11	1.15	GFA69R39	4P	5.8		554	231	12	1.55	GFA59R39	6.6			482	201	10	1.30	GFAF59R39	7.3		434	181	10	1.45	GF59R39	7.6	420	175	5.7	1.00	GFA49R19	4P	5.2		611	255	8.9	1.00	GFA59R39	4P			9.0	352	147	6.4	1.20	GFAF49R19	10			312	130	6.8	1.35	GF49R19	5.1		628	262	8.7	1.00	GFA59R39	4P	6.6	482	201	10	1.30	GFAF59R39		4P	5.9		542	226	9.3		1.15	GFA59R39			6.7	480	200	10	1.30	GFAF59R39		7.8	408	170	10	1.55	GF59R39	8.8	364	152	10	1.70	GFF59R39	9.9	321	134	11	1.95	GFF59R39		2.4	1377	270.68	27	2.10	GFA89	8P	7.6		420	175	5.7	1.00	GFA49R19	4P	2.6		1299	255.37	27	2.30	GFAF89	2.9			1164	228.93	27	2.50	GF89	3.3		1003	197.20	27	2.90	GFF89	3.3	1021	270.68	27	2.80	GFA89	6P	9.0	352	147	6.4	1.20	GFAF49R19			4P	3.5	963	255.37	28	3.00	GFAF89				3.9	863	228.93	28	3.30	GF89							GFF89																																																																																																																																																																																																																																																																	
16	138	80.65	4.7	1.35	GFF39		19	120	70.50	4.8	1.55		GFF39		20	113	66.09		4.9	1.65	GFF39	23	99	58.32	4.9		1.85	GFF39	24	93	54.54	5.0	2.00		GFF39	26	88	51.70	5.0	2.10	GFF39		28	80	47.02	5.1	2.30	GFF39	30		75	43.95	5.1	2.50	GFF39	35	65	38.31	5.1	2.80	GFF39	37	61	35.91	5.1	3.00	GFF39	42	54	31.69	5.2		3.40	GFF39	0.37kW							3.5	921	384	9.4	0.95	GFA69R39		4P	0.20	16084	6708	81	0.80	GFA129R79		4P	3.9	810	338	10	1.05			GFA69R39	4P	0.22	14192	5919	84				0.85	GFAF129R79	0.26	12341	5147	86			1.00	GF129R79	0.29	10857	4528		86	1.15	GFF129R79	0.34	9404	3922	86	1.35	GFF129R79	0.39	8272	3450		86	1.55	GFF129R79	0.44	7260		3028	86	1.70	GFF129R79	5.2	616	257	11	1.40	GFA59R39	4P	4.4	731	305	11	1.15	GFA69R39		4P	5.8	554	231	12	1.55		GFA59R39		6.6	482	201	10	1.30	GFAF59R39			7.3	434	181	10	1.45	GF59R39		7.6	420	175	5.7	1.00	GFA49R19	4P	5.2	611	255	8.9		1.00	GFA59R39	4P	9.0	352	147	6.4			1.20	GFAF49R19	10	312	130	6.8	1.35	GF49R19			5.1	628	262	8.7	1.00	GFA59R39		4P	6.6	482	201	10		1.30	GFAF59R39	4P	5.9	542	226			9.3	1.15	GFA59R39	6.7	480		200	10		1.30	GFAF59R39	7.8	408	170	10	1.55		GF59R39	8.8	364	152	10	1.70	GFF59R39	9.9	321	134	11	1.95	GFF59R39	2.4	1377	270.68	27	2.10	GFA89	8P	7.6	420	175	5.7	1.00		GFA49R19	4P	2.6	1299	255.37	27	2.30		GFAF89		2.9	1164	228.93	27	2.50	GF89			3.3	1003	197.20	27	2.90	GFF89		3.3	1021	270.68	27	2.80	GFA89	6P	9.0	352	147	6.4		1.20	GFAF49R19	4P	3.5	963	255.37		28		3.00	GFAF89	3.9	863	228.93	28		3.30		GF89						GFF89																																																																																																																																																																																																																																																																							
19	120	70.50	4.8	1.55	GFF39		20	113	66.09	4.9	1.65		GFF39	23	99	58.32	4.9		1.85	GFF39	24	93	54.54	5.0	2.00		GFF39	26	88	51.70	5.0	2.10	GFF39		28	80	47.02	5.1	2.30	GFF39	30		75	43.95	5.1	2.50	GFF39	35	65		38.31	5.1	2.80	GFF39	37	61	35.91	5.1	3.00	GFF39	42	54	31.69	5.2	3.40	GFF39	0.37kW							3.5	921	384	9.4	0.95	GFA69R39		4P	0.20	16084	6708	81	0.80	GFA129R79	4P		3.9	810	338	10	1.05	GFA69R39			4P	0.22	14192	5919	84			0.85		GFAF129R79	0.26	12341	5147				86	1.00	GF129R79	0.29	10857	4528			86	1.15	GFF129R79	0.34	9404		3922	86	1.35	GFF129R79	0.39	8272	3450	86	1.55	GFF129R79	0.44	7260		3028	86	1.70	GFF129R79	5.2	616	257	11	1.40	GFA59R39	4P	4.4	731	305	11	1.15		GFA69R39	4P	5.8	554	231	12			1.55	GFA59R39	6.6	482	201		10		1.30	GFAF59R39	7.3	434	181	10			1.45	GF59R39	7.6	420	175	5.7		1.00	GFA49R19	4P	5.2	611	255		8.9	1.00	GFA59R39	4P		9.0	352		147	6.4	1.20	GFAF49R19			10	312	130	6.8	1.35	GF49R19	5.1	628			262	8.7	1.00	GFA59R39	4P	6.6			482	201	10	1.30		GFAF59R39	4P		5.9	542	226			9.3	1.15	GFA59R39	6.7	480		200	10		1.30	GFAF59R39	7.8	408	170	10	1.55		GF59R39	8.8	364	152	10	1.70	GFF59R39	9.9	321	134	11	1.95	GFF59R39	2.4	1377	270.68	27	2.10	GFA89		8P	7.6	420	175	5.7		1.00		GFA49R19	4P	2.6	1299	255.37		27		2.30	GFAF89	2.9	1164	228.93	27			2.50	GF89	3.3	1003	197.20	27		2.90	GFF89	3.3	1021	270.68	27		2.80	GFA89	6P	9.0		352	147		6.4	1.20	GFAF49R19		4P		3.5	963	255.37	28	3.00	GFAF89	3.9	863		228.93	28	3.30	GF89						GFF89																																																																																																																																																																																																																																																																				
20	113	66.09	4.9	1.65	GFF39		23	99	58.32	4.9	1.85		GFF39	24	93	54.54	5.0		2.00	GFF39	26	88	51.70	5.0	2.10		GFF39	28	80	47.02	5.1	2.30	GFF39		30	75	43.95	5.1	2.50	GFF39	35		65	38.31	5.1	2.80	GFF39	37	61		35.91	5.1	3.00	GFF39	42	54	31.69	5.2	3.40	GFF39	0.37kW							3.5	921	384	9.4		0.95	GFA69R39	4P	0.20	16084	6708	81	0.80		GFA129R79	4P	3.9	810	338	10			1.05	GFA69R39	4P	0.22	14192	5919				84	0.85	GFAF129R79	0.26			12341		5147	86	1.00	GF129R79		0.29		10857	4528	86	1.15	GFF129R79	0.34			9404	3922	86	1.35	GFF129R79	0.39	8272	3450	86	1.55	GFF129R79	0.44	7260	3028	86	1.70	GFF129R79	5.2	616	257	11	1.40	GFA59R39	4P	4.4	731	305	11	1.15		GFA69R39	4P	5.8	554	231		12		1.55	GFA59R39	6.6	482			201	10	1.30	GFAF59R39	7.3		434		181	10	1.45	GF59R39	7.6	420		175	5.7	1.00	GFA49R19	4P	5.2	611	255	8.9	1.00		GFA59R39	4P	9.0		352	147	6.4			1.20	GFAF49R19		10	312	130	6.8			1.35	GF49R19	5.1	628	262	8.7	1.00	GFA59R39	4P		6.6	482	201	10		1.30	GFAF59R39		4P	5.9	542	226		9.3			1.15	GFA59R39	6.7			480	200	10	1.30	GFAF59R39	7.8	408	170		10	1.55	GF59R39	8.8	364	152	10	1.70	GFF59R39	9.9	321	134	11	1.95	GFF59R39	2.4	1377	270.68	27	2.10	GFA89	8P	7.6	420	175	5.7	1.00			GFA49R19	4P	2.6	1299		255.37		27		2.30	GFAF89	2.9		1164		228.93	27	2.50	GF89	3.3	1003		197.20	27	2.90	GFF89	3.3	1021	270.68	27	2.80	GFA89	6P	9.0	352	147		6.4	1.20		GFAF49R19		4P	3.5		963	255.37	28	3.00			GFAF89	3.9	863	228.93	28	3.30	GF89						GFF89																																																																																																																																																																																																																																																																										
23	99	58.32	4.9	1.85	GFF39		24	93	54.54	5.0	2.00		GFF39	26	88	51.70	5.0		2.10	GFF39	28	80	47.02	5.1	2.30		GFF39	30	75	43.95	5.1	2.50	GFF39		35	65	38.31	5.1	2.80	GFF39	37		61	35.91	5.1	3.00	GFF39	42	54		31.69	5.2	3.40	GFF39	0.37kW							3.5	921	384	9.4	0.95	GFA69R39	4P	0.20	16084	6708	81	0.80	GFA129R79		4P	3.9	810	338	10		1.05		GFA69R39	4P	0.22	14192			5919	84		0.85	GFAF129R79	0.26				12341	5147	86	1.00		GF129R79	0.29		10857	4528	86	1.15		GFF129R79		0.34	9404	3922	86	1.35	GFF129R79		0.39	8272	3450	86	1.55	GFF129R79	0.44	7260	3028	86	1.70	GFF129R79	5.2	616	257	11	1.40	GFA59R39	4P	4.4	731	305	11	1.15		GFA69R39	4P	5.8	554	231		12		1.55	GFA59R39	6.6		482		201	10	1.30	GFAF59R39			7.3	434	181	10	1.45		GF59R39	7.6	420	175	5.7	1.00	GFA49R19	4P	5.2	611	255	8.9	1.00		GFA59R39	4P	9.0	352	147		6.4		1.20		GFAF49R19	10	312			130	6.8		1.35	GF49R19	5.1	628		262	8.7	1.00	GFA59R39	4P	6.6	482	201	10		1.30	GFAF59R39	4P	5.9	542		226	9.3			1.15	GFA59R39	6.7		480			200	10	1.30	GFAF59R39		7.8	408	170	10	1.55	GF59R39	8.8	364	152	10	1.70	GFF59R39	9.9	321	134	11	1.95	GFF59R39	2.4	1377	270.68	27	2.10	GFA89	8P	7.6	420	175	5.7	1.00		GFA49R19	4P	2.6	1299	255.37			27		2.30	GFAF89		2.9		1164		228.93	27	2.50		GF89	3.3	1003	197.20	27	2.90	GFF89	3.3	1021	270.68	27	2.80	GFA89	6P	9.0	352	147	6.4	1.20		GFAF49R19	4P	3.5		963	255.37		28	3.00		GFAF89		3.9	863	228.93	28		3.30	GF89						GFF89																																																																																																																																																																																																																																																																																
24	93	54.54	5.0	2.00	GFF39		26	88	51.70	5.0	2.10		GFF39	28	80	47.02	5.1		2.30	GFF39	30	75	43.95	5.1	2.50		GFF39	35	65	38.31	5.1	2.80	GFF39		37	61	35.91	5.1	3.00	GFF39	42		54	31.69	5.2	3.40	GFF39	0.37kW							3.5	921	384	9.4	0.95	GFA69R39	4P	0.20	16084	6708	81	0.80	GFA129R79		4P	3.9	810	338	10	1.05			GFA69R39	4P	0.22	14192		5919		84		0.85	GFAF129R79			0.26	12341		5147	86	1.00	GF129R79			0.29	10857	4528	86		1.15	GFF129R79		0.34	9404	3922	86	1.35	GFF129R79		0.39	8272	3450	86	1.55	GFF129R79	0.44	7260	3028	86	1.70	GFF129R79	5.2	616	257	11	1.40	GFA59R39	4P	4.4	731	305	11	1.15	GFA69R39		4P	5.8	554	231	12		1.55		GFA59R39	6.6	482		201		10	1.30	GFAF59R39		7.3		434	181	10	1.45	GF59R39		7.6	420	175	5.7	1.00	GFA49R19	4P	5.2	611	255	8.9	1.00	GFA59R39		4P	9.0	352	147	6.4		1.20		GFAF49R19	10	312		130		6.8		1.35	GF49R19	5.1		628	262	8.7		1.00	GFA59R39	4P	6.6	482	201	10	1.30	GFAF59R39		4P	5.9	542	226		9.3	1.15		GFA59R39	6.7		480	200			10	1.30	GFAF59R39	7.8	408			170	10	1.55	GF59R39	8.8	364	152	10	1.70	GFF59R39	9.9	321	134	11	1.95	GFF59R39	2.4	1377	270.68	27	2.10	GFA89	8P	7.6	420	175	5.7	1.00	GFA49R19		4P	2.6	1299	255.37	27		2.30		GFAF89	2.9	1164			228.93		27	2.50	GF89	3.3		1003		197.20	27	2.90	GFF89	3.3	1021	270.68	27	2.80	GFA89	6P	9.0	352	147	6.4	1.20	GFAF49R19		4P	3.5	963	255.37	28		3.00		GFAF89	3.9	863	228.93		28	3.30		GF89							GFF89																																																																																																																																																																																																																																																																																							
26	88	51.70	5.0	2.10	GFF39		28	80	47.02	5.1	2.30		GFF39	30	75	43.95	5.1		2.50	GFF39	35	65	38.31	5.1	2.80		GFF39	37	61	35.91	5.1	3.00	GFF39		42	54	31.69	5.2	3.40	GFF39	0.37kW							3.5	921	384	9.4	0.95	GFA69R39	4P	0.20	16084	6708	81	0.80	GFA129R79		4P	3.9	810	338	10	1.05			GFA69R39	4P	0.22	14192	5919			84		0.85	GFAF129R79		0.26		12341		5147	86		1.00	GF129R79	0.29		10857	4528	86	1.15			GFF129R79	0.34	9404	3922		86	1.35	GFF129R79	0.39	8272	3450	86	1.55	GFF129R79	0.44	7260	3028	86	1.70	GFF129R79	5.2	616	257	11	1.40	GFA59R39	4P	4.4	731	305	11	1.15	GFA69R39		4P	5.8	554	231	12	1.55			GFA59R39	6.6	482	201		10		1.30	GFAF59R39	7.3		434		181	10	1.45	GF59R39	7.6		420	175	5.7	1.00	GFA49R19	4P	5.2	611	255	8.9	1.00	GFA59R39		4P	9.0	352	147	6.4	1.20			GFAF49R19	10	312	130		6.8		1.35	GF49R19	5.1		628		262	8.7	1.00	GFA59R39	4P		6.6	482	201	10	1.30	GFAF59R39		4P	5.9	542	226	9.3	1.15			GFA59R39	6.7	480		200	10		1.30	GFAF59R39		7.8	408	170		10	1.55	GF59R39	8.8	364		152	10	1.70	GFF59R39	9.9	321	134	11	1.95	GFF59R39	2.4	1377	270.68	27	2.10	GFA89	8P	7.6	420	175	5.7	1.00	GFA49R19		4P	2.6	1299	255.37	27	2.30			GFAF89	2.9	1164	228.93		27		2.50	GF89	3.3	1003		197.20		27	2.90	GFF89	3.3	1021	270.68		27	2.80	GFA89	6P	9.0	352	147	6.4	1.20	GFAF49R19		4P	3.5	963	255.37	28	3.00			GFAF89	3.9	863	228.93		28		3.30	GF89							GFF89																																																																																																																																																																																																																																																																																														
28	80	47.02	5.1	2.30	GFF39		30	75	43.95	5.1	2.50		GFF39	35	65	38.31	5.1		2.80	GFF39	37	61	35.91	5.1	3.00		GFF39	42	54	31.69	5.2	3.40	GFF39		0.37kW							3.5	921	384	9.4	0.95	GFA69R39	4P	0.20	16084	6708	81	0.80		GFA129R79	4P	3.9	810	338	10			1.05	GFA69R39	4P	0.22	14192			5919		84	0.85	GFAF129R79			0.26		12341	5147	86	1.00		GF129R79		0.29	10857		4528	86	1.15		GFF129R79	0.34	9404	3922		86	1.35	GFF129R79	0.39	8272	3450	86	1.55	GFF129R79	0.44	7260	3028	86	1.70	GFF129R79	5.2	616	257	11	1.40	GFA59R39	4P	4.4	731	305	11	1.15		GFA69R39	4P	5.8	554	231	12			1.55	GFA59R39	6.6	482	201			10	1.30	GFAF59R39	7.3		434		181	10	1.45	GF59R39	7.6		420	175	5.7	1.00	GFA49R19	4P	5.2	611	255	8.9	1.00		GFA59R39	4P	9.0	352	147	6.4			1.20	GFAF49R19	10	312	130			6.8	1.35	GF49R19	5.1		628		262	8.7	1.00	GFA59R39	4P		6.6	482	201	10		1.30	GFAF59R39	4P	5.9	542	226	9.3			1.15	GFA59R39	6.7	480	200			10	1.30	GFAF59R39		7.8	408		170	10	1.55	GF59R39	8.8	364		152	10	1.70	GFF59R39	9.9	321	134	11	1.95	GFF59R39	2.4	1377	270.68	27	2.10	GFA89	8P	7.6	420	175	5.7	1.00		GFA49R19	4P	2.6	1299	255.37	27			2.30	GFAF89	2.9	1164	228.93			27	2.50	GF89	3.3		1003		197.20	27	2.90	GFF89	3.3	1021		270.68	27	2.80	GFA89	6P	9.0	352	147	6.4	1.20		GFAF49R19	4P	3.5	963	255.37	28			3.00	GFAF89	3.9	863	228.93			28	3.30	GF89							GFF89																																																																																																																																																																																																																																																																																																				
30	75	43.95	5.1	2.50	GFF39		35	65	38.31	5.1	2.80		GFF39	37	61	35.91	5.1		3.00	GFF39	42	54	31.69	5.2	3.40		GFF39	0.37kW							3.5	921	384	9.4	0.95	GFA69R39	4P	0.20	16084	6708	81	0.80	GFA129R79		4P	3.9	810	338	10		1.05		GFA69R39	4P	0.22	14192			5919	84		0.85	GFAF129R79			0.26		12341	5147	86	1.00		GF129R79		0.29	10857	4528	86		1.15		GFF129R79	0.34		9404	3922	86	1.35	GFF129R79	0.39	8272	3450	86	1.55	GFF129R79	0.44	7260	3028	86	1.70	GFF129R79	5.2	616	257	11	1.40	GFA59R39	4P	4.4	731	305	11	1.15	GFA69R39		4P	5.8	554	231	12		1.55		GFA59R39	6.6	482	201			10	1.30	GFAF59R39	7.3	434			181	10	1.45	GF59R39	7.6	420		175	5.7	1.00	GFA49R19	4P	5.2	611	255	8.9	1.00	GFA59R39		4P	9.0	352	147	6.4		1.20		GFAF49R19	10	312	130			6.8	1.35	GF49R19	5.1	628			262	8.7	1.00	GFA59R39	4P	6.6		482	201	10	1.30		GFAF59R39	4P	5.9	542	226		9.3	1.15		GFA59R39	6.7	480	200			10	1.30	GFAF59R39	7.8	408			170	10	1.55	GF59R39	8.8	364		152	10	1.70	GFF59R39	9.9	321	134	11	1.95	GFF59R39	2.4	1377	270.68	27	2.10	GFA89	8P	7.6	420	175	5.7	1.00	GFA49R19		4P	2.6	1299	255.37	27		2.30		GFAF89	2.9	1164	228.93			27	2.50	GF89	3.3	1003			197.20	27	2.90	GFF89	3.3	1021		270.68	27	2.80	GFA89	6P	9.0	352	147	6.4	1.20	GFAF49R19		4P	3.5	963	255.37	28		3.00		GFAF89	3.9	863	228.93			28	3.30	GF89							GFF89																																																																																																																																																																																																																																																																																																											
35	65	38.31	5.1	2.80	GFF39		37	61	35.91	5.1	3.00		GFF39	42	54	31.69	5.2		3.40	GFF39	0.37kW							3.5	921	384	9.4	0.95	GFA69R39	4P	0.20	16084	6708	81	0.80	GFA129R79		4P	3.9	810	338	10	1.05			GFA69R39	4P	0.22	14192		5919		84		0.85	GFAF129R79			0.26	12341		5147	86	1.00		GF129R79		0.29	10857	4528	86		1.15		GFF129R79	0.34	9404	3922		86	1.35	GFF129R79	0.39	8272	3450	86	1.55	GFF129R79	0.44	7260	3028	86	1.70	GFF129R79	5.2	616	257	11	1.40	GFA59R39	4P	4.4	731	305	11	1.15	GFA69R39		4P	5.8	554	231	12	1.55			GFA59R39	6.6	482	201		10		1.30	GFAF59R39	7.3	434			181	10	1.45	GF59R39	7.6	420		175	5.7	1.00	GFA49R19	4P	5.2	611	255	8.9	1.00	GFA59R39		4P	9.0	352	147	6.4	1.20			GFAF49R19	10	312	130		6.8		1.35	GF49R19	5.1	628			262	8.7	1.00	GFA59R39	4P	6.6		482	201	10	1.30		GFAF59R39	4P	5.9	542	226	9.3		1.15		GFA59R39	6.7	480		200	10		1.30	GFAF59R39	7.8	408			170	10	1.55	GF59R39	8.8	364		152	10	1.70	GFF59R39	9.9	321	134	11	1.95	GFF59R39	2.4	1377	270.68	27	2.10	GFA89	8P	7.6	420	175	5.7	1.00	GFA49R19		4P	2.6	1299	255.37	27	2.30			GFAF89	2.9	1164	228.93		27		2.50	GF89	3.3	1003			197.20	27	2.90	GFF89	3.3	1021		270.68	27	2.80	GFA89	6P	9.0	352	147	6.4	1.20	GFAF49R19		4P	3.5	963	255.37	28	3.00			GFAF89	3.9	863	228.93		28		3.30	GF89							GFF89																																																																																																																																																																																																																																																																																																																		
37	61	35.91	5.1	3.00	GFF39		42	54	31.69	5.2	3.40		GFF39	0.37kW							3.5	921	384	9.4	0.95	GFA69R39	4P	0.20	16084	6708	81	0.80	GFA129R79		4P	3.9	810	338	10	1.05			GFA69R39	4P	0.22	14192	5919			84		0.85	GFAF129R79		0.26		12341		5147	86	1.00		GF129R79	0.29		10857	4528	86		1.15		GFF129R79	0.34	9404	3922		86	1.35	GFF129R79	0.39	8272	3450	86	1.55	GFF129R79	0.44	7260	3028	86	1.70	GFF129R79	5.2	616	257	11	1.40	GFA59R39	4P	4.4	731	305	11	1.15	GFA69R39		4P	5.8	554	231	12	1.55			GFA59R39	6.6	482	201	10			1.30	GFAF59R39	7.3	434		181		10	1.45	GF59R39	7.6	420		175	5.7	1.00	GFA49R19	4P	5.2	611	255	8.9	1.00	GFA59R39		4P	9.0	352	147	6.4	1.20			GFAF49R19	10	312	130	6.8			1.35	GF49R19	5.1	628		262		8.7	1.00	GFA59R39	4P	6.6		482	201	10	1.30		GFAF59R39	4P	5.9	542	226	9.3		1.15		GFA59R39	6.7	480	200		10		1.30	GFAF59R39	7.8		408	170		10	1.55	GF59R39	8.8	364		152	10	1.70	GFF59R39	9.9	321	134	11	1.95	GFF59R39	2.4	1377	270.68	27	2.10	GFA89	8P	7.6	420	175	5.7	1.00	GFA49R19		4P	2.6	1299	255.37	27	2.30			GFAF89	2.9	1164	228.93	27			2.50	GF89	3.3	1003		197.20		27	2.90	GFF89	3.3	1021		270.68	27	2.80	GFA89	6P	9.0	352	147	6.4	1.20	GFAF49R19		4P	3.5	963	255.37	28	3.00			GFAF89	3.9	863	228.93	28			3.30	GF89							GFF89																																																																																																																																																																																																																																																																																																																									
42	54	31.69	5.2	3.40	GFF39		0.37kW							3.5	921	384	9.4	0.95	GFA69R39	4P	0.20	16084	6708	81	0.80	GFA129R79		4P	3.9	810	338	10	1.05			GFA69R39	4P	0.22	14192	5919			84		0.85	GFAF129R79	0.26			12341		5147	86	1.00	GF129R79		0.29		10857	4528	86		1.15	GFF129R79		0.34	9404	3922		86	1.35	GFF129R79	0.39	8272	3450	86	1.55	GFF129R79	0.44	7260	3028	86	1.70	GFF129R79	5.2	616	257	11	1.40	GFA59R39	4P	4.4	731	305	11	1.15	GFA69R39		4P	5.8	554	231	12	1.55			GFA59R39	6.6	482	201	10			1.30	GFAF59R39	7.3	434	181			10	1.45	GF59R39	7.6	420	175		5.7	1.00	GFA49R19	4P	5.2	611	255	8.9	1.00	GFA59R39		4P	9.0	352	147	6.4	1.20			GFAF49R19	10	312	130	6.8			1.35	GF49R19	5.1	628	262			8.7	1.00	GFA59R39	4P	6.6	482		201	10	1.30		GFAF59R39	4P	5.9	542	226	9.3		1.15		GFA59R39	6.7	480	200		10		1.30	GFAF59R39	7.8	408		170		10	1.55	GF59R39	8.8	364	152		10	1.70	GFF59R39	9.9	321	134	11	1.95	GFF59R39	2.4	1377	270.68	27	2.10	GFA89	8P	7.6	420	175	5.7	1.00	GFA49R19		4P	2.6	1299	255.37	27	2.30			GFAF89	2.9	1164	228.93	27			2.50	GF89	3.3	1003	197.20			27	2.90	GFF89	3.3	1021	270.68		27	2.80	GFA89	6P	9.0	352	147	6.4	1.20	GFAF49R19		4P	3.5	963	255.37	28	3.00			GFAF89	3.9	863	228.93	28			3.30	GF89							GFF89																																																																																																																																																																																																																																																																																																																																
0.37kW							3.5	921	384	9.4	0.95	GFA69R39	4P																																																																																																																																																																																																																																																																																																																																																																																																																																																																																																																																																																																																																			
0.20	16084	6708	81	0.80	GFA129R79	4P	3.9	810	338	10	1.05	GFA69R39		4P																																																																																																																																																																																																																																																																																																																																																																																																																																																																																																																																																																																																																		
0.22	14192	5919	84	0.85	GFAF129R79		0.26	12341	5147	86	1.00	GF129R79			0.29	10857	4528	86	1.15		GFF129R79	0.34	9404	3922	86	1.35			GFF129R79	0.39	8272	3450	86	1.55		GFF129R79		0.44	7260	3028	86		1.70		GFF129R79	5.2	616	257		11	1.40	GFA59R39	4P	4.4	731	305	11	1.15	GFA69R39	4P	5.8	554	231	12	1.55	GFA59R39	6.6	482	201	10	1.30	GFAF59R39	7.3	434	181	10	1.45	GF59R39	7.6	420	175	5.7	1.00	GFA49R19	4P	5.2	611	255	8.9	1.00		GFA59R39	4P	9.0	352	147	6.4			1.20	GFAF49R19	10	312	130	6.8		1.35	GF49R19	5.1	628	262	8.7	1.00	GFA59R39	4P	6.6	482	201	10	1.30	GFAF59R39	4P	5.9	542	226	9.3	1.15	GFA59R39	6.7	480		200	10	1.30	GFAF59R39	7.8	408			170	10	1.55	GF59R39	8.8	364		152	10	1.70	GFF59R39	9.9	321	134	11	1.95	GFF59R39	2.4	1377	270.68	27	2.10	GFA89	8P		7.6	420	175	5.7	1.00	GFA49R19		4P		2.6	1299	255.37	27	2.30	GFAF89		2.9	1164	228.93	27	2.50	GF89	3.3	1003	197.20	27	2.90	GFF89	3.3	1021	270.68	27	2.80	GFA89	6P	9.0	352	147	6.4	1.20	GFAF49R19	4P	3.5	963	255.37	28	3.00	GFAF89	3.9	863	228.93	28		3.30	GF89								GFF89																																																																																																																																																																																																																																																																																																																																																																																													
0.26	12341	5147	86	1.00	GF129R79		0.29	10857	4528	86	1.15	GFF129R79			0.34	9404	3922	86	1.35		GFF129R79	0.39	8272	3450	86	1.55	GFF129R79		0.44	7260	3028	86	1.70	GFF129R79		5.2		616	257	11	1.40		GFA59R39	4P	4.4	731	305	11	1.15	GFA69R39	4P	5.8		554	231	12	1.55	GFA59R39	6.6		482	201	10	1.30	GFAF59R39	7.3	434	181	10	1.45	GF59R39	7.6	420	175	5.7	1.00	GFA49R19	4P	5.2	611	255	8.9	1.00	GFA59R39		4P	9.0	352	147	6.4		1.20		GFAF49R19	10	312	130	6.8		1.35	GF49R19	5.1	628	262	8.7	1.00	GFA59R39	4P	6.6	482	201	10	1.30	GFAF59R39		4P	5.9	542	226	9.3	1.15		GFA59R39	6.7	480	200	10	1.30	GFAF59R39	7.8		408	170	10	1.55	GF59R39	8.8	364		152	10	1.70	GFF59R39	9.9	321	134	11	1.95	GFF59R39	2.4	1377	270.68	27	2.10	GFA89	8P	7.6	420	175	5.7	1.00	GFA49R19			4P	2.6	1299	255.37	27	2.30	GFAF89			2.9	1164	228.93	27	2.50	GF89	3.3	1003	197.20	27	2.90	GFF89	3.3	1021	270.68	27	2.80	GFA89	6P	9.0	352	147	6.4	1.20	GFAF49R19		4P	3.5	963	255.37	28	3.00		GFAF89	3.9	863	228.93	28	3.30	GF89							GFF89																																																																																																																																																																																																																																																																																																																																																																																																				
0.29	10857	4528	86	1.15	GFF129R79		0.34	9404	3922	86	1.35	GFF129R79			0.39	8272	3450	86	1.55	GFF129R79	0.44	7260	3028	86	1.70	GFF129R79	5.2		616	257	11	1.40	GFA59R39	4P		4.4	731	305	11	1.15	GFA69R39	4P	5.8		554	231	12	1.55	GFA59R39	6.6		482		201	10	1.30	GFAF59R39	7.3	434		181	10	1.45	GF59R39	7.6	420	175	5.7	1.00	GFA49R19	4P	5.2	611	255	8.9	1.00	GFA59R39		4P	9.0	352	147	6.4	1.20			GFAF49R19	10	312	130	6.8	1.35		GF49R19	5.1	628	262	8.7	1.00	GFA59R39	4P	6.6	482	201	10	1.30	GFAF59R39		4P	5.9	542	226	9.3	1.15			GFA59R39	6.7	480	200	10		1.30	GFAF59R39	7.8	408	170	10	1.55	GF59R39	8.8	364	152	10	1.70	GFF59R39	9.9	321	134	11	1.95	GFF59R39	2.4	1377	270.68	27	2.10	GFA89	8P	7.6	420	175	5.7	1.00	GFA49R19		4P	2.6	1299	255.37	27	2.30		GFAF89		2.9	1164	228.93	27	2.50	GF89		3.3	1003	197.20	27	2.90	GFF89	3.3	1021	270.68	27	2.80	GFA89	6P	9.0	352	147	6.4	1.20	GFAF49R19		4P	3.5	963	255.37	28	3.00			GFAF89	3.9	863	228.93	28		3.30	GF89						GFF89																																																																																																																																																																																																																																																																																																																																																																																																										
0.34	9404	3922	86	1.35	GFF129R79		0.39	8272	3450	86	1.55	GFF129R79	0.44		7260	3028	86	1.70	GFF129R79	5.2	616	257	11	1.40	GFA59R39	4P	4.4		731	305	11	1.15	GFA69R39		4P	5.8	554	231	12	1.55	GFA59R39		6.6		482	201	10	1.30	GFAF59R39	7.3		434		181	10	1.45	GF59R39	7.6	420		175	5.7	1.00	GFA49R19	4P	5.2	611	255	8.9	1.00		GFA59R39	4P	9.0	352	147	6.4			1.20	GFAF49R19	10	312	130			6.8	1.35	GF49R19	5.1	628	262		8.7	1.00	GFA59R39	4P	6.6	482	201		10	1.30	GFAF59R39	4P	5.9	542			226	9.3	1.15	GFA59R39	6.7			480	200	10	1.30	GFAF59R39		7.8	408	170	10	1.55	GF59R39	8.8	364	152	10	1.70	GFF59R39	9.9	321	134	11	1.95	GFF59R39	2.4	1377	270.68	27	2.10	GFA89	8P	7.6		420	175	5.7	1.00	GFA49R19	4P			2.6	1299	255.37	27	2.30		GFAF89		2.9	1164	228.93	27	2.50	GF89		3.3	1003	197.20	27	2.90	GFF89	3.3	1021	270.68	27	2.80	GFA89		6P	9.0	352	147	6.4	1.20			GFAF49R19	4P	3.5	963	255.37			28	3.00	GFAF89	3.9	863		228.93	28	3.30	GF89						GFF89																																																																																																																																																																																																																																																																																																																																																																																																								
0.39	8272	3450	86	1.55	GFF129R79		0.44	7260	3028	86	1.70	GFF129R79	5.2	616	257	11	1.40	GFA59R39	4P	4.4	731	305	11	1.15	GFA69R39		4P	5.8	554	231	12	1.55	GFA59R39			6.6	482	201	10	1.30	GFAF59R39		7.3		434	181	10	1.45	GF59R39	7.6		420		175	5.7	1.00	GFA49R19	4P	5.2		611	255	8.9	1.00		GFA59R39	4P	9.0	352	147		6.4		1.20	GFAF49R19	10	312			130	6.8	1.35	GF49R19	5.1			628	262	8.7	1.00	GFA59R39	4P		6.6	482	201		10	1.30	GFAF59R39		4P	5.9	542		226	9.3			1.15	GFA59R39	6.7	480	200			10	1.30	GFAF59R39	7.8	408		170	10	1.55	GF59R39	8.8	364	152	10	1.70	GFF59R39	9.9	321	134	11	1.95	GFF59R39	2.4	1377	270.68	27	2.10	GFA89	8P	7.6		420		175	5.7	1.00	GFA49R19	4P				2.6	1299	255.37	27	2.30		GFAF89		2.9	1164	228.93	27	2.50	GF89		3.3	1003	197.20	27	2.90	GFF89	3.3	1021	270.68	27	2.80	GFA89			6P	9.0	352	147	6.4			1.20		GFAF49R19	4P	3.5	963		255.37	28	3.00	GFAF89	3.9	863	228.93	28	3.30	GF89						GFF89																																																																																																																																																																																																																																																																																																																																																																																																								
0.44	7260	3028	86	1.70	GFF129R79		5.2	616	257	11	1.40	GFA59R39	4P	4.4	731	305	11	1.15		GFA69R39	4P	5.8	554	231	12			1.55	GFA59R39	6.6	482	201	10			1.30	GFAF59R39	7.3	434	181	10		1.45		GF59R39	7.6	420	175	5.7	1.00		GFA49R19	4P	5.2	611	255	8.9		1.00	GFA59R39	4P	9.0	352	147		6.4		1.20	GFAF49R19	10		312		130	6.8	1.35	GF49R19			5.1	628	262	8.7	1.00	GFA59R39		4P	6.6	482	201	10		1.30	GFAF59R39	4P	5.9		542	226	9.3			1.15	GFA59R39		6.7	480			200	10	1.30	GFAF59R39	7.8	408		170	10	1.55	GF59R39	8.8	364	152	10	1.70	GFF59R39	9.9	321	134	11	1.95	GFF59R39	2.4	1377	270.68	27	2.10	GFA89	8P	7.6	420	175	5.7	1.00		GFA49R19		4P		2.6	1299	255.37	27					2.30	GFAF89	2.9	1164	228.93	27	2.50		GF89	3.3	1003	197.20	27	2.90	GFF89	3.3	1021	270.68	27	2.80	GFA89	6P	9.0	352	147	6.4	1.20				GFAF49R19	4P	3.5	963	255.37		28		3.00		GFAF89	3.9	863	228.93	28	3.30	GF89						GFF89																																																																																																																																																																																																																																																																																																																																																																																																														
5.2	616	257	11	1.40	GFA59R39	4P	4.4	731	305	11	1.15	GFA69R39		4P																																																																																																																																																																																																																																																																																																																																																																																																																																																																																																																																																																																																																		
5.8	554	231	12	1.55	GFA59R39		6.6	482	201	10	1.30	GFAF59R39			7.3	434	181	10		1.45		GF59R39	7.6	420	175			5.7	1.00	GFA49R19	4P	5.2	611	255		8.9	1.00	GFA59R39	4P	9.0	352	147	6.4	1.20	GFAF49R19	10	312	130	6.8	1.35	GF49R19	5.1		628	262	8.7	1.00		GFA59R39	4P		6.6	482	201		10		1.30	GFAF59R39	4P	5.9	542		226	9.3	1.15	GFA59R39	6.7	480	200	10	1.30	GFAF59R39	7.8	408	170		10	1.55	GF59R39	8.8		364	152		10		1.70	GFF59R39	9.9	321		134	11		1.95	GFF59R39	2.4	1377	270.68	27	2.10	GFA89	8P	7.6	420	175	5.7	1.00	GFA49R19	4P	2.6	1299	255.37	27	2.30	GFAF89	2.9	1164	228.93	27	2.50	GF89	3.3	1003	197.20	27	2.90		GFF89	3.3	1021	270.68	27		2.80			GFA89	6P	9.0	352	147			6.4	1.20	GFAF49R19	4P	3.5	963	255.37	28	3.00	GFAF89	3.9	863	228.93	28	3.30	GF89						GFF89																																																																																																																																																																																																																																																																																																																																																																																																																																															
6.6	482	201	10	1.30	GFAF59R39		7.3	434	181	10	1.45	GF59R39			7.6	420	175	5.7		1.00		GFA49R19	4P	5.2	611	255		8.9	1.00	GFA59R39		4P	9.0	352	147	6.4	1.20	GFAF49R19		10	312	130	6.8	1.35	GF49R19	5.1	628	262	8.7	1.00	GFA59R39	4P		6.6	482	201	10		1.30			GFAF59R39	4P	5.9	542	226		9.3	1.15		GFA59R39	6.7	480	200	10	1.30	GFAF59R39	7.8	408	170	10	1.55	GF59R39	8.8	364	152		10	1.70	GFF59R39	9.9		321	134		11	1.95	GFF59R39	2.4	1377	270.68		27	2.10	GFA89	8P	7.6	420	175	5.7	1.00	GFA49R19	4P		2.6	1299	255.37	27	2.30	GFAF89		2.9	1164	228.93	27	2.50	GF89	3.3	1003	197.20	27	2.90	GFF89	3.3	1021	270.68	27	2.80		GFA89	6P	9.0	352	147		6.4	1.20		GFAF49R19		4P	3.5	963		255.37	28	3.00	GFAF89		3.9	863	228.93	28	3.30	GF89						GFF89																																																																																																																																																																																																																																																																																																																																																																																																																																																					
7.3	434	181	10	1.45	GF59R39		7.6	420	175	5.7	1.00	GFA49R19			4P	5.2	611	255	8.9	1.00		GFA59R39		4P	9.0	352	147	6.4	1.20	GFAF49R19			10	312	130	6.8	1.35	GF49R19		5.1	628	262	8.7	1.00	GFA59R39	4P	6.6	482	201	10	1.30			GFAF59R39	4P	5.9	542	226	9.3			1.15		GFA59R39	6.7	480	200	10	1.30		GFAF59R39	7.8	408	170	10	1.55	GF59R39	8.8	364	152	10	1.70	GFF59R39	9.9	321	134		11	1.95	GFF59R39	2.4	1377	270.68	27		2.10	GFA89	8P	7.6	420	175	5.7	1.00	GFA49R19	4P		2.6	1299	255.37	27	2.30	GFAF89			2.9	1164	228.93	27	2.50	GF89		3.3	1003	197.20	27	2.90	GFF89	3.3	1021	270.68	27	2.80	GFA89	6P	9.0	352	147	6.4		1.20		GFAF49R19	4P	3.5	963	255.37	28		3.00			GFAF89	3.9	863	228.93	28	3.30	GF89							GFF89																																																																																																																																																																																																																																																																																																																																																																																																																																																											
7.6	420	175	5.7	1.00	GFA49R19		4P	5.2	611	255	8.9	1.00	GFA59R39			4P																																																																																																																																																																																																																																																																																																																																																																																																																																																																																																																																																																																																																
9.0	352	147	6.4	1.20	GFAF49R19	10		312	130	6.8	1.35	GF49R19	5.1	628			262	8.7	1.00	GFA59R39	4P	6.6			482	201	10	1.30	GFAF59R39	4P			5.9	542	226	9.3	1.15	GFA59R39		6.7	480	200	10	1.30	GFAF59R39		7.8	408	170	10	1.55		GF59R39	8.8		364	152	10	1.70		GFF59R39	9.9		321	134	11	1.95	GFF59R39	2.4		1377	270.68	27	2.10	GFA89	8P	7.6	420	175	5.7	1.00	GFA49R19	4P	2.6	1299	255.37	27	2.30	GFAF89	2.9	1164	228.93	27	2.50	GF89	3.3	1003		197.20	27	2.90	GFF89	3.3	1021			270.68	27	2.80	GFA89	6P	9.0			352	147	6.4	1.20	GFAF49R19	4P		3.5	963	255.37	28	3.00	GFAF89	3.9	863	228.93	28	3.30	GF89							GFF89																																																																																																																																																																																																																																																																																																																																																																																																																																																																																				
10	312	130	6.8	1.35	GF49R19	5.1		628	262	8.7	1.00	GFA59R39	4P	6.6			482	201	10	1.30		GFAF59R39			4P	5.9	542	226	9.3		1.15		GFA59R39	6.7	480	200	10	1.30	GFAF59R39	7.8	408	170	10	1.55	GF59R39		8.8	364	152	10	1.70		GFF59R39	9.9		321	134	11	1.95	GFF59R39	2.4	1377		270.68	27	2.10	GFA89	8P	7.6	420	175	5.7	1.00	GFA49R19	4P		2.6	1299	255.37	27	2.30	GFAF89		2.9	1164	228.93	27	2.50	GF89	3.3	1003	197.20	27	2.90	GFF89	3.3	1021		270.68	27	2.80	GFA89	6P	9.0			352	147	6.4	1.20		GFAF49R19		4P	3.5	963	255.37	28	3.00		GFAF89	3.9	863	228.93	28	3.30	GF89						GFF89																																																																																																																																																																																																																																																																																																																																																																																																																																																																																											
5.1	628	262	8.7	1.00	GFA59R39	4P		6.6	482	201	10	1.30		GFAF59R39			4P																																																																																																																																																																																																																																																																																																																																																																																																																																																																																																																																																																																																															
5.9	542	226	9.3	1.15	GFA59R39			6.7	480	200	10	1.30		GFAF59R39	7.8			408	170	10		1.55	GF59R39	8.8		364	152	10	1.70		GFF59R39	9.9	321	134	11	1.95	GFF59R39	2.4	1377	270.68	27	2.10	GFA89	8P	7.6	420	175	5.7	1.00	GFA49R19	4P	2.6	1299	255.37	27	2.30	GFAF89	2.9	1164	228.93	27	2.50	GF89	3.3	1003	197.20	27		2.90	GFF89	3.3	1021	270.68	27			2.80	GFA89	6P	9.0	352	147		6.4	1.20	GFAF49R19	4P	3.5	963	255.37	28	3.00	GFAF89	3.9	863	228.93	28	3.30	GF89							GFF89																																																																																																																																																																																																																																																																																																																																																																																																																																																																																																																						
6.7	480	200	10	1.30	GFAF59R39		7.8	408	170	10	1.55	GF59R39		8.8	364	152		10	1.70	GFF59R39		9.9	321	134		11	1.95	GFF59R39	2.4		1377	270.68	27	2.10	GFA89	8P	7.6	420	175	5.7	1.00	GFA49R19	4P		2.6	1299	255.37	27	2.30	GFAF89		2.9	1164	228.93	27	2.50	GF89	3.3	1003	197.20	27	2.90	GFF89	3.3	1021	270.68	27		2.80	GFA89	6P	9.0	352	147			6.4	1.20		GFAF49R19	4P	3.5		963	255.37	28		3.00	GFAF89	3.9	863	228.93	28	3.30	GF89						GFF89																																																																																																																																																																																																																																																																																																																																																																																																																																																																																																																											
7.8	408	170	10	1.55	GF59R39		8.8	364	152	10	1.70	GFF59R39		9.9	321	134		11	1.95	GFF59R39	2.4	1377	270.68	27		2.10	GFA89	8P	7.6	420	175	5.7	1.00	GFA49R19	4P		2.6	1299	255.37	27	2.30	GFAF89			2.9	1164	228.93	27	2.50	GF89		3.3	1003	197.20	27	2.90	GFF89	3.3	1021	270.68	27	2.80	GFA89	6P	9.0	352	147		6.4	1.20		GFAF49R19	4P	3.5		963	255.37	28		3.00		GFAF89	3.9	863	228.93	28		3.30	GF89						GFF89																																																																																																																																																																																																																																																																																																																																																																																																																																																																																																																																	
8.8	364	152	10	1.70	GFF59R39		9.9	321	134	11	1.95	GFF59R39	2.4	1377	270.68	27		2.10	GFA89	8P	7.6	420	175	5.7	1.00	GFA49R19	4P		2.6	1299	255.37	27	2.30	GFAF89			2.9	1164	228.93	27	2.50	GF89			3.3	1003	197.20	27	2.90	GFF89		3.3	1021	270.68	27	2.80	GFA89	6P	9.0	352	147	6.4	1.20		GFAF49R19	4P	3.5	963	255.37	28		3.00		GFAF89	3.9	863	228.93	28		3.30		GF89							GFF89																																																																																																																																																																																																																																																																																																																																																																																																																																																																																																																																							
9.9	321	134	11	1.95	GFF59R39	2.4	1377	270.68	27	2.10	GFA89	8P	7.6	420	175	5.7	1.00	GFA49R19	4P		2.6	1299	255.37	27	2.30	GFAF89			2.9	1164	228.93	27	2.50	GF89			3.3	1003	197.20	27	2.90	GFF89			3.3	1021	270.68	27	2.80	GFA89		6P	9.0	352	147	6.4	1.20		GFAF49R19	4P	3.5	963	255.37		28		3.00	GFAF89	3.9	863		228.93		28	3.30	GF89							GFF89																																																																																																																																																																																																																																																																																																																																																																																																																																																																																																																																													
2.4	1377	270.68	27	2.10	GFA89	8P	7.6	420	175	5.7	1.00		GFA49R19	4P																																																																																																																																																																																																																																																																																																																																																																																																																																																																																																																																																																																																																		
2.6	1299	255.37	27	2.30	GFAF89		2.9	1164	228.93	27	2.50		GF89		3.3	1003	197.20	27			2.90	GFF89	3.3	1021	270.68	27			2.80	GFA89	6P	9.0	352	147		6.4	1.20	GFAF49R19	4P	3.5	963	255.37	28	3.00	GFAF89	3.9	863	228.93	28	3.30	GF89								GFF89																																																																																																																																																																																																																																																																																																																																																																																																																																																																																																																																																																					
2.9	1164	228.93	27	2.50	GF89		3.3	1003	197.20	27	2.90		GFF89		3.3	1021	270.68	27			2.80	GFA89	6P	9.0	352	147		6.4	1.20	GFAF49R19		4P	3.5	963	255.37	28	3.00	GFAF89		3.9	863	228.93	28	3.30	GF89						GFF89																																																																																																																																																																																																																																																																																																																																																																																																																																																																																																																																																																													
3.3	1003	197.20	27	2.90	GFF89		3.3	1021	270.68	27	2.80		GFA89		6P	9.0	352	147		6.4	1.20	GFAF49R19		4P	3.5	963	255.37	28	3.00	GFAF89			3.9	863	228.93	28	3.30	GF89							GFF89																																																																																																																																																																																																																																																																																																																																																																																																																																																																																																																																																																																			
3.3	1021	270.68	27	2.80	GFA89		6P	9.0	352	147	6.4	1.20	GFAF49R19			4P																																																																																																																																																																																																																																																																																																																																																																																																																																																																																																																																																																																																																
3.5	963	255.37	28	3.00	GFAF89	3.9		863	228.93	28	3.30	GF89								GFF89																																																																																																																																																																																																																																																																																																																																																																																																																																																																																																																																																																																																												
3.9	863	228.93	28	3.30	GF89							GFF89																																																																																																																																																																																																																																																																																																																																																																																																																																																																																																																																																																																																																				
					GFF89																																																																																																																																																																																																																																																																																																																																																																																																																																																																																																																																																																																																																											

**选型参数表
(恒功率)**
**Selection Table
(Constant Power)**

n_a [r/min]	M_a [N.m]	i	F_{Ra} [kN]	f_B	机型号 Type size	极数 Pole	n_a [r/min]	M_a [N.m]	i	F_{Ra} [kN]	f_B	机型号 Type size	极数 Pole																																																																																																																																																																																																																																																																																																																																																																																																																																																																																																																																																																																																																																														
0.37kW							0.55kW																																																																																																																																																																																																																																																																																																																																																																																																																																																																																																																																																																																																																																																				
3.9	852	225.79	18	1.70	GFA79	6P	0.57	8277	2427	114	2.30	GFA159R99	4P																																																																																																																																																																																																																																																																																																																																																																																																																																																																																																																																																																																																																																														
4.5	748	198.31	18	1.95	GFAF79		4.7	711	188.40	18	2.00	GF79		5.3	628	166.47	18	2.30	GFF79	6.3	537	142.27	19	2.70		4.7	711	281.71	18	2.10	GFA79	4P	0.35	13375	3922	84	0.90	GFA129R79	4P	5.1	664	262.93	18	2.20	GFAF79	5.9	570	225.79	19	2.60	GF79	6.7	501	198.31	19	3.00	GFF79	4.6	737	195.39	10	1.05	GFA69	6P	0.59	8079	2369	46	0.95	GFA109R79 GFAF109R79 GF109R79 GFF109R79	4P	5.2	644	170.85	11	1.20	GFAF69	5.5	612	162.31	11	1.30	GF69	6.3	537	142.40	11	1.45	GFF69	7.4	456	120.79	12	1.75		5.8	578	228.99	11	1.40	GFA69 GFAF69 GF69 GFF69	4P	1.1	4239	1243	55	1.85			6.8	493	195.39	12	1.65		7.8	431	170.85	12	1.85		8.2	410	162.31	12	1.95		9.3	359	142.40	12	2.20		11	305	120.79	12	2.70		5.6	596	157.09	8.6	0.95	GFA59	6P	1.2	4526	1327	28	0.95	GFA99R59 GFAF99R59 GF99R59 GFF99R59	4P	6.5	516	136.16	9.2	1.10	GFAF59	7.0	483	127.27	9.4	1.20	GF59	8.0	417	110.01	10	1.40	GFF59	6.7	504	199.70	9.4	1.15	GFA59 GFAF59 GF59 GFF59	4P	1.4	3994	1171	29	1.05			7.2	463	183.60	10	1.30		8.5	396	157.09	10	1.50		9.8	344	136.16	10	1.70		10	321	127.27	10	1.85		12	278	110.01	11	2.10		14	236	93.47	11	2.50		16	211	83.46	11	2.80		8.9	379	150.06	5.8	1.05	GFA49 GFAF49 GF49 GFF49	4P	1.5	3062	898	32	1.40			10	328	130.07	6.4	1.20		13	265	105.09	7.0	1.50		15	225	89.29	7.2	1.75		17	201	79.72	7.4	1.95		20	172	68.09	7.5	2.30		20	165	65.36	7.5	2.40		15	218	86.53	3.8	0.90	GFA39 GFAF39 GF39 GFF39	4P	1.6	2660	780	23	1.10	GFA89R59 GFAF89R59 GF89R59 GFF89R59	4P	16	204	80.65	4.0	0.95		19	178	70.50	4.3	1.10		20	167	66.09	4.4	1.20		23	147	58.32	4.6	1.35		24	138	54.54	4.7	1.45		26	130	51.70	4.8	1.50		28	119	47.02	4.9	1.65		30	111	43.95	4.9	1.80		35	97	38.31	5.0	2.00		37	91	35.91	5.0	2.20		42	80	31.69	5.0	2.50		47	71	28.10	4.9	2.80		56	60	23.88	4.7	3.30		0.55kW							1.7	2844	834	58	2.75			0.22	21468	6295	87	0.90	GFA159R99	4P	2.2	2183	640	59	3.55			0.26	18430	5404	97	1.05	GFAF159R99	0.50	9481	2780	113	2.00	GF159R99 GFF159R99	1.6	3025	887	17	1.00	GFA79R39 GFAF79R39 GF79R39 GFF79R39	4P	1.8	2660	780	23	1.10			1.8	2660	780	23	1.10		2.1	2299	674	24	1.30		2.3	2077	609	25	1.45		2.7	1756	515	26	1.70		3.1	1541	452	26	1.95		4.0	1177	345	27	2.55		2.9	1637	480	14	0.90	GFA69R39	4P	2.9	1637	480	14	0.90			3.4	1408	413	15	1.05	GFAF69R39	3.8	1252	367	16	1.20	GF69R39	4.3	1102	323	17	1.35	GFF69R39	5.4	876	257	9.2	0.90	GFA99	8P	5.4	876	257	9.2	0.90			6.0	788	231	10	1.05	GFAF99	6.8	699	205	11	1.15	GF99	7.9	597	175	11	1.35	GFF99	2.4	2046	270.68	25	1.45	GFA89	8P	2.4	2092	276.77	33	2.00			2.6	1931	255.37	25	1.50	GFAF89	2.9	1731	228.93	26	1.70	GF89	3.3	1491	197.20	26	1.95	GFF89	3.3	1518	270.68	26	1.90	GFA89	6P	2.6	1916	253.41	34	2.20			3.5	1432	255.37	26	2.00	GFAF89	3.9	1284	228.93	27	2.20	GF89	4.5	1106	197.20	27	2.60	GFF89	4.9	1009	179.97	27	2.90																																											
4.7	711	188.40	18	2.00	GF79		5.3	628	166.47	18	2.30	GFF79		6.3	537	142.27	19	2.70		4.7	711	281.71	18	2.10	GFA79	4P	0.35	13375	3922	84	0.90		GFA129R79	4P	5.1	664	262.93	18		2.20	GFAF79	5.9	570	225.79	19	2.60	GF79	6.7	501	198.31	19	3.00	GFF79	4.6	737	195.39	10	1.05	GFA69	6P	0.59	8079	2369		46	0.95	GFA109R79 GFAF109R79 GF109R79 GFF109R79	4P	5.2			644	170.85	11	1.20	GFAF69	5.5	612	162.31	11	1.30	GF69	6.3	537	142.40	11	1.45	GFF69	7.4	456	120.79	12	1.75		5.8	578	228.99	11	1.40	GFA69 GFAF69 GF69 GFF69			4P	1.1	4239	1243	55	1.85			6.8	493	195.39	12	1.65		7.8	431	170.85	12	1.85		8.2	410	162.31	12	1.95		9.3	359	142.40	12	2.20		11	305	120.79	12	2.70		5.6	596	157.09	8.6	0.95		GFA59	6P	1.2	4526	1327			28	0.95	GFA99R59 GFAF99R59 GF99R59 GFF99R59	4P	6.5	516	136.16	9.2	1.10	GFAF59	7.0	483	127.27	9.4	1.20	GF59	8.0	417	110.01	10	1.40	GFF59	6.7			504	199.70	9.4	1.15	GFA59 GFAF59 GF59 GFF59	4P	1.4	3994	1171	29	1.05			7.2	463	183.60	10	1.30		8.5	396	157.09	10	1.50		9.8	344	136.16	10	1.70		10	321	127.27	10	1.85		12	278	110.01	11	2.10		14	236	93.47	11	2.50		16	211	83.46	11	2.80				8.9	379	150.06	5.8	1.05	GFA49 GFAF49 GF49 GFF49	4P	1.5	3062	898	32	1.40			10	328	130.07	6.4	1.20		13	265	105.09	7.0	1.50		15	225	89.29	7.2	1.75		17	201	79.72	7.4	1.95		20	172	68.09	7.5	2.30		20	165	65.36			7.5	2.40		15	218			86.53	3.8	0.90	GFA39 GFAF39 GF39 GFF39	4P	1.6	2660	780	23	1.10	GFA89R59 GFAF89R59 GF89R59 GFF89R59	4P	16	204	80.65	4.0	0.95		19	178	70.50	4.3	1.10		20	167	66.09	4.4	1.20		23	147	58.32	4.6	1.35		24	138	54.54	4.7	1.45		26	130	51.70	4.8	1.50		28	119	47.02	4.9	1.65		30	111	43.95	4.9	1.80		35	97	38.31	5.0	2.00		37	91	35.91	5.0	2.20		42	80	31.69	5.0	2.50		47	71	28.10	4.9	2.80		56	60	23.88	4.7	3.30		0.55kW							1.7		2844	834	58	2.75			0.22	21468	6295	87	0.90	GFA159R99	4P	2.2	2183	640	59	3.55			0.26	18430	5404	97			1.05	GFAF159R99	0.50	9481	2780	113	2.00	GF159R99 GFF159R99	1.6	3025	887	17	1.00	GFA79R39 GFAF79R39 GF79R39 GFF79R39	4P	1.8	2660	780	23	1.10			1.8	2660	780	23	1.10		2.1	2299	674	24	1.30		2.3	2077	609	25	1.45		2.7	1756	515	26	1.70		3.1	1541	452		26	1.95		4.0	1177	345	27	2.55		2.9	1637	480	14	0.90	GFA69R39	4P	2.9	1637	480	14	0.90			3.4	1408	413	15	1.05	GFAF69R39	3.8	1252		367	16	1.20	GF69R39	4.3	1102	323	17	1.35	GFF69R39	5.4	876	257	9.2	0.90	GFA99	8P	5.4	876	257	9.2	0.90			6.0	788	231	10	1.05	GFAF99	6.8		699	205	11	1.15	GF99	7.9	597	175	11	1.35	GFF99	2.4	2046	270.68	25	1.45	GFA89	8P	2.4	2092	276.77	33	2.00			2.6	1931	255.37	25	1.50	GFAF89		2.9	1731	228.93	26	1.70	GF89	3.3	1491	197.20	26	1.95	GFF89	3.3	1518	270.68	26	1.90	GFA89	6P	2.6	1916	253.41	34	2.20			3.5	1432	255.37	26	2.00	GFAF89	3.9	1284	228.93	27	2.20	GF89	4.5	1106	197.20	27	2.60	GFF89	4.9	1009	179.97	27	2.90																								
5.3	628	166.47	18	2.30	GFF79		6.3	537	142.27	19	2.70			4.7	711	281.71	18	2.10	GFA79	4P	0.35	13375	3922	84	0.90		GFA129R79	4P	5.1	664	262.93		18		2.20	GFAF79	5.9	570		225.79	19	2.60	GF79	6.7	501	198.31	19	3.00	GFF79	4.6	737	195.39	10	1.05	GFA69	6P	0.59	8079	2369		46	0.95	GFA109R79 GFAF109R79 GF109R79 GFF109R79		4P	5.2			644			170.85	11	1.20	GFAF69	5.5	612	162.31	11	1.30	GF69	6.3	537	142.40	11	1.45	GFF69	7.4	456	120.79	12	1.75		5.8	578	228.99	11	1.40	GFA69 GFAF69 GF69 GFF69					4P	1.1	4239	1243	55	1.85			6.8	493	195.39	12	1.65		7.8	431	170.85	12	1.85		8.2	410	162.31	12	1.95		9.3	359	142.40	12	2.20		11	305	120.79	12	2.70		5.6	596	157.09	8.6		0.95		GFA59	6P	1.2			4526	1327			28	0.95	GFA99R59 GFAF99R59 GF99R59 GFF99R59	4P	6.5	516	136.16	9.2	1.10	GFAF59	7.0	483	127.27	9.4	1.20	GF59	8.0	417	110.01			10	1.40	GFF59	6.7			504	199.70	9.4	1.15	GFA59 GFAF59 GF59 GFF59	4P	1.4	3994	1171	29	1.05			7.2	463	183.60	10	1.30		8.5	396	157.09	10	1.50		9.8	344	136.16	10	1.70		10	321	127.27	10	1.85		12	278	110.01	11	2.10		14	236	93.47	11	2.50				16	211	83.46	11	2.80				8.9	379	150.06	5.8	1.05	GFA49 GFAF49 GF49 GFF49	4P	1.5	3062	898	32	1.40			10	328	130.07	6.4	1.20		13	265	105.09	7.0	1.50		15	225	89.29	7.2	1.75		17	201	79.72	7.4	1.95		20			172	68.09	7.5	2.30				20	165	65.36			7.5	2.40		15	218			86.53	3.8	0.90	GFA39 GFAF39 GF39 GFF39	4P	1.6	2660	780	23	1.10	GFA89R59 GFAF89R59 GF89R59 GFF89R59	4P	16	204	80.65	4.0	0.95		19	178	70.50	4.3	1.10		20	167	66.09	4.4	1.20		23	147	58.32	4.6	1.35		24	138	54.54	4.7	1.45		26	130	51.70	4.8	1.50		28	119	47.02	4.9	1.65		30	111	43.95	4.9	1.80		35	97	38.31	5.0	2.00		37	91	35.91	5.0	2.20		42	80	31.69	5.0	2.50		47	71	28.10	4.9	2.80		56	60		23.88	4.7	3.30		0.55kW							1.7		2844	834	58	2.75			0.22	21468	6295	87	0.90			GFA159R99	4P	2.2	2183	640	59	3.55			0.26	18430	5404	97			1.05	GFAF159R99	0.50	9481	2780	113	2.00	GF159R99 GFF159R99	1.6	3025	887	17	1.00	GFA79R39 GFAF79R39 GF79R39 GFF79R39	4P	1.8	2660	780	23	1.10			1.8	2660	780	23	1.10		2.1	2299	674	24	1.30			2.3	2077	609	25	1.45		2.7	1756	515	26	1.70		3.1	1541	452		26	1.95		4.0	1177	345	27	2.55		2.9	1637	480	14	0.90	GFA69R39		4P	2.9	1637	480	14	0.90			3.4	1408	413	15	1.05	GFAF69R39	3.8	1252		367	16	1.20	GF69R39	4.3	1102	323	17	1.35	GFF69R39	5.4	876	257	9.2		0.90	GFA99	8P	5.4	876	257	9.2	0.90			6.0	788	231	10	1.05	GFAF99	6.8		699	205	11	1.15	GF99	7.9	597	175	11	1.35	GFF99	2.4	2046		270.68	25	1.45	GFA89	8P	2.4	2092	276.77	33	2.00			2.6	1931	255.37	25	1.50	GFAF89		2.9	1731	228.93	26	1.70	GF89	3.3	1491	197.20	26	1.95	GFF89	3.3	1518	270.68	26	1.90	GFA89	6P	2.6	1916	253.41	34	2.20			3.5	1432	255.37	26	2.00	GFAF89	3.9	1284	228.93	27	2.20	GF89	4.5	1106	197.20	27	2.60	GFF89	4.9	1009	179.97	27	2.90					
6.3	537	142.27	19	2.70			4.7	711	281.71	18	2.10	GFA79		4P	0.35	13375	3922	84	0.90		GFA129R79	4P	5.1	664	262.93		18		2.20	GFAF79	5.9		570		225.79	19	2.60	GF79		6.7	501	198.31	19	3.00	GFF79	4.6	737	195.39	10	1.05	GFA69	6P	0.59	8079	2369		46	0.95	GFA109R79 GFAF109R79 GF109R79 GFF109R79		4P	5.2				644			170.85			11	1.20	GFAF69	5.5	612	162.31	11	1.30	GF69	6.3	537	142.40	11	1.45	GFF69	7.4	456	120.79	12	1.75		5.8	578	228.99	11	1.40	GFA69 GFAF69 GF69 GFF69							4P	1.1	4239	1243	55	1.85			6.8	493	195.39	12	1.65		7.8	431	170.85	12	1.85		8.2	410	162.31	12	1.95		9.3	359	142.40	12	2.20		11	305	120.79	12	2.70		5.6	596	157.09		8.6		0.95		GFA59			6P	1.2			4526	1327			28	0.95	GFA99R59 GFAF99R59 GF99R59 GFF99R59	4P	6.5	516	136.16	9.2	1.10	GFAF59	7.0	483	127.27	9.4	1.20			GF59	8.0	417	110.01			10	1.40	GFF59	6.7			504	199.70	9.4	1.15	GFA59 GFAF59 GF59 GFF59	4P	1.4	3994	1171	29	1.05			7.2	463	183.60	10	1.30		8.5	396	157.09	10	1.50		9.8	344	136.16	10	1.70		10	321	127.27	10	1.85		12	278	110.01	11	2.10				14	236	93.47	11	2.50				16	211	83.46	11	2.80				8.9	379	150.06	5.8	1.05	GFA49 GFAF49 GF49 GFF49	4P	1.5	3062	898	32	1.40			10	328	130.07	6.4	1.20		13	265	105.09	7.0	1.50		15	225	89.29	7.2	1.75				17	201	79.72	7.4			1.95		20			172	68.09	7.5	2.30				20	165	65.36			7.5	2.40		15	218			86.53	3.8	0.90	GFA39 GFAF39 GF39 GFF39	4P	1.6	2660	780	23	1.10	GFA89R59 GFAF89R59 GF89R59 GFF89R59	4P	16	204	80.65	4.0	0.95		19	178	70.50	4.3	1.10		20	167	66.09	4.4	1.20		23	147	58.32	4.6	1.35		24	138	54.54	4.7	1.45		26	130	51.70	4.8	1.50		28	119	47.02	4.9	1.65		30	111	43.95	4.9	1.80		35	97	38.31	5.0	2.00		37	91	35.91	5.0	2.20		42	80	31.69	5.0	2.50		47	71	28.10	4.9	2.80		56	60	23.88		4.7	3.30		0.55kW							1.7			2844		834	58	2.75			0.22	21468	6295	87	0.90	GFA159R99			4P	2.2	2183	640	59	3.55			0.26	18430	5404	97	1.05			GFAF159R99	0.50	9481	2780	113	2.00	GF159R99 GFF159R99	1.6	3025	887	17	1.00	GFA79R39 GFAF79R39 GF79R39 GFF79R39	4P	1.8	2660	780	23	1.10				1.8	2660	780	23	1.10		2.1	2299	674	24	1.30		2.3		2077	609	25	1.45		2.7	1756	515	26	1.70		3.1	1541	452	26	1.95			4.0	1177	345	27	2.55		2.9	1637	480	14	0.90	GFA69R39	4P	2.9		1637	480	14	0.90			3.4	1408	413	15	1.05	GFAF69R39	3.8	1252		367	16		1.20	GF69R39	4.3	1102	323	17	1.35	GFF69R39	5.4	876	257	9.2	0.90	GFA99		8P	5.4	876	257	9.2	0.90			6.0	788	231	10	1.05		GFAF99	6.8	699	205		11	1.15	GF99	7.9	597	175	11	1.35	GFF99	2.4	2046	270.68	25		1.45	GFA89	8P	2.4	2092	276.77	33	2.00			2.6	1931	255.37	25	1.50	GFAF89	2.9	1731		228.93	26	1.70	GF89	3.3	1491	197.20	26	1.95	GFF89	3.3	1518	270.68	26	1.90	GFA89	6P	2.6	1916	253.41	34	2.20			3.5	1432	255.37	26	2.00	GFAF89	3.9	1284	228.93	27	2.20
4.7	711	281.71	18	2.10	GFA79	4P	0.35	13375	3922	84	0.90	GFA129R79	4P																																																																																																																																																																																																																																																																																																																																																																																																																																																																																																																																																																																																																																														
5.1	664	262.93	18	2.20	GFAF79		5.9	570	225.79	19	2.60	GF79			6.7	501	198.31	19	3.00		GFF79		4.6	737	195.39	10	1.05		GFA69	6P	0.59	8079	2369	46	0.95	GFA109R79 GFAF109R79 GF109R79 GFF109R79	4P	5.2	644	170.85	11	1.20	GFAF69	5.5	612	162.31	11	1.30	GF69	6.3	537		142.40	11	1.45		GFF69	7.4				456		120.79		12			1.75		5.8	578	228.99	11	1.40	GFA69 GFAF69 GF69 GFF69	4P	1.1	4239	1243	55	1.85			6.8	493	195.39	12	1.65		7.8	431	170.85	12	1.85		8.2				410	162.31				12	1.95		9.3	359	142.40	12	2.20		11	305	120.79	12	2.70		5.6	596	157.09	8.6	0.95	GFA59	6P	1.2	4526	1327	28	0.95	GFA99R59 GFAF99R59 GF99R59 GFF99R59	4P	6.5	516	136.16	9.2	1.10	GFAF59	7.0	483	127.27	9.4	1.20	GF59	8.0	417	110.01		10	1.40	GFF59		6.7	504	199.70	9.4	1.15			GFA59 GFAF59 GF59 GFF59	4P			1.4	3994	1171	29	1.05			7.2	463	183.60	10			1.30		8.5	396			157.09	10	1.50				9.8	344	136.16	10			1.70		10	321	127.27	10	1.85		12	278	110.01	11	2.10		14	236	93.47	11	2.50		16	211	83.46	11	2.80		8.9	379	150.06	5.8	1.05	GFA49 GFAF49 GF49 GFF49	4P	1.5	3062	898	32	1.40			10	328	130.07	6.4			1.20		13	265	105.09	7.0			1.50		15	225	89.29	7.2			1.75		17	201	79.72	7.4	1.95		20	172	68.09	7.5	2.30		20	165	65.36	7.5	2.40		15	218	86.53	3.8			0.90	GFA39 GFAF39 GF39 GFF39	4P	1.6	2660	780	23	1.10	GFA89R59 GFAF89R59 GF89R59 GFF89R59	4P			16	204	80.65	4.0	0.95		19	178	70.50	4.3			1.10		20	167	66.09			4.4	1.20				23	147	58.32	4.6	1.35				24	138	54.54	4.7	1.45		26	130	51.70	4.8	1.50		28	119	47.02	4.9	1.65		30	111	43.95	4.9	1.80		35	97	38.31	5.0	2.00		37	91	35.91	5.0	2.20		42	80	31.69	5.0	2.50		47	71	28.10	4.9	2.80		56	60	23.88	4.7	3.30		0.55kW							1.7	2844	834	58	2.75			0.22	21468	6295	87	0.90	GFA159R99	4P	2.2	2183	640	59	3.55			0.26	18430	5404	97	1.05	GFAF159R99	0.50	9481	2780	113	2.00	GF159R99 GFF159R99	1.6	3025	887	17	1.00	GFA79R39 GFAF79R39 GF79R39 GFF79R39	4P				1.8	2660	780	23	1.10			1.8	2660	780	23	1.10				2.1	2299	674	24	1.30		2.3	2077	609	25	1.45				2.7	1756	515	26	1.70		3.1	1541	452	26	1.95		4.0	1177	345	27	2.55		2.9	1637	480	14	0.90	GFA69R39	4P	2.9	1637	480	14	0.90			3.4	1408	413	15	1.05		GFAF69R39	3.8	1252	367	16	1.20	GF69R39	4.3	1102	323	17	1.35	GFF69R39		5.4	876	257	9.2	0.90	GFA99	8P	5.4	876	257	9.2	0.90			6.0	788	231	10	1.05	GFAF99	6.8	699	205	11	1.15	GF99	7.9	597	175	11	1.35	GFF99	2.4	2046	270.68		25	1.45	GFA89	8P	2.4	2092	276.77	33	2.00			2.6	1931	255.37	25	1.50	GFAF89		2.9	1731	228.93	26	1.70	GF89	3.3	1491	197.20	26	1.95	GFF89	3.3		1518	270.68		26	1.90	GFA89	6P	2.6	1916	253.41	34	2.20			3.5	1432	255.37	26		2.00	GFAF89	3.9	1284	228.93	27	2.20	GF89	4.5	1106	197.20	27	2.60	GFF89	4.9	1009		179.97	27	2.90															
5.9	570	225.79	19	2.60	GF79		6.7	501	198.31	19	3.00	GFF79			4.6	737	195.39	10	1.05	GFA69	6P		0.59	8079	2369	46	0.95	GFA109R79 GFAF109R79 GF109R79 GFF109R79	4P		5.2	644	170.85	11	1.20			GFAF69	5.5	612	162.31	11	1.30	GF69	6.3	537	142.40	11	1.45	GFF69	7.4		456	120.79	12		1.75			5.8		578		228.99		11	1.40	GFA69 GFAF69 GF69 GFF69	4P	1.1	4239	1243	55	1.85					6.8	493	195.39	12	1.65		7.8	431	170.85	12	1.85		8.2	410	162.31	12	1.95		9.3			359	142.40	12	2.20				11	305	120.79	12	2.70		5.6	596	157.09	8.6	0.95	GFA59	6P	1.2	4526	1327	28	0.95	GFA99R59 GFAF99R59 GF99R59 GFF99R59	4P		6.5	516	136.16	9.2	1.10			GFAF59	7.0	483	127.27	9.4	1.20	GF59	8.0	417	110.01	10	1.40	GFF59	6.7	504	199.70	9.4	1.15	GFA59 GFAF59 GF59 GFF59		4P	1.4	3994	1171	29	1.05							7.2	463	183.60	10	1.30		8.5	396	157.09	10			1.50		9.8	344			136.16	10	1.70				10	321	127.27	10			1.85		12	278	110.01	11	2.10		14	236	93.47	11	2.50		16	211	83.46	11	2.80		8.9	379	150.06	5.8	1.05	GFA49 GFAF49 GF49 GFF49	4P	1.5	3062	898	32			1.40			10	328	130.07	6.4	1.20		13	265	105.09	7.0	1.50		15	225	89.29	7.2			1.75		17	201	79.72	7.4			1.95		20	172	68.09	7.5	2.30		20	165	65.36	7.5	2.40		15	218	86.53	3.8	0.90	GFA39 GFAF39 GF39 GFF39	4P	1.6	2660	780			23			1.10	GFA89R59 GFAF89R59 GF89R59 GFF89R59	4P	16	204					80.65	4.0	0.95		19	178	70.50	4.3	1.10				20	167	66.09	4.4	1.20		23	147	58.32	4.6			1.35		24	138	54.54			4.7	1.45		26	130	51.70	4.8	1.50		28	119	47.02	4.9	1.65		30	111	43.95	4.9	1.80		35	97	38.31	5.0	2.00		37	91	35.91	5.0	2.20		42	80	31.69	5.0	2.50		47	71	28.10	4.9	2.80		56	60	23.88	4.7	3.30		0.55kW							1.7	2844	834	58	2.75			0.22	21468	6295	87	0.90	GFA159R99	4P	2.2	2183	640		59	3.55			0.26	18430	5404	97	1.05	GFAF159R99	0.50	9481	2780	113	2.00	GF159R99 GFF159R99	1.6	3025	887	17	1.00	GFA79R39 GFAF79R39 GF79R39 GFF79R39	4P	1.8			2660	780	23	1.10			1.8	2660	780	23	1.10		2.1	2299	674			24	1.30		2.3	2077	609	25	1.45		2.7	1756	515			26	1.70		3.1	1541	452	26	1.95		4.0	1177	345	27	2.55		2.9	1637	480	14	0.90	GFA69R39	4P	2.9	1637	480		14	0.90			3.4	1408	413	15	1.05	GFAF69R39	3.8	1252	367	16	1.20	GF69R39	4.3	1102	323	17	1.35	GFF69R39	5.4	876	257	9.2		0.90	GFA99	8P	5.4	876	257		9.2	0.90			6.0	788	231	10	1.05	GFAF99	6.8	699	205	11	1.15	GF99	7.9	597	175	11	1.35	GFF99	2.4	2046	270.68	25	1.45	GFA89	8P	2.4	2092	276.77		33	2.00			2.6	1931	255.37	25	1.50	GFAF89	2.9	1731	228.93	26	1.70	GF89	3.3	1491	197.20	26	1.95	GFF89	3.3	1518	270.68	26	1.90	GFA89	6P	2.6		1916	253.41	34		2.20			3.5	1432	255.37	26	2.00	GFAF89	3.9	1284		228.93	27	2.20	GF89	4.5	1106	197.20	27	2.60	GFF89	4.9	1009	179.97	27	2.90																				
6.7	501	198.31	19	3.00	GFF79		4.6	737	195.39	10	1.05	GFA69		6P	0.59	8079	2369	46	0.95	GFA109R79 GFAF109R79 GF109R79 GFF109R79		4P	5.2	644	170.85	11	1.20				GFAF69	5.5	612	162.31	11			1.30	GF69	6.3	537	142.40	11	1.45	GFF69	7.4	456	120.79	12	1.75			5.8	578	228.99	11	1.40	GFA69 GFAF69 GF69 GFF69		4P		1.1	4239	1243	55	1.85					6.8	493	195.39	12	1.65				7.8	431	170.85	12	1.85		8.2	410	162.31	12	1.95		9.3	359	142.40	12	2.20		11		305	120.79	12	2.70		5.6		596	157.09	8.6	0.95	GFA59	6P	1.2	4526	1327	28	0.95	GFA99R59 GFAF99R59 GF99R59 GFF99R59	4P		6.5	516	136.16	9.2	1.10				GFAF59	7.0	483	127.27	9.4			1.20	GF59	8.0	417	110.01	10	1.40	GFF59	6.7	504	199.70	9.4	1.15	GFA59 GFAF59 GF59 GFF59	4P	1.4	3994	1171		29		1.05			7.2	463	183.60			10	1.30		8.5	396	157.09	10	1.50		9.8	344	136.16	10			1.70		10	321			127.27	10	1.85				12	278	110.01	11			2.10		14	236	93.47	11	2.50		16	211	83.46	11	2.80		8.9	379	150.06	5.8	1.05	GFA49 GFAF49 GF49 GFF49	4P	1.5	3062	898	32			1.40			10			328	130.07	6.4	1.20		13	265	105.09	7.0	1.50		15	225	89.29	7.2	1.75		17	201	79.72	7.4	1.95		20	172	68.09	7.5			2.30		20	165	65.36	7.5	2.40		15	218	86.53	3.8	0.90	GFA39 GFAF39 GF39 GFF39	4P	1.6	2660	780	23			1.10	GFA89R59 GFAF89R59 GF89R59 GFF89R59	4P			16			204			80.65	4.0					0.95		19	178	70.50	4.3	1.10		20	167			66.09	4.4	1.20		23	147	58.32	4.6	1.35				24	138	54.54	4.7	1.45		26	130	51.70	4.8	1.50		28	119	47.02	4.9	1.65		30	111	43.95	4.9	1.80		35	97	38.31	5.0	2.00		37	91	35.91	5.0	2.20		42	80	31.69	5.0	2.50		47	71	28.10	4.9	2.80		56	60	23.88	4.7	3.30		0.55kW							1.7	2844	834	58	2.75			0.22	21468	6295	87	0.90	GFA159R99	4P	2.2	2183	640		59	3.55				0.26	18430	5404	97	1.05	GFAF159R99	0.50	9481	2780	113	2.00	GF159R99 GFF159R99	1.6	3025	887	17	1.00	GFA79R39 GFAF79R39 GF79R39 GFF79R39	4P	1.8			2660			780	23	1.10			1.8	2660	780	23	1.10		2.1	2299	674	24	1.30		2.3	2077	609	25	1.45		2.7	1756	515	26	1.70				3.1	1541	452	26	1.95		4.0	1177	345	27	2.55		2.9	1637	480	14	0.90	GFA69R39	4P	2.9	1637		480	14	0.90				3.4	1408	413	15	1.05	GFAF69R39	3.8	1252	367	16	1.20	GF69R39	4.3	1102	323	17	1.35	GFF69R39	5.4	876	257	9.2	0.90	GFA99	8P	5.4	876		257	9.2	0.90				6.0	788	231	10	1.05	GFAF99	6.8	699	205	11	1.15	GF99	7.9	597	175	11	1.35	GFF99	2.4	2046	270.68	25	1.45	GFA89	8P	2.4		2092	276.77	33		2.00			2.6	1931	255.37	25	1.50	GFAF89	2.9	1731	228.93	26	1.70	GF89	3.3	1491	197.20	26	1.95	GFF89	3.3	1518	270.68	26	1.90	GFA89	6P		2.6	1916	253.41	34	2.20				3.5	1432	255.37	26	2.00	GFAF89	3.9	1284	228.93	27	2.20	GF89	4.5	1106	197.20	27	2.60	GFF89	4.9	1009	179.97	27	2.90																						
4.6	737	195.39	10	1.05	GFA69	6P	0.59	8079	2369	46	0.95	GFA109R79 GFAF109R79 GF109R79 GFF109R79	4P																																																																																																																																																																																																																																																																																																																																																																																																																																																																																																																																																																																																																																														
5.2	644	170.85	11	1.20	GFAF69		5.5	612	162.31	11	1.30				GF69	6.3	537	142.40	11				1.45	GFF69	7.4	456	120.79				12	1.75		5.8	578			228.99	11	1.40	GFA69 GFAF69 GF69 GFF69	4P	1.1	4239	1243	55	1.85			6.8	493	195.39	12	1.65		7.8	431		170.85		12	1.85		8.2	410	162.31	12			1.95		9.3	359	142.40	12			2.20		11	305	120.79	12	2.70		5.6	596	157.09	8.6	0.95	GFA59	6P	1.2	4526	1327	28	0.95	GFA99R59 GFAF99R59 GF99R59 GFF99R59	4P	6.5	516	136.16	9.2	1.10	GFAF59	7.0	483	127.27	9.4	1.20		GF59	8.0	417	110.01	10				1.40	GFF59	6.7	504	199.70			9.4	1.15	GFA59 GFAF59 GF59 GFF59	4P	1.4	3994	1171	29	1.05			7.2	463	183.60	10	1.30		8.5	396	157.09	10			1.50		9.8		344		136.16	10	1.70		10	321			127.27	10	1.85		12	278	110.01	11	2.10		14	236	93.47	11	2.50		16	211	83.46	11	2.80		8.9	379	150.06			5.8	1.05	GFA49 GFAF49 GF49 GFF49	4P			1.5	3062	898	32	1.40			10	328	130.07	6.4	1.20		13	265	105.09	7.0	1.50				15	225	89.29	7.2			1.75		17	201			79.72	7.4	1.95		20	172	68.09	7.5	2.30		20	165	65.36	7.5	2.40		15	218	86.53	3.8	0.90	GFA39 GFAF39 GF39 GFF39	4P	1.6	2660	780	23	1.10	GFA89R59 GFAF89R59 GF89R59 GFF89R59	4P	16	204	80.65	4.0	0.95		19	178	70.50	4.3	1.10				20	167	66.09	4.4			1.20								23			147	58.32	4.6	1.35				24	138	54.54	4.7	1.45		26	130	51.70			4.8	1.50		28	119	47.02	4.9	1.65		30			111	43.95	4.9	1.80		35	97	38.31	5.0	2.00		37	91	35.91	5.0	2.20		42	80	31.69	5.0	2.50		47	71	28.10	4.9	2.80		56	60	23.88	4.7	3.30		0.55kW							1.7	2844	834	58	2.75			0.22	21468	6295	87	0.90	GFA159R99	4P	2.2	2183	640	59	3.55			0.26	18430	5404	97	1.05	GFAF159R99	0.50	9481	2780	113	2.00		GF159R99 GFF159R99	1.6	3025	887	17	1.00	GFA79R39 GFAF79R39 GF79R39 GFF79R39	4P	1.8	2660	780	23	1.10			1.8	2660	780	23	1.10		2.1	2299	674	24	1.30						2.3			2077	609	25	1.45		2.7	1756	515	26	1.70		3.1	1541	452	26	1.95		4.0	1177	345	27	2.55		2.9	1637	480	14	0.90	GFA69R39	4P	2.9	1637	480	14	0.90			3.4	1408	413	15	1.05	GFAF69R39	3.8	1252	367	16	1.20	GF69R39		4.3	1102		323	17	1.35	GFF69R39	5.4	876	257	9.2	0.90	GFA99	8P	5.4	876	257	9.2	0.90			6.0	788	231	10	1.05	GFAF99	6.8	699	205	11	1.15	GF99		7.9	597	175	11	1.35	GFF99	2.4	2046	270.68	25	1.45	GFA89	8P	2.4	2092	276.77	33	2.00			2.6	1931	255.37	25	1.50	GFAF89	2.9	1731	228.93	26	1.70	GF89	3.3		1491		197.20	26	1.95	GFF89	3.3	1518	270.68	26	1.90	GFA89	6P	2.6	1916	253.41	34	2.20			3.5	1432	255.37	26	2.00	GFAF89	3.9	1284	228.93	27	2.20	GF89	4.5			1106	197.20	27	2.60	GFF89		4.9	1009	179.97	27	2.90																																										
5.5	612	162.31	11	1.30	GF69		6.3	537	142.40	11	1.45				GFF69	7.4	456	120.79	12				1.75		5.8	578	228.99			11	1.40	GFA69 GFAF69 GF69 GFF69	4P	1.1	4239	1243	55	1.85					6.8	493	195.39	12	1.65		7.8	431	170.85	12	1.85		8.2	410	162.31		12		1.95		9.3	359	142.40	12	2.20				11	305	120.79	12	2.70		5.6	596	157.09	8.6	0.95	GFA59	6P	1.2	4526	1327	28	0.95	GFA99R59 GFAF99R59 GF99R59 GFF99R59	4P	6.5		516	136.16	9.2	1.10	GFAF59			7.0	483	127.27	9.4	1.20	GF59	8.0	417	110.01	10	1.40		GFF59	6.7	504	199.70	9.4			1.15	GFA59 GFAF59 GF59 GFF59	4P	1.4	3994	1171	29	1.05					7.2	463	183.60	10	1.30		8.5	396	157.09	10	1.50		9.8	344	136.16	10	1.70				10	321		127.27		10	1.85		12	278	110.01			11	2.10		14	236	93.47	11	2.50		16	211	83.46	11	2.80		8.9	379	150.06	5.8	1.05	GFA49 GFAF49 GF49 GFF49	4P	1.5	3062	898	32	1.40							10	328	130.07	6.4	1.20		13	265	105.09	7.0	1.50		15	225	89.29	7.2	1.75		17			201	79.72	7.4	1.95				20	172	68.09	7.5	2.30		20	165	65.36	7.5	2.40		15	218	86.53	3.8	0.90	GFA39 GFAF39 GF39 GFF39	4P	1.6	2660	780	23	1.10	GFA89R59 GFAF89R59 GF89R59 GFF89R59	4P			16	204	80.65	4.0	0.95				19	178	70.50	4.3	1.10		20	167	66.09	4.4	1.20				23	147	58.32			4.6					1.35				24	138	54.54	4.7	1.45				26	130	51.70	4.8	1.50		28	119	47.02	4.9			1.65		30	111	43.95	4.9	1.80		35	97			38.31	5.0	2.00		37	91	35.91	5.0	2.20		42	80	31.69	5.0	2.50		47	71	28.10	4.9	2.80		56	60	23.88	4.7	3.30		0.55kW							1.7	2844	834	58	2.75			0.22	21468	6295	87	0.90	GFA159R99	4P	2.2	2183	640	59	3.55				0.26	18430	5404	97	1.05	GFAF159R99	0.50	9481	2780	113	2.00	GF159R99 GFF159R99	1.6	3025	887	17	1.00	GFA79R39 GFAF79R39 GF79R39 GFF79R39	4P	1.8	2660	780	23	1.10					1.8	2660	780	23	1.10		2.1	2299	674	24	1.30		2.3	2077	609	25			1.45				2.7	1756	515	26	1.70		3.1	1541	452	26	1.95		4.0	1177	345	27	2.55		2.9	1637	480	14	0.90	GFA69R39	4P	2.9	1637	480	14	0.90				3.4	1408	413	15	1.05	GFAF69R39	3.8	1252	367	16	1.20	GF69R39	4.3	1102	323	17	1.35	GFF69R39		5.4	876	257	9.2	0.90	GFA99	8P	5.4	876	257	9.2	0.90				6.0	788	231	10	1.05	GFAF99	6.8	699	205	11	1.15	GF99	7.9	597	175	11	1.35	GFF99	2.4	2046	270.68	25	1.45	GFA89	8P	2.4	2092	276.77	33	2.00				2.6	1931	255.37	25	1.50	GFAF89	2.9	1731	228.93	26	1.70	GF89	3.3	1491	197.20	26	1.95	GFF89	3.3		1518	270.68	26	1.90	GFA89	6P	2.6	1916	253.41	34	2.20				3.5	1432	255.37	26	2.00	GFAF89	3.9	1284	228.93	27	2.20	GF89	4.5	1106	197.20	27	2.60	GFF89	4.9			1009	179.97	27	2.90																																																	
6.3	537	142.40	11	1.45	GFF69		7.4	456	120.79	12	1.75					5.8	578	228.99	11		1.40		GFA69 GFAF69 GF69 GFF69	4P	1.1	4239	1243	55	1.85					6.8	493	195.39	12	1.65		7.8			431	170.85	12	1.85		8.2	410	162.31	12	1.95		9.3	359	142.40	12		2.20			11	305	120.79	12	2.70		5.6	596	157.09	8.6	0.95	GFA59	6P	1.2	4526	1327	28	0.95	GFA99R59 GFAF99R59 GF99R59 GFF99R59	4P	6.5		516	136.16	9.2	1.10	GFAF59			7.0		483	127.27	9.4	1.20	GF59			8.0	417	110.01	10	1.40	GFF59	6.7	504	199.70	9.4	1.15	GFA59 GFAF59 GF59 GFF59	4P	1.4	3994	1171	29	1.05					7.2	463	183.60	10	1.30		8.5			396	157.09	10	1.50		9.8	344	136.16	10	1.70		10	321	127.27	10	1.85				12	278	110.01		11		2.10		14	236	93.47	11			2.50		16	211	83.46	11	2.80		8.9	379	150.06	5.8	1.05	GFA49 GFAF49 GF49 GFF49	4P	1.5	3062	898	32	1.40					10	328	130.07	6.4	1.20				13	265	105.09	7.0	1.50		15	225	89.29	7.2	1.75		17	201	79.72	7.4	1.95		20	172			68.09	7.5	2.30		20	165	65.36	7.5	2.40		15	218	86.53	3.8	0.90	GFA39 GFAF39 GF39 GFF39	4P	1.6	2660	780	23	1.10	GFA89R59 GFAF89R59 GF89R59 GFF89R59	4P			16	204	80.65	4.0	0.95						19	178	70.50	4.3			1.10		20	167	66.09	4.4	1.20		23	147	58.32	4.6			1.35		24	138			54.54	4.7	1.45						26	130	51.70	4.8	1.50		28			119	47.02	4.9	1.65		30	111	43.95	4.9	1.80				35	97	38.31	5.0	2.00		37	91	35.91			5.0	2.20		42	80	31.69	5.0	2.50		47	71	28.10	4.9	2.80		56	60	23.88	4.7	3.30		0.55kW							1.7	2844	834	58	2.75			0.22	21468	6295	87	0.90	GFA159R99	4P	2.2	2183	640	59	3.55				0.26	18430	5404	97	1.05		GFAF159R99	0.50	9481	2780	113	2.00	GF159R99 GFF159R99	1.6	3025	887	17	1.00	GFA79R39 GFAF79R39 GF79R39 GFF79R39	4P	1.8	2660	780	23			1.10			1.8	2660			780	23	1.10		2.1	2299	674	24	1.30		2.3	2077	609	25	1.45		2.7	1756			515	26	1.70		3.1	1541	452	26	1.95		4.0	1177	345	27	2.55		2.9	1637	480	14	0.90	GFA69R39	4P	2.9	1637	480	14	0.90				3.4	1408	413	15		1.05	GFAF69R39	3.8	1252	367	16	1.20	GF69R39	4.3	1102	323	17	1.35	GFF69R39	5.4	876	257	9.2	0.90	GFA99	8P	5.4	876	257	9.2	0.90				6.0	788	231	10		1.05	GFAF99	6.8	699	205	11	1.15	GF99	7.9	597	175	11	1.35	GFF99	2.4	2046	270.68	25	1.45	GFA89	8P	2.4	2092	276.77	33		2.00			2.6	1931	255.37		25	1.50	GFAF89	2.9	1731	228.93	26	1.70	GF89	3.3	1491	197.20	26	1.95	GFF89	3.3	1518	270.68	26	1.90	GFA89	6P	2.6	1916	253.41	34		2.20			3.5	1432	255.37		26	2.00	GFAF89	3.9	1284	228.93	27	2.20	GF89	4.5	1106	197.20	27	2.60	GFF89	4.9	1009	179.97	27	2.90																																																							
7.4	456	120.79	12	1.75			5.8	578	228.99	11	1.40			GFA69 GFAF69 GF69 GFF69	4P	1.1	4239	1243	55	1.85					6.8	493	195.39	12	1.65		7.8			431	170.85	12	1.85		8.2	410			162.31	12	1.95		9.3	359	142.40	12	2.20		11	305	120.79	12	2.70		5.6	596	157.09	8.6	0.95	GFA59	6P	1.2	4526	1327	28	0.95	GFA99R59 GFAF99R59 GF99R59 GFF99R59	4P	6.5		516	136.16	9.2	1.10	GFAF59			7.0		483	127.27	9.4	1.20	GF59			8.0		417	110.01	10	1.40	GFF59			6.7	504	199.70	9.4	1.15	GFA59 GFAF59 GF59 GFF59	4P	1.4	3994	1171	29			1.05			7.2	463	183.60	10			1.30		8.5	396	157.09	10	1.50				9.8	344	136.16	10	1.70		10	321	127.27	10	1.85		12	278	110.01	11			2.10		14		236		93.47	11	2.50		16	211			83.46	11	2.80		8.9	379	150.06	5.8	1.05	GFA49 GFAF49 GF49 GFF49	4P	1.5	3062			898	32	1.40					10	328	130.07	6.4	1.20		13			265	105.09	7.0	1.50		15	225	89.29	7.2	1.75		17	201	79.72	7.4	1.95		20	172	68.09	7.5	2.30		20	165	65.36	7.5	2.40		15	218	86.53	3.8	0.90	GFA39 GFAF39 GF39 GFF39	4P	1.6	2660			780	23	1.10	GFA89R59 GFAF89R59 GF89R59 GFF89R59	4P					16	204	80.65	4.0	0.95						19	178	70.50	4.3			1.10		20	167	66.09	4.4	1.20		23	147	58.32	4.6			1.35		24	138			54.54	4.7	1.45						26	130	51.70	4.8	1.50		28			119	47.02	4.9	1.65		30	111	43.95	4.9	1.80				35	97	38.31	5.0	2.00		37	91	35.91			5.0	2.20		42	80	31.69	5.0	2.50		47	71	28.10	4.9	2.80		56	60	23.88	4.7	3.30		0.55kW							1.7	2844	834	58	2.75			0.22	21468	6295	87	0.90	GFA159R99		4P	2.2	2183	640	59	3.55				0.26	18430	5404	97	1.05	GFAF159R99	0.50	9481	2780	113	2.00	GF159R99 GFF159R99	1.6	3025	887	17	1.00			GFA79R39 GFAF79R39 GF79R39 GFF79R39	4P	1.8	2660			780	23	1.10					1.8	2660	780	23	1.10		2.1	2299	674	24	1.30		2.3	2077	609	25	1.45		2.7	1756	515	26	1.70		3.1	1541	452	26	1.95		4.0	1177	345	27	2.55		2.9	1637	480	14	0.90	GFA69R39		4P	2.9	1637	480	14		0.90			3.4	1408	413		15	1.05	GFAF69R39	3.8	1252	367	16	1.20	GF69R39	4.3	1102	323	17	1.35	GFF69R39	5.4	876	257	9.2	0.90		GFA99	8P	5.4	876	257		9.2	0.90			6.0	788	231	10	1.05	GFAF99	6.8	699	205	11	1.15	GF99	7.9	597	175	11	1.35	GFF99	2.4	2046	270.68	25	1.45		GFA89	8P	2.4	2092		276.77	33	2.00			2.6		1931	255.37	25	1.50	GFAF89	2.9	1731	228.93	26	1.70	GF89	3.3	1491	197.20	26	1.95	GFF89	3.3	1518	270.68	26		1.90	GFA89	6P	2.6		1916	253.41	34	2.20				3.5	1432	255.37	26	2.00	GFAF89	3.9	1284	228.93	27	2.20	GF89	4.5	1106	197.20	27	2.60	GFF89	4.9	1009	179.97	27	2.90																																																				
5.8	578	228.99	11	1.40	GFA69 GFAF69 GF69 GFF69	4P	1.1	4239	1243	55	1.85																																																																																																																																																																																																																																																																																																																																																																																																																																																																																																																																																																																																																																																
6.8	493	195.39	12	1.65				7.8	431	170.85	12	1.85				8.2	410	162.31	12	1.95		9.3			359	142.40	12	2.20		11	305			120.79	12	2.70		5.6	596	157.09	8.6	0.95	GFA59	6P	1.2	4526	1327	28	0.95	GFA99R59 GFAF99R59 GF99R59 GFF99R59	4P	6.5	516	136.16	9.2	1.10	GFAF59	7.0	483	127.27	9.4	1.20	GF59	8.0		417	110.01	10	1.40	GFF59			6.7		504	199.70	9.4	1.15	GFA59 GFAF59 GF59 GFF59			4P	1.4	3994	1171	29	1.05			7.2	463	183.60	10	1.30		8.5	396	157.09	10	1.50		9.8	344	136.16			10	1.70		10			321	127.27	10	1.85		12	278			110.01	11	2.10		14	236	93.47			11	2.50		16	211	83.46	11	2.80		8.9	379	150.06	5.8	1.05	GFA49 GFAF49 GF49 GFF49	4P	1.5			3062	898	32	1.40			10	328	130.07	6.4	1.20		13	265	105.09	7.0	1.50		15	225	89.29	7.2	1.75				17			201	79.72	7.4	1.95				20	172	68.09	7.5	2.30		20	165	65.36	7.5	2.40		15	218	86.53	3.8	0.90	GFA39 GFAF39 GF39 GFF39	4P	1.6	2660	780	23	1.10	GFA89R59 GFAF89R59 GF89R59 GFF89R59	4P	16	204	80.65	4.0	0.95		19	178	70.50	4.3	1.10		20	167	66.09	4.4	1.20				23			147	58.32	4.6							1.35		24	138	54.54	4.7	1.45				26	130	51.70	4.8	1.50		28	119	47.02	4.9	1.65		30	111	43.95	4.9	1.80				35	97	38.31	5.0			2.00		37	91	35.91	5.0			2.20		42	80	31.69	5.0	2.50				47	71	28.10	4.9	2.80		56	60	23.88			4.7	3.30		0.55kW									1.7	2844	834	58	2.75			0.22	21468	6295	87	0.90	GFA159R99	4P	2.2	2183	640	59	3.55			0.26	18430	5404	97	1.05	GFAF159R99	0.50	9481	2780	113	2.00	GF159R99 GFF159R99	1.6	3025	887	17	1.00	GFA79R39 GFAF79R39 GF79R39 GFF79R39	4P	1.8	2660		780	23	1.10			1.8	2660	780	23	1.10		2.1	2299	674	24	1.30		2.3	2077	609	25	1.45		2.7	1756					515	26			1.70		3.1	1541	452	26	1.95		4.0	1177	345	27	2.55		2.9	1637	480	14	0.90	GFA69R39	4P	2.9	1637	480	14	0.90			3.4	1408	413	15	1.05	GFAF69R39	3.8	1252	367	16	1.20	GF69R39	4.3	1102	323	17	1.35	GFF69R39	5.4	876	257			9.2	0.90	GFA99	8P	5.4	876	257	9.2	0.90			6.0	788	231	10	1.05	GFAF99	6.8	699	205	11	1.15	GF99	7.9	597	175	11	1.35	GFF99	2.4	2046	270.68	25	1.45		GFA89	8P	2.4	2092	276.77	33	2.00			2.6	1931	255.37	25	1.50	GFAF89	2.9	1731	228.93	26	1.70	GF89	3.3	1491	197.20	26	1.95	GFF89	3.3	1518	270.68	26		1.90		GFA89	6P	2.6	1916	253.41	34	2.20			3.5	1432	255.37	26	2.00	GFAF89	3.9	1284	228.93	27	2.20	GF89	4.5	1106	197.20	27	2.60	GFF89	4.9	1009	179.97	27		2.90																																																																																						
7.8	431	170.85	12	1.85				8.2	410	162.31	12	1.95				9.3	359	142.40	12	2.20		11			305	120.79	12	2.70		5.6	596	157.09	8.6	0.95	GFA59	6P	1.2	4526	1327	28	0.95	GFA99R59 GFAF99R59 GF99R59 GFF99R59	4P		6.5	516	136.16	9.2	1.10			GFAF59	7.0	483	127.27	9.4	1.20	GF59	8.0	417	110.01	10	1.40	GFF59		6.7	504	199.70	9.4	1.15			GFA59 GFAF59 GF59 GFF59	4P	1.4	3994	1171	29		1.05				7.2	463	183.60	10	1.30		8.5	396	157.09	10	1.50		9.8	344	136.16	10	1.70		10	321	127.27			10	1.85		12			278	110.01	11	2.10		14	236			93.47	11	2.50		16	211	83.46			11	2.80		8.9	379	150.06	5.8	1.05	GFA49 GFAF49 GF49 GFF49	4P	1.5	3062	898	32			1.40			10	328	130.07	6.4	1.20		13	265	105.09	7.0	1.50		15	225	89.29	7.2	1.75		17	201	79.72	7.4	1.95				20			172	68.09	7.5	2.30		20	165	65.36	7.5	2.40		15	218	86.53	3.8	0.90	GFA39 GFAF39 GF39 GFF39	4P	1.6	2660	780	23	1.10	GFA89R59 GFAF89R59 GF89R59 GFF89R59			4P	16	204	80.65	4.0			0.95		19	178	70.50	4.3	1.10		20	167	66.09	4.4	1.20		23	147	58.32			4.6	1.35				24	138			54.54	4.7			1.45		26	130	51.70	4.8	1.50				28	119	47.02	4.9	1.65		30	111	43.95	4.9	1.80		35	97	38.31	5.0	2.00				37	91	35.91	5.0			2.20		42	80	31.69	5.0			2.50		47	71	28.10	4.9	2.80		56	60	23.88	4.7	3.30		0.55kW							1.7	2844	834	58	2.75			0.22	21468	6295			87	0.90	GFA159R99	4P	2.2	2183	640	59	3.55			0.26	18430		5404	97	1.05	GFAF159R99	0.50	9481	2780	113	2.00	GF159R99 GFF159R99	1.6	3025	887	17	1.00	GFA79R39 GFAF79R39 GF79R39 GFF79R39	4P	1.8	2660	780	23	1.10					1.8	2660	780	23	1.10		2.1	2299	674	24	1.30		2.3	2077	609	25	1.45		2.7	1756	515	26	1.70		3.1	1541	452	26					1.95		4.0	1177	345	27	2.55		2.9	1637	480	14	0.90	GFA69R39	4P	2.9	1637	480	14	0.90			3.4	1408		413	15	1.05	GFAF69R39	3.8	1252	367	16	1.20	GF69R39	4.3	1102	323	17	1.35	GFF69R39	5.4	876	257	9.2	0.90	GFA99	8P	5.4	876	257	9.2	0.90				6.0	788		231	10	1.05	GFAF99	6.8	699	205	11	1.15	GF99	7.9	597	175	11	1.35	GFF99	2.4	2046	270.68	25	1.45	GFA89	8P	2.4	2092	276.77	33	2.00			2.6	1931		255.37	25	1.50	GFAF89	2.9	1731	228.93	26	1.70	GF89	3.3	1491	197.20	26	1.95	GFF89	3.3	1518	270.68	26	1.90	GFA89	6P	2.6	1916	253.41	34	2.20			3.5		1432		255.37	26	2.00	GFAF89	3.9	1284	228.93	27	2.20	GF89	4.5	1106	197.20	27	2.60	GFF89	4.9	1009	179.97	27	2.90																																																																																																
8.2	410	162.31	12	1.95				9.3	359	142.40	12	2.20				11	305	120.79	12	2.70		5.6	596	157.09	8.6	0.95	GFA59	6P	1.2	4526	1327	28	0.95	GFA99R59 GFAF99R59 GF99R59 GFF99R59	4P		6.5	516	136.16	9.2	1.10				GFAF59	7.0	483	127.27	9.4			1.20	GF59	8.0	417	110.01	10	1.40	GFF59	6.7	504	199.70	9.4	1.15	GFA59 GFAF59 GF59 GFF59	4P	1.4	3994	1171	29	1.05					7.2	463	183.60		10	1.30			8.5	396	157.09	10	1.50		9.8	344	136.16	10	1.70		10	321	127.27	10	1.85		12	278	110.01			11	2.10		14			236	93.47	11	2.50		16	211			83.46	11	2.80		8.9	379	150.06			5.8	1.05	GFA49 GFAF49 GF49 GFF49	4P	1.5	3062	898	32			1.40			10			328	130.07	6.4	1.20		13	265	105.09	7.0	1.50		15	225	89.29	7.2	1.75		17	201	79.72	7.4	1.95		20	172	68.09			7.5	2.30		20	165	65.36	7.5	2.40		15	218	86.53	3.8	0.90	GFA39 GFAF39 GF39 GFF39	4P	1.6	2660	780	23			1.10	GFA89R59 GFAF89R59 GF89R59 GFF89R59	4P	16	204					80.65	4.0	0.95				19	178	70.50	4.3	1.10		20	167	66.09	4.4	1.20		23	147	58.32	4.6	1.35				24			138	54.54	4.7	1.45		26	130			51.70	4.8	1.50		28	119	47.02			4.9	1.65		30	111	43.95	4.9	1.80		35	97	38.31	5.0	2.00		37	91	35.91	5.0			2.20		42	80			31.69	5.0	2.50		47	71			28.10	4.9	2.80		56	60	23.88	4.7	3.30		0.55kW							1.7	2844	834	58	2.75			0.22	21468	6295	87	0.90	GFA159R99	4P			2.2	2183	640		59	3.55			0.26	18430	5404	97	1.05		GFAF159R99	0.50	9481	2780	113	2.00	GF159R99 GFF159R99	1.6	3025	887	17	1.00	GFA79R39 GFAF79R39 GF79R39 GFF79R39	4P	1.8			2660	780	23	1.10			1.8			2660	780	23	1.10		2.1	2299	674	24	1.30		2.3	2077	609	25	1.45		2.7	1756	515	26	1.70		3.1	1541	452	26	1.95		4.0			1177	345	27	2.55		2.9	1637	480	14	0.90	GFA69R39	4P	2.9	1637		480	14	0.90			3.4	1408	413	15		1.05	GFAF69R39	3.8	1252	367	16	1.20	GF69R39	4.3	1102	323	17	1.35	GFF69R39	5.4	876	257	9.2	0.90	GFA99	8P	5.4		876	257	9.2	0.90			6.0	788	231	10		1.05	GFAF99	6.8	699	205	11	1.15	GF99	7.9	597	175	11	1.35	GFF99	2.4	2046	270.68	25	1.45	GFA89	8P	2.4		2092	276.77	33	2.00			2.6	1931	255.37		25	1.50	GFAF89	2.9	1731	228.93	26	1.70	GF89	3.3	1491	197.20	26	1.95	GFF89	3.3	1518	270.68	26	1.90	GFA89	6P		2.6	1916	253.41	34	2.20			3.5	1432	255.37		26	2.00	GFAF89	3.9	1284	228.93	27	2.20	GF89	4.5	1106	197.20	27	2.60	GFF89	4.9	1009	179.97	27	2.90																																																																																																	
9.3	359	142.40	12	2.20				11	305	120.79	12	2.70		5.6	596	157.09	8.6	0.95	GFA59	6P	1.2	4526	1327	28	0.95	GFA99R59 GFAF99R59 GF99R59 GFF99R59	4P		6.5	516	136.16	9.2	1.10				GFAF59	7.0	483	127.27	9.4				1.20	GF59	8.0	417	110.01			10	1.40	GFF59	6.7	504	199.70	9.4	1.15	GFA59 GFAF59 GF59 GFF59	4P	1.4	3994	1171			29	1.05			7.2	463			183.60	10	1.30			8.5	396		157.09	10	1.50		9.8	344	136.16	10	1.70		10	321	127.27	10	1.85		12	278	110.01	11	2.10				14	236	93.47	11			2.50		16	211	83.46	11	2.80				8.9	379	150.06	5.8	1.05	GFA49 GFAF49 GF49 GFF49	4P	1.5	3062	898			32	1.40					10	328	130.07	6.4			1.20		13	265	105.09	7.0	1.50		15	225	89.29	7.2	1.75		17	201	79.72	7.4	1.95		20	172	68.09	7.5	2.30		20	165	65.36	7.5	2.40		15	218	86.53	3.8	0.90	GFA39 GFAF39 GF39 GFF39	4P	1.6	2660	780			23	1.10	GFA89R59 GFAF89R59 GF89R59 GFF89R59	4P			16			204	80.65					4.0	0.95		19			178	70.50	4.3	1.10		20	167	66.09	4.4	1.20		23	147	58.32	4.6	1.35				24	138			54.54	4.7	1.45		26	130	51.70			4.8	1.50		28	119	47.02	4.9			1.65		30	111	43.95	4.9	1.80		35	97	38.31	5.0	2.00		37	91	35.91	5.0	2.20				42	80	31.69			5.0	2.50		47	71	28.10			4.9	2.80		56	60	23.88	4.7	3.30		0.55kW							1.7	2844	834	58	2.75			0.22	21468	6295	87	0.90	GFA159R99	4P		2.2	2183	640	59	3.55				0.26	18430	5404	97	1.05	GFAF159R99	0.50	9481	2780	113	2.00	GF159R99 GFF159R99	1.6	3025	887	17	1.00	GFA79R39 GFAF79R39 GF79R39 GFF79R39	4P	1.8			2660			780	23	1.10			1.8	2660			780	23	1.10		2.1	2299	674	24	1.30		2.3	2077	609	25	1.45		2.7	1756	515	26	1.70		3.1	1541	452	26	1.95		4.0	1177	345	27	2.55		2.9	1637	480	14	0.90	GFA69R39	4P	2.9	1637		480	14		0.90			3.4	1408	413	15	1.05	GFAF69R39		3.8	1252	367	16	1.20	GF69R39	4.3	1102	323	17	1.35	GFF69R39	5.4	876	257	9.2	0.90	GFA99	8P	5.4		876		257	9.2	0.90			6.0	788	231	10	1.05	GFAF99	6.8	699	205	11	1.15	GF99	7.9	597	175	11	1.35	GFF99	2.4	2046	270.68	25	1.45	GFA89	8P	2.4		2092		276.77	33	2.00			2.6	1931	255.37	25		1.50	GFAF89	2.9	1731	228.93	26	1.70	GF89	3.3	1491	197.20	26	1.95	GFF89	3.3	1518	270.68	26	1.90	GFA89	6P			2.6	1916	253.41	34	2.20			3.5	1432	255.37		26	2.00	GFAF89	3.9	1284	228.93	27	2.20	GF89	4.5	1106	197.20	27	2.60	GFF89	4.9	1009	179.97	27	2.90																																																																																																	
11	305	120.79	12	2.70		5.6	596	157.09	8.6	0.95	GFA59	6P	1.2	4526	1327	28	0.95	GFA99R59 GFAF99R59 GF99R59 GFF99R59	4P		6.5	516	136.16	9.2	1.10				GFAF59	7.0	483	127.27	9.4				1.20	GF59	8.0	417	110.01			10	1.40	GFF59	6.7	504	199.70	9.4	1.15	GFA59 GFAF59 GF59 GFF59	4P	1.4	3994	1171	29	1.05					7.2	463			183.60	10	1.30		8.5	396			157.09	10	1.50			9.8	344		136.16	10	1.70		10	321	127.27	10	1.85		12	278	110.01	11	2.10		14	236	93.47	11	2.50				16	211	83.46	11			2.80		8.9	379	150.06	5.8	1.05	GFA49 GFAF49 GF49 GFF49	4P	1.5	3062	898	32	1.40					10	328			130.07	6.4	1.20				13	265	105.09	7.0			1.50		15	225	89.29	7.2	1.75		17	201	79.72	7.4	1.95		20	172	68.09	7.5	2.30		20	165	65.36	7.5	2.40		15	218	86.53	3.8	0.90	GFA39 GFAF39 GF39 GFF39	4P	1.6	2660	780	23			1.10	GFA89R59 GFAF89R59 GF89R59 GFF89R59	4P			16	204					80.65			4.0	0.95						19	178	70.50	4.3	1.10		20	167	66.09	4.4	1.20		23	147	58.32	4.6	1.35		24	138	54.54	4.7			1.45				26	130	51.70	4.8	1.50		28			119	47.02	4.9	1.65		30	111			43.95	4.9	1.80		35	97	38.31	5.0	2.00		37	91	35.91	5.0	2.20		42	80	31.69			5.0	2.50		47			71	28.10	4.9	2.80		56			60	23.88	4.7	3.30		0.55kW							1.7	2844	834	58	2.75			0.22	21468	6295	87	0.90	GFA159R99	4P	2.2	2183	640			59	3.55			0.26	18430	5404	97	1.05	GFAF159R99	0.50	9481	2780	113	2.00	GF159R99 GFF159R99	1.6	3025	887	17	1.00	GFA79R39 GFAF79R39 GF79R39 GFF79R39	4P	1.8	2660			780			23			1.10			1.8	2660	780	23			1.10		2.1	2299	674	24	1.30		2.3	2077	609	25	1.45		2.7	1756	515	26	1.70		3.1	1541	452	26	1.95		4.0	1177	345	27	2.55		2.9	1637	480	14	0.90	GFA69R39	4P	2.9		1637	480		14	0.90				3.4	1408	413	15	1.05	GFAF69R39	3.8	1252	367	16	1.20	GF69R39	4.3	1102	323	17	1.35	GFF69R39	5.4	876	257	9.2	0.90	GFA99	8P	5.4		876		257	9.2	0.90			6.0	788	231	10	1.05	GFAF99	6.8	699	205	11	1.15	GF99	7.9	597	175	11	1.35	GFF99	2.4	2046	270.68	25	1.45	GFA89	8P	2.4		2092		276.77		33	2.00			2.6	1931	255.37	25	1.50	GFAF89	2.9	1731	228.93	26	1.70	GF89	3.3	1491	197.20	26	1.95	GFF89	3.3	1518	270.68	26	1.90	GFA89	6P	2.6				1916	253.41	34	2.20			3.5	1432	255.37	26		2.00	GFAF89	3.9	1284	228.93	27	2.20	GF89	4.5	1106	197.20	27	2.60	GFF89	4.9	1009	179.97	27	2.90																																																																																																		
5.6	596	157.09	8.6	0.95	GFA59	6P	1.2	4526	1327	28	0.95		GFA99R59 GFAF99R59 GF99R59 GFF99R59	4P																																																																																																																																																																																																																																																																																																																																																																																																																																																																																																																																																																																																																																													
6.5	516	136.16	9.2	1.10	GFAF59		7.0	483	127.27	9.4	1.20				GF59	8.0	417				110.01	10	1.40	GFF59	6.7			504	199.70	9.4	1.15	GFA59 GFAF59 GF59 GFF59	4P	1.4	3994	1171	29	1.05			7.2	463	183.60	10	1.30		8.5	396	157.09	10	1.50				9.8	344	136.16	10	1.70				10	321			127.27	10	1.85		12	278			110.01	11	2.10			14	236		93.47	11	2.50		16	211	83.46	11	2.80		8.9	379	150.06	5.8	1.05	GFA49 GFAF49 GF49 GFF49	4P	1.5	3062	898	32	1.40			10	328	130.07	6.4	1.20		13	265	105.09	7.0	1.50		15			225	89.29	7.2	1.75		17			201	79.72	7.4			1.95		20	172	68.09	7.5	2.30		20	165	65.36	7.5	2.40		15	218	86.53	3.8	0.90	GFA39 GFAF39 GF39 GFF39	4P	1.6	2660	780	23	1.10	GFA89R59 GFAF89R59 GF89R59 GFF89R59	4P	16	204	80.65	4.0	0.95		19	178	70.50	4.3	1.10		20	167	66.09			4.4	1.20		23			147					58.32	4.6					1.35		24	138	54.54	4.7			1.45		26	130	51.70	4.8	1.50		28	119	47.02	4.9	1.65		30	111	43.95	4.9	1.80		35	97	38.31	5.0			2.00				37	91	35.91	5.0	2.20		42			80	31.69	5.0	2.50		47	71			28.10	4.9	2.80		56	60	23.88	4.7	3.30		0.55kW							1.7	2844			834	58	2.75			0.22	21468	6295	87	0.90	GFA159R99	4P	2.2	2183	640	59	3.55			0.26	18430	5404	97	1.05	GFAF159R99	0.50	9481	2780	113	2.00	GF159R99 GFF159R99	1.6	3025	887	17	1.00	GFA79R39 GFAF79R39 GF79R39 GFF79R39	4P	1.8		2660	780	23	1.10			1.8	2660	780	23	1.10		2.1	2299	674	24	1.30		2.3	2077	609	25	1.45		2.7	1756			515	26			1.70				3.1	1541	452	26	1.95		4.0	1177	345	27	2.55		2.9	1637	480	14	0.90	GFA69R39	4P	2.9	1637	480	14	0.90			3.4	1408	413	15	1.05	GFAF69R39	3.8	1252	367	16	1.20	GF69R39	4.3	1102	323	17	1.35	GFF69R39	5.4	876	257	9.2	0.90		GFA99		8P	5.4	876	257	9.2	0.90			6.0	788	231	10	1.05	GFAF99	6.8	699	205	11	1.15	GF99	7.9	597	175	11	1.35	GFF99	2.4	2046	270.68	25	1.45	GFA89		8P	2.4	2092	276.77	33	2.00			2.6	1931	255.37	25	1.50	GFAF89	2.9	1731	228.93	26	1.70	GF89	3.3	1491	197.20	26	1.95	GFF89	3.3	1518	270.68	26	1.90	GFA89	6P		2.6		1916	253.41	34	2.20			3.5	1432	255.37	26	2.00	GFAF89	3.9	1284	228.93	27	2.20	GF89	4.5	1106	197.20	27	2.60	GFF89	4.9	1009	179.97	27	2.90																																																																																																																																								
7.0	483	127.27	9.4	1.20	GF59		8.0	417	110.01	10	1.40				GFF59	6.7	504			199.70	9.4	1.15	GFA59 GFAF59 GF59 GFF59	4P	1.4	3994	1171	29	1.05					7.2	463	183.60	10	1.30		8.5	396	157.09	10	1.50		9.8	344	136.16	10	1.70				10	321	127.27	10	1.85				12	278	110.01			11	2.10		14	236	93.47			11	2.50		16		211	83.46		11	2.80		8.9	379	150.06	5.8	1.05	GFA49 GFAF49 GF49 GFF49	4P	1.5	3062	898	32	1.40					10	328	130.07	6.4	1.20		13	265	105.09	7.0	1.50		15	225	89.29	7.2	1.75				17	201	79.72	7.4	1.95				20	172	68.09	7.5	2.30		20	165	65.36	7.5	2.40		15	218	86.53	3.8	0.90	GFA39 GFAF39 GF39 GFF39	4P	1.6	2660	780	23	1.10			GFA89R59 GFAF89R59 GF89R59 GFF89R59	4P	16	204	80.65			4.0	0.95		19	178	70.50	4.3	1.10		20	167	66.09	4.4	1.20				23	147	58.32	4.6			1.35						24	138	54.54			4.7	1.45		26	130	51.70			4.8	1.50		28	119	47.02	4.9	1.65		30	111	43.95	4.9	1.80		35	97	38.31	5.0	2.00		37	91	35.91			5.0	2.20				42	80	31.69	5.0	2.50				47	71	28.10	4.9	2.80		56			60	23.88	4.7	3.30		0.55kW							1.7	2844	834	58	2.75			0.22	21468	6295	87	0.90	GFA159R99	4P	2.2	2183	640	59	3.55				0.26	18430	5404	97	1.05	GFAF159R99	0.50	9481	2780	113	2.00	GF159R99 GFF159R99	1.6	3025	887	17	1.00	GFA79R39 GFAF79R39 GF79R39 GFF79R39	4P	1.8	2660	780	23			1.10			1.8	2660	780	23	1.10		2.1	2299	674	24	1.30		2.3	2077	609	25	1.45		2.7	1756	515	26	1.70		3.1			1541	452			26	1.95		4.0	1177	345	27	2.55		2.9	1637	480	14	0.90	GFA69R39	4P	2.9	1637	480	14	0.90				3.4	1408	413	15	1.05	GFAF69R39	3.8	1252	367	16	1.20	GF69R39	4.3	1102	323	17	1.35	GFF69R39	5.4	876	257	9.2	0.90	GFA99	8P	5.4	876	257	9.2		0.90				6.0	788	231	10	1.05	GFAF99	6.8	699	205	11	1.15	GF99	7.9	597	175	11	1.35	GFF99	2.4	2046	270.68	25	1.45	GFA89	8P	2.4	2092	276.77	33	2.00				2.6	1931	255.37	25	1.50	GFAF89	2.9	1731	228.93	26	1.70	GF89	3.3	1491	197.20	26	1.95	GFF89	3.3	1518	270.68	26	1.90	GFA89	6P	2.6	1916	253.41	34	2.20					3.5	1432	255.37	26	2.00	GFAF89	3.9	1284	228.93	27	2.20	GF89	4.5	1106	197.20	27	2.60	GFF89	4.9	1009	179.97	27	2.90																																																																																																																																														
8.0	417	110.01	10	1.40	GFF59		6.7	504	199.70	9.4	1.15	GFA59 GFAF59 GF59 GFF59			4P	1.4	3994	1171	29	1.05					7.2	463	183.60	10	1.30		8.5			396	157.09	10	1.50		9.8	344	136.16	10	1.70		10	321	127.27	10	1.85		12			278	110.01	11	2.10		14			236	93.47	11			2.50		16	211	83.46	11			2.80		8.9	379	150.06	5.8	1.05	GFA49 GFAF49 GF49 GFF49	4P	1.5	3062	898	32	1.40					10	328	130.07	6.4	1.20				13	265	105.09	7.0	1.50		15	225	89.29	7.2	1.75		17	201	79.72	7.4	1.95		20			172	68.09	7.5	2.30		20	165	65.36	7.5	2.40		15	218	86.53	3.8	0.90	GFA39 GFAF39 GF39 GFF39	4P	1.6	2660	780	23	1.10	GFA89R59 GFAF89R59 GF89R59 GFF89R59	4P			16	204	80.65	4.0	0.95						19	178			70.50	4.3	1.10		20	167	66.09	4.4	1.20		23	147	58.32	4.6	1.35				24	138	54.54			4.7	1.45				26	130	51.70	4.8			1.50		28	119	47.02	4.9			1.65		30	111	43.95	4.9	1.80		35	97	38.31	5.0	2.00		37	91	35.91	5.0	2.20		42	80	31.69	5.0			2.50				47	71	28.10	4.9	2.80		56			60	23.88	4.7	3.30		0.55kW							1.7	2844	834	58	2.75			0.22	21468	6295	87	0.90	GFA159R99	4P	2.2	2183	640	59	3.55			0.26		18430	5404	97	1.05	GFAF159R99	0.50		9481	2780	113	2.00	GF159R99 GFF159R99	1.6	3025	887	17	1.00	GFA79R39 GFAF79R39 GF79R39 GFF79R39	4P	1.8	2660	780	23	1.10					1.8	2660	780			23	1.10		2.1	2299	674	24	1.30		2.3	2077	609	25	1.45		2.7	1756	515	26	1.70		3.1	1541	452	26	1.95		4.0			1177	345	27	2.55		2.9	1637	480	14	0.90	GFA69R39	4P	2.9	1637	480	14	0.90				3.4	1408	413	15	1.05	GFAF69R39		3.8	1252	367	16	1.20	GF69R39	4.3	1102	323	17	1.35	GFF69R39	5.4	876	257	9.2	0.90	GFA99	8P	5.4	876	257	9.2	0.90				6.0	788	231	10	1.05	GFAF99		6.8	699	205	11	1.15	GF99	7.9	597	175	11	1.35	GFF99	2.4	2046	270.68	25	1.45	GFA89	8P	2.4	2092	276.77	33	2.00				2.6	1931	255.37	25	1.50		GFAF89	2.9	1731	228.93	26	1.70	GF89	3.3	1491	197.20	26	1.95	GFF89	3.3	1518	270.68	26	1.90	GFA89	6P	2.6	1916	253.41	34	2.20				3.5	1432	255.37		26	2.00	GFAF89	3.9	1284	228.93	27	2.20	GF89	4.5	1106	197.20	27	2.60	GFF89	4.9	1009	179.97	27	2.90																																																																																																																																																				
6.7	504	199.70	9.4	1.15	GFA59 GFAF59 GF59 GFF59	4P	1.4	3994	1171	29	1.05																																																																																																																																																																																																																																																																																																																																																																																																																																																																																																																																																																																																																																																
7.2	463	183.60	10	1.30				8.5	396	157.09	10		1.50			9.8	344	136.16	10	1.70		10			321	127.27	10	1.85		12	278			110.01	11	2.10		14	236	93.47	11	2.50		16	211	83.46	11	2.80		8.9	379			150.06	5.8	1.05	GFA49 GFAF49 GF49 GFF49	4P	1.5			3062	898	32	1.40			10	328	130.07	6.4	1.20		13	265	105.09	7.0	1.50		15	225			89.29	7.2	1.75		17	201	79.72			7.4	1.95		20	172			68.09	7.5	2.30		20	165	65.36	7.5	2.40		15	218	86.53	3.8	0.90	GFA39 GFAF39 GF39 GFF39	4P	1.6	2660	780	23	1.10	GFA89R59 GFAF89R59 GF89R59 GFF89R59	4P	16	204	80.65	4.0	0.95		19	178	70.50	4.3	1.10		20	167			66.09	4.4	1.20		23					147	58.32	4.6	1.35						24	138	54.54	4.7	1.45		26	130	51.70	4.8	1.50		28	119	47.02	4.9	1.65		30	111			43.95	4.9	1.80				35	97	38.31			5.0	2.00		37			91	35.91	5.0	2.20		42			80	31.69	5.0	2.50		47	71	28.10	4.9	2.80		56	60	23.88	4.7	3.30		0.55kW									1.7	2844			834	58	2.75			0.22	21468	6295	87	0.90	GFA159R99	4P	2.2	2183	640	59	3.55			0.26	18430	5404	97	1.05	GFAF159R99	0.50	9481	2780	113	2.00	GF159R99 GFF159R99	1.6	3025	887		17	1.00	GFA79R39 GFAF79R39 GF79R39 GFF79R39	4P	1.8	2660	780	23	1.10			1.8	2660	780	23	1.10		2.1	2299	674	24	1.30		2.3	2077	609			25	1.45		2.7	1756	515			26	1.70		3.1			1541	452	26	1.95		4.0	1177	345	27	2.55		2.9	1637	480	14	0.90	GFA69R39	4P	2.9	1637	480	14	0.90			3.4	1408	413	15	1.05	GFAF69R39	3.8	1252	367	16	1.20	GF69R39	4.3	1102	323	17		1.35	GFF69R39	5.4	876	257	9.2	0.90		GFA99	8P	5.4	876	257	9.2	0.90			6.0	788	231	10	1.05	GFAF99	6.8	699	205	11	1.15	GF99	7.9	597	175	11		1.35	GFF99	2.4	2046	270.68	25	1.45	GFA89	8P	2.4	2092	276.77	33	2.00			2.6	1931	255.37	25	1.50	GFAF89	2.9	1731	228.93	26	1.70	GF89	3.3	1491	197.20	26	1.95		GFF89	3.3	1518	270.68	26	1.90		GFA89	6P	2.6	1916	253.41	34	2.20			3.5	1432	255.37	26	2.00	GFAF89	3.9	1284	228.93	27	2.20	GF89	4.5	1106	197.20	27	2.60		GFF89	4.9	1009	179.97	27		2.90																																																																																																																																																																													
8.5	396	157.09	10	1.50				9.8	344	136.16	10		1.70			10	321	127.27	10	1.85		12			278	110.01	11	2.10		14	236			93.47	11	2.50		16	211	83.46	11	2.80		8.9	379	150.06	5.8	1.05	GFA49 GFAF49 GF49 GFF49	4P	1.5			3062	898	32			1.40			10	328	130.07	6.4	1.20		13	265	105.09	7.0	1.50		15	225	89.29	7.2	1.75		17	201			79.72	7.4	1.95		20	172	68.09			7.5	2.30		20	165	65.36	7.5	2.40		15	218	86.53	3.8	0.90	GFA39 GFAF39 GF39 GFF39	4P	1.6	2660	780	23	1.10	GFA89R59 GFAF89R59 GF89R59 GFF89R59			4P	16	204	80.65	4.0			0.95		19	178	70.50	4.3	1.10		20	167	66.09	4.4	1.20				23	147	58.32	4.6	1.35						24	138	54.54	4.7			1.45		26	130	51.70	4.8	1.50		28	119	47.02	4.9	1.65		30	111	43.95	4.9	1.80		35	97			38.31	5.0	2.00				37	91	35.91			5.0	2.20		42			80	31.69	5.0	2.50		47			71	28.10	4.9	2.80		56	60	23.88	4.7	3.30		0.55kW							1.7	2844	834	58	2.75					0.22	21468	6295	87	0.90	GFA159R99	4P	2.2	2183	640	59	3.55				0.26	18430	5404	97	1.05	GFAF159R99	0.50	9481	2780	113	2.00	GF159R99 GFF159R99	1.6	3025	887	17	1.00	GFA79R39 GFAF79R39 GF79R39 GFF79R39	4P	1.8	2660	780	23	1.10					1.8	2660	780	23	1.10		2.1	2299	674	24	1.30		2.3	2077	609	25	1.45		2.7	1756	515			26	1.70		3.1	1541	452			26	1.95		4.0	1177	345	27	2.55		2.9	1637	480	14	0.90	GFA69R39	4P	2.9	1637	480	14	0.90				3.4	1408	413	15	1.05	GFAF69R39	3.8	1252	367	16	1.20	GF69R39	4.3	1102	323	17	1.35	GFF69R39	5.4	876	257	9.2	0.90		GFA99	8P	5.4	876	257	9.2	0.90				6.0	788	231	10	1.05	GFAF99	6.8	699	205	11	1.15	GF99	7.9	597	175	11	1.35	GFF99	2.4	2046	270.68	25	1.45	GFA89	8P	2.4	2092	276.77	33	2.00				2.6	1931	255.37	25	1.50	GFAF89	2.9	1731	228.93	26	1.70	GF89	3.3	1491	197.20	26	1.95	GFF89	3.3	1518	270.68	26	1.90	GFA89		6P	2.6	1916	253.41	34	2.20				3.5	1432	255.37	26	2.00	GFAF89	3.9	1284	228.93	27	2.20	GF89	4.5	1106	197.20	27	2.60	GFF89	4.9	1009	179.97	27	2.90																																																																																																																																																																																						
9.8	344	136.16	10	1.70				10	321	127.27	10		1.85			12	278	110.01	11	2.10		14			236	93.47	11	2.50		16	211			83.46	11	2.80		8.9	379	150.06	5.8	1.05	GFA49 GFAF49 GF49 GFF49	4P	1.5	3062	898	32			1.40			10	328	130.07			6.4	1.20		13	265	105.09	7.0	1.50		15	225	89.29	7.2	1.75		17	201	79.72	7.4	1.95		20	172			68.09	7.5	2.30		20	165	65.36	7.5	2.40		15	218	86.53	3.8	0.90	GFA39 GFAF39 GF39 GFF39	4P	1.6	2660	780	23	1.10	GFA89R59 GFAF89R59 GF89R59 GFF89R59			4P	16	204	80.65	4.0					0.95		19	178			70.50	4.3	1.10		20	167	66.09	4.4	1.20		23	147	58.32	4.6			1.35		24	138	54.54	4.7	1.45				26	130	51.70	4.8			1.50		28	119	47.02	4.9	1.65		30	111	43.95	4.9	1.80		35	97	38.31	5.0	2.00		37	91			35.91	5.0	2.20				42	80	31.69			5.0	2.50		47			71	28.10	4.9	2.80		56			60	23.88	4.7	3.30		0.55kW							1.7	2844	834	58	2.75			0.22	21468	6295	87	0.90	GFA159R99	4P	2.2	2183	640	59	3.55				0.26	18430	5404	97	1.05	GFAF159R99	0.50		9481	2780	113	2.00	GF159R99 GFF159R99	1.6	3025	887	17	1.00	GFA79R39 GFAF79R39 GF79R39 GFF79R39	4P	1.8	2660	780	23	1.10					1.8	2660	780	23			1.10		2.1	2299	674	24	1.30		2.3	2077	609	25	1.45		2.7	1756	515	26	1.70		3.1	1541			452	26	1.95		4.0	1177	345	27	2.55		2.9	1637	480	14	0.90	GFA69R39	4P	2.9	1637	480	14	0.90				3.4	1408	413	15	1.05	GFAF69R39		3.8	1252	367	16	1.20	GF69R39	4.3	1102	323	17	1.35	GFF69R39	5.4	876	257	9.2	0.90	GFA99	8P	5.4	876	257	9.2	0.90				6.0	788	231	10	1.05	GFAF99		6.8	699	205	11	1.15	GF99	7.9	597	175	11	1.35	GFF99	2.4	2046	270.68	25	1.45	GFA89	8P	2.4	2092	276.77	33	2.00				2.6	1931	255.37	25	1.50		GFAF89	2.9	1731	228.93	26	1.70	GF89	3.3	1491	197.20	26	1.95	GFF89	3.3	1518	270.68	26	1.90	GFA89	6P	2.6	1916	253.41	34	2.20				3.5	1432	255.37	26	2.00		GFAF89	3.9	1284	228.93	27	2.20	GF89	4.5	1106	197.20	27	2.60	GFF89	4.9	1009	179.97	27	2.90																																																																																																																																																																																											
10	321	127.27	10	1.85				12	278	110.01	11		2.10			14	236	93.47	11	2.50		16			211	83.46	11	2.80		8.9	379			150.06	5.8	1.05	GFA49 GFAF49 GF49 GFF49	4P	1.5	3062	898	32			1.40			10			328	130.07	6.4	1.20		13			265	105.09	7.0	1.50		15	225	89.29	7.2	1.75		17	201	79.72	7.4	1.95		20	172	68.09	7.5	2.30		20	165	65.36	7.5	2.40		15	218	86.53	3.8	0.90	GFA39 GFAF39 GF39 GFF39	4P	1.6	2660	780	23			1.10	GFA89R59 GFAF89R59 GF89R59 GFF89R59	4P	16	204					80.65	4.0	0.95						19	178	70.50	4.3			1.10		20	167	66.09	4.4	1.20		23	147	58.32	4.6	1.35				24	138	54.54	4.7	1.45		26			130	51.70	4.8	1.50				28	119	47.02	4.9	1.65		30	111	43.95	4.9	1.80		35	97	38.31	5.0	2.00		37	91	35.91	5.0			2.20		42	80			31.69	5.0	2.50				47	71	28.10			4.9	2.80		56	60	23.88			4.7	3.30		0.55kW							1.7	2844	834	58	2.75			0.22	21468	6295	87	0.90	GFA159R99	4P	2.2		2183	640	59	3.55			0.26		18430	5404	97	1.05	GFAF159R99	0.50	9481	2780	113	2.00	GF159R99 GFF159R99	1.6	3025	887	17	1.00	GFA79R39 GFAF79R39 GF79R39 GFF79R39	4P			1.8	2660	780	23	1.10					1.8	2660	780	23			1.10		2.1	2299	674	24	1.30		2.3	2077	609	25	1.45		2.7	1756	515	26	1.70		3.1	1541	452	26	1.95		4.0	1177	345	27	2.55		2.9	1637	480	14	0.90	GFA69R39	4P	2.9		1637	480	14	0.90				3.4	1408	413	15	1.05	GFAF69R39	3.8		1252	367	16	1.20	GF69R39	4.3	1102	323	17	1.35	GFF69R39	5.4	876	257	9.2	0.90	GFA99	8P		5.4	876	257	9.2	0.90				6.0	788	231	10	1.05	GFAF99	6.8	699	205	11	1.15	GF99	7.9	597	175	11	1.35	GFF99	2.4	2046	270.68	25	1.45	GFA89	8P		2.4	2092	276.77	33	2.00				2.6	1931	255.37	25	1.50		GFAF89	2.9	1731	228.93	26	1.70	GF89	3.3	1491	197.20	26	1.95	GFF89	3.3	1518	270.68	26	1.90	GFA89		6P	2.6	1916	253.41	34		2.20			3.5	1432	255.37	26		2.00	GFAF89	3.9	1284	228.93	27	2.20	GF89	4.5	1106	197.20	27	2.60	GFF89	4.9	1009	179.97	27	2.90																																																																																																																																																																																										
12	278	110.01	11	2.10				14	236	93.47	11		2.50			16	211	83.46	11	2.80		8.9			379	150.06	5.8	1.05	GFA49 GFAF49 GF49 GFF49	4P	1.5	3062	898	32	1.40					10	328	130.07			6.4	1.20		13			265	105.09	7.0	1.50		15			225	89.29	7.2	1.75		17	201	79.72	7.4	1.95		20	172	68.09	7.5	2.30		20	165	65.36	7.5	2.40		15	218	86.53	3.8	0.90	GFA39 GFAF39 GF39 GFF39	4P	1.6	2660	780	23			1.10	GFA89R59 GFAF89R59 GF89R59 GFF89R59	4P	16			204			80.65	4.0					0.95		19	178					70.50	4.3	1.10		20	167	66.09	4.4	1.20		23	147	58.32	4.6	1.35		24	138	54.54	4.7			1.45		26	130	51.70	4.8	1.50				28	119	47.02	4.9			1.65		30	111	43.95	4.9	1.80		35	97	38.31	5.0	2.00		37	91	35.91	5.0	2.20		42	80			31.69	5.0	2.50				47	71	28.10			4.9	2.80		56			60	23.88	4.7	3.30		0.55kW							1.7	2844	834	58	2.75			0.22	21468	6295	87	0.90	GFA159R99	4P	2.2	2183	640	59	3.55					0.26	18430	5404	97	1.05	GFAF159R99	0.50	9481	2780	113	2.00	GF159R99 GFF159R99	1.6	3025	887	17	1.00	GFA79R39 GFAF79R39 GF79R39 GFF79R39	4P	1.8	2660	780	23					1.10			1.8	2660			780	23	1.10		2.1	2299			674	24	1.30		2.3	2077	609	25	1.45		2.7	1756	515	26	1.70		3.1	1541	452	26	1.95		4.0	1177	345	27	2.55		2.9	1637	480	14	0.90	GFA69R39	4P	2.9	1637	480		14		0.90			3.4	1408	413		15	1.05	GFAF69R39	3.8	1252	367	16	1.20	GF69R39	4.3	1102	323	17	1.35	GFF69R39	5.4	876	257	9.2	0.90	GFA99	8P	5.4	876	257			9.2	0.90			6.0	788	231	10	1.05	GFAF99	6.8	699	205	11	1.15	GF99	7.9	597	175	11	1.35	GFF99	2.4	2046	270.68	25	1.45	GFA89	8P	2.4	2092	276.77			33	2.00			2.6		1931	255.37	25	1.50	GFAF89	2.9	1731	228.93	26	1.70	GF89	3.3	1491	197.20	26	1.95	GFF89	3.3	1518	270.68	26	1.90	GFA89	6P	2.6	1916	253.41			34	2.20				3.5	1432	255.37	26	2.00	GFAF89	3.9		1284	228.93	27	2.20	GF89	4.5	1106	197.20	27	2.60	GFF89	4.9	1009	179.97	27	2.90																																																																																																																																																																																													
14	236	93.47	11	2.50				16	211	83.46	11		2.80			8.9	379	150.06	5.8	1.05	GFA49 GFAF49 GF49 GFF49	4P	1.5	3062	898	32	1.40					10	328	130.07	6.4	1.20				13	265	105.09			7.0	1.50		15			225	89.29	7.2	1.75		17	201	79.72	7.4	1.95		20	172	68.09	7.5	2.30		20	165	65.36	7.5	2.40		15	218	86.53	3.8	0.90	GFA39 GFAF39 GF39 GFF39	4P	1.6	2660	780	23	1.10	GFA89R59 GFAF89R59 GF89R59 GFF89R59			4P	16	204	80.65			4.0			0.95						19	178					70.50	4.3	1.10		20			167	66.09	4.4	1.20		23	147	58.32	4.6	1.35		24	138	54.54	4.7	1.45		26	130	51.70	4.8			1.50		28	119	47.02	4.9	1.65				30	111	43.95	4.9			1.80		35	97	38.31	5.0	2.00		37	91	35.91	5.0	2.20		42	80	31.69	5.0	2.50		47	71			28.10	4.9	2.80				56	60	23.88			4.7	3.30		0.55kW							1.7	2844	834	58	2.75			0.22	21468	6295	87	0.90	GFA159R99	4P	2.2	2183	640	59	3.55				0.26	18430	5404	97	1.05		GFAF159R99	0.50	9481	2780	113	2.00	GF159R99 GFF159R99	1.6	3025	887	17	1.00	GFA79R39 GFAF79R39 GF79R39 GFF79R39	4P	1.8	2660	780	23	1.10					1.8	2660	780					23	1.10		2.1	2299			674	24	1.30		2.3	2077	609	25	1.45		2.7	1756	515	26	1.70		3.1	1541	452	26	1.95		4.0	1177	345	27	2.55		2.9	1637	480	14	0.90	GFA69R39	4P	2.9	1637	480	14	0.90				3.4	1408	413		15		1.05	GFAF69R39	3.8	1252	367	16	1.20	GF69R39	4.3	1102	323	17	1.35	GFF69R39	5.4	876	257	9.2	0.90	GFA99	8P	5.4	876	257	9.2	0.90				6.0	788	231		10	1.05	GFAF99	6.8	699	205	11	1.15	GF99	7.9	597	175	11	1.35	GFF99	2.4	2046	270.68	25	1.45	GFA89	8P	2.4	2092	276.77	33	2.00				2.6	1931	255.37			25	1.50	GFAF89	2.9	1731	228.93	26	1.70	GF89	3.3	1491	197.20	26	1.95	GFF89	3.3	1518	270.68	26	1.90	GFA89	6P	2.6	1916	253.41	34	2.20				3.5	1432	255.37			26	2.00	GFAF89	3.9		1284	228.93	27	2.20	GF89	4.5	1106	197.20	27	2.60	GFF89	4.9	1009	179.97	27	2.90																																																																																																																																																																																																					
16	211	83.46	11	2.80				8.9	379	150.06	5.8	1.05	GFA49 GFAF49 GF49 GFF49	4P	1.5	3062	898	32	1.40					10	328	130.07	6.4	1.20				13	265	105.09	7.0	1.50				15	225	89.29			7.2	1.75		17	201	79.72	7.4	1.95		20	172	68.09	7.5	2.30		20	165	65.36	7.5	2.40		15	218	86.53	3.8	0.90	GFA39 GFAF39 GF39 GFF39	4P	1.6	2660	780	23	1.10	GFA89R59 GFAF89R59 GF89R59 GFF89R59			4P	16	204	80.65	4.0					0.95		19			178			70.50			4.3			1.10		20			167	66.09	4.4	1.20		23			147	58.32	4.6	1.35		24	138	54.54	4.7	1.45		26	130	51.70	4.8	1.50		28	119	47.02	4.9			1.65		30	111	43.95	4.9	1.80				35	97	38.31	5.0			2.00		37	91	35.91	5.0	2.20		42	80	31.69	5.0	2.50		47	71	28.10	4.9	2.80		56	60			23.88	4.7	3.30				0.55kW							1.7	2844	834	58	2.75			0.22	21468	6295	87	0.90	GFA159R99	4P	2.2	2183	640	59	3.55				0.26	18430	5404	97	1.05	GFAF159R99	0.50		9481	2780	113	2.00	GF159R99 GFF159R99	1.6	3025	887	17	1.00	GFA79R39 GFAF79R39 GF79R39 GFF79R39	4P	1.8	2660	780	23	1.10					1.8	2660	780	23	1.10				2.1	2299	674					24	1.30		2.3	2077	609	25	1.45		2.7	1756	515	26	1.70		3.1	1541	452	26	1.95		4.0	1177	345	27	2.55		2.9	1637	480	14	0.90	GFA69R39	4P	2.9	1637	480	14	0.90				3.4	1408	413	15	1.05	GFAF69R39	3.8		1252	367	16		1.20	GF69R39	4.3	1102	323	17	1.35	GFF69R39	5.4	876	257	9.2	0.90	GFA99	8P	5.4	876	257	9.2	0.90				6.0	788	231	10	1.05	GFAF99	6.8		699	205	11	1.15	GF99	7.9	597	175	11	1.35	GFF99	2.4	2046	270.68	25	1.45	GFA89	8P	2.4	2092	276.77	33	2.00				2.6	1931	255.37	25	1.50	GFAF89	2.9		1731	228.93	26		1.70	GF89	3.3	1491	197.20	26	1.95	GFF89	3.3	1518	270.68	26	1.90	GFA89	6P	2.6	1916	253.41	34	2.20				3.5	1432	255.37	26	2.00	GFAF89	3.9		1284	228.93	27			2.20	GF89	4.5	1106	197.20	27	2.60	GFF89	4.9	1009	179.97	27	2.90																																																																																																																																																																																																													
8.9	379	150.06	5.8	1.05	GFA49 GFAF49 GF49 GFF49	4P	1.5	3062	898	32	1.40																																																																																																																																																																																																																																																																																																																																																																																																																																																																																																																																																																																																																																																
10	328	130.07	6.4	1.20				13	265	105.09	7.0	1.50				15	225	89.29	7.2	1.75				17	201	79.72	7.4	1.95				20	172	68.09	7.5	2.30		20	165	65.36	7.5	2.40		15	218	86.53	3.8	0.90	GFA39 GFAF39 GF39 GFF39	4P	1.6	2660	780	23	1.10	GFA89R59 GFAF89R59 GF89R59 GFF89R59	4P	16	204	80.65	4.0	0.95		19	178	70.50	4.3	1.10		20			167	66.09	4.4	1.20						23	147	58.32	4.6					1.35		24			138	54.54	4.7	1.45				26	130	51.70	4.8	1.50				28	119	47.02	4.9	1.65				30	111	43.95	4.9	1.80		35	97	38.31	5.0	2.00		37	91	35.91	5.0	2.20		42	80			31.69	5.0	2.50		47	71	28.10			4.9	2.80		56	60			23.88	4.7	3.30		0.55kW							1.7	2844	834	58	2.75			0.22	21468	6295	87	0.90	GFA159R99	4P	2.2	2183	640	59	3.55			0.26	18430	5404	97	1.05	GFAF159R99	0.50	9481	2780	113	2.00	GF159R99 GFF159R99	1.6	3025	887	17	1.00	GFA79R39 GFAF79R39 GF79R39 GFF79R39		4P	1.8	2660	780	23	1.10			1.8	2660	780	23	1.10		2.1	2299	674	24	1.30		2.3	2077	609	25	1.45				2.7	1756	515	26	1.70				3.1	1541	452	26	1.95				4.0	1177	345	27	2.55		2.9	1637	480	14	0.90	GFA69R39	4P	2.9	1637	480	14	0.90			3.4	1408	413	15	1.05	GFAF69R39	3.8	1252	367	16	1.20	GF69R39	4.3	1102	323	17	1.35	GFF69R39	5.4	876	257		9.2	0.90	GFA99	8P	5.4	876	257		9.2	0.90			6.0	788	231	10	1.05	GFAF99	6.8	699	205	11	1.15	GF99	7.9	597	175	11	1.35	GFF99	2.4	2046	270.68	25		1.45	GFA89	8P	2.4	2092	276.77	33	2.00			2.6	1931	255.37	25	1.50	GFAF89	2.9	1731	228.93	26	1.70	GF89	3.3	1491	197.20	26	1.95	GFF89	3.3	1518	270.68	26	1.90		GFA89	6P	2.6	1916	253.41	34	2.20				3.5	1432	255.37	26	2.00	GFAF89	3.9	1284	228.93	27	2.20	GF89	4.5	1106	197.20	27	2.60	GFF89	4.9	1009	179.97	27	2.90																																																																																																																																																																																																																																																	
13	265	105.09	7.0	1.50				15	225	89.29	7.2	1.75				17	201	79.72	7.4	1.95				20	172	68.09	7.5	2.30		20	165	65.36	7.5	2.40		15	218	86.53	3.8	0.90	GFA39 GFAF39 GF39 GFF39	4P	1.6	2660	780	23	1.10	GFA89R59 GFAF89R59 GF89R59 GFF89R59			4P	16	204	80.65	4.0			0.95		19	178	70.50	4.3	1.10		20	167	66.09	4.4	1.20				23	147	58.32	4.6					1.35		24	138	54.54			4.7	1.45		26			130	51.70	4.8	1.50				28	119	47.02	4.9	1.65				30	111	43.95	4.9	1.80				35	97	38.31	5.0	2.00		37	91	35.91	5.0	2.20		42	80	31.69	5.0	2.50		47	71			28.10	4.9	2.80		56	60	23.88			4.7	3.30		0.55kW							1.7	2844	834	58	2.75			0.22	21468	6295	87	0.90	GFA159R99	4P	2.2	2183	640	59	3.55				0.26	18430	5404	97	1.05	GFAF159R99	0.50	9481	2780	113	2.00	GF159R99 GFF159R99	1.6	3025	887	17	1.00	GFA79R39 GFAF79R39 GF79R39 GFF79R39	4P	1.8	2660	780	23	1.10					1.8	2660	780	23	1.10		2.1	2299	674	24	1.30		2.3	2077	609	25	1.45		2.7	1756	515	26	1.70				3.1	1541	452	26	1.95				4.0	1177	345	27	2.55		2.9	1637	480	14	0.90	GFA69R39	4P	2.9	1637	480	14	0.90				3.4	1408	413	15	1.05	GFAF69R39	3.8	1252	367	16	1.20	GF69R39	4.3	1102	323	17	1.35	GFF69R39	5.4	876	257	9.2	0.90	GFA99	8P	5.4	876	257		9.2	0.90				6.0	788	231	10	1.05	GFAF99	6.8	699	205	11	1.15	GF99	7.9	597	175	11	1.35	GFF99	2.4	2046	270.68	25	1.45	GFA89	8P	2.4	2092	276.77	33	2.00				2.6	1931	255.37	25	1.50	GFAF89	2.9	1731	228.93	26	1.70	GF89	3.3	1491	197.20	26	1.95	GFF89	3.3	1518	270.68	26	1.90	GFA89	6P	2.6	1916	253.41	34	2.20					3.5	1432	255.37	26	2.00	GFAF89	3.9	1284	228.93	27	2.20	GF89	4.5	1106	197.20	27	2.60	GFF89	4.9	1009	179.97	27	2.90																																																																																																																																																																																																																																																								
15	225	89.29	7.2	1.75				17	201	79.72	7.4	1.95				20	172	68.09	7.5	2.30		20	165	65.36	7.5	2.40		15	218	86.53	3.8	0.90	GFA39 GFAF39 GF39 GFF39	4P	1.6	2660	780	23	1.10	GFA89R59 GFAF89R59 GF89R59 GFF89R59			4P	16	204	80.65	4.0					0.95		19	178			70.50	4.3	1.10		20	167	66.09	4.4	1.20		23	147	58.32			4.6	1.35		24	138	54.54			4.7	1.45		26	130	51.70			4.8	1.50		28			119	47.02	4.9	1.65				30	111	43.95	4.9	1.80				35	97	38.31	5.0	2.00				37	91	35.91	5.0	2.20		42	80	31.69	5.0	2.50		47	71	28.10	4.9	2.80		56	60			23.88	4.7	3.30		0.55kW							1.7	2844	834	58	2.75			0.22	21468	6295	87	0.90	GFA159R99	4P	2.2	2183	640	59	3.55				0.26	18430	5404	97	1.05	GFAF159R99	0.50		9481	2780	113	2.00	GF159R99 GFF159R99	1.6	3025	887	17	1.00	GFA79R39 GFAF79R39 GF79R39 GFF79R39	4P	1.8	2660	780	23	1.10					1.8	2660	780		23		1.10		2.1	2299	674	24	1.30		2.3	2077	609	25	1.45		2.7	1756	515	26	1.70		3.1	1541	452	26	1.95				4.0	1177	345	27	2.55		2.9	1637	480	14	0.90	GFA69R39	4P	2.9	1637	480	14	0.90				3.4	1408	413	15	1.05	GFAF69R39		3.8	1252	367	16	1.20	GF69R39	4.3	1102	323	17	1.35	GFF69R39	5.4	876	257	9.2	0.90	GFA99	8P	5.4	876	257	9.2	0.90				6.0	788	231	10	1.05		GFAF99	6.8	699	205	11	1.15	GF99	7.9	597	175	11	1.35	GFF99	2.4	2046	270.68	25	1.45	GFA89	8P	2.4	2092	276.77	33	2.00				2.6	1931	255.37	25	1.50		GFAF89	2.9	1731	228.93	26	1.70	GF89	3.3	1491	197.20	26	1.95	GFF89	3.3	1518	270.68	26	1.90	GFA89	6P	2.6	1916	253.41	34		2.20			3.5	1432	255.37	26		2.00	GFAF89	3.9	1284	228.93	27	2.20	GF89	4.5	1106	197.20	27	2.60	GFF89	4.9	1009	179.97	27	2.90																																																																																																																																																																																																																																																													
17	201	79.72	7.4	1.95				20	172	68.09	7.5	2.30		20	165	65.36	7.5	2.40		15	218	86.53	3.8	0.90	GFA39 GFAF39 GF39 GFF39	4P	1.6	2660	780	23	1.10	GFA89R59 GFAF89R59 GF89R59 GFF89R59			4P	16	204	80.65	4.0					0.95		19	178					70.50	4.3	1.10				20	167	66.09	4.4	1.20		23	147	58.32	4.6	1.35		24			138	54.54	4.7	1.45		26			130	51.70	4.8	1.50		28			119	47.02	4.9	1.65				30	111	43.95			4.9	1.80		35	97	38.31			5.0	2.00		37	91	35.91			5.0	2.20		42	80	31.69	5.0	2.50		47	71	28.10	4.9	2.80		56	60	23.88	4.7	3.30				0.55kW							1.7	2844	834	58	2.75			0.22	21468	6295	87	0.90	GFA159R99	4P	2.2	2183	640		59	3.55			0.26	18430	5404		97	1.05	GFAF159R99	0.50	9481	2780	113	2.00	GF159R99 GFF159R99	1.6	3025	887	17	1.00	GFA79R39 GFAF79R39 GF79R39 GFF79R39	4P	1.8	2660			780	23	1.10					1.8	2660	780	23	1.10				2.1	2299	674	24	1.30		2.3	2077	609	25	1.45		2.7	1756	515	26	1.70		3.1	1541	452	26	1.95		4.0	1177	345	27	2.55		2.9	1637	480	14	0.90	GFA69R39	4P	2.9	1637	480		14	0.90			3.4	1408		413	15	1.05	GFAF69R39	3.8	1252	367		16	1.20	GF69R39	4.3	1102	323	17	1.35	GFF69R39	5.4	876	257	9.2	0.90	GFA99	8P	5.4	876		257	9.2	0.90				6.0	788	231	10	1.05	GFAF99	6.8	699	205	11	1.15	GF99	7.9	597	175	11	1.35	GFF99	2.4	2046	270.68	25	1.45	GFA89	8P	2.4	2092		276.77	33	2.00				2.6	1931	255.37	25	1.50	GFAF89	2.9		1731	228.93	26	1.70	GF89	3.3	1491	197.20	26	1.95	GFF89	3.3	1518	270.68	26	1.90	GFA89	6P	2.6		1916	253.41	34	2.20				3.5	1432	255.37	26	2.00		GFAF89	3.9	1284	228.93	27	2.20	GF89	4.5	1106	197.20	27	2.60	GFF89	4.9	1009	179.97	27	2.90																																																																																																																																																																																																																																																														
20	172	68.09	7.5	2.30		20	165	65.36	7.5	2.40		15	218	86.53	3.8	0.90	GFA39 GFAF39 GF39 GFF39	4P	1.6	2660	780	23	1.10	GFA89R59 GFAF89R59 GF89R59 GFF89R59			4P	16	204	80.65	4.0					0.95		19	178					70.50	4.3	1.10						20	167	66.09	4.4	1.20		23	147	58.32	4.6	1.35		24	138	54.54	4.7	1.45		26			130	51.70	4.8	1.50		28			119	47.02	4.9	1.65		30			111	43.95	4.9	1.80				35	97	38.31			5.0	2.00		37	91	35.91			5.0	2.20		42	80	31.69			5.0	2.50		47	71	28.10	4.9	2.80		56	60	23.88	4.7	3.30		0.55kW							1.7	2844	834	58	2.75			0.22	21468	6295	87	0.90	GFA159R99	4P	2.2	2183	640	59	3.55				0.26	18430	5404		97	1.05	GFAF159R99	0.50	9481	2780	113	2.00	GF159R99 GFF159R99	1.6	3025	887	17	1.00	GFA79R39 GFAF79R39 GF79R39 GFF79R39	4P	1.8	2660	780	23	1.10					1.8			2660	780	23	1.10				2.1	2299	674	24	1.30				2.3	2077	609	25	1.45		2.7	1756	515	26	1.70		3.1	1541	452	26	1.95		4.0	1177	345	27	2.55		2.9	1637	480	14	0.90	GFA69R39	4P	2.9	1637	480	14	0.90				3.4		1408	413	15	1.05	GFAF69R39	3.8		1252	367	16	1.20	GF69R39	4.3	1102	323	17	1.35	GFF69R39	5.4	876	257	9.2	0.90	GFA99	8P	5.4	876	257	9.2	0.90					6.0	788	231	10	1.05	GFAF99	6.8	699	205	11	1.15	GF99	7.9	597	175	11	1.35	GFF99	2.4	2046	270.68	25	1.45	GFA89	8P	2.4	2092	276.77	33	2.00					2.6	1931	255.37	25	1.50		GFAF89	2.9	1731	228.93	26	1.70	GF89	3.3	1491	197.20	26	1.95	GFF89	3.3	1518	270.68	26	1.90	GFA89	6P	2.6	1916	253.41	34	2.20					3.5	1432	255.37		26	2.00	GFAF89	3.9	1284	228.93	27		2.20	GF89	4.5	1106	197.20	27	2.60	GFF89	4.9	1009	179.97	27	2.90																																																																																																																																																																																																																																																																			
20	165	65.36	7.5	2.40		15	218	86.53	3.8	0.90	GFA39 GFAF39 GF39 GFF39	4P	1.6	2660	780	23			1.10	GFA89R59 GFAF89R59 GF89R59 GFF89R59	4P	16	204					80.65	4.0	0.95						19	178	70.50	4.3					1.10		20	167	66.09			4.4	1.20		23	147	58.32	4.6	1.35		24	138	54.54	4.7	1.45		26	130	51.70	4.8	1.50				28	119	47.02	4.9	1.65				30	111	43.95	4.9	1.80				35	97	38.31			5.0	2.00		37			91	35.91	5.0	2.20		42			80	31.69	5.0	2.50		47			71	28.10	4.9	2.80		56	60	23.88	4.7	3.30		0.55kW							1.7	2844	834	58	2.75			0.22	21468	6295	87	0.90	GFA159R99	4P	2.2	2183	640		59	3.55			0.26	18430	5404		97	1.05	GFAF159R99	0.50	9481	2780	113	2.00	GF159R99 GFF159R99	1.6	3025	887	17	1.00	GFA79R39 GFAF79R39 GF79R39 GFF79R39	4P	1.8	2660			780	23	1.10			1.8			2660	780			23	1.10		2.1	2299			674	24	1.30		2.3	2077	609	25	1.45		2.7	1756	515	26	1.70		3.1	1541	452	26	1.95		4.0	1177	345	27	2.55		2.9	1637	480	14	0.90	GFA69R39	4P	2.9	1637	480		14	0.90			3.4		1408	413	15		1.05	GFAF69R39	3.8	1252	367	16	1.20	GF69R39	4.3	1102	323	17	1.35	GFF69R39	5.4	876	257	9.2	0.90	GFA99	8P	5.4	876	257		9.2	0.90			6.0		788	231	10	1.05	GFAF99	6.8	699	205	11	1.15	GF99	7.9	597	175	11	1.35	GFF99	2.4	2046	270.68	25	1.45	GFA89	8P	2.4	2092	276.77		33	2.00			2.6		1931	255.37		25	1.50	GFAF89	2.9	1731	228.93	26	1.70	GF89	3.3	1491	197.20	26	1.95	GFF89	3.3	1518	270.68	26	1.90	GFA89	6P	2.6	1916	253.41		34	2.20			3.5		1432		255.37	26	2.00	GFAF89		3.9	1284	228.93	27	2.20	GF89	4.5	1106	197.20	27	2.60	GFF89	4.9	1009	179.97	27	2.90																																																																																																																																																																																																																																																																							
15	218	86.53	3.8	0.90	GFA39 GFAF39 GF39 GFF39	4P	1.6	2660	780	23			1.10	GFA89R59 GFAF89R59 GF89R59 GFF89R59	4P																																																																																																																																																																																																																																																																																																																																																																																																																																																																																																																																																																																																																																												
16	204	80.65	4.0	0.95				19	178	70.50			4.3			1.10						20	167					66.09	4.4	1.20		23			147	58.32	4.6	1.35		24			138	54.54	4.7	1.45		26			130	51.70	4.8	1.50		28	119	47.02	4.9	1.65		30	111	43.95	4.9	1.80		35	97	38.31			5.0	2.00		37	91	35.91			5.0	2.20		42	80	31.69			5.0	2.50		47			71	28.10	4.9	2.80				56	60	23.88	4.7	3.30		0.55kW							1.7	2844	834	58	2.75			0.22	21468	6295	87	0.90	GFA159R99	4P	2.2	2183	640	59	3.55			0.26	18430	5404	97	1.05	GFAF159R99	0.50	9481	2780	113	2.00	GF159R99 GFF159R99		1.6	3025	887	17	1.00	GFA79R39 GFAF79R39 GF79R39 GFF79R39	4P	1.8	2660	780	23	1.10			1.8	2660	780	23	1.10		2.1	2299	674	24	1.30				2.3	2077			609	25	1.45		2.7	1756			515	26	1.70		3.1	1541	452	26	1.95		4.0	1177	345	27	2.55		2.9	1637	480	14	0.90	GFA69R39	4P	2.9	1637	480	14	0.90			3.4	1408	413	15	1.05	GFAF69R39	3.8	1252	367	16	1.20	GF69R39	4.3	1102	323		17	1.35	GFF69R39		5.4	876	257	9.2	0.90	GFA99	8P	5.4	876	257	9.2	0.90			6.0	788	231	10	1.05	GFAF99	6.8	699	205	11	1.15	GF99	7.9	597	175	11		1.35	GFF99	2.4	2046	270.68	25	1.45	GFA89	8P	2.4	2092	276.77	33	2.00			2.6	1931	255.37	25	1.50	GFAF89	2.9	1731	228.93	26	1.70	GF89	3.3	1491	197.20	26	1.95		GFF89	3.3	1518		270.68	26	1.90	GFA89	6P	2.6	1916	253.41	34	2.20			3.5	1432	255.37	26	2.00	GFAF89	3.9	1284	228.93	27	2.20	GF89	4.5	1106	197.20	27	2.60	GFF89		4.9	1009	179.97		27	2.90																																																																																																																																																																																																																																																																																																			
19	178	70.50	4.3	1.10				20	167	66.09			4.4			1.20						23	147	58.32			4.6	1.35		24	138	54.54			4.7	1.45		26	130	51.70			4.8	1.50		28	119	47.02			4.9	1.65		30	111	43.95	4.9	1.80		35	97	38.31	5.0	2.00		37	91	35.91	5.0	2.20				42	80	31.69	5.0	2.50				47	71	28.10	4.9	2.80				56	60	23.88			4.7	3.30		0.55kW							1.7	2844	834	58	2.75			0.22	21468	6295	87	0.90	GFA159R99	4P	2.2	2183	640	59	3.55			0.26	18430		5404	97	1.05	GFAF159R99	0.50	9481	2780	113	2.00	GF159R99 GFF159R99	1.6	3025	887	17	1.00	GFA79R39 GFAF79R39 GF79R39 GFF79R39	4P	1.8	2660	780	23	1.10			1.8			2660	780	23	1.10		2.1	2299	674	24	1.30		2.3	2077	609	25	1.45		2.7	1756			515	26			1.70		3.1	1541	452	26	1.95		4.0	1177	345	27	2.55		2.9	1637	480	14	0.90	GFA69R39	4P	2.9	1637	480	14	0.90			3.4	1408		413	15	1.05	GFAF69R39	3.8	1252	367	16	1.20	GF69R39	4.3	1102	323	17	1.35	GFF69R39	5.4	876	257	9.2	0.90	GFA99		8P	5.4	876	257	9.2	0.90			6.0	788		231	10	1.05	GFAF99	6.8	699	205	11	1.15	GF99	7.9	597	175	11	1.35	GFF99	2.4	2046	270.68	25	1.45	GFA89	8P	2.4	2092	276.77	33	2.00			2.6	1931		255.37	25	1.50	GFAF89	2.9	1731	228.93	26	1.70	GF89	3.3	1491	197.20	26	1.95	GFF89	3.3	1518	270.68	26	1.90	GFA89	6P	2.6		1916	253.41	34	2.20			3.5	1432		255.37	26	2.00	GFAF89	3.9	1284	228.93	27	2.20	GF89	4.5	1106	197.20	27	2.60	GFF89	4.9	1009	179.97	27	2.90																																																																																																																																																																																																																																																																																																														
20	167	66.09	4.4	1.20				23	147	58.32			4.6			1.35				24	138	54.54	4.7	1.45				26	130	51.70	4.8	1.50				28	119	47.02	4.9	1.65				30	111	43.95	4.9	1.80				35	97	38.31	5.0	2.00		37	91	35.91	5.0	2.20		42	80	31.69	5.0	2.50		47			71	28.10	4.9	2.80		56			60	23.88	4.7	3.30		0.55kW							1.7	2844	834	58	2.75			0.22	21468	6295	87	0.90	GFA159R99	4P	2.2	2183	640	59	3.55			0.26	18430	5404	97		1.05	GFAF159R99	0.50	9481	2780	113	2.00	GF159R99 GFF159R99	1.6		3025	887	17	1.00	GFA79R39 GFAF79R39 GF79R39 GFF79R39	4P	1.8	2660	780	23	1.10			1.8	2660			780	23	1.10		2.1	2299	674	24			1.30		2.3	2077	609	25	1.45		2.7	1756	515	26	1.70		3.1	1541	452	26	1.95				4.0	1177	345	27	2.55		2.9	1637	480	14	0.90	GFA69R39	4P	2.9	1637	480	14	0.90			3.4	1408	413		15	1.05	GFAF69R39	3.8	1252	367	16	1.20	GF69R39		4.3	1102	323	17	1.35	GFF69R39	5.4	876	257	9.2	0.90	GFA99	8P	5.4	876	257	9.2	0.90			6.0	788	231		10	1.05	GFAF99	6.8	699	205	11	1.15	GF99		7.9	597	175	11	1.35	GFF99	2.4	2046	270.68	25	1.45	GFA89	8P	2.4	2092	276.77	33	2.00			2.6	1931		255.37	25	1.50	GFAF89	2.9	1731	228.93	26	1.70		GF89	3.3	1491	197.20	26	1.95	GFF89	3.3	1518	270.68	26	1.90	GFA89	6P	2.6	1916	253.41	34	2.20			3.5		1432	255.37	26	2.00	GFAF89	3.9	1284	228.93	27	2.20		GF89	4.5	1106	197.20	27	2.60	GFF89	4.9	1009	179.97	27	2.90																																																																																																																																																																																																																																																																																																																							
23	147	58.32	4.6	1.35				24	138	54.54			4.7	1.45		26			130	51.70	4.8	1.50		28			119	47.02	4.9	1.65		30			111	43.95	4.9	1.80		35			97	38.31	5.0	2.00		37			91	35.91	5.0	2.20		42	80	31.69	5.0	2.50		47	71	28.10	4.9	2.80		56	60	23.88			4.7	3.30		0.55kW							1.7	2844	834	58	2.75			0.22	21468	6295	87	0.90	GFA159R99	4P	2.2	2183	640	59	3.55			0.26	18430		5404	97	1.05	GFAF159R99	0.50	9481	2780	113	2.00	GF159R99 GFF159R99	1.6		3025	887	17	1.00	GFA79R39 GFAF79R39 GF79R39 GFF79R39	4P	1.8	2660	780	23	1.10			1.8			2660	780	23	1.10		2.1	2299	674	24			1.30		2.3	2077	609	25	1.45				2.7	1756	515	26	1.70		3.1	1541	452	26	1.95		4.0	1177	345	27	2.55		2.9	1637	480	14	0.90	GFA69R39	4P	2.9	1637	480	14	0.90			3.4	1408		413	15	1.05	GFAF69R39	3.8	1252	367	16	1.20	GF69R39		4.3	1102	323	17	1.35	GFF69R39	5.4	876	257		9.2	0.90	GFA99	8P	5.4	876	257	9.2	0.90			6.0		788	231	10	1.05	GFAF99	6.8	699	205	11	1.15		GF99	7.9	597	175	11	1.35	GFF99	2.4	2046	270.68	25	1.45	GFA89	8P	2.4	2092	276.77	33	2.00			2.6		1931	255.37	25	1.50	GFAF89	2.9	1731	228.93	26		1.70	GF89	3.3	1491	197.20	26	1.95	GFF89	3.3		1518	270.68	26	1.90	GFA89	6P	2.6	1916	253.41	34	2.20				3.5	1432	255.37	26	2.00	GFAF89	3.9	1284		228.93	27	2.20	GF89	4.5	1106	197.20	27	2.60	GFF89		4.9	1009	179.97	27	2.90																																																																																																																																																																																																																																																																																																																														
24	138	54.54	4.7	1.45				26	130	51.70			4.8	1.50		28			119	47.02	4.9	1.65		30			111	43.95	4.9	1.80		35			97	38.31	5.0	2.00		37			91	35.91	5.0	2.20		42			80	31.69	5.0	2.50		47	71	28.10	4.9	2.80		56	60	23.88	4.7	3.30		0.55kW							1.7	2844	834	58	2.75			0.22	21468	6295	87	0.90	GFA159R99	4P	2.2	2183	640	59	3.55				0.26	18430	5404	97	1.05	GFAF159R99	0.50	9481	2780		113	2.00	GF159R99 GFF159R99	1.6	3025	887	17	1.00	GFA79R39 GFAF79R39 GF79R39 GFF79R39	4P	1.8	2660	780	23	1.10					1.8	2660	780	23	1.10		2.1			2299	674	24	1.30		2.3	2077	609	25			1.45		2.7	1756	515	26	1.70				3.1	1541	452	26	1.95		4.0	1177	345	27	2.55		2.9	1637	480	14	0.90	GFA69R39	4P	2.9	1637	480	14	0.90				3.4	1408	413	15	1.05	GFAF69R39	3.8		1252	367	16	1.20	GF69R39	4.3	1102	323	17	1.35		GFF69R39	5.4	876	257	9.2	0.90	GFA99	8P	5.4	876	257	9.2	0.90				6.0	788	231	10	1.05	GFAF99		6.8	699	205	11	1.15	GF99	7.9	597	175	11	1.35	GFF99	2.4	2046	270.68	25	1.45	GFA89	8P	2.4	2092	276.77	33	2.00				2.6	1931	255.37	25	1.50	GFAF89		2.9	1731	228.93	26	1.70	GF89	3.3	1491	197.20		26	1.95	GFF89	3.3	1518	270.68	26	1.90	GFA89	6P	2.6	1916	253.41	34	2.20				3.5	1432	255.37	26	2.00		GFAF89	3.9	1284	228.93	27	2.20	GF89	4.5		1106	197.20	27	2.60	GFF89	4.9	1009	179.97	27	2.90																																																																																																																																																																																																																																																																																																																																				
26	130	51.70	4.8	1.50				28	119	47.02			4.9	1.65		30			111	43.95	4.9	1.80		35			97	38.31	5.0	2.00		37			91	35.91	5.0	2.20		42			80	31.69	5.0	2.50		47			71	28.10	4.9	2.80		56	60	23.88	4.7	3.30		0.55kW							1.7	2844	834	58	2.75			0.22	21468	6295	87	0.90	GFA159R99	4P	2.2	2183	640	59	3.55				0.26	18430	5404	97	1.05		GFAF159R99	0.50	9481	2780	113	2.00	GF159R99 GFF159R99	1.6	3025	887	17	1.00	GFA79R39 GFAF79R39 GF79R39 GFF79R39	4P	1.8	2660	780	23			1.10			1.8	2660	780			23	1.10		2.1	2299	674	24	1.30				2.3	2077	609	25	1.45		2.7	1756			515	26	1.70		3.1	1541	452	26	1.95		4.0	1177	345	27	2.55		2.9	1637	480	14	0.90	GFA69R39	4P	2.9	1637	480	14	0.90				3.4	1408	413		15	1.05	GFAF69R39	3.8	1252	367	16	1.20	GF69R39		4.3	1102	323	17	1.35	GFF69R39	5.4	876	257	9.2	0.90	GFA99	8P	5.4	876	257	9.2	0.90				6.0	788	231		10	1.05	GFAF99	6.8	699	205	11	1.15	GF99	7.9	597	175	11	1.35	GFF99	2.4	2046	270.68	25	1.45	GFA89	8P	2.4	2092	276.77	33	2.00				2.6	1931	255.37		25	1.50	GFAF89	2.9	1731	228.93	26	1.70		GF89	3.3	1491	197.20	26	1.95	GFF89	3.3	1518	270.68	26	1.90	GFA89	6P	2.6	1916	253.41	34	2.20				3.5	1432	255.37		26	2.00	GFAF89	3.9	1284	228.93	27		2.20	GF89	4.5	1106	197.20	27	2.60	GFF89		4.9	1009	179.97	27	2.90																																																																																																																																																																																																																																																																																																																																									
28	119	47.02	4.9	1.65				30	111	43.95			4.9	1.80		35			97	38.31	5.0	2.00		37			91	35.91	5.0	2.20		42			80	31.69	5.0	2.50		47			71	28.10	4.9	2.80		56			60	23.88	4.7	3.30		0.55kW							1.7	2844	834	58	2.75			0.22	21468	6295	87	0.90	GFA159R99	4P	2.2	2183	640	59	3.55				0.26	18430	5404		97	1.05	GFAF159R99	0.50	9481	2780	113	2.00	GF159R99 GFF159R99	1.6	3025	887	17	1.00	GFA79R39 GFAF79R39 GF79R39 GFF79R39	4P	1.8	2660	780	23			1.10			1.8			2660	780	23	1.10		2.1			2299	674	24	1.30		2.3	2077	609			25	1.45		2.7	1756	515	26	1.70		3.1	1541	452	26	1.95		4.0	1177	345	27	2.55		2.9	1637	480	14	0.90	GFA69R39	4P	2.9	1637	480	14	0.90				3.4	1408	413		15	1.05	GFAF69R39	3.8	1252		367	16	1.20	GF69R39	4.3	1102	323	17	1.35	GFF69R39	5.4	876	257	9.2	0.90	GFA99	8P	5.4	876	257	9.2	0.90				6.0	788	231		10	1.05	GFAF99	6.8	699	205	11	1.15	GF99	7.9	597	175	11	1.35	GFF99	2.4	2046	270.68	25	1.45	GFA89	8P	2.4	2092	276.77	33	2.00				2.6	1931	255.37		25	1.50	GFAF89	2.9	1731		228.93	26	1.70	GF89	3.3	1491	197.20	26	1.95	GFF89	3.3	1518	270.68	26	1.90	GFA89	6P	2.6	1916	253.41	34	2.20				3.5	1432	255.37		26	2.00	GFAF89	3.9	1284		228.93	27	2.20	GF89	4.5	1106	197.20		27	2.60	GFF89	4.9	1009	179.97	27	2.90																																																																																																																																																																																																																																																																																																																																															
30	111	43.95	4.9	1.80				35	97	38.31			5.0	2.00		37			91	35.91	5.0	2.20		42			80	31.69	5.0	2.50		47			71	28.10	4.9	2.80		56			60	23.88	4.7	3.30		0.55kW							1.7	2844	834	58	2.75			0.22	21468	6295	87	0.90	GFA159R99	4P	2.2	2183	640	59	3.55				0.26	18430	5404	97	1.05		GFAF159R99	0.50	9481	2780	113	2.00	GF159R99 GFF159R99	1.6	3025	887	17	1.00	GFA79R39 GFAF79R39 GF79R39 GFF79R39	4P	1.8	2660	780	23	1.10					1.8	2660	780			23	1.10		2.1			2299	674	24	1.30		2.3			2077	609	25	1.45		2.7	1756	515	26	1.70		3.1	1541	452	26	1.95		4.0	1177	345	27	2.55		2.9	1637	480	14	0.90	GFA69R39	4P	2.9	1637	480	14	0.90				3.4	1408	413	15	1.05		GFAF69R39	3.8	1252	367	16		1.20	GF69R39	4.3	1102	323	17	1.35	GFF69R39	5.4	876	257	9.2	0.90	GFA99	8P	5.4	876	257	9.2	0.90				6.0	788	231	10	1.05		GFAF99	6.8	699	205	11	1.15	GF99	7.9	597	175	11	1.35	GFF99	2.4	2046	270.68	25	1.45	GFA89	8P	2.4	2092	276.77	33	2.00				2.6	1931	255.37	25	1.50		GFAF89	2.9	1731	228.93	26		1.70	GF89	3.3	1491	197.20	26	1.95	GFF89	3.3	1518	270.68	26	1.90	GFA89	6P	2.6	1916	253.41	34	2.20				3.5	1432	255.37	26	2.00		GFAF89	3.9	1284	228.93	27		2.20	GF89	4.5	1106	197.20		27	2.60	GFF89	4.9	1009	179.97	27	2.90																																																																																																																																																																																																																																																																																																																																																							
35	97	38.31	5.0	2.00				37	91	35.91			5.0	2.20		42			80	31.69	5.0	2.50		47			71	28.10	4.9	2.80		56			60	23.88	4.7	3.30		0.55kW							1.7	2844	834	58	2.75			0.22	21468	6295	87	0.90	GFA159R99	4P	2.2	2183	640	59	3.55				0.26	18430	5404	97	1.05	GFAF159R99	0.50		9481	2780	113	2.00	GF159R99 GFF159R99	1.6	3025	887	17	1.00	GFA79R39 GFAF79R39 GF79R39 GFF79R39	4P	1.8	2660	780	23	1.10					1.8	2660	780	23	1.10				2.1	2299	674			24	1.30		2.3			2077	609	25	1.45		2.7	1756	515	26	1.70		3.1	1541	452	26	1.95		4.0	1177	345	27	2.55		2.9	1637	480	14	0.90	GFA69R39	4P	2.9	1637	480	14	0.90				3.4	1408	413	15	1.05	GFAF69R39	3.8		1252	367	16	1.20	GF69R39		4.3	1102	323	17	1.35	GFF69R39	5.4	876	257	9.2	0.90	GFA99	8P	5.4	876	257	9.2	0.90				6.0	788	231	10	1.05	GFAF99	6.8		699	205	11	1.15	GF99	7.9	597	175	11	1.35	GFF99	2.4	2046	270.68	25	1.45	GFA89	8P	2.4	2092	276.77	33	2.00				2.6	1931	255.37	25	1.50	GFAF89	2.9		1731	228.93	26	1.70	GF89		3.3	1491	197.20	26	1.95	GFF89	3.3	1518	270.68	26	1.90	GFA89	6P	2.6	1916	253.41	34	2.20				3.5	1432	255.37	26	2.00	GFAF89	3.9		1284	228.93	27	2.20	GF89		4.5	1106	197.20	27	2.60		GFF89	4.9	1009	179.97	27	2.90																																																																																																																																																																																																																																																																																																																																																															
37	91	35.91	5.0	2.20				42	80	31.69			5.0	2.50		47			71	28.10	4.9	2.80		56			60	23.88	4.7	3.30		0.55kW							1.7	2844	834	58	2.75			0.22	21468	6295	87	0.90	GFA159R99	4P	2.2	2183	640	59	3.55				0.26	18430	5404	97	1.05	GFAF159R99	0.50		9481	2780	113	2.00	GF159R99 GFF159R99	1.6	3025	887	17	1.00	GFA79R39 GFAF79R39 GF79R39 GFF79R39	4P	1.8	2660	780	23	1.10					1.8	2660	780	23	1.10				2.1	2299	674	24	1.30				2.3	2077	609			25	1.45		2.7	1756	515	26	1.70		3.1	1541	452	26	1.95		4.0	1177	345	27	2.55		2.9	1637	480	14	0.90	GFA69R39	4P	2.9	1637	480	14	0.90				3.4	1408	413	15	1.05	GFAF69R39	3.8		1252	367	16	1.20	GF69R39	4.3	1102		323	17	1.35	GFF69R39	5.4	876	257	9.2	0.90	GFA99	8P	5.4	876	257	9.2	0.90				6.0	788	231	10	1.05	GFAF99	6.8		699	205	11	1.15	GF99	7.9	597	175	11	1.35	GFF99	2.4	2046	270.68	25	1.45	GFA89	8P	2.4	2092	276.77	33	2.00				2.6	1931	255.37	25	1.50	GFAF89	2.9		1731	228.93	26	1.70	GF89	3.3	1491		197.20	26	1.95	GFF89	3.3	1518	270.68	26	1.90	GFA89	6P	2.6	1916	253.41	34	2.20				3.5	1432	255.37	26	2.00	GFAF89	3.9		1284	228.93	27	2.20	GF89	4.5	1106		197.20	27	2.60	GFF89	4.9		1009	179.97	27	2.90																																																																																																																																																																																																																																																																																																																																																																							
42	80	31.69	5.0	2.50				47	71	28.10			4.9	2.80		56			60	23.88	4.7	3.30		0.55kW							1.7	2844	834	58	2.75			0.22	21468	6295	87	0.90	GFA159R99	4P	2.2	2183	640	59	3.55				0.26	18430	5404	97	1.05	GFAF159R99	0.50		9481	2780	113	2.00	GF159R99 GFF159R99	1.6	3025	887	17	1.00	GFA79R39 GFAF79R39 GF79R39 GFF79R39	4P	1.8	2660	780	23	1.10					1.8	2660	780	23	1.10				2.1	2299	674	24	1.30				2.3	2077	609	25	1.45				2.7	1756	515	26	1.70		3.1	1541	452	26	1.95		4.0	1177	345	27	2.55		2.9	1637	480	14	0.90	GFA69R39	4P	2.9	1637	480	14	0.90				3.4	1408	413	15	1.05	GFAF69R39	3.8		1252	367	16	1.20	GF69R39	4.3	1102		323	17	1.35	GFF69R39	5.4	876	257	9.2	0.90	GFA99	8P	5.4	876	257	9.2	0.90				6.0	788	231	10	1.05	GFAF99	6.8		699	205	11	1.15	GF99	7.9	597	175	11	1.35	GFF99	2.4	2046	270.68	25	1.45	GFA89	8P	2.4	2092	276.77	33	2.00				2.6	1931	255.37	25	1.50	GFAF89	2.9		1731	228.93	26	1.70	GF89	3.3	1491		197.20	26	1.95	GFF89	3.3	1518	270.68	26	1.90	GFA89	6P	2.6	1916	253.41	34	2.20				3.5	1432	255.37	26	2.00	GFAF89	3.9		1284	228.93	27	2.20	GF89	4.5	1106		197.20	27	2.60	GFF89	4.9	1009	179.97		27	2.90																																																																																																																																																																																																																																																																																																																																																																															
47	71	28.10	4.9	2.80				56	60	23.88			4.7	3.30		0.55kW							1.7	2844	834	58	2.75			0.22	21468	6295	87	0.90	GFA159R99	4P	2.2	2183	640	59	3.55				0.26	18430	5404	97	1.05	GFAF159R99	0.50		9481	2780	113	2.00	GF159R99 GFF159R99	1.6	3025	887	17	1.00	GFA79R39 GFAF79R39 GF79R39 GFF79R39	4P	1.8	2660	780	23	1.10					1.8	2660	780	23	1.10				2.1	2299	674	24	1.30				2.3	2077	609	25	1.45				2.7	1756	515	26	1.70		3.1	1541	452	26	1.95		4.0	1177	345	27	2.55		2.9	1637	480	14	0.90	GFA69R39	4P	2.9	1637	480	14	0.90				3.4	1408	413	15	1.05	GFAF69R39	3.8		1252	367	16	1.20	GF69R39	4.3	1102		323	17	1.35	GFF69R39	5.4	876	257	9.2	0.90	GFA99	8P	5.4	876	257	9.2	0.90				6.0	788	231	10	1.05	GFAF99	6.8		699	205	11	1.15	GF99	7.9	597	175	11	1.35	GFF99	2.4	2046	270.68	25	1.45	GFA89	8P	2.4	2092	276.77	33	2.00				2.6	1931	255.37	25	1.50	GFAF89	2.9		1731	228.93	26	1.70	GF89	3.3	1491		197.20	26	1.95	GFF89	3.3	1518	270.68	26	1.90	GFA89	6P	2.6	1916	253.41	34	2.20				3.5	1432	255.37	26	2.00	GFAF89	3.9		1284	228.93	27	2.20	GF89	4.5	1106		197.20	27	2.60	GFF89	4.9	1009	179.97		27	2.90																																																																																																																																																																																																																																																																																																																																																																																							
56	60	23.88	4.7	3.30				0.55kW							1.7	2844	834	58	2.75			0.22	21468	6295	87	0.90	GFA159R99	4P	2.2	2183	640	59	3.55				0.26	18430	5404	97	1.05	GFAF159R99	0.50		9481	2780	113	2.00	GF159R99 GFF159R99	1.6	3025	887	17	1.00	GFA79R39 GFAF79R39 GF79R39 GFF79R39	4P	1.8	2660	780	23	1.10					1.8	2660	780	23	1.10				2.1	2299	674	24	1.30				2.3	2077	609	25	1.45				2.7	1756	515	26	1.70		3.1	1541	452	26	1.95		4.0	1177	345	27	2.55		2.9	1637	480	14	0.90	GFA69R39	4P	2.9	1637	480	14	0.90				3.4	1408	413	15	1.05	GFAF69R39	3.8		1252	367	16	1.20	GF69R39	4.3	1102		323	17	1.35	GFF69R39	5.4	876	257	9.2	0.90	GFA99	8P	5.4	876	257	9.2	0.90				6.0	788	231	10	1.05	GFAF99	6.8		699	205	11	1.15	GF99	7.9	597	175	11	1.35	GFF99	2.4	2046	270.68	25	1.45	GFA89	8P	2.4	2092	276.77	33	2.00				2.6	1931	255.37	25	1.50	GFAF89	2.9		1731	228.93	26	1.70	GF89	3.3	1491		197.20	26	1.95	GFF89	3.3	1518	270.68	26	1.90	GFA89	6P	2.6	1916	253.41	34	2.20				3.5	1432	255.37	26	2.00	GFAF89	3.9		1284	228.93	27	2.20	GF89	4.5	1106		197.20	27	2.60	GFF89	4.9	1009	179.97		27	2.90																																																																																																																																																																																																																																																																																																																																																																																															
0.55kW							1.7	2844	834	58	2.75																																																																																																																																																																																																																																																																																																																																																																																																																																																																																																																																																																																																																																																
0.22	21468	6295	87	0.90	GFA159R99	4P	2.2	2183	640	59	3.55																																																																																																																																																																																																																																																																																																																																																																																																																																																																																																																																																																																																																																																
0.26	18430	5404	97	1.05	GFAF159R99		0.50	9481	2780	113	2.00	GF159R99 GFF159R99	1.6	3025	887	17	1.00	GFA79R39 GFAF79R39 GF79R39 GFF79R39	4P	1.8	2660	780	23	1.10			1.8	2660	780	23	1.10		2.1	2299	674	24	1.30		2.3	2077	609	25	1.45		2.7	1756	515	26	1.70		3.1	1541	452	26			1.95		4.0	1177	345	27			2.55		2.9	1637	480	14	0.90	GFA69R39	4P	2.9	1637	480	14	0.90			3.4	1408	413	15	1.05	GFAF69R39	3.8	1252	367	16	1.20	GF69R39	4.3	1102	323	17	1.35	GFF69R39	5.4	876	257	9.2	0.90	GFA99	8P	5.4	876	257	9.2	0.90			6.0		788	231	10	1.05	GFAF99	6.8	699	205	11	1.15	GF99	7.9	597	175	11	1.35	GFF99	2.4	2046	270.68	25	1.45	GFA89	8P	2.4	2092	276.77	33	2.00			2.6	1931	255.37	25	1.50	GFAF89	2.9	1731	228.93	26	1.70	GF89	3.3	1491	197.20	26	1.95	GFF89	3.3	1518	270.68	26	1.90	GFA89	6P	2.6	1916	253.41	34	2.20			3.5	1432	255.37	26	2.00		GFAF89	3.9	1284	228.93	27	2.20	GF89	4.5	1106	197.20	27	2.60	GFF89	4.9	1009	179.97	27	2.90																																																																																																																																																																																																																																																																																																																																																																																																																																																		
0.50	9481	2780	113	2.00	GF159R99 GFF159R99		1.6	3025	887	17	1.00	GFA79R39 GFAF79R39 GF79R39 GFF79R39	4P	1.8	2660	780	23			1.10			1.8	2660	780	23	1.10		2.1	2299	674	24	1.30		2.3	2077	609	25	1.45		2.7	1756	515	26	1.70		3.1	1541	452	26	1.95		4.0	1177			345	27	2.55		2.9	1637	480	14	0.90	GFA69R39	4P	2.9	1637	480	14	0.90				3.4	1408	413	15	1.05	GFAF69R39	3.8	1252	367	16	1.20	GF69R39	4.3	1102	323	17	1.35	GFF69R39	5.4	876	257	9.2	0.90	GFA99	8P	5.4	876	257	9.2		0.90			6.0	788	231	10	1.05	GFAF99	6.8	699	205	11	1.15	GF99	7.9	597	175	11	1.35	GFF99	2.4	2046	270.68	25	1.45	GFA89	8P	2.4	2092	276.77	33		2.00			2.6	1931	255.37	25	1.50	GFAF89	2.9	1731	228.93	26	1.70	GF89	3.3	1491	197.20	26	1.95	GFF89	3.3	1518	270.68	26	1.90	GFA89	6P	2.6	1916	253.41		34	2.20			3.5	1432	255.37	26	2.00	GFAF89	3.9	1284	228.93	27	2.20	GF89	4.5	1106	197.20	27	2.60	GFF89	4.9	1009	179.97	27	2.90																																																																																																																																																																																																																																																																																																																																																																																																																																																						
1.6	3025	887	17	1.00	GFA79R39 GFAF79R39 GF79R39 GFF79R39	4P	1.8	2660	780	23	1.10																																																																																																																																																																																																																																																																																																																																																																																																																																																																																																																																																																																																																																																
1.8	2660	780	23	1.10				2.1	2299	674	24			1.30		2.3	2077			609	25	1.45		2.7	1756	515	26	1.70		3.1	1541	452	26	1.95		4.0	1177	345	27	2.55		2.9	1637	480	14	0.90	GFA69R39	4P	2.9	1637	480	14	0.90			3.4	1408	413	15	1.05	GFAF69R39	3.8	1252	367	16	1.20		GF69R39	4.3	1102	323	17		1.35	GFF69R39	5.4	876	257	9.2	0.90	GFA99	8P	5.4	876	257	9.2	0.90			6.0	788	231	10	1.05	GFAF99	6.8	699	205	11		1.15	GF99	7.9	597	175	11	1.35	GFF99	2.4	2046	270.68	25	1.45	GFA89	8P	2.4	2092	276.77	33	2.00			2.6	1931	255.37	25	1.50	GFAF89	2.9	1731	228.93	26		1.70	GF89	3.3	1491		197.20	26	1.95	GFF89	3.3	1518	270.68	26	1.90	GFA89	6P	2.6	1916	253.41	34	2.20			3.5	1432	255.37	26	2.00	GFAF89	3.9	1284	228.93		27	2.20	GF89		4.5	1106	197.20	27	2.60	GFF89	4.9	1009	179.97	27	2.90																																																																																																																																																																																																																																																																																																																																																																																																																																																																						
2.1	2299	674	24	1.30				2.3	2077	609	25			1.45		2.7	1756			515	26	1.70		3.1	1541	452	26	1.95		4.0	1177	345	27	2.55		2.9	1637	480	14	0.90	GFA69R39	4P	2.9	1637	480	14	0.90				3.4	1408	413	15	1.05	GFAF69R39	3.8	1252	367	16	1.20	GF69R39	4.3	1102	323	17		1.35	GFF69R39	5.4	876	257	9.2	0.90	GFA99	8P	5.4	876	257	9.2	0.90				6.0	788	231	10	1.05	GFAF99	6.8	699	205	11	1.15	GF99	7.9	597	175	11	1.35	GFF99	2.4	2046	270.68	25	1.45	GFA89	8P	2.4	2092	276.77	33	2.00				2.6	1931	255.37	25	1.50	GFAF89	2.9	1731	228.93	26	1.70	GF89	3.3	1491	197.20		26	1.95	GFF89	3.3	1518	270.68	26	1.90	GFA89	6P	2.6	1916	253.41	34	2.20				3.5	1432	255.37	26	2.00	GFAF89	3.9	1284	228.93	27	2.20	GF89	4.5	1106		197.20	27	2.60		GFF89	4.9	1009	179.97	27	2.90																																																																																																																																																																																																																																																																																																																																																																																																																																																																											
2.3	2077	609	25	1.45				2.7	1756	515	26			1.70		3.1	1541	452	26	1.95		4.0	1177	345	27	2.55		2.9	1637	480	14	0.90	GFA69R39	4P	2.9	1637	480	14	0.90				3.4	1408	413	15	1.05		GFAF69R39	3.8	1252	367	16	1.20	GF69R39	4.3	1102	323	17	1.35	GFF69R39	5.4	876	257	9.2	0.90	GFA99	8P	5.4	876	257	9.2	0.90				6.0	788	231	10	1.05		GFAF99	6.8	699	205	11	1.15	GF99	7.9	597	175	11	1.35	GFF99	2.4	2046	270.68	25	1.45	GFA89	8P	2.4	2092	276.77	33	2.00				2.6	1931	255.37	25		1.50	GFAF89	2.9	1731	228.93	26	1.70	GF89	3.3	1491	197.20	26	1.95	GFF89	3.3	1518	270.68	26	1.90	GFA89	6P	2.6	1916	253.41	34	2.20				3.5	1432	255.37	26		2.00	GFAF89	3.9	1284	228.93	27	2.20	GF89	4.5	1106	197.20	27	2.60	GFF89	4.9	1009		179.97	27	2.90																																																																																																																																																																																																																																																																																																																																																																																																																																																																																		
2.7	1756	515	26	1.70				3.1	1541	452	26	1.95		4.0	1177	345	27	2.55		2.9	1637	480	14	0.90	GFA69R39	4P	2.9	1637	480	14	0.90				3.4	1408	413	15	1.05	GFAF69R39	3.8		1252	367	16	1.20	GF69R39		4.3	1102	323	17	1.35	GFF69R39	5.4	876	257	9.2	0.90	GFA99	8P	5.4	876	257	9.2	0.90				6.0	788	231	10	1.05	GFAF99		6.8	699	205	11	1.15	GF99	7.9	597	175	11	1.35	GFF99	2.4	2046	270.68	25	1.45	GFA89	8P	2.4	2092	276.77	33	2.00				2.6	1931	255.37	25	1.50		GFAF89	2.9	1731	228.93	26		1.70	GF89	3.3	1491	197.20	26	1.95	GFF89	3.3	1518	270.68	26	1.90	GFA89	6P	2.6	1916	253.41	34	2.20				3.5	1432	255.37	26		2.00	GFAF89	3.9	1284	228.93		27	2.20	GF89	4.5	1106	197.20	27	2.60	GFF89	4.9	1009	179.97	27	2.90																																																																																																																																																																																																																																																																																																																																																																																																																																																																																								
3.1	1541	452	26	1.95		4.0	1177	345	27	2.55		2.9	1637	480	14	0.90	GFA69R39	4P	2.9	1637	480	14	0.90				3.4	1408	413	15	1.05	GFAF69R39	3.8		1252	367	16	1.20	GF69R39	4.3	1102		323	17	1.35	GFF69R39	5.4	876	257	9.2	0.90	GFA99	8P	5.4	876	257	9.2	0.90				6.0	788	231	10	1.05	GFAF99		6.8	699	205	11	1.15	GF99	7.9	597	175	11	1.35	GFF99	2.4	2046	270.68	25	1.45	GFA89	8P	2.4	2092	276.77	33	2.00				2.6	1931	255.37	25	1.50	GFAF89		2.9	1731	228.93	26	1.70	GF89		3.3	1491	197.20	26	1.95	GFF89	3.3	1518	270.68	26	1.90	GFA89	6P	2.6	1916	253.41	34	2.20				3.5	1432	255.37	26	2.00		GFAF89	3.9	1284	228.93	27	2.20		GF89	4.5	1106	197.20	27		2.60	GFF89	4.9	1009	179.97	27	2.90																																																																																																																																																																																																																																																																																																																																																																																																																																																																																															
4.0	1177	345	27	2.55		2.9	1637	480	14	0.90	GFA69R39	4P	2.9	1637	480	14	0.90				3.4	1408	413	15	1.05		GFAF69R39	3.8	1252	367	16	1.20	GF69R39		4.3	1102	323	17	1.35	GFF69R39	5.4	876	257	9.2	0.90	GFA99	8P	5.4	876	257	9.2	0.90				6.0	788	231	10	1.05		GFAF99	6.8	699	205	11	1.15	GF99	7.9	597	175	11	1.35	GFF99	2.4	2046	270.68	25	1.45	GFA89	8P	2.4	2092	276.77	33	2.00				2.6	1931	255.37	25	1.50		GFAF89	2.9	1731	228.93	26	1.70		GF89	3.3	1491	197.20	26	1.95	GFF89	3.3	1518	270.68	26	1.90	GFA89	6P	2.6	1916	253.41	34	2.20				3.5	1432	255.37	26	2.00		GFAF89	3.9	1284	228.93	27		2.20	GF89	4.5	1106	197.20	27		2.60	GFF89	4.9	1009	179.97	27	2.90																																																																																																																																																																																																																																																																																																																																																																																																																																																																																																					
2.9	1637	480	14	0.90	GFA69R39	4P	2.9	1637	480	14	0.90																																																																																																																																																																																																																																																																																																																																																																																																																																																																																																																																																																																																																																																
3.4	1408	413	15	1.05	GFAF69R39		3.8	1252	367	16	1.20		GF69R39	4.3	1102	323	17		1.35	GFF69R39	5.4	876	257	9.2	0.90	GFA99	8P	5.4	876	257	9.2	0.90			6.0	788	231	10	1.05	GFAF99	6.8	699	205	11	1.15	GF99		7.9	597	175	11	1.35	GFF99	2.4	2046	270.68	25	1.45	GFA89	8P	2.4	2092	276.77	33	2.00			2.6	1931	255.37	25	1.50	GFAF89	2.9	1731	228.93	26	1.70	GF89	3.3		1491	197.20	26	1.95	GFF89		3.3	1518	270.68	26	1.90	GFA89	6P	2.6	1916	253.41	34	2.20			3.5	1432	255.37	26	2.00	GFAF89	3.9	1284	228.93	27	2.20	GF89	4.5	1106		197.20	27	2.60	GFF89	4.9		1009	179.97	27	2.90																																																																																																																																																																																																																																																																																																																																																																																																																																																																																																																													
3.8	1252	367	16	1.20	GF69R39		4.3	1102	323	17	1.35		GFF69R39	5.4	876	257	9.2	0.90	GFA99	8P	5.4	876	257	9.2	0.90				6.0	788	231	10	1.05	GFAF99	6.8	699	205	11	1.15	GF99	7.9	597	175	11	1.35	GFF99	2.4	2046	270.68	25	1.45	GFA89	8P	2.4	2092	276.77	33	2.00				2.6	1931	255.37	25	1.50	GFAF89	2.9	1731	228.93	26	1.70	GF89	3.3	1491	197.20	26	1.95	GFF89	3.3		1518	270.68	26	1.90	GFA89	6P	2.6	1916	253.41	34	2.20				3.5	1432	255.37	26	2.00	GFAF89	3.9	1284	228.93	27	2.20	GF89	4.5	1106	197.20	27	2.60	GFF89	4.9	1009		179.97	27	2.90																																																																																																																																																																																																																																																																																																																																																																																																																																																																																																																																				
4.3	1102	323	17	1.35	GFF69R39		5.4	876	257	9.2	0.90	GFA99	8P	5.4	876	257	9.2	0.90				6.0	788	231	10	1.05		GFAF99	6.8	699	205	11	1.15	GF99	7.9	597	175	11	1.35	GFF99	2.4	2046	270.68	25	1.45	GFA89	8P	2.4	2092	276.77	33	2.00				2.6	1931	255.37	25		1.50	GFAF89	2.9	1731	228.93	26	1.70	GF89	3.3	1491	197.20	26	1.95	GFF89	3.3	1518	270.68	26	1.90	GFA89	6P	2.6	1916	253.41	34	2.20				3.5	1432	255.37	26		2.00	GFAF89	3.9	1284	228.93	27	2.20	GF89	4.5	1106	197.20	27	2.60	GFF89	4.9	1009	179.97	27	2.90																																																																																																																																																																																																																																																																																																																																																																																																																																																																																																																																										
5.4	876	257	9.2	0.90	GFA99	8P	5.4	876	257	9.2	0.90																																																																																																																																																																																																																																																																																																																																																																																																																																																																																																																																																																																																																																																
6.0	788	231	10	1.05	GFAF99		6.8	699	205	11	1.15	GF99		7.9	597	175	11	1.35	GFF99	2.4	2046	270.68	25	1.45	GFA89	8P	2.4	2092	276.77	33	2.00			2.6	1931	255.37	25	1.50	GFAF89	2.9	1731	228.93	26	1.70	GF89	3.3		1491	197.20	26	1.95	GFF89		3.3	1518	270.68	26	1.90	GFA89	6P	2.6	1916	253.41	34	2.20			3.5	1432	255.37	26	2.00	GFAF89	3.9	1284	228.93	27	2.20	GF89	4.5		1106	197.20	27	2.60	GFF89		4.9	1009	179.97	27	2.90																																																																																																																																																																																																																																																																																																																																																																																																																																																																																																																																																															
6.8	699	205	11	1.15	GF99		7.9	597	175	11	1.35	GFF99	2.4	2046	270.68	25	1.45	GFA89	8P	2.4	2092	276.77	33	2.00				2.6	1931	255.37	25	1.50	GFAF89	2.9	1731	228.93	26	1.70	GF89	3.3	1491	197.20	26	1.95	GFF89	3.3		1518	270.68	26	1.90	GFA89	6P	2.6	1916	253.41	34	2.20				3.5	1432	255.37	26	2.00	GFAF89	3.9	1284	228.93	27	2.20	GF89	4.5	1106	197.20	27	2.60	GFF89	4.9		1009	179.97	27	2.90																																																																																																																																																																																																																																																																																																																																																																																																																																																																																																																																																																						
7.9	597	175	11	1.35	GFF99	2.4	2046	270.68	25	1.45	GFA89	8P	2.4	2092	276.77	33	2.00				2.6	1931	255.37	25	1.50		GFAF89	2.9	1731	228.93	26	1.70	GF89	3.3	1491	197.20	26	1.95	GFF89	3.3	1518	270.68	26	1.90	GFA89	6P	2.6	1916	253.41	34	2.20				3.5	1432	255.37	26	2.00		GFAF89	3.9	1284	228.93	27	2.20	GF89	4.5	1106	197.20	27	2.60	GFF89	4.9	1009	179.97	27	2.90																																																																																																																																																																																																																																																																																																																																																																																																																																																																																																																																																																													
2.4	2046	270.68	25	1.45	GFA89	8P	2.4	2092	276.77	33	2.00																																																																																																																																																																																																																																																																																																																																																																																																																																																																																																																																																																																																																																																
2.6	1931	255.37	25	1.50	GFAF89		2.9	1731	228.93	26	1.70		GF89	3.3	1491	197.20	26	1.95		GFF89	3.3	1518	270.68	26	1.90	GFA89	6P	2.6	1916	253.41	34	2.20			3.5	1432	255.37	26	2.00	GFAF89	3.9	1284	228.93	27	2.20		GF89	4.5	1106	197.20	27	2.60		GFF89	4.9	1009	179.97	27	2.90																																																																																																																																																																																																																																																																																																																																																																																																																																																																																																																																																																																																
2.9	1731	228.93	26	1.70	GF89		3.3	1491	197.20	26	1.95		GFF89	3.3	1518	270.68	26	1.90	GFA89	6P	2.6	1916	253.41	34	2.20				3.5	1432	255.37	26	2.00	GFAF89	3.9	1284	228.93	27	2.20	GF89	4.5	1106	197.20	27	2.60		GFF89	4.9	1009	179.97	27	2.90																																																																																																																																																																																																																																																																																																																																																																																																																																																																																																																																																																																																							
3.3	1491	197.20	26	1.95	GFF89		3.3	1518	270.68	26	1.90	GFA89	6P	2.6	1916	253.41	34	2.20				3.5	1432	255.37	26	2.00		GFAF89	3.9	1284	228.93	27	2.20	GF89	4.5	1106	197.20	27	2.60	GFF89	4.9	1009	179.97	27	2.90																																																																																																																																																																																																																																																																																																																																																																																																																																																																																																																																																																																																														
3.3	1518	270.68	26	1.90	GFA89	6P	2.6	1916	253.41	34	2.20																																																																																																																																																																																																																																																																																																																																																																																																																																																																																																																																																																																																																																																
3.5	1432	255.37	26	2.00	GFAF89		3.9	1284	228.93	27	2.20	GF89		4.5	1106	197.20	27	2.60	GFF89		4.9	1009	179.97	27	2.90																																																																																																																																																																																																																																																																																																																																																																																																																																																																																																																																																																																																																																		
3.9	1284	228.93	27	2.20	GF89		4.5	1106	197.20	27	2.60	GFF89		4.9	1009	179.97	27	2.90																																																																																																																																																																																																																																																																																																																																																																																																																																																																																																																																																																																																																																									
4.5	1106	197.20	27	2.60	GFF89		4.9	1009	179.97	27	2.90																																																																																																																																																																																																																																																																																																																																																																																																																																																																																																																																																																																																																																																
4.9	1009	179.97	27	2.90																																																																																																																																																																																																																																																																																																																																																																																																																																																																																																																																																																																																																																																							

**选型参数表
(恒功率)**
**Selection Table
(Constant Power)**

n_a [r/min]	M_a [N.m]	i	F_{Ra} [kN]	f_B	机型号 Type size	极数 Pole	n_a [r/min]	M_a [N.m]	i	F_{Ra} [kN]	f_B	机型号 Type size	极数 Pole
0.55kW							0.75kW						
3.9	1266	225.79	16	1.15								GFA159R99	
4.5	1112	198.31	17	1.30	GFA79	6P	0.50	12928	2780	108	1.45	GFAF159R99	4P
4.7	1056	188.40	17	1.35	GFAF79		GF159R99						
5.3	933	166.47	17	1.55	GF79		GFF159R99						
6.3	798	142.27	18	1.80	GFF79								
6.8	731	130.42	18	1.95									
6.2	811	225.79	18	1.70			0.57	11287	2427	110	1.70	GFA159R99	4P
7.0	712	198.31	18	1.95			0.83	7785	1674	114	2.40	GFAF159R99	
7.4	676	188.40	18	2.10	GFA79	4P	1.1	6083	1308	114	3.10	GF159R99	
8.3	598	166.47	18	2.30	GFAF79		GFF159R99						
8.8	511	142.27	19	2.70	GF79								
9.8	468	130.42	19	3.00	GFF79								
11	411	114.45	19	3.40			0.46	14082	3028	83	0.85	GFA129R79	4P
12	389	108.46	19	3.60			0.52	12412	2669	85	0.95	GFA129R79	
13	341	94.93	19	4.10			0.59	10947	2354	86	1.10	GFAF129R79	
15	341	94.93	19	4.10			0.68	9464	2035	86	1.25	GF129R79	
7.1	701	195.39	10	1.10			0.78	8287	1782	86	1.45	GFF129R79	4P
8.1	613	170.85	11	1.25			0.87	7464	1605	86	1.60		
8.6	583	162.31	11	1.30	GFA69	4P	0.76	8492	1826	46	0.90		
9.8	511	142.40	12	1.50	GFAF69		GFF69						
12	434	120.79	12	1.75	GF69								
13	391	109.04	12	1.95	GFF69								
14	344	95.94	12	2.20			1.1	5781	1243	52	1.35	GFA109R79	4P
15	325	90.59	12	2.30			1.3	5055	1087	53	1.50	GFAF109R79	
17	286	79.76	12	2.70			1.5	4418	950	55	1.75	GF109R79	
8.8	564	157.09	8.7	1.00			1.7	3878	834	56	2.00	GFF109R79	
10	489	136.16	9.3	1.15			2.2	2976	640	57	2.60		4P
11	457	127.27	9.5	1.20			3.2	2028	436	59	3.85		
13	395	110.01	10	1.40	GFA59	4P	1.4	4753	1022	22	0.90		
15	336	93.47	10	1.65	GFAF59		GF59						
17	300	83.46	10	1.85	GFF59								
19	262	72.98	11	2.10				1.5	4176	898	29	1.00	GFA99R59
20	245	68.22	11	2.30			1.8	3651	785	30	1.20	GFAF99R59	4P
24	212	58.97	11	2.60			2.0	3209	690	31	1.35	GF99R59	
13	377	105.09	5.5	1.00			2.3	2814	605	32	1.55	GFF99R59	
16	321	89.29	6.3	1.15			2.6	2460	529	33	1.75		
17	286	79.72	6.6	1.30	GFA49	4P	3.0	2172	467	33	2.00		
20	244	68.09	7.0	1.50	GFAF49		GF49						
21	235	65.36	7.1	1.60	GF49								
25	203	56.49	7.3	1.85	GFF49								
29	172	48.00	7.3	2.20			3.4	1888	406	34	2.30		4P
32	154	42.86	7.5	2.40			3.8	1688	363	34	2.55		
24	209	58.32	3.7	0.90			2.1	3134	674	14	0.95	GFA89R59	
25	196	54.54	3.9	0.95			2.3	2832	609	22	1.05	GFAF89R59	
27	186	51.70	4.1	1.00			2.7	2395	515	24	1.25	GF89R59	
30	169	47.02	4.3	1.10	GFA39	4P	3.1	2102	452	25	1.45	GFF89R59	
32	158	43.95	4.4	1.20	GFAF39		GF39						
36	138	38.31	4.7	1.35	GF39								
39	129	35.91	4.7	1.45	GFF39								
44	114	31.69	4.7	1.65			4.0	1604	345	26	1.85		4P
49	101	28.10	4.6	1.85			3.8	1707	367	13	0.85	GFA79R39	
58	86	23.88	4.5	2.20			4.3	1502	323	15	1.00	GFAF79R39	
59	85	23.63	4.5	2.20			5.0	1302	280	16	1.15	GF79R39	
68	74	20.57	4.3	2.50	GFA39	4P						GFF79R39	4P
72	69	19.27	4.2	2.70	GFAF39		GF39						
82	61	17.03	4.1	3.00	GF39								
97	51	14.33	3.9	3.60	GFF39								
							2.7	2509	254.40	58	3.00	GFA109	8P
												GFAF109	
												GF109	
							2.5	2729	276.77	32	1.55	GFF109	8P
							2.7	2499	253.41	32	1.70	GFA99	
							3.1	2208	223.88	33	1.90	GFAF99	
												GF99	6P
												GFF99	
							3.3	2070	276.77	33	1.95	GFA99	
							3.6	1895	253.41	34	2.10	GFAF99	6P
							4.1	1674	223.88	34	2.40	GF99	
												GFF99	

**选型参数表
(恒功率)**
**Selection Table
(Constant Power)**

n_a [r/min]	M_a [N.m]	i	F_{Ra} [kN]	f_B	机型号 Type size	极数 Pole	n_a [r/min]	M_a [N.m]	i	F_{Ra} [kN]	f_B	机型号 Type size	极数 Pole
0.75kW							0.75kW						
3.4	2024	270.68	25	1.40			59	112	23.63	4.2	1.65		
3.6	1909	255.37	25	1.50	GFA89		68	98	20.57	4.1	1.85	GFA39	
4.0	1712	228.93	26	1.65	GFAF89		72	91	19.27	4.0	2.00	GFAF39	4P
4.6	1475	197.20	26	1.90	GF89	6P	82	81	17.03	3.9	2.30	GF39	
5.1	1346	179.97	27	2.10	GFF89		97	68	14.33	3.8	2.70	GFF39	
5.7	1193	159.61	27	2.40			108	61	12.87	3.7	3.00		
5.1	1325	270.68	27	2.10	GFA89		1.1kW						
5.4	1250	255.37	27	2.30	GFAF89	4P	0.50	18826	2780	95	0.95	GFA159R99	
6.1	1121	228.93	27	2.50	GF89							GFAF159R99	4P
					GFF89							GF159R99	
												GFF159R99	
4.6	1483	198.31	14	0.95	GFA79		0.58	16436	2427	101	1.10		
4.8	1409	188.40	15	1.00	GFAF79		0.64	14797	2185	104	1.20		
5.5	1245	166.47	16	1.15	GF79	6P	0.72	13165	1944	107	1.35		
6.4	1064	142.27	17	1.30	GFF79		0.84	11336	1674	110	1.60	GFA159R99	
7.0	975	130.42	17	1.45			1.1	8858	1308	113	2.00	GFAF159R99	4P
6.2	1105	225.79	17	1.30	GFA79		1.2	7916	1169	114	2.25	GF159R99	
7.0	971	198.31	17	1.45	GFAF79	4P	1.5	6454	953	114	2.75	GFF159R99	
7.4	922	188.40	17	1.55	GF79		1.7	5722	845	114	3.15		
					GFF79		3.1	3020	446	114	5.95		
8.3	815	166.47	18	1.75	GFA79		4.6	2045	302	114	8.65		
9.8	696	142.27	18	2.00	GFAF79	4P	0.69	13781	2035	83	0.85		
11	638	130.42	18	2.20	GF79		0.79	12068	1782	86	1.00	GFA129R79	
12	560	114.45	19	2.50	GFF79		0.87	10869	1605	86	1.10	GFAF129R79	4P
13	531	108.46	19	2.70			1.0	9406	1389	86	1.25	GF129R79	
8.1	810	170.85	9.2	0.90	GFA69		1.1	8255	1219	86	1.45	GFF129R79	
8.6	769	162.31	10	0.95	GFAF69	4P	1.3	7280	1075	86	1.65		
9.8	675	142.40	10	1.10	GF69		1.1	8418	1243	46	0.95		
12	573	120.79	11	1.30	GFF69		1.3	7361	1087	48	1.05	GFA109R79	
13	517	109.04	11	1.45			1.5	6433	950	50	1.20	GFAF109R79	4P
14	455	95.94	12	1.65	GFA69		1.7	5648	834	52	1.40	GF109R79	
15	429	90.59	12	1.75	GFAF69	4P	1.9	4984	736	54	1.55	GFF109R79	
17	378	79.76	12	2.00	GF69		2.2	4334	640	55	1.80		
21	321	67.65	12	2.30	GFF69		2.0	4673	690	26	0.90		
23	290	61.07	12	2.60			2.3	4097	605	29	1.05	GFA99R59	
11	603	127.27	5.0	0.90			2.6	3582	529	30	1.20	GFAF99R59	4P
13	522	110.01	8.9	1.05	GFA59		3.0	3163	467	31	1.35	GF99R59	
15	443	93.47	10	1.25	GFAF59	4P	3.4	2749	406	32	1.55	GFF99R59	
17	396	83.46	10	1.40	GF59		3.9	2458	363	33	1.75		
19	346	72.98	10	1.60	GFF59		3.1	3061	452	16	1.00	GFA89R59	
20	323	68.22	10	1.70			4.1	2336	345	24	1.30	GFAF89R59	4P
24	280	58.97	11	1.95			4.7	2032	300	25	1.50	GF89R59	
28	238	50.10	11	2.30			5.6	1686	249	26	1.80	GFF89R59	
31	212	44.73	11	2.60			2.7	3679	254.40	56	1.95	GFA109	
17	378	79.72	4.8	0.95	GFA49		3.2	3115	215.37	57	2.30	GFAF109	8P
20	323	68.09	6.2	1.15	GFAF49	4P	3.5	2883	199.31	57	2.50	GF109	
21	310	65.36	6.3	1.20	GF49		3.9	2584	178.64	58	2.80	GFF109	
					GFF49		3.3	3035	276.77	31	1.35		
25	268	56.49	6.8	1.35	GFA49		3.6	2779	253.41	32	1.50	GFA99	
29	228	48.00	7.1	1.60	GFAF49	4P	4.1	2455	223.88	33	1.70	GFAF99	6P
32	203	42.86	7.3	1.80	GF49		4.8	2083	189.92	33	2.00	GF99	
38	174	36.61	7.4	2.10	GFF49		5.2	1918	174.87	34	2.20	GFF99	
41	163	34.29	7.5	2.20			5.1	1973	276.77	33	2.10	GFA99	
48	137	28.88	7.2	2.70			5.5	1806	253.41	34	2.30	GFAF99	4P
30	223	47.02	3.4	0.80			6.3	1596	223.88	34	2.60	GF99	
32	208	43.95	3.7	0.90	GFA39							GFF99	
36	182	38.31	4.1	1.00	GFAF39	4P							
39	170	35.91	4.3	1.05	GF39								
44	150	31.69	4.4	1.20	GFF39								
49	133	28.10	4.3	1.35									

**选型参数表
(恒功率)**
**Selection Table
(Constant Power)**

n_a [r/min]	M_a [N.m]	i	F_{Ra} [kN]	f_B	机型号 Type size	极数 Pole	n_a [r/min]	M_a [N.m]	i	F_{Ra} [kN]	f_B	机型号 Type size	极数 Pole
1.1kW							1.1kW						
3.4	2968	270.68	15	0.95			44	226	31.69	3.5	0.85	GFA39	
3.6	2801	255.37	22	1.05	GFA89		50	200	28.10	3.8	0.95	GFAF39	4P
4.0	2511	228.93	23	1.15	GFAF89	6P	59	170	23.88	3.7	1.10	GF39	
4.6	2163	197.20	24	1.35	GF89							GFF39	
5.1	1974	179.97	25	1.45	GFF89		68	147	20.57	3.7	1.30		
5.7	1750	159.61	26	1.65			73	137	19.27	3.6	1.40		
5.2	1930	270.68	25	1.50	GFA89		82	121	17.03	3.6	1.55	GFA39	
5.5	1820	255.37	25	1.55	GFAF89	4P	98	102	14.33	3.5	1.85	GFAF39	4P
6.1	1632	228.93	26	1.75	GF89		109	92	12.87	3.4	2.10	GF39	
7.1	1406	197.20	27	2.00	GFF89		126	79	11.08	3.3	2.30	GFF39	
7.8	1283	179.97	27	2.20	GFA89		134	74	10.42	3.3	2.40		
8.8	1138	159.61	27	2.50	GFAF89	4P	156	64	8.97	3.2	2.60		
10	956	134.16	28	3.00	GF89		1.5kW						
11	879	123.29	28	3.20	GFF89		0.58	22412	2427	82	0.80		
7.1	1414	198.31	15	1.00	GFA79		0.64	20177	2185	90	0.90		
7.4	1343	188.40	15	1.05	GFAF79	4P	0.72	17952	1944	97	1.00		
8.4	1187	166.47	16	1.20	GF79		0.84	15459	1674	102	1.15	GFA159R99	
9.8	1014	142.27	17	1.40	GFF79		1.1	12079	1308	109	1.50	GFAF159R99	4P
11	930	130.42	17	1.55			1.2	10795	1169	111	1.65	GF159R99	
12	816	114.45	18	1.75	GFA79	4P	1.5	8800	953	113	2.05	GFF159R99	
13	773	108.46	18	1.85	GFAF79		1.7	7803	845	114	2.30		
15	677	94.93	18	2.10	GF79		3.1	4119	446	114	4.35		
16	610	85.52	18	2.30	GFF79		4.6	2789	302	114	6.35		
19	535	75.02	19	2.70			0.87	14821	1605	81	0.80		
12	861	120.79	9.0	0.90			1.0	12827	1389	85	0.95		
13	777	109.04	10	1.00			1.1	11257	1219	86	1.05	GFA129R79	
15	684	95.94	11	1.15			1.3	9927	1075	86	1.20	GFAF129R79	4P
15	646	90.59	11	1.20	GFA69		1.5	8579	929	86	1.40	GF129R79	
18	569	79.76	11	1.35	GFAF69	4P	1.7	7563	819	86	1.60	GFF129R79	
21	482	67.65	12	1.60	GF69		1.9	6704	726	86	1.80		
23	435	61.07	12	1.80	GFF69		2.2	5975	647	86	2.05		
26	383	53.73	12	2.00			1.5	8773	950	45	0.90		
28	362	50.74	12	2.20			1.7	7702	834	47	1.00		
32	308	43.20	12	2.50			1.9	6797	736	50	1.15	GFA109R79	
36	280	39.26	12	2.70			2.2	5910	640	52	1.30	GFAF109R79	4P
41	242	34.01	12	2.90			2.5	5171	560	53	1.50	GF109R79	
17	595	83.46	8.0	0.95			2.9	4516	489	55	1.75	GFF109R79	
19	520	72.98	9.1	1.10			3.2	4026	436	55	1.95		
21	486	68.22	9.3	1.15	GFA59		3.8	3417	370	57	2.30		
24	420	58.97	10	1.35	GFAF59	4P	2.6	4885	529	19	0.90	GFA99R59	
28	357	50.10	10	1.60	GF59		3.0	4313	467	28	1.00	GFAF99R59	4P
31	319	44.73	10	1.80	GFF59		3.4	3749	406	30	1.15	GF99R59	
37	272	38.21	10	2.10			3.9	3352	363	31	1.30	GFF99R59	
39	255	35.79	10	2.20			4.7	2770	300	23	1.10	GFA89R59	
46	215	30.15	9.3	2.60			5.6	2299	249	24	1.30	GFAF89R59	4P
25	403	56.49	3.5	0.95	GFA49							GF89R59	
29	342	48.00	6.1	1.10	GFAF49	4P						GFF89R59	
					GF49		2.7	5091	254.40	53	1.50	GFA109	
					GFF49		3.2	4310	215.37	55	1.75	GFAF109	8P
33	306	42.86	6.5	1.25	GFA49	4P	3.4	3989	199.31	55	1.90	GF109	
38	261	36.61	6.9	1.45	GFAF49		3.8	3575	178.64	56	2.10	GFF109	
41	244	34.29	6.9	1.55	GF49		3.7	3683	254.40	56	1.95	GFA109	
48	206	28.88	6.7	1.85	GFF49		4.4	3118	215.37	57	2.30	GFAF109	6P
45	220	30.86	6.8	1.75	GFA49	4P	4.7	2885	199.31	57	2.50	GF109	
48	209	29.32	6.7	1.80	GFAF49		5.3	2586	178.64	58	2.80	GFF109	
54	183	25.72	6.5	2.10	GF49								
64	156	21.82	6.3	2.40	GFF49								
71	140	19.70	6.2	2.70									

**选型参数表
(恒功率)**
**Selection Table
(Constant Power)**

n_a [r/min]	M_a [N.m]	i	F_{Ra} [kN]	f_B	机型号 Type size	极数 Pole	n_a [r/min]	M_a [N.m]	i	F_{Ra} [kN]	f_B	机型号 Type size	极数 Pole																																																																																																																																																																																																																			
 | | | | | | | | | | | | | | | | | | | | | | | | | | | | | | | | | | | | | | | | | | | | | | | | | | | | | | | | | | | | | | | | | | | | | | | | | | | | | | | | | | | | | | | | | | | | | | | | | | | | | | | | | | | | | | | | | | | | | | | | | | | | | | | | | | | | | | | | | | | | | | | | | | | | | | | | | | | | | | | | | | | | | | | | | | | | | | | | | | | |
 | | | | | | | | | | | | | | | | | | | | | | | | | | | | | | | | | | | | | | | | | | | | | | | | | | | | | | | | | | | | | | | | | | | | | | | | | | | | | | | | | | | | | | | | | | | | | | | | | | | | | | | | | | | | | | | | | | | | | | | | | | | | | | | | | | | | | | | | | | | | | | | | | | | | | | | | | | | | | | | | | | | | | | | | | | | |
 | | | | | | | | | | | | | | | | | | | | | | | | | | | | | | | | | | | | | | | | | | | | | | | | | | | | | | | | | | | | | | | | | | | | | | | | | | | | | | | | | | | | | | | | | | | | | | | | | | | | | | | | | | | | | | | | | | | | | | | | | | | | | | | | | | | | | | | | | | | | | | | | | | | | | | | | | | | | | | | | | | | | | | | | | | | |
 | | | | | | | | | | | | | | | | | | | | | | | | | | | | | | | | | | | | | | | | | | | | | | | | | | | | | | | | | | | | | | | | | | | | | | | | | | | | | | | | | | | | | | | | | | | | | | | | | | | | | | | | | | | | | | | | | | | | | | | | | | | | | | | | | | | | | | | | | | | | | | | | | | | | | | | | | | | | | | | | | | | | | | | | | | | | | | | | | | | | | | | | | | | | | | | | | | | | | | | | | | | | | | | | | | | | | | | | | | | | | | | | | |
 | | | | | | | | | | | | | | | | | | | | | | | | | | | | | | | | | | | | | | | | | | |
|------------------|----------------|--------|------------------|-------|--|------------|--|----------------|--|------------------|-------|--|------------|--|-----------|--|-----------|--|--|--|--|--|--|--|--|-----------|--|--|--|--|--|--|--|--|-----------|--|-----------|--------|--|-----------|--|-----------|--|-----------|--|-----------|--|--|--|--|-----------|--|-----------|--------|--|--|--|--|-----------|--|--|--|--|--|--|--|-----------|--|--|--|--|--|--|--|--|--|--|-----------|--|--|--|--|--|--|--|--|--|-----------|--|--|--|-----------|--|--|-----------|--|--|--|--|-----------|--|--|--|--|--|--|--|-----------|--|--|--|--|--|--|--|--|--|--|-----------|--|--|--|--|--|--|--|--|--|-----------|--|--|--|--|--|--|-----------|--|--|--|--|--|--|--|--|--|--|--|--|--|--|--|--|--|--|--|--|--|--|--|--|--|--|--|--|--|--|--|--|--|--|--|--|--|--|--|--|--|--|--|--|-----------|--|--|--|--|--|--|--|--|-----------|--|--|--|--|--|--|-----------|-----------|--|--|-----------|--|--|--|--|--|--|-----------|--|--|--
--|--|--|--|--|--|--|--|--|--|--|--|--|--|--|--|-----------|--|--|--|-----------|--|--|--|--|--|--|-----------|--|--|-----------|--|--|--|--|--|--|--|--|--|-----------|--|--|--|--|-----------|--|--|--|--|--|--|--|--|--|--|--|--|--|--|--|-----------|--|--|--|--|--|--|--|--|--|-----------|--|--|--|--|--|--|--|--|--|--|--|--|--|--|--|--|--|--|--|--|--|--|--|--|--|--|--|-----------|--|--|--|--|--|--|--|--|--|--|--|--|--|--|--|--|--|--|--|--|--|--|--|--|--|--|--|--|--|--|--|--|--|--|--|--|--|--|--|--|--|--|--|--|--|--|--|--|--|--|--|--|--|--|-----------|--|--|--|--|--|--|--|--|--|--|--|--|--|--|--|--|--|--|--|--|--|--|--|--
--	--	--	--	--	--	-----------	--	--	--	--	--	--	-----------	--	--	--	--	--	--	--	--	--	--	--	--	--	-----------	--	--	--	--	--	--	--	--	--	--	--	--	--	--	--	--	-----------	--	--	--	--	--	--	--	--	--	--	--	--	--	--	--	--	--	--	--	--	-----------	--	--	--	--	--	--	--	--	--	--	--	--	--	--	--	--	--	--	--	--	--	--	--	-----------	--	--	--	--	--	--	--	--	--	--	--	--	--	--	--	--	--	--	--	--	--	--	--	--	--	--	--	--	--	--	--	--	--	--	--	--	--	--	--	--	-----------	--	--	--	--	--	--	--	--	--	--	--	--	--	--	--	--	--	--	--	--	--	--	--	--	--	--	--	--	--	--	--	--	--	--	--	--	--	--	--	--
--	-----------	--	--	--	--	--	-----------	--	--	--	--	--	--	--	--	-----------	--	--	--	--	--	--	-----------	--	--	-----------	--	--	--	-----------	--	-----------	--	--	-----------	--	--	-----------	-------	--	--	--	--	--	--	--	--	--	--	--	--	--	--	--	--	--	--	--	--	--	-----------	--	-----------	--	--	--	--	--	-----------	-------	--	--	--	--	-----------	--	--	--	--	-----------	--	--	--	--	--	--	--	-----------	--	--	--	-----------	--	--	--	--	-----------	--	--	-----------	--	--	--	--	--	--	--	-----------	--	--	-----------	-----------	--	--	--	-----------	--	--	-----------	--	--	--	-----------	--	--	--	--	--	-----------	--	--	-----------	--	--	--	-----------	--	--	-----------	--	--	-----------	-----------	--	--	--	--	--	--	-----------	------	--	--	--	-----------	-----------	--	--	--	-----------	--	-----------	-------	------	------	--	--	--	-----------	--
--	-----------	------	--	-----------	------	------	------	--	-----------	------	--	-----------	------	------	--	-----------	-----	------	--	-----------	------	------	------	-----	------	--	--	-----------	-----------	------	-----	----	------	--	-----------	-----	------	-----	----	------	-----	------	-----	----	------	--	-----------	-----	------	-----																																																																																																																								
1.5kW							1.5kW																																																																																																																																																																			
 | | | | | | | | | | | | | | | | | | | | | | | | | | | | | | | | | | | | | | | | | | | | | | | | | | | | | | | | | | | | | | | | | | | | | | | | | | | | | | | | | | | | | | | | | | | | | | | | | | | | | | | | | | | | | | | | | | | | | | | | | | | | | | | | | | | | | | | | | | | | | | | | | | | | | | | | | | | | | | | | | | | | | | | | | | | | | | | | | | | |
 | | | | | | | | | | | | | | | | | | | | | | | | | | | | | | | | | | | | | | | | | | | | | | | | | | | | | | | | | | | | | | | | | | | | | | | | | | | | | | | | | | | | | | | | | | | | | | | | | | | | | | | | | | | | | | | | | | | | | | | | | | | | | | | | | | | | | | | | | | | | | | | | | | | | | | | | | | | | | | | | | | | | | | | | | | | |
 | | | | | | | | | | | | | | | | | | | | | | | | | | | | | | | | | | | | | | | | | | | | | | | | | | | | | | | | | | | | | | | | | | | | | | | | | | | | | | | | | | | | | | | | | | | | | | | | | | | | | | | | | | | | | | | | | | | | | | | | | | | | | | | | | | | | | | | | | | | | | | | | | | | | | | | | | | | | | | | | | | | | | | | | | | | |
 | | | | | | | | | | | | | | | | | | | | | | | | | | | | | | | | | | | | | | | | | | | | | | | | | | | | | | | | | | | | | | | | | | | | | | | | | | | | | | | | | | | | | | | | | | | | | | | | | | | | | | | | | | | | | | | | | | | | | | | | | | | | | | | | | | | | | | | | | | | | | | | | | | | | | | | | | | | | | | | | | | | | | | | | | | | | | | | | | | | | | | | | | | | | | | | | | | | | | | | | | | | | | | | | | | | | | | | | | | | | | | | | | |
 | | | | | | | | | | | | | | | | | | | | | | | | | | | | | | | | | | | | | | | | | | |
| 3.4 | 4007 | 276.77 | 28 | 1.00 | GFA99
GFAF99
GF99
GFF99 | 6P | 33 | 417 | 42.86 | 0.5 | 0.90 | GFA49
GFAF49
GF49
GFF49 | 4P | | | | | | | | | | | | | | | | | | | | | | | | | | | | | | | | | | | | | | | | | | | | | | | | | | | | | | | | | | | | | | | | | | | | | | | | | | | | | | | | | | | | | | | | | | | | | | | | | | | | | | | | | | | | | | | | | | | | | | | | | | | | | | | | | | | | | | | | | | | | | | | | | | | | | | | | | | | | | | | | | | | | | | | | | | | | | | | | | | | | | | | | | | | | | | | | | | | | | | |
 | | | | | | | | | | | | | | | | | | | | | | | | | | | | | | | | | | | | | | | | | | | | | | | | | | | | | | | | | | | | | | | | | | | | | | | | | | | | | | | | | | | | | | | | | | | | | | | | | | | | | | | | | | | | | | | | | | | | | | | | | | | | | | | | | | | | | | | | | | | | | | | | | | | | | | | | | | | | | | | | | | | | | | | | | | | | | | | | | | | |
 | | | | | | | | | | | | | | | | | | | | | | | | | | | | | | | | | | | | | | | | | | | | | | | | | | | | | | | | | | | | | | | | | | | | | | | | | | | | | | | | | | | | | | | | | | | | | | | | | | | | | | | | | | | | | | | | | | | | | | | | | | | | | | | | | | | | | | | | | | | | | | | | | | | | | | | | | | | | | | | | | | | | | | | | | | | |
 | | | | | | | | | | | | | | | | | | | | | | | | | | | | | | | | | | | | | | | | | | | | | | | | | | | | | | | | | | | | | | | | | | | | | | | | | | | | | | | | | | | | | | | | | | | | | | | | | | | | | | | | | | | | | | | | | | | | | | | | | | | | | | | | | | | | | | | | | | | | | | | | | | | | | | | | | | | | | | | | | | | | | | | | | | | |
 | | | | | | | | | | | | | | | | | | | | | | | | | | | | | | | | | | | | | | | | | | | | | | | | | | | | | | | | | | | | | | | | | | | | | | | | | | | | | | | | | | | | | | | | | | | | | | | | | | | | | | | | | | | | | | | | | | | | | | | | | | | | | | | | | | | | | | | | | | | | | | | | | | | | | | | | | | | | | | | | | | | | | | | | | | | | | | | | | | | | | | | | | | | | | | | | | | | | | | | | | | | | | | | | | | | | | | | | | | | | | | | | | |
 | | | | | | | | | | | | | | | | | | | | | | | | | | | | | | | | | | | | | | | | | | |
| 3.7 | 3669 | 253.41 | 29 | 1.10 | | | 4.2 | 3241 | 223.88 | 30 | 1.25 | | | 4.9 | 2750 | 189.92 | 32 | 1.45 | 5.4 | 2532 | 174.87 | 32 | 1.60 | 5.1 | 2690 | 276.77 | 32 | 1.55 | GFA99
GFAF99
GF99
GFF99 | 4P | 45 | 300 | 30.86 | 6.2 | 1.30 | GFA49
GFAF49
GF49
GFF49 | 4P | 5.5 | 2463 | 253.41 | 33 | 1.65 | 6.3 | 2176 | 223.88 | 33 | 1.90 | 7.4 | 1846 | 189.92 | 34 | 2.20 | 8.0 | 1700 | 174.87 | 34 | 2.40 | 5.2 | 2631 | 270.68 | 23 | 1.10 | GFA89
GFAF89
GF89
GFF89 | 4P | 48 | 285 | 29.32 | 6.2 | 1.35 | GFA49
GFAF49
GF49
GFF49 | 4P | 5.5 | 2482 | 255.37 | 23 | 1.15 | 6.1 | 2225 | 228.93 | 24 | 1.30 | 7.1 | 1917 | 197.20 | 25 | 1.50 | 7.8 | 1749 | 179.97 | 26 | 1.65 | 8.8 | 1551 | 159.61 | 26 | 1.85 | GFA89
GFAF89
GF89
GFF89 | 4P | 54 | 250 | 25.72 | 6.1 | 1.55 | GFA39
GFAF39
GF39
GFF39 | 4P | 10 | 1304 | 134.16 | 27 | 2.20 | 13 | 1064 | 109.49 | 27 | 2.70 | 14 | 952 | 97.89 | 28 | 3.00 | 8.4 | 1618 | 166.47 | 14 | 0.90 | GFA79
GFAF79
GF79
GFF79 | 4P | 64 | 212 | 21.82 | 5.9 | 1.80 | GFA49
GFAF49
GF49
GFF49 | 4P | 9.8 | 1383 | 142.27 | 15 | 1.05 | 11 | 1268 | 130.42 | 16 | 1.15 | 12 | 1113 | 114.45 | 17 | 1.30 | 13 | 1054 | 108.46 | 17 | 1.35 | GFA79
GFAF79
GF79
GFF79 | 4P | 68 | 200 | 20.57 | 3.2 | 0.95 | GFA39
GFAF39
GF39
GFF39 | 4P | 15 | 923 | 94.93 | 17 | 1.55 | 16 | 831 | 85.52 | 18 | 1.75 | 19 | 729 | 75.02 | 18 | 1.95 | 19 | 705 | 72.50 | 18 | 2.00 | GFA79
GFAF79
GF79
GFF79 | 4P | 73 | 187 | 19.27 | 3.2 | 1.00 | GFA159R99
GFAF159R99
GF159R99
GFF159R99 | 4P | 21 | 646 | 66.46 | 18 | 2.20 | 24 | 567 | 58.32 | 19 | 2.50 | 25 | 537 | 55.27 | 19 | 2.70 | 29 | 470 | 48.37 | 19 | 3.00
 | GFA79
GFAF79
GF79
GFF79 | 4P | 82 | 166 | 17.03 | 3.2 | 1.15 | GFA159R99
GFAF159R99
GF159R99
GFF159R99 | 4P | 32 | 424 | 43.58 | 19 | 3.40 | 37 | 372 | 38.23 | 19 | 3.90 | 38 | 356 | 36.58 | 19 | 3.00 | GFA79
GFAF79
GF79
GFF79 | 4P | 88 | 159 | 16.36 | 5.6 | 2.40 | GFA159R99
GFAF159R99
GF159R99
GFF159R99 | 4P | 44 | 306 | 31.51 | 19 | 4.30 | 15 | 881 | 90.59 | 8.8 | 0.90 | GFA79
GFAF79
GF79
GFF79 | 4P | 86 | 135 | 13.93 | 5.4 | 2.80 | GFA159R99
GFAF159R99
GF159R99
GFF159R99 | 4P | 18 | 775 | 79.76 | 10 | 1.00 | 21 | 658 | 67.65 | 11 | 1.20 | GFA79
GFAF79
GF79
GFF79 | 4P | 82 | 166 | 17.03 | 3.2 | 1.15 | GFA39
GFAF39
GF39
GFF39 | 4P | 23 | 594 | 61.07 | 11 | 1.30 | 26 | 522 | 53.73 | 12 | 1.50 | GFA79
GFAF79
GF79
GFF79 | 4P | 98 | 139 | 14.33 | 3.2 | 1.35 | GFA159R99
GFAF159R99
GF159R99
GFF159R99 | 4P | 28 | 493 | 50.74 | 12 | 1.60 | 32 | 420 | 43.20 | 12 | 1.85 | GFA79
GFAF79
GF79
GFF79 | 4P | 109 | 125 | 12.87 | 3.1 | 1.55 | GFA159R99
GFAF159R99
GF159R99
GFF159R99 | 4P | 36 | 382 | 39.26 | 12 | 1.95 | 39 | 353 | 36.30 | 12 | 2.20 | GFA79
GFAF79
GF79
GFF79 | 4P | 126 | 108 | 11.08 | 3.1 | 1.70 | GFA159R99
GFAF159R99
GF159R99
GFF159R99 | 4P | 44 | 312 | 32.08 | 12 | 2.50 | 51 | 266 | 27.41 | 12 | 2.90 | GFA79
GFAF79
GF79
GFF79 | 4P | 134 | 101 | 10.42 | 3.1 | 1.75 | GFA159R99
GFAF159R99
GF159R99
GFF159R99 | 4P | 56 | 244 | 25.13 | 12 | 3.20 | 24 | 573 | 58.97 | 8.7 | 1.00 | GFA79
GFAF79
GF79
GFF79 | 4P | 156 | 87 | 8.97 | 3.0 | 1.90 | GFA159R99
GFAF159R99
GF159R99
GFF159R99 | 4P | 28 | 487 | 50.10 | 9.4 | 1.20 | 31 | 435 | 44.73 | 9.5 | 1.30 | GFA79
GFAF79
GF79
GFF79 | 4P | 174 | 78
 | 8.03 | 2.9 | 2.10 | GFA159R99
GFAF159R99
GF159R99
GFF159R99 | 4P | 37 | 371 | 38.21 | 9.3 | 1.55 | 39 | 348 | 35.79 | 9.1 | 1.65 | GFA79
GFAF79
GF79
GFF79 | 4P | 0.99 | 19107 | 1441 | 93 | 0.95 | GFA159R99
GFAF159R99
GF159R99
GFF159R99 | 4P | 46 | 293 | 30.15 | 8.8 | 1.95 | 5.0 | 3779 | 285 | 30 | 1.15 | GFA159R99
GFAF159R99
GF159R99
GFF159R99 | 4P | 1.1 | 17344 | 1308 | 96 | 1.05 | GFA129R79
GFAF129R79
GF129R79
GFF129R79 | 4P | 5.8 | 3249 | 245 | 31 | 1.30 | 1.2 | 15501 | 1169 | 101 | 1.15 | GFA159R99
GFAF159R99
GF159R99
GFF159R99 | 4P | 1.5 | 12637 | 953 | 107 | 1.40 | GFA129R79
GFAF129R79
GF129R79
GFF129R79 | 4P | 1.7 | 11205 | 845 | 110 | 1.60 | 1.9 | 10130 | 764 | 111 | 1.75 | GFA159R99
GFAF159R99
GF159R99
GFF159R99 | 4P | 1.7 | 10860 | 819 | 86 | 1.10 | GFA109R79
GFAF109R79
GF109R79
GFF109R79 | 4P | 2.1 | 9017 | 680 | 113 | 1.95 | 2.5 | 7638 | 576 | 114 | 2.30 | GFA159R99
GFAF159R99
GF159R99
GFF159R99 | 4P | 2.0 | 9627 | 726 | 86 | 1.25 | GFA129R79
GFAF129R79
GF129R79
GFF129R79 | 4P | 3.2 | 5914 | 446 | 114 | 3.00 | 4.7 | 4004 | 302 | 114 | 4.40 | GFA159R99
GFAF159R99
GF159R99
GFF159R99 | 4P | 2.2 | 8579 | 647 | 86 | 1.40 | GFA109R79
GFAF109R79
GF109R79
GFF109R79 | 4P | 5.2 | 3620 | 273 | 114 | 4.85 | 6.2 | 3076 | 232 | 114 | 5.70 | GFA159R99
GFAF159R99
GF159R99
GFF159R99 | 4P | 2.6 | 7266 | 548 | 86 | 1.65 | GFA109R79
GFAF109R79
GF109R79
GFF109R79 | 4P | 7.3 | 2612 | 197 | 114 | 6.90 | 1.3 | 14254 | 1075 | 81 | 0.85 | GFA159R99
GFAF159R99
GF159R99
GFF159R99 | 4P | 2.9 | 6550 | 494 | 86 | 1.80 | GFA109R79
GFAF109R79
GF109R79
GFF109R79 | 4P | 1.5 | 12318 | 929 | 85 | 1.00 | 1.7 | 10860 | 819 | 86 | 1.10 | GFA159R99
GFAF159R99
GF159R99
GFF159R99 | 4P | 3.3 | 5675 | 428
 | 86 | 2.10 | GFA109R79
GFAF109R79
GF109R79
GFF109R79 | 4P | 2.0 | 9627 | 726 | 86 | 1.25 | 2.2 | 8579 | 647 | 86 | 1.40 | GFA159R99
GFAF159R99
GF159R99
GFF159R99 | 4P | 2.2 | 8486 | 640 | 45 | 0.90 | GFA99R59
GFAF99R59
GF99R59
GFF99R59 | 4P | 2.6 | 7266 | 548 | 86 | 1.65 | 2.9 | 6550 | 494 | 86 | 1.80 | GFA159R99
GFAF159R99
GF159R99
GFF159R99 | 4P | 2.6 | 7425 | 560 | 48 | 1.05 | GFA109R79
GFAF109R79
GF109R79
GFF109R79 | 4P | 3.3 | 5675 | 428 | 86 | 2.10 | 3.3 | 5781 | 436 | 51 | 1.35 | GFA159R99
GFAF159R99
GF159R99
GFF159R99 | 4P | 2.9 | 6484 | 489 | 50 | 1.20 | GFA109R79
GFAF109R79
GF109R79
GFF109R79 | 4P | 3.9 | 4906 | 370 | 53 | 1.60 | 4.3 | 4416 | 333 | 54 | 1.75 | GFA159R99
GFAF159R99
GF159R99
GFF159R99 | 4P | 3.9 | 4906 | 370 | 53 | 1.60 | GFA109R79
GFAF109R79
GF109R79
GFF109R79 | 4P | 5.0 | 3779 | 285 | 30 | 1.15 | 5.8 | 3249 | 245 | 31 | 1.30 | GFA159R99
GFAF159R99
GF159R99
GFF159R99 | 4P | 4.3 | 4416 | 333 | 54 | 1.75 | GFA99R59
GFAF99R59
GF99R59
GFF99R59 | 4P | | | | | | | | | | | | | | | | | | | | | | | | | | | | | | | | | | | | | | | | | | | | | | | | | | | | | | | | | | | | | | | | | | | | | | | | | | | | | | | | | | | | | | | | | | | | | | | | | | | | | | | | | | | | | | | | | | | | | | | | | | | | | | |
 | | | | | | | | | | | | | | | | | | | | | | | | | | | | | | | | | | | | | | | | | | | | | | | | | | | | | | | | | | | | | | | | | | | | | | | | | | | | | | | | | | | | | | | | | | | | | | | | | | | | | | | | | | | | | | | | | | | | | | | | | | | | | | | | | | | | | | | | | | | | | | | | | | | | | | | | | | | | | | | | | | | | | | | | | | | | | | | | | | | | | | | | | | | | | | | | | | | | | | | | | | | | | | | | | | | | | | | | | | | | | | | | | |
 | | | | | | | | | | | | | | | | | | | | | | | | | | | | | | | | | | | | | | | | | | |
| 4.2 | 3241 | 223.88 | 30 | 1.25 | | | 4.9 | 2750 | 189.92 | 32 | 1.45 | | | 5.4 | 2532 | 174.87 | 32 | 1.60 | 5.1 | 2690 | 276.77 | 32 | 1.55 | GFA99
GFAF99
GF99
GFF99 | 4P | 45 | 300 | 30.86 | | | 6.2 | 1.30 | GFA49
GFAF49
GF49
GFF49 | 4P | 5.5 | | | 2463 | 253.41 | 33 | 1.65 | 6.3 | 2176 | 223.88 | 33 | 1.90 | 7.4 | 1846 | 189.92 | 34 | 2.20 | 8.0 | 1700 | 174.87 | 34 | 2.40 | 5.2 | 2631 | 270.68 | 23 | 1.10 | GFA89
GFAF89
GF89
GFF89 | | | 4P | 48 | 285 | 29.32 | 6.2 | | | 1.35 | GFA49
GFAF49
GF49
GFF49 | 4P | 5.5 | 2482 | 255.37 | 23 | 1.15 | 6.1 | 2225 | 228.93 | 24 | 1.30 | 7.1 | 1917 | 197.20 | 25 | 1.50 | 7.8 | 1749 | 179.97 | 26 | 1.65 | 8.8 | 1551 | | | 159.61 | 26 | 1.85 | GFA89
GFAF89
GF89
GFF89 | 4P | | | 54 | 250 | 25.72 | 6.1 | 1.55 | GFA39
GFAF39
GF39
GFF39 | 4P | 10 | 1304 | 134.16 | 27 | 2.20 | 13 | 1064 | 109.49 | 27 | 2.70 | 14 | 952 | 97.89 | | | 28 | 3.00 | 8.4 | 1618 | 166.47 | | | 14 | 0.90 | GFA79
GFAF79
GF79
GFF79 | 4P | 64 | 212 | 21.82 | 5.9 | 1.80 | GFA49
GFAF49
GF49
GFF49 | 4P | 9.8 | 1383 | 142.27 | 15 | 1.05 | 11 | 1268 | 130.42 | 16 | | | 1.15 | 12 | 1113 | 114.45 | 17 | | | 1.30 | 13 | 1054 | 108.46 | 17 | 1.35 | GFA79
GFAF79
GF79
GFF79 | 4P | 68 | 200 | 20.57 | 3.2 | 0.95 | GFA39
GFAF39
GF39
GFF39 | 4P | 15 | 923 | 94.93 | 17 | 1.55 | | | 16 | 831 | 85.52 | 18 | 1.75 | | | 19 | 729 | 75.02 | 18 | 1.95 | 19 | 705 | 72.50 | 18 | 2.00 | GFA79
GFAF79
GF79
GFF79 | 4P | 73 | 187 | 19.27 | 3.2 | 1.00 | GFA159R99
GFAF159R99
GF159R99
GFF159R99 | 4P | 21
 | | | 646 | 66.46 | 18 | 2.20 | 24 | | | 567 | 58.32 | 19 | 2.50 | 25 | 537 | 55.27 | 19 | 2.70 | 29 | 470 | 48.37 | 19 | 3.00 | GFA79
GFAF79
GF79
GFF79 | | | 4P | 82 | 166 | 17.03 | 3.2 | | | 1.15 | GFA159R99
GFAF159R99
GF159R99
GFF159R99 | 4P | 32 | 424 | 43.58 | 19 | 3.40 | 37 | 372 | | | 38.23 | 19 | 3.90 | 38 | 356 | | | 36.58 | 19 | 3.00 | GFA79
GFAF79
GF79
GFF79 | 4P | 88 | 159 | 16.36 | 5.6 | 2.40 | | | GFA159R99
GFAF159R99
GF159R99
GFF159R99 | 4P | 44 | 306 | 31.51 | | | 19 | 4.30 | 15 | 881 | 90.59 | 8.8 | 0.90 | GFA79
GFAF79
GF79
GFF79 | 4P | 86 | | | 135 | 13.93 | 5.4 | 2.80 | GFA159R99
GFAF159R99
GF159R99
GFF159R99 | | | 4P | 18 | 775 | 79.76 | 10 | 1.00 | 21 | 658 | 67.65 | 11 | | | 1.20 | GFA79
GFAF79
GF79
GFF79 | 4P | 82 | 166 | | | 17.03 | 3.2 | 1.15 | GFA39
GFAF39
GF39
GFF39 | 4P | 23 | 594 | 61.07 | 11 | 1.30 | | | 26 | 522 | 53.73 | 12 | 1.50 | | | GFA79
GFAF79
GF79
GFF79 | 4P | 98 | 139 | 14.33 | 3.2 | 1.35 | GFA159R99
GFAF159R99
GF159R99
GFF159R99 | 4P | 28 | | | 493 | 50.74 | 12 | 1.60 | 32 | | | 420 | 43.20 | 12 | 1.85 | GFA79
GFAF79
GF79
GFF79 | 4P | 109 | 125 | 12.87 | 3.1 | | | 1.55 | GFA159R99
GFAF159R99
GF159R99
GFF159R99 | 4P | 36 | 382 | | | 39.26 | 12 | 1.95 | 39 | 353 | 36.30 | 12 | 2.20 | GFA79
GFAF79
GF79
GFF79 | 4P | | | 126 | 108
 | 11.08 | 3.1 | 1.70 | | | GFA159R99
GFAF159R99
GF159R99
GFF159R99 | 4P | 44 | 312 | 32.08 | 12 | 2.50 | 51 | 266 | 27.41 | | | 12 | 2.90 | GFA79
GFAF79
GF79
GFF79 | 4P | 134 | | | 101 | 10.42 | 3.1 | 1.75 | GFA159R99
GFAF159R99
GF159R99
GFF159R99 | 4P | 56 | 244 | 25.13 | 12 | | | 3.20 | 24 | 573 | 58.97 | 8.7 | | | 1.00 | GFA79
GFAF79
GF79
GFF79 | 4P | 156 | 87 | 8.97 | 3.0 | 1.90 | GFA159R99
GFAF159R99
GF159R99
GFF159R99 | 4P | | | 28 | 487 | 50.10 | 9.4 | 1.20 | | | 31 | 435 | 44.73 | 9.5 | 1.30 | GFA79
GFAF79
GF79
GFF79 | 4P | 174 | 78 | 8.03 | | | 2.9 | 2.10 | GFA159R99
GFAF159R99
GF159R99
GFF159R99 | 4P | 37 | | | 371 | 38.21 | 9.3 | 1.55 | 39 | 348 | 35.79 | 9.1 | 1.65 | GFA79
GFAF79
GF79
GFF79 | | | 4P | 0.99 | 19107 | 1441 | 93 | | | 0.95 | GFA159R99
GFAF159R99
GF159R99
GFF159R99 | 4P | 46 | 293 | 30.15 | 8.8 | 1.95 | 5.0 | 3779 | | | 285 | 30 | 1.15 | GFA159R99
GFAF159R99
GF159R99
GFF159R99 | 4P | | | 1.1 | 17344 | 1308 | 96 | 1.05 | GFA129R79
GFAF129R79
GF129R79
GFF129R79 | 4P | 5.8 | 3249 | 245 | | | 31 | 1.30 | 1.2 | 15501 | 1169 | | | 101 | 1.15 | GFA159R99
GFAF159R99
GF159R99
GFF159R99 | 4P | 1.5 | 12637 | 953 | 107 | 1.40 | GFA129R79
GFAF129R79
GF129R79
GFF129R79 | | | 4P | 1.7 | 11205 | 845 | 110 | | | 1.60 | 1.9 | 10130 | 764 | 111 | 1.75 | GFA159R99
GFAF159R99
GF159R99
GFF159R99 | 4P | 1.7 | 10860 | | | 819 | 86 | 1.10
 | GFA109R79
GFAF109R79
GF109R79
GFF109R79 | 4P | | | 2.1 | 9017 | 680 | 113 | 1.95 | 2.5 | 7638 | 576 | 114 | 2.30 | | | GFA159R99
GFAF159R99
GF159R99
GFF159R99 | 4P | 2.0 | 9627 | 726 | | | 86 | 1.25 | GFA129R79
GFAF129R79
GF129R79
GFF129R79 | 4P | 3.2 | 5914 | 446 | 114 | 3.00 | 4.7 | | | 4004 | 302 | 114 | 4.40 | GFA159R99
GFAF159R99
GF159R99
GFF159R99 | | | 4P | 2.2 | 8579 | 647 | 86 | 1.40 | GFA109R79
GFAF109R79
GF109R79
GFF109R79 | 4P | 5.2 | 3620 | | | 273 | 114 | 4.85 | 6.2 | 3076 | | | 232 | 114 | 5.70 | GFA159R99
GFAF159R99
GF159R99
GFF159R99 | 4P | 2.6 | 7266 | 548 | 86 | 1.65 | | | GFA109R79
GFAF109R79
GF109R79
GFF109R79 | 4P | 7.3 | 2612 | 197 | | | 114 | 6.90 | 1.3 | 14254 | 1075 | 81 | 0.85 | GFA159R99
GFAF159R99
GF159R99
GFF159R99 | 4P | 2.9 | | | 6550 | 494 | 86 | 1.80 | GFA109R79
GFAF109R79
GF109R79
GFF109R79 | | | 4P | 1.5 | 12318 | 929 | 85 | 1.00 | 1.7 | 10860 | 819 | 86 | 1.10 | GFA159R99
GFAF159R99
GF159R99
GFF159R99 | 4P | 3.3 | 5675 | 428 | 86 | 2.10 | GFA109R79
GFAF109R79
GF109R79
GFF109R79 | 4P | 2.0 | 9627 | 726 | 86 | 1.25 | 2.2 | 8579 | 647 | 86 | 1.40 | GFA159R99
GFAF159R99
GF159R99
GFF159R99 | 4P | 2.2 | 8486 | 640 | 45 | 0.90 | GFA99R59
GFAF99R59
GF99R59
GFF99R59 | 4P | 2.6 | 7266 | 548 | 86 | 1.65 | 2.9 | 6550 | 494 | 86 | 1.80 | GFA159R99
GFAF159R99
GF159R99
GFF159R99 | 4P | 2.6 | 7425 | 560 | 48 | 1.05 | GFA109R79
GFAF109R79
GF109R79
GFF109R79 | 4P | 3.3 | 5675 | 428 | 86 | 2.10 | 3.3 | 5781 | 436 | 51 | 1.35 | GFA159R99
GFAF159R99
GF159R99
GFF159R99 | 4P | 2.9 | 6484 | 489
 | 50 | 1.20 | GFA109R79
GFAF109R79
GF109R79
GFF109R79 | 4P | 3.9 | 4906 | 370 | 53 | 1.60 | 4.3 | 4416 | 333 | 54 | 1.75 | GFA159R99
GFAF159R99
GF159R99
GFF159R99 | 4P | 3.9 | 4906 | 370 | 53 | 1.60 | GFA109R79
GFAF109R79
GF109R79
GFF109R79 | 4P | 5.0 | 3779 | 285 | 30 | 1.15 | 5.8 | 3249 | 245 | 31 | 1.30 | GFA159R99
GFAF159R99
GF159R99
GFF159R99 | 4P | 4.3 | 4416 | 333 | 54 | 1.75 | GFA99R59
GFAF99R59
GF99R59
GFF99R59 | 4P | | | | | | | | | | | | | | | | | | | | | | | | | | | | | | | | | | | | | | | | | | | | | | | | | | | | | | | | | | | | | | | | | | | | | | | | | | | | | | | | | | | | | | | | | | | | | | | | | | | | | | | | | | | | | | | | | | | | | | | | | | | | | | | | | | | | | | | | | | | | | | | | | | | | | | | | | | | | | | | | | | | | | | | | | | | | | | | | | | | | | | | |
 | | | | | | | | | | | | | | | | | | | | | | | | | | | | | | | | | | | | | | | | | | |
| 4.9 | 2750 | 189.92 | 32 | 1.45 | | | 5.4 | 2532 | 174.87 | 32 | 1.60 | | | 5.1 | 2690 | 276.77 | 32 | 1.55 | GFA99
GFAF99
GF99
GFF99 | 4P | 45 | 300 | 30.86 | | | 6.2 | 1.30 | GFA49
GFAF49
GF49
GFF49 | | | 4P | 5.5 | | | 2463 | | | 253.41 | 33 | 1.65 | 6.3 | 2176 | 223.88 | 33 | 1.90 | 7.4 | 1846 | 189.92 | 34 | 2.20 | 8.0 | 1700 | 174.87 | 34 | 2.40 | 5.2 | 2631 | 270.68 | 23 | 1.10 | GFA89
GFAF89
GF89
GFF89 | | | | | 4P | 48 | 285 | 29.32 | | | 6.2 | | | 1.35 | GFA49
GFAF49
GF49
GFF49 | 4P | 5.5 | 2482 | 255.37 | 23 | 1.15 | 6.1 | 2225 | 228.93 | 24 | 1.30 | 7.1 | 1917 | 197.20 | 25 | 1.50 | 7.8 | 1749 | 179.97 | 26 | | | 1.65 | 8.8 | 1551 | | | | | 159.61 | 26 | 1.85 | GFA89
GFAF89
GF89
GFF89 | 4P | | | 54 | 250 | 25.72 | 6.1 | 1.55 | GFA39
GFAF39
GF39
GFF39 | 4P | 10 | 1304 | 134.16 | 27 | 2.20 | 13 | | | 1064 | 109.49 | 27 | 2.70 | 14 | | | 952 | 97.89 | | | 28 | 3.00 | 8.4 | 1618 | 166.47 | | | 14 | 0.90 | GFA79
GFAF79
GF79
GFF79 | 4P | 64 | 212 | 21.82 | 5.9 | 1.80 | | | GFA49
GFAF49
GF49
GFF49 | 4P | 9.8 | 1383 | 142.27 | | | 15 | 1.05 | 11 | 1268 | 130.42 | 16 | | | 1.15 | 12 | 1113 | 114.45 | 17 | | | 1.30 | 13 | 1054 | 108.46 | 17 | | | 1.35 | GFA79
GFAF79
GF79
GFF79 | 4P | 68 | 200 | | | 20.57 | 3.2 | 0.95 | GFA39
GFAF39
GF39
GFF39 | 4P | 15 | 923 | 94.93 | 17 | 1.55 | | | 16 | 831 | 85.52 | 18 | 1.75 | | | 19
 | | | 729 | 75.02 | 18 | 1.95 | 19 | | | 705 | 72.50 | 18 | 2.00 | GFA79
GFAF79
GF79
GFF79 | 4P | 73 | 187 | 19.27 | 3.2 | 1.00 | GFA159R99
GFAF159R99
GF159R99
GFF159R99 | 4P | 21 | | | | | 646 | 66.46 | 18 | 2.20 | | | 24 | | | 567 | 58.32 | 19 | 2.50 | 25 | 537 | 55.27 | | | 19 | 2.70 | 29 | 470 | 48.37 | | | 19 | 3.00 | GFA79
GFAF79
GF79
GFF79 | | | 4P | 82 | 166 | 17.03 | 3.2 | | | | | 1.15 | GFA159R99
GFAF159R99
GF159R99
GFF159R99 | 4P | | | 32 | 424 | 43.58 | 19 | 3.40 | 37 | 372 | | | 38.23 | | | 19 | 3.90 | 38 | 356 | | | | | 36.58 | 19 | 3.00 | GFA79
GFAF79
GF79
GFF79 | 4P | 88 | 159 | 16.36 | 5.6 | | | 2.40 | | | GFA159R99
GFAF159R99
GF159R99
GFF159R99 | 4P | | | 44 | 306 | 31.51 | | | 19 | 4.30 | 15 | 881 | 90.59 | | | 8.8 | 0.90 | GFA79
GFAF79
GF79
GFF79 | 4P | 86 | | | | | 135 | 13.93 | 5.4 | 2.80 | GFA159R99
GFAF159R99
GF159R99
GFF159R99 | | | 4P | | | 18 | 775 | 79.76 | 10 | 1.00 | | | 21 | 658 | 67.65 | 11 | | | 1.20 | GFA79
GFAF79
GF79
GFF79 | 4P | 82 | | | 166 | | | 17.03 | 3.2 | | | 1.15 | GFA39
GFAF39
GF39
GFF39 | 4P | 23 | 594 | 61.07 | 11 | 1.30 | | | | | 26 | 522
 | 53.73 | 12 | 1.50 | | | | | GFA79
GFAF79
GF79
GFF79 | 4P | 98 | 139 | 14.33 | 3.2 | 1.35 | GFA159R99
GFAF159R99
GF159R99
GFF159R99 | | | 4P | 28 | | | 493 | | | 50.74 | 12 | 1.60 | 32 | | | 420 | 43.20 | 12 | 1.85 | | | GFA79
GFAF79
GF79
GFF79 | 4P | 109 | 125 | 12.87 | | | 3.1 | | | 1.55 | GFA159R99
GFAF159R99
GF159R99
GFF159R99 | 4P | 36 | 382 | | | | | 39.26 | 12 | 1.95 | 39 | 353 | | | 36.30 | 12 | 2.20 | GFA79
GFAF79
GF79
GFF79 | 4P | | | 126 | 108 | 11.08 | | | 3.1 | 1.70 | | | GFA159R99
GFAF159R99
GF159R99
GFF159R99 | | | 4P | 44 | 312 | 32.08 | 12 | 2.50 | 51 | 266 | 27.41 | | | | | 12 | 2.90 | GFA79
GFAF79
GF79
GFF79 | 4P | | | 134 | | | 101 | 10.42 | 3.1 | 1.75 | GFA159R99
GFAF159R99
GF159R99
GFF159R99 | 4P | 56 | | | 244 | 25.13 | 12 | | | | | 3.20 | 24 | 573 | 58.97 | 8.7 | | | 1.00 | GFA79
GFAF79
GF79
GFF79 | 4P | | | 156 | 87 | 8.97 | 3.0 | 1.90 | | | GFA159R99
GFAF159R99
GF159R99
GFF159R99 | 4P | | | 28 | 487 | 50.10 | 9.4 | 1.20 | | | | | 31 | 435 | 44.73 | 9.5 | | | 1.30 | GFA79
GFAF79
GF79
GFF79 | 4P | 174 | 78 | 8.03 | | | 2.9 | 2.10 | | | GFA159R99
GFAF159R99
GF159R99
GFF159R99 | 4P | 37
 | | | | | 371 | 38.21 | 9.3 | 1.55 | 39 | 348 | 35.79 | 9.1 | 1.65 | GFA79
GFAF79
GF79
GFF79 | | | | | 4P | 0.99 | 19107 | | | 1441 | 93 | | | 0.95 | GFA159R99
GFAF159R99
GF159R99
GFF159R99 | 4P | 46 | 293 | 30.15 | | | 8.8 | 1.95 | 5.0 | 3779 | | | | | 285 | 30 | 1.15 | GFA159R99
GFAF159R99
GF159R99
GFF159R99 | 4P | | | 1.1 | 17344 | | | 1308 | 96 | 1.05 | GFA129R79
GFAF129R79
GF129R79
GFF129R79 | 4P | | | 5.8 | 3249 | 245 | | | 31 | 1.30 | 1.2 | 15501 | 1169 | | | | | 101 | 1.15 | GFA159R99
GFAF159R99
GF159R99
GFF159R99 | | | 4P | 1.5 | 12637 | 953 | 107 | 1.40 | GFA129R79
GFAF129R79
GF129R79
GFF129R79 | | | 4P | | | 1.7 | 11205 | 845 | 110 | | | | | 1.60 | 1.9 | 10130 | 764 | 111 | 1.75 | GFA159R99
GFAF159R99
GF159R99
GFF159R99 | 4P | 1.7 | 10860 | | | 819 | 86 | 1.10 | GFA109R79
GFAF109R79
GF109R79
GFF109R79 | 4P | | | 2.1 | 9017 | 680 | 113 | 1.95 | 2.5 | 7638 | 576 | 114 | 2.30 | | | GFA159R99
GFAF159R99
GF159R99
GFF159R99 | 4P | 2.0 | 9627 | 726 | | | 86 | 1.25 | GFA129R79
GFAF129R79
GF129R79
GFF129R79 | 4P | 3.2 | 5914 | 446 | 114 | 3.00 | 4.7 | | | 4004 | 302 | 114 | 4.40 | GFA159R99
GFAF159R99
GF159R99
GFF159R99 | | | 4P | 2.2 | 8579 | 647 | 86 | 1.40 | GFA109R79
GFAF109R79
GF109R79
GFF109R79 | 4P | 5.2 | 3620 | | | 273 | 114 | 4.85
 | 6.2 | 3076 | | | 232 | 114 | 5.70 | GFA159R99
GFAF159R99
GF159R99
GFF159R99 | 4P | 2.6 | 7266 | 548 | 86 | 1.65 | | | GFA109R79
GFAF109R79
GF109R79
GFF109R79 | 4P | 7.3 | 2612 | 197 | | | 114 | 6.90 | 1.3 | 14254 | 1075 | 81 | 0.85 | GFA159R99
GFAF159R99
GF159R99
GFF159R99 | 4P | 2.9 | | | 6550 | 494 | 86 | 1.80 | GFA109R79
GFAF109R79
GF109R79
GFF109R79 | | | 4P | 1.5 | 12318 | 929 | 85 | 1.00 | 1.7 | 10860 | 819 | 86 | 1.10 | GFA159R99
GFAF159R99
GF159R99
GFF159R99 | 4P | 3.3 | 5675 | 428 | 86 | 2.10 | GFA109R79
GFAF109R79
GF109R79
GFF109R79 | 4P | 2.0 | 9627 | 726 | 86 | 1.25 | 2.2 | 8579 | 647 | 86 | 1.40 | GFA159R99
GFAF159R99
GF159R99
GFF159R99 | 4P | 2.2 | 8486 | 640 | 45 | 0.90 | GFA99R59
GFAF99R59
GF99R59
GFF99R59 | 4P | 2.6 | 7266 | 548 | 86 | 1.65 | 2.9 | 6550 | 494 | 86 | 1.80 | GFA159R99
GFAF159R99
GF159R99
GFF159R99 | 4P | 2.6 | 7425 | 560 | 48 | 1.05 | GFA109R79
GFAF109R79
GF109R79
GFF109R79 | 4P | 3.3 | 5675 | 428 | 86 | 2.10 | 3.3 | 5781 | 436 | 51 | 1.35 | GFA159R99
GFAF159R99
GF159R99
GFF159R99 | 4P | 2.9 | 6484 | 489 | 50 | 1.20 | GFA109R79
GFAF109R79
GF109R79
GFF109R79 | 4P | 3.9 | 4906 | 370 | 53 | 1.60 | 4.3 | 4416 | 333 | 54 | 1.75 | GFA159R99
GFAF159R99
GF159R99
GFF159R99 | 4P | 3.9 | 4906 | 370 | 53 | 1.60 | GFA109R79
GFAF109R79
GF109R79
GFF109R79 | 4P | 5.0 | 3779 | 285 | 30 | 1.15 | 5.8 | 3249 | 245 | 31 | 1.30 | GFA159R99
GFAF159R99
GF159R99
GFF159R99 | 4P | 4.3 | 4416 | 333 | 54 | 1.75 | GFA99R59
GFAF99R59
GF99R59
GFF99R59 | 4P | | | | | | | | | | | | | | | | | | | | | | | | | | | | | | | | | | | | | | | | | | | | | | | | | | | | | | | | | | | | | | | | | | | | |
 | | | | | | | | | | | | | | | | | | | | | | | | | | | | | | | | | | | | | | | | | | |
| 5.4 | 2532 | 174.87 | 32 | 1.60 | | | 5.1 | 2690 | 276.77 | 32 | 1.55 | | | GFA99
GFAF99
GF99
GFF99 | 4P | 45 | 300 | 30.86 | | | 6.2 | 1.30 | GFA49
GFAF49
GF49
GFF49 | | | 4P | 5.5 | | | | | 2463 | | | 253.41 | | | 33 | 1.65 | 6.3 | 2176 | 223.88 | 33 | 1.90 | 7.4 | 1846 | 189.92 | 34 | 2.20 | 8.0 | 1700 | 174.87 | 34 | 2.40 | 5.2 | 2631 | 270.68 | 23 | 1.10 | GFA89
GFAF89
GF89
GFF89 | | | | | | | 4P | 48 | 285 | | | 29.32 | | | 6.2 | | | 1.35 | GFA49
GFAF49
GF49
GFF49 | 4P | 5.5 | 2482 | 255.37 | 23 | 1.15 | 6.1 | 2225 | 228.93 | 24 | 1.30 | 7.1 | 1917 | 197.20 | 25 | 1.50 | 7.8 | | | 1749 | 179.97 | 26 | | | | | 1.65 | 8.8 | 1551 | | | | | 159.61 | 26 | 1.85 | GFA89
GFAF89
GF89
GFF89 | 4P | | | 54 | 250 | 25.72 | 6.1 | 1.55 | GFA39
GFAF39
GF39
GFF39 | | | 4P | 10 | 1304 | 134.16 | 27 | | | 2.20 | 13 | | | 1064 | 109.49 | 27 | 2.70 | 14 | | | 952 | 97.89 | | | 28 | 3.00 | 8.4 | 1618 | 166.47 | | | | | 14 | 0.90 | GFA79
GFAF79
GF79
GFF79 | | | 4P | 64 | 212 | 21.82 | 5.9 | 1.80 | | | GFA49
GFAF49
GF49
GFF49 | 4P | 9.8 | 1383 | 142.27 | | | 15 | 1.05 | 11 | 1268 | 130.42 | | | 16 | | | 1.15 | 12 | | | 1113 | 114.45 | 17 | | | 1.30 | 13 | 1054 | 108.46 | 17 | | | 1.35 | GFA79
GFAF79
GF79
GFF79 | 4P | 68 | 200 | | | 20.57
 | | | 3.2 | 0.95 | GFA39
GFAF39
GF39
GFF39 | 4P | 15 | | | 923 | 94.93 | 17 | 1.55 | | | 16 | 831 | 85.52 | 18 | 1.75 | | | 19 | | | | | 729 | 75.02 | 18 | 1.95 | | | 19 | | | 705 | 72.50 | 18 | 2.00 | GFA79
GFAF79
GF79
GFF79 | 4P | 73 | | | 187 | 19.27 | 3.2 | 1.00 | GFA159R99
GFAF159R99
GF159R99
GFF159R99 | | | 4P | 21 | | | | | 646 | 66.46 | 18 | 2.20 | | | | | 24 | | | | | 567 | 58.32 | 19 | 2.50 | 25 | 537 | 55.27 | | | 19 | | | 2.70 | 29 | 470 | 48.37 | | | | | 19 | 3.00 | GFA79
GFAF79
GF79
GFF79 | | | 4P | 82 | 166 | 17.03 | | | 3.2 | | | | | | | 1.15 | GFA159R99
GFAF159R99
GF159R99
GFF159R99 | 4P | | | 32 | 424 | 43.58 | 19 | 3.40 | | | 37 | 372 | | | 38.23 | | | | | 19 | 3.90 | 38 | 356 | | | | | | | 36.58 | 19 | 3.00 | GFA79
GFAF79
GF79
GFF79 | 4P | | | 88 | 159 | 16.36 | 5.6 | | | 2.40 | | | GFA159R99
GFAF159R99
GF159R99
GFF159R99 | | | 4P | | | 44 | 306 | | | 31.51 | | | 19 | 4.30 | 15 | 881 | 90.59 | | | | | 8.8 | 0.90
 | GFA79
GFAF79
GF79
GFF79 | 4P | 86 | | | | | | | 135 | 13.93 | 5.4 | 2.80 | GFA159R99
GFAF159R99
GF159R99
GFF159R99 | | | | | 4P | | | 18 | | | 775 | 79.76 | 10 | 1.00 | | | 21 | 658 | 67.65 | 11 | | | | | 1.20 | GFA79
GFAF79
GF79
GFF79 | 4P | | | 82 | | | 166 | | | 17.03 | 3.2 | | | | | 1.15 | GFA39
GFAF39
GF39
GFF39 | 4P | 23 | 594 | | | 61.07 | 11 | 1.30 | | | | | 26 | 522 | 53.73 | | | 12 | 1.50 | | | | | | | GFA79
GFAF79
GF79
GFF79 | 4P | 98 | 139 | 14.33 | 3.2 | 1.35 | GFA159R99
GFAF159R99
GF159R99
GFF159R99 | | | | | 4P | 28 | | | | | 493 | | | 50.74 | 12 | 1.60 | 32 | | | 420 | | | 43.20 | 12 | 1.85 | | | | | GFA79
GFAF79
GF79
GFF79 | 4P | 109 | 125 | 12.87 | | | 3.1 | | | | | 1.55 | GFA159R99
GFAF159R99
GF159R99
GFF159R99 | 4P | 36 | 382 | | | | | | | 39.26 | 12 | 1.95 | 39 | 353 | | | | | 36.30 | 12 | 2.20 | GFA79
GFAF79
GF79
GFF79 | | | 4P | | | 126 | 108 | 11.08 | | | 3.1 | 1.70 | | | | |
GFA159R99
GFAF159R99
GF159R99
GFF159R99 | | | | | 4P | 44 | 312 | 32.08 | 12 | 2.50 | 51 | 266 | 27.41 | | | | | | | 12 | 2.90 | | | GFA79
GFAF79
GF79
GFF79 | 4P | | | 134 | | | 101 | 10.42 | 3.1 | | | 1.75 | GFA159R99
GFAF159R99
GF159R99
GFF159R99 | 4P | 56 | | | | | 244 | 25.13 | 12 | | | | | 3.20 | 24 | | | 573 | 58.97 | 8.7 | | | | | 1.00 | GFA79
GFAF79
GF79
GFF79 | 4P | | | 156 | 87 | 8.97 | 3.0 | 1.90 | | | | | GFA159R99
GFAF159R99
GF159R99
GFF159R99 | 4P | | | | | 28 | 487 | 50.10 | 9.4 | 1.20 | | | | | | | 31 | 435 | 44.73 | 9.5 | | | | | 1.30 | GFA79
GFAF79
GF79
GFF79 | 4P | 174 | 78 | 8.03 | | | 2.9 | 2.10 | | | GFA159R99
GFAF159R99
GF159R99
GFF159R99 | 4P | 37 | | | | | 371 | 38.21 | 9.3 | 1.55 | 39 | 348 | 35.79 | 9.1 | 1.65 | GFA79
GFAF79
GF79
GFF79 | | | | | 4P | 0.99 | 19107 | | | 1441 | 93 | | | 0.95 | GFA159R99
GFAF159R99
GF159R99
GFF159R99 | 4P | 46 | 293 | 30.15 | | | 8.8 | 1.95 | 5.0 | 3779 | | | | | 285 | 30 | 1.15 | GFA159R99
GFAF159R99
GF159R99
GFF159R99 | 4P | | | 1.1 | 17344 | | | 1308 | 96 | 1.05
 | GFA129R79
GFAF129R79
GF129R79
GFF129R79 | 4P | | | 5.8 | 3249 | 245 | | | 31 | 1.30 | 1.2 | 15501 | 1169 | | | | | 101 | 1.15 | GFA159R99
GFAF159R99
GF159R99
GFF159R99 | | | 4P | 1.5 | 12637 | 953 | 107 | 1.40 | GFA129R79
GFAF129R79
GF129R79
GFF129R79 | | | 4P | | | 1.7 | 11205 | 845 | 110 | | | | | 1.60 | 1.9 | 10130 | 764 | 111 | 1.75 | GFA159R99
GFAF159R99
GF159R99
GFF159R99 | 4P | 1.7 | 10860 | | | 819 | 86 | 1.10 | GFA109R79
GFAF109R79
GF109R79
GFF109R79 | 4P | | | 2.1 | 9017 | 680 | 113 | 1.95 | 2.5 | 7638 | 576 | 114 | 2.30 | | | GFA159R99
GFAF159R99
GF159R99
GFF159R99 | 4P | 2.0 | 9627 | 726 | | | 86 | 1.25 | GFA129R79
GFAF129R79
GF129R79
GFF129R79 | 4P | 3.2 | 5914 | 446 | 114 | 3.00 | 4.7 | | | 4004 | 302 | 114 | 4.40 | GFA159R99
GFAF159R99
GF159R99
GFF159R99 | | | 4P | 2.2 | 8579 | 647 | 86 | 1.40 | GFA109R79
GFAF109R79
GF109R79
GFF109R79 | 4P | 5.2 | 3620 | | | 273 | 114 | 4.85 | 6.2 | 3076 | | | 232 | 114 | 5.70 | GFA159R99
GFAF159R99
GF159R99
GFF159R99 | 4P | 2.6 | 7266 | 548 | 86 | 1.65 | | | GFA109R79
GFAF109R79
GF109R79
GFF109R79 | 4P | 7.3 | 2612 | 197 | | | 114 | 6.90 | 1.3 | 14254 | 1075 | 81 | 0.85 | GFA159R99
GFAF159R99
GF159R99
GFF159R99 | 4P | 2.9 | | | 6550 | 494 | 86 | 1.80 | GFA109R79
GFAF109R79
GF109R79
GFF109R79 | | | 4P | 1.5 | 12318 | 929 | 85 | 1.00 | 1.7 | 10860 | 819 | 86 | 1.10 | GFA159R99
GFAF159R99
GF159R99
GFF159R99 | 4P | 3.3 | 5675 | 428 | 86 | 2.10 | GFA109R79
GFAF109R79
GF109R79
GFF109R79 | 4P | 2.0 | 9627 | 726 | 86 | 1.25 | 2.2 | 8579 | 647 | 86 | 1.40 | GFA159R99
GFAF159R99
GF159R99
GFF159R99 | 4P | 2.2 | 8486 | 640 | 45 | 0.90 | GFA99R59
GFAF99R59
GF99R59
GFF99R59 | 4P | 2.6 | 7266 | 548 | 86 | 1.65 | 2.9 | 6550 | 494 | 86 | 1.80 | GFA159R99
GFAF159R99
GF159R99
GFF159R99 | 4P | 2.6 | 7425 | 560 | 48 | 1.05 | GFA109R79
GFAF109R79
GF109R79
GFF109R79 | 4P | 3.3 | 5675 | 428 | 86 | 2.10 | 3.3 | 5781 | 436 | 51 | 1.35 |
GFA159R99
GFAF159R99
GF159R99
GFF159R99 | 4P | 2.9 | 6484 | 489 | 50 | 1.20 | GFA109R79
GFAF109R79
GF109R79
GFF109R79 | 4P | 3.9 | 4906 | 370 | 53 | 1.60 | 4.3 | 4416 | 333 | 54 | 1.75 | GFA159R99
GFAF159R99
GF159R99
GFF159R99 | 4P | 3.9 | 4906 | 370 | 53 | 1.60 | GFA109R79
GFAF109R79
GF109R79
GFF109R79 | 4P | 5.0 | 3779 | 285 | 30 | 1.15 | 5.8 | 3249 | 245 | 31 | 1.30 | GFA159R99
GFAF159R99
GF159R99
GFF159R99 | 4P | 4.3 | 4416 | 333 |
5.1	2690	276.77	32	1.55	GFA99 GFAF99 GF99 GFF99	4P	45	300	30.86	6.2	1.30	GFA49 GFAF49 GF49 GFF49	4P																																																																																																																																																																																																																			
 | | | | | | | | | | | | | | | | | | | | | | | | | | | | | | | | | | | | | | | | | | | | | | | | | | | | | | | | | | | | | | | | | | | | | | | | | | | | | | | | | | | | | | | | | | | | | | | | | | | | | | | | | | | | | | | | | | | | | | | | | | | | | | | | | | | | | | | | | | | | | | | | | | | | | | | | | | | | | | | | | | | | | | | | | | | | | | | | | | | |
 | | | | | | | | | | | | | | | | | | | | | | | | | | | | | | | | | | | | | | | | | | | | | | | | | | | | | | | | | | | | | | | | | | | | | | | | | | | | | | | | | | | | | | | | | | | | | | | | | | | | | | | | | | | | | | | | | | | | | | | | | | | | | | | | | | | | | | | | | | | | | | | | | | | | | | | | | | | | | | | | | | | | | | | | | | | |
 | | | | | | | | | | | | | | | | | | | | | | | | | | | | | | | | | | | | | | | | | | | | | | | | | | | | | | | | | | | | | | | | | | | | | | | | | | | | | | | | | | | | | | | | | | | | | | | | | | | | | | | | | | | | | | | | | | | | | | | | | | | | | | | | | | | | | | | | | | | | | | | | | | | | | | | | | | | | | | | | | | | | | | | | | | | |
 | | | | | | | | | | | | | | | | | | | | | | | | | | | | | | | | | | | | | | | | | | | | | | | | | | | | | | | | | | | | | | | | | | | | | | | | | | | | | | | | | | | | | | | | | | | | | | | | | | | | | | | | | | | | | | | | | | | | | | | | | | | | | | | | | | | | | | | | | | | | | | | | | | | | | | | | | | | | | | | | | | | | | | | | | | | | | | | | | | | | | | | | | | | | | | | | | | | | | | | | | | | | | | | | | | | | | | | | | | | | | | | | | |
 | | | | | | | | | | | | | | | | | | | | | | | | | | | | | | | | | | | | | | | | | | |
| 5.5 | 2463 | 253.41 | 33 | 1.65 | | | 6.3 | 2176 | 223.88 | 33 | 1.90 | | | | | 7.4 | 1846 | 189.92 | | | 34 | 2.20 | | | | | 8.0 | | 1700 | 174.87 | | 34 | | | 2.40 | 5.2 | 2631 | 270.68 | 23 | 1.10 | GFA89
GFAF89
GF89
GFF89 | 4P | 48 | 285 | 29.32 | 6.2 | 1.35 | GFA49
GFAF49
GF49
GFF49 | 4P | 5.5 | 2482 | 255.37 | 23 | 1.15 | 6.1 | 2225 | 228.93 | 24 | 1.30 | | | | 7.1 | 1917 | | | | 197.20 | 25 | 1.50 | 7.8 | 1749 | | | 179.97 | | | 26 | | | 1.65 | 8.8 | 1551 | 159.61 | 26 | 1.85 | GFA89
GFAF89
GF89
GFF89 | 4P | 54 | 250 | 25.72 | 6.1 | 1.55 | GFA39
GFAF39
GF39
GFF39 | 4P | 10 | 1304 | 134.16 | 27 | 2.20 | 13 | | | 1064 | 109.49 | 27 | 2.70 | 14 | | | | | 952 | 97.89 | 28 | | | | | 3.00 | 8.4 | 1618 | 166.47 | 14 | | 0.90 | GFA79
GFAF79
GF79
GFF79 | | 4P | 64 | 212 | 21.82 | 5.9 | 1.80 | GFA49
GFAF49
GF49
GFF49 | 4P | | | 9.8 | 1383 | 142.27 | 15 | 1.05 | | | 11 | 1268 | | | 130.42 | 16 | 1.15 | 12 | 1113 | 114.45 | 17 | | | 1.30 | 13 | | 1054 | 108.46 | | 17 | 1.35 | GFA79
GFAF79
GF79
GFF79 | 4P | 68 | | | | | 200 | 20.57 | 3.2 | | | 0.95 | GFA39
GFAF39
GF39
GFF39 | 4P | 15 | 923 | 94.93 | 17 | 1.55 | | | 16 | 831 | 85.52 | 18 | 1.75 | 19 | 729 | | | 75.02 | 18 | 1.95 | 19 | 705 | | | 72.50 | | | 18 | 2.00 | | |
GFA79
GFAF79
GF79
GFF79 | 4P | 73 | 187 | 19.27 | | | 3.2 | 1.00 | GFA159R99
GFAF159R99
GF159R99
GFF159R99 | 4P | 21 | 646 | 66.46 | | | 18 | 2.20 | 24 | 567 | 58.32 | | | 19 | | 2.50 | 25 | | 537 | 55.27 | 19 | 2.70 | 29 | 470 | 48.37 | | | 19 | 3.00 | GFA79
GFAF79
GF79
GFF79 | 4P | | | 82 | 166 | 17.03 | 3.2 | 1.15 | GFA159R99
GFAF159R99
GF159R99
GFF159R99 | 4P | | 32 | 424 | | 43.58 | | | | | 19 | 3.40 | 37 | 372 | 38.23 | 19 | | | 3.90 | | | 38 | 356 | 36.58 | 19 | 3.00 | GFA79
GFAF79
GF79
GFF79 | 4P | 88 | 159 | | | 16.36 | 5.6 | 2.40 | GFA159R99
GFAF159R99
GF159R99
GFF159R99 | 4P | 44 | 306 | | 31.51 | 19 | | 4.30 | 15 | | | | | 881 | 90.59 | 8.8 | 0.90 | GFA79
GFAF79
GF79
GFF79 | 4P | | | | | 86 | 135 | 13.93 | | | | | 5.4 | 2.80 | GFA159R99
GFAF159R99
GF159R99
GFF159R99 | 4P | 18 | 775 | 79.76 | 10 | 1.00 | | | 21 | 658 | 67.65 | | | 11 | 1.20 | GFA79
GFAF79
GF79
GFF79 | 4P | | | | | 82 | 166 | 17.03 | 3.2 | 1.15 | | | GFA39
GFAF39
GF39
GFF39 | 4P | 23 | 594 | 61.07 | 11 | | | 1.30 | | | | 26 | 522 | | | | 53.73 | 12 | 1.50 | GFA79
GFAF79
GF79
GFF79 | 4P | | | 98 | 139 | 14.33 | 3.2 | 1.35 | | | GFA159R99
GFAF159R99
GF159R99
GFF159R99 | 4P | 28
 | 493 | | | 50.74 | 12 | 1.60 | | | | | 32 | 420 | 43.20 | 12 | | | 1.85 | GFA79
GFAF79
GF79
GFF79 | | | | | 4P | 109 | 125 | 12.87 | 3.1 | 1.55 | GFA159R99
GFAF159R99
GF159R99
GFF159R99 | | | 4P | 36 | 382 | 39.26 | 12 | 1.95 | | | 39 | | | 353 | 36.30 | 12 | | | 2.20 | | | GFA79
GFAF79
GF79
GFF79 | 4P | | | 126 | 108 | 11.08 | | | 3.1 | 1.70 | GFA159R99
GFAF159R99
GF159R99
GFF159R99 | 4P | 44 | 312 | 32.08 | | | | | 12 | 2.50 | 51 | 266 | 27.41 | 12 | 2.90 | | | | GFA79
GFAF79
GF79
GFF79 | 4P | | | | 134 | 101 | 10.42 | 3.1 | 1.75 | | | GFA159R99
GFAF159R99
GF159R99
GFF159R99 | 4P | | | 56 | | | 244 | 25.13 | 12 | | | 3.20 | 24 | 573 | 58.97 | | | 8.7 | 1.00 | GFA79
GFAF79
GF79
GFF79 | 4P | 156 | 87 | | | 8.97 | 3.0 | | | 1.90 | GFA159R99
GFAF159R99
GF159R99
GFF159R99 | 4P | | | 28 | | | 487 | 50.10 | 9.4 | | | 1.20 | 31 | 435 | 44.73 | | | | | 9.5 | 1.30 | GFA79
GFAF79
GF79
GFF79 | 4P | 174 | | 78 | 8.03 | | 2.9 | 2.10 | GFA159R99
GFAF159R99
GF159R99
GFF159R99 | | 4P | 37 | | | | 371 | 38.21 | 9.3 | | | 1.55 | 39 | 348 | 35.79 | |
 | | | | 9.1 | 1.65 | | GFA79
GFAF79
GF79
GFF79 | 4P | 0.99 | 19107 | 1441 | 93 | 0.95 | GFA159R99
GFAF159R99
GF159R99
GFF159R99 | | 4P | 46 | | | | 293 | 30.15 | 8.8 | 1.95 | | | | | 5.0 | | | 3779 | 285 | 30 | 1.15 | GFA159R99
GFAF159R99
GF159R99
GFF159R99 | 4P | | | 1.1 | | 17344 | 1308 | | 96 | 1.05 | GFA129R79
GFAF129R79
GF129R79
GFF129R79 | | | | | 4P | 5.8 | 3249 | 245 | 31 | 1.30 | 1.2 | | | 15501 | 1169 | 101 | | | | | 1.15 | GFA159R99
GFAF159R99
GF159R99
GFF159R99 | 4P | 1.5 | 12637 | 953 | 107 | | | | | | 1.40 | GFA129R79
GFAF129R79
GF129R79
GFF129R79 | | 4P | 1.7 | 11205 | 845 | 110 | | | | | 1.60 | 1.9 | 10130 | 764 | 111 | 1.75 | | GFA159R99
GFAF159R99
GF159R99
GFF159R99 | 4P | | 1.7 | | | 10860 | 819 | 86 | | | 1.10 | GFA109R79
GFAF109R79
GF109R79
GFF109R79 | | | | | 4P | | | | | 2.1 | 9017 | 680 | 113 | 1.95 | 2.5 | 7638 | 576 | 114 | | | | | | | 2.30 | GFA159R99
GFAF159R99
GF159R99
GFF159R99 | | | 4P | 2.0 | | | 9627 | | | 726 | 86 | 1.25 | | | GFA129R79
GFAF129R79
GF129R79
GFF129R79 | 4P | 3.2 | 5914 | | | | | 446 | 114 | 3.00 | | | | | 4.7 | 4004 | | | 302 | 114 | 4.40
 | | | | | GFA159R99
GFAF159R99
GF159R99
GFF159R99 | 4P | 2.2 | | | 8579 | 647 | 86 | 1.40 | GFA109R79
GFAF109R79
GF109R79
GFF109R79 | | | | | 4P | 5.2 | | | | | 3620 | 273 | 114 | 4.85 | 6.2 | | | | | | | 3076 | 232 | 114 | 5.70 | | | | | GFA159R99
GFAF159R99
GF159R99
GFF159R99 | 4P | 2.6 | 7266 | 548 | 86 | | | 1.65 | GFA109R79
GFAF109R79
GF109R79
GFF109R79 | | | 4P | 7.3 | 2612 | | | | | 197 | 114 | 6.90 | 1.3 | 14254 | 1075 | 81 | 0.85 | GFA159R99
GFAF159R99
GF159R99
GFF159R99 | 4P | | | | | 2.9 | 6550 | 494 | | | 86 | 1.80 | | | GFA109R79
GFAF109R79
GF109R79
GFF109R79 | 4P | 1.5 | 12318 | 929 | 85 | | | 1.00 | 1.7 | 10860 | 819 | | | | | 86 | 1.10 | GFA159R99
GFAF159R99
GF159R99
GFF159R99 | 4P | 3.3 | | | 5675 | 428 | | | 86 | 2.10 | GFA109R79
GFAF109R79
GF109R79
GFF109R79 | 4P | 2.0 | | | 9627 | 726 | 86 | | | 1.25 | 2.2 | 8579 | 647 | 86 | | | | | 1.40 | GFA159R99
GFAF159R99
GF159R99
GFF159R99 | 4P | | | 2.2 | 8486 | 640 | 45 | 0.90 | GFA99R59
GFAF99R59
GF99R59
GFF99R59 | 4P | | | 2.6 | | | 7266 | 548 | 86 | 1.65 | | | | | 2.9 | 6550 | 494 | 86 | 1.80 | GFA159R99
GFAF159R99
GF159R99
GFF159R99 | 4P | 2.6 | 7425 | 560 | | | 48 | 1.05 | GFA109R79
GFAF109R79
GF109R79
GFF109R79 | 4P | 3.3 | | | 5675 | 428 | 86 | 2.10 | 3.3 | 5781 | 436 | 51 | 1.35 | GFA159R99
GFAF159R99
GF159R99
GFF159R99 | | | 4P | 2.9 | 6484 | 489 | 50 | | | 1.20 | GFA109R79
GFAF109R79
GF109R79
GFF109R79 | 4P | 3.9 | 4906 | 370 | 53 | 1.60 | 4.3 | 4416 | | | 333 | 54 | 1.75 | GFA159R99
GFAF159R99
GF159R99
GFF159R99 | 4P | | | 3.9 | 4906 | 370 | 53 | 1.60 | GFA109R79
GFAF109R79
GF109R79
GFF109R79 | 4P | 5.0 | 3779 | 285 |
 | | 30 | 1.15 | 5.8 | 3249 | 245 | | | 31 | 1.30 | GFA159R99
GFAF159R99
GF159R99
GFF159R99 | 4P | 4.3 | 4416 | 333 | 54 | 1.75 | GFA99R59
GFAF99R59
GF99R59
GFF99R59 | | | 4P | | | | | | | | | | | | | | | | | | | | | |
| 6.3 | 2176 | 223.88 | 33 | 1.90 | | | 7.4 | 1846 | 189.92 | 34 | 2.20 | | | | | 8.0 | 1700 | 174.87 | | | 34 | 2.40 | | 5.2 | 2631 | | 270.68 | | 23 | 1.10 | | GFA89
GFAF89
GF89
GFF89 | 4P | 48 | 285 | 29.32 | 6.2 | 1.35 | GFA49
GFAF49
GF49
GFF49 | 4P | | | 5.5 | 2482 | 255.37 | 23 | 1.15 | | | 6.1 | 2225 | 228.93 | 24 | 1.30 | 7.1 | 1917 | 197.20 | 25 | 1.50 | | | 7.8 | 1749 | 179.97 | 26 | | | 1.65 | 8.8 | 1551 | 159.61 | 26 | 1.85 | GFA89
GFAF89
GF89
GFF89 | 4P | | | 54 | | | 250 | 25.72 | 6.1 | 1.55 | GFA39
GFAF39
GF39
GFF39 | 4P | | | 10 | 1304 | 134.16 | 27 | 2.20 | | | 13 | 1064 | 109.49 | 27 | 2.70 | 14 | 952 | 97.89 | 28 | 3.00 | 8.4 | 1618 | 166.47 | | | 14 | 0.90 | GFA79
GFAF79
GF79
GFF79 | 4P | 64 | | | | | 212 | 21.82 | 5.9 | 1.80 | GFA49
GFAF49
GF49
GFF49 | | 4P | | | | 9.8 | 1383 | 142.27 | 15 | 1.05 | | | 11 | 1268 | 130.42 | 16 | 1.15 | 12 | 1113 | 114.45 | 17 | 1.30 | 13 | | | 1054 | 108.46 | 17 | 1.35 | GFA79
GFAF79
GF79
GFF79 | 4P | 68 | | | 200 | 20.57 | | 3.2 | 0.95 | | GFA39
GFAF39
GF39
GFF39 | 4P | | | 15 | 923 | 94.93 | | | 17 | 1.55 | 16 | 831 | 85.52 | 18 | | | 1.75 | 19 | 729 | 75.02 | 18 | | | 1.95 | 19 | 705 | 72.50 | 18 | 2.00 | GFA79
GFAF79
GF79
GFF79 | | | 4P | 73 | 187 | 19.27 | 3.2 | 1.00 | GFA159R99
GFAF159R99
GF159R99
GFF159R99 | 4P | | | 21 | 646 | 66.46 | 18 |
 | | 2.20 | 24 | 567 | | | 58.32 | 19 | | | 2.50 | 25 | 537 | | | 55.27 | 19 | 2.70 | 29 | 470 | | | 48.37 | 19 | 3.00 | GFA79
GFAF79
GF79
GFF79 | 4P | 82 | 166 | 17.03 | 3.2 | 1.15 | GFA159R99
GFAF159R99
GF159R99
GFF159R99 | 4P | 32 | 424 | 43.58 | 19 | | | | | 3.40 | 37 | 372 | 38.23 | 19 | | | | 3.90 | 38 | | 356 | | 36.58 | 19 | | 3.00 | GFA79
GFAF79
GF79
GFF79 | 4P | 88 | 159 | 16.36 | 5.6 | 2.40 | GFA159R99
GFAF159R99
GF159R99
GFF159R99 | | | 4P | 44 | 306 | 31.51 | 19 | | | 4.30 | 15 | 881 | 90.59 | 8.8 | 0.90 | GFA79
GFAF79
GF79
GFF79 | | | 4P | 86 | 135 | 13.93 | 5.4 | 2.80 | GFA159R99
GFAF159R99
GF159R99
GFF159R99 | 4P | | | | | 18 | 775 | 79.76 | 10 | | | 1.00 | 21 | | | 658 | 67.65 | 11 | | | 1.20 | GFA79
GFAF79
GF79
GFF79 | 4P | 82 | | | 166 | 17.03 | 3.2 | 1.15 | GFA39
GFAF39
GF39
GFF39 | | | 4P | 23 | 594 | 61.07 | 11 | 1.30 | 26 | | | | 522 | 53.73 | | 12 | 1.50 | GFA79
GFAF79
GF79
GFF79 | 4P | 98 | | | | | 139 | 14.33 | 3.2 | 1.35 | GFA159R99
GFAF159R99
GF159R99
GFF159R99 | 4P | 28 | | | | 493 | 50.74 | | 12 | 1.60 | 32 | 420 | 43.20 | | | | | 12 | 1.85 | GFA79
GFAF79
GF79
GFF79 | 4P | 109 | 125 | 12.87 | | | 3.1 | 1.55
 | | | GFA159R99
GFAF159R99
GF159R99
GFF159R99 | 4P | 36 | 382 | 39.26 | | | 12 | 1.95 | 39 | 353 | | | 36.30 | | | | 12 | 2.20 | | GFA79
GFAF79
GF79
GFF79 | 4P | 126 | 108 | 11.08 | | 3.1 | 1.70 | | GFA159R99
GFAF159R99
GF159R99
GFF159R99 | 4P | 44 | 312 | 32.08 | | | 12 | | | 2.50 | 51 | 266 | 27.41 | 12 | 2.90 | | | | | GFA79
GFAF79
GF79
GFF79 | 4P | 134 | 101 | 10.42 | | | 3.1 | 1.75 | | | GFA159R99
GFAF159R99
GF159R99
GFF159R99 | 4P | 56 | | | 244 | 25.13 | 12 | 3.20 | 24 | 573 | 58.97 | 8.7 | 1.00 | GFA79
GFAF79
GF79
GFF79 | 4P | | | | | | | 156 | 87 | 8.97 | 3.0 | 1.90 | | GFA159R99
GFAF159R99
GF159R99
GFF159R99 | | | 4P | | 28 | | | 487 | 50.10 | 9.4 | 1.20 | 31 | 435 | 44.73 | 9.5 | 1.30 | | | GFA79
GFAF79
GF79
GFF79 | 4P | | | 174 | 78 | 8.03 | 2.9 | 2.10 | GFA159R99
GFAF159R99
GF159R99
GFF159R99 | | | 4P | | | 37 | 371 | 38.21 | | | 9.3 | 1.55 | 39 | | | 348 | 35.79 | 9.1 | 1.65 | | | GFA79
GFAF79
GF79
GFF79 | 4P | 0.99 | 19107 | | | 1441 | 93 | 0.95 | GFA159R99
GFAF159R99
GF159R99
GFF159R99 | 4P | 46 | 293 | | | | 30.15 | | | | 8.8 | 1.95 | 5.0 | 3779 | 285 | 30 | 1.15 | GFA159R99
GFAF159R99
GF159R99
GFF159R99 | 4P | | |
 | 1.1 | 17344 | 1308 | 96 | | | | 1.05 | GFA129R79
GFAF129R79
GF129R79
GFF129R79 | 4P | 5.8 | 3249 | | | | 245 | 31 | 1.30 | | 1.2 | 15501 | 1169 | 101 | | | 1.15 | GFA159R99
GFAF159R99
GF159R99
GFF159R99 | 4P | | | 1.5 | 12637 | 953 | 107 | | | | | 1.40 | GFA129R79
GFAF129R79
GF129R79
GFF129R79 | 4P | 1.7 | 11205 | 845 | 110 | | | | 1.60 | 1.9 | | 10130 | 764 | 111 | 1.75 | GFA159R99
GFAF159R99
GF159R99
GFF159R99 | 4P | | | 1.7 | 10860 | 819 | | | 86 | 1.10 | GFA109R79
GFAF109R79
GF109R79
GFF109R79 | | | 4P | 2.1 | 9017 | 680 | 113 | 1.95 | | | | 2.5 | | | | 7638 | 576 | 114 | 2.30 | | GFA159R99
GFAF159R99
GF159R99
GFF159R99 | 4P | | 2.0 | 9627 | 726 | 86 | 1.25 | GFA129R79
GFAF129R79
GF129R79
GFF129R79 | 4P | | | 3.2 | 5914 | | | 446 | 114 | 3.00 | | | 4.7 | | 4004 | 302 | | | | | | 114 | 4.40 | GFA159R99
GFAF159R99
GF159R99
GFF159R99 | 4P | 2.2 | 8579 | 647 | 86 | 1.40 | GFA109R79
GFAF109R79
GF109R79
GFF109R79 | 4P | | 5.2 | 3620 | | | | 273 | | 114 | 4.85 | | 6.2 | | | 3076 | | | 232 | 114 | 5.70 | GFA159R99
GFAF159R99
GF159R99
GFF159R99 | 4P | | | 2.6 | 7266 | | 548 | 86 | | 1.65 | GFA109R79
GFAF109R79
GF109R79
GFF109R79 | 4P | | | | | 7.3 | 2612 | 197 | 114 | 6.90 | 1.3 | 14254
 | | | 1075 | 81 | | | 0.85 | | | GFA159R99
GFAF159R99
GF159R99
GFF159R99 | 4P | 2.9 | 6550 | | 494 | 86 | | | | 1.80 | | GFA109R79
GFAF109R79
GF109R79
GFF109R79 | 4P | | 1.5 | 12318 | 929 | 85 | 1.00 | | | | | 1.7 | 10860 | 819 | 86 | 1.10 | GFA159R99
GFAF159R99
GF159R99
GFF159R99 | | 4P | 3.3 | | | | 5675 | 428 | 86 | 2.10 | | | GFA109R79
GFAF109R79
GF109R79
GFF109R79 | | | | | 4P | 2.0 | | | | | 9627 | 726 | 86 | 1.25 | 2.2 | 8579 | 647 | 86 | | | | | | | 1.40 | GFA159R99
GFAF159R99
GF159R99
GFF159R99 | 4P | | | 2.2 | 8486 | | | | | 640 | 45 | 0.90 | GFA99R59
GFAF99R59
GF99R59
GFF99R59 | | | 4P | 2.6 | 7266 | 548 | | | | | 86 | 1.65 | | | 2.9 | | | 6550 | 494 | | | 86 | 1.80 | | | GFA159R99
GFAF159R99
GF159R99
GFF159R99 | | | 4P | 2.6 | 7425 | | | 560 | 48 | 1.05 | GFA109R79
GFAF109R79
GF109R79
GFF109R79 | 4P | | | | | 3.3 | | | | | 5675 | 428 | 86 | 2.10 | 3.3 | | | | | 5781 | | | 436 | 51 | 1.35 | GFA159R99
GFAF159R99
GF159R99
GFF159R99 | | | | | 4P | 2.9 | 6484 | 489 | 50 | | | 1.20 | GFA109R79
GFAF109R79
GF109R79
GFF109R79 | 4P | | | 3.9 | 4906 | | | 370 | | | 53 | 1.60 | 4.3 | 4416 | 333 | 54 | 1.75 | GFA159R99
GFAF159R99
GF159R99
GFF159R99 | 4P | | | | | 3.9 | 4906 | 370 | 53 | | | 1.60 | | | GFA109R79
GFAF109R79
GF109R79
GFF109R79 | 4P | 5.0 | 3779 | 285 | 30 | 1.15 | | | 5.8 | 3249 | 245 | | | | | 31 | 1.30 | GFA159R99
GFAF159R99
GF159R99
GFF159R99 | 4P | 4.3 | | | 4416 | 333 | 54 |
 | | 1.75 | GFA99R59
GFAF99R59
GF99R59
GFF99R59 | 4P | | | | | | | | | | | | | | | | | | | | | | | | | | | | | | | | | | | | | | |
| 7.4 | 1846 | 189.92 | 34 | 2.20 | | | 8.0 | 1700 | 174.87 | 34 | 2.40 | | | | | 5.2 | 2631 | 270.68 | 23 | 1.10 | GFA89
GFAF89
GF89
GFF89 | 4P | | 48 | 285 | | 29.32 | 6.2 | 1.35 | GFA49
GFAF49
GF49
GFF49 | 4P | | | 5.5 | 2482 | 255.37 | 23 | 1.15 | | | | | 6.1 | 2225 | 228.93 | 24 | 1.30 | | | 7.1 | 1917 | 197.20 | 25 | 1.50 | 7.8 | 1749 | 179.97 | 26 | 1.65 | | 8.8 | 1551 | 159.61 | 26 | 1.85 | GFA89
GFAF89
GF89
GFF89 | | 4P | 54 | 250 | 25.72 | 6.1 | 1.55 | | | GFA39
GFAF39
GF39
GFF39 | 4P | 10 | | | 1304 | 134.16 | 27 | 2.20 | | | | | 13 | 1064 | 109.49 | 27 | 2.70 | | | 14 | 952 | 97.89 | 28 | 3.00 | 8.4 | 1618 | 166.47 | 14 | 0.90 | GFA79
GFAF79
GF79
GFF79 | 4P | 64 | 212 | 21.82 | 5.9 | 1.80 | | | GFA49
GFAF49
GF49
GFF49 | | | 4P | 9.8 | 1383 | 142.27 | 15 | 1.05 | | | | | | | 11 | 1268 | 130.42 | 16 | 1.15 | | | 12 | 1113 | 114.45 | 17 | 1.30 | 13 | 1054 | 108.46 | 17 | 1.35 | GFA79
GFAF79
GF79
GFF79 | 4P | 68 | 200 | 20.57 | 3.2 | 0.95 | | | GFA39
GFAF39
GF39
GFF39 | 4P | 15 | 923 | 94.93 | | 17 | 1.55 | | | | | | 16 | 831 | 85.52 | | | 18 | 1.75 | 19 | 729 | 75.02 | 18 | | | 1.95 | 19 | 705 | 72.50 | 18 | 2.00 | GFA79
GFAF79
GF79
GFF79 | 4P | 73 | 187 | 19.27 | 3.2 | 1.00 | | GFA159R99
GFAF159R99
GF159R99
GFF159R99 | 4P | | 21 | 646 | 66.46 | 18 | 2.20 | | | | | 24 | 567 | 58.32 | 19 |
 | | 2.50 | 25 | 537 | | | 55.27 | 19 | | | 2.70 | 29 | 470 | 48.37 | 19 | 3.00 | GFA79
GFAF79
GF79
GFF79 | 4P | 82 | 166 | 17.03 | 3.2 | 1.15 | GFA159R99
GFAF159R99
GF159R99
GFF159R99 | 4P | | | 32 | 424 | 43.58 | 19 | 3.40 | | | 37 | 372 | 38.23 | 19 | | | | | 3.90 | 38 | 356 | 36.58 | 19 | | | | 3.00 | GFA79
GFAF79
GF79
GFF79 | | 4P | 88 | 159 | 16.36 | 5.6 | 2.40 | | | GFA159R99
GFAF159R99
GF159R99
GFF159R99 | 4P | 44 | 306 | 31.51 | | 19 | 4.30 | | 15 | 881 | 90.59 | 8.8 | | | 0.90 | GFA79
GFAF79
GF79
GFF79 | 4P | 86 | 135 | 13.93 | | | | | 5.4 | 2.80 | GFA159R99
GFAF159R99
GF159R99
GFF159R99 | 4P | 18 | | | | 775 | 79.76 | | 10 | 1.00 | 21 | 658 | | | 67.65 | 11 | 1.20 | GFA79
GFAF79
GF79
GFF79 | 4P | 82 | 166 | | | 17.03 | | | 3.2 | | | 1.15 | GFA39
GFAF39
GF39
GFF39 | 4P | 23 | | 594 | 61.07 | | 11 | 1.30 | 26 | 522 | 53.73 | 12 | | | 1.50 | GFA79
GFAF79
GF79
GFF79 | 4P | 98 | 139 | 14.33 | | | 3.2 | | | | | 1.35 | GFA159R99
GFAF159R99
GF159R99
GFF159R99 | 4P | 28 | | | 493 | 50.74 | 12 | | 1.60 | 32 | | 420 | 43.20 | 12 | 1.85 | GFA79
GFAF79
GF79
GFF79 | | | 4P | 109 | 125 | 12.87 | | | 3.1 | 1.55 | GFA159R99
GFAF159R99
GF159R99
GFF159R99 | | | 4P | 36
 | | | | | 382 | 39.26 | 12 | 1.95 | 39 | 353 | 36.30 | 12 | 2.20 | | GFA79
GFAF79
GF79
GFF79 | 4P | | 126 | | 108 | 11.08 | | | | 3.1 | 1.70 | GFA159R99
GFAF159R99
GF159R99
GFF159R99 | | 4P | 44 | | | | 312 | 32.08 | 12 | 2.50 | 51 | 266 | | | 27.41 | 12 | 2.90 | GFA79
GFAF79
GF79
GFF79 | 4P | 134 | 101 | 10.42 | | | | | 3.1 | 1.75 | GFA159R99
GFAF159R99
GF159R99
GFF159R99 | | | 4P | 56 | | | | | 244 | 25.13 | 12 | 3.20 | 24 | 573 | 58.97 | 8.7 | 1.00 | GFA79
GFAF79
GF79
GFF79 | 4P | 156 | | | 87 | | | 8.97 | | | 3.0 | 1.90 | GFA159R99
GFAF159R99
GF159R99
GFF159R99 | 4P | 28 | | | | | | | 487 | 50.10 | 9.4 | 1.20 | 31 | 435 | 44.73 | 9.5 | 1.30 | GFA79
GFAF79
GF79
GFF79 | 4P | 174 | 78 | 8.03 | | | | | 2.9 | 2.10 | GFA159R99
GFAF159R99
GF159R99
GFF159R99 | 4P | 37 | | | | | | | 371 | 38.21 | 9.3 | 1.55 | 39 | 348 | 35.79 | 9.1 | | | 1.65 | GFA79
GFAF79
GF79
GFF79 | 4P | 0.99 | 19107 | 1441 | | | 93 | 0.95 | | | GFA159R99
GFAF159R99
GF159R99
GFF159R99 | 4P | 46 | | | 293 | 30.15 | | | | 8.8 | | 1.95 | 5.0 | 3779 | 285 | 30 | 1.15 | GFA159R99
GFAF159R99
GF159R99
GFF159R99 | 4P | 1.1 | | | 17344 | 1308 |
 | 96 | 1.05 | GFA129R79
GFAF129R79
GF129R79
GFF129R79 | 4P | | | | 5.8 | | | 3249 | 245 | | 31 | | 1.30 | 1.2 | 15501 | 1169 | 101 | 1.15 | GFA159R99
GFAF159R99
GF159R99
GFF159R99 | 4P | | | 1.5 | | | 12637 | 953 | 107 | 1.40 | GFA129R79
GFAF129R79
GF129R79
GFF129R79 | 4P | | | | | 1.7 | | | 11205 | 845 | 110 | 1.60 | | 1.9 | 10130 | 764 | 111 | | 1.75 | GFA159R99
GFAF159R99
GF159R99
GFF159R99 | 4P | 1.7 | | | 10860 | 819 | 86 | 1.10 | GFA109R79
GFAF109R79
GF109R79
GFF109R79 | | | 4P | 2.1 | | | | | 9017 | 680 | 113 | 1.95 | 2.5 | | | 7638 | 576 | | 114 | | 2.30 | GFA159R99
GFAF159R99
GF159R99
GFF159R99 | 4P | 2.0 | 9627 | | | 726 | 86 | 1.25 | GFA129R79
GFAF129R79
GF129R79
GFF129R79 | 4P | 3.2 | | | | | 5914 | 446 | | | 114 | 3.00 | 4.7 | 4004 | 302 | 114 | | 4.40 | GFA159R99
GFAF159R99
GF159R99
GFF159R99 | | | | 4P | 2.2 | 8579 | 647 | | | 86 | 1.40 | GFA109R79
GFAF109R79
GF109R79
GFF109R79 | 4P | 5.2 | | | | 3620 | 273 | 114 | 4.85 | | 6.2 | | 3076 | 232 | | 114 | 5.70 | GFA159R99
GFAF159R99
GF159R99
GFF159R99 | 4P | | | 2.6 | 7266 | 548 | | | | | 86 | 1.65 | GFA109R79
GFAF109R79
GF109R79
GFF109R79 | 4P | 7.3 | 2612 | 197 | | | | | 114 | 6.90 | 1.3 | 14254 | 1075 | 81 | 0.85 | GFA159R99
GFAF159R99
GF159R99
GFF159R99 | 4P
 | | | 2.9 | 6550 | | | 494 | 86 | 1.80 | | | GFA109R79
GFAF109R79
GF109R79
GFF109R79 | 4P | | 1.5 | 12318 | 929 | 85 | | 1.00 | | | | | 1.7 | 10860 | 819 | 86 | 1.10 | | GFA159R99
GFAF159R99
GF159R99
GFF159R99 | 4P | | 3.3 | 5675 | 428 | 86 | 2.10 | | GFA109R79
GFAF109R79
GF109R79
GFF109R79 | | 4P | 2.0 | | | 9627 | 726 | 86 | 1.25 | | | | | 2.2 | 8579 | | | 647 | | | 86 | 1.40 | GFA159R99
GFAF159R99
GF159R99
GFF159R99 | 4P | 2.2 | 8486 | 640 | 45 | 0.90 | GFA99R59
GFAF99R59
GF99R59
GFF99R59 | | | 4P | 2.6 | | | 7266 | | | 548 | 86 | 1.65 | 2.9 | | | | | 6550 | 494 | 86 | | 1.80 | GFA159R99
GFAF159R99
GF159R99
GFF159R99 | | 4P | 2.6 | 7425 | | 560 | 48 | | 1.05 | GFA109R79
GFAF109R79
GF109R79
GFF109R79 | | | 4P | | | 3.3 | 5675 | 428 | 86 | 2.10 | 3.3 | | | | 5781 | 436 | | 51 | 1.35 | | | GFA159R99
GFAF159R99
GF159R99
GFF159R99 | 4P | 2.9 | | | 6484 | 489 | | | 50 | | | 1.20 | GFA109R79
GFAF109R79
GF109R79
GFF109R79 | 4P | 3.9 | 4906 | 370 | 53 | | | | | 1.60 | 4.3 | 4416 | 333 | 54 | 1.75 | | | GFA159R99
GFAF159R99
GF159R99
GFF159R99 | 4P | | | 3.9 | 4906 | 370 | 53 | | | 1.60 | | | | | GFA109R79
GFAF109R79
GF109R79
GFF109R79 | 4P | | | 5.0 | | | 3779 | 285 | 30 | 1.15 | 5.8 | 3249 | 245 | | | | | | | 31 | 1.30 | GFA159R99
GFAF159R99
GF159R99
GFF159R99 | 4P | | | 4.3 | | | | | 4416 | 333 | 54 | 1.75 | GFA99R59
GFAF99R59
GF99R59
GFF99R59 | | | 4P | | | | | | | | | | | | | | | | |
 | | | | | | | | | | | | | | | | | | | | | | | | | | | | | | | | | | | | | | | | | | |
| 8.0 | 1700 | 174.87 | 34 | 2.40 | | | 5.2 | 2631 | 270.68 | 23 | 1.10 | | | GFA89
GFAF89
GF89
GFF89 | 4P | 48 | 285 | 29.32 | 6.2 | 1.35 | | | GFA49
GFAF49
GF49
GFF49 | 4P | 5.5 | 2482 | 255.37 | 23 | 1.15 | | | | | 6.1 | 2225 | 228.93 | 24 | 1.30 | | | | | 7.1 | 1917 | 197.20 | 25 | 1.50 | | | 7.8 | 1749 | 179.97 | 26 | 1.65 | 8.8 | 1551 | 159.61 | 26 | 1.85 | GFA89
GFAF89
GF89
GFF89 | 4P | 54 | 250 | 25.72 | 6.1 | | 1.55 | | GFA39
GFAF39
GF39
GFF39 | 4P | 10 | 1304 | 134.16 | | | | | 27 | 2.20 | 13 | 1064 | 109.49 | 27 | 2.70 | | | | | 14 | 952 | 97.89 | 28 | 3.00 | | | 8.4 | 1618 | 166.47 | 14 | 0.90 | GFA79
GFAF79
GF79
GFF79 | 4P | 64 | 212 | 21.82 | | | 5.9 | 1.80 | GFA49
GFAF49
GF49
GFF49 | 4P | 9.8 | | | | 1383 | 142.27 | | 15 | 1.05 | 11 | 1268 | 130.42 | | 16 | | | 1.15 | | 12 | 1113 | 114.45 | 17 | 1.30 | | | 13 | 1054 | 108.46 | 17 | 1.35 | GFA79
GFAF79
GF79
GFF79 | 4P | 68 | 200 | 20.57 | | | 3.2 | 0.95 | GFA39
GFAF39
GF39
GFF39 | 4P | 15 | | | | | 923 | 94.93 | 17 | 1.55 | 16 | 831 | 85.52 | | | | | 18 | 1.75 | 19 | 729 | 75.02 | 18 | 1.95 | 19 | 705 | 72.50 | 18 | | | 2.00 | GFA79
GFAF79
GF79
GFF79 | 4P | 73 | 187 | 19.27 | | | 3.2 | 1.00 | GFA159R99
GFAF159R99
GF159R99
GFF159R99 | 4P | 21 | | | | | 646 | 66.46 | 18 | 2.20 | 24 | | | 567 | 58.32 | 19 | 2.50 | 25 | 537 |
 | | 55.27 | 19 | 2.70 | 29 | 470 | 48.37 | 19 | | | 3.00 | GFA79
GFAF79
GF79
GFF79 | 4P | 82 | 166 | 17.03 | | | 3.2 | 1.15 | GFA159R99
GFAF159R99
GF159R99
GFF159R99 | 4P | 32 | | | | | 424 | 43.58 | 19 | 3.40 | 37 | | | 372 | 38.23 | 19 | 3.90 | | | 38 | 356 | 36.58 | 19 | 3.00 | GFA79
GFAF79
GF79
GFF79 | 4P | | | 88 | 159 | | 16.36 | | 5.6 | 2.40 | GFA159R99
GFAF159R99
GF159R99
GFF159R99 | 4P | 44 | | | | | 306 | 31.51 | 19 | | 4.30 | 15 | | 881 | 90.59 | 8.8 | 0.90 | | | GFA79
GFAF79
GF79
GFF79 | | | 4P | 86 | 135 | | | | | 13.93 | 5.4 | | | 2.80 | | | GFA159R99
GFAF159R99
GF159R99
GFF159R99 | 4P | 18 | 775 | 79.76 | 10 | 1.00 | 21 | | | 658 | 67.65 | 11 | | | 1.20 | GFA79
GFAF79
GF79
GFF79 | 4P | 82 | 166 | | | 17.03 | | | 3.2 | | | 1.15 | | GFA39
GFAF39
GF39
GFF39 | 4P | | 23 | 594 | 61.07 | 11 | 1.30 | 26 | | | 522 | | | 53.73 | 12 | 1.50 | | | GFA79
GFAF79
GF79
GFF79 | 4P | 98 | | | 139 | | | 14.33 | | | 3.2 | 1.35 | GFA159R99
GFAF159R99
GF159R99
GFF159R99 | 4P | 28 | 493 | 50.74 | 12 | 1.60 | 32 | 420 | | | | | 43.20 | 12 | 1.85 | | | GFA79
GFAF79
GF79
GFF79 | 4P | | | | | 109
 | 125 | 12.87 | | | 3.1 | 1.55 | GFA159R99
GFAF159R99
GF159R99
GFF159R99 | 4P | 36 | 382 | 39.26 | 12 | 1.95 | 39 | | | | 353 | 36.30 | 12 | 2.20 | | | | GFA79
GFAF79
GF79
GFF79 | 4P | | | | 126 | | | | 108 | 11.08 | 3.1 | 1.70 | GFA159R99
GFAF159R99
GF159R99
GFF159R99 | 4P | 44 | 312 | 32.08 | 12 | 2.50 | | | 51 | 266 | 27.41 | | | | | 12 | 2.90 | | GFA79
GFAF79
GF79
GFF79 | 4P | | 134 | | | | | 101 | 10.42 | 3.1 | 1.75 | GFA159R99
GFAF159R99
GF159R99
GFF159R99 | 4P | 56 | 244 | 25.13 | | | 12 | | | 3.20 | | | 24 | 573 | 58.97 | 8.7 | 1.00 | | | GFA79
GFAF79
GF79
GFF79 | 4P | | | | | 156 | 87 | 8.97 | 3.0 | 1.90 | GFA159R99
GFAF159R99
GF159R99
GFF159R99 | 4P | 28 | 487 | 50.10 | | | 9.4 | 1.20 | 31 | | | | | 435 | 44.73 | | | 9.5 | | 1.30 | GFA79
GFAF79
GF79
GFF79 | | | | 4P | 174 | 78 | 8.03 | 2.9 | 2.10 | GFA159R99
GFAF159R99
GF159R99
GFF159R99 | 4P | 37 | 371 | 38.21 | | | 9.3 | 1.55 | 39 | | | 348 | 35.79 | | | | | 9.1 | | | 1.65 | GFA79
GFAF79
GF79
GFF79 | | 4P | | 0.99 | 19107 | 1441 | 93 | 0.95 | GFA159R99
GFAF159R99
GF159R99
GFF159R99 | 4P | 46 | | | 293 | | | 30.15 | 8.8 | 1.95
 | 5.0 | 3779 | | | 285 | | | 30 | | | 1.15 | GFA159R99
GFAF159R99
GF159R99
GFF159R99 | | 4P | | 1.1 | 17344 | 1308 | 96 | 1.05 | GFA129R79
GFAF129R79
GF129R79
GFF129R79 | | | 4P | 5.8 | 3249 | | | 245 | 31 | 1.30 | 1.2 | | | | | 15501 | 1169 | 101 | | | 1.15 | GFA159R99
GFAF159R99
GF159R99
GFF159R99 | 4P | 1.5 | | 12637 | 953 | 107 | 1.40 | | GFA129R79
GFAF129R79
GF129R79
GFF129R79 | | | 4P | | | 1.7 | 11205 | 845 | 110 | | 1.60 | 1.9 | | 10130 | | | | | 764 | 111 | 1.75 | GFA159R99
GFAF159R99
GF159R99
GFF159R99 | 4P | 1.7 | 10860 | 819 | 86 | | 1.10 | | GFA109R79
GFAF109R79
GF109R79
GFF109R79 | | | 4P | 2.1 | | | 9017 | 680 | 113 | | | 1.95 | | | | | 2.5 | 7638 | 576 | 114 | 2.30 | GFA159R99
GFAF159R99
GF159R99
GFF159R99 | 4P | 2.0 | 9627 | 726 | | 86 | | 1.25 | GFA129R79
GFAF129R79
GF129R79
GFF129R79 | | | 4P | 3.2 | 5914 | | | 446 | 114 | | | 3.00 | | | 4.7 | 4004 | 302 | 114 | 4.40 | GFA159R99
GFAF159R99
GF159R99
GFF159R99 | 4P | | 2.2 | 8579 | | 647 | 86 | | | 1.40 | GFA109R79
GFAF109R79
GF109R79
GFF109R79 | 4P | 5.2 | 3620 | | | | | 273 | 114 | | | 4.85 | 6.2 | 3076 | | | 232 | 114 | 5.70 | GFA159R99
GFAF159R99
GF159R99
GFF159R99 | 4P | 2.6 | 7266 | 548 | 86 | | | | | | | | | | | | | | | | | | | | | | | | | | | | | | | | | | | | | | | | | | | | | | | | | | | | | | | |
 | 1.65 | GFA109R79
GFAF109R79
GF109R79
GFF109R79 | 4P | 7.3 | | | 2612 | 197 | 114 | | | | | | 6.90 | 1.3 | 14254 | 1075 | | 81 | 0.85 | | | GFA159R99
GFAF159R99
GF159R99
GFF159R99 | 4P | 2.9 | 6550 | 494 | 86 | 1.80 | | | GFA109R79
GFAF109R79
GF109R79
GFF109R79 | 4P | 1.5 | 12318 | 929 | 85 | | | | | 1.00 | | | 1.7 | 10860 | 819 | 86 | 1.10 | GFA159R99
GFAF159R99
GF159R99
GFF159R99 | | | 4P | 3.3 | | | 5675 | 428 | 86 | 2.10 | GFA109R79
GFAF109R79
GF109R79
GFF109R79 | | | 4P | 2.0 | 9627 | 726 | 86 | | | | | 1.25 | 2.2 | 8579 | 647 | | | 86 | 1.40 | GFA159R99
GFAF159R99
GF159R99
GFF159R99 | 4P | 2.2 | 8486 | | | 640 | 45 | 0.90 | | GFA99R59
GFAF99R59
GF99R59
GFF99R59 | | | | 4P | 2.6 | 7266 | 548 | 86 | 1.65 | 2.9 | | | | | 6550 | 494 | 86 | 1.80 | GFA159R99
GFAF159R99
GF159R99
GFF159R99 | 4P | 2.6 | 7425 | | | | 560 | 48 | | 1.05 | GFA109R79
GFAF109R79
GF109R79
GFF109R79 | 4P | 3.3 | | | 5675 | | | 428 | 86 | 2.10 | 3.3 | 5781 | | | 436 | | | 51 | 1.35 | GFA159R99
GFAF159R99
GF159R99
GFF159R99 | 4P | | | 2.9 | 6484 | 489 | 50 | 1.20 | GFA109R79
GFAF109R79
GF109R79
GFF109R79 | 4P | 3.9 | | 4906 | | | 370 | | 53 | 1.60 | 4.3 | 4416 | | | 333 | | | 54 | 1.75 | | | | | GFA159R99
GFAF159R99
GF159R99
GFF159R99 | 4P | 3.9 | 4906 | 370 | 53 | 1.60 | GFA109R79
GFAF109R79
GF109R79
GFF109R79 | 4P | 5.0 | | | | 3779 | 285 | | 30 | 1.15 | | | 5.8 | 3249 | 245 | | | | | 31 | 1.30 | GFA159R99
GFAF159R99
GF159R99
GFF159R99 | 4P | | 4.3 | 4416 | | 333 | 54 | | | 1.75 | GFA99R59
GFAF99R59
GF99R59
GFF99R59 | 4P | | | | | | | | | |
 | | | | | | | | | | | | | | | | | | | | | | | | | | | | | | | | | | | | | | | | | | |
| 5.2 | 2631 | 270.68 | 23 | 1.10 | GFA89
GFAF89
GF89
GFF89 | 4P | 48 | 285 | 29.32 | 6.2 | 1.35 | GFA49
GFAF49
GF49
GFF49 | 4P | | | | | | | | | | | | | | | | | | | | | | | | | | | | | | | | | | | | | | | | | | | | | | | | | | | | | | | | | | | | | | | | | | | | | | | | | | | | | | | | | | | | | | | | | | | | | | | | | | | | | | | | | | | | | | | | | | | | | | | | | | | | | | | | | | | | | | | | | | | | | | | | | | | | | | | | | | | | | | | | | | | | | | | | | | | | | | | | | | | | | | | | | | | | | | | | | | | | | | |
 | | | | | | | | | | | | | | | | | | | | | | | | | | | | | | | | | | | | | | | | | | | | | | | | | | | | | | | | | | | | | | | | | | | | | | | | | | | | | | | | | | | | | | | | | | | | | | | | | | | | | | | | | | | | | | | | | | | | | | | | | | | | | | | | | | | | | | | | | | | | | | | | | | | | | | | | | | | | | | | | | | | | | | | | | | | | | | | | | | | |
 | | | | | | | | | | | | | | | | | | | | | | | | | | | | | | | | | | | | | | | | | | | | | | | | | | | | | | | | | | | | | | | | | | | | | | | | | | | | | | | | | | | | | | | | | | | | | | | | | | | | | | | | | | | | | | | | | | | | | | | | | | | | | | | | | | | | | | | | | | | | | | | | | | | | | | | | | | | | | | | | | | | | | | | | | | | |
 | | | | | | | | | | | | | | | | | | | | | | | | | | | | | | | | | | | | | | | | | | | | | | | | | | | | | | | | | | | | | | | | | | | | | | | | | | | | | | | | | | | | | | | | | | | | | | | | | | | | | | | | | | | | | | | | | | | | | | | | | | | | | | | | | | | | | | | | | | | | | | | | | | | | | | | | | | | | | | | | | | | | | | | | | | | |
 | | | | | | | | | | | | | | | | | | | | | | | | | | | | | | | | | | | | | | | | | | | | | | | | | | | | | | | | | | | | | | | | | | | | | | | | | | | | | | | | | | | | | | | | | | | | | | | | | | | | | | | | | | | | | | | | | | | | | | | | | | | | | | | | | | | | | | | | | | | | | | | | | | | | | | | | | | | | | | | | | | | | | | | | | | | | | | | | | | | | | | | | | | | | | | | | | | | | | | | | | | | | | | | | | | | | | | | | | | | | | | | | | |
 | | | | | | | | | | | | | | | | | | | | | | | | | | | | | | | | | | | | | | | | | | |
| 5.5 | 2482 | 255.37 | 23 | 1.15 | | | 6.1 | 2225 | 228.93 | 24 | 1.30 | | | | | 7.1 | 1917 | 197.20 | 25 | 1.50 | | | | | 7.8 | 1749 | 179.97 | 26 | 1.65 | | | | | 8.8 | 1551 | 159.61 | 26 | 1.85 | | | GFA89
GFAF89
GF89
GFF89 | 4P | 54 | 250 | 25.72 | 6.1 | 1.55 | GFA39
GFAF39
GF39
GFF39 | 4P | 10 | 1304 | 134.16 | 27 | 2.20 | 13 | 1064 | 109.49 | 27 | 2.70 | | | 14 | 952 | 97.89 | 28 | | 3.00 | | | | 8.4 | 1618 | 166.47 | | | | | 14 | 0.90 | GFA79
GFAF79
GF79
GFF79 | 4P | 64 | 212 | 21.82 | | | 5.9 | 1.80 | GFA49
GFAF49
GF49
GFF49 | 4P | 9.8 | 1383 | 142.27 | 15 | 1.05 | 11 | 1268 | 130.42 | 16 | 1.15 | | | 12 | 1113 | 114.45 | | | 17 | 1.30 | | | 13 | | | | 1054 | 108.46 | | 17 | 1.35 | GFA79
GFAF79
GF79
GFF79 | 4P | 68 | | 200 | | 20.57 | 3.2 | 0.95 | GFA39
GFAF39
GF39
GFF39 | 4P | 15 | 923 | 94.93 | 17 | 1.55 | 16 | 831 | 85.52 | 18 | 1.75 | | | 19 | 729 | 75.02 | | | 18 | 1.95 | | | 19 | | | | | 705 | 72.50 | 18 | 2.00 | GFA79
GFAF79
GF79
GFF79 | 4P | 73 | | | 187 | 19.27 | 3.2 | 1.00 | GFA159R99
GFAF159R99
GF159R99
GFF159R99 | 4P | 21 | 646 | 66.46 | 18 | 2.20 | 24 | 567 | 58.32 | 19 | 2.50 | | | 25 | 537 | 55.27 | | | 19 | 2.70 | | | 29 | | | | | 470 | 48.37 | 19 | 3.00 | GFA79
GFAF79
GF79
GFF79 | | | 4P | 82 | 166 | 17.03 | 3.2 | 1.15 |
GFA159R99
GFAF159R99
GF159R99
GFF159R99 | 4P | 32 | 424 | 43.58 | 19 | 3.40 | 37 | 372 | 38.23 | 19 | 3.90 | | | 38 | 356 | 36.58 | | | 19 | 3.00 | | | GFA79
GFAF79
GF79
GFF79 | | | | | 4P | 88 | 159 | 16.36 | 5.6 | | | 2.40 | GFA159R99
GFAF159R99
GF159R99
GFF159R99 | 4P | 44 | 306 | 31.51 | 19 | 4.30 | 15 | 881 | 90.59 | | | 8.8 | 0.90 | GFA79
GFAF79
GF79
GFF79 | 4P | | 86 | | 135 | 13.93 | | | 5.4 | | | | | 2.80 | GFA159R99
GFAF159R99
GF159R99
GFF159R99 | 4P | | 18 | 775 | | 79.76 | 10 | 1.00 | 21 | 658 | 67.65 | | | | | 11 | 1.20 | | GFA79
GFAF79
GF79
GFF79 | 4P | | 82 | 166 | | | 17.03 | | | | | 3.2 | 1.15 | GFA39
GFAF39
GF39
GFF39 | 4P | 23 | 594 | 61.07 | 11 | 1.30 | 26 | 522 | | | 53.73 | | | 12 | 1.50 | | | GFA79
GFAF79
GF79
GFF79 | 4P | 98 | 139 | | | 14.33 | | | | | 3.2 | 1.35 | GFA159R99
GFAF159R99
GF159R99
GFF159R99 | 4P | 28 | 493 | 50.74 | 12 | 1.60 | | | 32 | 420 | 43.20 | | | | | 12 | 1.85 | GFA79
GFAF79
GF79
GFF79 | 4P | | | 109 | | | 125 | 12.87 | | | 3.1 | 1.55 | GFA159R99
GFAF159R99
GF159R99
GFF159R99 | 4P | 36 | 382 | 39.26 | | 12 | 1.95 | | 39 | 353 | 36.30 | | | | | | 12 | 2.20 |
 | GFA79
GFAF79
GF79
GFF79 | 4P | 126 | | | 108 | 11.08 | | | 3.1 | 1.70 | GFA159R99
GFAF159R99
GF159R99
GFF159R99 | 4P | 44 | 312 | | | 32.08 | 12 | 2.50 | 51 | 266 | 27.41 | | | | | | 12 | | 2.90 | GFA79
GFAF79
GF79
GFF79 | | | 4P | 134 | 101 | 10.42 | | | 3.1 | 1.75 | GFA159R99
GFAF159R99
GF159R99
GFF159R99 | 4P | 56 | | | 244 | 25.13 | 12 | 3.20 | 24 | | | 573 | 58.97 | | | | | 8.7 | 1.00 | GFA79
GFAF79
GF79
GFF79 | | | 4P | 156 | 87 | 8.97 | | | 3.0 | 1.90 | GFA159R99
GFAF159R99
GF159R99
GFF159R99 | | | 4P | | | 28 | 487 | 50.10 | 9.4 | 1.20 | 31 | 435 | 44.73 | | | | | | 9.5 | 1.30 | | GFA79
GFAF79
GF79
GFF79 | 4P | 174 | 78 | 8.03 | | | 2.9 | 2.10 | GFA159R99
GFAF159R99
GF159R99
GFF159R99 | | | 4P | 37 | 371 | | | 38.21 | 9.3 | 1.55 | 39 | | | 348 | | 35.79 | | | 9.1 | 1.65 | | GFA79
GFAF79
GF79
GFF79 | 4P | 0.99 | 19107 | 1441 | | | 93 | 0.95 | GFA159R99
GFAF159R99
GF159R99
GFF159R99 | | | 4P | 46 | 293 | | | 30.15 | 8.8 | 1.95 | 5.0 | | | 3779 | | | 285 | | 30 | | 1.15 | GFA159R99
GFAF159R99
GF159R99
GFF159R99 | 4P | 1.1 | 17344 | 1308 | | | 96 | | | 1.05 | | | GFA129R79
GFAF129R79
GF129R79
GFF129R79 | 4P
 | 5.8 | 3249 | 245 | | | 31 | 1.30 | 1.2 | 15501 | | | 1169 | | 101 | | 1.15 | GFA159R99
GFAF159R99
GF159R99
GFF159R99 | 4P | 1.5 | 12637 | 953 | | | | | 107 | 1.40 | | | GFA129R79
GFAF129R79
GF129R79
GFF129R79 | 4P | 1.7 | 11205 | | | 845 | 110 | 1.60 | 1.9 | 10130 | | | 764 | | | 111 | 1.75 | GFA159R99
GFAF159R99
GF159R99
GFF159R99 | 4P | 1.7 | 10860 | 819 | | | | | | | 86 | 1.10 | GFA109R79
GFAF109R79
GF109R79
GFF109R79 | 4P | | 2.1 | 9017 | | 680 | | 113 | 1.95 | | 2.5 | 7638 | 576 | | | 114 | 2.30 | GFA159R99
GFAF159R99
GF159R99
GFF159R99 | 4P | 2.0 | 9627 | 726 | | | | | 86 | | | 1.25 | GFA129R79
GFAF129R79
GF129R79
GFF129R79 | 4P | | | 3.2 | | | 5914 | 446 | 114 | 3.00 | 4.7 | 4004 | 302 | | | 114 | 4.40 | GFA159R99
GFAF159R99
GF159R99
GFF159R99 | 4P | 2.2 | | 8579 | | 647 | | | 86 | 1.40 | | | GFA109R79
GFAF109R79
GF109R79
GFF109R79 | 4P | | | 5.2 | | | 3620 | 273 | 114 | 4.85 | 6.2 | | | 3076 | 232 | 114 | 5.70 | GFA159R99
GFAF159R99
GF159R99
GFF159R99 | 4P | | | 2.6 | | | 7266 | 548 | | | 86 | 1.65 | GFA109R79
GFAF109R79
GF109R79
GFF109R79 | 4P | | | 7.3 | 2612 | 197 | | | 114 | 6.90 | 1.3 | | | 14254 | 1075 | 81 | 0.85 | | | | | | | | | | | | | | | | | | | | | | | | | | | | | | | | | | | | | | | | | | | | | | | | | | | | | | |
 | GFA159R99
GFAF159R99
GF159R99
GFF159R99 | | | 4P | 2.9 | 6550 | 494 | 86 | 1.80 | | | | | GFA109R79
GFAF109R79
GF109R79
GFF109R79 | 4P | 1.5 | 12318 | 929 | 85 | 1.00 | 1.7 | | | | | 10860 | 819 | 86 | 1.10 | GFA159R99
GFAF159R99
GF159R99
GFF159R99 | | | | | 4P | 3.3 | 5675 | 428 | | | | | 86 | 2.10 | GFA109R79
GFAF109R79
GF109R79
GFF109R79 | 4P | 2.0 | 9627 | 726 | 86 | | | 1.25 | | 2.2 | 8579 | | 647 | 86 | 1.40 | GFA159R99
GFAF159R99
GF159R99
GFF159R99 | | | | | 4P | 2.2 | 8486 | 640 | | 45 | 0.90 | | GFA99R59
GFAF99R59
GF99R59
GFF99R59 | 4P | 2.6 | 7266 | | | 548 | 86 | | | 1.65 | 2.9 | 6550 | 494 | 86 | 1.80 | GFA159R99
GFAF159R99
GF159R99
GFF159R99 | | | | | | | 4P | 2.6 | 7425 | 560 | 48 | 1.05 | | GFA109R79
GFAF109R79
GF109R79
GFF109R79 | 4P | | 3.3 | 5675 | 428 | 86 | | | 2.10 | 3.3 | 5781 | 436 | | 51 | 1.35 | | GFA159R99
GFAF159R99
GF159R99
GFF159R99 | | | 4P | | | 2.9 | | | 6484 | 489 | 50 | 1.20 | GFA109R79
GFAF109R79
GF109R79
GFF109R79 | 4P | 3.9 | 4906 | | | 370 | 53 | | | 1.60 | 4.3 | 4416 | 333 | 54 | 1.75 | GFA159R99
GFAF159R99
GF159R99
GFF159R99 | | | 4P | | 3.9 | | | 4906 | | 370 | 53 | 1.60 | GFA109R79
GFAF109R79
GF109R79
GFF109R79 | 4P | 5.0 | 3779 | | | 285 | 30 | | | 1.15 | 5.8 | | | 3249 | 245 | 31 | 1.30 | GFA159R99
GFAF159R99
GF159R99
GFF159R99 | | | 4P | | | 4.3 | 4416 | 333 | 54 | 1.75 | GFA99R59
GFAF99R59
GF99R59
GFF99R59 | | | 4P | | | | | | | | | | | | | | | | | | | | | | | | | | | | | | |
 | | | | | | | | | | | | | | | | | | | | | | | | | | | | | | | | | | | | | | | | | | |
| 6.1 | 2225 | 228.93 | 24 | 1.30 | | | 7.1 | 1917 | 197.20 | 25 | 1.50 | | | | | 7.8 | 1749 | 179.97 | 26 | 1.65 | | | | | 8.8 | 1551 | 159.61 | 26 | 1.85 | | | GFA89
GFAF89
GF89
GFF89 | 4P | 54 | 250 | 25.72 | 6.1 | 1.55 | GFA39
GFAF39
GF39
GFF39 | 4P | | | 10 | 1304 | 134.16 | 27 | 2.20 | | | 13 | 1064 | 109.49 | 27 | 2.70 | 14 | 952 | 97.89 | 28 | 3.00 | | | 8.4 | 1618 | 166.47 | 14 | | 0.90 | | | | GFA79
GFAF79
GF79
GFF79 | 4P | 64 | 212 | 21.82 | | | 5.9 | 1.80 | | | GFA49
GFAF49
GF49
GFF49 | 4P | 9.8 | 1383 | 142.27 | 15 | 1.05 | | | 11 | 1268 | 130.42 | 16 | 1.15 | 12 | 1113 | 114.45 | 17 | 1.30 | | | 13 | 1054 | 108.46 | | | 17 | 1.35 | | | GFA79
GFAF79
GF79
GFF79 | 4P | 68 | | 200 | 20.57 | | 3.2 | 0.95 | | | GFA39
GFAF39
GF39
GFF39 | 4P | 15 | 923 | 94.93 | 17 | 1.55 | | | 16 | 831 | 85.52 | 18 | 1.75 | 19 | 729 | 75.02 | 18 | 1.95 | | | 19 | 705 | 72.50 | | | 18 | 2.00 | | | GFA79
GFAF79
GF79
GFF79 | 4P | 73 | | | 187 | 19.27 | 3.2 | 1.00 | | | GFA159R99
GFAF159R99
GF159R99
GFF159R99 | 4P | 21 | 646 | 66.46 | 18 | 2.20 | | | 24 | 567 | 58.32 | 19 | 2.50 | 25 | 537 | 55.27 | 19 | 2.70 | | | 29 | 470 | 48.37 | | | 19 | 3.00 | | | GFA79
GFAF79
GF79
GFF79 | 4P | | | 82 | 166 | 17.03 | 3.2 | 1.15 | | GFA159R99
GFAF159R99
GF159R99
GFF159R99 | 4P | | 32 | 424 | 43.58 | 19 | 3.40 |
 | | 37 | 372 | 38.23 | 19 | 3.90 | 38 | 356 | 36.58 | 19 | 3.00 | | | GFA79
GFAF79
GF79
GFF79 | 4P | 88 | | | 159 | 16.36 | | | | | | 5.6 | 2.40 | | GFA159R99
GFAF159R99
GF159R99
GFF159R99 | 4P | 44 | 306 | 31.51 | 19 | 4.30 | | | 15 | 881 | 90.59 | 8.8 | 0.90 | GFA79
GFAF79
GF79
GFF79 | 4P | 86 | | | 135 | 13.93 | | | | 5.4 | | 2.80 | GFA159R99
GFAF159R99
GF159R99
GFF159R99 | | | 4P | 18 | 775 | | | 79.76 | | | 10 | 1.00 | 21 | 658 | 67.65 | 11 | 1.20 | GFA79
GFAF79
GF79
GFF79 | 4P | 82 | | | | | 166 | 17.03 | 3.2 | | | 1.15 | GFA39
GFAF39
GF39
GFF39 | 4P | | | 23 | 594 | 61.07 | | | 11 | 1.30 | | | 26 | 522 | 53.73 | 12 | 1.50 | GFA79
GFAF79
GF79
GFF79 | 4P | | | 98 | | | 139 | 14.33 | 3.2 | 1.35 | | | GFA159R99
GFAF159R99
GF159R99
GFF159R99 | 4P | | | 28 | 493 | | | 50.74 | 12 | 1.60 | | | 32 | 420 | 43.20 | 12 | 1.85 | | | GFA79
GFAF79
GF79
GFF79 | 4P | 109 | 125 | 12.87 | | | 3.1 | 1.55 | | | | | GFA159R99
GFAF159R99
GF159R99
GFF159R99 | 4P | 36 | 382 | 39.26 | | | 12 | 1.95 | | | 39 | 353 | 36.30 | | 12 | 2.20 | | GFA79
GFAF79
GF79
GFF79 | 4P | 126 | 108 | 11.08 | | | | 3.1 | 1.70 | |
 | | GFA159R99
GFAF159R99
GF159R99
GFF159R99 | 4P | 44 | 312 | 32.08 | | | 12 | 2.50 | | | 51 | 266 | | | 27.41 | 12 | 2.90 | GFA79
GFAF79
GF79
GFF79 | 4P | 134 | 101 | 10.42 | | | | 3.1 | | 1.75 | | GFA159R99
GFAF159R99
GF159R99
GFF159R99 | 4P | | 56 | 244 | 25.13 | | | 12 | 3.20 | | | 24 | | | 573 | 58.97 | 8.7 | 1.00 | GFA79
GFAF79
GF79
GFF79 | 4P | 156 | 87 | 8.97 | | | | | 3.0 | 1.90 | | GFA159R99
GFAF159R99
GF159R99
GFF159R99 | 4P | | 28 | 487 | 50.10 | | | 9.4 | 1.20 | | | | | 31 | 435 | 44.73 | 9.5 | 1.30 | GFA79
GFAF79
GF79
GFF79 | 4P | 174 | 78 | 8.03 | | | | | 2.9 | 2.10 | GFA159R99
GFAF159R99
GF159R99
GFF159R99 | 4P | | | 37 | 371 | 38.21 | | | 9.3 | 1.55 | | | | | 39 | 348 | 35.79 | 9.1 | 1.65 | GFA79
GFAF79
GF79
GFF79 | 4P | 0.99 | | | 19107 | 1441 | 93 | | 0.95 | GFA159R99
GFAF159R99
GF159R99
GFF159R99 | 4P | | | | 46 | 293 | 30.15 | | | 8.8 | 1.95 | | | | | 5.0 | 3779 | 285 | 30 | 1.15 | GFA159R99
GFAF159R99
GF159R99
GFF159R99 | 4P | 1.1 | | | 17344 | 1308 | 96 | 1.05 | | GFA129R79
GFAF129R79
GF129R79
GFF129R79 | | 4P | | | 5.8 | 3249 | 245 | | | 31 | | | 1.30 | 1.2 | 15501 | | | 1169
 | 101 | 1.15 | | | GFA159R99
GFAF159R99
GF159R99
GFF159R99 | 4P | 1.5 | 12637 | 953 | 107 | 1.40 | | GFA129R79
GFAF129R79
GF129R79
GFF129R79 | | 4P | | | 1.7 | 11205 | 845 | | | | | 110 | 1.60 | 1.9 | 10130 | | | 764 | 111 | | | 1.75 | GFA159R99
GFAF159R99
GF159R99
GFF159R99 | 4P | 1.7 | 10860 | 819 | 86 | 1.10 | | | GFA109R79
GFAF109R79
GF109R79
GFF109R79 | 4P | | | 2.1 | 9017 | 680 | | | | | 113 | 1.95 | 2.5 | 7638 | | | | 576 | 114 | | 2.30 | GFA159R99
GFAF159R99
GF159R99
GFF159R99 | 4P | 2.0 | 9627 | 726 | 86 | 1.25 | | | GFA129R79
GFAF129R79
GF129R79
GFF129R79 | 4P | | | 3.2 | 5914 | 446 | | | | | 114 | 3.00 | 4.7 | 4004 | | | | | 302 | 114 | 4.40 | GFA159R99
GFAF159R99
GF159R99
GFF159R99 | 4P | 2.2 | 8579 | 647 | 86 | 1.40 | | | GFA109R79
GFAF109R79
GF109R79
GFF109R79 | 4P | | | 5.2 | | 3620 | | 273 | | | 114 | 4.85 | 6.2 | 3076 | | | | | 232 | 114 | 5.70 | GFA159R99
GFAF159R99
GF159R99
GFF159R99 | 4P | 2.6 | 7266 | 548 | | | 86 | 1.65 | GFA109R79
GFAF109R79
GF109R79
GFF109R79 | 4P | | | | | 7.3 | | | 2612 | 197 | 114 | 6.90 | 1.3 | 14254 | | | | | 1075 | 81 | 0.85 | GFA159R99
GFAF159R99
GF159R99
GFF159R99 | 4P | 2.9 | 6550 | 494 | | | 86 | 1.80 | GFA109R79
GFAF109R79
GF109R79
GFF109R79 | 4P | | | | | | | | | | | | | | | | | | | | | | | | | | | | | | | | | | | | | | | | | | | | | | | | | | | | | | | |
 | | | | | 1.5 | 12318 | 929 | 85 | 1.00 | 1.7 | 10860 | | | | | 819 | 86 | 1.10 | GFA159R99
GFAF159R99
GF159R99
GFF159R99 | 4P | 3.3 | 5675 | 428 | | | 86 | 2.10 | GFA109R79
GFAF109R79
GF109R79
GFF109R79 | 4P | | | | | | | 2.0 | 9627 | 726 | 86 | | 1.25 | | 2.2 | 8579 | | | 647 | 86 | 1.40 | GFA159R99
GFAF159R99
GF159R99
GFF159R99 | | 4P | 2.2 | | 8486 | 640 | 45 | 0.90 | GFA99R59
GFAF99R59
GF99R59
GFF99R59 | 4P | | | | | | | 2.6 | 7266 | 548 | | 86 | 1.65 | | | | 2.9 | 6550 | 494 | 86 | 1.80 | GFA159R99
GFAF159R99
GF159R99
GFF159R99 | | | 4P | 2.6 | 7425 | 560 | 48 | 1.05 | | GFA109R79
GFAF109R79
GF109R79
GFF109R79 | | | 4P | | | | 3.3 | 5675 | 428 | 86 | 2.10 | | | | | 3.3 | 5781 | 436 | 51 | | | 1.35 | GFA159R99
GFAF159R99
GF159R99
GFF159R99 | 4P | 2.9 | 6484 | 489 | 50 | 1.20 | | | | | | | GFA109R79
GFAF109R79
GF109R79
GFF109R79 | 4P | 3.9 | 4906 | 370 | 53 | 1.60 | | | 4.3 | 4416 | | | 333 | 54 | | | 1.75 | GFA159R99
GFAF159R99
GF159R99
GFF159R99 | 4P | 3.9 | 4906 | 370 | | | | | 53 | 1.60 | | | GFA109R79
GFAF109R79
GF109R79
GFF109R79 | 4P | 5.0 | 3779 | 285 | | | 30 | 1.15 | 5.8 | 3249 | 245 | 31 | | | 1.30 | GFA159R99
GFAF159R99
GF159R99
GFF159R99 | | | 4P | 4.3 | 4416 | 333 | | | | | 54 | 1.75 | GFA99R59
GFAF99R59
GF99R59
GFF99R59 | 4P | | | | | | | | | | | | | | | | | | | | | | | | | | | | | | | | | | | | | |
 | | | | | | | | | | | | | | | | | | | | | | | | | | | | | | | | | | | | | | | | | | |
| 7.1 | 1917 | 197.20 | 25 | 1.50 | | | 7.8 | 1749 | 179.97 | 26 | 1.65 | | | | | 8.8 | 1551 | 159.61 | 26 | 1.85 | GFA89
GFAF89
GF89
GFF89 | 4P | | | 54 | 250 | 25.72 | 6.1 | 1.55 | GFA39
GFAF39
GF39
GFF39 | 4P | | | 10 | 1304 | 134.16 | 27 | 2.20 | | | | | 13 | 1064 | 109.49 | 27 | 2.70 | | | 14 | 952 | 97.89 | 28 | 3.00 | 8.4 | 1618 | 166.47 | 14 | 0.90 | | | GFA79
GFAF79
GF79
GFF79 | 4P | 64 | 212 | 21.82 | 5.9 | 1.80 | | | | | GFA49
GFAF49
GF49
GFF49 | 4P | 9.8 | 1383 | 142.27 | 15 | 1.05 | | | | | 11 | 1268 | 130.42 | 16 | 1.15 | | | 12 | 1113 | 114.45 | 17 | 1.30 | 13 | 1054 | 108.46 | 17 | 1.35 | | | GFA79
GFAF79
GF79
GFF79 | 4P | 68 | 200 | 20.57 | 3.2 | 0.95 | | | | | GFA39
GFAF39
GF39
GFF39 | 4P | 15 | 923 | 94.93 | 17 | 1.55 | | | | | 16 | 831 | 85.52 | 18 | 1.75 | | | 19 | 729 | 75.02 | 18 | 1.95 | 19 | 705 | 72.50 | 18 | 2.00 | | | GFA79
GFAF79
GF79
GFF79 | 4P | 73 | 187 | 19.27 | 3.2 | 1.00 | | | | | GFA159R99
GFAF159R99
GF159R99
GFF159R99 | 4P | 21 | 646 | 66.46 | 18 | 2.20 | | | | | 24 | 567 | 58.32 | 19 | 2.50 | | | 25 | 537 | 55.27 | 19 | 2.70 | 29 | 470 | 48.37 | 19 | 3.00 | | | GFA79
GFAF79
GF79
GFF79 | 4P | 82 | 166 | 17.03 | 3.2 | 1.15 | | | | | GFA159R99
GFAF159R99
GF159R99
GFF159R99 | 4P | 32 | 424 | 43.58 | 19 | 3.40 | | | | | 37 | 372 | 38.23 | 19 | 3.90 |
 | | 38 | 356 | 36.58 | 19 | 3.00 | GFA79
GFAF79
GF79
GFF79 | 4P | 88 | 159 | 16.36 | | | | | 5.6 | 2.40 | GFA159R99
GFAF159R99
GF159R99
GFF159R99 | 4P | 44 | | | | 306 | 31.51 | 19 | 4.30 | | | | 15 | 881 | 90.59 | 8.8 | 0.90 | | | GFA79
GFAF79
GF79
GFF79 | 4P | 86 | 135 | 13.93 | | | 5.4 | | | 2.80 | GFA159R99
GFAF159R99
GF159R99
GFF159R99 | | | 4P | 18 | 775 | 79.76 | | | | | 10 | 1.00 | 21 | 658 | 67.65 | | | 11 | 1.20 | GFA79
GFAF79
GF79
GFF79 | 4P | 82 | 166 | 17.03 | | | 3.2 | | 1.15 | GFA39
GFAF39
GF39
GFF39 | | 4P | 23 | 594 | | | 61.07 | | | 11 | 1.30 | 26 | 522 | 53.73 | | | 12 | 1.50 | | | GFA79
GFAF79
GF79
GFF79 | 4P | 98 | 139 | 14.33 | | | 3.2 | 1.35 | GFA159R99
GFAF159R99
GF159R99
GFF159R99 | | | 4P | 28 | 493 | 50.74 | | | | | 12 | 1.60 | 32 | 420 | | | 43.20 | 12 | 1.85 | | | GFA79
GFAF79
GF79
GFF79 | 4P | 109 | 125 | 12.87 | 3.1 | 1.55 | | | GFA159R99
GFAF159R99
GF159R99
GFF159R99 | 4P | 36 | | | 382 | 39.26 | | | 12 | 1.95 | | | 39 | 353 | 36.30 | | | 12 | 2.20 | | | GFA79
GFAF79
GF79
GFF79 | 4P | 126 | 108 | 11.08 | 3.1 | 1.70 | | | GFA159R99
GFAF159R99
GF159R99
GFF159R99 | 4P | 44 | | | 312 | 32.08 | 12 | 2.50 |
 | | | | 51 | 266 | 27.41 | | | 12 | 2.90 | | | GFA79
GFAF79
GF79
GFF79 | 4P | 134 | 101 | 10.42 | 3.1 | 1.75 | | | GFA159R99
GFAF159R99
GF159R99
GFF159R99 | 4P | 56 | | | 244 | 25.13 | 12 | 3.20 | | | | | 24 | 573 | 58.97 | | | 8.7 | 1.00 | | | GFA79
GFAF79
GF79
GFF79 | 4P | 156 | 87 | 8.97 | 3.0 | 1.90 | | | GFA159R99
GFAF159R99
GF159R99
GFF159R99 | 4P | 28 | 487 | | | 50.10 | 9.4 | 1.20 | | | | | 31 | 435 | 44.73 | | | 9.5 | 1.30 | | GFA79
GFAF79
GF79
GFF79 | 4P | | 174 | 78 | 8.03 | 2.9 | 2.10 | | | GFA159R99
GFAF159R99
GF159R99
GFF159R99 | 4P | 37 | 371 | 38.21 | | | 9.3 | 1.55 | | | | | 39 | 348 | 35.79 | | | 9.1 | 1.65 | | GFA79
GFAF79
GF79
GFF79 | 4P | | 0.99 | 19107 | 1441 | 93 | 0.95 | | | GFA159R99
GFAF159R99
GF159R99
GFF159R99 | 4P | 46 | 293 | 30.15 | 8.8 | | 1.95 | | | | | | 5.0 | 3779 | 285 | | | 30 | 1.15 | | GFA159R99
GFAF159R99
GF159R99
GFF159R99 | 4P | | 1.1 | 17344 | 1308 | 96 | 1.05 | | | GFA129R79
GFAF129R79
GF129R79
GFF129R79 | 4P | 5.8 | 3249 | 245 | 31 | 1.30 | | | | | | | 1.2 | 15501 | 1169 | | | 101 | 1.15 | GFA159R99
GFAF159R99
GF159R99
GFF159R99 | 4P | 1.5 | 12637 | | | 953
 | 107 | 1.40 | GFA129R79
GFAF129R79
GF129R79
GFF129R79 | 4P | | | 1.7 | 11205 | 845 | 110 | 1.60 | | | | | | | 1.9 | 10130 | 764 | | 111 | 1.75 | | GFA159R99
GFAF159R99
GF159R99
GFF159R99 | 4P | 1.7 | 10860 | | | 819 | 86 | 1.10 | GFA109R79
GFAF109R79
GF109R79
GFF109R79 | 4P | | | 2.1 | 9017 | 680 | 113 | 1.95 | | | | | | | 2.5 | 7638 | 576 | | 114 | 2.30 | | GFA159R99
GFAF159R99
GF159R99
GFF159R99 | 4P | 2.0 | 9627 | | | 726 | 86 | 1.25 | GFA129R79
GFAF129R79
GF129R79
GFF129R79 | 4P | | | 3.2 | 5914 | 446 | 114 | 3.00 | | | | | | | 4.7 | 4004 | 302 | | 114 | 4.40 | | GFA159R99
GFAF159R99
GF159R99
GFF159R99 | 4P | 2.2 | 8579 | | | 647 | 86 | 1.40 | GFA109R79
GFAF109R79
GF109R79
GFF109R79 | 4P | | | 5.2 | 3620 | 273 | 114 | 4.85 | | | | | | | 6.2 | 3076 | 232 | | 114 | 5.70 | | GFA159R99
GFAF159R99
GF159R99
GFF159R99 | 4P | 2.6 | 7266 | | | 548 | 86 | 1.65 | GFA109R79
GFAF109R79
GF109R79
GFF109R79 | 4P | | | 7.3 | 2612 | 197 | | | 114 | 6.90 | | | | | 1.3 | 14254 | 1075 | | | 81 | 0.85 | GFA159R99
GFAF159R99
GF159R99
GFF159R99 | 4P | 2.9 | 6550 | | | 494 | 86 | 1.80 | GFA109R79
GFAF109R79
GF109R79
GFF109R79 | 4P | | | 1.5 | 12318 | 929 | | | 85 | 1.00 | | | 1.7 | 10860
 | | | | | 819 | 86 | 1.10 | GFA159R99
GFAF159R99
GF159R99
GFF159R99 | 4P | 3.3 | 5675 | 428 | 86 | | | 2.10 | GFA109R79
GFAF109R79
GF109R79
GFF109R79 | 4P | | | 2.0 | 9627 | 726 | | | 86 | 1.25 | | | | 2.2 | 8579 | | | | 647 | 86 | 1.40 | GFA159R99
GFAF159R99
GF159R99
GFF159R99 | 4P | 2.2 | 8486 | 640 | 45 | | | 0.90 | GFA99R59
GFAF99R59
GF99R59
GFF99R59 | 4P | | | | 2.6 | | 7266 | 548 | 86 | 1.65 | | | | | 2.9 | 6550 | | | 494 | 86 | 1.80 | GFA159R99
GFAF159R99
GF159R99
GFF159R99 | 4P | 2.6 | 7425 | | | 560 | 48 | 1.05 | GFA109R79
GFAF109R79
GF109R79
GFF109R79 | 4P | | | | | 3.3 | 5675 | 428 | 86 | 2.10 | | | | 3.3 | | 5781 | | | 436 | 51 | 1.35 | GFA159R99
GFAF159R99
GF159R99
GFF159R99 | 4P | 2.9 | | | 6484 | 489 | 50 | 1.20 | GFA109R79
GFAF109R79
GF109R79
GFF109R79 | | | 4P | | | 3.9 | 4906 | 370 | 53 | 1.60 | | | | | 4.3 | 4416 | | | 333 | 54 | 1.75 | GFA159R99
GFAF159R99
GF159R99
GFF159R99 | 4P | | | 3.9 | 4906 | 370 | 53 | 1.60 | GFA109R79
GFAF109R79
GF109R79
GFF109R79 | | | 4P | | | 5.0 | 3779 | 285 | | | | | 30 | 1.15 | 5.8 | 3249 | | | 245 | 31 | 1.30 | | | GFA159R99
GFAF159R99
GF159R99
GFF159R99 | 4P | 4.3 | 4416 | 333 | 54 | 1.75 | GFA99R59
GFAF99R59
GF99R59
GFF99R59 | 4P | | | | | | | | | | | | | | | | | | | | | | | | | | | | | | | | | | | | | | | | | | | | | | | | | | | | |
 | | | | | | | | | | | | | | | | | | | | | | | | | | | | | | | | | | | | | | | | | | |
| 7.8 | 1749 | 179.97 | 26 | 1.65 | | | 8.8 | 1551 | 159.61 | 26 | 1.85 | | | GFA89
GFAF89
GF89
GFF89 | 4P | 54 | 250 | 25.72 | 6.1 | 1.55 | | | GFA39
GFAF39
GF39
GFF39 | 4P | 10 | 1304 | 134.16 | 27 | 2.20 | | | | | 13 | 1064 | 109.49 | 27 | 2.70 | | | | | 14 | 952 | 97.89 | 28 | 3.00 | | | 8.4 | 1618 | 166.47 | 14 | 0.90 | GFA79
GFAF79
GF79
GFF79 | 4P | 64 | 212 | 21.82 | 5.9 | 1.80 | | | GFA49
GFAF49
GF49
GFF49 | 4P | 9.8 | 1383 | 142.27 | 15 | 1.05 | | | | | 11 | 1268 | 130.42 | 16 | 1.15 | | | | | 12 | 1113 | 114.45 | 17 | 1.30 | | | 13 | 1054 | 108.46 | 17 | 1.35 | GFA79
GFAF79
GF79
GFF79 | 4P | 68 | 200 | 20.57 | 3.2 | 0.95 | | | GFA39
GFAF39
GF39
GFF39 | 4P | 15 | 923 | 94.93 | 17 | 1.55 | | | | | 16 | 831 | 85.52 | 18 | 1.75 | | | | | 19 | 729 | 75.02 | 18 | 1.95 | | | 19 | 705 | 72.50 | 18 | 2.00 | GFA79
GFAF79
GF79
GFF79 | 4P | 73 | 187 | 19.27 | 3.2 | 1.00 | | | GFA159R99
GFAF159R99
GF159R99
GFF159R99 | 4P | 21 | 646 | 66.46 | 18 | 2.20 | | | | | 24 | 567 | 58.32 | 19 | 2.50 | | | | | 25 | 537 | 55.27 | 19 | 2.70 | | | 29 | 470 | 48.37 | 19 | 3.00 | GFA79
GFAF79
GF79
GFF79 | 4P | 82 | 166 | 17.03 | 3.2 | 1.15 | | | GFA159R99
GFAF159R99
GF159R99
GFF159R99 | 4P | 32 | 424 | 43.58 | 19 | 3.40 | | | | | 37 | 372 | 38.23 | 19 | 3.90 | | | | | 38 | 356 | 36.58 | 19 | 3.00 |
 | | GFA79
GFAF79
GF79
GFF79 | 4P | 88 | 159 | 16.36 | | | 5.6 | 2.40 | GFA159R99
GFAF159R99
GF159R99
GFF159R99 | 4P | 44 | | | 306 | 31.51 | | | 19 | 4.30 | 15 | | 881 | 90.59 | 8.8 | 0.90 | | | | GFA79
GFAF79
GF79
GFF79 | 4P | 86 | 135 | 13.93 | | | | | 5.4 | 2.80 | GFA159R99
GFAF159R99
GF159R99
GFF159R99 | | | 4P | 18 | 775 | 79.76 | | | | | 10 | 1.00 | 21 | | 658 | 67.65 | | 11 | 1.20 | GFA79
GFAF79
GF79
GFF79 | 4P | 82 | | | 166 | 17.03 | | | 3.2 | 1.15 | GFA39
GFAF39
GF39
GFF39 | | | 4P | 23 | 594 | | 61.07 | | 11 | 1.30 | | | 26 | | | 522 | 53.73 | 12 | 1.50 | GFA79
GFAF79
GF79
GFF79 | 4P | 98 | 139 | 14.33 | | | | | 3.2 | 1.35 | GFA159R99
GFAF159R99
GF159R99
GFF159R99 | | | 4P | 28 | | 493 | 50.74 | | 12 | 1.60 | 32 | | | | | 420 | 43.20 | 12 | 1.85 | GFA79
GFAF79
GF79
GFF79 | 4P | 109 | 125 | 12.87 | | | | | 3.1 | 1.55 | GFA159R99
GFAF159R99
GF159R99
GFF159R99 | 4P | 36 | | | | | 382 | 39.26 | 12 | 1.95 | 39 | | | 353 | 36.30 | | | 12 | 2.20 | GFA79
GFAF79
GF79
GFF79 | 4P | 126 | 108 | 11.08 | | | | | 3.1 | 1.70 | GFA159R99
GFAF159R99
GF159R99
GFF159R99 | 4P | 44 | | | | | 312 | 32.08 | 12 | 2.50 | 51 | 266 | 27.41 |
 | | | | 12 | 2.90 | GFA79
GFAF79
GF79
GFF79 | 4P | 134 | 101 | 10.42 | | | | | 3.1 | 1.75 | GFA159R99
GFAF159R99
GF159R99
GFF159R99 | 4P | 56 | | | | | 244 | 25.13 | 12 | 3.20 | 24 | 573 | 58.97 | | | | | 8.7 | 1.00 | GFA79
GFAF79
GF79
GFF79 | 4P | 156 | 87 | 8.97 | | | | | 3.0 | 1.90 | GFA159R99
GFAF159R99
GF159R99
GFF159R99 | 4P | 28 | | | | | 487 | 50.10 | 9.4 | 1.20 | 31 | 435 | 44.73 | | | | | 9.5 | 1.30 | GFA79
GFAF79
GF79
GFF79 | 4P | 174 | 78 | 8.03 | | | | | 2.9 | 2.10 | GFA159R99
GFAF159R99
GF159R99
GFF159R99 | 4P | 37 | | | | | 371 | 38.21 | 9.3 | 1.55 | 39 | 348 | 35.79 | | | | | 9.1 | 1.65 | GFA79
GFAF79
GF79
GFF79 | 4P | 0.99 | 19107 | 1441 | | | | | 93 | 0.95 | GFA159R99
GFAF159R99
GF159R99
GFF159R99 | 4P | 46 | | | | | 293 | 30.15 | 8.8 | 1.95 | 5.0 | 3779 | | | 285 | | | 30 | 1.15 | GFA159R99
GFAF159R99
GF159R99
GFF159R99 | 4P | 1.1 | 17344 | 1308 | | | | | 96 | 1.05 | GFA129R79
GFAF129R79
GF129R79
GFF129R79 | 4P | 5.8 | | | | | 3249 | 245 | 31 | 1.30 | 1.2 | 15501 | | 1169 | | | | 101 | 1.15 | GFA159R99
GFAF159R99
GF159R99
GFF159R99 | 4P | 1.5 | 12637 | 953 | | | 107 | 1.40 | | |
GFA129R79
GFAF129R79
GF129R79
GFF129R79 | 4P | 1.7 | | | | | 11205 | 845 | 110 | 1.60 | 1.9 | 10130 | | 764 | | | | 111 | 1.75 | GFA159R99
GFAF159R99
GF159R99
GFF159R99 | 4P | 1.7 | 10860 | 819 | | | 86 | 1.10 | | | GFA109R79
GFAF109R79
GF109R79
GFF109R79 | 4P | 2.1 | | | | | 9017 | 680 | 113 | 1.95 | 2.5 | 7638 | 576 | | | | | 114 | 2.30 | GFA159R99
GFAF159R99
GF159R99
GFF159R99 | 4P | 2.0 | 9627 | 726 | | | 86 | 1.25 | | | GFA129R79
GFAF129R79
GF129R79
GFF129R79 | 4P | 3.2 | | | | | 5914 | 446 | 114 | 3.00 | 4.7 | 4004 | 302 | | | | | 114 | 4.40 | GFA159R99
GFAF159R99
GF159R99
GFF159R99 | 4P | 2.2 | 8579 | 647 | | | 86 | 1.40 | | | GFA109R79
GFAF109R79
GF109R79
GFF109R79 | 4P | 5.2 | | | | | 3620 | 273 | 114 | 4.85 | 6.2 | 3076 | 232 | | | | | 114 | 5.70 | GFA159R99
GFAF159R99
GF159R99
GFF159R99 | 4P | 2.6 | 7266 | 548 | | | 86 | 1.65 | | | GFA109R79
GFAF109R79
GF109R79
GFF109R79 | 4P | 7.3 | | | | | 2612 | 197 | 114 | 6.90 | 1.3 | 14254 | 1075 | | | | | 81 | 0.85 | GFA159R99
GFAF159R99
GF159R99
GFF159R99 | 4P | 2.9 | 6550 | 494 | | | 86 | 1.80 | | | GFA109R79
GFAF109R79
GF109R79
GFF109R79 | 4P | 1.5 | | | | | 12318 | 929 | 85 | 1.00 | 1.7 | 10860 | 819 | | | 86 | 1.10
 | | GFA159R99
GFAF159R99
GF159R99
GFF159R99 | 4P | | 3.3 | 5675 | 428 | | | 86 | 2.10 | GFA109R79
GFAF109R79
GF109R79
GFF109R79 | 4P | | | 2.0 | | | | | 9627 | 726 | 86 | 1.25 | 2.2 | 8579 | 647 | | | | 86 | 1.40 | GFA159R99
GFAF159R99
GF159R99
GFF159R99 | 4P | | 2.2 | 8486 | 640 | | | 45 | 0.90 | GFA99R59
GFAF99R59
GF99R59
GFF99R59 | 4P | | | 2.6 | | | | 7266 | | 548 | 86 | 1.65 | 2.9 | 6550 | 494 | | | | 86 | 1.80 | GFA159R99
GFAF159R99
GF159R99
GFF159R99 | 4P | | 2.6 | 7425 | 560 | | | 48 | 1.05 | | | GFA109R79
GFAF109R79
GF109R79
GFF109R79 | 4P | 3.3 | | | | 5675 | 428 | | 86 | 2.10 | 3.3 | 5781 | 436 | | | 51 | 1.35 | | GFA159R99
GFAF159R99
GF159R99
GFF159R99 | 4P | | 2.9 | 6484 | 489 | | | 50 | | | 1.20 | GFA109R79
GFAF109R79
GF109R79
GFF109R79 | 4P | 3.9 | | 4906 | 370 | | | | 53 | 1.60 | 4.3 | 4416 | 333 | | 54 | 1.75 | | GFA159R99
GFAF159R99
GF159R99
GFF159R99 | 4P | | | 3.9 | 4906 | 370 | | | | | 53 | 1.60 | GFA109R79
GFAF109R79
GF109R79
GFF109R79 | 4P | 5.0 | | 3779 | 285 | | | | 30 | 1.15 | 5.8 | | 3249 | 245 | | 31 | 1.30 | GFA159R99
GFAF159R99
GF159R99
GFF159R99 | 4P | | | 4.3 | 4416 | 333 | | | | | 54 | 1.75 | GFA99R59
GFAF99R59
GF99R59
GFF99R59 | 4P | | | | | | | | | | | | | | | | | | | | | | | | | | | | | | | | | | | | | | | | | | | | | | | | | | | | | | | |
 | | | | | | | | | | | | | | | | | | | | | | | | | | | | | | | | | | | | | | | | | | |
| 8.8 | 1551 | 159.61 | 26 | 1.85 | GFA89
GFAF89
GF89
GFF89 | 4P | 54 | 250 | 25.72 | 6.1 | 1.55 | GFA39
GFAF39
GF39
GFF39 | 4P | | | | | | | | | | | | | | | | | | | | | | | | | | | | | | | | | | | | | | | | | | | | | | | | | | | | | | | | | | | | | | | | | | | | | | | | | | | | | | | | | | | | | | | | | | | | | | | | | | | | | | | | | | | | | | | | | | | | | | | | | | | | | | | | | | | | | | | | | | | | | | | | | | | | | | | | | | | | | | | | | | | | | | | | | | | | | | | | | | | | | | | | | | | | | | | | | | | | | | |
 | | | | | | | | | | | | | | | | | | | | | | | | | | | | | | | | | | | | | | | | | | | | | | | | | | | | | | | | | | | | | | | | | | | | | | | | | | | | | | | | | | | | | | | | | | | | | | | | | | | | | | | | | | | | | | | | | | | | | | | | | | | | | | | | | | | | | | | | | | | | | | | | | | | | | | | | | | | | | | | | | | | | | | | | | | | | | | | | | | | |
 | | | | | | | | | | | | | | | | | | | | | | | | | | | | | | | | | | | | | | | | | | | | | | | | | | | | | | | | | | | | | | | | | | | | | | | | | | | | | | | | | | | | | | | | | | | | | | | | | | | | | | | | | | | | | | | | | | | | | | | | | | | | | | | | | | | | | | | | | | | | | | | | | | | | | | | | | | | | | | | | | | | | | | | | | | | |
 | | | | | | | | | | | | | | | | | | | | | | | | | | | | | | | | | | | | | | | | | | | | | | | | | | | | | | | | | | | | | | | | | | | | | | | | | | | | | | | | | | | | | | | | | | | | | | | | | | | | | | | | | | | | | | | | | | | | | | | | | | | | | | | | | | | | | | | | | | | | | | | | | | | | | | | | | | | | | | | | | | | | | | | | | | | |
 | | | | | | | | | | | | | | | | | | | | | | | | | | | | | | | | | | | | | | | | | | | | | | | | | | | | | | | | | | | | | | | | | | | | | | | | | | | | | | | | | | | | | | | | | | | | | | | | | | | | | | | | | | | | | | | | | | | | | | | | | | | | | | | | | | | | | | | | | | | | | | | | | | | | | | | | | | | | | | | | | | | | | | | | | | | | | | | | | | | | | | | | | | | | | | | | | | | | | | | | | | | | | | | | | | | | | | | | | | | | | | | | | |
 | | | | | | | | | | | | | | | | | | | | | | | | | | | | | | | | | | | | | | | | | | |
| 10 | 1304 | 134.16 | 27 | 2.20 | | | 13 | 1064 | 109.49 | 27 | 2.70 | | | | | 14 | 952 | 97.89 | 28 | 3.00 | | | | | 8.4 | 1618 | 166.47 | 14 | 0.90 | | | | | GFA79
GFAF79
GF79
GFF79 | 4P | 64 | 212 | 21.82 | | | 5.9 | 1.80 | GFA49
GFAF49
GF49
GFF49 | 4P | 9.8 | 1383 | 142.27 | 15 | 1.05 | 11 | 1268 | 130.42 | 16 | 1.15 | | | 12 | 1113 | 114.45 | 17 | 1.30 | | | | | 13 | 1054 | 108.46 | 17 | 1.35 | | | | | GFA79
GFAF79
GF79
GFF79 | 4P | 68 | 200 | 20.57 | 3.2 | 0.95 | | | GFA39
GFAF39
GF39
GFF39 | 4P | 15 | 923 | 94.93 | 17 | 1.55 | 16 | 831 | 85.52 | 18 | 1.75 | | | 19 | 729 | 75.02 | 18 | 1.95 | | | | | 19 | 705 | 72.50 | 18 | 2.00 | | | | | GFA79
GFAF79
GF79
GFF79 | 4P | 73 | 187 | 19.27 | 3.2 | 1.00 | | | GFA159R99
GFAF159R99
GF159R99
GFF159R99 | 4P | 21 | 646 | 66.46 | 18 | 2.20 | 24 | 567 | 58.32 | 19 | 2.50 | | | 25 | 537 | 55.27 | 19 | 2.70 | | | | | 29 | 470 | 48.37 | 19 | 3.00 | | | | | GFA79
GFAF79
GF79
GFF79 | 4P | 82 | 166 | 17.03 | 3.2 | 1.15 | | | GFA159R99
GFAF159R99
GF159R99
GFF159R99 | 4P | 32 | 424 | 43.58 | 19 | 3.40 | 37 | 372 | 38.23 | 19 | 3.90 | | | 38 | 356 | 36.58 | 19 | 3.00 | | | | | GFA79
GFAF79
GF79
GFF79 | 4P | 88 | 159 | 16.36 | | | | | 5.6 | 2.40 | GFA159R99
GFAF159R99
GF159R99
GFF159R99 | 4P | 44 | 306 | | | 31.51 | 19 | 4.30 | 15 | 881 | 90.59 | 8.8
 | 0.90 | | | GFA79
GFAF79
GF79
GFF79 | 4P | 86 | | | 135 | 13.93 | | | 5.4 | | | 2.80 | GFA159R99
GFAF159R99
GF159R99
GFF159R99 | | | 4P | 18 | 775 | 79.76 | 10 | 1.00 | 21 | 658 | 67.65 | | | | | 11 | 1.20 | GFA79
GFAF79
GF79
GFF79 | 4P | 82 | | | 166 | 17.03 | | | | | 3.2 | 1.15 | GFA39
GFAF39
GF39
GFF39 | | 4P | 23 | | 594 | 61.07 | 11 | | 1.30 | 26 | | 522 | 53.73 | | | 12 | 1.50 | GFA79
GFAF79
GF79
GFF79 | 4P | 98 | | | 139 | 14.33 | | | | | 3.2 | 1.35 | | GFA159R99
GFAF159R99
GF159R99
GFF159R99 | | 4P | 28 | 493 | 50.74 | 12 | | | 1.60 | 32 | 420 | 43.20 | | | 12 | 1.85 | GFA79
GFAF79
GF79
GFF79 | 4P | 109 | | | 125 | 12.87 | | | | | 3.1 | | 1.55 | GFA159R99
GFAF159R99
GF159R99
GFF159R99 | | 4P | 36 | 382 | 39.26 | 12 | | | 1.95 | 39 | 353 | 36.30 | | | 12 | 2.20 | GFA79
GFAF79
GF79
GFF79 | 4P | 126 | | | 108 | 11.08 | | | 3.1 | | | | | 1.70 | GFA159R99
GFAF159R99
GF159R99
GFF159R99 | 4P | 44 | 312 | 32.08 | 12 | 2.50 | 51 | | | 266 | 27.41 | | | 12 | 2.90 | GFA79
GFAF79
GF79
GFF79 | 4P | 134 | | | 101 | 10.42 | | | 3.1 | | | | | 1.75 | GFA159R99
GFAF159R99
GF159R99
GFF159R99 | 4P | 56 | 244 | 25.13 | 12 | 3.20
 | 24 | | | 573 | 58.97 | | | 8.7 | 1.00 | GFA79
GFAF79
GF79
GFF79 | 4P | 156 | | | 87 | 8.97 | | | 3.0 | | | | | 1.90 | GFA159R99
GFAF159R99
GF159R99
GFF159R99 | 4P | 28 | 487 | 50.10 | 9.4 | 1.20 | | | 31 | 435 | 44.73 | | | 9.5 | 1.30 | GFA79
GFAF79
GF79
GFF79 | 4P | 174 | | | 78 | 8.03 | | | 2.9 | | | | | 2.10 | GFA159R99
GFAF159R99
GF159R99
GFF159R99 | 4P | 37 | 371 | 38.21 | 9.3 | 1.55 | | | 39 | 348 | 35.79 | | | 9.1 | 1.65 | GFA79
GFAF79
GF79
GFF79 | 4P | | | 0.99 | 19107 | 1441 | | | 93 | | | | | 0.95 | GFA159R99
GFAF159R99
GF159R99
GFF159R99 | 4P | 46 | 293 | 30.15 | 8.8 | | | 1.95 | 5.0 | 3779 | 285 | | | 30 | 1.15 | GFA159R99
GFAF159R99
GF159R99
GFF159R99 | 4P | | | 1.1 | 17344 | 1308 | | | 96 | | | | | 1.05 | GFA129R79
GFAF129R79
GF129R79
GFF129R79 | 4P | 5.8 | 3249 | 245 | | | 31 | 1.30 | 1.2 | 15501 | 1169 | | | 101 | 1.15 | GFA159R99
GFAF159R99
GF159R99
GFF159R99 | 4P | | | 1.5 | 12637 | 953 | | | 107 | | | | | 1.40 | GFA129R79
GFAF129R79
GF129R79
GFF129R79 | 4P | 1.7 | 11205 | 845 | | 110 | | 1.60 | 1.9 | 10130 | 764 | | | 111 | 1.75 | GFA159R99
GFAF159R99
GF159R99
GFF159R99 | | | 4P | 1.7 | 10860 | 819 |
 | | 86 | | | | | 1.10 | GFA109R79
GFAF109R79
GF109R79
GFF109R79 | 4P | 2.1 | 9017 | 680 | | 113 | | 1.95 | 2.5 | 7638 | 576 | | | 114 | 2.30 | GFA159R99
GFAF159R99
GF159R99
GFF159R99 | | | 4P | 2.0 | 9627 | 726 | | | 86 | | | | | 1.25 | GFA129R79
GFAF129R79
GF129R79
GFF129R79 | 4P | 3.2 | 5914 | 446 | 114 | | | 3.00 | 4.7 | 4004 | 302 | | | 114 | 4.40 | GFA159R99
GFAF159R99
GF159R99
GFF159R99 | | | 4P | 2.2 | 8579 | 647 | | | 86 | | | | | 1.40 | GFA109R79
GFAF109R79
GF109R79
GFF109R79 | 4P | 5.2 | 3620 | 273 | 114 | | | 4.85 | 6.2 | 3076 | 232 | | | 114 | 5.70 | GFA159R99
GFAF159R99
GF159R99
GFF159R99 | | | 4P | 2.6 | 7266 | 548 | | | 86 | | | | | 1.65 | GFA109R79
GFAF109R79
GF109R79
GFF109R79 | 4P | 7.3 | 2612 | 197 | 114 | | | 6.90 | 1.3 | 14254 | 1075 | | | 81 | 0.85 | GFA159R99
GFAF159R99
GF159R99
GFF159R99 | | | 4P | 2.9 | 6550 | 494 | | | 86 | | | | | 1.80 | GFA109R79
GFAF109R79
GF109R79
GFF109R79 | 4P | 1.5 | 12318 | 929 | 85 | | | 1.00 | 1.7 | 10860 | 819 | | | 86 | 1.10 | GFA159R99
GFAF159R99
GF159R99
GFF159R99 | | | 4P | 3.3 | 5675 | 428 | | | 86 | | | | | 2.10 | GFA109R79
GFAF109R79
GF109R79
GFF109R79 | 4P | 2.0 | 9627 | 726 | 86 | | | 1.25 | 2.2
 | 8579 | | | 647 | 86 | 1.40 | GFA159R99
GFAF159R99
GF159R99
GFF159R99 | | | 4P | 2.2 | | | 8486 | 640 | 45 | | | | | 0.90 | GFA99R59
GFAF99R59
GF99R59
GFF99R59 | 4P | 2.6 | 7266 | 548 | 86 | | | 1.65 | 2.9 | 6550 | | | 494 | 86 | 1.80 | GFA159R99
GFAF159R99
GF159R99
GFF159R99 | | | 4P | 2.6 | | | 7425 | 560 | 48 | | | | 1.05 | | GFA109R79
GFAF109R79
GF109R79
GFF109R79 | 4P | 3.3 | 5675 | 428 | 86 | | | 2.10 | 3.3 | 5781 | | | 436 | 51 | 1.35 | GFA159R99
GFAF159R99
GF159R99
GFF159R99 | | | 4P | 2.9 | 6484 | 489 | | | 50 | | | | 1.20 | GFA109R79
GFAF109R79
GF109R79
GFF109R79 | | 4P | 3.9 | 4906 | 370 | 53 | 1.60 | | 4.3 | 4416 | | | | 333 | 54 | 1.75 | GFA159R99
GFAF159R99
GF159R99
GFF159R99 | | | 4P | 3.9 | 4906 | 370 | | | 53 | | 1.60 | GFA109R79
GFAF109R79
GF109R79
GFF109R79 | | | | 4P | 5.0 | 3779 | 285 | 30 | 1.15 | 5.8 | 3249 | 245 | | | | | 31 | 1.30 | GFA159R99
GFAF159R99
GF159R99
GFF159R99 | | | 4P | 4.3 | 4416 | 333 | | | 54 | | 1.75 | GFA99R59
GFAF99R59
GF99R59
GFF99R59 | | | | 4P | | | | | | | | | | | | | | | | | | | | | | | | | | | | | | | | | | | | | | | | | | | | | | | | | | | | | | | | | | | | | | | | | | | | | | | | | | | | | | |
 | | | | | | | | | | | | | | | | | | | | | | | | | | | | | | | | | | | | | | | | | | |
| 13 | 1064 | 109.49 | 27 | 2.70 | | | 14 | 952 | 97.89 | 28 | 3.00 | | | | | 8.4 | 1618 | 166.47 | 14 | 0.90 | | | | | GFA79
GFAF79
GF79
GFF79 | 4P | 64 | 212 | 21.82 | | | 5.9 | 1.80 | | | GFA49
GFAF49
GF49
GFF49 | 4P | 9.8 | 1383 | 142.27 | 15 | 1.05 | | | 11 | 1268 | 130.42 | 16 | 1.15 | 12 | 1113 | 114.45 | 17 | 1.30 | | | 13 | 1054 | 108.46 | 17 | 1.35 | | | | | GFA79
GFAF79
GF79
GFF79 | 4P | 68 | 200 | 20.57 | 3.2 | 0.95 | | | | | GFA39
GFAF39
GF39
GFF39 | 4P | 15 | 923 | 94.93 | 17 | 1.55 | | | 16 | 831 | 85.52 | 18 | 1.75 | 19 | 729 | 75.02 | 18 | 1.95 | | | 19 | 705 | 72.50 | 18 | 2.00 | | | | | GFA79
GFAF79
GF79
GFF79 | 4P | 73 | 187 | 19.27 | 3.2 | 1.00 | | | | | GFA159R99
GFAF159R99
GF159R99
GFF159R99 | 4P | 21 | 646 | 66.46 | 18 | 2.20 | | | 24 | 567 | 58.32 | 19 | 2.50 | 25 | 537 | 55.27 | 19 | 2.70 | | | 29 | 470 | 48.37 | 19 | 3.00 | | | | | GFA79
GFAF79
GF79
GFF79 | 4P | 82 | 166 | 17.03 | 3.2 | 1.15 | | | | | GFA159R99
GFAF159R99
GF159R99
GFF159R99 | 4P | 32 | 424 | 43.58 | 19 | 3.40 | | | 37 | 372 | 38.23 | 19 | 3.90 | 38 | 356 | 36.58 | 19 | 3.00 | | | GFA79
GFAF79
GF79
GFF79 | 4P | 88 | 159 | 16.36 | | | | | | | 5.6 | 2.40 | GFA159R99
GFAF159R99
GF159R99
GFF159R99 | 4P | 44 | | | 306 | 31.51 | | | 19 | 4.30 | 15 | 881 | 90.59 | 8.8 | 0.90 | GFA79
GFAF79
GF79
GFF79 | 4P | 86 | 135
 | 13.93 | | | | | 5.4 | | | 2.80 | GFA159R99
GFAF159R99
GF159R99
GFF159R99 | | | 4P | 18 | 775 | 79.76 | | | | | 10 | 1.00 | 21 | 658 | 67.65 | 11 | 1.20 | GFA79
GFAF79
GF79
GFF79 | 4P | 82 | | | 166 | 17.03 | | | 3.2 | | | 1.15 | GFA39
GFAF39
GF39
GFF39 | | 4P | 23 | | 594 | 61.07 | | | | 11 | | 1.30 | 26 | 522 | 53.73 | 12 | 1.50 | GFA79
GFAF79
GF79
GFF79 | 4P | 98 | | | 139 | 14.33 | | | 3.2 | | | 1.35 | GFA159R99
GFAF159R99
GF159R99
GFF159R99 | | 4P | 28 | | 493 | 50.74 | | | | | 12 | 1.60 | 32 | 420 | 43.20 | 12 | 1.85 | GFA79
GFAF79
GF79
GFF79 | 4P | 109 | | | 125 | 12.87 | | | 3.1 | | | 1.55 | GFA159R99
GFAF159R99
GF159R99
GFF159R99 | | 4P | 36 | | 382 | | 39.26 | | | | 12 | 1.95 | 39 | 353 | 36.30 | 12 | 2.20 | GFA79
GFAF79
GF79
GFF79 | 4P | 126 | | | 108 | 11.08 | | | 3.1 | | | 1.70 | GFA159R99
GFAF159R99
GF159R99
GFF159R99 | | | 4P | 44 | 312 | | | 32.08 | | | 12 | 2.50 | 51 | 266 | 27.41 | 12 | 2.90 | GFA79
GFAF79
GF79
GFF79 | 4P | 134 | | | 101 | 10.42 | | | 3.1 | | | 1.75 | GFA159R99
GFAF159R99
GF159R99
GFF159R99 | | | 4P | 56 | 244 | | | 25.13 | | | 12 | 3.20 | 24 | 573 | 58.97
 | 8.7 | 1.00 | GFA79
GFAF79
GF79
GFF79 | 4P | 156 | | | 87 | 8.97 | | | 3.0 | | | 1.90 | GFA159R99
GFAF159R99
GF159R99
GFF159R99 | | | 4P | 28 | 487 | | | 50.10 | | | 9.4 | 1.20 | 31 | 435 | 44.73 | 9.5 | 1.30 | GFA79
GFAF79
GF79
GFF79 | 4P | 174 | | | 78 | 8.03 | | | 2.9 | | | 2.10 | GFA159R99
GFAF159R99
GF159R99
GFF159R99 | | | 4P | 37 | 371 | | | 38.21 | | | 9.3 | 1.55 | 39 | 348 | 35.79 | 9.1 | 1.65 | GFA79
GFAF79
GF79
GFF79 | 4P | 0.99 | | | 19107 | 1441 | | | | | 93 | 0.95 | GFA159R99
GFAF159R99
GF159R99
GFF159R99 | | | 4P | 46 | 293 | | | 30.15 | | | 8.8 | 1.95 | 5.0 | 3779 | 285 | 30 | 1.15 | GFA159R99
GFAF159R99
GF159R99
GFF159R99 | 4P | 1.1 | | | 17344 | 1308 | | | | | 96 | 1.05 | GFA129R79
GFAF129R79
GF129R79
GFF129R79 | | | 4P | 5.8 | 3249 | | | 245 | | | 31 | 1.30 | 1.2 | 15501 | 1169 | 101 | 1.15 | GFA159R99
GFAF159R99
GF159R99
GFF159R99 | 4P | 1.5 | | | 12637 | 953 | | | | | 107 | 1.40 | GFA129R79
GFAF129R79
GF129R79
GFF129R79 | | | 4P | 1.7 | 11205 | | | 845 | | | 110 | 1.60 | 1.9 | 10130 | 764 | 111 | 1.75 | GFA159R99
GFAF159R99
GF159R99
GFF159R99 | 4P | 1.7 | | | 10860 | 819 | | | | | 86 | 1.10 | GFA109R79
GFAF109R79
GF109R79
GFF109R79 |
 | | 4P | | | 2.1 | 9017 | 680 | | | 113 | 1.95 | 2.5 | 7638 | 576 | 114 | 2.30 | GFA159R99
GFAF159R99
GF159R99
GFF159R99 | 4P | 2.0 | | | 9627 | 726 | | | | | 86 | 1.25 | GFA129R79
GFAF129R79
GF129R79
GFF129R79 | | | 4P | | | 3.2 | 5914 | 446 | | | 114 | 3.00 | 4.7 | 4004 | 302 | 114 | 4.40 | GFA159R99
GFAF159R99
GF159R99
GFF159R99 | 4P | 2.2 | | | 8579 | 647 | | | | | 86 | 1.40 | GFA109R79
GFAF109R79
GF109R79
GFF109R79 | | | 4P | | | 5.2 | 3620 | 273 | | | 114 | 4.85 | 6.2 | 3076 | 232 | 114 | 5.70 | GFA159R99
GFAF159R99
GF159R99
GFF159R99 | 4P | 2.6 | | | 7266 | 548 | | | | | 86 | 1.65 | GFA109R79
GFAF109R79
GF109R79
GFF109R79 | | | 4P | | | 7.3 | 2612 | 197 | | | 114 | 6.90 | 1.3 | 14254 | 1075 | 81 | 0.85 | GFA159R99
GFAF159R99
GF159R99
GFF159R99 | 4P | 2.9 | | | 6550 | 494 | | | | | 86 | 1.80 | GFA109R79
GFAF109R79
GF109R79
GFF109R79 | | | 4P | | | 1.5 | 12318 | 929 | | | 85 | 1.00 | 1.7 | 10860 | 819 | 86 | 1.10 | GFA159R99
GFAF159R99
GF159R99
GFF159R99 | 4P | 3.3 | | | 5675 | 428 | | | | | 86 | 2.10 | GFA109R79
GFAF109R79
GF109R79
GFF109R79 | | | 4P | | | 2.0 | 9627 | 726 | | | 86 | 1.25 | 2.2 | 8579 | 647 | 86 | 1.40 |
GFA159R99
GFAF159R99
GF159R99
GFF159R99 | 4P | | | 2.2 | 8486 | 640 | | | | | 45 | | | 0.90 | GFA99R59
GFAF99R59
GF99R59
GFF99R59 | 4P | | | 2.6 | 7266 | 548 | | | 86 | 1.65 | 2.9 | 6550 | 494 | 86 | 1.80 | GFA159R99
GFAF159R99
GF159R99
GFF159R99 | 4P | | | 2.6 | 7425 | 560 | | | | | 48 | | | 1.05 | GFA109R79
GFAF109R79
GF109R79
GFF109R79 | 4P | | | 3.3 | 5675 | 428 | | | 86 | 2.10 | 3.3 | 5781 | 436 | 51 | 1.35 | GFA159R99
GFAF159R99
GF159R99
GFF159R99 | 4P | | | 2.9 | 6484 | 489 | | | | | 50 | 1.20 | GFA109R79
GFAF109R79
GF109R79
GFF109R79 | | | 4P | | | 3.9 | 4906 | | 370 | | 53 | 1.60 | 4.3 | 4416 | 333 | 54 | 1.75 | GFA159R99
GFAF159R99
GF159R99
GFF159R99 | 4P | | | 3.9 | 4906 | 370 | | | | | 53 | 1.60 | GFA109R79
GFAF109R79
GF109R79
GFF109R79 | | | 4P | | 5.0 | | | 3779 | 285 | | 30 | 1.15 | 5.8 | 3249 | 245 | 31 | 1.30 | GFA159R99
GFAF159R99
GF159R99
GFF159R99 | | | 4P | 4.3 | 4416 | 333 | | | | | 54 | 1.75 | GFA99R59
GFAF99R59
GF99R59
GFF99R59 | | | 4P | | | | | | | | | | | | | | | | | | | | | | | | | | | | | | | | | | | | | | | | | | | | | | | | | | | | | | | | | | | | | | | | | | | | | | | | | | | | | | | | | | | | | |
 | | | | | | | | | | | | | | | | | | | | | | | | | | | | | | | | | | | | | | | | | | |
| 14 | 952 | 97.89 | 28 | 3.00 | | | 8.4 | 1618 | 166.47 | 14 | 0.90 | | | | | GFA79
GFAF79
GF79
GFF79 | 4P | 64 | 212 | 21.82 | 5.9 | 1.80 | | | | | GFA49
GFAF49
GF49
GFF49 | 4P | 9.8 | 1383 | 142.27 | 15 | 1.05 | | | | | 11 | 1268 | 130.42 | 16 | 1.15 | | | 12 | 1113 | 114.45 | 17 | 1.30 | 13 | 1054 | 108.46 | 17 | 1.35 | | | GFA79
GFAF79
GF79
GFF79 | 4P | 68 | 200 | 20.57 | 3.2 | 0.95 | | | | | GFA39
GFAF39
GF39
GFF39 | 4P | 15 | 923 | 94.93 | 17 | 1.55 | | | | | 16 | 831 | 85.52 | 18 | 1.75 | | | 19 | 729 | 75.02 | 18 | 1.95 | 19 | 705 | 72.50 | 18 | 2.00 | | | GFA79
GFAF79
GF79
GFF79 | 4P | 73 | 187 | 19.27 | 3.2 | 1.00 | | | | | GFA159R99
GFAF159R99
GF159R99
GFF159R99 | 4P | 21 | 646 | 66.46 | 18 | 2.20 | | | | | 24 | 567 | 58.32 | 19 | 2.50 | | | 25 | 537 | 55.27 | 19 | 2.70 | 29 | 470 | 48.37 | 19 | 3.00 | | | GFA79
GFAF79
GF79
GFF79 | 4P | 82 | 166 | 17.03 | 3.2 | 1.15 | | | | | GFA159R99
GFAF159R99
GF159R99
GFF159R99 | 4P | 32 | 424 | 43.58 | 19 | 3.40 | | | | | 37 | 372 | 38.23 | 19 | 3.90 | | | 38 | 356 | 36.58 | 19 | 3.00 | GFA79
GFAF79
GF79
GFF79 | 4P | 88 | 159 | 16.36 | | | | | 5.6 | 2.40 | GFA159R99
GFAF159R99
GF159R99
GFF159R99 | 4P | 44 | | | | | 306 | 31.51 | | | 19 | 4.30 | 15 | 881 | 90.59 | | | 8.8 | 0.90 | GFA79
GFAF79
GF79
GFF79 | 4P | 86 | 135 | 13.93 | | | 5.4 | 2.80
 | GFA159R99
GFAF159R99
GF159R99
GFF159R99 | | | | | 4P | 18 | 775 | 79.76 | | | | | 10 | 1.00 | 21 | | 658 | 67.65 | | 11 | 1.20 | GFA79
GFAF79
GF79
GFF79 | 4P | 82 | 166 | 17.03 | | | 3.2 | | | 1.15 | GFA39
GFAF39
GF39
GFF39 | | | 4P | 23 | 594 | 61.07 | | | | 11 | | 1.30 | 26 | | 522 | | 53.73 | 12 | 1.50 | GFA79
GFAF79
GF79
GFF79 | 4P | 98 | 139 | 14.33 | | | 3.2 | | | 1.35 | GFA159R99
GFAF159R99
GF159R99
GFF159R99 | | | 4P | 28 | 493 | 50.74 | | | | 12 | | 1.60 | 32 | 420 | | 43.20 | | 12 | 1.85 | GFA79
GFAF79
GF79
GFF79 | 4P | 109 | 125 | 12.87 | | | 3.1 | | | 1.55 | GFA159R99
GFAF159R99
GF159R99
GFF159R99 | | | 4P | 36 | 382 | 39.26 | | | | 12 | | 1.95 | 39 | 353 | | 36.30 | | 12 | 2.20 | GFA79
GFAF79
GF79
GFF79 | 4P | 126 | 108 | 11.08 | | | 3.1 | | | 1.70 | GFA159R99
GFAF159R99
GF159R99
GFF159R99 | | | 4P | 44 | 312 | 32.08 | | | | | 12 | 2.50 | 51 | 266 | 27.41 | | | 12 | 2.90 | GFA79
GFAF79
GF79
GFF79 | 4P | 134 | 101 | 10.42 | | | 3.1 | | | 1.75 | GFA159R99
GFAF159R99
GF159R99
GFF159R99 | | | 4P | 56 | 244 | 25.13 | | | | | 12 | 3.20 | 24 | 573 | 58.97 | | | 8.7 | 1.00 | GFA79
GFAF79
GF79
GFF79 | 4P | 156
 | 87 | 8.97 | | | 3.0 | | | 1.90 | GFA159R99
GFAF159R99
GF159R99
GFF159R99 | | | 4P | 28 | 487 | 50.10 | | | | | 9.4 | 1.20 | 31 | 435 | 44.73 | | | 9.5 | 1.30 | GFA79
GFAF79
GF79
GFF79 | 4P | 174 | 78 | 8.03 | | | 2.9 | | | 2.10 | GFA159R99
GFAF159R99
GF159R99
GFF159R99 | | | 4P | 37 | 371 | 38.21 | | | | | 9.3 | 1.55 | 39 | 348 | 35.79 | | | 9.1 | 1.65 | GFA79
GFAF79
GF79
GFF79 | 4P | 0.99 | 19107 | 1441 | | | 93 | | | 0.95 | GFA159R99
GFAF159R99
GF159R99
GFF159R99 | | | 4P | 46 | 293 | 30.15 | | | | | 8.8 | 1.95 | 5.0 | 3779 | 285 | | | 30 | 1.15 | GFA159R99
GFAF159R99
GF159R99
GFF159R99 | 4P | 1.1 | 17344 | 1308 | | | 96 | | | 1.05 | GFA129R79
GFAF129R79
GF129R79
GFF129R79 | | | 4P | 5.8 | 3249 | 245 | | | | | 31 | 1.30 | 1.2 | 15501 | 1169 | | | 101 | 1.15 | GFA159R99
GFAF159R99
GF159R99
GFF159R99 | 4P | 1.5 | 12637 | 953 | | | 107 | | | 1.40 | GFA129R79
GFAF129R79
GF129R79
GFF129R79 | | | 4P | 1.7 | 11205 | 845 | | | | | 110 | 1.60 | 1.9 | 10130 | 764 | | | 111 | 1.75 | GFA159R99
GFAF159R99
GF159R99
GFF159R99 | 4P | 1.7 | 10860 | 819 | | | 86 | | | 1.10 | GFA109R79
GFAF109R79
GF109R79
GFF109R79 | | 4P | 2.1 | | 9017 | 680 | | | | | | | | | | | | | | | | | | | | | | | | | | | | | | | | | | | | | | | | | | | | | | | | | | | | | | | |
 | | | 113 | 1.95 | 2.5 | 7638 | 576 | | | 114 | 2.30 | GFA159R99
GFAF159R99
GF159R99
GFF159R99 | 4P | 2.0 | 9627 | 726 | | | 86 | | | 1.25 | GFA129R79
GFAF129R79
GF129R79
GFF129R79 | | 4P | 3.2 | | 5914 | 446 | | | | | 114 | 3.00 | 4.7 | 4004 | 302 | | | 114 | 4.40 | GFA159R99
GFAF159R99
GF159R99
GFF159R99 | 4P | 2.2 | 8579 | 647 | | | 86 | | | 1.40 | GFA109R79
GFAF109R79
GF109R79
GFF109R79 | | 4P | 5.2 | | 3620 | 273 | | | | | 114 | 4.85 | 6.2 | 3076 | 232 | | | 114 | 5.70 | GFA159R99
GFAF159R99
GF159R99
GFF159R99 | 4P | 2.6 | 7266 | 548 | | | 86 | | | 1.65 | GFA109R79
GFAF109R79
GF109R79
GFF109R79 | | 4P | 7.3 | | 2612 | 197 | | | | | 114 | 6.90 | 1.3 | 14254 | 1075 | | | 81 | 0.85 | GFA159R99
GFAF159R99
GF159R99
GFF159R99 | 4P | 2.9 | 6550 | 494 | | | 86 | | | 1.80 | GFA109R79
GFAF109R79
GF109R79
GFF109R79 | | 4P | 1.5 | | 12318 | 929 | | | | | 85 | 1.00 | 1.7 | 10860 | 819 | | | 86 | 1.10 | GFA159R99
GFAF159R99
GF159R99
GFF159R99 | 4P | 3.3 | 5675 | 428 | | | 86 | | | 2.10 | GFA109R79
GFAF109R79
GF109R79
GFF109R79 | | 4P | 2.0 | | 9627 | 726 | | | | | 86 | 1.25 | 2.2 | 8579 | 647 | | | 86 | 1.40 | GFA159R99
GFAF159R99
GF159R99
GFF159R99 | 4P | 2.2 | 8486 | 640 |
 | | | | 45 | 0.90 | GFA99R59
GFAF99R59
GF99R59
GFF99R59 | | 4P | 2.6 | | 7266 | | | 548 | | | 86 | 1.65 | 2.9 | 6550 | 494 | | | 86 | 1.80 | GFA159R99
GFAF159R99
GF159R99
GFF159R99 | 4P | 2.6 | 7425 | 560 | | | | | 48 | 1.05 | GFA109R79
GFAF109R79
GF109R79
GFF109R79 | | 4P | 3.3 | | 5675 | | | 428 | | | 86 | 2.10 | 3.3 | 5781 | 436 | | | 51 | 1.35 | GFA159R99
GFAF159R99
GF159R99
GFF159R99 | 4P | 2.9 | 6484 | 489 | | | | | 50 | 1.20 | GFA109R79
GFAF109R79
GF109R79
GFF109R79 | | 4P | 3.9 | | 4906 | 370 | | | | | 53 | 1.60 | 4.3 | 4416 | | 333 | | 54 | 1.75 | GFA159R99
GFAF159R99
GF159R99
GFF159R99 | 4P | 3.9 | 4906 | 370 | | | | | 53 | 1.60 | GFA109R79
GFAF109R79
GF109R79
GFF109R79 | | 4P | 5.0 | | 3779 | 285 | | | | | 30 | 1.15 | | 5.8 | 3249 | 245 | | 31 | 1.30 | GFA159R99
GFAF159R99
GF159R99
GFF159R99 | 4P | 4.3 | 4416 | 333 | | | | | 54 | 1.75 | GFA99R59
GFAF99R59
GF99R59
GFF99R59 | | 4P | | | | | | | | | | | | | | | | | | | | | | | | | | | | | | | | | | | | | | | | | | | | | | | | | | | | | | | | | | | | | | | | | | | | | | | | | | | | | | | | | | | | | | | | | | | | | |
 | | | | | | | | | | | | | | | | | | | | | | | | | | | | | | | | | | | | | | | | | | |
| 8.4 | 1618 | 166.47 | 14 | 0.90 | | | GFA79
GFAF79
GF79
GFF79 | 4P | 64 | 212 | 21.82 | | | 5.9 | 1.80 | | | GFA49
GFAF49
GF49
GFF49 | 4P | | | | | | | | | | | | | | | | | | | | | | | | | | | | | | | | | | | | | | | | | | | | | | | | | | | | | | | | | | | | | | | | | | | | | | | | | | | | | | | | | | | | | | | | | | | | | | | | | | | | | | | | | | | | | | | | | | | | | | | | | | | | | | | | | | | | | | | | | | | | | | | | | | | | | | | | | | | | | | | | | | | | | | | | | | | | | | | | | | | | | | | | | | | | | | | | |
 | | | | | | | | | | | | | | | | | | | | | | | | | | | | | | | | | | | | | | | | | | | | | | | | | | | | | | | | | | | | | | | | | | | | | | | | | | | | | | | | | | | | | | | | | | | | | | | | | | | | | | | | | | | | | | | | | | | | | | | | | | | | | | | | | | | | | | | | | | | | | | | | | | | | | | | | | | | | | | | | | | | | | | | | | | | | | | | | | | | |
 | | | | | | | | | | | | | | | | | | | | | | | | | | | | | | | | | | | | | | | | | | | | | | | | | | | | | | | | | | | | | | | | | | | | | | | | | | | | | | | | | | | | | | | | | | | | | | | | | | | | | | | | | | | | | | | | | | | | | | | | | | | | | | | | | | | | | | | | | | | | | | | | | | | | | | | | | | | | | | | | | | | | | | | | | | | |
 | | | | | | | | | | | | | | | | | | | | | | | | | | | | | | | | | | | | | | | | | | | | | | | | | | | | | | | | | | | | | | | | | | | | | | | | | | | | | | | | | | | | | | | | | | | | | | | | | | | | | | | | | | | | | | | | | | | | | | | | | | | | | | | | | | | | | | | | | | | | | | | | | | | | | | | | | | | | | | | | | | | | | | | | | | | |
 | | | | | | | | | | | | | | | | | | | | | | | | | | | | | | | | | | | | | | | | | | | | | | | | | | | | | | | | | | | | | | | | | | | | | | | | | | | | | | | | | | | | | | | | | | | | | | | | | | | | | | | | | | | | | | | | | | | | | | | | | | | | | | | | | | | | | | | | | | | | | | | | | | | | | | | | | | | | | | | | | | | | | | | | | | | | | | | | | | | | | | | | | | | | | | | | | | | | | | | | | | | | | | | | | | | | | | | | | | | | | | | | | |
 | | | | | | | | | | | | | | | | | | | | | | | | | | | | | | | | | | | | | | | | | | |
| 9.8 | 1383 | 142.27 | 15 | 1.05 | 11 | 1268 | | | 130.42 | 16 | 1.15 | 12 | 1113 | 114.45 | 17 | | | | | 1.30 | 13 | 1054 | 108.46 | 17 | | | | | 1.35 | GFA79
GFAF79
GF79
GFF79 | 4P | 68 | 200 | | | | | 20.57 | 3.2 | 0.95 | GFA39
GFAF39
GF39
GFF39 | 4P | | | 15 | 923 | 94.93 | 17 | 1.55 | 16 | 831 | 85.52 | 18 | 1.75 | 19 | 729 | | | 75.02 | 18 | 1.95 | 19 | 705 | 72.50 | 18 | | | | | 2.00 | GFA79
GFAF79
GF79
GFF79 | 4P | 73 | 187 | | | | | 19.27 | 3.2 | 1.00 | GFA159R99
GFAF159R99
GF159R99
GFF159R99 | 4P | | | 21 | 646 | 66.46 | 18 | 2.20 | 24 | 567 | 58.32 | 19 | 2.50 | 25 | 537 | | | 55.27 | 19 | 2.70 | 29 | 470 | 48.37 | 19 | | | | | 3.00 | GFA79
GFAF79
GF79
GFF79 | 4P | 82 | 166 | | | | | 17.03 | 3.2 | 1.15 | GFA159R99
GFAF159R99
GF159R99
GFF159R99 | 4P | | | 32 | 424 | 43.58 | 19 | 3.40 | 37 | 372 | 38.23 | 19 | 3.90 | 38 | 356 | | | 36.58 | 19 | 3.00 | GFA79
GFAF79
GF79
GFF79 | 4P | 88 | 159 | | | | | 16.36 | 5.6 | 2.40 | GFA159R99
GFAF159R99
GF159R99
GFF159R99 | 4P | | | | | 44 | 306 | 31.51 | 19 | 4.30 | | | 15 | 881 | 90.59 | 8.8 | 0.90 | | | GFA79
GFAF79
GF79
GFF79 | 4P | 86 | 135 | 13.93 | | | 5.4 | 2.80 | | | GFA159R99
GFAF159R99
GF159R99
GFF159R99 | 4P | 18 | | | 775 | 79.76 | | | 10 | 1.00 | 21 | 658 | 67.65 | | | 11 | 1.20 | | | GFA79
GFAF79
GF79
GFF79 | 4P | 82 | | | 166 | 17.03
 | | 3.2 | 1.15 | | | | GFA39
GFAF39
GF39
GFF39 | 4P | 23 | | 594 | 61.07 | | 11 | 1.30 | 26 | | 522 | 53.73 | | 12 | 1.50 | | | GFA79
GFAF79
GF79
GFF79 | 4P | 98 | | | 139 | 14.33 | 3.2 | 1.35 | | | | | GFA159R99
GFAF159R99
GF159R99
GFF159R99 | 4P | 28 | | 493 | | 50.74 | 12 | 1.60 | 32 | | 420 | | 43.20 | 12 | 1.85 | | | GFA79
GFAF79
GF79
GFF79 | 4P | 109 | | | 125 | 12.87 | 3.1 | 1.55 | | | | | GFA159R99
GFAF159R99
GF159R99
GFF159R99 | 4P | 36 | | 382 | | 39.26 | 12 | 1.95 | 39 | 353 | | 36.30 | | 12 | 2.20 | | | GFA79
GFAF79
GF79
GFF79 | 4P | 126 | | | 108 | 11.08 | 3.1 | 1.70 | | | | | GFA159R99
GFAF159R99
GF159R99
GFF159R99 | 4P | 44 | | 312 | | 32.08 | 12 | 2.50 | 51 | 266 | | 27.41 | | 12 | 2.90 | | | GFA79
GFAF79
GF79
GFF79 | 4P | 134 | | | 101 | 10.42 | 3.1 | 1.75 | | | | | GFA159R99
GFAF159R99
GF159R99
GFF159R99 | 4P | 56 | | 244 | 25.13 | | 12 | 3.20 | 24 | 573 | 58.97 | | | 8.7 | 1.00 | | | GFA79
GFAF79
GF79
GFF79 | 4P | 156 | | | 87 | 8.97 | 3.0 | 1.90 | | | | | GFA159R99
GFAF159R99
GF159R99
GFF159R99 | 4P | 28 | | 487 | 50.10 | | 9.4 | 1.20 | 31 | 435 | 44.73 | | | 9.5 | 1.30 | | |
GFA79
GFAF79
GF79
GFF79 | 4P | 174 | | | 78 | 8.03 | 2.9 | 2.10 | | | | | GFA159R99
GFAF159R99
GF159R99
GFF159R99 | 4P | 37 | | 371 | 38.21 | | 9.3 | 1.55 | 39 | 348 | 35.79 | | | 9.1 | 1.65 | | | GFA79
GFAF79
GF79
GFF79 | 4P | 0.99 | | | 19107 | 1441 | 93 | 0.95 | | | | | GFA159R99
GFAF159R99
GF159R99
GFF159R99 | 4P | 46 | | 293 | 30.15 | | 8.8 | 1.95 | 5.0 | 3779 | 285 | | | 30 | 1.15 | | | GFA159R99
GFAF159R99
GF159R99
GFF159R99 | 4P | 1.1 | | | 17344 | 1308 | 96 | 1.05 | | | | | GFA129R79
GFAF129R79
GF129R79
GFF129R79 | 4P | 5.8 | | 3249 | 245 | | 31 | 1.30 | 1.2 | 15501 | 1169 | | | 101 | 1.15 | | | GFA159R99
GFAF159R99
GF159R99
GFF159R99 | 4P | 1.5 | | | 12637 | 953 | 107 | 1.40 | | | | | GFA129R79
GFAF129R79
GF129R79
GFF129R79 | 4P | 1.7 | | 11205 | 845 | | 110 | 1.60 | 1.9 | 10130 | 764 | | | 111 | 1.75 | | | GFA159R99
GFAF159R99
GF159R99
GFF159R99 | 4P | 1.7 | | | 10860 | 819 | 86 | 1.10 | | | | | GFA109R79
GFAF109R79
GF109R79
GFF109R79 | 4P | 2.1 | | 9017 | 680 | | 113 | 1.95 | 2.5 | 7638 | 576 | | | 114 | 2.30 | | | GFA159R99
GFAF159R99
GF159R99
GFF159R99 | 4P | 2.0 | | | 9627 | 726 | 86 | 1.25 | | | | GFA129R79
GFAF129R79
GF129R79
GFF129R79 | | 4P | 3.2 |
 5914 | 446 | | 114 | 3.00 | 4.7 | 4004 | 302 | | | 114 | 4.40 | | | GFA159R99
GFAF159R99
GF159R99
GFF159R99 | 4P | 2.2 | | | 8579 | 647 | 86 | 1.40 | | | | GFA109R79
GFAF109R79
GF109R79
GFF109R79 | | 4P | 5.2 | | 3620 | 273 | | 114 | 4.85 | 6.2 | 3076 | 232 | | | 114 | 5.70 | | | GFA159R99
GFAF159R99
GF159R99
GFF159R99 | 4P | 2.6 | | | 7266 | 548 | 86 | 1.65 | | | | GFA109R79
GFAF109R79
GF109R79
GFF109R79 | | 4P | 7.3 | | 2612 | 197 | | 114 | 6.90 | 1.3 | 14254 | 1075 | | | 81 | 0.85 | | | GFA159R99
GFAF159R99
GF159R99
GFF159R99 | 4P | 2.9 | | | 6550 | 494 | 86 | 1.80 | | | | GFA109R79
GFAF109R79
GF109R79
GFF109R79 | | 4P | 1.5 | | 12318 | 929 | | 85 | 1.00 | 1.7 | 10860 | 819 | | | 86 | 1.10 | | | GFA159R99
GFAF159R99
GF159R99
GFF159R99 | 4P | 3.3 | | | 5675 | 428 | 86 | 2.10 | | | | GFA109R79
GFAF109R79
GF109R79
GFF109R79 | | 4P | 2.0 | | 9627 | 726 | | 86 | 1.25 | 2.2 | 8579 | 647 | | | 86 | 1.40 | | | GFA159R99
GFAF159R99
GF159R99
GFF159R99 | 4P | 2.2 | | | 8486 | 640 | 45 | 0.90 | | | | GFA99R59
GFAF99R59
GF99R59
GFF99R59 | | 4P | 2.6 | | 7266 | 548 | | 86 | 1.65 | 2.9 | 6550 | 494 | | | 86 | 1.80 | | | GFA159R99
GFAF159R99
GF159R99
GFF159R99 | 4P | 2.6 |
 | | 7425 | 560 | 48 | 1.05 | | | | GFA109R79
GFAF109R79
GF109R79
GFF109R79 | | 4P | 3.3 | 5675 | 428 | | | 86 | 2.10 | 3.3 | 5781 | 436 | | | 51 | 1.35 | | | GFA159R99
GFAF159R99
GF159R99
GFF159R99 | 4P | 2.9 | | | 6484 | 489 | 50 | 1.20 | | | | GFA109R79
GFAF109R79
GF109R79
GFF109R79 | | 4P | 3.9 | 4906 | 370 | | | 53 | 1.60 | 4.3 | 4416 | 333 | | | 54 | 1.75 | | | GFA159R99
GFAF159R99
GF159R99
GFF159R99 | 4P | 3.9 | | | 4906 | 370 | 53 | 1.60 | | | | GFA109R79
GFAF109R79
GF109R79
GFF109R79 | | 4P | 5.0 | | 3779 | 285 | | 30 | 1.15 | 5.8 | 3249 | | 245 | | 31 | 1.30 | | | GFA159R99
GFAF159R99
GF159R99
GFF159R99 | 4P | 4.3 | | | 4416 | 333 | 54 | 1.75 | | | | GFA99R59
GFAF99R59
GF99R59
GFF99R59 | | 4P | | | | | | | | | | | | | | | | | | | | | | | | | | | | | | | | | | | | | | | | | | | | | | | | | | | | | | | | | | | | | | | | | | | | | | | | | | | | | | | | | | | | | | | | | | | | | | | | | | | | | | | | | | | | | | | | | | | | | | | | | |
 | | | | | | | | | | | | | | | | | | | | | | | | | | | | | | | | | | | | | | | | | | |
| 11 | 1268 | 130.42 | 16 | 1.15 | 12 | 1113 | | | 114.45 | 17 | 1.30 | 13 | 1054 | 108.46 | 17 | | | | | 1.35 | GFA79
GFAF79
GF79
GFF79 | 4P | 68 | 200 | | | | | 20.57 | | | 3.2 | 0.95 | GFA39
GFAF39
GF39
GFF39 | 4P | | | 15 | 923 | 94.93 | | | 17 | 1.55 | 16 | 831 | 85.52 | 18 | 1.75 | 19 | 729 | 75.02 | 18 | 1.95 | 19 | 705 | | | 72.50 | 18 | 2.00 | GFA79
GFAF79
GF79
GFF79 | 4P | 73 | 187 | | | | | 19.27 | | | 3.2 | 1.00 | GFA159R99
GFAF159R99
GF159R99
GFF159R99 | 4P | | | 21 | 646 | 66.46 | | | 18 | 2.20 | 24 | 567 | 58.32 | 19 | 2.50 | 25 | 537 | 55.27 | 19 | 2.70 | 29 | 470 | | | 48.37 | 19 | 3.00 | GFA79
GFAF79
GF79
GFF79 | 4P | 82 | 166 | | | | | 17.03 | | | 3.2 | 1.15 | GFA159R99
GFAF159R99
GF159R99
GFF159R99 | 4P | | | 32 | 424 | 43.58 | | | 19 | 3.40 | 37 | 372 | 38.23 | 19 | 3.90 | 38 | 356 | 36.58 | 19 | 3.00 | GFA79
GFAF79
GF79
GFF79 | 4P | | | 88 | 159 | 16.36 | | | 5.6 | 2.40 | | | | | GFA159R99
GFAF159R99
GF159R99
GFF159R99 | 4P | 44 | | | 306 | 31.51 | | | 19 | 4.30 | 15 | 881 | 90.59 | 8.8 | 0.90 | GFA79
GFAF79
GF79
GFF79 | 4P | 86 | 135 | 13.93 | | | | | 5.4 | 2.80 | GFA159R99
GFAF159R99
GF159R99
GFF159R99 | | | 4P | 18 | | | | | 775 | 79.76 | 10 | 1.00 | 21 | | | 658 | 67.65 | 11 | 1.20 | GFA79
GFAF79
GF79
GFF79 | 4P | 82 | 166 | 17.03 | | | | | 3.2 | | | 1.15 |
GFA39
GFAF39
GF39
GFF39 | | 4P | 23 | 594 | 61.07 | | | | 11 | | 1.30 | 26 | | 522 | 53.73 | 12 | 1.50 | GFA79
GFAF79
GF79
GFF79 | 4P | 98 | 139 | 14.33 | | | | | 3.2 | | | 1.35 | GFA159R99
GFAF159R99
GF159R99
GFF159R99 | 4P | 28 | | 493 | 50.74 | | | | 12 | | 1.60 | | 32 | 420 | 43.20 | 12 | 1.85 | GFA79
GFAF79
GF79
GFF79 | 4P | 109 | 125 | 12.87 | | | | | 3.1 | | | 1.55 | GFA159R99
GFAF159R99
GF159R99
GFF159R99 | 4P | 36 | | 382 | 39.26 | | | | 12 | | 1.95 | | 39 | 353 | 36.30 | 12 | 2.20 | GFA79
GFAF79
GF79
GFF79 | 4P | 126 | 108 | 11.08 | | | | | 3.1 | | | 1.70 | GFA159R99
GFAF159R99
GF159R99
GFF159R99 | 4P | 44 | | 312 | 32.08 | | | | 12 | | 2.50 | | 51 | 266 | 27.41 | 12 | 2.90 | GFA79
GFAF79
GF79
GFF79 | 4P | 134 | 101 | 10.42 | | | | | 3.1 | | | 1.75 | GFA159R99
GFAF159R99
GF159R99
GFF159R99 | 4P | 56 | | 244 | 25.13 | | | | 12 | | 3.20 | 24 | | 573 | 58.97 | 8.7 | 1.00 | GFA79
GFAF79
GF79
GFF79 | 4P | 156 | 87 | 8.97 | | | | | 3.0 | | | 1.90 | GFA159R99
GFAF159R99
GF159R99
GFF159R99 | 4P | 28 | | 487 | 50.10 | | | | 9.4 | | 1.20 | 31 | | 435 | 44.73 | 9.5 | 1.30 | GFA79
GFAF79
GF79
GFF79 | 4P | 174 | 78 | 8.03 | |
 | | | 2.9 | | | 2.10 | GFA159R99
GFAF159R99
GF159R99
GFF159R99 | 4P | 37 | | 371 | 38.21 | | | | 9.3 | | 1.55 | 39 | | 348 | 35.79 | 9.1 | 1.65 | GFA79
GFAF79
GF79
GFF79 | 4P | 0.99 | 19107 | 1441 | | | | | 93 | | | 0.95 | GFA159R99
GFAF159R99
GF159R99
GFF159R99 | 4P | 46 | | 293 | 30.15 | | | | 8.8 | | 1.95 | 5.0 | | 3779 | 285 | 30 | 1.15 | GFA159R99
GFAF159R99
GF159R99
GFF159R99 | 4P | 1.1 | 17344 | 1308 | | | | | 96 | | | 1.05 | GFA129R79
GFAF129R79
GF129R79
GFF129R79 | 4P | 5.8 | | 3249 | 245 | | | | 31 | | 1.30 | 1.2 | | 15501 | 1169 | 101 | 1.15 | GFA159R99
GFAF159R99
GF159R99
GFF159R99 | 4P | 1.5 | 12637 | 953 | | | | | 107 | | | 1.40 | GFA129R79
GFAF129R79
GF129R79
GFF129R79 | 4P | 1.7 | | 11205 | 845 | | | | 110 | | 1.60 | 1.9 | | 10130 | 764 | 111 | 1.75 | GFA159R99
GFAF159R99
GF159R99
GFF159R99 | 4P | 1.7 | 10860 | 819 | | | | | 86 | | | 1.10 | GFA109R79
GFAF109R79
GF109R79
GFF109R79 | 4P | 2.1 | | 9017 | 680 | | | | 113 | | 1.95 | 2.5 | | 7638 | 576 | 114 | 2.30 | GFA159R99
GFAF159R99
GF159R99
GFF159R99 | 4P | 2.0 | 9627 | 726 | | | | | 86 | | | 1.25 | GFA129R79
GFAF129R79
GF129R79
GFF129R79 | 4P | 3.2 | | 5914 | | | 446 | | 114 | | | | | | | | | | | | | | | | | | | | | | | | | | | | | | | | | | | | | | | | | | | | | | | | | | | | | | |
 | 3.00 | 4.7 | | 4004 | 302 | 114 | 4.40 | GFA159R99
GFAF159R99
GF159R99
GFF159R99 | 4P | 2.2 | 8579 | 647 | | | | | 86 | | | 1.40 | GFA109R79
GFAF109R79
GF109R79
GFF109R79 | 4P | 5.2 | | 3620 | | | 273 | | 114 | | 4.85 | 6.2 | | 3076 | 232 | 114 | 5.70 | GFA159R99
GFAF159R99
GF159R99
GFF159R99 | 4P | 2.6 | 7266 | 548 | | | | | 86 | | | 1.65 | GFA109R79
GFAF109R79
GF109R79
GFF109R79 | 4P | 7.3 | | 2612 | | | 197 | | 114 | | 6.90 | 1.3 | | 14254 | 1075 | 81 | 0.85 | GFA159R99
GFAF159R99
GF159R99
GFF159R99 | 4P | 2.9 | 6550 | 494 | | | | | 86 | | | 1.80 | GFA109R79
GFAF109R79
GF109R79
GFF109R79 | 4P | 1.5 | | 12318 | | | 929 | | 85 | | 1.00 | 1.7 | | 10860 | 819 | 86 | 1.10 | GFA159R99
GFAF159R99
GF159R99
GFF159R99 | 4P | 3.3 | 5675 | 428 | | | | | 86 | | | 2.10 | GFA109R79
GFAF109R79
GF109R79
GFF109R79 | 4P | 2.0 | | 9627 | | | 726 | | 86 | | 1.25 | 2.2 | | 8579 | 647 | 86 | 1.40 | GFA159R99
GFAF159R99
GF159R99
GFF159R99 | 4P | 2.2 | 8486 | 640 | | | | | 45 | | | 0.90 | GFA99R59
GFAF99R59
GF99R59
GFF99R59 | 4P | 2.6 | | 7266 | | | 548 | | 86 | | 1.65 | 2.9 | | 6550 | 494 | 86 | 1.80 | GFA159R99
GFAF159R99
GF159R99
GFF159R99 | 4P | 2.6 | 7425 | 560 | | | | | 48 |
 | | 1.05 | GFA109R79
GFAF109R79
GF109R79
GFF109R79 | 4P | 3.3 | | 5675 | | | 428 | | 86 | 2.10 | 3.3 | | | 5781 | 436 | 51 | 1.35 | GFA159R99
GFAF159R99
GF159R99
GFF159R99 | 4P | 2.9 | 6484 | 489 | | | | | 50 | | | 1.20 | GFA109R79
GFAF109R79
GF109R79
GFF109R79 | 4P | 3.9 | | 4906 | | | 370 | | 53 | 1.60 | 4.3 | | | 4416 | 333 | 54 | 1.75 | GFA159R99
GFAF159R99
GF159R99
GFF159R99 | 4P | 3.9 | 4906 | 370 | | | | | 53 | | | 1.60 | GFA109R79
GFAF109R79
GF109R79
GFF109R79 | 4P | 5.0 | | 3779 | | | 285 | | 30 | | 1.15 | 5.8 | | 3249 | 245 | 31 | 1.30 | GFA159R99
GFAF159R99
GF159R99
GFF159R99 | 4P | 4.3 | 4416 | 333 | | | | | 54 | | | 1.75 | GFA99R59
GFAF99R59
GF99R59
GFF99R59 | 4P | | | | | | | | | | | | | | | | | | | | | | | | | | | | | | | | | | | | | | | | | | | | | | | | | | | | | | | | | | | | | | | | | | | | | | | | | | | | | | | | | | | | | | | | | | | | | | | | | | | | | | | | | | | | | | | | | | | | | | | | | | | | | | | | |
 | | | | | | | | | | | | | | | | | | | | | | | | | | | | | | | | | | | | | | | | | | |
| 12 | 1113 | 114.45 | 17 | 1.30 | 13 | 1054 | | | 108.46 | 17 | 1.35 | GFA79
GFAF79
GF79
GFF79 | 4P | 68 | 200 | | | | | 20.57 | | | 3.2 | 0.95 | GFA39
GFAF39
GF39
GFF39 | 4P | | | 15 | | | 923 | 94.93 | | | 17 | 1.55 | 16 | 831 | 85.52 | | | 18 | 1.75 | 19 | 729 | 75.02 | 18 | 1.95 | 19 | 705 | 72.50 | 18 | 2.00 | GFA79
GFAF79
GF79
GFF79 | 4P | | | 73 | 187 | 19.27 | | | 3.2 | 1.00 | GFA159R99
GFAF159R99
GF159R99
GFF159R99 | 4P | | | 21 | | | 646 | 66.46 | | | 18 | 2.20 | 24 | 567 | 58.32 | | | 19 | 2.50 | 25 | 537 | 55.27 | 19 | 2.70 | 29 | 470 | 48.37 | 19 | 3.00 | GFA79
GFAF79
GF79
GFF79 | 4P | | | 82 | 166 | 17.03 | | | 3.2 | 1.15 | GFA159R99
GFAF159R99
GF159R99
GFF159R99 | 4P | | | 32 | | | 424 | 43.58 | | | 19 | 3.40 | 37 | 372 | 38.23 | | | 19 | 3.90 | 38 | 356 | 36.58 | 19 | 3.00 | GFA79
GFAF79
GF79
GFF79 | 4P | 88 | 159 | 16.36 | | | | | 5.6 | 2.40 | GFA159R99
GFAF159R99
GF159R99
GFF159R99 | | | 4P | 44 | 306 | 31.51 | | | | | 19 | | | 4.30 | 15 | 881 | 90.59 | 8.8 | 0.90 | GFA79
GFAF79
GF79
GFF79 | 4P | 86 | 135 | 13.93 | | | 5.4 | 2.80 | GFA159R99
GFAF159R99
GF159R99
GFF159R99 | | | | | 4P | 18 | | 775 | 79.76 | | 10 | | | | | 1.00 | 21 | 658 | 67.65 | 11 | 1.20 | GFA79
GFAF79
GF79
GFF79 | 4P | 82 | 166 | 17.03 | | | 3.2 | 1.15 | GFA39
GFAF39
GF39
GFF39 | | | | | 4P | 23 | 594 | 61.07 |
 | | | 11 | 1.30 | 26 | | | | 522 | 53.73 | 12 | 1.50 | GFA79
GFAF79
GF79
GFF79 | 4P | 98 | 139 | 14.33 | | | 3.2 | 1.35 | GFA159R99
GFAF159R99
GF159R99
GFF159R99 | | | | | 4P | 28 | 493 | 50.74 | | | 12 | | 1.60 | 32 | | | | 420 | 43.20 | 12 | 1.85 | GFA79
GFAF79
GF79
GFF79 | 4P | 109 | 125 | 12.87 | | | 3.1 | 1.55 | GFA159R99
GFAF159R99
GF159R99
GFF159R99 | | | | | 4P | 36 | 382 | 39.26 | | | 12 | | 1.95 | 39 | | | | 353 | 36.30 | 12 | 2.20 | GFA79
GFAF79
GF79
GFF79 | 4P | 126 | 108 | 11.08 | | | 3.1 | 1.70 | GFA159R99
GFAF159R99
GF159R99
GFF159R99 | | | | | 4P | 44 | 312 | 32.08 | | | 12 | | 2.50 | 51 | | | | 266 | 27.41 | 12 | 2.90 | GFA79
GFAF79
GF79
GFF79 | 4P | 134 | 101 | 10.42 | | | 3.1 | 1.75 | GFA159R99
GFAF159R99
GF159R99
GFF159R99 | | | | | 4P | 56 | 244 | 25.13 | | | 12 | | 3.20 | 24 | | | | 573 | 58.97 | 8.7 | 1.00 | GFA79
GFAF79
GF79
GFF79 | 4P | 156 | 87 | 8.97 | | | 3.0 | 1.90 | GFA159R99
GFAF159R99
GF159R99
GFF159R99 | | | | | 4P | 28 | 487 | 50.10 | | | 9.4 | | 1.20 | 31 | | | | 435 | 44.73 | 9.5 | 1.30 | GFA79
GFAF79
GF79
GFF79 | 4P | 174 | 78 | 8.03 | | | 2.9 | 2.10 | GFA159R99
GFAF159R99
GF159R99
GFF159R99 | | |
 | | 4P | 37 | 371 | 38.21 | | | 9.3 | | 1.55 | 39 | | | | 348 | 35.79 | 9.1 | 1.65 | GFA79
GFAF79
GF79
GFF79 | 4P | 0.99 | 19107 | 1441 | | | 93 | 0.95 | GFA159R99
GFAF159R99
GF159R99
GFF159R99 | | | | | 4P | 46 | 293 | 30.15 | | | 8.8 | | 1.95 | 5.0 | | | | 3779 | 285 | 30 | 1.15 | GFA159R99
GFAF159R99
GF159R99
GFF159R99 | 4P | 1.1 | 17344 | 1308 | | | 96 | 1.05 | GFA129R79
GFAF129R79
GF129R79
GFF129R79 | | | | | 4P | 5.8 | 3249 | 245 | | | 31 | | 1.30 | 1.2 | | | | 15501 | 1169 | 101 | 1.15 | GFA159R99
GFAF159R99
GF159R99
GFF159R99 | 4P | 1.5 | 12637 | 953 | | | 107 | 1.40 | GFA129R79
GFAF129R79
GF129R79
GFF129R79 | | | | | 4P | 1.7 | 11205 | 845 | | | 110 | | 1.60 | 1.9 | | | | 10130 | 764 | 111 | 1.75 | GFA159R99
GFAF159R99
GF159R99
GFF159R99 | 4P | 1.7 | 10860 | 819 | | | 86 | 1.10 | GFA109R79
GFAF109R79
GF109R79
GFF109R79 | | | | | 4P | 2.1 | 9017 | 680 | | | 113 | | 1.95 | 2.5 | | | | 7638 | 576 | 114 | 2.30 | GFA159R99
GFAF159R99
GF159R99
GFF159R99 | 4P | 2.0 | 9627 | 726 | | | 86 | 1.25 | GFA129R79
GFAF129R79
GF129R79
GFF129R79 | | | | | 4P | 3.2 | 5914 | 446 | | | 114 | | 3.00 | | | 4.7 | | 4004 | 302 | 114
 | 4.40 | GFA159R99
GFAF159R99
GF159R99
GFF159R99 | 4P | 2.2 | 8579 | 647 | | | 86 | 1.40 | GFA109R79
GFAF109R79
GF109R79
GFF109R79 | | | | | 4P | 5.2 | 3620 | 273 | | | 114 | | 4.85 | | | 6.2 | | 3076 | 232 | 114 | 5.70 | GFA159R99
GFAF159R99
GF159R99
GFF159R99 | 4P | 2.6 | 7266 | 548 | | | 86 | 1.65 | GFA109R79
GFAF109R79
GF109R79
GFF109R79 | | | | | 4P | 7.3 | 2612 | 197 | | | 114 | | 6.90 | | | 1.3 | | 14254 | 1075 | 81 | 0.85 | GFA159R99
GFAF159R99
GF159R99
GFF159R99 | 4P | 2.9 | 6550 | 494 | | | 86 | 1.80 | GFA109R79
GFAF109R79
GF109R79
GFF109R79 | | | | | 4P | 1.5 | 12318 | 929 | | | 85 | | 1.00 | | | 1.7 | | 10860 | 819 | 86 | 1.10 | GFA159R99
GFAF159R99
GF159R99
GFF159R99 | 4P | 3.3 | 5675 | 428 | | | 86 | 2.10 | GFA109R79
GFAF109R79
GF109R79
GFF109R79 | | | | | 4P | 2.0 | 9627 | 726 | | | 86 | | 1.25 | | | 2.2 | | 8579 | 647 | 86 | 1.40 | GFA159R99
GFAF159R99
GF159R99
GFF159R99 | 4P | 2.2 | 8486 | 640 | | | 45 | 0.90 | GFA99R59
GFAF99R59
GF99R59
GFF99R59 | | | | | 4P | 2.6 | 7266 | 548 | | | 86 | | 1.65 | | | 2.9 | | 6550 | 494 | 86 | 1.80 | GFA159R99
GFAF159R99
GF159R99
GFF159R99 | 4P | 2.6 | 7425 | 560 | | | 48 | 1.05 | GFA109R79
GFAF109R79
GF109R79
GFF109R79 | | | | | 4P | 3.3
 | 5675 | 428 | | | 86 | | 2.10 | | | 3.3 | | 5781 | 436 | 51 | 1.35 | GFA159R99
GFAF159R99
GF159R99
GFF159R99 | 4P | 2.9 | 6484 | 489 | | | 50 | 1.20 | GFA109R79
GFAF109R79
GF109R79
GFF109R79 | | | | | 4P | 3.9 | 4906 | 370 | | | 53 | | 1.60 | | | 4.3 | | 4416 | 333 | 54 | 1.75 | GFA159R99
GFAF159R99
GF159R99
GFF159R99 | 4P | 3.9 | 4906 | 370 | | | 53 | 1.60 | GFA109R79
GFAF109R79
GF109R79
GFF109R79 | | | | | 4P | 5.0 | 3779 | 285 | | | 30 | | 1.15 | | | 5.8 | | 3249 | 245 | 31 | 1.30 | GFA159R99
GFAF159R99
GF159R99
GFF159R99 | 4P | 4.3 | 4416 | 333 | | | 54 | 1.75 | GFA99R59
GFAF99R59
GF99R59
GFF99R59 | | | | | 4P | | | | | | | | | | | | | | | | | | | | | | | | | | | | | | | | | | | | | | | | | | | | | | | | | | | | | | | | | | | | | | | | | | | | | | | | | | | | | | | | | | | | | | | | | | | | | | | | | | | | | | | | | | | | | | | | | | | | | | | | | | | | | | | | | | | | | |
 | | | | | | | | | | | | | | | | | | | | | | | | | | | | | | | | | | | | | | | | | | |
| 13 | 1054 | 108.46 | 17 | 1.35 | GFA79
GFAF79
GF79
GFF79 | 4P | | | 68 | 200 | 20.57 | | | 3.2 | 0.95 | GFA39
GFAF39
GF39
GFF39 | 4P | | | | | | | | | | | | | | | | | | | | | | | | | | | | | | | | | | | | | | | | | | | | | | | | | | | | | | | | | | | | | | | | | | | | | | | | | | | | | | | | | | | | | | | | | | | | | | | | | | | | | | | | | | | | | | | | | | | | | | | | | | | | | | | | | | | | | | | | | | | | | | | | | | | | | | | | | | | | | | | | | | | | | | | | | | | | | | | | | | | | | | | | | | | | | | | | | | |
 | | | | | | | | | | | | | | | | | | | | | | | | | | | | | | | | | | | | | | | | | | | | | | | | | | | | | | | | | | | | | | | | | | | | | | | | | | | | | | | | | | | | | | | | | | | | | | | | | | | | | | | | | | | | | | | | | | | | | | | | | | | | | | | | | | | | | | | | | | | | | | | | | | | | | | | | | | | | | | | | | | | | | | | | | | | | | | | | | | | |
 | | | | | | | | | | | | | | | | | | | | | | | | | | | | | | | | | | | | | | | | | | | | | | | | | | | | | | | | | | | | | | | | | | | | | | | | | | | | | | | | | | | | | | | | | | | | | | | | | | | | | | | | | | | | | | | | | | | | | | | | | | | | | | | | | | | | | | | | | | | | | | | | | | | | | | | | | | | | | | | | | | | | | | | | | | | |
 | | | | | | | | | | | | | | | | | | | | | | | | | | | | | | | | | | | | | | | | | | | | | | | | | | | | | | | | | | | | | | | | | | | | | | | | | | | | | | | | | | | | | | | | | | | | | | | | | | | | | | | | | | | | | | | | | | | | | | | | | | | | | | | | | | | | | | | | | | | | | | | | | | | | | | | | | | | | | | | | | | | | | | | | | | | |
 | | | | | | | | | | | | | | | | | | | | | | | | | | | | | | | | | | | | | | | | | | | | | | | | | | | | | | | | | | | | | | | | | | | | | | | | | | | | | | | | | | | | | | | | | | | | | | | | | | | | | | | | | | | | | | | | | | | | | | | | | | | | | | | | | | | | | | | | | | | | | | | | | | | | | | | | | | | | | | | | | | | | | | | | | | | | | | | | | | | | | | | | | | | | | | | | | | | | | | | | | | | | | | | | | | | | | | | | | | | | | | | | | |
 | | | | | | | | | | | | | | | | | | | | | | | | | | | | | | | | | | | | | | | | | | |
| 15 | 923 | 94.93 | 17 | 1.55 | | | 16 | 831 | 85.52 | 18 | 1.75 | | | 19 | 729 | | | 75.02 | 18 | 1.95 | | | 19 | 705 | | | 72.50 | 18 | 2.00 | | | GFA79
GFAF79
GF79
GFF79 | 4P | | | 73 | 187 | 19.27 | 3.2 | 1.00 | | | GFA159R99
GFAF159R99
GF159R99
GFF159R99 | 4P | 21 | 646 | 66.46 | 18 | 2.20 | 24 | 567 | 58.32 | 19 | 2.50 | | | 25 | 537 | 55.27 | 19 | 2.70 | | | 29 | 470 | | | 48.37 | 19 | 3.00 | | | GFA79
GFAF79
GF79
GFF79 | 4P | | | 82 | 166 | 17.03 | 3.2 | 1.15 | | | GFA159R99
GFAF159R99
GF159R99
GFF159R99 | 4P | 32 | 424 | 43.58 | 19 | 3.40 | 37 | 372 | 38.23 | 19 | 3.90 | | | 38 | 356 | 36.58 | 19 | 3.00 | | | GFA79
GFAF79
GF79
GFF79 | 4P | | | 88 | 159 | 16.36 | | | 5.6 | 2.40 | | | GFA159R99
GFAF159R99
GF159R99
GFF159R99 | 4P | 44 | 306 | 31.51 | | | 19 | 4.30 | 15 | 881 | 90.59 | 8.8 | 0.90 | | | GFA79
GFAF79
GF79
GFF79 | 4P | 86 | | | 135 | 13.93 | 5.4 | 2.80 | | | | | GFA159R99
GFAF159R99
GF159R99
GFF159R99 | 4P | 18 | 775 | 79.76 | | | 10 | | | 1.00 | 21 | 658 | 67.65 | 11 | 1.20 | | | GFA79
GFAF79
GF79
GFF79 | 4P | 82 | | | 166 | 17.03 | | 3.2 | 1.15 | | | | GFA39
GFAF39
GF39
GFF39 | | 4P | 23 | | 594 | 61.07 | 11 | | | 1.30 | 26 | 522 | 53.73 | 12 | 1.50 | | | GFA79
GFAF79
GF79
GFF79 | 4P | 98 | | | 139 | 14.33 | | 3.2 | 1.35 | | | | GFA159R99
GFAF159R99
GF159R99
GFF159R99 | 4P | 28 |
 | 493 | | 50.74 | 12 | 1.60 | 32 | | | 420 | 43.20 | 12 | 1.85 | | | GFA79
GFAF79
GF79
GFF79 | 4P | 109 | | | 125 | 12.87 | | 3.1 | 1.55 | | | | GFA159R99
GFAF159R99
GF159R99
GFF159R99 | 4P | 36 | | | 382 | 39.26 | 12 | 1.95 | 39 | | | 353 | 36.30 | 12 | 2.20 | | | GFA79
GFAF79
GF79
GFF79 | 4P | 126 | | | 108 | 11.08 | | 3.1 | 1.70 | | | | GFA159R99
GFAF159R99
GF159R99
GFF159R99 | 4P | 44 | | | 312 | 32.08 | 12 | 2.50 | 51 | | | 266 | 27.41 | 12 | 2.90 | | | GFA79
GFAF79
GF79
GFF79 | 4P | 134 | | | 101 | 10.42 | | 3.1 | 1.75 | | | | GFA159R99
GFAF159R99
GF159R99
GFF159R99 | 4P | 56 | | | 244 | 25.13 | 12 | 3.20 | 24 | | | 573 | 58.97 | 8.7 | 1.00 | | | GFA79
GFAF79
GF79
GFF79 | 4P | 156 | | | 87 | 8.97 | | 3.0 | 1.90 | | | | GFA159R99
GFAF159R99
GF159R99
GFF159R99 | 4P | 28 | | | 487 | 50.10 | 9.4 | 1.20 | 31 | | | 435 | 44.73 | 9.5 | 1.30 | | | GFA79
GFAF79
GF79
GFF79 | 4P | 174 | | | 78 | 8.03 | | 2.9 | 2.10 | | | | GFA159R99
GFAF159R99
GF159R99
GFF159R99 | 4P | 37 | | | 371 | 38.21 | 9.3 | 1.55 | 39 | | | 348 | 35.79 | 9.1 | 1.65 | | | GFA79
GFAF79
GF79
GFF79 | 4P | 0.99 | | | 19107 | 1441 | | 93 | 0.95 |
 | | | GFA159R99
GFAF159R99
GF159R99
GFF159R99 | 4P | 46 | | | 293 | 30.15 | 8.8 | 1.95 | 5.0 | | | 3779 | 285 | 30 | 1.15 | | | GFA159R99
GFAF159R99
GF159R99
GFF159R99 | 4P | 1.1 | | | 17344 | 1308 | | 96 | 1.05 | | | | GFA129R79
GFAF129R79
GF129R79
GFF129R79 | 4P | 5.8 | | | 3249 | 245 | 31 | 1.30 | 1.2 | | | 15501 | 1169 | 101 | 1.15 | | | GFA159R99
GFAF159R99
GF159R99
GFF159R99 | 4P | 1.5 | | | 12637 | 953 | | 107 | 1.40 | | | | GFA129R79
GFAF129R79
GF129R79
GFF129R79 | 4P | 1.7 | | | 11205 | 845 | 110 | 1.60 | 1.9 | | | 10130 | 764 | 111 | 1.75 | | | GFA159R99
GFAF159R99
GF159R99
GFF159R99 | 4P | 1.7 | | | 10860 | 819 | | 86 | 1.10 | | | | GFA109R79
GFAF109R79
GF109R79
GFF109R79 | 4P | 2.1 | | | 9017 | 680 | 113 | 1.95 | 2.5 | | | 7638 | 576 | 114 | 2.30 | | | GFA159R99
GFAF159R99
GF159R99
GFF159R99 | 4P | 2.0 | | | 9627 | 726 | | 86 | 1.25 | | | | GFA129R79
GFAF129R79
GF129R79
GFF129R79 | 4P | 3.2 | | | 5914 | 446 | 114 | 3.00 | 4.7 | | | 4004 | 302 | 114 | 4.40 | | | GFA159R99
GFAF159R99
GF159R99
GFF159R99 | 4P | 2.2 | | | 8579 | 647 | | 86 | 1.40 | | | | GFA109R79
GFAF109R79
GF109R79
GFF109R79 | 4P | 5.2 | | | 3620 | 273 | 114 | 4.85 | | 6.2 | | 3076 | 232 | 114
 | 5.70 | | | GFA159R99
GFAF159R99
GF159R99
GFF159R99 | 4P | 2.6 | | | 7266 | 548 | | 86 | 1.65 | | | | GFA109R79
GFAF109R79
GF109R79
GFF109R79 | 4P | 7.3 | | | 2612 | 197 | 114 | 6.90 | | 1.3 | | 14254 | 1075 | 81 | 0.85 | | | GFA159R99
GFAF159R99
GF159R99
GFF159R99 | 4P | 2.9 | | | 6550 | 494 | | 86 | 1.80 | | | | GFA109R79
GFAF109R79
GF109R79
GFF109R79 | 4P | 1.5 | | | 12318 | 929 | 85 | 1.00 | | 1.7 | | 10860 | 819 | 86 | 1.10 | | | GFA159R99
GFAF159R99
GF159R99
GFF159R99 | 4P | 3.3 | | | 5675 | 428 | | 86 | 2.10 | | | | GFA109R79
GFAF109R79
GF109R79
GFF109R79 | 4P | 2.0 | | | 9627 | 726 | 86 | 1.25 | | 2.2 | | 8579 | 647 | 86 | 1.40 | | | GFA159R99
GFAF159R99
GF159R99
GFF159R99 | 4P | 2.2 | | | 8486 | 640 | | 45 | 0.90 | | | | GFA99R59
GFAF99R59
GF99R59
GFF99R59 | 4P | 2.6 | | | 7266 | 548 | 86 | 1.65 | | 2.9 | | 6550 | 494 | 86 | 1.80 | | | GFA159R99
GFAF159R99
GF159R99
GFF159R99 | 4P | 2.6 | | | 7425 | 560 | | 48 | 1.05 | | | | GFA109R79
GFAF109R79
GF109R79
GFF109R79 | 4P | 3.3 | | | 5675 | 428 | 86 | 2.10 | | 3.3 | | 5781 | 436 | 51 | 1.35 | | | GFA159R99
GFAF159R99
GF159R99
GFF159R99 | 4P | 2.9 | | | 6484 | 489 | | 50 | 1.20 | | | |
GFA109R79
GFAF109R79
GF109R79
GFF109R79 | 4P | 3.9 | | | 4906 | 370 | 53 | 1.60 | | 4.3 | | 4416 | 333 | 54 | 1.75 | | | GFA159R99
GFAF159R99
GF159R99
GFF159R99 | 4P | 3.9 | | | 4906 | 370 | | 53 | 1.60 | | | | GFA109R79
GFAF109R79
GF109R79
GFF109R79 | 4P | 5.0 | | | 3779 | 285 | 30 | 1.15 | | 5.8 | | 3249 | 245 | 31 | 1.30 | | | GFA159R99
GFAF159R99
GF159R99
GFF159R99 | 4P | 4.3 | | | 4416 | 333 | | 54 | 1.75 | | | | GFA99R59
GFAF99R59
GF99R59
GFF99R59 | 4P | | | | | | | | | | | | | | | | | | | | | | | | | | | | | | | | | | | | | | | | | | | | | | | | | | | | | | | | | | | | | | | | | | | | | | | | | | | | | | | | | | | | | | | | | | | | | | | | | | | | | | | | | | | | | | | | | | | | | | | | | | | | | | | | | | | | | | | | | | | | | | | | | | | | | | | | | | | | | | | | | | |
 | | | | | | | | | | | | | | | | | | | | | | | | | | | | | | | | | | | | | | | | | | |
| 16 | 831 | 85.52 | 18 | 1.75 | | | 19 | 729 | 75.02 | 18 | 1.95 | | | 19 | 705 | | | 72.50 | 18 | 2.00 | | | GFA79
GFAF79
GF79
GFF79 | 4P | | | 73 | 187 | 19.27 | 3.2 | 1.00 | | | | | GFA159R99
GFAF159R99
GF159R99
GFF159R99 | 4P | 21 | 646 | 66.46 | 18 | 2.20 | | | 24 | 567 | 58.32 | 19 | 2.50 | 25 | 537 | 55.27 | 19 | 2.70 | | | 29 | 470 | 48.37 | 19 | 3.00 | | | GFA79
GFAF79
GF79
GFF79 | 4P | | | 82 | 166 | 17.03 | 3.2 | 1.15 | | | | | GFA159R99
GFAF159R99
GF159R99
GFF159R99 | 4P | 32 | 424 | 43.58 | 19 | 3.40 | | | 37 | 372 | 38.23 | 19 | 3.90 | 38 | 356 | 36.58 | 19 | 3.00 | | | GFA79
GFAF79
GF79
GFF79 | 4P | 88 | 159 | 16.36 | | | | | | | 5.6 | 2.40 | GFA159R99
GFAF159R99
GF159R99
GFF159R99 | 4P | 44 | 306 | 31.51 | | | | | 19 | 4.30 | 15 | 881 | 90.59 | 8.8 | 0.90 | GFA79
GFAF79
GF79
GFF79 | 4P | 86 | 135 | 13.93 | | | | | 5.4 | | | 2.80 | GFA159R99
GFAF159R99
GF159R99
GFF159R99 | 4P | 18 | | 775 | 79.76 | | | | 10 | 1.00 | 21 | | | 658 | 67.65 | 11 | 1.20 | GFA79
GFAF79
GF79
GFF79 | 4P | 82 | 166 | 17.03 | | | | | 3.2 | | | 1.15 | GFA39
GFAF39
GF39
GFF39 | | 4P | 23 | 594 | 61.07 | | | | | 11 | | 1.30 | 26 | 522 | 53.73 | 12 | 1.50 | GFA79
GFAF79
GF79
GFF79 | 4P | 98 | 139 | 14.33 | | | | | 3.2 | | | 1.35 | GFA159R99
GFAF159R99
GF159R99
GFF159R99 | | 4P | 28 | 493 | 50.74 | | | | 12 |
 | 1.60 | | 32 | 420 | 43.20 | 12 | 1.85 | GFA79
GFAF79
GF79
GFF79 | 4P | 109 | 125 | 12.87 | | | | | 3.1 | | | 1.55 | GFA159R99
GFAF159R99
GF159R99
GFF159R99 | | 4P | 36 | 382 | 39.26 | | | | 12 | | | 1.95 | 39 | 353 | 36.30 | 12 | 2.20 | GFA79
GFAF79
GF79
GFF79 | 4P | 126 | 108 | 11.08 | | | | | 3.1 | | | 1.70 | GFA159R99
GFAF159R99
GF159R99
GFF159R99 | | 4P | 44 | 312 | 32.08 | | | | 12 | | | 2.50 | 51 | 266 | 27.41 | 12 | 2.90 | GFA79
GFAF79
GF79
GFF79 | 4P | 134 | 101 | 10.42 | | | | | 3.1 | | | 1.75 | GFA159R99
GFAF159R99
GF159R99
GFF159R99 | | 4P | 56 | 244 | 25.13 | | | | 12 | | | 3.20 | 24 | 573 | 58.97 | 8.7 | 1.00 | GFA79
GFAF79
GF79
GFF79 | 4P | 156 | 87 | 8.97 | | | | | 3.0 | | | 1.90 | GFA159R99
GFAF159R99
GF159R99
GFF159R99 | | 4P | 28 | 487 | 50.10 | | | | 9.4 | | | 1.20 | 31 | 435 | 44.73 | 9.5 | 1.30 | GFA79
GFAF79
GF79
GFF79 | 4P | 174 | 78 | 8.03 | | | | | 2.9 | | | 2.10 | GFA159R99
GFAF159R99
GF159R99
GFF159R99 | | 4P | 37 | 371 | 38.21 | | | | 9.3 | | | 1.55 | 39 | 348 | 35.79 | 9.1 | 1.65 | GFA79
GFAF79
GF79
GFF79 | 4P | 0.99 | 19107 | 1441 | | | | | 93 | | | 0.95 | GFA159R99
GFAF159R99
GF159R99
GFF159R99 | | 4P | 46 | 293
 | 30.15 | | | | 8.8 | | | 1.95 | 5.0 | 3779 | 285 | 30 | 1.15 | GFA159R99
GFAF159R99
GF159R99
GFF159R99 | 4P | 1.1 | 17344 | 1308 | | | | | 96 | | | 1.05 | GFA129R79
GFAF129R79
GF129R79
GFF129R79 | | 4P | 5.8 | 3249 | 245 | | | | 31 | | | 1.30 | 1.2 | 15501 | 1169 | 101 | 1.15 | GFA159R99
GFAF159R99
GF159R99
GFF159R99 | 4P | 1.5 | 12637 | 953 | | | | | 107 | | | 1.40 | GFA129R79
GFAF129R79
GF129R79
GFF129R79 | | 4P | 1.7 | 11205 | 845 | | | | 110 | | | 1.60 | 1.9 | 10130 | 764 | 111 | 1.75 | GFA159R99
GFAF159R99
GF159R99
GFF159R99 | 4P | 1.7 | 10860 | 819 | | | | | 86 | | | 1.10 | GFA109R79
GFAF109R79
GF109R79
GFF109R79 | | 4P | 2.1 | 9017 | 680 | | | | 113 | | | 1.95 | 2.5 | 7638 | 576 | 114 | 2.30 | GFA159R99
GFAF159R99
GF159R99
GFF159R99 | 4P | 2.0 | 9627 | 726 | | | | | 86 | | | 1.25 | GFA129R79
GFAF129R79
GF129R79
GFF129R79 | | 4P | 3.2 | 5914 | 446 | | | | 114 | | | 3.00 | 4.7 | 4004 | 302 | 114 | 4.40 | GFA159R99
GFAF159R99
GF159R99
GFF159R99 | 4P | 2.2 | 8579 | 647 | | | | | 86 | | | 1.40 | GFA109R79
GFAF109R79
GF109R79
GFF109R79 | | 4P | 5.2 | 3620 | 273 | | | | 114 | | | 4.85 | 6.2 | 3076 | 232 | 114 | 5.70 | GFA159R99
GFAF159R99
GF159R99
GFF159R99 | 4P | 2.6 | 7266
 | 548 | | | | | 86 | | | 1.65 | GFA109R79
GFAF109R79
GF109R79
GFF109R79 | | 4P | 7.3 | 2612 | 197 | | | | 114 | | | 6.90 | 1.3 | 14254 | 1075 | 81 | 0.85 | GFA159R99
GFAF159R99
GF159R99
GFF159R99 | 4P | 2.9 | 6550 | 494 | | | | | 86 | | | 1.80 | GFA109R79
GFAF109R79
GF109R79
GFF109R79 | | 4P | 1.5 | 12318 | 929 | | | | 85 | | | 1.00 | 1.7 | 10860 | 819 | 86 | 1.10 | GFA159R99
GFAF159R99
GF159R99
GFF159R99 | 4P | 3.3 | 5675 | 428 | | | | | 86 | | | 2.10 | GFA109R79
GFAF109R79
GF109R79
GFF109R79 | | 4P | 2.0 | 9627 | 726 | | | | 86 | | | 1.25 | 2.2 | 8579 | 647 | 86 | 1.40 | GFA159R99
GFAF159R99
GF159R99
GFF159R99 | 4P | 2.2 | 8486 | 640 | | | | | 45 | | | 0.90 | GFA99R59
GFAF99R59
GF99R59
GFF99R59 | | 4P | 2.6 | 7266 | 548 | | | | 86 | | | 1.65 | 2.9 | 6550 | 494 | 86 | 1.80 | GFA159R99
GFAF159R99
GF159R99
GFF159R99 | 4P | 2.6 | 7425 | 560 | | | | | 48 | | | 1.05 | GFA109R79
GFAF109R79
GF109R79
GFF109R79 | | 4P | 3.3 | 5675 | 428 | | | | 86 | | | 2.10 | 3.3 | 5781 | 436 | 51 | 1.35 | GFA159R99
GFAF159R99
GF159R99
GFF159R99 | 4P | 2.9 | 6484 | 489 | | | | | 50 | | | 1.20 | GFA109R79
GFAF109R79
GF109R79
GFF109R79 | | 4P | 3.9 | 4906 | 370 | | | | | | | | | | | | | | | | | | | | | | | | | | | | | | | | | | | | | | | | | | | | | | | | | | | | | | | |
 | | 53 | | | 1.60 | 4.3 | 4416 | 333 | 54 | 1.75 | GFA159R99
GFAF159R99
GF159R99
GFF159R99 | 4P | 3.9 | 4906 | 370 | | | | | 53 | | | 1.60 | GFA109R79
GFAF109R79
GF109R79
GFF109R79 | | 4P | 5.0 | 3779 | 285 | | | | 30 | | | 1.15 | 5.8 | 3249 | 245 | 31 | 1.30 | GFA159R99
GFAF159R99
GF159R99
GFF159R99 | 4P | 4.3 | 4416 | 333 | | | | | 54 | | | 1.75 | GFA99R59
GFAF99R59
GF99R59
GFF99R59 | | 4P | | | | | | | | | | | | | | | | | | | | | | | | | | | | | | | | | | | | | | | | | | | | | | | | | | | | | | | | | | | | | | | | | | | | | | | | | | | | | | | | | | | | | | | | | | | | | | | | | | | | | | | | | | | | | | | | | | | | | | | | | | | | | | | | | | | | | | | | | | | | | | | | | | | | | | | | | | | | | | | | | | | | | | | | |
 | | | | | | | | | | | | | | | | | | | | | | | | | | | | | | | | | | | | | | | | | | |
| 19 | 729 | 75.02 | 18 | 1.95 | | | 19 | 705 | 72.50 | 18 | 2.00 | | | GFA79
GFAF79
GF79
GFF79 | 4P | | | 73 | 187 | 19.27 | 3.2 | 1.00 | | | | | GFA159R99
GFAF159R99
GF159R99
GFF159R99 | 4P | 21 | 646 | 66.46 | | | 18 | 2.20 | | | 24 | 567 | 58.32 | 19 | 2.50 | | | 25 | 537 | 55.27 | 19 | 2.70 | 29 | 470 | 48.37 | 19 | 3.00 | | | GFA79
GFAF79
GF79
GFF79 | 4P | 82 | 166 | 17.03 | 3.2 | 1.15 | | | | | GFA159R99
GFAF159R99
GF159R99
GFF159R99 | 4P | 32 | 424 | 43.58 | | | 19 | 3.40 | | | 37 | 372 | 38.23 | 19 | 3.90 | | | 38 | 356 | 36.58 | 19 | 3.00 | GFA79
GFAF79
GF79
GFF79 | 4P | 88 | 159 | 16.36 | | | | | 5.6 | 2.40 | GFA159R99
GFAF159R99
GF159R99
GFF159R99 | 4P | 44 | | | | | 306 | 31.51 | | | 19 | 4.30 | 15 | 881 | 90.59 | | | 8.8 | 0.90 | GFA79
GFAF79
GF79
GFF79 | 4P | 86 | 135 | 13.93 | | | 5.4 | 2.80 | GFA159R99
GFAF159R99
GF159R99
GFF159R99 | | | | | 4P | 18 | 775 | 79.76 | | | 10 | | 1.00 | 21 | | | | 658 | 67.65 | 11 | 1.20 | GFA79
GFAF79
GF79
GFF79 | 4P | 82 | 166 | 17.03 | | | 3.2 | 1.15 | GFA39
GFAF39
GF39
GFF39 | | | | | 4P | 23 | 594 | 61.07 | | | | 11 | 1.30 | 26 | | | 522 | | 53.73 | 12 | 1.50 | GFA79
GFAF79
GF79
GFF79 | 4P | 98 | 139 | 14.33 | | | 3.2 | 1.35 | GFA159R99
GFAF159R99
GF159R99
GFF159R99 | | | | | 4P | 28 | 493 | 50.74 | | | | 12 | 1.60 | 32 | | | | 420 | 43.20
 | 12 | 1.85 | GFA79
GFAF79
GF79
GFF79 | 4P | 109 | 125 | 12.87 | | | 3.1 | 1.55 | GFA159R99
GFAF159R99
GF159R99
GFF159R99 | | | | | 4P | 36 | 382 | 39.26 | | | | 12 | 1.95 | 39 | | | | 353 | 36.30 | 12 | 2.20 | GFA79
GFAF79
GF79
GFF79 | 4P | 126 | 108 | 11.08 | | | 3.1 | 1.70 | GFA159R99
GFAF159R99
GF159R99
GFF159R99 | | | | | 4P | 44 | 312 | 32.08 | | | | 12 | 2.50 | 51 | | | | 266 | 27.41 | 12 | 2.90 | GFA79
GFAF79
GF79
GFF79 | 4P | 134 | 101 | 10.42 | | | 3.1 | 1.75 | GFA159R99
GFAF159R99
GF159R99
GFF159R99 | | | | | 4P | 56 | 244 | 25.13 | | | | 12 | 3.20 | 24 | | | | 573 | 58.97 | 8.7 | 1.00 | GFA79
GFAF79
GF79
GFF79 | 4P | 156 | 87 | 8.97 | | | 3.0 | 1.90 | GFA159R99
GFAF159R99
GF159R99
GFF159R99 | | | | | 4P | 28 | 487 | 50.10 | | | | 9.4 | 1.20 | 31 | | | | 435 | 44.73 | 9.5 | 1.30 | GFA79
GFAF79
GF79
GFF79 | 4P | 174 | 78 | 8.03 | | | 2.9 | 2.10 | GFA159R99
GFAF159R99
GF159R99
GFF159R99 | | | | | 4P | 37 | 371 | 38.21 | | | | 9.3 | 1.55 | 39 | | | | 348 | 35.79 | 9.1 | 1.65 | GFA79
GFAF79
GF79
GFF79 | 4P | 0.99 | 19107 | 1441 | | | 93 | 0.95 | GFA159R99
GFAF159R99
GF159R99
GFF159R99 | | | | | 4P | 46 | 293 | 30.15 | | | | 8.8 | 1.95
 | 5.0 | | | | 3779 | 285 | 30 | 1.15 | GFA159R99
GFAF159R99
GF159R99
GFF159R99 | 4P | 1.1 | 17344 | 1308 | | | 96 | 1.05 | GFA129R79
GFAF129R79
GF129R79
GFF129R79 | | | | | 4P | 5.8 | 3249 | 245 | | | | 31 | 1.30 | 1.2 | | | | 15501 | 1169 | 101 | 1.15 | GFA159R99
GFAF159R99
GF159R99
GFF159R99 | 4P | 1.5 | 12637 | 953 | | | 107 | 1.40 | GFA129R79
GFAF129R79
GF129R79
GFF129R79 | | | | | 4P | 1.7 | 11205 | 845 | | | | 110 | 1.60 | 1.9 | | | | 10130 | 764 | 111 | 1.75 | GFA159R99
GFAF159R99
GF159R99
GFF159R99 | 4P | 1.7 | 10860 | 819 | | | 86 | 1.10 | GFA109R79
GFAF109R79
GF109R79
GFF109R79 | | | | | 4P | 2.1 | 9017 | 680 | | | | 113 | 1.95 | 2.5 | | | | 7638 | 576 | 114 | 2.30 | GFA159R99
GFAF159R99
GF159R99
GFF159R99 | 4P | 2.0 | 9627 | 726 | | | 86 | 1.25 | GFA129R79
GFAF129R79
GF129R79
GFF129R79 | | | | | 4P | 3.2 | 5914 | 446 | | | | 114 | 3.00 | 4.7 | | | | 4004 | 302 | 114 | 4.40 | GFA159R99
GFAF159R99
GF159R99
GFF159R99 | 4P | 2.2 | 8579 | 647 | | | 86 | 1.40 | GFA109R79
GFAF109R79
GF109R79
GFF109R79 | | | | | 4P | 5.2 | 3620 | 273 | | | | 114 | 4.85 | 6.2 | | | | 3076 | 232 | 114 | 5.70 | GFA159R99
GFAF159R99
GF159R99
GFF159R99 | 4P | 2.6 | 7266 | 548 | | | 86 | 1.65
 | GFA109R79
GFAF109R79
GF109R79
GFF109R79 | | | | | 4P | 7.3 | 2612 | 197 | | | | 114 | 6.90 | 1.3 | | | | 14254 | 1075 | 81 | 0.85 | GFA159R99
GFAF159R99
GF159R99
GFF159R99 | 4P | 2.9 | 6550 | 494 | | | 86 | 1.80 | GFA109R79
GFAF109R79
GF109R79
GFF109R79 | | | | | 4P | 1.5 | 12318 | 929 | | | | 85 | 1.00 | 1.7 | | | | 10860 | 819 | 86 | 1.10 | GFA159R99
GFAF159R99
GF159R99
GFF159R99 | 4P | 3.3 | 5675 | 428 | | | 86 | 2.10 | GFA109R79
GFAF109R79
GF109R79
GFF109R79 | | | | | 4P | 2.0 | 9627 | 726 | | | | 86 | 1.25 | 2.2 | | | | 8579 | 647 | 86 | 1.40 | GFA159R99
GFAF159R99
GF159R99
GFF159R99 | 4P | 2.2 | 8486 | 640 | | | 45 | 0.90 | GFA99R59
GFAF99R59
GF99R59
GFF99R59 | | | | | 4P | 2.6 | 7266 | 548 | | | | 86 | 1.65 | 2.9 | | | | 6550 | 494 | 86 | 1.80 | GFA159R99
GFAF159R99
GF159R99
GFF159R99 | 4P | 2.6 | 7425 | 560 | | | 48 | 1.05 | GFA109R79
GFAF109R79
GF109R79
GFF109R79 | | | | | 4P | 3.3 | 5675 | 428 | | | | 86 | 2.10 | 3.3 | | | | 5781 | 436 | 51 | 1.35 | GFA159R99
GFAF159R99
GF159R99
GFF159R99 | 4P | 2.9 | 6484 | 489 | | | 50 | 1.20 | GFA109R79
GFAF109R79
GF109R79
GFF109R79 | | | | | 4P | 3.9 | 4906 | 370 | | | | 53 | 1.60 | 4.3 | | | | | | | | | | | | | | | | | | | | | | | | | | | | | | | | | | | | | | | | | | | | | | | | | | | | | | | |
 | | 4416 | 333 | 54 | 1.75 | GFA159R99
GFAF159R99
GF159R99
GFF159R99 | 4P | 3.9 | 4906 | 370 | | | 53 | 1.60 | GFA109R79
GFAF109R79
GF109R79
GFF109R79 | | | | | 4P | 5.0 | 3779 | 285 | | | | 30 | 1.15 | 5.8 | | | | 3249 | 245 | 31 | 1.30 | GFA159R99
GFAF159R99
GF159R99
GFF159R99 | 4P | 4.3 | 4416 | 333 | | | 54 | 1.75 | GFA99R59
GFAF99R59
GF99R59
GFF99R59 | | | | | 4P | | | | | | | | | | | | | | | | | | | | | | | | | | | | | | | | | | | | | | | | | | | | | | | | | | | | | | | | | | | | | | | | | | | | | | | | | | | | | | | | | | | | | | | | | | | | | | | | | | | | | | | | | | | | | | | | | | | | | | | | | | | | | | | | | | | | | | | | | | | | | | | | | | | | | | | | | | | | | | | | | | | | | | | | | | | | | | |
 | | | | | | | | | | | | | | | | | | | | | | | | | | | | | | | | | | | | | | | | | | |
| 19 | 705 | 72.50 | 18 | 2.00 | | | GFA79
GFAF79
GF79
GFF79 | 4P | 73 | 187 | 19.27 | 3.2 | 1.00 | | | | | GFA159R99
GFAF159R99
GF159R99
GFF159R99 | 4P | | | | | | | | | | | | | | | | | | | | | | | | | | | | | | | | | | | | | | | | | | | | | | | | | | | | | | | | | | | | | | | | | | | | | | | | | | | | | | | | | | | | | | | | | | | | | | | | | | | | | | | | | | | | | | | | | | | | | | | | | | | | | | | | | | | | | | | | | | | | | | | | | | | | | | | | | | | | | | | | | | | | | | | | | | | | | | | | | | | | | | | | | | | | | | | | |
 | | | | | | | | | | | | | | | | | | | | | | | | | | | | | | | | | | | | | | | | | | | | | | | | | | | | | | | | | | | | | | | | | | | | | | | | | | | | | | | | | | | | | | | | | | | | | | | | | | | | | | | | | | | | | | | | | | | | | | | | | | | | | | | | | | | | | | | | | | | | | | | | | | | | | | | | | | | | | | | | | | | | | | | | | | | | | | | | | | | |
 | | | | | | | | | | | | | | | | | | | | | | | | | | | | | | | | | | | | | | | | | | | | | | | | | | | | | | | | | | | | | | | | | | | | | | | | | | | | | | | | | | | | | | | | | | | | | | | | | | | | | | | | | | | | | | | | | | | | | | | | | | | | | | | | | | | | | | | | | | | | | | | | | | | | | | | | | | | | | | | | | | | | | | | | | | | |
 | | | | | | | | | | | | | | | | | | | | | | | | | | | | | | | | | | | | | | | | | | | | | | | | | | | | | | | | | | | | | | | | | | | | | | | | | | | | | | | | | | | | | | | | | | | | | | | | | | | | | | | | | | | | | | | | | | | | | | | | | | | | | | | | | | | | | | | | | | | | | | | | | | | | | | | | | | | | | | | | | | | | | | | | | | | |
 | | | | | | | | | | | | | | | | | | | | | | | | | | | | | | | | | | | | | | | | | | | | | | | | | | | | | | | | | | | | | | | | | | | | | | | | | | | | | | | | | | | | | | | | | | | | | | | | | | | | | | | | | | | | | | | | | | | | | | | | | | | | | | | | | | | | | | | | | | | | | | | | | | | | | | | | | | | | | | | | | | | | | | | | | | | | | | | | | | | | | | | | | | | | | | | | | | | | | | | | | | | | | | | | | | | | | | | | | | | | | | | | | |
 | | | | | | | | | | | | | | | | | | | | | | | | | | | | | | | | | | | | | | | | | | |
| 21 | 646 | 66.46 | 18 | 2.20 | 24 | 567 | | | 58.32 | 19 | 2.50 | 25 | 537 | | | 55.27 | 19 | | | 2.70 | 29 | 470 | | | 48.37 | 19 | | | 3.00 | GFA79
GFAF79
GF79
GFF79 | 4P | | | 82 | 166 | | | 17.03 | 3.2 | 1.15 | GFA159R99
GFAF159R99
GF159R99
GFF159R99 | 4P | | | 32 | 424 | 43.58 | 19 | 3.40 | 37 | 372 | 38.23 | 19 | 3.90 | 38 | 356 | | | 36.58 | 19 | 3.00 | GFA79
GFAF79
GF79
GFF79 | 4P | | | 88 | 159 | | | 16.36 | 5.6 | 2.40 | | | GFA159R99
GFAF159R99
GF159R99
GFF159R99 | 4P | | | 44 | 306 | 31.51 | 19 | 4.30 | | | 15 | 881 | 90.59 | 8.8 | 0.90 | | | GFA79
GFAF79
GF79
GFF79 | 4P | 86 | 135 | 13.93 | | | 5.4 | 2.80 | | | GFA159R99
GFAF159R99
GF159R99
GFF159R99 | | | 4P | 18 | 775 | 79.76 | | | 10 | 1.00 | 21 | 658 | 67.65 | | | 11 | 1.20 | | | GFA79
GFAF79
GF79
GFF79 | 4P | 82 | | | 166 | 17.03 | | 3.2 | 1.15 | | | | GFA39
GFAF39
GF39
GFF39 | 4P | 23 | | | 594 | 61.07 | 11 | 1.30 | 26 | | | 522 | 53.73 | 12 | 1.50 | | | GFA79
GFAF79
GF79
GFF79 | 4P | 98 | | | 139 | 14.33 | | 3.2 | 1.35 | | | | GFA159R99
GFAF159R99
GF159R99
GFF159R99 | 4P | 28 | | 493 | | 50.74 | 12 | 1.60 | 32 | | 420 | | 43.20 | 12 | 1.85 | | | GFA79
GFAF79
GF79
GFF79 | 4P | 109 | | | 125 | 12.87 | | 3.1 | 1.55 | | | | GFA159R99
GFAF159R99
GF159R99
GFF159R99 | 4P | 36 | | 382 | | 39.26 | 12 | 1.95 | 39 | | | 353 | 36.30
 | 12 | 2.20 | | | GFA79
GFAF79
GF79
GFF79 | 4P | 126 | | | 108 | 11.08 | | 3.1 | 1.70 | | | | GFA159R99
GFAF159R99
GF159R99
GFF159R99 | 4P | 44 | | 312 | | 32.08 | 12 | 2.50 | 51 | | | 266 | 27.41 | 12 | 2.90 | | | GFA79
GFAF79
GF79
GFF79 | 4P | 134 | | | 101 | 10.42 | | 3.1 | 1.75 | | | | GFA159R99
GFAF159R99
GF159R99
GFF159R99 | 4P | 56 | | 244 | | 25.13 | 12 | 3.20 | 24 | | | 573 | 58.97 | 8.7 | 1.00 | | | GFA79
GFAF79
GF79
GFF79 | 4P | 156 | | | 87 | 8.97 | | 3.0 | 1.90 | | | | GFA159R99
GFAF159R99
GF159R99
GFF159R99 | 4P | 28 | | 487 | | 50.10 | 9.4 | 1.20 | 31 | | | 435 | 44.73 | 9.5 | 1.30 | | | GFA79
GFAF79
GF79
GFF79 | 4P | 174 | | | 78 | 8.03 | | 2.9 | 2.10 | | | | GFA159R99
GFAF159R99
GF159R99
GFF159R99 | 4P | 37 | | 371 | | 38.21 | 9.3 | 1.55 | 39 | | | 348 | 35.79 | 9.1 | 1.65 | | | GFA79
GFAF79
GF79
GFF79 | 4P | 0.99 | | | 19107 | 1441 | | 93 | 0.95 | | | | GFA159R99
GFAF159R99
GF159R99
GFF159R99 | 4P | 46 | | 293 | | 30.15 | 8.8 | 1.95 | 5.0 | | | 3779 | 285 | 30 | 1.15 | | | GFA159R99
GFAF159R99
GF159R99
GFF159R99 | 4P | 1.1 | | | 17344 | 1308 | | 96 | 1.05 | | | | GFA129R79
GFAF129R79
GF129R79
GFF129R79 | 4P | 5.8 | | 3249 | | 245 | 31
 | 1.30 | 1.2 | | | 15501 | 1169 | 101 | 1.15 | | | GFA159R99
GFAF159R99
GF159R99
GFF159R99 | 4P | 1.5 | | | 12637 | 953 | | 107 | 1.40 | | | | GFA129R79
GFAF129R79
GF129R79
GFF129R79 | 4P | 1.7 | | 11205 | | 845 | 110 | 1.60 | 1.9 | | | 10130 | 764 | 111 | 1.75 | | | GFA159R99
GFAF159R99
GF159R99
GFF159R99 | 4P | 1.7 | | | 10860 | 819 | | 86 | 1.10 | | | | GFA109R79
GFAF109R79
GF109R79
GFF109R79 | 4P | 2.1 | | 9017 | | 680 | 113 | 1.95 | 2.5 | | | 7638 | 576 | 114 | 2.30 | | | GFA159R99
GFAF159R99
GF159R99
GFF159R99 | 4P | 2.0 | | | 9627 | 726 | | 86 | 1.25 | | | | GFA129R79
GFAF129R79
GF129R79
GFF129R79 | 4P | 3.2 | | 5914 | | 446 | 114 | 3.00 | 4.7 | | | 4004 | 302 | 114 | 4.40 | | | GFA159R99
GFAF159R99
GF159R99
GFF159R99 | 4P | 2.2 | | | 8579 | 647 | | 86 | 1.40 | | | | GFA109R79
GFAF109R79
GF109R79
GFF109R79 | 4P | 5.2 | | 3620 | | 273 | 114 | 4.85 | 6.2 | | | 3076 | 232 | 114 | 5.70 | | | GFA159R99
GFAF159R99
GF159R99
GFF159R99 | 4P | 2.6 | | | 7266 | 548 | | 86 | 1.65 | | | | GFA109R79
GFAF109R79
GF109R79
GFF109R79 | 4P | 7.3 | | 2612 | | 197 | 114 | 6.90 | 1.3 | | | 14254 | 1075 | 81 | 0.85 | | | GFA159R99
GFAF159R99
GF159R99
GFF159R99 | 4P | 2.9 | | | 6550 | 494
 | | 86 | 1.80 | | | | GFA109R79
GFAF109R79
GF109R79
GFF109R79 | 4P | 1.5 | | 12318 | | 929 | 85 | 1.00 | 1.7 | | | 10860 | 819 | 86 | 1.10 | | | GFA159R99
GFAF159R99
GF159R99
GFF159R99 | 4P | 3.3 | | | 5675 | 428 | | 86 | 2.10 | | | | GFA109R79
GFAF109R79
GF109R79
GFF109R79 | 4P | 2.0 | | 9627 | | 726 | 86 | 1.25 | 2.2 | | | 8579 | 647 | 86 | 1.40 | | | GFA159R99
GFAF159R99
GF159R99
GFF159R99 | 4P | 2.2 | | | 8486 | 640 | | 45 | 0.90 | | | | GFA99R59
GFAF99R59
GF99R59
GFF99R59 | 4P | 2.6 | | 7266 | | 548 | 86 | 1.65 | 2.9 | | | 6550 | 494 | 86 | 1.80 | | | GFA159R99
GFAF159R99
GF159R99
GFF159R99 | 4P | 2.6 | | | 7425 | 560 | | 48 | 1.05 | | | | GFA109R79
GFAF109R79
GF109R79
GFF109R79 | 4P | 3.3 | | 5675 | | 428 | 86 | 2.10 | 3.3 | | | 5781 | 436 | 51 | 1.35 | | | GFA159R99
GFAF159R99
GF159R99
GFF159R99 | 4P | 2.9 | | | 6484 | 489 | | 50 | 1.20 | | | | GFA109R79
GFAF109R79
GF109R79
GFF109R79 | 4P | 3.9 | | 4906 | | 370 | 53 | 1.60 | 4.3 | | | 4416 | 333 | 54 | 1.75 | | | GFA159R99
GFAF159R99
GF159R99
GFF159R99 | 4P | 3.9 | | | 4906 | 370 | | 53 | 1.60 | | | | GFA109R79
GFAF109R79
GF109R79
GFF109R79 | 4P | 5.0 | | 3779 | | 285 | 30 | 1.15 | 5.8 | | | | | | | | | | | | | | | | | | | | | | | | | | | | | | | | | | | | | | | | | | | | | | | | | | | | | | |
 | | 3249 | 245 | 31 | 1.30 | | | GFA159R99
GFAF159R99
GF159R99
GFF159R99 | 4P | 4.3 | | | 4416 | 333 | | 54 | 1.75 | | | | GFA99R59
GFAF99R59
GF99R59
GFF99R59 | 4P | | | | | | | | | | | | | | | | | | | | | | | | | | | | | | | | | | | | | | | | | | | | | | | | | | | | | | | | | | | | | | | | | | | | | | | | | | | | | | | | | | | | | | | | | | | | | | | | | | | | | | | | | | | | | | | | | | | | | | | | | | | | | | | | | | | | | | | | | | | | | | | | | | | | | | | | | | | | | | | | | | | | | | | | | | | | | | | | | | | | | | | | | | | | | | | | | | | | | | | | | | | |
 | | | | | | | | | | | | | | | | | | | | | | | | | | | | | | | | | | | | | | | | | | |
| 24 | 567 | 58.32 | 19 | 2.50 | 25 | 537 | | | 55.27 | 19 | 2.70 | 29 | 470 | | | 48.37 | 19 | | | 3.00 | GFA79
GFAF79
GF79
GFF79 | 4P | | | 82 | 166 | | | 17.03 | | | 3.2 | 1.15 | GFA159R99
GFAF159R99
GF159R99
GFF159R99 | 4P | | | 32 | 424 | 43.58 | | | 19 | 3.40 | 37 | 372 | 38.23 | 19 | 3.90 | 38 | 356 | 36.58 | 19 | 3.00 | GFA79
GFAF79
GF79
GFF79 | 4P | | | 88 | 159 | 16.36 | | | | | 5.6 | 2.40 | | | GFA159R99
GFAF159R99
GF159R99
GFF159R99 | 4P | 44 | 306 | 31.51 | | | | | 19 | 4.30 | 15 | 881 | 90.59 | 8.8 | 0.90 | GFA79
GFAF79
GF79
GFF79 | 4P | 86 | 135 | 13.93 | | | | | 5.4 | 2.80 | GFA159R99
GFAF159R99
GF159R99
GFF159R99 | | | 4P | 18 | | | | 775 | 79.76 | | 10 | 1.00 | 21 | | | 658 | 67.65 | 11 | 1.20 | GFA79
GFAF79
GF79
GFF79 | 4P | 82 | 166 | 17.03 | | | | | 3.2 | | | 1.15 | GFA39
GFAF39
GF39
GFF39 | | 4P | 23 | 594 | 61.07 | | | | 11 | | | 1.30 | 26 | 522 | 53.73 | 12 | 1.50 | GFA79
GFAF79
GF79
GFF79 | 4P | 98 | 139 | 14.33 | | | | | 3.2 | | | 1.35 | GFA159R99
GFAF159R99
GF159R99
GFF159R99 | | 4P | 28 | 493 | 50.74 | | | | 12 | | 1.60 | | 32 | 420 | 43.20 | 12 | 1.85 | GFA79
GFAF79
GF79
GFF79 | 4P | 109 | 125 | 12.87 | | | | | 3.1 | | | 1.55 | GFA159R99
GFAF159R99
GF159R99
GFF159R99 | | 4P | 36 | 382 | 39.26 | | | | 12 | | 1.95 | | 39 | 353 | 36.30 | 12 | 2.20 | GFA79
GFAF79
GF79
GFF79 | 4P | 126
 | 108 | 11.08 | | | | | 3.1 | | | 1.70 | GFA159R99
GFAF159R99
GF159R99
GFF159R99 | | 4P | 44 | 312 | 32.08 | | | | 12 | | 2.50 | | 51 | 266 | 27.41 | 12 | 2.90 | GFA79
GFAF79
GF79
GFF79 | 4P | 134 | 101 | 10.42 | | | | | 3.1 | | | 1.75 | GFA159R99
GFAF159R99
GF159R99
GFF159R99 | | 4P | 56 | 244 | 25.13 | | | | 12 | | 3.20 | | 24 | 573 | 58.97 | 8.7 | 1.00 | GFA79
GFAF79
GF79
GFF79 | 4P | 156 | 87 | 8.97 | | | | | 3.0 | | | 1.90 | GFA159R99
GFAF159R99
GF159R99
GFF159R99 | | 4P | 28 | 487 | 50.10 | | | | 9.4 | | 1.20 | | 31 | 435 | 44.73 | 9.5 | 1.30 | GFA79
GFAF79
GF79
GFF79 | 4P | 174 | 78 | 8.03 | | | | | 2.9 | | | 2.10 | GFA159R99
GFAF159R99
GF159R99
GFF159R99 | | 4P | 37 | 371 | 38.21 | | | | 9.3 | | 1.55 | | 39 | 348 | 35.79 | 9.1 | 1.65 | GFA79
GFAF79
GF79
GFF79 | 4P | 0.99 | 19107 | 1441 | | | | | 93 | | | 0.95 | GFA159R99
GFAF159R99
GF159R99
GFF159R99 | | 4P | 46 | 293 | 30.15 | | | | 8.8 | | 1.95 | | 5.0 | 3779 | 285 | 30 | 1.15 | GFA159R99
GFAF159R99
GF159R99
GFF159R99 | 4P | 1.1 | 17344 | 1308 | | | | | 96 | | | 1.05 | GFA129R79
GFAF129R79
GF129R79
GFF129R79 | | 4P | 5.8 | 3249 | 245 | | | | 31 | | 1.30 | | 1.2 | 15501
 | 1169 | 101 | 1.15 | GFA159R99
GFAF159R99
GF159R99
GFF159R99 | 4P | 1.5 | 12637 | 953 | | | | | 107 | | | 1.40 | GFA129R79
GFAF129R79
GF129R79
GFF129R79 | | 4P | 1.7 | 11205 | 845 | | | | 110 | | 1.60 | | 1.9 | 10130 | 764 | 111 | 1.75 | GFA159R99
GFAF159R99
GF159R99
GFF159R99 | 4P | 1.7 | 10860 | 819 | | | | | 86 | | | 1.10 | GFA109R79
GFAF109R79
GF109R79
GFF109R79 | | 4P | 2.1 | 9017 | 680 | | | | 113 | | 1.95 | | 2.5 | 7638 | 576 | 114 | 2.30 | GFA159R99
GFAF159R99
GF159R99
GFF159R99 | 4P | 2.0 | 9627 | 726 | | | | | 86 | | | 1.25 | GFA129R79
GFAF129R79
GF129R79
GFF129R79 | | 4P | 3.2 | 5914 | 446 | | | | 114 | | 3.00 | | 4.7 | 4004 | 302 | 114 | 4.40 | GFA159R99
GFAF159R99
GF159R99
GFF159R99 | 4P | 2.2 | 8579 | 647 | | | | | 86 | | | 1.40 | GFA109R79
GFAF109R79
GF109R79
GFF109R79 | | 4P | 5.2 | 3620 | 273 | | | | 114 | | 4.85 | | 6.2 | 3076 | 232 | 114 | 5.70 | GFA159R99
GFAF159R99
GF159R99
GFF159R99 | 4P | 2.6 | 7266 | 548 | | | | | 86 | | | 1.65 | GFA109R79
GFAF109R79
GF109R79
GFF109R79 | | 4P | 7.3 | 2612 | 197 | | | | 114 | | 6.90 | | 1.3 | 14254 | 1075 | 81 | 0.85 | GFA159R99
GFAF159R99
GF159R99
GFF159R99 | 4P | 2.9 | 6550 | 494 | | | | | 86 | | | 1.80 |
GFA109R79
GFAF109R79
GF109R79
GFF109R79 | | 4P | 1.5 | 12318 | 929 | | | | 85 | | 1.00 | | 1.7 | 10860 | 819 | 86 | 1.10 | GFA159R99
GFAF159R99
GF159R99
GFF159R99 | 4P | 3.3 | 5675 | 428 | | | | | 86 | | | 2.10 | GFA109R79
GFAF109R79
GF109R79
GFF109R79 | | 4P | 2.0 | 9627 | 726 | | | | 86 | | 1.25 | | 2.2 | 8579 | 647 | 86 | 1.40 | GFA159R99
GFAF159R99
GF159R99
GFF159R99 | 4P | 2.2 | 8486 | 640 | | | | | 45 | | | 0.90 | GFA99R59
GFAF99R59
GF99R59
GFF99R59 | | 4P | 2.6 | 7266 | 548 | | | | 86 | | 1.65 | | 2.9 | 6550 | 494 | 86 | 1.80 | GFA159R99
GFAF159R99
GF159R99
GFF159R99 | 4P | 2.6 | 7425 | 560 | | | | | 48 | | | 1.05 | GFA109R79
GFAF109R79
GF109R79
GFF109R79 | | 4P | 3.3 | 5675 | 428 | | | | 86 | | 2.10 | | 3.3 | 5781 | 436 | 51 | 1.35 | GFA159R99
GFAF159R99
GF159R99
GFF159R99 | 4P | 2.9 | 6484 | 489 | | | | | 50 | | | 1.20 | GFA109R79
GFAF109R79
GF109R79
GFF109R79 | | 4P | 3.9 | 4906 | 370 | | | | 53 | | 1.60 | | 4.3 | 4416 | 333 | 54 | 1.75 | GFA159R99
GFAF159R99
GF159R99
GFF159R99 | 4P | 3.9 | 4906 | 370 | | | | | 53 | | | 1.60 | GFA109R79
GFAF109R79
GF109R79
GFF109R79 | | 4P | 5.0 | 3779 | 285 | | | | 30 | | 1.15 | | 5.8 | 3249 | 245 | 31 | 1.30
 | GFA159R99
GFAF159R99
GF159R99
GFF159R99 | 4P | 4.3 | 4416 | 333 | | | | | 54 | | | 1.75 | GFA99R59
GFAF99R59
GF99R59
GFF99R59 | | 4P | | | | | | | | | | | | | | | | | | | | | | | | | | | | | | | | | | | | | | | | | | | | | | | | | | | | | | | | | | | | | | | | | | | | | | | | | | | | | | | | | | | | | | | | | | | | | | | | | | | | | | | | | | | | | | | | | | | | | | | | | | | | | | | | | | | | | | | | | | | | | | | | | | | | | | | | | | | | | | | | | | | | | | | | | | | | | | | | | | | | | | | | | | | | | | | | | | | | | | | | | | | | | | | | | |
 | | | | | | | | | | | | | | | | | | | | | | | | | | | | | | | | | | | | | | | | | | |
| 25 | 537 | 55.27 | 19 | 2.70 | 29 | 470 | | | 48.37 | 19 | 3.00 | GFA79
GFAF79
GF79
GFF79 | 4P | | | 82 | 166 | | | 17.03 | | | 3.2 | 1.15 | GFA159R99
GFAF159R99
GF159R99
GFF159R99 | 4P | | | 32 | | | 424 | 43.58 | | | 19 | 3.40 | 37 | 372 | 38.23 | | | 19 | 3.90 | 38 | 356 | 36.58 | 19 | 3.00 | GFA79
GFAF79
GF79
GFF79 | 4P | 88 | 159 | 16.36 | | | | | 5.6 | 2.40 | GFA159R99
GFAF159R99
GF159R99
GFF159R99 | | | 4P | 44 | 306 | 31.51 | | | | | 19 | 4.30 | 15 | | | 881 | 90.59 | 8.8 | 0.90 | GFA79
GFAF79
GF79
GFF79 | 4P | 86 | 135 | 13.93 | | | 5.4 | 2.80 | GFA159R99
GFAF159R99
GF159R99
GFF159R99 | | | | | 4P | 18 | | 775 | 79.76 | | 10 | | | | 1.00 | 21 | | 658 | 67.65 | 11 | 1.20 | GFA79
GFAF79
GF79
GFF79 | 4P | 82 | 166 | 17.03 | | | 3.2 | 1.15 | GFA39
GFAF39
GF39
GFF39 | | | | | 4P | 23 | 594 | 61.07 | | | | 11 | 1.30 | 26 | | | | 522 | 53.73 | 12 | 1.50 | GFA79
GFAF79
GF79
GFF79 | 4P | 98 | 139 | 14.33 | | | 3.2 | 1.35 | GFA159R99
GFAF159R99
GF159R99
GFF159R99 | | | | | 4P | 28 | 493 | 50.74 | | | | 12 | 1.60 | 32 | | | | 420 | 43.20 | 12 | 1.85 | GFA79
GFAF79
GF79
GFF79 | 4P | 109 | 125 | 12.87 | | | 3.1 | 1.55 | GFA159R99
GFAF159R99
GF159R99
GFF159R99 | | | | | 4P | 36 | 382 | 39.26 | | | | 12 | 1.95 | 39 | | | | 353 | 36.30 | 12 | 2.20 | GFA79
GFAF79
GF79
GFF79 | 4P | 126 | 108 | 11.08 | | | 3.1
 | 1.70 | GFA159R99
GFAF159R99
GF159R99
GFF159R99 | | | | | 4P | 44 | 312 | 32.08 | | | | 12 | 2.50 | 51 | | | | 266 | 27.41 | 12 | 2.90 | GFA79
GFAF79
GF79
GFF79 | 4P | 134 | 101 | 10.42 | | | 3.1 | 1.75 | GFA159R99
GFAF159R99
GF159R99
GFF159R99 | | | | | 4P | 56 | 244 | 25.13 | | | | 12 | 3.20 | 24 | | | | 573 | 58.97 | 8.7 | 1.00 | GFA79
GFAF79
GF79
GFF79 | 4P | 156 | 87 | 8.97 | | | 3.0 | 1.90 | GFA159R99
GFAF159R99
GF159R99
GFF159R99 | | | | | 4P | 28 | 487 | 50.10 | | | | 9.4 | 1.20 | 31 | | | | 435 | 44.73 | 9.5 | 1.30 | GFA79
GFAF79
GF79
GFF79 | 4P | 174 | 78 | 8.03 | | | 2.9 | 2.10 | GFA159R99
GFAF159R99
GF159R99
GFF159R99 | | | | | 4P | 37 | 371 | 38.21 | | | | 9.3 | 1.55 | 39 | | | | 348 | 35.79 | 9.1 | 1.65 | GFA79
GFAF79
GF79
GFF79 | 4P | 0.99 | 19107 | 1441 | | | 93 | 0.95 | GFA159R99
GFAF159R99
GF159R99
GFF159R99 | | | | | 4P | 46 | 293 | 30.15 | | | | 8.8 | 1.95 | 5.0 | | | | 3779 | 285 | 30 | 1.15 | GFA159R99
GFAF159R99
GF159R99
GFF159R99 | 4P | 1.1 | 17344 | 1308 | | | 96 | 1.05 | GFA129R79
GFAF129R79
GF129R79
GFF129R79 | | | | | 4P | 5.8 | 3249 | 245 | | | | 31 | 1.30 | 1.2 | | | | 15501 | 1169 | 101 | 1.15 | GFA159R99
GFAF159R99
GF159R99
GFF159R99 |
4P | 1.5 | 12637 | 953 | | | 107 | 1.40 | GFA129R79
GFAF129R79
GF129R79
GFF129R79 | | | | | 4P | 1.7 | 11205 | 845 | | | | 110 | 1.60 | 1.9 | | | | 10130 | 764 | 111 | 1.75 | GFA159R99
GFAF159R99
GF159R99
GFF159R99 | 4P | 1.7 | 10860 | 819 | | | 86 | 1.10 | GFA109R79
GFAF109R79
GF109R79
GFF109R79 | | | | | 4P | 2.1 | 9017 | 680 | | | | 113 | 1.95 | 2.5 | | | | 7638 | 576 | 114 | 2.30 | GFA159R99
GFAF159R99
GF159R99
GFF159R99 | 4P | 2.0 | 9627 | 726 | | | 86 | 1.25 | GFA129R79
GFAF129R79
GF129R79
GFF129R79 | | | | | 4P | 3.2 | 5914 | 446 | | | | 114 | 3.00 | 4.7 | | | | 4004 | 302 | 114 | 4.40 | GFA159R99
GFAF159R99
GF159R99
GFF159R99 | 4P | 2.2 | 8579 | 647 | | | 86 | 1.40 | GFA109R79
GFAF109R79
GF109R79
GFF109R79 | | | | | 4P | 5.2 | 3620 | 273 | | | | 114 | 4.85 | 6.2 | | | | 3076 | 232 | 114 | 5.70 | GFA159R99
GFAF159R99
GF159R99
GFF159R99 | 4P | 2.6 | 7266 | 548 | | | 86 | 1.65 | GFA109R79
GFAF109R79
GF109R79
GFF109R79 | | | | | 4P | 7.3 | 2612 | 197 | | | | 114 | 6.90 | 1.3 | | | | 14254 | 1075 | 81 | 0.85 | GFA159R99
GFAF159R99
GF159R99
GFF159R99 | 4P | 2.9 | 6550 | 494 | | | 86 | 1.80 | GFA109R79
GFAF109R79
GF109R79
GFF109R79 | | | | | 4P | 1.5 | 12318 | 929
 | | | 85 | 1.00 | 1.7 | | | | 10860 | 819 | 86 | 1.10 | GFA159R99
GFAF159R99
GF159R99
GFF159R99 | 4P | 3.3 | 5675 | 428 | | | 86 | 2.10 | GFA109R79
GFAF109R79
GF109R79
GFF109R79 | | | | | 4P | 2.0 | 9627 | 726 | | | | 86 | 1.25 | 2.2 | | | | 8579 | 647 | 86 | 1.40 | GFA159R99
GFAF159R99
GF159R99
GFF159R99 | 4P | 2.2 | 8486 | 640 | | | 45 | 0.90 | GFA99R59
GFAF99R59
GF99R59
GFF99R59 | | | | | 4P | 2.6 | 7266 | 548 | | | | 86 | 1.65 | 2.9 | | | | 6550 | 494 | 86 | 1.80 | GFA159R99
GFAF159R99
GF159R99
GFF159R99 | 4P | 2.6 | 7425 | 560 | | | 48 | 1.05 | GFA109R79
GFAF109R79
GF109R79
GFF109R79 | | | | | 4P | 3.3 | 5675 | 428 | | | | 86 | 2.10 | 3.3 | | | | 5781 | 436 | 51 | 1.35 | GFA159R99
GFAF159R99
GF159R99
GFF159R99 | 4P | 2.9 | 6484 | 489 | | | 50 | 1.20 | GFA109R79
GFAF109R79
GF109R79
GFF109R79 | | | | | 4P | 3.9 | 4906 | 370 | | | | 53 | 1.60 | 4.3 | | | | 4416 | 333 | 54 | 1.75 | GFA159R99
GFAF159R99
GF159R99
GFF159R99 | 4P | 3.9 | 4906 | 370 | | | 53 | 1.60 | GFA109R79
GFAF109R79
GF109R79
GFF109R79 | | | | | 4P | 5.0 | 3779 | 285 | | | | 30 | 1.15 | 5.8 | | | | 3249 | 245 | 31 | 1.30 | GFA159R99
GFAF159R99
GF159R99
GFF159R99 | 4P | 4.3 | 4416 | 333
 | | | 54 | 1.75 | GFA99R59
GFAF99R59
GF99R59
GFF99R59 | | | | | 4P | | | | | | | | | | | | | | | | | | | | | | | | | | | | | | | | | | | | | | | | | | | | | | | | | | | | | | | | | | | | | | | | | | | | | | | | | | | | | | | | | | | | | | | | | | | | | | | | | | | | | | | | | | | | | | | | | | | | | | | | | | | | | | | | | | | | | | | | | | | | | | | | | | | | | | | | | | | | | | | | | | | | | | | | | | | | | | | | | | | | | | | | | | | | | | | | | | | | | | | | | | | | | | | | | | | | | | | |
 | | | | | | | | | | | | | | | | | | | | | | | | | | | | | | | | | | | | | | | | | | |
| 29 | 470 | 48.37 | 19 | 3.00 | GFA79
GFAF79
GF79
GFF79 | 4P | | | 82 | 166 | 17.03 | | | 3.2 | 1.15 | GFA159R99
GFAF159R99
GF159R99
GFF159R99 | 4P | | | | | | | | | | | | | | | | | | | | | | | | | | | | | | | | | | | | | | | | | | | | | | | | | | | | | | | | | | | | | | | | | | | | | | | | | | | | | | | | | | | | | | | | | | | | | | | | | | | | | | | | | | | | | | | | | | | | | | | | | | | | | | | | | | | | | | | | | | | | | | | | | | | | | | | | | | | | | | | | | | | | | | | | | | | | | | | | | | | | | | | | | | | | | | | | | | |
 | | | | | | | | | | | | | | | | | | | | | | | | | | | | | | | | | | | | | | | | | | | | | | | | | | | | | | | | | | | | | | | | | | | | | | | | | | | | | | | | | | | | | | | | | | | | | | | | | | | | | | | | | | | | | | | | | | | | | | | | | | | | | | | | | | | | | | | | | | | | | | | | | | | | | | | | | | | | | | | | | | | | | | | | | | | | | | | | | | | |
 | | | | | | | | | | | | | | | | | | | | | | | | | | | | | | | | | | | | | | | | | | | | | | | | | | | | | | | | | | | | | | | | | | | | | | | | | | | | | | | | | | | | | | | | | | | | | | | | | | | | | | | | | | | | | | | | | | | | | | | | | | | | | | | | | | | | | | | | | | | | | | | | | | | | | | | | | | | | | | | | | | | | | | | | | | | |
 | | | | | | | | | | | | | | | | | | | | | | | | | | | | | | | | | | | | | | | | | | | | | | | | | | | | | | | | | | | | | | | | | | | | | | | | | | | | | | | | | | | | | | | | | | | | | | | | | | | | | | | | | | | | | | | | | | | | | | | | | | | | | | | | | | | | | | | | | | | | | | | | | | | | | | | | | | | | | | | | | | | | | | | | | | | |
 | | | | | | | | | | | | | | | | | | | | | | | | | | | | | | | | | | | | | | | | | | | | | | | | | | | | | | | | | | | | | | | | | | | | | | | | | | | | | | | | | | | | | | | | | | | | | | | | | | | | | | | | | | | | | | | | | | | | | | | | | | | | | | | | | | | | | | | | | | | | | | | | | | | | | | | | | | | | | | | | | | | | | | | | | | | | | | | | | | | | | | | | | | | | | | | | | | | | | | | | | | | | | | | | | | | | | | | | | | | | | | | | | |
 | | | | | | | | | | | | | | | | | | | | | | | | | | | | | | | | | | | | | | | | | | |
| 32 | 424 | 43.58 | 19 | 3.40 | | | 37 | 372 | 38.23 | 19 | 3.90 | | | 38 | 356 | | | 36.58 | 19 | 3.00 | | | GFA79
GFAF79
GF79
GFF79 | 4P | | | 88 | 159 | 16.36 | | | 5.6 | 2.40 | | | GFA159R99
GFAF159R99
GF159R99
GFF159R99 | 4P | 44 | 306 | 31.51 | | | 19 | 4.30 | 15 | 881 | 90.59 | 8.8 | 0.90 | | | GFA79
GFAF79
GF79
GFF79 | 4P | 86 | | | 135 | 13.93 | 5.4 | 2.80 | | | | | GFA159R99
GFAF159R99
GF159R99
GFF159R99 | 4P | 18 | 775 | 79.76 | | | 10 | 1.00 | 21 | | | 658 | 67.65 | 11 | 1.20 | | | GFA79
GFAF79
GF79
GFF79 | 4P | 82 | | | 166 | 17.03 | | 3.2 | 1.15 | | | | GFA39
GFAF39
GF39
GFF39 | | 4P | 23 | | 594 | 61.07 | 11 | | 1.30 | 26 | | 522 | 53.73 | 12 | 1.50 | | | GFA79
GFAF79
GF79
GFF79 | 4P | 98 | | | 139 | 14.33 | | 3.2 | 1.35 | | | | GFA159R99
GFAF159R99
GF159R99
GFF159R99 | 4P | 28 | | 493 | | 50.74 | 12 | 1.60 | 32 | | | 420 | 43.20 | 12 | 1.85 | | | GFA79
GFAF79
GF79
GFF79 | 4P | 109 | | | 125 | 12.87 | | 3.1 | 1.55 | | | | GFA159R99
GFAF159R99
GF159R99
GFF159R99 | 4P | 36 | | 382 | | 39.26 | 12 | 1.95 | 39 | | | 353 | 36.30 | 12 | 2.20 | | | GFA79
GFAF79
GF79
GFF79 | 4P | 126 | | | 108 | 11.08 | | 3.1 | 1.70 | | | | GFA159R99
GFAF159R99
GF159R99
GFF159R99 | 4P | 44 | | 312 | | 32.08 | 12 | 2.50 | 51 | | | 266 | 27.41 | 12 | 2.90 | | | GFA79
GFAF79
GF79
GFF79 | 4P | 134 | | | 101
 | 10.42 | | 3.1 | 1.75 | | | | GFA159R99
GFAF159R99
GF159R99
GFF159R99 | 4P | 56 | | 244 | | 25.13 | 12 | 3.20 | 24 | | | 573 | 58.97 | 8.7 | 1.00 | | | GFA79
GFAF79
GF79
GFF79 | 4P | 156 | | | 87 | 8.97 | | 3.0 | 1.90 | | | | GFA159R99
GFAF159R99
GF159R99
GFF159R99 | 4P | 28 | | 487 | | 50.10 | 9.4 | 1.20 | 31 | | | 435 | 44.73 | 9.5 | 1.30 | | | GFA79
GFAF79
GF79
GFF79 | 4P | 174 | | | 78 | 8.03 | | 2.9 | 2.10 | | | | GFA159R99
GFAF159R99
GF159R99
GFF159R99 | 4P | 37 | | 371 | | 38.21 | 9.3 | 1.55 | 39 | | | 348 | 35.79 | 9.1 | 1.65 | | | GFA79
GFAF79
GF79
GFF79 | 4P | 0.99 | | | 19107 | 1441 | | 93 | 0.95 | | | | GFA159R99
GFAF159R99
GF159R99
GFF159R99 | 4P | 46 | | 293 | | 30.15 | 8.8 | 1.95 | 5.0 | | | 3779 | 285 | 30 | 1.15 | | | GFA159R99
GFAF159R99
GF159R99
GFF159R99 | 4P | 1.1 | | | 17344 | 1308 | | 96 | 1.05 | | | | GFA129R79
GFAF129R79
GF129R79
GFF129R79 | 4P | 5.8 | | 3249 | | 245 | 31 | 1.30 | 1.2 | | | 15501 | 1169 | 101 | 1.15 | | | GFA159R99
GFAF159R99
GF159R99
GFF159R99 | 4P | 1.5 | | | 12637 | 953 | | 107 | 1.40 | | | | GFA129R79
GFAF129R79
GF129R79
GFF129R79 | 4P | 1.7 | | 11205 | | 845 | 110 | 1.60 | 1.9 | | | 10130 | 764 | 111 | 1.75 | | | | | | | | | | | | | | | | | | | | | | | | | | | | | | | | | | | | | | | | | | | | | | | |
 | GFA159R99
GFAF159R99
GF159R99
GFF159R99 | 4P | 1.7 | | | 10860 | 819 | | 86 | 1.10 | | | | GFA109R79
GFAF109R79
GF109R79
GFF109R79 | 4P | 2.1 | | 9017 | | 680 | 113 | 1.95 | 2.5 | | | 7638 | 576 | 114 | 2.30 | | | GFA159R99
GFAF159R99
GF159R99
GFF159R99 | 4P | 2.0 | | | 9627 | 726 | | 86 | 1.25 | | | | GFA129R79
GFAF129R79
GF129R79
GFF129R79 | 4P | 3.2 | | 5914 | | 446 | 114 | 3.00 | 4.7 | | | 4004 | 302 | 114 | 4.40 | | | GFA159R99
GFAF159R99
GF159R99
GFF159R99 | 4P | 2.2 | | | 8579 | 647 | | 86 | 1.40 | | | | GFA109R79
GFAF109R79
GF109R79
GFF109R79 | 4P | 5.2 | | 3620 | | 273 | 114 | 4.85 | 6.2 | | | 3076 | 232 | 114 | 5.70 | | | GFA159R99
GFAF159R99
GF159R99
GFF159R99 | 4P | 2.6 | | | 7266 | 548 | | 86 | 1.65 | | | | GFA109R79
GFAF109R79
GF109R79
GFF109R79 | 4P | 7.3 | | 2612 | | 197 | 114 | 6.90 | 1.3 | | | 14254 | 1075 | 81 | 0.85 | | | GFA159R99
GFAF159R99
GF159R99
GFF159R99 | 4P | 2.9 | | | 6550 | 494 | | 86 | 1.80 | | | | GFA109R79
GFAF109R79
GF109R79
GFF109R79 | 4P | 1.5 | | 12318 | | 929 | 85 | 1.00 | 1.7 | | | 10860 | 819 | 86 | 1.10 | | | GFA159R99
GFAF159R99
GF159R99
GFF159R99 | 4P | 3.3 | | | 5675 | 428 | | 86 | 2.10 | | | | GFA109R79
GFAF109R79
GF109R79
GFF109R79 | 4P | 2.0 |
 | 9627 | | 726 | 86 | 1.25 | 2.2 | | | 8579 | 647 | 86 | 1.40 | | | GFA159R99
GFAF159R99
GF159R99
GFF159R99 | 4P | 2.2 | | | 8486 | 640 | | 45 | 0.90 | | | | GFA99R59
GFAF99R59
GF99R59
GFF99R59 | 4P | 2.6 | | 7266 | | 548 | 86 | 1.65 | 2.9 | | | 6550 | 494 | 86 | 1.80 | | | GFA159R99
GFAF159R99
GF159R99
GFF159R99 | 4P | 2.6 | | | 7425 | 560 | | 48 | 1.05 | | | | GFA109R79
GFAF109R79
GF109R79
GFF109R79 | 4P | 3.3 | | 5675 | | 428 | 86 | 2.10 | 3.3 | | | 5781 | 436 | 51 | 1.35 | | | GFA159R99
GFAF159R99
GF159R99
GFF159R99 | 4P | 2.9 | | | 6484 | 489 | | 50 | 1.20 | | | | GFA109R79
GFAF109R79
GF109R79
GFF109R79 | 4P | 3.9 | | 4906 | | 370 | 53 | 1.60 | 4.3 | | | 4416 | 333 | 54 | 1.75 | | | GFA159R99
GFAF159R99
GF159R99
GFF159R99 | 4P | 3.9 | | | 4906 | 370 | | 53 | 1.60 | | | | GFA109R79
GFAF109R79
GF109R79
GFF109R79 | 4P | 5.0 | | 3779 | | 285 | 30 | 1.15 | 5.8 | | | 3249 | 245 | 31 | 1.30 | | | GFA159R99
GFAF159R99
GF159R99
GFF159R99 | 4P | 4.3 | | | 4416 | 333 | | 54 | 1.75 | | | | GFA99R59
GFAF99R59
GF99R59
GFF99R59 | 4P | | | | | | | | | | | | | | | | | | |
 | | | | | | | | | | | | | | | | | | | | | | | | | | | | | | | | | | | | | | | | | | | | | | | | | | | | | | | | | | | | | | | | | | | | | | | | | | | | | | | | | | | | | | | | | | | | | | | | | | | | | | | | | | | | | | | | | | | | | | | | | | | | | | | | | | | | | | | | | | | | | | | | | | | | | | | | | | | | | | | | | | | | | | | | | | | | | | | | | | | | | | | | | | | | | | | | | | | | | | | | | | | | | | | | | | | | | | | | | | | | | | | | | |
 | | | | | | | | | | | | | | | | | | | | | | | | | | | | | | | | | | | | | | | | | | |
| 37 | 372 | 38.23 | 19 | 3.90 | | | 38 | 356 | 36.58 | 19 | 3.00 | | | GFA79
GFAF79
GF79
GFF79 | 4P | | | 88 | 159 | 16.36 | | | | | | | 5.6 | 2.40 | GFA159R99
GFAF159R99
GF159R99
GFF159R99 | 4P | 44 | 306 | 31.51 | | | | | 19 | 4.30 | 15 | 881 | 90.59 | 8.8 | 0.90 | GFA79
GFAF79
GF79
GFF79 | 4P | 86 | 135 | 13.93 | | | | | 5.4 | | | 2.80 | GFA159R99
GFAF159R99
GF159R99
GFF159R99 | 4P | 18 | | 775 | 79.76 | | | | 10 | 1.00 | 21 | | | 658 | 67.65 | 11 | 1.20 | GFA79
GFAF79
GF79
GFF79 | 4P | 82 | 166 | 17.03 | | | | | 3.2 | | | 1.15 | GFA39
GFAF39
GF39
GFF39 | | 4P | 23 | 594 | 61.07 | | | | | 11 | | 1.30 | 26 | 522 | 53.73 | 12 | 1.50 | GFA79
GFAF79
GF79
GFF79 | 4P | 98 | 139 | 14.33 | | | | | 3.2 | | | 1.35 | GFA159R99
GFAF159R99
GF159R99
GFF159R99 | | 4P | 28 | 493 | 50.74 | | | | 12 | | 1.60 | | 32 | 420 | 43.20 | 12 | 1.85 | GFA79
GFAF79
GF79
GFF79 | 4P | 109 | 125 | 12.87 | | | | | 3.1 | | | 1.55 | GFA159R99
GFAF159R99
GF159R99
GFF159R99 | | 4P | 36 | 382 | 39.26 | | | | 12 | | 1.95 | | 39 | 353 | 36.30 | 12 | 2.20 | GFA79
GFAF79
GF79
GFF79 | 4P | 126 | 108 | 11.08 | | | | | 3.1 | | | 1.70 | GFA159R99
GFAF159R99
GF159R99
GFF159R99 | | 4P | 44 | 312 | 32.08 | | | | 12 | | 2.50 | | 51 | 266 | 27.41 | 12 | 2.90 | GFA79
GFAF79
GF79
GFF79 | 4P | 134 | 101 | 10.42 | | | | | 3.1 | | | 1.75
 | GFA159R99
GFAF159R99
GF159R99
GFF159R99 | | 4P | 56 | 244 | 25.13 | | | | 12 | | 3.20 | | 24 | 573 | 58.97 | 8.7 | 1.00 | GFA79
GFAF79
GF79
GFF79 | 4P | 156 | 87 | 8.97 | | | | | 3.0 | | | 1.90 | GFA159R99
GFAF159R99
GF159R99
GFF159R99 | | 4P | 28 | 487 | 50.10 | | | | 9.4 | | 1.20 | | 31 | 435 | 44.73 | 9.5 | 1.30 | GFA79
GFAF79
GF79
GFF79 | 4P | 174 | 78 | 8.03 | | | | | 2.9 | | | 2.10 | GFA159R99
GFAF159R99
GF159R99
GFF159R99 | | 4P | 37 | 371 | 38.21 | | | | 9.3 | | 1.55 | | 39 | 348 | 35.79 | 9.1 | 1.65 | GFA79
GFAF79
GF79
GFF79 | 4P | 0.99 | 19107 | 1441 | | | | | 93 | | | 0.95 | GFA159R99
GFAF159R99
GF159R99
GFF159R99 | | 4P | 46 | 293 | 30.15 | | | | 8.8 | | 1.95 | | 5.0 | 3779 | 285 | 30 | 1.15 | GFA159R99
GFAF159R99
GF159R99
GFF159R99 | 4P | 1.1 | 17344 | 1308 | | | | | 96 | | | 1.05 | GFA129R79
GFAF129R79
GF129R79
GFF129R79 | | 4P | 5.8 | 3249 | 245 | | | | 31 | | 1.30 | | 1.2 | 15501 | 1169 | 101 | 1.15 | GFA159R99
GFAF159R99
GF159R99
GFF159R99 | 4P | 1.5 | 12637 | 953 | | | | | 107 | | | 1.40 | GFA129R79
GFAF129R79
GF129R79
GFF129R79 | | 4P | 1.7 | 11205 | 845 | | | | 110 | | 1.60 | | 1.9 | 10130 | 764 | 111 | 1.75 | GFA159R99
GFAF159R99
GF159R99
GFF159R99 | 4P | 1.7 | 10860 | 819 | | | | | | | | | | | | | | | | | | | | | | | | | | | | | | | | | | | | | | | | | | | | | | | |
 | | | 86 | | | 1.10 | GFA109R79
GFAF109R79
GF109R79
GFF109R79 | | 4P | 2.1 | 9017 | 680 | | | | 113 | | 1.95 | | 2.5 | 7638 | 576 | 114 | 2.30 | GFA159R99
GFAF159R99
GF159R99
GFF159R99 | 4P | 2.0 | 9627 | 726 | | | | | 86 | | | 1.25 | GFA129R79
GFAF129R79
GF129R79
GFF129R79 | | 4P | 3.2 | 5914 | 446 | | | | 114 | | 3.00 | | 4.7 | 4004 | 302 | 114 | 4.40 | GFA159R99
GFAF159R99
GF159R99
GFF159R99 | 4P | 2.2 | 8579 | 647 | | | | | 86 | | | 1.40 | GFA109R79
GFAF109R79
GF109R79
GFF109R79 | | 4P | 5.2 | 3620 | 273 | | | | 114 | | 4.85 | | 6.2 | 3076 | 232 | 114 | 5.70 | GFA159R99
GFAF159R99
GF159R99
GFF159R99 | 4P | 2.6 | 7266 | 548 | | | | | 86 | | | 1.65 | GFA109R79
GFAF109R79
GF109R79
GFF109R79 | | 4P | 7.3 | 2612 | 197 | | | | 114 | | 6.90 | | 1.3 | 14254 | 1075 | 81 | 0.85 | GFA159R99
GFAF159R99
GF159R99
GFF159R99 | 4P | 2.9 | 6550 | 494 | | | | | 86 | | | 1.80 | GFA109R79
GFAF109R79
GF109R79
GFF109R79 | | 4P | 1.5 | 12318 | 929 | | | | 85 | | 1.00 | | 1.7 | 10860 | 819 | 86 | 1.10 | GFA159R99
GFAF159R99
GF159R99
GFF159R99 | 4P | 3.3 | 5675 | 428 | | | | | 86 | | | 2.10 | GFA109R79
GFAF109R79
GF109R79
GFF109R79 | | 4P | 2.0 | 9627 | 726 | | | | 86 |
 | 1.25 | | 2.2 | 8579 | 647 | 86 | 1.40 | GFA159R99
GFAF159R99
GF159R99
GFF159R99 | 4P | 2.2 | 8486 | 640 | | | | | 45 | | | 0.90 | GFA99R59
GFAF99R59
GF99R59
GFF99R59 | | 4P | 2.6 | 7266 | 548 | | | | 86 | | 1.65 | | 2.9 | 6550 | 494 | 86 | 1.80 | GFA159R99
GFAF159R99
GF159R99
GFF159R99 | 4P | 2.6 | 7425 | 560 | | | | | 48 | | | 1.05 | GFA109R79
GFAF109R79
GF109R79
GFF109R79 | | 4P | 3.3 | 5675 | 428 | | | | 86 | | 2.10 | | 3.3 | 5781 | 436 | 51 | 1.35 | GFA159R99
GFAF159R99
GF159R99
GFF159R99 | 4P | 2.9 | 6484 | 489 | | | | | 50 | | | 1.20 | GFA109R79
GFAF109R79
GF109R79
GFF109R79 | | 4P | 3.9 | 4906 | 370 | | | | 53 | | 1.60 | | 4.3 | 4416 | 333 | 54 | 1.75 | GFA159R99
GFAF159R99
GF159R99
GFF159R99 | 4P | 3.9 | 4906 | 370 | | | | | 53 | | | 1.60 | GFA109R79
GFAF109R79
GF109R79
GFF109R79 | | 4P | 5.0 | 3779 | 285 | | | | 30 | | 1.15 | | 5.8 | 3249 | 245 | 31 | 1.30 | GFA159R99
GFAF159R99
GF159R99
GFF159R99 | 4P | 4.3 | 4416 | 333 | | | | | 54 | | | 1.75 | GFA99R59
GFAF99R59
GF99R59
GFF99R59 | | 4P | | | | | | | | | | | | | | | | | | | | | | | | |
 | | | | | | | | | | | | | | | | | | | | | | | | | | | | | | | | | | | | | | | | | | | | | | | | | | | | | | | | | | | | | | | | | | | | | | | | | | | | | | | | | | | | | | | | | | | | | | | | | | | | | | | | | | | | | | | | | | | | | | | | | | | | | | | | | | | | | | | | | | | | | | | | | | | | | | | | | | | | | | | | | | | | | | | | | | | | | | | | | | | | | | | | | | | | | | | | | | | | | | | | | | | | | | | | | | | | | | | | | | | | | | | | | |
 | | | | | | | | | | | | | | | | | | | | | | | | | | | | | | | | | | | | | | | | | | |
| 38 | 356 | 36.58 | 19 | 3.00 | | | GFA79
GFAF79
GF79
GFF79 | 4P | 88 | 159 | 16.36 | | | | | | | 5.6 | 2.40 | GFA159R99
GFAF159R99
GF159R99
GFF159R99 | 4P | | | | | | | | | | | | | | | | | | | | | | | | | | | | | | | | | | | | | | | | | | | | | | | | | | | | | | | | | | | | | | | | | | | | | | | | | | | | | | | | | | | | | | | | | | | | | | | | | | | | | | | | | | | | | | | | | | | | | | | | | | | | | | | | | | | | | | | | | | | | | | | | | | | | | | | | | | | | | | | | | | | | | | | | | | | | | | | | | | | | | | | | | | | | | | |
 | | | | | | | | | | | | | | | | | | | | | | | | | | | | | | | | | | | | | | | | | | | | | | | | | | | | | | | | | | | | | | | | | | | | | | | | | | | | | | | | | | | | | | | | | | | | | | | | | | | | | | | | | | | | | | | | | | | | | | | | | | | | | | | | | | | | | | | | | | | | | | | | | | | | | | | | | | | | | | | | | | | | | | | | | | | | | | | | | | | |
 | | | | | | | | | | | | | | | | | | | | | | | | | | | | | | | | | | | | | | | | | | | | | | | | | | | | | | | | | | | | | | | | | | | | | | | | | | | | | | | | | | | | | | | | | | | | | | | | | | | | | | | | | | | | | | | | | | | | | | | | | | | | | | | | | | | | | | | | | | | | | | | | | | | | | | | | | | | | | | | | | | | | | | | | | | | |
 | | | | | | | | | | | | | | | | | | | | | | | | | | | | | | | | | | | | | | | | | | | | | | | | | | | | | | | | | | | | | | | | | | | | | | | | | | | | | | | | | | | | | | | | | | | | | | | | | | | | | | | | | | | | | | | | | | | | | | | | | | | | | | | | | | | | | | | | | | | | | | | | | | | | | | | | | | | | | | | | | | | | | | | | | | | |
 | | | | | | | | | | | | | | | | | | | | | | | | | | | | | | | | | | | | | | | | | | | | | | | | | | | | | | | | | | | | | | | | | | | | | | | | | | | | | | | | | | | | | | | | | | | | | | | | | | | | | | | | | | | | | | | | | | | | | | | | | | | | | | | | | | | | | | | | | | | | | | | | | | | | | | | | | | | | | | | | | | | | | | | | | | | | | | | | | | | | | | | | | | | | | | | | | | | | | | | | | | | | | | | | | | | | | | | | | | | | | | | | | |
 | | | | | | | | | | | | | | | | | | | | | | | | | | | | | | | | | | | | | | | | | | |
| 44 | 306 | 31.51 | 19 | 4.30 | | | | | 15 | 881 | 90.59 | 8.8 | 0.90 | | | | | GFA79
GFAF79
GF79
GFF79 | 4P | | | 86 | | | 135 | 13.93 | 5.4 | 2.80 | | | GFA159R99
GFAF159R99
GF159R99
GFF159R99 | 4P | 18 | 775 | 79.76 | | | 10 | 1.00 | 21 | 658 | 67.65 | 11 | 1.20 | | | GFA79
GFAF79
GF79
GFF79 | 4P | 82 | 166 | 17.03 | | | 3.2 | 1.15 | GFA39
GFAF39
GF39
GFF39 | 4P | | | 23 | 594 | 61.07 | 11 | 1.30 | | | 26 | 522 | 53.73 | 12 | 1.50 | GFA79
GFAF79
GF79
GFF79 | 4P | 98 | 139 | | | 14.33 | 3.2 | 1.35 | GFA159R99
GFAF159R99
GF159R99
GFF159R99 | 4P | | | 28 | 493 | 50.74 | 12 | | 1.60 | | 32 | 420 | 43.20 | 12 | | 1.85 | | GFA79
GFAF79
GF79
GFF79 | 4P | 109 | 125 | 12.87 | 3.1 | 1.55 | GFA159R99
GFAF159R99
GF159R99
GFF159R99 | | | 4P | 36 | 382 | 39.26 | 12 | | | 1.95 | 39 | 353 | 36.30 | | 12 | | 2.20 | GFA79
GFAF79
GF79
GFF79 | 4P | 126 | | | 108 | 11.08 | 3.1 | 1.70 | GFA159R99
GFAF159R99
GF159R99
GFF159R99 | 4P | 44 | 312 | 32.08 | | | 12 | 2.50 | 51 | 266 | 27.41 | | | 12 | 2.90 | GFA79
GFAF79
GF79
GFF79 | 4P | | 134 | | 101 | 10.42 | 3.1 | 1.75 | | | GFA159R99
GFAF159R99
GF159R99
GFF159R99 | 4P | 56 | 244 | 25.13 | 12 | 3.20 | 24 | 573 | | | 58.97 | 8.7 | 1.00 | GFA79
GFAF79
GF79
GFF79 | 4P | | | 156 | 87 | 8.97 | 3.0 | | 1.90 | | GFA159R99
GFAF159R99
GF159R99
GFF159R99 | 4P | 28 | 487 | | | 50.10 | 9.4 | 1.20 | 31 | 435 | 44.73 | 9.5 | 1.30 | GFA79
GFAF79
GF79
GFF79 | | | 4P | 174 | 78 | 8.03 | 2.9 | | | 2.10 | GFA159R99
GFAF159R99
GF159R99
GFF159R99 | 4P | 37
 | | 371 | | 38.21 | 9.3 | 1.55 | 39 | | | 348 | 35.79 | 9.1 | 1.65 | GFA79
GFAF79
GF79
GFF79 | 4P | 0.99 | 19107 | 1441 | | | 93 | 0.95 | GFA159R99
GFAF159R99
GF159R99
GFF159R99 | 4P | 46 | | | 293 | 30.15 | 8.8 | 1.95 | | 5.0 | | 3779 | 285 | 30 | 1.15 | | | GFA159R99
GFAF159R99
GF159R99
GFF159R99 | 4P | 1.1 | 17344 | 1308 | 96 | 1.05 | GFA129R79
GFAF129R79
GF129R79
GFF129R79 | 4P | | | 5.8 | 3249 | 245 | 31 | 1.30 | | | 1.2 | 15501 | 1169 | 101 | | 1.15 | | GFA159R99
GFAF159R99
GF159R99
GFF159R99 | 4P | 1.5 | 12637 | | | 953 | 107 | 1.40 | GFA129R79
GFAF129R79
GF129R79
GFF129R79 | 4P | 1.7 | 11205 | 845 | 110 | | | 1.60 | 1.9 | 10130 | 764 | 111 | | | 1.75 | GFA159R99
GFAF159R99
GF159R99
GFF159R99 | 4P | 1.7 | | 10860 | | 819 | 86 | 1.10 | GFA109R79
GFAF109R79
GF109R79
GFF109R79 | | | 4P | 2.1 | 9017 | 680 | 113 | 1.95 | 2.5 | 7638 | 576 | | | 114 | 2.30 | GFA159R99
GFAF159R99
GF159R99
GFF159R99 | 4P | 2.0 | | | 9627 | 726 | 86 | 1.25 | | GFA129R79
GFAF129R79
GF129R79
GFF129R79 | | 4P | 3.2 | 5914 | 446 | | | 114 | 3.00 | 4.7 | 4004 | 302 | 114 | 4.40 | GFA159R99
GFAF159R99
GF159R99
GFF159R99 | 4P | | | 2.2 | 8579 | 647 | 86 | 1.40 | | | GFA109R79
GFAF109R79
GF109R79
GFF109R79 | 4P | 5.2 | 3620 | | 273 | | 114 | 4.85 | 6.2 | 3076 | | | 232 | 114 | 5.70 | GFA159R99
GFAF159R99
GF159R99
GFF159R99 | 4P | 2.6 | 7266 | 548 | 86 | | | 1.65 | GFA109R79
GFAF109R79
GF109R79
GFF109R79 | 4P | 7.3 | 2612
 | | | 197 | 114 | 6.90 | 1.3 | | 14254 | | 1075 | 81 | 0.85 | GFA159R99
GFAF159R99
GF159R99
GFF159R99 | | | 4P | 2.9 | 6550 | 494 | 86 | 1.80 | GFA109R79
GFAF109R79
GF109R79
GFF109R79 | 4P | 1.5 | | | 12318 | 929 | 85 | 1.00 | 1.7 | | | 10860 | 819 | 86 | 1.10 | | GFA159R99
GFAF159R99
GF159R99
GFF159R99 | | 4P | 3.3 | 5675 | 428 | | | 86 | 2.10 | GFA109R79
GFAF109R79
GF109R79
GFF109R79 | 4P | 2.0 | 9627 | 726 | 86 | 1.25 | | | 2.2 | 8579 | 647 | 86 | 1.40 | | | GFA159R99
GFAF159R99
GF159R99
GFF159R99 | 4P | 2.2 | 8486 | | 640 | | 45 | 0.90 | GFA99R59
GFAF99R59
GF99R59
GFF99R59 | 4P | | | 2.6 | 7266 | 548 | 86 | 1.65 | 2.9 | 6550 | 494 | 86 | | | 1.80 | GFA159R99
GFAF159R99
GF159R99
GFF159R99 | 4P | 2.6 | 7425 | | | 560 | 48 | 1.05 | GFA109R79
GFAF109R79
GF109R79
GFF109R79 | | 4P | | 3.3 | 5675 | 428 | 86 | | | 2.10 | 3.3 | 5781 | 436 | 51 | 1.35 | GFA159R99
GFAF159R99
GF159R99
GFF159R99 | 4P | 2.9 | | | 6484 | 489 | 50 | 1.20 | GFA109R79
GFAF109R79
GF109R79
GFF109R79 | | | 4P | 3.9 | 4906 | 370 | | 53 | | 1.60 | 4.3 | 4416 | 333 | | | 54 | 1.75 | GFA159R99
GFAF159R99
GF159R99
GFF159R99 | 4P | 3.9 | 4906 | 370 | 53 | 1.60 | | | GFA109R79
GFAF109R79
GF109R79
GFF109R79 | 4P | 5.0 | 3779 | 285 | | | 30 | 1.15 | 5.8 | 3249 | | 245 | | 31 | 1.30 | GFA159R99
GFAF159R99
GF159R99
GFF159R99 | 4P | | | 4.3 | 4416
 | 333 | 54 | 1.75 | GFA99R59
GFAF99R59
GF99R59
GFF99R59 | 4P | | | | | | | | | | | | | | | | | | | | | | | | | | | | | | | | | | | | | | | | | | | | | | | | | | | | | | | | | | | | | | | | | | | | | | | | | | | | | | | | | | | | | | | | | | | | | | | | | | | | | | | | | | | | | | | | | | | | | | | | | | | | | | | | | | | | | | | | | | | | | | | | | | | | | | | | | | | | | | | | | | | | | | | | | | | | | | | | | | | | | | | | | | | | | | | | | | | | | | | | | | | | | | | | | | | | | | | | | | | | |
 | | | | | | | | | | | | | | | | | | | | | | | | | | | | | | | | | | | | | | | | | | | | | | | | | | | | | | | | | | | | | | | | | | | | | | | | | | | | | | | | | | | | | | | | | | | | | | | | | | | | | | | | | | | | | | | | | | | | | | | | | | | | | | | | | | | | | | | | | | | | | | | | | | | | | | | | | | | | | | | | | | | | | | | | | | | | | | | | | | | | | | | | | | | | | | | | | | | | | | | | | | | | | | | | | | | | | | | | | | | | | | | | | |
 | | | | | | | | | | | | | | | | | | | | | | | | | | | | | | | | | | | | | | | | | | |
| 15 | 881 | 90.59 | 8.8 | 0.90 | GFA79
GFAF79
GF79
GFF79 | 4P | | | 86 | 135 | 13.93 | 5.4 | 2.80 | | | GFA159R99
GFAF159R99
GF159R99
GFF159R99 | 4P | | | | | | | | | | | | | | | | | | | | | | | | | | | | | | | | | | | | | | | | | | | | | | | | | | | | | | | | | | | | | | | | | | | | | | | | | | | | | | | | | | | | | | | | | | | | | | | | | | | | | | | | | | | | | | | | | | | | | | | | | | | | | | | | | | | | | | | | | | | | | | | | | | | | | | | | | | | | | | | | | | | | | | | | | | | | | | | | | | | | | | | | | | | | | | | | | | |
 | | | | | | | | | | | | | | | | | | | | | | | | | | | | | | | | | | | | | | | | | | | | | | | | | | | | | | | | | | | | | | | | | | | | | | | | | | | | | | | | | | | | | | | | | | | | | | | | | | | | | | | | | | | | | | | | | | | | | | | | | | | | | | | | | | | | | | | | | | | | | | | | | | | | | | | | | | | | | | | | | | | | | | | | | | | | | | | | | | | |
 | | | | | | | | | | | | | | | | | | | | | | | | | | | | | | | | | | | | | | | | | | | | | | | | | | | | | | | | | | | | | | | | | | | | | | | | | | | | | | | | | | | | | | | | | | | | | | | | | | | | | | | | | | | | | | | | | | | | | | | | | | | | | | | | | | | | | | | | | | | | | | | | | | | | | | | | | | | | | | | | | | | | | | | | | | | |
 | | | | | | | | | | | | | | | | | | | | | | | | | | | | | | | | | | | | | | | | | | | | | | | | | | | | | | | | | | | | | | | | | | | | | | | | | | | | | | | | | | | | | | | | | | | | | | | | | | | | | | | | | | | | | | | | | | | | | | | | | | | | | | | | | | | | | | | | | | | | | | | | | | | | | | | | | | | | | | | | | | | | | | | | | | | |
 | | | | | | | | | | | | | | | | | | | | | | | | | | | | | | | | | | | | | | | | | | | | | | | | | | | | | | | | | | | | | | | | | | | | | | | | | | | | | | | | | | | | | | | | | | | | | | | | | | | | | | | | | | | | | | | | | | | | | | | | | | | | | | | | | | | | | | | | | | | | | | | | | | | | | | | | | | | | | | | | | | | | | | | | | | | | | | | | | | | | | | | | | | | | | | | | | | | | | | | | | | | | | | | | | | | | | | | | | | | | | | | | | |
 | | | | | | | | | | | | | | | | | | | | | | | | | | | | | | | | | | | | | | | | | | |
| 18 | 775 | 79.76 | 10 | 1.00 | | | | | 21 | 658 | 67.65 | 11 | 1.20 | | | | | | | | | GFA79
GFAF79
GF79
GFF79 | 4P | 82 | 166 | 17.03 | 3.2 | 1.15 | | | | | GFA39
GFAF39
GF39
GFF39 | 4P | 23 | 594 | 61.07 | 11 | 1.30 | 26 | 522 | 53.73 | 12 | 1.50 | | | | | GFA79
GFAF79
GF79
GFF79 | 4P | 98 | 139 | 14.33 | 3.2 | 1.35 | | | | | GFA159R99
GFAF159R99
GF159R99
GFF159R99 | 4P | 28 | 493 | 50.74 | 12 | 1.60 | 32 | 420 | 43.20 | 12 | 1.85 | | | GFA79
GFAF79
GF79
GFF79 | 4P | | | 109 | 125 | 12.87 | | | 3.1 | 1.55 | GFA159R99
GFAF159R99
GF159R99
GFF159R99 | 4P | 36 | 382 | | 39.26 | | 12 | 1.95 | 39 | 353 | 36.30 | 12 | 2.20 | | | GFA79
GFAF79
GF79
GFF79 | 4P | 126 | 108 | 11.08 | | | | | 3.1 | 1.70 | GFA159R99
GFAF159R99
GF159R99
GFF159R99 | 4P | 44 | 312 | 32.08 | 12 | 2.50 | 51 | | 266 | | 27.41 | | | 12 | 2.90 | GFA79
GFAF79
GF79
GFF79 | 4P | 134 | 101 | 10.42 | | | 3.1 | 1.75 | GFA159R99
GFAF159R99
GF159R99
GFF159R99 | | | 4P | 56 | 244 | 25.13 | 12 | 3.20 | 24 | 573 | 58.97 | | | | 8.7 | | 1.00 | GFA79
GFAF79
GF79
GFF79 | 4P | 156 | 87 | 8.97 | | | 3.0 | 1.90 | GFA159R99
GFAF159R99
GF159R99
GFF159R99 | 4P | 28 | 487 | 50.10 | | | 9.4 | 1.20 | 31 | | | 435 | 44.73 | 9.5 | 1.30 | GFA79
GFAF79
GF79
GFF79 | 4P | | 174 | | | | 78 | 8.03 | 2.9 | 2.10 | GFA159R99
GFAF159R99
GF159R99
GFF159R99 | 4P | 37 | 371 | 38.21 | 9.3 | 1.55 | 39 | | | | | 348 | 35.79 | 9.1 | 1.65 | GFA79
GFAF79
GF79
GFF79 | 4P | 0.99 | | | 19107
 | | 1441 | | 93 | 0.95 | GFA159R99
GFAF159R99
GF159R99
GFF159R99 | 4P | 46 | 293 | 30.15 | 8.8 | 1.95 | 5.0 | | | 3779 | 285 | 30 | | | 1.15 | GFA159R99
GFAF159R99
GF159R99
GFF159R99 | | | 4P | 1.1 | 17344 | 1308 | 96 | 1.05 | GFA129R79
GFAF129R79
GF129R79
GFF129R79 | | 4P | | 5.8 | 3249 | 245 | 31 | 1.30 | 1.2 | | | 15501 | 1169 | 101 | 1.15 | GFA159R99
GFAF159R99
GF159R99
GFF159R99 | | | | | 4P | 1.5 | 12637 | 953 | 107 | 1.40 | GFA129R79
GFAF129R79
GF129R79
GFF129R79 | 4P | 1.7 | 11205 | 845 | | 110 | | | | 1.60 | 1.9 | 10130 | 764 | 111 | 1.75 | GFA159R99
GFAF159R99
GF159R99
GFF159R99 | | | 4P | 1.7 | 10860 | 819 | | | 86 | 1.10 | GFA109R79
GFAF109R79
GF109R79
GFF109R79 | 4P | 2.1 | 9017 | 680 | 113 | | | 1.95 | | 2.5 | | 7638 | 576 | 114 | | 2.30 | GFA159R99
GFAF159R99
GF159R99
GFF159R99 | | 4P | 2.0 | 9627 | 726 | 86 | 1.25 | GFA129R79
GFAF129R79
GF129R79
GFF129R79 | 4P | | | 3.2 | 5914 | | | 446 | 114 | 3.00 | 4.7 | 4004 | 302 | 114 | | | | | 4.40 | GFA159R99
GFAF159R99
GF159R99
GFF159R99 | 4P | 2.2 | 8579 | 647 | 86 | 1.40 | GFA109R79
GFAF109R79
GF109R79
GFF109R79 | 4P | 5.2 | 3620 | | | | | 273 | 114 | 4.85 | 6.2 | 3076 | 232 | 114 | | | 5.70 | GFA159R99
GFAF159R99
GF159R99
GFF159R99 | | 4P | | 2.6 | 7266 | 548 | 86 | 1.65 | GFA109R79
GFAF109R79
GF109R79
GFF109R79 | 4P | 7.3 | 2612 | | | 197 | 114 | 6.90 | 1.3 | | | 14254 | | | 1075 | 81
 | 0.85 | GFA159R99
GFAF159R99
GF159R99
GFF159R99 | 4P | 2.9 | 6550 | 494 | | 86 | | 1.80 | GFA109R79
GFAF109R79
GF109R79
GFF109R79 | 4P | | 1.5 | 12318 | | 929 | 85 | 1.00 | 1.7 | 10860 | | | 819 | | | 86 | 1.10 | GFA159R99
GFAF159R99
GF159R99
GFF159R99 | 4P | 3.3 | 5675 | 428 | 86 | 2.10 | GFA109R79
GFAF109R79
GF109R79
GFF109R79 | 4P | | | | | 2.0 | 9627 | 726 | 86 | 1.25 | 2.2 | 8579 | | | 647 | 86 | 1.40 | GFA159R99
GFAF159R99
GF159R99
GFF159R99 | 4P | | | 2.2 | 8486 | 640 | 45 | 0.90 | GFA99R59
GFAF99R59
GF99R59
GFF99R59 | 4P | | | 2.6 | 7266 | | 548 | | 86 | 1.65 | | | 2.9 | 6550 | 494 | 86 | 1.80 | GFA159R99
GFAF159R99
GF159R99
GFF159R99 | 4P | 2.6 | 7425 | 560 | 48 | | | 1.05 | | | GFA109R79
GFAF109R79
GF109R79
GFF109R79 | 4P | 3.3 | 5675 | 428 | 86 | 2.10 | | | | | 3.3 | 5781 | 436 | 51 | 1.35 | GFA159R99
GFAF159R99
GF159R99
GFF159R99 | 4P | 2.9 | 6484 | 489 | 50 | 1.20 | | | GFA109R79
GFAF109R79
GF109R79
GFF109R79 | | | 4P | 3.9 | 4906 | 370 | | 53 | 1.60 | | 4.3 | 4416 | 333 | | 54 | | 1.75 | GFA159R99
GFAF159R99
GF159R99
GFF159R99 | 4P | 3.9 | 4906 | 370 | 53 | 1.60 | | | GFA109R79
GFAF109R79
GF109R79
GFF109R79 | 4P | 5.0 | 3779 | 285 | | | | | 30 | 1.15 | 5.8 | 3249 | 245 | 31 | 1.30 | GFA159R99
GFAF159R99
GF159R99
GFF159R99 | 4P | | 4.3 | | 4416 | 333 | | | 54 | 1.75 | GFA99R59
GFAF99R59
GF99R59
GFF99R59 |
4P | | | | | | | | | | | | | | | | | | | | | | | | | | | | | | | | | | | | | | | | | | | | | | | | | | | | | | | | | | | | | | | | | | | | | | | | | | | | | | | | | | | | | | | | | | | | | | | | | | | | | | | | | | | | | | | | | | | | | | | | | | | | | | | | | | | | | | | | | | | | | | | | | | | | | | | | | | | | | | | | | | | | | | | | | | | |
 | | | | | | | | | | | | | | | | | | | | | | | | | | | | | | | | | | | | | | | | | | | | | | | | | | | | | | | | | | | | | | | | | | | | | | | | | | | | | | | | | | | | | | | | | | | | | | | | | | | | | | | | | | | | | | | | | | | | | | | | | | | | | | | | | | | | | | | | | | | | | | | | | | | | | | | | | | | | | | | | | | | | | | | | | | | | | | | | | | | | | | | | | | | | | | | | | | | | | | | | | | | | | | | | | | | | | | | | | | | | | | | | | |
 | | | | | | | | | | | | | | | | | | | | | | | | | | | | | | | | | | | | | | | | | | |
| 21 | 658 | 67.65 | 11 | 1.20 | | | | | GFA79
GFAF79
GF79
GFF79 | 4P | 82 | 166 | 17.03 | 3.2 | 1.15 | | | | | | | | | GFA39
GFAF39
GF39
GFF39 | 4P | | | | | | | | | | | | | | | | | | | | | | | | | | | | | | | | | | | | | | | | | | | | | | | | | | | | | | | | | | | | | | | | | | | | | | | | | | | | | | | | | | | | | | | | | | | | | | | | | | | | | | | | | | | | | | | | | | | | | | | | | | | | | | | | | | | | | | | | | | | | | | | | | | | | | | | | | | | | | | | | | | | | | | | | | | | | | | | | | | | | | | | | | | |
 | | | | | | | | | | | | | | | | | | | | | | | | | | | | | | | | | | | | | | | | | | | | | | | | | | | | | | | | | | | | | | | | | | | | | | | | | | | | | | | | | | | | | | | | | | | | | | | | | | | | | | | | | | | | | | | | | | | | | | | | | | | | | | | | | | | | | | | | | | | | | | | | | | | | | | | | | | | | | | | | | | | | | | | | | | | | | | | | | | | |
 | | | | | | | | | | | | | | | | | | | | | | | | | | | | | | | | | | | | | | | | | | | | | | | | | | | | | | | | | | | | | | | | | | | | | | | | | | | | | | | | | | | | | | | | | | | | | | | | | | | | | | | | | | | | | | | | | | | | | | | | | | | | | | | | | | | | | | | | | | | | | | | | | | | | | | | | | | | | | | | | | | | | | | | | | | | |
 | | | | | | | | | | | | | | | | | | | | | | | | | | | | | | | | | | | | | | | | | | | | | | | | | | | | | | | | | | | | | | | | | | | | | | | | | | | | | | | | | | | | | | | | | | | | | | | | | | | | | | | | | | | | | | | | | | | | | | | | | | | | | | | | | | | | | | | | | | | | | | | | | | | | | | | | | | | | | | | | | | | | | | | | | | | |
 | | | | | | | | | | | | | | | | | | | | | | | | | | | | | | | | | | | | | | | | | | | | | | | | | | | | | | | | | | | | | | | | | | | | | | | | | | | | | | | | | | | | | | | | | | | | | | | | | | | | | | | | | | | | | | | | | | | | | | | | | | | | | | | | | | | | | | | | | | | | | | | | | | | | | | | | | | | | | | | | | | | | | | | | | | | | | | | | | | | | | | | | | | | | | | | | | | | | | | | | | | | | | | | | | | | | | | | | | | | | | | | | | |
 | | | | | | | | | | | | | | | | | | | | | | | | | | | | | | | | | | | | | | | | | | |
| 23 | 594 | 61.07 | 11 | 1.30 | | | 26 | 522 | | | 53.73 | 12 | 1.50 | GFA79
GFAF79
GF79
GFF79 | 4P | | | | | 98 | 139 | | | | | 14.33 | 3.2 | 1.35 | GFA159R99
GFAF159R99
GF159R99
GFF159R99 | 4P | | | | | 28 | 493 | 50.74 | 12 | 1.60 | 32 | 420 | 43.20 | 12 | 1.85 | GFA79
GFAF79
GF79
GFF79 | 4P | | | | | 109 | 125 | 12.87 | 3.1 | 1.55 | | | GFA159R99
GFAF159R99
GF159R99
GFF159R99 | 4P | | | 36 | 382 | 39.26 | 12 | 1.95 | 39 | 353 | 36.30 | 12 | 2.20 | | | | | GFA79
GFAF79
GF79
GFF79 | 4P | 126 | 108 | 11.08 | | | 3.1 | 1.70 | | | GFA159R99
GFAF159R99
GF159R99
GFF159R99 | 4P | 44 | 312 | 32.08 | 12 | 2.50 | 51 | 266 | 27.41 | 12 | 2.90 | | | | | GFA79
GFAF79
GF79
GFF79 | 4P | 134 | | 101 | 10.42 | | 3.1 | 1.75 | | | GFA159R99
GFAF159R99
GF159R99
GFF159R99 | 4P | 56 | 244 | 25.13 | 12 | 3.20 | 24 | 573 | 58.97 | | | 8.7 | 1.00 | | | GFA79
GFAF79
GF79
GFF79 | 4P | 156 | | | 87 | 8.97 | | 3.0 | 1.90 | | GFA159R99
GFAF159R99
GF159R99
GFF159R99 | 4P | 28 | 487 | 50.10 | 9.4 | 1.20 | 31 | | | 435 | 44.73 | 9.5 | 1.30 | | | GFA79
GFAF79
GF79
GFF79 | 4P | 174 | | | 78 | 8.03 | | | 2.9 | 2.10 | GFA159R99
GFAF159R99
GF159R99
GFF159R99 | 4P | 37 | 371 | 38.21 | 9.3 | | | 1.55 | 39 | 348 | 35.79 | | | 9.1 | 1.65 | GFA79
GFAF79
GF79
GFF79 | | | 4P | 0.99 | 19107 | 1441 | | | 93 | 0.95 | GFA159R99
GFAF159R99
GF159R99
GFF159R99 | 4P | 46 | 293 | | 30.15 | 8.8 | | 1.95 | 5.0 | 3779 | 285 | | | 30 | | | 1.15
 | GFA159R99
GFAF159R99
GF159R99
GFF159R99 | 4P | 1.1 | 17344 | 1308 | | | 96 | 1.05 | GFA129R79
GFAF129R79
GF129R79
GFF129R79 | 4P | 5.8 | 3249 | | | 245 | 31 | 1.30 | 1.2 | 15501 | 1169 | | | | | 101 | 1.15 | GFA159R99
GFAF159R99
GF159R99
GFF159R99 | 4P | 1.5 | | 12637 | | 953 | 107 | 1.40 | GFA129R79
GFAF129R79
GF129R79
GFF129R79 | 4P | 1.7 | 11205 | | | 845 | 110 | 1.60 | 1.9 | | | | 10130 | 764 | | 111 | 1.75 | GFA159R99
GFAF159R99
GF159R99
GFF159R99 | 4P | 1.7 | | | 10860 | 819 | 86 | 1.10 | GFA109R79
GFAF109R79
GF109R79
GFF109R79 | 4P | | | 2.1 | 9017 | 680 | 113 | 1.95 | 2.5 | | | | | 7638 | 576 | 114 | 2.30 | GFA159R99
GFAF159R99
GF159R99
GFF159R99 | 4P | 2.0 | | | 9627 | 726 | 86 | 1.25 | | | GFA129R79
GFAF129R79
GF129R79
GFF129R79 | 4P | 3.2 | 5914 | 446 | 114 | 3.00 | | 4.7 | | | | 4004 | 302 | 114 | 4.40 | GFA159R99
GFAF159R99
GF159R99
GFF159R99 | | | 4P | 2.2 | 8579 | 647 | | | 86 | 1.40 | GFA109R79
GFAF109R79
GF109R79
GFF109R79 | 4P | 5.2 | 3620 | 273 | 114 | | 4.85 | | 6.2 | | | 3076 | 232 | 114 | 5.70 | GFA159R99
GFAF159R99
GF159R99
GFF159R99 | | | 4P | 2.6 | | | 7266 | 548 | 86 | 1.65 | GFA109R79
GFAF109R79
GF109R79
GFF109R79 | 4P | 7.3 | 2612 | 197 | | | 114 | | 6.90 | | 1.3 | 14254 | 1075 | 81 | 0.85 | GFA159R99
GFAF159R99
GF159R99
GFF159R99 | | | 4P | 2.9 | | | 6550 | 494 | 86 | 1.80 | GFA109R79
GFAF109R79
GF109R79
GFF109R79 | 4P | 1.5 | | | 12318 | 929
 | 85 | | | 1.00 | 1.7 | 10860 | 819 | 86 | 1.10 | GFA159R99
GFAF159R99
GF159R99
GFF159R99 | | | | 4P | 3.3 | | 5675 | 428 | 86 | 2.10 | GFA109R79
GFAF109R79
GF109R79
GFF109R79 | | | 4P | 2.0 | 9627 | 726 | 86 | | | 1.25 | 2.2 | 8579 | 647 | 86 | | | 1.40 | | GFA159R99
GFAF159R99
GF159R99
GFF159R99 | | 4P | 2.2 | 8486 | 640 | 45 | 0.90 | GFA99R59
GFAF99R59
GF99R59
GFF99R59 | | | 4P | 2.6 | 7266 | | | 548 | 86 | 1.65 | 2.9 | 6550 | 494 | 86 | | | | | 1.80 | GFA159R99
GFAF159R99
GF159R99
GFF159R99 | 4P | 2.6 | 7425 | 560 | 48 | | | 1.05 | GFA109R79
GFAF109R79
GF109R79
GFF109R79 | 4P | 3.3 | 5675 | | | 428 | 86 | 2.10 | 3.3 | 5781 | 436 | 51 | | | | | 1.35 | GFA159R99
GFAF159R99
GF159R99
GFF159R99 | 4P | 2.9 | 6484 | | 489 | | 50 | 1.20 | GFA109R79
GFAF109R79
GF109R79
GFF109R79 | 4P | 3.9 | 4906 | | | 370 | 53 | 1.60 | 4.3 | 4416 | | | | 333 | 54 | | 1.75 | GFA159R99
GFAF159R99
GF159R99
GFF159R99 | 4P | | 3.9 | 4906 | | 370 | 53 | 1.60 | GFA109R79
GFAF109R79
GF109R79
GFF109R79 | 4P | 5.0 | 3779 | | | 285 | 30 | 1.15 | 5.8 | 3249 | | | | | 245 | 31 | 1.30 | GFA159R99
GFAF159R99
GF159R99
GFF159R99 | 4P | | | 4.3 | 4416 | 333 | 54 | 1.75 | GFA99R59
GFAF99R59
GF99R59
GFF99R59 | 4P | | | | | | | | | | | | | | | | | | | | | | | | | | | | | | | | | | | | | | | | | | | | | | | | | | | | | | | | | | | | | | | | | | |
 | | | | | | | | | | | | | | | | | | | | | | | | | | | | | | | | | | | | | | | | | | | | | | | | | | | | | | | | | | | | | | | | | | | | | | | | | | | | | | | | | | | | | | | | | | | | | | | | | | | | | | | | | | | | | | | | | | | | | | | | | | | | | | | | | | | | | | | | | | | | | | | | | | | | | | | | | | | | | | | | | | | | | | | | | | | |
 | | | | | | | | | | | | | | | | | | | | | | | | | | | | | | | | | | | | | | | | | | | | | | | | | | | | | | | | | | | | | | | | | | | | | | | | | | | | | | | | | | | | | | | | | | | | | | | | | | | | | | | | | | | | | | | | | | | | | | | | | | | | | | | | | | | | | | | | | | | | | | | | | | | | | | | | | | | | | | | | | | | | | | | | | | | | | | | | | | | | | | | | | | | | | | | | | | | | | | | | | | | | | | | | | | | | | | | | | | | | | | | | | |
 | | | | | | | | | | | | | | | | | | | | | | | | | | | | | | | | | | | | | | | | | | |
| 26 | 522 | 53.73 | 12 | 1.50 | | | GFA79
GFAF79
GF79
GFF79 | 4P | | | 98 | 139 | 14.33 | | | | | 3.2 | 1.35 | GFA159R99
GFAF159R99
GF159R99
GFF159R99 | 4P | | | | | | | | | | | | | | | | | | | | | | | | | | | | | | | | | | | | | | | | | | | | | | | | | | | | | | | | | | | | | | | | | | | | | | | | | | | | | | | | | | | | | | | | | | | | | | | | | | | | | | | | | | | | | | | | | | | | | | | | | | | | | | | | | | | | | | | | | | | | | | | | | | | | | | | | | | | | | | | | | | | | | | | | | | | | | | | | | | | | | | | | | | | | | | |
 | | | | | | | | | | | | | | | | | | | | | | | | | | | | | | | | | | | | | | | | | | | | | | | | | | | | | | | | | | | | | | | | | | | | | | | | | | | | | | | | | | | | | | | | | | | | | | | | | | | | | | | | | | | | | | | | | | | | | | | | | | | | | | | | | | | | | | | | | | | | | | | | | | | | | | | | | | | | | | | | | | | | | | | | | | | | | | | | | | | |
 | | | | | | | | | | | | | | | | | | | | | | | | | | | | | | | | | | | | | | | | | | | | | | | | | | | | | | | | | | | | | | | | | | | | | | | | | | | | | | | | | | | | | | | | | | | | | | | | | | | | | | | | | | | | | | | | | | | | | | | | | | | | | | | | | | | | | | | | | | | | | | | | | | | | | | | | | | | | | | | | | | | | | | | | | | | |
 | | | | | | | | | | | | | | | | | | | | | | | | | | | | | | | | | | | | | | | | | | | | | | | | | | | | | | | | | | | | | | | | | | | | | | | | | | | | | | | | | | | | | | | | | | | | | | | | | | | | | | | | | | | | | | | | | | | | | | | | | | | | | | | | | | | | | | | | | | | | | | | | | | | | | | | | | | | | | | | | | | | | | | | | | | | |
 | | | | | | | | | | | | | | | | | | | | | | | | | | | | | | | | | | | | | | | | | | | | | | | | | | | | | | | | | | | | | | | | | | | | | | | | | | | | | | | | | | | | | | | | | | | | | | | | | | | | | | | | | | | | | | | | | | | | | | | | | | | | | | | | | | | | | | | | | | | | | | | | | | | | | | | | | | | | | | | | | | | | | | | | | | | | | | | | | | | | | | | | | | | | | | | | | | | | | | | | | | | | | | | | | | | | | | | | | | | | | | | | | |
 | | | | | | | | | | | | | | | | | | | | | | | | | | | | | | | | | | | | | | | | | | |
| 28 | 493 | 50.74 | 12 | 1.60 | 32 | 420 | | | | | 43.20 | 12 | 1.85 | | | GFA79
GFAF79
GF79
GFF79 | 4P | 109 | 125 | | | | | | | 12.87 | 3.1 | 1.55 | | | GFA159R99
GFAF159R99
GF159R99
GFF159R99 | 4P | | | 36 | 382 | 39.26 | 12 | 1.95 | 39 | 353 | 36.30 | 12 | 2.20 | | | GFA79
GFAF79
GF79
GFF79 | 4P | | | 126 | 108 | 11.08 | 3.1 | 1.70 | GFA159R99
GFAF159R99
GF159R99
GFF159R99 | 4P | | | | | 44 | 312 | 32.08 | 12 | 2.50 | 51 | 266 | 27.41 | 12 | 2.90 | GFA79
GFAF79
GF79
GFF79 | 4P | | | | | 134 | 101 | 10.42 | 3.1 | 1.75 | GFA159R99
GFAF159R99
GF159R99
GFF159R99 | 4P | | | | | 56 | 244 | 25.13 | 12 | 3.20 | 24 | 573 | 58.97 | 8.7 | 1.00 | GFA79
GFAF79
GF79
GFF79 | 4P | | | | | 156 | 87 | 8.97 | 3.0 | 1.90 | GFA159R99
GFAF159R99
GF159R99
GFF159R99 | 4P | | | | | 28 | 487 | 50.10 | 9.4 | 1.20 | 31 | 435 | 44.73 | 9.5 | 1.30 | GFA79
GFAF79
GF79
GFF79 | 4P | | | | | 174 | 78 | 8.03 | 2.9 | 2.10 | | GFA159R99
GFAF159R99
GF159R99
GFF159R99 | 4P | | | | 37 | 371 | 38.21 | 9.3 | 1.55 | 39 | 348 | 35.79 | 9.1 | 1.65 | GFA79
GFAF79
GF79
GFF79 | 4P | | | | | 0.99 | 19107 | 1441 | 93 | 0.95 | | | GFA159R99
GFAF159R99
GF159R99
GFF159R99 | 4P | | | 46 | 293 | 30.15 | 8.8 | 1.95 | 5.0 | 3779 | 285 | 30 | 1.15 | | | GFA159R99
GFAF159R99
GF159R99
GFF159R99 | 4P | | 1.1 | 17344 | | 1308 | 96 | 1.05 | | | GFA129R79
GFAF129R79
GF129R79
GFF129R79 | 4P | | | 5.8 | 3249 | 245 | 31 | 1.30 | 1.2 | 15501 | 1169 | 101 | 1.15 | | | GFA159R99
GFAF159R99
GF159R99
GFF159R99 | 4P | 1.5 | 12637
 | | | 953 | 107 | 1.40 | | | GFA129R79
GFAF129R79
GF129R79
GFF129R79 | 4P | | | 1.7 | 11205 | 845 | 110 | 1.60 | 1.9 | 10130 | 764 | 111 | 1.75 | | GFA159R99
GFAF159R99
GF159R99
GFF159R99 | 4P | | 1.7 | 10860 | | | 819 | | 86 | | 1.10 | GFA109R79
GFAF109R79
GF109R79
GFF109R79 | 4P | | | 2.1 | 9017 | 680 | 113 | 1.95 | 2.5 | 7638 | 576 | | 114 | 2.30 | GFA159R99
GFAF159R99
GF159R99
GFF159R99 | 4P | | 2.0 | 9627 | | | 726 | | | 86 | 1.25 | GFA129R79
GFAF129R79
GF129R79
GFF129R79 | 4P | | | 3.2 | 5914 | 446 | 114 | 3.00 | 4.7 | 4004 | 302 | | 114 | 4.40 | | GFA159R99
GFAF159R99
GF159R99
GFF159R99 | 4P | 2.2 | 8579 | | | 647 | | | 86 | 1.40 | GFA109R79
GFAF109R79
GF109R79
GFF109R79 | 4P | 5.2 | 3620 | | | 273 | 114 | 4.85 | 6.2 | 3076 | 232 | 114 | | 5.70 | | GFA159R99
GFAF159R99
GF159R99
GFF159R99 | 4P | 2.6 | 7266 | | | | | 548 | 86 | 1.65 | GFA109R79
GFAF109R79
GF109R79
GFF109R79 | 4P | 7.3 | 2612 | | | 197 | 114 | 6.90 | 1.3 | 14254 | 1075 | 81 | 0.85 | | | GFA159R99
GFAF159R99
GF159R99
GFF159R99 | 4P | 2.9 | 6550 | | | | | 494 | 86 | 1.80 | GFA109R79
GFAF109R79
GF109R79
GFF109R79 | 4P | 1.5 | 12318 | | | 929 | 85 | 1.00 | 1.7 | 10860 | 819 | | 86 | | 1.10 | GFA159R99
GFAF159R99
GF159R99
GFF159R99 | 4P | 3.3 | 5675 | | | | | 428 | 86 | 2.10 | GFA109R79
GFAF109R79
GF109R79
GFF109R79 | 4P | 2.0 | 9627 | | | 726 | 86 | 1.25 | 2.2 | 8579
 | 647 | | | 86 | 1.40 | GFA159R99
GFAF159R99
GF159R99
GFF159R99 | 4P | 2.2 | 8486 | | | | 640 | | 45 | 0.90 | GFA99R59
GFAF99R59
GF99R59
GFF99R59 | 4P | 2.6 | 7266 | | 548 | 86 | | 1.65 | 2.9 | 6550 | 494 | | | 86 | 1.80 | GFA159R99
GFAF159R99
GF159R99
GFF159R99 | 4P | 2.6 | | | 7425 | 560 | | 48 | | 1.05 | GFA109R79
GFAF109R79
GF109R79
GFF109R79 | 4P | 3.3 | 5675 | | 428 | 86 | | 2.10 | 3.3 | | | 5781 | 436 | 51 | 1.35 | GFA159R99
GFAF159R99
GF159R99
GFF159R99 | 4P | 2.9 | | | 6484 | 489 | 50 | | | 1.20 | GFA109R79
GFAF109R79
GF109R79
GFF109R79 | 4P | 3.9 | 4906 | 370 | 53 | | | 1.60 | 4.3 | | | 4416 | 333 | 54 | 1.75 | GFA159R99
GFAF159R99
GF159R99
GFF159R99 | 4P | 3.9 | 4906 | 370 | | | 53 | | | 1.60 | GFA109R79
GFAF109R79
GF109R79
GFF109R79 | 4P | 5.0 | 3779 | 285 | 30 | | | 1.15 | 5.8 | | | 3249 | 245 | 31 | 1.30 | GFA159R99
GFAF159R99
GF159R99
GFF159R99 | 4P | 4.3 | | 4416 | 333 | | 54 | | | 1.75 | GFA99R59
GFAF99R59
GF99R59
GFF99R59 | 4P | | | | | | | | | | | | | | | | | | | | | | | | | | | | | | | | | | | | | | | | | | | | | | | | | | | | | | | | | | | | | | | | | | | | | | | | | | | | | | | | | | | | | | | | | | | | | | | | | | | |
 | | | | | | | | | | | | | | | | | | | | | | | | | | | | | | | | | | | | | | | | | | | | | | | | | | | | | | | | | | | | | | | | | | | | | | | | | | | | | | | | | | | | | | | | | | | | | | | | | | | | | | | | | | | | | | | | | | | | | | | | | | | | | | | | | | | | | | | | | | | | | | | | | | | | | | | | | | | | | | | | | | | | | | | | | | | |
 | | | | | | | | | | | | | | | | | | | | | | | | | | | | | | | | | | | | | | | | | | | | | | | | | | | | | | | | | | | | | | | | | | | | | | | | | | | | | | | | | | | | | | | | | | | | | | | | | | | | | | | | | | | | | | | | | | | | | | | | | | | | | | | | | | | | | | | | | | | | | | | | | | | | | | | | | | | | | | | | | | | | | | | | | | | | | | | | | | | | | | | | | | | | | | | | | | | | | | | | | | | | | | | | | | | | | | | | | | | | | | | | | |
 | | | | | | | | | | | | | | | | | | | | | | | | | | | | | | | | | | | | | | | | | | |
| 32 | 420 | 43.20 | 12 | 1.85 | GFA79
GFAF79
GF79
GFF79 | 4P | | | | | 109 | 125 | 12.87 | | | | | 3.1 | 1.55 | | | GFA159R99
GFAF159R99
GF159R99
GFF159R99 | 4P | | | | | | | | | | | | | | | | | | | | | | | | | | | | | | | | | | | | | | | | | | | | | | | | | | | | | | | | | | | | | | | | | | | | | | | | | | | | | | | | | | | | | | | | | | | | | | | | | | | | | | | | | | | | | | | | | | | | | | | | | | | | | | | | | | | | | | | | | | | | | | | | | | | | | | | | | | | | | | | | | | | | | | | | | | | | | | | | | | | | | | | | | | | | |
 | | | | | | | | | | | | | | | | | | | | | | | | | | | | | | | | | | | | | | | | | | | | | | | | | | | | | | | | | | | | | | | | | | | | | | | | | | | | | | | | | | | | | | | | | | | | | | | | | | | | | | | | | | | | | | | | | | | | | | | | | | | | | | | | | | | | | | | | | | | | | | | | | | | | | | | | | | | | | | | | | | | | | | | | | | | | | | | | | | | |
 | | | | | | | | | | | | | | | | | | | | | | | | | | | | | | | | | | | | | | | | | | | | | | | | | | | | | | | | | | | | | | | | | | | | | | | | | | | | | | | | | | | | | | | | | | | | | | | | | | | | | | | | | | | | | | | | | | | | | | | | | | | | | | | | | | | | | | | | | | | | | | | | | | | | | | | | | | | | | | | | | | | | | | | | | | | |
 | | | | | | | | | | | | | | | | | | | | | | | | | | | | | | | | | | | | | | | | | | | | | | | | | | | | | | | | | | | | | | | | | | | | | | | | | | | | | | | | | | | | | | | | | | | | | | | | | | | | | | | | | | | | | | | | | | | | | | | | | | | | | | | | | | | | | | | | | | | | | | | | | | | | | | | | | | | | | | | | | | | | | | | | | | | |
 | | | | | | | | | | | | | | | | | | | | | | | | | | | | | | | | | | | | | | | | | | | | | | | | | | | | | | | | | | | | | | | | | | | | | | | | | | | | | | | | | | | | | | | | | | | | | | | | | | | | | | | | | | | | | | | | | | | | | | | | | | | | | | | | | | | | | | | | | | | | | | | | | | | | | | | | | | | | | | | | | | | | | | | | | | | | | | | | | | | | | | | | | | | | | | | | | | | | | | | | | | | | | | | | | | | | | | | | | | | | | | | | | |
 | | | | | | | | | | | | | | | | | | | | | | | | | | | | | | | | | | | | | | | | | | |
| 36 | 382 | 39.26 | 12 | 1.95 | | | | | 39 | 353 | 36.30 | 12 | 2.20 | | | | | GFA79
GFAF79
GF79
GFF79 | 4P | | | | | 126 | 108 | 11.08 | 3.1 | 1.70 | | | | | GFA159R99
GFAF159R99
GF159R99
GFF159R99 | 4P | 44 | 312 | 32.08 | 12 | 2.50 | 51 | 266 | 27.41 | 12 | 2.90 | | | | | GFA79
GFAF79
GF79
GFF79 | 4P | 134 | 101 | 10.42 | 3.1 | 1.75 | | | | | GFA159R99
GFAF159R99
GF159R99
GFF159R99 | 4P | 56 | 244 | 25.13 | 12 | 3.20 | 24 | 573 | 58.97 | 8.7 | 1.00 | | | GFA79
GFAF79
GF79
GFF79 | 4P | | | 156 | 87 | 8.97 | 3.0 | 1.90 | | | GFA159R99
GFAF159R99
GF159R99
GFF159R99 | 4P | | | 28 | 487 | 50.10 | 9.4 | 1.20 | 31 | 435 | 44.73 | 9.5 | 1.30 | | | GFA79
GFAF79
GF79
GFF79 | 4P | | | 174 | 78 | 8.03 | 2.9 | 2.10 | | | GFA159R99
GFAF159R99
GF159R99
GFF159R99 | 4P | | | 37 | 371 | 38.21 | 9.3 | 1.55 | 39 | 348 | 35.79 | 9.1 | 1.65 | | | GFA79
GFAF79
GF79
GFF79 | 4P | | | 0.99 | 19107 | 1441 | 93 | 0.95 | GFA159R99
GFAF159R99
GF159R99
GFF159R99 | | | 4P | | | 46 | 293 | 30.15 | 8.8 | 1.95 | 5.0 | 3779 | 285 | 30 | 1.15 | | | GFA159R99
GFAF159R99
GF159R99
GFF159R99 | 4P | | | 1.1 | 17344 | 1308 | 96 | 1.05 | GFA129R79
GFAF129R79
GF129R79
GFF129R79 | 4P | | | | | 5.8 | 3249 | 245 | 31 | 1.30 | 1.2 | 15501 | 1169 | 101 | 1.15 | GFA159R99
GFAF159R99
GF159R99
GFF159R99 | 4P | | | | 1.5 | 12637 | | 953 | 107 | 1.40 | GFA129R79
GFAF129R79
GF129R79
GFF129R79 | 4P | | | | | 1.7 | 11205 | 845 | 110 | 1.60 | 1.9 | 10130 | 764 | 111 | 1.75 | GFA159R99
GFAF159R99
GF159R99
GFF159R99 | 4P | | | 1.7 | 10860
 | | | 819 | 86 | 1.10 | GFA109R79
GFAF109R79
GF109R79
GFF109R79 | 4P | | | | | 2.1 | 9017 | 680 | 113 | 1.95 | 2.5 | 7638 | 576 | 114 | 2.30 | GFA159R99
GFAF159R99
GF159R99
GFF159R99 | | | 4P | 2.0 | 9627 | | | 726 | 86 | 1.25 | GFA129R79
GFAF129R79
GF129R79
GFF129R79 | 4P | | | | | 3.2 | 5914 | 446 | 114 | 3.00 | 4.7 | 4004 | 302 | 114 | 4.40 | GFA159R99
GFAF159R99
GF159R99
GFF159R99 | | | 4P | 2.2 | 8579 | | | 647 | 86 | 1.40 | GFA109R79
GFAF109R79
GF109R79
GFF109R79 | 4P | | | | | 5.2 | 3620 | 273 | 114 | 4.85 | 6.2 | 3076 | 232 | 114 | 5.70 | GFA159R99
GFAF159R99
GF159R99
GFF159R99 | 4P | | | 2.6 | 7266 | | | 548 | 86 | 1.65 | GFA109R79
GFAF109R79
GF109R79
GFF109R79 | 4P | | | 7.3 | 2612 | | | 197 | 114 | 6.90 | 1.3 | 14254 | 1075 | 81 | 0.85 | GFA159R99
GFAF159R99
GF159R99
GFF159R99 | 4P | | | 2.9 | 6550 | | 494 | 86 | | 1.80 | GFA109R79
GFAF109R79
GF109R79
GFF109R79 | 4P | | | 1.5 | 12318 | | | 929 | 85 | 1.00 | 1.7 | 10860 | 819 | 86 | 1.10 | GFA159R99
GFAF159R99
GF159R99
GFF159R99 | 4P | | | 3.3 | 5675 | | 428 | 86 | | 2.10 | GFA109R79
GFAF109R79
GF109R79
GFF109R79 | 4P | | | 2.0 | 9627 | | | 726 | 86 | 1.25 | 2.2 | 8579 | 647 | 86 | 1.40 | GFA159R99
GFAF159R99
GF159R99
GFF159R99 | 4P | | | 2.2 | 8486 | | 640 | 45 | | 0.90 | GFA99R59
GFAF99R59
GF99R59
GFF99R59 | 4P | | | 2.6 | 7266 | | | 548 | 86 | 1.65 | 2.9 | 6550
 | 494 | 86 | 1.80 | GFA159R99
GFAF159R99
GF159R99
GFF159R99 | 4P | | | 2.6 | 7425 | | 560 | 48 | 1.05 | | GFA109R79
GFAF109R79
GF109R79
GFF109R79 | 4P | | | 3.3 | 5675 | | 428 | 86 | | 2.10 | 3.3 | 5781 | 436 | 51 | 1.35 | GFA159R99
GFAF159R99
GF159R99
GFF159R99 | 4P | | | 2.9 | 6484 | 489 | 50 | 1.20 | | GFA109R79
GFAF109R79
GF109R79
GFF109R79 | | 4P | | | 3.9 | 4906 | | 370 | 53 | | 1.60 | 4.3 | 4416 | 333 | 54 | 1.75 | GFA159R99
GFAF159R99
GF159R99
GFF159R99 | 4P | | | 3.9 | 4906 | 370 | 53 | 1.60 | GFA109R79
GFAF109R79
GF109R79
GFF109R79 | | | 4P | | | 5.0 | 3779 | 285 | 30 | | | 1.15 | 5.8 | 3249 | 245 | 31 | 1.30 | GFA159R99
GFAF159R99
GF159R99
GFF159R99 | 4P | | | 4.3 | 4416 | 333 | 54 | 1.75 | GFA99R59
GFAF99R59
GF99R59
GFF99R59 | | | 4P | | | | | | | | | | | | | | | | | | | | | | | | | | | | | | | | | | | | | | | | | | | | | | | | | | | | | | | | | | | | | | | | | | | | | | | | | | | | | | | | | | | | | | | | | | | | | | | | | | | | | | | | | | | | | | | | | | | | | | | | | | | | | | | | |
 | | | | | | | | | | | | | | | | | | | | | | | | | | | | | | | | | | | | | | | | | | | | | | | | | | | | | | | | | | | | | | | | | | | | | | | | | | | | | | | | | | | | | | | | | | | | | | | | | | | | | | | | | | | | | | | | | | | | | | | | | | | | | | | | | | | | | | | | | | | | | | | | | | | | | | | | | | | | | | | | | | | | | | | | | | | |
 | | | | | | | | | | | | | | | | | | | | | | | | | | | | | | | | | | | | | | | | | | | | | | | | | | | | | | | | | | | | | | | | | | | | | | | | | | | | | | | | | | | | | | | | | | | | | | | | | | | | | | | | | | | | | | | | | | | | | | | | | | | | | | | | | | | | | | | | | | | | | | | | | | | | | | | | | | | | | | | | | | | | | | | | | | | | | | | | | | | | | | | | | | | | | | | | | | | | | | | | | | | | | | | | | | | | | | | | | | | | | | | | | |
 | | | | | | | | | | | | | | | | | | | | | | | | | | | | | | | | | | | | | | | | | | |
| 39 | 353 | 36.30 | 12 | 2.20 | | | | | GFA79
GFAF79
GF79
GFF79 | 4P | 126 | 108 | 11.08 | 3.1 | 1.70 | | | | | | | | | GFA159R99
GFAF159R99
GF159R99
GFF159R99 | 4P | | | | | | | | | | | | | | | | | | | | | | | | | | | | | | | | | | | | | | | | | | | | | | | | | | | | | | | | | | | | | | | | | | | | | | | | | | | | | | | | | | | | | | | | | | | | | | | | | | | | | | | | | | | | | | | | | | | | | | | | | | | | | | | | | | | | | | | | | | | | | | | | | | | | | | | | | | | | | | | | | | | | | | | | | | | | | | | | | | | | | | | | | | |
 | | | | | | | | | | | | | | | | | | | | | | | | | | | | | | | | | | | | | | | | | | | | | | | | | | | | | | | | | | | | | | | | | | | | | | | | | | | | | | | | | | | | | | | | | | | | | | | | | | | | | | | | | | | | | | | | | | | | | | | | | | | | | | | | | | | | | | | | | | | | | | | | | | | | | | | | | | | | | | | | | | | | | | | | | | | | | | | | | | | |
 | | | | | | | | | | | | | | | | | | | | | | | | | | | | | | | | | | | | | | | | | | | | | | | | | | | | | | | | | | | | | | | | | | | | | | | | | | | | | | | | | | | | | | | | | | | | | | | | | | | | | | | | | | | | | | | | | | | | | | | | | | | | | | | | | | | | | | | | | | | | | | | | | | | | | | | | | | | | | | | | | | | | | | | | | | | |
 | | | | | | | | | | | | | | | | | | | | | | | | | | | | | | | | | | | | | | | | | | | | | | | | | | | | | | | | | | | | | | | | | | | | | | | | | | | | | | | | | | | | | | | | | | | | | | | | | | | | | | | | | | | | | | | | | | | | | | | | | | | | | | | | | | | | | | | | | | | | | | | | | | | | | | | | | | | | | | | | | | | | | | | | | | | |
 | | | | | | | | | | | | | | | | | | | | | | | | | | | | | | | | | | | | | | | | | | | | | | | | | | | | | | | | | | | | | | | | | | | | | | | | | | | | | | | | | | | | | | | | | | | | | | | | | | | | | | | | | | | | | | | | | | | | | | | | | | | | | | | | | | | | | | | | | | | | | | | | | | | | | | | | | | | | | | | | | | | | | | | | | | | | | | | | | | | | | | | | | | | | | | | | | | | | | | | | | | | | | | | | | | | | | | | | | | | | | | | | | |
 | | | | | | | | | | | | | | | | | | | | | | | | | | | | | | | | | | | | | | | | | | |
| 44 | 312 | 32.08 | 12 | 2.50 | | | 51 | 266 | | | 27.41 | 12 | 2.90 | GFA79
GFAF79
GF79
GFF79 | 4P | | | | | 134 | 101 | | | | | 10.42 | 3.1 | 1.75 | GFA159R99
GFAF159R99
GF159R99
GFF159R99 | 4P | | | | | 56 | 244 | 25.13 | 12 | 3.20 | 24 | 573 | 58.97 | 8.7 | 1.00 | GFA79
GFAF79
GF79
GFF79 | 4P | | | | | 156 | 87 | 8.97 | 3.0 | 1.90 | | | GFA159R99
GFAF159R99
GF159R99
GFF159R99 | 4P | | | 28 | 487 | 50.10 | 9.4 | 1.20 | 31 | 435 | 44.73 | 9.5 | 1.30 | | | | | GFA79
GFAF79
GF79
GFF79 | 4P | 174 | 78 | 8.03 | 2.9 | 2.10 | | | | | GFA159R99
GFAF159R99
GF159R99
GFF159R99 | 4P | 37 | 371 | 38.21 | 9.3 | 1.55 | 39 | 348 | 35.79 | 9.1 | 1.65 | | | | | GFA79
GFAF79
GF79
GFF79 | 4P | 0.99 | 19107 | 1441 | 93 | 0.95 | | | | | GFA159R99
GFAF159R99
GF159R99
GFF159R99 | 4P | 46 | 293 | 30.15 | 8.8 | 1.95 | 5.0 | 3779 | 285 | 30 | 1.15 | | | | | GFA159R99
GFAF159R99
GF159R99
GFF159R99 | 4P | 1.1 | 17344 | 1308 | 96 | 1.05 | | | | | GFA129R79
GFAF129R79
GF129R79
GFF129R79 | 4P | 5.8 | 3249 | 245 | 31 | 1.30 | 1.2 | 15501 | 1169 | 101 | 1.15 | | | | | GFA159R99
GFAF159R99
GF159R99
GFF159R99 | 4P | 1.5 | 12637 | 953 | 107 | 1.40 | | | | | GFA129R79
GFAF129R79
GF129R79
GFF129R79 | 4P | 1.7 | 11205 | 845 | 110 | 1.60 | 1.9 | 10130 | 764 | 111 | 1.75 | | | | | GFA159R99
GFAF159R99
GF159R99
GFF159R99 | 4P | 1.7 | 10860 | 819 | 86 | 1.10 | | | | | GFA109R79
GFAF109R79
GF109R79
GFF109R79 | 4P | 2.1 | 9017 | 680 | 113 | 1.95 | 2.5 | 7638 | 576 | 114 | 2.30 | | | | | GFA159R99
GFAF159R99
GF159R99
GFF159R99 | 4P
 | 2.0 | 9627 | 726 | 86 | 1.25 | | | | | GFA129R79
GFAF129R79
GF129R79
GFF129R79 | 4P | 3.2 | 5914 | 446 | 114 | 3.00 | 4.7 | 4004 | 302 | 114 | 4.40 | | | | | GFA159R99
GFAF159R99
GF159R99
GFF159R99 | 4P | 2.2 | 8579 | 647 | 86 | 1.40 | | | | | GFA109R79
GFAF109R79
GF109R79
GFF109R79 | 4P | 5.2 | 3620 | 273 | 114 | 4.85 | 6.2 | 3076 | 232 | 114 | 5.70 | | | | | GFA159R99
GFAF159R99
GF159R99
GFF159R99 | 4P | 2.6 | 7266 | 548 | 86 | 1.65 | | | | | GFA109R79
GFAF109R79
GF109R79
GFF109R79 | 4P | 7.3 | 2612 | 197 | 114 | 6.90 | 1.3 | 14254 | 1075 | 81 | 0.85 | | | | | GFA159R99
GFAF159R99
GF159R99
GFF159R99 | 4P | 2.9 | 6550 | 494 | 86 | 1.80 | | | | | GFA109R79
GFAF109R79
GF109R79
GFF109R79 | 4P | 1.5 | 12318 | 929 | 85 | 1.00 | 1.7 | 10860 | 819 | 86 | 1.10 | | | | | GFA159R99
GFAF159R99
GF159R99
GFF159R99 | 4P | 3.3 | 5675 | 428 | 86 | 2.10 | | | | | GFA109R79
GFAF109R79
GF109R79
GFF109R79 | 4P | 2.0 | 9627 | 726 | 86 | 1.25 | 2.2 | 8579 | 647 | 86 | 1.40 | | | | | GFA159R99
GFAF159R99
GF159R99
GFF159R99 | 4P | 2.2 | 8486 | 640 | 45 | 0.90 | | | | | GFA99R59
GFAF99R59
GF99R59
GFF99R59 | 4P | 2.6 | 7266 | 548 | 86 | 1.65 | 2.9 | 6550 | 494 | 86 | 1.80 | | | | | GFA159R99
GFAF159R99
GF159R99
GFF159R99 | 4P | 2.6 | 7425 | 560 | 48 | 1.05 | | | | | GFA109R79
GFAF109R79
GF109R79
GFF109R79 | 4P | 3.3 | 5675 | 428 | 86 | 2.10 | 3.3 | 5781
 | 436 | 51 | 1.35 | | | | | GFA159R99
GFAF159R99
GF159R99
GFF159R99 | 4P | 2.9 | 6484 | 489 | 50 | 1.20 | | | | | GFA109R79
GFAF109R79
GF109R79
GFF109R79 | 4P | 3.9 | 4906 | 370 | 53 | 1.60 | 4.3 | 4416 | 333 | 54 | 1.75 | | | | | GFA159R99
GFAF159R99
GF159R99
GFF159R99 | 4P | 3.9 | 4906 | 370 | 53 | | 1.60 | | | | GFA109R79
GFAF109R79
GF109R79
GFF109R79 | 4P | 5.0 | 3779 | 285 | 30 | 1.15 | 5.8 | 3249 | 245 | 31 | 1.30 | | | | | GFA159R99
GFAF159R99
GF159R99
GFF159R99 | 4P | 4.3 | 4416 | 333 | | 54 | 1.75 | | | | GFA99R59
GFAF99R59
GF99R59
GFF99R59 | 4P | | | | | | | | | | | | | | | | | | | | | | | | | | | | | | | | | | | | | | | | | | | | | | | | | | | | | | | | | | | | | | | | | | | | | | | | | | | | | | | | | | | | | | | | | | | | | | | | | | | | | | | | | | | | | | | | | | | | | | | | | | | | | | | | | | | | | | | | | | | | | | | | | | | | | | | |
 | | | | | | | | | | | | | | | | | | | | | | | | | | | | | | | | | | | | | | | | | | | | | | | | | | | | | | | | | | | | | | | | | | | | | | | | | | | | | | | | | | | | | | | | | | | | | | | | | | | | | | | | | | | | | | | | | | | | | | | | | | | | | | | | | | | | | | | | | | | | | | | | | | | | | | | | | | | | | | | | | | | | | | | | | | | |
 | | | | | | | | | | | | | | | | | | | | | | | | | | | | | | | | | | | | | | | | | | | | | | | | | | | | | | | | | | | | | | | | | | | | | | | | | | | | | | | | | | | | | | | | | | | | | | | | | | | | | | | | | | | | | | | | | | | | | | | | | | | | | | | | | | | | | | | | | | | | | | | | | | | | | | | | | | | | | | | | | | | | | | | | | | | | | | | | | | | | | | | | | | | | | | | | | | | | | | | | | | | | | | | | | | | | | | | | | | | | | | | | | |
 | | | | | | | | | | | | | | | | | | | | | | | | | | | | | | | | | | | | | | | | | | |
| 51 | 266 | 27.41 | 12 | 2.90 | | | GFA79
GFAF79
GF79
GFF79 | 4P | | | 134 | 101 | 10.42 | | | 3.1 | 1.75 | | | GFA159R99
GFAF159R99
GF159R99
GFF159R99 | 4P | | | | | | | | | | | | | | | | | | | | | | | | | | | | | | | | | | | | | | | | | | | | | | | | | | | | | | | | | | | | | | | | | | | | | | | | | | | | | | | | | | | | | | | | | | | | | | | | | | | | | | | | | | | | | | | | | | | | | | | | | | | | | | | | | | | | | | | | | | | | | | | | | | | | | | | | | | | | | | | | | | | | | | | | | | | | | | | | | | | | | | | | | | | | | | |
 | | | | | | | | | | | | | | | | | | | | | | | | | | | | | | | | | | | | | | | | | | | | | | | | | | | | | | | | | | | | | | | | | | | | | | | | | | | | | | | | | | | | | | | | | | | | | | | | | | | | | | | | | | | | | | | | | | | | | | | | | | | | | | | | | | | | | | | | | | | | | | | | | | | | | | | | | | | | | | | | | | | | | | | | | | | | | | | | | | | |
 | | | | | | | | | | | | | | | | | | | | | | | | | | | | | | | | | | | | | | | | | | | | | | | | | | | | | | | | | | | | | | | | | | | | | | | | | | | | | | | | | | | | | | | | | | | | | | | | | | | | | | | | | | | | | | | | | | | | | | | | | | | | | | | | | | | | | | | | | | | | | | | | | | | | | | | | | | | | | | | | | | | | | | | | | | | |
 | | | | | | | | | | | | | | | | | | | | | | | | | | | | | | | | | | | | | | | | | | | | | | | | | | | | | | | | | | | | | | | | | | | | | | | | | | | | | | | | | | | | | | | | | | | | | | | | | | | | | | | | | | | | | | | | | | | | | | | | | | | | | | | | | | | | | | | | | | | | | | | | | | | | | | | | | | | | | | | | | | | | | | | | | | | |
 | | | | | | | | | | | | | | | | | | | | | | | | | | | | | | | | | | | | | | | | | | | | | | | | | | | | | | | | | | | | | | | | | | | | | | | | | | | | | | | | | | | | | | | | | | | | | | | | | | | | | | | | | | | | | | | | | | | | | | | | | | | | | | | | | | | | | | | | | | | | | | | | | | | | | | | | | | | | | | | | | | | | | | | | | | | | | | | | | | | | | | | | | | | | | | | | | | | | | | | | | | | | | | | | | | | | | | | | | | | | | | | | | |
 | | | | | | | | | | | | | | | | | | | | | | | | | | | | | | | | | | | | | | | | | | |
| 56 | 244 | 25.13 | 12 | 3.20 | 24 | 573 | | | | | 58.97 | 8.7 | 1.00 | | | GFA79
GFAF79
GF79
GFF79 | 4P | | | | | 156 | 87 | | | 8.97 | 3.0 | 1.90 | | | GFA159R99
GFAF159R99
GF159R99
GFF159R99 | 4P | | | 28 | 487 | 50.10 | 9.4 | 1.20 | 31 | 435 | 44.73 | 9.5 | 1.30 | | | GFA79
GFAF79
GF79
GFF79 | 4P | | | 174 | 78 | 8.03 | 2.9 | 2.10 | GFA159R99
GFAF159R99
GF159R99
GFF159R99 | 4P | | | | | 37 | 371 | 38.21 | 9.3 | 1.55 | 39 | 348 | 35.79 | 9.1 | 1.65 | GFA79
GFAF79
GF79
GFF79 | 4P | | | | | 0.99 | 19107 | 1441 | 93 | 0.95 | GFA159R99
GFAF159R99
GF159R99
GFF159R99 | 4P | | | | | 46 | 293 | 30.15 | 8.8 | 1.95 | 5.0 | 3779 | 285 | 30 | 1.15 | GFA159R99
GFAF159R99
GF159R99
GFF159R99 | 4P | | | | | 1.1 | 17344 | 1308 | 96 | 1.05 | GFA129R79
GFAF129R79
GF129R79
GFF129R79 | 4P | | | | | 5.8 | 3249 | 245 | 31 | 1.30 | 1.2 | 15501 | 1169 | 101 | 1.15 | GFA159R99
GFAF159R99
GF159R99
GFF159R99 | 4P | | | | | 1.5 | 12637 | 953 | 107 | 1.40 | | GFA129R79
GFAF129R79
GF129R79
GFF129R79 | 4P | | | | 1.7 | 11205 | 845 | 110 | 1.60 | 1.9 | 10130 | 764 | 111 | 1.75 | GFA159R99
GFAF159R99
GF159R99
GFF159R99 | 4P | | | | | 1.7 | 10860 | 819 | 86 | 1.10 | | | GFA109R79
GFAF109R79
GF109R79
GFF109R79 | 4P | | | 2.1 | 9017 | 680 | 113 | 1.95 | 2.5 | 7638 | 576 | 114 | 2.30 | | | GFA159R99
GFAF159R99
GF159R99
GFF159R99 | 4P | | | 2.0 | 9627 | 726 | 86 | 1.25 | | | GFA129R79
GFAF129R79
GF129R79
GFF129R79 | 4P | | | 3.2 | 5914 | 446 | 114 | 3.00 | 4.7 | 4004 | 302 | 114 | 4.40 | | | GFA159R99
GFAF159R99
GF159R99
GFF159R99 | 4P | |
 | 2.2 | 8579 | 647 | 86 | 1.40 | | | GFA109R79
GFAF109R79
GF109R79
GFF109R79 | 4P | | | 5.2 | 3620 | 273 | 114 | 4.85 | 6.2 | 3076 | 232 | 114 | 5.70 | | GFA159R99
GFAF159R99
GF159R99
GFF159R99 | 4P | | | | 2.6 | 7266 | 548 | 86 | 1.65 | | | GFA109R79
GFAF109R79
GF109R79
GFF109R79 | 4P | | | 7.3 | 2612 | 197 | 114 | 6.90 | 1.3 | 14254 | 1075 | 81 | 0.85 | | GFA159R99
GFAF159R99
GF159R99
GFF159R99 | 4P | | | | 2.9 | 6550 | 494 | 86 | 1.80 | | | GFA109R79
GFAF109R79
GF109R79
GFF109R79 | 4P | | | 1.5 | 12318 | 929 | 85 | 1.00 | 1.7 | 10860 | 819 | 86 | 1.10 | | | GFA159R99
GFAF159R99
GF159R99
GFF159R99 | 4P | | | 3.3 | 5675 | 428 | 86 | 2.10 | | | GFA109R79
GFAF109R79
GF109R79
GFF109R79 | 4P | | | 2.0 | 9627 | 726 | 86 | 1.25 | 2.2 | 8579 | 647 | 86 | 1.40 | | | GFA159R99
GFAF159R99
GF159R99
GFF159R99 | 4P | | | 2.2 | 8486 | 640 | 45 | 0.90 | | | GFA99R59
GFAF99R59
GF99R59
GFF99R59 | 4P | | | 2.6 | 7266 | 548 | 86 | 1.65 | 2.9 | 6550 | 494 | 86 | 1.80 | | | GFA159R99
GFAF159R99
GF159R99
GFF159R99 | 4P | | | 2.6 | 7425 | 560 | 48 | 1.05 | | | GFA109R79
GFAF109R79
GF109R79
GFF109R79 | 4P | | | 3.3 | 5675 | 428 | 86 | 2.10 | 3.3 | 5781 | 436 | 51 | 1.35 | | | GFA159R99
GFAF159R99
GF159R99
GFF159R99 | 4P | | | 2.9 | 6484 | 489 | 50 | 1.20 | | | GFA109R79
GFAF109R79
GF109R79
GFF109R79 | 4P | | | 3.9 | 4906 | 370 | 53 | 1.60 | 4.3 | 4416
 | 333 | 54 | 1.75 | | | GFA159R99
GFAF159R99
GF159R99
GFF159R99 | 4P | | | 3.9 | 4906 | 370 | 53 | 1.60 | | | GFA109R79
GFAF109R79
GF109R79
GFF109R79 | 4P | | | 5.0 | 3779 | 285 | 30 | 1.15 | 5.8 | 3249 | 245 | 31 | 1.30 | | | GFA159R99
GFAF159R99
GF159R99
GFF159R99 | 4P | | | 4.3 | 4416 | 333 | 54 | | 1.75 | | GFA99R59
GFAF99R59
GF99R59
GFF99R59 | 4P | | | | | | | | | | | | | | | | | | | | | | | | | | | | | | | | | | | | | | | | | | | | | | | | | | | | | | | | | | | | | | | | | | | | | | | | | | | | | | | | | | | | | | | | | | | | | | | | | | | | | | | | | | | | | | | | | | | | | | | | | | | | | | | | | | | | | | | | | | | | | | | | | | | | | | | | | | | | | | | | | | | | | | | | | | | | | | | | | | | | |
 | | | | | | | | | | | | | | | | | | | | | | | | | | | | | | | | | | | | | | | | | | | | | | | | | | | | | | | | | | | | | | | | | | | | | | | | | | | | | | | | | | | | | | | | | | | | | | | | | | | | | | | | | | | | | | | | | | | | | | | | | | | | | | | | | | | | | | | | | | | | | | | | | | | | | | | | | | | | | | | | | | | | | | | | | | | |
 | | | | | | | | | | | | | | | | | | | | | | | | | | | | | | | | | | | | | | | | | | | | | | | | | | | | | | | | | | | | | | | | | | | | | | | | | | | | | | | | | | | | | | | | | | | | | | | | | | | | | | | | | | | | | | | | | | | | | | | | | | | | | | | | | | | | | | | | | | | | | | | | | | | | | | | | | | | | | | | | | | | | | | | | | | | | | | | | | | | | | | | | | | | | | | | | | | | | | | | | | | | | | | | | | | | | | | | | | | | | | | | | | |
 | | | | | | | | | | | | | | | | | | | | | | | | | | | | | | | | | | | | | | | | | | |
| 24 | 573 | 58.97 | 8.7 | 1.00 | GFA79
GFAF79
GF79
GFF79 | 4P | | | | | 156 | 87 | 8.97 | | | | | 3.0 | 1.90 | | | GFA159R99
GFAF159R99
GF159R99
GFF159R99 | 4P | | | | | | | | | | | | | | | | | | | | | | | | | | | | | | | | | | | | | | | | | | | | | | | | | | | | | | | | | | | | | | | | | | | | | | | | | | | | | | | | | | | | | | | | | | | | | | | | | | | | | | | | | | | | | | | | | | | | | | | | | | | | | | | | | | | | | | | | | | | | | | | | | | | | | | | | | | | | | | | | | | | | | | | | | | | | | | | | | | | | | | | | | | | | |
 | | | | | | | | | | | | | | | | | | | | | | | | | | | | | | | | | | | | | | | | | | | | | | | | | | | | | | | | | | | | | | | | | | | | | | | | | | | | | | | | | | | | | | | | | | | | | | | | | | | | | | | | | | | | | | | | | | | | | | | | | | | | | | | | | | | | | | | | | | | | | | | | | | | | | | | | | | | | | | | | | | | | | | | | | | | | | | | | | | | |
 | | | | | | | | | | | | | | | | | | | | | | | | | | | | | | | | | | | | | | | | | | | | | | | | | | | | | | | | | | | | | | | | | | | | | | | | | | | | | | | | | | | | | | | | | | | | | | | | | | | | | | | | | | | | | | | | | | | | | | | | | | | | | | | | | | | | | | | | | | | | | | | | | | | | | | | | | | | | | | | | | | | | | | | | | | | |
 | | | | | | | | | | | | | | | | | | | | | | | | | | | | | | | | | | | | | | | | | | | | | | | | | | | | | | | | | | | | | | | | | | | | | | | | | | | | | | | | | | | | | | | | | | | | | | | | | | | | | | | | | | | | | | | | | | | | | | | | | | | | | | | | | | | | | | | | | | | | | | | | | | | | | | | | | | | | | | | | | | | | | | | | | | | |
 | | | | | | | | | | | | | | | | | | | | | | | | | | | | | | | | | | | | | | | | | | | | | | | | | | | | | | | | | | | | | | | | | | | | | | | | | | | | | | | | | | | | | | | | | | | | | | | | | | | | | | | | | | | | | | | | | | | | | | | | | | | | | | | | | | | | | | | | | | | | | | | | | | | | | | | | | | | | | | | | | | | | | | | | | | | | | | | | | | | | | | | | | | | | | | | | | | | | | | | | | | | | | | | | | | | | | | | | | | | | | | | | | |
 | | | | | | | | | | | | | | | | | | | | | | | | | | | | | | | | | | | | | | | | | | |
| 28 | 487 | 50.10 | 9.4 | 1.20 | | | | | 31 | 435 | 44.73 | 9.5 | 1.30 | | | | | GFA79
GFAF79
GF79
GFF79 | 4P | | | | | 174 | 78 | 8.03 | 2.9 | 2.10 | | | | | GFA159R99
GFAF159R99
GF159R99
GFF159R99 | 4P | 37 | 371 | 38.21 | 9.3 | 1.55 | 39 | 348 | 35.79 | 9.1 | 1.65 | | | | | GFA79
GFAF79
GF79
GFF79 | 4P | 0.99 | 19107 | 1441 | 93 | 0.95 | | | | | GFA159R99
GFAF159R99
GF159R99
GFF159R99 | 4P | 46 | 293 | 30.15 | 8.8 | 1.95 | 5.0 | 3779 | 285 | 30 | 1.15 | | | GFA159R99
GFAF159R99
GF159R99
GFF159R99 | 4P | | | 1.1 | 17344 | 1308 | 96 | 1.05 | | | GFA129R79
GFAF129R79
GF129R79
GFF129R79 | 4P | | | 5.8 | 3249 | 245 | 31 | 1.30 | 1.2 | 15501 | 1169 | 101 | 1.15 | | | GFA159R99
GFAF159R99
GF159R99
GFF159R99 | 4P | | | 1.5 | 12637 | 953 | 107 | 1.40 | | | GFA129R79
GFAF129R79
GF129R79
GFF129R79 | 4P | | | 1.7 | 11205 | 845 | 110 | 1.60 | 1.9 | 10130 | 764 | 111 | 1.75 | | | GFA159R99
GFAF159R99
GF159R99
GFF159R99 | 4P | | | 1.7 | 10860 | 819 | 86 | 1.10 | GFA109R79
GFAF109R79
GF109R79
GFF109R79 | | | 4P | | | 2.1 | 9017 | 680 | 113 | 1.95 | 2.5 | 7638 | 576 | 114 | 2.30 | | | GFA159R99
GFAF159R99
GF159R99
GFF159R99 | 4P | | | 2.0 | 9627 | 726 | 86 | 1.25 | GFA129R79
GFAF129R79
GF129R79
GFF129R79 | 4P | | | | | 3.2 | 5914 | 446 | 114 | 3.00 | 4.7 | 4004 | 302 | 114 | 4.40 | GFA159R99
GFAF159R99
GF159R99
GFF159R99 | 4P | | | | | 2.2 | 8579 | 647 | 86 | 1.40 | GFA109R79
GFAF109R79
GF109R79
GFF109R79 | 4P | | | | | 5.2 | 3620 | 273 | 114 | 4.85 | 6.2 | 3076 | 232 | 114 | 5.70 | GFA159R99
GFAF159R99
GF159R99
GFF159R99 | 4P | | | |
 | 2.6 | 7266 | 548 | 86 | 1.65 | GFA109R79
GFAF109R79
GF109R79
GFF109R79 | 4P | | | | | 7.3 | 2612 | 197 | 114 | 6.90 | 1.3 | 14254 | 1075 | 81 | 0.85 | GFA159R99
GFAF159R99
GF159R99
GFF159R99 | | | 4P | | | 2.9 | 6550 | 494 | 86 | 1.80 | GFA109R79
GFAF109R79
GF109R79
GFF109R79 | 4P | | | | | 1.5 | 12318 | 929 | 85 | 1.00 | 1.7 | 10860 | 819 | 86 | 1.10 | GFA159R99
GFAF159R99
GF159R99
GFF159R99 | | | 4P | | | 3.3 | 5675 | 428 | 86 | 2.10 | GFA109R79
GFAF109R79
GF109R79
GFF109R79 | 4P | | | | | 2.0 | 9627 | 726 | 86 | 1.25 | 2.2 | 8579 | 647 | 86 | 1.40 | GFA159R99
GFAF159R99
GF159R99
GFF159R99 | 4P | | | | | 2.2 | 8486 | 640 | 45 | 0.90 | GFA99R59
GFAF99R59
GF99R59
GFF99R59 | 4P | | | | | 2.6 | 7266 | 548 | 86 | 1.65 | 2.9 | 6550 | 494 | 86 | 1.80 | GFA159R99
GFAF159R99
GF159R99
GFF159R99 | 4P | | | | | 2.6 | 7425 | 560 | 48 | 1.05 | GFA109R79
GFAF109R79
GF109R79
GFF109R79 | 4P | | | | | 3.3 | 5675 | 428 | 86 | 2.10 | 3.3 | 5781 | 436 | 51 | 1.35 | GFA159R99
GFAF159R99
GF159R99
GFF159R99 | 4P | | | | | 2.9 | 6484 | 489 | 50 | 1.20 | GFA109R79
GFAF109R79
GF109R79
GFF109R79 | 4P | | | | | 3.9 | 4906 | 370 | 53 | 1.60 | 4.3 | 4416 | 333 | 54 | 1.75 | GFA159R99
GFAF159R99
GF159R99
GFF159R99 | 4P | | | | | 3.9 | 4906 | 370 | 53 | 1.60 | GFA109R79
GFAF109R79
GF109R79
GFF109R79 | 4P | | | | | 5.0 | 3779 | 285 | 30 | 1.15 | 5.8 | 3249
 | 245 | 31 | 1.30 | GFA159R99
GFAF159R99
GF159R99
GFF159R99 | 4P | | | | | 4.3 | 4416 | 333 | 54 | 1.75 | GFA99R59
GFAF99R59
GF99R59
GFF99R59 | 4P | | | | | | | | | | | | | | | | | | | | | | | | | | | | | | | | | | | | | | | | | | | | | | | | | | | | | | | | | | | | | | | | | | | | | | | | | | | | | | | | | | | | | | | | | | | | | | | | | | | | | | | | | | | | | | | | | | | | | | | | | | | | | | | | | | | | | | | | | | | | | | | | | | | | | | | | | | | | | | | | | | | | | | | | | | | | | | | | | | | | | | | | | | | | | | | | | | | | | | | | | | | | | | | | | |
 | | | | | | | | | | | | | | | | | | | | | | | | | | | | | | | | | | | | | | | | | | | | | | | | | | | | | | | | | | | | | | | | | | | | | | | | | | | | | | | | | | | | | | | | | | | | | | | | | | | | | | | | | | | | | | | | | | | | | | | | | | | | | | | | | | | | | | | | | | | | | | | | | | | | | | | | | | | | | | | | | | | | | | | | | | | |
 | | | | | | | | | | | | | | | | | | | | | | | | | | | | | | | | | | | | | | | | | | | | | | | | | | | | | | | | | | | | | | | | | | | | | | | | | | | | | | | | | | | | | | | | | | | | | | | | | | | | | | | | | | | | | | | | | | | | | | | | | | | | | | | | | | | | | | | | | | | | | | | | | | | | | | | | | | | | | | | | | | | | | | | | | | | | | | | | | | | | | | | | | | | | | | | | | | | | | | | | | | | | | | | | | | | | | | | | | | | | | | | | | |
 | | | | | | | | | | | | | | | | | | | | | | | | | | | | | | | | | | | | | | | | | | |
| 31 | 435 | 44.73 | 9.5 | 1.30 | | | | | GFA79
GFAF79
GF79
GFF79 | 4P | 174 | 78 | 8.03 | 2.9 | 2.10 | | | | | | | | | GFA159R99
GFAF159R99
GF159R99
GFF159R99 | 4P | | | | | | | | | | | | | | | | | | | | | | | | | | | | | | | | | | | | | | | | | | | | | | | | | | | | | | | | | | | | | | | | | | | | | | | | | | | | | | | | | | | | | | | | | | | | | | | | | | | | | | | | | | | | | | | | | | | | | | | | | | | | | | | | | | | | | | | | | | | | | | | | | | | | | | | | | | | | | | | | | | | | | | | | | | | | | | | | | | | | | | | | | | |
 | | | | | | | | | | | | | | | | | | | | | | | | | | | | | | | | | | | | | | | | | | | | | | | | | | | | | | | | | | | | | | | | | | | | | | | | | | | | | | | | | | | | | | | | | | | | | | | | | | | | | | | | | | | | | | | | | | | | | | | | | | | | | | | | | | | | | | | | | | | | | | | | | | | | | | | | | | | | | | | | | | | | | | | | | | | | | | | | | | | |
 | | | | | | | | | | | | | | | | | | | | | | | | | | | | | | | | | | | | | | | | | | | | | | | | | | | | | | | | | | | | | | | | | | | | | | | | | | | | | | | | | | | | | | | | | | | | | | | | | | | | | | | | | | | | | | | | | | | | | | | | | | | | | | | | | | | | | | | | | | | | | | | | | | | | | | | | | | | | | | | | | | | | | | | | | | | |
 | | | | | | | | | | | | | | | | | | | | | | | | | | | | | | | | | | | | | | | | | | | | | | | | | | | | | | | | | | | | | | | | | | | | | | | | | | | | | | | | | | | | | | | | | | | | | | | | | | | | | | | | | | | | | | | | | | | | | | | | | | | | | | | | | | | | | | | | | | | | | | | | | | | | | | | | | | | | | | | | | | | | | | | | | | | |
 | | | | | | | | | | | | | | | | | | | | | | | | | | | | | | | | | | | | | | | | | | | | | | | | | | | | | | | | | | | | | | | | | | | | | | | | | | | | | | | | | | | | | | | | | | | | | | | | | | | | | | | | | | | | | | | | | | | | | | | | | | | | | | | | | | | | | | | | | | | | | | | | | | | | | | | | | | | | | | | | | | | | | | | | | | | | | | | | | | | | | | | | | | | | | | | | | | | | | | | | | | | | | | | | | | | | | | | | | | | | | | | | | |
 | | | | | | | | | | | | | | | | | | | | | | | | | | | | | | | | | | | | | | | | | | |
| 37 | 371 | 38.21 | 9.3 | 1.55 | | | 39 | 348 | | | 35.79 | 9.1 | 1.65 | GFA79
GFAF79
GF79
GFF79 | 4P | | | | | 0.99 | 19107 | | | | | 1441 | 93 | 0.95 | GFA159R99
GFAF159R99
GF159R99
GFF159R99 | 4P | | | | | 46 | 293 | 30.15 | 8.8 | 1.95 | 5.0 | 3779 | 285 | 30 | 1.15 | GFA159R99
GFAF159R99
GF159R99
GFF159R99 | 4P | | | | | 1.1 | 17344 | 1308 | 96 | 1.05 | | | GFA129R79
GFAF129R79
GF129R79
GFF129R79 | 4P | | | 5.8 | 3249 | 245 | 31 | 1.30 | 1.2 | 15501 | 1169 | 101 | 1.15 | | | | | GFA159R99
GFAF159R99
GF159R99
GFF159R99 | 4P | 1.5 | 12637 | 953 | 107 | 1.40 | | | | | GFA129R79
GFAF129R79
GF129R79
GFF129R79 | 4P | 1.7 | 11205 | 845 | 110 | 1.60 | 1.9 | 10130 | 764 | 111 | 1.75 | | | | | GFA159R99
GFAF159R99
GF159R99
GFF159R99 | 4P | 1.7 | 10860 | 819 | 86 | 1.10 | | | | | GFA109R79
GFAF109R79
GF109R79
GFF109R79 | 4P | 2.1 | 9017 | 680 | 113 | 1.95 | 2.5 | 7638 | 576 | 114 | 2.30 | | | | | GFA159R99
GFAF159R99
GF159R99
GFF159R99 | 4P | 2.0 | 9627 | 726 | 86 | 1.25 | | | | | GFA129R79
GFAF129R79
GF129R79
GFF129R79 | 4P | 3.2 | 5914 | 446 | 114 | 3.00 | 4.7 | 4004 | 302 | 114 | 4.40 | | | | | GFA159R99
GFAF159R99
GF159R99
GFF159R99 | 4P | 2.2 | 8579 | 647 | 86 | 1.40 | | | | | GFA109R79
GFAF109R79
GF109R79
GFF109R79 | 4P | 5.2 | 3620 | 273 | 114 | 4.85 | 6.2 | 3076 | 232 | 114 | 5.70 | | | | | GFA159R99
GFAF159R99
GF159R99
GFF159R99 | 4P | 2.6 | 7266 | 548 | 86 | 1.65 | | | | | GFA109R79
GFAF109R79
GF109R79
GFF109R79 | 4P | 7.3 | 2612 | 197 | 114 | 6.90 | 1.3 | 14254 | 1075 | 81 | 0.85 | | | | | GFA159R99
GFAF159R99
GF159R99
GFF159R99 | 4P
 | 2.9 | 6550 | 494 | 86 | 1.80 | | | | | GFA109R79
GFAF109R79
GF109R79
GFF109R79 | 4P | 1.5 | 12318 | 929 | 85 | 1.00 | 1.7 | 10860 | 819 | 86 | 1.10 | | | | | GFA159R99
GFAF159R99
GF159R99
GFF159R99 | 4P | 3.3 | 5675 | 428 | 86 | 2.10 | | | | | GFA109R79
GFAF109R79
GF109R79
GFF109R79 | 4P | 2.0 | 9627 | 726 | 86 | 1.25 | 2.2 | 8579 | 647 | 86 | 1.40 | | | | | GFA159R99
GFAF159R99
GF159R99
GFF159R99 | 4P | 2.2 | 8486 | 640 | 45 | 0.90 | | | | | GFA99R59
GFAF99R59
GF99R59
GFF99R59 | 4P | 2.6 | 7266 | 548 | 86 | 1.65 | 2.9 | 6550 | 494 | 86 | 1.80 | | | | | GFA159R99
GFAF159R99
GF159R99
GFF159R99 | 4P | 2.6 | 7425 | 560 | 48 | 1.05 | | | | | GFA109R79
GFAF109R79
GF109R79
GFF109R79 | 4P | 3.3 | 5675 | 428 | 86 | 2.10 | 3.3 | 5781 | 436 | 51 | 1.35 | | | | | GFA159R99
GFAF159R99
GF159R99
GFF159R99 | 4P | 2.9 | 6484 | 489 | 50 | 1.20 | | | | | GFA109R79
GFAF109R79
GF109R79
GFF109R79 | 4P | 3.9 | 4906 | 370 | 53 | 1.60 | 4.3 | 4416 | 333 | 54 | 1.75 | | | | | GFA159R99
GFAF159R99
GF159R99
GFF159R99 | 4P | 3.9 | 4906 | 370 | 53 | 1.60 | | | | | GFA109R79
GFAF109R79
GF109R79
GFF109R79 | 4P | 5.0 | 3779 | 285 | 30 | 1.15 | 5.8 | 3249 | 245 | 31 | 1.30 | | | | | GFA159R99
GFAF159R99
GF159R99
GFF159R99 | 4P | 4.3 | 4416 | 333 | 54 | 1.75 | | | | | GFA99R59
GFAF99R59
GF99R59
GFF99R59 | 4P | | | | | | | | | | | | | | | | | | | | | | | | | | | | | | | | | | | | | | | | | | | | | | | | | | | | |
 | | | | | | | | | | | | | | | | | | | | | | | | | | | | | | | | | | | | | | | | | | | | | | | | | | | | | | | | | | | | | | | | | | | | | | | | | | | | | | | | | | | | | | | | | | | | | | | | | | | | | | | | | | | | | | | | | | | | | | | | | | | | | | | | | | | | | | | | | | | | | | | | | | | | | | | | | | | | | | | | | | | | | | | | | | | |
 | | | | | | | | | | | | | | | | | | | | | | | | | | | | | | | | | | | | | | | | | | | | | | | | | | | | | | | | | | | | | | | | | | | | | | | | | | | | | | | | | | | | | | | | | | | | | | | | | | | | | | | | | | | | | | | | | | | | | | | | | | | | | | | | | | | | | | | | | | | | | | | | | | | | | | | | | | | | | | | | | | | | | | | | | | | |
 | | | | | | | | | | | | | | | | | | | | | | | | | | | | | | | | | | | | | | | | | | | | | | | | | | | | | | | | | | | | | | | | | | | | | | | | | | | | | | | | | | | | | | | | | | | | | | | | | | | | | | | | | | | | | | | | | | | | | | | | | | | | | | | | | | | | | | | | | | | | | | | | | | | | | | | | | | | | | | | | | | | | | | | | | | | | | | | | | | | | | | | | | | | | | | | | | | | | | | | | | | | | | | | | | | | | | | | | | | | | | | | | | |
 | | | | | | | | | | | | | | | | | | | | | | | | | | | | | | | | | | | | | | | | | | |
| 39 | 348 | 35.79 | 9.1 | 1.65 | | | GFA79
GFAF79
GF79
GFF79 | 4P | | | 0.99 | 19107 | 1441 | | | 93 | 0.95 | | | GFA159R99
GFAF159R99
GF159R99
GFF159R99 | 4P | | | | | | | | | | | | | | | | | | | | | | | | | | | | | | | | | | | | | | | | | | | | | | | | | | | | | | | | | | | | | | | | | | | | | | | | | | | | | | | | | | | | | | | | | | | | | | | | | | | | | | | | | | | | | | | | | | | | | | | | | | | | | | | | | | | | | | | | | | | | | | | | | | | | | | | | | | | | | | | | | | | | | | | | | | | | | | | | | | | | | | | | | | | | | | |
 | | | | | | | | | | | | | | | | | | | | | | | | | | | | | | | | | | | | | | | | | | | | | | | | | | | | | | | | | | | | | | | | | | | | | | | | | | | | | | | | | | | | | | | | | | | | | | | | | | | | | | | | | | | | | | | | | | | | | | | | | | | | | | | | | | | | | | | | | | | | | | | | | | | | | | | | | | | | | | | | | | | | | | | | | | | | | | | | | | | |
 | | | | | | | | | | | | | | | | | | | | | | | | | | | | | | | | | | | | | | | | | | | | | | | | | | | | | | | | | | | | | | | | | | | | | | | | | | | | | | | | | | | | | | | | | | | | | | | | | | | | | | | | | | | | | | | | | | | | | | | | | | | | | | | | | | | | | | | | | | | | | | | | | | | | | | | | | | | | | | | | | | | | | | | | | | | |
 | | | | | | | | | | | | | | | | | | | | | | | | | | | | | | | | | | | | | | | | | | | | | | | | | | | | | | | | | | | | | | | | | | | | | | | | | | | | | | | | | | | | | | | | | | | | | | | | | | | | | | | | | | | | | | | | | | | | | | | | | | | | | | | | | | | | | | | | | | | | | | | | | | | | | | | | | | | | | | | | | | | | | | | | | | | |
 | | | | | | | | | | | | | | | | | | | | | | | | | | | | | | | | | | | | | | | | | | | | | | | | | | | | | | | | | | | | | | | | | | | | | | | | | | | | | | | | | | | | | | | | | | | | | | | | | | | | | | | | | | | | | | | | | | | | | | | | | | | | | | | | | | | | | | | | | | | | | | | | | | | | | | | | | | | | | | | | | | | | | | | | | | | | | | | | | | | | | | | | | | | | | | | | | | | | | | | | | | | | | | | | | | | | | | | | | | | | | | | | | |
 | | | | | | | | | | | | | | | | | | | | | | | | | | | | | | | | | | | | | | | | | | |
| 46 | 293 | 30.15 | 8.8 | 1.95 | 5.0 | 3779 | | | | | 285 | 30 | 1.15 | | | GFA159R99
GFAF159R99
GF159R99
GFF159R99 | 4P | | | | | 1.1 | 17344 | | | 1308 | 96 | 1.05 | | | GFA129R79
GFAF129R79
GF129R79
GFF129R79 | 4P | | | 5.8 | 3249 | 245 | 31 | 1.30 | 1.2 | 15501 | 1169 | 101 | 1.15 | | | GFA159R99
GFAF159R99
GF159R99
GFF159R99 | 4P | | | 1.5 | 12637 | 953 | 107 | 1.40 | GFA129R79
GFAF129R79
GF129R79
GFF129R79 | 4P | | | | | 1.7 | 11205 | 845 | 110 | 1.60 | 1.9 | 10130 | 764 | 111 | 1.75 | GFA159R99
GFAF159R99
GF159R99
GFF159R99 | 4P | | | | | 1.7 | 10860 | 819 | 86 | 1.10 | GFA109R79
GFAF109R79
GF109R79
GFF109R79 | 4P | | | | | 2.1 | 9017 | 680 | 113 | 1.95 | 2.5 | 7638 | 576 | 114 | 2.30 | GFA159R99
GFAF159R99
GF159R99
GFF159R99 | 4P | | | | | 2.0 | 9627 | 726 | 86 | 1.25 | GFA129R79
GFAF129R79
GF129R79
GFF129R79 | 4P | | | | | 3.2 | 5914 | 446 | 114 | 3.00 | 4.7 | 4004 | 302 | 114 | 4.40 | GFA159R99
GFAF159R99
GF159R99
GFF159R99 | 4P | | | | | 2.2 | 8579 | 647 | 86 | 1.40 | | GFA109R79
GFAF109R79
GF109R79
GFF109R79 | 4P | | | | 5.2 | 3620 | 273 | 114 | 4.85 | 6.2 | 3076 | 232 | 114 | 5.70 | GFA159R99
GFAF159R99
GF159R99
GFF159R99 | 4P | | | | | 2.6 | 7266 | 548 | 86 | 1.65 | | | GFA109R79
GFAF109R79
GF109R79
GFF109R79 | 4P | | | 7.3 | 2612 | 197 | 114 | 6.90 | 1.3 | 14254 | 1075 | 81 | 0.85 | | | GFA159R99
GFAF159R99
GF159R99
GFF159R99 | 4P | | | 2.9 | 6550 | 494 | 86 | 1.80 | | | GFA109R79
GFAF109R79
GF109R79
GFF109R79 | 4P | | | 1.5 | 12318 | 929 | 85 | 1.00 | 1.7 | 10860 | 819 | 86 | 1.10 | | | GFA159R99
GFAF159R99
GF159R99
GFF159R99 | 4P | |
 | 3.3 | 5675 | 428 | 86 | 2.10 | | | GFA109R79
GFAF109R79
GF109R79
GFF109R79 | 4P | | | 2.0 | 9627 | 726 | 86 | 1.25 | 2.2 | 8579 | 647 | 86 | 1.40 | | GFA159R99
GFAF159R99
GF159R99
GFF159R99 | 4P | | | | 2.2 | 8486 | 640 | 45 | 0.90 | | | GFA99R59
GFAF99R59
GF99R59
GFF99R59 | 4P | | | 2.6 | 7266 | 548 | 86 | 1.65 | 2.9 | 6550 | 494 | 86 | 1.80 | | GFA159R99
GFAF159R99
GF159R99
GFF159R99 | 4P | | | | 2.6 | 7425 | 560 | 48 | 1.05 | | | GFA109R79
GFAF109R79
GF109R79
GFF109R79 | 4P | | | 3.3 | 5675 | 428 | 86 | 2.10 | 3.3 | 5781 | 436 | 51 | 1.35 | | | GFA159R99
GFAF159R99
GF159R99
GFF159R99 | 4P | | | 2.9 | 6484 | 489 | 50 | 1.20 | | | GFA109R79
GFAF109R79
GF109R79
GFF109R79 | 4P | | | 3.9 | 4906 | 370 | 53 | 1.60 | 4.3 | 4416 | 333 | 54 | 1.75 | | | GFA159R99
GFAF159R99
GF159R99
GFF159R99 | 4P | | | 3.9 | 4906 | 370 | 53 | 1.60 | | | GFA109R79
GFAF109R79
GF109R79
GFF109R79 | 4P | | | 5.0 | 3779 | 285 | 30 | 1.15 | 5.8 | 3249 | 245 | 31 | 1.30 | | | GFA159R99
GFAF159R99
GF159R99
GFF159R99 | 4P | | | 4.3 | 4416 | 333 | 54 | 1.75 | | | GFA99R59
GFAF99R59
GF99R59
GFF99R59 | 4P | | | | | | | | | | | | | | | | | | | | | | | | | | | | | | | | | | | |
 | | | | | | | | | | | | | | | | | | | | | | | | | | | | | | | | | | | | | | | | | | | | | | | | | | | | | | | | | | | | | | | | | | | | | | | | | | | | | | | | | | | | | | | | | | | | | | | | | | | | | | | | | | | | | | | | | | | | | | | | | | | | | | | | | | | | | | | | | | | | | | | | | | | | | | | | | | | | | | | | | | | | | | | | | | | |
 | | | | | | | | | | | | | | | | | | | | | | | | | | | | | | | | | | | | | | | | | | | | | | | | | | | | | | | | | | | | | | | | | | | | | | | | | | | | | | | | | | | | | | | | | | | | | | | | | | | | | | | | | | | | | | | | | | | | | | | | | | | | | | | | | | | | | | | | | | | | | | | | | | | | | | | | | | | | | | | | | | | | | | | | | | | |
 | | | | | | | | | | | | | | | | | | | | | | | | | | | | | | | | | | | | | | | | | | | | | | | | | | | | | | | | | | | | | | | | | | | | | | | | | | | | | | | | | | | | | | | | | | | | | | | | | | | | | | | | | | | | | | | | | | | | | | | | | | | | | | | | | | | | | | | | | | | | | | | | | | | | | | | | | | | | | | | | | | | | | | | | | | | | | | | | | | | | | | | | | | | | | | | | | | | | | | | | | | | | | | | | | | | | | | | | | | | | | | | | | |
 | | | | | | | | | | | | | | | | | | | | | | | | | | | | | | | | | | | | | | | | | | |
| 5.0 | 3779 | 285 | 30 | 1.15 | GFA159R99
GFAF159R99
GF159R99
GFF159R99 | 4P | | | | | 1.1 | 17344 | 1308 | | | | | 96 | 1.05 | | | GFA129R79
GFAF129R79
GF129R79
GFF129R79 | 4P | | | | | | | | | | | | | | | | | | | | | | | | | | | | | | | | | | | | | | | | | | | | | | | | | | | | | | | | | | | | | | | | | | | | | | | | | | | | | | | | | | | | | | | | | | | | | | | | | | | | | | | | | | | | | | | | | | | | | | | | | | | | | | | | | | | | | | | | | | | | | | | | | | | | | | | | | | | | | | | | | | | | | | | | | | | | | | | | | | | | | | | | | | | | |
 | | | | | | | | | | | | | | | | | | | | | | | | | | | | | | | | | | | | | | | | | | | | | | | | | | | | | | | | | | | | | | | | | | | | | | | | | | | | | | | | | | | | | | | | | | | | | | | | | | | | | | | | | | | | | | | | | | | | | | | | | | | | | | | | | | | | | | | | | | | | | | | | | | | | | | | | | | | | | | | | | | | | | | | | | | | | | | | | | | | |
 | | | | | | | | | | | | | | | | | | | | | | | | | | | | | | | | | | | | | | | | | | | | | | | | | | | | | | | | | | | | | | | | | | | | | | | | | | | | | | | | | | | | | | | | | | | | | | | | | | | | | | | | | | | | | | | | | | | | | | | | | | | | | | | | | | | | | | | | | | | | | | | | | | | | | | | | | | | | | | | | | | | | | | | | | | | |
 | | | | | | | | | | | | | | | | | | | | | | | | | | | | | | | | | | | | | | | | | | | | | | | | | | | | | | | | | | | | | | | | | | | | | | | | | | | | | | | | | | | | | | | | | | | | | | | | | | | | | | | | | | | | | | | | | | | | | | | | | | | | | | | | | | | | | | | | | | | | | | | | | | | | | | | | | | | | | | | | | | | | | | | | | | | |
 | | | | | | | | | | | | | | | | | | | | | | | | | | | | | | | | | | | | | | | | | | | | | | | | | | | | | | | | | | | | | | | | | | | | | | | | | | | | | | | | | | | | | | | | | | | | | | | | | | | | | | | | | | | | | | | | | | | | | | | | | | | | | | | | | | | | | | | | | | | | | | | | | | | | | | | | | | | | | | | | | | | | | | | | | | | | | | | | | | | | | | | | | | | | | | | | | | | | | | | | | | | | | | | | | | | | | | | | | | | | | | | | | |
 | | | | | | | | | | | | | | | | | | | | | | | | | | | | | | | | | | | | | | | | | | |
| 5.8 | 3249 | 245 | 31 | 1.30 | | | | | 1.2 | 15501 | 1169 | 101 | 1.15 | | | | | GFA159R99
GFAF159R99
GF159R99
GFF159R99 | 4P | | | | | 1.5 | 12637 | 953 | 107 | 1.40 | | | | | GFA129R79
GFAF129R79
GF129R79
GFF129R79 | 4P | 1.7 | 11205 | 845 | 110 | 1.60 | 1.9 | 10130 | 764 | 111 | 1.75 | | | | | GFA159R99
GFAF159R99
GF159R99
GFF159R99 | 4P | 1.7 | 10860 | 819 | 86 | 1.10 | | | | | GFA109R79
GFAF109R79
GF109R79
GFF109R79 | 4P | 2.1 | 9017 | 680 | 113 | 1.95 | 2.5 | 7638 | 576 | 114 | 2.30 | | | GFA159R99
GFAF159R99
GF159R99
GFF159R99 | 4P | | | 2.0 | 9627 | 726 | 86 | 1.25 | | | GFA129R79
GFAF129R79
GF129R79
GFF129R79 | 4P | | | 3.2 | 5914 | 446 | 114 | 3.00 | 4.7 | 4004 | 302 | 114 | 4.40 | | | GFA159R99
GFAF159R99
GF159R99
GFF159R99 | 4P | | | 2.2 | 8579 | 647 | 86 | 1.40 | | | GFA109R79
GFAF109R79
GF109R79
GFF109R79 | 4P | | | 5.2 | 3620 | 273 | 114 | 4.85 | 6.2 | 3076 | 232 | 114 | 5.70 | | | GFA159R99
GFAF159R99
GF159R99
GFF159R99 | 4P | | | 2.6 | 7266 | 548 | 86 | 1.65 | GFA109R79
GFAF109R79
GF109R79
GFF109R79 | | | 4P | | | 7.3 | 2612 | 197 | 114 | 6.90 | 1.3 | 14254 | 1075 | 81 | 0.85 | | | GFA159R99
GFAF159R99
GF159R99
GFF159R99 | 4P | | | 2.9 | 6550 | 494 | 86 | 1.80 | GFA109R79
GFAF109R79
GF109R79
GFF109R79 | 4P | | | | | 1.5 | 12318 | 929 | 85 | 1.00 | 1.7 | 10860 | 819 | 86 | 1.10 | GFA159R99
GFAF159R99
GF159R99
GFF159R99 | 4P | | | | | 3.3 | 5675 | 428 | 86 | 2.10 | GFA109R79
GFAF109R79
GF109R79
GFF109R79 | 4P | | | | | 2.0 | 9627 | 726 | 86 | 1.25 | 2.2 | 8579 | 647 | 86 | 1.40 | GFA159R99
GFAF159R99
GF159R99
GFF159R99 | 4P | | | |
 | 2.2 | 8486 | 640 | 45 | 0.90 | GFA99R59
GFAF99R59
GF99R59
GFF99R59 | 4P | | | | | 2.6 | 7266 | 548 | 86 | 1.65 | 2.9 | 6550 | 494 | 86 | 1.80 | GFA159R99
GFAF159R99
GF159R99
GFF159R99 | | | 4P | | | 2.6 | 7425 | 560 | 48 | 1.05 | GFA109R79
GFAF109R79
GF109R79
GFF109R79 | 4P | | | | | 3.3 | 5675 | 428 | 86 | 2.10 | 3.3 | 5781 | 436 | 51 | 1.35 | GFA159R99
GFAF159R99
GF159R99
GFF159R99 | | | 4P | | | 2.9 | 6484 | 489 | 50 | 1.20 | GFA109R79
GFAF109R79
GF109R79
GFF109R79 | 4P | | | | | 3.9 | 4906 | 370 | 53 | 1.60 | 4.3 | 4416 | 333 | 54 | 1.75 | GFA159R99
GFAF159R99
GF159R99
GFF159R99 | 4P | | | | | 3.9 | 4906 | 370 | 53 | 1.60 | GFA109R79
GFAF109R79
GF109R79
GFF109R79 | 4P | | | | | 5.0 | 3779 | 285 | 30 | 1.15 | 5.8 | 3249 | 245 | 31 | 1.30 | GFA159R99
GFAF159R99
GF159R99
GFF159R99 | 4P | | | | | 4.3 | 4416 | 333 | 54 | 1.75 | GFA99R59
GFAF99R59
GF99R59
GFF99R59 | 4P | | | | | | | | | | | | | | | | | | | | | | | | | | | | | | | | | | | | | | | | | | | | | | | | | | | | | | | | | | | | | | | | |
 | | | | | | | | | | | | | | | | | | | | | | | | | | | | | | | | | | | | | | | | | | | | | | | | | | | | | | | | | | | | | | | | | | | | | | | | | | | | | | | | | | | | | | | | | | | | | | | | | | | | | | | | | | | | | | | | | | | | | | | | | | | | | | | | | | | | | | | | | | | | | | | | | | | | | | | | | | | | | | | | | | | | | | | | | | | |
 | | | | | | | | | | | | | | | | | | | | | | | | | | | | | | | | | | | | | | | | | | | | | | | | | | | | | | | | | | | | | | | | | | | | | | | | | | | | | | | | | | | | | | | | | | | | | | | | | | | | | | | | | | | | | | | | | | | | | | | | | | | | | | | | | | | | | | | | | | | | | | | | | | | | | | | | | | | | | | | | | | | | | | | | | | | |
 | | | | | | | | | | | | | | | | | | | | | | | | | | | | | | | | | | | | | | | | | | | | | | | | | | | | | | | | | | | | | | | | | | | | | | | | | | | | | | | | | | | | | | | | | | | | | | | | | | | | | | | | | | | | | | | | | | | | | | | | | | | | | | | | | | | | | | | | | | | | | | | | | | | | | | | | | | | | | | | | | | | | | | | | | | | | | | | | | | | | | | | | | | | | | | | | | | | | | | | | | | | | | | | | | | | | | | | | | | | | | | | | | |
 | | | | | | | | | | | | | | | | | | | | | | | | | | | | | | | | | | | | | | | | | | |
| 1.2 | 15501 | 1169 | 101 | 1.15 | | | | | GFA159R99
GFAF159R99
GF159R99
GFF159R99 | 4P | 1.5 | 12637 | 953 | 107 | 1.40 | | | | | | | | | GFA129R79
GFAF129R79
GF129R79
GFF129R79 | 4P | | | | | | | | | | | | | | | | | | | | | | | | | | | | | | | | | | | | | | | | | | | | | | | | | | | | | | | | | | | | | | | | | | | | | | | | | | | | | | | | | | | | | | | | | | | | | | | | | | | | | | | | | | | | | | | | | | | | | | | | | | | | | | | | | | | | | | | | | | | | | | | | | | | | | | | | | | | | | | | | | | | | | | | | | | | | | | | | | | | | | | | | | | |
 | | | | | | | | | | | | | | | | | | | | | | | | | | | | | | | | | | | | | | | | | | | | | | | | | | | | | | | | | | | | | | | | | | | | | | | | | | | | | | | | | | | | | | | | | | | | | | | | | | | | | | | | | | | | | | | | | | | | | | | | | | | | | | | | | | | | | | | | | | | | | | | | | | | | | | | | | | | | | | | | | | | | | | | | | | | | | | | | | | | |
 | | | | | | | | | | | | | | | | | | | | | | | | | | | | | | | | | | | | | | | | | | | | | | | | | | | | | | | | | | | | | | | | | | | | | | | | | | | | | | | | | | | | | | | | | | | | | | | | | | | | | | | | | | | | | | | | | | | | | | | | | | | | | | | | | | | | | | | | | | | | | | | | | | | | | | | | | | | | | | | | | | | | | | | | | | | |
 | | | | | | | | | | | | | | | | | | | | | | | | | | | | | | | | | | | | | | | | | | | | | | | | | | | | | | | | | | | | | | | | | | | | | | | | | | | | | | | | | | | | | | | | | | | | | | | | | | | | | | | | | | | | | | | | | | | | | | | | | | | | | | | | | | | | | | | | | | | | | | | | | | | | | | | | | | | | | | | | | | | | | | | | | | | |
 | | | | | | | | | | | | | | | | | | | | | | | | | | | | | | | | | | | | | | | | | | | | | | | | | | | | | | | | | | | | | | | | | | | | | | | | | | | | | | | | | | | | | | | | | | | | | | | | | | | | | | | | | | | | | | | | | | | | | | | | | | | | | | | | | | | | | | | | | | | | | | | | | | | | | | | | | | | | | | | | | | | | | | | | | | | | | | | | | | | | | | | | | | | | | | | | | | | | | | | | | | | | | | | | | | | | | | | | | | | | | | | | | |
 | | | | | | | | | | | | | | | | | | | | | | | | | | | | | | | | | | | | | | | | | | |
| 1.7 | 11205 | 845 | 110 | 1.60 | | | 1.9 | 10130 | | | 764 | 111 | 1.75 | GFA159R99
GFAF159R99
GF159R99
GFF159R99 | 4P | | | | | 1.7 | 10860 | | | | | 819 | 86 | 1.10 | GFA109R79
GFAF109R79
GF109R79
GFF109R79 | 4P | | | | | 2.1 | 9017 | 680 | 113 | 1.95 | 2.5 | 7638 | 576 | 114 | 2.30 | GFA159R99
GFAF159R99
GF159R99
GFF159R99 | 4P | | | | | 2.0 | 9627 | 726 | 86 | 1.25 | | | GFA129R79
GFAF129R79
GF129R79
GFF129R79 | 4P | | | 3.2 | 5914 | 446 | 114 | 3.00 | 4.7 | 4004 | 302 | 114 | 4.40 | | | | | GFA159R99
GFAF159R99
GF159R99
GFF159R99 | 4P | 2.2 | 8579 | 647 | 86 | 1.40 | | | | | GFA109R79
GFAF109R79
GF109R79
GFF109R79 | 4P | 5.2 | 3620 | 273 | 114 | 4.85 | 6.2 | 3076 | 232 | 114 | 5.70 | | | | | GFA159R99
GFAF159R99
GF159R99
GFF159R99 | 4P | 2.6 | 7266 | 548 | 86 | 1.65 | | | | | GFA109R79
GFAF109R79
GF109R79
GFF109R79 | 4P | 7.3 | 2612 | 197 | 114 | 6.90 | 1.3 | 14254 | 1075 | 81 | 0.85 | | | | | GFA159R99
GFAF159R99
GF159R99
GFF159R99 | 4P | 2.9 | 6550 | 494 | 86 | 1.80 | | | | | GFA109R79
GFAF109R79
GF109R79
GFF109R79 | 4P | 1.5 | 12318 | 929 | 85 | 1.00 | 1.7 | 10860 | 819 | 86 | 1.10 | | | | | GFA159R99
GFAF159R99
GF159R99
GFF159R99 | 4P | 3.3 | 5675 | 428 | 86 | 2.10 | | | | | GFA109R79
GFAF109R79
GF109R79
GFF109R79 | 4P | 2.0 | 9627 | 726 | 86 | 1.25 | 2.2 | 8579 | 647 | 86 | 1.40 | | | | | GFA159R99
GFAF159R99
GF159R99
GFF159R99 | 4P | 2.2 | 8486 | 640 | 45 | 0.90 | | | | | GFA99R59
GFAF99R59
GF99R59
GFF99R59 | 4P | 2.6 | 7266 | 548 | 86 | 1.65 | 2.9 | 6550 | 494 | 86 | 1.80 | | | | | GFA159R99
GFAF159R99
GF159R99
GFF159R99 | 4P
 | 2.6 | 7425 | 560 | 48 | 1.05 | | | | | GFA109R79
GFAF109R79
GF109R79
GFF109R79 | 4P | 3.3 | 5675 | 428 | 86 | 2.10 | 3.3 | 5781 | 436 | 51 | 1.35 | | | | | GFA159R99
GFAF159R99
GF159R99
GFF159R99 | 4P | 2.9 | 6484 | 489 | 50 | 1.20 | | | | | GFA109R79
GFAF109R79
GF109R79
GFF109R79 | 4P | 3.9 | 4906 | 370 | 53 | 1.60 | 4.3 | 4416 | 333 | 54 | 1.75 | | | | | GFA159R99
GFAF159R99
GF159R99
GFF159R99 | 4P | 3.9 | 4906 | 370 | 53 | 1.60 | | | | | GFA109R79
GFAF109R79
GF109R79
GFF109R79 | 4P | 5.0 | 3779 | 285 | 30 | 1.15 | 5.8 | 3249 | 245 | 31 | 1.30 | | | | | GFA159R99
GFAF159R99
GF159R99
GFF159R99 | 4P | 4.3 | 4416 | 333 | 54 | 1.75 | | | | | GFA99R59
GFAF99R59
GF99R59
GFF99R59 | 4P | | | | | | | | | | | | | | | | | | | | | | | | | | | | | | | | | | | | | | | | | | | | | | | | | | | | | | | | | | | | | | | | | | | | | | | | | | | | | | | | | | | | | | | | | | | | | | | | | | | | | | | | | | | | | | | | | | | | | | | | | | | | | | | | | | | | | |
 | | | | | | | | | | | | | | | | | | | | | | | | | | | | | | | | | | | | | | | | | | | | | | | | | | | | | | | | | | | | | | | | | | | | | | | | | | | | | | | | | | | | | | | | | | | | | | | | | | | | | | | | | | | | | | | | | | | | | | | | | | | | | | | | | | | | | | | | | | | | | | | | | | | | | | | | | | | | | | | | | | | | | | | | | | | |
 | | | | | | | | | | | | | | | | | | | | | | | | | | | | | | | | | | | | | | | | | | | | | | | | | | | | | | | | | | | | | | | | | | | | | | | | | | | | | | | | | | | | | | | | | | | | | | | | | | | | | | | | | | | | | | | | | | | | | | | | | | | | | | | | | | | | | | | | | | | | | | | | | | | | | | | | | | | | | | | | | | | | | | | | | | | |
 | | | | | | | | | | | | | | | | | | | | | | | | | | | | | | | | | | | | | | | | | | | | | | | | | | | | | | | | | | | | | | | | | | | | | | | | | | | | | | | | | | | | | | | | | | | | | | | | | | | | | | | | | | | | | | | | | | | | | | | | | | | | | | | | | | | | | | | | | | | | | | | | | | | | | | | | | | | | | | | | | | | | | | | | | | | | | | | | | | | | | | | | | | | | | | | | | | | | | | | | | | | | | | | | | | | | | | | | | | | | | | | | | |
 | | | | | | | | | | | | | | | | | | | | | | | | | | | | | | | | | | | | | | | | | | |
| 1.9 | 10130 | 764 | 111 | 1.75 | | | GFA159R99
GFAF159R99
GF159R99
GFF159R99 | 4P | | | 1.7 | 10860 | 819 | | | 86 | 1.10 | | | GFA109R79
GFAF109R79
GF109R79
GFF109R79 | 4P | | | | | | | | | | | | | | | | | | | | | | | | | | | | | | | | | | | | | | | | | | | | | | | | | | | | | | | | | | | | | | | | | | | | | | | | | | | | | | | | | | | | | | | | | | | | | | | | | | | | | | | | | | | | | | | | | | | | | | | | | | | | | | | | | | | | | | | | | | | | | | | | | | | | | | | | | | | | | | | | | | | | | | | | | | | | | | | | | | | | | | | | | | | | | | |
 | | | | | | | | | | | | | | | | | | | | | | | | | | | | | | | | | | | | | | | | | | | | | | | | | | | | | | | | | | | | | | | | | | | | | | | | | | | | | | | | | | | | | | | | | | | | | | | | | | | | | | | | | | | | | | | | | | | | | | | | | | | | | | | | | | | | | | | | | | | | | | | | | | | | | | | | | | | | | | | | | | | | | | | | | | | | | | | | | | | |
 | | | | | | | | | | | | | | | | | | | | | | | | | | | | | | | | | | | | | | | | | | | | | | | | | | | | | | | | | | | | | | | | | | | | | | | | | | | | | | | | | | | | | | | | | | | | | | | | | | | | | | | | | | | | | | | | | | | | | | | | | | | | | | | | | | | | | | | | | | | | | | | | | | | | | | | | | | | | | | | | | | | | | | | | | | | |
 | | | | | | | | | | | | | | | | | | | | | | | | | | | | | | | | | | | | | | | | | | | | | | | | | | | | | | | | | | | | | | | | | | | | | | | | | | | | | | | | | | | | | | | | | | | | | | | | | | | | | | | | | | | | | | | | | | | | | | | | | | | | | | | | | | | | | | | | | | | | | | | | | | | | | | | | | | | | | | | | | | | | | | | | | | | |
 | | | | | | | | | | | | | | | | | | | | | | | | | | | | | | | | | | | | | | | | | | | | | | | | | | | | | | | | | | | | | | | | | | | | | | | | | | | | | | | | | | | | | | | | | | | | | | | | | | | | | | | | | | | | | | | | | | | | | | | | | | | | | | | | | | | | | | | | | | | | | | | | | | | | | | | | | | | | | | | | | | | | | | | | | | | | | | | | | | | | | | | | | | | | | | | | | | | | | | | | | | | | | | | | | | | | | | | | | | | | | | | | | |
 | | | | | | | | | | | | | | | | | | | | | | | | | | | | | | | | | | | | | | | | | | |
| 2.1 | 9017 | 680 | 113 | 1.95 | 2.5 | 7638 | | | | | 576 | 114 | 2.30 | | | GFA159R99
GFAF159R99
GF159R99
GFF159R99 | 4P | | | | | 2.0 | 9627 | | | 726 | 86 | 1.25 | | | GFA129R79
GFAF129R79
GF129R79
GFF129R79 | 4P | | | 3.2 | 5914 | 446 | 114 | 3.00 | 4.7 | 4004 | 302 | 114 | 4.40 | | | GFA159R99
GFAF159R99
GF159R99
GFF159R99 | 4P | | | 2.2 | 8579 | 647 | 86 | 1.40 | GFA109R79
GFAF109R79
GF109R79
GFF109R79 | 4P | | | | | 5.2 | 3620 | 273 | 114 | 4.85 | 6.2 | 3076 | 232 | 114 | 5.70 | GFA159R99
GFAF159R99
GF159R99
GFF159R99 | 4P | | | | | 2.6 | 7266 | 548 | 86 | 1.65 | GFA109R79
GFAF109R79
GF109R79
GFF109R79 | 4P | | | | | 7.3 | 2612 | 197 | 114 | 6.90 | 1.3 | 14254 | 1075 | 81 | 0.85 | GFA159R99
GFAF159R99
GF159R99
GFF159R99 | 4P | | | | | 2.9 | 6550 | 494 | 86 | 1.80 | GFA109R79
GFAF109R79
GF109R79
GFF109R79 | 4P | | | | | 1.5 | 12318 | 929 | 85 | 1.00 | 1.7 | 10860 | 819 | 86 | 1.10 | GFA159R99
GFAF159R99
GF159R99
GFF159R99 | 4P | | | | | 3.3 | 5675 | 428 | 86 | 2.10 | | GFA109R79
GFAF109R79
GF109R79
GFF109R79 | 4P | | | | 2.0 | 9627 | 726 | 86 | 1.25 | 2.2 | 8579 | 647 | 86 | 1.40 | GFA159R99
GFAF159R99
GF159R99
GFF159R99 | 4P | | | | | 2.2 | 8486 | 640 | 45 | 0.90 | | | GFA99R59
GFAF99R59
GF99R59
GFF99R59 | 4P | | | 2.6 | 7266 | 548 | 86 | 1.65 | 2.9 | 6550 | 494 | 86 | 1.80 | | | GFA159R99
GFAF159R99
GF159R99
GFF159R99 | 4P | | | 2.6 | 7425 | 560 | 48 | 1.05 | | | GFA109R79
GFAF109R79
GF109R79
GFF109R79 | 4P | | | 3.3 | 5675 | 428 | 86 | 2.10 | 3.3 | 5781 | 436 | 51 | 1.35 | | | GFA159R99
GFAF159R99
GF159R99
GFF159R99 | 4P | |
 | 2.9 | 6484 | 489 | 50 | 1.20 | | | GFA109R79
GFAF109R79
GF109R79
GFF109R79 | 4P | | | 3.9 | 4906 | 370 | 53 | 1.60 | 4.3 | 4416 | 333 | 54 | 1.75 | | GFA159R99
GFAF159R99
GF159R99
GFF159R99 | 4P | | | | 3.9 | 4906 | 370 | 53 | 1.60 | | | GFA109R79
GFAF109R79
GF109R79
GFF109R79 | 4P | | | 5.0 | 3779 | 285 | 30 | 1.15 | 5.8 | 3249 | 245 | 31 | 1.30 | | GFA159R99
GFAF159R99
GF159R99
GFF159R99 | 4P | | | | 4.3 | 4416 | 333 | 54 | 1.75 | | | GFA99R59
GFAF99R59
GF99R59
GFF99R59 | 4P | | | | | | | | | | | | | | | | | | | | | | | | | | | | | | | | | | | | | | | | | | | | | | | | | | | | | | | | | | | | | | | | | | | | | | | | | | | | | | | | | | | | | | | | | | | | | | | | | | | | | | | | | | | | | | | | | | | | |
 | | | | | | | | | | | | | | | | | | | | | | | | | | | | | | | | | | | | | | | | | | | | | | | | | | | | | | | | | | | | | | | | | | | | | | | | | | | | | | | | | | | | | | | | | | | | | | | | | | | | | | | | | | | | | | | | | | | | | | | | | | | | | | | | | | | | | | | | | | | | | | | | | | | | | | | | | | | | | | | | | | | | | | | | | | | |
 | | | | | | | | | | | | | | | | | | | | | | | | | | | | | | | | | | | | | | | | | | | | | | | | | | | | | | | | | | | | | | | | | | | | | | | | | | | | | | | | | | | | | | | | | | | | | | | | | | | | | | | | | | | | | | | | | | | | | | | | | | | | | | | | | | | | | | | | | | | | | | | | | | | | | | | | | | | | | | | | | | | | | | | | | | | |
 | | | | | | | | | | | | | | | | | | | | | | | | | | | | | | | | | | | | | | | | | | | | | | | | | | | | | | | | | | | | | | | | | | | | | | | | | | | | | | | | | | | | | | | | | | | | | | | | | | | | | | | | | | | | | | | | | | | | | | | | | | | | | | | | | | | | | | | | | | | | | | | | | | | | | | | | | | | | | | | | | | | | | | | | | | | | | | | | | | | | | | | | | | | | | | | | | | | | | | | | | | | | | | | | | | | | | | | | | | | | | | | | | |
 | | | | | | | | | | | | | | | | | | | | | | | | | | | | | | | | | | | | | | | | | | |
| 2.5 | 7638 | 576 | 114 | 2.30 | GFA159R99
GFAF159R99
GF159R99
GFF159R99 | 4P | | | | | 2.0 | 9627 | 726 | | | | | 86 | 1.25 | | | GFA129R79
GFAF129R79
GF129R79
GFF129R79 | 4P | | | | | | | | | | | | | | | | | | | | | | | | | | | | | | | | | | | | | | | | | | | | | | | | | | | | | | | | | | | | | | | | | | | | | | | | | | | | | | | | | | | | | | | | | | | | | | | | | | | | | | | | | | | | | | | | | | | | | | | | | | | | | | | | | | | | | | | | | | | | | | | | | | | | | | | | | | | | | | | | | | | | | | | | | | | | | | | | | | | | | | | | | | | | |
 | | | | | | | | | | | | | | | | | | | | | | | | | | | | | | | | | | | | | | | | | | | | | | | | | | | | | | | | | | | | | | | | | | | | | | | | | | | | | | | | | | | | | | | | | | | | | | | | | | | | | | | | | | | | | | | | | | | | | | | | | | | | | | | | | | | | | | | | | | | | | | | | | | | | | | | | | | | | | | | | | | | | | | | | | | | | | | | | | | | |
 | | | | | | | | | | | | | | | | | | | | | | | | | | | | | | | | | | | | | | | | | | | | | | | | | | | | | | | | | | | | | | | | | | | | | | | | | | | | | | | | | | | | | | | | | | | | | | | | | | | | | | | | | | | | | | | | | | | | | | | | | | | | | | | | | | | | | | | | | | | | | | | | | | | | | | | | | | | | | | | | | | | | | | | | | | | |
 | | | | | | | | | | | | | | | | | | | | | | | | | | | | | | | | | | | | | | | | | | | | | | | | | | | | | | | | | | | | | | | | | | | | | | | | | | | | | | | | | | | | | | | | | | | | | | | | | | | | | | | | | | | | | | | | | | | | | | | | | | | | | | | | | | | | | | | | | | | | | | | | | | | | | | | | | | | | | | | | | | | | | | | | | | | |
 | | | | | | | | | | | | | | | | | | | | | | | | | | | | | | | | | | | | | | | | | | | | | | | | | | | | | | | | | | | | | | | | | | | | | | | | | | | | | | | | | | | | | | | | | | | | | | | | | | | | | | | | | | | | | | | | | | | | | | | | | | | | | | | | | | | | | | | | | | | | | | | | | | | | | | | | | | | | | | | | | | | | | | | | | | | | | | | | | | | | | | | | | | | | | | | | | | | | | | | | | | | | | | | | | | | | | | | | | | | | | | | | | |
 | | | | | | | | | | | | | | | | | | | | | | | | | | | | | | | | | | | | | | | | | | |
| 3.2 | 5914 | 446 | 114 | 3.00 | | | | | 4.7 | 4004 | 302 | 114 | 4.40 | | | | | GFA159R99
GFAF159R99
GF159R99
GFF159R99 | 4P | | | | | 2.2 | 8579 | 647 | 86 | 1.40 | | | | | GFA109R79
GFAF109R79
GF109R79
GFF109R79 | 4P | 5.2 | 3620 | 273 | 114 | 4.85 | 6.2 | 3076 | 232 | 114 | 5.70 | | | | | GFA159R99
GFAF159R99
GF159R99
GFF159R99 | 4P | 2.6 | 7266 | 548 | 86 | 1.65 | | | | | GFA109R79
GFAF109R79
GF109R79
GFF109R79 | 4P | 7.3 | 2612 | 197 | 114 | 6.90 | 1.3 | 14254 | 1075 | 81 | 0.85 | | | GFA159R99
GFAF159R99
GF159R99
GFF159R99 | 4P | | | 2.9 | 6550 | 494 | 86 | 1.80 | | | GFA109R79
GFAF109R79
GF109R79
GFF109R79 | 4P | | | 1.5 | 12318 | 929 | 85 | 1.00 | 1.7 | 10860 | 819 | 86 | 1.10 | | | GFA159R99
GFAF159R99
GF159R99
GFF159R99 | 4P | | | 3.3 | 5675 | 428 | 86 | 2.10 | | | GFA109R79
GFAF109R79
GF109R79
GFF109R79 | 4P | | | 2.0 | 9627 | 726 | 86 | 1.25 | 2.2 | 8579 | 647 | 86 | 1.40 | | | GFA159R99
GFAF159R99
GF159R99
GFF159R99 | 4P | | | 2.2 | 8486 | 640 | 45 | 0.90 | GFA99R59
GFAF99R59
GF99R59
GFF99R59 | | | 4P | | | 2.6 | 7266 | 548 | 86 | 1.65 | 2.9 | 6550 | 494 | 86 | 1.80 | | | GFA159R99
GFAF159R99
GF159R99
GFF159R99 | 4P | | | 2.6 | 7425 | 560 | 48 | 1.05 | GFA109R79
GFAF109R79
GF109R79
GFF109R79 | 4P | | | | | 3.3 | 5675 | 428 | 86 | 2.10 | 3.3 | 5781 | 436 | 51 | 1.35 | GFA159R99
GFAF159R99
GF159R99
GFF159R99 | 4P | | | | | 2.9 | 6484 | 489 | 50 | 1.20 | GFA109R79
GFAF109R79
GF109R79
GFF109R79 | 4P | | | | | 3.9 | 4906 | 370 | 53 | 1.60 | 4.3 | 4416 | 333 | 54 | 1.75 | GFA159R99
GFAF159R99
GF159R99
GFF159R99 | 4P | | | |
 | 3.9 | 4906 | 370 | 53 | 1.60 | GFA109R79
GFAF109R79
GF109R79
GFF109R79 | 4P | | | | | 5.0 | 3779 | 285 | 30 | 1.15 | 5.8 | 3249 | 245 | 31 | 1.30 | GFA159R99
GFAF159R99
GF159R99
GFF159R99 | | | 4P | | | 4.3 | 4416 | 333 | 54 | 1.75 | GFA99R59
GFAF99R59
GF99R59
GFF99R59 | 4P | | | | | | | | | | | | | | | | | | | | | | | | | | | | | | | | | | | | | | | | | | | | | | | | | | | | | | | | | | | | | | | | | | | | | | | | | | | | | | | | | | | | | | | | | | | | | | | | | | | | | | | | | | | | | | | | | | | | | | | | | | | | | | | | | | | | | | | | | | | | | | | | | |
 | | | | | | | | | | | | | | | | | | | | | | | | | | | | | | | | | | | | | | | | | | | | | | | | | | | | | | | | | | | | | | | | | | | | | | | | | | | | | | | | | | | | | | | | | | | | | | | | | | | | | | | | | | | | | | | | | | | | | | | | | | | | | | | | | | | | | | | | | | | | | | | | | | | | | | | | | | | | | | | | | | | | | | | | | | | |
 | | | | | | | | | | | | | | | | | | | | | | | | | | | | | | | | | | | | | | | | | | | | | | | | | | | | | | | | | | | | | | | | | | | | | | | | | | | | | | | | | | | | | | | | | | | | | | | | | | | | | | | | | | | | | | | | | | | | | | | | | | | | | | | | | | | | | | | | | | | | | | | | | | | | | | | | | | | | | | | | | | | | | | | | | | | |
 | | | | | | | | | | | | | | | | | | | | | | | | | | | | | | | | | | | | | | | | | | | | | | | | | | | | | | | | | | | | | | | | | | | | | | | | | | | | | | | | | | | | | | | | | | | | | | | | | | | | | | | | | | | | | | | | | | | | | | | | | | | | | | | | | | | | | | | | | | | | | | | | | | | | | | | | | | | | | | | | | | | | | | | | | | | | | | | | | | | | | | | | | | | | | | | | | | | | | | | | | | | | | | | | | | | | | | | | | | | | | | | | | |
 | | | | | | | | | | | | | | | | | | | | | | | | | | | | | | | | | | | | | | | | | | |
| 4.7 | 4004 | 302 | 114 | 4.40 | | | | | GFA159R99
GFAF159R99
GF159R99
GFF159R99 | 4P | 2.2 | 8579 | 647 | 86 | 1.40 | | | | | | | | | GFA109R79
GFAF109R79
GF109R79
GFF109R79 | 4P | | | | | | | | | | | | | | | | | | | | | | | | | | | | | | | | | | | | | | | | | | | | | | | | | | | | | | | | | | | | | | | | | | | | | | | | | | | | | | | | | | | | | | | | | | | | | | | | | | | | | | | | | | | | | | | | | | | | | | | | | | | | | | | | | | | | | | | | | | | | | | | | | | | | | | | | | | | | | | | | | | | | | | | | | | | | | | | | | | | | | | | | | | |
 | | | | | | | | | | | | | | | | | | | | | | | | | | | | | | | | | | | | | | | | | | | | | | | | | | | | | | | | | | | | | | | | | | | | | | | | | | | | | | | | | | | | | | | | | | | | | | | | | | | | | | | | | | | | | | | | | | | | | | | | | | | | | | | | | | | | | | | | | | | | | | | | | | | | | | | | | | | | | | | | | | | | | | | | | | | | | | | | | | | |
 | | | | | | | | | | | | | | | | | | | | | | | | | | | | | | | | | | | | | | | | | | | | | | | | | | | | | | | | | | | | | | | | | | | | | | | | | | | | | | | | | | | | | | | | | | | | | | | | | | | | | | | | | | | | | | | | | | | | | | | | | | | | | | | | | | | | | | | | | | | | | | | | | | | | | | | | | | | | | | | | | | | | | | | | | | | |
 | | | | | | | | | | | | | | | | | | | | | | | | | | | | | | | | | | | | | | | | | | | | | | | | | | | | | | | | | | | | | | | | | | | | | | | | | | | | | | | | | | | | | | | | | | | | | | | | | | | | | | | | | | | | | | | | | | | | | | | | | | | | | | | | | | | | | | | | | | | | | | | | | | | | | | | | | | | | | | | | | | | | | | | | | | | |
 | | | | | | | | | | | | | | | | | | | | | | | | | | | | | | | | | | | | | | | | | | | | | | | | | | | | | | | | | | | | | | | | | | | | | | | | | | | | | | | | | | | | | | | | | | | | | | | | | | | | | | | | | | | | | | | | | | | | | | | | | | | | | | | | | | | | | | | | | | | | | | | | | | | | | | | | | | | | | | | | | | | | | | | | | | | | | | | | | | | | | | | | | | | | | | | | | | | | | | | | | | | | | | | | | | | | | | | | | | | | | | | | | |
 | | | | | | | | | | | | | | | | | | | | | | | | | | | | | | | | | | | | | | | | | | |
| 5.2 | 3620 | 273 | 114 | 4.85 | | | 6.2 | 3076 | | | 232 | 114 | 5.70 | GFA159R99
GFAF159R99
GF159R99
GFF159R99 | 4P | | | | | 2.6 | 7266 | | | | | 548 | 86 | 1.65 | GFA109R79
GFAF109R79
GF109R79
GFF109R79 | 4P | | | | | 7.3 | 2612 | 197 | 114 | 6.90 | 1.3 | 14254 | 1075 | 81 | 0.85 | GFA159R99
GFAF159R99
GF159R99
GFF159R99 | 4P | | | | | 2.9 | 6550 | 494 | 86 | 1.80 | | | GFA109R79
GFAF109R79
GF109R79
GFF109R79 | 4P | | | 1.5 | 12318 | 929 | 85 | 1.00 | 1.7 | 10860 | 819 | 86 | 1.10 | | | | | GFA159R99
GFAF159R99
GF159R99
GFF159R99 | 4P | 3.3 | 5675 | 428 | 86 | 2.10 | | | | | GFA109R79
GFAF109R79
GF109R79
GFF109R79 | 4P | 2.0 | 9627 | 726 | 86 | 1.25 | 2.2 | 8579 | 647 | 86 | 1.40 | | | | | GFA159R99
GFAF159R99
GF159R99
GFF159R99 | 4P | 2.2 | 8486 | 640 | 45 | 0.90 | | | | | GFA99R59
GFAF99R59
GF99R59
GFF99R59 | 4P | 2.6 | 7266 | 548 | 86 | 1.65 | 2.9 | 6550 | 494 | 86 | 1.80 | | | | | GFA159R99
GFAF159R99
GF159R99
GFF159R99 | 4P | 2.6 | 7425 | 560 | 48 | 1.05 | | | | | GFA109R79
GFAF109R79
GF109R79
GFF109R79 | 4P | 3.3 | 5675 | 428 | 86 | 2.10 | 3.3 | 5781 | 436 | 51 | 1.35 | | | | | GFA159R99
GFAF159R99
GF159R99
GFF159R99 | 4P | 2.9 | 6484 | 489 | 50 | 1.20 | | | | | GFA109R79
GFAF109R79
GF109R79
GFF109R79 | 4P | 3.9 | 4906 | 370 | 53 | 1.60 | 4.3 | 4416 | 333 | 54 | 1.75 | | | | | GFA159R99
GFAF159R99
GF159R99
GFF159R99 | 4P | 3.9 | 4906 | 370 | 53 | 1.60 | | | | | GFA109R79
GFAF109R79
GF109R79
GFF109R79 | 4P | 5.0 | 3779 | 285 | 30 | 1.15 | 5.8 | 3249 | 245 | 31 | 1.30 | | | | | GFA159R99
GFAF159R99
GF159R99
GFF159R99 | 4P
 | 4.3 | 4416 | 333 | 54 | 1.75 | | | | | GFA99R59
GFAF99R59
GF99R59
GFF99R59 | 4P | | | | | | | | | | | | | | | | | | | | | | | | | | | | | | | | | | | | | | | | | | | | | | | | | | | | | | | | | | | | | | | | | | | | | | | | | | | | | | | | | | | | | | | | | | | | | | | | | | | | | | | | | | | | | | | | | | | | | | | | | | | | | | | | | | | | | | | | | | | | | | | | | | | | | | | | | | | | | | | | | | | | | | | | | | | | | | | | | | | | | | | | | | | | | | | | | | | | | | | | | | | | | | | | | | | | | | |
 | | | | | | | | | | | | | | | | | | | | | | | | | | | | | | | | | | | | | | | | | | | | | | | | | | | | | | | | | | | | | | | | | | | | | | | | | | | | | | | | | | | | | | | | | | | | | | | | | | | | | | | | | | | | | | | | | | | | | | | | | | | | | | | | | | | | | | | | | | | | | | | | | | | | | | | | | | | | | | | | | | | | | | | | | | | |
 | | | | | | | | | | | | | | | | | | | | | | | | | | | | | | | | | | | | | | | | | | | | | | | | | | | | | | | | | | | | | | | | | | | | | | | | | | | | | | | | | | | | | | | | | | | | | | | | | | | | | | | | | | | | | | | | | | | | | | | | | | | | | | | | | | | | | | | | | | | | | | | | | | | | | | | | | | | | | | | | | | | | | | | | | | | |
 | | | | | | | | | | | | | | | | | | | | | | | | | | | | | | | | | | | | | | | | | | | | | | | | | | | | | | | | | | | | | | | | | | | | | | | | | | | | | | | | | | | | | | | | | | | | | | | | | | | | | | | | | | | | | | | | | | | | | | | | | | | | | | | | | | | | | | | | | | | | | | | | | | | | | | | | | | | | | | | | | | | | | | | | | | | | | | | | | | | | | | | | | | | | | | | | | | | | | | | | | | | | | | | | | | | | | | | | | | | | | | | | | |
 | | | | | | | | | | | | | | | | | | | | | | | | | | | | | | | | | | | | | | | | | | |
| 6.2 | 3076 | 232 | 114 | 5.70 | | | GFA159R99
GFAF159R99
GF159R99
GFF159R99 | 4P | | | 2.6 | 7266 | 548 | | | 86 | 1.65 | | | GFA109R79
GFAF109R79
GF109R79
GFF109R79 | 4P | | | | | | | | | | | | | | | | | | | | | | | | | | | | | | | | | | | | | | | | | | | | | | | | | | | | | | | | | | | | | | | | | | | | | | | | | | | | | | | | | | | | | | | | | | | | | | | | | | | | | | | | | | | | | | | | | | | | | | | | | | | | | | | | | | | | | | | | | | | | | | | | | | | | | | | | | | | | | | | | | | | | | | | | | | | | | | | | | | | | | | | | | | | | | | |
 | | | | | | | | | | | | | | | | | | | | | | | | | | | | | | | | | | | | | | | | | | | | | | | | | | | | | | | | | | | | | | | | | | | | | | | | | | | | | | | | | | | | | | | | | | | | | | | | | | | | | | | | | | | | | | | | | | | | | | | | | | | | | | | | | | | | | | | | | | | | | | | | | | | | | | | | | | | | | | | | | | | | | | | | | | | | | | | | | | | |
 | | | | | | | | | | | | | | | | | | | | | | | | | | | | | | | | | | | | | | | | | | | | | | | | | | | | | | | | | | | | | | | | | | | | | | | | | | | | | | | | | | | | | | | | | | | | | | | | | | | | | | | | | | | | | | | | | | | | | | | | | | | | | | | | | | | | | | | | | | | | | | | | | | | | | | | | | | | | | | | | | | | | | | | | | | | |
 | | | | | | | | | | | | | | | | | | | | | | | | | | | | | | | | | | | | | | | | | | | | | | | | | | | | | | | | | | | | | | | | | | | | | | | | | | | | | | | | | | | | | | | | | | | | | | | | | | | | | | | | | | | | | | | | | | | | | | | | | | | | | | | | | | | | | | | | | | | | | | | | | | | | | | | | | | | | | | | | | | | | | | | | | | | |
 | | | | | | | | | | | | | | | | | | | | | | | | | | | | | | | | | | | | | | | | | | | | | | | | | | | | | | | | | | | | | | | | | | | | | | | | | | | | | | | | | | | | | | | | | | | | | | | | | | | | | | | | | | | | | | | | | | | | | | | | | | | | | | | | | | | | | | | | | | | | | | | | | | | | | | | | | | | | | | | | | | | | | | | | | | | | | | | | | | | | | | | | | | | | | | | | | | | | | | | | | | | | | | | | | | | | | | | | | | | | | | | | | |
 | | | | | | | | | | | | | | | | | | | | | | | | | | | | | | | | | | | | | | | | | | |
| 7.3 | 2612 | 197 | 114 | 6.90 | 1.3 | 14254 | | | | | 1075 | 81 | 0.85 | | | GFA159R99
GFAF159R99
GF159R99
GFF159R99 | 4P | | | | | 2.9 | 6550 | | | 494 | 86 | 1.80 | | | GFA109R79
GFAF109R79
GF109R79
GFF109R79 | 4P | | | 1.5 | 12318 | 929 | 85 | 1.00 | 1.7 | 10860 | 819 | 86 | 1.10 | | | GFA159R99
GFAF159R99
GF159R99
GFF159R99 | 4P | | | 3.3 | 5675 | 428 | 86 | 2.10 | GFA109R79
GFAF109R79
GF109R79
GFF109R79 | 4P | | | | | 2.0 | 9627 | 726 | 86 | 1.25 | 2.2 | 8579 | 647 | 86 | 1.40 | GFA159R99
GFAF159R99
GF159R99
GFF159R99 | 4P | | | | | 2.2 | 8486 | 640 | 45 | 0.90 | GFA99R59
GFAF99R59
GF99R59
GFF99R59 | 4P | | | | | 2.6 | 7266 | 548 | 86 | 1.65 | 2.9 | 6550 | 494 | 86 | 1.80 | GFA159R99
GFAF159R99
GF159R99
GFF159R99 | 4P | | | | | 2.6 | 7425 | 560 | 48 | 1.05 | GFA109R79
GFAF109R79
GF109R79
GFF109R79 | 4P | | | | | 3.3 | 5675 | 428 | 86 | 2.10 | 3.3 | 5781 | 436 | 51 | 1.35 | GFA159R99
GFAF159R99
GF159R99
GFF159R99 | 4P | | | | | 2.9 | 6484 | 489 | 50 | 1.20 | | GFA109R79
GFAF109R79
GF109R79
GFF109R79 | 4P | | | | 3.9 | 4906 | 370 | 53 | 1.60 | 4.3 | 4416 | 333 | 54 | 1.75 | GFA159R99
GFAF159R99
GF159R99
GFF159R99 | 4P | | | | | 3.9 | 4906 | 370 | 53 | 1.60 | | | GFA109R79
GFAF109R79
GF109R79
GFF109R79 | 4P | | | 5.0 | 3779 | 285 | 30 | 1.15 | 5.8 | 3249 | 245 | 31 | 1.30 | | | GFA159R99
GFAF159R99
GF159R99
GFF159R99 | 4P | | | 4.3 | 4416 | 333 | 54 | 1.75 | | | GFA99R59
GFAF99R59
GF99R59
GFF99R59 | 4P | | | | | | | | | | | | | | | | | |
 | | | | | | | | | | | | | | | | | | | | | | | | | | | | | | | | | | | | | | | | | | | | | | | | | | | | | | | | | | | | | | | | | | | | | | | | | | | | | | | | | | | | | | | | | | | | | | | | | | | | | | | | | | | | | | | | | | | | | | | | | | | | | | | | | | | | | | | | | | | | | | | | | | | | | | | | | | | | | | | | | | | | | | | | | | | | | | | | | | | |
 | | | | | | | | | | | | | | | | | | | | | | | | | | | | | | | | | | | | | | | | | | | | | | | | | | | | | | | | | | | | | | | | | | | | | | | | | | | | | | | | | | | | | | | | | | | | | | | | | | | | | | | | | | | | | | | | | | | | | | | | | | | | | | | | | | | | | | | | | | | | | | | | | | | | | | | | | | | | | | | | | | | | | | | | | | | |
 | | | | | | | | | | | | | | | | | | | | | | | | | | | | | | | | | | | | | | | | | | | | | | | | | | | | | | | | | | | | | | | | | | | | | | | | | | | | | | | | | | | | | | | | | | | | | | | | | | | | | | | | | | | | | | | | | | | | | | | | | | | | | | | | | | | | | | | | | | | | | | | | | | | | | | | | | | | | | | | | | | | | | | | | | | | |
 | | | | | | | | | | | | | | | | | | | | | | | | | | | | | | | | | | | | | | | | | | | | | | | | | | | | | | | | | | | | | | | | | | | | | | | | | | | | | | | | | | | | | | | | | | | | | | | | | | | | | | | | | | | | | | | | | | | | | | | | | | | | | | | | | | | | | | | | | | | | | | | | | | | | | | | | | | | | | | | | | | | | | | | | | | | | | | | | | | | | | | | | | | | | | | | | | | | | | | | | | | | | | | | | | | | | | | | | | | | | | | | | | |
 | | | | | | | | | | | | | | | | | | | | | | | | | | | | | | | | | | | | | | | | | | |
| 1.3 | 14254 | 1075 | 81 | 0.85 | GFA159R99
GFAF159R99
GF159R99
GFF159R99 | 4P | | | | | 2.9 | 6550 | 494 | | | | | 86 | 1.80 | | | GFA109R79
GFAF109R79
GF109R79
GFF109R79 | 4P | | | | | | | | | | | | | | | | | | | | | | | | | | | | | | | | | | | | | | | | | | | | | | | | | | | | | | | | | | | | | | | | | | | | | | | | | | | | | | | | | | | | | | | | | | | | | | | | | | | | | | | | | | | | | | | | | | | | | | | | | | | | | | | | | | | | | | | | | | | | | | | | | | | | | | | | | | | | | | | | | | | | | | | | | | | | | | | | | | | | | | | | | | | | |
 | | | | | | | | | | | | | | | | | | | | | | | | | | | | | | | | | | | | | | | | | | | | | | | | | | | | | | | | | | | | | | | | | | | | | | | | | | | | | | | | | | | | | | | | | | | | | | | | | | | | | | | | | | | | | | | | | | | | | | | | | | | | | | | | | | | | | | | | | | | | | | | | | | | | | | | | | | | | | | | | | | | | | | | | | | | | | | | | | | | |
 | | | | | | | | | | | | | | | | | | | | | | | | | | | | | | | | | | | | | | | | | | | | | | | | | | | | | | | | | | | | | | | | | | | | | | | | | | | | | | | | | | | | | | | | | | | | | | | | | | | | | | | | | | | | | | | | | | | | | | | | | | | | | | | | | | | | | | | | | | | | | | | | | | | | | | | | | | | | | | | | | | | | | | | | | | | |
 | | | | | | | | | | | | | | | | | | | | | | | | | | | | | | | | | | | | | | | | | | | | | | | | | | | | | | | | | | | | | | | | | | | | | | | | | | | | | | | | | | | | | | | | | | | | | | | | | | | | | | | | | | | | | | | | | | | | | | | | | | | | | | | | | | | | | | | | | | | | | | | | | | | | | | | | | | | | | | | | | | | | | | | | | | | |
 | | | | | | | | | | | | | | | | | | | | | | | | | | | | | | | | | | | | | | | | | | | | | | | | | | | | | | | | | | | | | | | | | | | | | | | | | | | | | | | | | | | | | | | | | | | | | | | | | | | | | | | | | | | | | | | | | | | | | | | | | | | | | | | | | | | | | | | | | | | | | | | | | | | | | | | | | | | | | | | | | | | | | | | | | | | | | | | | | | | | | | | | | | | | | | | | | | | | | | | | | | | | | | | | | | | | | | | | | | | | | | | | | |
 | | | | | | | | | | | | | | | | | | | | | | | | | | | | | | | | | | | | | | | | | | |
| 1.5 | 12318 | 929 | 85 | 1.00 | | | | | 1.7 | 10860 | 819 | 86 | 1.10 | | | | | GFA159R99
GFAF159R99
GF159R99
GFF159R99 | 4P | | | | | 3.3 | 5675 | 428 | 86 | 2.10 | | | | | GFA109R79
GFAF109R79
GF109R79
GFF109R79 | 4P | 2.0 | 9627 | 726 | 86 | 1.25 | 2.2 | 8579 | 647 | 86 | 1.40 | | | | | GFA159R99
GFAF159R99
GF159R99
GFF159R99 | 4P | 2.2 | 8486 | 640 | 45 | 0.90 | | | | | GFA99R59
GFAF99R59
GF99R59
GFF99R59 | 4P | 2.6 | 7266 | 548 | 86 | 1.65 | 2.9 | 6550 | 494 | 86 | 1.80 | | | GFA159R99
GFAF159R99
GF159R99
GFF159R99 | 4P | | | 2.6 | 7425 | 560 | 48 | 1.05 | | | GFA109R79
GFAF109R79
GF109R79
GFF109R79 | 4P | | | 3.3 | 5675 | 428 | 86 | 2.10 | 3.3 | 5781 | 436 | 51 | 1.35 | | | GFA159R99
GFAF159R99
GF159R99
GFF159R99 | 4P | | | 2.9 | 6484 | 489 | 50 | 1.20 | | | GFA109R79
GFAF109R79
GF109R79
GFF109R79 | 4P | | | 3.9 | 4906 | 370 | 53 | 1.60 | 4.3 | 4416 | 333 | 54 | 1.75 | | | GFA159R99
GFAF159R99
GF159R99
GFF159R99 | 4P | | | 3.9 | 4906 | 370 | 53 | 1.60 | GFA109R79
GFAF109R79
GF109R79
GFF109R79 | | | 4P | | | 5.0 | 3779 | 285 | 30 | 1.15 | 5.8 | 3249 | 245 | 31 | 1.30 | | | GFA159R99
GFAF159R99
GF159R99
GFF159R99 | 4P | | | 4.3 | 4416 | 333 | 54 | 1.75 | GFA99R59
GFAF99R59
GF99R59
GFF99R59 | 4P | | | | | | | | | | | | | | | | | | | | | | | | | | | | | | | | | | | | | | | | | | | | | | |
 | | | | | | | | | | | | | | | | | | | | | | | | | | | | | | | | | | | | | | | | | | | | | | | | | | | | | | | | | | | | | | | | | | | | | | | | | | | | | | | | | | | | | | | | | | | | | | | | | | | | | | | | | | | | | | | | | | | | | | | | | | | | | | | | | | | | | | | | | | | | | | | | | | | | | | | | | | | | | | | | | | | | | | | | | | | | | | | | | | | |
 | | | | | | | | | | | | | | | | | | | | | | | | | | | | | | | | | | | | | | | | | | | | | | | | | | | | | | | | | | | | | | | | | | | | | | | | | | | | | | | | | | | | | | | | | | | | | | | | | | | | | | | | | | | | | | | | | | | | | | | | | | | | | | | | | | | | | | | | | | | | | | | | | | | | | | | | | | | | | | | | | | | | | | | | | | | |
 | | | | | | | | | | | | | | | | | | | | | | | | | | | | | | | | | | | | | | | | | | | | | | | | | | | | | | | | | | | | | | | | | | | | | | | | | | | | | | | | | | | | | | | | | | | | | | | | | | | | | | | | | | | | | | | | | | | | | | | | | | | | | | | | | | | | | | | | | | | | | | | | | | | | | | | | | | | | | | | | | | | | | | | | | | | |
 | | | | | | | | | | | | | | | | | | | | | | | | | | | | | | | | | | | | | | | | | | | | | | | | | | | | | | | | | | | | | | | | | | | | | | | | | | | | | | | | | | | | | | | | | | | | | | | | | | | | | | | | | | | | | | | | | | | | | | | | | | | | | | | | | | | | | | | | | | | | | | | | | | | | | | | | | | | | | | | | | | | | | | | | | | | | | | | | | | | | | | | | | | | | | | | | | | | | | | | | | | | | | | | | | | | | | | | | | | | | | | | | | |
 | | | | | | | | | | | | | | | | | | | | | | | | | | | | | | | | | | | | | | | | | | |
| 1.7 | 10860 | 819 | 86 | 1.10 | | | | | GFA159R99
GFAF159R99
GF159R99
GFF159R99 | 4P | 3.3 | 5675 | 428 | 86 | 2.10 | | | | | | | | | GFA109R79
GFAF109R79
GF109R79
GFF109R79 | 4P | | | | | | | | | | | | | | | | | | | | | | | | | | | | | | | | | | | | | | | | | | | | | | | | | | | | | | | | | | | | | | | | | | | | | | | | | | | | | | | | | | | | | | | | | | | | | | | | | | | | | | | | | | | | | | | | | | | | | | | | | | | | | | | | | | | | | | | | | | | | | | | | | | | | | | | | | | | | | | | | | | | | | | | | | | | | | | | | | | | | | | | | | | |
 | | | | | | | | | | | | | | | | | | | | | | | | | | | | | | | | | | | | | | | | | | | | | | | | | | | | | | | | | | | | | | | | | | | | | | | | | | | | | | | | | | | | | | | | | | | | | | | | | | | | | | | | | | | | | | | | | | | | | | | | | | | | | | | | | | | | | | | | | | | | | | | | | | | | | | | | | | | | | | | | | | | | | | | | | | | | | | | | | | | |
 | | | | | | | | | | | | | | | | | | | | | | | | | | | | | | | | | | | | | | | | | | | | | | | | | | | | | | | | | | | | | | | | | | | | | | | | | | | | | | | | | | | | | | | | | | | | | | | | | | | | | | | | | | | | | | | | | | | | | | | | | | | | | | | | | | | | | | | | | | | | | | | | | | | | | | | | | | | | | | | | | | | | | | | | | | | |
 | | | | | | | | | | | | | | | | | | | | | | | | | | | | | | | | | | | | | | | | | | | | | | | | | | | | | | | | | | | | | | | | | | | | | | | | | | | | | | | | | | | | | | | | | | | | | | | | | | | | | | | | | | | | | | | | | | | | | | | | | | | | | | | | | | | | | | | | | | | | | | | | | | | | | | | | | | | | | | | | | | | | | | | | | | | |
 | | | | | | | | | | | | | | | | | | | | | | | | | | | | | | | | | | | | | | | | | | | | | | | | | | | | | | | | | | | | | | | | | | | | | | | | | | | | | | | | | | | | | | | | | | | | | | | | | | | | | | | | | | | | | | | | | | | | | | | | | | | | | | | | | | | | | | | | | | | | | | | | | | | | | | | | | | | | | | | | | | | | | | | | | | | | | | | | | | | | | | | | | | | | | | | | | | | | | | | | | | | | | | | | | | | | | | | | | | | | | | | | | |
 | | | | | | | | | | | | | | | | | | | | | | | | | | | | | | | | | | | | | | | | | | |
| 2.0 | 9627 | 726 | 86 | 1.25 | | | 2.2 | 8579 | | | 647 | 86 | 1.40 | GFA159R99
GFAF159R99
GF159R99
GFF159R99 | 4P | | | | | 2.2 | 8486 | | | | | 640 | 45 | 0.90 | GFA99R59
GFAF99R59
GF99R59
GFF99R59 | 4P | | | | | 2.6 | 7266 | 548 | 86 | 1.65 | 2.9 | 6550 | 494 | 86 | 1.80 | GFA159R99
GFAF159R99
GF159R99
GFF159R99 | 4P | | | | | 2.6 | 7425 | 560 | 48 | 1.05 | | | GFA109R79
GFAF109R79
GF109R79
GFF109R79 | 4P | | | 3.3 | 5675 | 428 | 86 | 2.10 | 3.3 | 5781 | 436 | 51 | 1.35 | | | | | GFA159R99
GFAF159R99
GF159R99
GFF159R99 | 4P | 2.9 | 6484 | 489 | 50 | 1.20 | | | | | GFA109R79
GFAF109R79
GF109R79
GFF109R79 | 4P | 3.9 | 4906 | 370 | 53 | 1.60 | 4.3 | 4416 | 333 | 54 | 1.75 | | | | | GFA159R99
GFAF159R99
GF159R99
GFF159R99 | 4P | 3.9 | 4906 | 370 | 53 | 1.60 | | | | | GFA109R79
GFAF109R79
GF109R79
GFF109R79 | 4P | 5.0 | 3779 | 285 | 30 | 1.15 | 5.8 | 3249 | 245 | 31 | 1.30 | | | | | GFA159R99
GFAF159R99
GF159R99
GFF159R99 | 4P | 4.3 | 4416 | 333 | 54 | 1.75 | | | | | GFA99R59
GFAF99R59
GF99R59
GFF99R59 | 4P | | | | | | | | | | | | | | | | | | | | | | | | | | | | | | | | | | | | | | | | | | | | | | | | | | | | | | | | | | | | | | | | | | | | | |
 | | | | | | | | | | | | | | | | | | | | | | | | | | | | | | | | | | | | | | | | | | | | | | | | | | | | | | | | | | | | | | | | | | | | | | | | | | | | | | | | | | | | | | | | | | | | | | | | | | | | | | | | | | | | | | | | | | | | | | | | | | | | | | | | | | | | | | | | | | | | | | | | | | | | | | | | | | | | | | | | | | | | | | | | | | | | | | | | | | | |
 | | | | | | | | | | | | | | | | | | | | | | | | | | | | | | | | | | | | | | | | | | | | | | | | | | | | | | | | | | | | | | | | | | | | | | | | | | | | | | | | | | | | | | | | | | | | | | | | | | | | | | | | | | | | | | | | | | | | | | | | | | | | | | | | | | | | | | | | | | | | | | | | | | | | | | | | | | | | | | | | | | | | | | | | | | | |
 | | | | | | | | | | | | | | | | | | | | | | | | | | | | | | | | | | | | | | | | | | | | | | | | | | | | | | | | | | | | | | | | | | | | | | | | | | | | | | | | | | | | | | | | | | | | | | | | | | | | | | | | | | | | | | | | | | | | | | | | | | | | | | | | | | | | | | | | | | | | | | | | | | | | | | | | | | | | | | | | | | | | | | | | | | | |
 | | | | | | | | | | | | | | | | | | | | | | | | | | | | | | | | | | | | | | | | | | | | | | | | | | | | | | | | | | | | | | | | | | | | | | | | | | | | | | | | | | | | | | | | | | | | | | | | | | | | | | | | | | | | | | | | | | | | | | | | | | | | | | | | | | | | | | | | | | | | | | | | | | | | | | | | | | | | | | | | | | | | | | | | | | | | | | | | | | | | | | | | | | | | | | | | | | | | | | | | | | | | | | | | | | | | | | | | | | | | | | | | | |
 | | | | | | | | | | | | | | | | | | | | | | | | | | | | | | | | | | | | | | | | | | |
| 2.2 | 8579 | 647 | 86 | 1.40 | | | GFA159R99
GFAF159R99
GF159R99
GFF159R99 | 4P | | | 2.2 | 8486 | 640 | | | 45 | 0.90 | | | GFA99R59
GFAF99R59
GF99R59
GFF99R59 | 4P | | | | | | | | | | | | | | | | | | | | | | | | | | | | | | | | | | | | | | | | | | | | | | | | | | | | | | | | | | | | | | | | | | | | | | | | | | | | | | | | | | | | | | | | | | | | | | | | | | | | | | | | | | | | | | | | | | | | | | | | | | | | | | | | | | | | | | | | | | | | | | | | | | | | | | | | | | | | | | | | | | | | | | | | | | | | | | | | | | | | | | | | | | | | | | |
 | | | | | | | | | | | | | | | | | | | | | | | | | | | | | | | | | | | | | | | | | | | | | | | | | | | | | | | | | | | | | | | | | | | | | | | | | | | | | | | | | | | | | | | | | | | | | | | | | | | | | | | | | | | | | | | | | | | | | | | | | | | | | | | | | | | | | | | | | | | | | | | | | | | | | | | | | | | | | | | | | | | | | | | | | | | | | | | | | | | |
 | | | | | | | | | | | | | | | | | | | | | | | | | | | | | | | | | | | | | | | | | | | | | | | | | | | | | | | | | | | | | | | | | | | | | | | | | | | | | | | | | | | | | | | | | | | | | | | | | | | | | | | | | | | | | | | | | | | | | | | | | | | | | | | | | | | | | | | | | | | | | | | | | | | | | | | | | | | | | | | | | | | | | | | | | | | |
 | | | | | | | | | | | | | | | | | | | | | | | | | | | | | | | | | | | | | | | | | | | | | | | | | | | | | | | | | | | | | | | | | | | | | | | | | | | | | | | | | | | | | | | | | | | | | | | | | | | | | | | | | | | | | | | | | | | | | | | | | | | | | | | | | | | | | | | | | | | | | | | | | | | | | | | | | | | | | | | | | | | | | | | | | | | |
 | | | | | | | | | | | | | | | | | | | | | | | | | | | | | | | | | | | | | | | | | | | | | | | | | | | | | | | | | | | | | | | | | | | | | | | | | | | | | | | | | | | | | | | | | | | | | | | | | | | | | | | | | | | | | | | | | | | | | | | | | | | | | | | | | | | | | | | | | | | | | | | | | | | | | | | | | | | | | | | | | | | | | | | | | | | | | | | | | | | | | | | | | | | | | | | | | | | | | | | | | | | | | | | | | | | | | | | | | | | | | | | | | |
 | | | | | | | | | | | | | | | | | | | | | | | | | | | | | | | | | | | | | | | | | | |
| 2.6 | 7266 | 548 | 86 | 1.65 | 2.9 | 6550 | | | | | 494 | 86 | 1.80 | | | GFA159R99
GFAF159R99
GF159R99
GFF159R99 | 4P | | | | | 2.6 | 7425 | | | 560 | 48 | 1.05 | | | GFA109R79
GFAF109R79
GF109R79
GFF109R79 | 4P | | | 3.3 | 5675 | 428 | 86 | 2.10 | 3.3 | 5781 | 436 | 51 | 1.35 | | | GFA159R99
GFAF159R99
GF159R99
GFF159R99 | 4P | | | 2.9 | 6484 | 489 | 50 | 1.20 | GFA109R79
GFAF109R79
GF109R79
GFF109R79 | 4P | | | | | 3.9 | 4906 | 370 | 53 | 1.60 | 4.3 | 4416 | 333 | 54 | 1.75 | GFA159R99
GFAF159R99
GF159R99
GFF159R99 | 4P | | | | | 3.9 | 4906 | 370 | 53 | 1.60 | GFA109R79
GFAF109R79
GF109R79
GFF109R79 | 4P | | | | | 5.0 | 3779 | 285 | 30 | 1.15 | 5.8 | 3249 | 245 | 31 | 1.30 | GFA159R99
GFAF159R99
GF159R99
GFF159R99 | 4P | | | | | 4.3 | 4416 | 333 | 54 | 1.75 | GFA99R59
GFAF99R59
GF99R59
GFF99R59 | 4P | | | | | | | | | | | | | | | | | | | | | | | | | | | | | | | | | | | | | | | | | | | | | | | | | | | | | | | | | | | | | | | | | | | | | | | | | | | | | | | | | | | | | | | | | | | | | | | | | | | | |
 | | | | | | | | | | | | | | | | | | | | | | | | | | | | | | | | | | | | | | | | | | | | | | | | | | | | | | | | | | | | | | | | | | | | | | | | | | | | | | | | | | | | | | | | | | | | | | | | | | | | | | | | | | | | | | | | | | | | | | | | | | | | | | | | | | | | | | | | | | | | | | | | | | | | | | | | | | | | | | | | | | | | | | | | | | | | | | | | | | | |
 | | | | | | | | | | | | | | | | | | | | | | | | | | | | | | | | | | | | | | | | | | | | | | | | | | | | | | | | | | | | | | | | | | | | | | | | | | | | | | | | | | | | | | | | | | | | | | | | | | | | | | | | | | | | | | | | | | | | | | | | | | | | | | | | | | | | | | | | | | | | | | | | | | | | | | | | | | | | | | | | | | | | | | | | | | | |
 | | | | | | | | | | | | | | | | | | | | | | | | | | | | | | | | | | | | | | | | | | | | | | | | | | | | | | | | | | | | | | | | | | | | | | | | | | | | | | | | | | | | | | | | | | | | | | | | | | | | | | | | | | | | | | | | | | | | | | | | | | | | | | | | | | | | | | | | | | | | | | | | | | | | | | | | | | | | | | | | | | | | | | | | | | | |
 | | | | | | | | | | | | | | | | | | | | | | | | | | | | | | | | | | | | | | | | | | | | | | | | | | | | | | | | | | | | | | | | | | | | | | | | | | | | | | | | | | | | | | | | | | | | | | | | | | | | | | | | | | | | | | | | | | | | | | | | | | | | | | | | | | | | | | | | | | | | | | | | | | | | | | | | | | | | | | | | | | | | | | | | | | | | | | | | | | | | | | | | | | | | | | | | | | | | | | | | | | | | | | | | | | | | | | | | | | | | | | | | | |
 | | | | | | | | | | | | | | | | | | | | | | | | | | | | | | | | | | | | | | | | | | |
| 2.9 | 6550 | 494 | 86 | 1.80 | GFA159R99
GFAF159R99
GF159R99
GFF159R99 | 4P | | | | | 2.6 | 7425 | 560 | | | | | 48 | 1.05 | | | GFA109R79
GFAF109R79
GF109R79
GFF109R79 | 4P | | | | | | | | | | | | | | | | | | | | | | | | | | | | | | | | | | | | | | | | | | | | | | | | | | | | | | | | | | | | | | | | | | | | | | | | | | | | | | | | | | | | | | | | | | | | | | | | | | | | | | | | | | | | | | | | | | | | | | | | | | | | | | | | | | | | | | | | | | | | | | | | | | | | | | | | | | | | | | | | | | | | | | | | | | | | | | | | | | | | | | | | | | | | |
 | | | | | | | | | | | | | | | | | | | | | | | | | | | | | | | | | | | | | | | | | | | | | | | | | | | | | | | | | | | | | | | | | | | | | | | | | | | | | | | | | | | | | | | | | | | | | | | | | | | | | | | | | | | | | | | | | | | | | | | | | | | | | | | | | | | | | | | | | | | | | | | | | | | | | | | | | | | | | | | | | | | | | | | | | | | | | | | | | | | |
 | | | | | | | | | | | | | | | | | | | | | | | | | | | | | | | | | | | | | | | | | | | | | | | | | | | | | | | | | | | | | | | | | | | | | | | | | | | | | | | | | | | | | | | | | | | | | | | | | | | | | | | | | | | | | | | | | | | | | | | | | | | | | | | | | | | | | | | | | | | | | | | | | | | | | | | | | | | | | | | | | | | | | | | | | | | |
 | | | | | | | | | | | | | | | | | | | | | | | | | | | | | | | | | | | | | | | | | | | | | | | | | | | | | | | | | | | | | | | | | | | | | | | | | | | | | | | | | | | | | | | | | | | | | | | | | | | | | | | | | | | | | | | | | | | | | | | | | | | | | | | | | | | | | | | | | | | | | | | | | | | | | | | | | | | | | | | | | | | | | | | | | | | |
 | | | | | | | | | | | | | | | | | | | | | | | | | | | | | | | | | | | | | | | | | | | | | | | | | | | | | | | | | | | | | | | | | | | | | | | | | | | | | | | | | | | | | | | | | | | | | | | | | | | | | | | | | | | | | | | | | | | | | | | | | | | | | | | | | | | | | | | | | | | | | | | | | | | | | | | | | | | | | | | | | | | | | | | | | | | | | | | | | | | | | | | | | | | | | | | | | | | | | | | | | | | | | | | | | | | | | | | | | | | | | | | | | |
 | | | | | | | | | | | | | | | | | | | | | | | | | | | | | | | | | | | | | | | | | | |
| 3.3 | 5675 | 428 | 86 | 2.10 | | | | | 3.3 | 5781 | 436 | 51 | 1.35 | | | | | GFA159R99
GFAF159R99
GF159R99
GFF159R99 | 4P | | | | | 2.9 | 6484 | 489 | 50 | 1.20 | | | | | GFA109R79
GFAF109R79
GF109R79
GFF109R79 | 4P | 3.9 | 4906 | 370 | 53 | 1.60 | 4.3 | 4416 | 333 | 54 | 1.75 | | | | | GFA159R99
GFAF159R99
GF159R99
GFF159R99 | 4P | 3.9 | 4906 | 370 | 53 | 1.60 | | | | | GFA109R79
GFAF109R79
GF109R79
GFF109R79 | 4P | 5.0 | 3779 | 285 | 30 | 1.15 | 5.8 | 3249 | 245 | 31 | 1.30 | | | GFA159R99
GFAF159R99
GF159R99
GFF159R99 | 4P | | | 4.3 | 4416 | 333 | 54 | 1.75 | | | GFA99R59
GFAF99R59
GF99R59
GFF99R59 | 4P | | | | | | | | | | | | | | | | | | | | | | | | | | | | | | | | | | | | | | | | | | | | | | | | | | | | | | | | | | | | | | | | | | | | | | | | | | | | | | | | | | | | | | | | | | | | | | | | | | | | | | | | | | | | | | | | | | | | | | | | | | | | | |
 | | | | | | | | | | | | | | | | | | | | | | | | | | | | | | | | | | | | | | | | | | | | | | | | | | | | | | | | | | | | | | | | | | | | | | | | | | | | | | | | | | | | | | | | | | | | | | | | | | | | | | | | | | | | | | | | | | | | | | | | | | | | | | | | | | | | | | | | | | | | | | | | | | | | | | | | | | | | | | | | | | | | | | | | | | | | | | | | | | | |
 | | | | | | | | | | | | | | | | | | | | | | | | | | | | | | | | | | | | | | | | | | | | | | | | | | | | | | | | | | | | | | | | | | | | | | | | | | | | | | | | | | | | | | | | | | | | | | | | | | | | | | | | | | | | | | | | | | | | | | | | | | | | | | | | | | | | | | | | | | | | | | | | | | | | | | | | | | | | | | | | | | | | | | | | | | | |
 | | | | | | | | | | | | | | | | | | | | | | | | | | | | | | | | | | | | | | | | | | | | | | | | | | | | | | | | | | | | | | | | | | | | | | | | | | | | | | | | | | | | | | | | | | | | | | | | | | | | | | | | | | | | | | | | | | | | | | | | | | | | | | | | | | | | | | | | | | | | | | | | | | | | | | | | | | | | | | | | | | | | | | | | | | | |
 | | | | | | | | | | | | | | | | | | | | | | | | | | | | | | | | | | | | | | | | | | | | | | | | | | | | | | | | | | | | | | | | | | | | | | | | | | | | | | | | | | | | | | | | | | | | | | | | | | | | | | | | | | | | | | | | | | | | | | | | | | | | | | | | | | | | | | | | | | | | | | | | | | | | | | | | | | | | | | | | | | | | | | | | | | | | | | | | | | | | | | | | | | | | | | | | | | | | | | | | | | | | | | | | | | | | | | | | | | | | | | | | | |
 | | | | | | | | | | | | | | | | | | | | | | | | | | | | | | | | | | | | | | | | | | |
| 3.3 | 5781 | 436 | 51 | 1.35 | | | | | GFA159R99
GFAF159R99
GF159R99
GFF159R99 | 4P | 2.9 | 6484 | 489 | 50 | 1.20 | | | | | | | | | GFA109R79
GFAF109R79
GF109R79
GFF109R79 | 4P | | | | | | | | | | | | | | | | | | | | | | | | | | | | | | | | | | | | | | | | | | | | | | | | | | | | | | | | | | | | | | | | | | | | | | | | | | | | | | | | | | | | | | | | | | | | | | | | | | | | | | | | | | | | | | | | | | | | | | | | | | | | | | | | | | | | | | | | | | | | | | | | | | | | | | | | | | | | | | | | | | | | | | | | | | | | | | | | | | | | | | | | | | |
 | | | | | | | | | | | | | | | | | | | | | | | | | | | | | | | | | | | | | | | | | | | | | | | | | | | | | | | | | | | | | | | | | | | | | | | | | | | | | | | | | | | | | | | | | | | | | | | | | | | | | | | | | | | | | | | | | | | | | | | | | | | | | | | | | | | | | | | | | | | | | | | | | | | | | | | | | | | | | | | | | | | | | | | | | | | | | | | | | | | |
 | | | | | | | | | | | | | | | | | | | | | | | | | | | | | | | | | | | | | | | | | | | | | | | | | | | | | | | | | | | | | | | | | | | | | | | | | | | | | | | | | | | | | | | | | | | | | | | | | | | | | | | | | | | | | | | | | | | | | | | | | | | | | | | | | | | | | | | | | | | | | | | | | | | | | | | | | | | | | | | | | | | | | | | | | | | |
 | | | | | | | | | | | | | | | | | | | | | | | | | | | | | | | | | | | | | | | | | | | | | | | | | | | | | | | | | | | | | | | | | | | | | | | | | | | | | | | | | | | | | | | | | | | | | | | | | | | | | | | | | | | | | | | | | | | | | | | | | | | | | | | | | | | | | | | | | | | | | | | | | | | | | | | | | | | | | | | | | | | | | | | | | | | |
 | | | | | | | | | | | | | | | | | | | | | | | | | | | | | | | | | | | | | | | | | | | | | | | | | | | | | | | | | | | | | | | | | | | | | | | | | | | | | | | | | | | | | | | | | | | | | | | | | | | | | | | | | | | | | | | | | | | | | | | | | | | | | | | | | | | | | | | | | | | | | | | | | | | | | | | | | | | | | | | | | | | | | | | | | | | | | | | | | | | | | | | | | | | | | | | | | | | | | | | | | | | | | | | | | | | | | | | | | | | | | | | | | |
 | | | | | | | | | | | | | | | | | | | | | | | | | | | | | | | | | | | | | | | | | | |
| 3.9 | 4906 | 370 | 53 | 1.60 | | | 4.3 | 4416 | | | 333 | 54 | 1.75 | GFA159R99
GFAF159R99
GF159R99
GFF159R99 | 4P | | | | | 3.9 | 4906 | | | | | 370 | 53 | 1.60 | GFA109R79
GFAF109R79
GF109R79
GFF109R79 | 4P | | | | | 5.0 | 3779 | 285 | 30 | 1.15 | 5.8 | 3249 | 245 | 31 | 1.30 | GFA159R99
GFAF159R99
GF159R99
GFF159R99 | 4P | | | | | 4.3 | 4416 | 333 | 54 | 1.75 | | | GFA99R59
GFAF99R59
GF99R59
GFF99R59 | 4P | | | | | | | | | | | | | | | | | | | | | | | | | | | | | | | | | | | | | | | | | | | | | | | | | | | | | | | | | | | | | | | | | | | | | | | | | | | | | | | | | | | | | | | | | | | | | | | | | | | | | | | | | | | | | | | | | | | | | | | | | | | | | | | | | | | | | | | | | | | | | | | | | | | | | | | | |
 | | | | | | | | | | | | | | | | | | | | | | | | | | | | | | | | | | | | | | | | | | | | | | | | | | | | | | | | | | | | | | | | | | | | | | | | | | | | | | | | | | | | | | | | | | | | | | | | | | | | | | | | | | | | | | | | | | | | | | | | | | | | | | | | | | | | | | | | | | | | | | | | | | | | | | | | | | | | | | | | | | | | | | | | | | | | | | | | | | | |
 | | | | | | | | | | | | | | | | | | | | | | | | | | | | | | | | | | | | | | | | | | | | | | | | | | | | | | | | | | | | | | | | | | | | | | | | | | | | | | | | | | | | | | | | | | | | | | | | | | | | | | | | | | | | | | | | | | | | | | | | | | | | | | | | | | | | | | | | | | | | | | | | | | | | | | | | | | | | | | | | | | | | | | | | | | | |
 | | | | | | | | | | | | | | | | | | | | | | | | | | | | | | | | | | | | | | | | | | | | | | | | | | | | | | | | | | | | | | | | | | | | | | | | | | | | | | | | | | | | | | | | | | | | | | | | | | | | | | | | | | | | | | | | | | | | | | | | | | | | | | | | | | | | | | | | | | | | | | | | | | | | | | | | | | | | | | | | | | | | | | | | | | | |
 | | | | | | | | | | | | | | | | | | | | | | | | | | | | | | | | | | | | | | | | | | | | | | | | | | | | | | | | | | | | | | | | | | | | | | | | | | | | | | | | | | | | | | | | | | | | | | | | | | | | | | | | | | | | | | | | | | | | | | | | | | | | | | | | | | | | | | | | | | | | | | | | | | | | | | | | | | | | | | | | | | | | | | | | | | | | | | | | | | | | | | | | | | | | | | | | | | | | | | | | | | | | | | | | | | | | | | | | | | | | | | | | | |
 | | | | | | | | | | | | | | | | | | | | | | | | | | | | | | | | | | | | | | | | | | |
| 4.3 | 4416 | 333 | 54 | 1.75 | | | GFA159R99
GFAF159R99
GF159R99
GFF159R99 | 4P | | | 3.9 | 4906 | 370 | | | 53 | 1.60 | | | GFA109R79
GFAF109R79
GF109R79
GFF109R79 | 4P | | | | | | | | | | | | | | | | | | | | | | | | | | | | | | | | | | | | | | | | | | | | | | | | | | | | | | | | | | | | | | | | | | | | | | | | | | | | | | | | | | | | | | | | | | | | | | | | | | | | | | | | | | | | | | | | | | | | | | | | | | | | | | | | | | | | | | | | | | | | | | | | | | | | | | | | | | | | | | | | | | | | | | | | | | | | | | | | | | | | | | | | | | | | | | |
 | | | | | | | | | | | | | | | | | | | | | | | | | | | | | | | | | | | | | | | | | | | | | | | | | | | | | | | | | | | | | | | | | | | | | | | | | | | | | | | | | | | | | | | | | | | | | | | | | | | | | | | | | | | | | | | | | | | | | | | | | | | | | | | | | | | | | | | | | | | | | | | | | | | | | | | | | | | | | | | | | | | | | | | | | | | | | | | | | | | |
 | | | | | | | | | | | | | | | | | | | | | | | | | | | | | | | | | | | | | | | | | | | | | | | | | | | | | | | | | | | | | | | | | | | | | | | | | | | | | | | | | | | | | | | | | | | | | | | | | | | | | | | | | | | | | | | | | | | | | | | | | | | | | | | | | | | | | | | | | | | | | | | | | | | | | | | | | | | | | | | | | | | | | | | | | | | |
 | | | | | | | | | | | | | | | | | | | | | | | | | | | | | | | | | | | | | | | | | | | | | | | | | | | | | | | | | | | | | | | | | | | | | | | | | | | | | | | | | | | | | | | | | | | | | | | | | | | | | | | | | | | | | | | | | | | | | | | | | | | | | | | | | | | | | | | | | | | | | | | | | | | | | | | | | | | | | | | | | | | | | | | | | | | |
 | | | | | | | | | | | | | | | | | | | | | | | | | | | | | | | | | | | | | | | | | | | | | | | | | | | | | | | | | | | | | | | | | | | | | | | | | | | | | | | | | | | | | | | | | | | | | | | | | | | | | | | | | | | | | | | | | | | | | | | | | | | | | | | | | | | | | | | | | | | | | | | | | | | | | | | | | | | | | | | | | | | | | | | | | | | | | | | | | | | | | | | | | | | | | | | | | | | | | | | | | | | | | | | | | | | | | | | | | | | | | | | | | |
 | | | | | | | | | | | | | | | | | | | | | | | | | | | | | | | | | | | | | | | | | | |
| 5.0 | 3779 | 285 | 30 | 1.15 | 5.8 | 3249 | | | | | 245 | 31 | 1.30 | | | GFA159R99
GFAF159R99
GF159R99
GFF159R99 | 4P | | | | | 4.3 | 4416 | | | 333 | 54 | 1.75 | | | GFA99R59
GFAF99R59
GF99R59
GFF99R59 | 4P | | | | | | | | | | | | | | | | | | | | | | | | | | | | | | | | | | | | | | | | | | | | | | | | | | | | | | | | | | | | | | | | | | | | | | | | | | | | | | | | | | | | | | | | | | | | | | | | | | | | | | | | | | | | | | | | | | | | | | | | | | | | | | | | | | | | | | | | | | | | | | | | | | | | | | | | | | | | | | | | | | | | | | | | | | | | | | | | | | | |
 | | | | | | | | | | | | | | | | | | | | | | | | | | | | | | | | | | | | | | | | | | | | | | | | | | | | | | | | | | | | | | | | | | | | | | | | | | | | | | | | | | | | | | | | | | | | | | | | | | | | | | | | | | | | | | | | | | | | | | | | | | | | | | | | | | | | | | | | | | | | | | | | | | | | | | | | | | | | | | | | | | | | | | | | | | | | | | | | | | | |
 | | | | | | | | | | | | | | | | | | | | | | | | | | | | | | | | | | | | | | | | | | | | | | | | | | | | | | | | | | | | | | | | | | | | | | | | | | | | | | | | | | | | | | | | | | | | | | | | | | | | | | | | | | | | | | | | | | | | | | | | | | | | | | | | | | | | | | | | | | | | | | | | | | | | | | | | | | | | | | | | | | | | | | | | | | | |
 | | | | | | | | | | | | | | | | | | | | | | | | | | | | | | | | | | | | | | | | | | | | | | | | | | | | | | | | | | | | | | | | | | | | | | | | | | | | | | | | | | | | | | | | | | | | | | | | | | | | | | | | | | | | | | | | | | | | | | | | | | | | | | | | | | | | | | | | | | | | | | | | | | | | | | | | | | | | | | | | | | | | | | | | | | | |
 | | | | | | | | | | | | | | | | | | | | | | | | | | | | | | | | | | | | | | | | | | | | | | | | | | | | | | | | | | | | | | | | | | | | | | | | | | | | | | | | | | | | | | | | | | | | | | | | | | | | | | | | | | | | | | | | | | | | | | | | | | | | | | | | | | | | | | | | | | | | | | | | | | | | | | | | | | | | | | | | | | | | | | | | | | | | | | | | | | | | | | | | | | | | | | | | | | | | | | | | | | | | | | | | | | | | | | | | | | | | | | | | | |
 | | | | | | | | | | | | | | | | | | | | | | | | | | | | | | | | | | | | | | | | | | |
| 5.8 | 3249 | 245 | 31 | 1.30 | GFA159R99
GFAF159R99
GF159R99
GFF159R99 | 4P | | | | | 4.3 | 4416 | 333 | | | | | 54 | 1.75 | | | GFA99R59
GFAF99R59
GF99R59
GFF99R59 | 4P | | | | | | | | | | | | | | | | | | | | | | | | | | | | | | | | | | | | | | | | | | | | | | | | | | | | | | | | | | | | | | | | | | | | | | | | | | | | | | | | | | | | | | | | | | | | | | | | | | | | | | | | | | | | | | | | | | | | | | | | | | | | | | | | | | | | | | | | | | | | | | | | | | | | | | | | | | | | | | | | | | | | | | | | | | | | | | | | | | | | | | | | | | | | |
 | | | | | | | | | | | | | | | | | | | | | | | | | | | | | | | | | | | | | | | | | | | | | | | | | | | | | | | | | | | | | | | | | | | | | | | | | | | | | | | | | | | | | | | | | | | | | | | | | | | | | | | | | | | | | | | | | | | | | | | | | | | | | | | | | | | | | | | | | | | | | | | | | | | | | | | | | | | | | | | | | | | | | | | | | | | | | | | | | | | |
 | | | | | | | | | | | | | | | | | | | | | | | | | | | | | | | | | | | | | | | | | | | | | | | | | | | | | | | | | | | | | | | | | | | | | | | | | | | | | | | | | | | | | | | | | | | | | | | | | | | | | | | | | | | | | | | | | | | | | | | | | | | | | | | | | | | | | | | | | | | | | | | | | | | | | | | | | | | | | | | | | | | | | | | | | | | |
 | | | | | | | | | | | | | | | | | | | | | | | | | | | | | | | | | | | | | | | | | | | | | | | | | | | | | | | | | | | | | | | | | | | | | | | | | | | | | | | | | | | | | | | | | | | | | | | | | | | | | | | | | | | | | | | | | | | | | | | | | | | | | | | | | | | | | | | | | | | | | | | | | | | | | | | | | | | | | | | | | | | | | | | | | | | |
 | | | | | | | | | | | | | | | | | | | | | | | | | | | | | | | | | | | | | | | | | | | | | | | | | | | | | | | | | | | | | | | | | | | | | | | | | | | | | | | | | | | | | | | | | | | | | | | | | | | | | | | | | | | | | | | | | | | | | | | | | | | | | | | | | | | | | | | | | | | | | | | | | | | | | | | | | | | | | | | | | | | | | | | | | | | | | | | | | | | | | | | | | | | | | | | | | | | | | | | | | | | | | | | | | | | | | | | | | | | | | | | | | |
 | | | | | | | | | | | | | | | | | | | | | | | | | | | | | | | | | | | | | | | | | | |

**选型参数表
(恒功率)**
**Selection Table
(Constant Power)**

n_a [r/min]	M_a [N.m]	i	F_{Ra} [kN]	f_B	机型号 Type size	极数 Pole	n_a [r/min]	M_a [N.m]	i	F_{Ra} [kN]	f_B	机型号 Type size	极数 Pole	
2.2kW							2.2kW							
2.8	7152	254.40	47	1.00	GFA109	8P	45	448	32.08	12	1.70			
3.3	6054	215.37	50	1.20	GFAF109		52	383	27.41	12	2.00	GFA69	4P	
3.6	5603	199.31	51	1.30	GF109		57	351	25.13	12	2.20	GFAF69		
4.0	5022	178.64	53	1.45	GFF109		65	308	22.05	12	2.50	GF69		
3.7	5402	254.40	52	1.35	GFA109	6P	68	292	20.90	12	2.60	GFF69		
4.4	4573	215.37	54	1.60	GFAF109		78	255	18.29	12	3.00			
4.7	4232	199.31	55	1.70	GF109		32	624	44.73	4.3	0.90	GFA59	4P	
5.3	3793	178.64	55	1.90	GFF109		37	533	38.21	8.2	1.05	GFAF59		
5.6	3551	254.40	56	2.00	GFA109	40	500	35.79	8.2	1.15	GF59			
6.6	3006	215.37	57	2.40	GFAF109	47	421	30.15	8.0	1.30	GFF59			
7.2	2782	199.31	57	2.60	GF109	4P	57	348	24.96	7.8	1.55	GFA59	4P	
8.0	2493	178.64	58	2.90	GFF109		68	295	21.17	7.6	1.90	GFAF59		
4.2	4754	223.88	12	0.85	GFA99		6P	75	267	19.11	7.5	2.10		GF59
4.9	4033	189.92	29	1.00	GFAF99			85	235	16.81	7.3	2.40		GFF59
5.4	3713	174.87	29	1.10	GF99	90		222	15.88	7.2	2.50			
6.0	3319	156.30	30	1.25	GFF99	56		359	25.72	5.3	1.05		4P	
5.2	3863	276.77	29	1.05		66	305	21.82	5.2	1.25	GFA49			
5.6	3537	253.41	30	1.15		73	275	19.70	5.2	1.35	GFAF49			
6.4	3125	223.88	31	1.30	GFA99	83	242	17.33	5.1	1.55	GF49			
7.5	2651	189.92	32	1.50	GFAF99	4P	87	228	16.36	5.1	1.65	GFF49		
8.2	2441	174.87	32	1.65	GF99		103	194	13.93	5.0	1.95			
9.1	2182	156.30	33	1.85	GFF99		113	177	12.66	4.9	2.10			
10	1964	140.71	33	2.00			130	153	10.97	4.8	2.50			
11	1778	127.42	34	2.30		159	125	8.97	4.5	2.50				
7.3	2752	197.20	21	1.00		100	200	14.33	2.7	0.95		4P		
7.9	2512	179.97	23	1.10		111	180	12.87	2.7	1.05				
9.0	2228	159.61	24	1.25		129	155	11.08	2.7	1.15				
11	1873	134.16	25	1.50		137	145	10.42	2.7	1.20				
12	1721	123.29	26	1.65	GFA89	4P	159	125	8.97	2.7	1.30	GFA39		
13	1528	109.49	26	1.85	GFAF89		178	112	8.03	2.6	1.40	GFAF39		
15	1366	97.89	27	2.10	GF89		212	94	6.76	2.5	1.40	GF39		
16	1228	88.01	27	2.30	GFF89		236	85	6.07	2.5	1.50	GFF39		
19	1066	76.39	26	2.60		273	73	5.23	2.4	1.60				
21	955	68.40	26	2.90		291	69	4.92	2.4	1.65				
25	792	56.75	25	3.50		338	59	4.23	2.3	1.75				
28	703	50.36	24	3.90		378	53	3.78	2.3	1.85				
32	632	45.28	23	4.20										
12	1597	114.45	13	0.90	GFA79	4P	3kW							
13	1514	108.46	14	0.95	GFAF79		1.2	22250	1169	83	0.85		4P	
15	1325	94.93	15	1.05	GF79		1.5	18139	953	96	1.05			
17	1194	85.52	16	1.20	GFF79		1.7	16083	845	101	1.15			
19	1047	75.02	17	1.35		1.9	14541	764	105	1.30	GFA159R99			
22	928	66.46	17	1.50	GFA79	4P	2.1	12943	680	108	1.45	GFAF159R99		
25	814	58.32	18	1.75	GFAF79		2.5	10963	576	111	1.70	GF159R99		
26	771	55.27	18	1.80	GF79		3.2	8489	446	114	2.20	GFF159R99		
30	675	48.37	18	2.10	GFF79		4.7	5748	302	114	3.20			
33	608	43.58	18	2.30		5.2	5196	273	114	3.55				
39	511	36.58	19	2.00	GFA79	4P	6.2	4416	232	114	4.20			
45	440	31.51	19	2.90	GFAF79		7.3	3750	197	114	5.05			
50	401	28.75	19	3.30	GF79		2.0	13818	726	83	0.90	GFA129R79		
56	356	25.50	19	4.00	GFF79		2.2	12314	647	86	1.05	GFAF129R79		
23	852	61.07	8.9	0.90		4P	2.6	10430	548	86	1.20	GF129R79		
27	750	53.73	10	1.00	GFA69		2.9	9402	494	86	1.35	GFF129R79		
28	708	50.74	10	1.10	GFAF69		3.3	8298	436	46	1.00	GFA109R79		
33	603	43.20	11	1.25	GF69		3.9	7042	370	49	1.15	GFAF109R79		
36	548	39.26	11	1.35	GFF69	4P	4.3	6338	333	51	1.30	GF109R79		
42	475	34.01	12	1.45			4.9	5539	291	53	1.45	GFF109R79		

**选型参数表
(恒功率)**
**Selection Table
(Constant Power)**

n_a [r/min]	M_a [N.m]	i	F_{Ra} [kN]	f_B	机型号 Type size	极数 Pole	n_a [r/min]	M_a [N.m]	i	F_{Ra} [kN]	f_B	机型号 Type size	极数 Pole
3kW							3kW						
3.8	7213	254.40	47	1.00	GFA109	6P	106	257	13.52	6.5	2.20	GFA59	4P
4.5	6106	215.37	50	1.15	GFAF109		116	234	12.29	6.4	2.40	GFAF59	
4.8	5651	199.31	51	1.25	GF109		134	203	10.64	6.3	2.80	GF59	
5.4	5065	178.64	53	1.40	GFF109							GFF59	
5.6	4842	254.40	53	1.50	GFA109	4P	73	375	19.70	4.5	1.00	GFA49 GFAF49 GF49 GFF49	4P
6.6	4099	215.37	55	1.75	GFAF109								
7.2	3794	199.31	55	1.90	GF109								
8.0	3400	178.64	56	2.10	GFF109								
8.9	3070	161.28	57	2.30									
6.4	4261	223.88	28	0.95	GFA99 GFAF99 GF99 GFF99		129	211	11.08	2.2	0.85		
7.5	3615	189.92	30	1.10		137	198	10.42	2.2	0.85			
8.2	3328	174.87	30	1.20		159	171	8.97	2.3	0.95			
9.1	2975	156.30	31	1.35		178	153	8.03	2.3	1.05			
10	2678	140.71	32	1.50		212	129	6.76	2.2	1.00			
11	2425	127.42	32	1.65		236	116	6.07	2.2	1.10			
13	2151	112.99	33	1.85		273	100	5.23	2.2	1.15			
14	1944	102.16	33	2.10		291	94	4.92	2.2	1.20			
16	1710	89.85	34	2.30		338	81	4.23	2.1	1.25			
11	2553	134.16	23	1.10		GFA89	4P	378	72	3.78	2.1	1.35	
12	2347	123.29	23	1.20	GFAF89								
13	2084	109.49	24	1.35	GF89								
					GFF89								
15	1863	97.89	25	1.50	GFA89 GFAF89 GF89 GFF89	4P	4kW						
16	1675	88.01	26	1.65			1.7	20230	845	87	0.90		
19	1454	76.39	25	1.90			1.9	18291	764	93	1.00		
21	1302	68.40	24	2.10			2.1	16280	680	99	1.10		
25	1080	56.75	24	2.60			2.5	13790	576	105	1.30		
28	959	50.36	23	2.80			3.2	10678	446	110	1.70		
17	1628	85.52	13	0.85	GFA79	4P	4.8	7230	302	114	2.45	GFA159R99 GFAF159R99 GF159R99 GFF159R99	4P
19	1428	75.02	15	1.00	GFAF79		5.3	6536	273	114	2.70		
22	1265	66.46	16	1.10	GF79		6.2	5554	232	114	3.20		
25	1110	58.32	17	1.25	GFA79 GFAF79 GF79 GFF79	4P	7.3	4716	197	114	3.85		
26	1052	55.27	17	1.35			2.6	13120	548	83	0.90	GFA129R79	4P
30	921	48.37	17	1.50			2.9	11827	494	86	1.00	GFAF129R79	
33	829	43.58	18	1.70			3.4	10247	428	86	1.15	GF129R79	
37	728	38.23	18	1.90			3.8	8978	375	86	1.30	GFF129R79	
39	696	36.58	18	1.50			GFA79 GFAF79 GF79 GFF79	4P	4.3	7972	333	46	1.00
45	600	31.51	18	2.10	4.9	6967			291	49	1.10	GFAF109R79	
50	547	28.75	19	2.40	5.6	6105			255	51	1.30	GF109R79	
56	485	25.50	19	2.90								GFF109R79	
67	408	21.43	19	3.40									
33	822	43.20	9	0.95	GFA69	4P			4.2	8601	170.64	86	1.30
36	747	39.26	10	0.95	GFAF69		4.7	7737	153.50	86	1.45	GFAF129	
42	647	34.01	11	1.05	GF69		5.7	6312	125.23	86	1.80	GF129 GFF129	
					GFF69								
45	611	32.08	11	1.25	GFA69 GFAF69 GF69 GFF69	4P	5.7	6411	254.40	49	1.10	GFA109 GFAF109 GF109 GFF109	4P
52	522	27.41	11	1.45			6.7	5428	215.37	52	1.35		
57	478	25.13	12	1.60			7.2	5023	199.31	53	1.45		
65	420	22.05	12	1.80			8.1	4502	178.64	54	1.60		
68	398	20.90	12	1.90			8.9	4064	161.28	55	1.75		
78	348	18.29	12	2.20			9.8	3692	146.49	56	1.95		
87	314	16.48	12	2.40			11	3275	129.97	56	2.20		
99	275	14.46	12	2.80			12	2972	117.94	57	2.40		
57	475	24.96	7.1	1.15			14	2555	101.38	58	2.80		
68	403	21.17	7.0	1.40			8.2	4407	174.87	25	0.90		
75	364	19.11	6.9	1.55	9.2	3939	156.30	29	1.00	GFAF99			
85	320	16.81	6.8	1.75	10	3546	140.71	30	1.15	GF99			
90	302	15.88	6.7	1.85	11	3211	127.42	31	1.25	GFF99			

**选型参数表
(恒功率)**
**Selection Table
(Constant Power)**

n_a [r/min]	M_a [N.m]	i	F_{Ra} [kN]	f_B	机型号 Type size	极数 Pole	n_a [r/min]	M_a [N.m]	i	F_{Ra} [kN]	f_B	机型号 Type size	极数 Pole																																																																																																																																																																																																																																																																																																																																																																																																																																									
4kW							5.5kW																																																																																																																																																																																																																																																																																																																																																																																																																																															
13	2848	112.99	32	1.40	GFA99 GFAF99 GF99 GFF99	4P	2.5	18962	576	91	0.95	GFA159R99 GFAF159R99 GF159R99 GFF159R99	4P																																																																																																																																																																																																																																																																																																																																																																																																																																									
14	2575	102.16	32	1.55			15	2459	97.58	32	1.65			16	2264	89.85	33	1.80	18	2024	80.31	33	2.00	20	1822	72.30	34	2.20	22	1650	65.47	34	2.40	13	2759	109.49	21	1.00	GFA89 GFAF89 GF89 GFF89	4P	7.1	6650	202	114	2.65	15	2467	97.89	23	1.15	16	2218	88.01	23	1.25	19	1925	76.39	23	1.45	GFA89 GFAF89 GF89 GFF89	4P	3.4	13760	418	82	0.85	21	1724	68.40	23	1.65	25	1430	56.75	22	1.95	29	1269	50.36	22	2.20	32	1141	45.28	21	2.30	22	1675	66.46	13	0.85	GFA129R89 GFAF129R89 GF129R89 GFF129R89	4P	25	1470	58.32	14	0.95	26	1393	55.27	15	1.00	30	1219	48.37	16	1.15	33	1098	43.58	17	1.30	GFA129R79 GFAF129R79 GF129R79 GFF129R79	4P	38	963	38.23	17	1.45	43	850	33.74	18	1.65	48	754	29.91	18	1.85	56	644	25.54	18	2.10	46	794	31.51	18	1.65	GFA159 GFAF159 GF159 GFF159	8P	50	725	28.75	18	1.85	56	643	25.50	18	2.20	67	540	21.43	19	2.60	73	496	19.70	19	2.80	53	691	27.41	10	1.10	57	633	25.13	11	1.20	GFA129 GFAF129 GF129 GFF129	8P	65	556	22.05	11	1.40	69	527	20.90	11	1.45	79	461	18.29	12	1.65	87	415	16.48	12	1.85	100	364	14.46	12	2.10	113	322	12.76	12	2.40	GFA109 GFAF109 GF109 GFF109	4P	127	285	11.31	12	2.70	149	243	9.66	12	3.20	159	229	9.08	12	2.20	167	217	8.60	12	2.50	191	190	7.53	12	3.00	212	171	6.78	11	3.40	242	150	5.95	11	3.80	274	132	5.25	11	4.20	309	117	4.66	10	4.50	363	100	3.97	10	4.70	68	534	21.17	6.2	1.05	GFA69 GFAF69 GF69 GFF69	4P	75	482	19.11	6.2	1.15	86	424	16.81	6.1	1.35	91	400	15.88	6.1	1.40	107	341	13.52	6.0	1.65	117	310	12.29	6.0	1.80	135	268	10.64	5.8	2.10	155	235	9.31	5.6	1.70	176	206	8.19	5.4	1.90	186	195	7.73	5.4	2.00	219	166	6.58	5.2	2.40	241	151	5.98	5.1	2.60	278	131	5.18	5.0	3.00	11	4415	127.42	26	0.90	GFA99 GFAF99 GF99 GFF99	4P	13	3915	112.99	29	1.05	14	3540	102.16	30	1.15	15	3381	97.58	30	1.20	16	3113	89.85	31	1.30	GFA99 GFAF99 GF99 GFF99	4P	17	3001	86.59	31	1.35	18	2783	80.31	32	1.45	19	2621	75.63	32	1.55	20	2505	72.30	32	1.60	22	2269	65.47	33	1.80	25	2012	58.06	33	2.00	27	1819	52.49	32	2.20																																																		
15	2459	97.58	32	1.65			16	2264	89.85	33	1.80			18	2024	80.31	33	2.00	20	1822	72.30	34	2.20	22	1650	65.47	34	2.40	13	2759	109.49	21	1.00	GFA89 GFAF89 GF89 GFF89	4P	7.1	6650	202			114	2.65	15	2467	97.89	23	1.15	16	2218	88.01	23	1.25	19	1925	76.39	23	1.45	GFA89 GFAF89 GF89 GFF89	4P	3.4			13760	418	82	0.85	21	1724	68.40	23	1.65	25	1430	56.75	22	1.95	29	1269	50.36	22	2.20	32	1141	45.28	21	2.30	22	1675	66.46	13	0.85	GFA129R89 GFAF129R89 GF129R89 GFF129R89			4P	25	1470	58.32	14	0.95	26	1393	55.27	15	1.00	30	1219	48.37	16	1.15	33	1098	43.58	17			1.30	GFA129R79 GFAF129R79 GF129R79 GFF129R79	4P	38	963	38.23	17	1.45	43	850	33.74	18	1.65	48	754	29.91	18	1.85	56	644	25.54	18	2.10	46	794			31.51	18	1.65	GFA159 GFAF159 GF159 GFF159	8P	50	725	28.75	18	1.85	56	643	25.50	18	2.20	67	540	21.43	19	2.60	73	496	19.70	19	2.80	53	691	27.41	10	1.10			57	633	25.13	11	1.20	GFA129 GFAF129 GF129 GFF129	8P	65	556	22.05	11	1.40	69	527	20.90	11	1.45	79	461	18.29	12	1.65	87	415	16.48	12	1.85	100	364	14.46			12	2.10	113	322	12.76	12	2.40	GFA109 GFAF109 GF109 GFF109	4P	127	285	11.31	12	2.70	149	243	9.66	12	3.20	159	229	9.08	12	2.20	167	217	8.60	12	2.50	191	190	7.53	12	3.00	212	171	6.78	11	3.40	242	150	5.95	11	3.80	274	132	5.25	11	4.20	309	117	4.66	10	4.50	363			100	3.97	10	4.70	68	534	21.17	6.2	1.05	GFA69 GFAF69 GF69 GFF69	4P	75	482	19.11	6.2	1.15	86	424	16.81	6.1	1.35	91	400	15.88	6.1	1.40	107	341	13.52	6.0	1.65	117	310	12.29	6.0	1.80	135	268	10.64	5.8	2.10	155	235	9.31	5.6	1.70	176	206	8.19	5.4	1.90	186	195	7.73	5.4	2.00	219	166	6.58	5.2	2.40	241	151	5.98	5.1			2.60	278	131	5.18	5.0	3.00	11	4415	127.42	26	0.90	GFA99 GFAF99 GF99 GFF99	4P	13	3915	112.99	29	1.05	14	3540			102.16	30	1.15	15	3381	97.58	30	1.20	16	3113	89.85	31	1.30	GFA99 GFAF99 GF99 GFF99	4P	17	3001	86.59	31	1.35	18	2783	80.31	32	1.45	19	2621	75.63	32	1.55	20	2505	72.30	32	1.60	22	2269	65.47	33	1.80	25	2012	58.06	33	2.00	27	1819	52.49	32	2.20																																			
16	2264	89.85	33	1.80			18	2024	80.31	33	2.00			20	1822	72.30	34	2.20	22	1650	65.47	34	2.40	13	2759	109.49	21	1.00	GFA89 GFAF89 GF89 GFF89	4P	7.1	6650	202			114	2.65	15			2467	97.89	23	1.15	16	2218	88.01	23	1.25	19	1925	76.39	23	1.45	GFA89 GFAF89 GF89 GFF89	4P	3.4			13760			418	82	0.85	21	1724	68.40	23	1.65	25	1430	56.75	22	1.95	29	1269	50.36	22	2.20	32	1141	45.28	21	2.30	22	1675	66.46	13	0.85	GFA129R89 GFAF129R89 GF129R89 GFF129R89		4P	25		1470	58.32	14	0.95	26	1393	55.27	15	1.00	30	1219	48.37	16	1.15	33	1098	43.58	17	1.30			GFA129R79 GFAF129R79 GF129R79 GFF129R79			4P	38	963	38.23	17	1.45	43	850	33.74	18	1.65	48	754	29.91	18	1.85	56	644	25.54	18	2.10	46			794	31.51	18			1.65	GFA159 GFAF159 GF159 GFF159	8P	50	725	28.75	18	1.85	56	643	25.50	18	2.20	67	540	21.43	19	2.60	73	496	19.70	19	2.80	53	691			27.41	10	1.10	57	633			25.13	11	1.20	GFA129 GFAF129 GF129 GFF129	8P	65	556	22.05	11	1.40	69	527	20.90	11	1.45	79	461	18.29	12	1.65	87	415	16.48			12	1.85	100	364	14.46	12	2.10			113	322	12.76	12	2.40	GFA109 GFAF109 GF109 GFF109	4P	127	285	11.31	12	2.70	149	243	9.66	12	3.20	159	229	9.08	12	2.20	167	217	8.60	12	2.50	191	190	7.53	12	3.00	212	171	6.78	11	3.40	242	150	5.95	11	3.80	274	132	5.25	11			4.20	309	117	4.66	10	4.50	363	100	3.97			10	4.70	68	534	21.17	6.2	1.05	GFA69 GFAF69 GF69 GFF69	4P	75	482	19.11	6.2	1.15	86	424	16.81	6.1	1.35	91	400	15.88	6.1	1.40	107	341	13.52	6.0	1.65	117	310	12.29	6.0	1.80	135	268	10.64	5.8	2.10	155	235	9.31	5.6	1.70	176	206	8.19	5.4	1.90	186	195	7.73	5.4	2.00			219	166	6.58	5.2	2.40	241	151	5.98	5.1	2.60	278			131	5.18	5.0	3.00	11	4415	127.42			26	0.90	GFA99 GFAF99 GF99 GFF99	4P	13	3915	112.99	29	1.05	14	3540	102.16	30			1.15	15	3381	97.58	30	1.20	16	3113	89.85	31	1.30	GFA99 GFAF99 GF99 GFF99	4P	17	3001	86.59	31	1.35	18	2783	80.31	32	1.45	19	2621	75.63	32	1.55	20	2505	72.30	32	1.60	22	2269	65.47	33	1.80	25	2012	58.06	33	2.00	27	1819	52.49	32	2.20																						
18	2024	80.31	33	2.00			20	1822	72.30	34	2.20			22	1650	65.47	34	2.40	13	2759	109.49	21	1.00	GFA89 GFAF89 GF89 GFF89	4P	7.1	6650	202			114	2.65	15			2467	97.89	23	1.15	16	2218	88.01	23	1.25	19	1925	76.39	23	1.45	GFA89 GFAF89 GF89 GFF89	4P	3.4	13760	418			82			0.85			21	1724	68.40	23	1.65	25	1430	56.75	22	1.95	29	1269	50.36	22	2.20	32	1141	45.28	21	2.30	22	1675	66.46	13	0.85	GFA129R89 GFAF129R89 GF129R89 GFF129R89	4P	25		1470		58.32	14	0.95	26	1393	55.27	15	1.00	30	1219	48.37	16	1.15	33	1098	43.58	17	1.30	GFA129R79 GFAF129R79 GF129R79 GFF129R79	4P	38							963	38.23	17	1.45	43	850	33.74	18	1.65	48	754	29.91	18	1.85	56	644	25.54	18	2.10	46	794			31.51	18	1.65			GFA159 GFAF159 GF159 GFF159			8P	50	725	28.75	18	1.85	56	643	25.50	18	2.20	67	540	21.43	19	2.60	73	496	19.70	19	2.80	53			691	27.41	10	1.10	57			633	25.13	11			1.20	GFA129 GFAF129 GF129 GFF129	8P	65	556	22.05	11	1.40	69	527	20.90	11	1.45	79	461	18.29	12	1.65			87	415	16.48	12	1.85	100	364			14.46	12	2.10	113	322			12.76	12	2.40	GFA109 GFAF109 GF109 GFF109	4P	127	285	11.31	12	2.70	149	243	9.66	12	3.20	159	229	9.08	12	2.20	167	217	8.60	12	2.50	191	190	7.53	12	3.00	212	171	6.78	11	3.40	242	150	5.95	11			3.80	274	132	5.25	11	4.20	309	117	4.66			10	4.50	363	100	3.97	10	4.70			68	534	21.17	6.2	1.05	GFA69 GFAF69 GF69 GFF69	4P	75	482	19.11	6.2	1.15	86	424	16.81	6.1	1.35	91	400	15.88	6.1	1.40	107	341	13.52	6.0	1.65	117	310	12.29	6.0	1.80	135	268	10.64	5.8	2.10	155	235	9.31	5.6	1.70	176	206	8.19			5.4	1.90	186	195	7.73	5.4	2.00	219	166	6.58	5.2			2.40	241	151	5.98	5.1	2.60	278			131	5.18			5.0	3.00	11	4415	127.42	26	0.90	GFA99 GFAF99 GF99 GFF99	4P			13	3915	112.99	29	1.05	14	3540	102.16	30	1.15	15			3381	97.58	30	1.20	16	3113	89.85	31	1.30	GFA99 GFAF99 GF99 GFF99	4P	17	3001	86.59	31	1.35	18	2783	80.31	32	1.45	19	2621	75.63	32	1.55	20	2505	72.30	32	1.60	22	2269	65.47	33	1.80	25	2012	58.06	33	2.00	27	1819	52.49	32	2.20											
20	1822	72.30	34	2.20			22	1650	65.47	34	2.40			13	2759	109.49	21	1.00	GFA89 GFAF89 GF89 GFF89	4P	7.1	6650	202			114	2.65	15			2467	97.89	23	1.15	16	2218	88.01	23	1.25	19	1925	76.39	23	1.45	GFA89 GFAF89 GF89 GFF89	4P	3.4	13760	418			82	0.85	21			1724			68.40			23	1.65	25	1430	56.75	22	1.95	29	1269	50.36	22	2.20	32	1141	45.28	21	2.30	22	1675	66.46	13	0.85	GFA129R89 GFAF129R89 GF129R89 GFF129R89	4P	25			1470	58.32	14	0.95	26	1393	55.27	15	1.00	30	1219	48.37	16	1.15	33	1098	43.58	17	1.30	GFA129R79 GFAF129R79 GF129R79 GFF129R79	4P	38			963							38.23	17	1.45	43	850	33.74	18	1.65	48	754	29.91	18	1.85	56	644	25.54	18	2.10	46	794	31.51			18	1.65	GFA159 GFAF159 GF159 GFF159							8P	50	725	28.75	18	1.85	56	643	25.50	18	2.20	67	540	21.43	19	2.60	73	496	19.70	19	2.80			53	691	27.41	10	1.10			57	633	25.13			11			1.20	GFA129 GFAF129 GF129 GFF129	8P	65	556	22.05	11	1.40	69	527	20.90	11	1.45	79	461			18.29	12	1.65	87	415	16.48	12			1.85	100	364	14.46	12			2.10	113	322			12.76	12	2.40	GFA109 GFAF109 GF109 GFF109	4P	127	285	11.31	12	2.70	149	243	9.66	12	3.20	159	229	9.08	12	2.20	167	217	8.60	12	2.50	191	190	7.53	12	3.00	212	171	6.78	11			3.40	242	150	5.95	11	3.80	274	132	5.25			11	4.20	309	117	4.66	10	4.50			363	100	3.97	10	4.70			68	534	21.17	6.2	1.05	GFA69 GFAF69 GF69 GFF69	4P	75	482	19.11	6.2	1.15	86	424	16.81	6.1	1.35	91	400	15.88	6.1	1.40	107	341	13.52	6.0	1.65	117	310	12.29	6.0	1.80	135	268	10.64	5.8	2.10	155	235	9.31	5.6	1.70	176	206	8.19	5.4	1.90	186	195	7.73	5.4			2.00	219	166	6.58	5.2	2.40	241			151	5.98			5.1	2.60	278	131	5.18	5.0	3.00					11	4415	127.42	26	0.90	GFA99 GFAF99 GF99 GFF99	4P	13	3915	112.99	29			1.05	14	3540	102.16	30	1.15	15	3381	97.58			30	1.20	16	3113	89.85	31	1.30	GFA99 GFAF99 GF99 GFF99	4P	17	3001	86.59	31	1.35	18	2783	80.31	32	1.45	19	2621	75.63	32	1.55	20	2505	72.30	32	1.60	22	2269	65.47	33	1.80	25	2012	58.06	33	2.00	27	1819	52.49	32	2.20		
22	1650	65.47	34	2.40	13	2759	109.49	21	1.00	GFA89 GFAF89 GF89 GFF89	4P			7.1	6650	202	114	2.65			15	2467	97.89			23	1.15	16	2218	88.01	23	1.25	19	1925	76.39	23	1.45	GFA89 GFAF89 GF89 GFF89	4P	3.4	13760	418	82	0.85			21	1724	68.40			23	1.65	25			1430			56.75			22	1.95	29	1269	50.36	22	2.20	32	1141	45.28	21	2.30	22	1675	66.46	13	0.85	GFA129R89 GFAF129R89 GF129R89 GFF129R89	4P	25	1470	58.32			14	0.95	26	1393	55.27	15	1.00	30	1219	48.37	16	1.15	33	1098	43.58	17	1.30	GFA129R79 GFAF129R79 GF129R79 GFF129R79	4P	38	963	38.23			17			1.45							43	850	33.74	18	1.65	48	754	29.91	18	1.85	56	644	25.54	18	2.10	46	794	31.51	18	1.65	GFA159 GFAF159 GF159 GFF159			8P	50									725	28.75	18	1.85	56	643	25.50	18	2.20	67	540	21.43	19	2.60	73	496	19.70	19	2.80	53			691	27.41	10	1.10	57			633	25.13	11			1.20			GFA129 GFAF129 GF129 GFF129			8P	65	556	22.05	11	1.40	69	527	20.90	11	1.45	79			461	18.29	12	1.65	87	415	16.48			12	1.85	100	364	14.46			12	2.10	113			322	12.76	12			2.40	GFA109 GFAF109 GF109 GFF109	4P	127	285	11.31	12	2.70	149	243	9.66	12	3.20	159	229	9.08	12	2.20	167	217	8.60	12	2.50	191	190	7.53	12	3.00	212			171	6.78	11	3.40	242	150	5.95	11	3.80			274	132	5.25	11	4.20	309	117			4.66	10	4.50	363	100			3.97	10	4.70	68	534			21.17	6.2	1.05	GFA69 GFAF69 GF69 GFF69	4P	75	482	19.11	6.2	1.15	86	424	16.81	6.1	1.35	91	400	15.88	6.1	1.40	107	341	13.52	6.0	1.65	117	310	12.29	6.0	1.80	135	268	10.64	5.8	2.10	155	235	9.31	5.6	1.70	176	206	8.19	5.4	1.90	186	195	7.73	5.4	2.00	219	166	6.58			5.2	2.40			241	151	5.98	5.1	2.60	278	131					5.18	5.0	3.00	11	4415			127.42	26	0.90	GFA99 GFAF99 GF99 GFF99			4P	13	3915	112.99	29	1.05	14	3540	102.16			30	1.15	15	3381	97.58	30	1.20			16	3113	89.85	31	1.30	GFA99 GFAF99 GF99 GFF99	4P	17	3001	86.59	31	1.35	18	2783	80.31	32	1.45	19	2621	75.63	32	1.55	20	2505	72.30	32	1.60	22	2269	65.47	33	1.80	25	2012	58.06	33	2.00
13	2759	109.49	21	1.00	GFA89 GFAF89 GF89 GFF89	4P	7.1	6650	202					114	2.65	15	2467	97.89			23	1.15	16	2218	88.01	23	1.25	19	1925	76.39	23	1.45	GFA89 GFAF89 GF89 GFF89	4P	3.4	13760	418			82	0.85	21	1724	68.40			23	1.65	25			1430	56.75	22			1.95			29	1269	50.36	22	2.20	32	1141	45.28	21	2.30	22	1675	66.46	13	0.85	GFA129R89 GFAF129R89 GF129R89 GFF129R89	4P	25	1470	58.32			14	0.95	26	1393	55.27	15	1.00	30	1219	48.37	16	1.15	33	1098	43.58	17	1.30	GFA129R79 GFAF129R79 GF129R79 GFF129R79	4P	38	963	38.23			17	1.45	43			850			33.74							18	1.65	48	754	29.91	18	1.85	56	644	25.54	18	2.10	46	794	31.51	18	1.65	GFA159 GFAF159 GF159 GFF159	8P	50		725	28.75		18									1.85	56	643	25.50	18	2.20	67	540	21.43	19	2.60	73	496	19.70	19	2.80	53	691	27.41	10			1.10	57	633	25.13	11			1.20	GFA129 GFAF129 GF129 GFF129	8P			65							556	22.05	11	1.40	69	527	20.90	11	1.45	79	461			18.29	12	1.65	87	415	16.48	12			1.85	100	364	14.46	12			2.10	113	322			12.76	12	2.40			GFA109 GFAF109 GF109 GFF109			4P	127	285	11.31	12	2.70	149	243	9.66	12	3.20	159	229	9.08	12	2.20	167	217	8.60	12	2.50	191	190	7.53	12	3.00			212	171	6.78	11	3.40	242	150	5.95	11			3.80	274	132	5.25	11	4.20	309			117	4.66	10	4.50	363			100	3.97	10	4.70	68			534	21.17	6.2			1.05	GFA69 GFAF69 GF69 GFF69	4P	75	482	19.11	6.2	1.15	86	424	16.81	6.1	1.35	91	400	15.88	6.1	1.40	107	341	13.52	6.0	1.65	117	310	12.29	6.0	1.80	135	268	10.64	5.8	2.10	155	235	9.31	5.6	1.70	176	206	8.19	5.4	1.90	186	195	7.73	5.4	2.00			219	166	6.58	5.2	2.40	241	151	5.98	5.1	2.60	278					131	5.18	5.0	3.00	11			4415	127.42	26					0.90	GFA99 GFAF99 GF99 GFF99	4P	13	3915	112.99	29	1.05			14	3540	102.16	30	1.15	15	3381			97.58	30	1.20	16	3113			89.85	31	1.30	GFA99 GFAF99 GF99 GFF99	4P	17	3001	86.59	31	1.35	18	2783	80.31	32	1.45	19	2621	75.63	32	1.55	20	2505	72.30	32	1.60	22	2269	65.47	33	1.80
15	2467	97.89	23	1.15			16	2218	88.01					23	1.25	19	1925	76.39	23	1.45	GFA89 GFAF89 GF89 GFF89	4P	3.4	13760	418	82	0.85	21	1724	68.40	23	1.65			25	1430	56.75			22	1.95	29	1269	50.36			22	2.20	32			1141	45.28	21			2.30	22	1675	66.46	13	0.85	GFA129R89 GFAF129R89 GF129R89 GFF129R89	4P	25	1470	58.32	14	0.95	26	1393	55.27	15	1.00			30	1219	48.37	16	1.15	33	1098	43.58	17	1.30	GFA129R79 GFAF129R79 GF129R79 GFF129R79	4P	38	963	38.23	17	1.45	43	850	33.74	18	1.65			48	754	29.91			18	1.85	56			644			25.54							18	2.10	46	794	31.51	18	1.65	GFA159 GFAF159 GF159 GFF159	8P	50	725	28.75	18	1.85	56	643	25.50			18		2.20	67		540		21.43	19						2.60	73	496	19.70	19	2.80	53	691	27.41	10	1.10	57	633	25.13	11	1.20	GFA129 GFAF129 GF129 GFF129	8P	65	556			22.05	11	1.40	69	527			20.90					11							1.45	79	461	18.29	12	1.65	87	415	16.48	12	1.85			100	364	14.46	12	2.10	113	322			12.76	12	2.40	GFA109 GFAF109 GF109 GFF109	4P			127	285	11.31			12	2.70	149							243	9.66	12	3.20	159	229	9.08	12	2.20	167	217	8.60	12	2.50	191	190	7.53	12	3.00	212	171	6.78	11	3.40	242			150	5.95	11	3.80	274	132	5.25	11	4.20			309	117	4.66	10	4.50	363	100			3.97	10	4.70	68	534			21.17	6.2	1.05	GFA69 GFAF69 GF69 GFF69	4P			75	482	19.11			6.2			1.15	86	424	16.81	6.1	1.35	91	400	15.88	6.1	1.40	107	341	13.52	6.0	1.65	117	310	12.29	6.0	1.80	135	268	10.64	5.8	2.10	155	235	9.31	5.6	1.70	176	206	8.19	5.4	1.90	186	195	7.73	5.4	2.00	219	166	6.58	5.2			2.40	241	151	5.98	5.1	2.60	278	131	5.18	5.0	3.00	11	4415			127.42	26	0.90	GFA99 GFAF99 GF99 GFF99	4P			13	3915	112.99					29			1.05	14	3540	102.16	30			1.15	15	3381	97.58	30	1.20	16			3113	89.85	31	1.30	GFA99 GFAF99 GF99 GFF99			4P	17	3001			86.59	31	1.35	18	2783	80.31	32	1.45	19	2621	75.63	32	1.55	20	2505	72.30	32	1.60	22	2269	65.47	33	1.80	25	2012
16	2218	88.01	23	1.25			19	1925	76.39	23	1.45			GFA89 GFAF89 GF89 GFF89	4P	3.4	13760	418	82	0.85			21	1724	68.40	23	1.65	25	1430	56.75	22	1.95			29	1269	50.36			22	2.20	32	1141	45.28			21	2.30	22			1675	66.46	13	0.85	GFA129R89 GFAF129R89 GF129R89 GFF129R89	4P	25	1470	58.32	14	0.95			26	1393	55.27	15	1.00	30	1219	48.37	16	1.15	33	1098	43.58	17	1.30	GFA129R79 GFAF129R79 GF129R79 GFF129R79	4P	38	963	38.23	17	1.45			43	850	33.74	18	1.65	48	754	29.91	18	1.85			56	644	25.54			18	2.10	46			794			31.51							18	1.65	GFA159 GFAF159 GF159 GFF159	8P	50	725	28.75			18	1.85	56	643	25.50	18	2.20	67			540		21.43	19		2.60		73	496		19.70	19			2.80	53	691	27.41	10	1.10	57	633	25.13	11	1.20	GFA129 GFAF129 GF129 GFF129	8P	65	556	22.05			11	1.40			69	527	20.90	11	1.45			79					461							18.29	12	1.65	87	415	16.48	12	1.85	100	364	14.46			12	2.10	113	322	12.76	12	2.40			GFA109 GFAF109 GF109 GFF109	4P	127					285	11.31	12			2.70	149	243							9.66	12	3.20	159	229	9.08	12	2.20	167	217	8.60	12	2.50	191	190	7.53	12	3.00	212	171	6.78	11	3.40	242	150			5.95	11	3.80	274	132	5.25	11	4.20	309			117	4.66	10	4.50	363	100	3.97			10	4.70	68	534	21.17			6.2	1.05	GFA69 GFAF69 GF69 GFF69					4P	75	482			19.11			6.2	1.15	86	424	16.81	6.1	1.35	91	400	15.88	6.1	1.40	107	341	13.52	6.0	1.65	117	310	12.29	6.0	1.80	135	268	10.64	5.8	2.10	155	235	9.31	5.6	1.70	176	206	8.19	5.4	1.90	186	195	7.73	5.4	2.00	219	166	6.58			5.2	2.40	241	151	5.98	5.1	2.60	278	131	5.18	5.0	3.00	11			4415	127.42	26			0.90	GFA99 GFAF99 GF99 GFF99	4P	13	3915					112.99			29	1.05	14	3540	102.16			30	1.15	15	3381	97.58	30	1.20			16	3113	89.85	31					1.30	GFA99 GFAF99 GF99 GFF99			4P	17	3001	86.59	31	1.35	18	2783	80.31	32	1.45	19	2621	75.63	32	1.55	20	2505	72.30	32	1.60	22	2269	65.47	33
19	1925	76.39	23	1.45	GFA89 GFAF89 GF89 GFF89	4P	3.4	13760	418	82	0.85	21	1724			68.40	23	1.65	25	1430			56.75	22	1.95	29	1269	50.36	22	2.20	32	1141			45.28	21	2.30			22	1675	66.46	13	0.85			GFA129R89 GFAF129R89 GF129R89 GFF129R89	4P	25	1470	58.32	14	0.95	26	1393			55.27	15	1.00	30	1219	48.37	16	1.15	33	1098	43.58	17	1.30	GFA129R79 GFAF129R79 GF129R79 GFF129R79	4P	38	963	38.23	17	1.45	43	850			33.74	18	1.65	48	754			29.91	18	1.85	56	644	25.54	18	2.10	46	794			31.51	18	1.65			GFA159 GFAF159 GF159 GFF159	8P	50			725			28.75							18	1.85			56	643	25.50			18	2.20	67	540	21.43	19	2.60	73			496		19.70	19		2.80		53	691	27.41	10	1.10	57		633	25.13	11	1.20	GFA129 GFAF129 GF129 GFF129	8P	65	556	22.05	11	1.40			69	527	20.90			11	1.45			79	461	18.29	12	1.65			87					415							16.48	12	1.85	100	364	14.46	12	2.10	113	322	12.76			12	2.40	GFA109 GFAF109 GF109 GFF109	4P	127	285	11.31					12					2.70	149	243			9.66	12	3.20							159	229	9.08	12	2.20	167	217	8.60	12	2.50	191	190	7.53	12	3.00	212	171	6.78	11	3.40	242	150	5.95	11	3.80			274	132	5.25	11	4.20	309	117	4.66	10			4.50	363	100	3.97	10	4.70	68			534	21.17	6.2	1.05	GFA69 GFAF69 GF69 GFF69			4P	75							482	19.11			6.2			1.15	86	424	16.81	6.1	1.35	91	400	15.88	6.1	1.40	107	341	13.52	6.0	1.65	117	310	12.29	6.0	1.80	135	268	10.64	5.8	2.10	155	235	9.31	5.6	1.70	176	206	8.19	5.4	1.90	186	195	7.73	5.4	2.00	219	166	6.58	5.2			2.40	241	151	5.98	5.1	2.60	278	131	5.18	5.0	3.00	11	4415			127.42	26	0.90			GFA99 GFAF99 GF99 GFF99			4P	13	3915			112.99	29			1.05	14	3540	102.16	30			1.15	15	3381	97.58	30	1.20	16			3113	89.85	31	1.30					GFA99 GFAF99 GF99 GFF99					4P	17	3001	86.59	31	1.35	18	2783	80.31	32	1.45	19	2621	75.63	32	1.55	20	2505	72.30	32	1.60	22	2269	65.47
21	1724	68.40	23	1.65			25	1430	56.75	22	1.95	29	1269			50.36	22	2.20	32	1141			45.28	21	2.30	22	1675	66.46	13	0.85	GFA129R89 GFAF129R89 GF129R89 GFF129R89	4P			25	1470	58.32			14	0.95	26	1393	55.27	15	1.00			30	1219	48.37	16	1.15	33	1098	43.58	17	1.30	GFA129R79 GFAF129R79 GF129R79 GFF129R79	4P	38	963	38.23	17	1.45	43	850	33.74	18	1.65			48	754	29.91	18	1.85	56	644			25.54	18	2.10	46	794			31.51	18	1.65	GFA159 GFAF159 GF159 GFF159	8P	50	725	28.75	18	1.85			56	643	25.50					18			2.20			67	540	21.43					19	2.60			73	496	19.70			19	2.80	53	691	27.41	10	1.10	57			633		25.13	11		1.20	GFA129 GFAF129 GF129 GFF129	8P	65	556	22.05	11	1.40	69	527	20.90	11	1.45			79	461	18.29	12	1.65			87	415	16.48			12	1.85	100	364	14.46	12	2.10	113	322			12.76					12							2.40	GFA109 GFAF109 GF109 GFF109	4P	127	285	11.31	12	2.70	149	243	9.66	12	3.20	159	229			9.08	12	2.20					167					217	8.60	12			2.50	191	190							7.53	12	3.00	212	171	6.78	11	3.40	242	150	5.95	11	3.80	274	132	5.25	11	4.20	309	117	4.66	10	4.50	363	100	3.97	10	4.70	68	534	21.17	6.2	1.05	GFA69 GFAF69 GF69 GFF69	4P	75			482	19.11	6.2	1.15	86	424	16.81			6.1	1.35	91	400					15.88							6.1	1.40			107			341	13.52	6.0	1.65	117	310	12.29	6.0	1.80	135	268	10.64	5.8	2.10	155	235	9.31	5.6	1.70	176	206	8.19	5.4	1.90	186	195	7.73	5.4	2.00	219	166	6.58	5.2	2.40	241	151	5.98	5.1	2.60	278	131	5.18	5.0	3.00	11	4415	127.42	26	0.90	GFA99 GFAF99 GF99 GFF99	4P	13	3915	112.99	29	1.05	14	3540	102.16	30			1.15	15	3381							97.58	30			1.20	16	3113	89.85	31	1.30	GFA99 GFAF99 GF99 GFF99	4P	17			3001	86.59	31	1.35	18	2783	80.31			32	1.45	19	2621											75.63	32	1.55	20	2505	72.30	32	1.60	22	2269	65.47	33	1.80	25	2012	58.06	33	2.00	27	1819	52.49	32	2.20
25	1430	56.75	22	1.95			29	1269	50.36	22	2.20	32	1141			45.28	21	2.30	22	1675			66.46	13	0.85	GFA129R89 GFAF129R89 GF129R89 GFF129R89	4P	25	1470	58.32					14	0.95	26	1393	55.27	15	1.00	30	1219	48.37	16	1.15	33	1098	43.58	17	1.30	GFA129R79 GFAF129R79 GF129R79 GFF129R79	4P	38	963	38.23	17	1.45			43	850	33.74	18	1.65	48	754	29.91	18	1.85			56	644	25.54	18	2.10	46	794			31.51	18	1.65	GFA159 GFAF159 GF159 GFF159	8P			50	725	28.75			18	1.85	56	643	25.50			18	2.20	67					540			21.43			19	2.60	73		496	19.70		19	2.80			53	691	27.41			10	1.10	57	633	25.13	11	1.20	GFA129 GFAF129 GF129 GFF129			8P	65	556	22.05	11	1.40			69	527	20.90	11	1.45	79	461	18.29	12	1.65			87	415	16.48	12	1.85			100	364	14.46			12	2.10	113	322	12.76	12	2.40	GFA109 GFAF109 GF109 GFF109	4P	127	285	11.31					12							2.70			149	243	9.66	12	3.20	159	229	9.08	12	2.20	167	217			8.60	12	2.50	191	190			7.53					12	3.00	212			171	6.78	11							3.40	242	150	5.95	11	3.80	274	132	5.25	11	4.20	309	117	4.66	10	4.50	363	100	3.97	10	4.70	68	534	21.17	6.2	1.05	GFA69 GFAF69 GF69 GFF69	4P	75	482	19.11	6.2	1.15			86	424	16.81	6.1	1.35	91	400	15.88	6.1	1.40			107	341	13.52	6.0					1.65							117	310			12.29			6.0	1.80	135	268	10.64	5.8	2.10	155	235	9.31	5.6	1.70	176	206	8.19	5.4	1.90	186	195	7.73	5.4	2.00	219	166	6.58	5.2	2.40	241	151	5.98	5.1	2.60	278	131	5.18	5.0	3.00	11	4415	127.42	26	0.90	GFA99 GFAF99 GF99 GFF99	4P	13	3915	112.99	29	1.05			14	3540	102.16	30	1.15	15	3381	97.58	30	1.20	16	3113	89.85	31	1.30	GFA99 GFAF99 GF99 GFF99					4P	17			3001	86.59	31	1.35	18	2783			80.31			32	1.45	19	2621	75.63	32	1.55			20	2505	72.30	32											1.60	22	2269	65.47	33	1.80	25	2012	58.06	33	2.00	27	1819	52.49	32	2.20							
29	1269	50.36	22	2.20			32	1141	45.28	21	2.30	22	1675			66.46	13	0.85	GFA129R89 GFAF129R89 GF129R89 GFF129R89	4P			25	1470	58.32			14	0.95	26	1393	55.27	15	1.00	30	1219	48.37	16	1.15	33	1098	43.58	17	1.30	GFA129R79 GFAF129R79 GF129R79 GFF129R79	4P	38	963	38.23	17	1.45			43	850	33.74	18	1.65			48	754	29.91	18	1.85	56	644	25.54	18	2.10			46	794	31.51	18	1.65	GFA159 GFAF159 GF159 GFF159	8P			50	725	28.75					18	1.85	56			643	25.50	18	2.20	67			540	21.43	19					2.60			73			496	19.70	19	2.80	53	691	27.41	10	1.10			57	633	25.13			11	1.20	GFA129 GFAF129 GF129 GFF129	8P	65	556	22.05		11	1.40		69	527	20.90	11	1.45			79	461	18.29	12	1.65	87	415	16.48	12	1.85			100	364	14.46	12	2.10			113	322	12.76			12	2.40	GFA109 GFAF109 GF109 GFF109	4P	127	285	11.31			12	2.70	149			243	9.66	12							3.20			159	229	9.08	12	2.20	167	217	8.60	12	2.50	191	190			7.53	12	3.00	212	171			6.78			11	3.40	242	150	5.95			11	3.80	274							132	5.25	11	4.20	309	117	4.66	10	4.50	363	100	3.97	10	4.70	68	534	21.17	6.2	1.05	GFA69 GFAF69 GF69 GFF69	4P	75	482	19.11	6.2	1.15			86	424	16.81	6.1	1.35			91	400	15.88	6.1	1.40	107	341	13.52	6.0	1.65	117	310	12.29	6.0	1.80	135					268							10.64	5.8			2.10			155	235	9.31	5.6	1.70	176	206	8.19	5.4	1.90	186	195	7.73	5.4	2.00	219	166	6.58	5.2	2.40	241	151	5.98	5.1	2.60	278	131	5.18	5.0	3.00	11	4415	127.42	26	0.90	GFA99 GFAF99 GF99 GFF99	4P	13	3915	112.99	29	1.05			14	3540	102.16	30	1.15			15	3381	97.58	30	1.20	16	3113	89.85	31	1.30	GFA99 GFAF99 GF99 GFF99	4P	17	3001	86.59			31	1.35			18	2783	80.31	32	1.45	19	2621	75.63	32			1.55			20	2505	72.30	32	1.60	22	2269			65.47	33	1.80	25											2012	58.06	33	2.00	27	1819	52.49	32	2.20														
32	1141	45.28	21	2.30			22	1675	66.46	13	0.85	GFA129R89 GFAF129R89 GF129R89 GFF129R89	4P			25	1470	58.32			14	0.95	26	1393	55.27	15	1.00	30	1219	48.37	16	1.15	33	1098	43.58	17	1.30	GFA129R79 GFAF129R79 GF129R79 GFF129R79	4P	38	963	38.23	17	1.45			43	850	33.74	18	1.65			48	754	29.91	18	1.85			56	644	25.54	18	2.10	46	794	31.51	18	1.65			GFA159 GFAF159 GF159 GFF159	8P	50	725	28.75					18	1.85	56					643	25.50	18			2.20	67	540	21.43	19			2.60	73	496					19.70			19	2.80	53	691	27.41	10	1.10	57	633	25.13	11	1.20			GFA129 GFAF129 GF129 GFF129	8P	65	556	22.05	11	1.40			69	527	20.90		11	1.45		79	461	18.29	12	1.65			87	415	16.48	12	1.85	100	364	14.46	12	2.10			113	322	12.76	12	2.40			GFA109 GFAF109 GF109 GFF109	4P	127			285	11.31			12	2.70	149			243	9.66	12			3.20	159	229	9.08	12					2.20			167	217	8.60	12	2.50	191	190	7.53	12	3.00	212	171			6.78	11	3.40	242	150			5.95			11	3.80	274	132	5.25	11	4.20	309	117	4.66							10	4.50	363	100	3.97	10	4.70	68	534	21.17	6.2	1.05	GFA69 GFAF69 GF69 GFF69	4P	75	482	19.11	6.2	1.15			86	424	16.81	6.1	1.35			91	400	15.88	6.1	1.40			107	341	13.52	6.0	1.65	117	310	12.29	6.0	1.80	135	268	10.64	5.8	2.10	155		235	9.31		5.6							1.70	176			206			8.19	5.4	1.90	186	195	7.73	5.4	2.00	219	166	6.58	5.2	2.40	241	151	5.98	5.1	2.60	278	131	5.18	5.0	3.00	11	4415	127.42	26	0.90	GFA99 GFAF99 GF99 GFF99	4P	13	3915	112.99	29	1.05			14	3540	102.16	30	1.15			15	3381	97.58	30	1.20			16	3113	89.85	31	1.30	GFA99 GFAF99 GF99 GFF99	4P	17	3001	86.59			31	1.35	18		2783	80.31	32	1.45		19	2621	75.63	32	1.55	20	2505	72.30	32			1.60	22	2269	65.47	33	1.80	25	2012	58.06	33			2.00	27	1819	52.49											32	2.20																					
22	1675	66.46	13	0.85			GFA129R89 GFAF129R89 GF129R89 GFF129R89	4P	25	1470	58.32			14	0.95	26	1393	55.27	15	1.00	30	1219	48.37	16	1.15	33	1098	43.58	17	1.30	GFA129R79 GFAF129R79 GF129R79 GFF129R79	4P	38	963	38.23	17	1.45			43	850	33.74	18	1.65			48	754	29.91	18	1.85			56	644	25.54	18	2.10			46	794	31.51	18	1.65	GFA159 GFAF159 GF159 GFF159	8P	50	725	28.75					18	1.85	56					643	25.50	18					2.20	67	540			21.43	19	2.60	73	496			19.70	19	2.80					53	691	27.41	10	1.10	57	633	25.13	11	1.20	GFA129 GFAF129 GF129 GFF129	8P	65	556	22.05	11	1.40			69	527	20.90	11	1.45			79	461	18.29		12	1.65		87	415	16.48	12	1.85			100	364	14.46	12	2.10	113	322	12.76	12	2.40			GFA109 GFAF109 GF109 GFF109	4P	127	285	11.31					12			2.70	149			243	9.66	12			3.20	159	229			9.08	12	2.20	167	217		8.60	12		2.50			191	190	7.53	12	3.00	212	171	6.78	11	3.40	242	150			5.95	11	3.80	274	132			5.25			11	4.20	309	117	4.66	10	4.50	363	100	3.97	10	4.70					68	534	21.17	6.2	1.05	GFA69 GFAF69 GF69 GFF69	4P	75	482	19.11	6.2	1.15			86	424	16.81	6.1	1.35			91	400	15.88	6.1	1.40			107	341	13.52	6.0	1.65			117	310	12.29	6.0	1.80	135	268	10.64	5.8	2.10	155	235	9.31	5.6	1.70	176		206	8.19		5.4				1.90	186		195	7.73			5.4			2.00	219	166	6.58	5.2	2.40	241	151	5.98	5.1	2.60	278	131	5.18	5.0	3.00	11	4415	127.42	26	0.90	GFA99 GFAF99 GF99 GFF99	4P	13	3915	112.99	29	1.05			14	3540	102.16	30	1.15			15	3381	97.58	30	1.20			16	3113	89.85	31	1.30	GFA99 GFAF99 GF99 GFF99	4P	17	3001	86.59	31	1.35			18	2783	80.31			32	1.45	19		2621	75.63	32	1.55		20	2505	72.30	32	1.60	22	2269	65.47	33			1.80	25	2012	58.06	33	2.00	27	1819	52.49	32	2.20																																						
25	1470	58.32	14	0.95	26	1393			55.27	15	1.00	30	1219	48.37	16	1.15	33	1098	43.58	17	1.30	GFA129R79 GFAF129R79 GF129R79 GFF129R79	4P	38	963	38.23	17	1.45	43	850			33.74	18	1.65	48	754			29.91	18	1.85	56	644			25.54	18	2.10	46	794			31.51	18	1.65	GFA159 GFAF159 GF159 GFF159	8P			50	725	28.75	18	1.85			56	643	25.50					18	2.20	67					540	21.43	19					2.60	73	496			19.70	19	2.80	53	691			27.41	10	1.10	57	633	25.13	11	1.20	GFA129 GFAF129 GF129 GFF129	8P	65	556	22.05	11	1.40	69	527			20.90	11	1.45	79	461			18.29	12	1.65	87	415			16.48	12	1.85		100	364		14.46	12	2.10	113	322			12.76	12	2.40	GFA109 GFAF109 GF109 GFF109	4P	127	285	11.31	12	2.70					149	243	9.66					12			3.20	159			229	9.08	12			2.20	167	217			8.60	12	2.50	191	190	7.53	12	3.00	212	171			6.78	11	3.40	242	150	5.95	11	3.80	274	132	5.25	11			4.20	309	117	4.66	10			4.50			363	100	3.97	10	4.70	68	534	21.17	6.2	1.05	GFA69 GFAF69 GF69 GFF69	4P		75	482		19.11	6.2	1.15	86	424			16.81	6.1	1.35	91	400			15.88	6.1	1.40	107	341			13.52	6.0	1.65	117	310			12.29	6.0	1.80	135	268			10.64	5.8	2.10	155	235	9.31	5.6	1.70	176	206	8.19	5.4	1.90	186	195	7.73		5.4	2.00		219				166	6.58		5.2	2.40	241	151	5.98			5.1	2.60	278	131	5.18	5.0	3.00	11	4415	127.42	26	0.90	GFA99 GFAF99 GF99 GFF99	4P	13	3915	112.99	29	1.05	14	3540			102.16	30	1.15	15	3381			97.58	30	1.20	16	3113			89.85	31	1.30	GFA99 GFAF99 GF99 GFF99	4P	17	3001	86.59	31	1.35	18	2783			80.31	32	1.45	19	2621			75.63	32	1.55			20	2505	72.30		32	1.60	22	2269		65.47	33	1.80	25	2012	58.06	33	2.00	27			1819	52.49	32	2.20																																													
26	1393	55.27	15	1.00	30	1219	48.37	16	1.15	33	1098	43.58	17	1.30	GFA129R79 GFAF129R79 GF129R79 GFF129R79	4P	38	963	38.23	17	1.45			43	850	33.74	18	1.65	48	754			29.91	18	1.85	56	644			25.54	18	2.10	46	794			31.51	18	1.65	GFA159 GFAF159 GF159 GFF159	8P			50	725	28.75					18	1.85	56	643	25.50			18	2.20	67					540	21.43	19					2.60	73	496					19.70	19	2.80	53	691	27.41	10	1.10	57	633	25.13	11	1.20	GFA129 GFAF129 GF129 GFF129	8P	65	556	22.05	11	1.40			69	527	20.90	11	1.45	79	461			18.29	12	1.65	87	415			16.48	12	1.85	100	364			14.46	12	2.10		113	322		12.76	12	2.40	GFA109 GFAF109 GF109 GFF109	4P			127	285	11.31			12	2.70	149	243	9.66					12	3.20	159					229			9.08	12			2.20	167	217			8.60	12	2.50	191	190	7.53	12	3.00	212	171	6.78	11	3.40	242	150			5.95	11	3.80	274	132	5.25	11	4.20	309	117	4.66	10			4.50	363	100	3.97	10			4.70			68	534	21.17	6.2	1.05	GFA69 GFAF69 GF69 GFF69	4P	75	482	19.11			6.2	1.15	86	424	16.81	6.1	1.35	91	400			15.88	6.1	1.40	107	341			13.52	6.0	1.65	117	310			12.29	6.0	1.80	135	268			10.64	5.8	2.10	155	235			9.31	5.6	1.70	176	206	8.19	5.4	1.90	186	195	7.73	5.4	2.00	219	166	6.58		5.2	2.40		241				151	5.98		5.1	2.60	278	131	5.18	5.0	3.00	11	4415	127.42	26	0.90	GFA99 GFAF99 GF99 GFF99	4P	13	3915	112.99	29	1.05			14	3540	102.16	30	1.15	15	3381			97.58	30	1.20	16	3113			89.85	31	1.30	GFA99 GFAF99 GF99 GFF99	4P	17	3001	86.59	31	1.35			18	2783	80.31	32	1.45	19	2621			75.63	32	1.55	20	2505			72.30	32	1.60			22	2269	65.47		33	1.80	25	2012		58.06	33	2.00	27	1819	52.49	32	2.20																																																				
30	1219	48.37	16	1.15	33	1098	43.58	17	1.30	GFA129R79 GFAF129R79 GF129R79 GFF129R79	4P	38	963	38.23			17	1.45	43	850	33.74			18	1.65	48	754	29.91	18	1.85			56	644	25.54	18	2.10			46	794	31.51	18	1.65			GFA159 GFAF159 GF159 GFF159	8P	50					725	28.75	18					1.85	56	643	25.50	18			2.20	67	540					21.43	19	2.60					73	496	19.70	19	2.80	53	691	27.41	10	1.10	57	633	25.13	11	1.20	GFA129 GFAF129 GF129 GFF129	8P	65	556	22.05			11	1.40	69	527	20.90			11	1.45	79	461	18.29	12	1.65			87	415	16.48	12	1.85			100	364	14.46	12	2.10			113	322	12.76		12	2.40		GFA109 GFAF109 GF109 GFF109	4P	127					285	11.31	12			2.70	149	243	9.66	12					3.20	159	229					9.08	12	2.20	167	217			8.60	12	2.50			191	190	7.53	12	3.00	212	171	6.78	11	3.40	242	150	5.95	11	3.80			274	132	5.25	11	4.20	309	117	4.66	10	4.50	363	100			3.97	10	4.70	68	534			21.17	6.2	1.05	GFA69 GFAF69 GF69 GFF69	4P	75	482	19.11			6.2	1.15	86			424	16.81	6.1	1.35	91	400	15.88	6.1	1.40			107	341	13.52	6.0	1.65			117	310	12.29	6.0	1.80			135	268	10.64	5.8	2.10			155	235	9.31	5.6	1.70			176	206	8.19	5.4	1.90	186	195	7.73	5.4	2.00	219	166	6.58	5.2	2.40	241		151	5.98		5.1		2.60	278	131	5.18		5.0	3.00	11	4415	127.42	26	0.90	GFA99 GFAF99 GF99 GFF99	4P	13	3915	112.99			29	1.05	14	3540	102.16			30	1.15	15	3381	97.58	30	1.20			16	3113	89.85	31	1.30	GFA99 GFAF99 GF99 GFF99	4P	17	3001	86.59			31	1.35	18	2783	80.31			32	1.45	19	2621	75.63	32	1.55			20	2505	72.30	32	1.60			22	2269	65.47			33	1.80	25		2012	58.06	33	2.00		27	1819	52.49	32	2.20																																																							
33	1098	43.58	17	1.30	GFA129R79 GFAF129R79 GF129R79 GFF129R79	4P	38	963	38.23			17	1.45	43			850	33.74	18	1.65	48			754	29.91	18	1.85	56	644	25.54			18	2.10	46	794	31.51			18	1.65	GFA159 GFAF159 GF159 GFF159	8P	50					725					28.75	18	1.85					56	643	25.50	18	2.20			67	540	21.43					19	2.60	73	496	19.70	19	2.80	53	691	27.41	10	1.10	57	633	25.13	11	1.20	GFA129 GFAF129 GF129 GFF129	8P	65	556	22.05			11	1.40	69			527	20.90	11	1.45	79			461	18.29	12	1.65	87	415	16.48			12	1.85	100	364	14.46			12	2.10	113	322	12.76			12	2.40	GFA109 GFAF109 GF109 GFF109		4P	127				285					11.31	12	2.70			149	243	9.66	12	3.20					159	229	9.08	12	2.20			167	217	8.60	12	2.50			191	190	7.53			12	3.00	212	171	6.78	11	3.40	242	150	5.95	11	3.80	274	132	5.25			11	4.20	309	117	4.66	10	4.50	363	100	3.97	10	4.70			68	534	21.17	6.2	1.05	GFA69 GFAF69 GF69 GFF69	4P	75	482	19.11			6.2	1.15	86			424	16.81	6.1			1.35	91	400	15.88	6.1	1.40	107	341	13.52			6.0	1.65	117	310	12.29			6.0	1.80	135	268	10.64			5.8	2.10	155	235	9.31			5.6	1.70	176	206	8.19			5.4	1.90	186	195	7.73	5.4	2.00	219	166	6.58	5.2	2.40	241	151	5.98	5.1		2.60	278		131	5.18	5.0	3.00	11	4415	127.42	26	0.90	GFA99 GFAF99 GF99 GFF99	4P	13	3915	112.99			29	1.05	14			3540	102.16	30	1.15	15			3381	97.58	30	1.20	16	3113	89.85	31	1.30	GFA99 GFAF99 GF99 GFF99	4P	17	3001	86.59			31	1.35	18			2783	80.31	32	1.45	19			2621	75.63	32	1.55	20	2505	72.30			32	1.60	22	2269	65.47			33	1.80	25			2012	58.06	33		2.00	27	1819	52.49		32	2.20																																																										
38	963	38.23	17	1.45			43	850	33.74			18	1.65	48			754	29.91	18	1.85	56			644	25.54	18	2.10	46	794	31.51			18	1.65	GFA159 GFAF159 GF159 GFF159	8P	50			725	28.75			18					1.85					56	643	25.50					18	2.20	67	540	21.43			19	2.60	73	496	19.70	19	2.80	53	691	27.41	10	1.10	57	633	25.13	11	1.20	GFA129 GFAF129 GF129 GFF129	8P	65	556	22.05	11	1.40			69	527	20.90			11	1.45	79			461	18.29	12	1.65	87			415	16.48	12	1.85	100	364	14.46			12	2.10	113	322	12.76			12	2.40	GFA109 GFAF109 GF109 GFF109	4P	127			285	11.31				12				2.70					149	243	9.66			12	3.20	159	229	9.08	12	2.20			167	217	8.60	12	2.50			191	190	7.53	12	3.00			212	171	6.78			11	3.40	242	150	5.95	11	3.80	274	132	5.25	11	4.20	309	117	4.66			10	4.50	363	100	3.97	10	4.70	68	534	21.17	6.2	1.05	GFA69 GFAF69 GF69 GFF69	4P	75	482	19.11	6.2	1.15			86	424	16.81			6.1	1.35	91			400	15.88	6.1			1.40	107	341	13.52	6.0	1.65	117	310	12.29			6.0	1.80	135	268	10.64			5.8	2.10	155	235	9.31			5.6	1.70	176	206	8.19			5.4	1.90	186	195	7.73			5.4	2.00	219	166	6.58	5.2	2.40	241	151	5.98	5.1	2.60	278	131	5.18	5.0	3.00	11	4415	127.42	26	0.90	GFA99 GFAF99 GF99 GFF99	4P	13	3915	112.99	29	1.05			14	3540	102.16			30	1.15	15			3381	97.58	30	1.20	16	3113	89.85	31	1.30	GFA99 GFAF99 GF99 GFF99	4P	17	3001	86.59	31	1.35			18	2783	80.31			32	1.45	19			2621	75.63	32	1.55	20			2505	72.30	32	1.60	22	2269	65.47			33	1.80	25	2012	58.06			33	2.00	27			1819	52.49	32		2.20																																																																
43	850	33.74	18	1.65			48	754	29.91			18	1.85	56			644	25.54	18	2.10	46			794	31.51	18	1.65	GFA159 GFAF159 GF159 GFF159	8P	50			725	28.75			18			1.85	56			643					25.50					18	2.20	67			540	21.43	19	2.60	73	496	19.70	19	2.80	53	691	27.41	10	1.10	57	633	25.13	11	1.20	GFA129 GFAF129 GF129 GFF129	8P	65	556	22.05	11	1.40			69	527	20.90	11	1.45			79	461	18.29			12	1.65	87			415	16.48	12	1.85	100			364	14.46	12	2.10	113	322	12.76			12	2.40	GFA109 GFAF109 GF109 GFF109	4P	127			285	11.31			12			2.70	149				243				9.66			12	3.20	159	229	9.08			12	2.20	167	217	8.60	12	2.50			191	190	7.53	12	3.00			212	171	6.78	11	3.40			242	150	5.95			11	3.80	274	132	5.25	11	4.20	309	117	4.66	10	4.50	363	100	3.97	10	4.70	68	534	21.17	6.2	1.05	GFA69 GFAF69 GF69 GFF69	4P	75	482	19.11	6.2	1.15			86	424	16.81	6.1	1.35			91	400	15.88			6.1	1.40	107			341	13.52	6.0			1.65	117	310	12.29	6.0	1.80	135	268	10.64			5.8	2.10	155	235	9.31			5.6	1.70	176	206	8.19			5.4	1.90	186	195	7.73			5.4	2.00	219	166	6.58	5.2	2.40	241	151	5.98	5.1	2.60	278	131	5.18	5.0	3.00	11	4415	127.42	26	0.90	GFA99 GFAF99 GF99 GFF99	4P	13	3915	112.99	29	1.05			14	3540	102.16	30	1.15			15	3381	97.58			30	1.20	16	3113	89.85	31	1.30	GFA99 GFAF99 GF99 GFF99	4P	17	3001	86.59	31	1.35			18	2783	80.31	32	1.45			19	2621	75.63			32	1.55	20			2505	72.30	32	1.60	22			2269	65.47	33	1.80	25	2012	58.06			33	2.00	27	1819	52.49			32	2.20																																																																								
48	754	29.91	18	1.85			56	644	25.54			18	2.10	46			794	31.51	18	1.65	GFA159 GFAF159 GF159 GFF159			8P	50	725	28.75			18			1.85	56			643			25.50	18			2.20					67			540	21.43	19	2.60	73	496	19.70	19	2.80	53	691	27.41	10	1.10	57	633	25.13	11	1.20	GFA129 GFAF129 GF129 GFF129	8P	65	556	22.05	11	1.40			69	527	20.90	11	1.45			79	461	18.29	12	1.65			87	415	16.48			12	1.85	100			364	14.46	12	2.10	113			322	12.76	12	2.40	GFA109 GFAF109 GF109 GFF109	4P	127			285	11.31			12			2.70	149			243			9.66	12		3.20		159	229			9.08			12	2.20	167	217	8.60			12	2.50	191	190	7.53	12	3.00			212	171	6.78	11	3.40			242	150	5.95	11	3.80			274	132	5.25	11	4.20	309	117	4.66	10	4.50	363	100	3.97	10	4.70	68	534	21.17	6.2	1.05	GFA69 GFAF69 GF69 GFF69	4P	75	482	19.11	6.2	1.15			86	424	16.81	6.1	1.35			91	400	15.88	6.1	1.40			107	341	13.52			6.0	1.65	117			310	12.29	6.0			1.80	135	268	10.64	5.8	2.10	155	235	9.31			5.6	1.70	176	206	8.19			5.4	1.90	186	195	7.73			5.4	2.00	219	166	6.58	5.2	2.40	241	151	5.98	5.1	2.60	278	131	5.18	5.0	3.00	11	4415	127.42	26	0.90	GFA99 GFAF99 GF99 GFF99	4P	13	3915	112.99	29	1.05			14	3540	102.16	30	1.15			15	3381	97.58	30	1.20			16	3113	89.85	31	1.30	GFA99 GFAF99 GF99 GFF99	4P	17	3001	86.59	31	1.35			18	2783	80.31	32	1.45			19	2621	75.63	32	1.55			20	2505	72.30			32	1.60	22			2269	65.47	33	1.80	25			2012	58.06	33	2.00	27	1819	52.49			32	2.20																																																																															
56	644	25.54	18	2.10			46	794	31.51			18	1.65	GFA159 GFAF159 GF159 GFF159			8P	50	725	28.75					18	1.85	56			643			25.50	18			2.20			67	540			21.43	19	2.60			73	496	19.70	19	2.80	53	691	27.41	10	1.10	57	633	25.13	11	1.20	GFA129 GFAF129 GF129 GFF129	8P	65	556	22.05	11	1.40			69	527	20.90	11	1.45			79	461	18.29	12	1.65			87	415	16.48	12	1.85			100	364	14.46			12	2.10	113			322	12.76	12	2.40	GFA109 GFAF109 GF109 GFF109			4P	127	285	11.31			12			2.70	149			243			9.66	12			3.20	159	229	9.08	12		2.20		167	217			8.60			12	2.50	191	190	7.53			12	3.00	212	171	6.78	11	3.40			242	150	5.95	11	3.80			274	132	5.25	11	4.20	309	117	4.66	10	4.50	363	100	3.97	10	4.70	68	534	21.17	6.2	1.05	GFA69 GFAF69 GF69 GFF69	4P	75	482	19.11	6.2	1.15			86	424	16.81	6.1	1.35			91	400	15.88	6.1	1.40			107	341	13.52	6.0	1.65			117	310	12.29			6.0	1.80	135			268	10.64	5.8			2.10	155	235	9.31	5.6	1.70	176	206	8.19			5.4	1.90	186	195	7.73			5.4	2.00	219	166	6.58	5.2	2.40	241	151	5.98	5.1	2.60	278	131	5.18	5.0	3.00	11	4415	127.42	26	0.90	GFA99 GFAF99 GF99 GFF99	4P	13	3915	112.99	29	1.05			14	3540	102.16	30	1.15			15	3381	97.58	30	1.20			16	3113	89.85	31	1.30	GFA99 GFAF99 GF99 GFF99	4P	17	3001	86.59	31	1.35			18	2783	80.31	32	1.45			19	2621	75.63	32	1.55			20	2505	72.30	32	1.60			22	2269	65.47			33	1.80	25			2012	58.06	33	2.00	27			1819	52.49	32	2.20																																																																																						
46	794	31.51	18	1.65			GFA159 GFAF159 GF159 GFF159	8P	50			725	28.75					18	1.85	56					643	25.50	18			2.20			67	540			21.43	19	2.60	73	496			19.70	19	2.80	53	691	27.41	10	1.10	57	633	25.13	11	1.20	GFA129 GFAF129 GF129 GFF129	8P	65	556	22.05	11	1.40			69	527	20.90	11	1.45			79	461	18.29	12	1.65			87	415	16.48	12	1.85			100	364	14.46	12	2.10			113	322	12.76			12	2.40	GFA109 GFAF109 GF109 GFF109			4P	127	285	11.31					12	2.70	149			243			9.66	12			3.20	159	229	9.08	12			2.20	167	217	8.60	12		2.50		191	190			7.53			12	3.00	212	171	6.78			11	3.40	242	150	5.95	11	3.80			274	132	5.25	11	4.20	309	117	4.66	10	4.50	363	100	3.97	10	4.70	68	534	21.17	6.2	1.05	GFA69 GFAF69 GF69 GFF69	4P	75	482	19.11	6.2	1.15			86	424	16.81	6.1	1.35			91	400	15.88	6.1	1.40			107	341	13.52	6.0	1.65			117	310	12.29	6.0	1.80			135	268	10.64			5.8	2.10	155			235	9.31	5.6			1.70	176	206	8.19	5.4	1.90	186	195	7.73			5.4	2.00	219	166	6.58	5.2	2.40	241	151	5.98	5.1	2.60	278	131	5.18	5.0	3.00	11	4415	127.42	26	0.90	GFA99 GFAF99 GF99 GFF99	4P	13	3915	112.99	29	1.05			14	3540	102.16	30	1.15			15	3381	97.58	30	1.20			16	3113	89.85	31	1.30	GFA99 GFAF99 GF99 GFF99	4P	17	3001	86.59	31	1.35			18	2783	80.31	32	1.45			19	2621	75.63	32	1.55			20	2505	72.30	32	1.60			22	2269	65.47	33	1.80			25	2012	58.06			33	2.00	27			1819	52.49	32	2.20																																																																																													
50	725	28.75	18	1.85					56			643	25.50					18	2.20	67					540	21.43	19			2.60	73	496	19.70	19			2.80	53	691	27.41	10	1.10	57	633	25.13	11	1.20	GFA129 GFAF129 GF129 GFF129	8P	65	556	22.05	11	1.40	69	527			20.90	11	1.45	79	461			18.29	12	1.65	87	415			16.48	12	1.85	100	364			14.46	12	2.10	113	322			12.76	12	2.40	GFA109 GFAF109 GF109 GFF109	4P			127	285	11.31			12	2.70					149	243	9.66					12	3.20	159			229	9.08	12	2.20	167			217	8.60	12	2.50	191			190	7.53	12	3.00	212		171		6.78	11			3.40			242	150	5.95	11	3.80			274	132	5.25	11	4.20	309	117	4.66	10	4.50	363	100	3.97	10	4.70	68	534	21.17	6.2	1.05	GFA69 GFAF69 GF69 GFF69	4P	75	482	19.11	6.2	1.15	86	424			16.81	6.1	1.35	91	400			15.88	6.1	1.40	107	341			13.52	6.0	1.65	117	310			12.29	6.0	1.80	135	268			10.64	5.8	2.10	155	235			9.31	5.6	1.70			176	206	8.19			5.4	1.90	186			195	7.73	5.4	2.00	219	166	6.58	5.2	2.40	241	151	5.98	5.1	2.60	278	131	5.18	5.0	3.00	11	4415	127.42	26	0.90	GFA99 GFAF99 GF99 GFF99	4P	13	3915	112.99	29	1.05	14	3540			102.16	30	1.15	15	3381			97.58	30	1.20	16	3113			89.85	31	1.30	GFA99 GFAF99 GF99 GFF99	4P	17	3001	86.59	31	1.35	18	2783			80.31	32	1.45	19	2621			75.63	32	1.55	20	2505			72.30	32	1.60	22	2269			65.47	33	1.80	25	2012			58.06	33	2.00	27	1819			52.49	32	2.20																																																																																																								
56	643	25.50	18	2.20					67			540	21.43					19	2.60	73		496	19.70		19	2.80	53			691	27.41	10	1.10	57	633	25.13	11	1.20	GFA129 GFAF129 GF129 GFF129	8P	65	556	22.05	11	1.40	69	527			20.90	11	1.45	79	461	18.29	12			1.65	87	415	16.48	12			1.85	100	364	14.46	12			2.10	113	322	12.76	12			2.40	GFA109 GFAF109 GF109 GFF109	4P	127	285			11.31	12	2.70					149	243	9.66			12	3.20					159	229	9.08		12	2.20		167	217	8.60			12	2.50	191	190	7.53			12	3.00	212	171	6.78			11	3.40	242	150	5.95		11		3.80	274			132			5.25	11	4.20	309	117	4.66	10	4.50	363	100	3.97	10	4.70	68	534	21.17	6.2	1.05	GFA69 GFAF69 GF69 GFF69	4P	75	482	19.11	6.2	1.15	86	424			16.81	6.1	1.35	91	400	15.88	6.1			1.40	107	341	13.52	6.0			1.65	117	310	12.29	6.0			1.80	135	268	10.64	5.8			2.10	155	235	9.31	5.6			1.70	176	206	8.19	5.4			1.90	186	195			7.73	5.4	2.00			219	166	6.58	5.2	2.40	241	151	5.98	5.1	2.60	278	131	5.18	5.0	3.00	11	4415	127.42	26	0.90	GFA99 GFAF99 GF99 GFF99	4P	13	3915	112.99	29	1.05	14	3540			102.16	30	1.15	15	3381	97.58	30			1.20	16	3113	89.85	31			1.30	GFA99 GFAF99 GF99 GFF99	4P	17	3001	86.59	31	1.35	18	2783			80.31	32	1.45	19	2621	75.63	32			1.55	20	2505	72.30	32			1.60	22	2269	65.47	33			1.80	25	2012	58.06	33			2.00	27	1819	52.49	32			2.20																																																																																																																	
67	540	21.43	19	2.60					73			496	19.70		19	2.80		53	691	27.41		10	1.10		57	633	25.13	11	1.20	GFA129 GFAF129 GF129 GFF129	8P	65	556	22.05	11	1.40	69	527			20.90	11	1.45	79	461	18.29	12			1.65	87	415	16.48	12	1.85	100			364	14.46	12	2.10	113			322	12.76	12	2.40	GFA109 GFAF109 GF109 GFF109			4P	127	285	11.31	12			2.70			149	243			9.66	12	3.20					159	229	9.08			12	2.20		167	217		8.60	12	2.50		191	190		7.53	12	3.00			212	171	6.78	11	3.40			242	150	5.95	11	3.80			274	132	5.25	11	4.20		309		117	4.66			10	4.50	363	100	3.97	10	4.70	68	534	21.17	6.2	1.05	GFA69 GFAF69 GF69 GFF69	4P	75	482	19.11	6.2	1.15	86	424			16.81	6.1	1.35	91	400	15.88	6.1			1.40	107	341	13.52	6.0	1.65	117			310	12.29	6.0	1.80	135			268	10.64	5.8	2.10	155			235	9.31	5.6	1.70	176			206	8.19	5.4	1.90	186			195	7.73	5.4	2.00	219			166	6.58	5.2			2.40	241	151	5.98	5.1	2.60	278	131	5.18	5.0	3.00	11	4415	127.42	26	0.90	GFA99 GFAF99 GF99 GFF99	4P	13	3915	112.99	29	1.05	14	3540			102.16	30	1.15	15	3381	97.58	30			1.20	16	3113	89.85	31	1.30	GFA99 GFAF99 GF99 GFF99			4P	17	3001	86.59	31	1.35	18	2783			80.31	32	1.45	19	2621	75.63	32			1.55	20	2505	72.30	32	1.60	22			2269	65.47	33	1.80	25			2012	58.06	33	2.00	27			1819	52.49	32	2.20																																																																																																																												
73	496	19.70	19	2.80					53	691	27.41	10	1.10		57	633		25.13	11	1.20	GFA129 GFAF129 GF129 GFF129	8P	65	556	22.05	11	1.40	69	527			20.90	11	1.45	79	461	18.29	12			1.65	87	415	16.48	12	1.85	100			364	14.46	12	2.10	113	322	12.76			12	2.40	GFA109 GFAF109 GF109 GFF109	4P	127			285	11.31	12	2.70					149	243	9.66	12			3.20			159	229			9.08	12	2.20					167	217	8.60	12	2.50	191	190		7.53	12		3.00	212	171		6.78	11		3.40	242	150			5.95	11	3.80	274	132			5.25	11	4.20	309	117			4.66	10	4.50	363	100		3.97		10	4.70	68	534	21.17	6.2	1.05	GFA69 GFAF69 GF69 GFF69	4P	75	482	19.11	6.2	1.15	86	424			16.81	6.1	1.35	91	400	15.88	6.1			1.40	107	341	13.52	6.0	1.65	117			310	12.29	6.0	1.80	135	268	10.64			5.8	2.10	155	235	9.31			5.6	1.70	176	206	8.19			5.4	1.90	186	195	7.73			5.4	2.00	219	166	6.58			5.2	2.40	241	151	5.98			5.1	2.60	278	131	5.18	5.0	3.00	11	4415	127.42	26	0.90	GFA99 GFAF99 GF99 GFF99	4P	13	3915	112.99	29	1.05	14	3540			102.16	30	1.15	15	3381	97.58	30			1.20	16	3113	89.85	31	1.30	GFA99 GFAF99 GF99 GFF99			4P	17	3001	86.59	31	1.35		18	2783		80.31	32	1.45	19	2621	75.63	32			1.55	20	2505	72.30	32	1.60	22			2269	65.47	33	1.80	25	2012	58.06			33	2.00	27	1819	52.49			32	2.20																																																																																																																																					
53	691	27.41	10	1.10	57	633			25.13	11	1.20	GFA129 GFAF129 GF129 GFF129	8P	65	556	22.05	11	1.40	69	527			20.90	11	1.45	79	461	18.29	12			1.65	87	415	16.48	12	1.85	100			364	14.46	12	2.10	113	322	12.76			12	2.40	GFA109 GFAF109 GF109 GFF109	4P	127	285	11.31			12	2.70			149			243	9.66	12	3.20					159	229	9.08	12			2.20			167	217			8.60	12	2.50			191	190	7.53	12	3.00	212	171	6.78	11		3.40	242		150	5.95	11		3.80	274		132	5.25	11			4.20	309	117	4.66	10			4.50	363	100	3.97	10			4.70	68	534	21.17	6.2	1.05	GFA69 GFAF69 GF69 GFF69	4P	75	482	19.11	6.2	1.15	86	424			16.81	6.1	1.35	91	400	15.88	6.1			1.40	107	341	13.52	6.0	1.65	117			310	12.29	6.0	1.80	135	268	10.64			5.8	2.10	155	235	9.31	5.6	1.70			176	206	8.19	5.4	1.90			186	195	7.73	5.4	2.00			219	166	6.58	5.2	2.40			241	151	5.98	5.1	2.60			278	131	5.18	5.0	3.00	11	4415	127.42	26	0.90	GFA99 GFAF99 GF99 GFF99	4P	13	3915	112.99	29	1.05	14	3540			102.16	30	1.15	15	3381	97.58	30			1.20	16	3113	89.85	31	1.30	GFA99 GFAF99 GF99 GFF99			4P	17	3001	86.59	31	1.35		18	2783		80.31	32	1.45	19	2621		75.63	32		1.55	20	2505	72.30	32	1.60	22			2269	65.47	33	1.80	25	2012	58.06			33	2.00	27	1819	52.49	32	2.20																																																																																																																																																
57	633	25.13	11	1.20	GFA129 GFAF129 GF129 GFF129	8P	65	556	22.05	11	1.40			69	527	20.90	11	1.45	79	461			18.29	12	1.65	87	415	16.48	12			1.85	100	364	14.46	12	2.10	113			322	12.76	12	2.40	GFA109 GFAF109 GF109 GFF109	4P	127			285	11.31			12	2.70	149			243	9.66			12			3.20	159	229	9.08					12	2.20	167	217			8.60			12	2.50	191	190	7.53	12	3.00			212	171	6.78	11	3.40	242	150	5.95	11		3.80	274		132	5.25	11		4.20	309		117	4.66	10			4.50	363	100	3.97	10			4.70	68	534	21.17	6.2	1.05	GFA69 GFAF69 GF69 GFF69	4P	75	482	19.11	6.2	1.15			86	424	16.81	6.1	1.35	91	400			15.88	6.1	1.40	107	341	13.52	6.0			1.65	117	310	12.29	6.0	1.80	135			268	10.64	5.8	2.10	155	235	9.31			5.6	1.70	176	206	8.19	5.4	1.90			186	195	7.73	5.4	2.00			219	166	6.58	5.2	2.40			241	151	5.98	5.1	2.60			278	131	5.18	5.0	3.00	11	4415	127.42	26	0.90	GFA99 GFAF99 GF99 GFF99	4P	13	3915	112.99	29	1.05			14	3540	102.16	30	1.15	15	3381			97.58	30	1.20	16	3113	89.85	31			1.30	GFA99 GFAF99 GF99 GFF99	4P	17	3001	86.59		31	1.35		18	2783	80.31	32	1.45		19	2621		75.63	32	1.55	20	2505		72.30	32		1.60	22	2269	65.47	33	1.80	25			2012	58.06	33	2.00	27	1819	52.49			32	2.20																																																																																																																																																					
65	556	22.05	11	1.40			69	527	20.90	11	1.45			79	461	18.29	12	1.65	87	415			16.48	12	1.85	100	364	14.46	12			2.10	113	322	12.76	12	2.40	GFA109 GFAF109 GF109 GFF109			4P	127	285	11.31			12			2.70	149			243	9.66	12			3.20	159			229			9.08	12	2.20	167					217	8.60	12	2.50	191	190	7.53			12	3.00	212	171	6.78	11	3.40			242	150	5.95	11	3.80	274	132	5.25	11		4.20	309		117	4.66	10		4.50	363		100	3.97	10			4.70	68	534	21.17	6.2	1.05	GFA69 GFAF69 GF69 GFF69	4P	75	482	19.11	6.2	1.15			86	424	16.81	6.1	1.35			91	400	15.88	6.1	1.40	107	341			13.52	6.0	1.65	117	310	12.29	6.0			1.80	135	268	10.64	5.8	2.10	155			235	9.31	5.6	1.70	176	206	8.19			5.4	1.90	186	195	7.73	5.4	2.00			219	166	6.58	5.2	2.40			241	151	5.98	5.1	2.60			278	131	5.18	5.0	3.00	11	4415	127.42	26	0.90	GFA99 GFAF99 GF99 GFF99	4P	13	3915	112.99	29	1.05			14	3540	102.16	30	1.15			15	3381	97.58	30	1.20	16	3113			89.85	31	1.30	GFA99 GFAF99 GF99 GFF99	4P	17	3001	86.59	31	1.35			18	2783	80.31		32	1.45		19	2621	75.63	32	1.55		20	2505		72.30	32	1.60	22	2269		65.47	33		1.80	25	2012	58.06	33	2.00	27			1819	52.49	32	2.20																																																																																																																																																												
69	527	20.90	11	1.45			79	461	18.29	12	1.65			87	415	16.48	12	1.85	100	364			14.46	12	2.10	113	322	12.76	12			2.40	GFA109 GFAF109 GF109 GFF109	4P	127	285	11.31					12	2.70	149			243			9.66	12			3.20	159	229			9.08	12			2.20			167	217	8.60	12		2.50	191		190	7.53	12	3.00	212	171	6.78			11	3.40	242	150	5.95	11	3.80			274	132	5.25	11	4.20	309	117	4.66	10		4.50	363		100	3.97	10		4.70	68		534	21.17	6.2	1.05	GFA69 GFAF69 GF69 GFF69	4P	75	482	19.11	6.2	1.15			86	424	16.81	6.1	1.35			91	400	15.88	6.1	1.40			107	341	13.52	6.0	1.65	117	310			12.29	6.0	1.80	135	268	10.64	5.8			2.10	155	235	9.31	5.6	1.70	176			206	8.19	5.4	1.90	186	195	7.73			5.4	2.00	219	166	6.58	5.2	2.40			241	151	5.98	5.1	2.60			278	131	5.18	5.0	3.00	11	4415	127.42	26	0.90	GFA99 GFAF99 GF99 GFF99	4P	13	3915	112.99	29	1.05			14	3540	102.16	30	1.15			15	3381	97.58	30	1.20			16	3113	89.85	31	1.30	GFA99 GFAF99 GF99 GFF99	4P	17	3001	86.59	31	1.35			18	2783	80.31	32	1.45			19	2621	75.63		32	1.55		20	2505	72.30	32	1.60		22	2269		65.47	33	1.80	25	2012		58.06	33		2.00	27	1819	52.49	32	2.20																																																																																																																																																																			
79	461	18.29	12	1.65			87	415	16.48	12	1.85			100	364	14.46	12	2.10	113	322			12.76	12	2.40	GFA109 GFAF109 GF109 GFF109	4P	127	285			11.31			12	2.70	149					243	9.66	12			3.20			159	229			9.08	12	2.20			167	217			8.60	12	2.50	191	190	7.53	12		3.00	212		171	6.78	11	3.40	242	150	5.95			11	3.80	274	132	5.25	11	4.20			309	117	4.66	10	4.50	363	100	3.97	10		4.70	68		534	21.17	6.2	1.05	GFA69 GFAF69 GF69 GFF69	4P	75	482	19.11	6.2	1.15			86	424	16.81	6.1	1.35			91	400	15.88	6.1	1.40			107	341	13.52	6.0	1.65			117	310	12.29	6.0	1.80	135	268			10.64	5.8	2.10	155	235	9.31	5.6			1.70	176	206	8.19	5.4	1.90	186			195	7.73	5.4	2.00	219	166	6.58			5.2	2.40	241	151	5.98	5.1	2.60			278	131	5.18	5.0	3.00	11	4415	127.42	26	0.90	GFA99 GFAF99 GF99 GFF99	4P	13	3915	112.99	29	1.05			14	3540	102.16	30	1.15			15	3381	97.58	30	1.20			16	3113	89.85	31	1.30	GFA99 GFAF99 GF99 GFF99	4P	17	3001	86.59	31	1.35			18	2783	80.31	32	1.45			19	2621	75.63	32	1.55			20	2505	72.30		32	1.60		22	2269	65.47	33	1.80		25	2012		58.06	33	2.00	27	1819		52.49	32		2.20																																																																																																																																																																								
87	415	16.48	12	1.85			100	364	14.46	12	2.10			113	322	12.76	12	2.40	GFA109 GFAF109 GF109 GFF109	4P			127	285	11.31			12	2.70			149			243	9.66	12					3.20	159	229			9.08			12	2.20			167	217	8.60	12	2.50	191	190			7.53	12	3.00	212	171	6.78	11		3.40	242		150	5.95	11	3.80	274	132	5.25			11	4.20	309	117	4.66	10	4.50			363	100	3.97	10	4.70	68	534	21.17	6.2	1.05	GFA69 GFAF69 GF69 GFF69	4P	75	482	19.11	6.2	1.15			86	424	16.81	6.1	1.35			91	400	15.88	6.1	1.40			107	341	13.52	6.0	1.65			117	310	12.29	6.0	1.80			135	268	10.64	5.8	2.10	155	235			9.31	5.6	1.70	176	206	8.19	5.4			1.90	186	195	7.73	5.4	2.00	219			166	6.58	5.2	2.40	241	151	5.98			5.1	2.60	278	131	5.18	5.0	3.00	11	4415	127.42	26	0.90	GFA99 GFAF99 GF99 GFF99	4P	13	3915	112.99	29	1.05			14	3540	102.16	30	1.15			15	3381	97.58	30	1.20			16	3113	89.85	31	1.30	GFA99 GFAF99 GF99 GFF99	4P	17	3001	86.59	31	1.35			18	2783	80.31	32	1.45			19	2621	75.63	32	1.55			20	2505	72.30	32	1.60			22	2269	65.47		33	1.80		25	2012	58.06	33	2.00		27	1819		52.49	32	2.20																																																																																																																																																																															
100	364	14.46	12	2.10			113	322	12.76	12	2.40			GFA109 GFAF109 GF109 GFF109	4P	127	285	11.31					12	2.70	149			243	9.66			12			3.20	159	229					9.08	12	2.20			167	217	8.60	12	2.50			191	190	7.53	12	3.00	212	171			6.78	11	3.40	242	150	5.95	11		3.80	274		132	5.25	11	4.20	309	117	4.66			10	4.50	363	100	3.97	10	4.70	68	534	21.17	6.2	1.05	GFA69 GFAF69 GF69 GFF69	4P	75	482	19.11	6.2	1.15			86	424	16.81	6.1	1.35			91	400	15.88	6.1	1.40			107	341	13.52	6.0	1.65			117	310	12.29	6.0	1.80			135	268	10.64	5.8	2.10			155	235	9.31	5.6	1.70	176	206			8.19	5.4	1.90	186	195	7.73	5.4			2.00	219	166	6.58	5.2	2.40	241			151	5.98	5.1	2.60	278	131	5.18	5.0	3.00	11	4415	127.42	26	0.90	GFA99 GFAF99 GF99 GFF99	4P	13	3915	112.99	29	1.05			14	3540	102.16	30	1.15			15	3381	97.58	30	1.20			16	3113	89.85	31	1.30	GFA99 GFAF99 GF99 GFF99	4P	17	3001	86.59	31	1.35			18	2783	80.31	32	1.45			19	2621	75.63	32	1.55			20	2505	72.30	32	1.60			22	2269	65.47	33	1.80			25	2012	58.06		33	2.00		27	1819	52.49	32	2.20																																																																																																																																																																																						
113	322	12.76	12	2.40			GFA109 GFAF109 GF109 GFF109	4P	127	285	11.31					12	2.70	149					243	9.66	12			3.20	159			229			9.08	12	2.20		167	217		8.60	12	2.50			191	190	7.53	12	3.00			212	171	6.78	11	3.40	242	150			5.95	11	3.80	274	132	5.25	11		4.20	309		117	4.66	10	4.50	363	100	3.97	10	4.70	68	534	21.17	6.2	1.05	GFA69 GFAF69 GF69 GFF69	4P	75	482	19.11	6.2	1.15			86	424	16.81	6.1	1.35			91	400	15.88	6.1	1.40			107	341	13.52	6.0	1.65			117	310	12.29	6.0	1.80			135	268	10.64	5.8	2.10			155	235	9.31	5.6	1.70			176	206	8.19	5.4	1.90	186	195			7.73	5.4	2.00	219	166	6.58	5.2			2.40	241	151	5.98	5.1	2.60	278	131	5.18	5.0	3.00	11	4415	127.42	26	0.90	GFA99 GFAF99 GF99 GFF99	4P	13	3915	112.99	29	1.05			14	3540	102.16	30	1.15			15	3381	97.58	30	1.20			16	3113	89.85	31	1.30	GFA99 GFAF99 GF99 GFF99	4P	17	3001	86.59	31	1.35			18	2783	80.31	32	1.45			19	2621	75.63	32	1.55			20	2505	72.30	32	1.60			22	2269	65.47	33	1.80			25	2012	58.06	33	2.00			27	1819	52.49		32	2.20																																																																																																																																																																																												
127	285	11.31	12	2.70					149	243	9.66					12	3.20	159					229	9.08	12			2.20	167	217	8.60	12			2.50	191	190		7.53	12		3.00	212	171			6.78	11	3.40	242	150			5.95	11	3.80	274	132	5.25	11			4.20	309	117	4.66	10	4.50	363	100	3.97	10	4.70	68	534	21.17	6.2	1.05	GFA69 GFAF69 GF69 GFF69	4P	75	482	19.11	6.2	1.15	86	424			16.81	6.1	1.35	91	400			15.88	6.1	1.40	107	341			13.52	6.0	1.65	117	310			12.29	6.0	1.80	135	268			10.64	5.8	2.10	155	235			9.31	5.6	1.70	176	206			8.19	5.4	1.90	186	195			7.73	5.4	2.00	219	166	6.58	5.2			2.40	241	151	5.98	5.1	2.60	278	131	5.18	5.0	3.00	11	4415	127.42	26	0.90	GFA99 GFAF99 GF99 GFF99	4P	13	3915	112.99	29	1.05	14	3540			102.16	30	1.15	15	3381			97.58	30	1.20	16	3113			89.85	31	1.30	GFA99 GFAF99 GF99 GFF99	4P	17	3001	86.59	31	1.35	18	2783			80.31	32	1.45	19	2621			75.63	32	1.55	20	2505			72.30	32	1.60	22	2269			65.47	33	1.80	25	2012			58.06	33	2.00	27	1819			52.49	32	2.20																																																																																																																																																																																																						
149	243	9.66	12	3.20					159	229	9.08					12	2.20	167			217	8.60	12	2.50	191			190	7.53	12	3.00	212			171	6.78	11		3.40	242		150	5.95	11			3.80	274	132	5.25	11			4.20	309	117	4.66	10	4.50	363	100	3.97	10	4.70	68	534	21.17	6.2	1.05	GFA69 GFAF69 GF69 GFF69	4P	75	482	19.11	6.2	1.15	86	424			16.81	6.1	1.35	91	400	15.88	6.1			1.40	107	341	13.52	6.0			1.65	117	310	12.29	6.0			1.80	135	268	10.64	5.8			2.10	155	235	9.31	5.6			1.70	176	206	8.19	5.4			1.90	186	195	7.73	5.4			2.00	219	166	6.58	5.2			2.40	241	151	5.98	5.1	2.60	278	131	5.18	5.0	3.00	11	4415	127.42	26	0.90	GFA99 GFAF99 GF99 GFF99	4P	13	3915	112.99	29	1.05	14	3540			102.16	30	1.15	15	3381	97.58	30			1.20	16	3113	89.85	31			1.30	GFA99 GFAF99 GF99 GFF99	4P	17	3001	86.59	31	1.35	18	2783			80.31	32	1.45	19	2621	75.63	32			1.55	20	2505	72.30	32			1.60	22	2269	65.47	33			1.80	25	2012	58.06	33			2.00	27	1819	52.49	32			2.20																																																																																																																																																																																																															
159	229	9.08	12	2.20					167	217	8.60	12	2.50			191	190	7.53			12	3.00	212	171	6.78			11	3.40	242	150	5.95			11	3.80	274		132	5.25		11	4.20	309			117	4.66	10	4.50	363	100	3.97	10	4.70	68	534	21.17	6.2	1.05	GFA69 GFAF69 GF69 GFF69	4P	75	482	19.11	6.2	1.15	86	424			16.81	6.1	1.35	91	400	15.88	6.1			1.40	107	341	13.52	6.0	1.65	117			310	12.29	6.0	1.80	135			268	10.64	5.8	2.10	155			235	9.31	5.6	1.70	176			206	8.19	5.4	1.90	186			195	7.73	5.4	2.00	219			166	6.58	5.2	2.40	241			151	5.98	5.1	2.60	278	131	5.18	5.0	3.00	11	4415	127.42	26	0.90	GFA99 GFAF99 GF99 GFF99	4P	13	3915	112.99	29	1.05	14	3540			102.16	30	1.15	15	3381	97.58	30			1.20	16	3113	89.85	31	1.30	GFA99 GFAF99 GF99 GFF99			4P	17	3001	86.59	31	1.35	18	2783			80.31	32	1.45	19	2621	75.63	32			1.55	20	2505	72.30	32	1.60	22			2269	65.47	33	1.80	25			2012	58.06	33	2.00	27			1819	52.49	32	2.20																																																																																																																																																																																																																										
167	217	8.60	12	2.50	191	190			7.53	12	3.00	212	171			6.78	11	3.40			242	150	5.95	11	3.80			274	132	5.25	11	4.20			309	117	4.66		10	4.50		363	100	3.97	10	4.70	68	534	21.17	6.2	1.05	GFA69 GFAF69 GF69 GFF69	4P	75	482	19.11	6.2	1.15	86	424			16.81	6.1	1.35	91	400	15.88	6.1			1.40	107	341	13.52	6.0	1.65	117			310	12.29	6.0	1.80	135	268	10.64			5.8	2.10	155	235	9.31			5.6	1.70	176	206	8.19			5.4	1.90	186	195	7.73			5.4	2.00	219	166	6.58			5.2	2.40	241	151	5.98			5.1	2.60	278	131	5.18	5.0	3.00	11	4415	127.42	26	0.90	GFA99 GFAF99 GF99 GFF99	4P	13	3915	112.99	29	1.05	14	3540			102.16	30	1.15	15	3381	97.58	30			1.20	16	3113	89.85	31	1.30	GFA99 GFAF99 GF99 GFF99			4P	17	3001	86.59	31	1.35		18	2783		80.31	32	1.45	19	2621	75.63	32			1.55	20	2505	72.30	32	1.60	22			2269	65.47	33	1.80	25	2012	58.06			33	2.00	27	1819	52.49			32	2.20																																																																																																																																																																																																																																			
191	190	7.53	12	3.00	212	171			6.78	11	3.40	242	150			5.95	11	3.80			274	132	5.25	11	4.20			309	117	4.66	10	4.50			363	100	3.97	10	4.70	68	534	21.17	6.2	1.05	GFA69 GFAF69 GF69 GFF69	4P	75	482	19.11	6.2	1.15			86	424	16.81	6.1	1.35	91	400			15.88	6.1	1.40	107	341	13.52	6.0			1.65	117	310	12.29	6.0	1.80	135			268	10.64	5.8	2.10	155	235	9.31			5.6	1.70	176	206	8.19			5.4	1.90	186	195	7.73			5.4	2.00	219	166	6.58			5.2	2.40	241	151	5.98			5.1	2.60	278	131	5.18	5.0	3.00	11	4415	127.42	26	0.90	GFA99 GFAF99 GF99 GFF99	4P	13	3915	112.99	29	1.05			14	3540	102.16	30	1.15	15	3381			97.58	30	1.20	16	3113	89.85	31			1.30	GFA99 GFAF99 GF99 GFF99	4P	17	3001	86.59		31	1.35		18	2783	80.31	32	1.45		19	2621		75.63	32	1.55	20	2505	72.30	32			1.60	22	2269	65.47	33	1.80	25			2012	58.06	33	2.00	27	1819	52.49			32	2.20																																																																																																																																																																																																																																										
212	171	6.78	11	3.40	242	150			5.95	11	3.80	274	132			5.25	11	4.20			309	117	4.66	10	4.50			363	100	3.97	10	4.70	68	534	21.17	6.2	1.05	GFA69 GFAF69 GF69 GFF69	4P	75	482	19.11	6.2	1.15			86	424	16.81	6.1	1.35			91	400	15.88	6.1	1.40	107	341			13.52	6.0	1.65	117	310	12.29	6.0			1.80	135	268	10.64	5.8	2.10	155			235	9.31	5.6	1.70	176	206	8.19			5.4	1.90	186	195	7.73			5.4	2.00	219	166	6.58			5.2	2.40	241	151	5.98			5.1	2.60	278	131	5.18	5.0	3.00	11	4415	127.42	26	0.90	GFA99 GFAF99 GF99 GFF99	4P	13	3915	112.99	29	1.05			14	3540	102.16	30	1.15			15	3381	97.58	30	1.20	16	3113			89.85	31	1.30	GFA99 GFAF99 GF99 GFF99	4P	17	3001	86.59	31	1.35			18	2783	80.31		32	1.45		19	2621	75.63	32	1.55		20	2505		72.30	32	1.60	22	2269	65.47	33			1.80	25	2012	58.06	33	2.00	27			1819	52.49	32	2.20																																																																																																																																																																																																																																																	
242	150	5.95	11	3.80	274	132			5.25	11	4.20	309	117			4.66	10	4.50			363	100	3.97	10	4.70	68	534	21.17	6.2	1.05	GFA69 GFAF69 GF69 GFF69	4P	75	482	19.11	6.2	1.15			86	424	16.81	6.1	1.35			91	400	15.88	6.1	1.40			107	341	13.52	6.0	1.65	117	310			12.29	6.0	1.80	135	268	10.64	5.8			2.10	155	235	9.31	5.6	1.70	176			206	8.19	5.4	1.90	186	195	7.73			5.4	2.00	219	166	6.58			5.2	2.40	241	151	5.98			5.1	2.60	278	131	5.18	5.0	3.00	11	4415	127.42	26	0.90	GFA99 GFAF99 GF99 GFF99	4P	13	3915	112.99	29	1.05			14	3540	102.16	30	1.15			15	3381	97.58	30	1.20			16	3113	89.85	31	1.30	GFA99 GFAF99 GF99 GFF99	4P	17	3001	86.59	31	1.35			18	2783	80.31	32	1.45			19	2621	75.63		32	1.55		20	2505	72.30	32	1.60		22	2269		65.47	33	1.80	25	2012	58.06	33			2.00	27	1819	52.49	32	2.20																																																																																																																																																																																																																																																								
274	132	5.25	11	4.20	309	117			4.66	10	4.50	363	100			3.97	10	4.70	68	534	21.17	6.2	1.05	GFA69 GFAF69 GF69 GFF69	4P	75	482	19.11	6.2	1.15			86	424	16.81	6.1	1.35			91	400	15.88	6.1	1.40			107	341	13.52	6.0	1.65			117	310	12.29	6.0	1.80	135	268			10.64	5.8	2.10	155	235	9.31	5.6			1.70	176	206	8.19	5.4	1.90	186			195	7.73	5.4	2.00	219	166	6.58			5.2	2.40	241	151	5.98			5.1	2.60	278	131	5.18	5.0	3.00	11	4415	127.42	26	0.90	GFA99 GFAF99 GF99 GFF99	4P	13	3915	112.99	29	1.05			14	3540	102.16	30	1.15			15	3381	97.58	30	1.20			16	3113	89.85	31	1.30	GFA99 GFAF99 GF99 GFF99	4P	17	3001	86.59	31	1.35			18	2783	80.31	32	1.45			19	2621	75.63	32	1.55			20	2505	72.30		32	1.60		22	2269	65.47	33	1.80		25	2012		58.06	33	2.00	27	1819	52.49	32			2.20																																																																																																																																																																																																																																																													
309	117	4.66	10	4.50	363	100			3.97	10	4.70	68	534	21.17	6.2	1.05	GFA69 GFAF69 GF69 GFF69	4P	75	482	19.11	6.2	1.15			86	424	16.81	6.1	1.35			91	400	15.88	6.1	1.40			107	341	13.52	6.0	1.65			117	310	12.29	6.0	1.80			135	268	10.64	5.8	2.10	155	235			9.31	5.6	1.70	176	206	8.19	5.4			1.90	186	195	7.73	5.4	2.00	219			166	6.58	5.2	2.40	241	151	5.98			5.1	2.60	278	131	5.18	5.0	3.00	11	4415	127.42	26	0.90	GFA99 GFAF99 GF99 GFF99	4P	13	3915	112.99	29	1.05			14	3540	102.16	30	1.15			15	3381	97.58	30	1.20			16	3113	89.85	31	1.30	GFA99 GFAF99 GF99 GFF99	4P	17	3001	86.59	31	1.35			18	2783	80.31	32	1.45			19	2621	75.63	32	1.55			20	2505	72.30	32	1.60			22	2269	65.47		33	1.80		25	2012	58.06	33	2.00		27	1819		52.49	32	2.20																																																																																																																																																																																																																																																																				
363	100	3.97	10	4.70	68	534	21.17	6.2	1.05	GFA69 GFAF69 GF69 GFF69	4P	75	482	19.11	6.2	1.15			86	424	16.81	6.1	1.35			91	400	15.88	6.1	1.40			107	341	13.52	6.0	1.65			117	310	12.29	6.0	1.80			135	268	10.64	5.8	2.10			155	235	9.31	5.6	1.70	176	206			8.19	5.4	1.90	186	195	7.73	5.4			2.00	219	166	6.58	5.2	2.40	241			151	5.98	5.1	2.60	278	131	5.18	5.0	3.00	11	4415	127.42	26	0.90	GFA99 GFAF99 GF99 GFF99	4P	13	3915	112.99	29	1.05			14	3540	102.16	30	1.15			15	3381	97.58	30	1.20			16	3113	89.85	31	1.30	GFA99 GFAF99 GF99 GFF99	4P	17	3001	86.59	31	1.35			18	2783	80.31	32	1.45			19	2621	75.63	32	1.55			20	2505	72.30	32	1.60			22	2269	65.47	33	1.80			25	2012	58.06		33	2.00		27	1819	52.49	32	2.20																																																																																																																																																																																																																																																																											
68	534	21.17	6.2	1.05	GFA69 GFAF69 GF69 GFF69	4P	75	482	19.11			6.2	1.15	86	424	16.81			6.1	1.35	91	400	15.88			6.1	1.40	107	341	13.52			6.0	1.65	117	310	12.29			6.0	1.80	135	268	10.64			5.8	2.10	155	235	9.31			5.6	1.70	176	206	8.19	5.4	1.90			186	195	7.73	5.4	2.00	219	166			6.58	5.2	2.40	241	151	5.98	5.1	2.60	278	131	5.18	5.0	3.00	11	4415	127.42	26	0.90	GFA99 GFAF99 GF99 GFF99	4P	13	3915	112.99			29	1.05	14	3540	102.16			30	1.15	15	3381	97.58			30	1.20	16	3113	89.85	31	1.30	GFA99 GFAF99 GF99 GFF99	4P	17	3001	86.59			31	1.35	18	2783	80.31			32	1.45	19	2621	75.63			32	1.55	20	2505	72.30			32	1.60	22	2269	65.47			33	1.80	25	2012	58.06			33	2.00	27		1819	52.49		32	2.20																																																																																																																																																																																																																																																																														
75	482	19.11	6.2	1.15			86	424	16.81			6.1	1.35	91	400	15.88			6.1	1.40	107	341	13.52			6.0	1.65	117	310	12.29			6.0	1.80	135	268	10.64			5.8	2.10	155	235	9.31			5.6	1.70	176	206	8.19			5.4	1.90	186	195	7.73	5.4	2.00			219	166	6.58	5.2	2.40	241	151	5.98	5.1	2.60	278	131	5.18	5.0	3.00	11	4415	127.42	26	0.90	GFA99 GFAF99 GF99 GFF99	4P	13	3915	112.99	29	1.05			14	3540	102.16			30	1.15	15	3381	97.58			30	1.20	16	3113	89.85	31	1.30	GFA99 GFAF99 GF99 GFF99	4P	17	3001	86.59	31	1.35			18	2783	80.31			32	1.45	19	2621	75.63			32	1.55	20	2505	72.30			32	1.60	22	2269	65.47			33	1.80	25	2012	58.06			33	2.00	27	1819	52.49			32	2.20																																																																																																																																																																																																																																																																																					
86	424	16.81	6.1	1.35			91	400	15.88			6.1	1.40	107	341	13.52			6.0	1.65	117	310	12.29			6.0	1.80	135	268	10.64			5.8	2.10	155	235	9.31			5.6	1.70	176	206	8.19			5.4	1.90	186	195	7.73			5.4	2.00	219	166	6.58	5.2	2.40	241	151	5.98	5.1	2.60	278	131	5.18	5.0	3.00	11	4415	127.42	26	0.90	GFA99 GFAF99 GF99 GFF99	4P	13	3915	112.99	29	1.05			14	3540	102.16	30	1.15			15	3381	97.58			30	1.20	16	3113	89.85	31	1.30	GFA99 GFAF99 GF99 GFF99	4P	17	3001	86.59	31	1.35			18	2783	80.31	32	1.45			19	2621	75.63			32	1.55	20	2505	72.30			32	1.60	22	2269	65.47			33	1.80	25	2012	58.06			33	2.00	27	1819	52.49			32	2.20																																																																																																																																																																																																																																																																																												
91	400	15.88	6.1	1.40			107	341	13.52			6.0	1.65	117	310	12.29			6.0	1.80	135	268	10.64			5.8	2.10	155	235	9.31			5.6	1.70	176	206	8.19			5.4	1.90	186	195	7.73			5.4	2.00	219	166	6.58	5.2	2.40	241	151	5.98	5.1	2.60	278	131	5.18	5.0	3.00	11	4415	127.42	26	0.90	GFA99 GFAF99 GF99 GFF99	4P	13	3915	112.99	29	1.05			14	3540	102.16	30	1.15			15	3381	97.58	30	1.20			16	3113	89.85	31	1.30	GFA99 GFAF99 GF99 GFF99	4P	17	3001	86.59	31	1.35			18	2783	80.31	32	1.45			19	2621	75.63	32	1.55			20	2505	72.30			32	1.60	22	2269	65.47			33	1.80	25	2012	58.06			33	2.00	27	1819	52.49			32	2.20																																																																																																																																																																																																																																																																																																			
107	341	13.52	6.0	1.65			117	310	12.29			6.0	1.80	135	268	10.64			5.8	2.10	155	235	9.31			5.6	1.70	176	206	8.19			5.4	1.90	186	195	7.73			5.4	2.00	219	166	6.58	5.2	2.40	241	151	5.98	5.1	2.60	278	131	5.18	5.0	3.00	11	4415	127.42	26	0.90	GFA99 GFAF99 GF99 GFF99	4P	13	3915	112.99	29	1.05			14	3540	102.16	30	1.15			15	3381	97.58	30	1.20			16	3113	89.85	31	1.30	GFA99 GFAF99 GF99 GFF99	4P	17	3001	86.59	31	1.35			18	2783	80.31	32	1.45			19	2621	75.63	32	1.55			20	2505	72.30	32	1.60			22	2269	65.47			33	1.80	25	2012	58.06			33	2.00	27	1819	52.49			32	2.20																																																																																																																																																																																																																																																																																																										
117	310	12.29	6.0	1.80			135	268	10.64			5.8	2.10	155	235	9.31			5.6	1.70	176	206	8.19			5.4	1.90	186	195	7.73			5.4	2.00	219	166	6.58	5.2	2.40	241	151	5.98	5.1	2.60	278	131	5.18	5.0	3.00	11	4415	127.42	26	0.90	GFA99 GFAF99 GF99 GFF99	4P	13	3915	112.99	29	1.05			14	3540	102.16	30	1.15			15	3381	97.58	30	1.20			16	3113	89.85	31	1.30	GFA99 GFAF99 GF99 GFF99	4P	17	3001	86.59	31	1.35			18	2783	80.31	32	1.45			19	2621	75.63	32	1.55			20	2505	72.30	32	1.60			22	2269	65.47	33	1.80			25	2012	58.06			33	2.00	27	1819	52.49			32	2.20																																																																																																																																																																																																																																																																																																																	
135	268	10.64	5.8	2.10			155	235	9.31			5.6	1.70	176	206	8.19			5.4	1.90	186	195	7.73			5.4	2.00	219	166	6.58	5.2	2.40	241	151	5.98	5.1	2.60	278	131	5.18	5.0	3.00	11	4415	127.42	26	0.90	GFA99 GFAF99 GF99 GFF99	4P	13	3915	112.99	29	1.05			14	3540	102.16	30	1.15			15	3381	97.58	30	1.20			16	3113	89.85	31	1.30	GFA99 GFAF99 GF99 GFF99	4P	17	3001	86.59	31	1.35			18	2783	80.31	32	1.45			19	2621	75.63	32	1.55			20	2505	72.30	32	1.60			22	2269	65.47	33	1.80			25	2012	58.06	33	2.00			27	1819	52.49			32	2.20																																																																																																																																																																																																																																																																																																																								
155	235	9.31	5.6	1.70			176	206	8.19			5.4	1.90	186	195	7.73			5.4	2.00	219	166	6.58	5.2	2.40	241	151	5.98	5.1	2.60	278	131	5.18	5.0	3.00	11	4415	127.42	26	0.90	GFA99 GFAF99 GF99 GFF99	4P	13	3915	112.99	29	1.05			14	3540	102.16	30	1.15			15	3381	97.58	30	1.20			16	3113	89.85	31	1.30	GFA99 GFAF99 GF99 GFF99	4P	17	3001	86.59	31	1.35			18	2783	80.31	32	1.45			19	2621	75.63	32	1.55			20	2505	72.30	32	1.60			22	2269	65.47	33	1.80			25	2012	58.06	33	2.00			27	1819	52.49	32	2.20																																																																																																																																																																																																																																																																																																																																	
176	206	8.19	5.4	1.90			186	195	7.73			5.4	2.00	219	166	6.58	5.2	2.40	241	151	5.98	5.1	2.60	278	131	5.18	5.0	3.00	11	4415	127.42	26	0.90	GFA99 GFAF99 GF99 GFF99	4P	13	3915	112.99	29	1.05			14	3540	102.16	30	1.15			15	3381	97.58	30	1.20			16	3113	89.85	31	1.30	GFA99 GFAF99 GF99 GFF99	4P	17	3001	86.59	31	1.35			18	2783	80.31	32	1.45			19	2621	75.63	32	1.55			20	2505	72.30	32	1.60			22	2269	65.47	33	1.80			25	2012	58.06	33	2.00			27	1819	52.49	32	2.20																																																																																																																																																																																																																																																																																																																																								
186	195	7.73	5.4	2.00			219	166	6.58	5.2	2.40	241	151	5.98	5.1	2.60	278	131	5.18	5.0	3.00	11	4415	127.42	26	0.90	GFA99 GFAF99 GF99 GFF99	4P	13	3915	112.99	29	1.05			14	3540	102.16	30	1.15			15	3381	97.58	30	1.20			16	3113	89.85	31	1.30	GFA99 GFAF99 GF99 GFF99	4P	17	3001	86.59	31	1.35			18	2783	80.31	32	1.45			19	2621	75.63	32	1.55			20	2505	72.30	32	1.60			22	2269	65.47	33	1.80			25	2012	58.06	33	2.00			27	1819	52.49	32	2.20																																																																																																																																																																																																																																																																																																																																															
219	166	6.58	5.2	2.40	241	151	5.98	5.1	2.60	278	131	5.18	5.0	3.00	11	4415	127.42	26	0.90	GFA99 GFAF99 GF99 GFF99	4P	13	3915	112.99	29	1.05			14	3540	102.16	30	1.15			15	3381	97.58	30	1.20			16	3113	89.85	31	1.30	GFA99 GFAF99 GF99 GFF99	4P	17	3001	86.59	31	1.35			18	2783	80.31	32	1.45			19	2621	75.63	32	1.55			20	2505	72.30	32	1.60			22	2269	65.47	33	1.80			25	2012	58.06	33	2.00			27	1819	52.49	32	2.20																																																																																																																																																																																																																																																																																																																																																						
241	151	5.98	5.1	2.60	278	131	5.18	5.0	3.00	11	4415	127.42	26	0.90	GFA99 GFAF99 GF99 GFF99	4P	13	3915	112.99			29	1.05	14	3540	102.16			30	1.15	15	3381	97.58			30	1.20	16	3113	89.85	31	1.30	GFA99 GFAF99 GF99 GFF99	4P	17	3001	86.59			31	1.35	18	2783	80.31			32	1.45	19	2621	75.63			32	1.55	20	2505	72.30			32	1.60	22	2269	65.47			33	1.80	25	2012	58.06			33	2.00	27	1819	52.49			32	2.20																																																																																																																																																																																																																																																																																																																																																									
278	131	5.18	5.0	3.00	11	4415	127.42	26	0.90	GFA99 GFAF99 GF99 GFF99	4P	13	3915	112.99			29	1.05	14			3540	102.16	30	1.15	15			3381	97.58	30	1.20	16	3113	89.85	31	1.30	GFA99 GFAF99 GF99 GFF99	4P	17	3001	86.59			31	1.35	18			2783	80.31	32	1.45	19			2621	75.63	32	1.55	20			2505	72.30	32	1.60	22			2269	65.47	33	1.80	25			2012	58.06	33	2.00	27			1819	52.49	32	2.20																																																																																																																																																																																																																																																																																																																																																														
11	4415	127.42	26	0.90	GFA99 GFAF99 GF99 GFF99	4P	13	3915	112.99			29	1.05	14			3540	102.16	30			1.15	15	3381	97.58	30	1.20	16	3113	89.85	31	1.30	GFA99 GFAF99 GF99 GFF99	4P	17	3001	86.59			31	1.35	18			2783	80.31	32			1.45	19	2621	75.63	32			1.55	20	2505	72.30	32			1.60	22	2269	65.47	33			1.80	25	2012	58.06	33			2.00	27	1819	52.49	32			2.20																																																																																																																																																																																																																																																																																																																																																																	
13	3915	112.99	29	1.05			14	3540	102.16			30	1.15	15			3381	97.58	30	1.20	16	3113	89.85	31	1.30	GFA99 GFAF99 GF99 GFF99	4P	17	3001	86.59	31	1.35			18	2783	80.31			32	1.45	19			2621	75.63	32			1.55	20	2505	72.30	32			1.60	22	2269	65.47	33			1.80	25	2012	58.06	33			2.00	27	1819	52.49	32			2.20																																																																																																																																																																																																																																																																																																																																																																								
14	3540	102.16	30	1.15			15	3381	97.58			30	1.20	16	3113	89.85	31	1.30	GFA99 GFAF99 GF99 GFF99	4P	17	3001	86.59	31	1.35			18	2783	80.31	32	1.45			19	2621	75.63			32	1.55	20			2505	72.30	32			1.60	22	2269	65.47	33			1.80	25	2012	58.06	33			2.00	27	1819	52.49	32			2.20																																																																																																																																																																																																																																																																																																																																																																															
15	3381	97.58	30	1.20			16	3113	89.85	31	1.30	GFA99 GFAF99 GF99 GFF99	4P	17	3001	86.59	31	1.35			18	2783	80.31	32	1.45			19	2621	75.63	32	1.55			20	2505	72.30			32	1.60	22			2269	65.47	33			1.80	25	2012	58.06	33			2.00	27	1819	52.49	32			2.20																																																																																																																																																																																																																																																																																																																																																																																						
16	3113	89.85	31	1.30	GFA99 GFAF99 GF99 GFF99	4P	17	3001	86.59	31	1.35			18	2783	80.31	32	1.45			19	2621	75.63	32	1.55			20	2505	72.30	32	1.60			22	2269	65.47			33	1.80	25			2012	58.06	33			2.00	27	1819	52.49	32			2.20																																																																																																																																																																																																																																																																																																																																																																																													
17	3001	86.59	31	1.35			18	2783	80.31	32	1.45			19	2621	75.63	32	1.55			20	2505	72.30	32	1.60			22	2269	65.47	33	1.80			25	2012	58.06			33	2.00	27			1819	52.49	32			2.20																																																																																																																																																																																																																																																																																																																																																																																																				
18	2783	80.31	32	1.45			19	2621	75.63	32	1.55			20	2505	72.30	32	1.60			22	2269	65.47	33	1.80			25	2012	58.06	33	2.00			27	1819	52.49			32	2.20																																																																																																																																																																																																																																																																																																																																																																																																													
19	2621	75.63	32	1.55			20	2505	72.30	32	1.60			22	2269	65.47	33	1.80			25	2012	58.06	33	2.00			27	1819	52.49	32	2.20																																																																																																																																																																																																																																																																																																																																																																																																																						
20	2505	72.30	32	1.60			22	2269	65.47	33	1.80			25	2012	58.06	33	2.00			27	1819	52.49	32	2.20																																																																																																																																																																																																																																																																																																																																																																																																																													
22	2269	65.47	33	1.80			25	2012	58.06	33	2.00			27	1819	52.49	32	2.20																																																																																																																																																																																																																																																																																																																																																																																																																																				
25	2012	58.06	33	2.00			27	1819	52.49	32	2.20																																																																																																																																																																																																																																																																																																																																																																																																																																											
27	1819	52.49	32	2.20																																																																																																																																																																																																																																																																																																																																																																																																																																																		

选型参数表
(恒功率)
Selection Table
(Constant Power)

n_a [r/min]	M_a [N.m]	i	F_{Ra} [kN]	f_B	机型号 Type size	极数 Pole	n_a [r/min]	M_a [N.m]	i	F_{Ra} [kN]	f_B	机型号 Type size	极数 Pole																																																																																																																																																																																																																																																																																																																																																																																																																																																																																																																																																																																						
5.5kW							7.5kW																																																																																																																																																																																																																																																																																																																																																																																																																																																																																																																																																																																												
16	3050	88.01	5.5	0.95	GFA89	4P	3.3	20566	217.62	83	0.85	GFA159 GFAF159 GF159 GFF159	8P																																																																																																																																																																																																																																																																																																																																																																																																																																																																																																																																																																																						
19	2647	76.39	20	1.05	GFAF89		21	2370	68.40	20	1.20			GF89	25	1966	56.75	20	1.45	GFF89	29	1745	50.36	20	1.60	GFA89	4P	5.1	13401	141.80	105	1.30	GFA159 GFAF159 GF159 GFF159	8P	32	1569	45.28	19	1.70	GFAF89	37	1362	39.30	19	1.90	GF89	41	1219	35.19	19	2.00	GFF89	42	1175	33.92	19	2.10	GFA89	4P	5.8	11826	125.14	108	1.45	GFA159 GFAF159 GF159 GFF159	8P	50	997	28.78	18	2.30	GFAF89	54	918	26.50	18	3.10	GF89	61	821	23.68	17	3.50	GFF89	30	1676	48.37	13	0.85	GFA79	4P	11	6453	68.28	114	2.70	GFA159 GFAF159 GF159 GFF159	8P	33	1510	43.58	14	0.95	GFAF79	38	1325	38.23	15	1.05	GFAF79	43	1169	33.74	16	1.20	GF79	48	1036	29.91	17	1.35	GFF79	4P	12	5694	60.25	114	3.00	GFA159 GFAF159 GF159 GFF159	8P	56	885	25.54	18	1.55	GFA79	56	884	25.50	18	1.60	GFAF79	67	743	21.43	18	1.90	GFAF79	73	683	19.70	18	2.10	GF79	4P	14	4937	52.24	114	3.50	GFA159 GFAF159 GF159 GFF159	8P	82	606	17.49	18	2.30	GF79	92	542	15.64	19	2.60	GFF79	102	487	14.06	18	2.90	GFF79	118	423	12.21	18	3.30	GFA69	4P	15	4393	46.48	114	3.90	GFA159 GFAF159 GF159 GFF159	8P	65	764	22.05	10	1.00	GFAF69	69	724	20.90	10	1.05	GFAF69	79	634	18.29	11	1.20	GF69	87	571	16.48	11	1.35	GFF69	4P	18	3786	40.06	114	4.50	GFA159 GFAF159 GF159 GFF159	8P	100	501	14.46	12	1.55	GFA69	113	442	12.76	12	1.75	GFAF69	127	392	11.31	12	1.95	GFAF69	149	335	9.66	12	2.30	GF69	4P	19	3665	52.24	113	4.60	GFA159 GFAF159 GF159 GFF159	8P	159	315	9.08	12	1.60	GFF69	167	298	8.60	12	1.80	GFF69	191	261	7.53	11	2.20	GFA129	4P	5.7	11835	125.23	85	0.95	GFA129	8P	212	235	6.78	11	2.50	GFAF129	242	206	5.95	11	2.80	GF129	274	182	5.25	11	3.10	GFF129	309	161	4.66	10	3.30	GFA129	4P	6.3	10793	114.21	86	1.05	GFAF129	8P	363	138	3.97	10	3.40	GF129	86	582	16.81	5.2	0.95	GF129	86	582	16.81	5.2	0.95	GFF129	91	550	15.88	5.2	1.05	GFA109	4P	7.3	9341	98.84	86	1.20	GFAF129	8P	107	468	13.52	5.3	1.20	GFA109	117	426	12.29	5.3	1.35	GFAF109	135	369	10.64	5.2	1.55	GF109	176	284	8.19	4.9	1.40	GFF109	4P	8.3	8242	87.21	86	1.40	GF109	8P	186	268	7.73	4.9	1.50	GFA109	219	228	6.58	4.8	1.75	GFAF109	241	207	5.98	4.8	1.90	GF109	278	179	5.18	4.7	2.20	GFF109	4P	8.5	8012	114.21	86	1.40	GFA109	8P	7.5kW							8.4	8063	170.64	86	1.40	GFA109	4P	4.6	14006	312	82	0.85	GFA129R89	4.9	13153	293	83	0.90	GFAF129R89	5.6	11627	259	86	1.05	GF129R89	6.5	10010	223	86	1.20	GFF129R89	7.3	8888	198	86	1.40	GFF129R89	15	4611	97.58	18	0.90	GFA109	4P	9.4	7253	153.50	86	1.55	GFAF109	4P	16	4246	89.85	28	0.95	GFA109	17	4092	86.59	28	1.00	GF109	18	3795	80.31	29	1.05	GFF109	19	3574	75.63	30	1.15	GFF109	20	3416	72.30	30	1.20	GFF109																																																																															
21	2370	68.40	20	1.20	GF89		25	1966	56.75	20	1.45			GFF89	29	1745	50.36	20	1.60	GFA89	4P	5.1	13401	141.80	105	1.30		GFA159 GFAF159 GF159 GFF159	8P	32	1569	45.28			19	1.70	GFAF89	37	1362	39.30	19	1.90	GF89	41	1219	35.19	19	2.00	GFF89	42	1175	33.92	19	2.10	GFA89	4P	5.8	11826		125.14	108	1.45	GFA159 GFAF159 GF159 GFF159	8P			50	997	28.78	18	2.30	GFAF89	54	918	26.50	18	3.10	GF89	61	821	23.68	17	3.50	GFF89	30	1676	48.37	13	0.85	GFA79		4P	11	6453	68.28	114			2.70	GFA159 GFAF159 GF159 GFF159	8P	33	1510	43.58	14	0.95	GFAF79	38	1325	38.23	15	1.05	GFAF79	43	1169	33.74	16	1.20	GF79	48	1036	29.91		17	1.35	GFF79	4P	12			5694	60.25	114	3.00	GFA159 GFAF159 GF159 GFF159	8P	56	885	25.54	18	1.55	GFA79	56	884	25.50	18	1.60	GFAF79	67	743	21.43	18	1.90	GFAF79		73	683	19.70	18	2.10			GF79	4P	14	4937	52.24	114	3.50	GFA159 GFAF159 GF159 GFF159	8P	82	606	17.49	18	2.30	GF79	92	542	15.64	19	2.60	GFF79	102	487	14.06		18	2.90	GFF79	118	423			12.21	18	3.30	GFA69	4P	15	4393	46.48	114	3.90	GFA159 GFAF159 GF159 GFF159	8P	65	764	22.05	10	1.00	GFAF69	69	724	20.90	10	1.05	GFAF69		79	634	18.29	11	1.20			GF69	87	571	16.48	11	1.35	GFF69	4P	18	3786	40.06	114	4.50	GFA159 GFAF159 GF159 GFF159	8P	100	501	14.46	12	1.55	GFA69	113	442	12.76		12	1.75	GFAF69	127	392			11.31	12	1.95	GFAF69	149	335	9.66	12	2.30	GF69	4P	19	3665	52.24	113	4.60	GFA159 GFAF159 GF159 GFF159	8P		159	315	9.08	12	1.60	GFF69		167	298	8.60	12	1.80	GFF69	191	261	7.53	11	2.20	GFA129	4P	5.7	11835	125.23	85	0.95	GFA129	8P	212	235	6.78	11		2.50	GFAF129	242	206	5.95	11		2.80	GF129	274	182	5.25	11	3.10	GFF129	309	161	4.66	10	3.30	GFA129	4P	6.3	10793	114.21	86	1.05	GFAF129	8P	363	138		3.97	10	3.40	GF129	86	582		16.81	5.2	0.95	GF129	86	582	16.81	5.2	0.95	GFF129	91	550	15.88	5.2	1.05	GFA109	4P	7.3	9341	98.84	86	1.20	GFAF129	8P		107	468	13.52	5.3	1.20	GFA109		117	426	12.29	5.3	1.35	GFAF109	135	369	10.64	5.2	1.55	GF109	176	284	8.19	4.9	1.40	GFF109	4P	8.3	8242	87.21	86	1.40		GF109	8P	186	268	7.73	4.9		1.50	GFA109	219	228	6.58	4.8	1.75	GFAF109	241	207	5.98	4.8	1.90		GF109	278	179	5.18	4.7	2.20	GFF109	4P	8.5	8012	114.21	86	1.40	GFA109	8P	7.5kW							8.4	8063	170.64	86	1.40	GFA109	4P	4.6	14006	312	82	0.85	GFA129R89	4.9		13153	293	83	0.90	GFAF129R89	5.6		11627	259	86	1.05	GF129R89	6.5	10010	223	86	1.20	GFF129R89	7.3	8888	198	86	1.40	GFF129R89	15	4611	97.58	18	0.90	GFA109	4P	9.4	7253	153.50	86	1.55	GFAF109	4P	16	4246	89.85	28	0.95	GFA109	17	4092	86.59	28	1.00	GF109	18	3795	80.31	29	1.05	GFF109	19	3574	75.63	30	1.15	GFF109	20	3416	72.30	30	1.20	GFF109																																																
25	1966	56.75	20	1.45	GFF89		29	1745	50.36	20	1.60			GFA89	4P	5.1	13401	141.80	105	1.30		GFA159 GFAF159 GF159 GFF159	8P	32	1569	45.28				19	1.70	GFAF89			37	1362	39.30	19	1.90	GF89	41	1219	35.19	19	2.00	GFF89	42	1175	33.92	19	2.10	GFA89	4P	5.8	11826		125.14	108		1.45	GFA159 GFAF159 GF159 GFF159	8P					50	997	28.78	18	2.30	GFAF89	54	918	26.50	18	3.10	GF89	61	821	23.68	17	3.50	GFF89	30	1676	48.37	13	0.85	GFA79			4P	11	6453	68.28			114			2.70	GFA159 GFAF159 GF159 GFF159	8P	33	1510	43.58	14	0.95	GFAF79	38	1325	38.23	15	1.05	GFAF79	43	1169	33.74	16	1.20	GF79		48	1036	29.91		17			1.35	GFF79	4P	12			5694	60.25	114	3.00	GFA159 GFAF159 GF159 GFF159	8P	56	885	25.54	18	1.55	GFA79	56	884	25.50	18	1.60	GFAF79		67	743	21.43	18	1.90			GFAF79		73	683	19.70	18	2.10			GF79	4P	14	4937	52.24	114	3.50	GFA159 GFAF159 GF159 GFF159	8P	82	606	17.49	18	2.30	GF79		92	542	15.64	19	2.60			GFF79	102	487	14.06		18	2.90	GFF79	118	423			12.21	18	3.30	GFA69	4P	15	4393	46.48	114	3.90	GFA159 GFAF159 GF159 GFF159	8P		65	764	22.05	10	1.00			GFAF69	69	724	20.90	10	1.05	GFAF69		79	634	18.29	11	1.20			GF69	87	571	16.48	11	1.35	GFF69	4P	18		3786	40.06	114	4.50	GFA159 GFAF159 GF159 GFF159			8P	100	501	14.46	12	1.55	GFA69	113	442	12.76		12	1.75	GFAF69	127	392				11.31	12	1.95	GFAF69	149	335		9.66	12	2.30	GF69	4P	19	3665	52.24	113	4.60	GFA159 GFAF159 GF159 GFF159	8P		159	315	9.08	12	1.60	GFF69		167	298	8.60	12		1.80	GFF69	191	261	7.53	11		2.20	GFA129	4P	5.7	11835	125.23	85	0.95	GFA129	8P	212	235	6.78	11		2.50	GFAF129	242	206	5.95	11		2.80	GF129		274	182	5.25	11	3.10	GFF129		309	161	4.66	10	3.30	GFA129	4P	6.3	10793	114.21	86	1.05	GFAF129	8P	363	138		3.97	10	3.40	GF129	86	582			16.81	5.2	0.95	GF129	86	582		16.81	5.2	0.95	GFF129	91	550	15.88	5.2	1.05	GFA109	4P	7.3	9341	98.84	86	1.20	GFAF129	8P		107	468	13.52	5.3	1.20		GFA109		117	426	12.29	5.3		1.35	GFAF109	135	369	10.64	5.2	1.55	GF109	176	284	8.19	4.9	1.40		GFF109	4P	8.3	8242	87.21	86	1.40		GF109	8P	186	268	7.73	4.9		1.50	GFA109	219	228	6.58	4.8	1.75	GFAF109	241	207	5.98	4.8	1.90		GF109	278	179	5.18	4.7	2.20	GFF109		4P	8.5	8012	114.21	86	1.40		GFA109	8P	7.5kW							8.4	8063	170.64	86	1.40	GFA109	4P	4.6	14006	312	82	0.85	GFA129R89	4.9		13153	293	83	0.90	GFAF129R89	5.6		11627	259	86	1.05	GF129R89	6.5	10010	223	86	1.20	GFF129R89	7.3	8888	198	86	1.40	GFF129R89	15	4611	97.58	18	0.90	GFA109	4P	9.4	7253	153.50	86	1.55	GFAF109	4P	16	4246	89.85	28	0.95	GFA109	17	4092	86.59	28	1.00	GF109	18	3795	80.31	29	1.05	GFF109	19	3574	75.63	30	1.15	GFF109	20	3416	72.30	30	1.20	GFF109																	
29	1745	50.36	20	1.60	GFA89	4P	5.1	13401	141.80	105	1.30			GFA159 GFAF159 GF159 GFF159		8P																																																																																																																																																																																																																																																																																																																																																																																																																																																																																																																																																																																			
32	1569	45.28	19	1.70	GFAF89		37	1362	39.30	19	1.90						GF89	41	1219	35.19				19	2.00	GFF89	42			1175	33.92	19			2.10	GFA89	4P	5.8	11826	125.14	108	1.45	GFA159 GFAF159 GF159 GFF159	8P	50	997	28.78	18	2.30	GFAF89	54	918		26.50	18		3.10	GF89	61	821							23.68	17	3.50	GFF89	30	1676	48.37	13	0.85	GFA79	4P	11	6453	68.28	114	2.70	GFA159 GFAF159 GF159 GFF159	8P	33	1510	43.58	14	0.95	GFAF79	38			1325	38.23	15			1.05			GFAF79			43	1169	33.74	16	1.20	GF79	48	1036	29.91	17	1.35	GFF79	4P	12	5694	60.25	114	3.00	GFA159 GFAF159 GF159 GFF159	8P	56	885		25.54			18	1.55		GFA79			56	884	25.50	18			1.60	GFAF79	67	743	21.43	18	1.90	GFAF79	73	683	19.70	18	2.10	GF79	4P	14	4937	52.24			114		3.50	GFA159 GFAF159 GF159 GFF159	8P	82	606			17.49		18	2.30	GF79	92	542			15.64	19	2.60	GFF79	102	487	14.06	18	2.90	GFF79	118	423			12.21	18	3.30	GFA69		4P	15	4393	46.48	114			3.90	GFA159 GFAF159 GF159 GFF159	8P	65		764	22.05	10	1.00	GFAF69			69	724	20.90	10	1.05	GFAF69			79	634	18.29	11	1.20	GF69	87		571	16.48	11	1.35	GFF69			4P	18	3786	40.06	114	4.50	GFA159 GFAF159 GF159 GFF159		8P	100	501	14.46	12	1.55					GFA69	113	442	12.76	12	1.75	GFAF69	127	392		11.31	12	1.95	GFAF69	149			335	9.66	12	2.30	GF69	4P	19	3665	52.24	113	4.60	GFA159 GFAF159 GF159 GFF159		8P	159	315	9.08	12				1.60	GFF69	167	298	8.60	12		1.80	GFF69	191	261	7.53	11	2.20	GFA129	4P	5.7	11835	125.23	85	0.95		GFA129	8P	212	235	6.78	11		2.50	GFAF129	242	206		5.95	11	2.80	GF129	274	182		5.25	11	3.10	GFF129	309	161	4.66	10	3.30	GFA129	4P	6.3	10793	114.21	86	1.05		GFAF129	8P	363	138	3.97	10		3.40	GF129		86	582	16.81	5.2	0.95	GF129		86	582	16.81	5.2	0.95	GFF129	91	550	15.88	5.2	1.05	GFA109	4P	7.3	9341	98.84	86	1.20		GFAF129	8P	107	468	13.52	5.3			1.20	GFA109	117	426	12.29	5.3	1.35		GFAF109	135	369	10.64	5.2	1.55	GF109	176	284	8.19	4.9	1.40	GFF109	4P	8.3	8242	87.21	86	1.40	GF109		8P	186	268	7.73	4.9		1.50		GFA109	219	228	6.58		4.8	1.75	GFAF109	241	207	5.98	4.8	1.90	GF109	278	179	5.18	4.7		2.20	GFF109	4P	8.5	8012	114.21	86	1.40		GFA109	8P	7.5kW							8.4	8063	170.64	86	1.40	GFA109	4P	4.6	14006	312	82	0.85		GFA129R89	4.9	13153	293	83	0.90	GFAF129R89		5.6	11627	259	86	1.05	GF129R89		6.5	10010	223	86	1.20	GFF129R89	7.3	8888	198	86	1.40	GFF129R89	15	4611	97.58	18	0.90	GFA109	4P	9.4	7253	153.50	86		1.55	GFAF109	4P	16	4246	89.85		28	0.95	GFA109	17	4092	86.59	28	1.00	GF109	18	3795	80.31	29	1.05	GFF109	19	3574	75.63	30	1.15	GFF109	20	3416	72.30	30	1.20	GFF109																				
37	1362	39.30	19	1.90	GF89		41	1219	35.19	19	2.00						GFF89	42	1175	33.92	19			2.10	GFA89	4P	5.8			11826	125.14	108			1.45	GFA159 GFAF159 GF159 GFF159		8P	50	997	28.78	18			2.30	GFAF89	54	918	26.50	18	3.10	GF89		61	821	23.68	17	3.50	GFF89	30							1676	48.37	13	0.85	GFA79	4P	11	6453	68.28	114		2.70	GFA159 GFAF159 GF159 GFF159	8P	33	1510			43.58	14	0.95	GFAF79	38	1325	38.23	15		1.05	GFAF79	43			1169			33.74			16	1.20	GF79	48	1036	29.91	17	1.35	GFF79	4P	12	5694		60.25	114	3.00	GFA159 GFAF159 GF159 GFF159	8P			56	885	25.54	18			1.55	GFA79		56			884	25.50	18	1.60			GFAF79	67	743	21.43	18	1.90	GFAF79	73	683	19.70	18	2.10	GF79	4P		14	4937	52.24			114	3.50	GFA159 GFAF159 GF159 GFF159			8P	82			606		17.49	18	2.30	GF79	92			542	15.64	19	2.60	GFF79	102	487	14.06	18	2.90	GFF79	118			423	12.21	18	3.30	GFA69		4P	15	4393	46.48			114			3.90		GFA159 GFAF159 GF159 GFF159	8P	65	764	22.05			10	1.00	GFAF69	69	724	20.90			10	1.05	GFAF69	79	634	18.29	11	1.20	GF69	87	571	16.48	11				1.35	GFF69	4P	18	3786				40.06	114	4.50	GFA159 GFAF159 GF159 GFF159	8P					100	501	14.46	12	1.55	GFA69	113	442	12.76	12	1.75	GFAF69	127	392	11.31			12	1.95	GFAF69	149	335		9.66	12	2.30	GF69	4P				19	3665	52.24	113			4.60	GFA159 GFAF159 GF159 GFF159	8P	159	315	9.08	12	1.60	GFF69	167	298	8.60	12	1.80	GFF69	191		261	7.53	11	2.20	GFA129		4P		5.7	11835	125.23	85		0.95	GFA129	8P	212	235	6.78	11	2.50	GFAF129	242	206	5.95	11	2.80	GF129	274	182	5.25	11	3.10	GFF129	309		161	4.66	10	3.30	GFA129		4P		6.3	10793	114.21	86		1.05	GFAF129	8P	363	138	3.97	10	3.40	GF129	86	582	16.81	5.2	0.95	GF129	86	582	16.81	5.2	0.95	GFF129	91		550	15.88	5.2	1.05	GFA109		4P		7.3	9341	98.84	86		1.20	GFAF129	8P	107	468	13.52	5.3	1.20	GFA109	117	426	12.29	5.3	1.35	GFAF109	135	369	10.64	5.2	1.55	GF109	176		284	8.19	4.9	1.40	GFF109	4P			8.3	8242	87.21	86	1.40	GF109		8P	186	268	7.73	4.9	1.50	GFA109	219	228	6.58	4.8	1.75	GFAF109	241	207	5.98	4.8	1.90	GF109	278	179		5.18	4.7	2.20	GFF109	4P		8.5		8012	114.21	86	1.40	GFA109		8P	7.5kW							8.4	8063	170.64	86	1.40		GFA109	4P	4.6	14006	312	82	0.85	GFA129R89	4.9	13153	293	83	0.90	GFAF129R89	5.6	11627	259	86	1.05	GF129R89	6.5	10010	223	86	1.20	GFF129R89	7.3	8888	198	86	1.40	GFF129R89	15		4611	97.58	18	0.90		GFA109	4P		9.4	7253	153.50		86	1.55	GFAF109	4P	16	4246	89.85	28	0.95	GFA109	17	4092	86.59	28	1.00	GF109	18	3795	80.31	29	1.05	GFF109	19	3574	75.63	30	1.15	GFF109	20	3416	72.30	30	1.20	GFF109													
41	1219	35.19	19	2.00	GFF89		42	1175	33.92	19	2.10				GFA89		4P	5.8	11826	125.14	108			1.45	GFA159 GFAF159 GF159 GFF159		8P			50	997	28.78			18				2.30	GFAF89	54	918			26.50	18	3.10	GF89	61	821	23.68	17	3.50	GFF89	30	1676	48.37	13	0.85	GFA79							4P	11	6453	68.28	114		2.70	GFA159 GFAF159 GF159 GFF159	8P	33		1510			43.58	14			0.95	GFAF79	38	1325	38.23	15	1.05	GFAF79	43	1169	33.74	16			1.20			GF79			48	1036	29.91	17	1.35	GFF79	4P	12	5694		60.25	114		3.00	GFA159 GFAF159 GF159 GFF159	8P					56	885	25.54	18			1.55	GFA79	56	884			25.50	18	1.60	GFAF79			67	743	21.43	18	1.90	GFAF79	73	683	19.70	18	2.10	GF79	4P			14	4937	52.24			114	3.50					GFA159 GFAF159 GF159 GFF159			8P	82	606	17.49	18	2.30	GF79			92	542	15.64	19	2.60	GFF79	102	487	14.06	18	2.90	GFF79			118	423	12.21	18	3.30			GFA69	4P	15			4393			46.48	114			3.90	GFA159 GFAF159 GF159 GFF159	8P			65	764	22.05	10	1.00	GFAF69			69	724	20.90	10	1.05	GFAF69	79	634	18.29	11	1.20	GF69	87				571	16.48		11	1.35		GFF69		4P	18	3786							40.06	114	4.50	GFA159 GFAF159 GF159 GFF159	8P	100	501	14.46	12	1.55	GFA69	113	442	12.76	12			1.75	GFAF69	127	392	11.31		12	1.95	GFAF69	149			335		9.66	12	2.30	GF69			4P			19	3665	52.24	113	4.60	GFA159 GFAF159 GF159 GFF159	8P	159	315	9.08	12	1.60	GFF69		167	298	8.60	12	1.80	GFF69			191	261	7.53	11	2.20	GFA129	4P		5.7	11835	125.23	85	0.95	GFA129	8P	212	235	6.78	11	2.50	GFAF129	242	206	5.95	11	2.80	GF129		274	182	5.25	11	3.10	GFF129			309	161	4.66	10	3.30	GFA129	4P		6.3	10793	114.21	86	1.05	GFAF129	8P	363	138	3.97	10	3.40	GF129	86	582	16.81	5.2	0.95	GF129		86	582	16.81	5.2	0.95	GFF129			91	550	15.88	5.2	1.05	GFA109	4P		7.3	9341	98.84	86	1.20	GFAF129	8P	107	468	13.52	5.3	1.20	GFA109	117	426	12.29	5.3	1.35	GFAF109		135	369	10.64	5.2	1.55		GF109		176	284	8.19	4.9	1.40	GFF109	4P		8.3	8242	87.21	86	1.40	GF109	8P	186	268	7.73	4.9	1.50	GFA109	219	228	6.58	4.8	1.75	GFAF109	241		207	5.98	4.8	1.90		GF109	278		179	5.18	4.7	2.20	GFF109	4P		8.5	8012	114.21	86	1.40	GFA109		8P	7.5kW							8.4	8063	170.64	86	1.40	GFA109	4P	4.6	14006	312	82	0.85	GFA129R89	4.9	13153	293	83	0.90	GFAF129R89	5.6	11627	259	86	1.05	GF129R89	6.5	10010	223	86	1.20	GFF129R89		7.3	8888	198	86	1.40	GFF129R89			15	4611	97.58	18	0.90	GFA109	4P		9.4	7253	153.50	86	1.55	GFAF109	4P	16	4246	89.85	28	0.95	GFA109	17	4092	86.59	28	1.00	GF109	18	3795	80.31	29	1.05	GFF109	19	3574	75.63	30	1.15	GFF109	20	3416	72.30	30	1.20	GFF109						
42	1175	33.92	19	2.10	GFA89	4P	5.8	11826	125.14	108	1.45				GFA159 GFAF159 GF159 GFF159			8P																																																																																																																																																																																																																																																																																																																																																																																																																																																																																																																																																																																	
50	997	28.78	18	2.30	GFAF89		54	918	26.50	18	3.10								GF89	61	821			23.68						17	3.50	GFF89			30		1676		48.37	13	0.85	GFA79			4P	11	6453	68.28	114	2.70	GFA159 GFAF159 GF159 GFF159	8P	33	1510	43.58	14	0.95	GFAF79	38	1325								38.23	15	1.05	GFAF79		43			1169	33.74	16			1.20	GF79			48	1036	29.91	17	1.35	GFF79	4P	12	5694	60.25	114	3.00			GFA159 GFAF159 GF159 GFF159			8P			56	885	25.54	18	1.55	GFA79		56	884		25.50	18	1.60	GFAF79							67	743	21.43	18			1.90	GFAF79	73	683			19.70	18	2.10	GF79			4P	14	4937	52.24	114	3.50	GFA159 GFAF159 GF159 GFF159	8P	82	606	17.49	18			2.30	GF79	92	542			15.64	19									2.60	GFF79	102	487	14.06	18			2.90	GFF79	118	423	12.21	18	3.30	GFA69	4P	15	4393	46.48			114	3.90	GFA159 GFAF159 GF159 GFF159	8P	65	764		22.05		10			1.00			GFAF69	69			724					20.90	10	1.05	GFAF69	79	634			18.29	11	1.20	GF69	87	571	16.48	11	1.35	GFF69	4P	18	3786			40.06	114	4.50		GFA159 GFAF159 GF159 GFF159	8P		100			501	14.46							12	1.55	GFA69			113	442	12.76	12	1.75	GFAF69	127	392	11.31	12			1.95	GFAF69	149	335	9.66	12	2.30	GF69	4P	19			3665		52.24	113	4.60	GFA159 GFAF159 GF159 GFF159						8P	159	315	9.08	12			1.60	GFF69	167	298	8.60	12	1.80	GFF69	191	261	7.53	11	2.20		GFA129	4P	5.7	11835	125.23	85	0.95			GFA129	8P	212	235	6.78	11		2.50	GFAF129	242	206	5.95	11	2.80	GF129	274	182	5.25	11	3.10	GFF129	309	161	4.66	10	3.30		GFA129	4P	6.3	10793	114.21	86	1.05			GFAF129	8P	363	138	3.97	10		3.40	GF129	86	582	16.81	5.2	0.95	GF129	86	582	16.81	5.2	0.95	GFF129	91	550	15.88	5.2	1.05		GFA109	4P	7.3	9341	98.84	86	1.20			GFAF129	8P	107	468	13.52	5.3		1.20	GFA109	117	426	12.29	5.3	1.35	GFAF109	135	369	10.64	5.2	1.55	GF109	176	284	8.19	4.9		1.40	GFF109	4P	8.3	8242	87.21	86	1.40			GF109	8P	186	268	7.73	4.9		1.50	GFA109	219	228	6.58	4.8	1.75	GFAF109	241	207	5.98	4.8	1.90	GF109	278	179	5.18	4.7		2.20	GFF109	4P	8.5	8012	114.21	86	1.40			GFA109	8P	7.5kW							8.4	8063	170.64	86	1.40		GFA109	4P	4.6	14006	312	82		0.85	GFA129R89	4.9	13153	293	83	0.90	GFAF129R89	5.6	11627	259	86	1.05	GF129R89	6.5	10010	223	86	1.20	GFF129R89	7.3	8888	198	86	1.40	GFF129R89	15	4611	97.58	18	0.90		GFA109	4P	9.4	7253	153.50	86	1.55			GFAF109	4P	16	4246	89.85	28		0.95	GFA109	17	4092	86.59	28	1.00	GF109	18	3795	80.31	29	1.05	GFF109	19	3574	75.63	30	1.15	GFF109	20	3416	72.30	30	1.20	GFF109										
54	918	26.50	18	3.10	GF89		61	821	23.68	17	3.50								GFF89	30	1676			48.37		13				0.85	GFA79	4P			11		6453		68.28	114	2.70	GFA159 GFAF159 GF159 GFF159				8P	33	1510	43.58	14			0.95	GFAF79	38	1325	38.23	15	1.05	GFAF79								43	1169	33.74	16	1.20	GF79			48	1036	29.91			17	1.35			GFF79	4P	12	5694	60.25	114		3.00	GFA159 GFAF159 GF159 GFF159	8P	56	885									25.54	18	1.55	GFA79	56	884		25.50	18	1.60	GFAF79	67	743	21.43							18	1.90	GFAF79	73			683	19.70	18	2.10			GF79	4P	14	4937				52.24	114	3.50	GFA159 GFAF159 GF159 GFF159	8P			82	606	17.49	18		2.30	GF79	92	542	15.64			19	2.60									GFF79	102	487	14.06	18	2.90			GFF79	118	423	12.21	18	3.30	GFA69	4P		15	4393	46.48			114	3.90			GFA159 GFAF159 GF159 GFF159	8P	65	764		22.05			10			1.00	GFAF69			69					724	20.90	10	1.05	GFAF69	79			634	18.29	11	1.20	GF69	87	571	16.48	11	1.35		GFF69	4P			18	3786	40.06	114				4.50			GFA159 GFAF159 GF159 GFF159	8P							100	501	14.46			12	1.55	GFA69	113	442	12.76	12	1.75	GFAF69	127			392	11.31	12	1.95	GFAF69	149	335	9.66		12	2.30		GF69		4P	19	3665								52.24	113	4.60	GFA159 GFAF159 GF159 GFF159			8P	159	315	9.08	12	1.60	GFF69	167	298	8.60	12	1.80	GFF69	191	261		7.53	11	2.20	GFA129	4P		5.7	11835		125.23	85	0.95	GFA129		8P	212	235	6.78	11	2.50	GFAF129	242	206	5.95	11	2.80	GF129	274	182	5.25	11	3.10	GFF129	309	161		4.66	10	3.30	GFA129	4P		6.3	10793		114.21	86	1.05	GFAF129		8P	363	138	3.97	10	3.40	GF129	86	582	16.81	5.2	0.95	GF129	86	582	16.81	5.2	0.95	GFF129	91	550		15.88	5.2	1.05	GFA109	4P		7.3	9341		98.84	86	1.20	GFAF129		8P	107	468	13.52	5.3	1.20	GFA109	117	426	12.29	5.3	1.35	GFAF109	135	369	10.64	5.2	1.55	GF109	176	284		8.19	4.9	1.40	GFF109	4P		8.3	8242		87.21	86	1.40	GF109		8P	186	268	7.73	4.9	1.50	GFA109	219	228	6.58	4.8	1.75	GFAF109	241	207	5.98	4.8	1.90	GF109	278	179		5.18	4.7	2.20	GFF109	4P		8.5	8012		114.21	86	1.40	GFA109	8P		7.5kW							8.4		8063	170.64	86	1.40		GFA109	4P	4.6	14006	312	82	0.85	GFA129R89	4.9	13153	293	83	0.90	GFAF129R89	5.6	11627	259	86	1.05	GF129R89	6.5	10010	223	86	1.20	GFF129R89	7.3	8888	198	86	1.40	GFF129R89	15		4611	97.58	18	0.90	GFA109		4P	9.4		7253	153.50	86	1.55		GFAF109	4P	16	4246	89.85	28	0.95	GFA109	17	4092	86.59	28	1.00	GF109	18	3795	80.31	29	1.05	GFF109	19	3574	75.63	30	1.15	GFF109	20	3416	72.30	30	1.20	GFF109				
61	821	23.68	17	3.50	GFF89		30	1676	48.37	13	0.85						GFA79		4P	11	6453			68.28		114				2.70	GFA159 GFAF159 GF159 GFF159				8P		33		1510	43.58	14						0.95	GFAF79	38	1325			38.23	15	1.05	GFAF79	43	1169	33.74	16							1.20	GF79	48	1036	29.91	17	1.35			GFF79	4P	12			5694	60.25			114		3.00	GFA159 GFAF159 GF159 GFF159	8P	56		885			25.54	18									1.55	GFA79	56	884	25.50	18	1.60	GFAF79	67	743	21.43	18	1.90	GFAF79							73	683	19.70	18			2.10	GF79	4P	14			4937		52.24	114				3.50	GFA159 GFAF159 GF159 GFF159	8P					82	606	17.49	18	2.30	GF79	92	542	15.64	19			2.60	GFF79									102	487	14.06	18	2.90	GFF79			118	423	12.21	18	3.30	GFA69	4P			15	4393	46.48			114	3.90					GFA159 GFAF159 GF159 GFF159	8P	65	764			22.05			10	1.00			GFAF69					69	724	20.90	10	1.05	GFAF69			79	634	18.29	11	1.20	GF69	87	571	16.48	11		1.35				GFF69	4P	18	3786				40.06		114									4.50	GFA159 GFAF159 GF159 GFF159	8P			100	501	14.46	12	1.55	GFA69	113	442	12.76	12			1.75	GFAF69	127	392	11.31	12	1.95	GFAF69		149	335		9.66			12	2.30				GF69				4P	19	3665					52.24	113	4.60	GFA159 GFAF159 GF159 GFF159	8P	159	315	9.08	12	1.60	GFF69	167	298	8.60		12	1.80	GFF69	191		261	7.53	11		2.20	GFA129	4P	5.7	11835		125.23	85	0.95	GFA129	8P	212	235	6.78	11	2.50	GFAF129	242	206	5.95	11	2.80	GF129	274	182	5.25		11	3.10	GFF129	309		161	4.66	10		3.30	GFA129	4P	6.3	10793		114.21	86	1.05	GFAF129	8P	363	138	3.97	10	3.40	GF129	86	582	16.81	5.2	0.95	GF129	86	582	16.81		5.2	0.95	GFF129	91		550	15.88	5.2		1.05	GFA109	4P	7.3	9341		98.84	86	1.20	GFAF129	8P	107	468	13.52	5.3	1.20	GFA109	117	426	12.29	5.3	1.35	GFAF109	135	369	10.64		5.2	1.55	GF109	176		284	8.19	4.9		1.40	GFF109	4P	8.3	8242		87.21	86	1.40	GF109	8P	186	268	7.73	4.9	1.50	GFA109	219	228	6.58	4.8	1.75	GFAF109	241	207	5.98		4.8	1.90	GF109	278		179	5.18	4.7		2.20	GFF109	4P	8.5		8012	114.21	86	1.40	GFA109	8P	7.5kW							8.4	8063	170.64		86	1.40	GFA109	4P	4.6	14006	312	82	0.85	GFA129R89	4.9	13153	293	83	0.90	GFAF129R89	5.6	11627	259	86	1.05	GF129R89	6.5	10010	223	86	1.20	GFF129R89	7.3	8888	198		86	1.40	GFF129R89	15	4611	97.58		18		0.90	GFA109	4P	9.4	7253	153.50		86	1.55	GFAF109	4P	16	4246	89.85	28	0.95	GFA109	17	4092	86.59	28	1.00	GF109	18	3795	80.31	29	1.05	GFF109	19	3574	75.63	30	1.15	GFF109	20	3416	72.30	30	1.20	GFF109
30	1676	48.37	13	0.85	GFA79	4P	11	6453	68.28	114	2.70						GFA159 GFAF159 GF159 GFF159			8P																																																																																																																																																																																																																																																																																																																																																																																																																																																																																																																																																																															
33	1510	43.58	14	0.95	GFAF79		38	1325	38.23	15	1.05										GFAF79			43		1169				33.74							16		1.20	GF79	48				1036		29.91	17	1.35	GFF79			4P	12	5694	60.25	114	3.00	GFA159 GFAF159 GF159 GFF159	8P							56	885	25.54	18	1.55	GFA79	56			884		25.50			18	1.60			GFAF79		67			743	21.43	18			1.90	GFAF79									73	683	19.70	18	2.10	GF79	4P	14	4937	52.24	114	3.50	GFA159 GFAF159 GF159 GFF159	8P							82	606	17.49	18			2.30	GF79		92			542		15.64	19			2.60	GFF79							102	487	14.06	18	2.90	GFF79	118	423	12.21	18			3.30	GFA69									4P	15	4393	46.48	114	3.90			GFA159 GFAF159 GF159 GFF159	8P	65	764	22.05	10			1.00	GFAF69	69	724			20.90	10							1.05	GFAF69			79			634	18.29			11					1.20	GF69	87	571	16.48	11			1.35	GFF69	4P	18	3786	40.06	114	4.50	GFA159 GFAF159 GF159 GFF159	8P	100	501				14.46		12	1.55				GFA69		113									442					12.76	12	1.75	GFAF69	127	392	11.31	12	1.95	GFAF69			149	335	9.66	12	2.30	GF69	4P	19	3665	52.24	113		4.60			GFA159 GFAF159 GF159 GFF159	8P				159					315	9.08					12	1.60	GFF69			167	298	8.60	12	1.80	GFF69	191	261	7.53	11	2.20	GFA129	4P	5.7		11835	125.23	85	0.95	GFA129	8P		212	235		6.78	11	2.50	GFAF129		242	206	5.95	11	2.80	GF129	274	182	5.25	11	3.10	GFF129	309	161	4.66	10	3.30	GFA129	4P	6.3		10793	114.21	86	1.05	GFAF129	8P		363	138		3.97	10	3.40	GF129		86	582	16.81	5.2	0.95	GF129	86	582	16.81	5.2	0.95	GFF129	91	550	15.88	5.2	1.05	GFA109	4P	7.3		9341	98.84	86	1.20	GFAF129	8P		107	468		13.52	5.3	1.20	GFA109		117	426	12.29	5.3	1.35	GFAF109	135	369	10.64	5.2	1.55	GF109	176	284	8.19	4.9	1.40	GFF109	4P	8.3		8242	87.21	86	1.40	GF109	8P		186	268		7.73	4.9	1.50	GFA109		219	228	6.58	4.8	1.75	GFAF109	241	207	5.98	4.8	1.90	GF109	278	179	5.18	4.7	2.20	GFF109	4P	8.5		8012	114.21	86	1.40	GFA109	8P		7.5kW								8.4	8063	170.64	86	1.40	GFA109	4P	4.6	14006	312		82	0.85	GFA129R89		4.9	13153	293	83	0.90	GFAF129R89	5.6	11627	259	86	1.05	GF129R89	6.5	10010	223	86	1.20	GFF129R89	7.3	8888	198	86	1.40	GFF129R89	15	4611	97.58	18	0.90	GFA109	4P	9.4	7253	153.50		86	1.55	GFAF109	4P		16	4246	89.85		28	0.95	GFA109		17	4092	86.59	28	1.00	GF109	18	3795	80.31	29	1.05	GFF109	19	3574	75.63	30	1.15	GFF109	20	3416	72.30	30	1.20	GFF109						
38	1325	38.23	15	1.05	GFAF79		43	1169	33.74	16	1.20										GF79			48		1036				29.91		17					1.35		GFF79	4P	12				5694		60.25	114	3.00	GFA159 GFAF159 GF159 GFF159				8P	56	885	25.54	18									1.55	GFA79	56	884	25.50	18	1.60			GFAF79		67			743	21.43			18	1.90	GFAF79			73	683	19.70			18	2.10									GF79	4P	14	4937	52.24	114		3.50	GFA159 GFAF159 GF159 GFF159	8P	82	606									17.49	18	2.30	GF79			92	542		15.64			19	2.60	GFF79	102			487	14.06							18	2.90	GFF79	118	423	12.21	18	3.30	GFA69	4P			15	4393										46.48	114	3.90	GFA159 GFAF159 GF159 GFF159	8P					65	764	22.05	10		1.00	GFAF69	69	724	20.90			10	1.05							GFAF69	79			634			18.29	11			1.20					GF69	87	571	16.48	11	1.35			GFF69	4P		18	3786	40.06	114	4.50			GFA159 GFAF159 GF159 GFF159	8P	100			501		14.46	12				1.55		GFA69									113					442	12.76	12	1.75	GFAF69	127	392	11.31	12	1.95			GFAF69	149	335	9.66	12	2.30		GF69	4P	19	3665		52.24		113						4.60					GFA159 GFAF159 GF159 GFF159	8P					159	315	9.08			12	1.60	GFF69	167	298	8.60	12	1.80	GFF69	191	261	7.53		11	2.20	GFA129	4P	5.7	11835	125.23			85	0.95	GFA129	8P	212	235	6.78		11	2.50	GFAF129	242	206	5.95	11	2.80	GF129	274	182	5.25	11	3.10	GFF129	309	161	4.66		10	3.30	GFA129	4P	6.3	10793	114.21			86	1.05	GFAF129	8P	363	138	3.97		10	3.40	GF129	86	582	16.81	5.2	0.95	GF129	86	582	16.81	5.2	0.95	GFF129	91	550	15.88		5.2	1.05	GFA109	4P	7.3	9341	98.84			86	1.20	GFAF129	8P	107	468	13.52		5.3	1.20	GFA109	117	426	12.29	5.3	1.35	GFAF109	135	369	10.64	5.2	1.55	GF109	176	284	8.19		4.9	1.40	GFF109	4P	8.3	8242	87.21			86	1.40	GF109	8P	186	268	7.73		4.9	1.50	GFA109	219	228	6.58	4.8	1.75	GFAF109	241	207	5.98	4.8	1.90	GF109	278	179	5.18		4.7	2.20	GFF109	4P	8.5	8012	114.21			86	1.40	GFA109	8P	7.5kW							8.4	8063	170.64		86	1.40	GFA109	4P	4.6	14006	312		82	0.85	GFA129R89	4.9	13153	293	83	0.90	GFAF129R89	5.6	11627	259	86	1.05	GF129R89	6.5	10010	223	86	1.20	GFF129R89	7.3	8888	198	86	1.40	GFF129R89	15	4611	97.58		18	0.90	GFA109	4P	9.4	7253	153.50			86	1.55	GFAF109	4P	16	4246	89.85		28	0.95	GFA109	17	4092	86.59	28	1.00	GF109	18	3795	80.31	29	1.05	GFF109	19	3574	75.63	30	1.15	GFF109	20	3416	72.30	30	1.20	GFF109			
43	1169	33.74	16	1.20	GF79		48	1036	29.91	17	1.35								GFF79		4P			12		5694				60.25		114					3.00		GFA159 GFAF159 GF159 GFF159		8P				56		885	25.54	18						1.55	GFA79	56	884									25.50	18	1.60	GFAF79	67	743	21.43			18	1.90	GFAF79			73	683			19.70	18	2.10			GF79	4P	14			4937	52.24									114		3.50	GFA159 GFAF159 GF159 GFF159	8P	82		606			17.49	18									2.30	GF79	92	542			15.64	19	2.60	GFF79			102	487	14.06	18			2.90	GFF79							118	423	12.21	18	3.30	GFA69	4P	15	4393				46.48	114										3.90	GFA159 GFAF159 GF159 GFF159	8P							65	764	22.05	10	1.00	GFAF69	69	724	20.90	10			1.05	GFAF69							79	634			18.29			11	1.20			GF69					87	571	16.48	11	1.35	GFF69			4P			18	3786	40.06	114	4.50					GFA159 GFAF159 GF159 GFF159			8P	100	501	14.46				12		1.55									GFA69					113	442	12.76	12	1.75	GFAF69	127	392	11.31	12			1.95	GFAF69	149	335	9.66	12		2.30		GF69	4P		19		3665						52.24				113							4.60	GFA159 GFAF159 GF159 GFF159	8P			159	315	9.08	12	1.60	GFF69	167	298	8.60	12	1.80	GFF69		191	261	7.53		11	2.20	GFA129		4P	5.7	11835	125.23		85	0.95	GFA129	8P	212	235	6.78	11	2.50	GFAF129	242	206	5.95	11	2.80	GF129	274	182	5.25	11	3.10	GFF129		309	161	4.66		10	3.30	GFA129		4P	6.3	10793	114.21		86	1.05	GFAF129	8P	363	138	3.97	10	3.40	GF129	86	582	16.81	5.2	0.95	GF129	86	582	16.81	5.2	0.95	GFF129		91	550	15.88		5.2	1.05	GFA109		4P	7.3	9341	98.84		86	1.20	GFAF129	8P	107	468	13.52	5.3	1.20	GFA109	117	426	12.29	5.3	1.35	GFAF109	135	369	10.64	5.2	1.55	GF109		176	284	8.19		4.9	1.40	GFF109		4P	8.3	8242	87.21		86	1.40	GF109	8P	186	268	7.73	4.9	1.50	GFA109	219	228	6.58	4.8	1.75	GFAF109	241	207	5.98	4.8	1.90	GF109		278	179	5.18		4.7	2.20	GFF109		4P	8.5	8012	114.21		86	1.40	GFA109	8P	7.5kW							8.4	8063	170.64		86	1.40	GFA109	4P	4.6	14006	312	82	0.85	GFA129R89	4.9	13153	293	83	0.90	GFAF129R89	5.6	11627	259	86	1.05	GF129R89	6.5	10010	223	86	1.20	GFF129R89	7.3	8888	198	86	1.40	GFF129R89		15	4611	97.58		18	0.90	GFA109		4P	9.4	7253	153.50		86	1.55	GFAF109	4P	16	4246	89.85	28	0.95	GFA109	17	4092	86.59	28	1.00	GF109	18	3795	80.31	29	1.05	GFF109	19	3574	75.63	30	1.15	GFF109	20	3416	72.30	30	1.20	GFF109
48	1036	29.91	17	1.35	GFF79	4P	12	5694	60.25	114	3.00	GFA159 GFAF159 GF159 GFF159	8P																																																																																																																																																																																																																																																																																																																																																																																																																																																																																																																																																																																						
56	885	25.54	18	1.55	GFA79		56	884	25.50	18	1.60								GFAF79					67		743				21.43		18	1.90	GFAF79			73								683		19.70	18	2.10				GF79		4P	14	4937	52.24							114	3.50	GFA159 GFAF159 GF159 GFF159	8P	82	606	17.49	18	2.30			GF79	92	542			15.64	19			2.60	GFF79	102			487		14.06			18	2.90	GFF79	118							423		12.21			18	3.30	GFA69			4P	15									4393	46.48	114	3.90	GFA159 GFAF159 GF159 GFF159	8P	65	764	22.05	10			1.00	GFAF69	69	724			20.90	10							1.05	GFAF69	79	634	18.29	11		1.20	GF69		87	571	16.48	11									1.35	GFF69									4P	18	3786	40.06	114	4.50	GFA159 GFAF159 GF159 GFF159	8P	100	501	14.46	12	1.55	GFA69							113	442			12.76			12	1.75			GFAF69					127	392	11.31	12	1.95	GFAF69	149	335			9.66	12	2.30	GF69	4P	19									3665	52.24	113				4.60		GFA159 GFAF159 GF159 GFF159						8P	159		315					9.08	12	1.60	GFF69	167	298	8.60	12	1.80	GFF69			191	261	7.53	11	2.20	GFA129	4P	5.7		11835			125.23		85						0.95				GFA129							8P					212	235	6.78	11	2.50	GFAF129	242	206	5.95	11	2.80	GF129	274	182	5.25	11		3.10	GFF129	309	161		4.66	10	3.30		GFA129	4P	6.3		10793	114.21	86	1.05	GFAF129	8P	363	138	3.97	10	3.40	GF129	86	582	16.81	5.2	0.95	GF129	86	582	16.81	5.2		0.95	GFF129	91	550		15.88	5.2	1.05		GFA109	4P	7.3		9341	98.84	86	1.20	GFAF129	8P	107	468	13.52	5.3	1.20	GFA109	117	426	12.29	5.3	1.35	GFAF109	135	369	10.64	5.2		1.55	GF109	176	284		8.19	4.9	1.40		GFF109	4P	8.3		8242	87.21	86	1.40	GF109	8P	186	268	7.73	4.9	1.50	GFA109	219	228	6.58	4.8	1.75	GFAF109	241	207	5.98	4.8		1.90	GF109	278	179		5.18	4.7	2.20		GFF109	4P	8.5		8012	114.21	86	1.40	GFA109	8P	7.5kW							8.4	8063	170.64	86	1.40	GFA109	4P	4.6	14006		312	82	0.85	GFA129R89		4.9	13153	293		83	0.90	GFAF129R89		5.6	11627	259	86	1.05	GF129R89	6.5	10010	223	86		1.20	GFF129R89	7.3		8888	198	86	1.40	GFF129R89	15	4611	97.58	18	0.90	GFA109	4P	9.4	7253	153.50	86	1.55	GFAF109	4P	16	4246	89.85	28	0.95	GFA109	17	4092	86.59	28	1.00	GF109	18	3795	80.31		29	1.05	GFF109	19		3574	75.63	30		1.15	GFF109	20		3416	72.30	30	1.20	GFF109																									
56	884	25.50	18	1.60	GFAF79		67	743	21.43	18	1.90								GFAF79					73		683		19.70	18	2.10		GF79	4P	14			4937			52.24					114		3.50	GFA159 GFAF159 GF159 GFF159	8P				82			606	17.49	18					2.30	GF79	92	542			15.64	19	2.60	GFF79	102			487	14.06	18			2.90	GFF79			118	423	12.21			18		3.30			GFA69	4P	15	4393		46.48	114				3.90	GFA159 GFAF159 GF159 GFF159	8P			65	764	22.05				10									1.00	GFAF69	69	724			20.90	10	1.05	GFAF69	79	634	18.29	11	1.20	GF69			87	571							16.48	11	1.35	GFF69	4P	18		3786	40.06	114	4.50	GFA159 GFAF159 GF159 GFF159	8P	100						501	14.46		12	1.55										GFA69	113	442	12.76	12			1.75	GFAF69	127	392	11.31	12							1.95	GFAF69	149	335	9.66			12	2.30			GF69					4P	19	3665	52.24	113	4.60	GFA159 GFAF159 GF159 GFF159	8P		159	315	9.08	12	1.60		GFF69						167	298		8.60	12	1.80				GFF69									191		261					7.53	11	2.20	GFA129	4P	5.7	11835	125.23	85	0.95	GFA129	8P	212	235	6.78	11	2.50	GFAF129		242	206	5.95			11		2.80						GF129				274												182	5.25	11	3.10	GFF129	309	161	4.66	10	3.30	GFA129	4P	6.3	10793	114.21	86	1.05	GFAF129	8P	363	138		3.97	10	3.40	GF129	86		582		16.81	5.2	0.95	GF129	86		582	16.81	5.2	0.95	GFF129	91	550	15.88	5.2	1.05	GFA109	4P	7.3	9341	98.84	86	1.20	GFAF129	8P	107	468		13.52	5.3	1.20	GFA109	117		426		12.29	5.3	1.35	GFAF109	135		369	10.64	5.2	1.55	GF109	176	284	8.19	4.9	1.40	GFF109	4P	8.3	8242	87.21	86	1.40	GF109	8P	186	268		7.73	4.9	1.50	GFA109	219		228		6.58	4.8	1.75	GFAF109	241		207	5.98	4.8	1.90	GF109	278	179	5.18	4.7	2.20	GFF109	4P	8.5	8012	114.21	86	1.40	GFA109	8P	7.5kW							8.4		8063		170.64	86	1.40	GFA109	4P		4.6	14006	312	82	0.85	GFA129R89	4.9	13153	293	83	0.90	GFAF129R89	5.6		11627	259	86	1.05	GF129R89	6.5	10010		223	86	1.20	GFF129R89	7.3	8888	198		86	1.40	GFF129R89	15	4611	97.58	18	0.90	GFA109	4P	9.4	7253	153.50	86		1.55	GFAF109	4P	16	4246	89.85	28	0.95	GFA109	17	4092		86.59	28	1.00	GF109	18	3795		80.31	29	1.05	GFF109	19	3574	75.63	30	1.15	GFF109	20	3416	72.30	30	1.20	GFF109																																											
67	743	21.43	18	1.90	GFAF79		73	683	19.70	18	2.10								GF79		4P	14	4937	52.24		114		3.50	GFA159 GFAF159 GF159 GFF159	8P		82		606			17.49			18					2.30		GF79						92			542	15.64	19			2.60	GFF79	102	487	14.06	18			2.90	GFF79	118	423	12.21			18	3.30	GFA69			4P	15			4393	46.48	114			3.90	GFA159 GFAF159 GF159 GFF159	8P			65		764	22.05		10	1.00		GFAF69	69	724					20.90	10	1.05				GFAF69									79	634	18.29	11			1.20	GF69	87	571	16.48	11	1.35	GFF69	4P	18	3786	40.06	114	4.50							GFA159 GFAF159 GF159 GFF159	8P	100	501		14.46	12	1.55	GFA69	113	442			12.76						12	1.75		GFAF69	127					392	11.31				12	1.95	GFAF69	149	335			9.66	12	2.30	GF69	4P	19							3665	52.24	113	4.60	GFA159 GFAF159 GF159 GFF159			8P	159			315			9.08	12		1.60	GFF69	167	298	8.60			12	1.80	GFF69	191	261	7.53		11						2.20	GFA129		4P	5.7	11835				125.23							85		0.95	GFA129	8P					212	235	6.78	11		2.50	GFAF129	242	206	5.95	11		2.80	GF129	274	182	5.25	11		3.10	GFF129	309	161		4.66		10				3.30	GFA129	4P				6.3												10793	114.21	86	1.05	GFAF129	8P	363	138	3.97	10	3.40		GF129	86	582	16.81	5.2	0.95		GF129	86	582	16.81	5.2	0.95	GFF129	91		550	15.88	5.2	1.05	GFA109	4P	7.3		9341	98.84	86	1.20	GFAF129	8P	107	468	13.52	5.3	1.20		GFA109	117	426	12.29	5.3	1.35		GFAF109	135	369	10.64	5.2	1.55	GF109	176		284	8.19	4.9	1.40	GFF109	4P	8.3		8242	87.21	86	1.40	GF109	8P	186	268	7.73	4.9	1.50		GFA109	219	228	6.58	4.8	1.75		GFAF109	241	207	5.98	4.8	1.90	GF109	278		179	5.18	4.7	2.20	GFF109	4P	8.5		8012	114.21	86	1.40	GFA109	8P	7.5kW							8.4	8063	170.64	86	1.40		GFA109	4P	4.6	14006	312	82	0.85	GFA129R89		4.9	13153	293	83	0.90	GFAF129R89			5.6	11627	259	86	1.05	GF129R89	6.5	10010	223	86	1.20	GFF129R89	7.3		8888	198	86	1.40	GFF129R89	15	4611	97.58	18	0.90	GFA109	4P	9.4	7253	153.50	86	1.55	GFAF109	4P	16	4246	89.85	28	0.95	GFA109		17	4092	86.59	28	1.00	GF109	18		3795	80.31	29	1.05	GFF109	19	3574	75.63		30	1.15	GFF109	20	3416	72.30		30	1.20	GFF109																																																								
73	683	19.70	18	2.10	GF79	4P	14	4937	52.24	114	3.50			GFA159 GFAF159 GF159 GFF159		8P																																																																																																																																																																																																																																																																																																																																																																																																																																																																																																																																																																																			
82	606	17.49	18	2.30	GF79		92	542	15.64	19	2.60								GFF79			102	487	14.06		18		2.90				GFF79		118			423			12.21			18	3.30	GFA69		4P						15		4393	46.48	114	3.90			GFA159 GFAF159 GF159 GFF159	8P	65	764	22.05	10			1.00	GFAF69	69	724	20.90			10	1.05	GFAF69				79	634	18.29	11	1.20	GF69			87					571		16.48	11		1.35	GFF69		4P	18	3786					40.06	114	4.50			GFA159 GFAF159 GF159 GFF159	8P							100	501	14.46	12	1.55	GFA69			113	442	12.76	12	1.75	GFAF69	127	392		11.31	12	1.95	GFAF69	149									335	9.66		12	2.30	GF69	4P	19	3665			52.24		113	4.60			GFA159 GFAF159 GF159 GFF159	8P		159	315					9.08	12			1.60	GFF69	167	298	8.60	12			1.80	GFF69	191	261		7.53							11	2.20	GFA129	4P		5.7	11835		125.23			85			0.95	GFA129		8P	212	235	6.78	11			2.50	GFAF129	242	206	5.95	11	2.80	GF129						274	182			5.25	11			3.10	GFF129	309						161		4.66	10						3.30	GFA129	4P	6.3		10793	114.21	86	1.05	GFAF129	8P		363	138	3.97	10	3.40	GF129	86	582	16.81	5.2	0.95	GF129	86	582	16.81				5.2	0.95					GFF129							91					550	15.88	5.2	1.05	GFA109		4P	7.3	9341	98.84	86		1.20	GFAF129	8P	107	468	13.52		5.3	1.20	GFA109	117	426	12.29	5.3	1.35	GFAF109	135	369	10.64	5.2	1.55		GF109	176	284	8.19	4.9	1.40	GFF109		4P	8.3	8242	87.21	86		1.40	GF109	8P	186	268	7.73		4.9	1.50	GFA109	219	228	6.58	4.8	1.75	GFAF109	241	207	5.98	4.8	1.90		GF109	278	179	5.18	4.7	2.20	GFF109		4P	8.5	8012	114.21	86		1.40	GFA109	8P	7.5kW							8.4	8063	170.64	86	1.40	GFA109	4P	4.6	14006	312	82		0.85	GFA129R89	4.9	13153	293	83	0.90		GFAF129R89	5.6	11627	259	86		1.05	GF129R89	6.5	10010	223	86		1.20		GFF129R89	7.3	8888	198	86	1.40	GFF129R89	15	4611	97.58	18	0.90	GFA109		4P	9.4	7253	153.50	86	1.55	GFAF109	4P	16	4246	89.85	28	0.95	GFA109	17	4092	86.59	28	1.00	GF109	18	3795	80.31	29	1.05	GFF109		19	3574	75.63	30	1.15	GFF109		20	3416	72.30	30	1.20	GFF109																																																																																				
92	542	15.64	19	2.60	GFF79		102	487	14.06	18	2.90								GFF79			118	423	12.21		18		3.30				GFA69	4P	15		4393	46.48	114		3.90			GFA159 GFAF159 GF159 GFF159	8P	65								764		22.05	10	1.00	GFAF69					69	724	20.90	10			1.05	GFAF69	79	634	18.29			11	1.20	GF69	87	571		16.48	11	1.35	GFF69	4P	18			3786					40.06	114	4.50	GFA159 GFAF159 GF159 GFF159		8P	100			501	14.46					12	1.55	GFA69									113	442	12.76	12	1.75	GFAF69	127	392			11.31	12	1.95	GFAF69	149	335	9.66	12		2.30	GF69	4P	19	3665									52.24	113	4.60	GFA159 GFAF159 GF159 GFF159	8P	159		315	9.08			12	1.60	GFF69	167	298					8.60	12					1.80	GFF69			191	261	7.53	11	2.20	GFA129			4P	5.7	11835	125.23		85							0.95	GFA129	8P			212	235		6.78	11	2.50	GFAF129			242	206	5.95		11	2.80	GF129	274			182	5.25	11	3.10	GFF129	309	161	4.66						10	3.30			GFA129	4P			6.3	10793	114.21				86	1.05	GFAF129		8P	363						138	3.97		10	3.40	GF129	86	582	16.81	5.2		0.95	GF129	86	582	16.81	5.2	0.95	GFF129	91	550	15.88	5.2	1.05	GFA109	4P	7.3				9341	98.84		86	1.20		GFAF129							8P					107	468	13.52	5.3	1.20			GFA109	117	426	12.29	5.3	1.35	GFAF109		135	369	10.64	5.2	1.55	GF109	176	284	8.19	4.9	1.40	GFF109	4P	8.3	8242	87.21	86	1.40		GF109	8P	186	268	7.73	4.9	1.50			GFA109	219	228	6.58	4.8	1.75	GFAF109		241	207	5.98	4.8	1.90	GF109	278	179	5.18	4.7	2.20	GFF109	4P	8.5	8012	114.21	86	1.40		GFA109	8P	7.5kW							8.4	8063	170.64	86	1.40	GFA109	4P		4.6	14006	312	82	0.85	GFA129R89	4.9	13153	293	83	0.90	GFAF129R89	5.6		11627	259	86	1.05		GF129R89	6.5	10010	223	86	1.20	GFF129R89		7.3	8888	198	86	1.40	GFF129R89	15	4611	97.58	18	0.90	GFA109	4P	9.4		7253	153.50	86	1.55	GFAF109	4P	16	4246	89.85	28	0.95	GFA109	17	4092		86.59	28	1.00	GF109	18	3795		80.31	29	1.05	GFF109	19	3574	75.63	30	1.15	GFF109	20	3416	72.30	30	1.20	GFF109																																																																																																				
102	487	14.06	18	2.90	GFF79		118	423	12.21	18	3.30								GFA69		4P	15	4393	46.48	114	3.90	GFA159 GFAF159 GF159 GFF159	8P				65		764		22.05	10	1.00		GFAF69					69								724		20.90	10	1.05	GFAF69					79	634	18.29	11			1.20	GF69	87	571	16.48	11	1.35	GFF69	4P	18	3786	40.06	114	4.50	GFA159 GFAF159 GF159 GFF159	8P	100		501			14.46					12	1.55	GFA69				113			442	12.76					12	1.75	GFAF69							127	392	11.31	12	1.95	GFAF69	149	335	9.66	12			2.30	GF69	4P	19	3665	52.24	113	4.60	GFA159 GFAF159 GF159 GFF159	8P	159		315	9.08									12	1.60	GFF69			167		298	8.60			12	1.80	GFF69	191	261	7.53			11	2.20	GFA129					4P	5.7			11835	125.23	85	0.95	GFA129	8P				212	235	6.78	11	2.50							GFAF129	242				206	5.95		11	2.80	GF129	274	182	5.25	11	3.10	GFF129		309	161	4.66	10			3.30	GFA129	4P	6.3	10793	114.21	86	1.05						GFAF129	8P		363	138				3.97	10	3.40				GF129	86	582			16.81	5.2			0.95	GF129	86	582		16.81	5.2	0.95	GFF129	91	550	15.88		5.2	1.05	GFA109	4P	7.3	9341	98.84	86	1.20	GFAF129	8P	107	468	13.52		5.3				1.20	GFA109	117	426	12.29		5.3				1.35	GFAF109							135	369	10.64	5.2	1.55	GF109		176	284	8.19	4.9	1.40	GFF109	4P		8.3	8242	87.21	86	1.40	GF109	8P	186	268	7.73	4.9	1.50		GFA109	219	228	6.58	4.8	1.75	GFAF109		241	207	5.98	4.8	1.90	GF109		278	179	5.18	4.7	2.20	GFF109	4P		8.5	8012	114.21	86	1.40	GFA109	8P	7.5kW							8.4	8063	170.64	86	1.40	GFA109		4P	4.6	14006	312	82	0.85		GFA129R89	4.9	13153	293	83	0.90			GFAF129R89	5.6	11627	259	86	1.05	GF129R89	6.5	10010	223	86	1.20	GFF129R89		7.3	8888	198	86	1.40	GFF129R89	15	4611	97.58	18	0.90	GFA109	4P	9.4	7253	153.50	86	1.55	GFAF109	4P	16	4246	89.85	28	0.95		GFA109	17	4092	86.59	28	1.00	GF109		18	3795	80.31	29	1.05	GFF109	19	3574		75.63	30	1.15	GFF109	20	3416		72.30	30	1.20	GFF109																																																																																																																
118	423	12.21	18	3.30	GFA69	4P	15	4393	46.48	114	3.90				GFA159 GFAF159 GF159 GFF159			8P																																																																																																																																																																																																																																																																																																																																																																																																																																																																																																																																																																																	
65	764	22.05	10	1.00	GFAF69		69	724	20.90	10	1.05								GFAF69			79	634	18.29	11	1.20						GF69		87		571	16.48	11		1.35					GFF69		4P				18	3786	40.06		114	4.50	GFA159 GFAF159 GF159 GFF159	8P					100	501	14.46	12			1.55	GFA69	113	442	12.76	12	1.75	GFAF69		127	392	11.31	12	1.95			GFAF69		149			335					9.66	12	2.30		GF69		4P	19	3665	52.24	113					4.60	GFA159 GFAF159 GF159 GFF159	8P							159	315	9.08	12	1.60	GFF69	167	298	8.60	12			1.80	GFF69		191	261	7.53	11	2.20			GFA129		4P	5.7					11835	125.23			85	0.95	GFA129			8P	212	235	6.78			11	2.50	GFAF129	242	206	5.95			11	2.80	GF129						274			182	5.25	11	3.10	GFF129					309	161	4.66	10	3.30	GFA129	4P					6.3	10793		114.21		86	1.05		GFAF129	8P	363	138	3.97	10	3.40	GF129	86	582	16.81	5.2	0.95	GF129			86	582		16.81	5.2	0.95	GFF129	91						550			15.88	5.2		1.05	GFA109	4P	7.3	9341				98.84	86	1.20			GFAF129	8P			107	468	13.52	5.3	1.20	GFA109	117	426	12.29	5.3	1.35	GFAF109	135	369	10.64	5.2		1.55	GF109	176	284	8.19	4.9		1.40	GFF109	4P		8.3			8242	87.21	86	1.40	GF109	8P	186	268				7.73	4.9							1.50	GFA109	219	228	6.58	4.8	1.75	GFAF109	241	207	5.98	4.8	1.90		GF109	278	179	5.18	4.7	2.20	GFF109		4P	8.5	8012	114.21	86		1.40	GFA109	8P	7.5kW							8.4	8063	170.64	86	1.40	GFA109	4P	4.6	14006	312	82		0.85	GFA129R89	4.9	13153	293	83	0.90		GFAF129R89	5.6	11627	259	86		1.05	GF129R89	6.5	10010	223	86	1.20			GFF129R89	7.3	8888	198	86	1.40	GFF129R89	15	4611	97.58	18	0.90		GFA109	4P	9.4	7253	153.50	86	1.55	GFAF109	4P	16	4246	89.85	28	0.95	GFA109	17	4092	86.59	28	1.00	GF109	18	3795	80.31	29	1.05	GFF109		19	3574	75.63	30	1.15	GFF109		20	3416	72.30	30	1.20		GFF109																																																																																																																																											
69	724	20.90	10	1.05	GFAF69		79	634	18.29	11	1.20								GF69			87	571	16.48	11	1.35						GFF69	4P	18		3786	40.06	114		4.50		GFA159 GFAF159 GF159 GFF159			8P	100					501	14.46	12		1.55	GFA69							113	442	12.76	12			1.75	GFAF69	127	392	11.31	12	1.95	GFAF69		149	335	9.66	12	2.30			GF69	4P	19			3665			52.24	113	4.60	GFA159 GFAF159 GF159 GFF159	8P		159			315	9.08	12	1.60					GFF69									167	298	8.60	12	1.80	GFF69	191	261	7.53	11			2.20	GFA129		4P	5.7	11835	125.23	85			0.95	GFA129		8P			212	235	6.78	11			2.50	GFAF129	242				206	5.95	11			2.80	GF129	274	182	5.25	11			3.10	GFF129	309						161			4.66	10	3.30	GFA129	4P				6.3	10793	114.21	86	1.05	GFAF129	8P		363	138			3.97	10	3.40	GF129		86	582		16.81		5.2	0.95	GF129	86	582	16.81	5.2	0.95	GFF129	91	550	15.88			5.2	1.05		GFA109	4P	7.3	9341	98.84						86			1.20	GFAF129	8P	107	468		13.52	5.3		1.20	GFA109	117	426	12.29		5.3	1.35				GFAF109	135	369	10.64	5.2	1.55	GF109	176	284	8.19	4.9	1.40	GFF109	4P	8.3	8242		87.21	86	1.40	GF109	8P	186		268	7.73		4.9	1.50			GFA109	219	228	6.58	4.8		1.75	GFAF109			241	207	5.98	4.8	1.90					GF109	278	179	5.18	4.7	2.20	GFF109	4P	8.5	8012	114.21	86	1.40		GFA109	8P	7.5kW							8.4	8063	170.64	86	1.40	GFA109	4P		4.6	14006	312	82	0.85	GFA129R89	4.9	13153	293	83	0.90	GFAF129R89	5.6		11627	259	86	1.05		GF129R89	6.5	10010	223	86	1.20	GFF129R89		7.3	8888	198	86	1.40	GFF129R89	15	4611	97.58	18	0.90	GFA109	4P	9.4		7253	153.50	86	1.55	GFAF109	4P	16	4246	89.85	28	0.95	GFA109	17	4092		86.59	28	1.00	GF109	18	3795		80.31	29	1.05	GFF109	19	3574	75.63	30	1.15	GFF109	20	3416	72.30	30	1.20	GFF109																																																																																																																																																												
79	634	18.29	11	1.20	GF69		87	571	16.48	11	1.35								GFF69		4P	18	3786	40.06	114	4.50					GFA159 GFAF159 GF159 GFF159	8P		100	501	14.46	12	1.55		GFA69						113					442	12.76	12		1.75	GFAF69							127	392	11.31	12			1.95	GFAF69	149	335	9.66	12	2.30	GF69	4P	19	3665	52.24	113	4.60			GFA159 GFAF159 GF159 GFF159		8P	159	315	9.08			12	1.60	GFF69				167			298	8.60	12	1.80					GFF69									191	261	7.53	11	2.20	GFA129	4P	5.7	11835	125.23			85	0.95	GFA129		8P	212	235	6.78			11	2.50			GFAF129	242	206	5.95	11	2.80			GF129	274	182				5.25	11	3.10			GFF129	309	161	4.66	10	3.30			GFA129	4P	6.3					10793	114.21			86	1.05	GFAF129	8P		363			138	3.97	10	3.40	GF129	86			582	16.81	5.2	0.95	GF129	86	582	16.81		5.2	0.95		GFF129		91	550	15.88	5.2	1.05	GFA109	4P	7.3	9341	98.84	86	1.20			GFAF129	8P	107	468		13.52	5.3	1.20						GFA109	117		426	12.29		5.3	1.35		GFAF109	135		369	10.64	5.2	1.55	GF109		176	284		8.19	4.9	1.40	GFF109	4P	8.3	8242	87.21	86	1.40	GF109	8P	186	268	7.73		4.9	1.50	GFA109	219	228	6.58	4.8		1.75	GFAF109	241	207		5.98	4.8			1.90	GF109	278	179	5.18		4.7	2.20			GFF109	4P	8.5	8012	114.21			86	1.40	GFA109	8P	7.5kW							8.4	8063	170.64	86	1.40	GFA109		4P	4.6	14006	312	82	0.85		GFA129R89	4.9	13153	293	83	0.90			GFAF129R89	5.6	11627	259	86	1.05	GF129R89	6.5	10010	223	86	1.20	GFF129R89		7.3	8888	198	86	1.40	GFF129R89	15	4611	97.58	18	0.90	GFA109	4P	9.4	7253	153.50	86	1.55	GFAF109	4P	16	4246	89.85	28	0.95		GFA109	17	4092	86.59	28	1.00	GF109		18	3795	80.31	29	1.05	GFF109	19	3574		75.63	30	1.15	GFF109	20	3416		72.30	30	1.20	GFF109																																																																																																																																																																								
87	571	16.48	11	1.35	GFF69	4P	18	3786	40.06	114	4.50						GFA159 GFAF159 GF159 GFF159		8P																																																																																																																																																																																																																																																																																																																																																																																																																																																																																																																																																																																
100	501	14.46	12	1.55	GFA69		113	442	12.76	12	1.75									GFAF69		127	392	11.31	12	1.95								GFAF69	149	335	9.66	12		2.30						GF69	4P				19	3665	52.24		113	4.60			GFA159 GFAF159 GF159 GFF159	8P			159	315	9.08	12			1.60	GFF69	167	298	8.60	12	1.80	GFF69		191	261	7.53	11	2.20						GFA129	4P	5.7			11835	125.23	85				0.95		GFA129	8P	212	235	6.78					11							2.50	GFAF129	242	206	5.95	11	2.80	GF129		274	182	5.25			11	3.10	GFF129			309	161	4.66			10	3.30	GFA129		4P	6.3	10793	114.21	86	1.05			GFAF129	8P	363			138	3.97	10	3.40			GF129	86	582	16.81	5.2	0.95			GF129		86					582	16.81	5.2	0.95	GFF129	91	550			15.88			5.2	1.05	GFA109	4P	7.3	9341		98.84	86	1.20	GFAF129	8P	107	468	13.52	5.3		1.20	GFA109		117	426	12.29	5.3	1.35	GFAF109	135	369		10.64	5.2	1.55	GF109	176			284		8.19	4.9		1.40	GFF109	4P	8.3	8242				87.21	86		1.40	GF109		8P	186	268	7.73	4.9		1.50	GFA109	219	228	6.58		4.8	1.75	GFAF109	241	207	5.98	4.8		1.90	GF109	278	179	5.18	4.7		2.20	GFF109	4P		8.5	8012	114.21	86	1.40	GFA109	8P		7.5kW							8.4	8063	170.64	86	1.40	GFA109	4P	4.6	14006	312			82		0.85	GFA129R89	4.9			13153	293	83		0.90	GFAF129R89	5.6	11627	259		86	1.05	GF129R89	6.5	10010	223	86			1.20	GFF129R89	7.3	8888	198	86	1.40	GFF129R89	15	4611	97.58	18		0.90	GFA109	4P	9.4	7253	153.50	86	1.55	GFAF109	4P	16	4246	89.85	28	0.95	GFA109	17	4092	86.59	28	1.00	GF109	18	3795	80.31	29	1.05		GFF109	19	3574	75.63	30	1.15		GFF109	20	3416	72.30	30		1.20	GFF109																																																																																																																																																																																																		
113	442	12.76	12	1.75	GFAF69		127	392	11.31	12	1.95									GFAF69		149	335	9.66	12	2.30							GF69	4P	19	3665	52.24	113		4.60						GFA159 GFAF159 GF159 GFF159				8P	159	315	9.08	12	1.60	GFF69							167	298	8.60	12			1.80	GFF69	191	261	7.53	11	2.20	GFA129		4P	5.7	11835	125.23	85				0.95		GFA129		8P			212	235	6.78				11		2.50		GFAF129	242	206					5.95			11	2.80			GF129	274	182	5.25	11	3.10	GFF129	309		161	4.66	10			3.30	GFA129	4P	6.3		10793	114.21	86			1.05	GFAF129	8P	363		138	3.97	10	3.40	GF129			86		582			16.81	5.2	0.95	GF129			86	582	16.81	5.2	0.95	GFF129			91		550			15.88	5.2	1.05	GFA109	4P	7.3	9341	98.84	86		1.20	GFAF129			8P	107	468		13.52	5.3	1.20	GFA109	117	426	12.29		5.3	1.35	GFAF109	135		369	10.64		5.2	1.55	GF109	176	284	8.19	4.9	1.40		GFF109	4P	8.3	8242	87.21			86		1.40	GF109	8P	186	268		7.73	4.9	1.50	GFA109		219	228		6.58	4.8	1.75		GFAF109	241	207	5.98		4.8	1.90	GF109	278	179		5.18	4.7	2.20	GFF109	4P	8.5	8012		114.21	86	1.40	GFA109	8P	7.5kW							8.4	8063	170.64	86	1.40		GFA109	4P	4.6	14006	312	82	0.85	GFA129R89	4.9	13153	293	83	0.90	GFAF129R89		5.6	11627	259	86	1.05	GF129R89		6.5	10010	223			86	1.20	GFF129R89		7.3	8888	198	86	1.40	GFF129R89	15	4611	97.58	18	0.90	GFA109	4P	9.4		7253	153.50	86	1.55	GFAF109	4P	16	4246	89.85	28	0.95	GFA109	17	4092	86.59		28	1.00	GF109	18	3795	80.31		29	1.05	GFF109	19	3574	75.63	30	1.15	GFF109	20	3416	72.30	30	1.20	GFF109																																																																																																																																																																																																																				
127	392	11.31	12	1.95	GFAF69		149	335	9.66	12	2.30									GF69	4P	19	3665	52.24	113	4.60							GFA159 GFAF159 GF159 GFF159		8P	159	315	9.08	12	1.60	GFF69										167	298	8.60	12	1.80	GFF69							191	261	7.53	11			2.20	GFA129	4P	5.7	11835	125.23	85	0.95	GFA129		8P	212	235	6.78				11		2.50					GFAF129	242	206				5.95		11		2.80	GF129	274			182	5.25	11			3.10	GFF129			309	161	4.66	10	3.30	GFA129	4P	6.3	10793	114.21	86	1.05			GFAF129	8P		363	138	3.97	10	3.40			GF129	86		582		16.81	5.2	0.95	GF129	86			582		16.81			5.2	0.95	GFF129	91			550	15.88	5.2	1.05	GFA109	4P			7.3	9341	98.84	86	1.20	GFAF129	8P	107	468		13.52	5.3	1.20	GFA109	117	426	12.29				5.3	1.35		GFAF109	135	369	10.64	5.2	1.55	GF109		176	284	8.19	4.9		1.40	GFF109		4P	8.3	8242	87.21	86	1.40	GF109	8P	186	268		7.73	4.9	1.50			GFA109	219	228	6.58		4.8	1.75		GFAF109	241	207	5.98	4.8	1.90	GF109	278	179	5.18	4.7		2.20	GFF109	4P	8.5		8012	114.21	86	1.40	GFA109		8P	7.5kW							8.4	8063	170.64	86		1.40	GFA109	4P	4.6		14006	312	82	0.85	GFA129R89	4.9	13153		293		83	0.90	GFAF129R89	5.6	11627	259	86	1.05	GF129R89	6.5	10010	223		86	1.20	GFF129R89	7.3	8888	198	86	1.40	GFF129R89	15	4611	97.58	18	0.90	GFA109	4P	9.4	7253	153.50	86	1.55	GFAF109	4P	16	4246	89.85	28	0.95		GFA109	17	4092	86.59	28	1.00	GF109		18	3795	80.31	29	1.05	GFF109	19	3574	75.63		30	1.15	GFF109	20	3416	72.30		30	1.20	GFF109																																																																																																																																																																																																																																
149	335	9.66	12	2.30	GF69	4P	19	3665	52.24	113	4.60	GFA159 GFAF159 GF159 GFF159	8P																																																																																																																																																																																																																																																																																																																																																																																																																																																																																																																																																																																						
159	315	9.08	12	1.60	GFF69		167	298	8.60	12	1.80									GFF69		191	261	7.53	11	2.20										GFA129	4P	5.7	11835	125.23	85						0.95				GFA129	8P	212	235	6.78	11							2.50	GFAF129	242	206	5.95	11	2.80	GF129		274	182	5.25	11	3.10	GFF129			309	161	4.66				10		3.30	GFA129				4P	6.3	10793				114.21		86	1.05	GFAF129	8P	363			138	3.97	10			3.40	GF129			86	582	16.81	5.2	0.95	GF129		86	582	16.81	5.2	0.95	GFF129	91	550			15.88	5.2	1.05	GFA109	4P			7.3	9341		98.84	86	1.20	GFAF129	8P	107	468			13.52	5.3	1.20			GFA109	117	426	12.29			5.3	1.35	GFAF109	135	369				10.64	5.2	1.55	GF109	176	284		8.19	4.9		1.40	GFF109	4P	8.3	8242	87.21	86	1.40	GF109		8P	186	268	7.73	4.9	1.50	GFA109	219	228	6.58	4.8	1.75	GFAF109	241	207		5.98	4.8			1.90	GF109	278	179	5.18	4.7		2.20	GFF109		4P	8.5	8012			114.21	86	1.40	GFA109		8P	7.5kW							8.4	8063	170.64	86	1.40	GFA109	4P	4.6	14006		312	82	0.85	GFA129R89	4.9	13153	293	83		0.90	GFAF129R89	5.6		11627	259	86	1.05	GF129R89	6.5	10010		223	86		1.20	GFF129R89	7.3	8888	198	86	1.40	GFF129R89	15	4611	97.58		18	0.90	GFA109	4P	9.4	7253	153.50	86	1.55	GFAF109	4P	16	4246	89.85	28	0.95	GFA109	17	4092	86.59	28	1.00	GF109	18	3795	80.31	29	1.05		GFF109	19	3574	75.63	30	1.15		GFF109	20	3416	72.30	30		1.20	GFF109																																																																																																																																																																																																																																																										
167	298	8.60	12	1.80	GFF69		191	261	7.53	11	2.20									GFA129		4P	5.7	11835	125.23	85								0.95		GFA129		8P	212	235	6.78						11	2.50	GFAF129		242		206	5.95	11	2.80							GF129	274	182	5.25	11	3.10	GFF129	309		161	4.66	10	3.30	GFA129	4P	6.3		10793	114.21	86				1.05		GFAF129	8P	363				138	3.97				10		3.40	GF129	86		582	16.81	5.2	0.95	GF129	86			582	16.81			5.2	0.95	GFF129	91	550	15.88		5.2	1.05	GFA109	4P	7.3	9341	98.84	86		1.20	GFAF129	8P	107	468				13.52	5.3	1.20	GFA109	117	426	12.29		5.3	1.35			GFAF109	135	369			10.64	5.2	1.55	GF109	176	284	8.19	4.9	1.40	GFF109	4P				8.3	8242	87.21	86	1.40	GF109		8P	186	268	7.73	4.9		1.50	GFA109	219	228	6.58	4.8	1.75		GFAF109	241	207	5.98	4.8	1.90	GF109	278	179	5.18	4.7	2.20	GFF109	4P		8.5	8012			114.21	86	1.40	GFA109	8P	7.5kW							8.4	8063	170.64	86	1.40	GFA109	4P	4.6		14006	312	82	0.85	GFA129R89	4.9	13153	293	83	0.90	GFAF129R89	5.6	11627		259	86		1.05	GF129R89	6.5	10010	223	86	1.20	GFF129R89		7.3	8888	198	86	1.40	GFF129R89	15	4611	97.58	18	0.90	GFA109	4P	9.4		7253	153.50	86	1.55	GFAF109	4P	16	4246	89.85	28	0.95	GFA109	17	4092	86.59		28	1.00	GF109	18	3795	80.31		29	1.05	GFF109	19	3574	75.63	30	1.15	GFF109	20	3416	72.30	30	1.20	GFF109																																																																																																																																																																																																																																																																												
191	261	7.53	11	2.20	GFA129		4P	5.7	11835	125.23	85									0.95	GFA129		8P																																																																																																																																																																																																																																																																																																																																																																																																																																																																																																																																																																												
212	235	6.78	11	2.50	GFAF129	242		206	5.95	11	2.80			GF129		274				182	5.25			11	3.10	GFF129			309	161				4.66		10			3.30	GFA129	4P						6.3	10793	114.21		86		1.05	GFAF129	8P	363							138	3.97	10	3.40	GF129	86	582	16.81	5.2	0.95	GF129	86	582	16.81		5.2	0.95	GFF129	91	550				15.88		5.2		1.05	GFA109	4P		7.3	9341				98.84		86	1.20	GFAF129		8P	107	468	13.52	5.3	1.20			GFA109	117			426	12.29	5.3	1.35	GFAF109	135	369	10.64	5.2	1.55		GF109	176	284	8.19	4.9	1.40	GFF109		4P	8.3				8242	87.21	86	1.40	GF109	8P	186		268	7.73	4.9	1.50	GFA109	219	228			6.58	4.8	1.75	GFAF109	241	207	5.98	4.8	1.90	GF109		278			179	5.18	4.7	2.20	GFF109	4P	8.5		8012	114.21	86	1.40		GFA109	8P	7.5kW							8.4	8063	170.64	86	1.40	GFA109	4P	4.6	14006	312	82	0.85		GFA129R89	4.9	13153	293	83	0.90	GFAF129R89	5.6	11627		259	86	1.05	GF129R89	6.5		10010	223	86	1.20	GFF129R89	7.3	8888		198		86	1.40	GFF129R89	15	4611	97.58	18	0.90	GFA109	4P	9.4	7253	153.50		86	1.55	GFAF109	4P	16	4246	89.85	28	0.95	GFA109	17	4092	86.59	28	1.00	GF109	18	3795	80.31	29	1.05	GFF109	19	3574		75.63	30	1.15	GFF109	20	3416	72.30		30	1.20	GFF109																																																																																																																																																																																																																																																																																																									
242	206	5.95	11	2.80	GF129	274		182	5.25	11	3.10			GFF129		309				161	4.66			10	3.30	GFA129			4P	6.3				10793		114.21	86		1.05	GFAF129							8P	363	138		3.97	10	3.40	GF129		86					582	16.81	5.2	0.95	GF129	86	582	16.81	5.2	0.95	GFF129	91	550	15.88	5.2	1.05		GFA109	4P	7.3	9341	98.84				86		1.20		GFAF129	8P		107	468	13.52				5.3		1.20	GFA109	117	426		12.29	5.3	1.35	GFAF109	135			369	10.64	5.2	1.55	GF109	176	284	8.19	4.9	1.40	GFF109	4P	8.3	8242		87.21	86	1.40	GF109	8P	186	268			7.73	4.9			1.50	GFA109	219	228	6.58		4.8	1.75	GFAF109	241	207	5.98	4.8	1.90	GF109			278	179	5.18	4.7	2.20	GFF109	4P	8.5	8012	114.21		86	1.40	GFA109	8P	7.5kW							8.4	8063	170.64	86	1.40	GFA109		4P	4.6	14006	312	82	0.85	GFA129R89	4.9	13153	293	83	0.90	GFAF129R89		5.6	11627	259	86	1.05		GF129R89	6.5	10010	223	86	1.20	GFF129R89	7.3	8888		198	86	1.40	GFF129R89	15	4611	97.58	18	0.90	GFA109	4P	9.4	7253		153.50	86	1.55	GFAF109	4P	16	4246	89.85	28	0.95	GFA109		17	4092	86.59	28	1.00	GF109	18		3795	80.31	29	1.05	GFF109	19	3574	75.63	30	1.15	GFF109	20	3416	72.30	30	1.20	GFF109																																																																																																																																																																																																																																																																																																																								
274	182	5.25	11	3.10	GFF129	309		161	4.66	10	3.30			GFA129		4P				6.3	10793	114.21		86	1.05	GFAF129				8P				363		138	3.97	10	3.40	GF129			86	582				16.81	5.2		0.95	GF129	86	582		16.81					5.2	0.95	GFF129	91	550	15.88	5.2	1.05	GFA109	4P	7.3	9341	98.84	86	1.20	GFAF129	8P	107		468	13.52	5.3				1.20		GFA109	117	426			12.29	5.3	1.35			GFAF109	135	369	10.64	5.2	1.55	GF109		176	284	8.19	4.9	1.40			GFF109	4P	8.3	8242	87.21	86	1.40	GF109	8P	186	268		7.73	4.9	1.50	GFA109	219	228	6.58		4.8	1.75	GFAF109		241	207			5.98	4.8	1.90	GF109	278		179	5.18	4.7	2.20	GFF109	4P	8.5	8012	114.21	86	1.40	GFA109	8P	7.5kW							8.4	8063	170.64	86	1.40		GFA109	4P	4.6	14006		312	82	0.85	GFA129R89	4.9	13153	293	83			0.90	GFAF129R89	5.6	11627	259	86	1.05	GF129R89	6.5	10010	223	86		1.20	GFF129R89	7.3	8888	198	86	1.40	GFF129R89	15	4611	97.58	18	0.90	GFA109	4P	9.4	7253	153.50	86	1.55	GFAF109	4P	16	4246	89.85	28		0.95	GFA109	17	4092	86.59	28	1.00		GF109	18	3795	80.31	29	1.05		GFF109	19	3574	75.63	30	1.15	GFF109		20	3416	72.30	30	1.20	GFF109																																																																																																																																																																																																																																																																																																																																			
309	161	4.66	10	3.30	GFA129	4P	6.3	10793	114.21	86	1.05			GFAF129						8P																																																																																																																																																																																																																																																																																																																																																																																																																																																																																																																																																																															
363	138	3.97	10	3.40	GF129		86	582	16.81	5.2	0.95			GF129	86			582			16.81	5.2	0.95	GFF129	91	550	15.88	5.2						1.05		GFA109	4P	7.3	9341	98.84	86		1.20	GFAF129				8P	107		468	13.52	5.3	1.20	GFA109	117					426	12.29	5.3	1.35	GFAF109	135	369	10.64	5.2		1.55	GF109	176	284	8.19	4.9		1.40		GFF109	4P	8.3	8242	87.21		86		1.40	GF109	8P		186	268	7.73	4.9			1.50	GFA109	219	228	6.58	4.8	1.75	GFAF109	241	207	5.98	4.8	1.90			GF109		278	179	5.18	4.7	2.20	GFF109		4P	8.5		8012	114.21	86	1.40	GFA109	8P	7.5kW							8.4	8063	170.64	86	1.40	GFA109	4P	4.6	14006	312	82	0.85	GFA129R89	4.9		13153	293	83	0.90	GFAF129R89	5.6		11627	259	86	1.05		GF129R89	6.5	10010	223	86	1.20	GFF129R89		7.3		8888	198	86	1.40	GFF129R89	15	4611	97.58	18	0.90	GFA109	4P		9.4	7253	153.50	86	1.55	GFAF109	4P	16	4246	89.85	28	0.95	GFA109	17	4092	86.59	28	1.00	GF109	18	3795	80.31	29	1.05	GFF109	19	3574		75.63	30	1.15	GFF109	20	3416		72.30	30	1.20	GFF109																																																																																																																																																																																																																																																																																																																																																																	
86	582	16.81	5.2	0.95	GF129		86	582	16.81	5.2	0.95			GFF129	91			550			15.88	5.2	1.05	GFA109	4P	7.3	9341	98.84	86					1.20		GFAF129		8P	107	468	13.52		5.3	1.20			GFA109		117		426	12.29	5.3	1.35	GFAF109	135	369	10.64			5.2	1.55	GF109	176	284	8.19	4.9	1.40	GFF109		4P	8.3	8242	87.21	86	1.40		GF109	8P	186		268	7.73	4.9		1.50		GFA109	219		228	6.58	4.8	1.75	GFAF109			241	207	5.98	4.8	1.90	GF109	278	179	5.18	4.7	2.20	GFF109	4P	8.5	8012	114.21		86	1.40	GFA109	8P	7.5kW							8.4	8063	170.64	86		1.40	GFA109	4P	4.6	14006	312	82	0.85	GFA129R89	4.9	13153	293	83		0.90	GFAF129R89	5.6	11627	259	86	1.05		GF129R89	6.5	10010	223	86	1.20		GFF129R89	7.3	8888	198	86	1.40	GFF129R89	15	4611	97.58	18	0.90	GFA109	4P		9.4	7253	153.50	86	1.55	GFAF109	4P	16	4246	89.85	28		0.95	GFA109	17	4092	86.59	28	1.00		GF109	18	3795	80.31	29	1.05	GFF109	19	3574	75.63	30	1.15	GFF109	20	3416	72.30	30	1.20	GFF109																																																																																																																																																																																																																																																																																																																																																																														
86	582	16.81	5.2	0.95	GFF129		91	550	15.88	5.2	1.05			GFA109	4P	7.3		9341			98.84	86	1.20	GFAF129		8P	107	468	13.52	5.3				1.20		GFA109			117	426	12.29	5.3	1.35	GFAF109	135		369		10.64		5.2	1.55	GF109	176	284	8.19	4.9	1.40			GFF109	4P	8.3	8242	87.21	86	1.40	GF109	8P	186		268	7.73	4.9	1.50	GFA109	219	228		6.58		4.8	1.75	GFAF109		241		207	5.98		4.8	1.90	GF109	278	179	5.18	4.7	2.20	GFF109	4P	8.5	8012	114.21	86	1.40	GFA109	8P	7.5kW							8.4	8063	170.64		86	1.40	GFA109		4P	4.6	14006	312	82	0.85	GFA129R89		4.9	13153		293	83	0.90	GFAF129R89	5.6	11627	259	86	1.05	GF129R89		6.5	10010	223	86	1.20	GFF129R89	7.3	8888	198	86	1.40	GFF129R89	15	4611	97.58	18	0.90	GFA109	4P	9.4	7253	153.50	86	1.55	GFAF109	4P	16	4246		89.85	28	0.95	GFA109	17	4092	86.59		28	1.00	GF109	18		3795	80.31	29	1.05	GFF109	19	3574		75.63	30	1.15	GFF109	20	3416	72.30	30	1.20	GFF109																																																																																																																																																																																																																																																																																																																																																																																							
91	550	15.88	5.2	1.05	GFA109	4P	7.3	9341	98.84	86	1.20			GFAF129		8P																																																																																																																																																																																																																																																																																																																																																																																																																																																																																																																																																																																			
107	468	13.52	5.3	1.20	GFA109		117	426	12.29	5.3	1.35			GFAF109			135	369	10.64	5.2	1.55	GF109	176	284			8.19	4.9	1.40	GFF109	4P	8.3		8242		87.21	86		1.40	GF109	8P	186	268	7.73	4.9		1.50	GFA109	219		228	6.58	4.8	1.75	GFAF109	241	207	5.98			4.8		1.90	GF109	278	179	5.18	4.7		2.20		GFF109	4P	8.5	8012	114.21	86	1.40		GFA109	8P	7.5kW							8.4	8063	170.64	86	1.40	GFA109	4P	4.6	14006	312	82		0.85	GFA129R89	4.9	13153	293	83		0.90	GFAF129R89		5.6	11627	259	86	1.05	GF129R89	6.5		10010	223	86	1.20		GFF129R89	7.3	8888	198	86	1.40	GFF129R89	15	4611		97.58	18	0.90	GFA109	4P	9.4	7253	153.50	86	1.55	GFAF109	4P	16	4246	89.85	28	0.95	GFA109	17	4092	86.59	28	1.00	GF109	18	3795	80.31	29	1.05		GFF109	19	3574	75.63	30	1.15		GFF109	20		3416	72.30	30	1.20	GFF109																																																																																																																																																																																																																																																																																																																																																																																																																	
117	426	12.29	5.3	1.35	GFAF109		135	369	10.64	5.2	1.55			GF109			176	284	8.19	4.9	1.40	GFF109	4P	8.3	8242		87.21	86	1.40	GF109		8P		186		268	7.73	4.9	1.50	GFA109		219	228	6.58	4.8		1.75	GFAF109	241		207	5.98	4.8	1.90	GF109	278	179	5.18	4.7	2.20	GFF109		4P	8.5	8012	114.21	86	1.40		GFA109	8P	7.5kW							8.4	8063		170.64	86	1.40	GFA109	4P	4.6	14006	312	82	0.85	GFA129R89	4.9	13153		293	83	0.90	GFAF129R89		5.6	11627	259	86	1.05	GF129R89		6.5	10010	223	86	1.20	GFF129R89	7.3	8888	198	86	1.40	GFF129R89	15	4611	97.58		18	0.90	GFA109	4P	9.4	7253	153.50	86	1.55	GFAF109	4P	16	4246	89.85		28	0.95	GFA109	17	4092	86.59		28	1.00	GF109	18	3795	80.31	29	1.05	GFF109	19	3574	75.63	30	1.15	GFF109	20	3416		72.30	30	1.20	GFF109																																																																																																																																																																																																																																																																																																																																																																																																																												
135	369	10.64	5.2	1.55	GF109		176	284	8.19	4.9	1.40			GFF109	4P		8.3	8242	87.21	86	1.40	GF109		8P	186	268	7.73	4.9	1.50	GFA109				219		228	6.58	4.8	1.75	GFAF109		241	207	5.98	4.8	1.90	GF109	278	179	5.18	4.7	2.20	GFF109	4P	8.5	8012	114.21	86	1.40	GFA109	8P	7.5kW							8.4	8063		170.64		86	1.40	GFA109	4P	4.6	14006	312		82	0.85	GFA129R89	4.9		13153	293	83	0.90	GFAF129R89	5.6	11627	259		86	1.05	GF129R89	6.5	10010	223	86	1.20	GFF129R89	7.3	8888	198	86	1.40	GFF129R89	15	4611	97.58	18	0.90	GFA109	4P	9.4	7253	153.50	86	1.55	GFAF109	4P	16	4246		89.85	28	0.95	GFA109	17	4092		86.59	28	1.00		GF109	18	3795	80.31	29	1.05		GFF109	19	3574	75.63	30	1.15	GFF109	20	3416	72.30	30	1.20	GFF109																																																																																																																																																																																																																																																																																																																																																																																																																																					
176	284	8.19	4.9	1.40	GFF109	4P	8.3	8242	87.21	86	1.40			GF109		8P																																																																																																																																																																																																																																																																																																																																																																																																																																																																																																																																																																																			
186	268	7.73	4.9	1.50	GFA109		219	228	6.58	4.8	1.75	GFAF109	241	207			5.98	4.8	1.90	GF109	278	179			5.18	4.7	2.20	GFF109	4P	8.5	8012		114.21	86	1.40	GFA109	8P	7.5kW							8.4	8063	170.64	86	1.40	GFA109	4P	4.6	14006		312	82	0.85	GFA129R89	4.9	13153		293		83	0.90	GFAF129R89	5.6	11627	259	86		1.05	GF129R89	6.5	10010	223		86	1.20	GFF129R89	7.3	8888	198	86	1.40		GFF129R89	15	4611	97.58	18	0.90	GFA109	4P	9.4	7253	153.50	86	1.55	GFAF109	4P	16	4246	89.85	28	0.95	GFA109	17	4092	86.59	28	1.00	GF109	18	3795	80.31		29	1.05	GFF109	19	3574	75.63		30	1.15		GFF109	20	3416	72.30	30	1.20		GFF109																																																																																																																																																																																																																																																																																																																																																																																																																																																												
219	228	6.58	4.8	1.75	GFAF109		241	207	5.98	4.8	1.90	GF109	278	179			5.18	4.7	2.20	GFF109	4P	8.5	8012		114.21	86	1.40	GFA109		8P	7.5kW							8.4	8063	170.64	86	1.40	GFA109	4P	4.6	14006	312	82	0.85	GFA129R89		4.9	13153		293	83	0.90	GFAF129R89	5.6	11627		259	86	1.05	GF129R89	6.5	10010	223	86	1.20	GFF129R89	7.3	8888	198	86	1.40		GFF129R89	15	4611	97.58	18	0.90	GFA109	4P	9.4	7253	153.50	86	1.55	GFAF109	4P	16		4246	89.85	28	0.95	GFA109	17		4092	86.59	28	1.00	GF109	18	3795	80.31	29	1.05	GFF109	19	3574	75.63	30		1.15	GFF109	20	3416	72.30	30		1.20	GFF109																																																																																																																																																																																																																																																																																																																																																																																																																																																																					
241	207	5.98	4.8	1.90	GF109		278	179	5.18	4.7	2.20	GFF109	4P	8.5	8012		114.21	86	1.40	GFA109		8P	7.5kW								8.4	8063	170.64	86	1.40	GFA109		4P	4.6	14006	312	82	0.85		GFA129R89	4.9	13153	293	83	0.90		GFAF129R89	5.6	11627	259	86	1.05	GF129R89	6.5	10010	223	86	1.20	GFF129R89	7.3	8888	198	86	1.40	GFF129R89	15	4611	97.58	18	0.90	GFA109	4P	9.4	7253	153.50	86	1.55	GFAF109	4P		16	4246	89.85	28	0.95	GFA109		17		4092	86.59	28	1.00	GF109	18		3795	80.31	29	1.05	GFF109	19	3574	75.63	30	1.15	GFF109	20	3416	72.30	30	1.20	GFF109																																																																																																																																																																																																																																																																																																																																																																																																																																																																													
278	179	5.18	4.7	2.20	GFF109	4P	8.5	8012	114.21	86	1.40	GFA109		8P																																																																																																																																																																																																																																																																																																																																																																																																																																																																																																																																																																																					
7.5kW							8.4	8063	170.64	86	1.40	GFA109			4P																																																																																																																																																																																																																																																																																																																																																																																																																																																																																																																																																																																				
4.6	14006	312	82	0.85	GFA129R89		4.9	13153	293	83	0.90	GFAF129R89				5.6	11627	259	86	1.05	GF129R89		6.5	10010	223	86	1.20	GFF129R89	7.3	8888	198	86	1.40	GFF129R89	15	4611	97.58		18	0.90	GFA109	4P	9.4	7253	153.50	86	1.55	GFAF109	4P	16	4246	89.85	28	0.95	GFA109	17	4092	86.59	28	1.00	GF109	18	3795	80.31	29	1.05	GFF109	19	3574	75.63	30	1.15	GFF109	20	3416	72.30		30	1.20	GFF109																																																																																																																																																																																																																																																																																																																																																																																																																																																																																																																			
4.9	13153	293	83	0.90	GFAF129R89		5.6	11627	259	86	1.05	GF129R89	6.5			10010	223	86	1.20	GFF129R89	7.3	8888	198	86	1.40	GFF129R89	15	4611	97.58	18	0.90	GFA109	4P	9.4	7253	153.50	86	1.55	GFAF109	4P	16		4246	89.85	28	0.95	GFA109	17		4092	86.59	28	1.00	GF109	18	3795	80.31	29	1.05	GFF109	19	3574	75.63	30	1.15	GFF109	20	3416	72.30	30	1.20	GFF109																																																																																																																																																																																																																																																																																																																																																																																																																																																																																																																											
5.6	11627	259	86	1.05	GF129R89	6.5	10010	223	86	1.20	GFF129R89	7.3	8888	198		86	1.40	GFF129R89	15	4611	97.58	18	0.90	GFA109	4P	9.4	7253	153.50	86	1.55	GFAF109	4P		16	4246	89.85	28	0.95	GFA109		17		4092	86.59	28	1.00	GF109	18		3795	80.31	29	1.05	GFF109	19	3574	75.63	30	1.15	GFF109	20	3416	72.30	30	1.20	GFF109																																																																																																																																																																																																																																																																																																																																																																																																																																																																																																																																	
6.5	10010	223	86	1.20	GFF129R89	7.3	8888	198	86	1.40	GFF129R89	15	4611	97.58	18	0.90	GFA109	4P	9.4	7253	153.50	86	1.55	GFAF109		4P	16	4246	89.85	28	0.95			GFA109	17	4092	86.59	28	1.00		GF109		18	3795	80.31	29	1.05	GFF109		19	3574	75.63	30	1.15	GFF109	20	3416	72.30	30	1.20	GFF109																																																																																																																																																																																																																																																																																																																																																																																																																																																																																																																																						
7.3	8888	198	86	1.40	GFF129R89	15	4611	97.58	18	0.90	GFA109	4P	9.4	7253	153.50	86	1.55		GFAF109	4P	16	4246	89.85	28			0.95	GFA109	17	4092	86.59			28	1.00	GF109	18	3795	80.31		29	1.05	GFF109	19	3574	75.63	30	1.15	GFF109	20	3416	72.30	30	1.20	GFF109																																																																																																																																																																																																																																																																																																																																																																																																																																																																																																																																												
15	4611	97.58	18	0.90	GFA109	4P	9.4	7253	153.50	86	1.55		GFAF109	4P																																																																																																																																																																																																																																																																																																																																																																																																																																																																																																																																																																																					
16	4246	89.85	28	0.95	GFA109		17	4092	86.59	28	1.00		GF109		18	3795	80.31		29		1.05	GFF109	19	3574	75.63		30	1.15	GFF109	20	3416	72.30	30	1.20	GFF109																																																																																																																																																																																																																																																																																																																																																																																																																																																																																																																																																																
17	4092	86.59	28	1.00	GF109		18	3795	80.31	29	1.05		GFF109		19	3574	75.63	30	1.15		GFF109	20	3416	72.30	30	1.20	GFF109																																																																																																																																																																																																																																																																																																																																																																																																																																																																																																																																																																								
18	3795	80.31	29	1.05	GFF109		19	3574	75.63	30	1.15	GFF109	20		3416	72.30	30	1.20	GFF109																																																																																																																																																																																																																																																																																																																																																																																																																																																																																																																																																																																
19	3574	75.63	30	1.15	GFF109	20	3416	72.30	30	1.20	GFF109																																																																																																																																																																																																																																																																																																																																																																																																																																																																																																																																																																																								
20	3416	72.30	30	1.20	GFF109																																																																																																																																																																																																																																																																																																																																																																																																																																																																																																																																																																																														

选型参数表
(恒功率)
Selection Table
(Constant Power)

n_a [r/min]	M_a [N.m]	i	F_{Ra} [kN]	f_B	机型号 Type size	极数 Pole	n_a [r/min]	M_a [N.m]	i	F_{Ra} [kN]	f_B	机型号 Type size	极数 Pole	
7.5kW							11kW							
22	3094	65.47	31	1.30			5.4	18334	178.20	91	0.90			
25	2743	58.06	30	1.50	GFA99	4P	6.0	16766	162.96	96	1.00			
27	2480	52.49	30	1.65	GFAF99		6.8	14589	141.80	102	1.15	GFA159	6P	
32	2102	44.49	29	1.95	GF99		7.8	12875	125.14	105	1.30	GFAF159		
37	1836	38.86	28	2.20	GFF99		8.9	11162	108.49	109	1.50	GF159		
44	1536	32.50	27	2.60			10	9931	96.53	111	1.70	GFF159		
33	2045	43.28	29	1.40	GFA99		11	8827	85.80	112	1.90			
39	1731	36.64	28	1.65	GFAF99	4P	12	8072	78.46	113	2.10			
42	1602	33.91	28	2.50	GF99		5.5	18280	267.43	91	0.90			
47	1436	30.39	27	2.80	GFF99		6.7	14875	217.62	101	1.15			
25	2682	56.75	17	1.05		4P	8.2	12181	178.20	107	1.40			
29	2380	50.36	17	1.15	GFA89		9.0	11139	162.96	109	1.50	GFA159	4P	
32	2140	45.28	17	1.25	GFAF89		10	9693	141.80	111	1.75	GFAF159		
37	1857	39.30	17	1.40	GF89		12	8554	125.14	112	1.92	GF159		
41	1663	35.19	17	1.50	GFF89		13	7416	108.49	114	2.30	GFF159		
49	1380	29.20	17	1.70			15	6598	96.53	114	2.60			
50	1360	28.78	17	1.70			17	5865	85.80	112	2.90			
54	1252	26.50	17	2.30	GFA89	19	5363	78.46	110	3.10				
61	1119	23.68	16	2.50	GFAF89	21	4667	68.28	106	3.60				
68	1007	21.32	16	2.80	GF89		7.7	12884	125.23	83	0.85	GFA129	6P	
75	912	19.31	16	3.10	GFF89	8.5	11750	114.21	85	0.95	GFAF129			
84	809	17.12	15	3.50		9.8	10169	98.84	86	1.10	GF129			
93	731	15.48	15	3.90		11	8973	87.21	86	1.25	GFF129			
						13	7749	75.32	86	1.45				
43	1594	33.74	14	0.90	GFA79	4P	8.6	11664	170.64	85	0.95			
48	1413	29.91	15	1.00	GFAF79		9.5	10492	153.50	86	1.05	GFA129	4P	
56	1207	25.54	17	1.15	GF79		12	8560	125.23	86	1.30	GFAF129		
					GFF79	13	7807	114.21	86	1.45	GF129			
56	1205	25.50	16	1.15		15	6756	98.84	86	1.65	GFF129			
67	1013	21.43	17	1.40		17	5961	87.21	86	1.90				
73	931	19.70	17	1.50		19	5148	75.32	84	2.20				
82	826	17.49	18	1.70			12	8062	117.94	45	0.90	GFA109	4P	
92	739	15.64	18	1.90		14	6930	101.38	48	1.05	GFAF109			
102	664	14.06	18	2.10	GFA79	16	6321	92.47	50	1.15	GF109			
118	577	12.21	17	2.50	GFAF79	4P						GFF109		
132	516	10.93	17	2.70	GF79		17	5741	83.99	51	1.25			
155	439	9.30	16	2.30	GFF79		20	5094	74.52	53	1.40	GFA109	4P	
174	390	8.26	15	2.60			22	4622	67.62	54	1.55	GFAF109		
195	349	7.39	15	2.90			25	3973	58.12	54	1.80	GF109		
217	314	6.64	15	3.20			29	3468	50.73	52	2.10	GFF109		
250	272	5.76	14	3.70			34	2941	43.03	51	2.50			
279	244	5.16	14	4.20				43	2310	33.79	48	3.00	GFA109	4P
336	202	4.28	13	4.70			53	1885	27.57	46	3.90	GFAF109		
							58	1718	25.14	45	4.30	GF109		
11kW							11kW							
4.8	19611	302	88	0.90		4P						GFF109		
5.3	17728	273	94	1.00	GFA159R99		22	4475	65.47	23	0.90	GFA99	4P	
6.3	15065	232	102	1.15	GFAF159R99		25	3969	58.06	26	1.00	GFAF99		
7.2	13117	202	106	1.35	GF159R99		28	3588	52.49	26	1.10	GF99		
7.4	12793	197	106	1.40	GFF159R99							GFF99		
6.5	14481	223	80	0.80	GFA129R89	4P	33	3041	44.49	26	1.30	GFA99	4P	
7.4	12857	198	84	0.95	GFAF129R89		38	2656	38.86	25	1.50	GFAF99		
8.8	10779	166	86	1.10	GF129R89		45	2222	32.50	25	1.80	GF99		
					GFF129R89						GFF99			
5.1	19385	141.80	87	0.85	GFA159	8P	43	2318	33.91	25	1.75	GFA99	4P	
5.8	17108	125.14	95	1.00	GFAF159		48	2077	30.39	25	1.95	GFAF99		
6.7	14832	108.49	101	1.15	GF159		53	1876	27.44	24	2.20	GF99		
					GFF159		59	1703	24.92	24	2.40	GFF99		
7.6	13197	96.53	105	1.30			66	1511	22.11	23	2.70			

**选型参数表
(恒功率)**
**Selection Table
(Constant Power)**

n_a [r/min]	M_a [N.m]	i	F_{Ra} [kN]	f_B	机型号 Type size	极数 Pole	n_a [r/min]	M_a [N.m]	i	F_{Ra} [kN]	f_B	机型号 Type size	极数 Pole		
11kW							15kW								
37	2686	39.30	14	0.95	GFA89	4P	16	8619	92.47	44	0.85	GFA109 GFAF109 GF109 GFF109	4P		
41	2405	35.19	14	1.00	GFAF89		16	8248	88.49	45	0.90				
50	1996	29.20	14	1.20	GF89		17	7829	83.99	46	0.95				
					GFF89		20	6946	74.52	48	1.05				
55	1811	26.50	14	1.55			22	6303	67.62	50	1.15				
62	1619	23.68	14	1.75	GFA89 GFAF89 GF89 GFF89	4P	25	5417	58.12	50	1.35	GFA109 GFAF109 GF109 GFF109	4P		
68	1457	21.32	14	1.95			29	4729	50.73	49	1.55				
76	1320	19.31	14	2.10			34	4011	43.03	48	1.80				
85	1170	17.12	14	2.40			39	3506	37.61	47	2.10				
94	1058	15.48	14	2.70			46	2964	31.80	46	2.50				
111	897	13.12	14	3.10					43	3150	33.79			46	2.20
74	1347	19.70	15	1.05	GFA79 GFAF79 GF79 GFF79	4P	53	2570	27.57	44	2.90	GFA109 GFAF109 GF109 GFF109	4P		
83	1196	17.49	16	1.20			58	2343	25.14	44	3.20				
93	1069	15.64	17	1.30			67	2028	21.76	42	3.70				
104	961	14.06	17	1.45					33	4147	44.49	22	1.00	GFA99 GFAF99 GF99 GFF99	4P
120	835	12.21	16	1.70			38	3622	38.86	22	1.15				
134	747	10.93	16	1.90			45	3029	32.50	22	1.35				
157	636	9.30	15	1.60					43	3161	33.91	22	1.30	GFA99 GFAF99 GF99 GFF99	4P
177	565	8.26	14	1.80			48	2833	30.39	22	1.45				
198	505	7.39	14	2.00			53	2558	27.44	22	1.60				
220	454	6.64	14	2.20			59	2323	24.92	22	1.75				
253	394	5.76	13	2.60			66	2061	22.11	21	2.00				
283	353	5.16	13	2.90			73	1871	20.07	21	2.20				
341	293	4.28	13	3.20			85	1608	17.25	21	2.50				
							97	1404	15.06	20	2.90				
					114	1190	12.77	20	3.40						
					131	1040	11.16	19	3.70						
15kW							18.5kW								
6.3	20544	232	86	0.85	GFA159R99 GFAF159R99 GF159R99 GFF159R99	4P	55	2470	26.50	12	1.15	GFA89 GFAF89 GF89 GFF89	4P		
7.2	17887	202	95	1.00			62	2207	23.68	12	1.30				
7.4	17444	197	96	1.05			68	1987	21.32	12	1.45				
6.8	19894	141.80	86	0.85	GFA159 GFAF159 GF159 GFF159	6P	76	1800	19.31	12	1.60				
7.8	17557	125.14	94	0.95			85	1596	17.12	12	1.80				
8.9	15221	108.49	100	1.10			94	1443	15.48	12	2.00				
10	13543	96.53	104	1.25			111	1223	13.12	12	2.30				
11	12037	85.80	107	1.40			127	1068	11.46	12	2.70				
6.7	20284	217.62	84	0.85	GFA159 GFAF159 GF159 GFF159	4P	152	893	9.58	12	3.10				
8.2	16610	178.20	97	1.05			176	773	8.29	11	1.90				
9.0	15190	162.96	100	1.15			199	685	7.35	11	2.10				
10	13217	141.80	105	1.30			220	620	6.65	11	2.30				
12	11664	125.14	108	1.45			259	525	5.63	10	2.80				
13	10112	108.49	11	1.70			297	459	4.92	10	3.20				
15	8998	96.53	110	1.90			354	384	4.12	10	3.60				
17	7997	85.80	108	2.10											
19	7313	78.46	106	2.30											
21	6364	68.28	10	2.70											
24	5616	60.25	100	3.00											
9.8	13867	98.84	81	0.80	GFA129 GFAF129 GF129 GFF129	6P	7.3	21911	202	73	0.80	GFA159R99 GFAF159R99 GF159R99 GFF159R99	4P		
11	12235	87.21	84	0.95			7.5	21368	197	82	0.85				
13	10567	75.32	84	1.10					8.2	20346	178.20	84	0.85	GFA159 GFAF159 GF159 GFF159	4P
14	9819	69.99	83	1.15			9.0	18606	162.96	90	0.90				
15	8955	63.83	82	1.25			10	16190	141.80	98	1.05				
12	11673	125.23	85	1.00	12	14288	125.14	103	1.20						
13	10646	114.21	84	1.05	14	12387	108.49	106	1.40						
15	9213	98.84	83	1.25	15	11022	96.53	106	1.55						
17	8129	87.21	81	1.40	17	9796	85.80	104	1.75						
19	7021	75.32	80	1.60	19	8958	78.46	102	1.90						
21	6524	69.99	79	1.75	22	7796	68.28	100	2.20						
					24	6879	60.25	97	2.50						
					28	5965	52.24	94	3.00						

**选型参数表
(恒功率)**
**Selection Table
(Constant Power)**

n_a [r/min]	M_a [N.m]	i	F_{Ra} [kN]	f_B	机型号 Type size	极数 Pole	n_a [r/min]	M_a [N.m]	i	F_{Ra} [kN]	f_B	机型号 Type size	极数 Pole	
18.5kW							22kW							
13	13040	114.21	78	0.85			24	8181	60.25	95	2.10			
15	11285	98.84	78	1.00			28	7093	52.24	92	2.40			
17	9957	87.21	77	1.15	GFA129	4P	32	6311	46.48	90	2.70	GFA159	4P	
20	8600	75.32	76	1.30	GFAF129		37	5439	40.06	87	3.10	GF159		
21	7991	69.99	75	1.40	GF129		45	4420	32.55	83	3.90	GFF159		
23	7288	63.83	74	1.55	GFF129		15	13420	98.84	73	0.85			
27	6308	55.25	73	1.80				17	11841	87.21	72	0.95		
30	5566	48.75	71	2.00			20	10227	75.32	72	1.10	GFA129	4P	
20	8509	74.52	44	0.85	GFA109	21	9503	69.99	72	1.20	GFAF129			
22	7721	67.62	46	0.95	GFAF109	23	8667	63.83	71	1.30	GF129			
25	6636	58.12	46	1.10	GF109	27	7502	55.25	70	1.50	GFF129			
29	5792	50.73	46	1.25	GFF109	30	6619	48.75	69	1.70				
34	4913	43.03	45	1.50	GFA109	35	5716	42.10	67	2.00				
39	4294	37.61	45	1.70	GFAF109	25	7891	58.12	43	0.90	GFA109	4P		
46	3631	31.80	44	2.00	GF109	29	6888	50.73	43	1.05	GFAF109			
					GFF109	34	5843	43.03	43	1.25	GF109			
44	3858	33.79	44	1.80	GFA109									
53	3148	27.57	43	2.40	GFAF109									
58	2870	25.14	42	2.60	GF109	39	5107	37.61	43	1.40	GFA109	4P		
68	2485	21.76	41	3.00	GFF109	46	4318	31.80	42	1.70	GFAF109			
					GFA99									
38	4437	38.86	19	0.90	GFAF99									
45	3711	32.50	20	1.10	GF99									
					GFF99	44	4588	33.79	42	1.55	GFA109	4P		
54	3133	27.44	20	1.30		53	3743	27.57	41	2.00	GFAF109			
59	2845	24.92	20	1.45		58	3413	25.14	41	2.20	GF109			
66	2524	22.11	20	1.60	GFA99	68	2955	21.76	40	2.50	GFF109			
73	2292	20.07	20	1.80	GFAF99	77	2607	19.20	39	2.80	GFA109			
85	1970	17.25	19	2.10	GF99	54	3726	27.44	18	1.10				
98	1720	15.06	19	2.40	GFF99	59	3384	24.92	18	1.20				
115	1458	12.77	19	2.80		66	3002	22.11	18	1.35	GFA99	4P		
132	1274	11.16	18	3.00		73	2725	20.07	18	1.50	GFAF99			
69	2434	21.32	10	1.15		85	2342	17.25	18	1.75	GF99			
76	2205	19.31	11	1.30		98	2045	15.06	18	2.00	GFF99			
86	1955	17.12	11	1.45		115	1734	12.77	18	2.30				
95	1767	15.48	11	1.60		132	1515	11.16	17	2.60				
112	1498	13.12	11	1.90	GFA89	69	2895	21.32	8.5	1.00				
128	1308	11.46	11	2.20	GFAF89	76	2622	19.31	9.0	1.10				
153	1094	9.58	11	2.50	GF89	86	2325	17.12	9.4	1.20				
177	947	8.29	10	1.55	GFF89	95	2102	15.48	10	1.35				
200	839	7.35	10	1.75		112	1781	13.12	10	1.60	GFA89	4P		
221	759	6.65	10	1.90		128	1556	11.46	10	1.85	GFAF89			
261	643	5.63	10	2.20		153	1301	9.58	10	2.10	GF89			
299	562	4.92	10	2.60		177	1126	8.29	10	1.30	GFF89			
357	470	4.12	9.4	2.90		200	998	7.35	10	1.45				
						221	903	6.65	10	1.60				
						261	764	5.63	9.4	1.90				
						299	668	4.92	9.3	2.20				
						357	559	4.12	9.0	2.50				
22kW							30kW							
10	19863	96.53	86	0.85	GFA159	6P	14	20087	108.49	85	0.85			
11	17655	85.80	94	0.95	GFAF159		15	17873	96.53	92	0.95			
12	16145	78.46	98	1.05	GF159		17	15886	85.80	92	1.10			
14	14050	68.28	102	1.20	GFF159	19	14527	78.46	91	1.20	GFA159	4P		
10	19253	141.80	88	0.90		22	12642	68.28	90	1.35	GFAF159			
12	16991	125.14	95	1.00	GFA159	24	11155	60.25	89	1.55	GF159			
14	14731	108.49	101	1.15	GFAF159	28	9672	52.24	87	1.75	GFF159			
15	13107	96.53	102	1.30	GF159	32	8606	46.48	85	2.00				
17	11650	85.80	100	1.45	GFF159	37	7417	40.06	83	2.30				
19	10653	78.46	99	1.60										
22	9271	68.28	97	1.85										

**选型参数表
(恒功率)**
**Selection Table
(Constant Power)**

n_a [r/min]	M_a [N.m]	i	F_{Ra} [kN]	f_B	机型号 Type size	极数 Pole	n_a [r/min]	M_a [N.m]	i	F_{Ra} [kN]	f_B	机型号 Type size	极数 Pole																																																																																																																																																																																																																																																																																																																																																																																																																																																																																																																																																																																																																																																																																																																																						
30kW							37kW																																																																																																																																																																																																																																																																																																																																																																																																																																																																																																																																																																																																																																																																																																																																												
20	13946	75.32	63	0.80	GFA129 GFAF129 GF129 GFF129	4P	91	3706	16.34	49	2.80	GFA129 GFAF129 GF129 GFF129	4P																																																																																																																																																																																																																																																																																																																																																																																																																																																																																																																																																																																																																																																																																																																																						
21	12959	69.99	63	0.90			23	11818	63.83	64	0.95			27	10230	55.25	63	1.10	30	9026	48.75	63	1.25	35	7795	42.10	62	1.45	39	6895	37.24	61	1.65	47	5793	31.29	60	1.95	58	4681	25.28	58	2.40	55	4970	26.84	59	1.60	GFA129 GFAF129 GF129 GFF129	4P	54	6253	27.57	34	1.20	GFA109 GFAF109 GF109 GFF109	4P	60	4544	24.54	58	1.80	69	3953	21.35	56	2.90	78	3488	18.84	55	3.00	34	7967	43.03	37	0.90	GFA109 GFAF109 GF109 GFF109	4P	59	5702	25.14	34	1.30	39	6964	37.61	38	1.05	46	5888	31.80	38	1.25	53	5105	27.57	38	1.45	58	4655	25.14	37	1.60	GFA109 GFAF109 GF109 GFF109	4P	68	4935	21.76	34	1.50	68	4029	21.76	37	1.85	77	3555	19.20	36	2.10	89	3070	16.58	36	2.40	100	2716	14.67	35	2.70	119	2283	12.33	34	2.90	148	1844	9.96	33	3.30	66	4094	22.11	14	1.00	45kW							73	3716	20.07	15	1.10	22	18835	68.28	77	0.90	GFA159 GFAF159 GF159 GFF159	4P	85	3194	17.25	15	1.30	98	2788	15.06	15	1.45	115	2364	12.77	16	1.75	25	16620	60.25	78	1.00	132	2066	11.16	16	1.90	28	14411	52.24	77	1.20	162	1677	9.06	15	1.35	32	12822	46.48	77	1.30	179	1522	8.22	15	1.45	37	11051	40.06	76	1.55	208	1307	7.06	14	1.70	45	8979	32.55	74	1.90	238	1142	6.17	14	1.85	54	7614	27.60	72	2.20	281	968	5.23	14	2.10	30	13448	48.75	52	0.85	GFA129 GFAF129 GF129 GFF129	4P	322	846	4.57	14	2.30	35	11613	42.10	53	0.95	40	10273	37.24	53	1.10	47	8631	31.29	53	1.30	59	6974	25.28	53	1.60	55	7404	26.84	53	1.10	60	6769	24.54	53	1.20	69	5889	21.35	52	1.90	79	5197	18.84	51	2.00	91	4507	16.34	50	2.30	79	5197	18.84	51	2.00	102	4011	14.54	49	2.60	91	4507	16.34	50	2.30	118	3456	12.53	48	2.70	102	4011	14.54	49	2.60	145	2808	10.18	46	3.20	118	3456	12.53	48	2.70	167	2447	8.87	44	2.70	145	2808	10.18	46	3.20	188	2176	7.89	43	2.60	167	2447	8.87	44	2.70	218	1876	6.80	42	3.50	188	2176	7.89	43	2.60	268	1525	5.53	40	3.70	218	1876	6.80	42	3.50	54	7605	27.57	31	0.95	268	1525	5.53	40	3.70	59	6935	25.14	31	1.05	54	7605	27.57	31	0.95	68	6003	21.76	32	1.25	59	6935	25.14	31	1.05	77	5296	19.20	32	1.40	68	6003	21.76	32	1.25	89	4574	16.58	32	1.60	77	5296	19.20	32	1.40	101	4047	14.67	31	1.80	89	4574	16.58	32	1.60	120	3401	12.33	31	1.95	101	4047	14.67	31	1.80	149	2747	9.96	30	2.20	120	3401	12.33	31	1.95	153	2673	9.69	29	1.75	149	2747	9.96	30	2.20	177	2309	8.37	29	1.95	153	2673	9.69	29	1.75	200	2041	7.40	28	2.10	177	2309	8.37	29	1.95	238	1716	6.22	28	2.50	200	2041	7.40	28	2.10						238	1716	6.22	28	2.50	37kW							45kW							17	19461	85.80	84	0.85	GFA159 GFAF159 GF159 GFF159	4P	54	7605	27.57	31	0.95	GFA109 GFAF109 GF109 GFF109	4P	19	17796	78.46	84	0.95	22	15487	68.28	84	1.10	25	13665	60.25	83	1.25	28	11849	52.24	82	1.45	32	10542	46.48	81	1.60	37	9086	40.06	80	1.85	45	7383	32.55	77	2.30	54	6260	27.60	75	2.70	27	12531	55.25	58	0.90	59	6935	25.14	31	1.05	30	11057	48.75	58	1.00	68	6003	21.76	32	1.25	35	9549	42.10	57	1.20	77	5296	19.20	32	1.40	40	8446	37.24	56	1.35	89	4574	16.58	32	1.60	47	7097	31.29	56	1.60	101	4047	14.67	31	1.80	59	5734	25.28	55	1.95	120	3401	12.33	31	1.95	55	6088	26.84	54	1.30	149	2747	9.96	30	2.20	60	5566	24.54	53	1.45	153	2673	9.69	29	1.75	69	4842	21.35	52	2.30	177	2309	8.37	29	1.95	79	4273	18.84	51	2.40	200	2041	7.40	28	2.10						238	1716	6.22	28	2.50																																											
23	11818	63.83	64	0.95			27	10230	55.25	63	1.10			30	9026	48.75	63	1.25	35	7795	42.10	62	1.45	39	6895	37.24	61	1.65	47	5793	31.29	60	1.95	58	4681	25.28	58	2.40	55	4970	26.84	59	1.60	GFA129 GFAF129 GF129 GFF129	4P	54	6253	27.57			34	1.20	GFA109 GFAF109 GF109 GFF109	4P	60			4544	24.54	58	1.80	69	3953	21.35	56	2.90	78	3488	18.84	55	3.00	34	7967	43.03	37	0.90	GFA109 GFAF109 GF109 GFF109			4P	59	5702	25.14	34	1.30	39	6964	37.61	38	1.05	46	5888	31.80	38	1.25	53	5105	27.57	38	1.45	58	4655	25.14	37			1.60	GFA109 GFAF109 GF109 GFF109	4P	68	4935	21.76	34	1.50	68	4029	21.76	37	1.85	77	3555	19.20	36	2.10	89	3070	16.58	36	2.40	100	2716	14.67	35	2.70	119	2283	12.33	34	2.90	148	1844	9.96	33	3.30	66	4094	22.11	14	1.00	45kW							73	3716	20.07	15	1.10	22	18835			68.28	77	0.90	GFA159 GFAF159 GF159 GFF159	4P	85	3194	17.25	15	1.30	98	2788	15.06	15	1.45	115	2364	12.77	16	1.75	25	16620	60.25	78	1.00	132	2066	11.16	16	1.90	28	14411	52.24	77	1.20	162	1677	9.06	15	1.35	32	12822	46.48	77	1.30	179	1522	8.22	15	1.45	37	11051	40.06	76	1.55	208	1307	7.06	14	1.70	45	8979	32.55	74	1.90	238	1142	6.17	14	1.85	54	7614	27.60	72	2.20	281	968	5.23	14	2.10			30	13448	48.75	52	0.85	GFA129 GFAF129 GF129 GFF129	4P	322	846	4.57	14	2.30	35	11613	42.10	53	0.95	40	10273	37.24	53	1.10	47	8631	31.29	53	1.30	59	6974	25.28	53	1.60	55	7404	26.84	53	1.10	60	6769	24.54	53	1.20	69	5889	21.35	52	1.90	79	5197	18.84	51	2.00	91	4507	16.34	50	2.30	79	5197	18.84	51	2.00	102	4011	14.54	49	2.60	91	4507	16.34	50	2.30	118	3456	12.53	48	2.70	102	4011	14.54	49	2.60	145	2808	10.18	46	3.20	118	3456	12.53	48	2.70	167	2447	8.87	44	2.70	145	2808	10.18	46	3.20	188	2176	7.89	43	2.60	167	2447	8.87	44	2.70	218	1876	6.80	42	3.50	188	2176	7.89	43	2.60	268	1525	5.53	40	3.70	218	1876	6.80	42	3.50	54	7605	27.57	31	0.95	268	1525	5.53	40	3.70	59	6935	25.14	31	1.05	54	7605	27.57	31	0.95	68	6003	21.76	32	1.25	59	6935	25.14	31	1.05	77	5296	19.20	32	1.40	68	6003	21.76	32	1.25	89	4574	16.58	32	1.60	77	5296	19.20	32	1.40	101	4047	14.67	31	1.80	89	4574	16.58	32	1.60	120	3401	12.33	31	1.95	101	4047	14.67	31	1.80	149	2747	9.96	30	2.20	120	3401	12.33	31	1.95	153	2673	9.69	29	1.75	149	2747	9.96	30	2.20	177	2309	8.37	29	1.95	153	2673	9.69	29	1.75	200	2041	7.40	28	2.10	177	2309	8.37	29	1.95	238	1716	6.22	28	2.50	200	2041	7.40	28	2.10						238	1716	6.22	28	2.50	37kW							45kW							17	19461	85.80	84	0.85			GFA159 GFAF159 GF159 GFF159	4P	54	7605	27.57	31	0.95	GFA109 GFAF109 GF109 GFF109	4P	19	17796	78.46	84	0.95	22	15487	68.28	84	1.10	25	13665	60.25	83	1.25	28	11849	52.24	82	1.45	32	10542	46.48	81	1.60	37	9086	40.06	80	1.85	45	7383	32.55	77	2.30	54	6260	27.60	75	2.70	27	12531	55.25	58	0.90	59	6935	25.14	31	1.05	30	11057	48.75	58	1.00	68	6003	21.76	32	1.25	35	9549	42.10	57	1.20	77	5296	19.20	32	1.40	40	8446	37.24	56	1.35	89	4574	16.58	32	1.60	47	7097	31.29	56	1.60	101	4047	14.67	31	1.80	59	5734	25.28	55	1.95	120	3401	12.33	31	1.95	55	6088	26.84	54	1.30	149	2747	9.96	30	2.20	60	5566	24.54	53	1.45	153	2673	9.69	29	1.75	69	4842	21.35	52	2.30	177	2309	8.37	29	1.95	79	4273	18.84	51	2.40	200	2041	7.40	28	2.10						238	1716	6.22	28	2.50																																		
27	10230	55.25	63	1.10			30	9026	48.75	63	1.25			35	7795	42.10	62	1.45	39	6895	37.24	61	1.65	47	5793	31.29	60	1.95	58	4681	25.28	58	2.40	55	4970	26.84	59	1.60	GFA129 GFAF129 GF129 GFF129	4P	54	6253	27.57			34	1.20	GFA109 GFAF109 GF109 GFF109			4P	60			4544			24.54	58	1.80	69	3953	21.35	56	2.90	78	3488	18.84	55	3.00	34	7967	43.03	37	0.90	GFA109 GFAF109 GF109 GFF109					4P	59	5702	25.14	34	1.30	39	6964	37.61	38	1.05	46	5888	31.80	38	1.25	53	5105	27.57	38	1.45	58	4655	25.14			37			1.60	GFA109 GFAF109 GF109 GFF109	4P	68	4935	21.76	34	1.50	68	4029	21.76	37	1.85	77	3555	19.20	36	2.10	89	3070	16.58	36	2.40	100	2716	14.67	35	2.70	119	2283	12.33	34	2.90	148	1844	9.96	33	3.30	66	4094	22.11	14	1.00	45kW							73	3716	20.07	15			1.10	22	18835			68.28	77	0.90	GFA159 GFAF159 GF159 GFF159	4P	85	3194	17.25	15	1.30	98	2788	15.06	15	1.45	115	2364	12.77	16	1.75	25	16620	60.25	78	1.00	132	2066	11.16	16	1.90	28	14411	52.24	77	1.20	162	1677	9.06	15	1.35	32	12822	46.48	77	1.30	179	1522	8.22	15	1.45	37	11051	40.06	76	1.55	208	1307	7.06	14	1.70	45	8979	32.55	74	1.90	238	1142	6.17	14	1.85	54	7614	27.60	72	2.20			281	968	5.23	14	2.10			30	13448	48.75	52	0.85	GFA129 GFAF129 GF129 GFF129	4P	322	846	4.57	14	2.30	35	11613	42.10	53	0.95	40	10273	37.24	53	1.10	47	8631	31.29	53	1.30	59	6974	25.28	53	1.60	55	7404	26.84	53	1.10	60	6769	24.54	53	1.20	69	5889	21.35	52	1.90	79	5197	18.84	51	2.00	91	4507	16.34	50	2.30	79	5197	18.84	51	2.00	102	4011	14.54	49	2.60	91	4507	16.34	50	2.30	118	3456	12.53	48	2.70	102	4011	14.54	49	2.60	145	2808	10.18	46	3.20	118	3456	12.53	48	2.70	167	2447	8.87	44	2.70	145	2808	10.18	46	3.20	188	2176	7.89	43	2.60	167	2447	8.87	44	2.70	218	1876	6.80	42	3.50	188	2176	7.89	43	2.60	268	1525	5.53	40	3.70	218	1876	6.80	42	3.50	54	7605	27.57	31	0.95	268	1525	5.53	40	3.70	59	6935	25.14	31	1.05	54	7605	27.57	31	0.95	68	6003	21.76	32	1.25	59	6935	25.14	31	1.05	77	5296	19.20	32	1.40	68	6003	21.76	32	1.25	89	4574	16.58	32	1.60	77	5296	19.20	32	1.40	101	4047	14.67	31	1.80	89	4574	16.58	32	1.60	120	3401	12.33	31	1.95	101	4047	14.67	31	1.80	149	2747	9.96	30	2.20	120	3401	12.33	31	1.95	153	2673	9.69	29	1.75	149	2747	9.96	30	2.20	177	2309	8.37	29	1.95	153	2673	9.69	29	1.75	200	2041	7.40	28	2.10	177	2309	8.37	29	1.95	238	1716	6.22	28	2.50	200	2041	7.40	28	2.10						238	1716	6.22	28	2.50	37kW							45kW									17	19461	85.80	84	0.85			GFA159 GFAF159 GF159 GFF159	4P	54	7605	27.57	31	0.95	GFA109 GFAF109 GF109 GFF109	4P	19	17796	78.46	84	0.95	22	15487	68.28	84	1.10	25	13665	60.25	83	1.25	28	11849	52.24	82	1.45	32	10542	46.48	81	1.60	37	9086	40.06	80	1.85	45	7383	32.55	77	2.30	54	6260	27.60	75	2.70	27	12531	55.25	58	0.90	59	6935	25.14	31	1.05	30	11057	48.75	58	1.00	68	6003	21.76	32	1.25	35	9549	42.10	57	1.20	77	5296	19.20	32	1.40	40	8446	37.24	56	1.35	89	4574	16.58	32	1.60	47	7097	31.29	56	1.60	101	4047	14.67	31	1.80	59	5734	25.28	55	1.95	120	3401	12.33	31	1.95	55	6088	26.84	54	1.30	149	2747	9.96	30	2.20	60	5566	24.54	53	1.45	153	2673	9.69	29	1.75	69	4842	21.35	52	2.30	177	2309	8.37	29	1.95	79	4273	18.84	51	2.40	200	2041	7.40	28	2.10						238	1716	6.22	28	2.50																									
30	9026	48.75	63	1.25			35	7795	42.10	62	1.45			39	6895	37.24	61	1.65	47	5793	31.29	60	1.95	58	4681	25.28	58	2.40	55	4970	26.84	59	1.60	GFA129 GFAF129 GF129 GFF129	4P	54	6253	27.57			34	1.20	GFA109 GFAF109 GF109 GFF109			4P	60					4544			24.54			58	1.80	69	3953	21.35	56	2.90	78	3488	18.84	55	3.00	34	7967	43.03	37	0.90	GFA109 GFAF109 GF109 GFF109							4P	59	5702	25.14	34	1.30	39	6964	37.61	38	1.05	46	5888	31.80	38	1.25	53	5105	27.57	38	1.45	58	4655			25.14			37			1.60	GFA109 GFAF109 GF109 GFF109	4P	68	4935	21.76	34	1.50	68	4029	21.76	37	1.85	77	3555	19.20	36	2.10	89	3070	16.58	36	2.40	100	2716	14.67	35	2.70	119	2283	12.33	34	2.90	148	1844	9.96	33	3.30	66	4094	22.11	14	1.00	45kW							73			3716	20.07	15			1.10	22	18835			68.28	77	0.90	GFA159 GFAF159 GF159 GFF159	4P	85	3194	17.25	15	1.30	98	2788	15.06	15	1.45	115	2364	12.77	16	1.75	25	16620	60.25	78	1.00	132	2066	11.16	16	1.90	28	14411	52.24	77	1.20	162	1677	9.06	15	1.35	32	12822	46.48	77	1.30	179	1522	8.22	15	1.45	37	11051	40.06	76	1.55	208	1307	7.06	14	1.70	45	8979	32.55	74	1.90	238	1142	6.17	14	1.85			54	7614	27.60	72	2.20			281	968	5.23	14	2.10			30	13448	48.75	52	0.85	GFA129 GFAF129 GF129 GFF129	4P	322	846	4.57	14	2.30	35	11613	42.10	53	0.95	40	10273	37.24	53	1.10	47	8631	31.29	53	1.30	59	6974	25.28	53	1.60	55	7404	26.84	53	1.10	60	6769	24.54	53	1.20	69	5889	21.35	52	1.90	79	5197	18.84	51	2.00	91	4507	16.34	50	2.30	79	5197	18.84	51	2.00	102	4011	14.54	49	2.60	91	4507	16.34	50	2.30	118	3456	12.53	48	2.70	102	4011	14.54	49	2.60	145	2808	10.18	46	3.20	118	3456	12.53	48	2.70	167	2447	8.87	44	2.70	145	2808	10.18	46	3.20	188	2176	7.89	43	2.60	167	2447	8.87	44	2.70	218	1876	6.80	42	3.50	188	2176	7.89	43	2.60	268	1525	5.53	40	3.70	218	1876	6.80	42	3.50	54	7605	27.57	31	0.95	268	1525	5.53	40	3.70	59	6935	25.14	31	1.05	54	7605	27.57	31	0.95	68	6003	21.76	32	1.25	59	6935	25.14	31	1.05	77	5296	19.20	32	1.40	68	6003	21.76	32	1.25	89	4574	16.58	32	1.60	77	5296	19.20	32	1.40	101	4047	14.67	31	1.80	89	4574	16.58	32	1.60	120	3401	12.33	31	1.95	101	4047	14.67	31	1.80	149	2747	9.96	30	2.20	120	3401	12.33	31	1.95	153	2673	9.69	29	1.75	149	2747	9.96	30	2.20	177	2309	8.37	29	1.95	153	2673	9.69	29	1.75	200	2041	7.40	28	2.10	177	2309	8.37	29	1.95	238	1716	6.22	28	2.50	200	2041	7.40	28	2.10						238	1716	6.22			28	2.50	37kW							45kW									17	19461	85.80	84	0.85			GFA159 GFAF159 GF159 GFF159	4P	54	7605	27.57	31	0.95	GFA109 GFAF109 GF109 GFF109	4P	19	17796	78.46	84	0.95	22	15487	68.28	84	1.10	25	13665	60.25	83	1.25	28	11849	52.24	82	1.45	32	10542	46.48	81	1.60	37	9086	40.06	80	1.85	45	7383	32.55	77	2.30	54	6260	27.60	75	2.70	27	12531	55.25	58	0.90	59	6935	25.14	31	1.05	30	11057	48.75	58	1.00	68	6003	21.76	32	1.25	35	9549	42.10	57	1.20	77	5296	19.20	32	1.40	40	8446	37.24	56	1.35	89	4574	16.58	32	1.60	47	7097	31.29	56	1.60	101	4047	14.67	31	1.80	59	5734	25.28	55	1.95	120	3401	12.33	31	1.95	55	6088	26.84	54	1.30	149	2747	9.96	30	2.20	60	5566	24.54	53	1.45	153	2673	9.69	29	1.75	69	4842	21.35	52	2.30	177	2309	8.37	29	1.95	79	4273	18.84	51	2.40	200	2041	7.40	28	2.10						238	1716	6.22	28	2.50																
35	7795	42.10	62	1.45			39	6895	37.24	61	1.65			47	5793	31.29	60	1.95	58	4681	25.28	58	2.40	55	4970	26.84	59	1.60	GFA129 GFAF129 GF129 GFF129	4P	54	6253	27.57			34	1.20	GFA109 GFAF109 GF109 GFF109			4P	60					4544		24.54	58		1.80			69			3953	21.35	56	2.90	78	3488	18.84	55	3.00	34	7967	43.03	37	0.90	GFA109 GFAF109 GF109 GFF109	4P	59				5702	25.14				34	1.30	39	6964	37.61	38	1.05	46	5888	31.80	38	1.25	53	5105	27.57	38	1.45	58	4655	25.14	37	1.60			GFA109 GFAF109 GF109 GFF109			4P			68			4935	21.76	34	1.50	68	4029	21.76	37	1.85	77	3555	19.20	36	2.10	89	3070	16.58	36	2.40	100	2716	14.67	35	2.70	119	2283	12.33	34	2.90	148	1844	9.96	33	3.30	66	4094	22.11	14	1.00	45kW							73	3716			20.07	15	1.10			22	18835	68.28			77	0.90	GFA159 GFAF159 GF159 GFF159			4P	85	3194	17.25	15	1.30	98	2788	15.06	15	1.45	115	2364	12.77	16	1.75	25	16620	60.25	78	1.00	132	2066	11.16	16	1.90	28	14411	52.24	77	1.20	162	1677	9.06	15	1.35	32	12822	46.48	77	1.30	179	1522	8.22	15	1.45	37	11051	40.06	76	1.55	208	1307	7.06	14	1.70	45	8979	32.55	74	1.90	238	1142	6.17	14			1.85	54	7614	27.60	72			2.20	281	968	5.23	14			2.10	30	13448	48.75	52			0.85	GFA129 GFAF129 GF129 GFF129	4P	322	846	4.57	14	2.30	35	11613	42.10	53	0.95	40	10273	37.24	53	1.10	47	8631	31.29	53	1.30	59	6974	25.28	53	1.60	55	7404	26.84	53	1.10	60	6769	24.54	53	1.20	69	5889	21.35	52	1.90	79	5197	18.84	51	2.00	91	4507	16.34	50	2.30	79	5197	18.84	51	2.00	102	4011	14.54	49	2.60	91	4507	16.34	50	2.30	118	3456	12.53	48	2.70	102	4011	14.54	49	2.60	145	2808	10.18	46	3.20	118	3456	12.53	48	2.70	167	2447	8.87	44	2.70	145	2808	10.18	46	3.20	188	2176	7.89	43	2.60	167	2447	8.87	44	2.70	218	1876	6.80	42	3.50	188	2176	7.89	43	2.60	268	1525	5.53	40	3.70	218	1876	6.80	42	3.50	54	7605	27.57	31	0.95	268	1525	5.53	40	3.70	59	6935	25.14	31	1.05	54	7605	27.57	31	0.95	68	6003	21.76	32	1.25	59	6935	25.14	31	1.05	77	5296	19.20	32	1.40	68	6003	21.76	32	1.25	89	4574	16.58	32	1.60	77	5296	19.20	32	1.40	101	4047	14.67	31	1.80	89	4574	16.58	32	1.60	120	3401	12.33	31	1.95	101	4047	14.67	31	1.80	149	2747	9.96	30	2.20	120	3401	12.33	31	1.95	153	2673	9.69	29	1.75	149	2747	9.96	30	2.20	177	2309	8.37	29	1.95	153	2673	9.69	29	1.75	200	2041	7.40	28	2.10	177	2309	8.37	29	1.95	238	1716	6.22	28	2.50	200	2041	7.40	28	2.10								238	1716	6.22	28	2.50					37kW									45kW									17	19461	85.80	84	0.85			GFA159 GFAF159 GF159 GFF159	4P	54	7605	27.57	31	0.95	GFA109 GFAF109 GF109 GFF109	4P	19	17796	78.46	84	0.95	22	15487	68.28	84	1.10	25	13665	60.25	83	1.25	28	11849	52.24	82	1.45	32	10542	46.48	81	1.60	37	9086	40.06	80	1.85	45	7383	32.55	77	2.30	54	6260	27.60	75	2.70	27	12531	55.25	58	0.90	59	6935	25.14	31	1.05	30	11057	48.75	58	1.00	68	6003	21.76	32	1.25	35	9549	42.10	57	1.20	77	5296	19.20	32	1.40	40	8446	37.24	56	1.35	89	4574	16.58	32	1.60	47	7097	31.29	56	1.60	101	4047	14.67	31	1.80	59	5734	25.28	55	1.95	120	3401	12.33	31	1.95	55	6088	26.84	54	1.30	149	2747	9.96	30	2.20	60	5566	24.54	53	1.45	153	2673	9.69	29	1.75	69	4842	21.35	52	2.30	177	2309	8.37	29	1.95	79	4273	18.84	51	2.40	200	2041	7.40	28	2.10						238	1716	6.22	28	2.50							
39	6895	37.24	61	1.65			47	5793	31.29	60	1.95			58	4681	25.28	58	2.40	55	4970	26.84	59	1.60	GFA129 GFAF129 GF129 GFF129	4P	54	6253	27.57			34	1.20	GFA109 GFAF109 GF109 GFF109			4P	60					4544		24.54	58		1.80		69	3953		21.35			56			2.90	78	3488	18.84	55	3.00	34	7967	43.03	37	0.90	GFA109 GFAF109 GF109 GFF109	4P	59			5702			25.14	34	1.30	39			6964	37.61	38	1.05	46	5888	31.80	38	1.25	53	5105	27.57	38	1.45	58	4655	25.14	37	1.60	GFA109 GFAF109 GF109 GFF109	4P	68									4935			21.76	34	1.50	68	4029	21.76	37	1.85	77	3555	19.20	36	2.10	89	3070	16.58	36	2.40	100	2716	14.67	35	2.70	119	2283	12.33	34	2.90	148	1844	9.96	33	3.30	66	4094	22.11	14	1.00	45kW							73	3716	20.07			15	1.10	22			18835	68.28	77			0.90	GFA159 GFAF159 GF159 GFF159					4P	85	3194	17.25	15	1.30	98	2788	15.06	15	1.45	115	2364	12.77	16	1.75	25	16620	60.25	78	1.00	132	2066	11.16	16	1.90	28	14411	52.24	77	1.20	162	1677	9.06	15	1.35	32	12822	46.48	77	1.30	179	1522	8.22	15	1.45	37	11051	40.06	76	1.55	208	1307	7.06	14	1.70	45	8979	32.55	74	1.90	238	1142	6.17			14	1.85	54	7614	27.60			72	2.20	281	968	5.23			14	2.10	30	13448	48.75			52			0.85	GFA129 GFAF129 GF129 GFF129	4P	322	846	4.57	14	2.30	35	11613	42.10	53	0.95	40	10273	37.24	53	1.10	47	8631	31.29	53	1.30	59	6974	25.28	53	1.60	55	7404	26.84	53	1.10	60	6769	24.54	53	1.20	69	5889	21.35	52	1.90	79	5197	18.84	51	2.00	91	4507	16.34	50	2.30	79	5197	18.84	51	2.00	102	4011	14.54	49	2.60	91	4507	16.34	50	2.30	118	3456	12.53	48	2.70	102	4011	14.54	49	2.60	145	2808	10.18	46	3.20	118	3456	12.53	48	2.70	167	2447	8.87	44	2.70	145	2808	10.18	46	3.20	188	2176	7.89	43	2.60	167	2447	8.87	44	2.70	218	1876	6.80	42	3.50	188	2176	7.89	43	2.60	268	1525	5.53	40	3.70	218	1876	6.80	42	3.50	54	7605	27.57	31	0.95	268	1525	5.53	40	3.70	59	6935	25.14	31	1.05	54	7605	27.57	31	0.95	68	6003	21.76	32	1.25	59	6935	25.14	31	1.05	77	5296	19.20	32	1.40	68	6003	21.76	32	1.25	89	4574	16.58	32	1.60	77	5296	19.20	32	1.40	101	4047	14.67	31	1.80	89	4574	16.58	32	1.60	120	3401	12.33	31	1.95	101	4047	14.67	31	1.80	149	2747	9.96	30	2.20	120	3401	12.33	31	1.95	153	2673	9.69	29	1.75	149	2747	9.96	30	2.20	177	2309	8.37	29	1.95	153	2673	9.69	29	1.75	200	2041	7.40	28	2.10	177	2309	8.37	29	1.95	238	1716	6.22	28	2.50	200	2041	7.40	28	2.10								238	1716					6.22	28	2.50	37kW							45kW								17	19461	85.80	84	0.85					GFA159 GFAF159 GF159 GFF159	4P	54	7605	27.57			31	0.95	GFA109 GFAF109 GF109 GFF109	4P	19	17796	78.46	84	0.95	22	15487	68.28	84	1.10	25	13665	60.25	83	1.25	28	11849	52.24	82	1.45	32	10542	46.48	81	1.60	37	9086	40.06	80	1.85	45	7383	32.55	77	2.30	54	6260	27.60	75	2.70	27	12531	55.25	58	0.90	59	6935	25.14	31	1.05	30	11057	48.75	58	1.00	68	6003	21.76	32	1.25	35	9549	42.10	57	1.20	77	5296	19.20	32	1.40	40	8446	37.24	56	1.35	89	4574	16.58	32	1.60	47	7097	31.29	56	1.60	101	4047	14.67	31	1.80	59	5734	25.28	55	1.95	120	3401	12.33	31	1.95	55	6088	26.84	54	1.30	149	2747	9.96	30	2.20	60	5566	24.54	53	1.45	153	2673	9.69	29	1.75	69	4842	21.35	52	2.30	177	2309	8.37	29	1.95	79	4273	18.84	51	2.40	200	2041	7.40	28	2.10						238	1716	6.22	28	2.50			
47	5793	31.29	60	1.95																																																																																																																																																																																																																																																																																																																																																																																																																																																																																																																																																																																																																																																																																																																																															
58	4681	25.28	58	2.40	55	4970	26.84	59	1.60	GFA129 GFAF129 GF129 GFF129	4P	54	6253	27.57	34	1.20	GFA109 GFAF109 GF109 GFF109	4P	60	4544	24.54	58	1.80			69	3953	21.35			56	2.90		78	3488		18.84		55	3.00		34		7967	43.03		37		0.90	GFA109 GFAF109 GF109 GFF109		4P			59			5702	25.14	34	1.30	39	6964	37.61	38	1.05	46	5888			31.80			38	1.25	53	5105	27.57	38	1.45	58	4655	25.14	37	1.60	GFA109 GFAF109 GF109 GFF109	4P	68	4935	21.76	34	1.50	68	4029	21.76	37	1.85	77	3555	19.20	36			2.10									89			3070	16.58	36	2.40	100	2716	14.67	35	2.70	119	2283	12.33	34	2.90	148	1844	9.96	33	3.30	66	4094	22.11	14	1.00	45kW							73	3716	20.07	15	1.10	22	18835	68.28	77	0.90	GFA159 GFAF159 GF159 GFF159	4P	85	3194	17.25	15	1.30			98	2788	15.06			15	1.45	115			2364							12.77	16	1.75	25	16620	60.25	78	1.00	132	2066	11.16	16	1.90	28	14411	52.24	77	1.20	162	1677	9.06	15	1.35	32	12822	46.48	77	1.30	179	1522	8.22	15	1.45	37	11051	40.06	76	1.55	208	1307	7.06	14	1.70	45	8979	32.55	74	1.90	238	1142	6.17	14	1.85	54	7614	27.60	72	2.20	281	968	5.23	14	2.10			30	13448	48.75	52	0.85			GFA129 GFAF129 GF129 GFF129	4P	322	846	4.57			14	2.30	35	11613	42.10			53			0.95			40	10273	37.24	53	1.10	47	8631	31.29	53	1.30	59	6974	25.28	53	1.60	55	7404	26.84	53	1.10	60	6769	24.54	53	1.20	69	5889	21.35	52	1.90	79	5197	18.84	51	2.00	91	4507	16.34	50	2.30	79	5197	18.84	51	2.00	102	4011	14.54	49	2.60	91	4507	16.34	50	2.30	118	3456	12.53	48	2.70	102	4011	14.54	49	2.60	145	2808	10.18	46	3.20	118	3456	12.53	48	2.70	167	2447	8.87	44	2.70	145	2808	10.18	46	3.20	188	2176	7.89	43	2.60	167	2447	8.87	44	2.70	218	1876	6.80	42	3.50	188	2176	7.89	43	2.60	268	1525	5.53	40	3.70	218	1876	6.80	42	3.50	54	7605	27.57	31	0.95	268	1525	5.53	40	3.70	59	6935	25.14	31	1.05	54	7605	27.57	31	0.95	68	6003	21.76	32	1.25	59	6935	25.14	31	1.05	77	5296	19.20	32	1.40	68	6003	21.76	32	1.25	89	4574	16.58	32	1.60	77	5296	19.20	32	1.40	101	4047	14.67	31	1.80	89	4574	16.58	32	1.60	120	3401	12.33	31	1.95	101	4047	14.67	31	1.80	149	2747	9.96	30	2.20	120	3401	12.33	31	1.95	153	2673	9.69	29	1.75	149	2747	9.96	30	2.20	177	2309	8.37	29	1.95	153	2673	9.69	29	1.75	200	2041	7.40	28	2.10	177	2309	8.37	29	1.95	238	1716	6.22	28	2.50	200	2041	7.40	28	2.10						238	1716	6.22	28	2.50	37kW							45kW							17	19461	85.80	84					0.85	GFA159 GFAF159 GF159 GFF159	4P	54	7605					27.57	31	0.95	GFA109 GFAF109 GF109 GFF109	4P							19	17796	78.46			84	0.95			22	15487	68.28	84	1.10	25	13665	60.25	83	1.25	28	11849	52.24	82	1.45	32	10542	46.48	81	1.60	37	9086	40.06	80	1.85	45	7383	32.55	77	2.30	54	6260	27.60	75	2.70	27	12531	55.25	58	0.90	59	6935	25.14	31	1.05	30	11057	48.75	58	1.00	68	6003	21.76	32	1.25	35	9549	42.10	57	1.20	77	5296	19.20	32	1.40	40	8446	37.24	56	1.35	89	4574	16.58	32	1.60	47	7097	31.29	56	1.60	101	4047	14.67	31	1.80	59	5734	25.28	55	1.95	120	3401	12.33	31	1.95	55	6088	26.84	54	1.30	149	2747	9.96	30	2.20	60	5566	24.54	53	1.45	153	2673	9.69	29	1.75	69	4842	21.35	52	2.30	177	2309	8.37	29	1.95	79	4273	18.84	51	2.40	200	2041	7.40	28	2.10						238	1716	6.22	28	2.50								
55	4970	26.84	59	1.60	GFA129 GFAF129 GF129 GFF129	4P	54	6253	27.57			34	1.20	GFA109 GFAF109 GF109 GFF109	4P																																																																																																																																																																																																																																																																																																																																																																																																																																																																																																																																																																																																																																																																																																																																				
60	4544	24.54	58	1.80			69	3953	21.35			56	2.90			78			3488	18.84	55	3.00	34	7967	43.03	37	0.90	GFA109 GFAF109 GF109 GFF109	4P	59	5702	25.14		34	1.30		39		6964	37.61		38		1.05	46		5888		31.80						38			1.25	53	5105	27.57	38	1.45	58	4655	25.14	37	1.60	GFA109 GFAF109 GF109 GFF109	4P	68	4935	21.76	34	1.50	68	4029	21.76	37	1.85	77	3555	19.20	36	2.10			89	3070	16.58	36	2.40	100	2716	14.67	35	2.70	119	2283	12.33	34			2.90	148	1844		9.96	33				3.30			66	4094	22.11	14	1.00	45kW							73	3716	20.07	15	1.10	22	18835	68.28	77	0.90	GFA159 GFAF159 GF159 GFF159	4P	85	3194	17.25	15	1.30	98	2788	15.06	15	1.45	115	2364	12.77	16	1.75	25	16620			60.25	78	1.00	132	2066	11.16	16	1.90	28	14411	52.24	77	1.20	162	1677			9.06							15	1.35	32	12822	46.48	77	1.30	179	1522	8.22	15	1.45	37	11051	40.06	76	1.55	208	1307	7.06	14	1.70	45	8979	32.55	74	1.90	238	1142	6.17	14	1.85	54	7614	27.60	72	2.20	281	968	5.23	14	2.10	30	13448	48.75	52	0.85	GFA129 GFAF129 GF129 GFF129	4P	322	846	4.57	14	2.30	35	11613	42.10	53	0.95	40	10273	37.24	53	1.10	47	8631	31.29	53	1.30	59	6974	25.28			53	1.60	55			7404	26.84	53	1.10	60			6769			24.54			53	1.20	69	5889	21.35	52	1.90	79	5197	18.84	51	2.00	91	4507	16.34	50	2.30	79	5197	18.84	51	2.00	102	4011	14.54	49	2.60	91	4507	16.34	50	2.30	118	3456	12.53	48	2.70	102	4011	14.54	49	2.60	145	2808	10.18	46	3.20	118	3456	12.53	48	2.70	167	2447	8.87	44	2.70	145	2808	10.18	46	3.20	188	2176	7.89	43	2.60	167	2447	8.87	44	2.70	218	1876	6.80	42	3.50	188	2176	7.89	43	2.60	268	1525	5.53	40	3.70	218	1876	6.80	42	3.50	54	7605	27.57	31	0.95	268	1525	5.53	40	3.70	59	6935	25.14	31	1.05	54	7605	27.57	31	0.95	68	6003	21.76	32	1.25	59	6935	25.14	31	1.05	77	5296	19.20	32	1.40	68	6003	21.76	32	1.25	89	4574	16.58	32	1.60	77	5296	19.20	32	1.40	101	4047	14.67	31	1.80	89	4574	16.58	32	1.60	120	3401	12.33	31	1.95	101	4047	14.67	31	1.80	149	2747	9.96	30	2.20	120	3401	12.33	31	1.95	153	2673	9.69	29	1.75	149	2747	9.96	30	2.20	177	2309	8.37	29	1.95	153	2673	9.69	29	1.75	200	2041	7.40	28	2.10	177	2309	8.37	29	1.95	238	1716	6.22	28	2.50	200	2041	7.40	28	2.10						238	1716	6.22	28	2.50	37kW							45kW							17	19461	85.80	84	0.85	GFA159 GFAF159 GF159 GFF159	4P	54	7605	27.57	31	0.95	GFA109 GFAF109 GF109 GFF109	4P	19	17796	78.46	84			0.95	22	15487	68.28	84	1.10	25					13665			60.25	83					1.25	28	11849									52.24	82	1.45			32	10542			46.48	81	1.60	37	9086	40.06	80	1.85	45	7383	32.55	77	2.30	54	6260	27.60	75	2.70	27	12531	55.25	58	0.90	59	6935	25.14	31	1.05	30	11057	48.75	58	1.00	68	6003	21.76	32	1.25	35	9549	42.10	57	1.20	77	5296	19.20	32	1.40	40	8446	37.24	56	1.35	89	4574	16.58	32	1.60	47	7097	31.29	56	1.60	101	4047	14.67	31	1.80	59	5734	25.28	55	1.95	120	3401	12.33	31	1.95	55	6088	26.84	54	1.30	149	2747	9.96	30	2.20	60	5566	24.54	53	1.45	153	2673	9.69	29	1.75	69	4842	21.35	52	2.30	177	2309	8.37	29	1.95	79	4273	18.84	51	2.40	200	2041	7.40	28	2.10						238	1716	6.22	28	2.50																									
69	3953	21.35	56	2.90			78	3488	18.84			55	3.00			34			7967	43.03	37	0.90	GFA109 GFAF109 GF109 GFF109	4P	59	5702	25.14			34	1.30	39		6964	37.61		38		1.05	46		5888		31.80	38		1.25		53						5105			27.57	38	1.45	58	4655	25.14	37	1.60	GFA109 GFAF109 GF109 GFF109	4P	68			4935	21.76	34	1.50	68	4029	21.76	37	1.85	77	3555	19.20	36	2.10	89			3070	16.58	36	2.40	100	2716	14.67	35	2.70	119	2283	12.33	34	2.90			148	1844	9.96		33	3.30		66	4094	22.11			14	1.00	45kW							73	3716	20.07	15	1.10	22	18835	68.28	77	0.90	GFA159 GFAF159 GF159 GFF159	4P	85			3194	17.25	15	1.30	98	2788	15.06	15	1.45	115	2364	12.77	16	1.75	25	16620	60.25			78	1.00	132	2066	11.16	16	1.90	28	14411	52.24	77	1.20	162	1677	9.06	15	1.35	32							12822	46.48	77	1.30	179	1522	8.22	15	1.45	37	11051	40.06	76	1.55	208	1307	7.06	14	1.70	45	8979	32.55	74	1.90	238	1142	6.17	14	1.85	54	7614	27.60	72	2.20	281	968	5.23	14	2.10	30	13448	48.75	52	0.85	GFA129 GFAF129 GF129 GFF129	4P	322			846	4.57	14	2.30	35	11613	42.10	53	0.95	40	10273	37.24	53	1.10	47	8631	31.29	53	1.30	59	6974	25.28	53			1.60	55	7404	26.84	53	1.10	60	6769	24.54	53			1.20			69			5889	21.35	52	1.90	79	5197	18.84	51	2.00	91	4507	16.34	50	2.30	79	5197	18.84	51	2.00	102	4011	14.54	49	2.60	91	4507	16.34	50	2.30	118	3456	12.53	48	2.70	102	4011	14.54	49	2.60	145	2808	10.18	46	3.20	118	3456	12.53	48	2.70	167	2447	8.87	44	2.70	145	2808	10.18	46	3.20	188	2176	7.89	43	2.60	167	2447	8.87	44	2.70	218	1876	6.80	42	3.50	188	2176	7.89	43	2.60	268	1525	5.53	40	3.70	218	1876	6.80	42	3.50	54	7605	27.57	31	0.95	268	1525	5.53	40	3.70	59	6935	25.14	31	1.05	54	7605	27.57	31	0.95	68	6003	21.76	32	1.25	59	6935	25.14	31	1.05	77	5296	19.20	32	1.40	68	6003	21.76	32	1.25	89	4574	16.58	32	1.60	77	5296	19.20	32	1.40	101	4047	14.67	31	1.80	89	4574	16.58	32	1.60	120	3401	12.33	31	1.95	101	4047	14.67	31	1.80	149	2747	9.96	30	2.20	120	3401	12.33	31	1.95	153	2673	9.69	29	1.75	149	2747	9.96	30	2.20	177	2309	8.37	29	1.95	153	2673	9.69	29	1.75	200	2041	7.40	28	2.10	177	2309	8.37	29	1.95	238	1716	6.22	28	2.50	200	2041	7.40	28	2.10						238	1716	6.22	28	2.50	37kW							45kW							17	19461	85.80	84	0.85	GFA159 GFAF159 GF159 GFF159	4P	54			7605	27.57	31	0.95	GFA109 GFAF109 GF109 GFF109			4P	19	17796	78.46			84	0.95	22	15487	68.28	84	1.10			25	13665	60.25			83	1.25					28	11849	52.24									82	1.45	32			10542	46.48			81	1.60	37	9086	40.06	80	1.85	45	7383	32.55	77	2.30	54	6260	27.60	75	2.70	27	12531	55.25	58	0.90	59	6935	25.14	31	1.05	30	11057	48.75	58	1.00	68	6003	21.76	32	1.25	35	9549	42.10	57	1.20	77	5296	19.20	32	1.40	40	8446	37.24	56	1.35	89	4574	16.58	32	1.60	47	7097	31.29	56	1.60	101	4047	14.67	31	1.80	59	5734	25.28	55	1.95	120	3401	12.33	31	1.95	55	6088	26.84	54	1.30	149	2747	9.96	30	2.20	60	5566	24.54	53	1.45	153	2673	9.69	29	1.75	69	4842	21.35	52	2.30	177	2309	8.37	29	1.95	79	4273	18.84	51	2.40	200	2041	7.40	28	2.10						238	1716	6.22	28	2.50																										
78	3488	18.84	55	3.00			34	7967	43.03	37	0.90	GFA109 GFAF109 GF109 GFF109	4P			59			5702	25.14	34	1.30			39	6964	37.61			38	1.05	46		5888	31.80		38		1.25	53		5105		27.57	38		1.45		58	4655		25.14			37			1.60	GFA109 GFAF109 GF109 GFF109	4P	68	4935	21.76	34	1.50			68			4029	21.76	37	1.85	77	3555	19.20	36	2.10	89	3070	16.58	36	2.40	100			2716	14.67	35	2.70	119	2283	12.33	34	2.90	148	1844	9.96	33	3.30			66	4094	22.11		14	1.00		45kW							73	3716	20.07	15	1.10	22	18835	68.28	77	0.90	GFA159 GFAF159 GF159 GFF159	4P	85	3194	17.25	15	1.30			98			2788	15.06	15	1.45	115	2364	12.77	16	1.75	25	16620	60.25	78	1.00	132	2066	11.16			16	1.90	28	14411	52.24	77	1.20	162	1677	9.06	15	1.35	32	12822	46.48	77	1.30	179			1522	8.22			15	1.45	37	11051	40.06	76	1.55	208	1307	7.06	14	1.70	45	8979	32.55	74	1.90	238	1142	6.17	14	1.85	54	7614	27.60	72	2.20	281	968	5.23	14	2.10	30	13448	48.75	52	0.85	GFA129 GFAF129 GF129 GFF129	4P	322	846	4.57	14	2.30			35			11613	42.10	53	0.95	40	10273	37.24	53	1.10	47	8631	31.29	53	1.30	59	6974	25.28	53	1.60	55	7404	26.84	53			1.10	60	6769	24.54	53	1.20	69	5889	21.35	52	1.90	79	5197			18.84			51	2.00	91	4507	16.34	50	2.30	79	5197	18.84	51	2.00	102	4011	14.54	49	2.60	91	4507	16.34	50	2.30	118	3456	12.53	48	2.70	102	4011	14.54	49	2.60	145	2808	10.18	46	3.20	118	3456	12.53	48	2.70	167	2447	8.87	44	2.70	145	2808	10.18	46	3.20	188	2176	7.89	43	2.60	167	2447	8.87	44	2.70	218	1876	6.80	42	3.50	188	2176	7.89	43	2.60	268	1525	5.53	40	3.70	218	1876	6.80	42	3.50	54	7605	27.57	31	0.95	268	1525	5.53	40	3.70	59	6935	25.14	31	1.05	54	7605	27.57	31	0.95	68	6003	21.76	32	1.25	59	6935	25.14	31	1.05	77	5296	19.20	32	1.40	68	6003	21.76	32	1.25	89	4574	16.58	32	1.60	77	5296	19.20	32	1.40	101	4047	14.67	31	1.80	89	4574	16.58	32	1.60	120	3401	12.33	31	1.95	101	4047	14.67	31	1.80	149	2747	9.96	30	2.20	120	3401	12.33	31	1.95	153	2673	9.69	29	1.75	149	2747	9.96	30	2.20	177	2309	8.37	29	1.95	153	2673	9.69	29	1.75	200	2041	7.40	28	2.10	177	2309	8.37	29	1.95	238	1716	6.22	28	2.50	200	2041	7.40	28	2.10						238	1716	6.22	28	2.50	37kW							45kW							17	19461	85.80	84	0.85	GFA159 GFAF159 GF159 GFF159	4P	54	7605	27.57	31	0.95			GFA109 GFAF109 GF109 GFF109			4P	19	17796	78.46					84	0.95	22			15487	68.28	84	1.10	25	13665	60.25			83	1.25	28			11849	52.24			82	1.45	32	10542	46.48									81	1.60	37			9086	40.06			80	1.85	45	7383	32.55	77	2.30	54	6260	27.60	75	2.70	27	12531	55.25	58	0.90	59	6935	25.14	31	1.05	30	11057	48.75	58	1.00	68	6003	21.76	32	1.25	35	9549	42.10	57	1.20	77	5296	19.20	32	1.40	40	8446	37.24	56	1.35	89	4574	16.58	32	1.60	47	7097	31.29	56	1.60	101	4047	14.67	31	1.80	59	5734	25.28	55	1.95	120	3401	12.33	31	1.95	55	6088	26.84	54	1.30	149	2747	9.96	30	2.20	60	5566	24.54	53	1.45	153	2673	9.69	29	1.75	69	4842	21.35	52	2.30	177	2309	8.37	29	1.95	79	4273	18.84	51	2.40	200	2041	7.40	28	2.10						238	1716	6.22	28	2.50																															
34	7967	43.03	37	0.90	GFA109 GFAF109 GF109 GFF109	4P	59	5702	25.14	34	1.30					39			6964	37.61	38	1.05			46	5888	31.80			38	1.25	53		5105	27.57		38		1.45	58		4655		25.14	37		1.60		GFA109 GFAF109 GF109 GFF109	4P		68			4935			21.76			34	1.50	68	4029	21.76			37			1.85	77	3555	19.20	36	2.10	89	3070	16.58	36	2.40	100	2716	14.67	35			2.70	119	2283	12.33	34	2.90	148	1844	9.96	33	3.30	66	4094	22.11			14	1.00	45kW							73	3716	20.07	15	1.10	22	18835	68.28	77	0.90	GFA159 GFAF159 GF159 GFF159	4P	85	3194	17.25			15	1.30	98	2788	15.06			15			1.45	115	2364	12.77	16	1.75	25	16620	60.25	78	1.00	132	2066	11.16	16	1.90	28			14411	52.24	77	1.20	162	1677	9.06	15	1.35	32	12822	46.48	77	1.30	179	1522	8.22	15		1.45	37	11051	40.06		76	1.55	208	1307	7.06	14	1.70	45	8979	32.55	74	1.90	238	1142	6.17	14	1.85	54	7614	27.60	72	2.20	281	968	5.23	14	2.10	30	13448	48.75	52	0.85	GFA129 GFAF129 GF129 GFF129	4P	322	846	4.57			14	2.30	35	11613	42.10			53			0.95	40	10273	37.24	53	1.10	47	8631	31.29	53	1.30	59	6974	25.28	53	1.60	55	7404	26.84	53	1.10	60	6769			24.54	53	1.20	69	5889	21.35	52	1.90	79	5197	18.84	51	2.00	91	4507	16.34			50	2.30	79	5197	18.84	51	2.00	102	4011	14.54	49	2.60	91	4507	16.34	50	2.30	118	3456	12.53	48	2.70	102	4011	14.54	49	2.60	145	2808	10.18	46	3.20	118	3456	12.53	48	2.70	167	2447	8.87	44	2.70	145	2808	10.18	46	3.20	188	2176	7.89	43	2.60	167	2447	8.87	44	2.70	218	1876	6.80	42	3.50	188	2176	7.89	43	2.60	268	1525	5.53	40	3.70	218	1876	6.80	42	3.50	54	7605	27.57	31	0.95	268	1525	5.53	40	3.70	59	6935	25.14	31	1.05	54	7605	27.57	31	0.95	68	6003	21.76	32	1.25	59	6935	25.14	31	1.05	77	5296	19.20	32	1.40	68	6003	21.76	32	1.25	89	4574	16.58	32	1.60	77	5296	19.20	32	1.40	101	4047	14.67	31	1.80	89	4574	16.58	32	1.60	120	3401	12.33	31	1.95	101	4047	14.67	31	1.80	149	2747	9.96	30	2.20	120	3401	12.33	31	1.95	153	2673	9.69	29	1.75	149	2747	9.96	30	2.20	177	2309	8.37	29	1.95	153	2673	9.69	29	1.75	200	2041	7.40	28	2.10	177	2309	8.37	29	1.95	238	1716	6.22	28	2.50	200	2041	7.40	28	2.10						238	1716	6.22	28	2.50	37kW							45kW							17	19461	85.80	84	0.85	GFA159 GFAF159 GF159 GFF159	4P	54	7605	27.57			31	0.95	GFA109 GFAF109 GF109 GFF109	4P	19							17796	78.46	84					0.95	22	15487			68.28	84	1.10	25	13665	60.25	83			1.25	28	11849			52.24	82			1.45	32	10542	46.48	81					1.60	37			9086	40.06	80			1.85	45			7383	32.55	77	2.30	54	6260	27.60	75	2.70	27	12531	55.25	58	0.90	59	6935	25.14	31	1.05	30	11057	48.75	58	1.00	68	6003	21.76	32	1.25	35	9549	42.10	57	1.20	77	5296	19.20	32	1.40	40	8446	37.24	56	1.35	89	4574	16.58	32	1.60	47	7097	31.29	56	1.60	101	4047	14.67	31	1.80	59	5734	25.28	55	1.95	120	3401	12.33	31	1.95	55	6088	26.84	54	1.30	149	2747	9.96	30	2.20	60	5566	24.54	53	1.45	153	2673	9.69	29	1.75	69	4842	21.35	52	2.30	177	2309	8.37	29	1.95	79	4273	18.84	51	2.40	200	2041	7.40	28	2.10						238	1716	6.22	28	2.50																																		
39	6964	37.61	38	1.05			46	5888	31.80	38	1.25					53			5105	27.57	38	1.45			58	4655	25.14	37	1.60	GFA109 GFAF109 GF109 GFF109	4P	68		4935	21.76		34		1.50	68		4029		21.76	37		1.85					77			3555			19.20			36	2.10	89	3070	16.58			36			2.40	100	2716	14.67	35	2.70	119	2283	12.33	34	2.90	148	1844	9.96	33			3.30	66	4094	22.11	14	1.00	45kW							73	3716	20.07	15	1.10	22	18835	68.28	77	0.90	GFA159 GFAF159 GF159 GFF159	4P	85	3194	17.25	15	1.30	98	2788	15.06	15	1.45			115	2364	12.77			16	1.75	25	16620	60.25			78			1.00	132	2066	11.16	16	1.90	28	14411	52.24	77	1.20	162	1677	9.06	15	1.35	32			12822	46.48	77	1.30	179	1522	8.22	15	1.45	37	11051	40.06	76	1.55	208	1307	7.06	14	1.70	45	8979	32.55	74	1.90	238	1142	6.17	14	1.85	54	7614	27.60	72	2.20	281	968	5.23	14	2.10	30	13448	48.75	52	0.85	GFA129 GFAF129 GF129 GFF129	4P	322	846	4.57	14	2.30	35	11613	42.10	53	0.95			40	10273	37.24			53	1.10	47	8631	31.29			53			1.30	59	6974	25.28	53	1.60	55	7404	26.84	53	1.10	60	6769	24.54	53	1.20	69	5889	21.35	52	1.90	79	5197			18.84	51	2.00	91	4507	16.34	50	2.30	79	5197	18.84	51	2.00	102	4011	14.54	49	2.60	91	4507	16.34	50	2.30	118	3456	12.53	48	2.70	102	4011	14.54	49	2.60	145	2808	10.18	46	3.20	118	3456	12.53	48	2.70	167	2447	8.87	44	2.70	145	2808	10.18	46	3.20	188	2176	7.89	43	2.60	167	2447	8.87	44	2.70	218	1876	6.80	42	3.50	188	2176	7.89	43	2.60	268	1525	5.53	40	3.70	218	1876	6.80	42	3.50	54	7605	27.57	31	0.95	268	1525	5.53	40	3.70	59	6935	25.14	31	1.05	54	7605	27.57	31	0.95	68	6003	21.76	32	1.25	59	6935	25.14	31	1.05	77	5296	19.20	32	1.40	68	6003	21.76	32	1.25	89	4574	16.58	32	1.60	77	5296	19.20	32	1.40	101	4047	14.67	31	1.80	89	4574	16.58	32	1.60	120	3401	12.33	31	1.95	101	4047	14.67	31	1.80	149	2747	9.96	30	2.20	120	3401	12.33	31	1.95	153	2673	9.69	29	1.75	149	2747	9.96	30	2.20	177	2309	8.37	29	1.95	153	2673	9.69	29	1.75	200	2041	7.40	28	2.10	177	2309	8.37	29	1.95	238	1716	6.22	28	2.50	200	2041	7.40	28	2.10						238	1716	6.22	28	2.50	37kW							45kW							17	19461	85.80	84	0.85	GFA159 GFAF159 GF159 GFF159	4P	54	7605	27.57	31	0.95	GFA109 GFAF109 GF109 GFF109	4P	19	17796	78.46			84	0.95	22			15487	68.28			84							1.10	25	13665					60.25	83	1.25			28	11849	52.24	82	1.45	32	10542			46.48	81	1.60			37	9086			40.06	80	1.85	45	7383					32.55	77	2.30	54	6260	27.60	75			2.70	27			12531	55.25	58	0.90	59	6935	25.14	31	1.05	30	11057	48.75	58	1.00	68	6003	21.76	32	1.25	35	9549	42.10	57	1.20	77	5296	19.20	32	1.40	40	8446	37.24	56	1.35	89	4574	16.58	32	1.60	47	7097	31.29	56	1.60	101	4047	14.67	31	1.80	59	5734	25.28	55	1.95	120	3401	12.33	31	1.95	55	6088	26.84	54	1.30	149	2747	9.96	30	2.20	60	5566	24.54	53	1.45	153	2673	9.69	29	1.75	69	4842	21.35	52	2.30	177	2309	8.37	29	1.95	79	4273	18.84	51	2.40	200	2041	7.40	28	2.10						238	1716	6.22	28	2.50																																												
46	5888	31.80	38	1.25			53	5105	27.57	38	1.45					58			4655	25.14	37	1.60	GFA109 GFAF109 GF109 GFF109	4P	68	4935	21.76	34	1.50			68		4029	21.76		37		1.85	77		3555		19.20	36		2.10					89			3070			16.58			36	2.40	100	2716	14.67			35			2.70	119	2283	12.33	34	2.90	148	1844	9.96	33	3.30	66	4094	22.11	14			1.00	45kW							73	3716	20.07	15	1.10	22	18835	68.28	77	0.90	GFA159 GFAF159 GF159 GFF159	4P	85	3194	17.25			15	1.30	98	2788	15.06	15	1.45	115	2364	12.77			16	1.75	25			16620	60.25	78	1.00	132			2066			11.16	16	1.90	28	14411	52.24	77	1.20	162	1677	9.06	15	1.35	32	12822	46.48	77			1.30	179	1522	8.22	15	1.45	37	11051	40.06	76	1.55	208	1307	7.06	14	1.70	45	8979	32.55	74	1.90	238	1142	6.17	14	1.85	54	7614	27.60	72	2.20	281	968	5.23	14	2.10	30	13448	48.75	52	0.85	GFA129 GFAF129 GF129 GFF129	4P	322			846	4.57	14	2.30	35	11613	42.10	53	0.95	40			10273	37.24	53			1.10	47	8631	31.29	53			1.30			59	6974	25.28	53	1.60	55	7404	26.84	53	1.10	60	6769	24.54	53	1.20	69	5889	21.35	52	1.90	79	5197	18.84			51	2.00	91	4507	16.34	50	2.30	79	5197	18.84	51	2.00	102	4011	14.54	49	2.60	91	4507	16.34	50	2.30	118	3456	12.53	48	2.70	102	4011	14.54	49	2.60	145	2808	10.18	46	3.20	118	3456	12.53	48	2.70	167	2447	8.87	44	2.70	145	2808	10.18	46	3.20	188	2176	7.89	43	2.60	167	2447	8.87	44	2.70	218	1876	6.80	42	3.50	188	2176	7.89	43	2.60	268	1525	5.53	40	3.70	218	1876	6.80	42	3.50	54	7605	27.57	31	0.95	268	1525	5.53	40	3.70	59	6935	25.14	31	1.05	54	7605	27.57	31	0.95	68	6003	21.76	32	1.25	59	6935	25.14	31	1.05	77	5296	19.20	32	1.40	68	6003	21.76	32	1.25	89	4574	16.58	32	1.60	77	5296	19.20	32	1.40	101	4047	14.67	31	1.80	89	4574	16.58	32	1.60	120	3401	12.33	31	1.95	101	4047	14.67	31	1.80	149	2747	9.96	30	2.20	120	3401	12.33	31	1.95	153	2673	9.69	29	1.75	149	2747	9.96	30	2.20	177	2309	8.37	29	1.95	153	2673	9.69	29	1.75	200	2041	7.40	28	2.10	177	2309	8.37	29	1.95	238	1716	6.22	28	2.50	200	2041	7.40	28	2.10						238	1716	6.22	28	2.50	37kW							45kW							17	19461	85.80	84	0.85	GFA159 GFAF159 GF159 GFF159			4P	54	7605	27.57	31			0.95	GFA109 GFAF109 GF109 GFF109	4P			19	17796	78.46			84	0.95			22							15487	68.28	84					1.10	25	13665			60.25	83	1.25	28	11849	52.24	82			1.45	32	10542			46.48	81			1.60	37	9086	40.06	80					1.85	45	7383	32.55	77	2.30	54			6260	27.60			75	2.70	27	12531	55.25	58	0.90	59	6935	25.14	31	1.05	30	11057	48.75	58	1.00	68	6003	21.76	32	1.25	35	9549	42.10	57	1.20	77	5296	19.20	32	1.40	40	8446	37.24	56	1.35	89	4574	16.58	32	1.60	47	7097	31.29	56	1.60	101	4047	14.67	31	1.80	59	5734	25.28	55	1.95	120	3401	12.33	31	1.95	55	6088	26.84	54	1.30	149	2747	9.96	30	2.20	60	5566	24.54	53	1.45	153	2673	9.69	29	1.75	69	4842	21.35	52	2.30	177	2309	8.37	29	1.95	79	4273	18.84	51	2.40	200	2041	7.40	28	2.10						238	1716	6.22	28	2.50																																									
53	5105	27.57	38	1.45			58	4655	25.14	37	1.60	GFA109 GFAF109 GF109 GFF109	4P			68			4935	21.76	34	1.50			68	4029	21.76	37	1.85			77		3555	19.20		36		2.10	89		3070		16.58	36		2.40					100			2716			14.67			35	2.70	119	2283	12.33			34			2.90	148	1844	9.96	33	3.30	66	4094	22.11	14	1.00	45kW							73	3716	20.07	15	1.10	22	18835	68.28	77	0.90	GFA159 GFAF159 GF159 GFF159	4P	85	3194	17.25	15	1.30			98	2788	15.06			15	1.45	115	2364	12.77	16	1.75	25	16620	60.25			78	1.00	132			2066	11.16	16	1.90	28			14411			52.24	77	1.20	162	1677	9.06	15	1.35	32	12822	46.48	77	1.30	179	1522	8.22	15	1.45	37	11051	40.06	76	1.55	208	1307	7.06	14	1.70	45	8979	32.55	74	1.90	238	1142	6.17	14	1.85	54	7614	27.60	72	2.20	281	968	5.23	14	2.10	30	13448	48.75	52	0.85	GFA129 GFAF129 GF129 GFF129	4P	322	846	4.57	14	2.30			35			11613	42.10	53	0.95	40	10273	37.24	53	1.10	47			8631	31.29	53			1.30	59	6974	25.28	53			1.60			55	7404	26.84	53	1.10	60	6769	24.54	53	1.20	69	5889	21.35	52	1.90	79	5197	18.84	51	2.00	91	4507	16.34	50	2.30	79	5197	18.84	51	2.00	102	4011	14.54	49	2.60	91	4507	16.34	50	2.30	118	3456	12.53	48	2.70	102	4011	14.54	49	2.60	145	2808	10.18	46	3.20	118	3456	12.53	48	2.70	167	2447	8.87	44	2.70	145	2808	10.18	46	3.20	188	2176	7.89	43	2.60	167	2447	8.87	44	2.70	218	1876	6.80	42	3.50	188	2176	7.89	43	2.60	268	1525	5.53	40	3.70	218	1876	6.80	42	3.50	54	7605	27.57	31	0.95	268	1525	5.53	40	3.70	59	6935	25.14	31	1.05	54	7605	27.57	31	0.95	68	6003	21.76	32	1.25	59	6935	25.14	31	1.05	77	5296	19.20	32	1.40	68	6003	21.76	32	1.25	89	4574	16.58	32	1.60	77	5296	19.20	32	1.40	101	4047	14.67	31	1.80	89	4574	16.58	32	1.60	120	3401	12.33	31	1.95	101	4047	14.67	31	1.80	149	2747	9.96	30	2.20	120	3401	12.33	31	1.95	153	2673	9.69	29	1.75	149	2747	9.96	30	2.20	177	2309	8.37	29	1.95	153	2673	9.69	29	1.75	200	2041	7.40	28	2.10	177	2309	8.37	29	1.95	238	1716	6.22	28	2.50	200	2041	7.40	28	2.10						238	1716	6.22	28	2.50	37kW							45kW							17	19461	85.80	84	0.85	GFA159 GFAF159 GF159 GFF159	4P	54	7605	27.57	31	0.95					GFA109 GFAF109 GF109 GFF109	4P	19	17796			78.46					84	0.95	22			15487	68.28			84							1.10	25	13665					60.25	83	1.25			28	11849	52.24	82	1.45	32	10542			46.48	81	1.60	37	9086	40.06	80			1.85	45	7383	32.55	77					2.30	54	6260	27.60	75	2.70	27			12531	55.25			58	0.90	59	6935	25.14	31	1.05	30	11057	48.75	58	1.00	68	6003	21.76	32	1.25	35	9549	42.10	57	1.20	77	5296	19.20	32	1.40	40	8446	37.24	56	1.35	89	4574	16.58	32	1.60	47	7097	31.29	56	1.60	101	4047	14.67	31	1.80	59	5734	25.28	55	1.95	120	3401	12.33	31	1.95	55	6088	26.84	54	1.30	149	2747	9.96	30	2.20	60	5566	24.54	53	1.45	153	2673	9.69	29	1.75	69	4842	21.35	52	2.30	177	2309	8.37	29	1.95	79	4273	18.84	51	2.40	200	2041	7.40	28	2.10						238	1716	6.22	28	2.50																																														
58	4655	25.14	37	1.60	GFA109 GFAF109 GF109 GFF109	4P	68	4935	21.76	34	1.50					68			4029	21.76	37	1.85			77	3555	19.20	36	2.10			89		3070	16.58		36		2.40	100		2716		14.67	35		2.70					119			2283	12.33	34	2.90			148	1844	9.96	33	3.30			66			4094	22.11	14	1.00	45kW							73	3716	20.07	15	1.10	22	18835	68.28	77	0.90	GFA159 GFAF159 GF159 GFF159	4P	85	3194	17.25	15	1.30			98	2788	15.06	15	1.45			115	2364	12.77			16	1.75	25	16620	60.25	78	1.00	132	2066	11.16			16	1.90	28			14411	52.24	77	1.20	162			1677			9.06	15	1.35	32	12822	46.48	77	1.30	179	1522	8.22	15	1.45	37	11051	40.06	76	1.55	208	1307	7.06	14	1.70	45	8979	32.55	74	1.90	238	1142	6.17	14	1.85	54	7614	27.60	72	2.20	281	968	5.23	14	2.10	30	13448	48.75	52	0.85	GFA129 GFAF129 GF129 GFF129	4P	322	846	4.57			14	2.30	35	11613	42.10			53			0.95	40	10273	37.24	53	1.10	47	8631	31.29	53			1.30	59	6974			25.28	53	1.60	55	7404			26.84			53	1.10	60	6769	24.54	53	1.20	69	5889	21.35	52	1.90	79	5197	18.84	51	2.00	91	4507	16.34	50	2.30	79	5197	18.84	51	2.00	102	4011	14.54	49	2.60	91	4507	16.34	50	2.30	118	3456	12.53	48	2.70	102	4011	14.54	49	2.60	145	2808	10.18	46	3.20	118	3456	12.53	48	2.70	167	2447	8.87	44	2.70	145	2808	10.18	46	3.20	188	2176	7.89	43	2.60	167	2447	8.87	44	2.70	218	1876	6.80	42	3.50	188	2176	7.89	43	2.60	268	1525	5.53	40	3.70	218	1876	6.80	42	3.50	54	7605	27.57	31	0.95	268	1525	5.53	40	3.70	59	6935	25.14	31	1.05	54	7605	27.57	31	0.95	68	6003	21.76	32	1.25	59	6935	25.14	31	1.05	77	5296	19.20	32	1.40	68	6003	21.76	32	1.25	89	4574	16.58	32	1.60	77	5296	19.20	32	1.40	101	4047	14.67	31	1.80	89	4574	16.58	32	1.60	120	3401	12.33	31	1.95	101	4047	14.67	31	1.80	149	2747	9.96	30	2.20	120	3401	12.33	31	1.95	153	2673	9.69	29	1.75	149	2747	9.96	30	2.20	177	2309	8.37	29	1.95	153	2673	9.69	29	1.75	200	2041	7.40	28	2.10	177	2309	8.37	29	1.95	238	1716	6.22	28	2.50	200	2041	7.40	28	2.10						238	1716	6.22	28	2.50	37kW							45kW							17	19461	85.80	84	0.85	GFA159 GFAF159 GF159 GFF159	4P	54			7605	27.57	31	0.95	GFA109 GFAF109 GF109 GFF109							4P	19			17796					78.46	84	0.95			22	15487			68.28							84	1.10	25					13665	60.25	83	1.25	28	11849	52.24	82	1.45	32	10542	46.48			81	1.60	37	9086	40.06	80	1.85			45	7383	32.55	77	2.30					54	6260	27.60	75	2.70	27	12531			55.25	58			0.90	59	6935	25.14	31	1.05	30	11057	48.75	58	1.00	68	6003	21.76	32	1.25	35	9549	42.10	57	1.20	77	5296	19.20	32	1.40	40	8446	37.24	56	1.35	89	4574	16.58	32	1.60	47	7097	31.29	56	1.60	101	4047	14.67	31	1.80	59	5734	25.28	55	1.95	120	3401	12.33	31	1.95	55	6088	26.84	54	1.30	149	2747	9.96	30	2.20	60	5566	24.54	53	1.45	153	2673	9.69	29	1.75	69	4842	21.35	52	2.30	177	2309	8.37	29	1.95	79	4273	18.84	51	2.40	200	2041	7.40	28	2.10						238	1716	6.22	28	2.50																																															
68	4029	21.76	37	1.85			77	3555	19.20	36	2.10					89			3070	16.58	36	2.40			100	2716	14.67	35	2.70			119		2283	12.33		34		2.90	148		1844		9.96	33		3.30					66	4094	22.11	14	1.00	45kW							73	3716			20.07	15	1.10	22	18835	68.28	77	0.90	GFA159 GFAF159 GF159 GFF159	4P	85	3194	17.25	15	1.30	98	2788	15.06	15	1.45	115	2364	12.77	16			1.75	25	16620	60.25	78			1.00	132	2066	11.16	16			1.90	28	14411			52.24	77	1.20	162	1677	9.06	15	1.35	32	12822			46.48	77	1.30			179	1522	8.22	15	1.45			37	11051	40.06	76	1.55	208	1307	7.06	14	1.70	45	8979	32.55	74	1.90	238	1142	6.17	14	1.85	54	7614	27.60	72	2.20	281	968	5.23	14	2.10	30	13448	48.75	52	0.85	GFA129 GFAF129 GF129 GFF129	4P	322	846	4.57	14	2.30	35	11613	42.10	53	0.95	40	10273	37.24	53			1.10	47	8631			31.29	53	1.30	59	6974			25.28			53	1.60	55	7404	26.84	53	1.10	60	6769	24.54			53	1.20	69			5889	21.35	52	1.90	79			5197	18.84	51	2.00	91	4507	16.34	50	2.30	79	5197	18.84	51	2.00	102	4011	14.54	49	2.60	91	4507	16.34	50	2.30	118	3456	12.53	48	2.70	102	4011	14.54	49	2.60	145	2808	10.18	46	3.20	118	3456	12.53	48	2.70	167	2447	8.87	44	2.70	145	2808	10.18	46	3.20	188	2176	7.89	43	2.60	167	2447	8.87	44	2.70	218	1876	6.80	42	3.50	188	2176	7.89	43	2.60	268	1525	5.53	40	3.70	218	1876	6.80	42	3.50	54	7605	27.57	31	0.95	268	1525	5.53	40	3.70	59	6935	25.14	31	1.05	54	7605	27.57	31	0.95	68	6003	21.76	32	1.25	59	6935	25.14	31	1.05	77	5296	19.20	32	1.40	68	6003	21.76	32	1.25	89	4574	16.58	32	1.60	77	5296	19.20	32	1.40	101	4047	14.67	31	1.80	89	4574	16.58	32	1.60	120	3401	12.33	31	1.95	101	4047	14.67	31	1.80	149	2747	9.96	30	2.20	120	3401	12.33	31	1.95	153	2673	9.69	29	1.75	149	2747	9.96	30	2.20	177	2309	8.37	29	1.95	153	2673	9.69	29	1.75	200	2041	7.40	28	2.10	177	2309	8.37	29	1.95	238	1716	6.22	28	2.50	200	2041	7.40	28	2.10						238	1716	6.22	28	2.50	37kW							45kW							17	19461	85.80	84	0.85	GFA159 GFAF159 GF159 GFF159	4P	54	7605	27.57	31	0.95	GFA109 GFAF109 GF109 GFF109	4P	19	17796	78.46	84	0.95	22	15487			68.28			84	1.10	25	13665									60.25			83					1.25	28	11849			52.24	82			1.45				32	10542		46.48	81	1.60					37	9086	40.06	80	1.85	45	7383	32.55	77	2.30	54	6260	27.60	75	2.70	27	12531	55.25	58	0.90	59			6935	25.14	31	1.05	30					11057	48.75	58	1.00	68	6003	21.76			32	1.25			35	9549	42.10	57	1.20	77	5296	19.20	32	1.40	40	8446	37.24	56	1.35	89	4574	16.58	32	1.60	47	7097	31.29	56	1.60	101	4047	14.67	31	1.80	59	5734	25.28	55	1.95	120	3401	12.33	31	1.95	55	6088	26.84	54	1.30	149	2747	9.96	30	2.20	60	5566	24.54	53	1.45	153	2673	9.69	29	1.75	69	4842	21.35	52	2.30	177	2309	8.37	29	1.95	79	4273	18.84	51	2.40	200	2041	7.40	28	2.10						238	1716	6.22	28	2.50																																																															
77	3555	19.20	36	2.10			89	3070	16.58	36	2.40					100			2716	14.67	35	2.70			119	2283	12.33	34	2.90			148		1844	9.96		33		3.30	66		4094		22.11	14		1.00	45kW							73	3716	20.07	15			1.10	22	18835	68.28	77	0.90	GFA159 GFAF159 GF159 GFF159	4P	85	3194	17.25	15	1.30	98	2788			15.06	15	1.45	115	2364	12.77	16	1.75	25	16620	60.25	78	1.00	132			2066	11.16	16	1.90	28			14411	52.24	77	1.20	162			1677	9.06	15			1.35	32	12822	46.48	77	1.30	179	1522	8.22	15			1.45	37	11051			40.06	76	1.55	208	1307	7.06	14	1.70	45	8979	32.55	74	1.90	238	1142	6.17	14	1.85	54	7614	27.60	72	2.20	281	968	5.23	14	2.10	30	13448	48.75	52	0.85	GFA129 GFAF129 GF129 GFF129	4P	322	846	4.57	14	2.30	35	11613			42.10	53	0.95	40	10273	37.24	53	1.10	47	8631	31.29	53	1.30	59			6974	25.28	53			1.60	55	7404	26.84	53			1.10			60	6769	24.54	53	1.20	69	5889	21.35	52	1.90			79	5197	18.84			51	2.00	91	4507	16.34	50	2.30	79	5197	18.84	51	2.00	102	4011	14.54	49	2.60	91	4507	16.34	50	2.30	118	3456	12.53	48	2.70	102	4011	14.54	49	2.60	145	2808	10.18	46	3.20	118	3456	12.53	48	2.70	167	2447	8.87	44	2.70	145	2808	10.18	46	3.20	188	2176	7.89	43	2.60	167	2447	8.87	44	2.70	218	1876	6.80	42	3.50	188	2176	7.89	43	2.60	268	1525	5.53	40	3.70	218	1876	6.80	42	3.50	54	7605	27.57	31	0.95	268	1525	5.53	40	3.70	59	6935	25.14	31	1.05	54	7605	27.57	31	0.95	68	6003	21.76	32	1.25	59	6935	25.14	31	1.05	77	5296	19.20	32	1.40	68	6003	21.76	32	1.25	89	4574	16.58	32	1.60	77	5296	19.20	32	1.40	101	4047	14.67	31	1.80	89	4574	16.58	32	1.60	120	3401	12.33	31	1.95	101	4047	14.67	31	1.80	149	2747	9.96	30	2.20	120	3401	12.33	31	1.95	153	2673	9.69	29	1.75	149	2747	9.96	30	2.20	177	2309	8.37	29	1.95	153	2673	9.69	29	1.75	200	2041	7.40	28	2.10	177	2309	8.37	29	1.95	238	1716	6.22	28	2.50	200	2041	7.40	28	2.10						238	1716	6.22	28	2.50	37kW							45kW							17	19461	85.80	84	0.85	GFA159 GFAF159 GF159 GFF159	4P	54	7605	27.57	31	0.95	GFA109 GFAF109 GF109 GFF109	4P			19	17796	78.46	84	0.95			22	15487	68.28	84	1.10	25	13665			60.25			83	1.25	28	11849									52.24			82					1.45	32	10542			46.48	81			1.60	37	9086		40.06	80		1.85	45	7383					32.55	77	2.30	54	6260	27.60	75	2.70	27	12531	55.25	58	0.90	59	6935	25.14	31	1.05	30	11057	48.75	58	1.00	68	6003	21.76	32	1.25					35	9549	42.10	57	1.20	77	5296			19.20	32			1.40	40	8446	37.24	56	1.35	89	4574	16.58	32	1.60	47	7097	31.29	56	1.60	101	4047	14.67	31	1.80	59	5734	25.28	55	1.95	120	3401	12.33	31	1.95	55	6088	26.84	54	1.30	149	2747	9.96	30	2.20	60	5566	24.54	53	1.45	153	2673	9.69	29	1.75	69	4842	21.35	52	2.30	177	2309	8.37	29	1.95	79	4273	18.84	51	2.40	200	2041	7.40	28	2.10						238	1716	6.22	28	2.50																																																																								
89	3070	16.58	36	2.40			100	2716	14.67	35	2.70					119			2283	12.33	34	2.90			148	1844	9.96	33	3.30			66		4094	22.11		14		1.00	45kW							73	3716			20.07	15	1.10	22	18835	68.28	77	0.90	GFA159 GFAF159 GF159 GFF159	4P	85	3194	17.25	15	1.30	98			2788	15.06	15	1.45	115	2364	12.77			16	1.75	25	16620	60.25	78	1.00	132	2066	11.16	16	1.90	28	14411			52.24	77	1.20	162	1677			9.06	15	1.35	32	12822			46.48	77	1.30			179	1522	8.22	15	1.45	37	11051	40.06	76	1.55			208	1307	7.06	14	1.70	45	8979	32.55	74	1.90	238	1142	6.17	14	1.85	54	7614	27.60	72	2.20	281	968	5.23	14	2.10	30	13448	48.75	52	0.85	GFA129 GFAF129 GF129 GFF129	4P	322	846	4.57	14	2.30	35			11613	42.10	53	0.95	40	10273	37.24			53	1.10	47	8631	31.29	53	1.30	59	6974	25.28	53	1.60	55	7404			26.84	53	1.10			60	6769	24.54	53	1.20			69			5889	21.35	52	1.90	79	5197	18.84	51	2.00	91			4507	16.34	50	2.30	79	5197	18.84	51	2.00	102	4011	14.54	49	2.60	91	4507	16.34	50	2.30	118	3456	12.53	48	2.70	102	4011	14.54	49	2.60	145	2808	10.18	46	3.20	118	3456	12.53	48	2.70	167	2447	8.87	44	2.70	145	2808	10.18	46	3.20	188	2176	7.89	43	2.60	167	2447	8.87	44	2.70	218	1876	6.80	42	3.50	188	2176	7.89	43	2.60	268	1525	5.53	40	3.70	218	1876	6.80	42	3.50	54	7605	27.57	31	0.95	268	1525	5.53	40	3.70	59	6935	25.14	31	1.05	54	7605	27.57	31	0.95	68	6003	21.76	32	1.25	59	6935	25.14	31	1.05	77	5296	19.20	32	1.40	68	6003	21.76	32	1.25	89	4574	16.58	32	1.60	77	5296	19.20	32	1.40	101	4047	14.67	31	1.80	89	4574	16.58	32	1.60	120	3401	12.33	31	1.95	101	4047	14.67	31	1.80	149	2747	9.96	30	2.20	120	3401	12.33	31	1.95	153	2673	9.69	29	1.75	149	2747	9.96	30	2.20	177	2309	8.37	29	1.95	153	2673	9.69	29	1.75	200	2041	7.40	28	2.10	177	2309	8.37	29	1.95	238	1716	6.22	28	2.50	200	2041	7.40	28	2.10						238	1716	6.22	28	2.50	37kW							45kW							17	19461	85.80	84	0.85	GFA159 GFAF159 GF159 GFF159	4P	54	7605	27.57	31	0.95	GFA109 GFAF109 GF109 GFF109			4P	19	17796	78.46	84					0.95	22	15487	68.28	84			1.10	25	13665	60.25	83	1.25	28			11849			52.24	82	1.45	32									10542			46.48					81	1.60	37	9086	40.06	80	1.85			45	7383	32.55		77	2.30		54	6260	27.60					75	2.70	27	12531	55.25	58	0.90	59	6935	25.14	31	1.05	30	11057	48.75	58	1.00	68	6003	21.76	32	1.25	35	9549	42.10	57	1.20	77			5296	19.20	32	1.40	40	8446	37.24	56	1.35			89	4574			16.58	32	1.60	47	7097	31.29	56	1.60	101	4047	14.67	31	1.80	59	5734	25.28	55	1.95	120	3401	12.33	31	1.95	55	6088	26.84	54	1.30	149	2747	9.96	30	2.20	60	5566	24.54	53	1.45	153	2673	9.69	29	1.75	69	4842	21.35	52	2.30	177	2309	8.37	29	1.95	79	4273	18.84	51	2.40	200	2041	7.40	28	2.10						238	1716	6.22	28	2.50																																																																																
100	2716	14.67	35	2.70			119	2283	12.33	34	2.90					148			1844	9.96	33	3.30			66	4094	22.11	14	1.00			45kW							73	3716	20.07	15	1.10	22	18835	68.28	77	0.90	GFA159 GFAF159 GF159 GFF159	4P	85	3194	17.25	15	1.30	98	2788	15.06			15	1.45	115	2364	12.77	16			1.75	25	16620	60.25	78	1.00	132			2066	11.16	16	1.90	28	14411	52.24	77	1.20	162	1677	9.06	15	1.35			32	12822	46.48	77	1.30			179	1522	8.22	15	1.45			37	11051	40.06			76	1.55	208	1307	7.06	14	1.70	45	8979	32.55	74	1.90	238	1142	6.17	14	1.85	54	7614	27.60	72	2.20	281	968	5.23	14	2.10	30	13448	48.75	52	0.85	GFA129 GFAF129 GF129 GFF129	4P	322	846	4.57	14	2.30	35	11613	42.10			53	0.95	40	10273	37.24	53			1.10	47	8631	31.29	53	1.30	59			6974	25.28	53	1.60	55	7404	26.84	53	1.10	60	6769	24.54	53	1.20			69	5889	21.35			52	1.90	79	5197	18.84			51			2.00	91	4507	16.34	50	2.30	79	5197	18.84	51	2.00	102	4011	14.54	49	2.60	91	4507	16.34	50	2.30	118	3456	12.53	48	2.70	102	4011	14.54	49	2.60	145	2808	10.18	46	3.20	118	3456	12.53	48	2.70	167	2447	8.87	44	2.70	145	2808	10.18	46	3.20	188	2176	7.89	43	2.60	167	2447	8.87	44	2.70	218	1876	6.80	42	3.50	188	2176	7.89	43	2.60	268	1525	5.53	40	3.70	218	1876	6.80	42	3.50	54	7605	27.57	31	0.95	268	1525	5.53	40	3.70	59	6935	25.14	31	1.05	54	7605	27.57	31	0.95	68	6003	21.76	32	1.25	59	6935	25.14	31	1.05	77	5296	19.20	32	1.40	68	6003	21.76	32	1.25	89	4574	16.58	32	1.60	77	5296	19.20	32	1.40	101	4047	14.67	31	1.80	89	4574	16.58	32	1.60	120	3401	12.33	31	1.95	101	4047	14.67	31	1.80	149	2747	9.96	30	2.20	120	3401	12.33	31	1.95	153	2673	9.69	29	1.75	149	2747	9.96	30	2.20	177	2309	8.37	29	1.95	153	2673	9.69	29	1.75	200	2041	7.40	28	2.10	177	2309	8.37	29	1.95	238	1716	6.22	28	2.50	200	2041	7.40	28	2.10						238	1716	6.22	28	2.50	37kW							45kW							17	19461	85.80	84	0.85	GFA159 GFAF159 GF159 GFF159	4P	54	7605	27.57	31	0.95	GFA109 GFAF109 GF109 GFF109	4P	19			17796	78.46	84	0.95	22					15487	68.28	84	1.10					25	13665	60.25	83	1.25			28	11849	52.24	82	1.45	32	10542			46.48			81	1.60	37	9086									40.06			80			1.85	45	7383	32.55	77	2.30	54	6260	27.60			75	2.70	27		12531	55.25		58	0.90	59					6935	25.14	31	1.05	30	11057	48.75	58	1.00	68	6003	21.76	32	1.25	35	9549	42.10	57	1.20	77	5296	19.20	32	1.40	40	8446	37.24	56			1.35	89	4574	16.58	32	1.60	47	7097	31.29	56	1.60	101	4047			14.67	31	1.80	59	5734	25.28	55	1.95	120	3401	12.33	31	1.95	55	6088	26.84	54	1.30	149	2747	9.96	30	2.20	60	5566	24.54	53	1.45	153	2673	9.69	29	1.75	69	4842	21.35	52	2.30	177	2309	8.37	29	1.95	79	4273	18.84	51	2.40	200	2041	7.40	28	2.10						238	1716	6.22	28	2.50																																																																																										
119	2283	12.33	34	2.90			148	1844	9.96	33	3.30					66			4094	22.11	14	1.00			45kW							73	3716	20.07	15	1.10	22	18835	68.28	77	0.90	GFA159 GFAF159 GF159 GFF159	4P	85	3194	17.25	15	1.30			98	2788	15.06	15	1.45	115	2364	12.77			16	1.75	25	16620	60.25	78			1.00	132	2066	11.16	16	1.90	28			14411	52.24	77	1.20	162	1677	9.06	15	1.35	32	12822	46.48	77	1.30			179	1522	8.22	15	1.45			37	11051	40.06	76	1.55			208	1307	7.06	14	1.70	45	8979	32.55	74	1.90	238	1142	6.17	14	1.85	54	7614	27.60	72	2.20	281	968	5.23	14	2.10	30	13448	48.75	52	0.85	GFA129 GFAF129 GF129 GFF129	4P	322	846	4.57	14	2.30			35	11613	42.10	53	0.95	40	10273	37.24			53	1.10	47	8631	31.29	53			1.30	59	6974	25.28	53	1.60	55			7404	26.84	53	1.10	60	6769	24.54	53	1.20	69	5889	21.35	52	1.90			79	5197	18.84			51	2.00	91	4507	16.34			50	2.30	79	5197	18.84	51	2.00	102	4011	14.54	49	2.60	91	4507	16.34	50	2.30	118	3456	12.53	48	2.70	102	4011	14.54	49	2.60	145	2808	10.18	46	3.20	118	3456	12.53	48	2.70	167	2447	8.87	44	2.70	145	2808	10.18	46	3.20	188	2176	7.89	43	2.60	167	2447	8.87	44	2.70	218	1876	6.80	42	3.50	188	2176	7.89	43	2.60	268	1525	5.53	40	3.70	218	1876	6.80	42	3.50	54	7605	27.57	31	0.95	268	1525	5.53	40	3.70	59	6935	25.14	31	1.05	54	7605	27.57	31	0.95	68	6003	21.76	32	1.25	59	6935	25.14	31	1.05	77	5296	19.20	32	1.40	68	6003	21.76	32	1.25	89	4574	16.58	32	1.60	77	5296	19.20	32	1.40	101	4047	14.67	31	1.80	89	4574	16.58	32	1.60	120	3401	12.33	31	1.95	101	4047	14.67	31	1.80	149	2747	9.96	30	2.20	120	3401	12.33	31	1.95	153	2673	9.69	29	1.75	149	2747	9.96	30	2.20	177	2309	8.37	29	1.95	153	2673	9.69	29	1.75	200	2041	7.40	28	2.10	177	2309	8.37	29	1.95	238	1716	6.22	28	2.50	200	2041	7.40	28	2.10						238	1716	6.22	28	2.50	37kW							45kW							17	19461	85.80	84	0.85	GFA159 GFAF159 GF159 GFF159	4P	54	7605	27.57	31	0.95			GFA109 GFAF109 GF109 GFF109	4P	19	17796	78.46			84			0.95	22	15487	68.28	84					1.10	25	13665	60.25					83	1.25	28	11849	52.24			82	1.45	32	10542	46.48	81	1.60			37			9086	40.06	80	1.85			45	7383					32.55			77			2.30	54	6260	27.60	75	2.70	27	12531	55.25			58	0.90	59		6935	25.14		31	1.05	30					11057	48.75	58	1.00	68	6003	21.76	32	1.25	35	9549	42.10	57	1.20	77	5296	19.20	32	1.40	40	8446	37.24	56	1.35	89	4574	16.58	32			1.60	47	7097	31.29	56	1.60	101	4047	14.67	31	1.80	59	5734	25.28	55	1.95	120	3401	12.33	31	1.95	55	6088	26.84	54	1.30	149	2747	9.96	30	2.20	60	5566	24.54	53	1.45	153	2673	9.69	29	1.75	69	4842	21.35	52	2.30	177	2309	8.37	29	1.95	79	4273	18.84	51	2.40	200	2041	7.40	28	2.10						238	1716	6.22	28	2.50																																																																																																	
148	1844	9.96	33	3.30			66	4094	22.11	14	1.00					45kW							73	3716	20.07	15	1.10	22	18835	68.28	77	0.90	GFA159 GFAF159 GF159 GFF159	4P	85	3194	17.25	15	1.30	98	2788			15.06	15	1.45	115	2364			12.77	16	1.75	25	16620	60.25	78	1.00			132	2066	11.16	16	1.90	28			14411	52.24	77	1.20	162	1677	9.06			15	1.35	32	12822	46.48	77	1.30	179	1522	8.22	15	1.45	37	11051			40.06	76	1.55	208	1307			7.06	14	1.70	45	8979	32.55	74	1.90	238	1142	6.17	14	1.85	54	7614	27.60	72	2.20	281	968	5.23	14	2.10	30	13448	48.75	52	0.85	GFA129 GFAF129 GF129 GFF129	4P	322	846	4.57	14	2.30	35	11613			42.10	53	0.95	40	10273			37.24	53	1.10	47	8631	31.29	53	1.30			59	6974	25.28	53	1.60	55			7404	26.84	53	1.10	60	6769	24.54			53	1.20	69	5889	21.35	52	1.90	79	5197	18.84	51	2.00	91	4507			16.34	50	2.30			79	5197	18.84	51	2.00	102	4011	14.54	49	2.60	91	4507	16.34	50	2.30	118	3456	12.53	48	2.70	102	4011	14.54	49	2.60	145	2808	10.18	46	3.20	118	3456	12.53	48	2.70	167	2447	8.87	44	2.70	145	2808	10.18	46	3.20	188	2176	7.89	43	2.60	167	2447	8.87	44	2.70	218	1876	6.80	42	3.50	188	2176	7.89	43	2.60	268	1525	5.53	40	3.70	218	1876	6.80	42	3.50	54	7605	27.57	31	0.95	268	1525	5.53	40	3.70	59	6935	25.14	31	1.05	54	7605	27.57	31	0.95	68	6003	21.76	32	1.25	59	6935	25.14	31	1.05	77	5296	19.20	32	1.40	68	6003	21.76	32	1.25	89	4574	16.58	32	1.60	77	5296	19.20	32	1.40	101	4047	14.67	31	1.80	89	4574	16.58	32	1.60	120	3401	12.33	31	1.95	101	4047	14.67	31	1.80	149	2747	9.96	30	2.20	120	3401	12.33	31	1.95	153	2673	9.69	29	1.75	149	2747	9.96	30	2.20	177	2309	8.37	29	1.95	153	2673	9.69	29	1.75	200	2041	7.40	28	2.10	177	2309	8.37	29	1.95	238	1716	6.22	28	2.50	200	2041	7.40	28	2.10						238	1716	6.22	28	2.50	37kW							45kW							17	19461	85.80	84	0.85	GFA159 GFAF159 GF159 GFF159	4P	54	7605	27.57	31	0.95	GFA109 GFAF109 GF109 GFF109	4P			19	17796	78.46	84	0.95					22	15487	68.28			84			1.10	25	13665	60.25	83					1.25	28	11849	52.24					82	1.45	32	10542	46.48			81	1.60	37	9086	40.06	80	1.85			45			7383	32.55	77	2.30		54	6260	27.60	75				2.70			27			12531	55.25	58	0.90	59	6935	25.14	31	1.05			30	11057	48.75		58	1.00		68	6003	21.76					32	1.25	35	9549	42.10	57	1.20	77	5296	19.20	32	1.40	40	8446	37.24	56	1.35	89	4574	16.58	32	1.60	47	7097	31.29	56	1.60	101			4047	14.67	31	1.80	59	5734	25.28	55	1.95	120	3401	12.33	31	1.95	55	6088	26.84	54	1.30	149	2747	9.96	30	2.20	60	5566	24.54	53	1.45	153	2673	9.69	29	1.75	69	4842	21.35	52	2.30	177	2309	8.37	29	1.95	79	4273	18.84	51	2.40	200	2041	7.40	28	2.10						238	1716	6.22	28	2.50																																																																																																								
66	4094	22.11	14	1.00			45kW																																																																																																																																																																																																																																																																																																																																																																																																																																																																																																																																																																																																																																																																																																																																												
73	3716	20.07	15	1.10	22	18835	68.28	77	0.90	GFA159 GFAF159 GF159 GFF159	4P																																																																																																																																																																																																																																																																																																																																																																																																																																																																																																																																																																																																																																																																																																																																								
85	3194	17.25	15	1.30	98	2788	15.06	15	1.45			115	2364	12.77	16	1.75	25	16620	60.25	78	1.00	132	2066	11.16	16	1.90	28	14411	52.24	77	1.20	162			1677	9.06	15	1.35	32	12822	46.48			77	1.30	179	1522	8.22			15	1.45	37	11051	40.06	76	1.55	208			1307	7.06	14	1.70	45	8979			32.55	74	1.90	238	1142	6.17	14	1.85	54	7614	27.60	72	2.20	281	968	5.23	14	2.10	30	13448	48.75	52	0.85	GFA129 GFAF129 GF129 GFF129	4P	322	846	4.57	14	2.30	35	11613	42.10	53	0.95	40	10273	37.24	53	1.10	47	8631	31.29	53	1.30	59	6974	25.28	53	1.60	55	7404	26.84	53	1.10	60	6769	24.54	53	1.20			69	5889	21.35	52	1.90	79	5197			18.84	51	2.00	91	4507			16.34	50	2.30	79	5197	18.84	51	2.00			102	4011	14.54	49	2.60	91			4507	16.34	50	2.30	118	3456	12.53	48	2.70	102	4011	14.54	49	2.60	145	2808	10.18	46	3.20	118	3456	12.53	48	2.70	167	2447	8.87	44	2.70	145	2808	10.18	46	3.20	188	2176	7.89	43	2.60	167	2447	8.87	44	2.70	218	1876	6.80	42	3.50	188	2176	7.89	43	2.60	268	1525	5.53	40	3.70	218	1876	6.80	42	3.50	54	7605	27.57	31	0.95	268	1525	5.53	40	3.70	59	6935	25.14	31	1.05	54	7605	27.57	31	0.95	68	6003	21.76	32	1.25	59	6935	25.14	31	1.05	77	5296	19.20	32	1.40	68	6003	21.76	32	1.25	89	4574	16.58	32	1.60	77	5296	19.20	32	1.40	101	4047	14.67	31	1.80	89	4574	16.58	32	1.60	120	3401	12.33	31	1.95	101	4047	14.67	31	1.80	149	2747	9.96	30	2.20	120	3401	12.33	31	1.95	153	2673	9.69	29	1.75	149	2747	9.96	30	2.20	177	2309	8.37	29	1.95	153	2673	9.69	29	1.75	200	2041	7.40	28	2.10	177	2309	8.37	29	1.95	238	1716	6.22	28	2.50	200	2041	7.40	28	2.10						238	1716	6.22	28	2.50	37kW							45kW							17	19461	85.80	84	0.85	GFA159 GFAF159 GF159 GFF159	4P	54	7605	27.57	31	0.95	GFA109 GFAF109 GF109 GFF109	4P	19	17796	78.46	84	0.95	22	15487	68.28	84	1.10	25	13665	60.25	83	1.25	28	11849	52.24	82	1.45	32	10542	46.48	81	1.60	37	9086	40.06	80	1.85	45	7383			32.55	77	2.30	54	6260					27.60	75	2.70	27	12531					55.25	58	0.90			59			6935	25.14	31	1.05	30					11057	48.75	58	1.00			68	6003	21.76	32	1.25	35	9549			42.10	57	1.20	77	5296	19.20	32	1.40	40	8446	37.24	56	1.35	89	4574	16.58		32	1.60	47	7097				31.29			56			1.60	101	4047	14.67	31	1.80	59	5734	25.28			55	1.95	120		3401	12.33		31	1.95	55		6088	26.84		54	1.30	149	2747	9.96	30	2.20	60	5566	24.54	53	1.45	153	2673	9.69	29	1.75	69	4842	21.35	52	2.30	177	2309	8.37	29	1.95	79	4273	18.84	51	2.40	200	2041	7.40	28	2.10						238	1716	6.22	28	2.50																																																																																																																																																							
98	2788	15.06	15	1.45	115	2364	12.77	16	1.75			25	16620	60.25	78	1.00	132	2066	11.16	16	1.90	28	14411	52.24	77	1.20	162	1677	9.06	15	1.35	32			12822	46.48	77	1.30	179	1522	8.22			15	1.45	37	11051	40.06			76	1.55	208	1307	7.06	14	1.70	45			8979	32.55	74	1.90	238	1142	6.17	14	1.85	54	7614	27.60	72	2.20	281	968	5.23	14	2.10	30	13448	48.75	52	0.85	GFA129 GFAF129 GF129 GFF129	4P	322	846	4.57	14	2.30			35	11613	42.10	53	0.95	40	10273	37.24	53	1.10	47	8631	31.29	53	1.30	59	6974	25.28	53	1.60	55	7404	26.84	53	1.10	60	6769	24.54	53	1.20	69	5889	21.35	52	1.90			79	5197	18.84	51	2.00	91	4507			16.34	50	2.30	79	5197			18.84	51	2.00	102	4011	14.54	49	2.60			91	4507	16.34	50	2.30	118	3456	12.53	48	2.70	102	4011	14.54	49	2.60	145	2808	10.18	46	3.20	118	3456	12.53	48	2.70	167	2447	8.87	44	2.70	145	2808	10.18	46	3.20	188	2176	7.89	43	2.60	167	2447	8.87	44	2.70	218	1876	6.80	42	3.50	188	2176	7.89	43	2.60	268	1525	5.53	40	3.70	218	1876	6.80	42	3.50	54	7605	27.57	31	0.95	268	1525	5.53	40	3.70	59	6935	25.14	31	1.05	54	7605	27.57	31	0.95	68	6003	21.76	32	1.25	59	6935	25.14	31	1.05	77	5296	19.20	32	1.40	68	6003	21.76	32	1.25	89	4574	16.58	32	1.60	77	5296	19.20	32	1.40	101	4047	14.67	31	1.80	89	4574	16.58	32	1.60	120	3401	12.33	31	1.95	101	4047	14.67	31	1.80	149	2747	9.96	30	2.20	120	3401	12.33	31	1.95	153	2673	9.69	29	1.75	149	2747	9.96	30	2.20	177	2309	8.37	29	1.95	153	2673	9.69	29	1.75	200	2041	7.40	28	2.10	177	2309	8.37	29	1.95	238	1716	6.22	28	2.50	200	2041	7.40	28	2.10						238	1716	6.22	28	2.50	37kW							45kW							17	19461	85.80	84	0.85	GFA159 GFAF159 GF159 GFF159	4P	54	7605	27.57	31	0.95			GFA109 GFAF109 GF109 GFF109	4P	19	17796	78.46			84	0.95	22	15487	68.28	84	1.10	25	13665	60.25	83	1.25	28	11849	52.24	82	1.45	32	10542	46.48	81	1.60	37	9086	40.06	80	1.85	45	7383	32.55	77	2.30			54	6260	27.60	75	2.70					27	12531	55.25	58	0.90					59	6935	25.14			31			1.05	30	11057	48.75	58		1.00	68		6003	21.76	32	1.25			35	9549	42.10	57	1.20	77	5296			19.20	32	1.40	40	8446	37.24	56	1.35	89	4574	16.58	32	1.60	47	7097	31.29		56	1.60	101	4047				14.67			31			1.80	59	5734	25.28	55	1.95	120	3401	12.33			31	1.95	55		6088	26.84		54	1.30	149	2747	9.96	30	2.20	60	5566	24.54	53	1.45	153	2673	9.69	29	1.75	69	4842	21.35	52	2.30	177	2309	8.37	29	1.95	79	4273	18.84	51	2.40	200	2041	7.40	28	2.10						238	1716	6.22	28	2.50																																																																																																																																																														
115	2364	12.77	16	1.75	25	16620	60.25	78	1.00			132	2066	11.16	16	1.90	28	14411	52.24	77	1.20	162	1677	9.06	15	1.35	32	12822	46.48	77	1.30	179			1522	8.22	15	1.45	37	11051	40.06			76	1.55	208	1307	7.06			14	1.70	45	8979	32.55	74	1.90	238	1142	6.17	14	1.85	54	7614	27.60	72	2.20	281	968	5.23	14	2.10	30	13448	48.75	52	0.85	GFA129 GFAF129 GF129 GFF129	4P	322	846	4.57	14	2.30			35	11613	42.10	53	0.95			40	10273	37.24	53	1.10	47	8631	31.29	53	1.30	59	6974	25.28	53	1.60	55	7404	26.84	53	1.10	60	6769	24.54	53	1.20	69	5889	21.35	52	1.90	79	5197	18.84	51	2.00			91	4507	16.34	50	2.30	79	5197			18.84	51	2.00	102	4011			14.54	49	2.60	91	4507	16.34	50	2.30	118	3456	12.53	48	2.70	102	4011	14.54	49	2.60	145	2808	10.18	46	3.20	118	3456	12.53	48	2.70	167	2447	8.87	44	2.70	145	2808	10.18	46	3.20	188	2176	7.89	43	2.60	167	2447	8.87	44	2.70	218	1876	6.80	42	3.50	188	2176	7.89	43	2.60	268	1525	5.53	40	3.70	218	1876	6.80	42	3.50	54	7605	27.57	31	0.95	268	1525	5.53	40	3.70	59	6935	25.14	31	1.05	54	7605	27.57	31	0.95	68	6003	21.76	32	1.25	59	6935	25.14	31	1.05	77	5296	19.20	32	1.40	68	6003	21.76	32	1.25	89	4574	16.58	32	1.60	77	5296	19.20	32	1.40	101	4047	14.67	31	1.80	89	4574	16.58	32	1.60	120	3401	12.33	31	1.95	101	4047	14.67	31	1.80	149	2747	9.96	30	2.20	120	3401	12.33	31	1.95	153	2673	9.69	29	1.75	149	2747	9.96	30	2.20	177	2309	8.37	29	1.95	153	2673	9.69	29	1.75	200	2041	7.40	28	2.10	177	2309	8.37	29	1.95	238	1716	6.22	28	2.50	200	2041	7.40	28	2.10						238	1716	6.22	28	2.50	37kW							45kW							17	19461	85.80	84	0.85	GFA159 GFAF159 GF159 GFF159	4P	54	7605	27.57	31	0.95			GFA109 GFAF109 GF109 GFF109	4P	19	17796	78.46					84	0.95	22			15487	68.28	84	1.10	25	13665	60.25	83	1.25	28	11849	52.24	82	1.45	32	10542	46.48	81	1.60	37	9086	40.06	80	1.85	45	7383	32.55	77	2.30	54	6260	27.60			75	2.70	27	12531	55.25					58	0.90	59	6935	25.14					31	1.05	30			11057	48.75	58	1.00	68	6003	21.76	32		1.25	35		9549	42.10	57	1.20			77	5296	19.20	32	1.40	40	8446			37.24	56	1.35	89	4574	16.58	32	1.60	47	7097	31.29	56	1.60	101	4047	14.67		31	1.80	59	5734				25.28			55			1.95	120	3401	12.33	31	1.95	55	6088	26.84			54	1.30	149	2747	9.96	30	2.20	60	5566	24.54	53	1.45	153	2673	9.69	29	1.75	69	4842	21.35	52	2.30	177	2309	8.37	29	1.95	79	4273	18.84	51	2.40	200	2041	7.40	28	2.10						238	1716	6.22	28	2.50																																																																																																																																																																					
132	2066	11.16	16	1.90	28	14411	52.24	77	1.20			162	1677	9.06	15	1.35	32	12822	46.48	77	1.30	179	1522	8.22	15	1.45	37	11051	40.06	76	1.55	208			1307	7.06	14	1.70	45	8979	32.55			74	1.90	238	1142	6.17	14	1.85	54	7614	27.60	72	2.20	281	968	5.23	14	2.10	30	13448	48.75	52	0.85	GFA129 GFAF129 GF129 GFF129	4P	322	846	4.57	14	2.30	35	11613	42.10	53	0.95			40	10273	37.24	53	1.10			47	8631	31.29	53	1.30			59	6974	25.28	53	1.60	55	7404	26.84	53	1.10	60	6769	24.54	53	1.20	69	5889	21.35	52	1.90	79	5197	18.84	51	2.00	91	4507	16.34	50	2.30	79	5197	18.84	51	2.00			102	4011	14.54	49	2.60	91	4507			16.34	50	2.30	118	3456	12.53	48	2.70	102	4011	14.54	49	2.60	145	2808	10.18	46	3.20	118	3456	12.53	48	2.70	167	2447	8.87	44	2.70	145	2808	10.18	46	3.20	188	2176	7.89	43	2.60	167	2447	8.87	44	2.70	218	1876	6.80	42	3.50	188	2176	7.89	43	2.60	268	1525	5.53	40	3.70	218	1876	6.80	42	3.50	54	7605	27.57	31	0.95	268	1525	5.53	40	3.70	59	6935	25.14	31	1.05	54	7605	27.57	31	0.95	68	6003	21.76	32	1.25	59	6935	25.14	31	1.05	77	5296	19.20	32	1.40	68	6003	21.76	32	1.25	89	4574	16.58	32	1.60	77	5296	19.20	32	1.40	101	4047	14.67	31	1.80	89	4574	16.58	32	1.60	120	3401	12.33	31	1.95	101	4047	14.67	31	1.80	149	2747	9.96	30	2.20	120	3401	12.33	31	1.95	153	2673	9.69	29	1.75	149	2747	9.96	30	2.20	177	2309	8.37	29	1.95	153	2673	9.69	29	1.75	200	2041	7.40	28	2.10	177	2309	8.37	29	1.95	238	1716	6.22	28	2.50	200	2041	7.40	28	2.10						238	1716	6.22	28	2.50	37kW							45kW							17	19461	85.80	84	0.85	GFA159 GFAF159 GF159 GFF159	4P	54	7605	27.57	31	0.95	GFA109 GFAF109 GF109 GFF109	4P	19	17796	78.46			84	0.95	22	15487	68.28					84	1.10	25					13665	60.25	83			1.25	28	11849	52.24	82	1.45	32	10542	46.48	81	1.60	37	9086	40.06	80	1.85	45	7383	32.55	77	2.30	54	6260	27.60	75	2.70	27	12531	55.25	58	0.90	59			6935	25.14	31	1.05	30					11057	48.75	58	1.00	68	6003	21.76			32	1.25	35			9549	42.10	57	1.20	77	5296	19.20	32		1.40	40		8446	37.24	56	1.35			89	4574	16.58	32	1.60	47	7097			31.29	56	1.60	101	4047	14.67	31	1.80	59	5734	25.28	55	1.95	120	3401	12.33		31	1.95	55	6088				26.84			54			1.30	149	2747	9.96	30	2.20	60	5566	24.54	53	1.45	153	2673	9.69	29	1.75	69	4842	21.35	52	2.30	177	2309	8.37	29	1.95	79	4273	18.84	51	2.40	200	2041	7.40	28	2.10						238	1716	6.22	28	2.50																																																																																																																																																																																	
162	1677	9.06	15	1.35	32	12822	46.48	77	1.30			179	1522	8.22	15	1.45	37	11051	40.06	76	1.55	208	1307	7.06	14	1.70	45	8979	32.55	74	1.90	238			1142	6.17	14	1.85	54	7614	27.60	72	2.20	281	968	5.23	14	2.10	30	13448	48.75	52	0.85	GFA129 GFAF129 GF129 GFF129	4P	322	846	4.57	14	2.30	35	11613	42.10	53	0.95			40	10273	37.24	53	1.10	47	8631	31.29	53	1.30			59	6974	25.28	53	1.60			55	7404	26.84	53	1.10			60	6769	24.54	53	1.20	69	5889	21.35	52	1.90	79	5197	18.84	51	2.00	91	4507	16.34	50	2.30	79	5197	18.84	51	2.00	102	4011	14.54	49	2.60	91	4507	16.34	50	2.30			118	3456	12.53	48	2.70	102	4011	14.54	49	2.60	145	2808	10.18	46	3.20	118	3456	12.53	48	2.70	167	2447	8.87	44	2.70	145	2808	10.18	46	3.20	188	2176	7.89	43	2.60	167	2447	8.87	44	2.70	218	1876	6.80	42	3.50	188	2176	7.89	43	2.60	268	1525	5.53	40	3.70	218	1876	6.80	42	3.50	54	7605	27.57	31	0.95	268	1525	5.53	40	3.70	59	6935	25.14	31	1.05	54	7605	27.57	31	0.95	68	6003	21.76	32	1.25	59	6935	25.14	31	1.05	77	5296	19.20	32	1.40	68	6003	21.76	32	1.25	89	4574	16.58	32	1.60	77	5296	19.20	32	1.40	101	4047	14.67	31	1.80	89	4574	16.58	32	1.60	120	3401	12.33	31	1.95	101	4047	14.67	31	1.80	149	2747	9.96	30	2.20	120	3401	12.33	31	1.95	153	2673	9.69	29	1.75	149	2747	9.96	30	2.20	177	2309	8.37	29	1.95	153	2673	9.69	29	1.75	200	2041	7.40	28	2.10	177	2309	8.37	29	1.95	238	1716	6.22	28	2.50	200	2041	7.40	28	2.10						238	1716	6.22	28	2.50	37kW							45kW							17	19461	85.80	84	0.85	GFA159 GFAF159 GF159 GFF159	4P	54	7605	27.57	31	0.95	GFA109 GFAF109 GF109 GFF109	4P	19	17796	78.46			84	0.95	22	15487	68.28			84	1.10	25			13665	60.25	83	1.25	28					11849	52.24	82					1.45	32	10542			46.48	81	1.60	37	9086	40.06	80	1.85	45	7383	32.55	77	2.30	54	6260	27.60	75	2.70	27	12531	55.25	58	0.90	59	6935	25.14	31	1.05	30	11057	48.75	58			1.00	68	6003	21.76	32			1.25	35	9549	42.10	57	1.20	77	5296	19.20			32	1.40	40			8446	37.24	56	1.35	89	4574	16.58	32		1.60	47		7097	31.29	56	1.60			101	4047	14.67	31	1.80	59	5734			25.28	55	1.95	120	3401	12.33	31	1.95	55	6088	26.84	54	1.30	149	2747	9.96		30	2.20	60	5566				24.54	53	1.45	153			2673	9.69	29	1.75	69	4842	21.35	52	2.30	177	2309	8.37	29	1.95	79	4273	18.84	51	2.40	200	2041	7.40	28	2.10						238	1716	6.22	28	2.50																																																																																																																																																																																													
179	1522	8.22	15	1.45	37	11051	40.06	76	1.55			208	1307	7.06	14	1.70	45	8979	32.55	74	1.90	238	1142	6.17	14	1.85	54	7614	27.60	72	2.20	281	968	5.23	14	2.10	30	13448	48.75	52	0.85	GFA129 GFAF129 GF129 GFF129	4P	322	846	4.57	14	2.30	35	11613	42.10	53	0.95			40	10273	37.24	53	1.10	47	8631	31.29	53	1.30			59	6974	25.28	53	1.60	55	7404	26.84	53	1.10			60	6769	24.54	53	1.20			69	5889	21.35	52	1.90			79	5197	18.84	51	2.00	91	4507	16.34	50	2.30	79	5197	18.84	51	2.00	102	4011	14.54	49	2.60	91	4507	16.34	50	2.30	118	3456	12.53	48	2.70	102	4011	14.54	49	2.60	145	2808	10.18	46	3.20	118	3456	12.53	48	2.70	167	2447	8.87	44	2.70	145	2808	10.18	46	3.20	188	2176	7.89	43	2.60	167	2447	8.87	44	2.70	218	1876	6.80	42	3.50	188	2176	7.89	43	2.60	268	1525	5.53	40	3.70	218	1876	6.80	42	3.50	54	7605	27.57	31	0.95	268	1525	5.53	40	3.70	59	6935	25.14	31	1.05	54	7605	27.57	31	0.95	68	6003	21.76	32	1.25	59	6935	25.14	31	1.05	77	5296	19.20	32	1.40	68	6003	21.76	32	1.25	89	4574	16.58	32	1.60	77	5296	19.20	32	1.40	101	4047	14.67	31	1.80	89	4574	16.58	32	1.60	120	3401	12.33	31	1.95	101	4047	14.67	31	1.80	149	2747	9.96	30	2.20	120	3401	12.33	31	1.95	153	2673	9.69	29	1.75	149	2747	9.96	30	2.20	177	2309	8.37	29	1.95	153	2673	9.69	29	1.75	200	2041	7.40	28	2.10	177	2309	8.37	29	1.95	238	1716	6.22	28	2.50	200	2041	7.40	28	2.10						238	1716	6.22	28	2.50	37kW							45kW							17	19461	85.80	84	0.85	GFA159 GFAF159 GF159 GFF159	4P	54	7605	27.57	31	0.95	GFA109 GFAF109 GF109 GFF109	4P	19	17796	78.46			84	0.95	22	15487	68.28			84	1.10	25			13665	60.25	83	1.25	28			11849	52.24	82			1.45	32	10542	46.48	81					1.60	37	9086					40.06	80	1.85			45	7383	32.55	77	2.30	54	6260	27.60	75	2.70	27	12531	55.25	58	0.90	59	6935	25.14	31	1.05	30	11057	48.75	58	1.00	68	6003	21.76	32	1.25	35	9549	42.10	57	1.20	77	5296	19.20	32			1.40	40	8446	37.24	56	1.35	89	4574	16.58			32	1.60	47			7097	31.29	56	1.60	101	4047	14.67	31		1.80	59		5734	25.28	55	1.95			120	3401	12.33	31	1.95	55	6088			26.84	54	1.30	149	2747	9.96	30	2.20	60	5566	24.54	53	1.45	153	2673	9.69		29	1.75	69	4842				21.35	52	2.30	177	2309	8.37	29	1.95	79	4273	18.84	51	2.40	200	2041	7.40	28	2.10						238	1716	6.22	28	2.50																																																																																																																																																																																																									
208	1307	7.06	14	1.70	45	8979	32.55	74	1.90			238	1142	6.17	14	1.85	54	7614	27.60	72	2.20	281	968	5.23	14	2.10	30	13448	48.75	52	0.85	GFA129 GFAF129 GF129 GFF129	4P	322	846	4.57	14	2.30	35	11613	42.10			53	0.95	40	10273	37.24	53	1.10	47	8631	31.29			53	1.30	59	6974	25.28	53	1.60	55	7404	26.84			53	1.10	60	6769	24.54	53	1.20	69	5889	21.35			52	1.90	79	5197	18.84			51	2.00	91	4507	16.34			50	2.30	79	5197	18.84	51	2.00	102	4011	14.54	49	2.60	91	4507	16.34	50	2.30	118	3456	12.53	48	2.70	102	4011	14.54	49	2.60	145	2808	10.18	46	3.20	118	3456	12.53	48	2.70	167	2447	8.87	44	2.70	145	2808	10.18	46	3.20	188	2176	7.89	43	2.60	167	2447	8.87	44	2.70	218	1876	6.80	42	3.50	188	2176	7.89	43	2.60	268	1525	5.53	40	3.70	218	1876	6.80	42	3.50	54	7605	27.57	31	0.95	268	1525	5.53	40	3.70	59	6935	25.14	31	1.05	54	7605	27.57	31	0.95	68	6003	21.76	32	1.25	59	6935	25.14	31	1.05	77	5296	19.20	32	1.40	68	6003	21.76	32	1.25	89	4574	16.58	32	1.60	77	5296	19.20	32	1.40	101	4047	14.67	31	1.80	89	4574	16.58	32	1.60	120	3401	12.33	31	1.95	101	4047	14.67	31	1.80	149	2747	9.96	30	2.20	120	3401	12.33	31	1.95	153	2673	9.69	29	1.75	149	2747	9.96	30	2.20	177	2309	8.37	29	1.95	153	2673	9.69	29	1.75	200	2041	7.40	28	2.10	177	2309	8.37	29	1.95	238	1716	6.22	28	2.50	200	2041	7.40	28	2.10						238	1716	6.22	28	2.50	37kW							45kW							17	19461	85.80	84	0.85	GFA159 GFAF159 GF159 GFF159	4P	54	7605	27.57	31	0.95	GFA109 GFAF109 GF109 GFF109			4P	19	17796	78.46	84			0.95	22	15487			68.28	84	1.10	25	13665			60.25	83	1.25			28	11849	52.24	82	1.45			32	10542	46.48			81	1.60	37	9086	40.06					80	1.85	45					7383	32.55	77			2.30	54	6260	27.60	75	2.70	27	12531	55.25	58	0.90	59	6935	25.14	31	1.05	30	11057	48.75	58	1.00	68	6003	21.76	32	1.25	35	9549	42.10	57	1.20	77	5296	19.20	32	1.40	40	8446	37.24			56	1.35	89	4574	16.58	32	1.60	47	7097			31.29	56	1.60			101	4047	14.67	31	1.80	59	5734	25.28		55	1.95		120	3401	12.33	31			1.95	55	6088	26.84	54	1.30	149			2747	9.96	30	2.20	60	5566	24.54	53	1.45	153	2673	9.69	29	1.75	69	4842		21.35	52	2.30	177	2309	8.37		29	1.95	79	4273	18.84	51	2.40	200	2041	7.40	28	2.10						238	1716	6.22	28	2.50																																																																																																																																																																																																															
238	1142	6.17	14	1.85	54	7614	27.60	72	2.20	281	968	5.23	14	2.10	30	13448	48.75	52	0.85	GFA129 GFAF129 GF129 GFF129	4P	322	846	4.57	14	2.30	35	11613	42.10	53	0.95			40	10273	37.24	53	1.10	47	8631	31.29			53	1.30	59	6974	25.28	53	1.60	55	7404	26.84			53	1.10	60	6769	24.54	53	1.20	69	5889	21.35			52	1.90	79	5197	18.84	51	2.00	91	4507	16.34			50	2.30	79	5197	18.84			51	2.00	102	4011	14.54			49	2.60	91	4507	16.34	50	2.30	118	3456	12.53	48	2.70	102	4011	14.54	49	2.60	145	2808	10.18	46	3.20	118	3456	12.53	48	2.70	167	2447	8.87	44	2.70	145	2808	10.18	46	3.20	188	2176	7.89	43	2.60	167	2447	8.87	44	2.70	218	1876	6.80	42	3.50	188	2176	7.89	43	2.60	268	1525	5.53	40	3.70	218	1876	6.80	42	3.50	54	7605	27.57	31	0.95	268	1525	5.53	40	3.70	59	6935	25.14	31	1.05	54	7605	27.57	31	0.95	68	6003	21.76	32	1.25	59	6935	25.14	31	1.05	77	5296	19.20	32	1.40	68	6003	21.76	32	1.25	89	4574	16.58	32	1.60	77	5296	19.20	32	1.40	101	4047	14.67	31	1.80	89	4574	16.58	32	1.60	120	3401	12.33	31	1.95	101	4047	14.67	31	1.80	149	2747	9.96	30	2.20	120	3401	12.33	31	1.95	153	2673	9.69	29	1.75	149	2747	9.96	30	2.20	177	2309	8.37	29	1.95	153	2673	9.69	29	1.75	200	2041	7.40	28	2.10	177	2309	8.37	29	1.95	238	1716	6.22	28	2.50	200	2041	7.40	28	2.10						238	1716	6.22	28	2.50	37kW							45kW							17	19461	85.80	84	0.85	GFA159 GFAF159 GF159 GFF159	4P	54	7605	27.57	31	0.95	GFA109 GFAF109 GF109 GFF109	4P	19			17796	78.46	84	0.95	22					15487	68.28	84	1.10			25	13665	60.25			83	1.25	28	11849	52.24			82	1.45	32			10542	46.48	81	1.60	37			9086	40.06	80			1.85	45	7383	32.55	77					2.30	54	6260					27.60	75	2.70			27	12531	55.25	58	0.90	59	6935	25.14	31	1.05	30	11057	48.75	58	1.00	68	6003	21.76	32	1.25	35	9549	42.10	57	1.20	77	5296	19.20	32	1.40	40	8446	37.24	56	1.35	89	4574	16.58	32			1.60	47	7097	31.29	56	1.60	101	4047	14.67			31	1.80	59			5734	25.28	55	1.95	120	3401	12.33	31		1.95	55		6088	26.84	54	1.30			149	2747	9.96	30	2.20	60	5566			24.54	53	1.45	153	2673	9.69	29	1.75	69	4842	21.35	52	2.30	177	2309	8.37	29	1.95	79	4273	18.84	51	2.40	200	2041	7.40	28	2.10						238	1716	6.22	28	2.50																																																																																																																																																																																																																							
281	968	5.23	14	2.10	30	13448	48.75	52	0.85	GFA129 GFAF129 GF129 GFF129	4P																																																																																																																																																																																																																																																																																																																																																																																																																																																																																																																																																																																																																																																																																																																																								
322	846	4.57	14	2.30	35	11613	42.10	53	0.95			40	10273	37.24	53	1.10	47	8631	31.29			53	1.30	59	6974	25.28	53	1.60	55	7404	26.84			53	1.10	60	6769	24.54	53	1.20	69			5889	21.35	52	1.90	79	5197	18.84	51	2.00	91			4507	16.34	50	2.30	79	5197	18.84	51	2.00	102			4011	14.54	49	2.60	91	4507	16.34	50	2.30	118			3456	12.53	48	2.70	102	4011	14.54	49	2.60	145	2808	10.18	46	3.20	118	3456	12.53	48	2.70	167	2447	8.87	44	2.70	145	2808	10.18	46	3.20	188	2176	7.89	43	2.60	167	2447	8.87	44	2.70	218	1876	6.80	42	3.50	188	2176	7.89	43	2.60	268	1525	5.53	40	3.70	218	1876	6.80	42	3.50	54	7605	27.57	31	0.95	268	1525	5.53	40	3.70	59	6935	25.14	31	1.05	54	7605	27.57	31	0.95	68	6003	21.76	32	1.25	59	6935	25.14	31	1.05	77	5296	19.20	32	1.40	68	6003	21.76	32	1.25	89	4574	16.58	32	1.60	77	5296	19.20	32	1.40	101	4047	14.67	31	1.80	89	4574	16.58	32	1.60	120	3401	12.33	31	1.95	101	4047	14.67	31	1.80	149	2747	9.96	30	2.20	120	3401	12.33	31	1.95	153	2673	9.69	29	1.75	149	2747	9.96	30	2.20	177	2309	8.37	29	1.95	153	2673	9.69	29	1.75	200	2041	7.40	28	2.10	177	2309	8.37	29	1.95	238	1716	6.22	28	2.50	200	2041	7.40	28	2.10						238	1716	6.22	28	2.50	37kW							45kW							17	19461	85.80	84	0.85	GFA159 GFAF159 GF159 GFF159	4P	54	7605	27.57	31	0.95	GFA109 GFAF109 GF109 GFF109	4P	19	17796	78.46	84	0.95	22	15487	68.28	84	1.10	25	13665	60.25			83	1.25	28	11849	52.24			82			1.45	32	10542	46.48	81					1.60	37	9086	40.06			80	1.85	45			7383	32.55	77	2.30	54			6260	27.60	75			2.70	27	12531	55.25	58			0.90	59	6935			25.14	31	1.05	30	11057	48.75	58			1.00	68	6003	21.76	32			1.25	35	9549			42.10	57	1.20	77	5296	19.20	32	1.40	40	8446	37.24	56	1.35	89	4574	16.58	32	1.60	47	7097	31.29	56	1.60	101	4047	14.67	31	1.80	59	5734	25.28	55	1.95	120	3401	12.33	31	1.95	55			6088	26.84	54	1.30	149	2747	9.96	30	2.20			60	5566	24.54			53	1.45	153	2673	9.69	29	1.75	69		4842	21.35		52	2.30	177	2309	8.37	29	1.95	79	4273	18.84	51	2.40	200	2041	7.40	28	2.10						238	1716	6.22	28	2.50																																																																																																																																																																																																																																																	
35	11613	42.10	53	0.95	40	10273	37.24	53	1.10			47	8631	31.29	53	1.30	59	6974	25.28			53	1.60	55	7404	26.84	53	1.10	60	6769	24.54			53	1.20	69	5889	21.35	52	1.90	79			5197	18.84	51	2.00	91	4507	16.34	50	2.30	79			5197	18.84	51	2.00	102	4011	14.54	49	2.60	91			4507	16.34	50	2.30	118	3456	12.53	48	2.70	102	4011	14.54	49	2.60	145	2808	10.18	46	3.20	118	3456	12.53	48	2.70	167	2447	8.87	44	2.70	145	2808	10.18	46	3.20	188	2176	7.89	43	2.60	167	2447	8.87	44	2.70	218	1876	6.80	42	3.50	188	2176	7.89	43	2.60	268	1525	5.53	40	3.70	218	1876	6.80	42	3.50	54	7605	27.57	31	0.95	268	1525	5.53	40	3.70	59	6935	25.14	31	1.05	54	7605	27.57	31	0.95	68	6003	21.76	32	1.25	59	6935	25.14	31	1.05	77	5296	19.20	32	1.40	68	6003	21.76	32	1.25	89	4574	16.58	32	1.60	77	5296	19.20	32	1.40	101	4047	14.67	31	1.80	89	4574	16.58	32	1.60	120	3401	12.33	31	1.95	101	4047	14.67	31	1.80	149	2747	9.96	30	2.20	120	3401	12.33	31	1.95	153	2673	9.69	29	1.75	149	2747	9.96	30	2.20	177	2309	8.37	29	1.95	153	2673	9.69	29	1.75	200	2041	7.40	28	2.10	177	2309	8.37	29	1.95	238	1716	6.22	28	2.50	200	2041	7.40	28	2.10						238	1716	6.22	28	2.50	37kW							45kW							17	19461	85.80	84	0.85	GFA159 GFAF159 GF159 GFF159	4P	54	7605	27.57	31	0.95			GFA109 GFAF109 GF109 GFF109	4P	19	17796	78.46			84	0.95	22	15487	68.28	84	1.10	25	13665	60.25	83	1.25	28			11849	52.24	82	1.45	32			10542			46.48	81	1.60	37	9086					40.06	80	1.85	45			7383	32.55	77			2.30	54	6260	27.60	75			2.70	27	12531			55.25	58	0.90	59	6935			25.14	31	1.05	30	11057	48.75	58	1.00	68	6003	21.76	32			1.25	35	9549	42.10	57			1.20	77	5296			19.20	32	1.40	40	8446	37.24	56	1.35	89	4574	16.58	32	1.60	47	7097	31.29	56	1.60	101	4047	14.67	31	1.80	59	5734	25.28	55	1.95	120	3401	12.33	31	1.95	55	6088	26.84	54	1.30	149			2747	9.96	30	2.20	60	5566	24.54	53	1.45			153	2673	9.69			29	1.75	69	4842	21.35	52	2.30	177	2309	8.37	29	1.95	79	4273	18.84	51	2.40	200	2041	7.40	28	2.10						238	1716	6.22	28	2.50																																																																																																																																																																																																																																																								
40	10273	37.24	53	1.10	47	8631	31.29	53	1.30			59	6974	25.28	53	1.60	55	7404	26.84			53	1.10	60	6769	24.54	53	1.20	69	5889	21.35			52	1.90	79	5197	18.84	51	2.00	91			4507	16.34	50	2.30	79	5197	18.84	51	2.00	102			4011	14.54	49	2.60	91	4507	16.34	50	2.30	118	3456	12.53	48	2.70	102	4011	14.54	49	2.60	145	2808	10.18	46	3.20	118	3456	12.53	48	2.70	167	2447	8.87	44	2.70	145	2808	10.18	46	3.20	188	2176	7.89	43	2.60	167	2447	8.87	44	2.70	218	1876	6.80	42	3.50	188	2176	7.89	43	2.60	268	1525	5.53	40	3.70	218	1876	6.80	42	3.50	54	7605	27.57	31	0.95	268	1525	5.53	40	3.70	59	6935	25.14	31	1.05	54	7605	27.57	31	0.95	68	6003	21.76	32	1.25	59	6935	25.14	31	1.05	77	5296	19.20	32	1.40	68	6003	21.76	32	1.25	89	4574	16.58	32	1.60	77	5296	19.20	32	1.40	101	4047	14.67	31	1.80	89	4574	16.58	32	1.60	120	3401	12.33	31	1.95	101	4047	14.67	31	1.80	149	2747	9.96	30	2.20	120	3401	12.33	31	1.95	153	2673	9.69	29	1.75	149	2747	9.96	30	2.20	177	2309	8.37	29	1.95	153	2673	9.69	29	1.75	200	2041	7.40	28	2.10	177	2309	8.37	29	1.95	238	1716	6.22	28	2.50	200	2041	7.40	28	2.10						238	1716	6.22	28	2.50	37kW							45kW							17	19461	85.80	84	0.85	GFA159 GFAF159 GF159 GFF159	4P	54	7605	27.57	31	0.95			GFA109 GFAF109 GF109 GFF109	4P	19	17796	78.46					84	0.95	22			15487	68.28	84	1.10	25	13665	60.25	83	1.25	28	11849	52.24	82			1.45	32	10542	46.48	81			1.60			37	9086	40.06	80	1.85					45	7383	32.55	77			2.30	54	6260			27.60	75	2.70	27	12531			55.25	58	0.90	59	6935	25.14	31	1.05	30	11057			48.75	58	1.00	68	6003	21.76	32	1.25	35	9549	42.10	57			1.20	77	5296	19.20	32			1.40	40	8446			37.24	56	1.35	89	4574	16.58	32	1.60	47	7097	31.29	56	1.60	101	4047	14.67	31	1.80	59	5734	25.28	55	1.95	120	3401	12.33	31	1.95	55	6088	26.84	54	1.30	149	2747	9.96	30	2.20	60			5566	24.54	53	1.45	153	2673	9.69	29	1.75			69	4842	21.35	52	2.30	177	2309	8.37	29	1.95	79	4273	18.84	51	2.40	200	2041	7.40	28	2.10						238	1716	6.22	28	2.50																																																																																																																																																																																																																																																															
47	8631	31.29	53	1.30	59	6974	25.28	53	1.60			55	7404	26.84	53	1.10	60	6769	24.54			53	1.20	69	5889	21.35	52	1.90	79	5197	18.84			51	2.00	91	4507	16.34	50	2.30	79			5197	18.84	51	2.00	102	4011	14.54	49	2.60	91	4507	16.34	50	2.30	118	3456	12.53	48	2.70	102	4011	14.54	49	2.60	145	2808	10.18	46	3.20	118	3456	12.53	48	2.70	167	2447	8.87	44	2.70	145	2808	10.18	46	3.20	188	2176	7.89	43	2.60	167	2447	8.87	44	2.70	218	1876	6.80	42	3.50	188	2176	7.89	43	2.60	268	1525	5.53	40	3.70	218	1876	6.80	42	3.50	54	7605	27.57	31	0.95	268	1525	5.53	40	3.70	59	6935	25.14	31	1.05	54	7605	27.57	31	0.95	68	6003	21.76	32	1.25	59	6935	25.14	31	1.05	77	5296	19.20	32	1.40	68	6003	21.76	32	1.25	89	4574	16.58	32	1.60	77	5296	19.20	32	1.40	101	4047	14.67	31	1.80	89	4574	16.58	32	1.60	120	3401	12.33	31	1.95	101	4047	14.67	31	1.80	149	2747	9.96	30	2.20	120	3401	12.33	31	1.95	153	2673	9.69	29	1.75	149	2747	9.96	30	2.20	177	2309	8.37	29	1.95	153	2673	9.69	29	1.75	200	2041	7.40	28	2.10	177	2309	8.37	29	1.95	238	1716	6.22	28	2.50	200	2041	7.40	28	2.10						238	1716	6.22	28	2.50	37kW							45kW							17	19461	85.80	84	0.85	GFA159 GFAF159 GF159 GFF159	4P	54	7605	27.57	31	0.95			GFA109 GFAF109 GF109 GFF109	4P	19	17796	78.46					84	0.95	22					15487	68.28	84			1.10	25	13665	60.25	83	1.25	28	11849	52.24	82	1.45	32	10542			46.48	81	1.60	37	9086			40.06			80	1.85	45	7383	32.55					77	2.30	54	6260			27.60	75	2.70	27	12531	55.25	58	0.90	59	6935			25.14	31	1.05	30	11057	48.75	58	1.00	68	6003			21.76	32	1.25	35	9549	42.10	57	1.20	77	5296	19.20	32			1.40	40	8446	37.24	56			1.35	89	4574			16.58	32	1.60	47	7097	31.29	56	1.60	101	4047	14.67	31	1.80	59	5734	25.28	55	1.95	120	3401	12.33	31	1.95	55	6088	26.84	54	1.30	149	2747	9.96	30	2.20	60	5566	24.54	53	1.45	153			2673	9.69	29	1.75	69	4842	21.35	52	2.30	177	2309	8.37	29	1.95	79	4273	18.84	51	2.40	200	2041	7.40	28	2.10						238	1716	6.22	28	2.50																																																																																																																																																																																																																																																																						
59	6974	25.28	53	1.60	55	7404	26.84	53	1.10			60	6769	24.54	53	1.20	69	5889	21.35			52	1.90	79	5197	18.84	51	2.00	91	4507	16.34			50	2.30	79	5197	18.84	51	2.00	102	4011	14.54	49	2.60	91	4507	16.34	50	2.30	118	3456	12.53	48	2.70	102	4011	14.54	49	2.60	145	2808	10.18	46	3.20	118	3456	12.53	48	2.70	167	2447	8.87	44	2.70	145	2808	10.18	46	3.20	188	2176	7.89	43	2.60	167	2447	8.87	44	2.70	218	1876	6.80	42	3.50	188	2176	7.89	43	2.60	268	1525	5.53	40	3.70	218	1876	6.80	42	3.50	54	7605	27.57	31	0.95	268	1525	5.53	40	3.70	59	6935	25.14	31	1.05	54	7605	27.57	31	0.95	68	6003	21.76	32	1.25	59	6935	25.14	31	1.05	77	5296	19.20	32	1.40	68	6003	21.76	32	1.25	89	4574	16.58	32	1.60	77	5296	19.20	32	1.40	101	4047	14.67	31	1.80	89	4574	16.58	32	1.60	120	3401	12.33	31	1.95	101	4047	14.67	31	1.80	149	2747	9.96	30	2.20	120	3401	12.33	31	1.95	153	2673	9.69	29	1.75	149	2747	9.96	30	2.20	177	2309	8.37	29	1.95	153	2673	9.69	29	1.75	200	2041	7.40	28	2.10	177	2309	8.37	29	1.95	238	1716	6.22	28	2.50	200	2041	7.40	28	2.10						238	1716	6.22	28	2.50	37kW							45kW							17	19461	85.80	84	0.85	GFA159 GFAF159 GF159 GFF159	4P	54	7605	27.57	31	0.95			GFA109 GFAF109 GF109 GFF109	4P	19	17796	78.46					84	0.95	22					15487	68.28	84					1.10	25	13665			60.25	83	1.25	28	11849	52.24	82	1.45	32	10542	46.48	81	1.60			37	9086	40.06	80	1.85			45			7383	32.55	77	2.30	54		6260	27.60		75	2.70	27	12531			55.25	58	0.90	59	6935	25.14	31	1.05	30	11057			48.75	58	1.00	68	6003	21.76	32	1.25	35	9549			42.10	57	1.20	77	5296	19.20	32	1.40	40	8446	37.24	56			1.35	89	4574	16.58	32			1.60	47	7097			31.29	56	1.60	101	4047	14.67	31	1.80	59	5734	25.28	55	1.95	120	3401	12.33	31	1.95	55	6088	26.84	54	1.30	149	2747	9.96	30	2.20	60	5566	24.54	53	1.45	153	2673	9.69	29	1.75	69	4842	21.35	52	2.30	177	2309	8.37	29	1.95	79	4273	18.84	51	2.40	200	2041	7.40	28	2.10						238	1716	6.22	28	2.50																																																																																																																																																																																																																																																																													
55	7404	26.84	53	1.10	60	6769	24.54	53	1.20			69	5889	21.35	52	1.90	79	5197	18.84			51	2.00	91	4507	16.34	50	2.30	79	5197	18.84	51	2.00	102	4011	14.54	49	2.60	91	4507	16.34	50	2.30	118	3456	12.53	48	2.70	102	4011	14.54	49	2.60	145	2808	10.18	46	3.20	118	3456	12.53	48	2.70	167	2447	8.87	44	2.70	145	2808	10.18	46	3.20	188	2176	7.89	43	2.60	167	2447	8.87	44	2.70	218	1876	6.80	42	3.50	188	2176	7.89	43	2.60	268	1525	5.53	40	3.70	218	1876	6.80	42	3.50	54	7605	27.57	31	0.95	268	1525	5.53	40	3.70	59	6935	25.14	31	1.05	54	7605	27.57	31	0.95	68	6003	21.76	32	1.25	59	6935	25.14	31	1.05	77	5296	19.20	32	1.40	68	6003	21.76	32	1.25	89	4574	16.58	32	1.60	77	5296	19.20	32	1.40	101	4047	14.67	31	1.80	89	4574	16.58	32	1.60	120	3401	12.33	31	1.95	101	4047	14.67	31	1.80	149	2747	9.96	30	2.20	120	3401	12.33	31	1.95	153	2673	9.69	29	1.75	149	2747	9.96	30	2.20	177	2309	8.37	29	1.95	153	2673	9.69	29	1.75	200	2041	7.40	28	2.10	177	2309	8.37	29	1.95	238	1716	6.22	28	2.50	200	2041	7.40	28	2.10						238	1716	6.22	28	2.50	37kW							45kW							17	19461	85.80	84	0.85	GFA159 GFAF159 GF159 GFF159	4P	54	7605	27.57	31	0.95			GFA109 GFAF109 GF109 GFF109	4P	19	17796	78.46					84	0.95	22					15487	68.28	84					1.10	25	13665					60.25	83	1.25			28	11849	52.24	82	1.45	32	10542	46.48	81	1.60	37	9086	40.06			80	1.85	45	7383	32.55			77	2.30	54	6260	27.60	75	2.70	27		12531	55.25		58	0.90	59	6935			25.14	31	1.05	30	11057	48.75	58	1.00	68	6003			21.76	32	1.25	35	9549	42.10	57	1.20	77	5296			19.20	32	1.40	40	8446	37.24	56	1.35	89	4574	16.58	32			1.60	47	7097	31.29	56			1.60	101	4047			14.67	31	1.80	59	5734	25.28	55	1.95	120	3401	12.33	31	1.95	55	6088	26.84	54	1.30	149	2747	9.96	30	2.20	60	5566	24.54	53	1.45	153	2673	9.69	29	1.75	69	4842	21.35	52	2.30	177	2309	8.37	29	1.95	79	4273	18.84	51	2.40	200	2041	7.40	28	2.10						238	1716	6.22	28	2.50																																																																																																																																																																																																																																																																																		
60	6769	24.54	53	1.20	69	5889	21.35	52	1.90			79	5197	18.84	51	2.00	91	4507	16.34	50	2.30	79	5197	18.84	51	2.00	102	4011	14.54	49	2.60	91	4507	16.34	50	2.30	118	3456	12.53	48	2.70	102	4011	14.54	49	2.60	145	2808	10.18	46	3.20	118	3456	12.53	48	2.70	167	2447	8.87	44	2.70	145	2808	10.18	46	3.20	188	2176	7.89	43	2.60	167	2447	8.87	44	2.70	218	1876	6.80	42	3.50	188	2176	7.89	43	2.60	268	1525	5.53	40	3.70	218	1876	6.80	42	3.50	54	7605	27.57	31	0.95	268	1525	5.53	40	3.70	59	6935	25.14	31	1.05	54	7605	27.57	31	0.95	68	6003	21.76	32	1.25	59	6935	25.14	31	1.05	77	5296	19.20	32	1.40	68	6003	21.76	32	1.25	89	4574	16.58	32	1.60	77	5296	19.20	32	1.40	101	4047	14.67	31	1.80	89	4574	16.58	32	1.60	120	3401	12.33	31	1.95	101	4047	14.67	31	1.80	149	2747	9.96	30	2.20	120	3401	12.33	31	1.95	153	2673	9.69	29	1.75	149	2747	9.96	30	2.20	177	2309	8.37	29	1.95	153	2673	9.69	29	1.75	200	2041	7.40	28	2.10	177	2309	8.37	29	1.95	238	1716	6.22	28	2.50	200	2041	7.40	28	2.10						238	1716	6.22	28	2.50	37kW							45kW							17	19461	85.80	84	0.85	GFA159 GFAF159 GF159 GFF159	4P	54	7605	27.57	31	0.95			GFA109 GFAF109 GF109 GFF109	4P	19	17796	78.46					84	0.95	22					15487	68.28	84					1.10	25	13665					60.25	83	1.25					28	11849	52.24			82	1.45	32	10542	46.48	81	1.60	37	9086	40.06	80	1.85	45	7383	32.55	77	2.30	54	6260	27.60			75	2.70	27	12531	55.25	58	0.90	59		6935	25.14		31	1.05	30	11057			48.75	58	1.00	68	6003	21.76	32	1.25	35	9549			42.10	57	1.20	77	5296	19.20	32	1.40	40	8446			37.24	56	1.35	89	4574	16.58	32	1.60	47	7097	31.29	56			1.60	101	4047	14.67	31			1.80	59	5734			25.28	55	1.95	120	3401	12.33	31	1.95	55	6088	26.84	54	1.30	149	2747	9.96	30	2.20	60	5566	24.54	53	1.45	153	2673	9.69	29	1.75	69	4842	21.35	52	2.30	177	2309	8.37	29	1.95	79	4273	18.84	51	2.40	200	2041	7.40	28	2.10						238	1716	6.22	28	2.50																																																																																																																																																																																																																																																																																							
69	5889	21.35	52	1.90	79	5197	18.84	51	2.00	91	4507	16.34	50	2.30	79	5197	18.84	51	2.00	102	4011	14.54	49	2.60	91	4507	16.34	50	2.30	118	3456	12.53	48	2.70	102	4011	14.54	49	2.60	145	2808	10.18	46	3.20	118	3456	12.53	48	2.70	167	2447	8.87	44	2.70	145	2808	10.18	46	3.20	188	2176	7.89	43	2.60	167	2447	8.87	44	2.70	218	1876	6.80	42	3.50	188	2176	7.89	43	2.60	268	1525	5.53	40	3.70	218	1876	6.80	42	3.50	54	7605	27.57	31	0.95	268	1525	5.53	40	3.70	59	6935	25.14	31	1.05	54	7605	27.57	31	0.95	68	6003	21.76	32	1.25	59	6935	25.14	31	1.05	77	5296	19.20	32	1.40	68	6003	21.76	32	1.25	89	4574	16.58	32	1.60	77	5296	19.20	32	1.40	101	4047	14.67	31	1.80	89	4574	16.58	32	1.60	120	3401	12.33	31	1.95	101	4047	14.67	31	1.80	149	2747	9.96	30	2.20	120	3401	12.33	31	1.95	153	2673	9.69	29	1.75	149	2747	9.96	30	2.20	177	2309	8.37	29	1.95	153	2673	9.69	29	1.75	200	2041	7.40	28	2.10	177	2309	8.37	29	1.95	238	1716	6.22	28	2.50	200	2041	7.40	28	2.10						238	1716	6.22	28	2.50	37kW							45kW							17	19461	85.80	84	0.85	GFA159 GFAF159 GF159 GFF159	4P	54	7605	27.57	31	0.95			GFA109 GFAF109 GF109 GFF109	4P	19	17796	78.46					84	0.95	22					15487	68.28	84					1.10	25	13665					60.25	83	1.25					28	11849	52.24					82	1.45	32			10542	46.48	81	1.60	37	9086	40.06	80	1.85	45	7383	32.55	77	2.30	54	6260	27.60	75	2.70	27			12531	55.25	58	0.90	59	6935	25.14	31		1.05	30		11057	48.75	58	1.00			68	6003	21.76	32	1.25	35	9549	42.10	57	1.20			77	5296	19.20	32	1.40	40	8446	37.24	56	1.35			89	4574	16.58	32	1.60	47	7097	31.29	56	1.60	101	4047			14.67	31	1.80	59	5734			25.28	55	1.95	120	3401	12.33	31	1.95	55	6088	26.84	54	1.30	149	2747	9.96	30	2.20	60	5566	24.54	53	1.45	153	2673	9.69	29	1.75	69	4842	21.35	52	2.30	177	2309	8.37	29	1.95	79	4273	18.84	51	2.40	200	2041	7.40	28	2.10						238	1716	6.22	28	2.50																																																																																																																																																																																																																																																																																												
79	5197	18.84	51	2.00	91	4507	16.34	50	2.30	79	5197	18.84	51	2.00	102	4011	14.54	49	2.60	91	4507	16.34	50	2.30	118	3456	12.53	48	2.70	102	4011	14.54	49	2.60	145	2808	10.18	46	3.20	118	3456	12.53	48	2.70	167	2447	8.87	44	2.70	145	2808	10.18	46	3.20	188	2176	7.89	43	2.60	167	2447	8.87	44	2.70	218	1876	6.80	42	3.50	188	2176	7.89	43	2.60	268	1525	5.53	40	3.70	218	1876	6.80	42	3.50	54	7605	27.57	31	0.95	268	1525	5.53	40	3.70	59	6935	25.14	31	1.05	54	7605	27.57	31	0.95	68	6003	21.76	32	1.25	59	6935	25.14	31	1.05	77	5296	19.20	32	1.40	68	6003	21.76	32	1.25	89	4574	16.58	32	1.60	77	5296	19.20	32	1.40	101	4047	14.67	31	1.80	89	4574	16.58	32	1.60	120	3401	12.33	31	1.95	101	4047	14.67	31	1.80	149	2747	9.96	30	2.20	120	3401	12.33	31	1.95	153	2673	9.69	29	1.75	149	2747	9.96	30	2.20	177	2309	8.37	29	1.95	153	2673	9.69	29	1.75	200	2041	7.40	28	2.10	177	2309	8.37	29	1.95	238	1716	6.22	28	2.50	200	2041	7.40	28	2.10						238	1716	6.22	28	2.50	37kW							45kW							17	19461	85.80	84	0.85	GFA159 GFAF159 GF159 GFF159	4P	54	7605	27.57			31	0.95	GFA109 GFAF109 GF109 GFF109	4P	19					17796	78.46	84					0.95	22	15487					68.28	84	1.10					25	13665	60.25					83	1.25	28					11849	52.24	82	1.45	32			10542	46.48	81			1.60	37	9086	40.06	80	1.85	45	7383	32.55	77	2.30	54	6260	27.60	75	2.70	27	12531	55.25	58			0.90	59	6935	25.14	31	1.05	30	11057		48.75	58		1.00	68	6003	21.76			32	1.25	35	9549	42.10	57	1.20	77	5296	19.20			32	1.40	40	8446	37.24	56	1.35	89	4574	16.58			32	1.60	47	7097	31.29	56	1.60	101	4047	14.67	31	1.80			59	5734	25.28	55	1.95	120	3401	12.33	31	1.95	55	6088	26.84	54	1.30	149	2747	9.96	30	2.20	60	5566	24.54	53	1.45	153	2673	9.69	29	1.75	69	4842	21.35	52	2.30	177	2309	8.37	29	1.95	79	4273	18.84	51	2.40	200	2041	7.40	28	2.10						238	1716	6.22	28	2.50																																																																																																																																																																																																																																																																																																	
91	4507	16.34	50	2.30	79	5197	18.84	51	2.00	102	4011	14.54	49	2.60	91	4507	16.34	50	2.30	118	3456	12.53	48	2.70	102	4011	14.54	49	2.60	145	2808	10.18	46	3.20	118	3456	12.53	48	2.70	167	2447	8.87	44	2.70	145	2808	10.18	46	3.20	188	2176	7.89	43	2.60	167	2447	8.87	44	2.70	218	1876	6.80	42	3.50	188	2176	7.89	43	2.60	268	1525	5.53	40	3.70	218	1876	6.80	42	3.50	54	7605	27.57	31	0.95	268	1525	5.53	40	3.70	59	6935	25.14	31	1.05	54	7605	27.57	31	0.95	68	6003	21.76	32	1.25	59	6935	25.14	31	1.05	77	5296	19.20	32	1.40	68	6003	21.76	32	1.25	89	4574	16.58	32	1.60	77	5296	19.20	32	1.40	101	4047	14.67	31	1.80	89	4574	16.58	32	1.60	120	3401	12.33	31	1.95	101	4047	14.67	31	1.80	149	2747	9.96	30	2.20	120	3401	12.33	31	1.95	153	2673	9.69	29	1.75	149	2747	9.96	30	2.20	177	2309	8.37	29	1.95	153	2673	9.69	29	1.75	200	2041	7.40	28	2.10	177	2309	8.37	29	1.95	238	1716	6.22	28	2.50	200	2041	7.40	28	2.10						238	1716	6.22	28	2.50	37kW							45kW							17	19461	85.80	84	0.85	GFA159 GFAF159 GF159 GFF159	4P	54	7605	27.57			31	0.95	GFA109 GFAF109 GF109 GFF109			4P	19			17796					78.46	84	0.95					22	15487	68.28					84	1.10	25					13665	60.25	83					1.25	28	11849	52.24	82			1.45	32	10542	46.48	81			1.60	37	9086			40.06	80	1.85	45	7383	32.55	77	2.30	54	6260	27.60	75	2.70	27	12531	55.25	58	0.90	59	6935			25.14	31	1.05	30	11057	48.75	58	1.00		68	6003		21.76	32	1.25	35			9549	42.10	57	1.20	77	5296	19.20	32	1.40	40			8446	37.24	56	1.35	89	4574	16.58	32	1.60	47			7097	31.29	56	1.60	101	4047	14.67	31	1.80	59	5734	25.28	55	1.95	120	3401	12.33	31	1.95	55	6088	26.84	54	1.30	149	2747	9.96	30	2.20	60	5566	24.54	53	1.45	153	2673	9.69	29	1.75	69	4842	21.35	52	2.30	177	2309	8.37	29	1.95	79	4273	18.84	51	2.40	200	2041	7.40	28	2.10						238	1716	6.22	28	2.50																																																																																																																																																																																																																																																																																																						
102	4011	14.54	49	2.60	91	4507	16.34	50	2.30	118	3456	12.53	48	2.70	102	4011	14.54	49	2.60	145	2808	10.18	46	3.20	118	3456	12.53	48	2.70	167	2447	8.87	44	2.70	145	2808	10.18	46	3.20	188	2176	7.89	43	2.60	167	2447	8.87	44	2.70	218	1876	6.80	42	3.50	188	2176	7.89	43	2.60	268	1525	5.53	40	3.70	218	1876	6.80	42	3.50	54	7605	27.57	31	0.95	268	1525	5.53	40	3.70	59	6935	25.14	31	1.05	54	7605	27.57	31	0.95	68	6003	21.76	32	1.25	59	6935	25.14	31	1.05	77	5296	19.20	32	1.40	68	6003	21.76	32	1.25	89	4574	16.58	32	1.60	77	5296	19.20	32	1.40	101	4047	14.67	31	1.80	89	4574	16.58	32	1.60	120	3401	12.33	31	1.95	101	4047	14.67	31	1.80	149	2747	9.96	30	2.20	120	3401	12.33	31	1.95	153	2673	9.69	29	1.75	149	2747	9.96	30	2.20	177	2309	8.37	29	1.95	153	2673	9.69	29	1.75	200	2041	7.40	28	2.10	177	2309	8.37	29	1.95	238	1716	6.22	28	2.50	200	2041	7.40	28	2.10						238	1716	6.22	28	2.50	37kW							45kW							17	19461	85.80	84	0.85	GFA159 GFAF159 GF159 GFF159	4P	54	7605	27.57	31	0.95	GFA109 GFAF109 GF109 GFF109	4P	19			17796	78.46	84			0.95	22					15487			68.28					84	1.10	25					13665	60.25	83					1.25	28	11849					52.24	82	1.45	32	10542			46.48	81	1.60	37	9086			40.06	80	1.85	45	7383			32.55	77	2.30			54	6260	27.60	75	2.70	27	12531	55.25	58	0.90	59	6935	25.14	31	1.05	30	11057	48.75	58	1.00			68	6003	21.76	32	1.25	35	9549	42.10		57	1.20		77	5296	19.20	32			1.40	40	8446	37.24	56	1.35	89	4574	16.58	32			1.60	47	7097	31.29	56	1.60	101	4047	14.67	31	1.80	59	5734	25.28	55	1.95	120	3401	12.33	31	1.95	55	6088	26.84	54	1.30	149	2747	9.96	30	2.20	60	5566	24.54	53	1.45	153	2673	9.69	29	1.75	69	4842	21.35	52	2.30	177	2309	8.37	29	1.95	79	4273	18.84	51	2.40	200	2041	7.40	28	2.10						238	1716	6.22	28	2.50																																																																																																																																																																																																																																																																																																																
118	3456	12.53	48	2.70	102	4011	14.54	49	2.60	145	2808	10.18	46	3.20	118	3456	12.53	48	2.70	167	2447	8.87	44	2.70	145	2808	10.18	46	3.20	188	2176	7.89	43	2.60	167	2447	8.87	44	2.70	218	1876	6.80	42	3.50	188	2176	7.89	43	2.60	268	1525	5.53	40	3.70	218	1876	6.80	42	3.50	54	7605	27.57	31	0.95	268	1525	5.53	40	3.70	59	6935	25.14	31	1.05	54	7605	27.57	31	0.95	68	6003	21.76	32	1.25	59	6935	25.14	31	1.05	77	5296	19.20	32	1.40	68	6003	21.76	32	1.25	89	4574	16.58	32	1.60	77	5296	19.20	32	1.40	101	4047	14.67	31	1.80	89	4574	16.58	32	1.60	120	3401	12.33	31	1.95	101	4047	14.67	31	1.80	149	2747	9.96	30	2.20	120	3401	12.33	31	1.95	153	2673	9.69	29	1.75	149	2747	9.96	30	2.20	177	2309	8.37	29	1.95	153	2673	9.69	29	1.75	200	2041	7.40	28	2.10	177	2309	8.37	29	1.95	238	1716	6.22	28	2.50	200	2041	7.40	28	2.10						238	1716	6.22	28	2.50	37kW							45kW							17	19461	85.80	84	0.85	GFA159 GFAF159 GF159 GFF159	4P	54	7605	27.57	31	0.95	GFA109 GFAF109 GF109 GFF109	4P	19			17796	78.46	84	0.95	22			15487			68.28	84	1.10			25	13665					60.25			83					1.25	28	11849					52.24	82	1.45					32	10542	46.48	81	1.60			37	9086	40.06	80	1.85			45	7383	32.55	77	2.30			54	6260	27.60	75	2.70			27	12531	55.25			58	0.90	59	6935	25.14	31	1.05	30	11057	48.75	58	1.00	68	6003	21.76	32	1.25	35	9549	42.10			57	1.20	77	5296	19.20	32	1.40	40		8446	37.24		56	1.35	89	4574			16.58	32	1.60	47	7097	31.29	56	1.60	101	4047	14.67	31	1.80	59	5734	25.28	55	1.95	120	3401	12.33	31	1.95	55	6088	26.84	54	1.30	149	2747	9.96	30	2.20	60	5566	24.54	53	1.45	153	2673	9.69	29	1.75	69	4842	21.35	52	2.30	177	2309	8.37	29	1.95	79	4273	18.84	51	2.40	200	2041	7.40	28	2.10						238	1716	6.22	28	2.50																																																																																																																																																																																																																																																																																																																										
145	2808	10.18	46	3.20	118	3456	12.53	48	2.70	167	2447	8.87	44	2.70	145	2808	10.18	46	3.20	188	2176	7.89	43	2.60	167	2447	8.87	44	2.70	218	1876	6.80	42	3.50	188	2176	7.89	43	2.60	268	1525	5.53	40	3.70	218	1876	6.80	42	3.50	54	7605	27.57	31	0.95	268	1525	5.53	40	3.70	59	6935	25.14	31	1.05	54	7605	27.57	31	0.95	68	6003	21.76	32	1.25	59	6935	25.14	31	1.05	77	5296	19.20	32	1.40	68	6003	21.76	32	1.25	89	4574	16.58	32	1.60	77	5296	19.20	32	1.40	101	4047	14.67	31	1.80	89	4574	16.58	32	1.60	120	3401	12.33	31	1.95	101	4047	14.67	31	1.80	149	2747	9.96	30	2.20	120	3401	12.33	31	1.95	153	2673	9.69	29	1.75	149	2747	9.96	30	2.20	177	2309	8.37	29	1.95	153	2673	9.69	29	1.75	200	2041	7.40	28	2.10	177	2309	8.37	29	1.95	238	1716	6.22	28	2.50	200	2041	7.40	28	2.10						238	1716	6.22	28	2.50	37kW							45kW							17	19461	85.80	84	0.85	GFA159 GFAF159 GF159 GFF159	4P	54	7605	27.57	31	0.95	GFA109 GFAF109 GF109 GFF109	4P	19			17796	78.46	84	0.95	22			15487			68.28	84	1.10	25	13665			60.25			83	1.25	28			11849	52.24					82			1.45					32	10542	46.48					81	1.60	37	9086	40.06			80	1.85	45	7383	32.55			77	2.30	54	6260	27.60			75	2.70	27	12531	55.25			58	0.90	59	6935	25.14			31	1.05	30			11057	48.75	58	1.00	68	6003	21.76	32	1.25	35	9549	42.10	57	1.20	77	5296	19.20	32	1.40	40			8446	37.24	56	1.35	89	4574	16.58	32		1.60	47		7097	31.29	56	1.60	101	4047	14.67	31	1.80	59	5734	25.28	55	1.95	120	3401	12.33	31	1.95	55	6088	26.84	54	1.30	149	2747	9.96	30	2.20	60	5566	24.54	53	1.45	153	2673	9.69	29	1.75	69	4842	21.35	52	2.30	177	2309	8.37	29	1.95	79	4273	18.84	51	2.40	200	2041	7.40	28	2.10						238	1716	6.22	28	2.50																																																																																																																																																																																																																																																																																																																																				
167	2447	8.87	44	2.70	145	2808	10.18	46	3.20	188	2176	7.89	43	2.60	167	2447	8.87	44	2.70	218	1876	6.80	42	3.50	188	2176	7.89	43	2.60	268	1525	5.53	40	3.70	218	1876	6.80	42	3.50	54	7605	27.57	31	0.95	268	1525	5.53	40	3.70	59	6935	25.14	31	1.05	54	7605	27.57	31	0.95	68	6003	21.76	32	1.25	59	6935	25.14	31	1.05	77	5296	19.20	32	1.40	68	6003	21.76	32	1.25	89	4574	16.58	32	1.60	77	5296	19.20	32	1.40	101	4047	14.67	31	1.80	89	4574	16.58	32	1.60	120	3401	12.33	31	1.95	101	4047	14.67	31	1.80	149	2747	9.96	30	2.20	120	3401	12.33	31	1.95	153	2673	9.69	29	1.75	149	2747	9.96	30	2.20	177	2309	8.37	29	1.95	153	2673	9.69	29	1.75	200	2041	7.40	28	2.10	177	2309	8.37	29	1.95	238	1716	6.22	28	2.50	200	2041	7.40	28	2.10						238	1716	6.22	28	2.50	37kW							45kW							17	19461	85.80	84	0.85	GFA159 GFAF159 GF159 GFF159	4P	54	7605	27.57	31	0.95	GFA109 GFAF109 GF109 GFF109	4P	19			17796	78.46	84	0.95	22			15487			68.28	84	1.10	25	13665			60.25			83	1.25	28	11849	52.24			82			1.45	32	10542			46.48	81					1.60			37					9086	40.06	80	1.85	45			7383	32.55	77	2.30	54			6260	27.60	75	2.70	27			12531	55.25	58	0.90	59			6935	25.14	31	1.05	30			11057	48.75	58	1.00	68			6003	21.76	32			1.25	35	9549	42.10	57	1.20	77	5296	19.20	32	1.40	40	8446	37.24	56	1.35	89	4574	16.58	32			1.60	47	7097	31.29	56	1.60	101	4047	14.67	31	1.80	59	5734	25.28	55	1.95	120	3401	12.33	31	1.95	55	6088	26.84	54	1.30	149	2747	9.96	30	2.20	60	5566	24.54	53	1.45	153	2673	9.69	29	1.75	69	4842	21.35	52	2.30	177	2309	8.37	29	1.95	79	4273	18.84	51	2.40	200	2041	7.40	28	2.10						238	1716	6.22	28	2.50																																																																																																																																																																																																																																																																																																																																														
188	2176	7.89	43	2.60	167	2447	8.87	44	2.70	218	1876	6.80	42	3.50	188	2176	7.89	43	2.60	268	1525	5.53	40	3.70	218	1876	6.80	42	3.50	54	7605	27.57	31	0.95	268	1525	5.53	40	3.70	59	6935	25.14	31	1.05	54	7605	27.57	31	0.95	68	6003	21.76	32	1.25	59	6935	25.14	31	1.05	77	5296	19.20	32	1.40	68	6003	21.76	32	1.25	89	4574	16.58	32	1.60	77	5296	19.20	32	1.40	101	4047	14.67	31	1.80	89	4574	16.58	32	1.60	120	3401	12.33	31	1.95	101	4047	14.67	31	1.80	149	2747	9.96	30	2.20	120	3401	12.33	31	1.95	153	2673	9.69	29	1.75	149	2747	9.96	30	2.20	177	2309	8.37	29	1.95	153	2673	9.69	29	1.75	200	2041	7.40	28	2.10	177	2309	8.37	29	1.95	238	1716	6.22	28	2.50	200	2041	7.40	28	2.10						238	1716	6.22	28	2.50	37kW							45kW							17	19461	85.80	84	0.85	GFA159 GFAF159 GF159 GFF159	4P	54	7605	27.57	31	0.95	GFA109 GFAF109 GF109 GFF109	4P	19			17796	78.46	84	0.95	22			15487			68.28	84	1.10	25	13665			60.25			83	1.25	28	11849	52.24			82			1.45	32	10542	46.48	81			1.60			37	9086	40.06			80	1.85					45			7383	32.55	77			2.30	54	6260	27.60	75			2.70	27	12531	55.25	58			0.90	59	6935	25.14	31			1.05	30	11057	48.75	58			1.00	68	6003	21.76	32			1.25	35	9549	42.10	57			1.20	77	5296			19.20	32	1.40	40	8446	37.24	56	1.35	89	4574	16.58	32	1.60	47	7097	31.29	56	1.60	101	4047	14.67	31	1.80	59	5734	25.28	55	1.95	120	3401	12.33	31	1.95	55	6088	26.84	54	1.30	149	2747	9.96	30	2.20	60	5566	24.54	53	1.45	153	2673	9.69	29	1.75	69	4842	21.35	52	2.30	177	2309	8.37	29	1.95	79	4273	18.84	51	2.40	200	2041	7.40	28	2.10						238	1716	6.22	28	2.50																																																																																																																																																																																																																																																																																																																																																								
218	1876	6.80	42	3.50	188	2176	7.89	43	2.60	268	1525	5.53	40	3.70	218	1876	6.80	42	3.50	54	7605	27.57	31	0.95	268	1525	5.53	40	3.70	59	6935	25.14	31	1.05	54	7605	27.57	31	0.95	68	6003	21.76	32	1.25	59	6935	25.14	31	1.05	77	5296	19.20	32	1.40	68	6003	21.76	32	1.25	89	4574	16.58	32	1.60	77	5296	19.20	32	1.40	101	4047	14.67	31	1.80	89	4574	16.58	32	1.60	120	3401	12.33	31	1.95	101	4047	14.67	31	1.80	149	2747	9.96	30	2.20	120	3401	12.33	31	1.95	153	2673	9.69	29	1.75	149	2747	9.96	30	2.20	177	2309	8.37	29	1.95	153	2673	9.69	29	1.75	200	2041	7.40	28	2.10	177	2309	8.37	29	1.95	238	1716	6.22	28	2.50	200	2041	7.40	28	2.10						238	1716	6.22	28	2.50	37kW							45kW							17	19461	85.80	84	0.85	GFA159 GFAF159 GF159 GFF159	4P	54	7605	27.57	31	0.95	GFA109 GFAF109 GF109 GFF109	4P	19			17796	78.46	84	0.95	22			15487			68.28	84	1.10	25	13665			60.25			83	1.25	28	11849	52.24			82			1.45	32	10542	46.48	81			1.60			37	9086	40.06	80	1.85			45			7383	32.55	77			2.30	54		6260	27.60		75			2.70	27	12531			55.25	58	0.90	59	6935			25.14	31	1.05	30	11057			48.75	58	1.00	68	6003			21.76	32	1.25	35	9549			42.10	57	1.20	77	5296			19.20	32	1.40	40	8446			37.24	56	1.35			89	4574	16.58	32	1.60	47	7097	31.29	56	1.60	101	4047	14.67	31	1.80	59	5734	25.28	55	1.95	120	3401	12.33	31	1.95	55	6088	26.84	54	1.30	149	2747	9.96	30	2.20	60	5566	24.54	53	1.45	153	2673	9.69	29	1.75	69	4842	21.35	52	2.30	177	2309	8.37	29	1.95	79	4273	18.84	51	2.40	200	2041	7.40	28	2.10						238	1716	6.22	28	2.50																																																																																																																																																																																																																																																																																																																																																																
268	1525	5.53	40	3.70	218	1876	6.80	42	3.50	54	7605	27.57	31	0.95	268	1525	5.53	40	3.70	59	6935	25.14	31	1.05	54	7605	27.57	31	0.95	68	6003	21.76	32	1.25	59	6935	25.14	31	1.05	77	5296	19.20	32	1.40	68	6003	21.76	32	1.25	89	4574	16.58	32	1.60	77	5296	19.20	32	1.40	101	4047	14.67	31	1.80	89	4574	16.58	32	1.60	120	3401	12.33	31	1.95	101	4047	14.67	31	1.80	149	2747	9.96	30	2.20	120	3401	12.33	31	1.95	153	2673	9.69	29	1.75	149	2747	9.96	30	2.20	177	2309	8.37	29	1.95	153	2673	9.69	29	1.75	200	2041	7.40	28	2.10	177	2309	8.37	29	1.95	238	1716	6.22	28	2.50	200	2041	7.40	28	2.10						238	1716	6.22	28	2.50	37kW							45kW							17	19461	85.80	84	0.85	GFA159 GFAF159 GF159 GFF159	4P	54	7605	27.57	31	0.95	GFA109 GFAF109 GF109 GFF109	4P	19			17796	78.46	84	0.95	22			15487			68.28	84	1.10	25	13665			60.25			83	1.25	28	11849	52.24			82			1.45	32	10542	46.48	81			1.60			37	9086	40.06	80	1.85			45			7383	32.55	77	2.30	54			6260			27.60	75	2.70	27	12531	55.25	58		0.90	59		6935			25.14	31	1.05			30	11057	48.75	58	1.00			68	6003	21.76	32	1.25			35	9549	42.10	57	1.20			77	5296	19.20	32	1.40			40	8446	37.24	56	1.35			89	4574	16.58	32	1.60			47	7097	31.29	56	1.60	101	4047	14.67	31	1.80	59	5734	25.28	55	1.95	120	3401	12.33	31	1.95	55	6088	26.84	54	1.30	149	2747	9.96	30	2.20	60	5566	24.54	53	1.45	153	2673	9.69	29	1.75	69	4842	21.35	52	2.30	177	2309	8.37	29	1.95	79	4273	18.84	51	2.40	200	2041	7.40	28	2.10						238	1716	6.22	28	2.50																																																																																																																																																																																																																																																																																																																																																																										
54	7605	27.57	31	0.95	268	1525	5.53	40	3.70	59	6935	25.14	31	1.05	54	7605	27.57	31	0.95	68	6003	21.76	32	1.25	59	6935	25.14	31	1.05	77	5296	19.20	32	1.40	68	6003	21.76	32	1.25	89	4574	16.58	32	1.60	77	5296	19.20	32	1.40	101	4047	14.67	31	1.80	89	4574	16.58	32	1.60	120	3401	12.33	31	1.95	101	4047	14.67	31	1.80	149	2747	9.96	30	2.20	120	3401	12.33	31	1.95	153	2673	9.69	29	1.75	149	2747	9.96	30	2.20	177	2309	8.37	29	1.95	153	2673	9.69	29	1.75	200	2041	7.40	28	2.10	177	2309	8.37	29	1.95	238	1716	6.22	28	2.50	200	2041	7.40	28	2.10						238	1716	6.22	28	2.50	37kW							45kW							17	19461	85.80	84	0.85	GFA159 GFAF159 GF159 GFF159	4P	54	7605	27.57	31	0.95	GFA109 GFAF109 GF109 GFF109	4P	19			17796	78.46	84	0.95	22			15487			68.28	84	1.10	25	13665			60.25			83	1.25	28	11849	52.24			82			1.45	32	10542	46.48	81			1.60			37	9086	40.06	80	1.85			45			7383	32.55	77	2.30	54			6260			27.60	75	2.70	27	12531			55.25	58	0.90	59	6935	25.14	31	1.05	30	11057		48.75	58		1.00			68	6003	21.76			32	1.25	35	9549	42.10			57	1.20	77	5296	19.20			32	1.40	40	8446	37.24			56	1.35	89	4574	16.58			32	1.60	47	7097	31.29			56	1.60	101	4047	14.67	31	1.80	59	5734	25.28	55	1.95	120	3401	12.33	31	1.95	55	6088	26.84	54	1.30	149	2747	9.96	30	2.20	60	5566	24.54	53	1.45	153	2673	9.69	29	1.75	69	4842	21.35	52	2.30	177	2309	8.37	29	1.95	79	4273	18.84	51	2.40	200	2041	7.40	28	2.10						238	1716	6.22	28	2.50																																																																																																																																																																																																																																																																																																																																																																																				
59	6935	25.14	31	1.05	54	7605	27.57	31	0.95	68	6003	21.76	32	1.25	59	6935	25.14	31	1.05	77	5296	19.20	32	1.40	68	6003	21.76	32	1.25	89	4574	16.58	32	1.60	77	5296	19.20	32	1.40	101	4047	14.67	31	1.80	89	4574	16.58	32	1.60	120	3401	12.33	31	1.95	101	4047	14.67	31	1.80	149	2747	9.96	30	2.20	120	3401	12.33	31	1.95	153	2673	9.69	29	1.75	149	2747	9.96	30	2.20	177	2309	8.37	29	1.95	153	2673	9.69	29	1.75	200	2041	7.40	28	2.10	177	2309	8.37	29	1.95	238	1716	6.22	28	2.50	200	2041	7.40	28	2.10						238	1716	6.22	28	2.50	37kW							45kW							17	19461	85.80	84	0.85	GFA159 GFAF159 GF159 GFF159	4P	54	7605	27.57	31	0.95	GFA109 GFAF109 GF109 GFF109	4P	19			17796	78.46	84	0.95	22			15487			68.28	84	1.10	25	13665			60.25			83	1.25	28	11849	52.24			82			1.45	32	10542	46.48	81			1.60			37	9086	40.06	80	1.85			45			7383	32.55	77	2.30	54			6260			27.60	75	2.70	27	12531			55.25	58	0.90	59	6935	25.14	31	1.05			30	11057	48.75	58	1.00	68	6003	21.76	32	1.25		35	9549		42.10			57	1.20	77			5296	19.20	32	1.40	40			8446	37.24	56	1.35	89			4574	16.58	32	1.60	47			7097	31.29	56	1.60	101			4047	14.67	31	1.80	59	5734	25.28	55	1.95	120	3401	12.33	31	1.95	55	6088	26.84	54	1.30	149	2747	9.96	30	2.20	60	5566	24.54	53	1.45	153	2673	9.69	29	1.75	69	4842	21.35	52	2.30	177	2309	8.37	29	1.95	79	4273	18.84	51	2.40	200	2041	7.40	28	2.10						238	1716	6.22	28	2.50																																																																																																																																																																																																																																																																																																																																																																																														
68	6003	21.76	32	1.25	59	6935	25.14	31	1.05	77	5296	19.20	32	1.40	68	6003	21.76	32	1.25	89	4574	16.58	32	1.60	77	5296	19.20	32	1.40	101	4047	14.67	31	1.80	89	4574	16.58	32	1.60	120	3401	12.33	31	1.95	101	4047	14.67	31	1.80	149	2747	9.96	30	2.20	120	3401	12.33	31	1.95	153	2673	9.69	29	1.75	149	2747	9.96	30	2.20	177	2309	8.37	29	1.95	153	2673	9.69	29	1.75	200	2041	7.40	28	2.10	177	2309	8.37	29	1.95	238	1716	6.22	28	2.50	200	2041	7.40	28	2.10						238	1716	6.22	28	2.50	37kW							45kW							17	19461	85.80	84	0.85	GFA159 GFAF159 GF159 GFF159	4P	54	7605	27.57	31	0.95	GFA109 GFAF109 GF109 GFF109	4P	19			17796	78.46	84	0.95	22			15487			68.28	84	1.10	25	13665			60.25			83	1.25	28	11849	52.24			82			1.45	32	10542	46.48	81			1.60			37	9086	40.06	80	1.85			45			7383	32.55	77	2.30	54			6260			27.60	75	2.70	27	12531			55.25	58	0.90	59	6935	25.14	31	1.05			30	11057	48.75	58	1.00	68	6003	21.76			32	1.25	35	9549	42.10	57	1.20	77	5296	19.20		32	1.40		40			8446	37.24	56			1.35	89	4574	16.58	32			1.60	47	7097	31.29	56			1.60	101	4047	14.67	31			1.80	59	5734	25.28	55	1.95	120	3401	12.33	31	1.95	55	6088	26.84	54	1.30	149	2747	9.96	30	2.20	60	5566	24.54	53	1.45	153	2673	9.69	29	1.75	69	4842	21.35	52	2.30	177	2309	8.37	29	1.95	79	4273	18.84	51	2.40	200	2041	7.40	28	2.10						238	1716	6.22	28	2.50																																																																																																																																																																																																																																																																																																																																																																																																								
77	5296	19.20	32	1.40	68	6003	21.76	32	1.25	89	4574	16.58	32	1.60	77	5296	19.20	32	1.40	101	4047	14.67	31	1.80	89	4574	16.58	32	1.60	120	3401	12.33	31	1.95	101	4047	14.67	31	1.80	149	2747	9.96	30	2.20	120	3401	12.33	31	1.95	153	2673	9.69	29	1.75	149	2747	9.96	30	2.20	177	2309	8.37	29	1.95	153	2673	9.69	29	1.75	200	2041	7.40	28	2.10	177	2309	8.37	29	1.95	238	1716	6.22	28	2.50	200	2041	7.40	28	2.10						238	1716	6.22	28	2.50	37kW							45kW							17	19461	85.80	84	0.85	GFA159 GFAF159 GF159 GFF159	4P	54	7605	27.57	31	0.95	GFA109 GFAF109 GF109 GFF109	4P	19			17796	78.46	84	0.95	22			15487			68.28	84	1.10	25	13665			60.25			83	1.25	28	11849	52.24			82			1.45	32	10542	46.48	81			1.60			37	9086	40.06	80	1.85			45			7383	32.55	77	2.30	54			6260			27.60	75	2.70	27	12531			55.25	58	0.90	59	6935	25.14	31	1.05			30	11057	48.75	58	1.00	68	6003	21.76			32	1.25	35	9549	42.10	57	1.20	77			5296	19.20	32	1.40	40	8446	37.24	56	1.35	89		4574	16.58		32			1.60	47	7097			31.29	56	1.60	101	4047			14.67	31	1.80	59	5734			25.28	55	1.95	120	3401	12.33	31	1.95	55	6088	26.84	54	1.30	149	2747	9.96	30	2.20	60	5566	24.54	53	1.45	153	2673	9.69	29	1.75	69	4842	21.35	52	2.30	177	2309	8.37	29	1.95	79	4273	18.84	51	2.40	200	2041	7.40	28	2.10						238	1716	6.22	28	2.50																																																																																																																																																																																																																																																																																																																																																																																																																		
89	4574	16.58	32	1.60	77	5296	19.20	32	1.40	101	4047	14.67	31	1.80	89	4574	16.58	32	1.60	120	3401	12.33	31	1.95	101	4047	14.67	31	1.80	149	2747	9.96	30	2.20	120	3401	12.33	31	1.95	153	2673	9.69	29	1.75	149	2747	9.96	30	2.20	177	2309	8.37	29	1.95	153	2673	9.69	29	1.75	200	2041	7.40	28	2.10	177	2309	8.37	29	1.95	238	1716	6.22	28	2.50	200	2041	7.40	28	2.10						238	1716	6.22	28	2.50	37kW							45kW							17	19461	85.80	84	0.85	GFA159 GFAF159 GF159 GFF159	4P	54	7605	27.57	31	0.95	GFA109 GFAF109 GF109 GFF109	4P	19			17796	78.46	84	0.95	22			15487			68.28	84	1.10	25	13665			60.25			83	1.25	28	11849	52.24			82			1.45	32	10542	46.48	81			1.60			37	9086	40.06	80	1.85			45			7383	32.55	77	2.30	54			6260			27.60	75	2.70	27	12531			55.25	58	0.90	59	6935	25.14	31	1.05			30	11057	48.75	58	1.00	68	6003	21.76			32	1.25	35	9549	42.10	57	1.20	77			5296	19.20	32	1.40	40	8446	37.24	56			1.35	89	4574	16.58	32	1.60	47	7097	31.29	56		1.60	101		4047			14.67	31	1.80			59	5734	25.28	55	1.95			120	3401	12.33	31	1.95	55	6088	26.84	54	1.30	149	2747	9.96	30	2.20	60	5566	24.54	53	1.45	153	2673	9.69	29	1.75	69	4842	21.35	52	2.30	177	2309	8.37	29	1.95	79	4273	18.84	51	2.40	200	2041	7.40	28	2.10						238	1716	6.22	28	2.50																																																																																																																																																																																																																																																																																																																																																																																																																												
101	4047	14.67	31	1.80	89	4574	16.58	32	1.60	120	3401	12.33	31	1.95	101	4047	14.67	31	1.80	149	2747	9.96	30	2.20	120	3401	12.33	31	1.95	153	2673	9.69	29	1.75	149	2747	9.96	30	2.20	177	2309	8.37	29	1.95	153	2673	9.69	29	1.75	200	2041	7.40	28	2.10	177	2309	8.37	29	1.95	238	1716	6.22	28	2.50	200	2041	7.40	28	2.10						238	1716	6.22	28	2.50	37kW							45kW							17	19461	85.80	84	0.85	GFA159 GFAF159 GF159 GFF159	4P	54	7605	27.57	31	0.95	GFA109 GFAF109 GF109 GFF109	4P	19			17796	78.46	84	0.95	22			15487			68.28	84	1.10	25	13665			60.25			83	1.25	28	11849	52.24			82			1.45	32	10542	46.48	81			1.60			37	9086	40.06	80	1.85			45			7383	32.55	77	2.30	54			6260			27.60	75	2.70	27	12531			55.25	58	0.90	59	6935	25.14	31	1.05			30	11057	48.75	58	1.00	68	6003	21.76			32	1.25	35	9549	42.10	57	1.20	77			5296	19.20	32	1.40	40	8446	37.24	56			1.35	89	4574	16.58	32	1.60	47	7097			31.29	56	1.60	101	4047	14.67	31	1.80	59	5734		25.28	55		1.95			120	3401	12.33			31	1.95	55	6088	26.84	54	1.30	149	2747	9.96	30	2.20	60	5566	24.54	53	1.45	153	2673	9.69	29	1.75	69	4842	21.35	52	2.30	177	2309	8.37	29	1.95	79	4273	18.84	51	2.40	200	2041	7.40	28	2.10						238	1716	6.22	28	2.50																																																																																																																																																																																																																																																																																																																																																																																																																																						
120	3401	12.33	31	1.95	101	4047	14.67	31	1.80	149	2747	9.96	30	2.20	120	3401	12.33	31	1.95	153	2673	9.69	29	1.75	149	2747	9.96	30	2.20	177	2309	8.37	29	1.95	153	2673	9.69	29	1.75	200	2041	7.40	28	2.10	177	2309	8.37	29	1.95	238	1716	6.22	28	2.50	200	2041	7.40	28	2.10						238	1716	6.22	28	2.50	37kW							45kW							17	19461	85.80	84	0.85	GFA159 GFAF159 GF159 GFF159	4P	54	7605	27.57	31	0.95	GFA109 GFAF109 GF109 GFF109	4P	19			17796	78.46	84	0.95	22			15487			68.28	84	1.10	25	13665			60.25			83	1.25	28	11849	52.24			82			1.45	32	10542	46.48	81			1.60			37	9086	40.06	80	1.85			45			7383	32.55	77	2.30	54			6260			27.60	75	2.70	27	12531			55.25	58	0.90	59	6935	25.14	31	1.05			30	11057	48.75	58	1.00	68	6003	21.76			32	1.25	35	9549	42.10	57	1.20	77			5296	19.20	32	1.40	40	8446	37.24	56			1.35	89	4574	16.58	32	1.60	47	7097			31.29	56	1.60	101	4047	14.67	31	1.80			59	5734	25.28	55	1.95	120	3401	12.33	31	1.95		55	6088		26.84			54	1.30	149	2747	9.96	30	2.20	60	5566	24.54	53	1.45	153	2673	9.69	29	1.75	69	4842	21.35	52	2.30	177	2309	8.37	29	1.95	79	4273	18.84	51	2.40	200	2041	7.40	28	2.10						238	1716	6.22	28	2.50																																																																																																																																																																																																																																																																																																																																																																																																																																																
149	2747	9.96	30	2.20	120	3401	12.33	31	1.95	153	2673	9.69	29	1.75	149	2747	9.96	30	2.20	177	2309	8.37	29	1.95	153	2673	9.69	29	1.75	200	2041	7.40	28	2.10	177	2309	8.37	29	1.95	238	1716	6.22	28	2.50	200	2041	7.40	28	2.10						238	1716	6.22	28	2.50	37kW							45kW							17	19461	85.80	84	0.85	GFA159 GFAF159 GF159 GFF159	4P	54	7605	27.57	31	0.95	GFA109 GFAF109 GF109 GFF109	4P	19			17796	78.46	84	0.95	22			15487			68.28	84	1.10	25	13665			60.25			83	1.25	28	11849	52.24			82			1.45	32	10542	46.48	81			1.60			37	9086	40.06	80	1.85			45			7383	32.55	77	2.30	54			6260			27.60	75	2.70	27	12531			55.25	58	0.90	59	6935	25.14	31	1.05			30	11057	48.75	58	1.00	68	6003	21.76			32	1.25	35	9549	42.10	57	1.20	77			5296	19.20	32	1.40	40	8446	37.24	56			1.35	89	4574	16.58	32	1.60	47	7097			31.29	56	1.60	101	4047	14.67	31	1.80			59	5734	25.28	55	1.95	120	3401	12.33			31	1.95	55	6088	26.84	54	1.30	149	2747	9.96		30	2.20		60	5566	24.54	53	1.45	153	2673	9.69	29	1.75	69	4842	21.35	52	2.30	177	2309	8.37	29	1.95	79	4273	18.84	51	2.40	200	2041	7.40	28	2.10						238	1716	6.22	28	2.50																																																																																																																																																																																																																																																																																																																																																																																																																																																										
153	2673	9.69	29	1.75	149	2747	9.96	30	2.20	177	2309	8.37	29	1.95	153	2673	9.69	29	1.75	200	2041	7.40	28	2.10	177	2309	8.37	29	1.95	238	1716	6.22	28	2.50	200	2041	7.40	28	2.10						238	1716	6.22	28	2.50	37kW							45kW							17	19461	85.80	84	0.85	GFA159 GFAF159 GF159 GFF159	4P	54	7605	27.57	31	0.95	GFA109 GFAF109 GF109 GFF109	4P	19			17796	78.46	84	0.95	22			15487			68.28	84	1.10	25	13665			60.25			83	1.25	28	11849	52.24			82			1.45	32	10542	46.48	81			1.60			37	9086	40.06	80	1.85			45			7383	32.55	77	2.30	54			6260			27.60	75	2.70	27	12531			55.25	58	0.90	59	6935	25.14	31	1.05			30	11057	48.75	58	1.00	68	6003	21.76			32	1.25	35	9549	42.10	57	1.20	77			5296	19.20	32	1.40	40	8446	37.24	56			1.35	89	4574	16.58	32	1.60	47	7097			31.29	56	1.60	101	4047	14.67	31	1.80			59	5734	25.28	55	1.95	120	3401	12.33			31	1.95	55	6088	26.84	54	1.30	149			2747	9.96	30	2.20	60	5566	24.54	53	1.45	153	2673	9.69	29	1.75	69	4842	21.35	52	2.30	177	2309	8.37	29	1.95	79	4273	18.84	51	2.40	200	2041	7.40	28	2.10						238	1716	6.22	28	2.50																																																																																																																																																																																																																																																																																																																																																																																																																																																																				
177	2309	8.37	29	1.95	153	2673	9.69	29	1.75	200	2041	7.40	28	2.10	177	2309	8.37	29	1.95	238	1716	6.22	28	2.50	200	2041	7.40	28	2.10						238	1716	6.22	28	2.50	37kW							45kW							17	19461	85.80	84	0.85	GFA159 GFAF159 GF159 GFF159	4P	54	7605	27.57	31	0.95	GFA109 GFAF109 GF109 GFF109	4P	19			17796	78.46	84	0.95	22			15487			68.28	84	1.10	25	13665			60.25			83	1.25	28	11849	52.24			82			1.45	32	10542	46.48	81			1.60			37	9086	40.06	80	1.85			45			7383	32.55	77	2.30	54			6260			27.60	75	2.70	27	12531			55.25	58	0.90	59	6935	25.14	31	1.05			30	11057	48.75	58	1.00	68	6003	21.76			32	1.25	35	9549	42.10	57	1.20	77			5296	19.20	32	1.40	40	8446	37.24	56			1.35	89	4574	16.58	32	1.60	47	7097			31.29	56	1.60	101	4047	14.67	31	1.80			59	5734	25.28	55	1.95	120	3401	12.33			31	1.95	55	6088	26.84	54	1.30	149			2747	9.96	30	2.20	60	5566	24.54	53	1.45	153	2673	9.69	29	1.75	69	4842	21.35	52	2.30	177	2309	8.37	29	1.95	79	4273	18.84	51	2.40	200	2041	7.40	28	2.10						238	1716	6.22	28	2.50																																																																																																																																																																																																																																																																																																																																																																																																																																																																														
200	2041	7.40	28	2.10	177	2309	8.37	29	1.95	238	1716	6.22	28	2.50	200	2041	7.40	28	2.10						238	1716	6.22	28	2.50	37kW							45kW							17	19461	85.80	84	0.85	GFA159 GFAF159 GF159 GFF159	4P	54	7605	27.57	31	0.95	GFA109 GFAF109 GF109 GFF109	4P	19			17796	78.46	84	0.95	22			15487			68.28	84	1.10	25	13665			60.25			83	1.25	28	11849	52.24			82			1.45	32	10542	46.48	81			1.60			37	9086	40.06	80	1.85			45			7383	32.55	77	2.30	54			6260			27.60	75	2.70	27	12531			55.25	58	0.90	59	6935	25.14	31	1.05			30	11057	48.75	58	1.00	68	6003	21.76			32	1.25	35	9549	42.10	57	1.20	77			5296	19.20	32	1.40	40	8446	37.24	56			1.35	89	4574	16.58	32	1.60	47	7097			31.29	56	1.60	101	4047	14.67	31	1.80			59	5734	25.28	55	1.95	120	3401	12.33			31	1.95	55	6088	26.84	54	1.30	149			2747	9.96	30	2.20	60	5566	24.54	53	1.45	153	2673	9.69	29	1.75	69	4842	21.35	52	2.30	177	2309	8.37	29	1.95	79	4273	18.84	51	2.40	200	2041	7.40	28	2.10						238	1716	6.22	28	2.50																																																																																																																																																																																																																																																																																																																																																																																																																																																																																								
238	1716	6.22	28	2.50	200	2041	7.40	28	2.10						238	1716	6.22	28	2.50	37kW							45kW							17	19461	85.80	84	0.85	GFA159 GFAF159 GF159 GFF159	4P	54	7605	27.57	31	0.95	GFA109 GFAF109 GF109 GFF109	4P	19			17796	78.46	84	0.95	22			15487			68.28	84	1.10	25	13665			60.25			83	1.25	28	11849	52.24			82			1.45	32	10542	46.48	81			1.60			37	9086	40.06	80	1.85			45			7383	32.55	77	2.30	54			6260			27.60	75	2.70	27	12531			55.25	58	0.90	59	6935	25.14	31	1.05			30	11057	48.75	58	1.00	68	6003	21.76			32	1.25	35	9549	42.10	57	1.20	77			5296	19.20	32	1.40	40	8446	37.24	56			1.35	89	4574	16.58	32	1.60	47	7097			31.29	56	1.60	101	4047	14.67	31	1.80			59	5734	25.28	55	1.95	120	3401	12.33			31	1.95	55	6088	26.84	54	1.30	149			2747	9.96	30	2.20	60	5566	24.54	53	1.45	153	2673	9.69	29	1.75	69	4842	21.35	52	2.30	177	2309	8.37	29	1.95	79	4273	18.84	51	2.40	200	2041	7.40	28	2.10						238	1716	6.22	28	2.50																																																																																																																																																																																																																																																																																																																																																																																																																																																																																																		
					238	1716	6.22	28	2.50																																																																																																																																																																																																																																																																																																																																																																																																																																																																																																																																																																																																																																																																																																																																										
37kW							45kW																																																																																																																																																																																																																																																																																																																																																																																																																																																																																																																																																																																																																																																																																																																																												
17	19461	85.80	84	0.85	GFA159 GFAF159 GF159 GFF159	4P	54	7605	27.57	31	0.95	GFA109 GFAF109 GF109 GFF109	4P																																																																																																																																																																																																																																																																																																																																																																																																																																																																																																																																																																																																																																																																																																																																						
19	17796	78.46	84	0.95			22	15487	68.28	84	1.10			25	13665	60.25	83	1.25	28	11849	52.24	82	1.45	32	10542	46.48	81	1.60	37	9086	40.06	80	1.85	45	7383	32.55	77	2.30			54	6260	27.60	75	2.70			27			12531	55.25	58	0.90	59			6935			25.14	31	1.05	30	11057			48.75			58	1.00	68	6003	21.76			32	1.25	35	9549	42.10	57	1.20	77			5296	19.20	32	1.40	40	8446	37.24	56			1.35	89	4574	16.58	32	1.60	47	7097			31.29	56	1.60	101	4047	14.67	31	1.80			59	5734	25.28	55	1.95	120	3401	12.33			31	1.95	55	6088	26.84	54	1.30	149			2747	9.96	30	2.20	60	5566	24.54	53			1.45	153	2673	9.69	29	1.75	69	4842			21.35	52	2.30	177	2309	8.37	29	1.95	79	4273	18.84	51	2.40	200	2041	7.40	28	2.10						238	1716	6.22	28	2.50																																																																																																																																																																																																																																																																																																																																																																																																																																																																																																																																																										
22	15487	68.28	84	1.10			25	13665	60.25	83	1.25			28	11849	52.24	82	1.45	32	10542	46.48	81	1.60	37	9086	40.06	80	1.85	45	7383	32.55	77	2.30	54	6260	27.60	75	2.70			27	12531	55.25	58	0.90			59			6935	25.14	31	1.05	30			11057			48.75	58	1.00	68	6003			21.76	32	1.25	35	9549	42.10	57	1.20			77	5296	19.20	32	1.40	40	8446	37.24			56	1.35	89	4574	16.58	32	1.60	47			7097	31.29	56	1.60	101	4047	14.67	31			1.80	59	5734	25.28	55	1.95	120	3401			12.33	31	1.95	55	6088	26.84	54	1.30			149	2747	9.96	30	2.20	60	5566	24.54			53	1.45	153	2673	9.69	29	1.75	69			4842	21.35	52	2.30	177	2309	8.37	29	1.95	79	4273	18.84	51	2.40	200	2041	7.40	28	2.10						238	1716	6.22	28	2.50																																																																																																																																																																																																																																																																																																																																																																																																																																																																																																																																																																			
25	13665	60.25	83	1.25			28	11849	52.24	82	1.45			32	10542	46.48	81	1.60	37	9086	40.06	80	1.85	45	7383	32.55	77	2.30	54	6260	27.60	75	2.70	27	12531	55.25	58	0.90			59	6935	25.14	31	1.05			30			11057	48.75	58	1.00	68			6003	21.76	32	1.25	35	9549	42.10	57			1.20	77	5296	19.20	32	1.40	40	8446			37.24	56	1.35	89	4574	16.58	32	1.60			47	7097	31.29	56	1.60	101	4047	14.67			31	1.80	59	5734	25.28	55	1.95	120			3401	12.33	31	1.95	55	6088	26.84	54			1.30	149	2747	9.96	30	2.20	60	5566			24.54	53	1.45	153	2673	9.69	29	1.75			69	4842	21.35	52	2.30	177	2309	8.37	29	1.95	79	4273	18.84	51	2.40	200	2041	7.40	28	2.10						238	1716	6.22	28	2.50																																																																																																																																																																																																																																																																																																																																																																																																																																																																																																																																																																												
28	11849	52.24	82	1.45			32	10542	46.48	81	1.60			37	9086	40.06	80	1.85	45	7383	32.55	77	2.30	54	6260	27.60	75	2.70	27	12531	55.25	58	0.90	59	6935	25.14	31	1.05			30	11057	48.75	58	1.00			68	6003	21.76	32	1.25	35	9549	42.10			57	1.20	77	5296	19.20	32	1.40	40			8446	37.24	56	1.35	89	4574	16.58	32			1.60	47	7097	31.29	56	1.60	101	4047			14.67	31	1.80	59	5734	25.28	55	1.95			120	3401	12.33	31	1.95	55	6088	26.84			54	1.30	149	2747	9.96	30	2.20	60			5566	24.54	53	1.45	153	2673	9.69	29			1.75	69	4842	21.35	52	2.30	177	2309	8.37	29	1.95	79	4273	18.84	51	2.40	200	2041	7.40	28	2.10						238	1716	6.22	28	2.50																																																																																																																																																																																																																																																																																																																																																																																																																																																																																																																																																																																					
32	10542	46.48	81	1.60			37	9086	40.06	80	1.85			45	7383	32.55	77	2.30	54	6260	27.60	75	2.70	27	12531	55.25	58	0.90	59	6935	25.14	31	1.05	30	11057	48.75	58	1.00	68	6003	21.76	32	1.25	35	9549			42.10	57	1.20	77	5296	19.20	32	1.40			40	8446	37.24	56	1.35	89	4574	16.58			32	1.60	47	7097	31.29	56	1.60	101			4047	14.67	31	1.80	59	5734	25.28	55			1.95	120	3401	12.33	31	1.95	55	6088			26.84	54	1.30	149	2747	9.96	30	2.20			60	5566	24.54	53	1.45	153	2673	9.69			29	1.75	69	4842	21.35	52	2.30	177	2309	8.37	29	1.95	79	4273	18.84	51	2.40	200	2041	7.40	28	2.10						238	1716	6.22	28	2.50																																																																																																																																																																																																																																																																																																																																																																																																																																																																																																																																																																																														
37	9086	40.06	80	1.85			45	7383	32.55	77	2.30			54	6260	27.60	75	2.70	27	12531	55.25	58	0.90	59	6935	25.14	31	1.05	30	11057	48.75	58	1.00	68	6003	21.76	32	1.25	35	9549	42.10	57	1.20	77	5296			19.20	32	1.40	40	8446	37.24	56	1.35			89	4574	16.58	32	1.60	47	7097	31.29			56	1.60	101	4047	14.67	31	1.80	59			5734	25.28	55	1.95	120	3401	12.33	31			1.95	55	6088	26.84	54	1.30	149	2747			9.96	30	2.20	60	5566	24.54	53	1.45			153	2673	9.69	29	1.75	69	4842	21.35	52	2.30	177	2309	8.37	29	1.95	79	4273	18.84	51	2.40	200	2041	7.40	28	2.10						238	1716	6.22	28	2.50																																																																																																																																																																																																																																																																																																																																																																																																																																																																																																																																																																																																					
45	7383	32.55	77	2.30			54	6260	27.60	75	2.70			27	12531	55.25	58	0.90	59	6935	25.14	31	1.05	30	11057	48.75	58	1.00	68	6003	21.76	32	1.25	35	9549	42.10	57	1.20	77	5296	19.20	32	1.40	40	8446			37.24	56	1.35	89	4574	16.58	32	1.60			47	7097	31.29	56	1.60	101	4047	14.67			31	1.80	59	5734	25.28	55	1.95	120			3401	12.33	31	1.95	55	6088	26.84	54			1.30	149	2747	9.96	30	2.20	60	5566			24.54	53	1.45	153	2673	9.69	29	1.75	69	4842	21.35	52	2.30	177	2309	8.37	29	1.95	79	4273	18.84	51	2.40	200	2041	7.40	28	2.10						238	1716	6.22	28	2.50																																																																																																																																																																																																																																																																																																																																																																																																																																																																																																																																																																																																												
54	6260	27.60	75	2.70	27	12531	55.25	58	0.90	59	6935			25.14	31	1.05	30	11057	48.75	58	1.00	68	6003	21.76	32	1.25	35	9549	42.10	57	1.20	77	5296	19.20	32	1.40	40	8446	37.24	56	1.35	89	4574	16.58	32			1.60	47	7097	31.29	56	1.60	101	4047			14.67	31	1.80	59	5734	25.28	55	1.95			120	3401	12.33	31	1.95	55	6088	26.84			54	1.30	149	2747	9.96	30	2.20	60			5566	24.54	53	1.45	153	2673	9.69	29	1.75	69	4842	21.35	52	2.30	177	2309	8.37	29	1.95	79	4273	18.84	51	2.40	200	2041	7.40	28	2.10						238	1716	6.22	28	2.50																																																																																																																																																																																																																																																																																																																																																																																																																																																																																																																																																																																																																					
27	12531	55.25	58	0.90	59	6935	25.14	31	1.05	30	11057			48.75	58	1.00	68	6003	21.76	32	1.25	35	9549	42.10	57	1.20	77	5296	19.20	32	1.40	40	8446	37.24	56	1.35	89	4574	16.58	32	1.60	47	7097	31.29	56			1.60	101	4047	14.67	31	1.80	59	5734			25.28	55	1.95	120	3401	12.33	31	1.95			55	6088	26.84	54	1.30	149	2747	9.96			30	2.20	60	5566	24.54	53	1.45	153	2673	9.69	29	1.75	69	4842	21.35	52	2.30	177	2309	8.37	29	1.95	79	4273	18.84	51	2.40	200	2041	7.40	28	2.10						238	1716	6.22	28	2.50																																																																																																																																																																																																																																																																																																																																																																																																																																																																																																																																																																																																																												
30	11057	48.75	58	1.00	68	6003	21.76	32	1.25	35	9549			42.10	57	1.20	77	5296	19.20	32	1.40	40	8446	37.24	56	1.35	89	4574	16.58	32	1.60	47	7097	31.29	56	1.60	101	4047	14.67	31	1.80	59	5734	25.28	55			1.95	120	3401	12.33	31	1.95	55	6088			26.84	54	1.30	149	2747	9.96	30	2.20			60	5566	24.54	53	1.45	153	2673	9.69	29	1.75	69	4842	21.35	52	2.30	177	2309	8.37	29	1.95	79	4273	18.84	51	2.40	200	2041	7.40	28	2.10						238	1716	6.22	28	2.50																																																																																																																																																																																																																																																																																																																																																																																																																																																																																																																																																																																																																																								
35	9549	42.10	57	1.20	77	5296	19.20	32	1.40	40	8446			37.24	56	1.35	89	4574	16.58	32	1.60	47	7097	31.29	56	1.60	101	4047	14.67	31	1.80	59	5734	25.28	55	1.95	120	3401	12.33	31	1.95	55	6088	26.84	54			1.30	149	2747	9.96	30	2.20	60	5566			24.54	53	1.45	153	2673	9.69	29	1.75	69	4842	21.35	52	2.30	177	2309	8.37	29	1.95	79	4273	18.84	51	2.40	200	2041	7.40	28	2.10						238	1716	6.22	28	2.50																																																																																																																																																																																																																																																																																																																																																																																																																																																																																																																																																																																																																																																				
40	8446	37.24	56	1.35	89	4574	16.58	32	1.60	47	7097			31.29	56	1.60	101	4047	14.67	31	1.80	59	5734	25.28	55	1.95	120	3401	12.33	31	1.95	55	6088	26.84	54	1.30	149	2747	9.96	30	2.20	60	5566	24.54	53			1.45	153	2673	9.69	29	1.75	69	4842	21.35	52	2.30	177	2309	8.37	29	1.95	79	4273	18.84	51	2.40	200	2041	7.40	28	2.10						238	1716	6.22	28	2.50																																																																																																																																																																																																																																																																																																																																																																																																																																																																																																																																																																																																																																																																
47	7097	31.29	56	1.60	101	4047	14.67	31	1.80	59	5734			25.28	55	1.95	120	3401	12.33	31	1.95	55	6088	26.84	54	1.30	149	2747	9.96	30	2.20	60	5566	24.54	53	1.45	153	2673	9.69	29	1.75	69	4842	21.35	52	2.30	177	2309	8.37	29	1.95	79	4273	18.84	51	2.40	200	2041	7.40	28	2.10						238	1716	6.22	28	2.50																																																																																																																																																																																																																																																																																																																																																																																																																																																																																																																																																																																																																																																																												
59	5734	25.28	55	1.95	120	3401	12.33	31	1.95	55	6088			26.84	54	1.30	149	2747	9.96	30	2.20	60	5566	24.54	53	1.45	153	2673	9.69	29	1.75	69	4842	21.35	52	2.30	177	2309	8.37	29	1.95	79	4273	18.84	51	2.40	200	2041	7.40	28	2.10						238	1716	6.22	28	2.50																																																																																																																																																																																																																																																																																																																																																																																																																																																																																																																																																																																																																																																																																						
55	6088	26.84	54	1.30	149	2747	9.96	30	2.20	60	5566			24.54	53	1.45	153	2673	9.69	29	1.75	69	4842	21.35	52	2.30	177	2309	8.37	29	1.95	79	4273	18.84	51	2.40	200	2041	7.40	28	2.10						238	1716	6.22	28	2.50																																																																																																																																																																																																																																																																																																																																																																																																																																																																																																																																																																																																																																																																																																
60	5566	24.54	53	1.45	153	2673	9.69	29	1.75	69	4842	21.35	52	2.30	177	2309	8.37	29	1.95	79	4273	18.84	51	2.40	200	2041	7.40	28	2.10						238	1716	6.22	28	2.50																																																																																																																																																																																																																																																																																																																																																																																																																																																																																																																																																																																																																																																																																																												
69	4842	21.35	52	2.30	177	2309	8.37	29	1.95	79	4273	18.84	51	2.40	200	2041	7.40	28	2.10						238	1716	6.22	28	2.50																																																																																																																																																																																																																																																																																																																																																																																																																																																																																																																																																																																																																																																																																																																						
79	4273	18.84	51	2.40	200	2041	7.40	28	2.10						238	1716	6.22	28	2.50																																																																																																																																																																																																																																																																																																																																																																																																																																																																																																																																																																																																																																																																																																																																
					238	1716	6.22	28	2.50																																																																																																																																																																																																																																																																																																																																																																																																																																																																																																																																																																																																																																																																																																																																										

选型参数表
(恒功率)
Selection Table
(Constant Power)

n_a [r/min]	M_a [N.m]	i	F_{Ra} [kN]	f_B	机型号 Type size	极数 Pole	n_a [r/min]	M_a [N.m]	i	F_{Ra} [kN]	f_B	机型号 Type size	极数 Pole
55kW							90kW						
25	20314	60.25	70	0.85			46	17838	32.55	58	0.95	GFA159	
28	17613	52.24	71	0.95	GFA159		54	15125	27.60	58	1.10	GFAF159	4P
32	15671	46.48	71	1.10	GFAF159	4P						GF159	
37	13506	40.06	71	1.25	GF159							GFF159	
45	10974	32.55	70	1.55	GFF159		52	15673	28.60	57	1.00		
54	9305	27.60	69	1.85			59	13936	25.43	56	1.00	GFA159	
52	9643	28.60	69	1.65	GFA159		67	12144	22.16	56	1.40	GFAF159	4P
58	8574	25.43	68	1.65	GFAF159	4P	75	10834	19.77	55	1.50	GF159	
67	7471	22.16	67	2.30	GF159		88	9234	16.85	54	1.85	GFF159	
75	6666	19.77	66	2.40	GFF159		107	7650	13.96	53	2.10		
88	5681	16.85	64	3.00			125	6532	11.92	52	2.30		
40	12556	37.24	49	0.90	GFA129		59	13854	25.28	51	0.80	GFA129	4P
47	10550	31.29	49	1.10	GFAF129	4P						GFAF129	
59	8523	25.28	49	1.35	GF129							GF129	
					GFF129							GFF129	
69	7198	21.35	49	1.60			70	11700	21.35	49	0.95		
79	6352	18.84	48	1.65			79	10324	18.84	47	1.00		
91	5509	16.34	48	1.90			91	8954	16.34	45	1.15		
102	4902	14.54	47	2.10	GFA129		102	7968	14.54	44	1.30	GFA129	
118	4225	12.53	46	2.20	GFAF129	4P	119	6866	12.53	34	1.35	GFAF129	4P
145	3432	10.18	44	2.60	GF129		146	5579	10.18	34	1.60	GF129	
167	2991	8.87	43	2.20	GFF129		168	4861	8.87	34	1.35	GFF129	
188	2660	7.89	42	2.10			189	4324	7.89	34	1.30		
218	2293	6.80	41	2.90			219	3726	6.80	34	1.75		
268	1864	5.53	39	3.00			269	3030	5.53	33	1.85		
316	1581	4.69	38	3.60			318	2570	4.69	33	2.20		
75kW							110kW						
32	21369	46.48	60	0.80	GFA159		54	18486	27.60	32	0.90	GFA159	4P
37	18418	40.06	61	0.95	GFAF159	4P						GFAF159	
45	14965	32.55	62	1.15	GF159							GF159	
54	12689	27.60	62	1.35	GFF159							GFF159	
52	13149	28.60	62	1.25			67	14842	22.16	31	1.15	GFA159	
58	11692	25.43	62	1.20	GFA159		75	13242	19.77	30	1.20	GFAF159	4P
67	10188	22.16	62	1.70	GFAF159	4P	88	11286	16.85	29	1.50	GF159	
75	9089	19.77	61	1.80	GF159		107	9350	13.96	29	1.70	GFF159	
88	7747	16.85	60	2.20	GFF159		125	7984	11.92	77	1.90		
106	6418	13.96	59	2.50									
124	5480	11.92	57	2.80									
59	11623	25.28	42	1.00	GFA129								
					GFAF129	4P							
					GF129								
					GFF129								
69	9816	21.35	84	1.15									
79	8662	18.84	84	1.20									
91	7512	16.34	84	1.40									
102	6685	14.54	83	1.55	GFA129								
118	5761	12.53	82	1.65	GFAF129	4P							
145	4680	10.18	81	1.95	GF129								
167	4078	8.87	80	1.65	GFF129								
188	3627	7.89	77	1.55									
218	3126	6.80	75	2.10									
268	2542	5.53	58	2.20									
316	2156	4.69	58	2.70									

选型参数表
(恒转矩)
Selection Table
(Constant Torque)

M_{amax} [N.m]	n_a [r/min]	i	F_{Ra} [kN]	机型号 Type size	P [kW]/4P	M_{amax} [N.m]	n_a [r/min]	i	F_{Ra} [kN]	机型号 Type size	P [kW]/4P
200	0.16	8193	4.1	GFA39R19 GFAF39R19 GF39R19 GFF39R19	0.12	400	2.1	619	5.6	GFA49R19 GFAF49R19 GF49R19 GFF49R19	0.18
	0.19	7064	4.1								
	0.20	6585	4.1								
	0.23	5756	4.1								
	0.26	4962	4.1								
	0.30	4434	4.1								
	0.34	3875	4.1								
	0.39	3392	4.1								
	0.44	2965	4.1								
	0.51	2587	4.1								
	0.57	2284	4.1								
	0.66	1997	4.1								
	0.68	1929	4.1	GFA39R19 GFAF39R19 GF39R19 GFF39R19	0.12		4.0	326	4.1	GFA39R19 GFAF39R19 GF39R19 GFF39R19	0.12
	0.78	1679	4.1								
	0.85	1550	4.1								
	1.0	1356	4.1								
	1.1	1180	4.1								
	1.3	1044	4.1								
	1.4	914	4.1								
	1.6	808	4.1								
1.9	698	4.1									
2.1	616	4.1									
2.4	544	4.1									
2.8	466	4.1									
3.2	411	4.1									
3.6	364	4.1									
4.6	285	4.1	GFA39R19 GFAF39R19 GF39R19 GFF39R19	0.12	4.0	326	4.1	GFA39R19 GFAF39R19 GF39R19 GFF39R19	0.12		
5.2	250	4.1									
6.0	219	4.1									
7.0	186	4.1									
8.0	167	4.1									
9.2	145	4.1	GFA39R19 GFAF39R19 GF39R19 GFF39R19	0.25	4.0	326	4.1	GFA39R19 GFAF39R19 GF39R19 GFF39R19	0.25		
10.3	129	4.1									
400	0.11	12251	5.6	GFA49R19 GFAF49R19 GF49R19 GFF49R19	0.12	600	0.09	14832	8.7	GFA49R19 GFAF49R19 GF49R19 GFF49R19	0.12
	0.12	10619	5.6								
	0.13	9845	5.6								
	0.15	8534	5.6								
	0.18	7460	5.6								
	0.20	6536	5.6								
	0.23	5746	5.6								
	0.26	5022	5.6								
	0.30	4401	5.6								
	0.34	3883	5.6								
	0.38	3443	5.6								
	0.44	2976	5.6								
	0.50	2629	5.6								
	0.52	2519	5.6	GFA49R19 GFAF49R19 GF49R19 GFF49R19	0.12		0.09	14832	8.7	GFA49R19 GFAF49R19 GF49R19 GFF49R19	0.12
	0.55	2394	5.6								
	0.60	2172	5.6								
	0.65	2025	5.6								
	0.74	1770	5.6								
	0.83	1576	5.6								
	0.96	1363	5.6								
1.1	1192	5.6									
1.2	1061	5.6									
1.4	931	5.6									
1.6	822	5.6									
1.9	706	5.6									
0.09	13604	8.7	GFA59R39 GFAF59R39 GF59R39 GFF59R39	0.12	0.12	11252	8.7	GFA59R39 GFAF59R39 GF59R39 GFF59R39	0.12		
0.1	12602	8.7									
0.12	11252	8.7									
0.13	9986	8.7									
0.15	8787	8.7									
0.17	7908	8.7									
0.19	6913	8.7									
0.22	6030	8.7									
0.25	5289	8.7									
0.28	4654	8.7									
0.32	4060	8.7									
0.37	3564	8.7									
0.41	3161	8.7									
0.46	2854	8.7	GFA59R39 GFAF59R39 GF59R39 GFF59R39	0.18	1.5	856	8.7	GFA59R39 GFAF59R39 GF59R39 GFF59R39	0.18		
0.51	2576	8.7									
0.58	2266	8.7									
0.65	2012	8.7									
0.73	1791	8.7									
0.81	1617	8.7									
0.92	1422	8.7									
1.1	1243	8.7									
1.2	1066	8.7									
1.4	949	8.7									
1.5	856	8.7									
1.7	749	8.7									
2	658	8.7									
2.4	549	8.7	GFA59R39 GFAF59R39 GF59R39 GFF59R39	0.25	2.4	549	8.7	GFA59R39 GFAF59R39 GF59R39 GFF59R39	0.25		
2.8	483	8.7									
3.1	426	8.7	GFA59R39 GFAF59R39 GF59R39 GFF59R39	0.25	3.1	426	8.7	GFA59R39 GFAF59R39 GF59R39 GFF59R39	0.25		
3.5	382	8.7									
4	330	8.7	GFA59R39 GFAF59R39 GF59R39 GFF59R39	0.37	4	330	8.7	GFA59R39 GFAF59R39 GF59R39 GFF59R39	0.37		
4.5	298	8.7									
5.1	262	8.7									

选型参数表
(恒转矩)
Selection Table
(Constant Torque)

M_{amax} [N.m]	n_a [r/min]	i	F_{Ra} [kN]	机型号 Type size	P [kW]/4P	M_{amax} [N.m]	n_a [r/min]	i	F_{Ra} [kN]	机型号 Type size	P [kW]/4P								
600	6.2 7.0	226 200	8.7 8.7	GFA59R39 GFAF59R39 GF59R39 GFF59R39	0.55	1500	0.07	19181	15	GFA79R39 GFAF79R39 GF79R39 GFF79R39	0.12								
												8.2 9.1 10	170 152 134	8.7 8.7 8.7	GFA59R39 GFAF59R39 GF59R39 GFF59R39	0.75	0.07	17593	15
																	0.08	16128	15
																	0.09	14978	15
	0.1	13731	15																
	0.11	12049	15																
	0.12	11035	15																
	820	0.07 0.07 0.09 0.10 0.11 0.13 0.15 0.16 0.18 0.22 0.25 0.28 0.32 0.37 0.42 0.48 0.54	19198 17609 14992 12926 11480 10220 8934 7940 7096 6080 5342 4690 4091 3574 3133 2756 2440	8.7 8.7 8.7 8.7 8.7 8.7 8.7 8.7 8.7 8.7 8.7 8.7 8.7 8.7 8.7 8.7 8.7	GFA69R39 GFAF69R39 GF69R39 GFF69R3							0.12	0.14	9684	15				
													0.15	8465	15				
													0.17	7520	15				
0.2						6581	15												
0.23						5808	15												
0.26						5026	15												
0.3						4436	15												
0.34						3832	15												
0.44						2978	15												
0.5						2613	15												
0.57		2284	15																
0.39 0.45 0.48 0.55 0.62 0.80 0.91 1.0		3377 2912 2714 2373 2126 1631 1438 1257	8.7 8.7 8.7 8.7 8.7 8.7 8.7 8.7	GFA69R39 GFAF69R39 GF69R39 GFF69R39	0.12	0.65	2030	15											
						0.76	1728	15											
						0.85	1544	15											
						0.97	1354	15											
						1.1	1200	15											
						1.3	1053	15											
						1.5	910	15											
						1.6	810	15											
						1.9	710	15											
	1.2 1.3 1.5 1.8 2.1 2.5 0.70 2.7 2.9 3.4 4.2 4.7 5.3 5.8 7.0					1126 984 864 722 633 539 1884 500 454 392 333 297 261 238 200	8.7 8.7 8.7 8.7 8.7 8.7 10 10 10 10 10 10 10 10 10	GFA69R39 GFAF69R39 GF69R39 GFF69R39	0.18	2.3	615	15							
2.6		538	15																
2.9		480	15																
3.4		413	15																
3.8		367	15																
4.3		323	15																
0.06		23042	19																
0.06		20462	19																
0.07		18237	19																
0.08		15876	19																
0.09	14099	19																	
0.11	12204	19																	
0.13	10433	19																	
0.14	9380	19																	
0.16	8142	19																	
0.18	7100	19																	
0.21	6273	19																	
0.24	5510	19																	
0.26	4954	19																	

选型参数表
(恒转矩)
Selection Table
(Constant Torque)

M_{amax} [N.m]	n_a [r/min]	i	F_{Ra} [kN]	机型号 Type size	P [kW]/4P	M_{amax} [N.m]	n_a [r/min]	i	F_{Ra} [kN]	机型号 Type size	P [kW]/4P																			
3000	0.31 0.35	4245	19	GFA89R59 GFAF89R59 GF89R59 GFF89R59	0.18	4300	1.2 1.4	1171	28	GFA99R59 GFAF99R59 GF99R59 GFF99R59	0.75																			
		3721	19	GFA89R59 GFAF89R59 GF89R59 GFF89R59																										
		1.6	898	28				GFA99R59 GFAF99R59 GF99R59 GFF99R59																						
	0.40 0.45	3244	19	GFA89R59 GFAF89R59 GF89R59 GFF89R59	0.18		1.8 2.0	785	28	GFA99R59 GFAF99R59 GF99R59 GFF99R59	1.1																			
		2881	19	GFA89R59 GFAF89R59 GF89R59 GFF89R59																										
		2.3	605	28				GFA99R59 GFAF99R59 GF99R59 GFF99R59																						
	0.52 0.60 0.69	2575	19	GFA89R59 GFAF89R59 GF89R59 GFF89R59	0.25		2.6 3.0	529	28	GFA99R59 GFAF99R59 GF99R59 GFF99R59	1.5																			
		2199	19	GFA89R59 GFAF89R59 GF89R59 GFF89R59																										
		3.5	406	28				GFA99R59 GFAF99R59 GF99R59 GFF99R59																						
	0.78 0.89	1709	19	GFA89R59 GFAF89R59 GF89R59 GFF89R59	0.37		3.9	363	28	GFA99R59 GFAF99R59 GF99R59 GFF99R59	2.2																			
		1493	19	GFA89R59 GFAF89R59 GF89R59 GFF89R59																										
		5.0	285	28				GFA99R59 GFAF99R59 GF99R59 GFF99R59																						
	1.1 1.2 1.4 1.6	1300	19	GFA89R59 GFAF89R59 GF89R59 GFF89R59	0.55		5.8	245	28	GFA99R59 GFAF99R59 GF99R59 GFF99R59	3																			
		1148	19	GFA89R59 GFAF89R59 GF89R59 GFF89R59																										
		7680	0.05	25375				47	GFA109R79 GFAF109R79 GF109R79 GFF109R79	0.12																				
	1.8 2.1	780	19	GFA89R59 GFAF89R59 GF89R59 GFF89R59	0.75		0.06	21652	47		GFA109R79 GFAF109R79 GF109R79 GFF109R79																			
		674	19	GFA89R59 GFAF89R59 GF89R59 GFF89R59																										
		0.07	18933	47				GFA109R79 GFAF109R79 GF109R79 GFF109R79																						
2.3 2.7 3.1	609	19	GFA89R59 GFAF89R59 GF89R59 GFF89R59	1.1	0.08	16889	47	GFA109R79 GFAF109R79 GF109R79 GFF109R79	0.18																					
	515	19	GFA89R59 GFAF89R59 GF89R59 GFF89R59																											
	0.09	14768	47			GFA109R79 GFAF109R79 GF109R79 GFF109R79																								
4.1	345	19	GFA89R59 GFAF89R59 GF89R59 GFF89R59	1.5	0.12	11347	47	GFA109R79 GFAF109R79 GF109R79 GFF109R79	0.25																					
	4300	0.06 0.07 0.08 0.09 0.11 0.12 0.14 0.16 0.18	20814 18119 15472 14022 12324 10839 9576 8318 7327			28 28 28 28 28 28 28 28 28	GFA99R59 GFAF99R59 GF99R59 GFF99R59	0.12		0.13	10039	47	GFA109R79 GFAF109R79 GF109R79 GFF109R79	0.18																
															0.20 0.23 0.26 0.30	6469 5615 4961 4333	28 28 28 28	GFA99R59 GFAF99R59 GF99R59 GFF99R59	0.18	0.15	8548	47	GFA109R79 GFAF109R79 GF109R79 GFF109R79	0.25						
0.34 0.40 0.46				3906 3352 2907	28 28 28				GFA99R59 GFAF99R59 GF99R59 GFF99R59																0.25	0.17	7675	47	GFA109R79 GFAF109R79 GF109R79 GFF109R79	0.37
															0.81 0.91 1.0	1723 1528 1327	28 28 28	GFA99R59 GFAF99R59 GF99R59 GFF99R59	0.55	0.22	5954	47	GFA109R79 GFAF109R79 GF109R79 GFF109R79	0.75						
0.29 0.38				4567 3521	47 47				GFA109R79 GFAF109R79 GF109R79 GFF109R79																0.37	0.25	5223	47	GFA109R79 GFAF109R79 GF109R79 GFF109R79	1.1
															0.67 0.76	2068 1826	47 47	GFA109R79 GFAF109R79 GF109R79 GFF109R79	0.75	0.38	3521	47	GFA109R79 GFAF109R79 GF109R79 GFF109R79	2.2						
0.88 1.00 1.1				1597 1401 1243	47 47 47				GFA109R79 GFAF109R79 GF109R79 GFF109R79																1.1	0.46	3037	47	GFA109R79 GFAF109R79 GF109R79 GFF109R79	1.5
		1.3 1.5	1087 950			47 47	GFA109R79 GFAF109R79 GF109R79 GFF109R79	1.5		0.59	2369	47	GFA109R79 GFAF109R79 GF109R79 GFF109R79	2.2																
															1.7 1.9 2.2	834 736 640	47 47 47	GFA109R79 GFAF109R79 GF109R79 GFF109R79	2.2											

选型参数表
(恒转矩)
Selection Table
(Constant Torque)

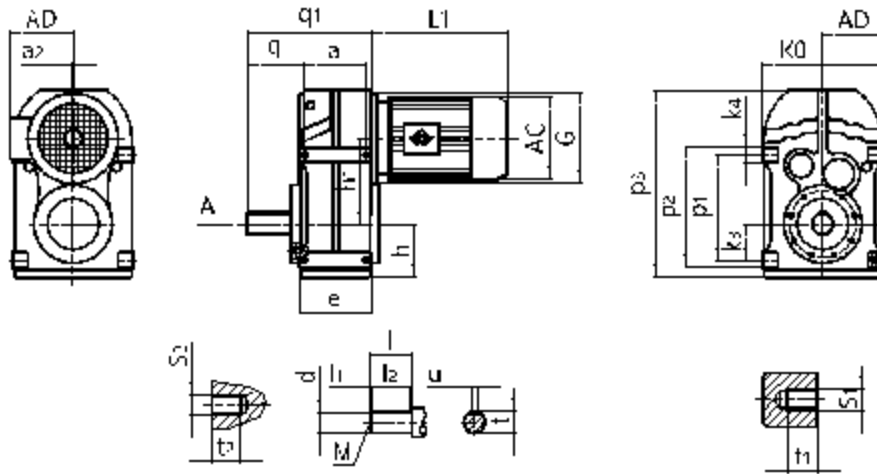
M _{amax} [N.m]	n _a [r/min]	i	F _{Ra} [kN]	机型号 Type size	P [kW]/4P	M _{amax} [N.m]	n _a [r/min]	i	F _{Ra} [kN]	机型号 Type size	P [kW]/4P				
7680	2.6	560	47	GFA109R79	3	12000	3.4	428	86	GFA129R79	5.5				
	2.9	489	47	GFAF109R79			GFAF129R79								
	3.3	436	47	GF109R79			GF129R79								
				GFF109R79			GFF129R79								
	3.9	370	47	GFA109R79	4		3.0	485	86	GFA129R89	5.5				
	4.3	333	47	GFAF109R79			GFAF129R89								
				GF109R79			GF129R89								
				GFF109R79			GFF129R89								
12000	0.05	24450	86	GFA129R79	0.12	4.6	312	86	GFA129R89	7.5					
	0.06	22298	86	GFAF129R79		GFAF129R89									
	0.07	19026	86	GF129R79		GF129R89									
				GFF129R79		GFF129R89									
	0.08	16637	86	GFA129R79	0.18	5.6	259	86	GFA129R89	7.5					
	0.09	14705	86	GFAF129R79		GFAF129R89									
	0.10	12912	86	GF129R79		GF129R89									
	0.11	11643	86	GFF129R79		GFF129R89									
	0.13	10180	86	GFA129R79	0.25	7.4	198	86	GFA129R89	11					
	0.15	8822	86	GFAF129R79		GFAF129R89									
				GF129R79		GF129R89									
				GFF129R79		GFF129R89									
	0.17	7634	86	GFA129R79	0.37	18000	0.04	31434	95	GFA159R99	0.55				
	0.20	6708	86	GFAF129R79			GFAF159R99								
	0.22	5919	86	GF129R79			GF159R99								
				GFF129R79			GFF159R99								
	0.27	5147	86	GFA129R79	0.55		0.06	23464	95			GFA159R99	1.1		
	0.31	4528	86	GFAF129R79			GFAF159R99								
	0.35	3922	86	GF129R79			GF159R99								
				GFF129R79			GFF159R99								
	0.40	3450	86	GFA129R79	0.75		0.07	20212	95					GFA159R99	0.55
	0.46	3028	86	GFAF129R79			GFAF159R99								
				GF129R79			GF159R99								
				GFF129R79			GFF159R99								
0.52	2669	86	GFA129R79	0.75	0.08		17984	95	GFA159R99	0.75					
			GFAF129R79		GFAF159R99										
			GF129R79		GF159R99										
			GFF129R79		GFF159R99										
0.59	2354	86	GFA129R79	1.1	0.08		16358	95			GFA159R99	1.1			
0.69	2035	86	GFAF129R79		GFAF159R99										
0.79	1782	86	GF129R79		GF159R99										
			GFF129R79		GFF159R99										
0.87	1605	86	GFA129R79	1.5	0.10		13751	95					GFA159R99	2.2	
1.0	1389	86	GFAF129R79		GFAF159R99										
			GF129R79		GF159R99										
			GFF129R79		GFF159R99										
1.2	1219	86	GFA129R79	2.2	0.11	12235	95	GFA159R99	1.1						
1.3	1075	86	GFAF129R79		GFAF159R99										
1.5	929	86	GF129R79		GF159R99										
			GFF129R79		GFF159R99										
1.7	819	86	GFA129R79	3	0.14	10033	95			GFA159R99	2.2				
2.0	726	86	GFAF129R79		GFAF159R99										
2.2	647	86	GF129R79		GF159R99										
			GFF129R79		GFF159R99										
2.6	548	86	GFA129R79	4	0.16	9021	95					GFA159R99	1.1		
2.9	494	86	GFAF129R79		GFAF159R99										
			GF129R79		GF159R99										
			GFF129R79		GFF159R99										
					0.17	8026	95	GFA159R99	0.55						
					0.20	7075	95							GFAF159R99	
					0.22	6295	95							GF159R99	
										GFF159R99					
					0.26	5404	95			GFA159R99					
										GFAF159R99					
										GF159R99					
										GFF159R99					
					0.29	4831	95			GFA159R99					
					0.34	4130	95			GFAF159R99					
										GF159R99					
								GFF159R99							
					0.40	3607	95	GFA159R99							
					0.45	3210	95	GFAF159R99							
								GF159R99							
								GFF159R99							
					0.50	2780	95	GFA159R99							
								GFAF159R99							
								GF159R99							
								GFF159R99							
					0.99	1441	95	GFA159R99							
								GFAF159R99							
								GF159R99							
								GFF159R99							

**选型参数表
(恒转矩)**
**Selection Table
(Constant Torque)**

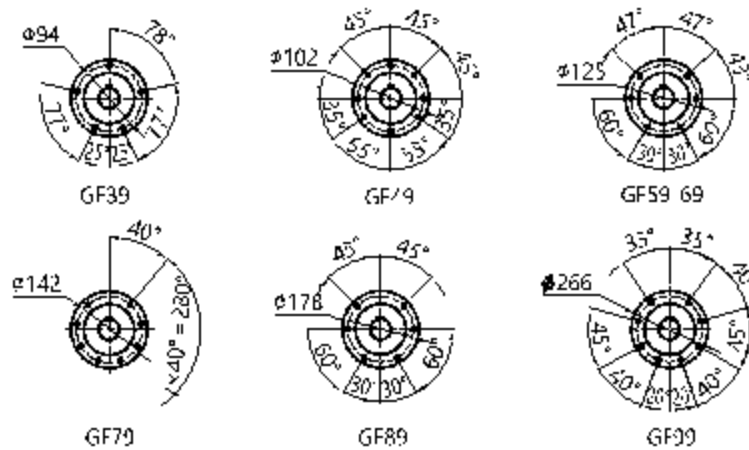
M_{amax} [N.m]	n_a [r/min]	i	F_{Ra} [kN]	机型号 Type size	P [kW]/4P	M_{amax} [N.m]	n_a [r/min]	i	F_{Ra} [kN]	机型号 Type size	P [kW]/4P
18000	0.58 0.64	2427 2185	95 95	GFA159R99	1.5	18000	2.9 3.3	503 446	95 95	GFA159R99	7.5
				GFAF159R99						GFAF159R99	
				GF159R99						GF159R99	
				GFF159R99						GFF159R99	
	0.74 0.85	1944 1674	95 95	GFA159R99	2.2		4.1 353 95	GFA159R99	7.5		
				GFAF159R99				GFAF159R99			
				GF159R99				GF159R99			
				GFF159R99				GFF159R99			
	1.09 1.22	1308 1169	95 95	GFA159R99	3		4.8 5.3 302 273 95 95	GFA159R99	11		
				GFAF159R99				GFAF159R99			
				GF159R99				GF159R99			
				GFF159R99				GFF159R99			
1.5 1.7 1.9	953 845 764	95 95 95	GFA159R99	4	6.3 7.2 232 202 95 95	GFA159R99	15				
			GFAF159R99			GFAF159R99					
			GF159R99			GF159R99					
			GFF159R99			GFF159R99					
2.1 2.5	680 576	95 95	GFA159R99	5.5	7.5 197 95	GFA159R99	18.5				
			GFAF159R99			GFAF159R99					
			GF159R99			GF159R99					
			GFF159R99			GFF159R99					

GF39-159
安装结构尺寸

GF39-159
Mounting Dimensional Description



A作法兰安装结构尺寸 (Fig A Mounting Dimension)



机型号 Type Size	q ₁	q	a	h ₁	h	e	p ₃	p ₂	p ₁	k ₃	k ₄	K0	G	电机尺寸 Motor Size		
	S ₁	t ₁	u	t	l ₁	l ₂	l	d	M	S ₂	t ₂	a ₂		AC	AD	L1
GF39	160 M8	72.5 15	77 8	112 28	77 5	95 40	256 50	135 Φ25k6	115 M10	31 M8	20 15	165 /	Φ120	见附录 A-2 和 A-3 Please see appendix A-2 and A-3		
GF49	193 M10	91 15	93 8	128.1 33	80 3.5	109 50	276 60	165 Φ30k6	145 M10	43 M8	25 14	180 /	Φ120			
GF59	220 M12	104.5 17	102 10	136 38	93 7	127 56	321 70	195 Φ35k6	170 M12	55 M12	25 20	200 /	Φ160			
GF69	242 M12	118.5 17	112 12	159.5 43	97 5	131 70	348 80	215 Φ40k6	190 M16	60 M12	25 22	212 /	Φ160			
GF79	294 M16	137.5 26	140 14	200 53.5	122 10	170 80	430 100	275 Φ50k6	240 M16	70 M12	35 17	270 /	Φ200			
GF89	344 M16	163 26	165 18	246.7 64	150 5	195 110	534 120	350 Φ60m6	310 M20	100 M16	40 29	330 /	Φ250			
GF99	415 M20	189.5 33	205 20	285 74.5	180 7.5	240 125	630 140	400 Φ70m6	350 M20	120 M16	50 28	400 /	Φ300			
GF109	484 M24	241.5 38	220 25	332.4 95	200 5	260 160	723 170	460 Φ90m6	400 M24	125 /	60 /	450 /	Φ350			
GF129	586 M30	292 45	270 28	382.6 116	236 15	316 180	861 210	520 Φ110m6	450 M24	142 /	70 /	530 10	Φ450			
GF159	662 M36	325 55	310 32	447 127	286 5	364 200	1021 210	620 Φ120m6	540 M24	170 /	80 /	660 15	Φ550			

注: 1.减速机部分的外形尺寸, 未包含通气帽的高度尺寸。通气帽的高度尺寸为 17。

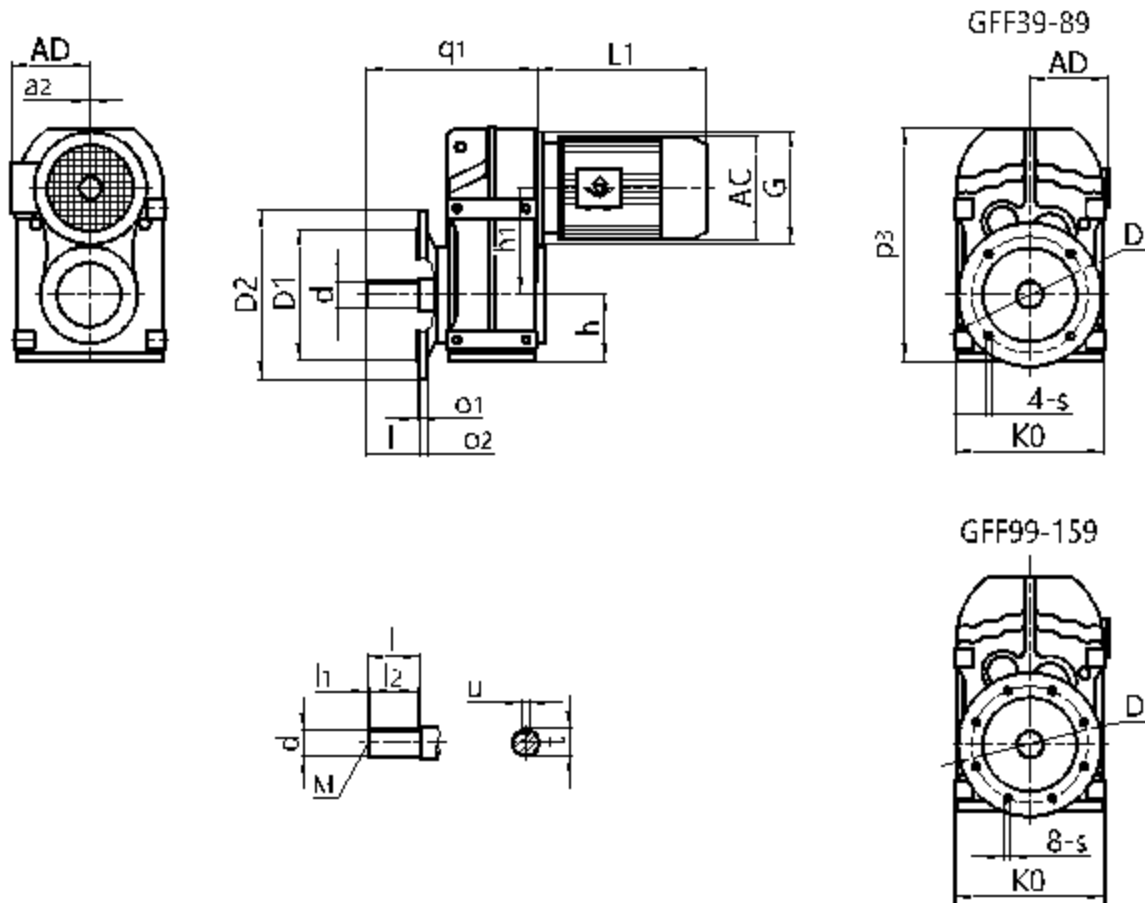
2.电机需方配或配特殊电机时需加联接法兰 (见附录 D)

Note: 1.The dimensions don't include the height of the breathe valve.the height of the breathe valve is 17.

2.When equipping the user's motor or the special one, the flange is required to connected. (Please see appendix D)

GFF39-159
安装结构尺寸

GFF39-159
Mounting Dimensional Description



机型号 Type Size	q1 s	o2 D	o1 K0	d u	D1 t	D2 l1	h1 l2	h l	p3 M	G a2	电机尺寸 Motor Size			
											AC	AD	L1	
GFF39	184 Φ9	10 Φ130	3.5 165	Φ25k6 8	Φ110j6 28	Φ160 5	112 40	77 50	256 M10	Φ120 /	见附录 A-2 和 A-3 Please see appendix A-2 and A-3			
GFF49	218 Φ11	12 Φ165	3.5 180	Φ30k6 8	Φ130j6 33	Φ200 3.5	128.1 50	80 60	276 M10	Φ120 /				
GFF59	243.5 Φ13.5	15 Φ215	4 200	Φ35k6 10	Φ180j6 38	Φ250 7	136 56	93 70	321 M12	Φ160 /				
GFF69	264 Φ13.5	15 Φ215	4 212	Φ40k6 12	Φ180j6 43	Φ250 5	159.5 70	97 80	348 M16	Φ160 /				
GFF79	330 Φ13.5	16 Φ265	4 270	Φ50k6 14	Φ230j6 53.5	Φ300 10	200 80	122 100	430 M16	Φ200 /				
GFF89	374 Φ17.5	18 Φ300	5 330	Φ60m6 18	Φ250h6 64	Φ350 5	246.7 110	150 120	534 M20	Φ250 /				
GFF99	456 Φ17.5	22 Φ400	5 400	Φ70m6 20	Φ350h6 74.5	Φ450 7.5	285 125	180 140	630 M20	Φ300 /				
GFF109	523 Φ17.5	22 Φ400	5 450	Φ90m6 25	Φ350h6 95	Φ450 5	332.4 160	201 170	723 M24	Φ350 /				
GFF129	634 Φ17.5	25 Φ500	5 530	Φ110m6 28	Φ450h6 116	Φ550 15	382.6 180	236 210	861 M24	Φ450 10				
GFF159	725 Φ22	28 Φ600	6 660	Φ120m6 32	Φ550h6 127	Φ660 5	447 200	286 210	1021 M24	Φ550 15				

注： 1.减速机部分的外形尺寸，未包含通气帽的高度尺寸。通气帽的高度尺寸为 17。

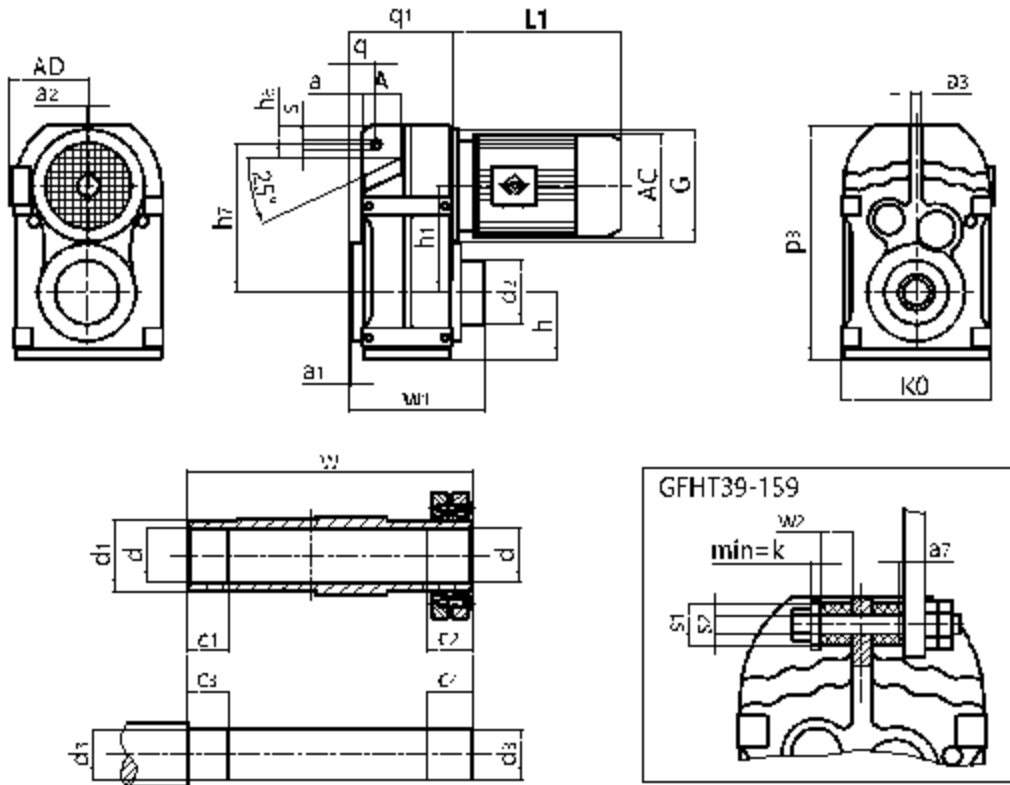
2.电机需方配或配特殊电机时需加联接法兰（见附录 D）

Note: 1.The dimensions don't include the height of the breathe valve.the height of the breathe valve is 17.

2.When equipping the user's motor or the special one, the flange is required to connected. (Please see appendix D)

GFA39-159
安装结构尺寸

GFA39-159
Mounting Dimensional Description



螺栓、螺母、垫片均不在标准供货范围内

机型号 Type Size	q ₁ a ₂	q d	A d ₁	a w	h ₇ c ₁	h ₆ s	h ₁ u	h t	a ₁ s ₁	e s ₂	w ₁ k	p ₃ w ₂	a ₃ a ₇	K0 G	c ₂ M	电机尺寸 Motor Size			
																AC	AD	L1	
GFA39	110 /	31.5 Φ30H7	46 Φ45	15 60	158 17	30 Φ14	112 8	77 33.3	2.5 Φ40	95 Φ12.5 ^{+0.5}	123 5	256 20	12 1	165 Φ120	105 M10×25	见附录 A-2 和 A-3 Please see appendix A-2 and A-3			
GFA49	133 /	32 Φ35H7	64 Φ50	12 75	170 22	22 Φ14	128.1 10	80 38.3	3 Φ40	109 Φ12.5 ^{+0.5}	153 5	276 20	12 1.8	180 Φ120	132 M12×30				
GFA59	150 /	40.5 Φ40H7	60 Φ55	19.5 83	198 29	31 Φ14	136 12	93 43.3	3 Φ40	127 Φ12.5 ^{+0.5}	170 5	321 20	14 2.4	200 Φ160	142 M16×40				
GFA69	161 /	41 Φ40H7	65 Φ55	21 90	218 29	40 Φ14	159.5 12	97 43.3	3.5 Φ40	131 Φ12.5 ^{+0.5}	184 5	348 20	16 3	212 Φ160	156 M16×40				
GFA79	193 /	50 Φ50H7	69 Φ70	26.5 105	278 32	49 Φ22	200 14	122 53.8	4 Φ60	170 Φ21 ^{+0.5}	213 10	430 30	20 3.2	270 Φ200	183 M16×45				
GFA89	224 /	62 Φ60H7	79 Φ85	32 120	346 36	57 Φ22	246.7 18	150 64.4	4 Φ60	195 Φ21 ^{+0.5}	243 10	534 30	26 4.5	330 Φ250	210 M20×50				
GFA99	274 /	70 Φ70H7	104 Φ95	32 150	395 34	88 Φ26	285 20	180 74.9	4 Φ80	240 Φ25 ^{+0.5}	303 12	630 40	30 5	400 Φ300	270 M20×50				
GFA109	312 /	88 Φ90H7	100 Φ118	57 175	485 40	108 Φ26	332.4 25	201 95.4	2.5 Φ80	260 Φ25 ^{+0.5}	353 12	723 40	36 6	450 Φ350	313 M24×60				
GFA129	373 10	110 Φ100H7	125 Φ135	66 205	550 38	138 Φ33	382.6 28	236 106.4	2.5 Φ100	316 Φ32 ^{+0.5}	413 15	861 60	40 9	530 Φ450	373 M24×60				
GFA159	455 15	150 Φ120H7	140 Φ155	98 250	660 36	170 Φ33	447 32	286 127.4	3 Φ120	364 Φ32 ^{+0.5}	503 15	1021 60	45 9	660 Φ550	460 M24×60				

注： 1.减速机部分的外形尺寸，未包含通气帽的高度尺寸。通气帽的高度尺寸为 17。

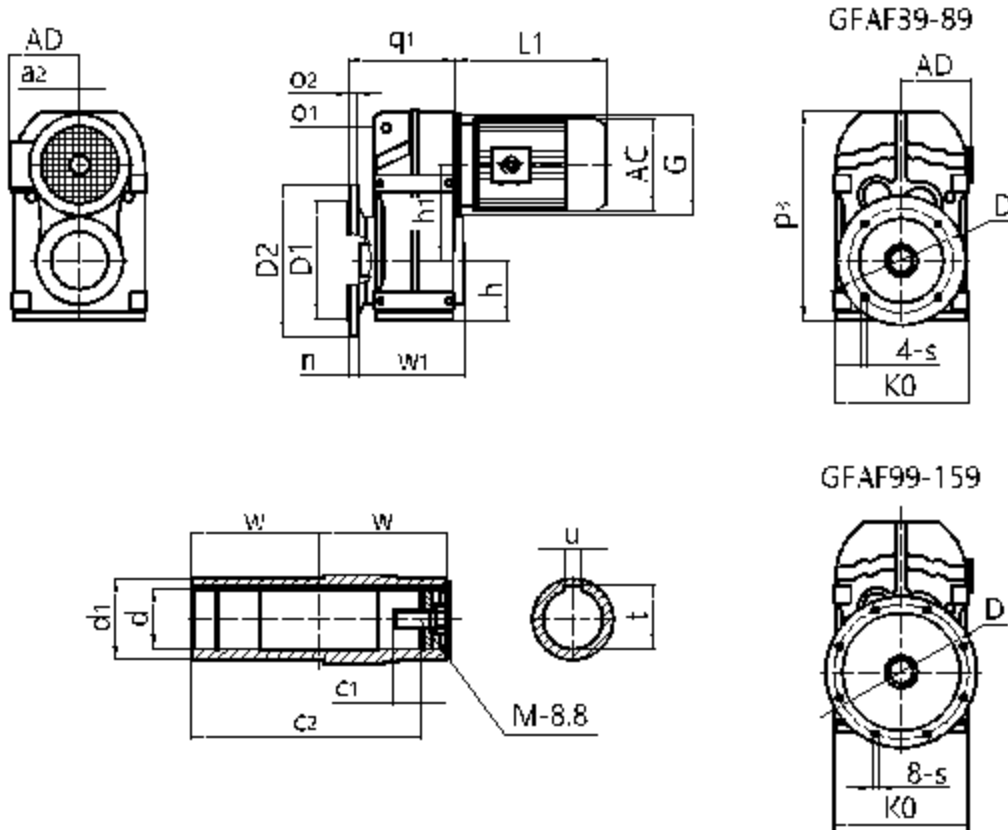
2.电机需方配或配特殊电机时需加联接法兰（见附录 D）

Note: 1.The dimensions don't include the height of the breathe valve.the height of the breathe valve is 17.

2.When equipping the user's motor or the special one, the flange is required to connected. (Please see appendix D)

GFAF39-159
安装结构尺寸

GFAF39-159
Mounting Dimensional Description



机型号 Type Size	q ₁ K0	o ₁ a ₂	o ₂ d	D1 d ₁	D2 w	h ₁ c ₁	h n	w ₁ u	p ₃ t	s D	G c ₂	M	电机尺寸 Motor Size			
													AC	AD	L1	
GFAF39	137.5 165	3.5 /	10 Φ30H7	Φ110j6 Φ45	Φ160 60	112 17	77 24	123 8	256 33.3	Φ9 Φ130	Φ120 105	M10×25	见附录 A-2 和 A-3 Please see appendix A-2 and A-3			
GFAF49	161.5 180	3.5 /	12 Φ35H7	Φ130j6 Φ50	Φ200 75	128.1 22	80 25	153 10	276 38.3	Φ11 Φ165	Φ120 132	M12×30				
GFAF59	177.5 200	4 /	15 Φ40H7	Φ180j6 Φ55	Φ250 83	136 29	93 23.5	170 12	321 43.3	Φ13.5 Φ215	Φ160 142	M16×40				
GFAF69	188 212	4 /	15 Φ40H7	Φ180j6 Φ55	Φ250 90	159.5 29	97 23	184 12	348 43.3	Φ13.5 Φ215	Φ160 156	M16×40				
GFAF79	234 270	4 /	16 Φ50H7	Φ230j6 Φ70	Φ300 105	200 32	122 37	213 14	430 53.8	Φ13.5 Φ265	Φ200 183	M16×45				
GFAF89	259 330	5 /	18 Φ60H7	Φ250h6 Φ85	Φ350 120	246.7 36	150 30	243 18	534 64.4	Φ17.5 Φ300	Φ250 210	M20×50				
GFAF99	320.5 400	5 /	22 Φ70H7	Φ350h6 Φ95	Φ450 150	285 34	180 41.5	303 20	630 74.9	Φ17.5 Φ400	Φ300 270	M20×50				
GFAF109	358 450	5 /	22 Φ90H7	Φ350h6 Φ118	Φ450 175	332.4 40	201 41	353 25	723 95.4	Φ17.5 Φ400	Φ350 313	M24×60				
GFAF129	429 530	5 10	25 Φ100H7	Φ450h6 Φ135	Φ550 205	382.6 38	236 51	413 28	861 106.4	Φ17.5 Φ500	Φ450 373	M24×60				
GFAF159	521 660	6 15	28 Φ120H7	Φ550h6 Φ155	Φ660 250	447 36	286 60	503 32	1021 127.4	Φ22 Φ600	Φ550 460	M24×60				

注： 1.减速机部分的外形尺寸，未包含通气帽的高度尺寸。通气帽的高度尺寸为 17。

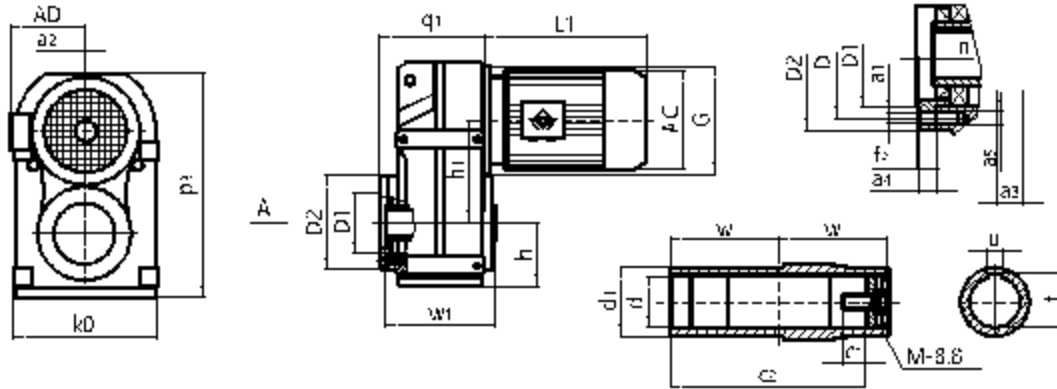
2.电机需方配或配特殊电机时需加联接法兰（见附录 D）

Note: 1.The dimensions don't include the height of the breathe valve.the height of the breathe valve is 17.

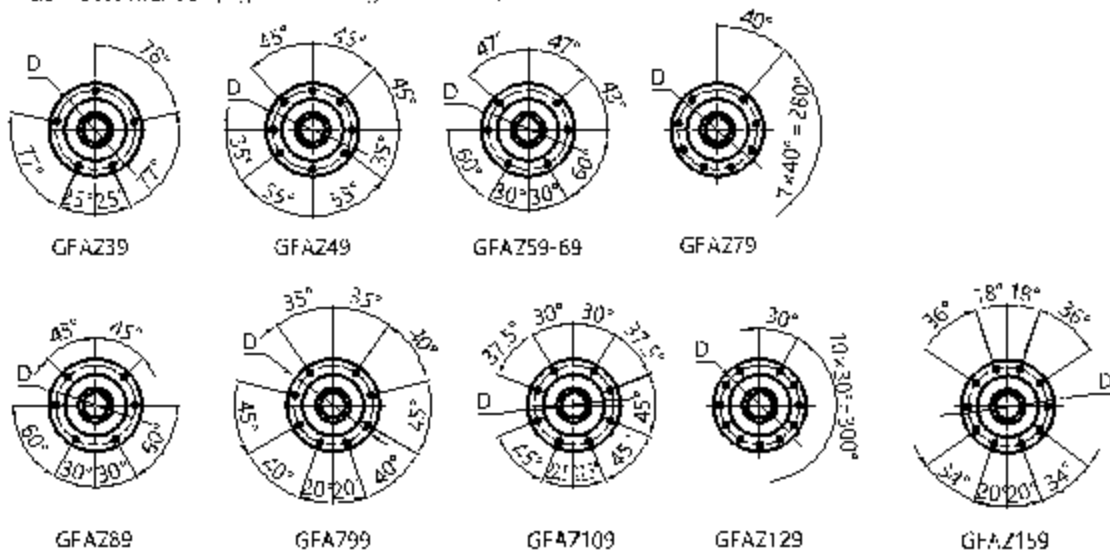
2.When equipping the user's motor or the special one, the flange is required to connected. (Please see appendix D)

GFAZ39-159
安装结构尺寸

GFAZ39-159
Mounting Dimensional Description



A 可法兰安装结构尺寸 (Fig. A Mounting Dimensions)



机型号 Type Size	q ₁ k ₀	h h ₁	t D	D ₂ D ₁	p ₃ n	a ₄ a ₃	a ₅ w ₁	w c ₁	c ₂ u	d ₁ d	a ₂ f ₂	a ₁ M	G	电机尺寸 Motor Size		
														AC	AD	L1
GFAZ39	122 165	77 112	33.3 Φ94	Φ110 Φ80j6	256 9	11.5 15	M8 123	60 17	105 8	Φ45 Φ30H7	/ 3	Φ9 M10×25	Φ120	见附录 A-2 和 A-3 Please see appendix A-2 and A-3		
GFAZ49	144 180	80 128.1	38.3 Φ102	Φ120 Φ80j6	276 8	11 14	M8 153	75 22	132 10	Φ50 Φ35H7	/ 3	Φ9 M12×30	Φ120			
GFAZ59	162.5 200	93 136	43.3 Φ125	Φ155 Φ105j6	321 9	12 20	M12 170	83 29	142 12	Φ55 Φ40H7	/ 3.5	Φ13.5 M16×40	Φ160			
GFAZ69	173 212	97 159.5	43.3 Φ125	Φ155 Φ105j6	348 8.5	12 22	M12 184	90 29	156 12	Φ55 Φ40H7	/ 3.5	Φ13.5 M16×40	Φ160			
GFAZ79	206.5 270	122 200	53.8 Φ142	Φ170 Φ125j6	430 10	14 20	M12 213	105 32	183 14	Φ70 Φ50H7	/ 3.5	Φ13.5 M16×45	Φ200			
GFAZ89	239 330	150 246.7	64.4 Φ178	Φ215 Φ155j6	534 11	15 29	M16 243	120 36	210 18	Φ85 Φ60H7	/ 4	Φ17.5 M20×50	Φ250			
GFAZ99	292 400	180 285	74.9 Φ220	Φ260 Φ180j6	630 14	18 28	M16 303	150 34	270 20	Φ95 Φ70H7	/ 4	Φ17.5 M20×50	Φ300			
GFAZ109	308 450	201 332.4	95.4 Φ260	Φ304 Φ210j6	723 -8	22 32	M20 353	175 40	313 25	Φ118 Φ90H7	/ 4	Φ22 M24×60	Φ350			
GFAZ129	378 530	236 382.6	106.4 Φ300	Φ350 Φ250h6	861 0	30 36	M20 413	205 38	373 28	Φ135 Φ100H7	10 5	Φ22 M24×60	Φ450			
GFAZ159	455 660	286 447	127.4 Φ340	Φ400 Φ290h6	1021 -14	28 48	M24 503	250 36	460 32	Φ155 Φ120H7	15 5	Φ26 M24×60	Φ550			

注： 1.减速机部分的外形尺寸，未包含通气帽的高度尺寸。通气帽的高度尺寸为 17。

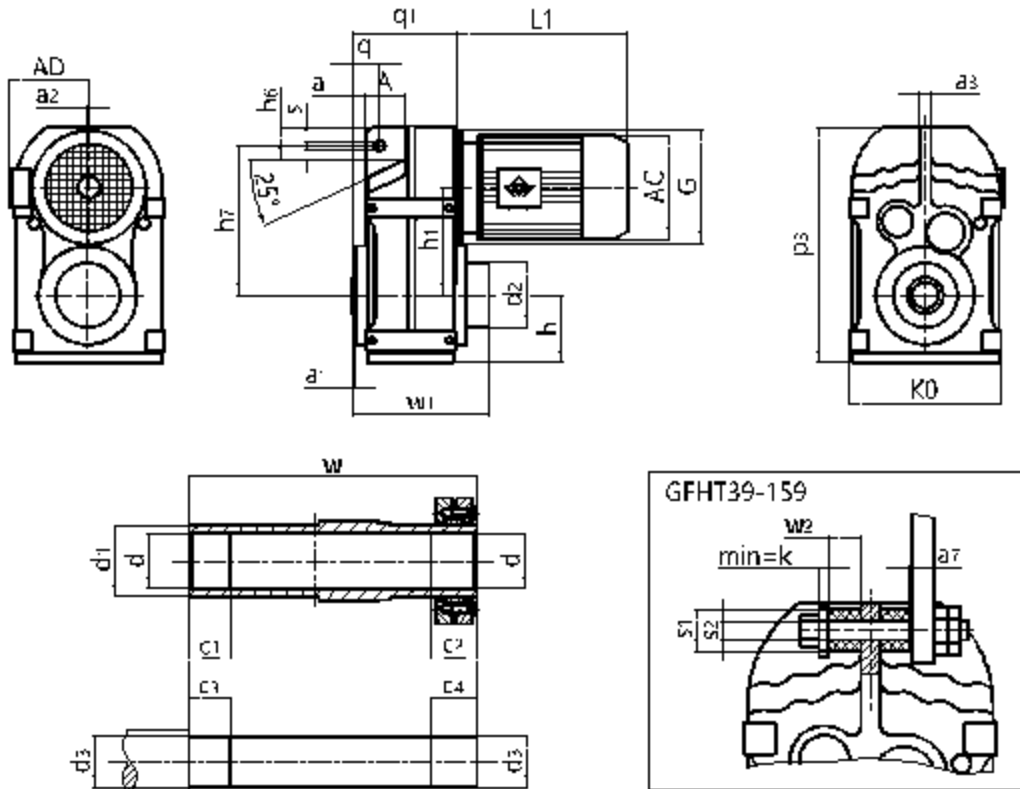
2.电机需方配或配特殊电机时需加联接法兰（见附录 D）

Note: 1.The dimensions don't include the height of the breathe valve.the height of the breathe valve is 17.

2.When equipping the user's motor or the special one, the flange is required to connected. (Please see appendix D)

GFH39-159
安装结构尺寸

GFH39-159
Mounting Dimensional Description



螺栓、螺母、垫片均不在标准供货范围内

机型号 Type Size	q ₁ p ₃	h h ₁	h ₇ h ₆	w w ₁	c ₂ c ₁	c ₃ c ₄	q A	d ₂ d ₁	d d ₃	a a ₁	s a ₂	a ₃ K0	s ₁ s ₂	k w ₂	a ₇ G	电机尺寸 Motor Size							
																AC	AD	L1					
GFH39	110	77	158	146	31	25	31.5	Φ80	Φ30H7	15	Φ14	12	Φ40	5	1	见附录 A-2 和 A-3 Please see appendix A-2 and A-3							
	256	112	30	152.5	20	36	46	Φ45	Φ30h6	2.5	/	165	Φ12.5 ^{+0.5}	20	Φ120								
GFH49	133	80	170	177	32	25	32	Φ88	Φ35H7	12	Φ14	12	Φ40	5	1.8		见附录 A-2 和 A-3 Please see appendix A-2 and A-3						
	276	128.1	22	183	20	37	64	Φ50	Φ35h6	3	/	180	Φ12.5 ^{+0.5}	20	Φ120								
GFH59	150	93	198	195	26	25	40.5	Φ102	Φ40H7	19.5	Φ14	14	Φ40	5	2.4			见附录 A-2 和 A-3 Please see appendix A-2 and A-3					
	321	136	31	202	20	31	60	Φ55	Φ40h6	3	/	200	Φ12.5 ^{+0.5}	20	Φ160								
GFH69	161	97	218	208	38	25	41	Φ102	Φ40H7	21	Φ14	16	Φ40	5	3				见附录 A-2 和 A-3 Please see appendix A-2 and A-3				
	348	159.5	40	215.5	20	43	65	Φ55	Φ40h6	3.5	/	212	Φ12.5 ^{+0.5}	20	Φ160								
GFH79	193	122	278	241	36	35	50	Φ127	Φ50H7	26.5	Φ22	20	Φ60	10	3.2					见附录 A-2 和 A-3 Please see appendix A-2 and A-3			
	430	200	50	249	30	41	69	Φ70	Φ50h6	4	/	270	Φ21 ^{+0.5}	30	Φ200								
GFH89	224	150	346	281	41	45	62	Φ157	Φ65H7	32	Φ22	26	Φ60	10	4.5	见附录 A-2 和 A-3 Please see appendix A-2 and A-3							
	534	246.7	57	287	40	46	79	Φ85	Φ65h6	4	/	330	Φ21 ^{+0.5}	30	Φ250								
GFH99	274	180	395	345	55	55	70	Φ171	Φ75H7	34	Φ26	30	Φ80	12	5		见附录 A-2 和 A-3 Please see appendix A-2 and A-3						
	630	285	88	352	50	60	104	Φ95	Φ75h6	4	/	400	Φ25 ^{+0.5}	40	Φ300								
GFH109	312	201	485	405	65	70	88	Φ234	Φ95H7	57	Φ26	36	Φ80	12	6			见附录 A-2 和 A-3 Please see appendix A-2 and A-3					
	723	332.4	108	417	60	75	100	Φ118	Φ95h6	2.5	/	450	Φ25 ^{+0.5}	40	Φ350								
GFH129	373	236	550	485	85	80	110	Φ233	Φ105H7	66	Φ33	40	Φ100	15	9				见附录 A-2 和 A-3 Please see appendix A-2 and A-3				
	861	382.6	138	493	70	95	125	Φ135	Φ105h6	2.5	10	530	Φ32 ^{+0.5}	60	Φ450								
GFH159	455	286	660	580	90	90	150	Φ287	Φ125H7	98	Φ33	45	Φ120	15	9					见附录 A-2 和 A-3 Please see appendix A-2 and A-3			
	1021	447	170	592	80	100	140	Φ155	Φ125h6	3	15	660	Φ32 ^{+0.5}	60	Φ550								

注： 1.减速机部分的外形尺寸，未包含通气帽的高度尺寸。通气帽的高度尺寸为 17。

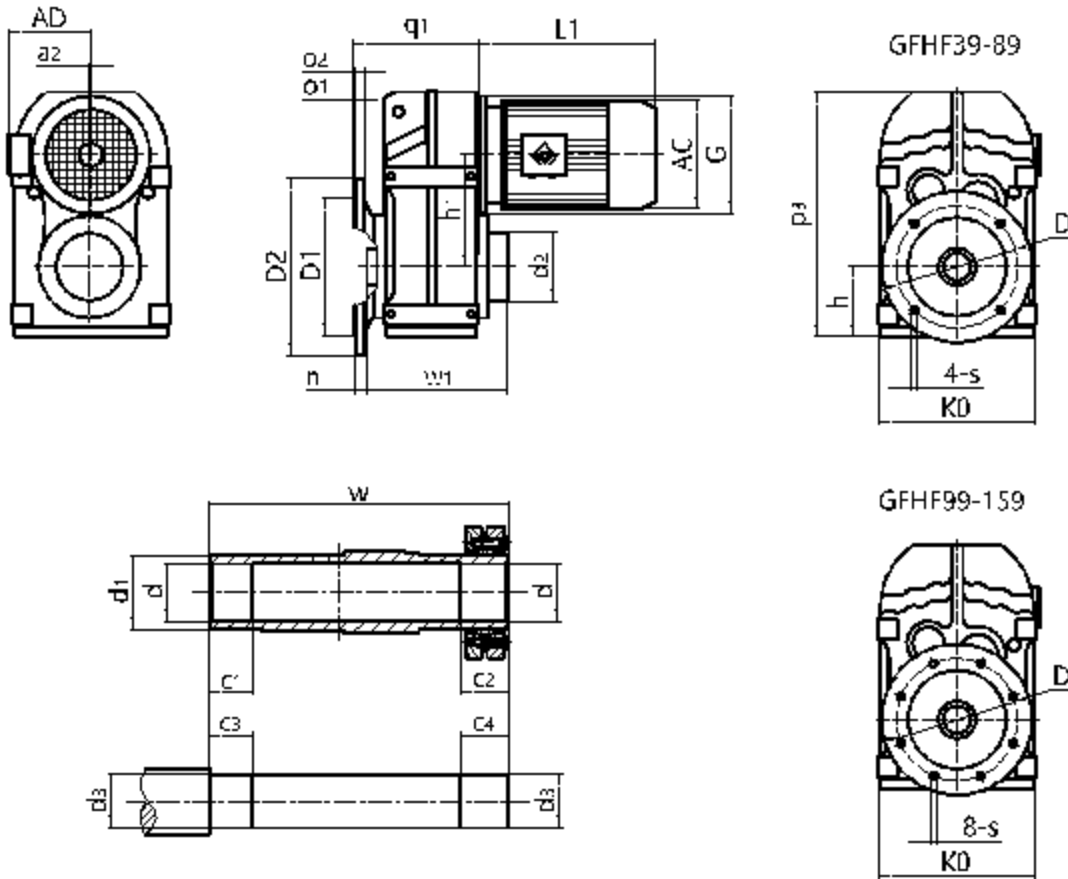
2.电机需方配或配特殊电机时需加联接法兰（见附录 D）

Note: 1.The dimensions don't include the height of the breathe valve.the height of the breathe valve is 17.

2.When equipping the user's motor or the special one, the flange is required to connected. (Please see appendix D)

GFHF39-159
安装结构尺寸

GFHF39-159
Mounting Dimensional Description



机型号 Type Size	q ₁ p ₃	o ₁ o ₂	h h ₁	n s	K0 D	D1 D2	d ₂ d ₁	d d ₃	w w ₁	c ₁ c ₂	c ₃ c ₄	a ₂ G	电机尺寸 Motor Size			
													AC	AD	L1	
GFHF39	137.5	3.5	77	24	165	Φ110j6	Φ80	Φ30H7	146	20	25	/	见附录 A-2 和 A-3 Please see appendix A-2 and A-3			
	256	10	112	Φ9	Φ130	Φ160	Φ45	Φ30h6	152.5	31	36	Φ120				
GFHF49	161.5	3.5	80	25	180	Φ130j6	Φ88	Φ35H7	177	20	25	/				
	276	12	128.1	Φ11	Φ165	Φ200	Φ50	Φ35h6	183	32	37	Φ120				
GFHF59	177.5	4	93	23.5	200	Φ180j6	Φ102	Φ40H7	195	20	25	/				
	321	15	136	Φ13.5	Φ215	Φ250	Φ55	Φ40h6	202	26	31	Φ160				
GFHF69	188	4	97	23	212	Φ180j6	Φ102	Φ40H7	208	20	25	/				
	348	15	159.5	Φ13.5	Φ215	Φ250	Φ55	Φ40h6	215.5	38	43	Φ160				
GFHF79	234	4	122	37	270	Φ230j6	Φ127	Φ50H7	241	30	35	/				
	430	16	200	Φ13.5	Φ265	Φ300	Φ70	Φ50h6	249	36	41	Φ200				
GFHF89	259	5	150	30	330	Φ250h6	Φ157	Φ65H7	281	40	45	/				
	534	18	246.7	Φ17.5	Φ300	Φ350	Φ85	Φ65h6	287	41	46	Φ250				
GFHF99	320.5	5	180	41.5	400	Φ350h6	Φ171	Φ75H7	345	50	55	/				
	630	22	285	Φ17.5	Φ400	Φ450	Φ95	Φ75h6	352	55	60	Φ300				
GFHF109	358	5	201	41	450	Φ350h6	Φ234	Φ95H7	405	60	70	/				
	723	22	332.4	Φ17.5	Φ400	Φ450	Φ118	Φ95h6	417	65	75	Φ350				
GFHF129	429	5	236	51	530	Φ450h6	Φ233	Φ105H7	485	70	80	10				
	861	25	382.6	Φ17.5	Φ500	Φ550	Φ135	Φ105h6	493	85	95	Φ450				
GFHF159	521	6	286	60	660	Φ550h6	Φ287	Φ125H7	580	80	90	15				
	1021	28	447	Φ22	Φ600	Φ660	Φ155	Φ125h6	592	90	100	Φ550				

注： 1.减速机部分的外形尺寸，未包含通气帽的高度尺寸。通气帽的高度尺寸为 17。

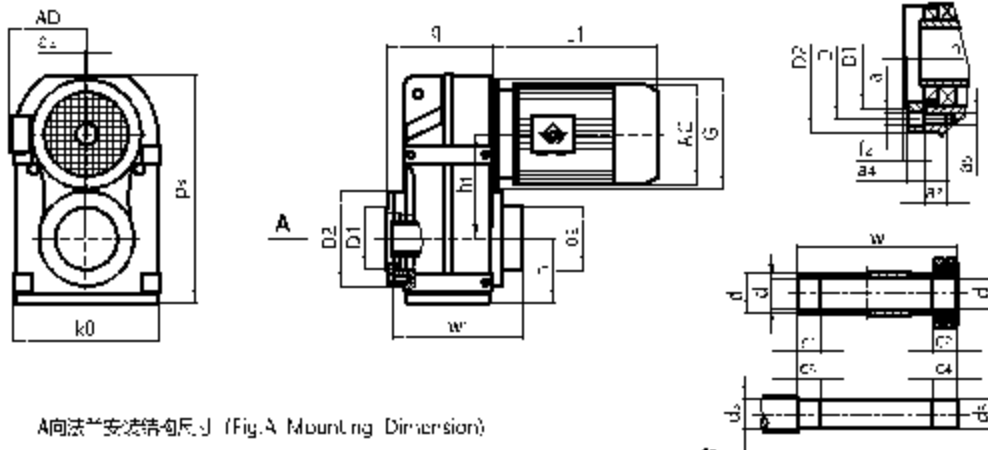
2.电机需方配或配特殊电机时需加联接法兰（见附录 D）

Note: 1.The dimensions don't include the height of the breathe valve.the height of the breathe valve is 17.

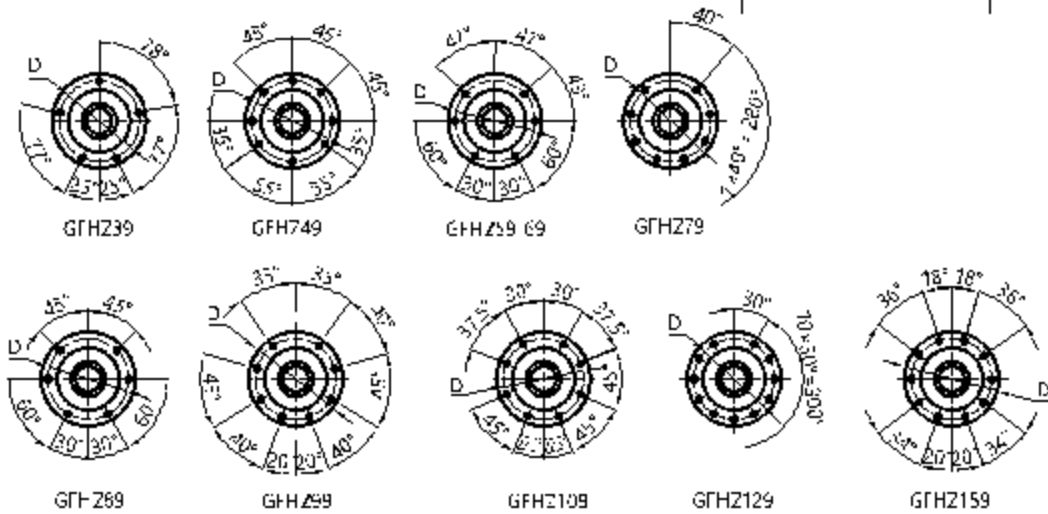
2.When equipping the user's motor or the special one, the flange is required to connected. (Please see appendix D)

GFHZ39-159
安装结构尺寸

GFHZ39-159
Mounting Dimensional Description



A向法兰安装结构尺寸 (Fig.A Mounting Dimension)



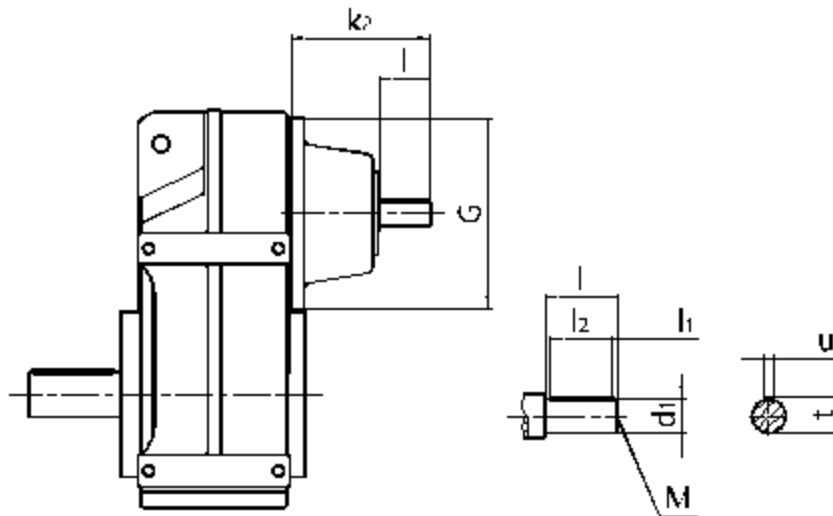
机型号 Type Size	q1 K0	h h1	D2 D1	p3 n	a4 a3	a5 G	w w1	c2 c1	c3 c4	d2 d1	d d3	a2 f2	a1 D	电机尺寸 Motor Size				
														AC	AD	L1		
GFHZ39	122	77	Φ110	256	11.5	M8	146	31	25	Φ80	Φ30H7	/	Φ9	见附录 A-2 和 A-3 Please see appendix A-2 and A-3				
	165	112	Φ80j6	9	15	Φ120	152.5	20	36	Φ45	Φ30h6	3	Φ94					
GFHZ49	144	80	Φ120	276	11	M8	177	32	25	Φ88	Φ35H7	/	Φ9					
	180	128.1	Φ80j6	8	14	Φ120	183	20	37	Φ50	Φ35h6	3	Φ102					
GFHZ59	162.5	93	Φ155	321	12	M12	195	26	25	Φ102	Φ40H7	/	Φ13.5					
	200	136	Φ105j6	9	20	Φ160	202	20	31	Φ55	Φ40h6	3.5	Φ125					
GFHZ69	173	97	Φ155	348	12	M12	208	38	25	Φ102	Φ40H7	/	Φ13.5					
	212	159.5	Φ105j6	8.5	22	Φ160	215.5	20	43	Φ55	Φ40h6	3.5	Φ125					
GFHZ79	206.5	122	Φ170	430	14	M12	241	36	35	Φ127	Φ50H7	/	Φ13.5					
	270	200	Φ125j6	10	20	Φ200	249	30	41	Φ70	Φ50h6	3.5	Φ142					
GFHZ89	239	150	Φ215	534	15	M16	281	41	45	Φ157	Φ65H7	/	Φ17.5					
	330	246.7	Φ155j6	11	29	Φ250	287	40	46	Φ85	Φ65h6	4	Φ178					
GFHZ99	292	180	Φ260	630	18	M16	345	55	55	Φ171	Φ75H7	/	Φ17.5					
	400	285	Φ180j6	14	28	Φ300	352	50	60	Φ95	Φ75h6	4	Φ220					
GFHZ109	308	201	Φ304	723	22	M20	405	65	70	Φ234	Φ95H7	/	Φ22					
	450	332.4	Φ210j6	-8	32	Φ350	417	60	75	Φ118	Φ95h6	4	Φ260					
GFHZ129	378	236	Φ350	861	30	M20	485	85	80	Φ233	Φ105H7	10	Φ22					
	530	382.6	Φ250h6	0	36	Φ450	493	70	95	Φ135	Φ105h6	5	Φ300					
GFHZ159	455	286	Φ400	1021	28	M24	580	90	90	Φ287	Φ125H7	15	Φ26					
	660	447	Φ290h6	-14	48	Φ550	592	80	100	Φ155	Φ125h6	5	Φ340					

注： 1.减速机部分的外形尺寸，未包含通气帽的高度尺寸。通气帽的高度尺寸为 17。

2.电机需方配或配特殊电机时需加联接法兰（见附录 D）

Note: 1.The dimensions don't include the height of the breathe valve.the height of the breathe valve is 17.

2.When equipping the user's motor or the special one, the flange is required to connected. (Please see appendix D)

GF..39-159AD1-8
安装结构尺寸
GF..39-159AD1-8
Mounting Dimensional Description


机型号 Type Size	规格 Specification	适用功率范围(kW)/4P Range Power	d ₁	G	k ₂	l	M	l ₁	l ₂	t	u
GF..39/49	AD1	0.12-0.18	16k6	Φ120	130	40	M5	4	32	18	5
	AD2	0.25-3	19k6	Φ120	130	40	M6	4	32	21.5	6
GF..59/69	AD2	0.12-1.5	19k6	Φ160	149	40	M6	4	32	21.5	6
	AD3	2.2-5.5	24k6	Φ160	159	50	M8	5	40	27	8
GF..79	AD2	0.37-1.5	19k6	Φ200	184	40	M6	4	32	21.5	6
	AD3	2.2-4	24k6	Φ200	194	50	M8	5	40	27	8
	AD4	5.5-11	38k6	Φ200	224	80	M12	5	70	41	10
GF..89	AD2	0.75-1.5	19k6	Φ250	136	40	M6	4	32	21.5	6
	AD3	2.2-4	28k6	Φ250	156	60	M10	5	50	31	8
	AD4	5.5-7.5	38k6	Φ250	262	80	M12	5	70	41	10
	AD5	11-22	42k6	Φ250	292	110	M16	10	70	45	12
GF..99	AD3	1.1-4	28k6	Φ300	194	60	M10	5	50	31	8
	AD4	5.5-7.5	38k6	Φ300	214	80	M12	5	70	41	10
	AD5	11-22	42k6	Φ300	327	110	M16	10	70	45	12
	AD6	30	48k6	Φ300	327	110	M16	10	80	51.5	14
GF..109	AD3	2.2-4	28k6	Φ350	188	60	M10	5	50	31	8
	AD4	5.5-7.5	38k6	Φ350	208	80	M12	5	70	41	10
	AD5	11-22	42k6	Φ350	321	110	M16	10	70	45	12
	AD6	30-45	48k6	Φ350	321	110	M16	10	80	51.5	14
GF..129	AD4	7.5	38k6	Φ450	270	80	M12	5	70	41	10
	AD5	11-22	42k6	Φ450	300	110	M16	10	90	45	12
	AD6	30-45	48k6	Φ450	300	110	M16	10	90	51.5	14
	AD7	55	55m6	Φ450	300	110	M20	10	90	59	16
	AD8	75-90	70m6	Φ450	383	140	M20	15	110	74.5	20
GF..159	AD5	11-22	42k6	Φ550	344	110	M16	10	90	45	12
	AD6	30-45	48k6	Φ550	344	110	M16	10	90	51.5	14
	AD7	55-90	55m6	Φ550	344	110	M20	10	90	59	16
	AD8	110-200	70m6	Φ550	374	140	M20	15	110	74.5	20

其它尺寸请参照 GF 型。

注： 1.GFA/GFAF/GFF/GFAZ/GFH/GFHF/GFHZ 均可采用双轴型，并分别记为 GFA.AD...、GFAF.AD...、GFF.AD...、GFAZ.AD...、GFH.AD...、GFHF.AD...和 GFHZ.AD...。

2.通过联轴器联接，可直接参考上表功率范围；若电机和减速机之间是通过其他极数电机、齿轮、链轮、皮带轮等传动方式联接，需客户自行转换。

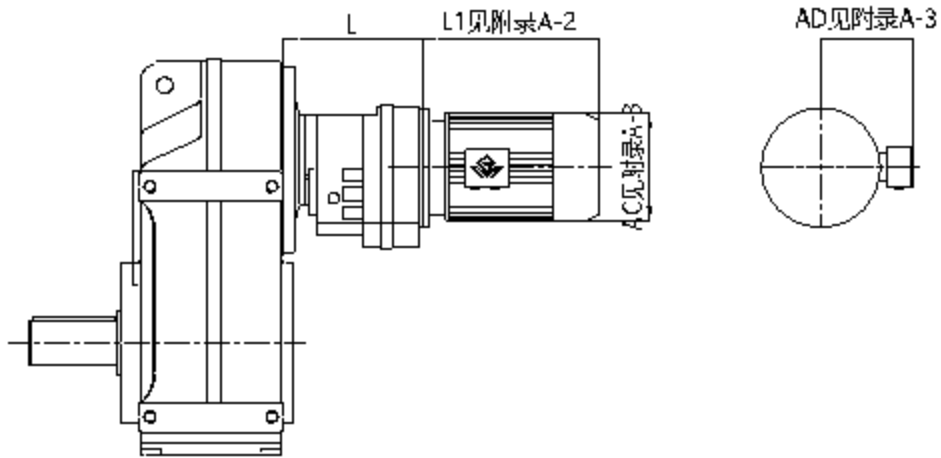
For other dimensions, see the type GF.

Note: 1.Double shafts type is also available for type GFA/GFAF/GFF/GFAZ/GFH/GFHF/GFHZ, and these double shafts types are respectively named type GFA.AD..., GFAF.AD..., GFF.AD..., GFAZ.AD..., GFH.AD..., GFHF.AD... and GFHZ.AD....

2.Applicable power refers to the input torque of 4 pole motor. If the connect way is coupling, can see the power range on the table directly, if the connect way is other pole motor, sprocket, belt pulley, need customers to convert by themselves.

GF..R..
安装结构尺寸

GF..R..
Mounting Dimensional Description



机型号 Type Size	机座号 Frame Size	L
GF..39R19 GF..49R19	63	135
	71	
	80	
GF..59R39	63	163
	71	
	80	
GF..69R39	63	163
	71	
	80	
GF..79R39	63	163
	71	
	80	
	90	
GF..89R59	63	216
	71	
	80	
	90	
	100	
GF..99R59	63	216
	71	
	80	
	90	
	100	
	112	
GF..109R79	63	251
	71	
	80	
	90	
	100	
	112	
	132	
	160	

机型号 Type Size	机座号 Frame Size	L
GF..129R79	63	241
	71	
	80	
	90	
	100	
	112	
GF..129R89	132	280
	160	
	90	
	100	
	112	
GF..159R99	132	332
	160	
	180	
	80	
	90	
	100	
	112	
	132	

注： 1.GFA/GFAF/GFF/GFAZ/GFH/GFHF/GFHZ 均可采用串联组合机型。

2.电机需方配或配特殊电机时需加联接法兰（见附录 D）

Note: 1.Combined type is also available for type GFA/GFAF/GFF/GFAZ/GFH/GFHF/GFHZ.

2.When equipping the user's motor or the special one, the flange is required to connected. (Please see appendix D)

叶轮给煤机专用减速机

本系列产品为叶轮给煤机设计制造。

产品的特点为：

- 1、齿轮采用高强度低碳合金钢，经渗碳淬磨齿加工，齿轮精度高，硬度高。
- 2、配置有高承载能力的轴承，能承受不大于30000N的轴向推力。
- 3、输出轴端采用迷宫和油封双重密封。
- 4、箱体采用高强度铸铁，因而单位体积承载能力高，体积小。
- 5、主要零部件都经过精密加工，并通过精心组装和测试，因而减速机噪声低。
- 6、传动效率高，不低于95%，可长时间连续运行。

300-600 吨叶轮给煤机减速机

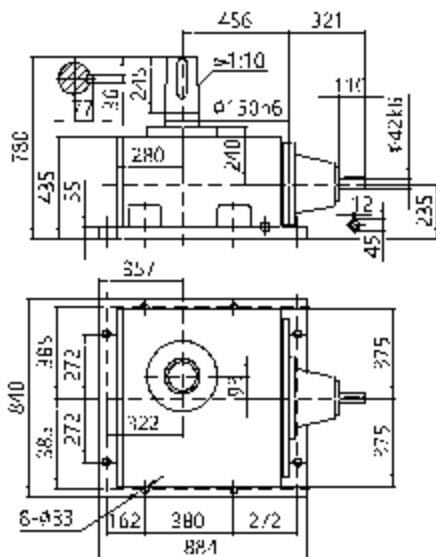
型号：GYJS-A/A(输入轴型)；GYJS-A/B(电机型)；

主要技术参数：

- 1、输入功率：15kW
- 2、输入转速：1460r/min
- 3、公称速比：120
- 4、输出扭矩：11500N·m
- 5、承载能力：20000N·m
- 6、轴向承载能力：不大于30000N
- 7、减速机重量(不包括电机)：880kg

输入轴型外形及安装尺寸：

Overall and installation dimension of input shaft types:



Impeller Coal Feeder Reducer

This series of products are designed and manufactured for the impeller coal feeder

The features of the product are:

1. The gear is made of high strength low carbon alloy steel, After carburizing, quenching and grinding the gear has high precision and hardness.
2. The bearing is equipped with high bearing capacity and can withstand axial thrust of no more than 30000N.
3. Output shaft end adopts labyrinth and oil seal double sealing.
4. The box body is made of high strength cast iron, so the unit volume bearing capacity is high and the volume is small.
5. The main parts and components are precisely machined, and carefully assembled and tested, thus reducing the noise of the reducer.
6. High transmission efficiency, no less than 95%, can run for a long time.

300-600 ton Impeller coal feeder reducer.

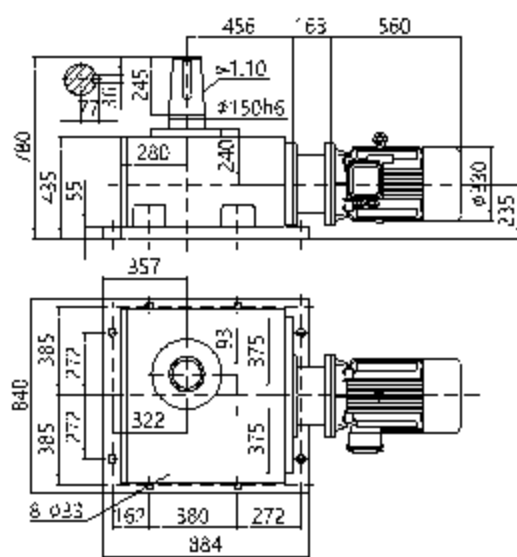
Type: GYJS-A/A(the input shaft type); GYJS-A/B(with motor type);

Main technical parameters:

1. Input power: 15kW
2. Input speed: 1460r/min
3. Speed ratio: 120
4. Output torque: 11500N·m
5. Carrying capacity: 20000N·m
6. Axial bearing capacity: lower than 30000N
7. Reducer weight(not include motor): 880kg

电机型外形及安装尺寸：

Overall and installation dimension of electric motor types:



1000-1500 吨叶轮给煤机减速机

型号: GYJS-B/A(输入轴型); GYJS-B/B(电机型);

主要技术参数:

- 1、输入功率: 22kW
- 2、输入转速: 1470r/min
- 3、公称速比: 120
- 4、输出扭矩: 17000N·m
- 5、承载能力: 40000N·m
- 6、轴向承载能力: 不大于 40000N
- 7、减速机重量(不包括电机): 1630kg

1000-1500 ton Impeller coal feeder reducer.

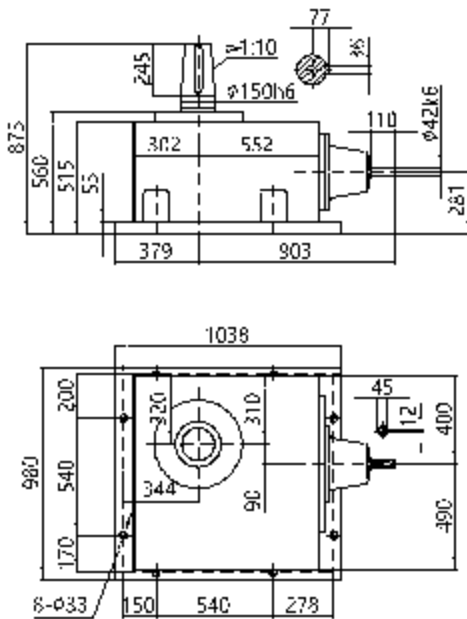
Type: GYJS-B/A(the input shaft type); GYJS-B/B(with motor type);

Main technical parameters:

1. Input power: 22kW
2. Input speed: 1470r/min
3. Speed ratio: 120
4. Output torque: 17000N·m
5. Carrying capacity: 40000N·m
6. Axial bearing capacity: lower than 40000N
7. Reducer weight(not include motor): 1630kg

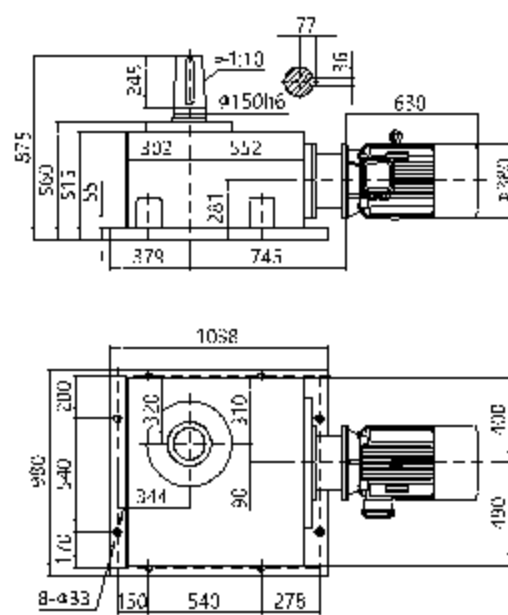
输入轴型外形及安装尺寸:

Overall and installation dimension of input shaft types:



电机型外形及安装尺寸:

Overall and installation dimension of electric motor types:



附录 A-1
Appendix A-1
标准普通电机技术参数 (IE2)
Technical Date of Standard Ordinary Motors (IE2)

机座号 Frame size	额定功率 Rated power/kW	满载时 Full load				堵转电流 Blocked current	堵转转矩 Blocked torque	最大转矩 Max torque	转动惯量 Moment of inertia / (kg.m ²)	净重 Weight /kg*
		转速 Speed / (r/min)*	电流 Current /A*	效率 Eff / (%)	功率因数 Power Factor*	额定电流 Rated current	额定转矩 Rated torque	额定转矩 Rated torque		
同步转速 3000r/min 2 极 Synchronous Speed 3000r/min 2P										
631-2	0.18	2720	0.53	65.0	0.80	5.5	2.2	—	9	
632-2	0.25		0.69	68.0	0.81				10	
711-2	0.37	2740	0.99	70.0	0.81	6.1	2.3	—	14	
712-2	0.55		1.4	73.0	0.82				15	
801-2	0.75	2830	1.83	75.0	0.83	7.0	2.2	0.00075	16	
802-2	1.1		2.55	77.0	0.84				17	
90S-2	1.5	2840	3.4	79.0	0.84	7.0	2.2	0.0012	22	
90L-2	2.2		4.8	81.0	0.85				25	
100L-2	3.0	2870	6.31	83.0	0.87	7.5	2.2	0.0029	33	
112M-2	4.0	2890	8.23	85.0	0.88				45	
132S1-2	5.5	2900	11.18	86.0	0.88	7.5	2.3	0.0109	64	
132S2-2	7.5		15.06	87.0	0.88				70	
160M1-2	11	2930	21.35	88.0	0.89	7.5	2.3	0.0377	117	
160M2-2	15		28.78	89.0	0.89				125	
160L-2	18.5	2940	34.72	90.0	0.89	7.5	2.0	0.055	147	
180M-2	22		41.28	90.5	0.89				180	
200L1-2	30	2950	55.37	91.2	0.90	7.1	1.8	0.124	240	
200L2-2	37		67.92	92.0	0.90				255	
225M-2	45	2970	82.16	92.3	0.91	7.1	2.2	0.233	309	
250M-2	55		100.1	92.5	0.91				403	
280S-2	75	2980	134.0	93.2	0.91	7.1	1.6	0.597	544	
280M-2	90		160.27	93.8	0.91				620	
315S-2	110	2980	195.46	94.0	0.92	7.1	2.2	1.18	980	
315M-2	132		233.3	94.5	0.92				1080	
315L1-2	160	2980	279.44	94.6	0.92	7.1	2.2	2.08	1160	
315L2-2	200		347.83	94.8	0.92				1190	
355M-2	250	2980	432.5	95.3	0.92	7.1	2.2	3.56	1760	
355L-2	315		543.25	95.6	0.92				1850	

附录 A-1
Appendix A-1

机座号 Frame size	额定功率 Rated power/kW	满载时 Full load				堵转电流 Blocked current	堵转转矩 Blocked torque	最大转矩 Max torque	转动惯量 Moment of inertia / (kg.m ²)	净重 Weight /kg*
		转速 Speed / (r/min)*	电流 Current /A*	效率 Eff / (%)	功率因数 Power factor*	额定电流 Rated current	额定转矩 Rated torque	额定转矩 Rated torque		
同步转速 1500r/min 4 极 Synchronous Speed 1500r/min 4P										
631-4	0.12	1310	0.44	57.0	0.72	4.4	2.1	2.2	—	9
632-4	0.18		0.62	60.0	0.73					10
711-4	0.25	1330	0.79	65.0	0.74	5.2	2.4	2.3	0.0018	13
712-4	0.37		1.12	67.0	0.75					14
801-4	0.55	1390	1.57	71.0	0.77	6.0	2.3	2.3	0.0021	17
802-4	0.75		2.03	73.0						0.77
90S-4	1.1	1400	2.82	75.0	0.79	7.0	2.2	2.3	0.0021	22
90L-4	1.5		3.7	78.0						0.79
100L1-4	2.2	1430	5.16	80.0	0.81	7.2	2.2	2.3	0.0054	34
100L2-4	3.0		6.78	82.0	0.82					38
112M-4	4.0	1440	8.83	84.0	0.83	7.5	2.2	2.3	0.0095	43
132S-4	5.5		11.7	85.0						0.83
132M-4	7.5	1460	15.6	87.0	0.84	7.5	2.2	2.3	0.0214	81
160M-4	11		22.35	88.0	0.85					123
160L-4	15	1470	30.14	89.0	0.86	7.2	2.2	2.3	0.0747	144
180M-4	18.5		36.47	90.5						0.86
180L-4	22	1480	43.14	91.0	0.87	6.9	2.1	2.2	0.139	190
200L-4	30		57.63	92.0						0.87
225S-4	37	1490	69.89	92.5	0.88	6.9	2.1	2.2	0.406	284
225M-4	45		95.54	92.8						0.88
250M-4	55	1490	103.1	93.0	0.89	6.9	2.1	2.2	0.66	427
280S-4	75		139.7	93.8						0.89
280M-4	90	1490	166.93	94.2	0.90	6.9	2.1	2.2	1.46	667
315S-4	110		201.06	94.5						0.90
315M-4	132	1490	240.57	94.8	0.89	6.9	2.1	2.2	3.11	1100
315L1-4	160		287.95	94.9						0.89
315L2-4	200	1490	358.8	95.0	0.90	6.9	2.1	2.2	4.13	1270
355M-4	250		442.12	95.3						0.90
355L-4	315	1490	555.32	95.6	0.90	6.9	2.1	2.2	5.67	1850
			6.66	95.6						0.90

附录 A-1
Appendix A-1

机座号 Frame size	额定功率 Rated power/kW	满载时 Full load				堵转电流 Blocked current	堵转转矩 Blocked torque	最大转矩 Max torque	转动惯量 Moment of inertia / (kg.m ²)	净重 Weight /kg*
		转速 Speed / (r/min)*	电流 Current /A*	效率 Eff / (%)	功率因数 Power factor*	额定电流 Rated current	额定转矩 Rated torque	额定转矩 Rated torque		
同步转速 1000r/min 6 极 Synchronous Speed 1000r/min 6P										
711-6	0.18	850	0.74	56.0	0.66	4.0	1.9	2.0	—	—
712-6	0.25		0.95	59.0	0.68					
801-6	0.37	890	1.3	62.0	0.70	4.7	2.0	0.00158	17	
802-6	0.55		1.79	65.0	0.72					
90S-6	0.75	910	2.26	69.0	0.73	5.5	2.0	0.0029	23	
90L-6	1.1		3.14	72.0						
100L-6	1.5	940	3.95	76.0	0.75	6.5	2.1	0.0069	33	
112M-6	2.2		5.57	79.0	0.76					
132S-6	3.0	960	7.41	81.0	0.77	7.0	2.1	0.0286	63	
132M1-6	4.0		9.64	82.0						
132M2-6	5.5	970	12.93	84.0	0.81	7.0	2.1	0.0449	84	
160M-6	7.5		17.0	86.0						
160L-6	11	970	24.23	87.5	0.78	7.0	2.0	0.116	147	
180L-6	15		31.63	89.0						
200L1-6	18.5	970	38.1	90.0	0.83	7.0	2.1	0.207	195	
200L2-6	22		44.52	90.0						
225M-6	30	980	58.63	91.5	0.84	7.0	2.0	0.315	220	
250M-6	37		71.08	92.0						
280S-6	45	980	85.98	92.5	0.86	7.0	2.1	0.360	250	
280M-6	55		104.75	92.8						
315S-6	75	990	141.77	93.5	0.87	7.0	2.0	0.547	292	
315M-6	90		169.58	93.8						
315L1-6	110	990	206.83	94.0	0.88	6.7	1.9	0.834	408	
315L2-6	132		244.82	94.2						
355M1-6	160	990	291.52	94.5	0.88	6.7	1.9	1.39	536	
355M2-6	200		363.64	94.7						
355L-6	250	990	453.60	94.9	0.88	6.7	1.9	1.65	595	
								4.11	990	
								4.28	1080	
								5.45	1150	
								6.12	1210	
								8.85	1600	
								9.55	1700	
								10.63	1800	

附录 A-1
Appendix A-1

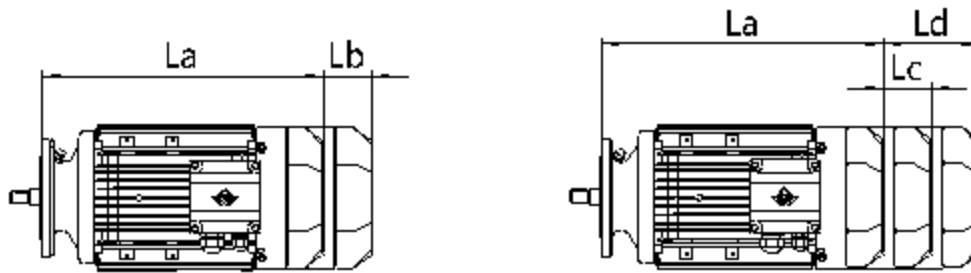
机座号 Frame size	额定功率 Rated power/kW	满载时 Full load				堵转电流 Blocked current	堵转转矩 Blocked torque	最大转矩 Max torque	转动惯量 Moment of inertia / (kg.m ²)	净重 Weight /kg*
		转速 Speed / (r/min)*	电流 Current /A*	效率 Eff / (%)	功率因数 Power factor*	额定电流 Rated current	额定转矩 Rated torque	额定转矩 Rated torque		
同步转速 750r/min 8 极 Synchronous Speed 750r/min 8P										
801-8	0.18	630	0.88	51.0	0.61	3.3	1.9	0.00158	17	
802-8	0.25	640	1.15	54.0		4.0		0.0021	19	
90S-8	0.37	660	1.49	62.0				0.0029	23	
90L-8	0.55		690	2.18	63.0	0.67	1.8	0.0035	25	
100L1-8	0.75	2.43		71.0	0.0069			33		
100L2-8	1.1	680	3.42	73.0	0.69	5.0	0.0107	38		
112M-8	1.5		4.47	75.0			0.0149	50		
132S-8	2.2	710	6.04	78.0	0.71	6.0	1.9	0.0314	63	
132M-8	3.0		7.9	79.0				0.0395	79	
160M1-8	4.0	720	10.28	81.0	0.73	2.0	2.0	0.0753	118	
160M2-8	5.5		13.61	83.0				0.0931	119	
160L-8	7.5		17.88	85.5				0.126	145	
180L-8	11	730	25.29	87.5	0.76	6.6	1.9	0.203	184	
200L-8	15		34.09	88.0				0.339	250	
225S-8	18.5		40.58	90.0				0.491	266	
225M-8	22	740	47.37	90.5	0.78	6.6	1.9	0.547	292	
250M-8	30		63.43	91.0				0.834	405	
280S-8	37		76.83	91.5				1.39	520	
280M-8	45	740	92.93	92.0	0.79	6.6	1.8	1.65	592	
315S-8	55		112.97	92.8				4.79	1000	
315M-8	75		151.33	93.0				5.58	1100	
315L1-8	90	740	177.86	93.8	0.81	6.4	1.8	6.37	1160	
315L2-8	110		216.92	94.0				7.23	1230	
355M1-8	132		260.3	93.7				10.55	1600	
355M2-8	160	740	310.07	94.2	0.82	6.4	1.8	11.73	1700	
355L-8	200		386.36	94.5				0.83	12.86	1800
同步转速 600r/min 10 极 Synchronous Speed 600r/min 10P										
315S-10	45	590	99.67	91.5	0.75	6.2	1.5	2.0	4.79	810
315M-10	55		121.16	92.0					6.37	930
315L1-10	75		162.16	92.5					7.0	1045
315L2-10	90	590	191.03	93.0	0.77	6.0	1.3	7.15	1115	
355M1-10	110		230	93.2				12.55	1500	
355M2-10	132		275.11	93.5				13.75	1600	
355L-10	160	590	333.47	93.5	0.78	6.0	1.3	14.86	1700	

注：表格中带*的参数仅作为参考，具体数值以用户收到的电机铭牌参数数值为准。

Note: The parameters with * in the table are for reference only. The specific values are subject to the nameplate parameters of the actual supplied motor.

附录 A-2

Appendix A-2



G 系列用直联型 IE2 普通电机尺寸 L1 = La

G series gearbox connects IE2 ordinary motor directly without flange, the size is L1, L1 is equal to La

GR 系列 GR Series

机型号 Type size	Frame size 机座号	63M	71M	80M	90S	90L	100L	112M	132S	132M	160M	160L	180M	180L	200L	225S	225M	250M	280S	280M	
GR...19/29/39		257	270	310	333	368	399														
GR...49/59/69/GRX...59/69		257	264	304	327	362	391	441	447	482											
GR...79/GRX...79		258	258	298	319	354	383	432	435	470	551	595									
GR...89/GRX...89				293	315	350	379	427	430	465	546	590	631	669							
GR...99/GRX...99				284	307	342	373	422	425	460	541	585	626	664	713						
GR...109/GRX...109							367	416	419	454	535	579	620	658	707	721	746				
GR...139/GRX...139									412	447	528	572	613	651	700	714	734	816			
GR...149											520	564	605	643	692	706	731	808	879	930	
GR...169/179											520	564	603	641	684	698	718	800	868	919	

GS 系列 GS Series

机型号 Type size	Frame size 机座号	63M	71M	80M	90S	90L	100L	112M	132S	132M	160M	160L	180M	180L	200L	225S	225M	250M	280S	280M	
GS...39/49/59		257	270	310	333	368	399														
GS...69		257	264	304	327	362	391	441	447	482											
GS...79		258	258	298	319	354	383	432	435	470	551	595									
GS...89				293	315	350	379	427	430	465	546	590	631	669							
GS...99				284	307	342	373	422	425	460	541	585	626	664	713						
GS...109							367	416	419	454	535	579	620	658	707	721	746				

GK 系列 GK Series

机型号 Type size	Frame size 机座号	63M	71M	80M	90S	90L	100L	112M	132S	132M	160M	160L	180M	180L	200L	225S	225M	250M	280S	280M	
GK...39		257	270	310	333	368	399														
GK...49/59/69		257	264	304	327	362	391	441	447	482											
GK...79		258	258	298	319	354	383	432	435	470	551	595									
GK...89				293	315	350	379	427	430	465	546	590	631	669							
GK...99				284	307	342	373	422	425	460	541	585	626	664	713						
GK...109							367	416	419	454	535	579	620	658	707	721	746				
GK...129									404	439	520	564	605	643	692	706	731	808	879	930	
GK...159/169/189											520	564	603	641	684	698	718	800	868	919	

GF 系列 GF Series

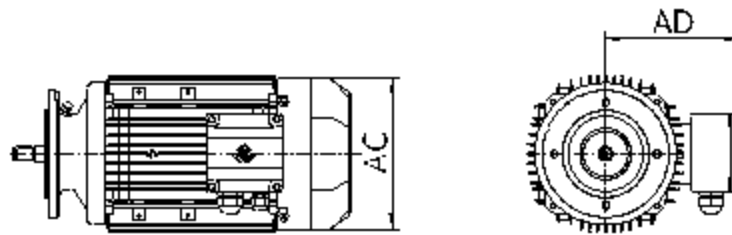
机型号 Type size	Frame size 机座号	63M	71M	80M	90S	90L	100L	112M	132S	132M	160M	160L	180M	180L	200L	225S	225M	250M	280S	280M	
GF...39/49		257	270	310	333	368	399														
GF...59/69		257	264	304	327	362	391	441	447	482											
GF...79		258	258	298	319	354	383	432	435	470	551	595									
GF...89				293	315	350	379	427	430	465	546	590	631	669							
GF...99				284	307	342	373	422	425	460	541	585	626	664	713						
GF...109							367	416	419	454	535	579	620	658	707	721	746				
GF...129									404	439	520	564	605	643	692	706	731	808	879	930	
GF...159											520	564	603	641	684	698	718	800	868	919	

附录 A-2
Appendix A-2
G 系列用直联型非普通电机尺寸 L1
G series use directly type not ordinary motor size L1

电机类型 Motor type 机座号 Frame size	变频直联电机 variable frequency directly motor	制动直联电机 brake directly motor	变频制动直联电机 variable frequency brake directly motor
	L1=La+Lb	L1=La+Lc	L1=La+Ld
63M	La+67	La+57	La+112
71M	La+67	La+57	La+112
80M	La+59	La+60	La+106
90S	La+74	La+70	La+122
90L	La+74	La+70	La+119
100L	La+77	La+68	La+108
112M	La+83	La+74	La+102
132S	La+73	La+82	La+129
132M	La+73	La+82	La+109
160M	La+65	La+91	La+155
160L	La+68	La+94	La+158
180M	La+112	La+125	La+212
180L	La+112	La+125	La+212
200L	La+73	La+148	La+213
225S	La+92	La+167	La+236
225M	La+92	La+167	La+236
250M	La+100	La+183	La+260
280S	La+127	La+201	La+293
280M	La+127	La+201	La+293

注: La 尺寸见上表。

Note: La size are shown in the above table.

附录 A-3
Appendix A-3

G 系列用直联型 IE2 电机外壳尺寸 AC 和接线盒高度尺寸 AD
G series use directly type IE2 motor shell size AC and terminal box height size AD

电机尺寸 Motor size Frame size 机座号	63M	71M	80M	90S	90L	100L	112M	132S	132M	160M	160L	180M	180L	200L	225S	225M	250M	280S	280M
AC	163	163	179	198	198	228	249	295	295	337	337	376	376	405	451	451	490	552	552
AD	138	138	149	166	166	181	187	210	210	260	260	285	285	310	340	340	375	415	415

注: 以上尺寸仅适用于普通直联电机, 变频直联电机, 制动直联电机, 变频制动直联电机。

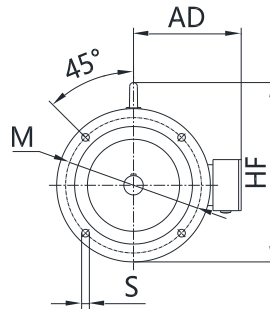
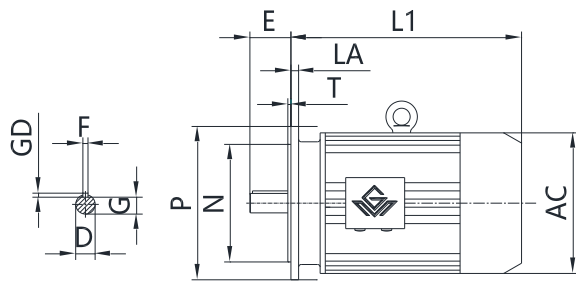
Note: The above size just apply to common directly motor, variable frequency directly motor, brake directly motor, variable frequency brake directly motor.

注: 所有直联型电机的重量参考 IEC 标准电机重量。

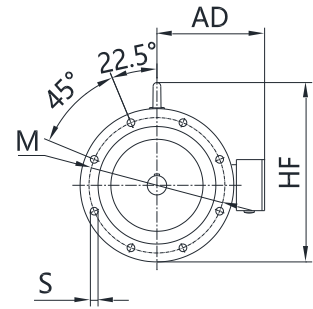
Note: The weight of all direct connection motors refer to the weight of IEC standard ordinary motors.

附录 A-4

Appendix A-4



机座号63-200



机座号225-315

标准普通电机外形及安装尺寸 (IE2)

Dimensions of Standary Ordinary Motors(IE2)

机座号 Frame size	安装尺寸及外形尺寸														Mounting Dimensions				
	D		E		F×GD		G		M	N	P	S	T	AC	AD	LA	HF	L1	
	2P	4-10P	2P	4-10P	2P	4-10P	2P	4-10P										2P	4-10P
63M	11		23		4×4		8.5	115	95	140	10	3	130	70	10	130	207		
71M	14		30		5×5		11	130	110	160			3.5	145	80	10	145	225	
80M	19		40		6×6		15.5	165	130	200	12	175		145	12	185	255		
90S	24		50		8×7		20						195				155	12	195
90L								295											
100L	28		60				24	215	180	250	15	4	215	180	14	245	325		
112M													240	190	14	265	340		
132S	38		80		10×8		33	265	230	300	15	4	275	210	14	315	390		
132M																	430		
160M	42				12×8		37	300	250	350	19	5	330	255	16	385	505		
160L																	560		
180M	48		110		14×9		42.5	380	280		18	430	590						
180L													630						
200L	55				16×10		49	350	300	400	19	5	420	305	18	480	660		
225S	60		140		16×10	18×11	53	400	350	450			470	335	20	535	675		
225M	55	60	110	140			49				53	710					705		
250M	60	65			18×11		53	58	500	450	550	510	370	22	595	770			
280S	65	75	140		18×11	20×12	58	67.5								580	410	22	650
280M									895										
315S	65	80	140	170	18×11	22×14	58	71	600	550	660	24	6	645	530	25	845	1020	1100
315M																		1050	1130
315L1	65	80	140	170	18×11	22×14	58	71	600	550	660	24	6	645	530	25	845	1020	1100
315L2																		1050	1130

附录 B
Appendix B
YEJ 系列电机外形及安装尺寸
Dimensions of YEJ Series Motors

机座号 Frame size	80	90S	90L	100L	112M	132S	132M	160M	160L	180M	180L	200L	225S	225M
L1	350	370	395	420	450	505	545	610	655	715	765	790	860	890

注：图形参照附录 A，其余尺寸同标准普通电机。

Note: See appendix A for dimensional drawings. Other dimensions are same as standary ordinary motors.

附录 C
Appendix C
G 系列减速电机最大输出转矩表
Max. Output Torque Table, G Series Geared Motors
GRX 系列 GRX Series

机型号 Type size	GRX..59	GRX..69	GRX..79	GRX..89	GRX..99	GRX..109	GRX..139							
最大输出转矩 Max.output torque(N.m)	70	135	215	400	600	830	1500							

GR 系列 GR Series

机型号 Type size	GR..19	GR..29	GR..39	GR..49	GR..59	GR..69	GR..79	GR..89	GR..99	GR..109	GR..139	GR..149	GR..169	GR..179
最大输出转矩 Max.output torque(N.m)	85	130	200	300	450	600	820	1550	3000	4300	8000	13000	18000	36600

GS 系列 GS Series

机型号 Type size	GS..39	GS..49	GS..59	GS..69	GS..79	GS..89	GS..99	GS..109						
最大输出转矩 Max.output torque(N.m)	87	170	300	520	1220	2300	4000	6500						

GK 系列 GK Series

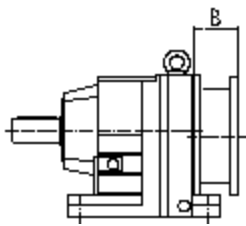
机型号 Type size	GK..39	GK..49	GK..59	GK..69	GK..79	GK..89	GK..99	GK..109	GK..129	GK..159	GK..169	GK..189		
最大输出转矩 Max.output torque(N.m)	200	400	600	820	1550	2700	4300	8000	13000	18000	32000	50000		

GF 系列 GF Series

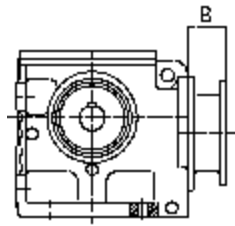
机型号 Type size	GF..39	GF..49	GF..59	GF..69	GF..79	GF..89	GF..99	GF..109	GF..129	GF..159				
最大输出转矩 Max.output torque(N.m)	200	400	600	820	1550	2700	4300	8000	13000	18000				

 注：表中所列减速电机最大负载转矩。实际上，同一规格的减速电机在不同传动比时，其最大承载转矩有可能不同。必要时，此值可按“选型参数表”中的输出转矩 M_3 乘以使用系数 f_B 求得。瞬间过载能力可达最大转矩的 1.8 倍。

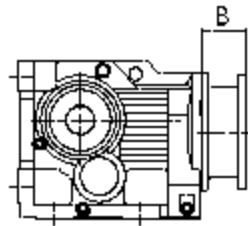
Note: List date is gearmotor's max. output torque. In fact the torque see selection table, the value equal the rate torque and service factor product. On request, please contact us.

附录 D
Appendix D


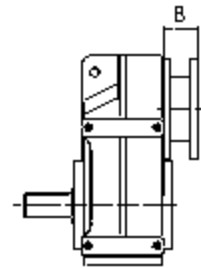
GR 系列 GR Series



GS 系列 GS Series



GK 系列 GK Series



GF 系列 GF Series

联接法兰尺寸 B (联接 IEC 标准电机)
The dimension B of the flange for IEC series motors
GR 系列 GR Series

机型号 Type size	Frame size 机座号	63	71	80	90	100	112	132	160	180	200	225	250	280	315
GR...19/29/39		50	70.5	99.5	99.5	119									
GR...49/59/69/GRX...59/69		44.5	65	94	94	111	111	150							
GR...79/GRX...79		36.5	59	88	88	103	103	138	179						
GR...89/GRX...89				83	83	99	99	133	174	174					
GR...99/GRX...99				73.5	73.5	93	93	128	169	169	165.5				
GR...109/GRX...109						87	87	122	163	163	159.5	193			
GR...139/GRX...139								115	156	156	152.5	186	185		
GR...149									148	148	144.5	178	177	189	
GR...169/179									140/132	140/132	136.5/128.5	170/162	166/158	178/170	253/245

GS 系列 GS Series

机型号 Type size	Frame size 机座号	63	71	80	90	100	112	132	160	180	200				
GS...39/49/59		50	70.5	99.5	99.5	119									
GS...69		44.5	65	94	94	111	111	150							
GS...79		36.5	59	88	88	103	103	138	179						
GS...89				83	83	99	99	133	174	174					
GS...99				73.5	73.5	93	93	128	169	169					
GS...109						87	87	122	163	163	159.5				

GK 系列 GK Series

机型号 Type size	Frame size 机座号	63	71	80	90	100	112	132	160	180	200	225	250	280	315
GK...39		50	70.5	99.5	99.5	119									
GK...49/59/69		44.5	65	94	94	111	111	150							
GK...79		36.5	59	88	88	103	103	138	179						
GK...89				83	83	99	99	133	174	174					
GK...99					73.5	93	93	128	169	169	165.5				
GK...109						87	87	122	163	163	159.5	193			
GK...129								107	148	148	144.5	178	177	189	
GK...159/169									140	140	136.5	170	166	178	253
GK...189									132	132	128.5	162	158	170	245

GF 系列 GF Series

机型号 Type size	Frame size 机座号	63	71	80	90	100	112	132	160	180	200	225	250	280	315
GF...39/49		50	70.5	99.5	99.5	119									
GF...59/69		44.5	65	94	94	111	111	150							
GF...79		36.5	59	88	88	103	103	138	179						
GF...89				83	83	99	99	133	174	174					
GF...99					73.5	93	93	128	169	169	165.5				
GF...109						87	87	122	163	163	159.5	193			
GF...129								107	148	148	144.5	178	177	189	
GF...159									140	140	136.5	170	166	178	253

所配联接法兰的最大重量(kg) Maximum weight of coupling flange(kg)

机座号 Frame size	63	71	80	90	100	112	132	160	180	200	225	250	280	315
重量(kg) weight(kg)	4.1	5.1	12	12	20.2	20.2	36.7	68.3	68.3	64.5	79.5	105.3	118.8	196.4

传动精品 | 传递真情

江苏国茂减速机股份有限公司

地址/中国江苏省常州市武进高新区龙潜路 98 号

电话/400-112-5588

邮编/213164

网址/ www.guomaoreducer.com

本版权归江苏国茂减速机股份有限公司所有，如有改动，恕不另行通知

