



Enduro[®]

Mast Guides

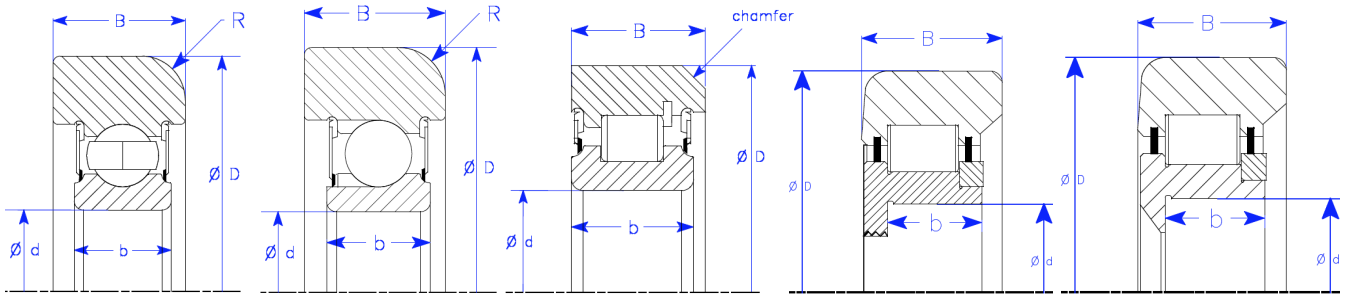
Version
4.13.1





Enduro™ Mast Guides <35mm Bore

ABI Industries
 6505 San Leandro St.
 Oakland, CA 94621
 Tel: 510 613 8200
 Fax: 510 613 8207



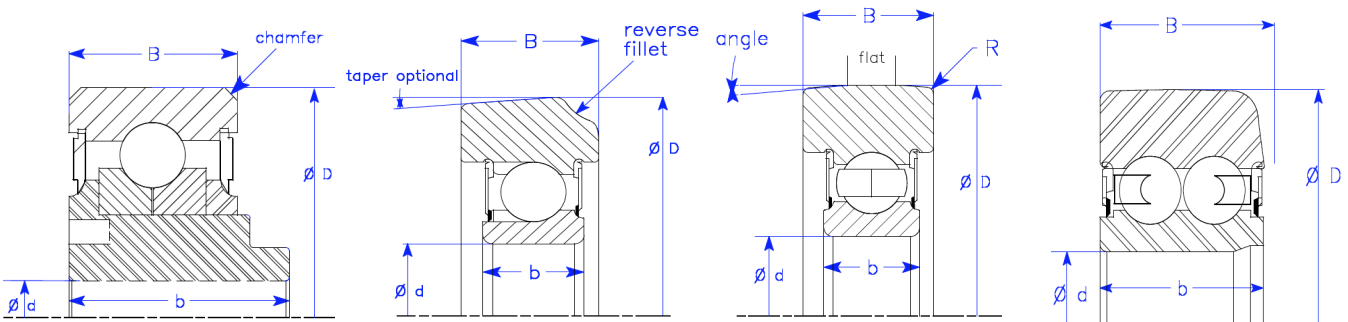
I-a: flat OD
 I-b: crowned OD

II-a: flat OD
 II-b: crowned OD
 II-c: 2-piece
 (fill slot or fractured)

IV-a: roller type;
 snap ring
 IV-b: two-piece IR

IV-c: two piece IR

IV-e: non-threaded
 shoulder



VI-a: eccentric bearing

VII-a: conrad style
 VII-b: max type
 VII-c: 2-piece bearing

IX-a: symmetrical design, conrad

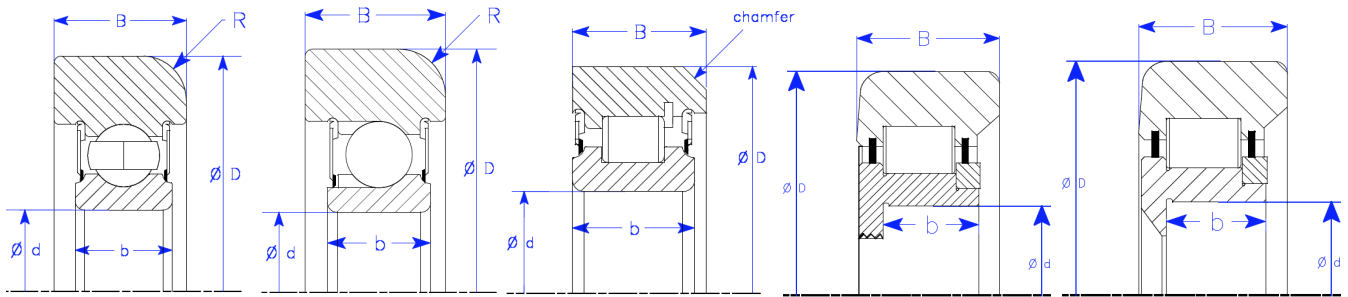
X-e: one piece

Part Number	Style	d	D	b	B	R	Cap. Cr.	Cap. Cor.	Weight
		mm	mm	mm	mm	mm	Dyn. (N)	Stat. (N)	lbs.
MG 205-1E	VI-a	12.60	57.00	20.50	26.95	1.00	16100	11000	0.75
MG 205-2E	VI-a	13.00	52.00	18.00	24.00	2.00	16100	11000	0.75
MG 305-7E	VI-a	17.00	72.80	33.60	25.00	3.00	27000	18800	1.45
MG 305 DDTY	IV-a	25.00	62.00	19.50	18.00	3.00	43690	45620	0.75
MG 205 FF	I-a	25.00	65.00	15.00	21.00	6.00	14020	7880	0.75
MG 205 FFX	I-a	25.00	67.00	15.00	26.00	4.50	14020	7880	0.85
MG 305 DDY	IX-a	25.00	71.00	17.00	21.00	2.00	22390	11490	0.90
MG 305 DDH	IV-a	25.00	72.00	28.00	28.00	2.00	61240	65950	1.45
MG 305 DD	I-a	25.00	76.20	17.00	25.40	8.38	20510	11120	1.25
MG 305 DDB	I-b	25.00	76.20	17.00	25.40	8.38	20510	11120	1.25
MG 305 DDE	I-a	25.00	79.55	16.96	23.50	6.00	20510	11120	1.40
MG 305 DDX	I-a	25.00	80.00	17.00	22.00	2.50	22390	11490	1.35
MG 305 DDZ	IX-a	25.00	80.00	15.00	22.00	2.50	22390	11490	1.45
MG 305 DDR	IV-a	25.40	63.50	31.75	31.75	2.00	61240	65950	1.15
MG 305 DDA	I-a	25.40	74.60	17.00	25.40	8.38	20510	11120	1.25
MG 28mm-1	IV-b	28.00	77.20	15.2/22.7	27.00	5.00	54970	62890	1.65
MG 306 DDCR	IV-a	30.00	69.00	25.40	25.40	1.50	47620	62930	1.40
MG 306 DDL11	IV-c	30.00	75.00	10.50	24.00	4.00	57110	67250	1.40
MG 306 DDL1	IV-e	30.00	75.20	16.00	24.00	4.00	57110	67100	1.30
MG 306 DDL6	X-e	30.00	75.30	23.50	24.00	6.00	21000	16000	1.25
MG 5206 AC-1	X-e	30.00	75.50	23.81	28.50	2.00	30000	21200	3.95
MG 306 DDL7	X-e	30.00	75.60	23.50	24.00	6.00	21000	16000	1.25
MG 306 DDL2	IV-e	30.00	75.70	16.00	24.00	4.00	57110	67100	1.30
MG 306 DDL3	IV-e	30.00	75.90	16.00	24.00	4.00	57110	67100	1.35



Enduro™ Mast Guides <35mm Bore

ABI Industries
6505 San Leandro St.
Oakland, CA 94621
Tel: 510 613 8200
Fax: 510 613 8207



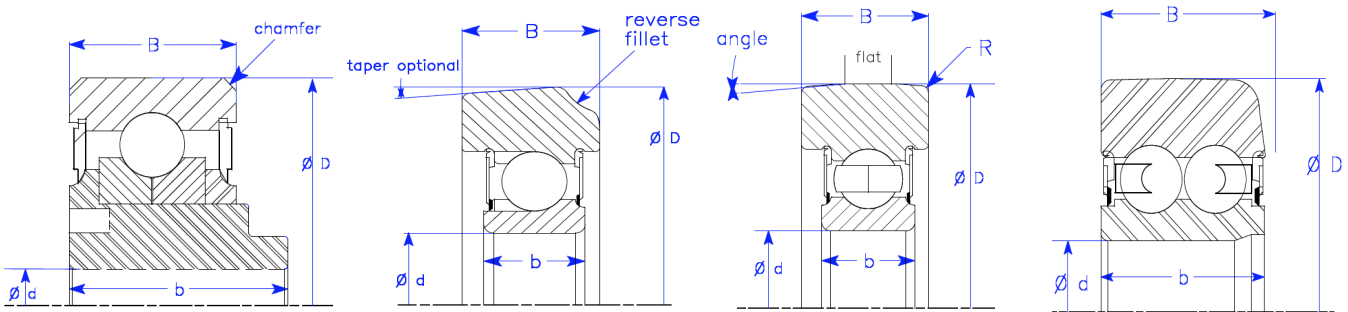
I-a: flat OD
I-b: crowned OD

II-a: flat OD
II-b: crowned OD
II-c: 2-piece
(fill slot or fractured)

IV-a: roller type;
snap ring
IV-b: two-piece IR

IV-c: two piece IR

IV-e: non-threaded
shoulder



VI-a: eccentric bearing

VII-a: conrad style
VII-b: max type
VII-c: 2-piece bearing

IX-a: symmetrical design, conrad

X-e: one piece

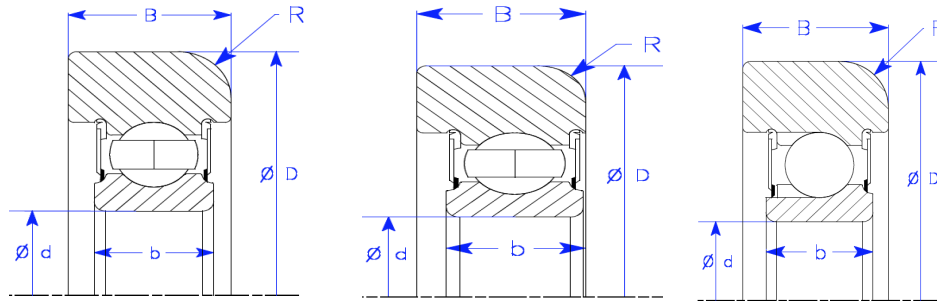
Part Number	Style	d	D	b	B	R	Cap. Cr.	Cap. Cor.	Weight
		mm	mm	mm	mm	mm	Dyn. (N)	Stat. (N)	lbs.
MG 306 DDL8	X-e	30.00	75.90	23.50	24.00	6.00	21000	16000	1.30
MG 306 DDL12	IV-c	30.00	76.00	10.50	24.00	4.00	57110	67250	1.45
MG 306 DDL4	IV-b	30.00	76.20	16.00	24.00	4.00	57110	67100	1.35
MG 206 FFE	IX-b	30.00	76.20	16.00	28.50	3.00	27360	18860	1.25
MG 306 TA-1	I-a	30.00	77.60	19.00	28.00	4.50	28160	15840	1.40
MG 206 FFH	I-a	30.00	79.50	16.59	28.50	7.00	19460	11310	1.50
MG 206 FFZ	II-b	30.00	79.70	16.59	28.50	4.40	27360	18860	1.60
MG 206 FFZA	II-b	30.00	80.49	16.58	28.50	4.83	27360	18860	1.65
MG 206 FFU	I-a	30.00	81.00	16.59	29.00	8.50	19460	11310	1.70
MG 206 FFZB	II-b	30.00	81.25	16.58	28.50	4.83	27360	18860	1.70
MG 206 FFA	VII-a	30.00	81.28	19.58	25.40	chamfer	19460	11310	1.45
MG 206 FFM	VII-b	30.00	81.28	19.58	25.40	chamfer	27360	18860	1.30
MG 206 FFUA	II-b	30.00	81.63	16.58	28.50	6.00	27360	18860	1.50
MG 206 FFX	IX-b	30.00	81.80	16.00	27.00	3.00	27360	18860	1.55
MG 206 FFAB	VII-a	30.00	82.11	19.58	25.40	chamfer	19460	11310	1.45
MG 306 DDB	I-a	30.00	82.55	19.00	26.97	9.00	19460	11310	1.45
MG 206 FFK	II-b	30.00	86.36	16.58	28.50	6.35	27360	18860	1.95
MG 206 FFV	II-c	30.00	86.60	16.59	28.50	5.50	27360	18860	1.95
MG 206 FFP	I-a	30.00	88.00	16.59	29.00	6.00	19460	11310	2.15
MG 206 FFPA	II-a	30.00	88.50	16.50	29.00	5.50	27360	18860	2.20
MG 306 DD	I-a	30.00	88.90	19.00	25.40	9.00	28250	15980	1.80
MG 206 FFPB	II-a	30.00	89.00	16.50	29.00	5.50	27360	18860	2.20
MG 306 FFT	I-a	30.00	91.60	19.00	25.00	5.00	28160	15840	1.95
MG 307/34 DDL17	IV-c	34.00	105.00	9.00	34.00	6.00	95640	115300	3.85
MG 307/34 DDL18	IV-c	34.00	105.70	9.00	34.00	6.00	95640	115300	3.85



Enduro™ Mast Guides

35mm Bore

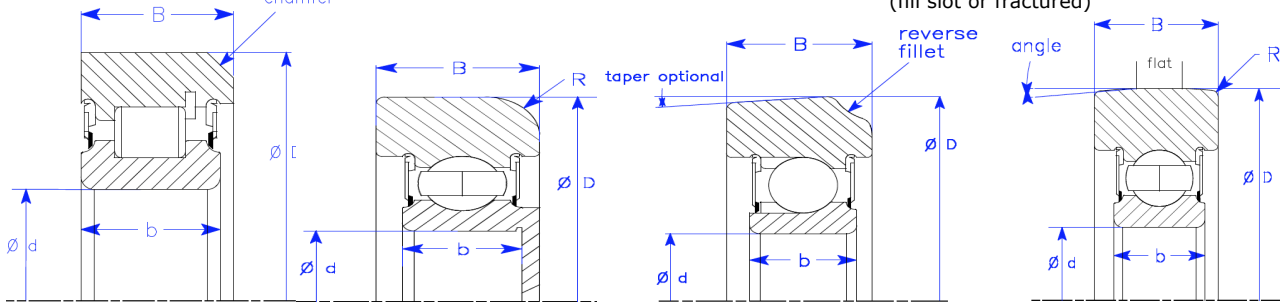
ABI Industries
6505 San Leandro St.
Oakland, CA 94621
Tel: 510 613 8200
Fax: 510 613 8207



I-a: flat OD
I-b: crowned OD
chamfer

I-c: bearing flush
with housing

II-a: flat OD
II-b: crowned OD
II-c: 2-piece
(fill slot or fractured)



IV-a: standard IR
IV-b: modified IR

V-a: closed bore

VII-a: conrad style
VII-b: max type
VII-c: 2-piece bearing

IX-a: symmetrical design

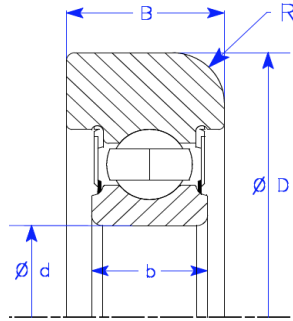
Part Number	Style	d	D	b	B	R	Cap. Cr.	Cap. Cor.	Weight
		mm	mm	mm	mm	mm	Dyn. (N)	Stat. (N)	lbs.
MG 307 RB-1	IV-a	35.00	78.00	21.00	23.00	chamfer	51440	30840	1.35
MG 207 FFA	IX-a	35.00	81.80	17.00	27.00	3.00	25720	15420	1.30
MG 207 FFWA	II-b	35.00	81.80	20.00	31.20	8.00	38930	26780	1.55
MG 207 FFWB	II-b	35.00	82.40	20.00	31.00	8.00	38930	26780	1.50
MG 207 FFJ	VII-b	35.00	91.24	20.00	31.80	chamfer	38930	26780	1.90
MG 207 FFH	VII-b	35.00	91.24	21.00	31.80	chamfer	30530	25490	2.00
MG 207 FFJA	II-c	35.00	91.60	21.00	31.70	8.00	30530	25490	2.15
MG 207 FFU	II-b	35.00	91.80	20.00	31.27	8.00	38930	26780	2.25
MG 207 FFUE	II-b	35.00	92.20	20.00	31.27	8.00	38930	26780	2.15
MG 207 FFJB	VI-a	35.00	92.70	20.00	31.70	8.00	25720	15420	2.20
MG 207 FFUH	II-a	35.00	93.00	20.00	31.27	8.00	38930	26780	2.25
MG 307 FFW	I-a	35.00	93.20	21.00	28.00	7.00	33540	19230	1.95
MG 207 FFJC	II-c	35.00	93.40	20.00	31.70	8.00	38930	26780	2.30
MG 307 FFN 13	II-a	35.00	94.00	21.00	28.00	6.50	52640	34530	2.05
MG 307 FFWU	V-a	35.00	94.30	21/25	28.00	7.00	33540	19230	2.25
MG 307 FFWB	I-a	35.00	94.40	21.00	28.00	7.00	33540	19230	2.15
MG 207 FFBN-1	I-a	35.00	94.50	17.00	25.00	7.00	25720	15420	2.05
MG 307 FFK	I-a	35.00	94.61	21.00	25.40	10.00	33540	19230	3.65
MG 307 FFWX	I-a	35.00	95.00	21.00	28.00	7.00	33360	19230	2.10
MG 307 FFCL5	I-a	35.00	95.38	21.00	25.30	8.00	33360	19230	1.95
MG 207 FFBN-2	I-a	35.00	95.65	17.00	25.00	7.00	25720	15420	2.05
MG 307 FFTT-S	I-a	35.00	95.65	21.00	25.00	5.00	33360	19230	2.10
MG 307 FFWK	I-a	35.00	95.70	21.00	28.00	7.00	33540	19230	2.20
MG 307 T-15	I-a	35.00	95.70	21.00	25.00	5.00	33400	19300	2.10
MG 307 FFTT	I-a	35.00	96.10	21.00	25.00	5.00	33360	19230	2.10
MG 307 FFTT-L	I-a	35.00	96.67	21.00	25.00	5.00	33360	19230	2.10
MG 307 FFN8	I-a	35.00	97.00	21.00	28.00	6.00	33540	19230	2.30
MG 307 FFN-14	I-a	35.00	97.00	21.00	28.00	6.00	33540	19230	2.30
MG 307 FFN17	I-a	35.00	97.50	21.00	28.00	6.00	33540	19230	2.35
MG 307 FFN18	I-a	35.00	98.00	21.00	28.00	6.00	33540	19230	2.40
MG 307 FFD-6	I-a	35.00	98.50	21.00	29.00	8.00	33540	19230	2.45
MG 307 FFD-7	I-a	35.00	99.00	21.00	29.00	8.00	33540	19230	2.45
MG 307 FFD-8	I-a	35.00	99.50	21.00	29.00	8.00	33540	19230	2.45
MG 207 FFQB	VII-c	35.00	100.35	20.00	30.15	chamfer	38930	26780	2.65
MG 207 FFM	VII-c	35.00	100.35	20.00	28.45	chamfer	38930	26780	2.45
MG 207 HH3	II-c	35.00	100.45	20.00	28.00	5.00	38930	26780	2.45
MG 307 FFB	IX-a	35.00	101.00	21.00	31.80	3.00	33540	19230	2.90
MG 307 DD-13	VII-a	35.00	101.35	21.00	28.58	chamfer	33540	19230	2.60



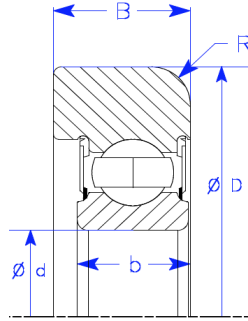
Enduro™ Mast Guides

35mm Bore

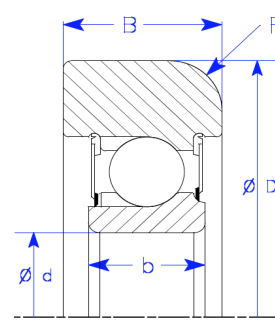
ABI Industries
 6505 San Leandro St.
 Oakland, CA 94621
 Tel: 510 613 8200
 Fax: 510 613 8207



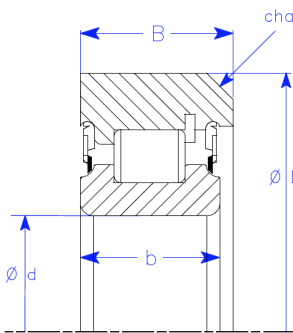
I-a: flat OD
 I-b: crowned OD



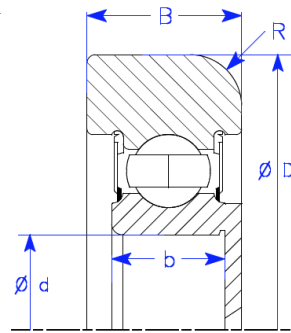
I-c: bearing flush with housing



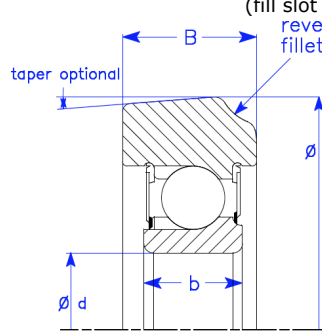
II-a: flat OD
 II-b: crowned OD
 II-c: 2-piece (fill slot or fractured)



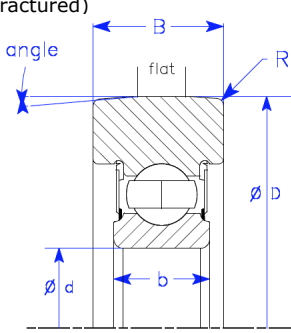
IV-a: standard IR
 IV-b: modified IR



V-a: closed bore



VII-a: conrad style
 VII-b: max type
 VII-c: 2-piece bearing



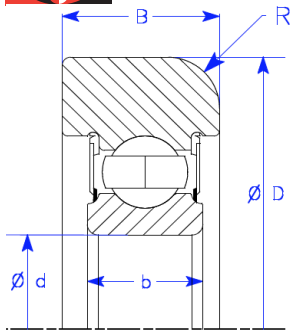
IX-a: symmetrical design

Part Number	Style	d	D	b	B	R	Cap. Cr.	Cap. Cor.	Weight
		mm	mm	mm	mm	mm	Dyn. (N)	Stat. (N)	lbs.
MG 37-1T	I-a	35.00	101.42	21.00	28.58	9.50	33540	19230	2.60
MG 37-1T-MAX	I-a	35.00	101.42	21.00	28.58	9.50	52640	34530	2.70
MG 307 FF29	I-a	35.00	101.42	21.00	28.58	9.50	33540	19230	2.60
MG 307 FFP	I-b	35.00	101.34	21.00	28.75	9.50	33540	19230	2.65
MG 307 FFZ	II-a	35.00	101.42	21.00	28.75	9.50	52640	34530	2.65
MG 307 FFA	I-a	35.00	101.60	21.00	28.50	9.50	33540	19230	2.65
MG 307 FFCL7	I-a	35.00	101.80	28.85	27.00	3.70	33360	19230	2.75
MG 307 FFN4	I-a	35.00	102.00	21.00	28.00	6.00	33360	19230	2.70
MG 307 FFTA	I-a	35.00	102.00	21.00	25.30	4.00	33540	19230	2.50
MG 307 FFN5	I-a	35.00	102.50	21.00	28.00	6.00	33360	19230	2.70
MG 307 FFTB	I-a	35.00	102.50	21.00	25.30	4.00	33540	19230	2.55
MG 307 FFN6	I-a	35.00	103.00	21.00	28.00	6.00	33360	19230	2.85
MG 307 FFTC	I-a	35.00	103.00	21.00	25.30	4.00	33540	19230	2.60
MG 307 FFN7	I-a	35.00	105.00	21.00	28.00	6.00	33540	19230	2.90
MG 307 FFN-9	I-a	35.00	105.50	21.00	28.00	6.00	33540	19230	2.95
MG 307 KN-1	I-a	35.00	105.85	21.00	25.00	8.00	33540	19230	2.75
MG 307 FFN-10	I-a	35.00	106.00	21.00	28.00	6.00	33540	19230	2.80
MG 307 FFAC	I-a	35.00	106.40	21.00	25.00	5.00	33540	19230	2.80
MG 307 KN-2	I-a	35.00	106.85	21.00	25.00	8.00	33540	19230	2.80
MG 307 FFAB	I-a	35.00	107.80	21.00	25.00	5.00	33540	19230	2.90
MG 307 KK1	I-a	35.00	107.80	21.00	31.00	6.50	33540	19230	3.35
MG 307 KK2	I-a	35.00	108.30	21.00	31.00	6.50	33540	19230	3.45
MG 307 KK3	I-a	35.00	108.80	21.00	31.00	6.50	33540	19230	3.50
MG 307 FFN1	I-a	35.00	109.00	21.00	28.00	6.00	33540	19230	3.30
MG 307 FFN2	I-a	35.00	109.50	21.00	28.00	6.00	33540	19230	3.30
MG 307 FFN3	I-a	35.00	110.00	21.00	28.00	6.00	33540	19230	3.35
MG 207 FFK	VII-b	35.00	110.10	21.00	30.10	chamfer	38930	26780	1.90
MG 207 FFQ	VII-b	35.00	110.80	20.00	30.10	chamfer	38930	26780	3.55
MG 207 FFQA	II-c	35.00	110.90	20.00	30.00	8.00	38930	26780	3.65
MG 207 FFQJ	II-a	35.00	111.10	20.00	30.15	8.00	38930	26780	3.80
MG 207 FFQM	II-c	35.00	111.50	20.00	30.15	8.00	38930	26780	3.85
MG 207 FFQR	II-c	35.00	112.10	20.00	30.15	8.00	38930	26780	3.90
MG 307 FFKA	V-a	35.00	114.50	21/25	28.00	7.00	33540	19230	3.80
MG 307 T-13	I-a	35.00	114.60	21.00	28.00	7.00	33540	19230	3.75
MG 307 FFKB	V-a	35.00	115.10	21/25	28.00	7.00	33540	19230	3.80
MG 207 HH1	VII-c	35.00	126.30	20.00	30.10	chamfer	38930	26780	2.00
MG 207 HH2	II-c	35.00	126.25	20.00	27.90	chamfer	38930	26780	4.80

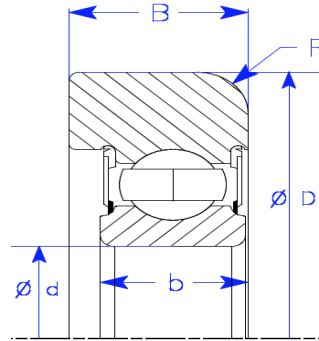


Enduro™ Mast Guides 36-43mm Bore

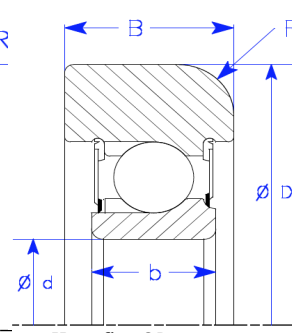
ABI Industries
6505 San Leandro St.
Oakland, CA 94621
Tel: 510 613 8200
Fax: 510 613 8207



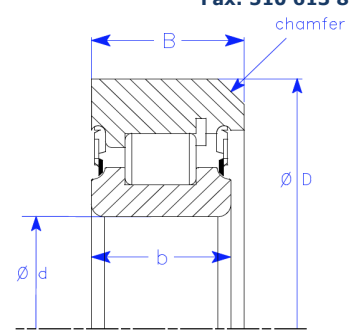
I-a: flat OD
I-b: crowned OD



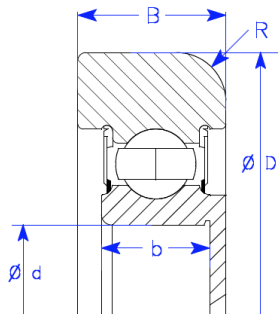
I-c: bearing flush with housing



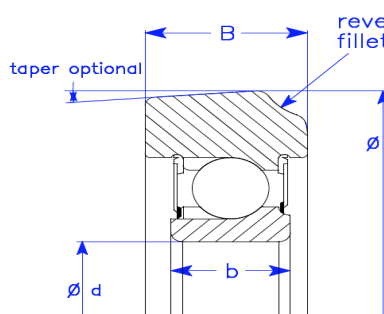
II-a: flat OD
II-b: crowned OD
II-c: 2-piece (fill slot or fractured)



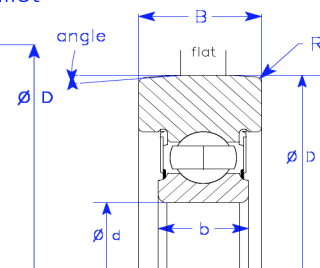
IV-a: roller type, snap ring
IV-b: chamfer
IV-c: threaded bore



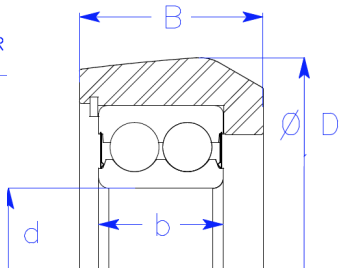
V-a: closed bore



VII-a: conrad style
VII-b: max type
VII-c: 2-piece bearing



IX-a: symmetrical design



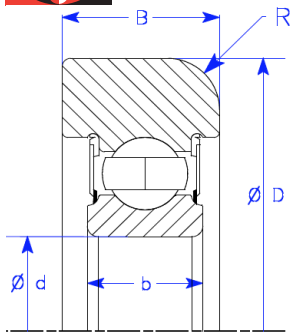
X-a: chamfered corner
X-b: radiused corner
X-c: 1-piece compact design

Part Number	Style	d	D	b	B	R	Cap. Cr.	Cap. Cor.	Weight
		mm	mm	mm	mm	mm	Dyn. (N)	Stat. (N)	lbs.
MG 306/36 DDL15	IV-c	36.00	89.50	9.00	29.00	6.00	75680	93600	2.35
MG 306/36 DDL16	IV-c	36.00	90.50	9.00	29.00	6.00	75680	93600	2.40
MG 308 DDR-1	IV-a	40.00	75.60	22.00	25.40	2.50	56280	38910	1.00
MG 308 DDL-7	IV-a	40.00	89.90	23.80	29.00	6.00	46100	79800	2.15
MG 308 DDL1	X-d	40.00	89.90	28.77	29.00	6.35	33980	25740	2.00
MG 308 DDL-8	IV-a	40.00	90.20	23.80	29.00	6.00	46100	79800	2.15
MG 308 DDL2	X-d	40.00	90.20	28.77	29.00	6.35	33980	25740	2.00
MG 308 DDL-9	IV-a	40.00	90.50	23.80	29.00	6.00	46100	79800	2.15
MG 308 DDL3	X-d	40.00	90.50	28.77	29.00	6.35	33980	25740	2.00
MG 308 DDL-10	IV-a	40.00	90.80	23.80	29.00	6.00	46100	79800	2.15
MG 208 FFH	II-a	40.00	95.00	21.00	28.50	8.00	31900	26210	2.05
MG 308 DDM	I-a	40.00	98.90	23.00	27.11	7.00	40760	24020	2.15
MG 308 DDM4	I-a	40.00	99.00	23.00	30.00	7.00	40760	24020	2.25
MG 308 DDM1	I-a	40.00	99.90	23.00	27.11	7.00	40760	24020	2.25
MG 308 DDM5	I-a	40.00	100.00	23.00	30.00	7.00	40760	24020	2.30
MG 308 T-15	IX-a	40.00	100.00	23.00	32.00	2.00	40760	24020	2.30
MG 208 FFA	VII-a	40.00	100.50	19.50	25.40	chamfer	42650	33070	2.00
MG 308 DDM2	I-a	40.00	101.00	23.00	27.11	7.00	40760	24020	2.25
MG 308 FFX	I-a	40.00	101.20	23.00	28.40	9.00	40760	24020	2.35
MG 208 FFK	I-c	40.00	101.30	21.00	28.50	7.00	42650	33070	2.50
MG 208 FFAB	VII-a	40.00	101.60	19.50	25.40	chamfer	42650	33070	2.10
MG 308 FFB	I-c	40.00	101.60	23.00	28.40	10.00	40760	24020	2.35
MG 308 FFH	I-c	40.00	101.60	22.37	28.40	8.00	40760	24020	2.30
MG 308 DDM3	I-a	40.00	101.90	23.00	27.11	7.00	40760	24020	2.30
MG 208 FFJ	I-a	40.00	102.00	21.00	28.50	10.00	42650	33070	2.30
MG 308 FFC20	I-a	40.00	102.30	23.00	28.40	8.00	40760	24020	2.35

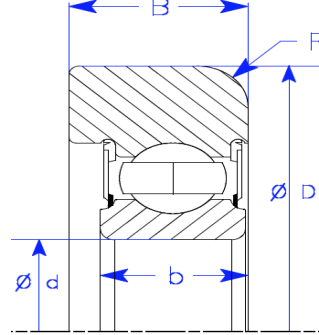


Enduro™ Mast Guides 36-43mm Bore

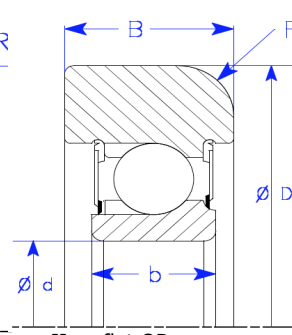
ABI Industries
6505 San Leandro St.
Oakland, CA 94621
Tel: 510 613 8200
Fax: 510 613 8207



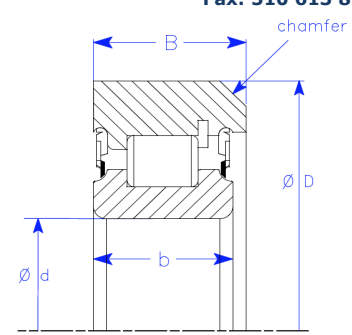
I-a: flat OD
I-b: crowned OD



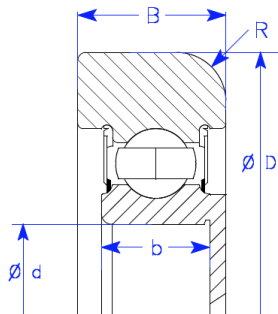
I-c: bearing flush with housing



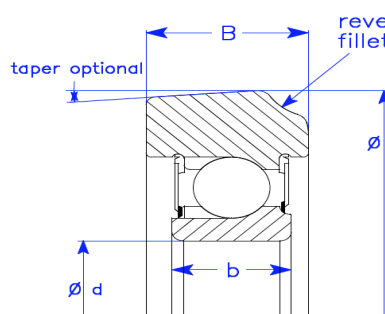
II-a: flat OD
II-b: crowned OD
II-c: 2-piece (fill slot or fractured)



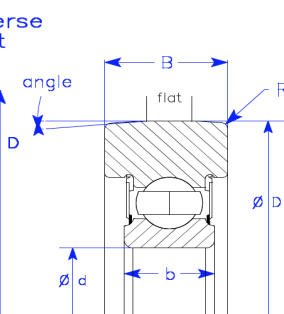
IV-a: roller type, snap ring
IV-c: threaded bore



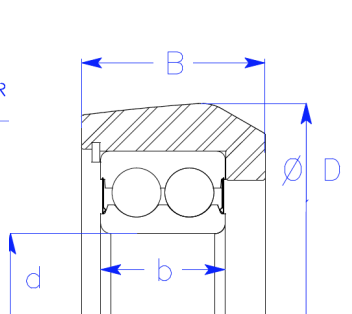
V-a: closed bore



VII-a: conrad style
VII-b: max type
VII-c: 2-piece bearing



IX-a: symmetrical design



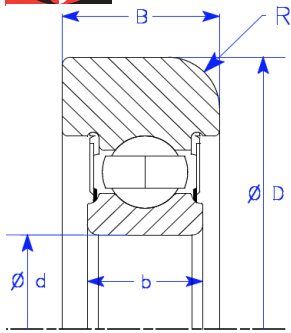
X-a: chamfered corner
X-b: radiused corner
X-c: 1-piece compact design

Part Number	Style	d	D	b	B	R	Cap. Cr.	Cap. Cor.	Weight
		mm	mm	mm	mm	mm	Dyn. (N)	Stat. (N)	lbs.
MG 5208 VFFA	X-a	40.00	103.50	30.16	42.50	chamfer	62120	55530	3.95
MG 5208 VFF	X-a	40.00	103.50	30.16	44.50	chamfer	62120	55530	3.95
MG 5208 VFFQE	X-b	40.00	103.50	30.16	40.85	10.50	62120	55530	3.80
MG 5208 VFFQ	X-b	40.00	103.60	30.16	42.85	8.00	62120	55530	3.95
MG 5208 VFFQQ	X-b	40.00	104.25	30.16	40.85	10.50	62120	55530	3.80
MG 5208 VFFQA	X-b	40.00	104.40	30.16	42.85	8.00	62120	55530	3.95
MG 5208 VFFQR	X-b	40.00	105.00	30.16	40.85	10.50	62120	55530	3.85
MG 5208 VFFQB	X-b	40.00	105.20	30.16	42.85	8.00	62120	55530	4.00
MG 308 FFK	V-a	40.00	109.50	23/28	32.00	7.00	40760	24020	3.25
MG 308 FFAC	I-a	40.00	109.60	23.00	30.50	6.00	40760	24020	3.25
MG 308 FFP	I-a	40.00	109.60	23.00	32.00	8.00	40760	24020	3.35
MG 308 FFPA	I-a	40.00	110.00	23.00	32.00	8.00	40760	24020	3.40
MG 308 FFKE	V-a	40.00	110.00	23/28	32.00	7.00	40760	24020	3.60
MG 308 FFAD	I-b	40.00	110.60	23.00	31.00	6.00	40760	24020	3.40
MG 308 FFU	II-b	40.00	111.20	21.00	32.10	8.00	56280	38910	3.35
MG 308 FFUA	II-b	40.00	111.80	21.00	32.10	8.00	56280	38910	3.40
MG 308 FFUB	II-b	40.00	112.40	21.00	32.10	8.00	56280	38910	3.50
MG 308 Q5	I-a	40.00	112.50	23.00	32.00	5.00	40760	24020	3.70
MG 308 FFA	I-a	40.00	113.94	23.00	31.75	9.25	40760	24020	3.75
MG 308 FFE	I-a	40.00	114.20	23.00	28.20	6.50	40760	24020	3.45
MG 308 FFEA	I-a	40.00	115.00	23.00	28.20	6.50	40760	24020	3.50
MG 308 FFN1	I-a	40.00	115.00	23.00	32.00	5.00	40760	24020	3.95
MG 308 FFN2	I-a	40.00	115.40	23.00	32.00	5.00	40760	24020	3.95
MG 308 KK1	I-a	40.00	115.50	23.00	33.00	7.00	40760	24020	4.00
MG 308 FFN3	I-a	40.00	115.90	23.00	32.00	5.00	40760	24020	4.00
MG 308 KK2	I-a	40.00	116.20	23.00	32.00	7.00	40760	24020	4.05
MG 308 KK3	I-a	40.00	116.90	23.00	32.00	7.00	40760	24020	4.10
MG 308 HD-1	I-a	40.00	116.90	23.00	28.00	6.00	40760	24020	3.85
MG 308 HD-2	I-a	40.00	117.20	23.00	28.00	6.00	40760	24020	3.90
MG 308 HD-3	I-a	40.00	117.50	23.00	28.00	6.00	40760	24020	3.90
MG 308 HD-4	I-a	40.00	117.90	23.00	28.00	6.00	40760	24020	3.95

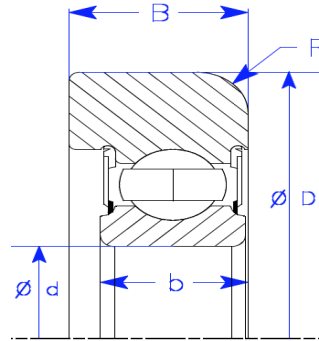


Enduro™ Mast Guides 36-43mm Bore

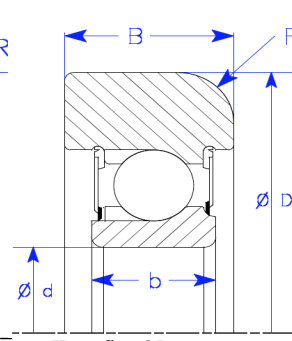
ABI Industries
6505 San Leandro St.
Oakland, CA 94621
Tel: 510 613 8200
Fax: 510 613 8207



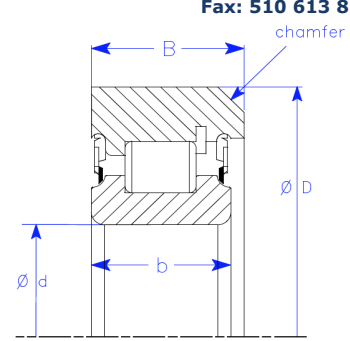
I-a: flat OD
I-b: crowned OD



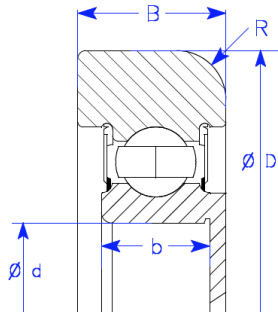
I-c: bearing flush with housing



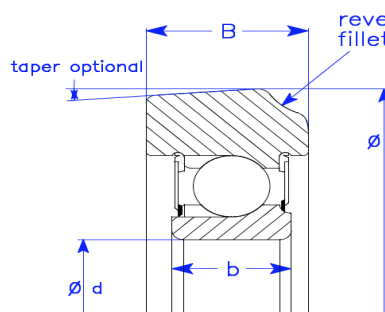
II-a: flat OD
II-b: crowned OD
II-c: 2-piece (fill slot or fractured)



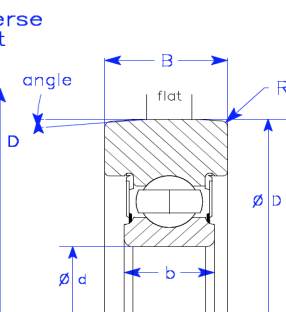
IV-a: roller type, snap ring
IV-c: threaded bore



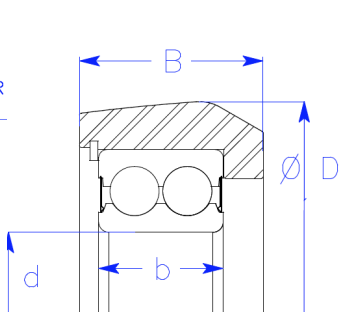
V-a: closed bore



VII-a: conrad style
VII-b: max type
VII-c: 2-piece bearing



IX-a: symmetrical design



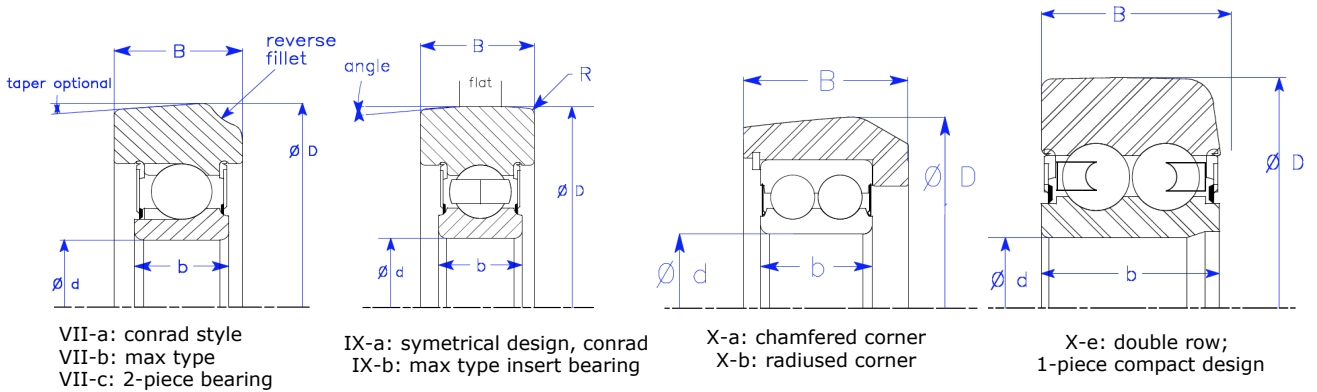
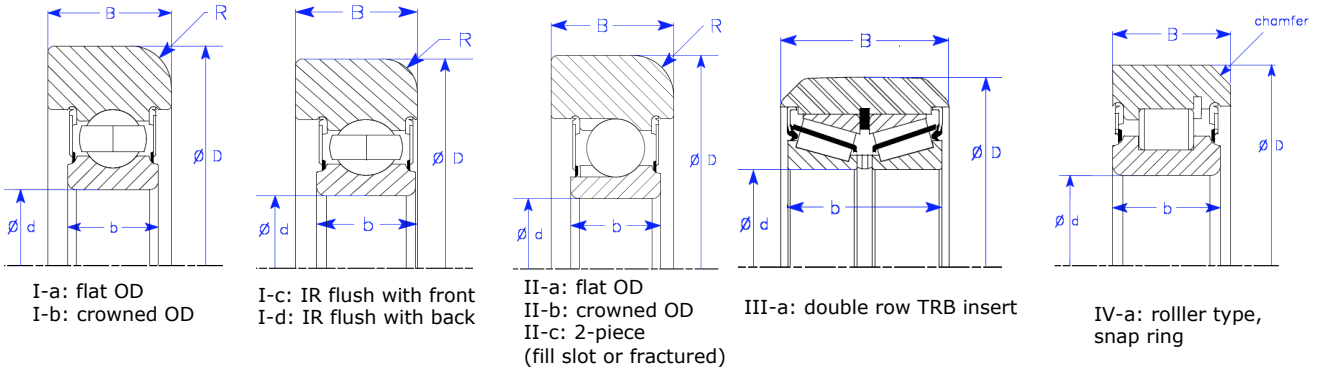
X-a: chamfered corner
X-b: radiused corner
X-c: 1-piece compact design

Part Number	Style	d	D	b	B	R	Cap. Cr.	Cap. Cor.	Weight
		mm	mm	mm	mm	mm	Dyn. (N)	Stat. (N)	lbs.
MG 308 T-21	I-a	40.00	118.40	23.00	28.00	6.00	40760	24020	3.95
MG 308 T-18	I-a	40.00	119.70	23.00	28.00	7.00	40760	24020	4.00
MG 308 FFW	I-a	40.00	119.70	23.00	28.00	6.00	40760	24020	4.00
MG 308 FFN16	I-a	40.00	122.90	23.00	32.00	6.00	40760	24020	4.70
MG 308 FFN17	I-a	40.00	123.50	23.00	32.00	6.00	40760	24020	4.70
MG 208 FFB	VII-a	40.00	125.40	18.00	25.30	chamfer	42650	33070	4.00
MG 308 T-12	I-a	40.00	125.50	23.00	32.00	7.00	40760	24020	4.75
MG 308 FF14	V-a	40.00	125.30	23/28	32.00	9.00	40760	24020	5.15
MG 308 FF15	V-a	50.00	126.00	23/28	32.00	9.00	40760	24020	5.15
MG 5208 VFFP	X-b	40.00	126.75	30.00	42.90	8.50	62120	55530	7.15
MG 5208 VFFE	X-b	40.00	126.75	30.00	42.90	20.00	62120	55530	6.90
MG 5208 VFFQU	X-b	40.00	126.75	30.00	42.90	20.00	62120	55530	7.15
MG 5208 VFFQH	X-b	40.00	126.80	30.00	45.00	8.00	62120	55530	7.15
MG 5208 VFFQX	X-b	40.00	127.30	30.00	42.90	8.50	62120	55530	7.20
MG 5208 VFFPA	X-b	40.00	127.50	30.00	42.90	8.50	62120	55530	7.25
MG 5208 VFFPB	X-b	40.00	128.27	30.00	42.90	8.50	62120	55530	7.30
MG 5208 VFFQZ	X-b	40.00	128.40	30.00	42.90	8.50	62120	55530	7.40
MG 308 R42	IV-a	42.86	94.30	35.70	34.90	chamfer	56280	38910	2.95



Enduro™ Mast Guides 45-46mm Bore

ABI Industries
6505 San Leandro St.
Oakland, CA 94621
Tel: 510 613 8200
Fax: 510 613 8207

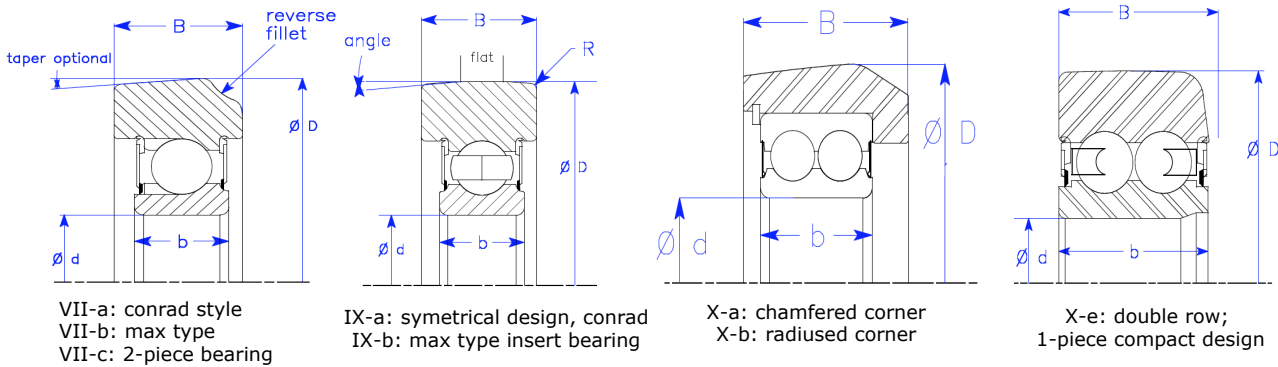
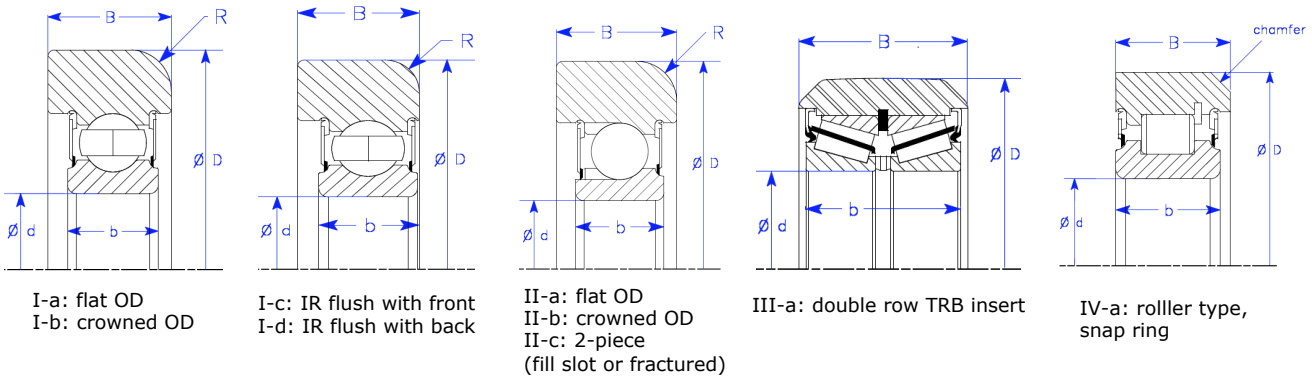


Part Number	Style	d	D	b	B	R	Cap. Cr.	Cap. Cor.	Weight
		mm	mm	mm	mm	mm	Dyn. (N)	Stat. (N)	lbs.
MG 309 DDS-1	IV-a	45.00	88.20	28.00	31.80	6.10	98300	134700	2.10
MG 309 RR	IV-a	45.00	89.00	28.00	30.00	chamfer	98300	134700	2.25
MG 209 DD	IX-a	45.00	101.32	19.00	28.35	3.20	24360	17710	2.30
MG 209 DD-R	IV-a	45.00	101.32	19.00	28.35	3.20	75300	89200	2.50
MG 309 DDL1	X-e	45.00	105.40	33.60	33.90	5.30	47400	36900	3.30
MG 309 DDL2	X-e	45.00	105.80	33.60	33.90	5.30	47400	36900	3.30
MG 309 DDL3	X-e	45.00	106.10	33.60	33.90	5.30	47400	36900	3.30
MG 309 DDM1	I-a	45.00	113.80	25.00	30.00	7.50	52990	32050	3.20
MG 309 DDM9	I-a	45.00	114.00	25.00	35.00	7.00	52990	32050	3.65
MG 309 DDM4	I-a	45.00	114.50	25.00	34.00	7.00	52990	32050	3.55
MG 309 DDJ	I-c	45.00	114.50	29.50	34.00	8.00	52900	32050	3.70
MG 309 DDM2	I-a	45.00	115.00	25.00	30.00	7.50	52990	32050	3.30
MG 309 DDM10	I-a	45.00	115.00	25.00	35.00	6.50	52990	32050	3.70
MG 309 DDM10	I-a	45.00	115.00	25.00	31.60	7.00	52990	32050	3.40
MG 309 DDM5	I-a	45.00	116.00	25.00	30.00	7.00	52990	32050	3.40
MG 309 DDM8	I-a	45.00	116.00	25.00	35.00	7.00	52990	32050	3.80
MG 309 DDM6	I-a	45.00	117.00	25.00	30.00	7.00	52990	32050	3.45
MG 309 DDM4	I-a	45.00	117.00	25.00	40.00	8.00	52990	32050	4.30
MG 309 KK1	I-a	45.00	117.00	25.00	32.00	6.50	52990	32050	3.75
MG 309 DDM3	I-a	45.00	118.00	25.00	40.00	8.00	52990	32050	4.30
MG 309 KK2	I-a	45.00	118.00	25.00	32.00	6.50	52990	32050	3.80
MG 309 DDT3	I-d	45.00	119.00	25.00	29.00	7.50	52990	32050	3.55



Enduro™ Mast Guides 45-46mm Bore

ABI Industries
6505 San Leandro St.
Oakland, CA 94621
Tel: 510 613 8200
Fax: 510 613 8207



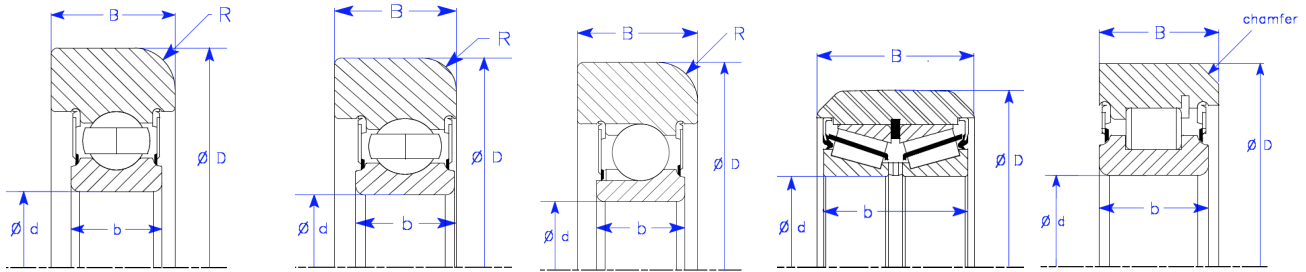
Part Number	Style	d	D	b	B	R	Cap. Cr.	Cap. Cor.	Weight
		mm	mm	mm	mm	mm	Dyn. (N)	Stat. (N)	lbs.
MG 309 KK3	I-a	45.00	119.00	25.00	32.00	6.50	52990	32050	3.85
MG 309 DDT	I-a	45.00	119.72	25.00	29.00	3.00	52990	32050	3.75
MG 309 DDTB	I-a	45.00	120.00	25.00	29.00	3.00	52990	32050	3.75
MG 309 KK4	I-a	45.00	120.00	25.00	32.00	6.50	52990	32050	3.85
MG 309 DDH	IX-a	45.00	120.65	25.00	31.75	3.20	52990	32050	3.85
MG 309 KK13	I-a	45.00	121.30	25.00	36.00	6.00	52990	32050	4.50
MG 309 KK14	I-a	45.00	122.00	25.00	36.00	6.00	52990	32050	4.50
MG 309 DDN7	I-a	45.00	122.90	25.00	34.00	7.00	52990	32050	4.50
MG 309 DDT5	I-a	45.00	123.50	25.00	34.00	8.00	52990	32050	4.55
MG 309 DDT6	I-a	45.00	124.00	25.00	34.00	8.00	52990	32050	4.60
MG 5209 VFFA	X-b	45.00	124.00	30.00	40.00	9.50	49500	39800	5.90
MG 309 T14	V-a	45.00	124.50	25/32.5	38.00	6.00	52990	32050	5.30
MG 309 T9	I-a	45.00	124.50	25.00	34.00	8.50	52990	32050	4.65
MG 309 DDE	VII-a	45.00	125.50	25.00	38.10	chamfer	52990	32050	4.85
MG 309 V5	I-a	45.00	127.00	25.00	30.00	7.00	52990	32050	4.50
MG 309 DDXA	IX-b	45.00	127.00	25.00	35.80	2.00	61770	51530	5.25
MG 309 DDA-R	IV-a	45.00	127.07	25.00	31.70	8.00	103200	124900	4.55
MG 309 DDA	I-a	45.00	127.07	25.00	31.70	8.00	52990	32050	4.55
MG 309 DDZ	II-a	45.00	127.07	25.00	31.70	8.00	61770	51530	4.65
MG 309 DDB	I-a	45.00	127.07	25.00	31.70	8.00	52990	32050	4.55
MG 5209 CCT	X-b	45.00	127.00	30.50	41.20	chamfer	48000	37500	6.80
MG 309 DD	VII-a	45.00	128.00	25.00	31.70	chamfer	52990	32050	4.65
MG 309 DDZ	IX-b	45.00	128.50	25.00	35.80	2.00	61770	51530	5.35
MG 309 DDCT	IX-d	45.00	162.00	25.00	38.30	chamfer	61770	51530	10.60
MG 5309 VFFZ	X-b	45.00	162.70	39.70	57.30	6.00	68000	51000	16.00
MG 45mm-A	III-a	45.24	111.40	44.28	50.80	chamfer	152600	155800	5.60



Enduro™ Mast Guides

50-58mm Bore

ABI Industries
 6505 San Leandro St.
 Oakland, CA 94621
 Tel: 510 613 8200
 Fax: 510 613 8207



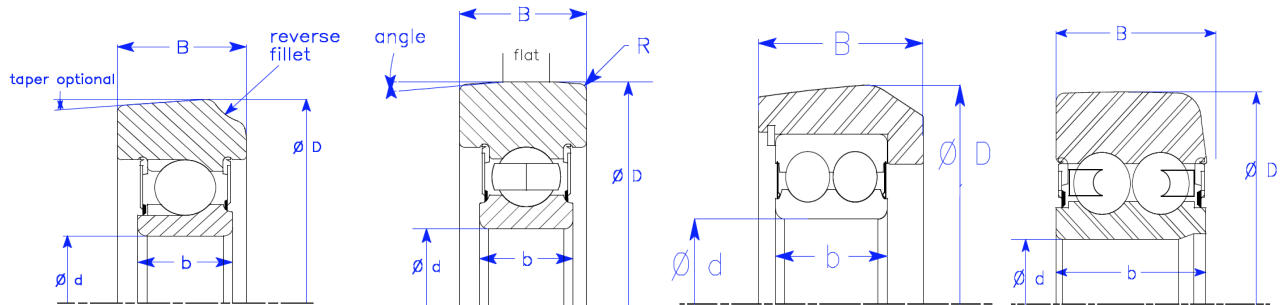
I-a: flat OD
 I-b: crowned OD

I-c: IR flush with front
 I-d: IR flush with back

II-a: flat OD
 II-b: crowned OD
 II-c: 2-piece
 (fill slot or fractured)

III-a: double row TRB insert

IV-a: roller type,
 snap ring



VII-a: conrad style
 VII-b: max type
 VII-c: 2-piece bearing

IX-a: symetrical design,
 conrad
 IX-b: max type insert bearing

X-a: chamfered corner
 X-b: radiused corner

X-e: double row;
 1-piece compact design

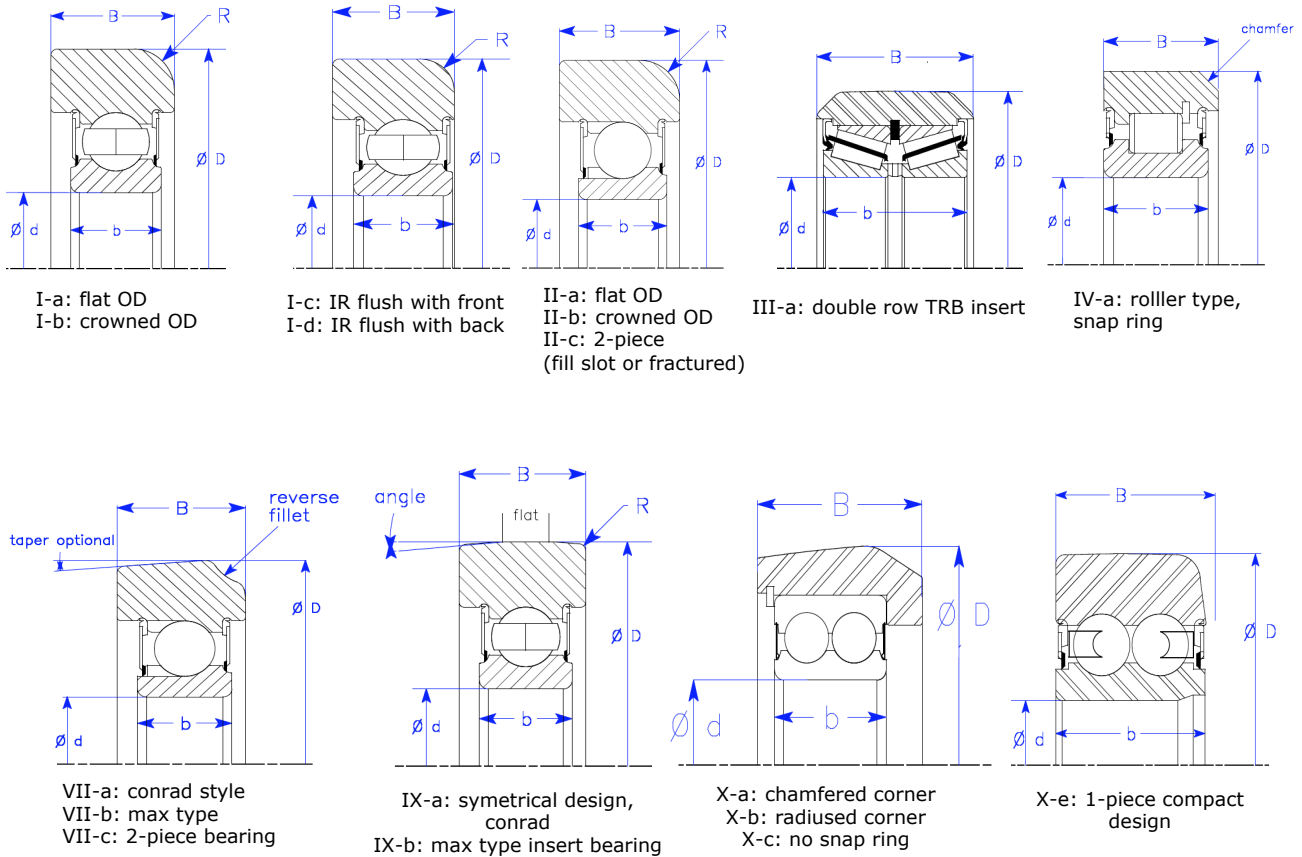
Part Number	Style	d	D	b	B	R	Cap. Cr.	Cap. Cor.	Weight
		mm	mm	mm	mm	mm	Dyn. (N)	Stat. (N)	lbs.
MG 310 RB-1	IV-a	50.00	101.00	28.50	31.80	2.00	77000	110000	2.50
MG 310 RB-2	IV-a	50.00	113.60	28.50	31.80	2.00	77000	110000	3.90
MG 310 DDT2	I-d	50.00	123.50	27.00	34.00	15.00	62000	38210	4.25
MG 310 CMB-1	IV-a	50.00	123.50	40.00	40.00	7.00	137800	170000	7.85
MG 310 DDT	I-a	50.00	124.30	27.00	34.00	7.00	62000	38210	4.25
MG 310 FFA	II-c	50.00	126.70	25.00	30.00	8.00	52300	49800	4.30
MG 310 DDN1	I-a	50.00	129.00	27.00	35.00	7.00	62000	38210	4.75
MG 310 DDM1	I-a	50.00	129.00	27.00	40.00	10.00	62000	38210	5.15
MG 310 NN7	I-a	50.00	129.00	27.00	38.00	5.50	62000	38210	5.35
MG 310 KK1	I-a	50.00	129.00	27.00	34.00	6.50	62000	38210	4.90
MG 310 DDN2	I-a	50.00	129.50	27.00	35.00	7.00	62000	38210	4.85
MG 310 DDN3	I-a	50.00	130.00	27.00	35.00	7.00	62000	38210	4.90
MG 310 DDM2	I-a	50.00	130.00	27.00	40.00	10.00	62000	38210	5.35
MG 310 KK2	I-a	50.00	130.00	27.00	34.00	6.50	62000	38210	4.90
MG 310 KK3	I-a	50.00	131.00	27.00	34.00	6.50	62000	38210	4.90
MG 310 CC5	II-a	50.00	132.70	25.00	30.00	10.00	52300	49800	4.80
MG 5210 VFFC	X-b	50.00	138.80	30.20	43.00	chamfer	69550	69730	8.15
MG 310 DDT5	VII-a	50.00	142.80	27.00	41.30	chamfer	62000	38210	7.20
MG 310 DDT6	VII-a	50.00	143.80	27.00	41.30	chamfer	62000	38210	7.30
MG 5210 VFF	X-b	50.00	163.83	30.20	43.00	2.00	69550	69730	12.80
MG 5210 VFFX	X-e	50.00	163.83	30.20	33.00	9.00	69550	69730	10.10
MG 310 MZ1	IX-a	50.80	103.30	36.00	34.50	2.00	45340	41430	2.65
MG 310 CC1	II-a	50.80	126.70	25.00	33.00	8.00	52300	49800	4.50



Enduro™ Mast Guides

50-58mm Bore

ABI Industries
 6505 San Leandro St.
 Oakland, CA 94621
 Tel: 510 613 8200
 Fax: 510 613 8207

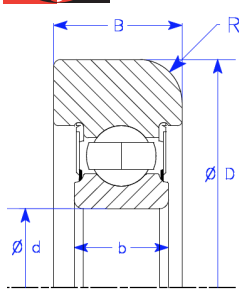


Part Number	Style	d	D	b	B	R	Cap. Cr.	Cap. Cor.	Weight
		mm	mm	mm	mm	mm	Dyn. (N)	Stat. (N)	lbs.
MR 55x97	IV-a	55.00	97.00	25.40	31.00	chamfer	53350	97170	2.90
MG 55mm-1	III-a	55.00	115.90	48.95	53.20	chamfer	218000	246000	6.25
MG 311 CH-1	IX-a	55.00	119.60	25.00	34.00	7.00	41020	30870	3.25
MG 311 FFC1	I-a	55.00	121.00	25.00	34.00	8.00	41020	30870	3.30
MG 211 FFY	IX-b	55.00	126.70	21.00	31.00	chamfer	48200	44000	4.00
MG 55mm-2	IV-a	55.00	136.50	43.50	46.35	5.00	185100	235700	6.00
MG 5211 VR	X-b	55.00	136.78	38.50	47.88	4.00	84060	83970	8.25
MG 311 KK1	I-a	55.00	148.30	29.00	45.00	7.00	72220	44800	8.50
MG 311 DDTY	IX-a	55.00	149.50	29.00	45.20	4.00	72220	44800	8.65
MG 311 FFTA	IX-a	55.00	151.75	29.00	45.20	11.00	72220	44800	8.80
MG 5211 VFFB	X-c	55.00	151.80	35.00	38.10	12.00	84060	83970	9.25
MG 311 FFA	I-a	55.00	151.90	29.00	38.10	11.00	72200	44800	7.90
MG 311 FFA-R	IV-a	55.00	151.90	29.00	38.10	11.00	187400	219000	7.90
MG 311 FF7	I-a	55.00	152.47	29.00	38.10	11.20	72220	44800	8.05
MG 5211 VFFA	X-b	55.00	159.26	38.50	47.88	2.00	84060	83970	9.15
MG 311 FF8	I-a	55.00	160.27	29.00	38.10	11.00	72220	44800	9.40
MG 5311 VFFA-G	X-c	55.00	163.50	49.21	54.21	11.00	84060	83970	15.00
MG 311 FF	I-a	55.00	164.30	29.00	38.10	11.00	72220	44800	9.85
MG 311 FFN	I-a	55.00	164.46	29.00	45.00	11.00	72220	44800	11.55
MG 5211 VFF	X-b	55.00	189.50	38.50	46.00	chamfer	84060	83970	18.90
MG 225-CL5	IV-a	57.15	163.58	57.15	57.15	chamfer	183200	275700	16.35

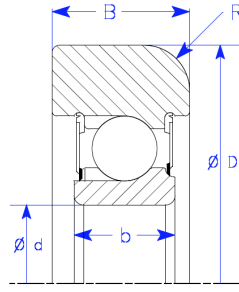


Enduro™ Mast Guides >60mm Bore

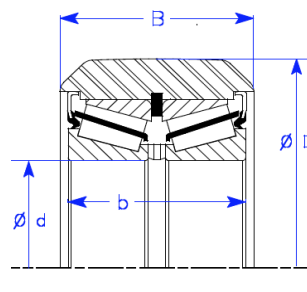
ABI Industries
6505 San Leandro St.
Oakland, CA 94621
Tel: 510 613 8200
Fax: 510 613 8207



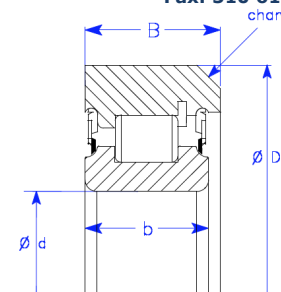
I-a: flat OD
I-b: crowned OD



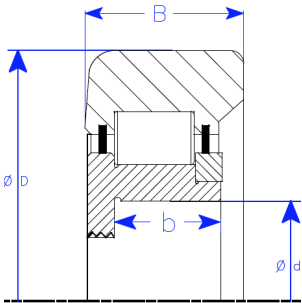
II-a: flat OD



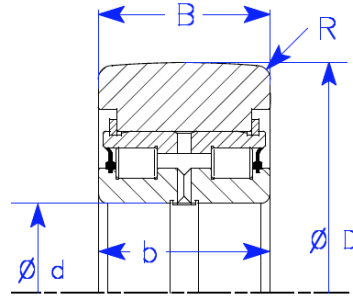
III-a: double row TRB insert



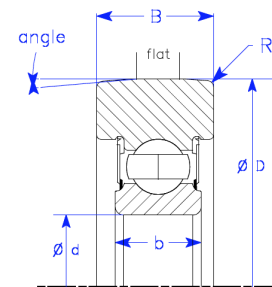
IV-a: rolller type;
snap ring
IV-b: two-piece IR



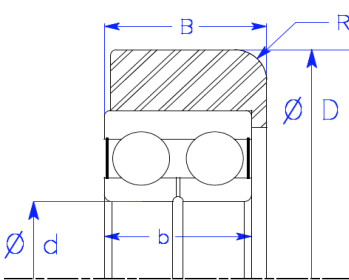
IV-c: threaded bore



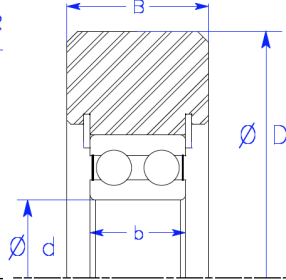
IV-d, IV-f: double
row roller bearing



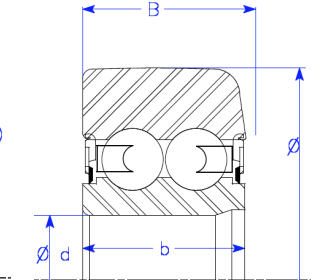
IX-a: symmetrical design,
conrad



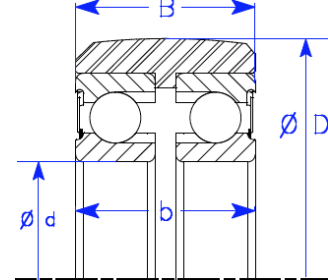
X-c: 2-piece, no snap ring



X-d: two snap rings



X-e: compact one-piece design



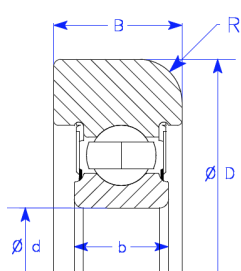
X-f: two fill-slot bearings

Part Number	Style	d	D	b	B	R	Cap. Cr.	Cap. Cor.	Weight
		mm	mm	mm	mm	mm	Dyn. (N)	Stat. (N)	lbs.
MG 312 N-20	I-a	60.00	148.50	31.00	45.00	6.00	51850	81750	7.70
MG 312 DDM1	II-a	60.00	149.00	25.00	36.00	7.00	95610	84250	7.00
MG 312 N-21	I-a	60.00	149.50	31.00	45.00	6.00	51850	81750	7.75
MG 312 DDM5	I-a	60.00	149.50	31.00	45.00	7.50	51850	81750	7.70
MG 312 DDX	I-a	60.00	149.50	31.00	52.00	11.00	51850	81750	9.00
MG 312 DDM6	I-a	60.00	150.00	31.00	45.00	7.50	51850	81750	8.05
MG 312 DDM7	I-a	60.00	150.50	31.00	45.00	7.50	51850	81750	8.25
MG 312 DDM2	II-a	60.00	150.00	25.00	36.00	7.00	95610	84250	7.00
MG 312 DDM3	II-a	60.00	151.00	25.00	36.00	7.00	95610	84250	7.00
MG 212 DDA	IX-a	60.00	126.70	22.00	31.10	4.00	47760	32930	3.85
MG 5212 VZZ	X-d	60.00	189.48	36.50	54.10	chamfer	89000	97000	20.40
MG 5212 VZZA	X-d	60.00	200.66	36.50	54.10	chamfer	89000	97000	23.55
MG 65mm-1	IV-b	65.00	108.00	30.00	30.00	7.00	82500	137400	2.75
MG 65mm-2	IV-b	65.00	115.00	31.70	36.00	7.00	82500	137400	3.50
MG 65mm-3	IV-b	65.00	115.50	31.70	36.00	7.00	82500	137400	3.50
MG 65mm-4	IV-b	65.00	116.00	31.70	36.00	7.00	82500	137400	3.55
MG 313 DDL1	X-e	65.00	135.10	35.00	42.00	6.00	56300	57600	5.95
MG 313 DDL2	X-e	65.00	135.60	35.00	42.00	6.00	56300	57600	6.00
MG 313 DDL3	X-e	65.00	136.00	35.00	42.00	6.00	56300	57600	6.00
MG 5213 BM-1	X-e	65.00	148.85	47.00	50.00	4.00	117000	121000	10.10
MG 313 DDA	I-a	65.00	175.00	33.00	45.00	6.00	47760	32930	11.00
MG 313 DDT	IX-a	65.00	183.50	33.00	45.00	8.00	47760	32930	14.10
MG 313 DDTA	IX-a	65.00	184.00	33.00	45.00	8.00	47760	32930	14.20
MG 5313 VFFAG	X-c	65.00	184.28	58.70	63.58	11.00	158200	193720	20.75
MG 5213 VFF-G	X-d	65.00	188.16	46.80	52.00	1.50	117000	121000	20.00

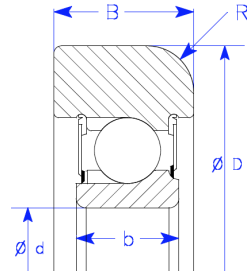


Enduro™ Mast Guides >60mm Bore

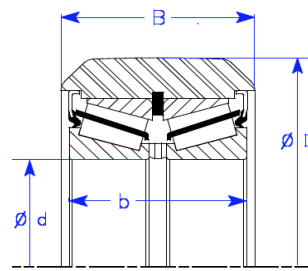
ABI Industries
6505 San Leandro St.
Oakland, CA 94621
Tel: 510 613 8200
Fax: 510 613 8207



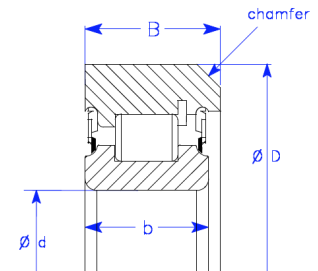
I-a: flat OD
I-b: crowned OD



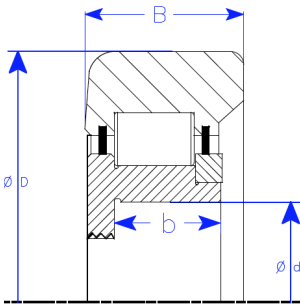
II-a: flat OD



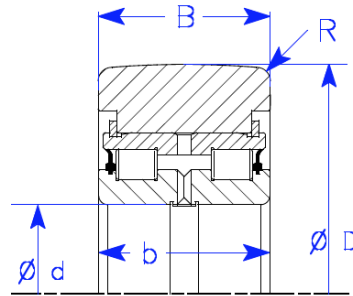
III-a: double row TRB insert



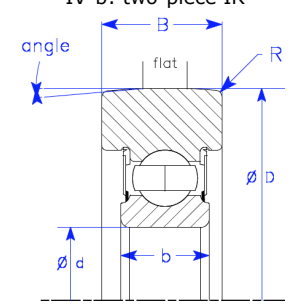
IV-a: roller type;
snap ring
IV-b: two-piece IR



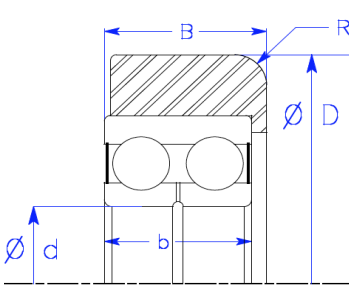
IV-c: threaded bore



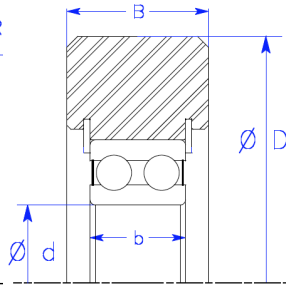
IV-d, IV-f: double
row roller bearing



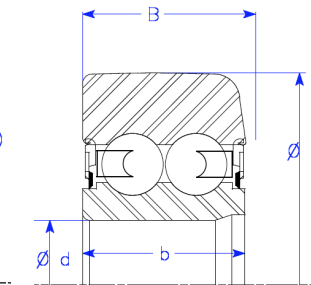
IX-a: symmetrical design,
conrad



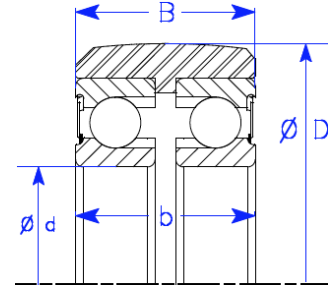
X-c: 2-piece, no snap ring



X-d: two snap rings



X-e: compact one-piece design



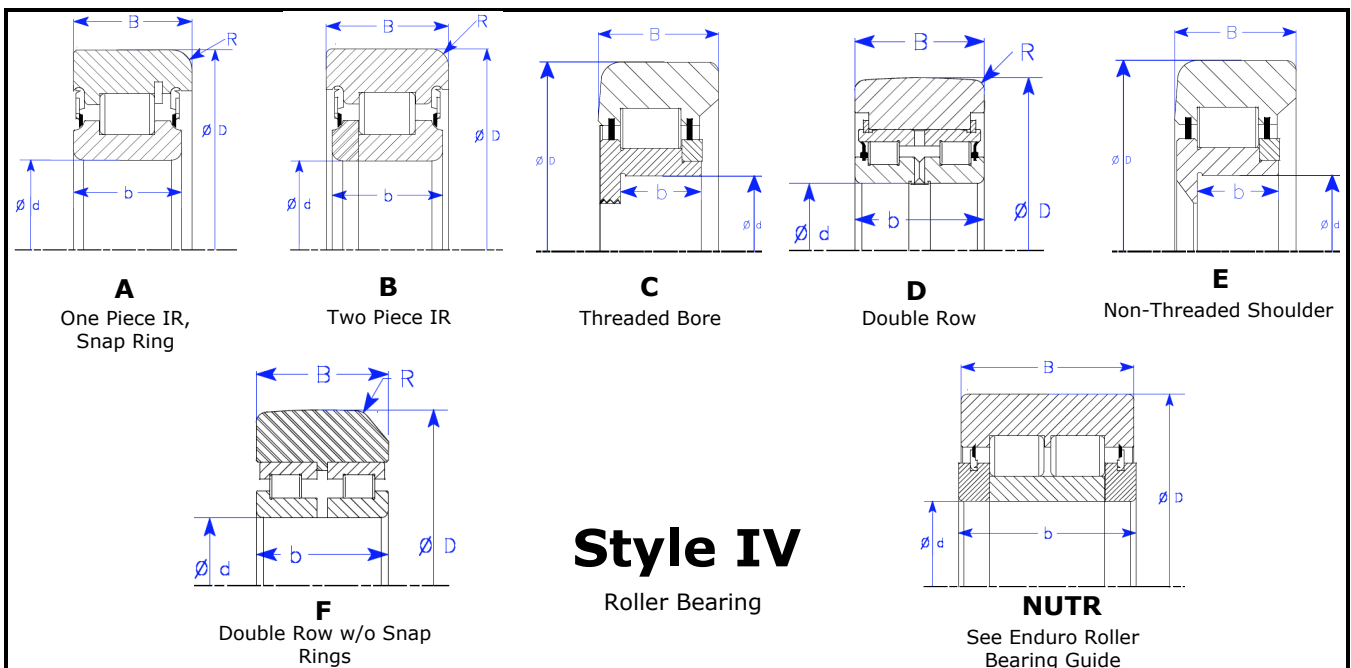
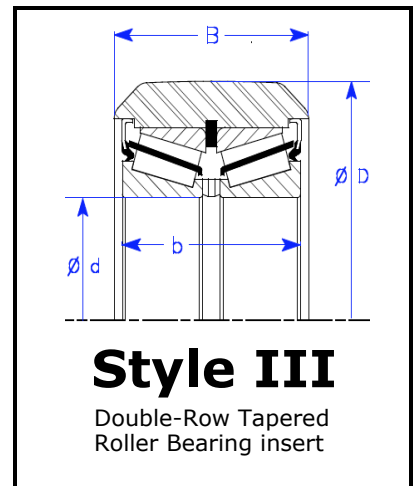
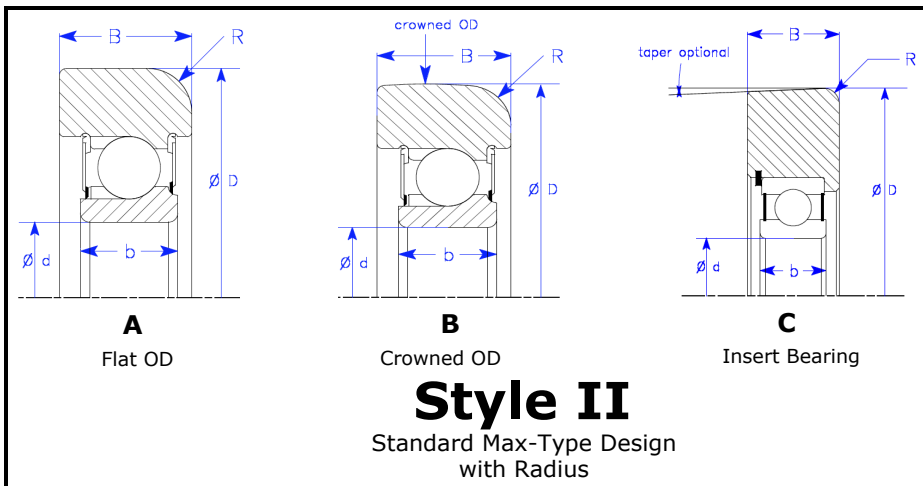
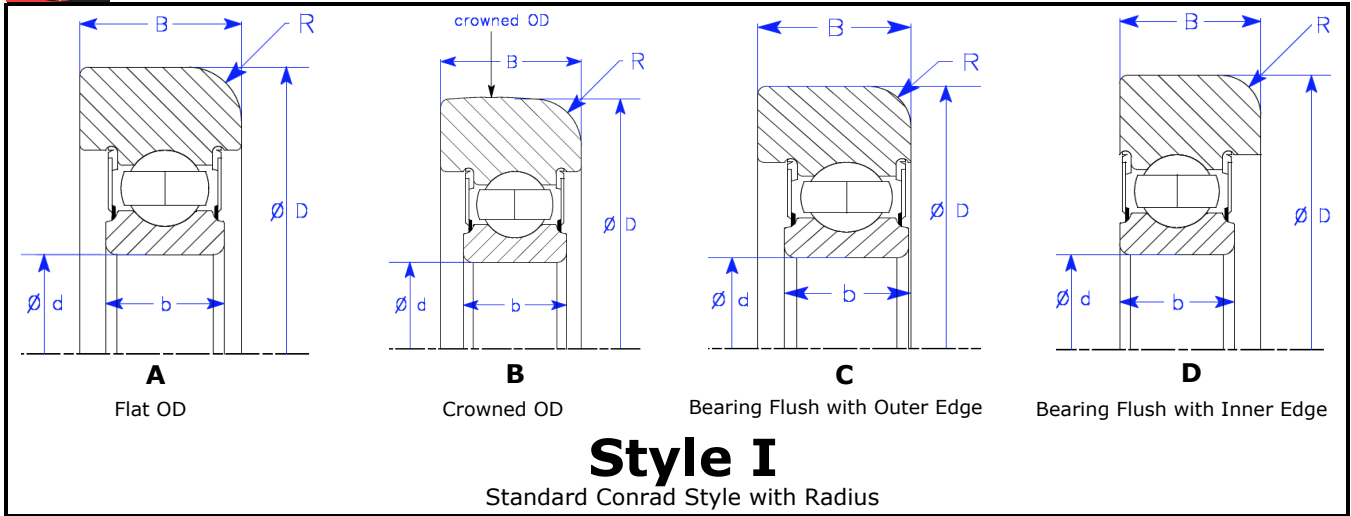
X-f: two fill-slot bearings

Part Number	Style	d	D	b	B	R	Cap. Cr.	Cap. Cor.	Weight
		mm	mm	mm	mm	mm	Dyn. (N)	Stat. (N)	lbs.
MG 70mm-4	IV-b	70.00	129.00	36.00	40.00	8.00	128900	198500	5.40
MG 70mm-3	III-a	70.00	136.50	60.50	60.50	chamfer	161000	245000	9.25
MG 70mm-2	I-a	70.00	200.00	35.00	56.00	9.00	104000	68000	20.00
MG 72mm-1	IV-d	72.70	174.65	62.00	62.50	chamfer	233000	420000	19.00
MG 75mm-1	I-a	75.00	200.00	37.00	56.25	9.00	114000	76500	20.00
MG 76mm-1	IV-a	76.20	163.30	29.00	38.10	6.00	147600	187100	10.05
MG 77.5-1	IV-a	77.45	126.50	31.60	31.50	chamfer	98200	172700	3.50
MG 80mm-1	IV-d	80.00	174.65	60.00	62.50	5.00	233000	420000	17.55
MG 80mm-3	IV-f	80.00	244.80	68.00	68.00	5.00	280000	340000	42.90
MG 5316 VFFA-G	X-c	80.00	203.20	66.67	86.00	16.00	168200	221900	30.00
MG 85mm-4	IV-a	85.00	170.00	41.00	46.00	10.00	200000	280000	8.00
MG 85mm-1	III-a	85.00	174.60	69.50	69.50	chamfer	161000	245000	17.70
MG 85mm-2	X-f	85.00	174.60	64.30	63.50	chamfer	193600	196000	14.85
MG 85mm-3	III-a	85.00	252.00	70.00	70.00	chamfer	280000	340000	50.00
MG 90mm-1	IV-c	90.00	150.00	40.00	40.00	5.00	141000	289300	6.50
MG 92mm-1	IV-c	92.00	163.50	54.00	57.25	8.00	239700	393600	10.90
MG 100mm-3	I-a	100.00	203.00	34.00	51.80	6.60	122000	92000	15.20
MG 100mm-1	I-a	100.00	205.00	34.00	51.80	6.60	122000	92000	15.35
MG 100mm-2	I-a	100.00	207.00	34.00	51.80	6.60	122000	92000	15.50
MG 110mm-1	III-a	110.00	225.50	74.14	79.50	chamfer	122000	92000	49.00
MG 110mm-3	III-a	110.00	253.00	74.14	82.55	chamfer	122000	92000	50.55
MG 110mm-4	X-f	110.00	240.00	77.00	95.25	chamfer	286000	236000	38.00
MG 475-1	III-a	120.65	200.80	47.17	51.40	chamfer	43800	92800	26.70



Master Style Sheet

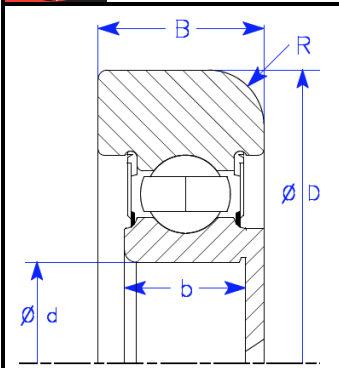
ABI Industries
 6505 San Leandro St.
 Oakland, CA 94621
 Tel: 510 613 8200
 Fax: 510 613 8207





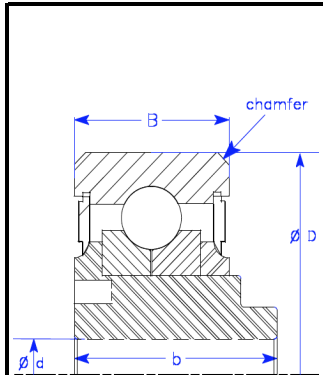
Master Style Sheet

ABI Industries
6505 San Leandro St.
Oakland, CA 94621
Tel: 510 613 8200
Fax: 510 613 8207



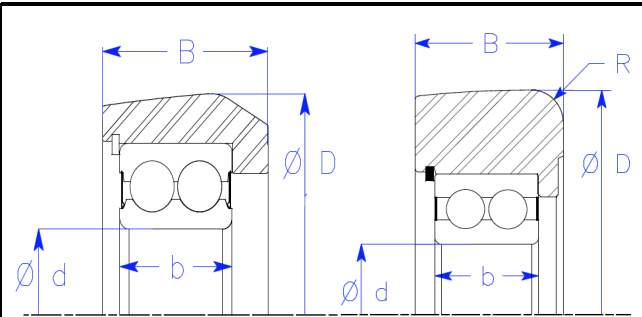
Style V

Closed Bore



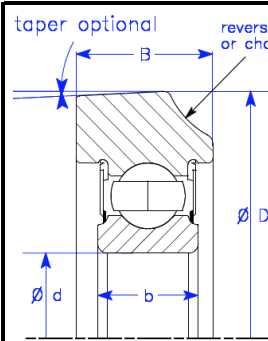
Style VI

Eccentric

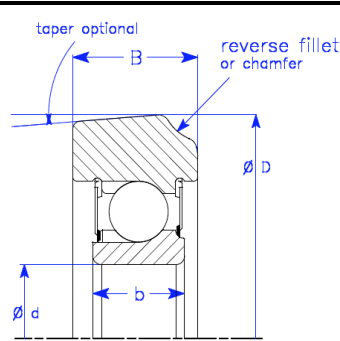


A
Chamfer

B
Radius



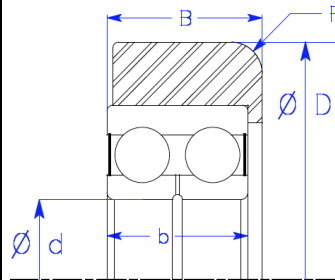
A
Conrad



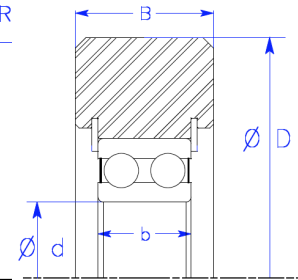
B
Max-Type

Style VII

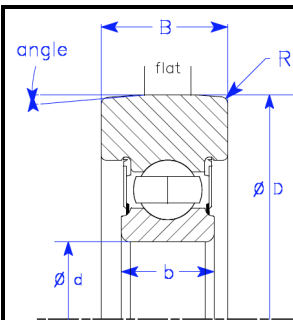
Chamfer or Reverse Fillet



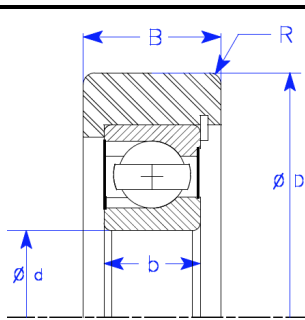
C
No Snap Ring



D
Two Snap Rings



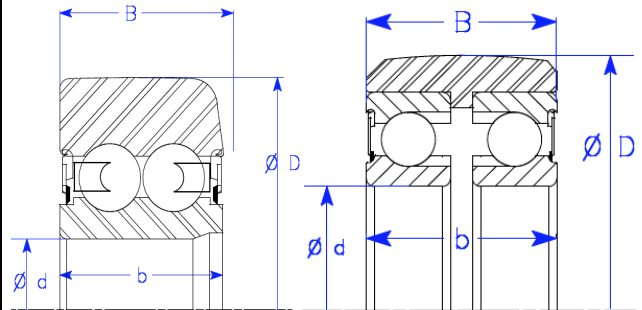
A
Conrad



B
Max-Type

Style IX

Symmetrical Design



E
One Piece Design

F
Two Max-Type Insert Bearings

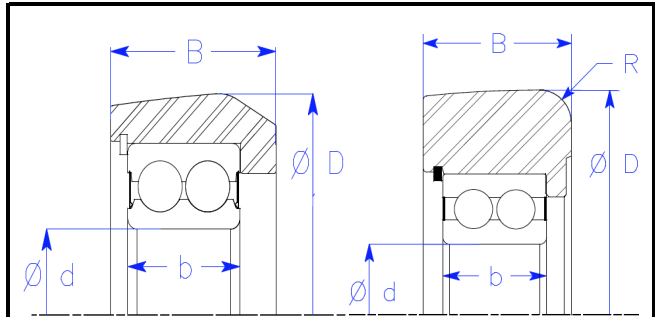
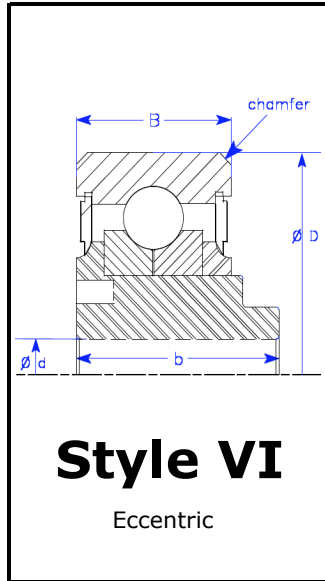
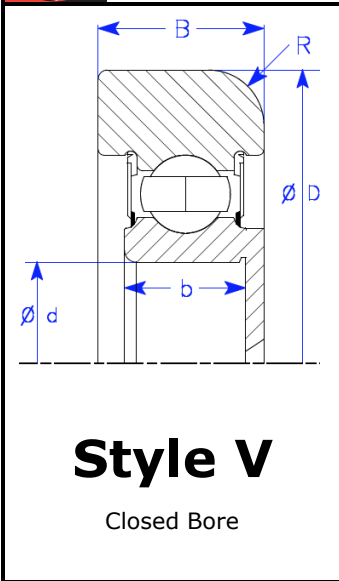
Style X

Double-Row Ball Bearing



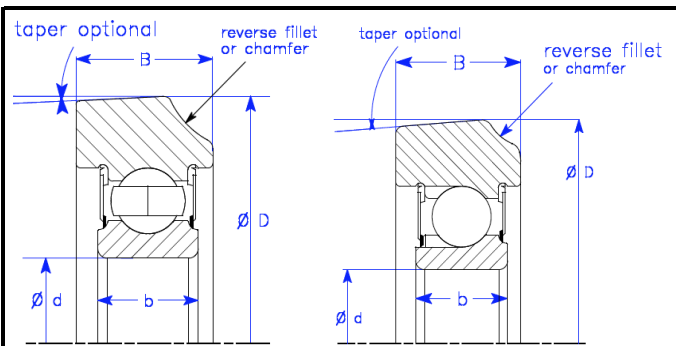
Master Style Sheet

ABI Industries
6505 San Leandro St.
Oakland, CA 94621
Tel: 510 613 8200
Fax: 510 613 8207



A
Chamfer

B
Radius

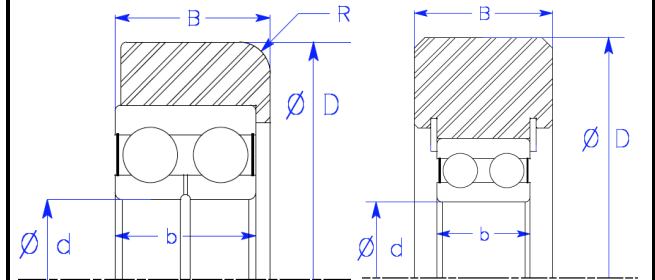


A
Conrad

B
Max-Type

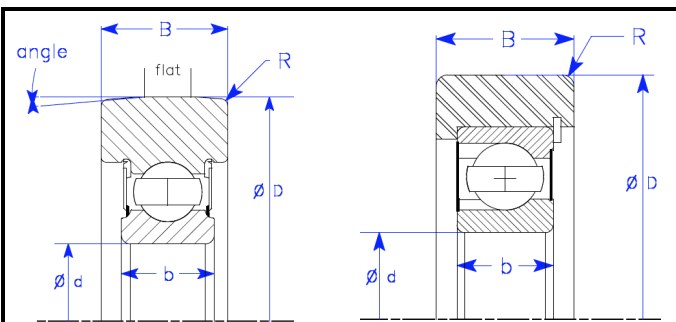
Style VII

Chamfer or Reverse Fillet



C
No Snap Ring

D
Two Snap Rings

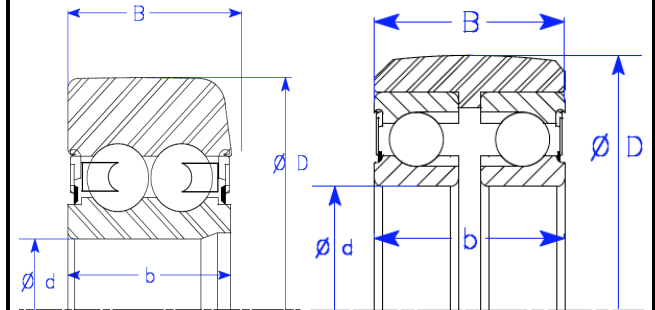


A
Conrad

B
Max-Type

Style IX

Symmetrical Design



E
One Piece Design

F
Two Max-Type Insert Bearings

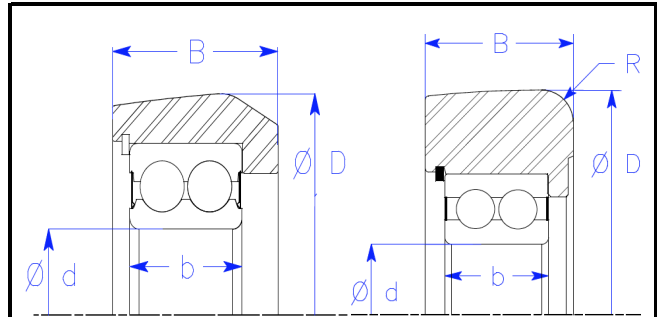
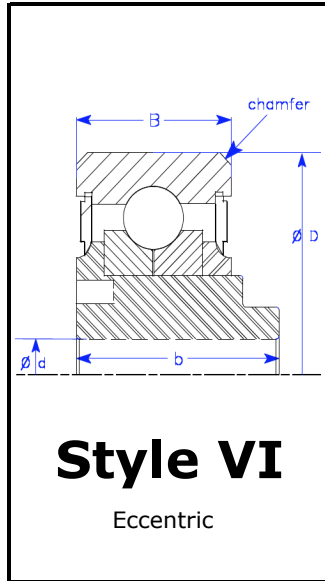
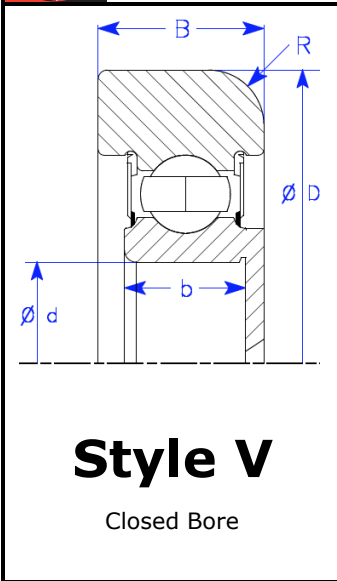
Style X

Double-Row Ball Bearing



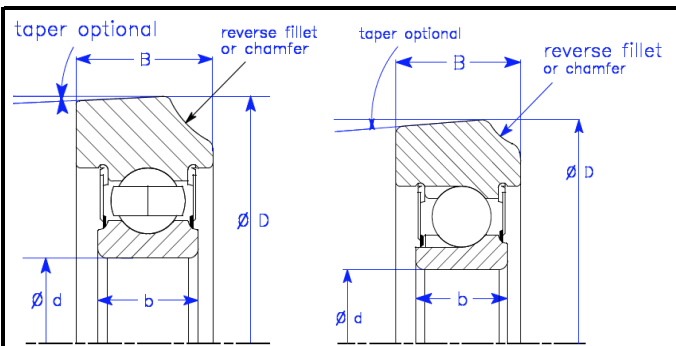
Master Style Sheet

ABI Industries
 6505 San Leandro St.
 Oakland, CA 94621
 Tel: 510 613 8200
 Fax: 510 613 8207



A
 Chamfer

B
 Radius

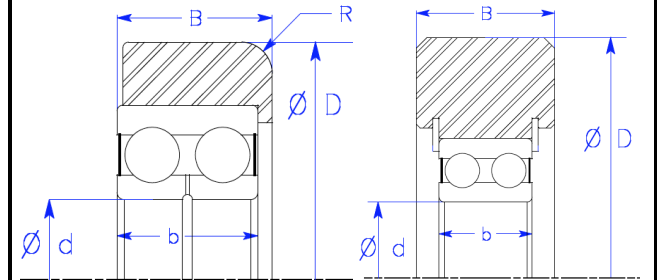


A
 Conrad

B
 Max-Type

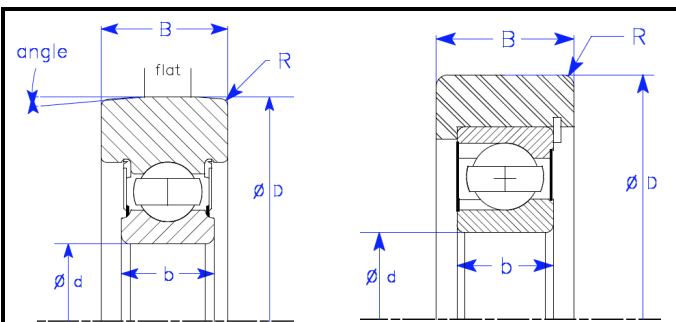
Style VII

Chamfer or Reverse Fillet



C
 No Snap Ring

D
 Two Snap Rings

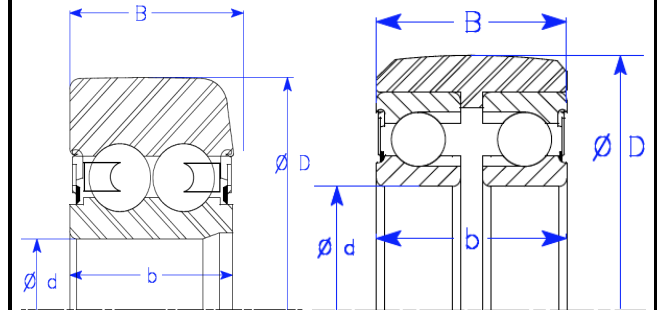


A
 Conrad

B
 Max-Type

Style IX

Symmetrical Design



E
 One Piece Design

F
 Two Max-Type Insert Bearings

Style X

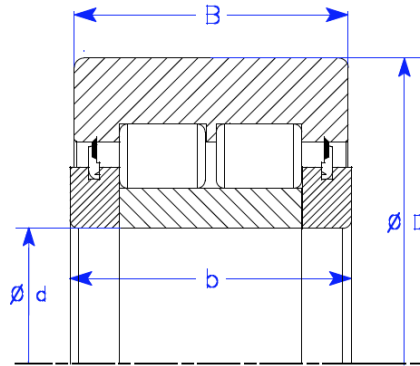
Double-Row Ball Bearing



Enduro™ Mast Guides

NUTR

ABI Industries
 6505 San Leandro St.
 Oakland, CA 94621
 Tel: 510 613 8200
 Fax: 510 613 8207



NUTR
 Enduro Roller
 Bearing Series

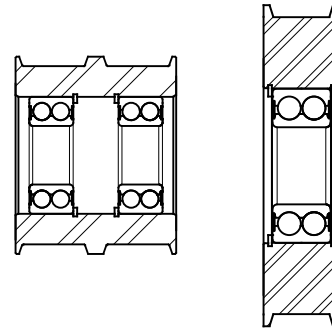
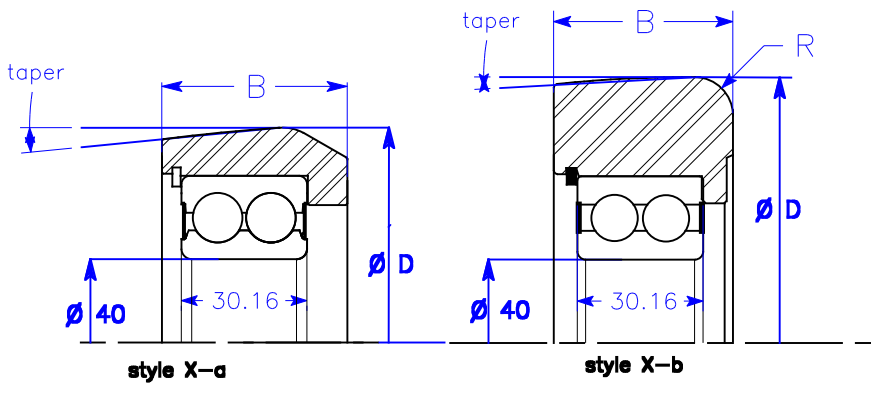
Part Number	d	D	b	B	Cap. Cr.	Cap. Cor.	Weight
	mm	mm	mm	mm	Dyn. (N)	Stat. (N)	lbs.
NUTR 15	15.0	35.0	19.0	18.0	23000	27000	0.22
NUTR 17	17.0	40.0	21.0	20.0	24800	31000	0.32
NUTR 1542	15.0	42.0	19.0	18.0	23000	27000	0.35
NUTR 1747	17.0	47.0	21.0	20.0	24800	31000	0.49
NUTR 20	20.0	47.0	25.0	24.0	39000	50000	0.54
NUTR 2052	20.0	52.0	25.0	24.0	39000	50000	0.71
NUTR 25	25.0	52.0	25.0	24.0	43500	60000	0.62
NUTR 2562	25.0	62.0	25.0	24.0	43500	60000	0.99
NUTR 30	30.0	62.0	29.0	28.0	59000	79000	1.03
NUTR 3072	30.0	72.0	29.0	28.0	59000	79000	1.54
NUTR 35	35.0	72.0	29.0	28.0	65000	93000	1.39
NUTR 3580	35.0	80.0	29.0	28.0	65000	93000	1.84
NUTR 40	40.0	80.0	32.0	30.0	90000	134000	1.80
NUTR 45	45.0	85.0	32.0	30.0	95000	147000	1.95
NUTR 4090	40.0	90.0	32.0	30.0	90000	134000	2.49
NUTR 50	50.0	90.0	32.0	30.0	100000	161000	2.10
NUTR 45100	45.0	100.0	32.0	30.0	95000	147000	3.08
NUTR 50110	50.0	110.0	32.0	30.0	100000	161000	3.73
NUTR 50110-A	50.0	110.0	32.0	40.0	100000	161000	4.61
MG 127mm-1	127.0	228.6	80.0	80.0	385000	785000	16.35



MG 5208 Series Mast Guide Bearing Assemblies

This is an overview of all stocked MG 5208 series assemblies
 These mast guide bearing assemblies are all based on the
 5208 2RS-max bearing insert

We can supply custom sizes based on this bearing with short lead times and low annual minimums. Ask our sales engineers about the various materials, OD profiles, etc. for 5208 2RS max based mast guide and chain sheave assemblies .



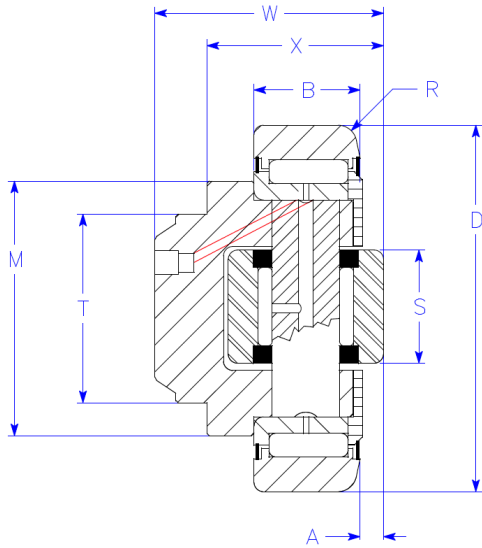
Chain Sheaves available also
 Low minimum for custom sizes

Enduro Part No.	Style	D	B	R	Meter	Misc.	HYSTER	YALE
MG 5208 VFF	X-a	103.5	44.5			MRC 5208-BTZ1	193557	2200133-52
MG 5208 VFFA	X-a	103.5	42.5			MRC 5208-BTZ2	186711 /1343005	
MG 5208 VFFQ	X-b	103.6	42.85	8	CU 2607A		1366648 /	5200453-69
MG 5208 VFFQA	X-b	104.4	42.85	8			1343010	5200453-73
MG 5208 VFFQB	X-b	105.2	42.85	8			1343011	5200453-74
MG 5208 VFFQE	X-b	103.5	40.85	10.5			1399200	5800102-75
MG 5208 VFFQQ	X-b	104.25	40.85	10.5	CU 3246B		1399201	5800102-76
MG 5208 VFFQR	X-b	105	40.85	10.5	CU 3246C		1399202	5800102-77
MG 5208 VFFP	X-b	126.75	42.85	8.5	CU 2604		1333649/186701	5200453-70
MG 5208 VFFE	X-b	126.75	42.85	20		McG.BB-1556-4	327898	
MG 5208 VFFPA	X-b	127.5	42.85	8.5	CU 2604B		1343002	
MG 5208 VFFPB	X-b	128.25	42.85	8.5	CU 2604C		1343003	
MG 5208 VFFQU	X-b	126.75	42.85	20	CU 3046A	McG.BB-2082	1399203	5800102-78
MG 5208 VFFQH	X-b	126.75	45				302828 / 110520	
MG 5208 VFFQX	X-b	127.3	42.85	8.5			1399204	5800102-79
MG 5208 VFFQZ	X-b	128.4	42.85	8.5			1399205	



Enduro™ Mast Guides Combination Rollers

ABI Industries
6505 San Leandro St.
Oakland, CA 94621
Tel: 510 613 8200
Fax: 510 613 8207



Combination Rollers

Enduro Roller
Bearing Series

Part Number	D	M	T	W	X	B	A	S	R	C	Co	CA	CoA	Weight
	mm	mm	mm	mm	mm	mm	mm	mm	mm	Dyn. (N)	Stat. (N)	Dyn. (N)	Stat. (N)	lbs.
MG 4.053	52.5	40.0	30.0	33.0	27.0	17.0	5.0	15.0	2.0	24000	32000	7000	7000	1.014
MG 4.054	62.5	42.0	30.0	37.5	30.5	20.0	2.5	20.0	3.0	31000	35500	11000	11000	1.168
MG 4.055	70.1	48.0	35.0	44.0	36.0	23.0	2.5	22.0	4.0	45500	51000	13000	14000	1.764
MG 4.056	77.7	54.0	40.0	48.0	36.5	23.0	3.0	26.0	4.0	48000	56800	18000	18000	2.205
MG 4.057	77.7	53.0	40.0	40.0	29.0	23.0	3.0	26.0	4.0	48000	56800	18000	18000	1.918
MG 4.058	88.4	59.0	45.0	57.0	44.0	30.0	3.5	26.0	3.0	68000	72000	23000	23000	3.571
MG 4.059	101.2	67.0	50.0	46.0	33.0	28.0	3.0	30.0	3.0	73000	82000	25000	27000	3.836
MG 4.060	107.7	71.0	55.0	53.0	39.0	31.0	3.0	34.0	5.0	81000	95000	31000	36000	5.004
MG 4.061	107.7	71.0	60.0	69.0	55.0	31.0	4.0	34.0	5.0	81000	95000	31000	36000	6.217
MG 4.062	123.0	80.0	60.0	72.3	56.0	37.0	5.0	40.0	5.0	110000	132000	43000	50000	8.576
MG 4.063	149.0	103.0	60.0	77.5	58.5	43.0	5.5	50.0	3.0	151000	192000	68000	71000	14.374

Precision Combination Rollers

Part Number	D	M	T	W	X	B	A	S	R	C	Co	CA	CoA	Weight
	mm	mm	mm	mm	mm	mm	mm	mm	mm	Dyn. (N)	Stat. (N)	Dyn. (N)	Stat. (N)	lbs.
MG 6.054	64.8	42.0	30.0	37.5	30.5	20.0	2.5	20.0	3.0	31000	35500	11000	11000	1.213
MG 6.055	73.8	48.0	35.0	44.0	36.0	23.0	2.5	22.0	4.0	45500	51000	13000	14000	1.874
MG 6.056	81.8	54.0	40.0	48.0	36.5	23.0	3.0	26.0	4.0	48000	56800	18000	18000	2.425
MG 6.058	92.8	59.0	45.0	57.0	44.0	30.0	3.5	26.0	3.0	68000	72000	23000	23000	3.748
MG 6.061	111.8	71.0	60.0	69.0	55.0	31.0	4.0	34.0	5.0	81000	95000	31000	36000	6.504
MG 6.062	127.8	80.0	60.0	72.3	56.0	37.0	5.0	40.0	5.0	110000	132000	43000	50000	9.039
MG 6.063	153.8	103.0	60.0	77.5	58.5	43.0	5.5	50.0	3.0	151000	192000	68000	71000	15.102

C = Dynamic load capacity radial bearing
CO = Static load capacity radial bearing
CA = Dynamic load capacity axial bearing
COA = Static load capacity axial bearing

Adjustable combination rollers also available.



Interchange





Enduro™ Mast Guide OE Interchange

ABI Industries
6505 San Leandro St.
Oakland, CA 94621
Tel: 510 613 8200
Fax: 510 613 8207

TOYOTA

OE Number	Enduro		OE Number	Enduro
00591-43916-81	MG 308 FFW		63341-U2200-71	MG 305 DDY
61236-10480-71	MG 307 FFWB		63348-30510-71	MG 307 FFWB
61236-10890-71	MG 305 DDE		63348-30550-71	MG 308 T-15
61236-11500-71	MG 307 FFWU		63348-U1100-71	MG 307 FFA
61236-13601-71	MG 307 FFAB		63355-31960-71	MG 309 DDQ
61236-13601-71	MG 307 FFAB		63355-31961-71	MG 309 T9
61236-16600-71	MG 307 T-15		63355-31980-71	MG 309 DDQ
61236-20540-71	MG 308 FFP		63355-32880-71	MG 309 T9
61236-20620-71	MG 307 FFWB		63356-32880-71	MG 309 T14
61236-23600-71	MG 308 FFW		63357-32880-71	MG 309 T14
61236-23601-71	MG 308 FFW		63358-13601-71	MG 307 FFAB
61236-34241-71	MG 308 FFK		63358-22020-71	MG 308 FFK
61236-F2030-71	MG 308 FFW		63358-30800-71	MG 308 FFP
61236-N1060-71	MG 307 T-15		63358-31960-71	MG 307 FFWB
61236-U1000-71	MG 307 FFWB		63358-U1020-71	MG 307 FFWB
61236-U1010-71	MG 307 FFWU		63358-U1100-71	MG 307 FFA
61236-U1101-71	MG 307 FFA		63358-U2000-71	MG 308 FFP
61236-U1280-71	MG 307 FFTT		63358-U2100-71	MG 308 FFW
61236-U2010-71	MG 308 FFK		63381-10480-71	MG 307 FFW
61236-U2101-71	MG 308 FFW		63381-13600-71	MG 307 FFAC
61236-U2170-71	MG 308 FFW		63381-13601-71	MG 307 FFAB
61237-U1280-71	MG 307 FFTT-S		63381-20540-71	MG 308 FFQA
61238-U1280-71	MG 307 FFTT-L		63381-23420-71	MG 308 T-18
61246-32580-71	MG 312 DDX		63381-23601-71	MG 308 T-21
61246-34241-71	MG 308 FFK		63381-30800-71	MG 65mm-1
61246-U2010-71	MG 308 FFK		63381-31040-71	MG 311 KK1
61436-31620-71	MG 311 FFN		63381-31620-71	MG 311 KK1
61541-11060-71	MG 205 FF		63381-32680-71	MG 5209 VFFA
61541-U1100-71	MG 205 FF		63381-34250-71	MG 312 DDM5
61541-U2100-71	MG 305 DDE		63381-U1101-71	MG 307 FFAC
61552-34030-71	MG 90mm-1		63381-U2000-71	MG 308 FFQA
61821-10480-71	MG 307 T-13		63381-U2101-71	MG 308 T-21
61821-11500-71	MG 307 FFKA		63381-U2170-71	MG 308 T-18
61821-20540-71	MG 308 T-12		63382-23420-71	MG 308 T-18
61821-34240-71	MG 308 FF14		63382-U2170-71	MG 308 T-18
61821-34241-71	MG 308 FF14		63491-u2230-71	MG 308 FFW
61821-U1000-71	MG 307 T-13		76162-30201-71	MG 309 DDM9
61821-U1010-71	MG 307 FFKA		76181-30340-71	MG 308 T-15
61821-U2000-71	MG 308 T-12		76451-10111-71	MG 305 DDTY
61821-U2010-71	MG 308 FF14		76451-30170-71	MG 305 DDH
61831-34241-71	MG 308 FF14		76451-30200-71	MG 309 DDJ
61831-U2010	MG 308 FF14		76451-U1000-71	MG 205 FF
63333-24760-71	MG 308 FFP		76451-U1100-71	MG 205 FF
63333-24760-71	MG 308 FFP		76451-U2000-71	MG 305 DDE
63341-23470-71	MG 305 DDY		76451-U2110-71	MG 305 DDTY
63341-42200-71	MG 305 DDY		76451-U3110-71	MG 305 DDH



Enduro™ Mast Guide OE Interchange

ABI Industries
6505 San Leandro St.
Oakland, CA 94621
Tel: 510 613 8200
Fax: 510 613 8207

NISSAN

OE Number	Enduro		OE Number	Enduro
3006042	MG 208 FFB		59117-20H12	MG 308 FFN17
59117-00H00	MG 307 FFN-14		59117-GL20A	MG 312 N-20
59117-00H01	MG 307 FFN17		59117-GL21A	MG 312 N-21
59117-00H02	MG 307 FFN18		59117-L1110	MG 309 DDN7
59117-00H11	MG 307 FFN-9		59117-L1210	MG 309 DDN7
59117 00H12	MG 307 FFN-10		59117-L1211	MG 309 DDN7
59117-01H00	MG 307 FFN1		59117-L1212	MG 309 DDT5
59117-10H00	MG 307 FFN4		59117-L1400	MG 307 FFN8
59117-10H01	MG 307 FFN5		59117-L6000	MG 310 DDN1
59117-10H02	MG 307 FFN6		59117-L9200	MG 311 FFN
59117-10H10	MG 307 FFN1		59117-L9400	MG 310 NN7
59117-10H11	MG 307 FFN2		59530-L1150	MG 65mm-2
59117-10H12	MG 307 FFN3		59530-L1450	MR 55x97
59117-20H00	MG 308 FFN1		59531-L1100	MG 65mm-2
59117-20H01	MG 308 FFN2		59531-L1101	MG 65mm-3
59117-20H02	MG 308 FFN3		59531-L1102	MG 65mm-4
59117-20H10	MG 308 FFN16		59531-L1162	MG 65mm-4
59117-20H11	MG 308 FFN17		59531-L6000	MG 70mm-4



Enduro™ Mast Guide OE Interchange

ABI Industries
6505 San Leandro St.
Oakland, CA 94621
Tel: 510 613 8200
Fax: 510 613 8207

HYSTER

OE Number	Enduro		OE Number	Enduro
87905	MG 307 FF29		1395169	MG 207 FFJA
110520	MG 5208 VFFQH		1395169	MG 207 FFU
110607	MG 5208 VFFQ		1395170	MG 207 FFQA
113541	MG 5208 VFFQ		1395171	MG 207 FFJA
121346	MG 5208 VFF		1395172	MG 308 FFU
125223	MG 5211 VR		1395173	MG 207 FFU
126766	MG 5208 VFFA		1395174	MG 207 FFWA
127906	MG 5208 VFFA		1395177	MG 206 FFZ
132827	MG 207 FFK		1399200	MG 5208 VFFQE
132828	MG 207 FFH		1399201	MG 5208 VFFQ
148914	MG 207 FFH		1399202	MG 5208 VFFQR
149530	MG 207 FFK		1399203	MG 5208 VFFQU
151992	MG 207 FFH		1399204	MG 5208 VFFQX
152299	MG 5208 VFFP		1399205	MG 5208 VFFQX
180831	MG 5208 VFFP		1511882	MG 5208 VFFQE
185530	MG 207 FFH		1511883	MG 5208 VFFQQ
185531	MG 207 FFK		1511884	MG 5208 VFFQR
186701	MG 5208 VFFP		1691113	MG 5211 VFFA
186711	MG 5208 VFFA		1691114	MG 5213 VFF-G
193557	MG 5208 VFF		2039336	MG 212 DDA
231019	MG 5208 VFF		2039337	MG 212 DDA
300677	MG 310 MZ1		2302587	MG 207 FFQB
302828	MG 5208 VFFQH		2303610	MG 212 DDA
322928	MG 206 FFZ		2305194	MG 209 DD
327898	MG 5208 VFFE		2308262	MG 207 HH1
329090	MG 207 FFH		2309514	MG 209 DD
329091	MG 207 FFK		3003600	MG 308 FFP
342404	MG 5208 VFFA		3003606	MG 307 FFWB
376056	MG 5211 VFFA		3003607	MG 307 T-13
387091	MG 5213 VFF-G		3003620	MG 308 FFK
395171	MG 207 FFJA		3003677	MG 310 MZ1
1310328	MG 207 FFQA		3003685	MG 306 DDL1
1313358	MG 5213 VFF-G		3003687	MG 206 FFE
1325765	MG 85mm-3		3003689	MG 309 DDA
1332037	MG 207 FFH		3003693	MG 206 FFPA
1332038	MG 207 FFQ		3003695	MG 209 DD
1333395	MG 207 FFQJ		3003696	MG 207 FFA
1333396	MG 207 FFQJ		3003766	MG 311 FF
1333397	MG 207 FFQM		3003767	MG 308 FFB
1333398	MG 207 FFU		3003769	MG 310 RB-1
1333399	MG 207 FFUE		3005932	MG 308 FFA
1333648	MG 5208 VFFQ		3006041	MG 208 FFA
1333649	MG 5208 VFFP		3006043	MG 207 FFA
1334431	MG 207 FFJB		3006044	MG 206 FFA
1334432	MG 207 FFJC		3006044	MG 206 FFA
1337900	MG 207 FFUH		3006046	MG 206 FFA
1343001	MG 5208 VFFP		3006181	MG 5311 VFFA-G
1343002	MG 5208 VFFPA		3021364	MG 209 DD-R
1343003	MG 5208 VFFPB		3021366	MG 207 FFA
1343005	MG 5208 VFFA		3040981	MG 305 DDE
1343010	MG 5208 VFFQA		3040992	MG 309 DDQ
1343011	MG 5208 VFFQB		3040995	MG 309 T9
1343017	MG 206 FFZ		3041584	MG 308 FFQA
1343018	MG 206 FFZ		3044329	MG 307 FFWB
1343019	MG 206 FFZ		3048822	MG 206 FFP
1345218	MG 308 FFU		3054631	MG 212 DDA
1345219	MG 308 FFUA		3063061	MG 206 FFU
1345220	MG 308 FFUB		3133427	MG 310 DDM2
1353191	MG 207 FFU		4019766	MG 207 FFJ
1353192	MG 207 FFUE		4019784	MG 207 FFJ
1363271	MG 207 FFWA		6701485	MG 5208 VFF
1363272	MG 207 FFWB		A115071	MG 307 FF29
1391969	MG 207 FFJA		87905	MG 307 FF29
1395168	MG 207 FFQJ			



Enduro™ Mast Guide OE Interchange

ABI Industries
6505 San Leandro St.
Oakland, CA 94621
Tel: 510 613 8200
Fax: 510 613 8207

YALE

OE Number	Enduro		OE Number	Enduro
0504002-00	MG 309 DDA		5196106-00	MG 207 HH1
0547965-00	MG 307 FFB		5200268-52	MG 207 FFUE
2200037-68	MG 207 FFQJ		5200368-16	MG 308 FFU
2200083-30	MG 206 FFA		5200368-16	MG 308 FFU
2200132-93	MG 5208 VFFQH		5200368-34	MG 207 FFQM
2200133-33	MG 5211 VR		5200368-37	MG 207 FFQM
2200133-52	MG 5208 VFF		5200368-48	MG 207 FFUH
2200205-56	MG 309 DDM10		5200368-52	MG 207 FFU
2200528-00	MG 310 RB-1		5200453-69	MG 5208 VFFQ
2200750-85	MG 207 FFJA		5200453-70	MG 5208 VFFP
2200751-03	MG 206 FFZ		5200453-73	MG 5208 VFFQA
2538512-00	MG 307 RB-1		5200453-74	MG 5208 VFFQB
5017963-00	MG 206 FFX		5203028-01	MG 306 DDB
5022763-00	MG 209 DD		5800014-29	MG 207 FFQJ
5022773-01	MG 209 DD		5800014-30	MG 207 FFU
5022773-02	MG 209 DD		5800014-34	MG 207 FFU
5040627-54	MG 206 FFZ		5800014-35	MG 207 FFWA
5040647-00	MG 207 FFQJ		5800014-37	MG 207 FFWA
5040647-74	MG 207 FFQM		5800029-72	MG 5211 VFFA
5040647-76	MG 207 FFQJ		5800102-75	MG 5208 VFFQE
5040717-19	MG 207 FFU		5800102-76	MG 5208 VFFQQ
5040717-33	MG 308 FFU		5800102-77	MG 5208 VFFQR
5040757-57	MG 207 FFWA		5800102-78	MG 5208 VFFQU
5040757-63	MG 207 FFU		5800102-79	MG 5208 VFFQX
5041172-00	MG 209 DD		5800316-72	MG 5208 VFFQQ
5051112-79	MG 307 FF29		5800316-73	MG 5208 VFFQQ
5070335-00	MG 209 DD		5800423-11	MG 207 HH3
5088008-00	MG 207 FFA		5800423-12	MG 207 HH2
5088018-00	MG 209 DD		5800907-33	MG 5211 VFFA
5133758-00	MG 209 DD		5988696-00	MG 207 FFQB
5133768-00	MG 207 FFA		8001263-10	MG 306 DDL1
5152173-00	MG 76mm-1		9000022-55	MG 207 FFU
5187976-34	MG 207 FFWA		9000032-85	MG 207 FFWA
5187976-84	MG 207 FFWA		9005561-00	MG 207 FFA
5187976-98	MG 207 FFWA		9045151-01	MG 209 DD
5188086-16	MG 207 FFU		9045481-00	MG 207 FFA
5188696-00	MG 207 FFQB		9075953-00	MG 212 DDA
5188696-00	MG 207 FFQJ		9139873-01	MG 212 DDA
5188966-00	MG 207 FFQB		9139873-02	MG 212 DDA
5188966-00	MG 207 FFQM		9249323-01	MG 308 FFUA



Enduro™ Mast Guides OE Interchange

ABI Industries
6505 San Leandro St.
Oakland, CA 94621
Tel: 510 613 8200
Fax: 510 613 8207

TCM

OE Number	Enduro		OE Number	Enduro
211F8-22221	MG 307 FFN4		24258-33411	MG 306 DD
214A8-22211	MG 305 DDX		24258-33411	MG 306 FFT
22198-20201	MG 306 DD		24609-42111	MG 309 DDT5
22198-20201	MG 306 FFT		24609-42121	MG 309 DDT6
22198-22341	MG 306 DD		25808-22201	MG 313 DDT
22198-22341	MG 306 FFT		25808-22211	MG 313 DDTA
22548-20501	MG 305 DDZ		27419-72911	MG 308 FFP
22578-22291	MG 307 FFTA		277P8-22051	MG 309 DDT3
22578-22401	MG 305 DDX		277P8-22051S	MG 309 DDT3
22658-22101	MG 311 FFTA		277P8-22061	MG 309 DDT
22658-22401	MG 311 FFTA		27838-32141	MG 309 DDT3
23458-22001	MG 309 DDT3		27838-32141;	MG 309 DDT3
23458-22101	MG 309 DDT		290A8-27391	MG 75mm-1
23458-22111	MG 309 DDT		53673-72101	MG 305 DDZ
23818-20701C	MG 310 DDT5		97E-SS	MG 309 DDT3
23918-22211	MG 310 DDT2		A-4S	MG 309 DDT
23918-22221	MG 310 DDT		A-8SS	MG 309 DDT3
23958-20701	MG 310 DDT5		H-7SS	MG 309 DDT3
23958-22081C	MG 310 DDT6		I-8SS	MG 309 DDT3



Enduro™ Mast Guide

OE Interchange

ABI Industries
6505 San Leandro St.
Oakland, CA 94621
Tel: 510 613 8200
Fax: 510 613 8207

CAT

OE Number	Enduro		OE Number	Enduro
30959	MG 310 MZ1		917004	MG 206 FFU
549221	MG 309 DDA		917012	MG 206 FFU
69024	MG 310 MZ1		971007	MG 206 FFPA
69024	MG 310 MZ1		971008	MG 308 FFA
90024	MG 310 MZ1		971538	MG 207 FFK
91132	MG 307 FF29		971539	MG 5208 VFF
91811	MG 310 MZ1		971540	MG 5208 VFFA
93391	MG 310 MZ1		972030	MG 207 FFA
103395	MG 310 DDM1		972433	MG 209 DD
185531	MG 207 FFK		973115	MG 308 FFE
215425	MG 5208 VFFQH		973330	MG 307 FF29
308918	MG 305 DD		973330	MG 307 FF29
314046	MG 309 DDA		973960	MG 209 DD
371202	MG 307 FFP		976700	MG 5210 VFF
537006	MG 5212 VZZ		976701	MG 5212 VZZ
540521	MG 5210 VFFC		1033978	MG 309 DDM4
641519	MG 5210 VFFC		1033980	MG 309 DDM3
641627	MG 5209 CCT		1033993	MG 310 DDM1
682973	MG 5210 VFFC		1033995	MG 310 DDM1
684642	MG 5209 CCT		1033996	MG 310 DDM2
684643	MG 5209 CCT		1036464	MG 206 FFA
687679	MG 5209 CCT		1040919	MG 309 DDM9
687940	MG 5210 VFF		1040920	MG 309 DDM10
687941	MG 5210 VFF		1055598	MG 306 DDCR
689920	MG 309 DDX		1055601	MG 206 FFA
689921	MG 5212 VZZA		1147923	MG 100mm-1
690270	MG 309 DDCT		21 3553	MG 308 FFQA
712034	MG 310 MZ1		21 4063	MG 5208 VFFA
910946	MG 308 FFAB		21 5630	MG 308 DDM
911639	MG 308 FFAC		21 6340	MG 308 DDR-1
911640	MG 308 FFAD		21 7043	MG 206 FFA
912898	MG 206 FFP		GS000054	MG 208 FFH
912899	MG 206 FFU		GS0002501	MG 208 FFH
917003	MG 206 FFU			



Enduro™ Mast Guides OE Interchange

ABI Industries
6505 San Leandro St.
Oakland, CA 94621
Tel: 510 613 8200
Fax: 510 613 8207

KOMATSU

OE Number	Enduro		OE Number	Enduro
300-70-31330	MG 208 FFH		37B-9AA-1330	MG 309 KK14
34A-72-11680	MG 307 KN-1		37B-9AA-1522	MG 308 KK2
34A-72-11880	MG 307 KN-2		37B-9AA-2111	MG 307 KK1
37B-9AA-1110	MG 307 KK1		37B-9AA-2121	MG 307 KK2
37B-9AA-1120	MG 307 KK2		37B-9AA-2130	MG 307 KK3
37B-9AA-1121	MG 307 KK2		37B-9AA-2311	MG 309 KK13
37B-9AA-1130	MG 307 KK3		37B-9AA-2320	MG 309 KK13
37B-9AA-1131	MG 307 KK3		37B-9AA-2321	MG 309 KK13
37B-9AA-1141	MG 308 FFN17		3EB-79-A5220	MG 208 FF8
37B-9AA-1210	MG 308 KK1		3EC-71-A1410	MG 309 DDA
37B-9AA-1220	MG 308 KK2		3EC-71-A1580	MG 308 DDR-1
37B-9AA-1230	MG 308 KK3		3EC-71-A1581	MG 308 DDR-1
37B-9AA-1310	MG 309 KK13		3ED-71-41760	MG 311 KK1
37B-9AA-1312	MG 309 KK13		3ED-71-42570	MG 313 DDA
37B-9AA-1320	MG 309 KK13		3EE-72-21211	MG 70mm-2
37B-9AA-1321	MG 309 KK13		94211-05400	MG 309 DDM4



Enduro™ Mast Guide OE Interchange

ABI Industries
6505 San Leandro St.
Oakland, CA 94621
Tel: 510 613 8200
Fax: 510 613 8207

Linde

OE Number	Enduro		OE Number	Enduro
723759	MG 308 DDL-7		L 000 924 9461	MG 313 DDL1
723760	MG 308 DDL-8		L 000 924 9461 V	MG 313 DDL1
723761	MG 308 DDL-9		L 000 924 9463	MG 313 DDL3
723762	MG 308 DDL-10		L 000 924 9475	MG 308 DDL1
L 000 924 9402	MG 306 DDL11		L 000 924 9476	MG 308 DDL2
L 000 924 9403	MG 306 DDL12		L 000 924 9477	MG 308 DDL3
L 000 924 9412	MG 306/36 DDL16		L 000 924 9480	MG 309 DDL1
L 000 924 9421	MG 306/36 DDL15		L 000 924 9481	MG 309 DDL2
L 000 924 9422	MG 307/34 DDL17		L 000 924 9482	MG 309 DDL3
L 000 924 9424	MG 307/34 DDL18		L 000 924 9512	MG 306 DDL1
L 000 924 9441	MG 306 DDL1		L 000 924 9514	MG 306 DDL4
L 000 924 9442	MG 306 DDL2		L 000 924 9529	MG 306 DDL3
L 000 924 9443	MG 306 DDL4		L 000 924 9533	MG 306 DDL6
L 000 924 9454	MG 308 DDL1		L 000 924 9534	MG 306 DDL7
L 000 924 9455	MG 308 DDL2		L 000 924 9535	MG 306 DDL8
L 000 924 9456	MG 308 DDL3			



Enduro™ Mast Guide OE Interchange

ABI Industries
6505 San Leandro St.
Oakland, CA 94621
Tel: 510 613 8200
Fax: 510 613 8207

MITSUBISHI

OE Number	Enduro		OE Number	Enduro
9401006700	MG 308 DDM2		9444711300	MG 309 KK2
9401006800	MG 308 DDM3		9444711350M	MG 309 KK2
9411001100	MG 308 DDM4		9444701300	MG 309 KK2
9411001200	MG 308 DDM5		9444711400	MG 309 KK3
9411001201	MG 308 DDM5		9444711500	MG 310 KK1
9411107700	MG 308 DDM1		9444711600	MG 310 KK2
9411107800	MG 308 DDM		9444711700	MG 310 KK3
9421000600	MG 309 DDM9		9444711800	MG 312 DDM1
9421000700	MG 309 DDM10		9444711900	MG 312 DDM2
9421000800	MG 309 DDM8		9444712100	MG 312 DDM3
9421105200	MG 309 DDM2		9451004100	MG 85mm-4
9421105300	MG 309 DDM5		9451100200	MG 312 DDM6
9421105400	MG 309 DDM4		9451100100	MG 312 DDM6
9421111800	MG 309 DDQ		9451105500	MG 312 DDM5
9421111900	MG 309 DDM1		9451105600	MG 312 DDM6
9441000600	MG 309 DDM4		9451105700	MG 312 DDM7
9441000700	MG 309 DDM3		9461007600	MG 100mm-3
9441103700	MG 310 DDM1		9461007700	MG 100mm-1
9441103800	MG 310 DDM2		9461001400	MG 100mm-1
9444709500	MG 309 KK4		9461007800	MG 100mm-2
9444711200	MG 309 KK1		9461001700	MG 100mm-2



Enduro™ Mast Guide Brand Interchange

ABI Industries
6505 San Leandro St.
Oakland, CA 94621
Tel: 510 613 8200
Fax: 510 613 8207

Manufacturer Part #	Enduro Part #
BCA	Enduro
CU 7508 TM	MG 308 DDR-1
EX 1189	MG 5208 VFFQU
MG 205 FF	MG 205 FF
MG 206 FFA	MG 206 FFA
MG 206 FFH	MG 206 FFH
MG 206 FFHA	MG 206 FFH
MG 206 FFM	MG 206 FFM
MG 207 FFA	MG 207 FFA
MG 207 FFH	MG 207 FFH
MG 207 FFJ	MG 207 FFJ
MG 207 FFJA	MG 207 FFJA
MG 207 FFJB	MG 207 FFJB
MG 207 FFJC2	MG 207 FFJC
MG 207 FFK	MG 207 FFK
MG 207 FFM	MG 207 FFM
MG 207 FFQ	MG 207 FFQ
MG 207 FFQA	MG 207 FFQA
MG 207 FFQB	MG 207 FFQB
MG 207 FFQH	MG 207 FFQJ
MG 207 FFQJ	MG 207 FFQJ
MG 207 FFQM	MG 207 FFQM
MG 207 FFU	MG 207 FFU
MG 207 FFUA	MG 207 FFU
MG 207 FFUE	MG 207 FFUE
MG 207 FFWA	MG 207 FFWA
MG 208 FFA	MG 208 FFA
MG 208 FFB	MG 208 FFB
MG 208 FFE	MG 208 FFAB
MG 208 FFH	MG 208 FFH
MG 208 FFJ	MG 208 FFJ
MG 208 FFM	MG 208 FFAB
MG 209 DD	MG 209 DD
MG 305 DD	MG 305 DD
MG 305 DDA	MG 305 DDA
MG 305 DDE	MG 305 DDE
MG 306 DD	MG 306 DD
MG 306 DDB	MG 306 DDB
MG 306 FF	MG 306 DD
MG 306 FFB	MG 306 DDB
MG 307 FF	MG 307 FFA
MG 307 FFA	MG 307 FFA
MG 307 FFAB	MG 307 FFAB
MG 307 FFB	MG 307 FFB
MG 307 FFBU	MG 307 FFAB
MG 307 FFG	MG 307 FFN4
MG 307 FFH	MG 307 FF29
MG 307 FFHA	MG 307 FFN4
MG 307 FFK	MG 307 FFK
MG 307 FFKA	MG 307 FFKA
MG 307 FFM	MG 307 FFP
MG 307 FFP	MG 307 FFP
MG 307 FFWA	MG 307 T-13
MG 307 FFWB	MG 307 FFWB
MG 307 FFWB	MG 307 FFWB
MG 307 FFWE	MG 307 FFWU
MG 307 FFWH	MG 307 FFWB
MG 307 FFWH	MG 307 FFWB
MG 307 FFWJ	MG 307 FFWB
MG 307 FFWR	MG 307 FFCL5
MG 307 FFWU	MG 307 FFWU
MG 307 FFZ	MG 307 FFZ
MG 307 LLA	MG 207 FFWA
MG 307 LLB	MG 207 FFWA
MG 307 LLH	MG 207 FFU
MG 308 FFA	MG 308 FFA

BCA



Enduro™ Mast Guide Brand Interchange

ABI Industries
6505 San Leandro St.
Oakland, CA 94621
Tel: 510 613 8200
Fax: 510 613 8207

MG 308 FFAB	MG 308 FFAB
MG 308 FFAC	MG 308 FFAC
MG 308 FFAD	MG 308 FFAD
MG 308 FFB	MG 308 FFB
MG 308 FFE	MG 308 FFE
MG 308 FFH	MG 308 FFH
MG 308 FFK	MG 308 FFK
MG 308 FFKA	MG 308 FF14
MG 308 FFKE	MG 308 FFKE
MG 308 FFM	MG 308 T-12
MG 308 FFMA	MG 308 T-12
MG 308 FFP	MG 308 FFP
MG 308 FFPCN	MG 308 FFAC
MG 308 FFPCN	MG 308 FFP
MG 308 FFQ	MG 308 FFP
MG 308 FFQA	MG 308 FFQA
MG 308 FFU	MG 308 FFU
MG 308 FFUA	MG 308 FFUA
MG 308 FFW	MG 308 FFW
MG 308 FFWB	MG 308 FFW
MG 309 CCA	MG 309 DDM1
MG 309 DDE	MG 309 DDE
MG 310 FFA	MG 310 FFA
MG 311 FF	MG 311 FF
MG 311 FFA	MG 311 FFA
MG 311 ZZ	MG 311 FF
MG 311 ZZA	MG 311 FFA
MG 5208 VFF	MG 5208 VFF
MG 5208 VFFA	MG 5208 VFFA
MG 5208 VFFE	MG 5208 VFFE
MG 5208 VFFPA	MG 5208 VFFPA
MG 5208 VFFPB	MG 5208 VFFPB
MG 5208 VFFQ	MG 5208 VFFQ
MG 5208 VFFQA	MG 5208 VFFQA
MG 5208 VFFQB	MG 5208 VFFQB
MG 5208 VFFQQ	MG 5208 VFFQQ
MG 5208 VFFQU	MG 5208 VFFQU
MG 5210 VFF	MG 5210 VFF
MG 5211 VFFA	MG 5211 VFFA
MG 5211 VFFB	MG 5211 VFFB
MG 5211 VR	MG 5211 VR
MG 5213 VFF	MG 5213 VFF-G
MG 5311 VFFA	MG 5311 VFFA-G
MG 5311 VZZA	MG 5311 VFFA-G
TMG 2250 A LE	MG 205-1E
TMG 2250 ADF	MG 205-1E

BCA

RBC	Enduro
1-SE-6618	MG 310 RB-1
1SE 5351-4	MG 77.5-1
74812-10	MG 310 MZ1
T-74711	MG 77.5-1
T-74779-11	MG 92mm-1
T-74794-11	MG 209 DD
T-74794-15	MG 209 DD-R
T-74879	MG 306 DDCR
T-74924	MG 309 DDA
T-74924-10	MG 309 DDA-R
T-74947-10	MG 76mm-1
T-74966	MG 311 FFA-R
T-74970	MG 305 DDR
T-74995	MG 310 RB-1
T-74995-10	MG 310 RB-2
T-74996	MG 309 DDS-1
T-74996-16	MG 309 DDS-1
T-74997	MG 308 DDR-1
T-75291	MG 55mm-2
T-75347	MG 72mm-1
T-75849	MG 308 R42
V-75291	MG 55mm-2

RBC

McGill	Enduro
---------------	---------------



Enduro™ Mast Guide Brand Interchange

ABI Industries
6505 San Leandro St.
Oakland, CA 94621
Tel: 510 613 8200
Fax: 510 613 8207

McGill

BB 1747	MG 308 FFA
BB 2038-1	MG 307 FF29
BB-1084	MG 208 FFA
BB-1551-4	MG 207 FFH
BB-1649-3	MG 311 FF7
BB-1705	MG 207 FFH
BB-1770-5	MG 5311 VFFA-G
BB-2082	MG 5208 VFFQH
BR-382-13	MG 55mm-2
BR-382-8	MG 55mm-2
BR-383-13	MG 5211 VR
BR-383-2	MG 72mm-1
BR-649	MG 310 RB-1
BR-693	MG 306 DDCR
BR-778	MG 310 RB-2
BR-814	MG 77.5-1

HIC/ Koyo	Enduro
83111	MG 308 T-15
83522	MG 308 FFP
83523	MG 308 FFQA
83544	MG 307 T-13
83862	MG 307 FF29
830044	MG 305 DDY
60 BCS 6	MG 312 DDM5
6DP 50MC	MG 212 DDA
70026A	MG 305 DDTY
70026B	MG 305 DDTY
70077V	MG 305 DDH
80990 VC8	MG 309 DDM4
83 461A	MG 305 DDE
83 476A	MG 305 DDE
83 825C	MG 205 FF
83 927 BS CS33	MG 310 DDT2
83 927 BS-CS33	MG 310 DDT6
830060-5B	MG 208 FF8
830065-IBI	MG 308 T-18
830087F	MG 312 DDM5
83189 ACS	MG 312 DDM5
83189C-CS28	MG 312 DDX
83189K	MG 312 DDM5
83461-ACS57	MG 305 DDE
83521 P	MG 308 FF14
83522 B4	MG 308 FFK
83522 P	MG 308 FFK
83522 PL	MG 308 FFKE
83540 E	MG 309 DDM10
83542-K	MG 307 FFWB
83543 E	MG 307 FFWB
83543 KB-1	MG 307 FFWU
83543 KE	MG 307 FFWB
83543 P	MG 307 FFWU
83544 P	MG 307 FFKA
83544 P MA	MG 307 FFKA
83575C 88	MG 309 DDT3
83578 CB S	MG 309 DDT3
83926 A8M	MG 307 FFTA
83926 BS-CS28	MG 307 FFTA
83926 GBS	MG 307 FFTA
83A 046 AFC3	MG 75mm-1
83A 049 GB-S	MG 309 DDN7
83A 049 GF-1	MG 309 DDN7
83A 049GB-L	MG 309 DDT6
83A 049GB-M	MG 309 DDT5
83A 066 BB	MG 309 DDM10
83A 167 3G	MG 311 DDTY
83A 167 DC3	MG 311 DDTY
83A 167 H	MG 311 FFN
83A 167 NBL C3	MG 311 KK1
83A 167AC3	MG 311 FFN
83A 419BM	MG 310 DDN1
83A 419BS	MG 310 DDN1

HIC/ Koyo



Enduro™ Mast Guide Brand Interchange

ABI Industries
6505 San Leandro St.
Oakland, CA 94621
Tel: 510 613 8200
Fax: 510 613 8207

83A 419BX1S	MG 310 DDN1
83A 684BIM	MG 310 DDT6
83A 684BIS	MG 310 DDT5
83A 712	MG 305 DDTY
83A 737C	MG 5209 VFFA
83A 822B-X1	MG 310 NN7
83A 839A BC562	MG 212 DDA
83A 862CS-58	MG 307 FF29
83A 862L	MG 307 FF29
83A 863 C5 58	MG 307 FF29
83A 944 BOS 42	MG 313 DDT
83A 944 CB C3	MG 313 DDA
83B 089 B	MG 308 FFN1
83B 089 BLA	MG 308 FFN16
83B 089 BM	MG 308 FFN16
83B 089 BMA	MG 308 FFN2
83B 089 BMB	MG 308 FFN3
83B 437ABS	MG 307 KK1
83B 438 ABM	MG 308 KK3
83B 439BS	MG 309 KK13
83B 656 C3	MG 311 FF
83B 823 B6	MG 305 DDZ
83B 933A	MG 208 FFJ
83B 933D	MG 208 FFH
83C 285 B1	MG 308 T-21
83C 285 BI	MG 308 FFV
83C 301AB2	MG 307 FFAB
83C 301DB2	MG 307 FFAB
83C 399 A	MG 207 FFU
83C 400 A	MG 207 FFVA
83D 933D	MG 208 FFH
89C 402	MG 205-1E
DDG 5140 A	MG 207 FFA
DG 3595	MG 307 FFWB
DG 3597GB	MG 307 FFN8
LR307 AB19 L	MG 307 FFTT-L
LR307 AB19 M	MG 307 FFTT
LR307AB19	MG 307 FFTT-S
SB 091134RS	MG 309 DDQ
SB 0911A	MG 309 DDJ
SB 091234 CB-1	MG 309 T9
SB 091238 AB1	MG 309 T14

INA	Enduro
35569	MG 207 FFJ
37340	MG 310 FFA
37713	MG 5208 VFFQH
121614.1	MG 207 FFJA
121614.2	MG 207 FFJB
121614.3	MG 207 FFJC
121615.1	MG 207 FFQA
121926.1	MG 207 FFU
121926.2	MG 207 FFUE
121927.1	MG 207 FFQM
122312	MG 207 FFU
122312.1	MG 207 FFU
122313.1	MG 207 FFUE
CU 2815	MG 307 FFCL5
F 203177	MG 28mm-1
F 219682	MG 306 DDL1
F 219879.61	MG 309 DDL3
F 234903.2	MG 309 DDL3
F-559774	MG 307 DDL-7
F-87163	MG 127mm-1
FC 67047	MG 310 FFA
FC 67169	MG 208 FFH
FC 67170	MG 208 FFJ
HULR 5208-KRRU-AH01	MG 308 DDL1
HULR 65/135-2RS	MG 313 DDL1
HULR45/106-KRRU-AH01	MG 309 DDL1
HUTR 332 864	MG 306 DDL1
LR 5205 KDDU	MG 305 DDTY

HIC/ Koyo

INA



Enduro™ Mast Guide Brand Interchange

ABI Industries
6505 San Leandro St.
Oakland, CA 94621
Tel: 510 613 8200
Fax: 510 613 8207

RLQ 3582 V 2RSR AH04	MG 207 FFWB
RLQ 3592 V 2RSR AH01	MG 207 FFU
RLQ 3592 V 2RSR AH04	MG 207 FFUE
VH35569A	MG 207 FFH
SKF	Enduro
362480	MG 308 FFA
TRBR 206 2RS1 VO6	MG 206 FFM
TRBR 209 2RS1/V04	MG 208 FFH
TRBR 209 2RS1/VO1	MG 208 FFH
TRBR 209 2RS1/VO2	MG 208 FFJ
TRBR 307 2RS1/V28	MG 307 FFA
TRBR 307 2RS1/V29	MG 307 FF29
TRBR 307 2RS1/V40	MG 307 FFA
TRBR 308 2RS1/V20	MG 308 FFC20
TRBR 308 2RS1/V17	MG 308 FFE
TRBR 308 2RS1/V27	MG 307 FF29
TRBR 309 2RS1/V05	MG 309 V5
TRBR 309 2RS1/V20	MG 309 DDA
TRBS 308 2RS1/ VO3	MG 308 FFAC
TRBT 208 2RS1/V03	MG 208 FFAB
TRBT 208 2RS1/VO2	MG 208 FFA
TRBT 208 2RS1/VO7	MG 206 FFA
TRBT 308 2RS1/V01	MG 308 FFB
NTN	Enduro
2B-SX 09B09LLUPX1	MG 309 DDM6
7B-SX07A44	MG 307 FF29
7B-SX07A47	MG 307 FFN-14
7B-SX07A50	MG 307 FFN-9
7B-SX07B17	MG 307 FFN5
7C SX 0884	MG 308 FFP
7C2-SX07812	MG 307 FFN 13
7C2-SX07820	MG 307 FFN2
7C2-SX07A44	MG 307 FFN4
7C2-SX07A47	MG 307 FFN-14
7C2-SX07A53	MG 307 FFN1
7C2-SX07A76	MG 307 FFN 13
7C2-SX07A76;	MG 307 FFN1
7C2-SX07B14	MG 307 FFN17
7C2-SX07B15	MG 307 FFN18
7C2-SX07B16	MG 307 FFN6
7C2 SX 07B17	MG 307 FFN5
7C2 SX 07B18	MG 307 FFN-9
7E CRG 70x129x40	MG 70mm-4
7E CRG 65x115x36-3	MG 65mm-2
7E SX 07A44	MG 307 FFN4
7E SX 07B14	MG 307 FFN8
7E SX 07B17	MG 307 FFN5
7E SX 07B19 LLU C3 PX1/8A	MG 307 FFN-10
7E SX 07B21	MG 307 FFN3
7E SX 1061 PX1	MG 310 RB-1
7E SX 1158 PX1	MG 311 FFTA
8-SX 08892 CS125	MG 308 DDM1
B SX 07033 (M)	MG 307 KK2
B SX 08B77 LLU	MG 308 DDM1
B SX 09808	MG 309 DDM5
B SX 09811	MG 309 KK13
B SX 09 A86	MG 309 DDM1
B SX 08877 CS 125	MG 308 DDM
B SX 08878 CS 125	MG 308 DDM
B SX 08892 CS 125	MG 308 DDM2
B SX 08893 CS 125	MG 308 DDM3
N SX 0859	MG 308 DDM5
N SX 096 DPX1	MG 309 DDM9
R 1537 VLLU PX1	MG 76mm-1
SX 0730 LLPX1	MG 207 FFA
SX 0731 LL	MG 207 FFA
SX 07 A25 PX2	MG 207 FFA
SX 08C38	MG 308 FFW
SX 0859 PX1	MG 308 DDM
SX 0863	MG 308 DDM
SX 0863	MG 308 DDM4

INA

SKF

NTN



Enduro™ Mast Guide Brand Interchange

ABI Industries
6505 San Leandro St.
Oakland, CA 94621
Tel: 510 613 8200
Fax: 510 613 8207

SX 0933 LL PX1	MG 209 DD
SX 0936 C3 PX1	MG 309 KK3
SX 0951	MG 309 DDM9
SX 0954 LL	MG 209 DD
SX 0960	MG 309 DDM10
SX 0961	MG 309 DDM9
SX 0964 PX1	MG 309 DDM3
SX 0965 PX1	MG 309 DDM4
SX 0975 LLPX2	MG 209 DD
SX 0976 LLPX1	MG 209 DD
SX 0976 LLPX2/2A	MG 209 DD
SX 0978 LLPX1	MG 209 DD
SX 0980	MG 309 DDM8
SX 09 A44	MG 209 DD
SX 09 A52 L197U	MG 209 DD
SX 09 A52 LU	MG 209 DD
SX 09 A63 LU	MG 209 DD
SX 09 A85	MG 309 DDM2
SX 09 A99	MG 309 KK2
SX 1056 SPX1	MG 310 DDM1
SX 1058 PX1	MG 310 DDM1
SX 1099 CS13 PX1	MG 310 DDM2
SX 10 A27 LLU CS13 PX1	MG 310 KK2
SX 1256 L	MG 212 DDA
SX 1276 LUL PX1	MG 212 DDA
SX 1276 PX1	MG 212 DDA
SX 1290	MG 312 DDM1
SX 1291	MG 312 DDM2
SX 1292	MG 312 DDM3
SX 1751	MG 85mm-4
SX 2052 PX1	MG 100mm-1
SX 2054	MG 100mm-2
SX 2057	MG 100mm-1
SX 1054	MG 310 DDT2
SX 10 A01 CS13 PX1	MG 310 DDM1
SX 10 A28	MG 310 KK1
SX 1257 LUL PX1/2A	MG 212 DDA
NSK	Enduro
35B FM 1002L	MG 307 KK3
35B FM 1002M	MG 307 KK2
35B FM 1002S	MG 307 KK1
40B FM 9501	MG 208 FFH
45B FM 1204	MG 309 KK13
45B FM 1204S	MG 309 KK13
70 BFM 2001	MG 70mm-2
B25 166Q	MG 205 FFX
B35 105M	MG 307 KK2
B35 105S	MG 307 KK1
B35 112L	MG 307 KN-2
B35 112S	MG 307 KN-1
B40 123L	MG 308 KK3
B40 123M	MG 308 KK2
B40 123S	MG 308 KK1
B40 62	MG 208 FFH
B40 82	MG 208 FFH
B40 97M	MG 308 FFUB
B45 70M	MG 309 KK14
B45 70S	MG 309 KK13
X376RS	MG 307 FF29
X421RS	MG 305 DD
X501RS	MG 309 DDA
X549RS	MG 307 FFK
Meter	Enduro
CU 2808	MG 208 FFA
CU 2810	MG 206 FFA
CU 3136	MG 309 DDE
CU 3200	MG 208 FF8
CU 3205	MG 208 FFAB
CU 3881	MG 5211 VFFA
FL 2528	MG 5211 VFFA
GU 2809	MG 206 FFM

NTN

NSK

Meter



Enduro™ Mast Guide Brand Interchange

ABI Industries
6505 San Leandro St.
Oakland, CA 94621
Tel: 510 613 8200
Fax: 510 613 8207

MRC	Enduro
206 SZZ16	MG 206 FFE
207 MZZ1	MG 207 FFA
208 SZZ15	MG 207 FFH
209 MZZ1	MG 209 DD
210 MZZ1	MG 310 MZ1
305 SZZ3	MG 305 DD
305 SZZ6	MG 305 DDA
306 SZZ5	MG 206 FFPA
307 MZZ2	MG 307 DD-13
307 SZZ11	MG 307 FFCL5
307 SZZ10	MG 307 FF29
307 SZZ14	MG 307 FFP
307 SZZ9	MG 307 FFK
308 SZZ10/0001	MG 308 FFB
308 SZZ6/0009	MG 308 FFE
309 SZZ4	MG 309 DDA
311 SZZ5	MG 311 FF8
311 SZZ1	MG 311 FF7
311 SZZ2	MG 311 FF
5206 BKFF1	MG 5206 AC-1
5208 BTZ1	MG 5208 VFF
5210 BZZ1	MG 310 RB-1
5211 BZZ1	MG 5211 VR
5211 BZZ2	MG 5211 VFFA

MRC