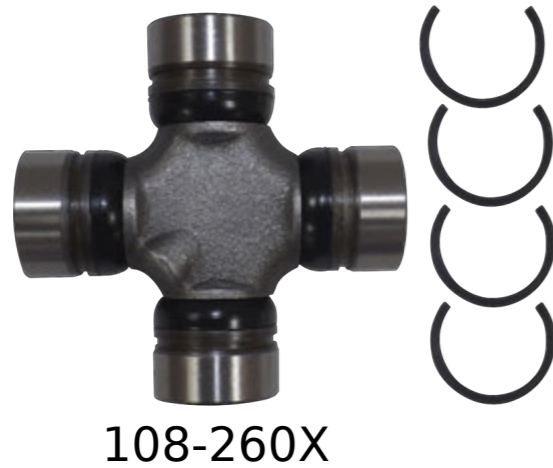
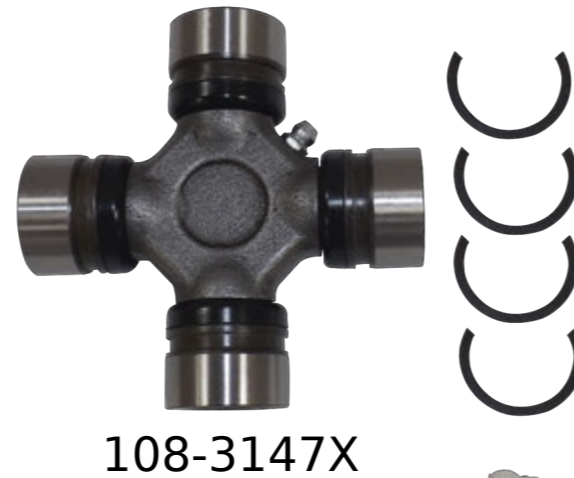
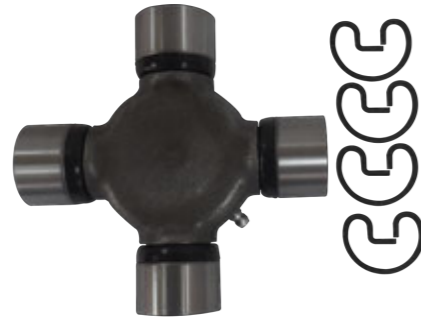


Transmission Parts Partes de Transmisión

Heavy Truck & Trailer Parts



KTC No.	D(mm)	O(mm)	REPLACES			
			GKN®	GMB®	PRECISION®	SPICER®
108-100X	25.40	39.50	-	G5-100X	514	5-100X
108-103X	23.83	35.00	HS-410	G5-103X	338	5-103X
108-1200X	27.00	57.40	-	G5-1200X	429	5-1200X
108-1201X	27/28.6	55.50	-	G5-1201X	430	5-1201X
108-1203X	27.00	67.60	-	G5-1203X	433	5-1203X
108-1206X	30.19	76.28	-	G5-1206X	427	5-1206X
108-12213X	38.00	57.20	-	GU-7300	-	5-12213X
108-1301X	31.30	71.50	-	G5-1301X	304	5-1301X
108-1306X	27.40	50.80	HS-442	G5-1306X	315G	5-1306X
108-1306X-1	27.40	50.80	HS-442	G5-1306X-1	317	5-1306X-1
108-1309X	28.60	63.96	-	G5-1309X	316	5-1309X
108-1501X	25.02	40.00	HS-420	GUN-27	391	5-1501X
108-1502X	26.00	41.76	HS-432	GUT-13	394	5-1502X
108-1505X	28.02	52.90	HS-448	GUN-29	393	5-1505X
108-1506X	38.00	57.20	HS-480	GU-7300	463	5-1506X
108-1508X	26.03	53.64	HS-436	GUT-12	390	5-1508X
108-1510X	29.00	49.00	HS-454	GUT-17	387	5-1510X
108-1511X	32.00	61.00	HS-470	GUT-20	389	5-1511X
108-170X	23.83	34.85	HS-410	G5-170X	338	5-170X
108-260X	27.00	52.50	-	G5-260X	365	5-260X
108-273X	27.00	67.60	-	G5-273X	433	5-273X
108-297X	30.20	52.50	HS-457	G5-297X	371	5-297X
108-297X-1	30.20	52.50	-	G5-297X	377	5-297X-1
108-3011X	28.60	59.50	HS-453	-	492	5-3011X
108-3147X	28.60	60.20	HS-451	GU6370	534G	5-3147X
108-74X	27.00	52.40	HS-441	G5-74X	356	5-74X
108-92X	24.60	34.36	-	-	861	5-92X
108-GU2500	31.25	46.00	-	GU2500	-	5-1300X



108-155X



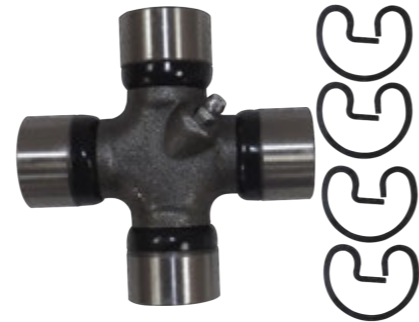
108-160X



108-188X



108-153X

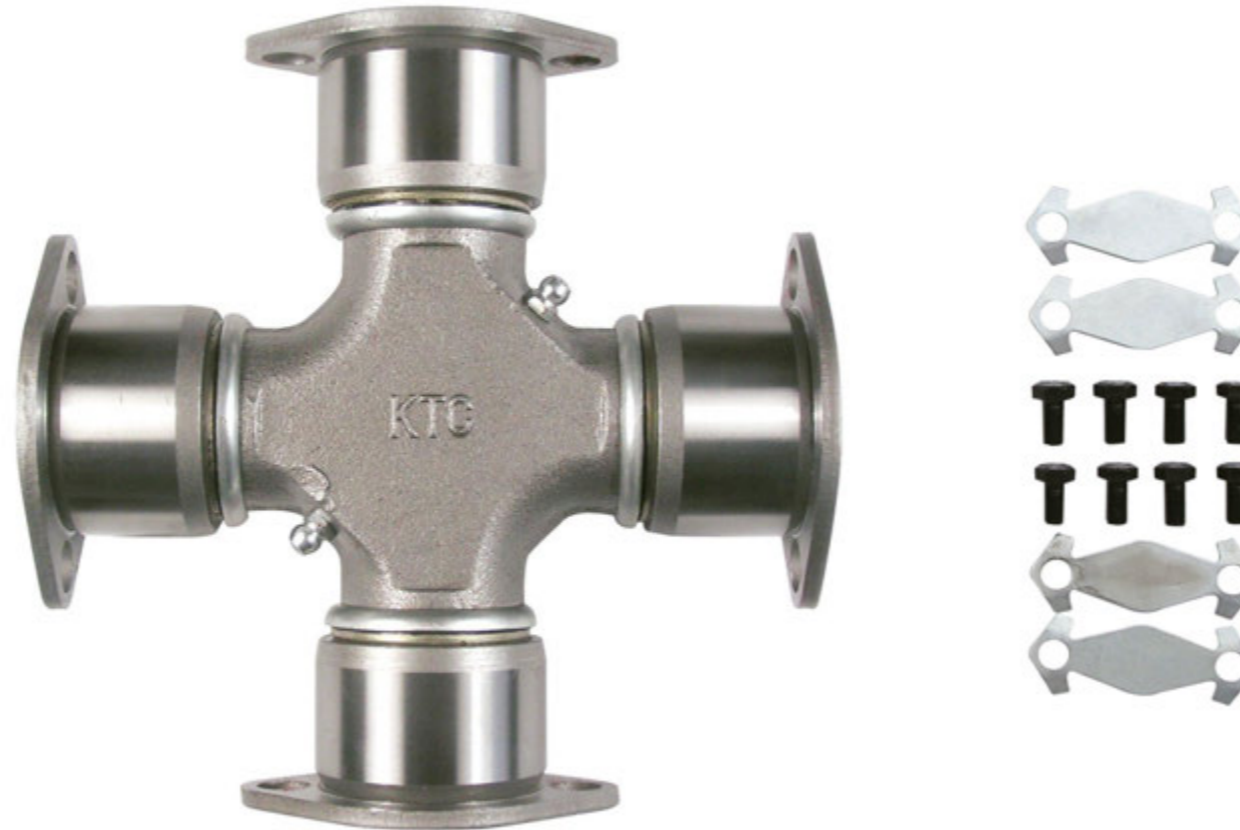


108-178X

KTC No.	D(mm)	O(mm)	L(mm)	REPLACES			
				GKN®	GMB®	PRECISION®	SPICER®
108-10X	30.19	-	106.35	HS179	GU2050	330	5-10X
108-101X	23.82	-	61.30	HS150	GU400	340	5-101X
108-111X	23.82	-	61.30	HS194	GU500	341	5-111X
108-113X	27.00	-	81.78	HS166	G5-113X	369	5-113X
108-1204X	27/28.6	-	67.6/91.9	-	-	434	5-1204X
108-12062X	48.05	161	-	HS268	-	-	5-12062X
108-121X	27.00	-	81.75	-	G5-121X	369	5-121X
108-12100X	45.00	-	120.40	HS260	GU7530	-	5-12100X
108-12219X	48.05	-	125.80	HS272	GU7620	-	5-12219X
108-12276X	44.10	-	149.00	-	-	-	5-12276X
108-12278X	50.00	-	164.00	-	-	-	5-12278X
108-12924X	52.10	-	133.00	HS282	GU7560	-	5-12924X
108-12932X	57.00	-	152.00	HS289	GU7630	-	5-12932X
108-13400X	23.82	-	61.20	-	-	-	5-111X
108-134X	27.00	-	92/81.7	-	G5-134X	353	5-134X
108-1509X	28.52	-	77.70	HS172	GUT14	396	5-1509X
108-153X	27.00	-	81.78	HS166	GU1000	369	5-153X
108-155X	34.93	-	126.22	HS275	G5-155X	358	5-155X
108-160X	30.19	-	106.35	HS179	GU2050	330	5-160X
108-165X	41.24	-	142.00	HS252	G5-165X	359	5-165X
108-178X	30.19	-	92.08	HS182	GU2200	331	5-178X
108-188X	34.93	-	106.31	HS263	GU2300	351	5-188X
108-200X	27.00	-	81.78	HS166	G5-200X	329	5-200X
108-212X	27.02/28.6	60.2	92.00	-	G5-212X	355	5-212X
108-213X	27.020	-	92.00	-	G5-213X	354	5-213X
108-243X	-	-	-	-	-	964	5-243X
108-251X	27.00	-	81.75	HS166	G5-251X	369	5-251X
108-263X	34.93	-	106.31	HS263	G5-263X	351	5-263X
108-275X	34.93	-	126.22	HS275	G5-275X	358	5-275X
108-3022X	27/28.6	60.2	81.78	-	-	372	5-3022X
108-353X	27/27.4	50.8	81.8	-	G5-353X	319	5-353X
108-443X	27.01	-	61.95	-	G5-443X	437	5-443X
108-4X	27.01	-	74.60	HS195	GU1100	344	5-4X



FIG.	KTC No.	SPICER	U-JOINT
1	108KIT279X	98-741 & 5-73-109	108279X-1 1610 Series
1	108KIT280X	98-741 & 6-73-109	108280X-1, 108407X-1, 108281X-1 1710/1760/1810 Series
2	108KIT674X	5-70-28X	108674X-1 1610 Series
2	108KIT676X	6.5-70-18X	108675X-1, 108676X-1, 108676X-1 1710/1760/1810 Series
3	108KITSPL170X		108SPL170X SPL170X
3	108KITSPL250X	12-73-125	108SPL250X SPL250X



KTC No.	D	L	REPLACES					
			ALLOY®	GKN®	PRECISION®	PAI®	ROCKWELL®	SPICER®
108-279X-1	47,62	134,8	1807	HS-336	333	J UJ -6880	CP16NS	5-279X
108-280X-1	49,20	154,9	1802	HS-337	334	J UJ -6910	CP17NS	5-280X
108-281X-1	49,20	191,9	1810	HS-334	381	J UJ -6930	CP18NS	5-281X
108-407X-1	49,20	178,0	1808	HS-338	376	J UJ -6915	CP176NS	5-407X

All manufacturers names (ALLOY®, GKN®, PAI®, PRECISION®, SPICER®), numbers, symbols and descriptions are references purposes only. And it is not implied any parts is that of these manufacturers. All efforts have been made to ensure that the information contained here in is correct. KTC Group Equipment & Parts L.L.C can't be held responsible for its accuracy.

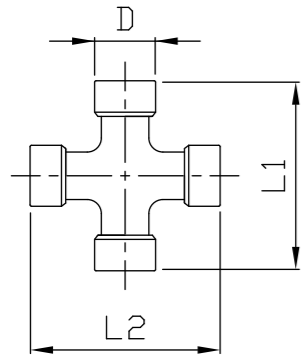
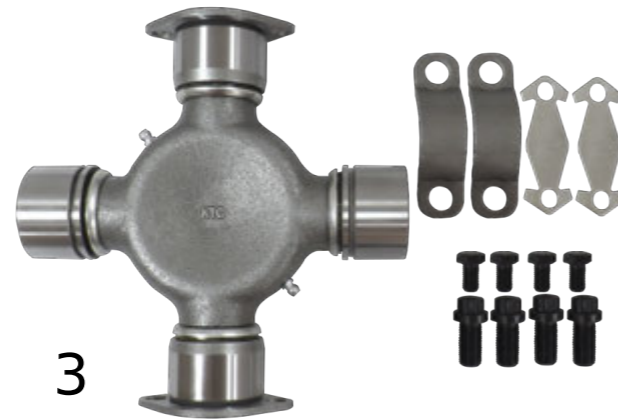
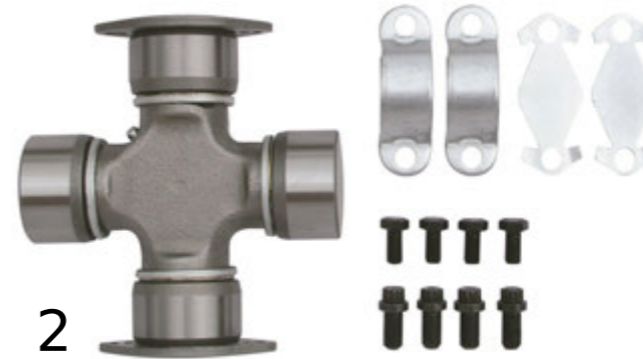


Fig.	KTC No.	D	L1	L2	REPLACES					
					(mm)			NEAPCO®	PRECISION®	PAI®
1	108-674X	47.62	135.00	135.00	4-2791	475	J UJ -6884	CP16SI	5-674X	5-438X
2	108-675X	49.20	154.70	157.10	5-2801	476	J UJ -6913	CP17SI	5-675X	5-515X
3	108-676X	49.20	191.69	194.00	6-2811	478	J UJ -6937	CP18SI	5-676X	5-510X
4	108-677X	49.20	177.98	179.98	6-4071	477	J UJ -6917	CP176SI	5-677X	5-469X

All manufacturers names (ALLOY®, GKN®, PAI®, PRECISION®, SPICER®), numbers, symbols and descriptions are references purposes only. And it is not implied any parts is that of these manufacturers. All efforts have been made to ensure that the information contained here in is correct. KTC Group Equipment & Parts L.L.C can't be held responsible for its accuracy.

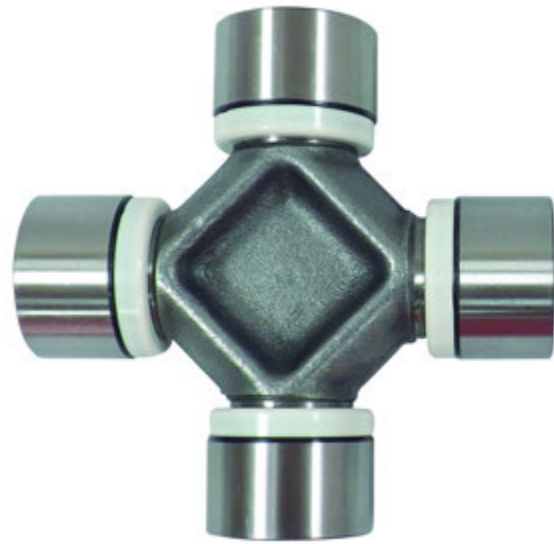
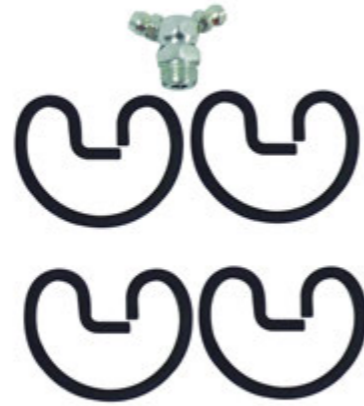
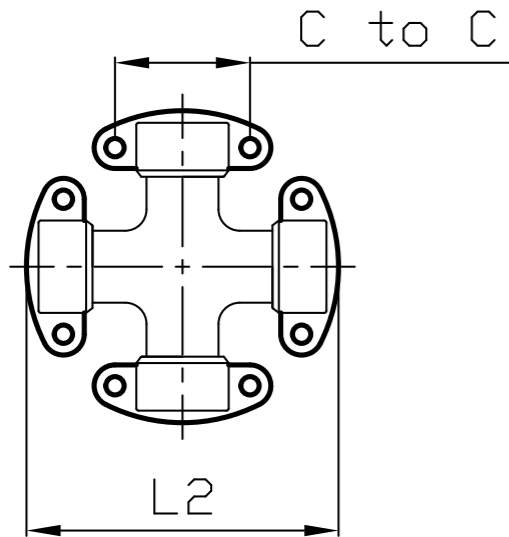
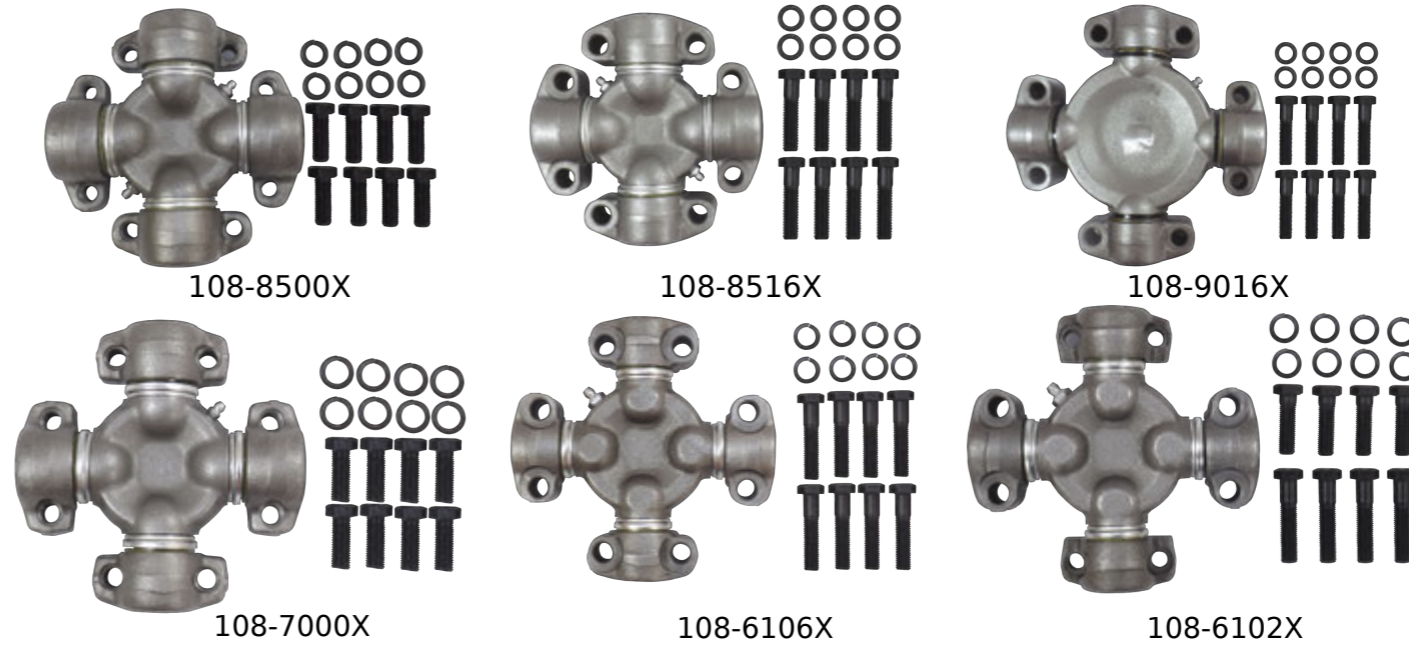
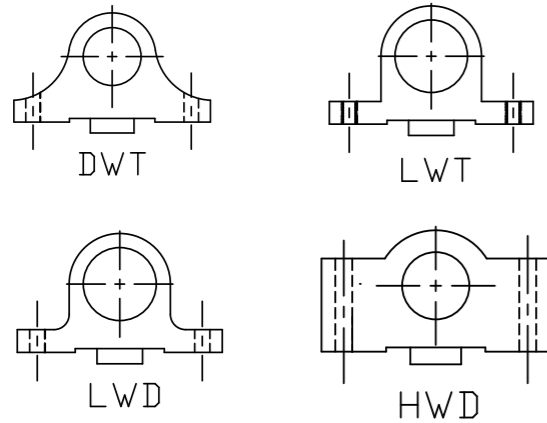

1

4

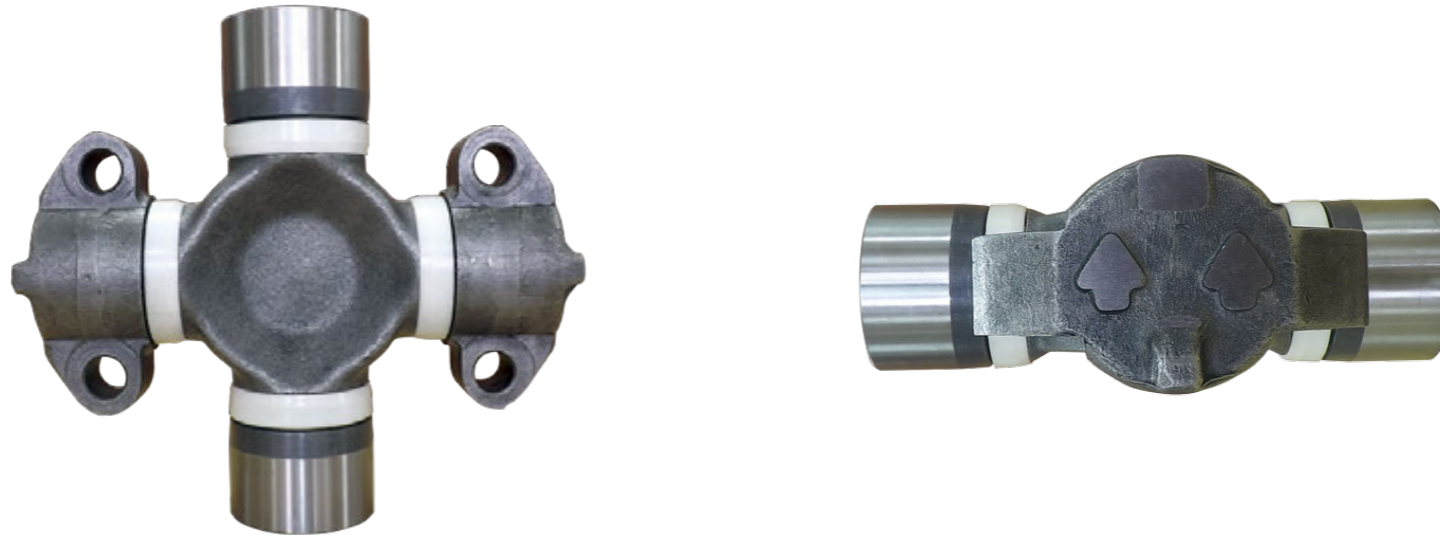

FIG.	KTC No.	D (mm)	L	REPLACES						
				FREIGHTLINER®	MACK®	NAVISTAR®	PAI®	PRECISION®	SPICER®	VOLVO®
1	108-SPL90X	41,28	126	SPL90X	2104SPL90X	1681117C91	J UJ -6973	460	SPL-90-1X	-
2	108-SPL140X	49,22	139	SPL140X	2104SPL140	-	-	-	SPL-140X	-
3	108-SPL170X	55,02	164	SPL170X	2104SPL170X	2500678C91	J UJ -6976	-	SPL-170X	3947697
4	108-SPL250X	60.00	163	SPL250X	2104SPL250X	2500680C91	J UJ -6978	-	SPL-250X	3947698

All manufacturers names (FREIGHTLINER®, MACK®, NAVISTAR®, PAI®, PRECISION®, SPICER®, VOLVO®), numbers, symbols and descriptions are references purposes only. And it is not implied any parts is that of these manufacturers. All efforts have been made to ensure that the information contained here in is correct. KTC Group Equipment & Parts L.L.C can't be held responsible for its accuracy.



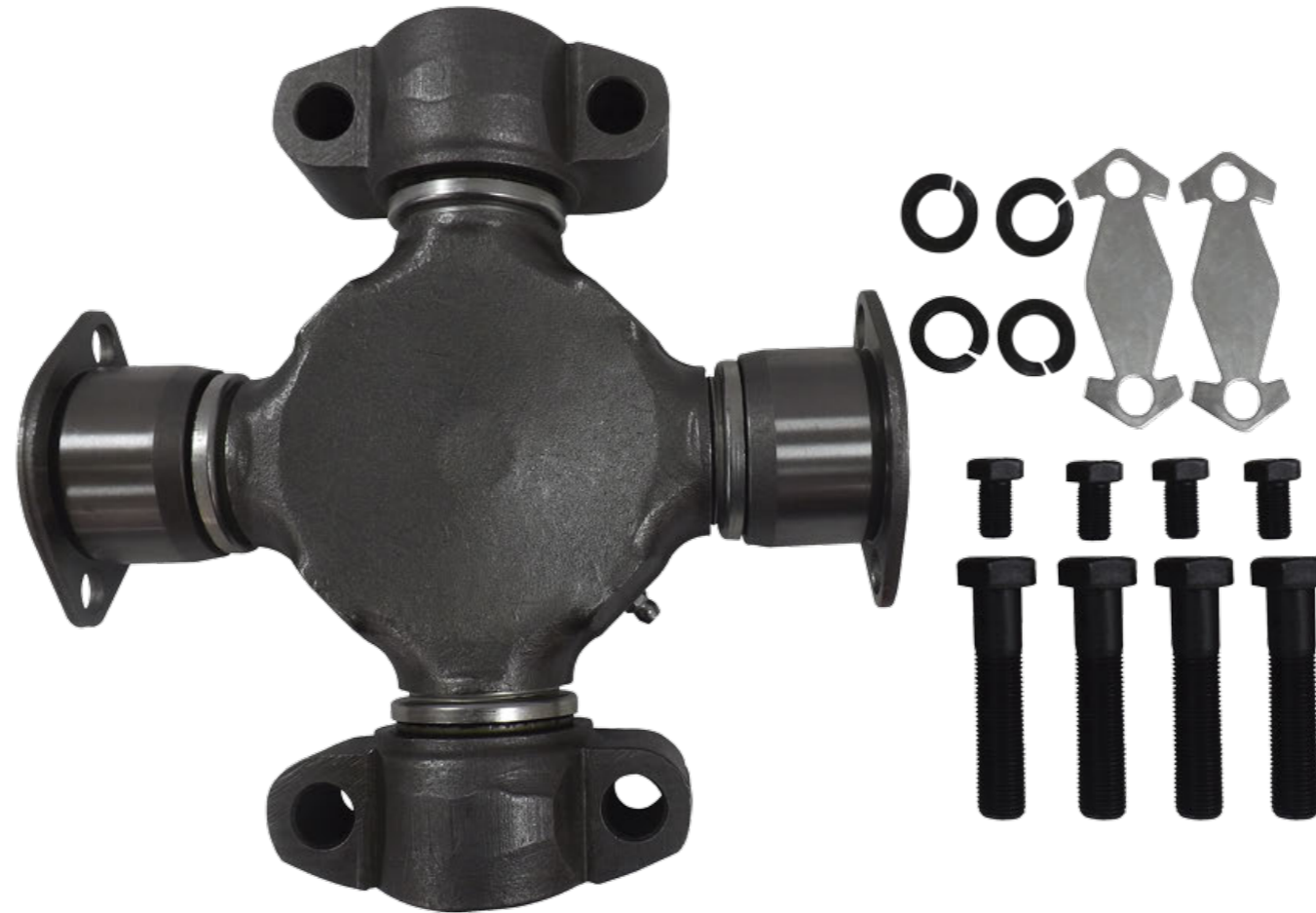
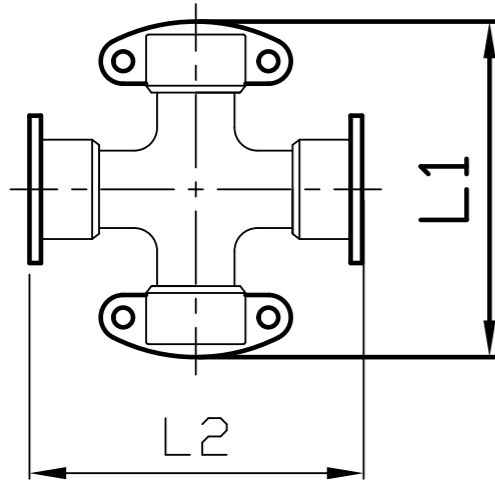
U-JOINT WITH 4 WING BEARINGS								
KTC No.	CtoC	L	TYPE	REPLACES				
				ALLOY®	CATERPILLAR®	GKN®	PRECISION®	SPICER®
1082031X	-	-	2LWT	-	203765	-	-	-
1082116X	33,34	79,00	2LWT,2LWD	1063	6S6902	HS522	952	5-2116X
1082117X	33,34	79,00	4LWD	-	316117	HS521	994	-
1084143X	36,50	108,00	4HWD	1689	6K0316	HS545	969	5-4143X
1085000X	-	-	4LWT	-	943235	-	550	-
1085177X	42,88	115,06	4HWD	1728	2K3631	HS555	968	5-5177X
1086000X	42,88	140,45	4LWT	1820	-	HS560	560	5-6000X
1086102X	42,88	140,45	2LWT, 2HWD	1822	-	HS563	563	5-6102X
1086106X	42,70	140,20	4HWD	1826	IS9670	HS565	905	5-6106X
1087000X	49,20	148,40	4LWT	1841	8F7719	HS570	570	5-7000X
1087105X	-	-	4HWD	-	-	-	927	-
1088500X	71,60	165,00	4LWT	-	7K0442	HS680	785	5-8500X
1088516X	71,80	165,00	4HWD	-	2V7153	HS685	963	5-8516X
1089016X	71,44	209,62	4HWD	1868	9V7710	HS595	911	5-9016X

All manufacturers names (FREIGHTLINER®, MACK®, NAVISTAR®, PAI®, PRECISION®, SPICER®, VOLVO®), numbers, symbols and descriptions are references purposes only. And it is not implied any parts is that of these manufacturers. All efforts have been made to ensure that the information contained here in is correct. KTC Group Equipment & Parts L.L.C can't be held responsible for its accuracy.



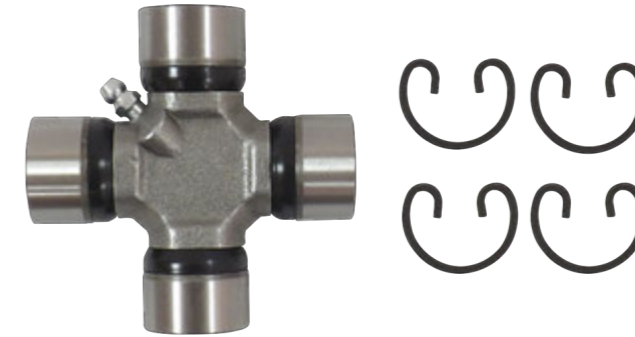
U-JOINT WITH 2 WING BEARINGS AND 2 GROOVED OR 2 PLAIN ROUND BEARINGS								
KTC No.	CtoC	L1/L2	TYPE	REPLACES				
				ALLOY®	CATERPILLAR®	MERITOR®	PRECISION®	SPICER®
108-221X	34.92/42.8	126/140.4	2HWD,2RND	-	5Y0154	-	470	5-221X
108-CP20RPLS	71.36	174.75	2LWT, 2RND	-	-	CP20RPLS	-	-
108-CP25RPLS	-	208.28	2LWT, 2RND	-	-	CP25RPLS	-	-

All manufacturers names (CATERPILLAR®,MERITOR®, PRECISION®, SPICER®.), numbers, symbols and descriptions are references purposes only. And it is not implied any parts is that of these manufacturers. All efforts have been made to ensure that the information contained here in is correct. KTC Group Equipment & Parts L.L.C can't be held responsible for its accuracy.



KTC No.	CtoC	L1 / L2	REPLACES				BEARING QUANTITY AND TYPE
			GKN®	PRECISION®	ROCKWELL®	SPICER®	
108-324X	49.22 / 71.45	191.69 / 209.55	HS794	480	CP18N96	5-324X	2HWD 2RND
108-326X	55.55 / 71.45	205.59 / 209.55	HS798	488	-	5-326X	2HWD 2RND

All manufacturers names (GKN®, PRECISION®, ROCKWELL®, SPICER®), numbers, symbols and descriptions are references purposes only. And it is not implied any parts is that of these manufacturers. All efforts have been made to ensure that the information contained here in is correct. KTC Group Equipment & Parts L.L.C can't be held responsible for its accuracy.



KTC No.	D	L	REPLACES				
			GMB®	GKN®	KOYO®	MATSUBA®	OEM
108GU3810	50	152,6	GU-3810	HS-381	-	-	-

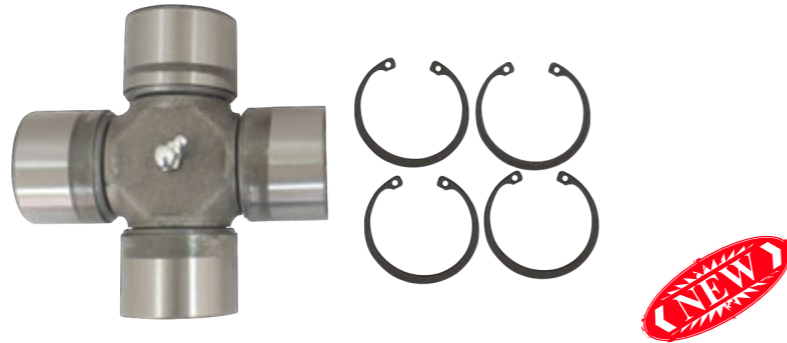
KTC No.	D	L	REPLACES				
			GMB®	GKN®	KOYO®	MATSUBA®	OEM
108GUK12	27	80	GUK-12	-	-	UJ-418	49140-43001



KTC No.	D	L	REPLACES				
			GMB®	GKN®	KOYO®	MATSUBA®	OEM
108GUN29	28,02	52,9	GUN-29	-	N2880BA	-	37126-C9425

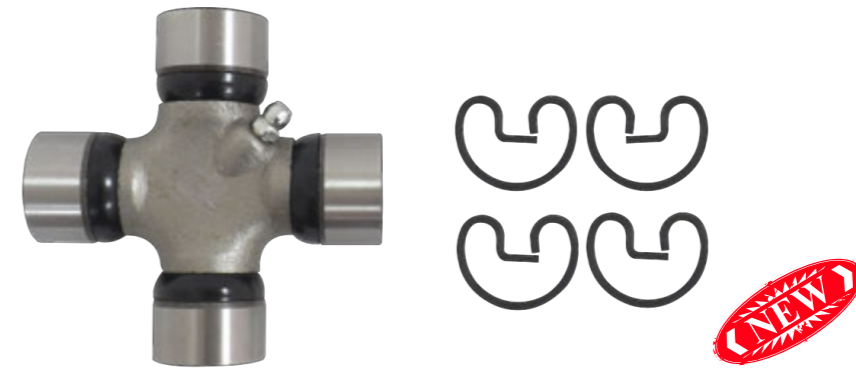
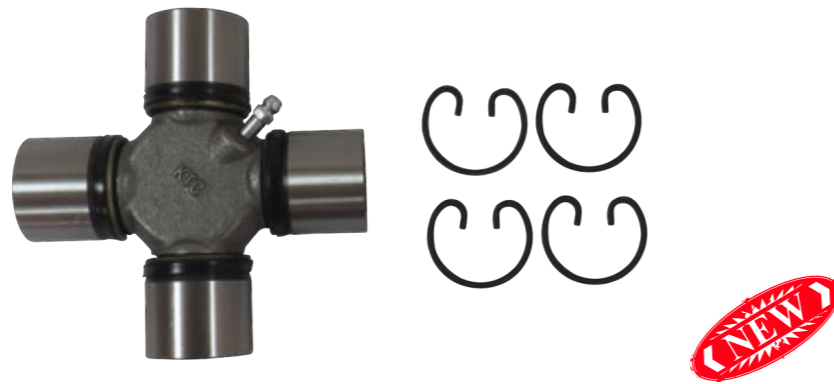
KTC No.	D	L	REPLACES				
			GMB®	GKN®	KOYO®	MATSUBA®	OEM
108GUMZ10	22,52	35	GUMZ-10	-	-	-	3919-89-251

All manufacturers names (GKN®, PRECISION®, ROCKWELL®, SPICER®), numbers, symbols and descriptions are references purposes only. And it is not implied any parts is that of these manufacturers. All efforts have been made to ensure that the information contained here in is correct. KTC Group Equipment & Parts L.L.C can't be held responsible for its accuracy.



KTC No.	D	L	REPLACES			
	(mm)		GKN	GMB	MATSUBA	KOYO
108-GU8130	57	144	HS288	GUM8130	-	-

KTC No.	D	L	REPLACES			
	(mm)		OEM	GMB	MATSUBA	KOYO
108-GUA10	30	82.1	-	-	-	-



KTC No.	D	L	REPLACES			
	(mm)		OEM	GMB	MATSUBA	KOYO
108-GUH74	36.02	115.2	37401-1100	GUH74	-	-

KTC No.	D	L	REPLACES			
	(mm)		OEM	GMB	MATSUBA	KOYO
108-GUM73	27	81.75	GPW18397	GUM73	UJ620	S2782

All manufacturers names (GKN®, GMB®, MATSUBA®, KOYO®), numbers, symbols and descriptions are references purposes only. And it is not implied any parts is that of these manufacturers. All efforts have been made to ensure that the information contained here in is correct. KTC Group Equipment & Parts L.L.C can't be held responsible for its accuracy.



KTC No.	D	L	REPLACES	PRECISION	DESCRIPTION
	(mm)		SPICER		
108-KA588X	22.04	54	811	KA588X	U-J OINT BONDIOLI PAVESSI No. 1

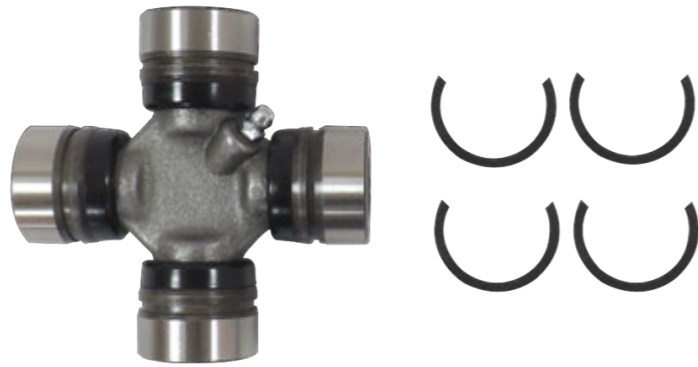


KTC No.	D	L	REPLACES	PRECISION	DESCRIPTION
	(mm)		SPICER		
108-KA591	30.16	80	815	KA591	U-J OINT BONDIOLI No. 5



KTC No.	D(mm)	L(mm)	REPLACE		DESCRIPTION
			PRECISION®	SPICER®	
108-460X	30,16/26,98	92.07/82.00	348	5-460X	U JOINT 460 JAPONES COMBINATION 369 x 331 SPICER 5-460X PRECISION 348

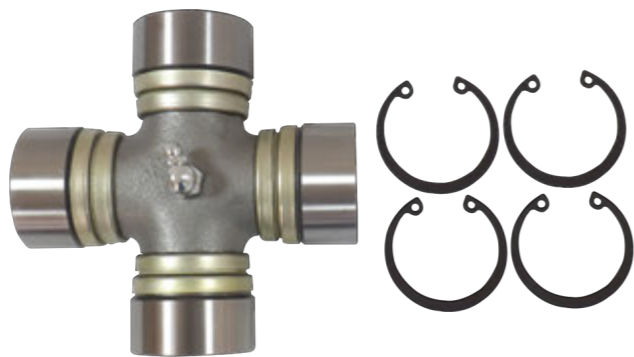
All manufacturers names (PRECISION®, SPICER®), numbers, symbols and descriptions are references purposes only. And it is not implied any parts is that of these manufacturers. All efforts have been made to ensure that the information contained here in is correct. KTC Group Equipment & Parts L.L.C can't be held responsible for its accuracy.



KTC No.	D	O	REPLACES					
			ORIGINAL No	GMB®	GKN®	KOYO®	MATSUBA®	OEM
108GUT20	32	61	04371-36021	GUT20	-	T32921	UJ 234	04371-36021



KTC No.	D	O	REPLACES					
			ORIGINAL No	GMB®	GKN®	KOYO®	MATSUBA®	OEM
108GUT21	29	49	04371-35020	GUT21	-	T2977	UJ 230	04371-35020



KTC No.	D	L	REPLACES					
			ORIGINAL No	GMB®	GKN®	KOYO®	MATSUBA®	OEM
108GU7530	-	-	-	-	-	-	-	-



KTC No.	D	L	REPLACES					
			ORIGINAL No	GMB®	GKN®	KOYO®	SPICER	OEM
108GU7560	-	-	-	-	HS-282	-	12924X	-

All manufacturers names (GKN®, GMB®, KOYO®, MATSUBA®, OEM®), numbers, symbols and descriptions are references purposes only. And it is not implied any parts is that of these manufacturers. All efforts have been made to ensure that the information contained here in is correct. KTC Group Equipment & Parts L.L.C can't be held responsible for its accuracy.



KTC No.	D	L	REPLACES			APPLICATION
			GKN®	GMB®	OEM	
1083147X	-	-	-	-	-	-



KTC No.	D	L	REPLACES			APPLICATION
			GKN®	GMB®	OEM	
10848161P	-	-	-	-	-	SCANIA®

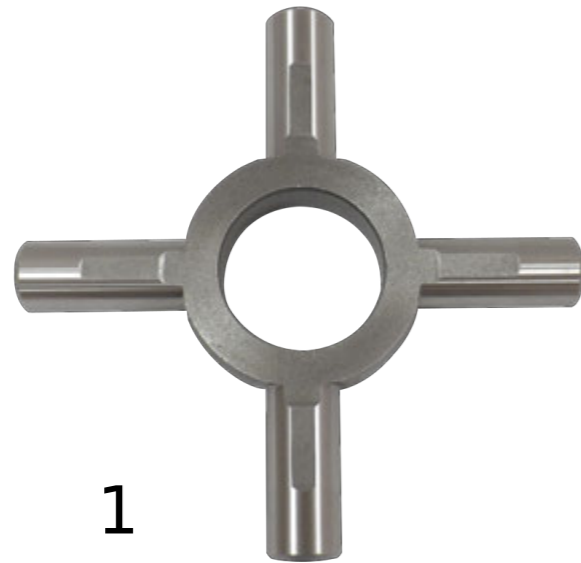


KTC No.	D	L	REPLACES			APPLICATION
			GKN®	GMB®	OEM	
10860195P	-	-	-	-	-	ISUZU® LV-150
10860196P	-	-	-	-	-	ISUZU® LV-150

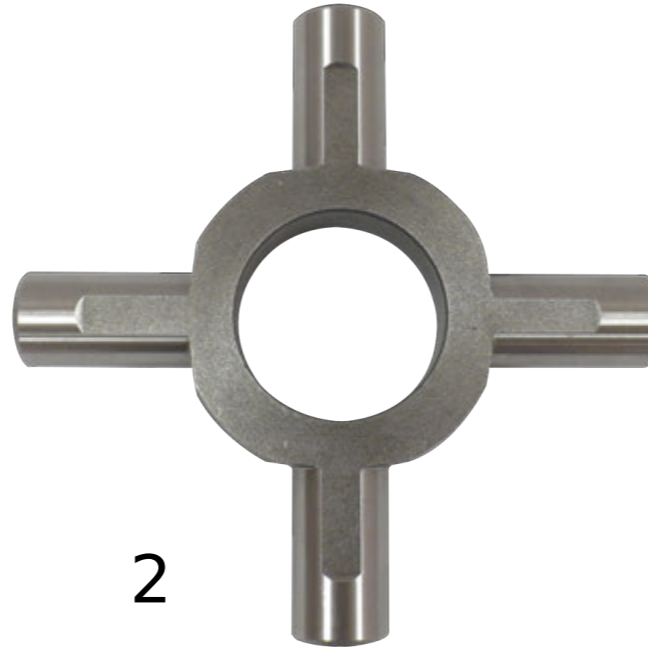


FIG.	KTC No.	D	L	NOTES	APPLICATION
1	108-ST1638	16	38	WITH GREASE FITTING	ISUZU®
2	108-ST1639	16	39		ISUZU®
3	108-ST1640	16	40		ISUZU®
4	108-ST1948P	19	48		KENWORTH®

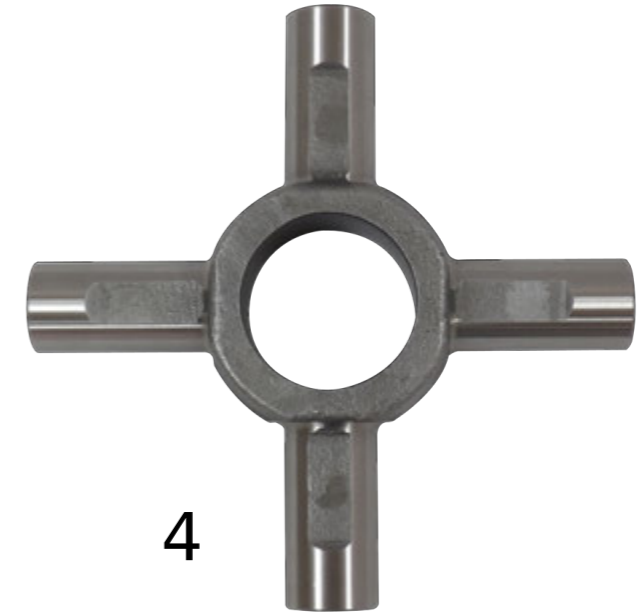
All manufacturers names (GKN®, GMB®, ISUZU®, KENWORTH®, SCANIA®), numbers, symbols and descriptions are references purposes only. And it is not implied any parts is that of these manufacturers. All efforts have been made to ensure that the information contained here in is correct. KTC Group Equipment & Parts L.L.C can't be held responsible for its accuracy.



1



2



4

FIG.	KTC No.	D	L	REPLACES		NOTES
				EATON®	ISUZU®	
1	10938289X	25.35	25.35	38289X	-	For 38.000 Lbs.
2	109107371X	30.04	197.60	107371X	-	For 44.000 Lbs.
3	109108141X	-	-	108141X	-	For 46.000 Lbs.
4	109108067X	25.00	162.00	108067X	1-41521-062-0	For Isuzu® NPR



KTC No.	ISUZU®	DESCRIPTION	MODEL	RELATION
171-1-41210-060-0	1-41210-060-0	RING GEAR & CRIVE PINION SET	ISUZU LV-150	8x41



KTC No.	REPLACES				APPLICATION	MEASURES						TYPE	
	OEM®	MACK®	PAI®	TICUSA®		EATON®	LENGTH (A)		SPLINE (B)		DIAMETER (C)		HOLE No.
							INCHES	mm	No.	O.D			
138-38208	TUAA-4235A	2719-38208	BSH-5552	TC104F	18120,18220,38D	39 3/4"	100.97	16	2.125"	49/64"	8	Straight	
138-56980	-	2719-56980	BSH-5559	TC115D	34DS,17120,17220	40 15/16"	103.99	16	1.975"	17/32"	12	Tapered	
138-62166	2461392	2719-62166	BSH-5564	TC102G	38D,18120,220	41 5/16"	104.93	16	2.125"	41/64"	8	Tapered	
138-65360	B6T-4235A	2719-65360	BSH-5567	-	15200	38 3/16"	97.00	19	1.770"	29/64	8	Tapered	

All manufacturers names(EXCEL®,FULLER®,MACK®,NAVISTAR®,PAI®), numbers, symbols and descriptions are references purposes only. And it is not implied any parts is that of these manufacturers. All efforts have been made to ensure that the information contained here in is correct. KTC Group Equipment & Parts L.L.C can't be held responsible for its accuracy.



KTC No.	SPICER ®	DESCRIPTION
102-B127210-X	HD-481 / B127210-X	13" x 1 1/2" Organic Rigid
102-B127200-X	102200/ B127200-X	13" x 1 3/8" Organic Rigid
102-HD434F	HD-434-F	14" x 1 1/2" Organic Rigid
102-HD434R	HD-434-R	14" x 1 1/2" Organic Rigid
102-128302	128302	14" x 1 3/4" Organic Rigid
102-128303	128303	14" x 1 3/4" Organic Rigid
102-128310	128310	14" x 2" Organic Rigid
102-128311	128311	14" x 2" Organic Rigid
102-128322	128322	15" x 2" Organic Rigid
102-128323	128323	15" x 2" Organic Rigid



KTC No.	SPICER ®	DESCRIPTION
102-CF489	CF-489	13" x 1 1/2" Asbesto 8 Springs
102-CF434	CF-434	14" x 1 1/2" Asbesto 8 Springs
102-128304	128304	14" x 1 3/4" Asbesto 8 Springs
102-128305	128305	14" x 1 3/4" Asbesto 8 Springs
102-128312	128312	14" x 2" Asbesto 8 Springs
102-128313	128313	14" x 2" Asbesto 8 Springs
102-128324	128324	15" x 2" Asbesto 8 Springs
102-128325	128325	15" x 2" Asbesto 8 Springs



KTC No.	SPICER ®	DESCRIPTION
102-128273	128273	14" x 1 3/4" 3 Paddle 8 Springs
102-128274	128274	14" x 1 3/4" 3 Paddle 8 Springs
102-128291	128291	14" x 2" 3 Paddle 8 Springs
102-128292	128292	14" x 2" 3 Paddle 8 Springs



KTC No.	SPICER ®	DESCRIPTION
102-128462	128462	15" x 2" 4 Paddle 7 Springs
102-128463	128463	15" x 2" 4 Paddle 7 Springs



KTC No.	SPICER ®	DESCRIPTION
102-M-1354	M-1354	13" x 1 1/2" 4 Paddle 8 Springs
102-B103126	1023126 / B103126	14" x 1 1/2" 4 Paddle 8 Springs
102-128281	128281	14" x 1 3/4" 4 Paddle 8 Springs
102-128282	128282	14" x 1 3/4" 4 Paddle 8 Springs
102-128229	128229	14" x 2" 4 Paddle 8 Springs
102-128230	128230	14" x 2" 4 Paddle 8 Springs
102-128215	128215	15" x 2" 4 Paddle 8 Springs
102-128216	128216	15" x 2" 4 Paddle 8 Springs



KTC No.	SPICER ®	DESCRIPTION
102-128362	128362	15" x 2" 4 Paddle 9 Springs
102-128363	128363	15" x 2" 4 Paddle 9 Springs



KTC No.	SPICER ®	DESCRIPTION
102-128257	128257	15" x 2" 4 Paddle 10 Springs
102-128258	128258	15" x 2" 4 Paddle 10 Springs

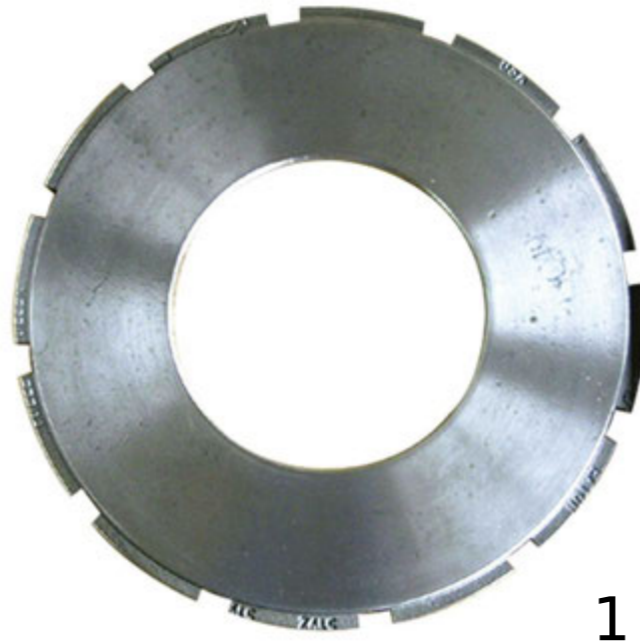


KTC No.	SPICER ®	DESCRIPTION
102-128539	128539	15" x 2" 6 Paddle 10 Springs
102-128540	128540	15" x 2" 6 Paddle 10 Springs



FIG.	KTC No.	SPICER®	DESCRIPTION	COVER	CLUTCH DISC		CLUTCH BEARING	CENTER PLATE	CLAMP LOAD (Lbs)	TORQUE RATING (Lb/ft)
					FRONT	REAR				
1	102-107091-81B	107091-81B	Clutch Assy. 15" x 2" 6S	127597	128257	128258	127859X	113C70	3,600	1,450
2	102-107050-59B	107050-59B	Clutch Assy. 14" x 2" 6S	127390	128229	128230	127859X	113C49	3,200	1,400
3	102-108925-82B	108925-82B	Clutch Assy. 15" x 2" 9S	155698-4	129462	129462	127859X	125327	-	-
4	102-107683-5	107683-5	Clutch Assy. 14" x 1 3/4"	129776-12	128577	-	127860X	-	-	-
5	102-107727-10	107727-10	Clutch Assy. 14" x 1 3/4"	129777-5	128281	128282	127860X	-	-	-

All manufacturers names (SPICER®), numbers, symbols and descriptions are references purposes only. And it is not implied any parts is that of these manufacturers. All efforts have been made to ensure that the information contained here in is correct. KTC Group Equipment & Parts L.L.C can't be held responsible for its accuracy.


1

2

Fig.	KTC No.	SPICER®	APPLICATION
1	102-113C70	113-C-70	Intermediate Plate 14"x 3/4"
2	102-113C49	113-C-49	Intermediate Plate 14"x 5/8"
3	102-125324	125324	Intermediate Plate 15"
4	102-125327	125327	Intermediate Plate 15"
5	102-170C159	170-C-159	Pressure Plate 14"
6	102-170C385	170-C-385	Pressure Plate 15"
7	102-170C452	170-C-452	Pressure Plate 15"

All manufacturers names (SPICER®), numbers, symbols and descriptions are references purposes only. And it is not implied any parts is that of these manufacturers. All efforts have been made to ensure that the information contained here in is correct. KTC Group Equipment & Parts L.L.C can't be held responsible for its accuracy.



KTC No.	REPLACES				SIZES
	MACK®	NAVISTAR®	PAI®	SPICER®	
102-127859X	2104-127859	469236C91	CSL-9780	127859-X	2"
102-127860X	2104-127860X	697934R94	CSL-9780	127860-X	1 3/4"



OIL SEAL Oil Seal Wheel / National® Type

» Miami, FL., U.S.A.

*All dimensions in inches.



KTC No.	REPLACES				DESCRIPTION	BORE DIA.	SEAL O.D	SEAL WIDTH	SHAFT DIA .
	CR PLUS °	CR °	NATIONAL °	STEMCO °					
101-N370001A	35059	35066	370001A	383-8736	Front, Kenworth®, Kodiak®, Dodge®, Ford®, Cargo, Freighliner®, Mack®	4.842	4.848	0,975	3.500
101-N370003A	47695	47697	370003A	390-9098	Rear, Ford®, Kenworth®, Super Brigadier®, Freightliner®	6.311	6.318	1.078	4.765
101-N370005A	-	-	370005A	309-0960	Rear, Chevrolet®, Brigadier®	6.251	6.265	0,605	4.765
101-N370018A	-	-	370018A	-	Rear, Int, Agrale®, Volkswagen®, Ford® Cargo	4.500	4.506	0,605	3.250
101-N370021A	-	-	370021A	309-0964	Rear, Ford®, Dodge®	6.251	6.265	0,610	4.500
101-N370022A	45097	45099	370022A	390-9002	Rear, Mack® Rim 22/28.000 Lbs.	5.750	5.756	0,960	4.500
101-N370023A	-	-	370023A	320-2012	Rear, Ford®, Navistar® 4700, Kodiak®, Dana® Axles 21/ 23.000 Lbs.	5.690	5.706	0,875	3.875
101-N370024A	-	38746	370024A	-	Rear, Kodiak®, Chevrolet® B60 C70	5.501	5.515	0,875	3.875
101-N370025A	42671	42672	370025A	307-0743	Trailer, Dite®, Great Dane®, Utility®	5.999	6.008	0,804	4.625
101-N370031A	42671	42672	370031A	390-9004	Rear, Mack® Rim 20, 44.000 Lbs	6.250	6.256	1.375	4.250
101-N370036A	40133	40136	370036A	372-7098	Rear, Chevrolet® Brigadier, Trailer Dite® , Romarco®	5.757	5.772	0,930	4.000
101-N370047A	-	-	370047A	-	Rear, Int, Agrale®, Volkswagen®, Ford®	4.755	4.761	0,605	3.437
101-N370048A	43763	43764	370048A	380-8064	Front, Chevrolet® Brigadier, Ford®, Mack®, Kenworth®	5.905	5.911	1.000	4.375
101-N370065A	42622	42623	370065A	372-7099	Trailer Inca®, Dite®	6.008	6.022	1.000	4,250
101-N370069A	52664	52658	370069A	392-9048	Rear, Mack® Rim 24, 55.000 Lbs	7.375	7.386	1.000	5.250
101-N370124A	38748	38750	370124A	383-0153	Front, Navistar® 4700, Spicer® Axle	5,374	5,391	0,984	4.500
101-N370131A	45102	45103	370131A	383-0156	Front, Navistar® 4700, Axles FA139 FA339, 14,000 Lbs	5.876	5.892	0,984	4.500
101-N370211A	-	29480	370211A	-	Front, Navistar®, High Temperature (Fluoroelastomer) Kodiak®, FMK	4.725	4.738	0,526	2.948
101-N376590A	42622/3	42627	376590A	372-7099	Trailer Inca® Dite®	6.048	6.048	0,680	4.250

All manufacturers names (AGRALE®, BRIGADIER®, CHEVROLET®, CR®, CR PLUS®, DANA®, DITE®, DODGE®, FORD®, GREAT DANE®, FREIGHLINER®, INCA®, KENWORTH®, KODIAK®, MACK®, NATIONAL®, NAVISTAR®, ROMARCO®, SUPER BRIGADIER®, SPICER®, STEMCO®, UTILITY®, VOLKSWAGEN®), numbers, symbols and descriptions are references purposes only. And it is not implied any parts is that of these manufacturers. All efforts have been made to ensure that the information contained here in is correct. KTC Group Equipment & Parts L.L.C can't be held responsible for its accuracy.



OIL SEAL Oil Seal Wheel / CR Type

» Miami, FL., U.S.A.

* All dimensions in inches.



KTC No.	REPLACES				DESCRIPTION	BORE DIA.	SEAL O.D.	SEAL WIDTH	SHAFT DIA.
	CR PLUS °	CR °	NATIONAL °	STEMCO °					
101-370001A-CR	35059	35066	370001A	383-8736	Front, Kenworth®, Kodiak®, Dodge®, Ford® Cargo, Freightliner®, Mack®	4.842	4.848	0,975	3.500
101-370003A-CR	47695	47697	370003A	390-9098	Rear, Ford®, Kenworth®, Kodiak®, Super Brigadier®, Freightliner®	6.311	6.318	1.078	4.765
101-370005A-CR	-	-	370005A	309-0960	Rear, Chevrolet®, Brigadier®	6.251	6.265	0,605	4.765
101-370018A-CR	-	-	370018A	-	Rear, Int. Agrale®, Volkswagen®, Ford® Cargo	4.500	4.506	0,605	3.250
101-370021A-CR	-	-	370021A	309-0964	Rear, Ford®, Dodge®	6.251	6.265	0,610	4.500
101-370022A-CR	45097	45099	370022A	390-9002	Rear, Mack® Rim 22/28.000 Lbs.	5.750	5.756	0,960	4.500
101-370023A-CR	-	-	370023A	320-2012	Rear, Ford®, Navistar® 4700, Kodiak®, Dana® Axles 21/ 23.000 Lbs.	5.690	5.706	0,875	3.875
101-370024A-CR	-	38746	370024A	-	Rear, Kodiak®, Chevrolet® B60 C70	5.501	5.515	0,875	3.875
101-370025A-CR	42671	42672	370025A	307-0743	Trailer, Dite®, Great Dane®, Utility®	5.999	6.008	0,804	4.625
101-370031A-CR	42671	42672	370031A	390-9004	Rear, Mack® Rim 20, 44.000 Lbs	6.250	6.256	1.375	4.250
101-370036A-CR	40133	40136	370036A	372-7098	Rear, Chevrolet® Brigadier, Trailer Dite®, Romarco®	5.757	5.772	0,930	4.000
101-370047A-CR	-	-	370047A	-	Rear, Int. Agrale®, Volkswagen®, Ford®	4.755	4.761	0,605	3.437
101-370048A-CR	43763	43764	370048A	380-8064	Front, Chevrolet® Brigadier, Ford®, Mack®, Kenworth®	5.905	5.911	1.000	4.375
101-370065A-CR	42622	42623	370065A	372-7099	Trailer Inca®, Dite®	6.008	6.022	1.000	4.250
101-370069A-CR	52664	52658	370069A	392-9048	Rear, Mack® Rim 24, 55.000 Lbs	7.375	7.386	1.000	5.250
101-370124A-CR	38748	38750	370124A	383-0153	Front, Navistar® 4700, Spicer® Axle	5.374	5.391	0,984	4.500
101-370131A-CR	45102	45103	370131A	383-0156	Front, Navistar® 4700, Axles FA139 FA339, 14.000 Lbs	5.876	5.892	0,984	4.500
101-370211A-CR	-	29480	370211A	-	Front, Kodiak®, Navistar®, High Temperature FMK (Fluoroelastomer)	4.725	4.738	0,526	2.948
101-376590A-CR	42622/3	42627	376590A	372-7099	Trailer Inca® Dite®	6.048	6.048	0,680	4.250

All manufacturers names (AGRALE®, BRIGADIER®, CHEVROLET®, CR®, CR PLUS®, DANA®, DITE®, DODGE®, FORD®, GREAT DANE®, FREIGHTLINER®, INCA®, KENWORTH®, KODIAK®, MACK®, NATIONAL®, NAVISTAR®, ROMARCO®, SUPER BRIGADIER®, SPICER®, STEMCO®, UTILITY®, VOLKSWAGEN®), numbers, symbols and descriptions are references purposes only. And it is not implied any parts is that of these manufacturers. All efforts have been made to ensure that the information contained here in is correct. KTC Group Equipment & Parts L.L.C can't be held responsible for its accuracy.



*All dimensions in inches.



KTC No	REPLACES						DESCRIPTION	BORE DIA	SEAL O.D	SEAL WIDTH	SHAF DIA
	NATIONAL®	MACK®	CR®	EATON®	NAVISTAR®	STEMCO®					
101-N415164N	N415164N	2719-119430	-	119430	596144C2	-	Input Shaft, Mack®, Kenworth®, Super Brigadier®, Eaton® 44.000 Lbs	4.376	4.381	625,0	3.375
101-N415983N	N415983N	-	33712	-	596144C2	-	Gearbox Input, Kenworth®, Mack®, Super Brigadier®, Fuller® 910-915-12515-14615	4.499	4.506	468,0	3.750
101-N415991	N415991	88AX440P4	37330	-	478864C1	9050712	Gearbox Output, Kenworth®, Mack®, Brigadier®, Bulldozer, Fuller® 910 915 12515 12610 14615	4.501	4.506	468,0	3.500
101-N417530	N417530	-	-	-	-	-	Replaces 417530	5,376	5,381	437,0	4,500
101-N455003	N455003	-	-	-	-	-	Speed/Pinion, Axle Divisor, Ford® 600 / 700 / 750, Mack®, Kenworth®, Brigadier®, Eje 38.000 Lbs	3.623	3.628	468,0	2.625
101-N455004	N455004	88AX13P3	26209	-	102513H1	-	Axle, Output 38.000 Lbs, Speed Ford® 600/700/750	3.751	3.756	500,0	2.750
101-N455009	N455009	-	27,47	-	-	-	Replaces 455009	3.876	3.881	468,0	2.750
101-N456618	N456618	-	38774	-	-	-	Replaces 456618	5,690	5,695	500,0	3,880
101-N475012N	N475012N	2719-127719	29471	127719	596310C91	2214569	Axle, Divisor, Mack®, Ford® 9000, Axles 38.000 / 40.000 Lbs	4.003	4.008	468,0	2.937
101-N5667	N5667	-	-	-	-	-	Ford® 7000/8000	-	6,102	975,0	3,865
101-N710008	N710008	-	26373	-	-	-	Speed/Pinion, Isuzu® 3100 Encava®	5.751	5.756	840,0	3.000
101-N712937F	N712937	2719-119432	-	119432	596313C91	-	Speed/Pinion, Ford®, Kenworth®, Transmissions Axle 9 ½, Chevrolet® Super Brigadier® 46/48.000 Lbs	4.939	4.944	1.250	2.937
101-N9773F	N9773	2719-127721	-	127721	596309C91	-	Speed/Pinion, Dodge®, Ford® 600, Eje 38/40.000 Lbs	4.564	4.568	718,0	2.625

All manufacturers names (AGRALE®, BRIGADIER®, CHEVROLET®, CR®, CR PLUS®, DANA®, DITE®, DODGE®, FORD®, GREAT DANE®, FREIGHLINER®, INCA®, KENWORTH®, KODIAK®, MACK®, NATIONAL®, NAVISTAR®, ROMARCO®, SUPER BRIGADIER®, SPICER®, STEMCO®, UTILITY®, VOLKSWAGEN®), numbers, symbols and descriptions are references purposes only. And it is not implied any parts is that of these manufacturers. All efforts have been made to ensure that the information contained here in is correct. KTC Group Equipment & Parts L.L.C can't be held responsible for its accuracy.

* All dimensions in inch



Fig.	KTC No.	REPLACES			DESCRIPTION	SHAFT DIA.	BORE DIA.	SEAL WIDTH	NOTE
		EXCEL®	EATON®	NAVISTAR®					
1	101-210736	EE3120	210736	-	Divisor, Input Axle, Eaton® DD/DS 461,521,581,601	3.325	4.715	0.793	-
2	101-210737	EE3130	210737	-	Output Axle, Eaton® DD/DS 461,521, 581,601	2.937	4.008	0.375	-
3	101-210724	EE0724	210724	-	Speed, Differential, Rear, Eaton® RD/RS 461,521,581	2.875	5.080	0.500	-
4	101-K2262	-	K-2262	1681103C91	Gearbox, Eaton® 11715 14715 RT/RTO 6613	-	-	-	Not Include Gaskets
5	101-K2918	-	K-2918	-	Gearbox, Eaton® 14915, Auxiliary Housing RTO/RTLO 14178 / 918/ 16718 / 918 / 18718 / 918 / 20918 / 22918	-	-	-	Not Include Gaskets

All manufacturers names (EATON®, EXCEL®, NAVISTAR®), numbers, symbols and descriptions are references purposes only. And it is not implied any parts is that of these manufacturers. All efforts have been made to ensure that the information contained here in is correct. KTC Group Equipment & Parts L.L.C can't be held responsible for its accuracy.

*All dimensions in inches.



2



4



5

FIG.	KTC No.	REPLACES				DESCRIPTION	SHAFT DIA.	BORE DIA.	SEAL WIDTH
		ISUZU®	NATIONAL®	SABO®	VDC®				
1	101-69104	-		00188	69104	Front Wheel Agrale® Volkswagen® 8-140 00/02 Ford® Cargo 815	2.256	3.307	0.315
2	101-69107	-	-	-	69107	Front Wheel Agrale® Volkswagen® Mercedes Benz® 814/914/915	2.953	3.740	0.512
3	101-69025	8-94248-117-1	474230	-	69025	Front Wheel Isuzu® NKR 97/ NPR 91/ J AC	2.874	3.544	0.315
4	101-97023977-1	8-97023-977-1	-	-	-	Rear Wheel Isuzu® Years 00/	3.125	4.437	0.938
5	101-94336316-1	8-94336-316-1	-	-	-	Front Wheel Isuzu Years 93/	-	-	-

All manufacturers names (AGRALE®, FORD®, ISUZU®, MERCEDES BENZ®, VOLKSWAGEN®), numbers, symbols and descriptions are references purposes only. And it is not implied any parts is that of these manufacturers. All efforts have been made to ensure that the information contained here in is correct. KTC Group Equipment & Parts L.L.C can't be held responsible for its accuracy.


1

2

3

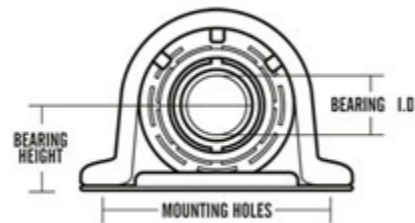
4


FIG.	KTC No.	REPLACES						DESCRIPTION	BEARING	BEARING I.D	BEARING HEIGHT
		AEC®	EXCEL®	FEDERAL MOGUL®	M.BENZ®	NAVISTAR®	SPICER®				
1	112-210088-1X	-	EM-69060	HB88107-B	-	386418C91	210088-1X	(1310 SERIES) W / COVERS	88107B	1,3780"	2 1/4"
1	112-210433-1X	-	EM-69040	HB88508	-	315442C91	210433-1X	(1410 SERIES) W / COVERS	88508	1,5748"	2 7/16"
1	112-210084-2X	DS-18	EM-69030	HM88509-A	-	-	210084-2X	(1650 SERIES) W / COVERS	88509	1,7717"	2 11/16"
1	112-210121-1X	DS-20		HB88510	-	283069C93	210121-1X	(1700/1710 SERIES) W/COVERS	88510	1,9685"	2 25/32"
1	112-210661-1X	DS-21	EM-69010	HB88512-AHD	-	283071C91	210661-1X	(1800/1810 SERIES) W/COVERS	88512	2,3622"	3 3/8"
1	112-211139X	-	-	-	-	-	211139X	-	88507	1.375"	2.25"
1	112-211590-1X	-	-	-	-	-	211590-1X	-	88506	1.181"	1.94"
2	112-902010T-X	-	JCB-6899	HB210866-1X	-	-	902010T-X	(1410 SERIES) W / COVERS	88508A	1,5625"	2 1/4"
3	112-276010	-	-	-	9014110312 9014110412 2D0521351	-	-	MERCEDEZ BENZ® SPRINTER	6208	1,7716"	0,748"
4	112-6700	-	-	-	-	-	-	ISUZU®5-37510-007-0	-	-	-

All manufacturers names (AEC®,NAVISTAR®,EXCEL®, FEDERAL MOGUL®,MERCEDez BENZ®,SPICER®,ISUZU®), numbers, symbols and descriptions are references purposes only. And it is not implied any parts is that of these manufacturers. All efforts have been made to ensure that the information contained herein is correct. KTC Group cannot be held responsible for its accuracy.

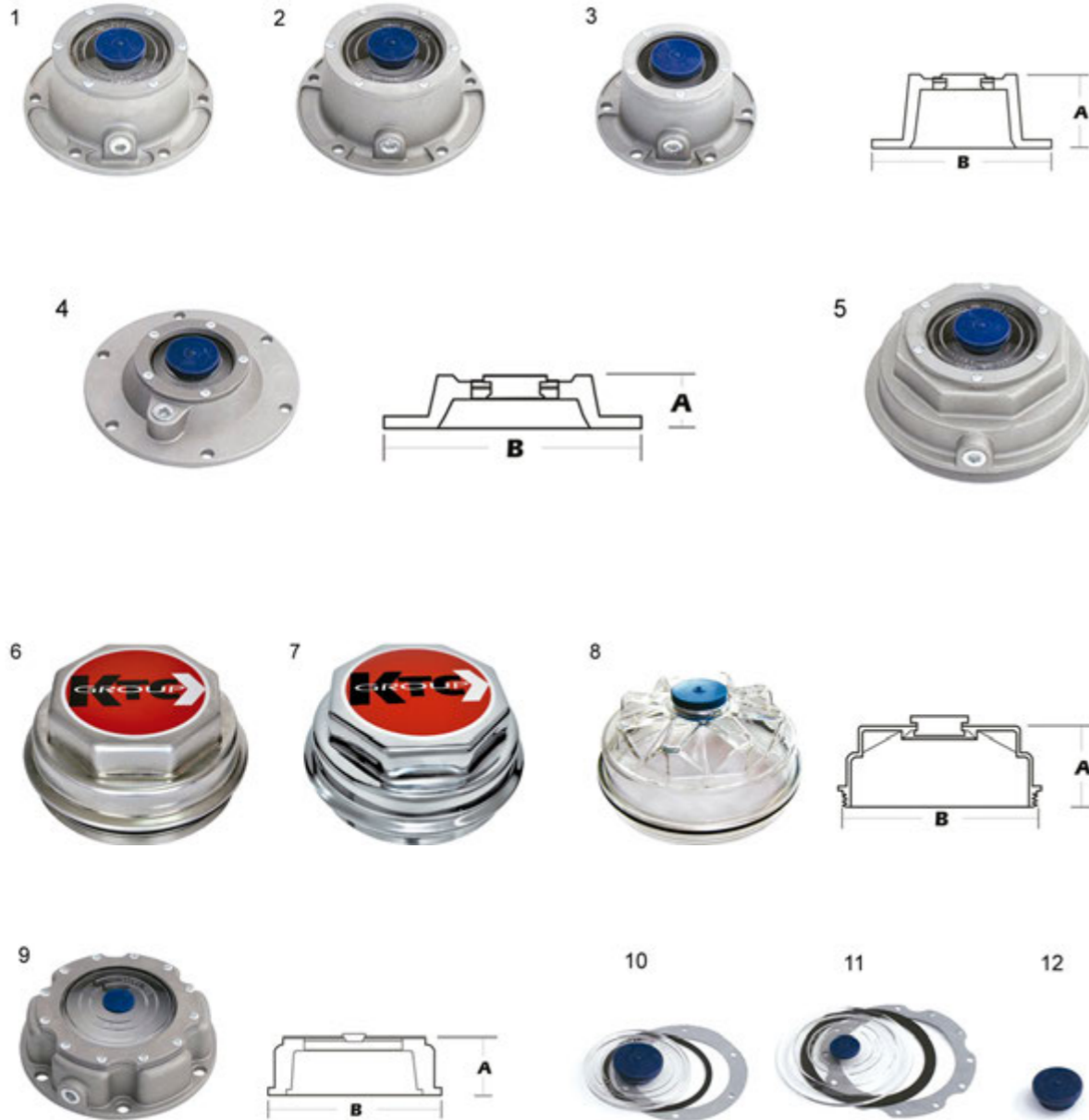


FIG.	KTC	REPLACES				BOLT CIRCLE	No. OF BOLTS	A HEIGHT (in)	B DIAMETER (in)
		MACK®	NAVISTAR®	STEMCO®	PAI®				
1	119-4009	7843-3434009	2500700C1	343-4009	AHS-9961	5-1/2in	6	2 11/16	6 1/4
2	119-4013	7843-3434013	-	343-4013	AHS-9922	5-1/2in	5	2 11/16	6 1/4
3	119-4024	7843-3434024	281132C92	343-4024	AHS-9904	4-1/2in	6	2 5/8	5 1/4
4	119-4025	-	-	343-4025	AHS-9960	5-7/8in	6	1 3/8	6 1/2
5	119-4075	7843-3434075	-	343-4075	AHS-9906	-	-	2 5/16	6 1/4
6	119-4075M	-	-	-	-	-	-	3	6 3/16
7	119-4075M-C	-	-	-	-	-	-	3	6 3/16
8	119-4975	7843-3404975	-	340-4975	THC-9918	-	-	2 3/4	6 1/4
9	119-4249	7843-3434249	510589C93	343-4249	AHS-9925	5-1/2in	6	1 13/16	6 3/16
10	119-KIT1	-	-	359-5995	AHK-9882	Kit Hubcap(Used w/ 119-4075,119-4013,119-4009)			
11	119-KIT2	-	-	359-5912	AHK-9883	Kit Hubcap (Used w/ 119-4249)			
12	119-PLUG1	-	-	359-5990	AHS-9961-002	Plug			

All manufacturers names (MACK®,NAVISTAR®,STEMCO®, PAI®,), numbers, symbols and descriptions are references purposes only. And it is not implied any parts is that of these manufacturers. All efforts have been made to ensure that the information contained here in is correct. KTC Group Equipment & Parts L.L.C can't be held responsible for its accuracy.